



**TIVH Series
IsoVu™ Measurement System
User Manual**



071-3556-00



**TIVH Series
IsoVu™ Measurement System
User Manual**

Register now!

Click the following link to protect your product.

▶ www.tek.com/register

www.tek.com

071-3556-00

Copyright © Tektronix. All rights reserved. Licensed software products are owned by Tektronix or its subsidiaries or suppliers, and are protected by national copyright laws and international treaty provisions.

Tektronix products are covered by U.S. and foreign patents, issued and pending. Information in this publication supersedes that in all previously published material. Specifications and price change privileges reserved.

TEKTRONIX and TEK are registered trademarks of Tektronix, Inc.

ISOVU is a trademark of Tektronix Inc.

TEKVPI is a registered trademark of Tektronix, Inc.

Contacting Tektronix

Tektronix, Inc.
14150 SW Karl Braun Drive
P.O. Box 500
Beaverton, OR 97077
USA

For product information, sales, service, and technical support:

- In North America, call 1-800-833-9200.
- Worldwide, visit www.tek.com to find contacts in your area.

Warranty

Tektronix warrants that this product will be free from defects in materials and workmanship for a period of one (1) year from the date of shipment. If any such product proves defective during this warranty period, Tektronix, at its option, either will repair the defective product without charge for parts and labor, or will provide a replacement in exchange for the defective product. Parts, modules and replacement products used by Tektronix for warranty work may be new or reconditioned to like new performance. All replaced parts, modules and products become the property of Tektronix.

In order to obtain service under this warranty, Customer must notify Tektronix of the defect before the expiration of the warranty period and make suitable arrangements for the performance of service. Customer shall be responsible for packaging and shipping the defective product to the service center designated by Tektronix, with shipping charges prepaid. Tektronix shall pay for the return of the product to Customer if the shipment is to a location within the country in which the Tektronix service center is located. Customer shall be responsible for paying all shipping charges, duties, taxes, and any other charges for products returned to any other locations.

This warranty shall not apply to any defect, failure or damage caused by improper use or improper or inadequate maintenance and care. Tektronix shall not be obligated to furnish service under this warranty a) to repair damage resulting from attempts by personnel other than Tektronix representatives to install, repair or service the product; b) to repair damage resulting from improper use or connection to incompatible equipment; c) to repair any damage or malfunction caused by the use of non-Tektronix supplies; or d) to service a product that has been modified or integrated with other products when the effect of such modification or integration increases the time or difficulty of servicing the product.

THIS WARRANTY IS GIVEN BY TEKTRONIX WITH RESPECT TO THE PRODUCT IN LIEU OF ANY OTHER WARRANTIES, EXPRESS OR IMPLIED. TEKTRONIX AND ITS VENDORS DISCLAIM ANY IMPLIED WARRANTIES OF MERCHANTABILITY OR FITNESS FOR A PARTICULAR PURPOSE. TEKTRONIX' RESPONSIBILITY TO REPAIR OR REPLACE DEFECTIVE PRODUCTS IS THE SOLE AND EXCLUSIVE REMEDY PROVIDED TO THE CUSTOMER FOR BREACH OF THIS WARRANTY. TEKTRONIX AND ITS VENDORS WILL NOT BE LIABLE FOR ANY INDIRECT, SPECIAL, INCIDENTAL, OR CONSEQUENTIAL DAMAGES IRRESPECTIVE OF WHETHER TEKTRONIX OR THE VENDOR HAS ADVANCE NOTICE OF THE POSSIBILITY OF SUCH DAMAGES.

[W2 – 15AUG04]

Table of Contents

Important safety information	v
General safety summary	v
Service safety summary	vii
Terms in this manual	viii
Symbols and terms on the product	viii
Preface	ix
Key features	ix
Laser certification	ix
Product description	x
Models	xi
Supported oscilloscopes	xii
Operating information	1
Accessories	1
Operating considerations	2
Controls and indicators	7
Connecting to a circuit	10
Self calibration	13
AutoZero	14
Menu button	14
Offset correction	15
1X/2X Range	17
Auto Range	18
Selecting a sensor tip cable	19
Output clamping	20
Sensor tip loading	20
Probe compensation	21
Deskew	21
Input offset	21
Input coupling (AC or DC)	22
Application examples	23
Example 1: High-side V_{GS} and V_{DS} measurement	23
Example 2: High-side V_{DS} measurement	25
Example 3: High-side drain current measurement	26
Example 4: ESD troubleshooting	27
Reference information	29
Specifications	29
Dimensional drawings	38
IsoVu measurement system block diagram	41
Tripods	42

Connecting the sensor tip cables	44
Installing the probe tip adapters	45
Installing the square pins on the circuit board	48
User service	51
Service offerings	51
Preventive maintenance	51
Performance verification procedures	52
Propagation delay	53
Troubleshooting and error conditions	56
Repack the measurement system for shipment	58
Test record	59
Appendix A: Remote programming	61
CH<n>:PRObe?	61
CH<n>:PRObe:AUTOZero EXECute	61
CH<n>:PRObe:COMMAND “CLAMP”, {“ON” “OFF”}	61
CH<n>:PRObe:SET {“CLAMP ON” “CLAMP OFF”}	61
CH<n>:PRObe:SET {“CLAMPING ON” “CLAMPING OFF”}	62
CH<n>:PRObe:FORCEDRange <NR3>	62
CH<n>:PRObe:GAIN?	62
CH<n>:PRObe:ID { :SERnumber :TYPE }?	63
CH<n>:PRObe:PROPDELay?	63
CH<n>:PRObe:RECDESkew?	63
CH<n>:PRObe:RESistance?	63
CH<n>:PRObe:UNIIts?	63
CH<n>:PROBEControl {AUTO MAN}	64
CH<n>:PROBEFunc:EXTAtten <NR3>	64
CH<n>:PROBEFunc:EXTDBatten?	64
Appendix B: Compliance information	65
Safety compliance	65
Environmental considerations	67
Index	

List of Figures

Figure i: TIVH Series IsoVu Measurement System	x
Figure 1: Maximum safe handling limits for common mode voltages between the sensor head and earth ground.....	5
Figure 2: RF burn hazard zone around the sensor head	6
Figure 3: Controller indicators and buttons.....	7
Figure 4: Labels on the sensor head	9
Figure 5: Sensor tip cable top and bottom labels	9
Figure 6: Connect the Comp box to the oscilloscope.....	11
Figure 7: Connecting the sensor tip cable to the sensor head.....	11
Figure 8: Connect the sensor head to the flexible tripod	12
Figure 9: Probe Setup menu.....	14
Figure 10: Digital filter aliasing	15
Figure 11: Digital filter aberrations (about 2.5% of V_{p-p})	16
Figure 12: Digital filter aberrations after disabling offset correction	17
Figure 13: Top sensor tip labels.....	17
Figure 14: Bottom sensor tip labels	20
Figure 15: Half-bridge circuit showing the gate, source, and drain of the high-side FET.....	23
Figure 16: High-side turn-on characteristics	24
Figure 17: V_{GS} and V_{DS} switching characteristics.....	26
Figure 18: High side current shunt	26
Figure 19: SMT resistor model	27
Figure 20: ESD discharge test example.....	28
Figure 21: Typical CMRR values for 1X SMA cable and MMCX series probe tip cables	33
Figure 22: Typical CMRR values for square pin probe tips	34
Figure 23: Maximum differential input voltage vs. frequency for MMCX series probe tips	35
Figure 24: Maximum differential input voltage vs. frequency for square pin probe tips	35
Figure 25: Differential input impedance vs. frequency chart for the MMCX series probe tips	36
Figure 26: Differential input impedance vs. frequency chart for the square pin probe tips.....	37
Figure 27: Sensor head dimensions with probe tip cover	38
Figure 28: Sensor head dimensions without probe tip cover	39
Figure 29: Controller dimensions.....	39
Figure 30: Comp box dimensions	40
Figure 31: Probe tip adapter dimensions.....	40
Figure 32: Block diagram	41
Figure 33: Installing the flexible tripod under the DUT.....	42
Figure 34: Connecting the sensor head to the top of the DUT with the flexible tripod.....	42
Figure 35: Connecting to an adapter on the circuit board with the probe tip tripod	43
Figure 36: Square pin series sensor tip cables.....	44
Figure 37: Lining up the MMCX-to-0.1-inch (2.54 mm) adapter on the circuit board.....	45

Figure 38: Lining up the MMCX-to-0.062-inch (1.57 mm) adapter on the circuit board	46
Figure 39: Pushing the MMCX-to-0.062-inch (1.57 mm) adapter in place.....	46
Figure 40: Pushing the MMCX-to-0.1-inch (2.54 mm) adapter in place.....	47
Figure 41: Adapter clearance requirements	48
Figure 42: Removing the header from square pins on the circuit board.....	49
Figure 43: Using the soldering aide to install the square pins on the circuit board	50
Figure 44: Propagation delay measurement	56

List of Tables

Table 1: Standard accessories	1
Table 2: Optional accessories	2
Table 3: Input specifications.....	3
Table 4: Environmental considerations	3
Table 5: Controller indicators and buttons.....	7
Table 6: Sensor tip selection table.....	19
Table 7: Input offset.....	21
Table 8: Warranted specifications.....	29
Table 9: Electrical specifications	29
Table 10: Physical specifications	37
Table 11: Required equipment for performance verification	52
Table 12: Problems and possible solutions	56
Table 13: Test record.....	59
Table 14: Sensor tip cables and dynamic ranges.....	62

Important safety information

This manual contains information and warnings that must be followed by the user for safe operation and to keep the product in a safe condition.

To safely perform service on this product, additional information is provided at the end of this section. (See page vii, *Service safety summary*.)

General safety summary

Use the product only as specified. Review the following safety precautions to avoid injury and prevent damage to this product or any products connected to it. Carefully read all instructions. Retain these instructions for future reference.

Comply with local and national safety codes.

For correct and safe operation of the product, it is essential that you follow generally accepted safety procedures in addition to the safety precautions specified in this manual.

The product is designed to be used by trained personnel only.

Only qualified personnel who are aware of the hazards involved should remove the cover for repair, maintenance, or adjustment.

Before use, always check the product with a known source to be sure it is operating correctly.

This product is not intended for detection of hazardous voltages.

Use personal protective equipment to prevent shock and arc blast injury where hazardous live conductors are exposed.

While using this product, you may need to access other parts of a larger system. Read the safety sections of the other component manuals for warnings and cautions related to operating the system.

When incorporating this equipment into a system, the safety of that system is the responsibility of the assembler of the system.

To avoid fire or personal injury

Connect and disconnect properly. Do not connect or disconnect sensor tip cables, test leads, or accessories while they are connected to a voltage source. Use only test leads and accessories supplied with the product, or indicated by Tektronix to be suitable for the product.

Observe all terminal ratings. To avoid fire or shock hazard, observe all ratings and markings on the product. Consult the product manual for further ratings information before making connections to the product. Do not exceed the Measurement Category (CAT) rating and voltage or current rating of the lowest rated individual component of a product or accessory.

Do not apply a potential that exceeds the maximum rating.

Do not operate without covers. Do not operate this product with covers or panels removed, or with the case open. Hazardous voltage exposure is possible.

Avoid exposed circuitry. Do not touch exposed connections and components when power is present.

Do not operate with suspected failures. If you suspect that there is damage to this product, have it inspected by qualified service personnel.

Disable the product if it is damaged. Do not use the product if it is damaged or operates incorrectly. If in doubt about safety of the product, turn it off and disconnect it from the instrument. Clearly mark the product to prevent its further operation.

Before use, inspect accessories for mechanical damage and replace when damaged. Do not use them if they are damaged, or if there is exposed metal.

Examine the exterior of the product before you use it. Look for cracks or missing pieces.

Use only specified replacement parts.

Do not operate in wet/damp conditions. Be aware that condensation may occur if a unit is moved from a cold to a warm environment.

Do not operate in an explosive atmosphere.

Keep product surfaces clean and dry. Remove the input signals before you clean the product.

Provide a safe working environment. Always place the product in a location convenient for viewing the display and indicators.

Be sure your work area meets applicable ergonomic standards. Consult with an ergonomics professional to avoid stress injuries.

Sensor tip cables

Maintain safe clearance from the sensor head and sensor tip cable while connected to the energized circuit as recommended in this manual.

Remove the sensor tip cable and adapters from the test circuit when not in use.

Leave the sensor tip cable connected to the sensor head when not in use.

Use only correct Measurement Category (CAT), voltage, temperature, altitude, and amperage rated sensor tip cables and accessories for any measurement.

Beware of high voltages. Understand the voltage ratings for the product you are using and do not exceed those ratings. It is important to know and understand the maximum measurement voltage rating of the product. The voltage rating depends

on the measurement category, the instrument, and your application. Refer to the Specifications section of the manual for more information.



WARNING. *To prevent electrical shock, do not exceed the maximum measurement or maximum voltage category.*

Connect and disconnect properly.



CAUTION. *To avoid damage to the equipment, de-energize the test circuit before connecting or disconnecting the sensor tip cable.*

Service safety summary

The *Service safety summary* section contains additional information required to safely perform service on the product. Only qualified personnel should perform service procedures. Read this *Service safety summary* and the *General safety summary* before performing any service procedures.

To avoid electric shock. Do not touch exposed connections.

Do not service alone. Do not perform internal service or adjustments of this product unless another person capable of rendering first aid and resuscitation is present.

Disconnect power. To avoid electric shock, switch off the product power and disconnect the power cord from the mains power before removing any covers or panels, or opening the case for servicing.

Use care when servicing with power on. Dangerous voltages or currents may exist in this product. Disconnect power, remove battery (if applicable), and disconnect test leads before removing protective panels, soldering, or replacing components.

Verify safety after repair. Always recheck ground continuity and mains dielectric strength after performing a repair.

Terms in this manual

These terms may appear in this manual:



WARNING. *Warning statements identify conditions or practices that could result in injury or loss of life.*



CAUTION. *Caution statements identify conditions or practices that could result in damage to this product or other property.*

Isolated, electrically floating. The terms *isolated*, *electrically floating*, and *galvanically isolated* are used in this document to indicate a measurement where there is no direct conduction path to earth ground.

Symbols and terms on the product

These terms may appear on the product:

- DANGER indicates an injury hazard immediately accessible as you read the marking.
- WARNING indicates an injury hazard not immediately accessible as you read the marking.
- CAUTION indicates a hazard to property including the product.



When this symbol is marked on the product, be sure to consult the manual to find out the nature of the potential hazards and any actions which have to be taken to avoid them. (This symbol may also be used to refer the user to ratings in the manual.)

The following symbol(s) may appear on the product:



CAUTION
Refer to Manual



WARNING
High Voltage

Preface

This document provides information for installing and using the Tektronix TIVH Series IsoVu Measurement System. The measurement system offers a galvanically isolated measurement solution for accurately resolving high bandwidth, high voltage differential signals up to 2500 Vpk in the presence of large common mode voltages with the best in class common mode rejection performance across its bandwidth.

Key features

- New IsoVu technology - galvanically isolated, floating, measurement system
 - Bandwidth from DC to 800 MHz (sensor tip cable dependent)
 - 160 dB (100 million to 1 common mode rejection ratio) from DC to 1 MHz, 120 dB (1 million to 1) at 100 MHz, 80 dB (10,000 to 1) at 800 MHz
- Differential voltages up to ± 2500 Vpk (sensor tip cable dependent)
- Large common mode voltage range up to 60 kV peak
- High impedance input up to 40 M Ω (sensor tip cable dependent)
- Large input offset range up to ± 2500 Vpk (sensor tip cable dependent)
- DC and AC input coupling

Laser certification

CLASS 1 LASER PRODUCT

This product complies with 21 CFR 1040.10 and 1040.11 except for deviations pursuant to Laser Notice No. 50, dated June 24, 2007.



CAUTION. *Use of controls or adjustments for performance of procedures other than those specified herein may result in hazardous radiation exposure.*

Product description

The Tektronix TIVH Series IsoVu Measurement System offers a completely galvanically isolated (optical isolation) system. The system consists of a sensor tip cable, a sensor head, a controller, and a TekVPI interface as shown in the following figure. Hazardous voltages in the sensor head are completely isolated from the controller and oscilloscope by optical fiber cables.

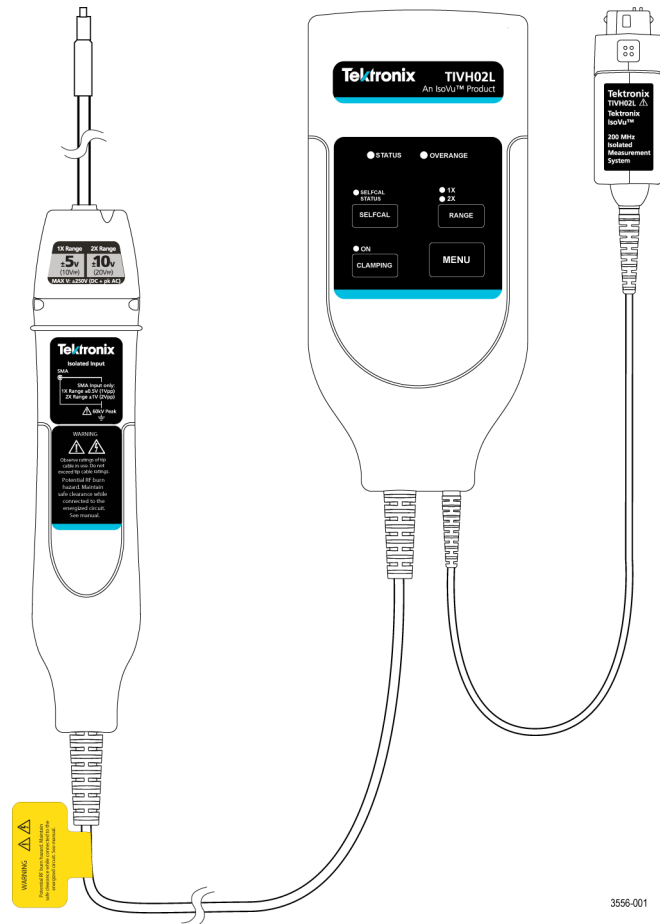


Figure i: TIVH Series IsoVu Measurement System

- Comp box** The TekVPI compensation box (Comp box) connects the measurement system to one of the input channels on the oscilloscope. Power is supplied to the measurement system through the TekVPI interface of the oscilloscope.
- Controller** The controller connects to the oscilloscope through a coaxial cable and the Comp box. Buttons and indicators on the controller provide a means for controlling the measurement system and indicating the overall status.

Sensor head The sensor head provides an interface between the device-under-test (DUT) and the controller. It contains an electro-optic converter that converts the electrical signal from the sensor tip cables to an optical signal sent to the controller.

Sensor tip cables Several sensor tip cables options are available to connect the sensor head to the DUT:

- MMCX10X, 10X tip cable connector
- MMCX50X, 50X tip cable connector
- MMCX250X, 250X tip cable connector
- SQPIN100X, 100X 0.1-inch (2.54 mm) square pin connector
- SQPIN500X, 500X 0.1-inch (2.54 mm) square pin connector
- WSQPIN1000X, 1000X 0.2-inch (5.08 mm) square pin connector
- WSQPIN2500X, 2500X 0.2-inch (5.08 mm) square pin connector

Models

The TIVH Series IsoVu Measurement System includes the following models:

- TIVH08. Tektronix IsoVu 800 MHz High Voltage with 3 m cable
- TIVH08L. Tektronix IsoVu 800 MHz High Voltage with 10 m cable
- TIVH05. Tektronix IsoVu 500 MHz High Voltage with 3 m cable
- TIVH05L. Tektronix IsoVu 500 MHz High Voltage with 10 m cable
- TIVH02. Tektronix IsoVu 200 MHz High Voltage with 3 m cable
- TIVH02L. Tektronix IsoVu 200 MHz High Voltage with 10 m cable

Supported oscilloscopes

The measurement system can be used with the following Tektronix oscilloscopes. For oscilloscopes not included in this list, contact your local Tektronix representative.

- 5 Series MSO
- MDO3000 Series (WSQPIN tip cables require V1.26 or later oscilloscope firmware)
- MDO4000C Series (WSQPIN tip cables require V1.06 or later oscilloscope firmware)
- MSO/DPO/MDO4000B Series (WSQPIN tip cables are not compatible)
- MSO/DPO5000B Series
- DPO7000C Series

In addition to the above oscilloscopes, the measurement system can also be used with the following oscilloscopes with a TCA-VPI50 adapter.

- MSO/DPO70000C series
- MSO/DPO70000DX series
- DPO70000SX series

Operating information

Accessories

This section lists the standard and optional accessories available for the measurement system.

Standard accessories

Table 1: Standard accessories

Accessory	Tektronix part number
IsoVu product carrying case, soft case	016-2108-xx
IsoVu accessories carrying case, soft case	016-2110-xx
50X Sensor tip cable (MMCX-to-SMA)	MMCX50X
500X Sensor tip cable (Square pin-to-SMA)	SQPIN500X
5/16-inch SMA wrench/driver tool	003-1947-xx
Probe tip adapter (blue), MMCX to 0.1-inch (2.54 mm) square pin (0.025-inch (0.635 mm) square pins)	131-9717-xx
Flexible tripod with quick release	352-1171-xx
Flexible tripod feet, 3 each	344-0693-xx
Probe tip tripod support with living hinge, 2 each	352-1170-xx
User manual (this document)	071-3556-xx
Certificate of traceable calibration	—

Optional accessories Additional accessories, such as other sensor tip cables are available. The following table lists the optional accessories.

Table 2: Optional accessories

Accessory	Tektronix part number
1X Sensor tip cable (MMCX-to-SMA)	IVTIP1X ¹
10X Sensor tip cable (MMCX-to-SMA)	MMCX10X
250X Sensor tip cable (MMCX-to-SMA)	MMCX250X
100X Sensor tip cable (Square pin-to-SMA)	SQPIN100X
1000X Sensor tip cable (Square pin-to-SMA)	WSQPIN1000X
2500X Sensor tip cable (Square pin-to-SMA)	WSQPIN2500X
Solder aid for 0.062-inch (1.57 mm) pitch square pins (0.016 - 0.018-inch (0.4 - 0.46 mm) square pin installation tool)	003-1946-xx
DUT Interface pin kit with (qty 20) 0.018-inch (0.46 mm) round solder-in round pins	020-3169-xx
Probe tip adapter (white), MMCX to 0.062-inch (1.57 mm) square pin (0.016 - 0.018-inch (0.4 - 0.46 mm) square pins)	131-9677-xx

¹ The electrical performance of this tip will vary widely based on the source impedance of the circuit being measured.

Operating considerations

Read this section before installing your measurement system to be aware of the operating requirements and clearance requirements including possible hazardous areas when the measurement system is connected to the DUT.

Measurement system handling best practices

The measurement system consists of quality parts and should be treated with care to avoid damage or degrading the performance due to mishandling. Consider the following precautions when handling the fiber-optic cables and sensor tip cables:

- Do not crush, crimp, or sharply bend the fiber-optic cable. Avoid making loops in the fiber-optic cable smaller than 5 inches (12.7 cm).
- Do not twist the fiber-optic cable; twisting the cable will stress the optical fibers.
- Do not allow kinks or knots to develop in the fiber-optic cable.
- Avoid putting tension on the fiber-optic cable.
- Do not pull or jerk the fiber-optic cable, especially when kinks or knots are present.
- Do not drop the sensor head or controller assembly since damage and misalignment of the internal optical components can result.

- Avoid over-bending the sensor tip cables; do not exceed the minimum bend radius of 2.0 inches (5.1 cm).
- Avoid crushing the cables by accidentally running over the cable with a chair wheel or by dropping a heavy object onto the cable.
- Never support the weight of the sensor head or controller by the fiber-optic cable.
- Store the measurement system in the supplied carrying case when not in use.

Environmental requirements

The following tables describe specifications and maximum operating environmental ratings for the measurement system when connected to a DUT and a Tektronix oscilloscope.

Table 3: Input specifications

Feature	Description
Common mode	60 kV peak ¹
Differential mode	Sensor tip cable dependent (See the Sensor tip cable voltage rating below.)

¹ This product is designed to be used in the circuit with expected transient overvoltage up to 5000 V peak.

Table 4: Environmental considerations

Feature	Description
Temperature	
Controller	
Operating	0 °C to 40 °C (32 °F to 104 °F)
Non-operating	-40 °C to 70 °C (-40 °F to 158 °F)
Sensor head	
Operating	0 °C to 70 °C (32 °F to 158 °F)
Non-operating	-40 °C to 70 °C (-40 °F to 158 °F)
Sensor tip cables/adapters	
Operating and non-operating	-40 °C to 85 °C (-40 °F to 185 °F)
Humidity	
Controller	
Operating	5% to 85% RH (Relative Humidity), at up to 40 °C (104 °F), non-condensing
Non operating	5% to 85% RH (Relative Humidity), at up to 40 °C (104 °F) 5% to 45 % RH above 40 °C (104 °F) up to 70 °C (158 °F), non-condensing

Table 4: Environmental considerations (cont.)

Feature	Description
Sensor head	
Operating	5% to 80% RH (Relative Humidity), at up to 40 °C (104 °F) 5% to 45 % RH above 40 °C (104 °F) up to 70 °C (158 °F), non-condensing
Non operating	5% to 85% RH (Relative Humidity), at up to 40 °C (104 °F) 5% to 45 % RH above 40 °C (104 °F) up to 70 °C (158 °F), non-condensing
Sensor tip cables/adapters	
Operating	5% to 80% RH (Relative Humidity), at up to 40 °C (104 °F) 5% to 45 % RH above 40 °C (104 °F) up to 85°C (185 °F), non-condensing
Non operating	5% to 85% RH (Relative Humidity), at up to 40 °C (104 °F) 5% to 45 % RH above 40 °C (104 °F) up to 70 °C (158 °F), non-condensing
Altitude	
Operating	3000 m (9843 ft.)
Non operating	12,000 m (39370 ft.)

Clearance requirements

The unique common mode voltage range of the measurement system allows it to be used in the presence of high frequency/high voltage common mode signals. It is important to observe all precautions while using this product.



WARNING. *RF burns can occur while using this measurement system. The system is intended to isolate the operator from hazardous input voltages (common voltages); the plastic case of the sensor head and the shield on the sensor tip cable do not supply safe isolation.*

Maintain the safe clearance from the sensor head and sensor tip cable while the measurement system is connected to the energized circuit as recommended in this document. (See Figure 2 on page 6.) Do not access the RF Burn Hazard Zone while taking measurements on a live circuit.



WARNING. *RF burns can occur while using this measurement system. Anyone making measurements that might come within the RF burn regions indicated in the following figure should be familiar with the hazards of working with signals in these regions and take appropriate action, such as RF shielding for the DUT.*

While measuring high frequency common mode signals, there is a risk of RF burns. Refer to the following derating curve to identify the danger areas. Measuring common mode signals within the gray shaded area can result in RF burns within 1 m (40 in.) of the sensor head and earth ground.

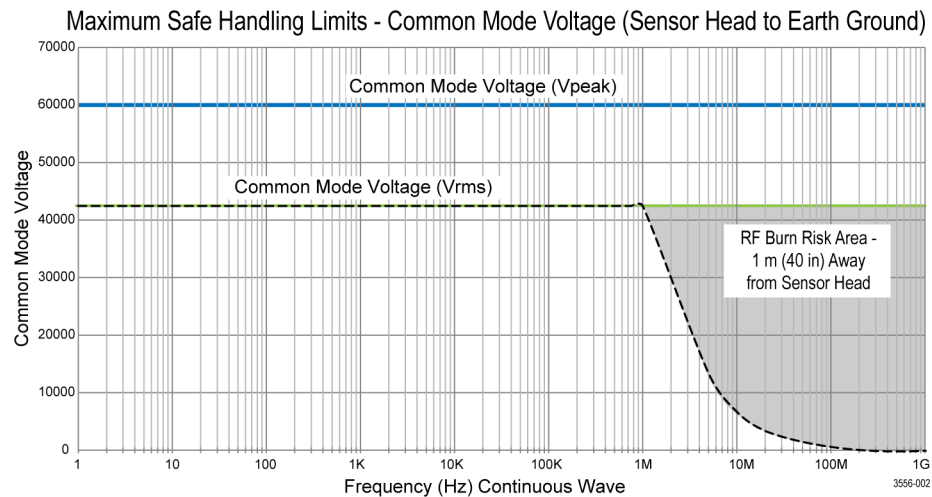
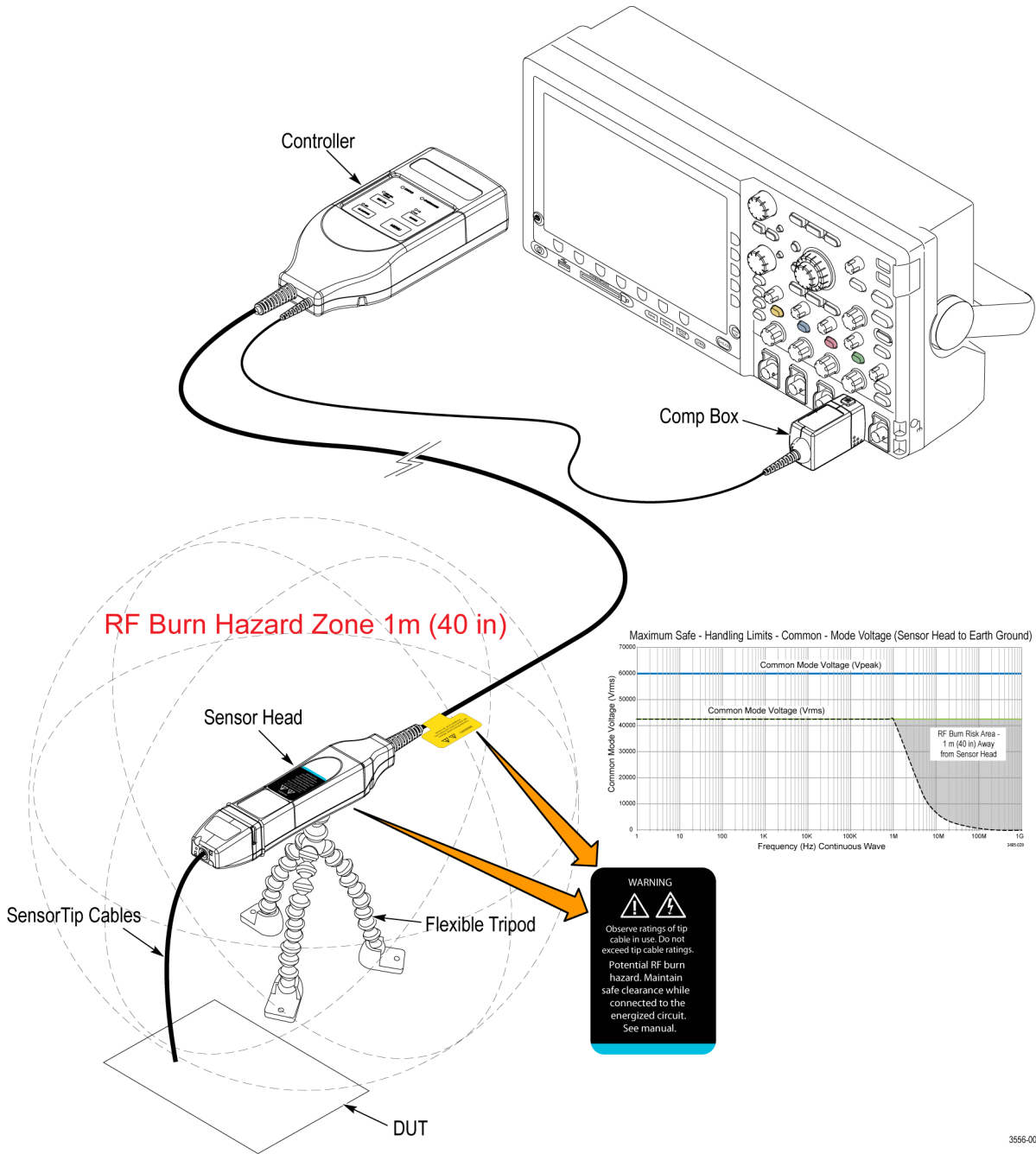


Figure 1: Maximum safe handling limits for common mode voltages between the sensor head and earth ground.

The following figure shows the components of the measurement system and the potential RF burn area when working with hazardous voltages.



3556-003

Figure 2: RF burn hazard zone around the sensor head

Controls and indicators

Controller The following figure shows the indicators and buttons on the controller; their functions are described in the following table.

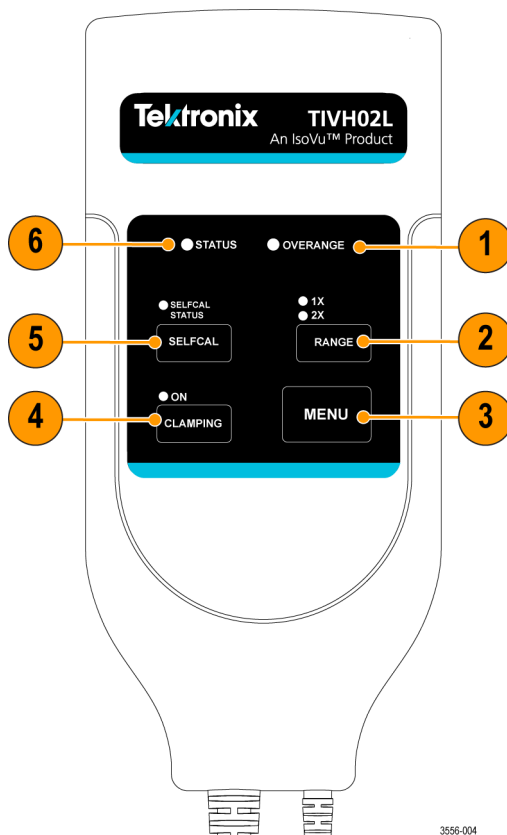


Figure 3: Controller indicators and buttons

Table 5: Controller indicators and buttons

Item	Description
1	OVERANGE Indicator. This red LED indicates if the DC/low frequency differential voltage applied to the sensor head or attached sensor tip cable has exceeded the maximum specified input voltage levels.
2	RANGE indicator. The two LEDs indicate the differential input range setting. RANGE button. Push this button to toggle between one of two differential input voltage ranges.
3	MENU button. Push this button to view the Probe Control menu on the oscilloscope display.

Table 5: Controller indicators and buttons (cont.)

Item	Description
4	<p>CLAMPING indicator. This LED indicates whether the output clamping is enabled.</p> <hr/> <p>CLAMPING button. Push this button to enable or disable the output clamping feature.</p>
5	<p>SELF CAL indicator. This LED indicates the self calibration status.</p> <ul style="list-style-type: none"> ■ Solid green. The self calibration has passed. ■ Flashing orange. The self calibration is in progress. ■ Solid red. The self calibration has failed. ■ Solid Orange. The self calibration has not been run or is questionable. <hr/> <p>SELF CAL button. Push this button to start the self calibration routine.</p>
6	<p>STATUS indicator. This LED indicates the status of the measurement system:</p> <ul style="list-style-type: none"> ■ Solid green. The unit has powered on and passed the power-on self tests and is in normal operation. ■ Flashing green. The unit has not completed the power-up sequence. This is typically due to a communication fault between the host oscilloscope and the IsoVu unit. Disconnect the TekVPI comp box and then reattach the comp box. ■ Solid or flashing red. Error condition that requires the unit to be sent to Tektronix for service. ■ Flashing red/yellow. The unit has failed the power on self tests. Cycle the power; if the problem persists, the unit needs to be sent to Tektronix for service.

Sensor head Labels on the sensor head provide high-level specifications for connecting to the DUT. They also provide reminders of the potential RF burn hazards while connected to the DUT.

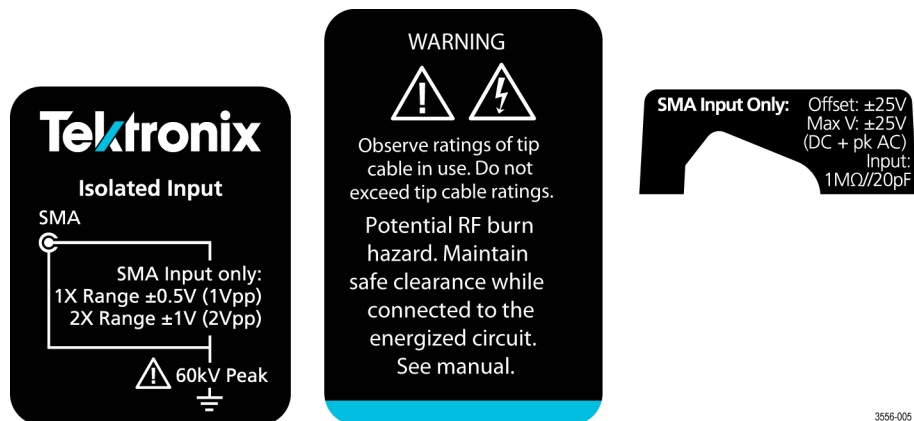


Figure 4: Labels on the sensor head

Sensor tip cables

Each sensor tip cable has a set of labels on the top and bottom. The top labels provide reminders of the maximum differential input voltage range for each tip cable. The bottom labels include the name of the tip cable and the differential input resistance and capacitance for the tip cable (differential loading).

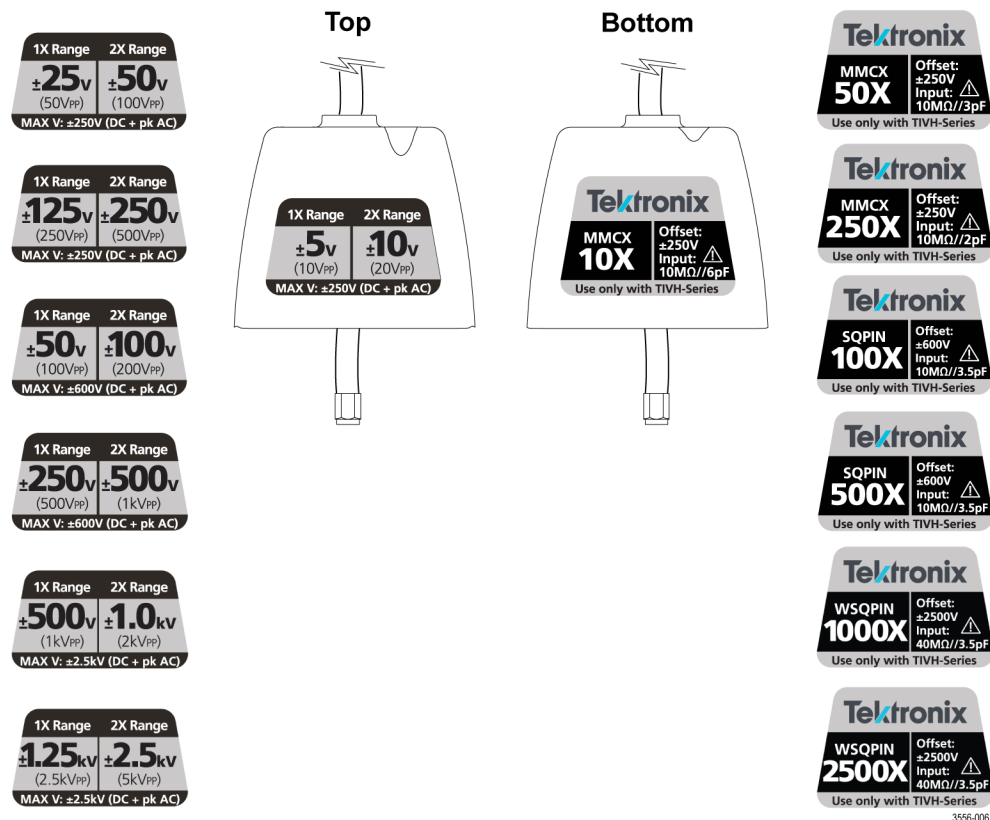


Figure 5: Sensor tip cable top and bottom labels

Connecting to a circuit



WARNING. *This measurement system contains laser sources; exposing these laser sources may cause laser exposure. Except for the sensor tip cables on the sensor head, do not remove any plastic or metallic covers from the sensor head or controller or attempt to disassemble the product.*



WARNING. *Do not connect the measurement system to an energized circuit to avoid the risk of shock. Always de-energize the circuit-under-test before installing or removing the tip cable from the circuit-under-test. The plastic case of the sensor head and the shield tip of the sensor cable do not supply the isolation.*



WARNING. *To avoid the risk of electrical shock or RF burns while the DUT is energized, do not touch the sensor head or sensor tip cable while taking measurements. Always keep a 1 m (40 in.) clearance from the sensor head during the measurement. (See Figure 2 on page 6.)*

Be sure to check the maximum ratings and derating curve for more information on the RF burn hazard zone. (See Figure 1 on page 5.)



CAUTION. *To avoid possible damage to the equipment, do not connect the coaxial (common) shield of the sensor tip cable or SMA input to the high impedance portion of a circuit. The additional capacitance can cause circuit damage. Connect the coaxial (common) shield to the low impedance section of the circuit.*

NOTE. *Touching the sensor head or sensor tip cable when measuring a high frequency common mode signal increases the capacitive coupling and can degrade the common mode loading on the circuit-under-test.*



WARNING. *To prevent the arc flash caused by a different potential, do not place the sensor head or sensor tip cable on the circuit that has the different voltage.*

The following steps describe the process for connecting the measurement system between a Tektronix oscilloscope and the DUT.

1. Verify the DUT is not connected to an energized circuit.
2. Connect the Comp box to one of the channels on the oscilloscope.

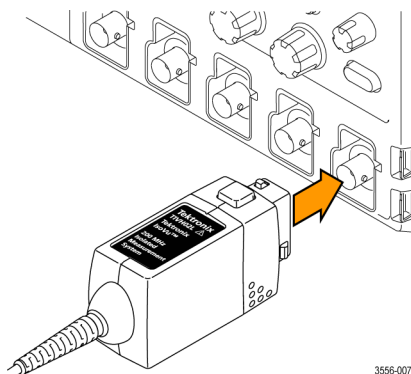


Figure 6: Connect the Comp box to the oscilloscope

3. Refer to the following figure and install the sensor tip cable to the sensor head.
 - a. Line up the sensor tip cable with the sensor head.
Take care to avoid bending or twisting the sensor tip cable assembly during this process.
 - b. Connect the SMA connector of the sensor tip cable to the sensor head. Use the accessories wrench to tighten the SMA cable to 4 to 5-in lbs. Use the adjustment tool that was shipped with your system.
 - c. Press the sensor tip cable housing against the sensor head and then tighten the two screws to 3 to 5-in lbs. Use the adjustment tool that was shipped with your system.

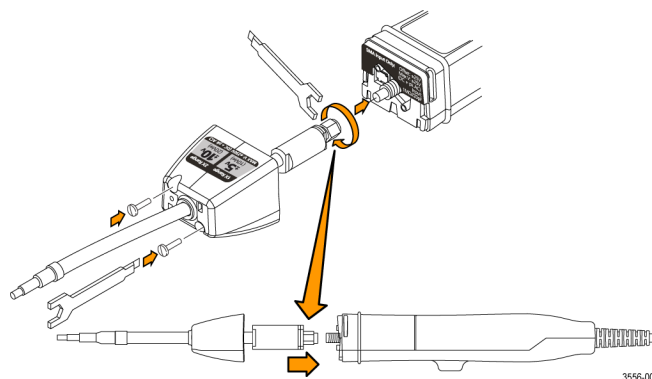


Figure 7: Connecting the sensor tip cable to the sensor head

4. Connect the sensor head to the flexible tripod or a similar support.

This support keeps the sensor head steady reducing the potential mechanical stresses at the electrical connection point of the DUT. The support also keeps the sensor head away from surrounding circuits and conductive objects to minimize the parasitic capacitive coupling to these surroundings.

NOTE. *The mating thread in the sensor head is UNC $\frac{1}{4}$ -20. If you use a different support, make sure that mating thread is UNC $\frac{1}{4}$ -20.*

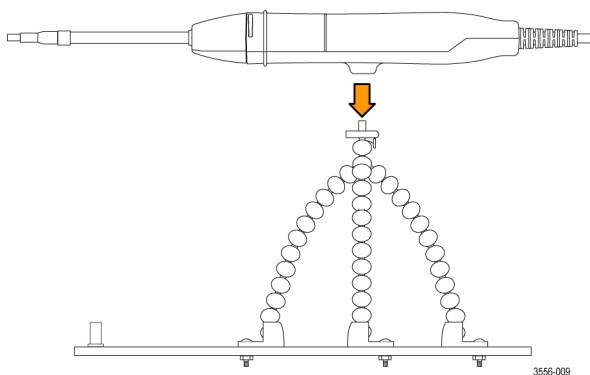


Figure 8: Connect the sensor head to the flexible tripod

NOTE. *To obtain the most accurate measurement, allow the measurement system to warm up for 20 minutes. Then perform the self calibration before connecting the tip cable to the DUT and taking the measurement.*

5. Connect the sensor tip cable end to the DUT. If you are using MMCX sensor tip cable, connect it to an MMCX connector on the DUT or to a square pin adapter on the DUT. The adapters connect to square pins with either 0.100-inch (2.54 mm) spacing or 0.062-inch (1.57 mm) spacing. (See Figure 35 on page 43.) If you are using one of the square pin sensor tip cables, connect it directly to the square pins on the DUT. (See page 44, *Connecting the sensor tip cables.*)
6. Set up the controls on the oscilloscope.
7. Apply power to the DUT to take the measurement.

Self calibration

Press the SELF CAL button on the controller to adjust the operating point of the measurement system for the current range and clamp setting. (This function is not available in the Probe Setup menu of the oscilloscope.)

NOTE. *Make sure there is no differential voltage present at the sensor tip cable when performing the self calibration.*

When you power on the measurement system, the SELF CAL status indicator on the controller is orange, indicating that the operating point of the measurement system has not been optimized. As a result, the accuracy of the measurement system might be degraded. The SELF CAL sequence should always be run on the system after it is first powered on and has warmed up for 20 minutes. After pushing the SELF CAL button, the indicator blinks orange during the self calibration process; it turns solid green when the operation completes or solid red when the operation fails.

There are situations when further self calibration is required. The SELF CAL status indicator turns orange to indicate when this is necessary:

- The measurement system is first attached to the oscilloscope.
- Changes are made to the range (1X|2X) or clamp (ON|OFF) setting.
- The temperature in the sensor head changes more than 10 °C.
- The internal compensation adjustments have shifted outside their normal operating ranges.
- The sensor tip cable is changed.

Programming

Users wanting to initiate the self calibration through the programmatic interface must configure the measurement system to perform a self calibration every time it receives the AutoZero command. To link these functions, hold the MENU button down and momentarily press the SELF CAL button. The OVERRANGE indicator should blink red twice. This mode is non-volatile, and it also changes the operation of the AutoZero button in the Probe Setup menu of the oscilloscope. Restore the original operation by repeating the MENU-SELF CAL button pushes. In this case the OVERRANGE indicator will blink once.

AutoZero

When the displayed waveform is not centered correctly (for example, due to a small DC offset error), you might need to press the AutoZero button in the Probe Setup menu of the oscilloscope. This might be necessary for the first time after the self calibration operation has completed. Make sure there is no differential signal present at the sensor tip cable.

Menu button

Press the MENU button on the controller to view the Probe Setup menu on the oscilloscope, similar to the following figure.

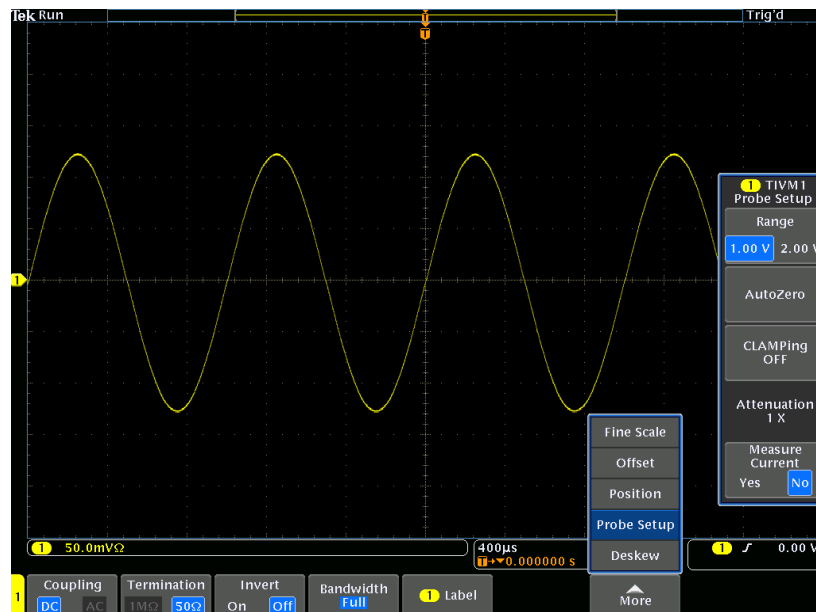


Figure 9: Probe Setup menu

Use the buttons on the oscilloscope to change the probe setups. Some of the functions are the same as pushing the buttons on the controller, such as turning clamping on or off, or setting the input ranges.

Offset correction

The measurement system uses state-of-the-art technology that allows the DUT to be totally isolated from the oscilloscope. This results in a very large common mode rejection ratio (CMRR) and lets you see small signals that would otherwise be obscured by the high common mode interference.

The TIVH Series products implement an offset correction algorithm to minimize any drift in the system due to changes in temperature or fiber movement. The offset correction algorithm maintains a constant DC level for the displayed on-screen signal.

One of the components used for offset correction is a digital low-pass filter. Normally, the frequency of the signal is high enough that the operation of the filter is transparent. However, at low frequencies special care must be taken to prevent aberrations from being introduced.

When attempting to capture a signal that has a frequency near 43.5 Hz, 87.0 Hz, or 130.5 Hz, the display might show aliasing. If you cannot avoid these frequencies, the offset correction should be disabled. The sample rate of the digital filter was selected to not alias at 50 Hz or 60 Hz.

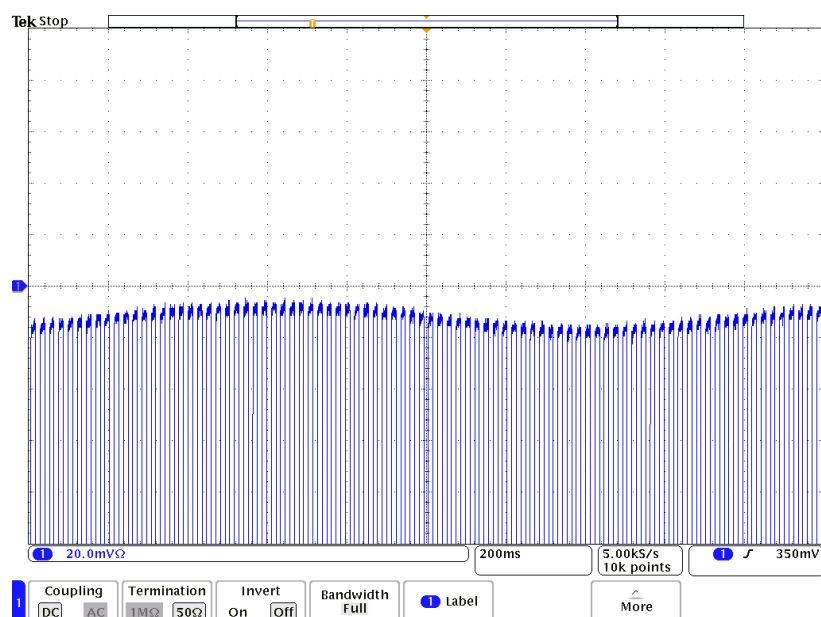


Figure 10: Digital filter aliasing

To disable the offset correction algorithm, hold down the MENU button on the controller and momentarily press the CLAMPING button. The OVERRANGE indicator on the controller should blink two times. To re-enable the correction, repeat the operation; the OVERRANGE indicator should blink once. Turning off the correction is temporary; when the measurement system is removed/re-attached, the offset correction is re-enabled.

Another source of aberrations is introduced when the signal is below the cutoff frequency of the digital filter (5.0 Hz). The following figure shows a close-up view of the front edge of a 0.1 Hz 800 mV_{p-p} square wave. These aberrations are also created by the digital filter.

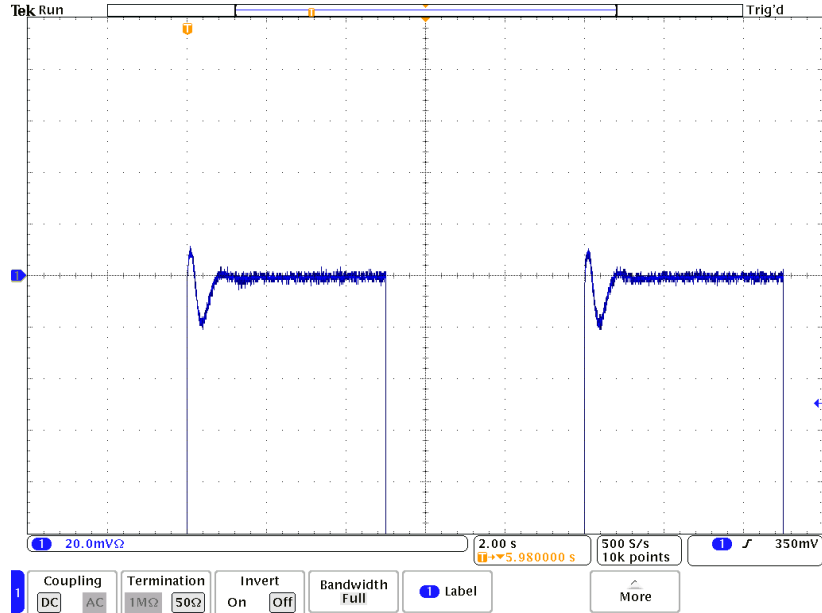


Figure 11: Digital filter aberrations (about 2.5% of V_{p-p})

The following figure shows the aberrations after the offset correction has been disabled. When the offset correction is disabled, the system no longer corrects for long-term drift due to temperature change and fiber movement.

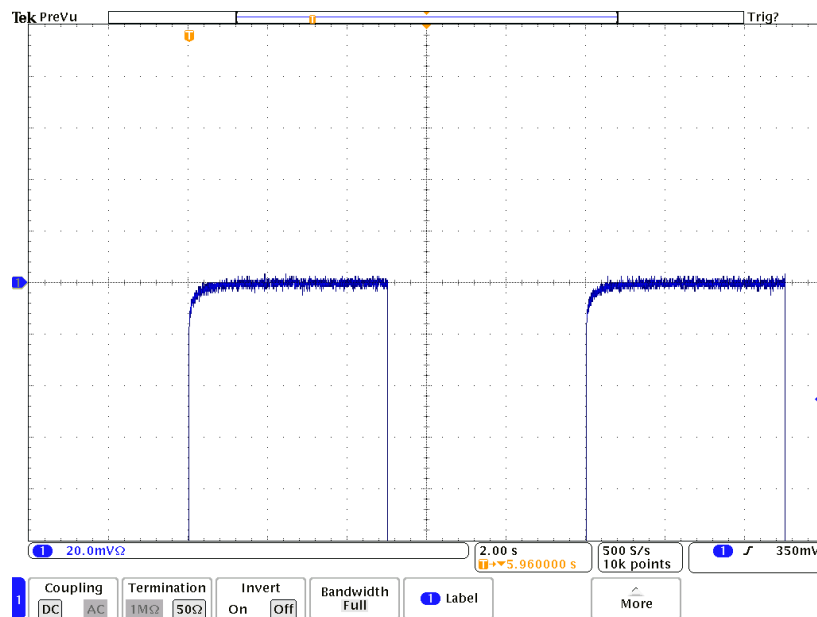


Figure 12: Digital filter aberrations after disabling offset correction

1X/2X Range

The top label of each sensor tip cable (MMCX10X, MMCX50X, MMCX250X, SQPIN100X, SQPIN500X, WSQPIN1000X, WSQPIN2500X) shows the dynamic range as a \pm peak-to-peak voltage (with the voltage shown in parenthesis).

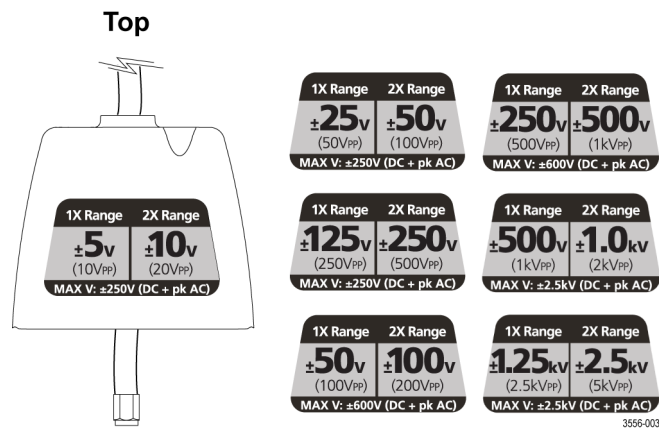


Figure 13: Top sensor tip labels

For example, the MMCX10X tip has a dynamic range of $10 V_{p-p}$ when the 1X Range is selected. This means that you can display a signal with a $\pm 5 V$ differential voltage. When the 2X Range is selected, the dynamic range increases from $10 V_{p-p}$ to $20 V_{p-p}$ ($\pm 10.0 V$). Refer to the *Linear differential input voltage range* in the specifications table for more information.



CAUTION. *To avoid damaging the probe, do NOT exceed the Peak Voltage rating. The Maximum Non-Destruct Voltage limit (Peak Voltage) does not increase when the 2X Range is selected. For example, with the MMCX10X, the $\pm 250 V_{pk}$ limit is the same for both the 1X or 2X Range.*

Auto Range

By default, the MSO/DPO5000, DPO7000, and MSO/DPO70000 Series Oscilloscopes select the 1X or 2X Range automatically when you change the V/div setting. This hides the complexity of selecting the range from casual users. However, there are combinations of Range and V/div settings that cannot be reached when Auto Range is selected. For these situations, select Manual Range when full flexibility is desired.

Selecting a sensor tip cable



CAUTION. Avoid over-voltage conditions that can damage or degrade the sensor head input termination by selecting the correct sensor tip cable. Selecting the correct sensor tip cable attenuation factor is crucial to ensure that the sensor head input termination is not degraded or damaged by an over-voltage condition. Select the sensor tip cable that will provide the lowest attenuation possible for the signal being measured.

When selecting a sensor tip cable for a particular application, consider the following questions:

- What is the maximum RMS/Peak Voltage at the test point being measured (for example, under a fault condition)?
- What is the minimum differential loading (input resistance) that my circuit can tolerate?
- How large of a signal do I want to display at one time on the oscilloscope?
- What sensitivity do I need (for example, the minimum V/div setting)?

The following table will help you select the correct sensor tip. Start at the top of the table and work down. Choose the first tip that meets all of your criteria.

Table 6: Sensor tip selection table

Sensor tip	Most sensitive V/div setting ¹	Differential input specifications		
		Linear voltage range ²	Maximum non-destruct voltage (DC + pk AC) ³	Differential input resistance
WSQPIN2500X	2.5 V	±2500 V (5 kV _{P-P})	±2500 V	40 MΩ
WSQPIN1000X	1.0 V	±1000 V (2 kV _{P-P})	±2500 V	40 MΩ
SQPIN500X	500 mV	±500 V (1 kV _{P-P})	±600 V	10 MΩ
SQPIN100X	100 mV	±100 V (200 V _{P-P})	±600 V	10 MΩ
MMCX250X	250 mV	±250 V (500 V _{P-P})	±250 V	10 MΩ
MMCX50X	50 mV	±50 V (100 V _{P-P})	±250 V	10 MΩ
MMCX10X	10 mV	±10 V (20 V _{P-P})	±250 V	10 MΩ

¹ On 1X range

² On 2X range

³ (See page 35, *Maximum differential input voltage vs. frequency derating graphs.*)

Output clamping

The measurement system has a selectable output clamping feature. Push the button on the controller to enable or disable the output clamping feature. When enabled (indicator is on), the output clamping limits the output voltage swing of the measurement system into the oscilloscope input. It allows you to increase the vertical sensitivity without over-driving or saturating the oscilloscope input.

Sensor tip loading

Each of the sensor tip cables (MMCX10X, MMCX50X, MMCX250X, SQPIN100X, SQPIN500X, WSQPIN1000X, WSQPIN2500X) has a differential input resistance listed on the bottom labels as shown in the following figure.

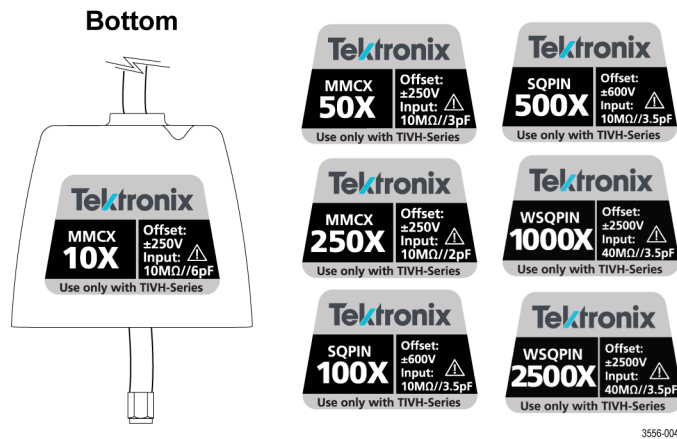


Figure 14: Bottom sensor tip labels

Refer to the *Input resistance/capacitance* section in the specifications table for more information. The sensor tip cables are specially designed to act as a common mode choke that helps reduce the common mode loading.

NOTE. *The coaxial (common) shield of the sensor tip cable should always be connected to the lowest impedance point (usually a circuit common or power supply rail) in the circuit-under-test (relative to the sensor tip cable/center conductor) to obtain the most accurate waveform.*

Probe compensation

The DPO7000 and MSO/DPO70000 Series oscilloscopes have a Compensate Probe feature accessible from the Probe Setup window. Pressing this button always results in a failure when using these oscilloscopes because of an incompatibility between the oscilloscope and the TIVH system. The accuracy of the TIVH system is still guaranteed on these oscilloscopes even though the Compensate Probe feature fails.

Deskew

Each oscilloscope family has a unique way of allowing you to adjust the timing relationship between signals acquired between different probes. Consult the user manual or online help of the oscilloscope for specific directions needed to deskew the probe. The 3 m and 10 m measurement systems have a propagation delay of approximately 35 ns and 68 ns respectively. The actual propagation delay is measured on each measurement system and is stored within each unit.

Input offset

The measurement system provides a user-adjustable, input referred offset voltage. This allows you to view a portion of the signal that is off-screen. One of the controls on the oscilloscope can be assigned this function.

The minimum/maximum offset is different for each sensor tip cable. It is the same when the 1X or 2X Range is selected; it is also the same for all V/div settings. Refer the following input offset table.

Table 7: Input offset

Sensor tip cable	Input offset voltage
MMCX10X	±250 V
MMCX50X	±250 V
MMCX250X	±250 V
SQPIN100X	±600 V
SQPIN500X	±600 V
WSQPIN1000X	±2500 V
WSQPIN2500X	±2500 V

Input coupling (AC or DC)

The DC input coupling setting on the oscilloscope menu provides a direct, DC coupled, electrical path in the sensor head; it accepts all types of signals, including unchanging DC voltages, time-varying DC voltages, AC, and combinations of AC and DC.

When DC input coupling is enabled on the oscilloscope, the offset range is only dependent on the tip cable attenuation.

The DC Reject input coupling setting on the oscilloscope menu provides an AC-only path in the sensor head, removing DC offset from any mixed signal to view the AC component of the signal. DC reject is useful when you measure small amplitude signals superimposed on a large differential offset component. When DC Reject is enabled, the offset range is not only dependent on the tip cable attenuation, but also depends on the oscilloscope Volts/Div scale factor.

Application examples

The following examples are provided to help you become familiar with the TIVH Series IsoVu measurement system and to achieve the best performance for your application.

Example 1: High-side V_{GS} and V_{DS} measurement

Advancements in the components used in switching power supplies have made characterizing the performance of these power supplies increasingly difficult and challenging. A particularly challenging measurement is measuring the high-side V_{GS} and V_{DS} in a half bridge. To accurately make this measurement, an exceptionally good CMRR is required from the test system, especially for measuring the high-side V_{GS} . The following figure shows an example of this circuit.

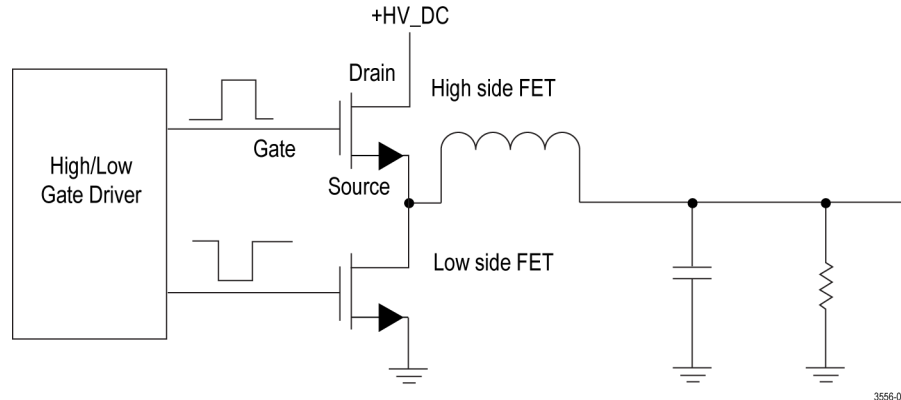


Figure 15: Half-bridge circuit showing the gate, source, and drain of the high-side FET

In this type of circuit, the gate-source voltage is of interest because the rate at which the device switches is determined by the gate drive characteristics. The reference node for this measurement is the high-side source node, which switches between the input supply voltage and the local PCB ground during operation. In a measurement system without sufficient CMRR, this rapidly changing common mode voltage results in interference which obscures the measurement. It is important to note that the CMRR for all measurement systems is frequency dependent; however, the frequency that is critical for this measurement is not the switching frequency, but the frequency corresponding to the edge rate. For example, to accurately characterize a power supply with a switching frequency of 100 kHz and an edge rate of 1 ns, a system with good CMRR at 350 Mhz is necessary because of the edge speed.

In this example, the gate drive voltage could be about 5 V but usually has some ringing and overshoot which are important to characterize. For this measurement, it is appropriate to use a 10X tip with a 10 V_{p-p} input (on the 1X range) so that the signal is fully resolved and is within the dynamic range of the measurement system.

To get the best CMRR from your TIVH Series IsoVu measurement system, pay careful attention when connecting the measurement system to the DUT. This connection should preserve the signal fidelity and shield the signal from unwanted interference. To achieve the best performance from the measurement system, use an MMCX connector as close to the test point as possible. The MMCX connectors are available from a number of vendors and are relatively inexpensive. The key attributes of these connectors, which make them excel for this application, are their compact footprint and solid metal body. The solid metal body and gold contacts provide a well-shielded signal path.

The TIVH series IsoVu input provides a floating differential measurement with *differential input resistance* from 10 MΩ to 40 MΩ, depending on the tip attenuation. In the VGS measurement example the 10X tip with a 10 MΩ input impedance is used. The *common mode resistance* is extremely high, greater than G Ω, in parallel with a small capacitance from the tip cable shield to ground, typically 2 pF or less. Keep these impedances in mind when determining how to connect the measurement system to the DUT. The source node in the half bridge circuit is a very low impedance point, and is the point that should be used to drive the tip cable shield capacitance. The gate driver output, which is also a low impedance node (but not as low impedance as the source), should be used to drive the center contact of the sensor tip cable. The input impedance of the sensor tip cable for the 10X tip is 10 MΩ || 6 pF relative to the shield – not to ground.

An example of a measurement that is possible with IsoVu is measuring the high-side turn-on characteristics shown in the following figure.

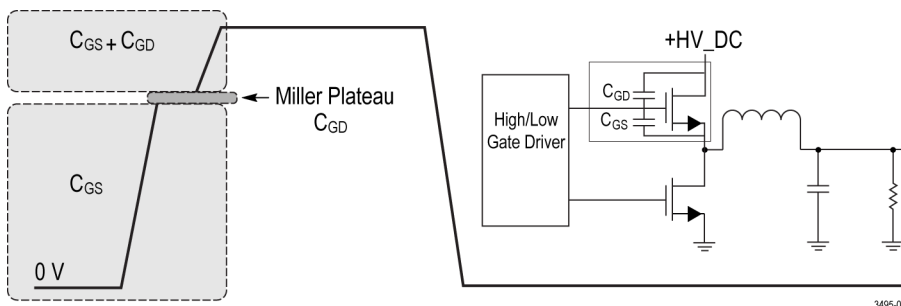


Figure 16: High-side turn-on characteristics

In general there are three characteristic regions of interest of the turn-on waveform (See Figure 16 on page 24.):

- The first region is the C_{GS} charge time.
- The second region is the Miller Plateau (the time required to charge the gate-drain Miller capacitance (C_{GD}), and is V_{DS} dependent. The charge time increases as V_{DS} increases.
- The third region occurs when the channel is in conduction and the gate charges up to its final value.

Due to the rapid rise of the voltage on the switch node during the high side turn-on, there can be very high frequency and high amplitude common mode voltage changes during the transition. If this common mode voltage transient is not rejected, then the measurement of the high-side V_{GS} during the transition is not possible.

Example 2: High-side V_{DS} measurement

Another challenging measurement is the high-side V_{DS} measurement in a half bridge. Again, like the V_{GS} measurement in Example 1, the reference node for this measurement is the high-side source node, which switches between the input supply voltage and the local PCB ground during operation. In a measurement system without sufficient CMRR, this rapidly changing common mode voltage results in interference which obscures or distorts the measurement.

To get the best CMRR from your TIVH Series IsoVu measurement system, pay careful attention when connecting the measurement system to the DUT. This connection should preserve the signal fidelity and shield the signal from unwanted interference. To achieve the best performance from the measurement system, keep the input leads from the V_{DS} test points to the IsoVu tip cable as short as possible.

The combination of the high CMRR, high input voltage capabilities, and high bandwidth of the TIVH, enables the ability to measure the actual V_{DS} turn-on risetime (t_r), and V_{DS} turn-off falltime (t_f), and capture the simultaneous time correlated V_{GS} (input) and V_{DS} (output) switching characteristics and interactions. (See Figure 17 on page 26.)

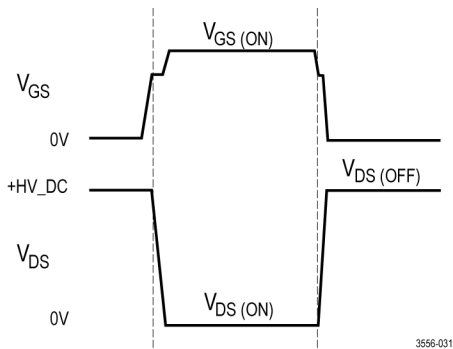


Figure 17: V_{GS} and V_{DS} switching characteristics

Example 3: High-side drain current measurement

Current sensing is a critical measurement in many applications. Using the half bridge circuit again as an example, measuring the high-side drain current, I_D , can be very challenging particularly during startup. At startup, there can be common mode voltage transients due to parasitic inductance in the supply leads in addition to large current swings. Inserting a conventional current probe into the circuit at this point would require adding excessive inductance, which might limit circuit performance. Using a small value resistor as a current shunt makes it possible to take very high frequency current measurements with minimal additional impedance in the drain connection. (See Figure 18.)

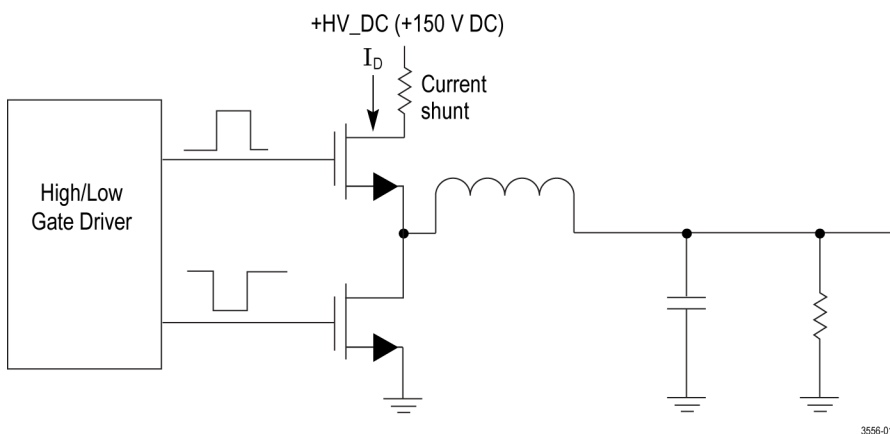


Figure 18: High side current shunt

In a typical application, a 0.25Ω resistor might be used to measure a transient current of 1 A, resulting in a voltage swing of 0.25 V, which can be measured with the measurement system using a 10X tip. A typical surface mount resistor can have a series inductance of less than 0.2 nH and series capacitance of less than 0.04 pF, resulting in much lower impedance at high frequency than could be obtained with a conventional current probe.

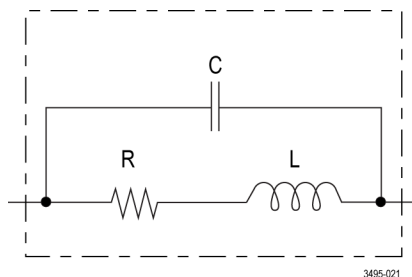


Figure 19: SMT resistor model

Go to <http://www.vishay.com/docs/60107/freqresp.pdf> for models of different types of surface mount resistors.

In general, surface mount resistors have fairly low power ratings; care must be taken not to exceed these ratings when using them as current shunts. Several vendors make very high power parts that can be used when high power dissipation is required. For example, the RP0402CB-R500FN-2Q from Barry Industries (<http://www.barryind.com/>) is a 1.0 W, 0.5 Ω 0402 resistor on an AlN substrate, or the RP0402CB-R500FN-2Q from US Microwaves (<http://www.usmicrowaves.com/>) is a 1.5 W, 1 Ω resistor on a BeO substrate.

Example 4: ESD troubleshooting

Many devices and systems can be negatively affected by ESD discharges. Troubleshooting problems that occur during an ESD discharge can be very difficult. A piece of test equipment connected to a device undergoing ESD testing has to not only withstand the ESD discharge, but it also has to reject interference caused by the rapid changes in potential on the DUT during an ESD discharge test.

For example, consider using the standard human body model of 100 pF and 1500 Ω . If the DUT is being tested to 4 kV and has a capacitance of 50 pF, the test equipment will be exposed to a voltage change of more than 1 kV in tens of nanoseconds.

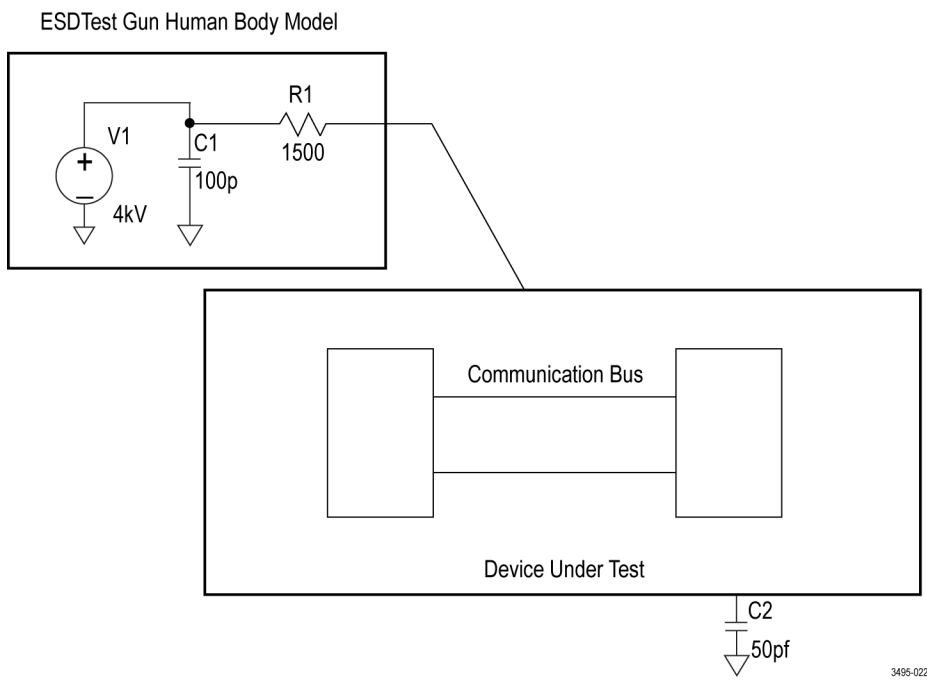


Figure 20: ESD discharge test example

In this example, if it is suspected that there is a glitch on the communication bus between two devices during the ESD discharge, then it is helpful to connect to the signals on the bus and to inspect them during the discharge. Because the measurement system uses Galvanic isolation, it rejects any interference from the ESD transient and tolerates the high common mode voltage during the discharge; the communication bus can be monitored throughout the ESD discharge and any irregularities can be investigated without interference from the ESD discharge.

Reference information

Specifications

The following tables list the specifications for the measurement system. The specifications are guaranteed unless otherwise indicated.

The performance limits in this specification are valid with these conditions:

- The instrument must be in an environment with temperature, altitude, and humidity within the operating limits described in these specifications.
- The instrument must have had a warm-up period of at least 20 minutes.
- The measurement system is powered from a TekVPI compatible oscilloscope.

Warranted specifications describe guaranteed performance with tolerance limits or certain type-tested requirements.

The performance verification procedures for the Propagation delay are listed later in this document. (See page 53, *Propagation delay*.)

Table 8: Warranted specifications

Characteristic	Description
Propagation delay (Warranted)	3 m fiber length: 35 ns \pm 5 ns (actual propagation delay is measured and stored within each unit) 10 m fiber length: 68 ns \pm 7 ns (actual propagation delay is measured and stored within each unit)

Table 9: Electrical specifications

Characteristic	Description		
Controller output termination	Terminate the controller output into 50 Ω		
Controller output coupling	DC coupled		
Range attenuation	<i>Sensor tip cable/adaptor</i>	<i>1X range</i>	<i>2X range</i>
	Sensor head input SMA	1X (\div 1)	2X (\div 2)
	MMCX10X, 10X tip cable	10X (\div 10)	20X (\div 20)
	MMCX50X, 50X tip cable	50X (\div 50)	100X (\div 100)
	MMCX250X, 250X tip cable	250X (\div 250)	500X (\div 500)
	SQPIN100X, 100X tip cable	100X (\div 100)	200X (\div 200)
	SQPIN500X, 500X tip cable	500X (\div 500)	1000X (\div 1000)
	WSQPIN1000X, 1000X tip cable	1000X (\div 1000)	2000X (\div 2000)
	WSQPIN2500X, 2500X tip cable	2500X (\div 2500)	5000X (\div 5000)

Table 9: Electrical specifications (cont.)


Characteristic	Description		
Input resistance/capacitance (attached to sensor head, 1 M Ω termination), (Typical) (See page 36, <i>Differential input impedance graphs.</i>)	<i>Sensor tip cable/adaptor</i>	<i>Resistance</i>	<i>Capacitance</i>
	Sensor head input SMA	1 M Ω \pm 2%	20 pF
	MMCX10X, 10X tip cable	10 M Ω	6 pF
	MMCX50X, 50X tip cable	10 M Ω	3 pF
	MMCX250X, 250X tip cable	10 M Ω	2 pF
	SQPIN100X, 100X tip cable	10 M Ω	3.5 pF
	SQPIN500X, 500X tip cable	10 M Ω	3.5 pF
	WSQPIN1000X, 1000X tip cable	40 M Ω	3.5 pF
	WSQPIN2500X, 2500X tip cable	40 M Ω	3.5 pF
Maximum non-destructive differential input voltage range, (Typical)	<i>Sensor tip cable/adaptor</i>	V (DC + pk AC)	
	Sensor head input SMA	\pm 25 V	
	MMCX10X, 10X tip cable	\pm 250 V	
	MMCX50X, 50X tip cable	\pm 250 V	
	MMCX250X, 250X tip cable	\pm 250 V	
	SQPIN100X, 100X tip cable	\pm 600 V	
	SQPIN500X, 500X tip cable	\pm 600 V	
	WSQPIN1000X, 1000X tip cable	\pm 2500 V	
	WSQPIN2500X, 2500X tip cable	\pm 2500 V	
 CAUTION. To avoid damaging the measurement system, be aware of the input voltage limits; this specification applies to both the 1X Range and 2X Range. (See page 35, <i>Maximum differential input voltage vs. frequency derating graphs.</i>)			
	Linear differential input voltage range, (Typical)	<i>Clamping Off, 1X Range</i>	<i>Clamping Off, 2X Range</i>
	<i>Sensor tip cable/adaptor</i>	\pm V peak (DC + peak AC)	\pm V peak (DC + peak AC)
	Sensor head input SMA	\pm 0.5 V	\pm 1 V
	MMCX10X, 10X tip cable	\pm 5 V	\pm 10 V
	MMCX50X, 50X tip cable	\pm 25 V	\pm 50 V
	MMCX250X, 250X tip cable	\pm 125 V	\pm 250 V
	SQPIN100X, 100X tip cable	\pm 50 V	\pm 100 V
	SQPIN500X, 500X tip cable	\pm 250 V	\pm 500 V
WSQPIN1000X, 1000X tip cable	\pm 500 V	\pm 1000 V	
WSQPIN2500X, 2500X tip cable	\pm 1250 V	\pm 2500 V	

Table 9: Electrical specifications (cont.)

Characteristic	Description		
Output clamping range (Input referred) (Typical)			
	<i>Sensor tip cable/adapter</i>	<i>Clamping on, 1X Range</i>	<i>Clamping on, 2X Range</i>
	Sensor head input SMA	±100 mV	±200 mV
	MMCX10X, 10X tip cable	±1 V	±2 V
	MMCX50X, 50X tip cable	±5 V	± 10 V
	MMCX250X, 250X tip cable	±25 V	±50 V
	SQPIN100X, 100X tip cable	±10 V	±20 V
	SQPIN500X, 500X tip cable	±50V	±100 V
	WSQPIN1000X, 1000X tip cable	±100 V	±200 V
	WSQPIN2500X, 2500X tip cable	±250 V	±500 V
Output clamping overdrive recovery (Typical)	< 20 ns		
System noise (input referred) (Typical)			
	<i>Sensor tip cable/adapter</i>	<i>1X Range</i>	<i>2X Range</i>
	TIVH08/TIVH08L Sensor head input SMA	< 1.2 mV _{rms}	< 1.4 mV _{rms}
	TIVH05/TIVH05L Sensor head input SMA	< 0.72 mV _{rms}	< 0.85 mV _{rms}
	TIVH02/TIVH02L Sensor head input SMA	< 0.61 mV _{rms}	< 0.75 mV _{rms}
	Input referred noise with tip cable	(Sensor head input SMA noise) * (Tip cable attenuation)	(Sensor head input SMA noise) * (Tip cable attenuation)
	Examples:	TIVH08 1X Range with MMCX10X tip cable: Noise = (1.2 mV _{rms}) * (10) = 120 mV _{rms}	TIVH08 2X Range with MMCX10X tip cable: Noise = (1.4 mV _{rms}) * (10) = 140 mV _{rms}
DC gain accuracy ¹ , (Input referred) (Typical)			
Differential DC gain accuracy	±3% ±DC offset error voltage ± input offset accuracy error		
80% to 100% of full scale in 2X Range:	±5% ±DC offset error voltage ± input offset accuracy error		

Table 9: Electrical specifications (cont.)

Characteristic	Description	1X Range	2X Range
DC offset error voltage ² (Input referred) (Typical)	<i>Sensor tip cable/adapter</i>		
	Sensor head input SMA	±2 mV	±4 mV
	MMCX10X, 10X tip cable	±20 mV	±40 mV
	MMCX50X, 50X tip cable	±100 mV	±200 mV
	MMCX250X, 250X tip cable	±500 mV	±1 V
	SQPIN100X, 100X tip cable	±200 mV	±400 mV
	SQPIN500X, 500X tip cable	±1 V	±2 V
	WSQPIN1000X, 1000X tip cable	±2 V	±4 V
	WSQPIN2500X, 2500X tip cable	±5 V	±10 V
Input offset voltage range ³ (Typical)	<i>Sensor tip cable/adapter</i>	<i>Input offset voltage range</i>	
	Sensor head input SMA	±25 V	
	MMCX10X, 10X tip cable	±250 V	
	MMCX50X, 50X tip cable	±250 V	
	MMCX250X, 250X tip cable	±250 V	
	SQPIN100X, 100X tip cable	±600 V	
	SQPIN500X, 500X tip cable	±600 V	
	WSQPIN1000X, 1000X tip cable	±2500 V	
	WSQPIN2500X, 2500X tip cable	±2500 V	
Input offset voltage accuracy (Typical)			
SMA input	±1%		
With probe tip	±2%		
DC Reject (AC coupling) (Typical)	< 7 Hz (-3 dB) – low frequency cutoff		
Small signal rise time (10% to 90%) (Typical) (SMA input and with sensor tip cables)	<i>Rise time</i>		
	TIVH08/TIVH08L	435 ps to 700 ps (depending on the tip) ⁴	
	TIVH05/TIVH05L	≤ 700 ps	
	TIVH02/TIVH02L	≤ 1.8 ns	
Small signal frequency response (Typical) (SMA input and with sensor tip cables)	<i>-3 dB bandwidth</i>		
	TIVH08/TIVH08L	DC to 500 MHz or 800 MHz (depending on the tip) ⁴	
	TIVH05/TIVH05L	DC to ≥ 500 MHz	
	TIVH02/TIVH02L	DC to ≥ 200 MHz	
Common mode voltage range	60 kV peak ⁵		
Common mode resistance (Typical)	N.A. due to Galvanically isolation (fiber optic connection)		
Common mode capacitance (Typical)	~2 pF		

Table 9: Electrical specifications (cont.)

Characteristic	Description	
Overload indicator range ⁶ (Typical)	Sensor tip cable/adaptor	Overload indicator On
	Sensor head input SMA	$V_{in} < -25\text{ V}$ or $V_{in} > +25\text{ V}$
	tip cables	$V_{in} \leq (\text{Maximum tip voltage})$ or $V_{in} \geq (\text{Maximum tip voltage})$ Example: for MMCX10X: $V_{in} \leq 250\text{ V}$ or $V_{in} \geq 250\text{ V}$

- ¹ The difference between the measured DC gain and the nominal DC gain, divided by the nominal DC gain and expressed as a percent.
- ² The input referred offset error voltage when the input is shorted and the probe input offset is set to 0 volts
- ³ User adjustable input referenced referred DC Offset Voltage Range. It is independent of range and clamp settings.
- ⁴ The 800 MHz bandwidth is achieved with the 50X and greater attenuation tips (MMCX50X, MMCX250X, SQPIN100X, SQPIN500X, WSQPIN1000X, or WSQPIN2500X).
- ⁵ This product is designed to be used in the circuit with expected transient overvoltage up to 5000 V peak.
- ⁶ The Overload indicator is active when the sensor head input DC/LF voltage exceeds the limits in this table. This overload detection will not detect mid and high frequency voltage transients that can damage the sensor head. This overload detection will not detect an overvoltage condition when the sensor head's DC Reject (AC coupling) is enabled. The limits are independent of range and clamp settings.

Common mode rejection ratio graphs

The ability to measure common mode rejection ratios (CMRR) of the IsoVu system below 100 kHz is limited by the dynamic range of test systems. Due to the optical isolation of the IsoVu sensor head, the DC CMRR performance of all tip cables is expected to be greater than 160 dB.

The following figure shows the typical CMRR values for the SMA cable and the MMCX10x, MMCX50X, and MMCX250X probe tip cables.

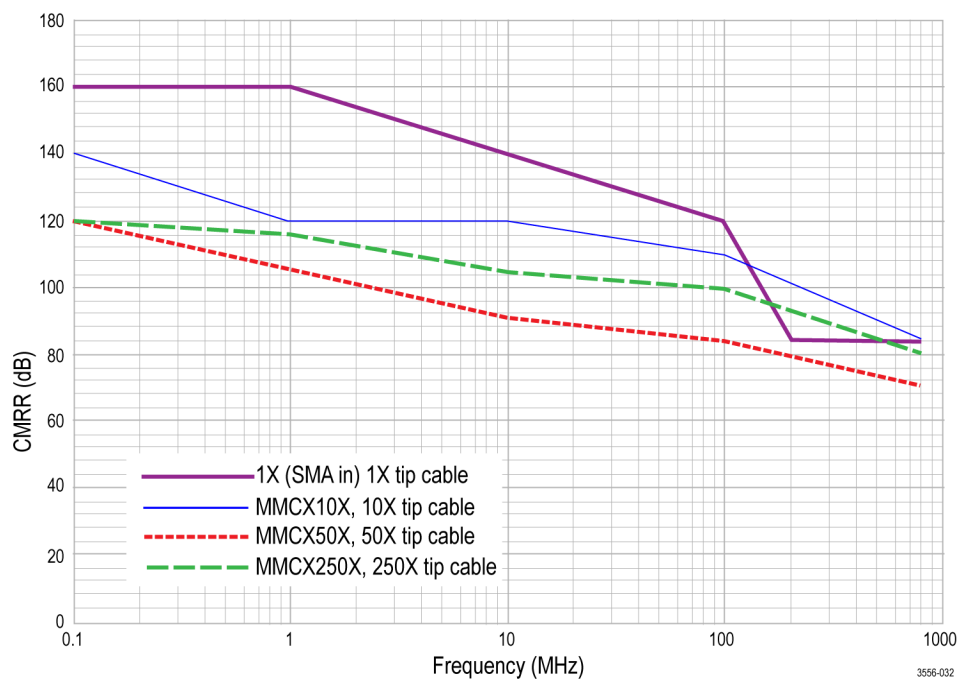


Figure 21: Typical CMRR values for 1X SMA cable and MMCX series probe tip cables

The following figure shows the typical CMRR values for the SQPIN100X, SQPIN500X, WSQPIN1000X, and WSQPIN2500X square pin tips.

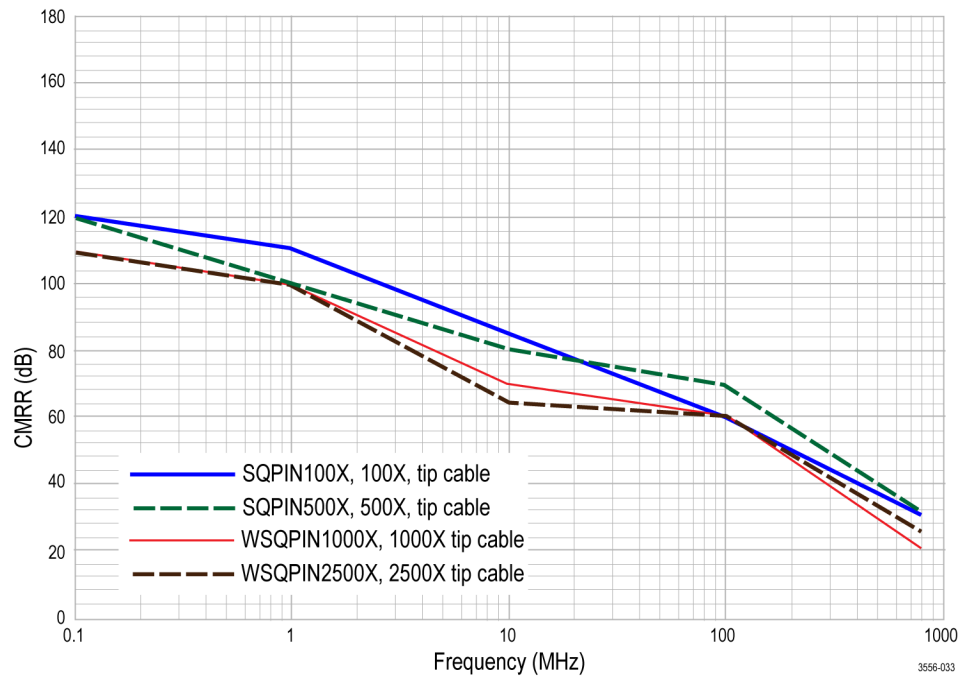


Figure 22: Typical CMRR values for square pin probe tips

Maximum differential input voltage vs. frequency derating graphs

The following figure shows the derating values for MMCX10X, MMCX50X, and MMCX250X probe tips.

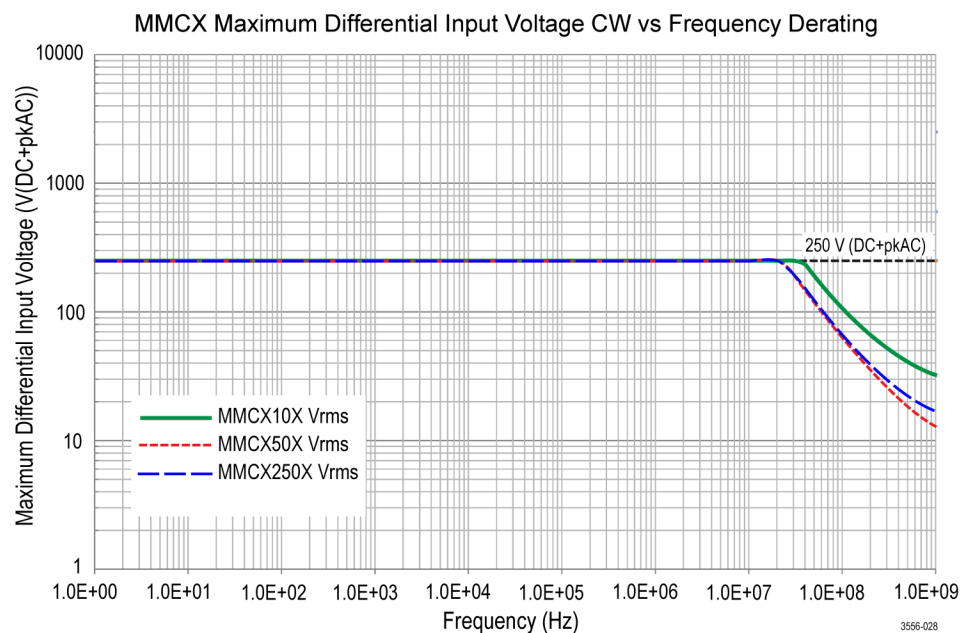


Figure 23: Maximum differential input voltage vs. frequency for MMCX series probe tips

The following figure shows the derating values for SQPIN100X, SQPIN500X, WSQPIN1000X, and WSQPIN2500X square pin probe tips.

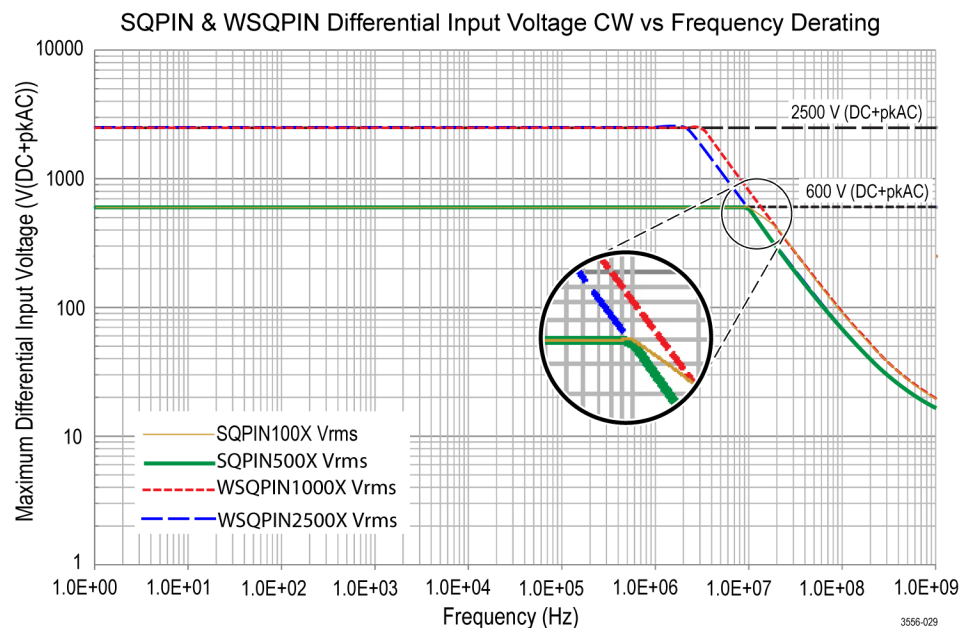


Figure 24: Maximum differential input voltage vs. frequency for square pin probe tips

Differential input impedance graphs

The following figure shows the differential input impedance vs. frequency values for the MMCX10X, MMCX50X, and MMC250X probe tips.

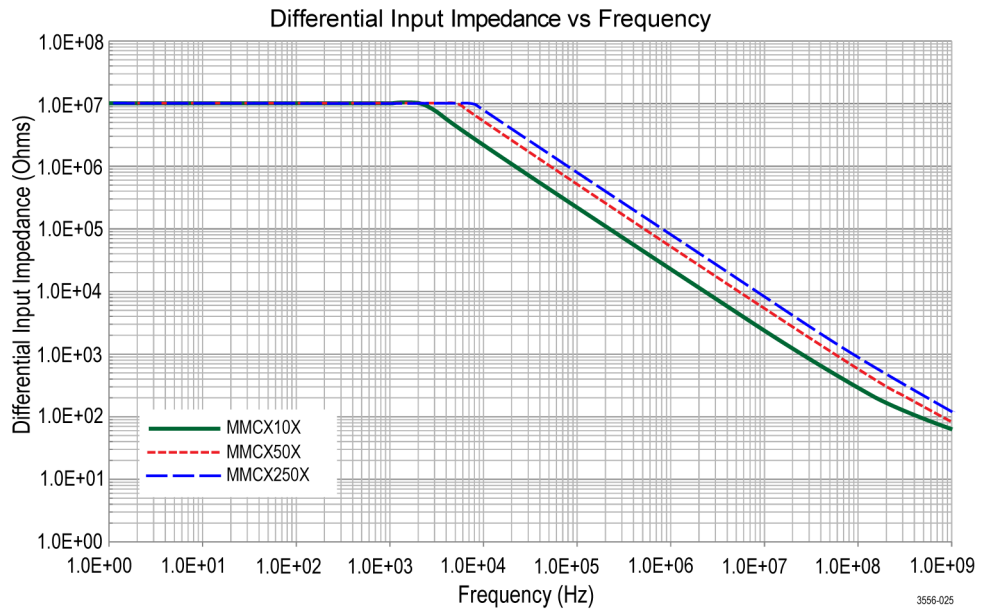


Figure 25: Differential input impedance vs. frequency chart for the MMCX series probe tips

The following figure shows the differential input impedance vs. frequency values for the SQPIN100X, SQPIN500X, WSQPIN1000X, and WSQPIN2500X probe tips.

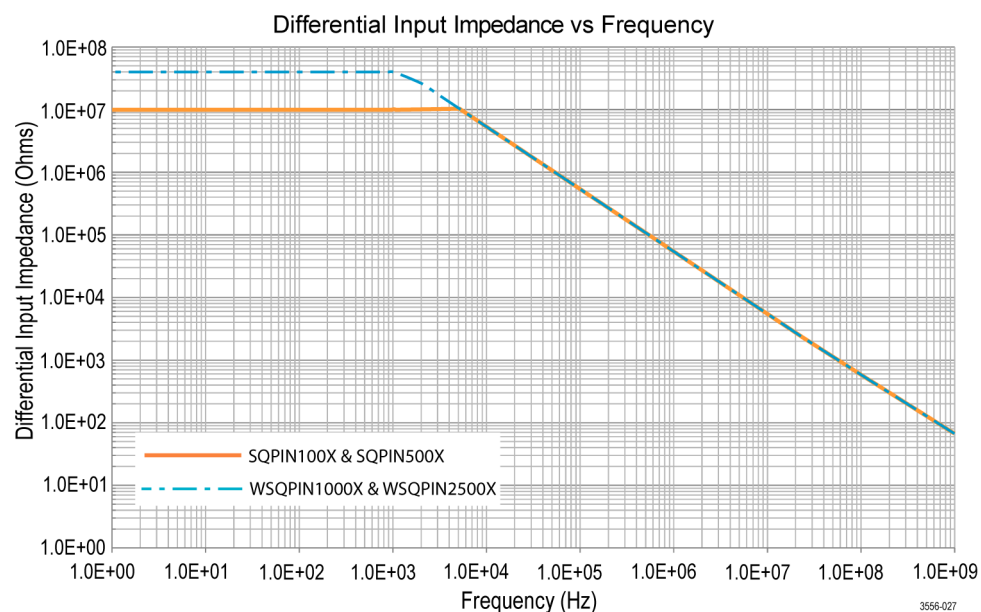


Figure 26: Differential input impedance vs. frequency chart for the square pin probe tips

Table 10: Physical specifications

Characteristic	Description
Net weight	(Weight does not include accessories and packaging.)
Sensor tip cables	0.025 kg (0.055 lb)
Sensor head	0.363 kg (0.8 lb)
Controller box	0.816 kg (1.8 lb)
TekVPI Comp box	0.57 kg (0.125 lb)
Sensor tip cable length	15.24 cm (6.0 in)
Fiber cable length	
TIVH08, TIVH02, TIVH05	3 m (9.84 ft)
TIVH08L, TIVH02L, TIVH05L	10 m (32.81 ft)
TekVPI cable length	55.88 cm (22 in)
Overall length and tolerances	
Comp box to controller	0.5588 m \pm 3.81 cm (22 in \pm 1.5 in) shoulder-to-shoulder, Boot area included in the overall length.

Table 10: Physical specifications (cont.)

Characteristic	Description
Controller to sensor head (TIVH08, TIVH02, TIVH05)	2.9718 m ±10.2 cm (117 in ±4 in)
Controller to sensor head (TIVH08L, TIVH02L, TIVH05L)	9.982 m ±10.2 cm (393 in ±4 in)

Dimensional drawings

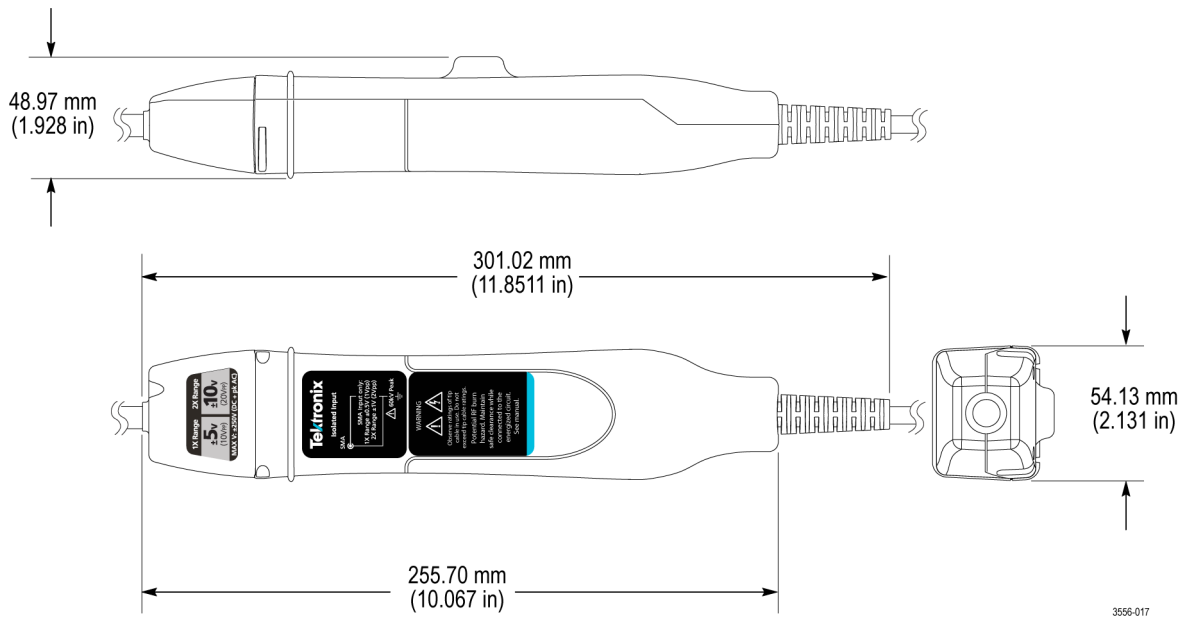
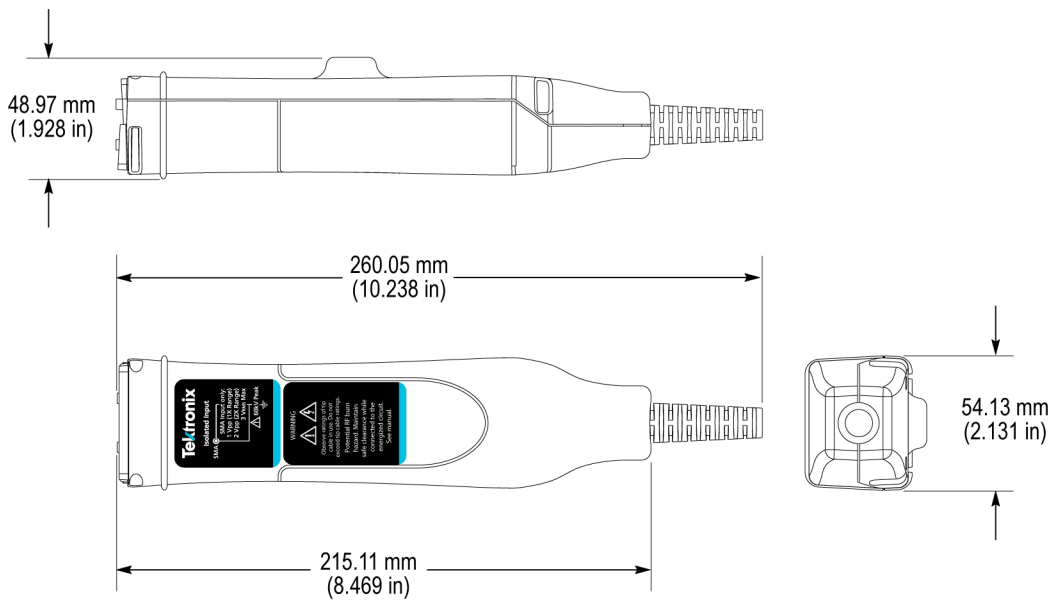
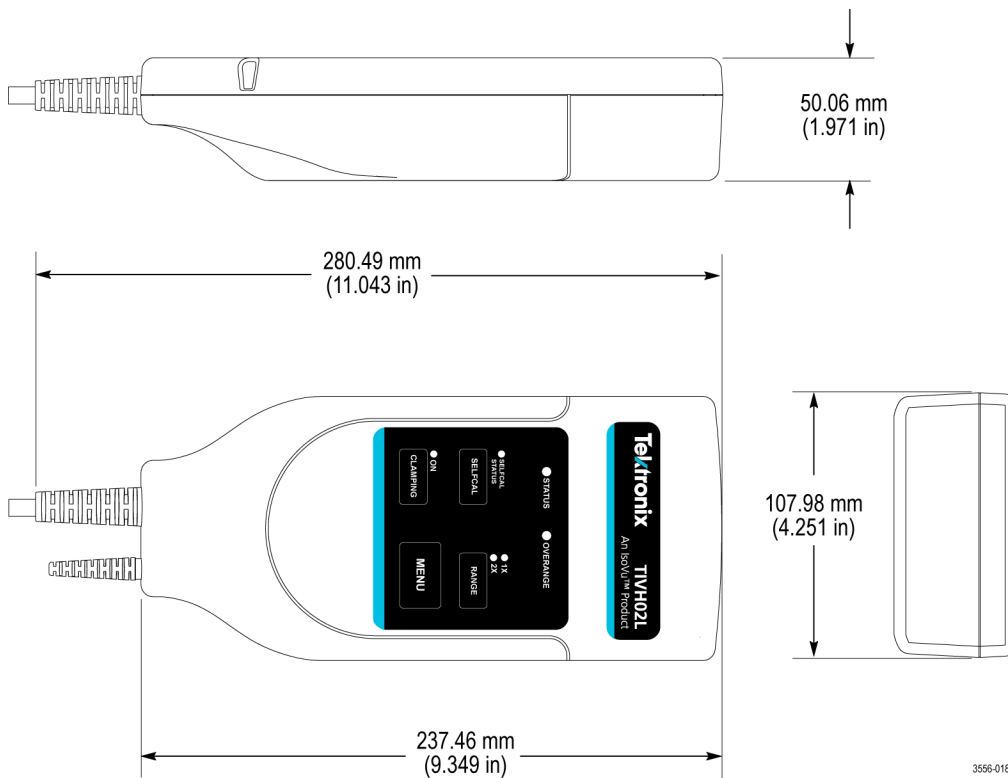


Figure 27: Sensor head dimensions with probe tip cover



3495-024

Figure 28: Sensor head dimensions without probe tip cover



3556-018

Figure 29: Controller dimensions

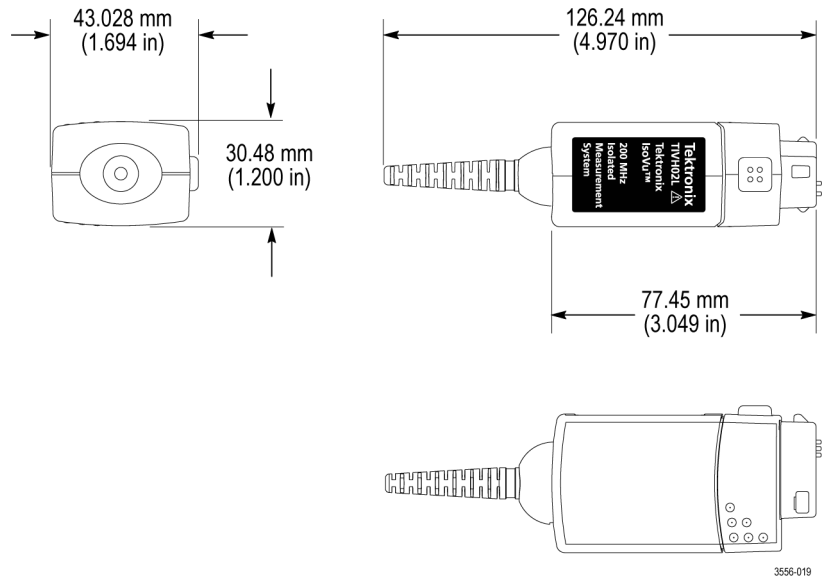


Figure 30: Comp box dimensions

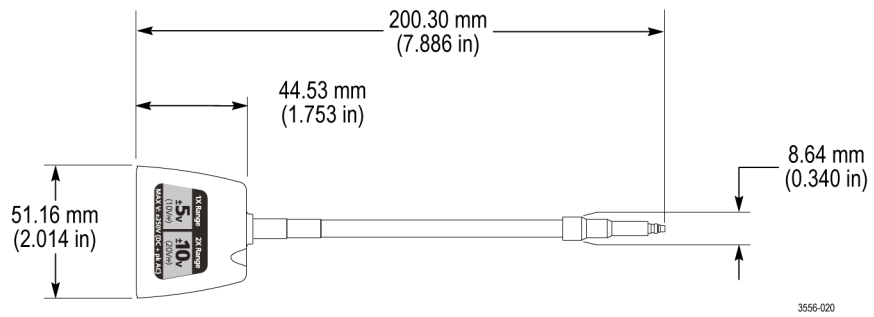


Figure 31: Probe tip adapter dimensions

IsoVu measurement system block diagram

The following figure shows a block diagram of the IsoVu measurement system.

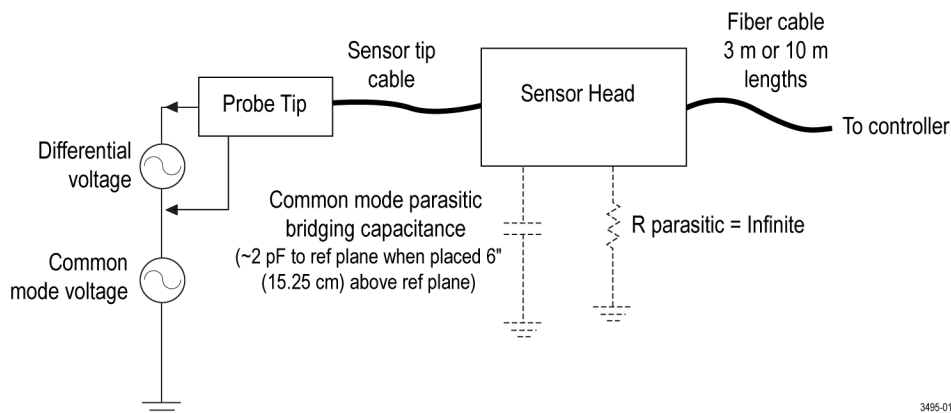


Figure 32: Block diagram

The common mode resistance and capacitance to earth ground is shown in the figure. (See Figure 32.) The common mode resistance is shown as $R_{parasitic}$ and is essentially infinite with the IsoVu measurement system since it is galvanically isolated and can be ignored. The common mode coupling capacitance to earth ground and the surrounding circuit is shown as the Parasitic Bridging Capacitance ($C_{parasitic}$). This parasitic capacitance will be approximately 2 pF when the sensor head is placed six (6) inches (15.25 cm) above a ground plane.

To minimize the effects of common mode capacitive loading consider the following items:

- Whenever possible, choose a reference point in the circuit-under-test that is static potential with respect to earth ground.
- Connect the coaxial (common) shield of the sensor tip cable to the lowest impedance point of the circuit.
- Increasing the physical distance between the sensor head and any conductive surface will reduce the parasitic capacitance.
- When using multiple IsoVu systems to measure different points in the circuit that do not have the same common mode voltages, keep the sensor heads separated to minimize the capacitive coupling.

Tripods

Tektronix provides two tripods as accessories with the measurement system. The Flexible tripod holds the sensor head while connected to the DUT. The Probe tip tripod supports the sensor tip cables while they are connected to adapters on the circuit board.

Flexible tripod

The tripod can be connected to the DUT in different ways. You can secure the tripod to the DUT using optional feet. The feet can be clamped or attached to the DUT using common screws. This allows you to install the tripod upside down or right side up as shown in the following figures.

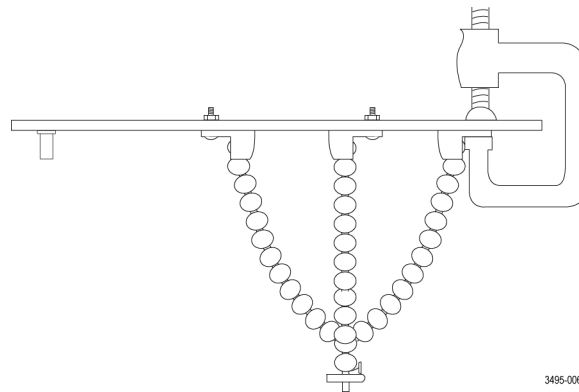


Figure 33: Installing the flexible tripod under the DUT.

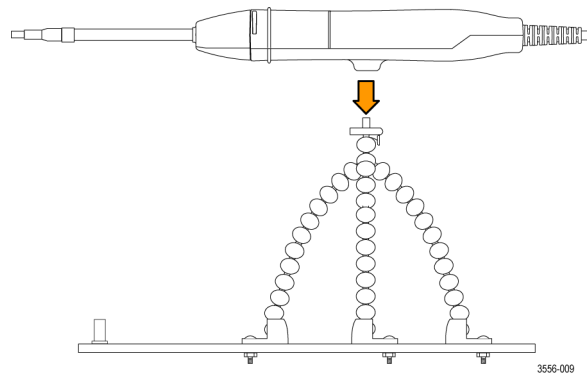
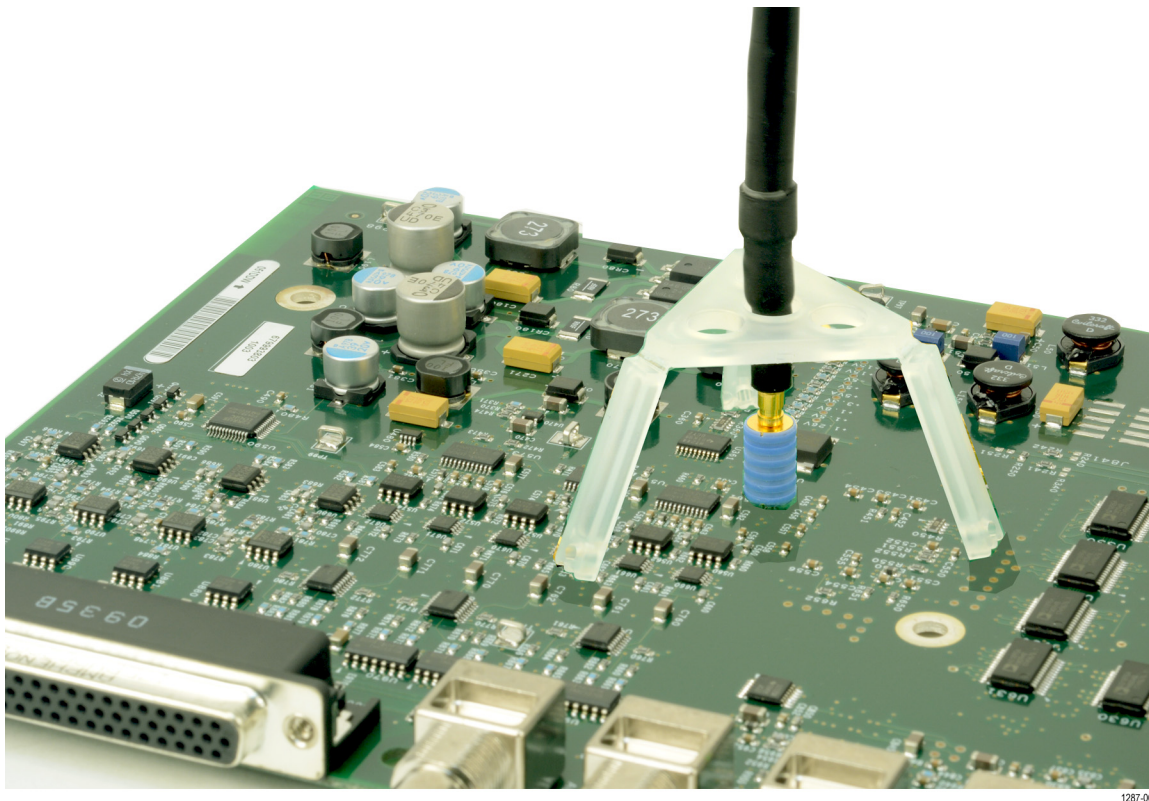


Figure 34: Connecting the sensor head to the top of the DUT with the flexible tripod.

Probe tip tripod

Use the probe tip tripod to connect the sensor tip cables to adapters on the circuit board. This tripod has flexible hinges to easily position the probe tip cable above the adapter on the circuit board. Tektronix recommends gluing the tripod in place on the circuit board to provide additional support for the sensor tip cables. The following figure shows an example of connecting to an adapter on the circuit board with the tripod; it reduces stresses on the test point.



1287-005

Figure 35: Connecting to an adapter on the circuit board with the probe tip tripod

Connecting the sensor tip cables

Tektronix provides different types of sensor tip cables to connect to the circuit board.

The MMCX sensor tip series connect directly to MMCX connectors on the circuit board or to probe tip adapters installed on the circuit board. (See page 45, *Installing the probe tip adapters*.)

The square pin series sensor tip cables connect directly to the circuit board as shown in the following figure.

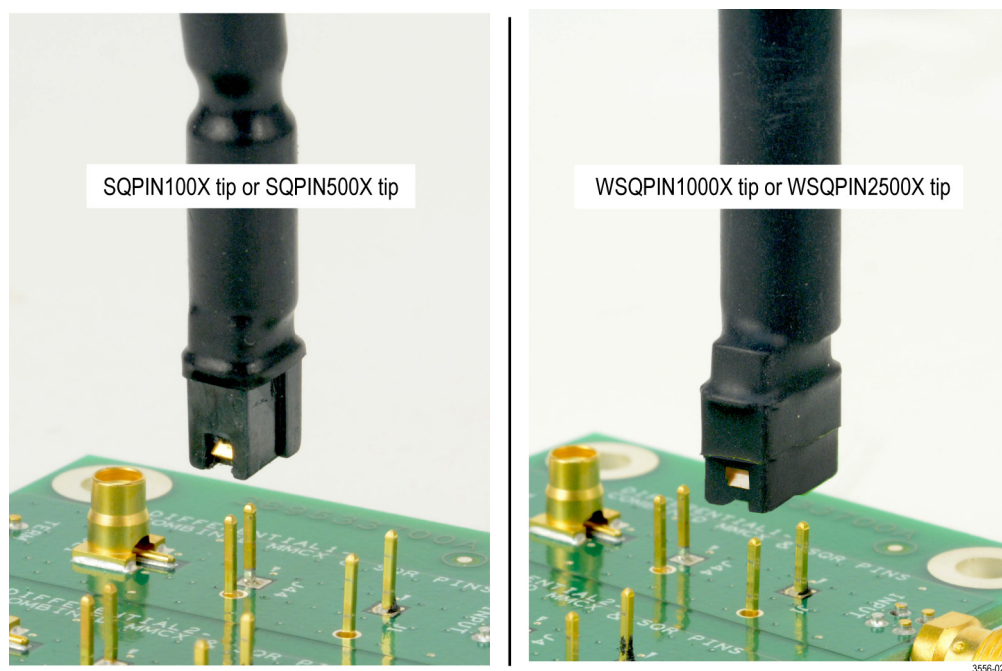


Figure 36: Square pin series sensor tip cables

The SQPIN series sensor tip cables connect to 0.1-inch (2.54 mm) square pins on the circuit board. The WSQPIN series sensor tip cables connect to 0.2-inch (5.08 mm) square pins on the circuit board.

Installing the probe tip adapters

Tektronix provides two probe tip adapters to connect the MMCX sensor tip cables to pins on the circuit board. The MMCX-to-0.1-inch (2.54 mm) pitch adapter and the MMCX-to-0.062-inch (1.57 mm) pitch adapter.

One end of each adapter has an MMCX socket for connection to an IsoVu MMCX tip cable. The other end of the adapter has a center pin socket and four common (shield) sockets around the outside of the adapter. Notches on the adapters can be used to locate the shield sockets. The procedure for installing these adapters are the same, the main difference is the spacing of the pins on the circuit board.

To install the adapters onto the square pins, line up the center of the adapter with the signal source pin on the circuit board. Use the notch on the adapter to align one of the shield sockets to the common pin on the circuit board. The following figures show examples of lining up the adapters on the circuit board.

To achieve the best electrical performance, especially the CMRR performance and EMI susceptibility, place the probe tip adapter as close as possible to the circuit board.

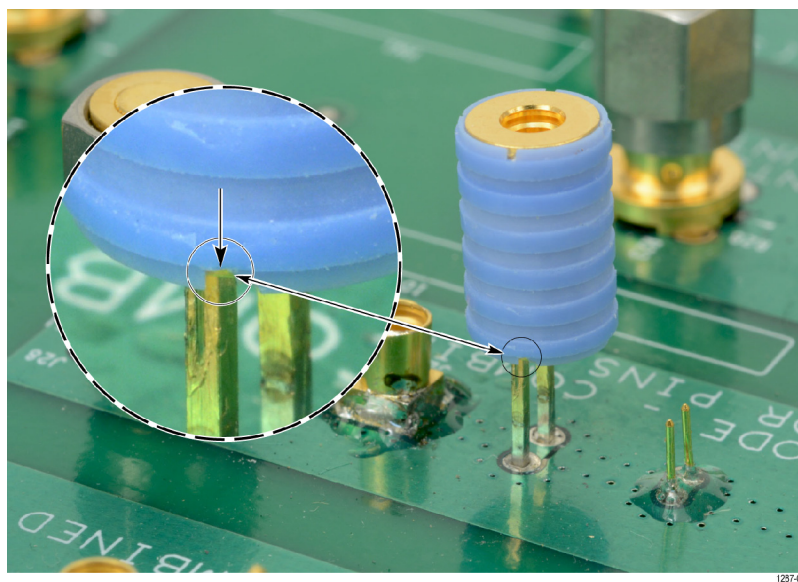


Figure 37: Lining up the MMCX-to-0.1-inch (2.54 mm) adapter on the circuit board

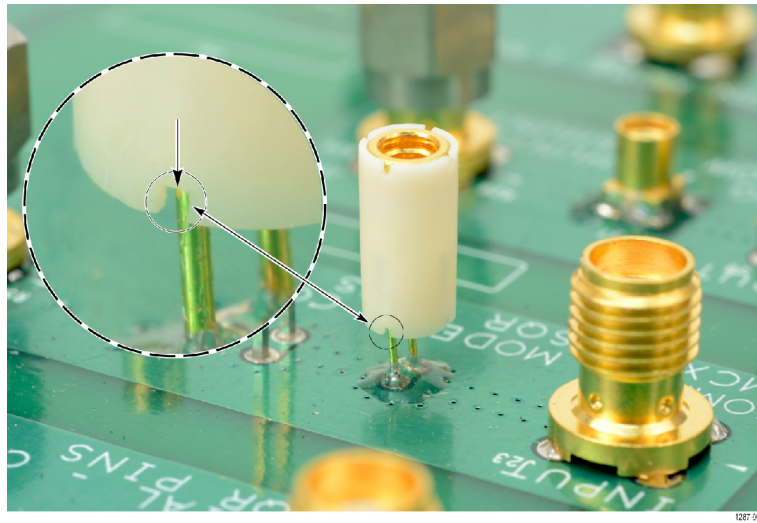


Figure 38: Lining up the MMCX-to-0.062-inch (1.57 mm) adapter on the circuit board

After lining up the adapters gently push down on the adapter to seat it in place on the circuit board.

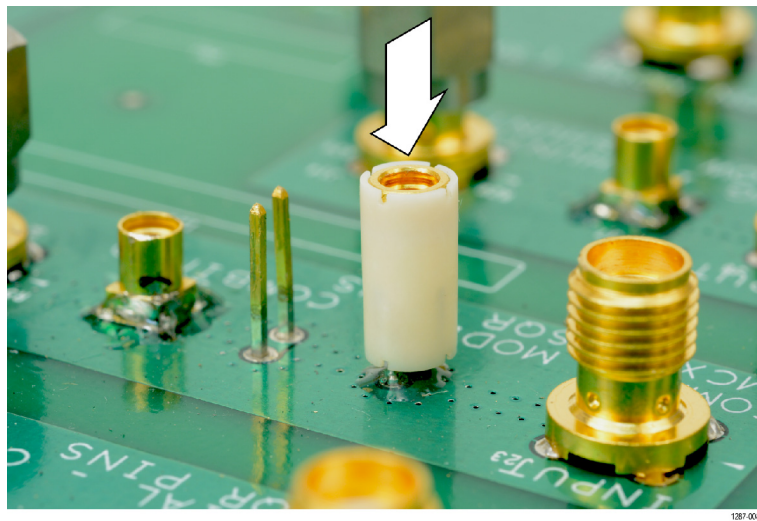


Figure 39: Pushing the MMCX-to-0.062-inch (1.57 mm) adapter in place

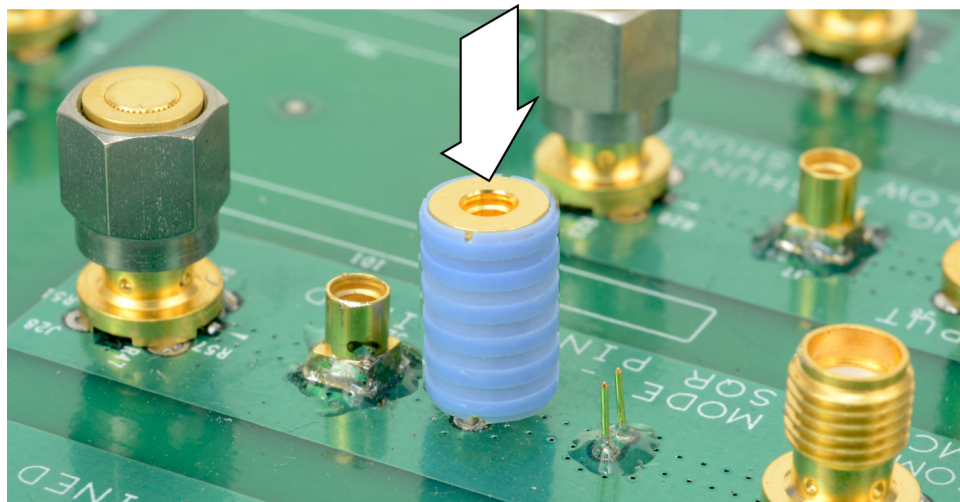


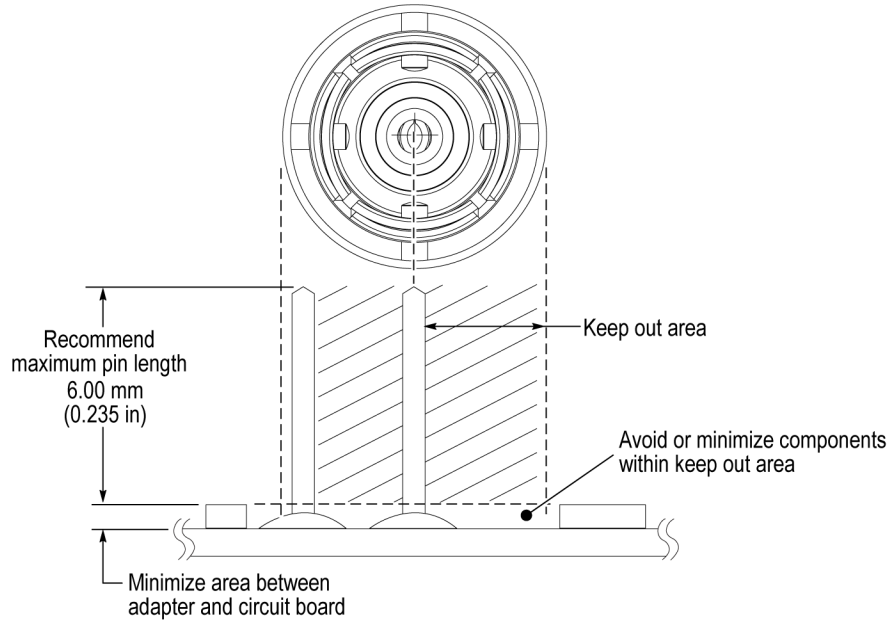
Figure 40: Pushing the MMCX-to-0.1-inch (2.54 mm) adapter in place

When the adapters are firmly in place on the circuit board connect the sensor tip cable to the top of the adapter while using the probe tip tripod to ease the tension off the probe tip cable and adapter. (See Figure 35 on page 43.)

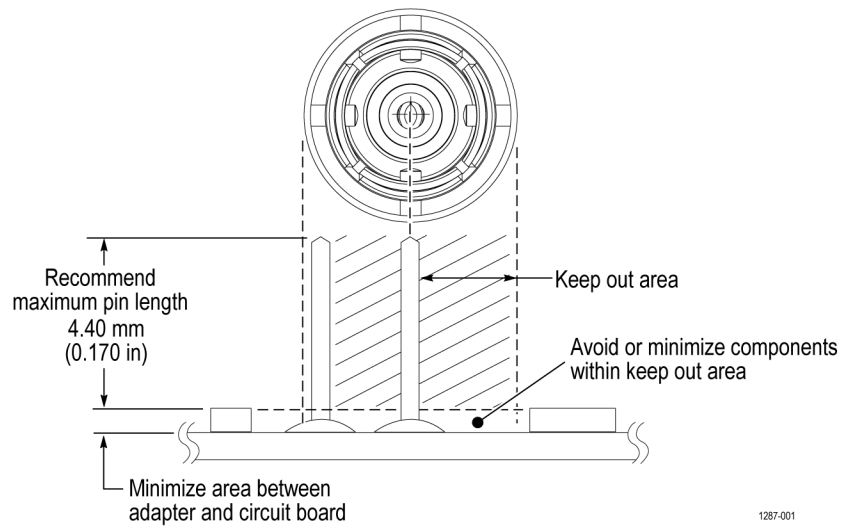
Installing the square pins on the circuit board

The following figure shows the recommended clearance requirements for connecting the adapters to the square pins on the circuit board. The bottoms of the adapters are shown at the top.

Probe Tip Adapter, MMCX to 0.1" pitch sq pin 0.635 mm (0.025 in) sq. pins



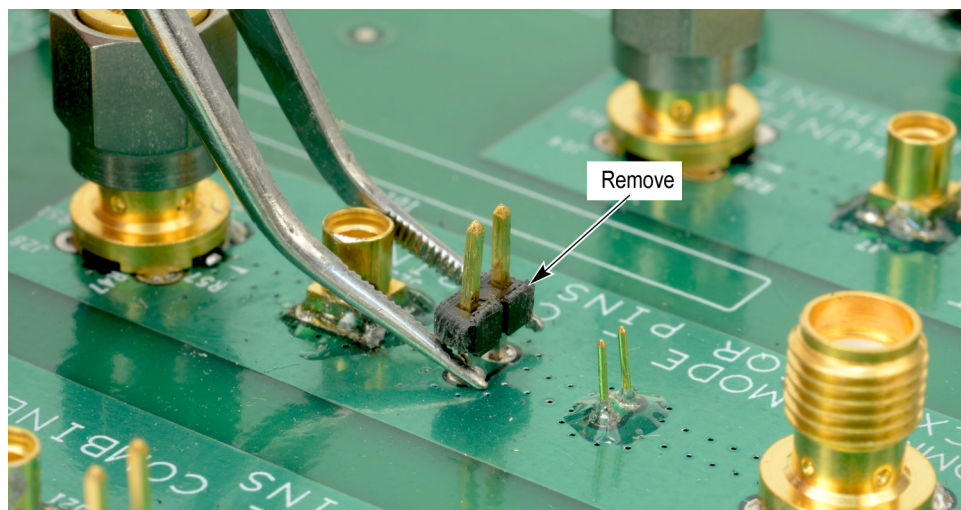
Probe Tip Adapter, MMCX to 0.062 in pitch sq pin 0.406 mm (0.016 in) sq. pins



1287-001

Figure 41: Adapter clearance requirements

The 0.025-inch (0.635 mm) square pins should already be located on the circuit board. Some square pins might have headers installed on the circuit board. Tektronix recommends removing the plastic spacer from the square pins to gain closer access to the circuit board as shown in the following figure to achieve the best electrical performance, especially CMRR. You might need to use a pair of tweezers to remove the spacer as shown in the figure.



1287-002

Figure 42: Removing the header from square pins on the circuit board

Tektronix provides a set of solder pins (0.018-inch (0.46 mm) diameter) to install on the circuit board for use with the MMCX to 0.062-inch (1.57 mm) adapter. Use the soldering aide tool accessory (Tektronix part number, 003-1946-xx) to install these pins on the circuit board.

NOTE. *The solder pins are extremely small and can be challenging to handle. Tektronix recommends using tweezers and a magnifying tool when installing the pins on the circuit board.*

The solder pins can be installed around a surface mounted component on the circuit board, but adequate clearance should be maintained for a good electrical connection for the adapter. (See Figure 41 on page 48.)

NOTE. *The coaxial (common) shield of the sensor tip cable and tip adapters should always be connected to the lowest impedance point (usually a circuit common or power supply rail) in the circuit-under-test (relative to the sensor tip cable/center conductor) to obtain the most accurate waveform.*

Use the following steps to install the solder pins using the soldering aid on the circuit board:

1. Carefully insert the solder pins into the soldering aid as shown in the following illustration.

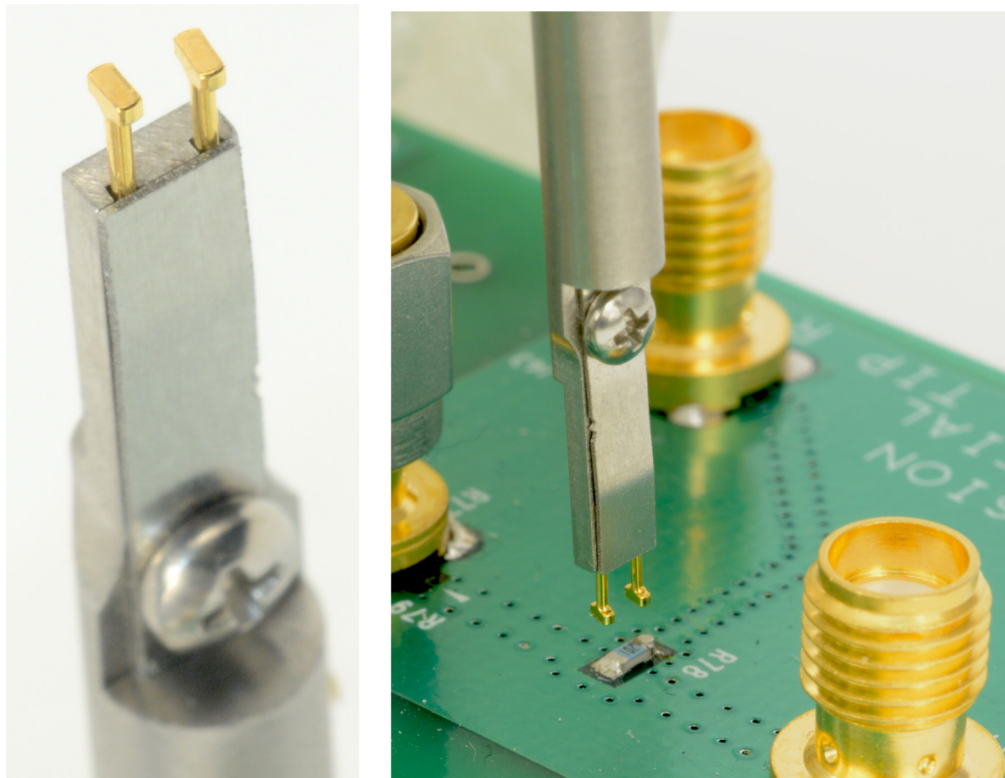


Figure 43: Using the soldering aid to install the square pins on the circuit board

2. Use the soldering aid to hold the square pins in place while soldering the square pins to the circuit board.
3. If necessary apply a small amount of adhesive to further strengthen the connection to the circuit board. However, keep the height of the adhesive to a minimum to provide good electrical contact for the adapter. (See Figure 41.)

User service

Service offerings

Tektronix provides service to cover repair under warranty and other services that are designed to meet your specific service needs.

Whether providing warranty repair service or any of the other services listed below, Tektronix service technicians are well equipped to service the IsoVu measurement system. Services are provided at Tektronix Service Centers and on-site at your facility, depending on your location.

Warranty repair service

Tektronix warrants this product as described in the warranty statements at the front of this manual. Tektronix technicians provide warranty service at most Tektronix service locations worldwide. The Tektronix Web site provides information on all service locations worldwide.

Calibration and repair service

In addition to warranty repair, Tektronix Service offers calibration and other services that provide cost-effective solutions to your service needs and quality standards compliance requirements. Tektronix instruments are supported worldwide by the leading-edge design, manufacturing, and service resources of Tektronix to provide the best possible service.

Preventive maintenance



CAUTION. *To prevent damage to the measurement system, do not expose it to sprays, liquids, or solvents. Avoid getting moisture inside the controller or sensor head when cleaning the exterior.*

Clean the exterior surfaces with a dry, lint-free cloth or a soft-bristle brush. If dirt remains, use a soft cloth or swab dampened with a 75% isopropyl alcohol solution. Use only enough solution to dampen the cloth or swab. Do not use abrasive compounds on any part of the instrument.

Performance verification procedures

Use the following procedures to verify the performance of the IsoVu measurement system. Before beginning the procedures, photocopy the test record and use it to record the performance results. (See page 59, *Test record*.)

Required equipment The equipment required to perform the performance verification procedures are shown in the following table.

Table 11: Required equipment for performance verification

Description	Minimum requirements	Example product
Oscilloscope with TekVPI interface	≥ 1 GHz, 50 Ω input support, fully compatible with TekVPI interface	Tektronix MDO4104C
Pulse generator	1 V_{p-p} , <1ns risetime	Tektronix Tek-DPG
TIVH series 10X sensor tip cable	As per description	Tektronix MMCX10X
MMCX Jack (female) to BNC female adapter	As per description	Fairview Microwave Product SKU: SM3610
Termination	As per description	Tektronix 011-0049-xx

Preparation Prepare the equipment as follows:

1. Turn on the TekVPI oscilloscope.
2. Connect the Tek-DPG Deskew pulse generator into Channel 2 of the TekVPI oscilloscope.
3. Allow the test equipment to warm up for 20 minutes at an ambient temperature of 20 °C to 30 °C.

Propagation delay

This procedure verifies that the TIVH Series IsoVu measurement system is functioning and meets the warranted propagation delay specification. The propagation delay will be measured by first applying the output of the pulse generator to the input of the oscilloscope and storing the captured waveform as a reference waveform. Next, the measurement system is connected to the oscilloscope and the output of the pulse generator is connected to the input of the measurement system. The delay is then measured between the saved reference waveform and the acquired waveform of the measurement system.

NOTE. *This procedure is valid for all versions of the TIVH Series IsoVu measurement systems.*

Create the reference waveform

Complete the following steps to create the reference waveform:

1. Connect the Tek-DPG Deskew Pulse Generator output BNC cable directly to Channel 1 input of the TekVPI oscilloscope.
2. Enable Channel 2 and use the following setups:
 - Vertical Scale: **500 mV/div**.
 - Vertical Position: -3 divisions
 - Set Termination: **1 M Ω** ,
 - Coupling: **DC**
 - Bandwidth: **FULL**
 - Deskew: **0** seconds
3. Set the Trigger menu using the following setups:
 - Type: **Edge**
 - Source: **CH2**
 - Slope: **Negative**
 - Level: **+1.50 V**
 - Coupling: **DC**
4. Use the following setups for Channel 1.
 - Vertical Scale: **200 mV/div**
 - Coupling: **DC**
 - Termination: **50 Ω**
 - Bandwidth: **FULL**

- Position: **0** (centered)
 - Offset: **-500 mV**
 - Deskew: **0** seconds
5. Set the Horizontal menu to the following setups:
 - Horizontal Scale to **10 ns/div**.
 - Horizontal Position: **40 ns**
 - Acquire: **Average 128**
 6. Set the Tek-DPG to the following setups:
 - **0 to -1 kHz mode** (Mode 1)
 - Output Enable: **ON**
 7. The Channel 1 waveform should appear approximately on the center of the oscilloscope display. If the waveform is not vertically centered in the display, adjust the display as necessary to vertically center the waveform.
 8. Use the following steps to save the Channel 1 waveform as the reference waveform (R1).
 - Press **MENU** on the oscilloscope.
 - Select **Save Waveform**.
 - Source: **CH1**.
 - Destination: **R1**.
 - Select **OK Save** to save the Channel 1 waveform as reference waveform R1. The new reference waveform should now be displayed on the oscilloscope.
 9. Disable the output of the Tek-DPG.
 10. Disconnect the Tek-DPG Deskew Pulse Generator output BNC cable from the Channel 1 input of the TekVPI oscilloscope.

Create the TIVH series waveform

Complete the following steps to set up the TIVH series waveform:

1. Connect the Comp box of the TIVH series measurement system to Channel 1 of the TekVPI oscilloscope.
2. Connect an MMCX10X sensor tip cable to the TIVH series input (tighten the SMA connector from the cable to the sensor head and attach the nose cone.)
3. Allow the measurement system to warm up for 20 minutes at an ambient temperature of 20 ° to 30 °C.
4. Connect an MMCX Jack (female) to BNC female adapter to the 50 Ω termination and to the output BNC cable of the Tek-DPG.

5. Set the TIVH series to the following:
 - Range: **1X**
 - CLAMPING: **Off**
 - Push the SELF CAL button to perform the self calibration (wait for the SELF CAL Status indicator to turn solid green).
6. On Channel 1 of the oscilloscope set the Vertical Scale to 200 mv/div.
7. Connect the MMCX10X sensor tip cable to the MMCX Jack (female) to BNC female adapter.
8. Enable the output of the Tek-DPG.
9. The Channel 1 waveform should appear on the oscilloscope display and be approximately vertically centered on the display. If not, **ONLY** adjust the vertical settings as necessary to center the waveform on the display.

Measure the propagation delay

Complete the following steps to measure and record the propagation delay.

1. Set up the delay measurement on the oscilloscope as follows:
 - a. Select **Measure**.
 - b. Select **Add Measurement**.
 - c. Select Measurement Type: **Delay**.
 - d. Select Configure: **Delay**.
 - e. Set the Source to **R1**.
 - f. Set the Delay to **CH1**.
 - g. Select **OK Add Measurement**.

- The oscilloscope display should be similar to the following figure.



Figure 44: Propagation delay measurement

Record the resulting delay measurement on the test record.

- Disable the output of the Tek-DPG.

Troubleshooting and error conditions

The following table lists possible problems that you might encounter when taking measurements with TIVH Series IsoVu measurement system. Use the table as a quick troubleshooting reference before contacting Tektronix for service.

Table 12: Problems and possible solutions

Problem	Remedy
The measurement system will not power on; no indicators are on.	Verify the TekVPI comp box is securely attached to the oscilloscope. Detach and then reattach the comp box (using a different oscilloscope channel if necessary). If the condition persists, return the system to Tektronix for service.
Controller STATUS indicator is flashing green.	Detach and then reattach the comp box (using a different oscilloscope channel if necessary). Do not force the comp box into the oscilloscope connector at an angle; connect it to the oscilloscope with a firm, horizontal force. If the condition persists, return the system to Tektronix for service.
Controller STATUS indicator is flashing red and yellow	This condition indicates a failure in the measurement system. Most often, a failure is detected when the measurement system is first connected to the oscilloscope (while executing power-on self tests). Detach and then reattach the comp box to the scope. If the condition persists, return the system to Tektronix for service.

Table 12: Problems and possible solutions (cont.)

Problem	Remedy																
Controller SELF CAL STATUS indicator turns solid red after pressing SELF CAL button (or never completes).	<ul style="list-style-type: none"> ■ Remove input signal (differential must be 0.0V). ■ Allow system to warm up 20 minutes. ■ Make sure the fiber cable is not subjected to dynamic mechanical or thermal stresses. ■ If the self calibration does not complete in a minute, detach and reattach the comp box to the oscilloscope – then try again. 																
Waveform distortion when the signal from the DUT is less than 5 Hz or a multiple of 43.5 Hz	Disable the Offset Correction. Refer to the <i>Offset correction</i> section earlier in this document. (See page 15.)																
Output waveform is clipped or distorted	<ul style="list-style-type: none"> ■ Verify that the Output Clamp is disabled. ■ Check that the proper sensor tip cable is being used for the measurement. Refer to <i>Selecting a sensor tip cable</i> section earlier in this document. (See page 19.) ■ Change the Input Offset to center the signal on-screen. ■ Make sure the correct Range is selected (1X or 2X). 																
Frequency response is rolled off	<ul style="list-style-type: none"> ■ Check the bandwidth limit on the oscilloscope. ■ Check the sensor tip cable continuity and sensor head input resistance (see below). 																
Output waveform is unstable (low frequency noise and/or DC offset keep changing)	<ul style="list-style-type: none"> ■ Make sure the fiber cable is not subjected to dynamic mechanical and thermal stresses. ■ Verify that Offset Correction is enabled (detach and then reattach the comp box to make sure it has been re-enabled). 																
Measurements are inaccurate	<ul style="list-style-type: none"> ■ Run SELF CAL. ■ Check that the proper sensor tip cable is being used for the measurement. Refer to <i>Selecting a sensor tip cable</i> section earlier in this document. (See page 19.) ■ Make sure the correct Range is selected (1X or 2X). ■ Make sure the signal is on-screen. 																
Cannot achieve high CMRR	Try a different sensor tip cable.																
Too much noise and cannot accurately resolve signal	<ul style="list-style-type: none"> ■ Switch to the 1X Range. ■ Choose a sensor tip cable with less attenuation. 																
No signal detected; waveform is a flat line	<ul style="list-style-type: none"> ■ Check the sensor tip cable continuity: <table border="1" style="width: 100%; border-collapse: collapse;"> <thead> <tr> <th style="text-align: left;"><i>Sensor tip cable</i></th> <th style="text-align: left;"><i>Resistance</i></th> </tr> </thead> <tbody> <tr> <td>MMCX10X - 10X sensor tip cable</td> <td>9 MΩ</td> </tr> <tr> <td>MMCX50X - 50X sensor tip cable</td> <td>10 MΩ</td> </tr> <tr> <td>MMCX250X - 250X sensor tip cable</td> <td>10 MΩ</td> </tr> <tr> <td>SQPIN100X - 100X sensor tip cable</td> <td>10 MΩ</td> </tr> <tr> <td>SQPIN250X - 100X sensor tip cable</td> <td>10 MΩ</td> </tr> <tr> <td>WSQPIN1000X - 1000X sensor tip cable</td> <td>40 MΩ</td> </tr> <tr> <td>WSQPIN2500X - 2500X sensor tip cable</td> <td>40 MΩ</td> </tr> </tbody> </table>	<i>Sensor tip cable</i>	<i>Resistance</i>	MMCX10X - 10X sensor tip cable	9 M Ω	MMCX50X - 50X sensor tip cable	10 M Ω	MMCX250X - 250X sensor tip cable	10 M Ω	SQPIN100X - 100X sensor tip cable	10 M Ω	SQPIN250X - 100X sensor tip cable	10 M Ω	WSQPIN1000X - 1000X sensor tip cable	40 M Ω	WSQPIN2500X - 2500X sensor tip cable	40 M Ω
<i>Sensor tip cable</i>	<i>Resistance</i>																
MMCX10X - 10X sensor tip cable	9 M Ω																
MMCX50X - 50X sensor tip cable	10 M Ω																
MMCX250X - 250X sensor tip cable	10 M Ω																
SQPIN100X - 100X sensor tip cable	10 M Ω																
SQPIN250X - 100X sensor tip cable	10 M Ω																
WSQPIN1000X - 1000X sensor tip cable	40 M Ω																
WSQPIN2500X - 2500X sensor tip cable	40 M Ω																

Table 12: Problems and possible solutions (cont.)

Problem	Remedy
	<ul style="list-style-type: none"> ■ Measure the SMA input resistance of the Sensor Head; it should be between 950 kΩ and 1.05 MΩ. If not, then the Sensor Head has been damaged and needs to be returned to Tektronix for service. ■ Check the controller STATUS indicator for possible error conditions. ■ Apply a test signal directly to the SMA input of sensor head to determine if the problem is the sensor tip cable or the sensor head.
Large DC offset in waveform	<ul style="list-style-type: none"> ■ Run SELF CAL. ■ Run AutoZero. ■ Set Input Offset to 0.0 V.
Cannot select between 1X and 2X range (5000/7000/70000 Series oscilloscopes)	When Auto Range is turned ON, the Range is selected automatically when the V/div setting is changed. You cannot change the Range directly (the button will appear to not function).
Probe compensation fails (7000/70000 Series oscilloscopes)	This is a normal condition. You can ignore the failure.

Repack the measurement system for shipment

If you need to return the measurement system to Tektronix for repair, use the original packaging. If this is unavailable or not fit for use, contact your Tektronix representative to obtain new packaging.

When you return the measurement system to Tektronix, attach a tag showing the following information:

- Name of the product owner
- Address of the owner
- Instrument serial number
- A description of problems encountered and/or service required

Test record

Photocopy this test record for recording the results of the performance verification procedures.

Table 13: Test record

Model number:

Certificate number:

Serial number:

RH %:

Temperature:

Technician:

Date of calibration:

Propagation delay	Minimum	Incoming	Outgoing	Maximum
TIVH08 (3 m fiber length)	30 ns			40 ns
TIVH08L (10 m fiber length)	61 ns			75 ns
TIVH02 (3 m fiber length)	30 ns			40 ns
TIVH02L (10 m fiber length)	61 ns			75 ns
TIVH05 (3 m fiber length)	30 ns			40 ns
TIVH05L (10 m fiber length)	61 ns			75 ns

Appendix A: Remote programming

This appendix describes commands and queries that can be sent to the sensor head when attached to a Tektronix oscilloscope. Long-form and short-form keywords are indicated with upper/lower case letters. The commands and queries are supported by most oscilloscopes; differences in supporting oscilloscopes, if any, are described with the commands.

For details on the command syntax, refer to the programmer documentation for your oscilloscope.

CH<n>:PRObe?

Returns probe information for channel <n>. Query only.

CH<n>:PRObe:AUTOZero EXECute

This command executes the AutoZero function. The operation is first performed by the measurement system and then by the oscilloscope. Command only.

The system can be configured (with special keystrokes) to perform a full self calibration before the oscilloscope does its AutoZero.

Refer to the self calibration procedure for information on performing the self calibration. (See page 13, *Self calibration*.)

CH<n>:PRObe:COMMAND “CLAMP”, {“ON” | “OFF”}

Only supported by 3000/4000 Series oscilloscopes.

The command enables or disables the clamp circuitry. The parameters enclosed in quotes are case sensitive and must be sent as capital letters.

CH<n>:PRObe:COMMAND? “CLAMP”. The query returns either “ON” or “OFF” enclosed in quotes.

CH<n>:PRObe:SET {“CLAMP ON” | “CLAMP OFF”}

Only supported by 5000/7000/70000 Series oscilloscopes.

The command enables or disables the clamp circuitry. The parameters enclosed in quotes are case insensitive.

CH<n>:PRObe:SET?. The query returns either “CLAMP ON” or “CLAMP OFF” enclosed in quotes.

CH<n>:PRObe:SET {"CLAMPING ON" | "CLAMPING OFF"}

Only supported by MSO 5 Series oscilloscopes.

The command enables or disables the clamp circuitry. The parameters enclosed in quotes are case insensitive.

CH<n>:PRObe:SET?. The query returns either "CLAMPING ON" or "CLAMPING OFF" enclosed in quotes.

CH<n>:PRObe:FORCEDRange <NR3>

The command selects the dynamic range of the sensor tip in V_{p-p} and is dependent the attached sensor tip cable.

The following table lists the sensor tip cables and the dynamic range.

Table 14: Sensor tip cables and dynamic ranges

Sensor tip cable	Dynamic Range V_{p-p}
No tip	1.0 or 2.0
10X	10.0 or 20.0
50X	50.0 or 100.0
100X	100.0 or 200.0
250X	250.0 or 500.0
500X	500.0 or 1000.0
1000X	1000.0 or 2000.0
2500X	2500.0 or 5000.0

CH<n>:PRObe:FORCEDRange? The query returns the dynamic range of the sensor tip in V_{p-p} .

CH<n>:PRObe:GAIN?

Returns the gain factor of the sensor tip (inverse of attenuation). Dependent on the attached sensor tip cable. Query only.

CH<n>:PRObe:ID {:SERnumber | :TYPE}?

Query only. When sending only PRObe:ID?, the query returns the sensor tip type string followed by the serial number string.

When sending PRObe:SERnumber?, the query returns the serial number string.

When sending PRObe:TYPE?, the query returns one of the following sensor tip type strings (note the trailing spaces within the return strings):

- "TIVH08 " (800 MHz, 3m)
- "TIVH08L" (800 MHz, 10m)
- "TIVH05 " (500MHz, 3m)
- "TIVH05L" (500MHz, 10m)
- "TIVH02 " (200MHz, 3m)
- "TIVH02L" (200MHz, 10m)

CH<n>:PRObe:PROPDELay?

Only supported by 3000/4000 Series oscilloscopes.

Returns the propagation delay value (in seconds). Query only.

CH<n>:PRObe:RECDESkew?

Only supported by 3000/4000 Series oscilloscopes.

Returns the recommended deskew value (in seconds). Query only.

CH<n>:PRObe:RESistance?

Returns the input resistance (in ohms). It depends on the attached sensor tip cable. Query only.

CH<n>:PRObe:UNIts?

Returns the units of the sensor tip (always "V"). Query only.

CH<n>:PROBECOntrol {AUTO | MAN}

Only supported by 5000/7000/70000/MSO 5 Series oscilloscopes.

The command sets the Auto or Manual sensor tip range control.

CH<n>:PROBE:PROBECOntrol?. The query returns the keyword AUTO or MANUAL.

CH<n>:PROBEFunc:EXTAtten <NR3>

Only supported by 5000/7000/70000/MSO 5 Series oscilloscopes.

The command sets user-defined external attenuation factor.

CH<n>:PROBEFunc:EXTAtten?. The query returns the external attenuation factor.

CH<n>:PROBEFunc:EXTDBatten?

Only supported by 5000/7000/70000/MSO 5 Series oscilloscopes.

Returns the external attenuation factor expressed in dB. Query only.

Appendix B: Compliance information

This section lists the Safety and Environmental standards with which the instrument complies. This product is intended for use by professionals and trained personnel only; it is not designed for use in households or by children.

Questions about the following compliance information may be directed to the following address:

Tektronix, Inc.
PO Box 500, MS 19-045
Beaverton, OR 97077, USA
www.tek.com

Safety compliance

This section lists the safety standards with which the product complies and other safety compliance information.

EU low voltage directive

Compliance was demonstrated to the following specification as listed in the Official Journal of the European Union:

Low Voltage Directive 2014/35/EU.

- EN 61010-1. Safety Requirements for Electrical Equipment for Measurement, Control, and Laboratory Use – Part 1: General Requirements.
- EN 61010-031. Particular requirements for handheld probe assemblies for electrical measurement and test equipment (partially applicable).

U.S. nationally recognized testing laboratory listing

- UL 61010-1. Safety Requirements for Electrical Equipment for Measurement, Control, and Laboratory Use – Part 1: General Requirements.
- UL 61010-031. Particular requirements for handheld probe assemblies for electrical measurement and test equipment (partially applicable).

Canadian certification

- CAN/CSA-C22.2 No. 61010-1. Safety Requirements for Electrical Equipment for Measurement, Control, and Laboratory Use – Part 1: General Requirements.
- CAN/CSA-C22.2 No. 61010-031. Particular requirements for handheld probe assemblies for electrical measurement and test equipment (partially applicable).

Additional compliances	<ul style="list-style-type: none"> ■ IEC 61010-1. Safety Requirements for Electrical Equipment for Measurement, Control, and Laboratory Use – Part 1: General Requirements. ■ UL 61010-031. Particular requirements for handheld probe assemblies for electrical measurement and test equipment (partially applicable). ■ EN 60825-1. Safety of Laser Products-Part 1: Equipment Classification and Requirements - Edition 3 (2014) ■ IEC 60825-1. Safety of Laser Products-Part 1: Equipment Classification and Requirements - Edition 3 (2014) ■ US 21CFR PT1010 Performance Standard for Electronic Parts 2015. ■ US 21CFR PT1040 Performance Standards for Light Emitting Products 2015.
Equipment type	Test and measuring equipment.
Pollution degree descriptions	<p>A measure of the contaminants that could occur in the environment around and within a product. Typically the internal environment inside a product is considered to be the same as the external. Products should be used only in the environment for which they are rated.</p> <ul style="list-style-type: none"> ■ Pollution degree 1. No pollution or only dry, nonconductive pollution occurs. Products in this category are generally encapsulated, hermetically sealed, or located in clean rooms. ■ Pollution degree 2. Normally only dry, nonconductive pollution occurs. Occasionally a temporary conductivity that is caused by condensation must be expected. This location is a typical office/home environment. Temporary condensation occurs only when the product is out of service. ■ Pollution degree 3. Conductive pollution, or dry, nonconductive pollution that becomes conductive due to condensation. These are sheltered locations where neither temperature nor humidity is controlled. The area is protected from direct sunshine, rain, or direct wind. ■ Pollution degree 4. Pollution that generates persistent conductivity through conductive dust, rain, or snow. Typical outdoor locations.
Pollution degree rating	Pollution degree 2 (as defined in IEC 61010-1). Rated for indoor, dry location use only.
IP rating	IP20 (as defined in IEC 60529).

Measurement and overvoltage category descriptions

Measurement terminals on this product may be rated for measuring mains voltages from one or more of the following categories (see specific ratings marked on the product and in the manual).

- Category I. Circuits not directly connected to a mains supply.
- Category II. Circuits directly connected to the building wiring at utilization points (socket outlets and similar points).
- Category III. In the building wiring and distribution system.
- Category IV. At the source of the electrical supply to the building.

NOTE. *Only measurement circuits have a measurement category rating. Other circuits within the product do not have either rating.*

Environmental considerations

This section provides information about the environmental impact of the product.

Product end-of-life handling

Observe the following guidelines when recycling an instrument or component:

Equipment recycling. Production of this equipment required the extraction and use of natural resources. The equipment may contain substances that could be harmful to the environment or human health if improperly handled at the product's end of life. To avoid release of such substances into the environment and to reduce the use of natural resources, we encourage you to recycle this product in an appropriate system that will ensure that most of the materials are reused or recycled appropriately.



This symbol indicates that this product complies with the applicable European Union requirements according to Directives 2012/19/EU and 2006/66/EC on waste electrical and electronic equipment (WEEE) and batteries. For information about recycling options, check the Tektronix Web site (www.tek.com/productrecycling).

Index

Symbols and Numbers

1X Range, 18

2X Range, 18

A

aberrations, 15, 16

accessories

optional, 2

standard, 1

adapter

clearance requirements, 48

TCA-VPI50, xii

aliasing, 15

application examples, 23

Auto Range, 18

AutoZero, 14

B

bend radius

fiber-optic cables, 2

sensor tip cables, 3

block diagram, 41

C

cable care, 2

cable handling practices, 2

calibration status, 8

clamping button, 8

clamping indicator, 8

cleaning procedures, 51

clearance requirements, 4

adapters, 48

CMRR, 15, 23, 25, 33

common mode rejection ratios, 33

comp box, x

dimensions, 39

compensate probe feature

DPO7000,

MSO/DPO70000 series

oscilloscopes, 21

compliance

environmental, 67

safety, 65

connecting the measurement system, 11

controller, x

dimensions, 39

controller buttons

clamping, 8

menu, 7, 14

range, 7

self cal, 8

controller indicators

clamping, 8

over range, 7

range, 7

self cal, 8

status, 8

current sensing example, 26

cutoff frequency, 16

D

DC CMRR, 33

derating curve, 4

deskew, 21

differential dynamic range, 17

differential input impedance

graphs, 36

dimensions

comp box, 39

controller, 39

probe tip adapter, 40

sensor head, 38

E

environmental compliance, 67

environmental considerations, 3

error conditions, 56

ESD discharge example, 27

F

fiber-optic cable

safe handling practices, 2

flexible tripod, 42

H

high-side VDS measurement

example, 25

high-side VGS and VDS

measurement example, 23

I

input offset, 21

input resistance

sensor tip cables, 20

input specifications, 3

installing the probe tip

adapters, 45

IsoVu, ix

K

key features, ix

L

laser certification, ix

low-pass filter, 15

M

measurement system status, 8

menu button, 7, 14

MMCX connector, 24

MMCX connectors, xi

models, xi

O

offset correction, 15

disabling, 15

operating requirements, 2

optional accessories, 2

output clamping, 20

over range Indicator, 7

P

packaging, 58

performance verification

procedures, 52

propagation delay, 53

required equipment, 52

test record, 59

probe compensation failures, 21

probe tip adapter

dimensions, 40

probe tip tripod, 42

product description, x

programmable interface, 13

propagation delay, 21

R

range button, 7

range indicators, 7

remote programming

CH<n>:PRObe?, 61, 63

CH<n>:PRObe:

FORCEDRange, 62

CH<n>:PRObe:AUTOZero

EXECute, 61

CH<n>:PRObe:COMMAND

“CLAMP”, 61

CH<n>:PRObe:GAIN?, 62

CH<n>:PRObe:ID?, 63

CH<n>:PRObe:ID:SERnum?, 63

CH<n>:PRObe:PROPDELay?, 63

CH<n>:PRObe:RECDESkew?, 63

CH<n>:PRObe:RESistance?, 63

CH<n>:PRObe:SET, 61, 62

CH<n>:PRObe:UNIts?, 63

CH<n>:PROBECOntrol, 64

CH<n>:PROBEFunc:

EXTAtten, 64

CH<n>:PROBEFunc:

EXTDBatten?, 64

repackaging, 58

RF burn area, 6

RF burns, 4

S

safety compliance, 65

safety information, v

safety summary, v

self cal

AutoZero, 14

button, 8

indicator, 8, 13

programming, 13

requirements, 13

self calibration, 13

sensor head, 8

description, xi

dimensions, 38

labels, 8

sensor tip

labels, 9, 17, 20

sensor tip cable

installation, 11

selection considerations, 19

sensor tip cables, vi, xi, 9

bend radius, 3

service offerings, 51

solder aid, 2

solder aide, 49

solder pin installation, 49

specifications, 29

square pin adapters, 12

square pin connectors, xi

standard accessories, 1

status indicator, 8

supported oscilloscopes, xii

T

TCA-VPI50 adapter, xii

test record, 59

tip cables, 9

TIVH02, xi

TIVH02L, xi

TIVH05, xi

TIVH05L, xi

TIVH08, xi

TIVH08L, xi

tripods, 42

troubleshooting, 56

U

user service, 51

V

voltage vs. frequency derating
graphs, 35

W

warranty repair service, 51