

Instructions



TDS5BUP Option 18

TDS5000B Series

Display Touch Screen Upgrade Kit

075-0813-03

Warning

The servicing instructions are for use by qualified personnel only. To avoid personal injury, do not perform any servicing unless you are qualified to do so. Refer to all safety summaries prior to performing service.

www.tektronix.com



075081303

Copyright © Tektronix. All rights reserved. Licensed software products are owned by Tektronix or its subsidiaries or suppliers, and are protected by national copyright laws and international treaty provisions.

Tektronix products are covered by U.S. and foreign patents, issued and pending. Information in this publication supercedes that in all previously published material. Specifications and price change privileges reserved.

TEKTRONIX and TEK are registered trademarks of Tektronix, Inc.

Contacting Tektronix

Tektronix, Inc.
14200 SW Karl Braun Drive
P.O. Box 500
Beaverton, OR 97077
USA

For product information, sales, service, and technical support:

- In North America, call 1-800-833-9200.
- Worldwide, visit www.tektronix.com to find contacts in your area.

Service Safety Summary

Only qualified personnel should perform service procedures. Read this *Service Safety Summary* and the *General Safety Summary* in the product service manual or the instruction manual.

Do Not Service Alone. Do not perform internal service or adjustments of this product unless another person capable of rendering first aid and resuscitation is present.

Disconnect Power. To avoid electric shock, switch off the instrument power, then disconnect the power cord from the mains power.

Use Care When Servicing With Power On. Dangerous voltages or currents may exist in this product. Disconnect power and disconnect test leads before removing protective panels, soldering, or replacing components.

To avoid electric shock, do not touch exposed connections.

Kit Description

The following kit instructions describe the installation of the touch screen upgrade (Option 18) into your TDS5000B Series oscilloscope. This upgrade allows you to operate the oscilloscope using the touch screen.

This upgrade kit includes procedures for adjusting the gamma settings to ensure an optimum display with the new LCD. You also need to run the touch screen software (included on the CD with the kit), to ensure an optimum display with the new LCD. Instructions for running the touch screen software are included in the CD booklet.

This kit implements the changes in ECRs 31268 and 32811.

Products

TDS5000B Series All Serial Numbers

Kit Parts List

Figure 1	Quantity	Part number	Description
1-1	1 ea	650-4553-XX*	Touch screen display assembly: TDS5000B Series, includes the following parts:
	1 ea	119-6845-XX	Touch screen display
	1 ea	259-0155-XX	Flex circuit: switch
	2 ea	348-1701-XX	Gasket: Display/touch panel, w/adhesive on one side, 9.4w X 7.1h X 0.062 thick, back
	2 ea	348-1700-XX	Gasket: Display/touch panel, w/adhesive on both sides, 9.4w X 7.1h X 0.062 thick, front
	1 ea	407-4844-XX	Bracket: Touch panel, 0.050 aluminum, front
	1 ea	407-4845-XX	Bracket: Touch panel, 0.050 aluminum, back
	5 ea	131-6417-XX	Contact, electrical: Grounding, 0.600 l X 0.250 w X 0.220 d, nickel plate
	1 ea	671-6299-XX	Circuit bd: Display adapter, w/hardware TDS5000B Series
1-2	1 ea	119-6806-XX	Circuit bd: Inverter, w/hardware
1-3	1 ea	174-4794-XX	Cable assy; Display Adapter to Inverter, Safety controlled
1-4	1 ea	343-1676-XX	Clamp: cable restraint, gray, PC/ABS
1-5	1 ea	333-4481-XX	Front subpanel: 2 channel, with bezel, labels

Figure 1	Quantity	Part number	Description
1-5	1 ea	333-4478-XX	Front subpanel: 4 channel, with bezel, labels (for instruments without floppy disk drive)
	1 ea	333-4411-XX	Front subpanel: 4 channel, with bezel, labels
1-6	1 ea	260-2758-XX	Switch: Keypad buttons, 2 channel
1-6	1 ea	260-2757-XX	Switch: Keypad buttons, 4 channel
1-7	1 ea	075-0813-XX	Kit Instructions: Display With Touch Screen Upgrade Kit, TDS5000B Series
Not shown	1 ea	020-2989-XX**	Touch Screen Switcher tool CD

* - Not Saleable

** The software installation procedure is provided in the CD booklet (071-2207-XX).

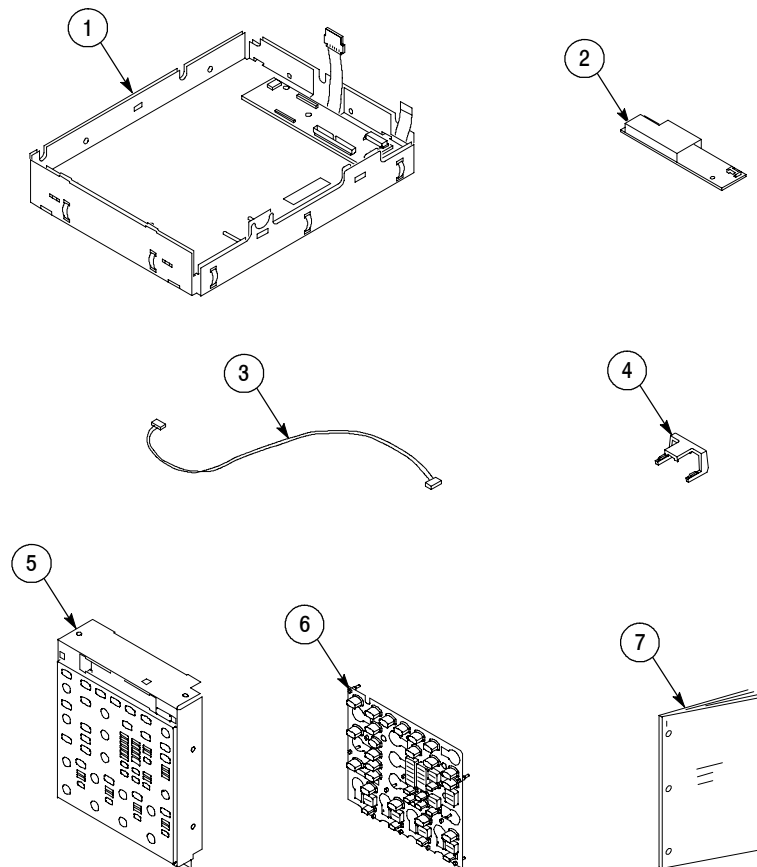


Figure 1: Display touch screen upgrade kit parts

Installation Instructions

This section contains all procedures needed to install the touch screen display into the TDS5000B Series instruments.

These instructions are for qualified service personnel who are familiar with servicing the product. If you need further details for disassembling or reassembling the product, refer to the appropriate product manual. Contact your nearest Tektronix Service Center or Tektronix Factory Service for installation assistance.

Gamma setting procedures are on page 15.

Touch Screen Switcher Tool instructions are in the CD booklet.

Minimum Tool and Equipment List

Most modules in the TDS5000B Digital Oscilloscope can be removed with a screwdriver handle mounted with a size T-15, Torx-driver tip. Review Table 1 for a complete list of tools to perform this upgrade. All tools are standard tools that are readily available.

Table 1: Tools required for module removal

Item number	Name	Description	General Tool number
1	Screwdriver handle	Accepts Torx-driver bits	620-440
2	T-15 Torx-tip	Used for removing most oscilloscope screws. Torx-driver bit for T-15 size screw heads	640-247
3	1/8 inch flat-bladed screwdriver	Screwdriver for unlocking cable connectors	Standard tool
4	#0 Phillips screwdriver	Screwdriver for removing small Phillips screws, CD, floppy & hard drive	Standard tool
5	Angle-Tip Tweezers	Used to remove Front-Panel knobs	Standard tool

Preparation



WARNING. Before doing this or any other procedure in this manual, read the Safety Summary found at the beginning of this manual.

This subsection contains the following items:

- The preparatory information you need to properly do the procedures that follow.
- Procedures for removal and reinstallation of the necessary electrical and mechanical modules.



WARNING. Before doing any procedure in this subsection, disconnect the power cord from the line voltage source. Failure to do so could cause serious injury or death.

Procedures for External Modules

The following procedures are found here and are listed in order presented.

- Line cord removal
- Trim (Front Panel) removal
- Display assembly removal
- Front Panel assembly removal

Line Cord and Trim

1. Pull the line cord away from the AC power connector.
2. Remove the Front-Panel cover, if necessary.
3. Remove the Front-Panel trim:
 - a. To prevent the power button from falling out of the Front-Panel trim, place a piece of tape over the button.
 - b. Remove the three T-15 Torx-drive screws that secure the Front-Panel trim to the oscilloscope. See Figure 2 on page 5.
 - c. Grasp the trim ring by the top edge and pull toward you to detach the three plastic snaps. (Alternatively, you can use a flat-bladed solder aid or other small prying tool to help you detach the snaps.)

- d. Grasp the trim ring by the side edges and slide it back and forth to release the snap in the middle of the trim ring. The snap is at the bottom “T” of the Front Panel above the channel 1 and 2 BNC connectors.
- e. Pull off the trim ring. As you do so, take care not to lose the 3 PEM inserts in the bottom of the trim ring.
- f. Remove the Acquisition trim.

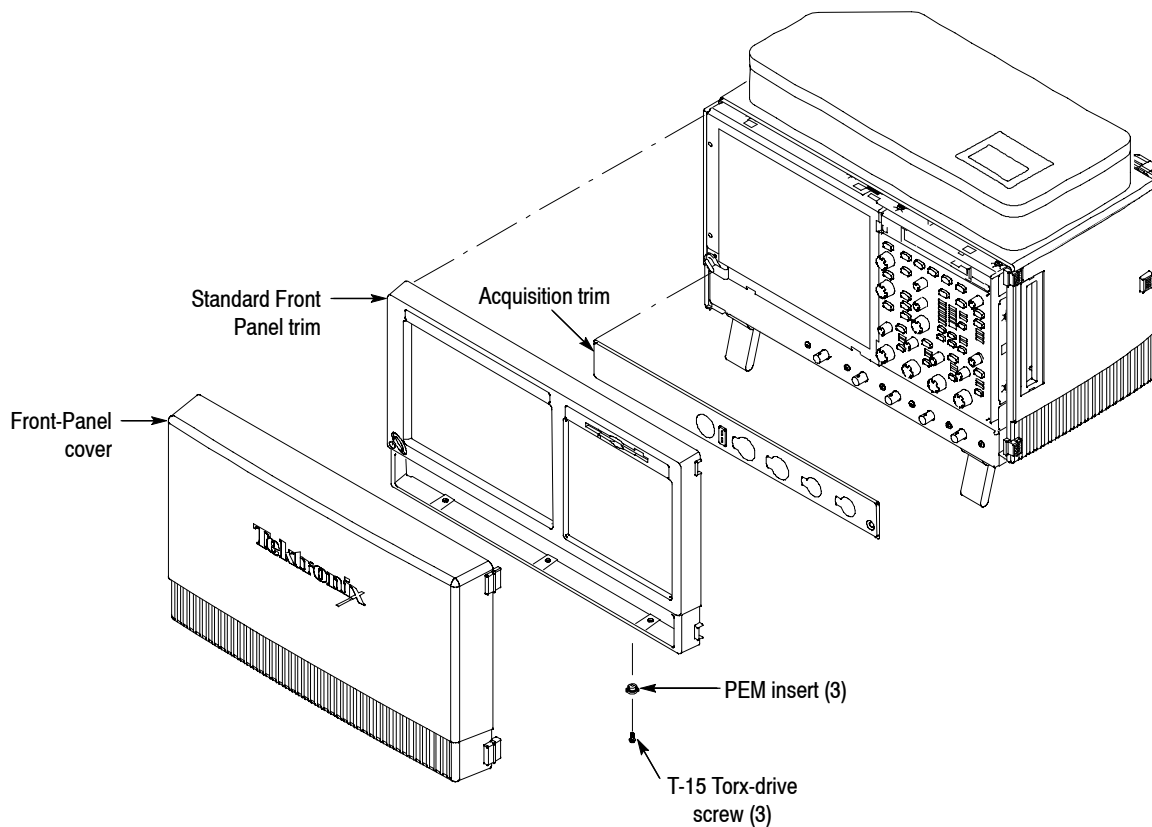


Figure 2: Trim removal

Display Assembly Removal

1. Locate the Display assembly. See Figure 3 on page 6.
2. Orient the oscilloscope: Set the oscilloscope on the work surface with the Front Panel facing you.
3. Remove the Display assembly. See Figure 3.
 - a. Remove the four T-15 Torx-screws that secure the display assembly to the chassis.

- b.** Grasp the display assembly at the finger reliefs (located at the top-right and bottom-left corners of the display assembly), and pull forward far enough to allow access to the flex cable connector.
- c.** Disconnect the J5 flex cable from the display assembly. Remove the display module assembly from the oscilloscope.

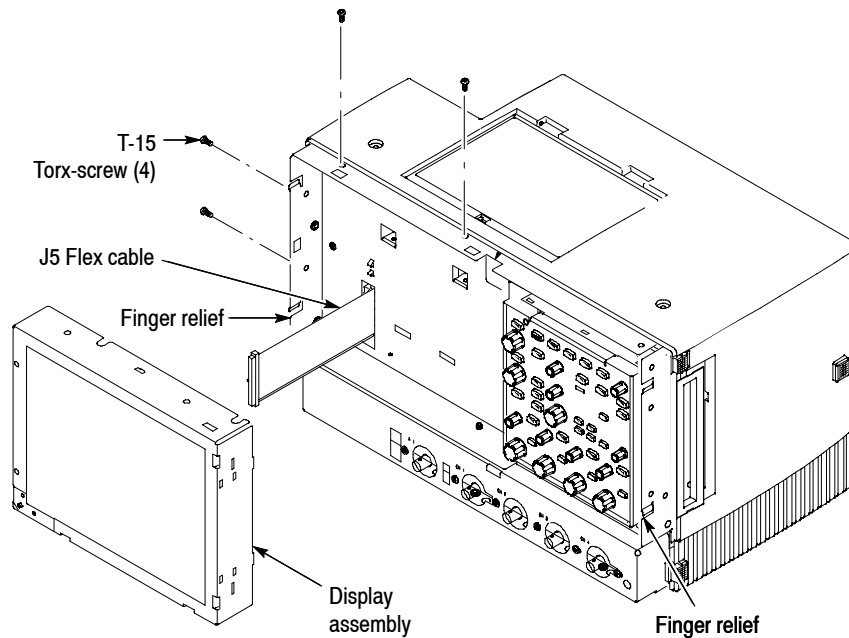


Figure 3: Display assembly removal

- 4.** Remove and disconnect the following from the old display assembly:
 - a.** Disconnect cables J1, J4, and J7 from the Display Adapter circuit board. See Figure 4 on page 7.
 - b.** Disconnect the LCD light connector (S) from the Inverter circuit board.
 - c.** Disconnect the cable that connects between the Display Adapter (J6) to Inverter (CN1) circuit boards.
 - d.** Remove the two number 0 Phillips screws that secure the Inverter circuit board to the display assembly. Save the Inverter board and Phillips screws for later reassembly onto the new display assembly.
- 5.** Install the old LCD assembly to the new display assembly, using the four T-15 Torx-drive screws from the old display assembly.

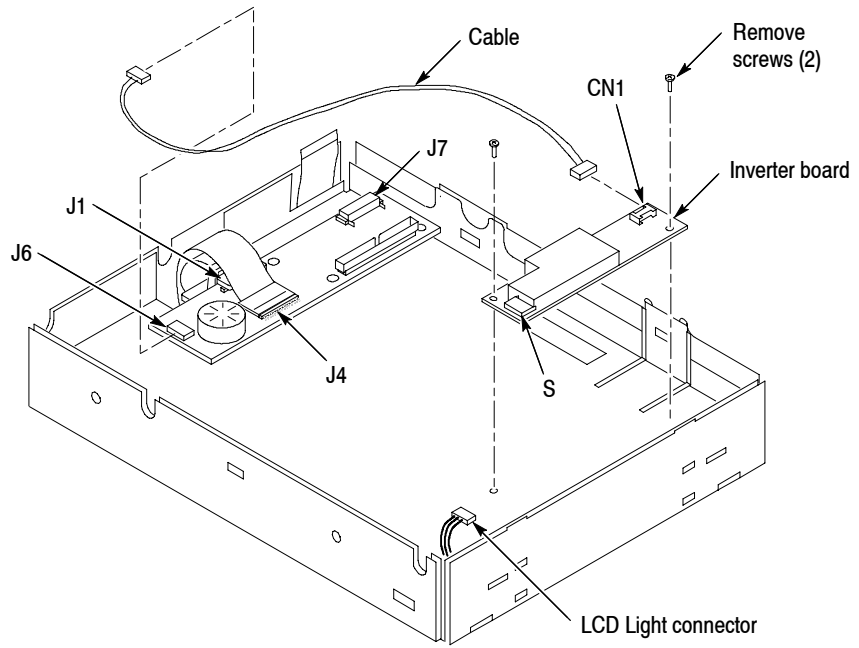


Figure 4: Remove Inverter circuit board



CAUTION. To prevent damage to the touch screen from scratches or cuts, make sure you take care not to contact the screen surface with any sharp tools.

- a. Separate the display assembly by carefully prying the (outer) touch screen panel assembly from the (inner) LCD assembly. Insert a flat-bladed screwdriver in the access notches to push out on the Touch panel assembly. See Figure 5.
- b. Remove the four T-15 Torx-drive screws that secure the old LCD to the old LCD assembly. See Figure 6 for T-15 screw locations.
- c. Install the old LCD into the new LCD assembly using the T-15 screws removed from the old LCD assembly.

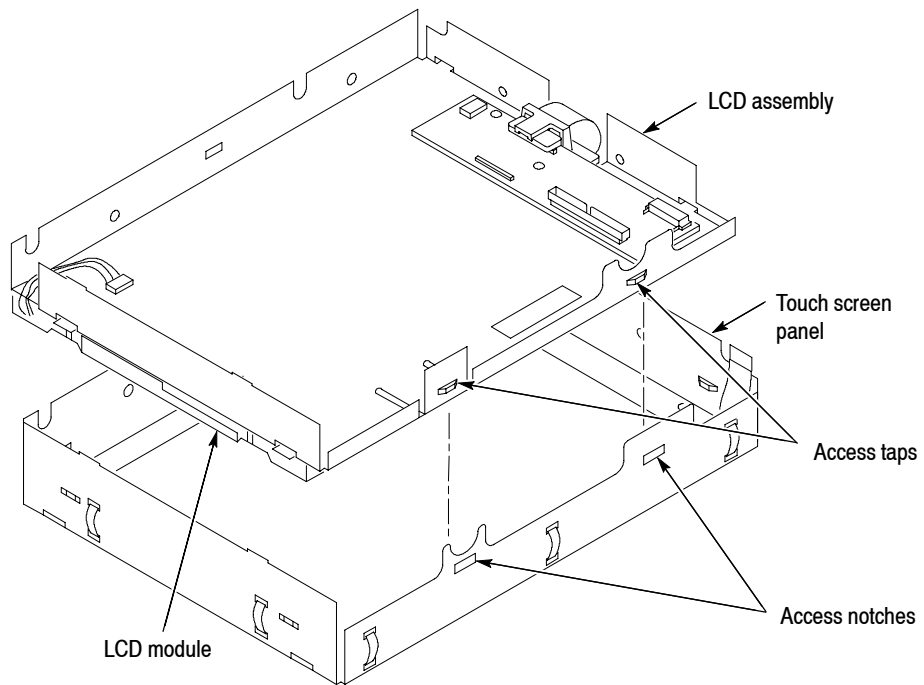


Figure 5: Remove/install the LCD assembly and touch screen panel

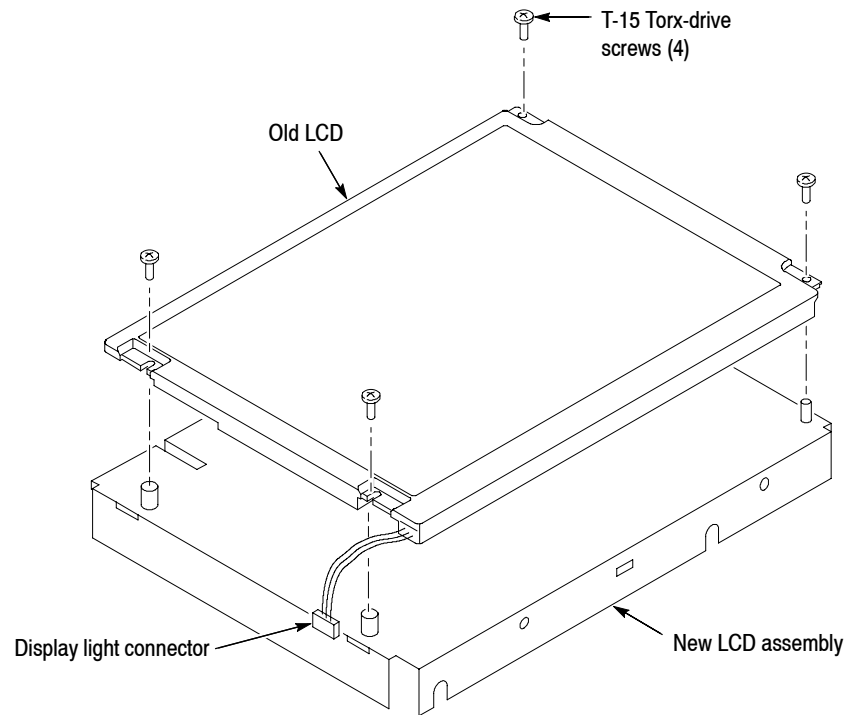


Figure 6: Install the old display to the new rear bracket assembly

6. Install the new LCD assembly and touch screen panel by sliding them together until tabs snap into the notches. See Figure 6.
7. Install the new Inverter circuit board into the new LCD assembly using the two number 0 Phillips screws removed from the old display assembly.

8. Connect the new cable between the (CN1) and (J6) connectors on the Inverter and Display Adapter circuit boards. See Figure 7.
9. Connect the LCD light connector (S) to the Inverter circuit board.

NOTE. The LCD and Inverter/Display connector housings have contacts visible on one side; make sure this side is facing up toward the installer when you connect the cable to both circuit boards.

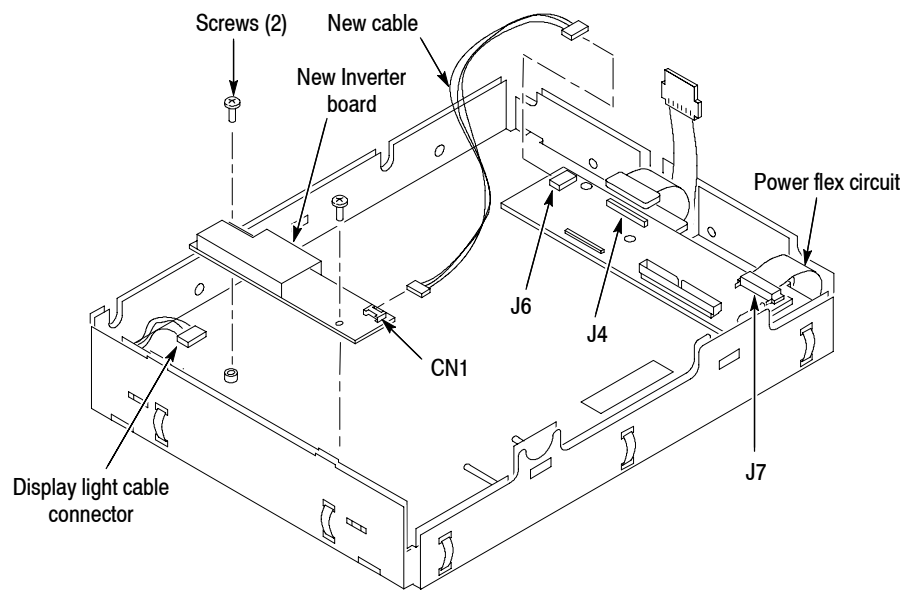


Figure 7: Install the Inverter circuit board

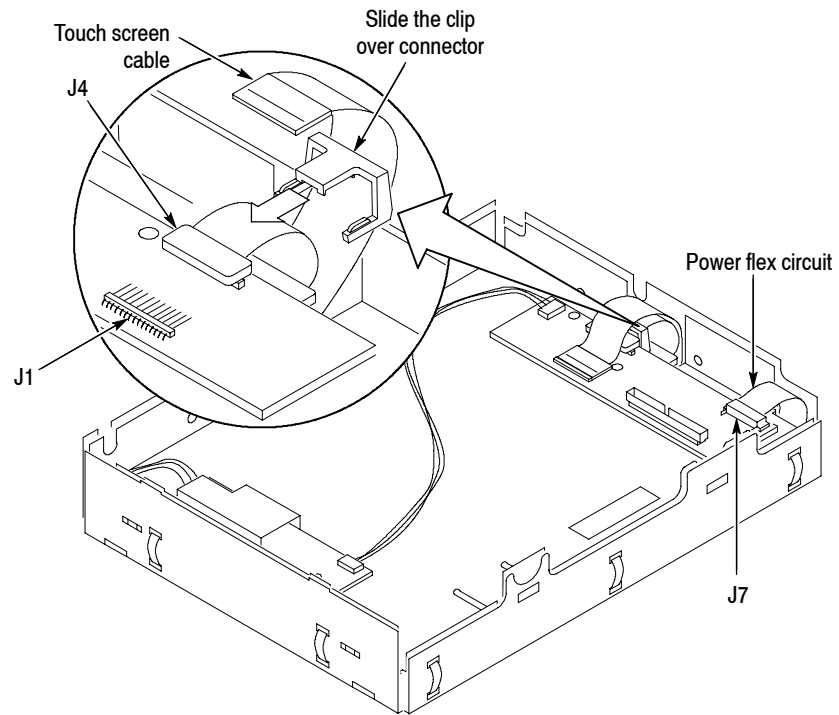


Figure 8: Cable clamp installation detail

- 10.** Connect the display cable to J4 on the Display Adapter circuit board. Slide the cable clamp (provided in this kit) over the cable and under the Display Adapter circuit board to secure the cable to the connector. See Figure 8.
- 11.** Connect the touch screen cable to the J1 connector on the Display Adapter circuit board.
- 12.** Do in reverse steps 1 through 3 on page 5, to reinstall the Display assembly into the instrument.

Front-Panel Assembly

The following procedure replaces the front subpanel and keypad with the new touch screen assembly:

1. Set the oscilloscope bottom side down on the work surface and face the Front Panel toward you. See Figure 9 on page 13.
2. Remove the six T-15 Torx-screws that secure the Front-Panel assembly to the front chassis.
3. Grasp the top of Front-Panel assembly and pull it forward to allow access to the ribbon-cable connector on the Front-Panel board.



CAUTION. *To prevent damage to the touch screen from scratches or cuts, make sure you take care not to contact the screen surface with any sharp tools.*

4. Use the $\frac{1}{8}$ inch flat-bladed screwdriver to carefully lift the J1 cable connector lock up to disconnect the J1 flex cable from the display module assembly. See Figure 10 on page 13. Note the pin 1 index mark on the connector and the black stripe on the cable for later reassembly.
5. Pull the Front-Panel assembly forward and remove it from the oscilloscope.

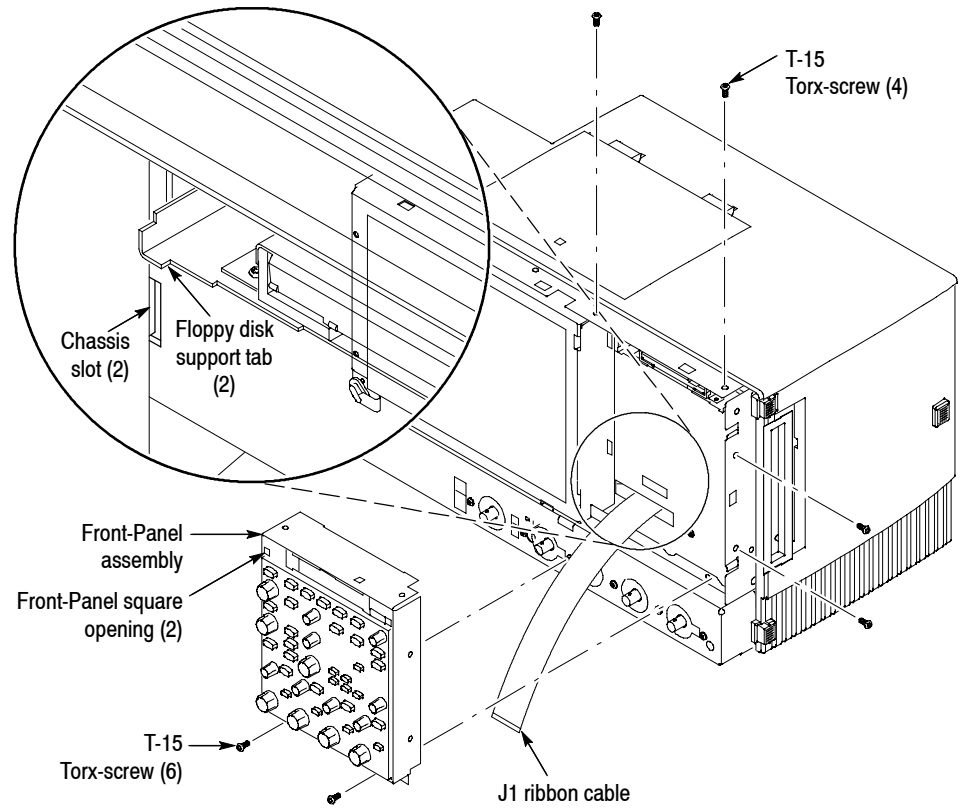


Figure 9: Front-Panel assembly removal

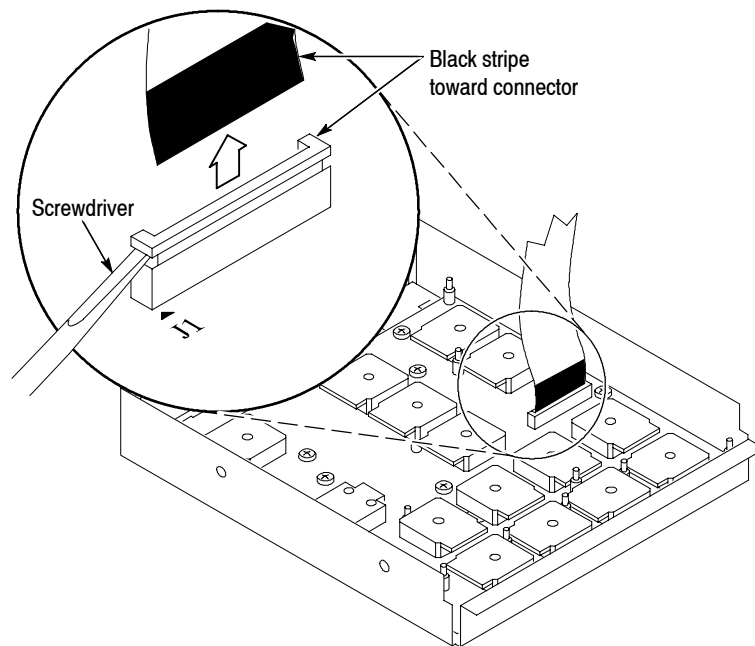


Figure 10: J1 flex cable connector removal

Front-Panel Board

Remove the Front-Panel board by doing the following steps. See Figure 11.

1. Remove the eight T-15 Torx-screws that secure the Front-Panel board to the front subpanel assembly.
2. Pry the board up off the alignment studs: Place a flat-bladed screwdriver in the pry-point access holes to pry the board up from the assembly.
3. Remove the board from the assembly. Set the board aside for later reassembly. Discard the old front subpanel.

Front-Panel Keypad

Remove the Front-Panel keypad by doing the following steps. See Figure 11.

1. Pull on each of the keypad support guides to separate the keypad from the board. Use a pair of tweezers or equivalent tool to pull the twelve keypad support guides.
2. Remove the keypad from the Front-Panel board. Discard the keypad.

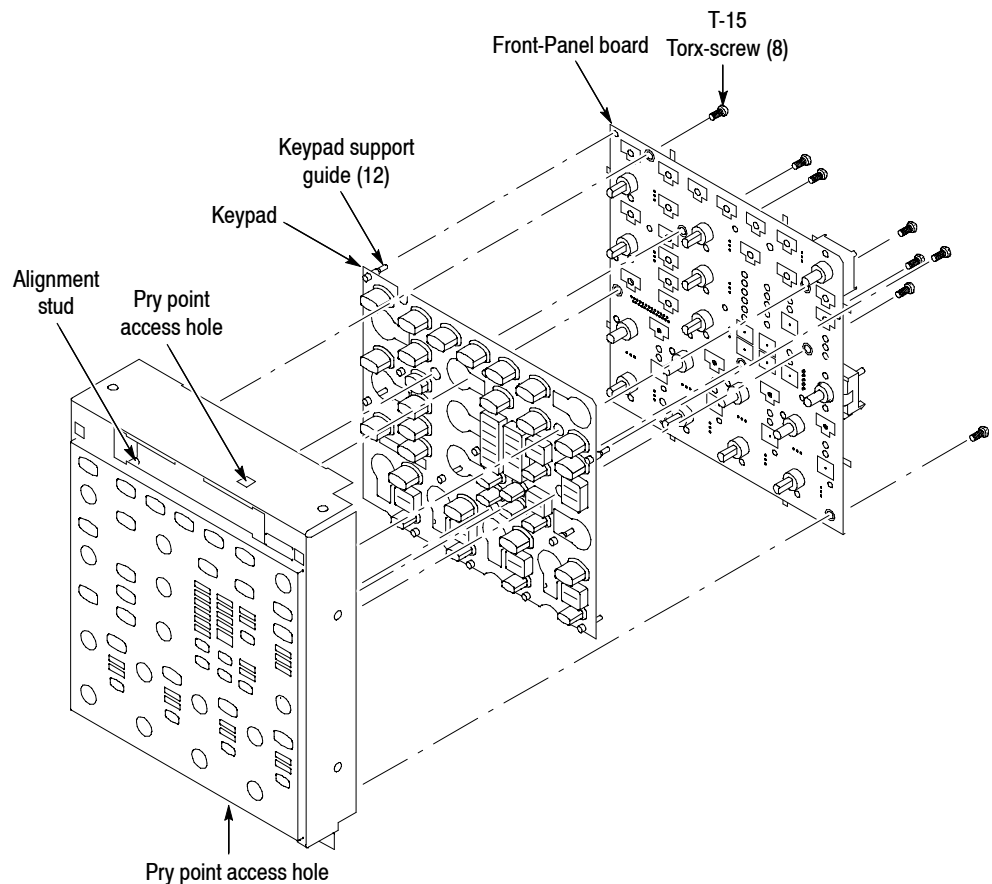


Figure 11: Front subpanel board and keypad removal



CAUTION. *When removing or installing the keypad, make sure you do not touch the switch contacts with your fingers. The oils in your fingers will degrade or damage the switch contacts. To help prevent damage to the keypad use cotton gloves when removing or installing the keyboard pad.*

3. Install the new keypad, old Front-Panel board, new front subpanel, and then install the Front-Panel assembly back into the instrument. Do in reverse step 2 on page 14 through step 1 on page 12. See the following instructions:
 - a. Make sure the keypad is aligned properly on the Front-Panel board.
 - b. Make sure the ribbon cable is routed without being pinched between the chassis and Front-Panel when installing the Front-Panel into the chassis.
 - c. Insert the two floppy disk support tabs into the Front Panel square openings. Both left Front-Panel tabs must go into the chassis slots. See Figure 9 on page 13.
4. Reinstall the Front-Panel trim, line fuse, and line cord. Do in reverse steps 1 through 3 on page 4.

Gamma Settings

Use the following procedure to optimize the display appearance. Try both settings (steps 8 and 12 on page 18), to determine what display looks best to you.

1. Right click on the desktop.
2. Click the Properties menu.

3. Click the Settings tab. See Figure 12.

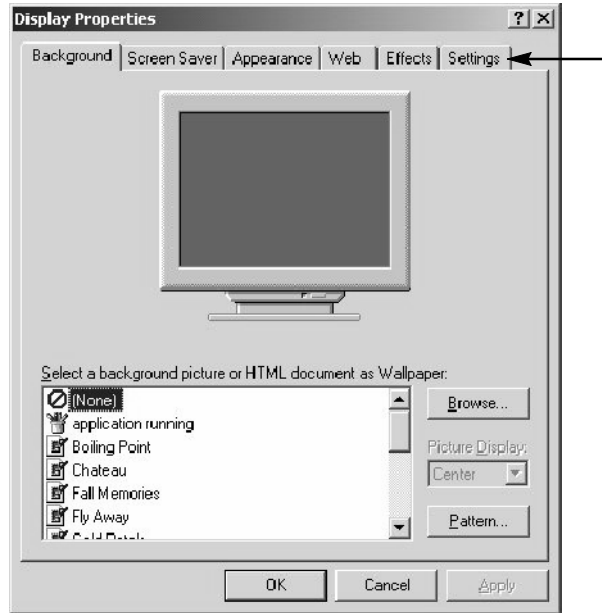


Figure 12: Settings tab

4. Click the Advanced button. See Figure 13.

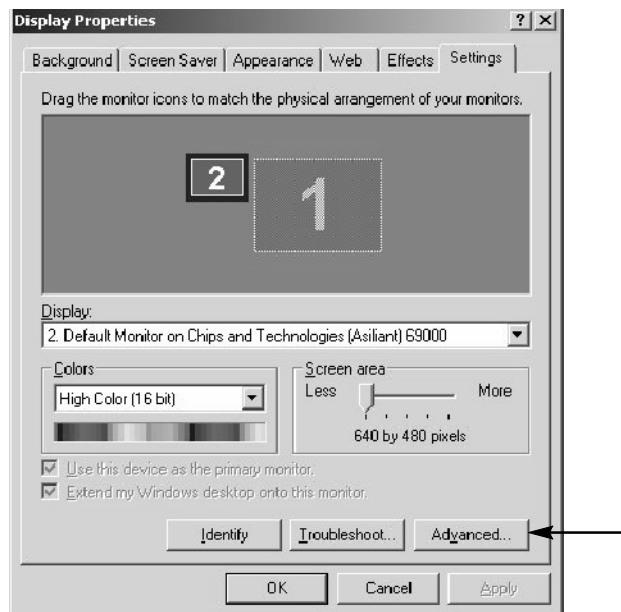


Figure 13: Advanced button

5. Click the Color tab. See Figure 14.

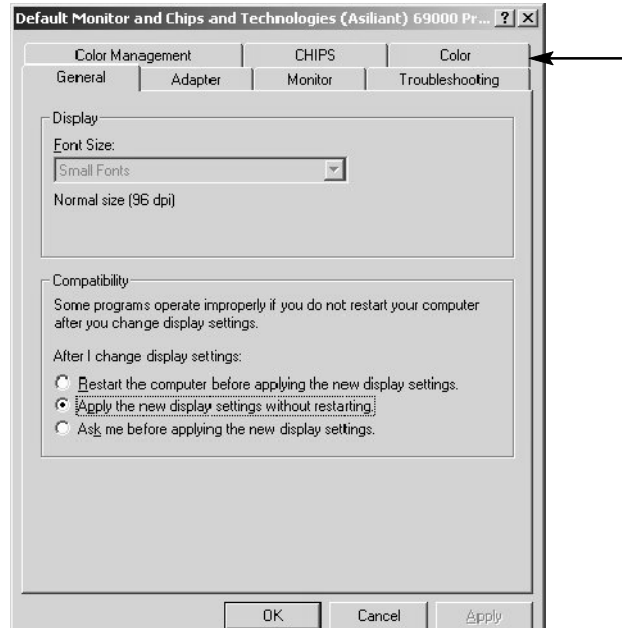


Figure 14: Color tab

6. Select the Desktop graphics and Video buttons. See Figure 15.
7. In the Color menu select All.

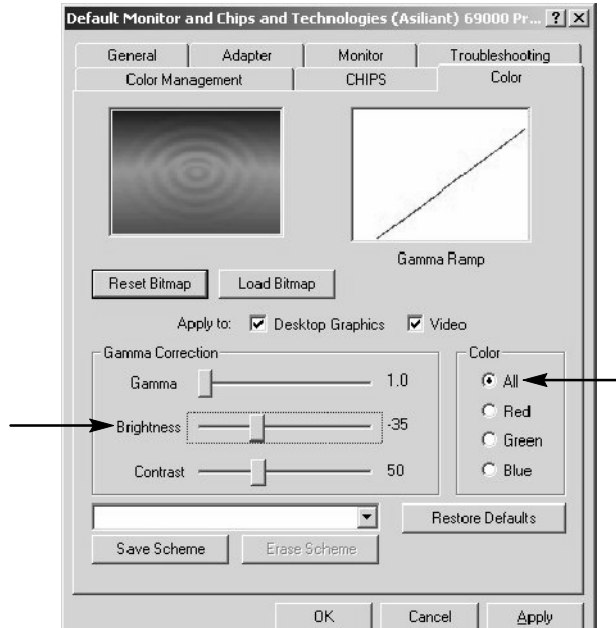


Figure 15: Brightness and button settings

8. Slide the Brightness bar to -35.
9. Click OK.
10. Click OK on the Display menu.
11. Go to the Scope display to verify how the display looks.
12. Repeat steps 1 through 11, except slide the brightness bar to -40 in step 8.
13. Set the gamma setting that looks best to you; -35 or -40.

Touch Screen Set Up

For the touch screen set-up instructions, refer to the CD booklet that came with your Touch Screen Switcher Tool CD.

■ End of document ■