

**RSA6100A Series Real-Time Spectrum Analyzers**  
**RSA5100A Series Real-Time Signal Analyzers**  
**Programmer Manual**

Copyright © Tektronix. All rights reserved. Licensed software products are owned by Tektronix or its subsidiaries or suppliers, and are protected by national copyright laws and international treaty provisions.

Tektronix products are covered by U.S. and foreign patents, issued and pending. Information in this publication supersedes that in all previously published material. Specifications and price change privileges reserved.

TEKTRONIX and TEK are registered trademarks of Tektronix, Inc.

### **Contacting Tektronix**

Tektronix, Inc.  
14150 SW Karl Braun Drive  
P.O. Box 500  
Beaverton, OR 97077  
USA

For product information, sales, service, and technical support:

- In North America, call 1-800-833-9200.
- Worldwide, visit [www.tektronix.com](http://www.tektronix.com) to find contacts in your area.

---

# Table of Contents

Preface .....	v
Related Documentation .....	v

## Getting Started

Getting Started .....	1-1
Overview of the Manual .....	1-1
Connecting the Interface .....	1-2
Using the GPIB Port .....	1-3
Setting the GPIB Address .....	1-4
Using TekVISA .....	1-5

## Syntax and Commands

Command Syntax .....	2-1
Backus-Naur Form Definition .....	2-1
SCPI Commands and Queries .....	2-1
IEEE 488.2 Common Commands .....	2-6
Constructed Mnemonics .....	2-7
Command Groups .....	2-8
Measurement Views .....	2-8
Functional Groups .....	2-10
Programming Hints .....	2-11
IEEE Common Commands .....	2-12
Obsolete Commands .....	2-13
Abort Commands .....	2-14
Calculate Commands .....	2-15
Marker Mnemonics .....	2-25
Calibration Commands .....	2-26
Display Commands .....	2-27
Fetch Commands .....	2-40
Initiate Commands .....	2-51
Input Commands .....	2-52
Mass Memory Commands .....	2-53
Specifying the File .....	2-56

Output Commands.....	2-57
Read Commands.....	2-58
Sense Commands.....	2-68
Status Commands.....	2-86
System Commands.....	2-88
Trace Commands.....	2-89
Trace Mnemonics.....	2-94
Trigger commands.....	2-95
Unit Commands.....	2-97
Retrieving Response Message.....	2-98
Command Descriptions.....	2-99

## Status and Events

Status and Events.....	3-1
Status and Event Reporting System.....	3-1
Status Byte.....	3-4
Standard Event Status Block.....	3-5
Operation Status Block.....	3-6
Questionable Status Block.....	3-7
Queues.....	3-9
Status and Event Processing Sequence.....	3-9
Synchronizing Execution.....	3-11
Error Messages and Codes.....	3-13
Command Errors.....	3-13
Execution Errors.....	3-14
Device Specific Errors.....	3-15
Query Errors.....	3-16
Device Errors.....	3-16
Status Conditions.....	3-20
Global Status.....	3-20
Measurement Status.....	3-20
Source Status.....	3-21

## Appendices

Appendix A: Character Charts.....	A-1
Appendix B: GPIB Interface Specification.....	B-1
Interface Functions.....	B-1
Interface Messages.....	B-2

---

Appendix C: Factory Initialization Settings .....	C-1
Appendix D: SCPI Conformance Information .....	D-1
Appendix E: Creating a DPX Frame Access Plugin .....	E-1
Appendix F: RSA3000 Series to RSA6100A/RSA5100A Command Reference .....	F-1
IEEE Common Commands .....	F-1
Abort Command Group .....	F-2
Calculate Command Group .....	F-2
Calibrate Commands .....	F-4
Configure Commands .....	F-5
Data Command Group .....	F-10
Display Command Group .....	F-10
Fetch Command Group .....	F-56
Format Command Group .....	F-64
HCOPY Command Group .....	F-64
Initiate Command Group .....	F-64
Input Command Group .....	F-65
Instrument Command Group .....	F-65
Mass Memory Command Group .....	F-65
Output Command Group .....	F-67
Program Command Group .....	F-67
Read Command Group .....	F-68
Sense Command Group .....	F-74
Status Command Group .....	F-107
System Command Group .....	F-108
Trace Command Group .....	F-108
Trigger Command Group .....	F-110
Unit Command Group .....	F-111

## Glossary



---

# Preface

This programmer manual covers the RSA6100A Series Real-Time Spectrum Analyzers. It provides information on operating your analyzer using the General Purpose Interface Bus (GPIB).

This manual is composed of the following sections

- *Getting Started* outlines how to use the GPIB interface.
- *Syntax and Commands* defines the syntax used in command descriptions, presents a list of all command subsystems, and presents detailed descriptions of all programming commands.
- *Status and Events* describes how the status and Events Reporting system operates and presents a list of all system errors.
- *Appendices* provides additional information including character charts, GPIB interface specification, and factory initialization settings.

## Related Documentation

- *RSA6100A Series Quick Start User Manual*  
(Tektronix part number 071-1909-XX)  
This manual contains general information about how to put your instrument into service, guides to user interface controls, and application examples.
- *RSA6100A Series Online Help*  
The online help contains detailed information about how to operate the instrument.
- *TekVISA Programmer Manual*  
(Tektronix part number 071-1101-XX)  
This manual is available as a printable PDF file on the Tektronix Web site ([www.tektronix.com](http://www.tektronix.com)). The manual describes TekVISA, the Tektronix implementation of the VISA Application Programming Interface (API). TekVISA is industry-compliant software for writing interoperable instrument drivers in a variety of Application Development Environments (ADEs).





---

# Getting Started



# Getting Started

You can write computer programs that remotely set the analyzer front panel controls or that take measurements and read those measurements for further analysis or storage. To help you get started with programming the analyzer, this section includes the following subsections

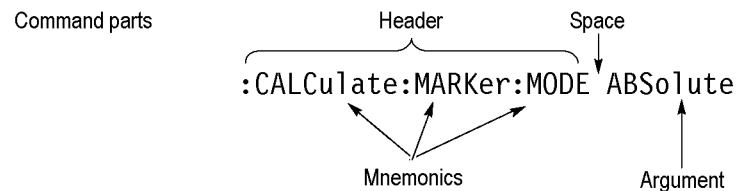
- *Overview of the Manual*  
Summarizes each major section of this manual.
- *Connecting the Interface*  
Describes how to physically connect the analyzer to a controller.
- *Using GPIB Ports*  
Describes how to use the GPIB port.
- *Setting the GPIB Address*  
Describes how to set the GPIB parameters from the front panel.
- *Using TekVISA*  
Describes how to use the TekVISA communication protocol.

## Overview of the Manual

The information contained in each major section of this manual is described below.

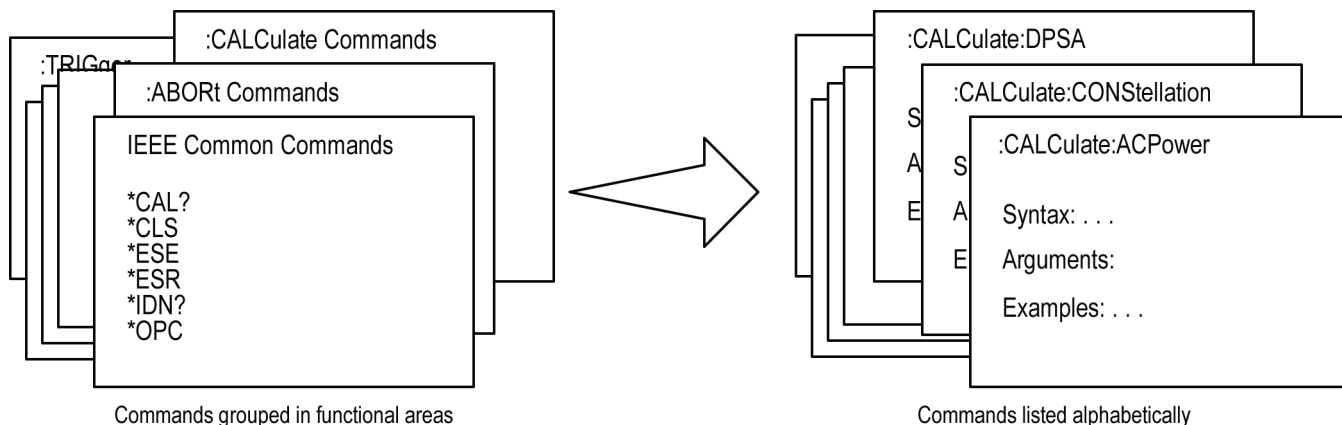
### Syntax and Commands

*Syntax and Commands*, describes the structure and content of the messages your program sends to the analyzer. The following figure shows command parts as described in the *Command Syntax* subsection.



**Figure 1-1: Command parts**

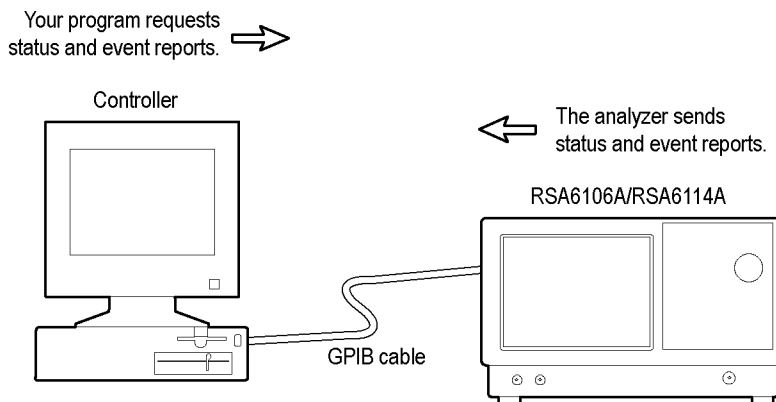
Section 2 also describes the effect of each command and provides examples of how you might use it. The *Command Groups* subsection provides lists by functional areas. The commands are listed alphabetically in the *Command Descriptions* section.



**Figure 1-2: Functional groupings and an alphabetical list of commands**

**Status and Events**

The program may request information from the instrument. The instrument provides information in the form of status and error messages. The following figure illustrates the basic operation of this system. Section 3, *Status and Events*, describes how to get status or event information from the program and details the event and error messages.



**Figure 1-3: Event-driven program**

**Connecting the Interface**

The instrument has a 24-pin GPIB connector on its rear panel, as shown in the following figure. This connector has a D-type shell and conforms to IEEE Std 488.1-1987. Attach an IEEE Std 488.1-1987 GPIB cable (Tektronix part number 012-0991-00) to this connector.

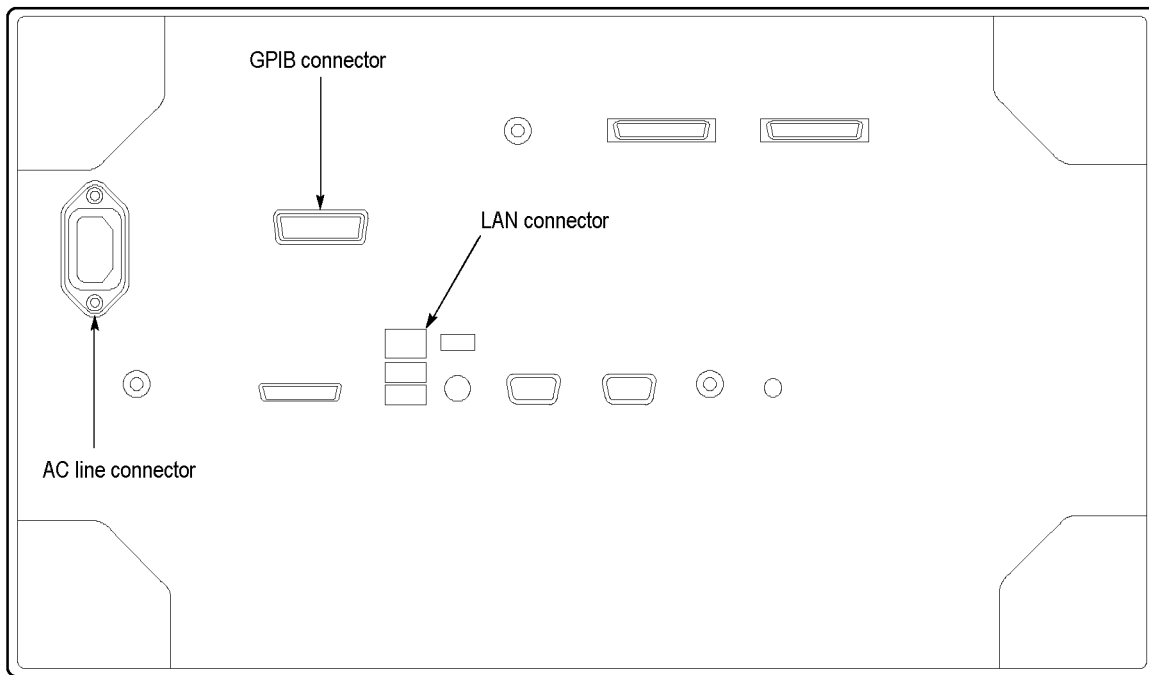


Figure 1-4: GPIB connector (rear panel)

*Appendix B: GPIB Interface Specifications* gives more information on the GPIB configuration of the analyzer. For the other interfaces, refer to the *RSA6100A Series Quick Start User Manual*.

## Using the GPIB Port

The analyzer has Talker/Listener functions through which it can communicate with other devices, as well as the external controller, located on the bus.

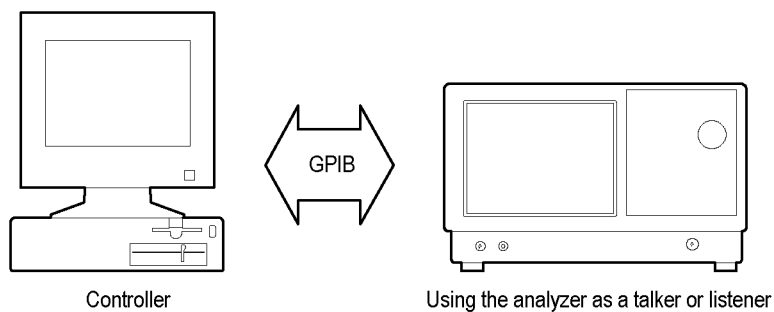


Figure 1-5: GPIB connection

### GPIB Requirements

Observe the following rules when you use your analyzer with a GPIB network

- Assign a unique device address to each device on the bus. No two devices can share the same device address.
- Do not connect more than 15 devices to any one bus.
- Connect one device for every 2 m (6 ft) of cable used.
- Do not use more than 20 m (65 ft) of cable to connect devices to a bus.
- Turn on at least 2/3 of the devices on the network while using the network.
- Connect the devices on the network in a star or linear configuration, as shown in the following figure. Do not use loop or parallel configurations.

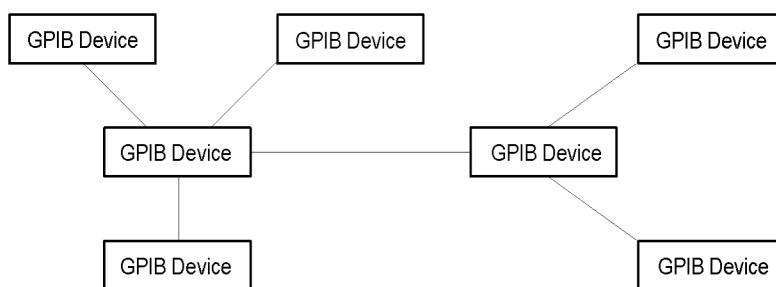
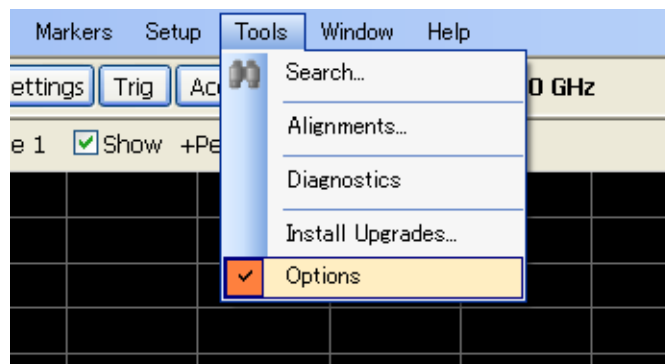


Figure 1-6: Typical GPIB network configurations

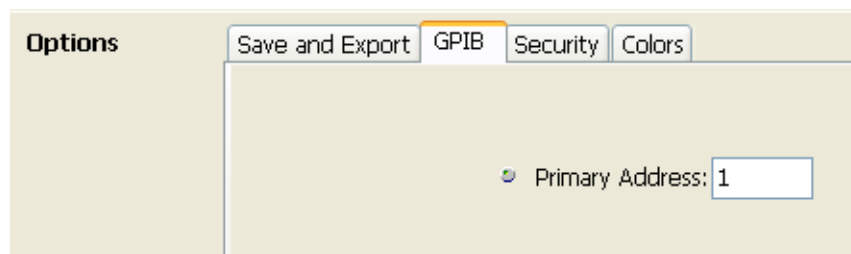
### Setting the GPIB Address

When you use the GPIB port to communicate with an external controller, follow these steps to set the address of the analyzer.

1. From the **Tools** menu, select **Options** to open the Options control panel.



2. Click the **GPIB** tab and set the primary address. Range: 0 to 30 (default: 1)




---

**NOTE.** The GPIB address cannot be initialized by the \*RST command.

---

## Using TekVISA

TekVISA is Tektronix implementation of VISA (Virtual Instrument Software Architecture), an industry-standard communication protocol. VISA provides a common standard for software developers so that software from multiple vendors, such as instrument drivers, can run on the same platform. TekVISA is industry-compliant software, available with selected Tektronix instruments. You can use this software to write (or draw) interoperable instrument drivers in a variety of Application Development Environments (ADEs). It implements a subset of Version 2.2 of the VISA specification for controlling GPIB and serial (RS-232) instrument interfaces locally or remotely via an Ethernet LAN connection.

### Installation

Use an internet browser to access the Tektronix Web site ([www.tektronix.com](http://www.tektronix.com)) and download the current TekVISA to your PC. Unzip the downloaded file in a temporary directory of your choice and run *Setup.exe*.

---

**NOTE.** The details on TekVISA concepts and operations are explained in the *TekVISA Programmer Manual* that can be also found on the Tektronix Web site.

---





---

# Syntax and Commands



# Command Syntax

This section contains information on the Standard Commands for Programmable Instruments (SCPI) and IEEE 488.2 Common Commands you can use to program your RSA6106A/RSA6114A analyzer. The information is organized in the following subsections

- Backus-Naur Form Definition
- SCPI Commands and Queries
- IEEE 488.2 Common Commands
- Constructed Mnemonics

## Backus-Naur Form Definition

This manual may describe commands and queries using the Backus-Naur Form (BNF) notation. The following table defines the standard BNF symbols.

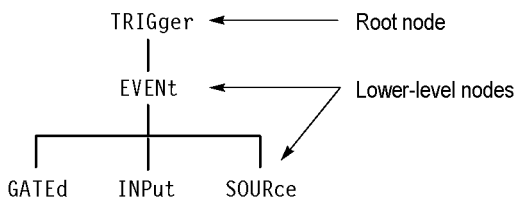
**Table 2-1: BNF symbols and meanings**

Symbol	Meaning
< >	Defined element
:=	Is defined as
	Exclusive OR
{ }	Group; one element is required
[ ]	Optional; can be omitted
...	Previous element(s) may be repeated
( )	Comment

## SCPI Commands and Queries

SCPI is a standard created by a consortium that provides guidelines for remote programming of instruments. These guidelines provide a consistent programming environment for instrument control and data transfer. This environment uses defined programming messages, instrument responses, and data format across all SCPI instruments, regardless of manufacturer. The analyzer uses a command language based on the SCPI standard.

The SCPI language is based on a hierarchical or tree structure as shown in the following figure that represents a subsystem. The top level of the tree is the root node; it is followed by one or more lower-level nodes.



**Figure 2-1: Example of SCPI subsystem hierarchy tree**

You can create commands and queries from these subsystem hierarchy trees. Commands specify actions for the instrument to perform. Queries return measurement data and information about parameter settings.

**Creating Commands**

SCPI commands are created by stringing together the nodes of a subsystem hierarchy and separating each node by a colon.

In the figure above, TRIGger is the root node and EVENT, GATEd, INPut, and SOURce are lower-level nodes. To create a SCPI command, start with the root node TRIGger and move down the tree structure adding nodes until you reach the end of a branch. Most commands and some queries have parameters; you must include a value for these parameters. If you specify a parameter value that is out of range, the parameter will be set to a default value. The command descriptions, list the valid values for all parameters.

For example, TRIGgerEVENT:SOURce EXTRear is a valid SCPI command created from the hierarchy tree. (See Figure 2-1.)

**Creating Queries**

To create a query, start at the root node of a tree structure, move down to the end of a branch, and add a question mark. TRIGgerEVENT:SOURce? is an example of a valid SCPI query using the hierarchy tree in the figure. (See Figure 2-1.)

**Query Responses**

The query causes the analyzer to return information about its status or settings. When a query is sent to the analyzer, only the values are returned. When the returned value is a mnemonic, it is noted in abbreviated format, as shown in the following table.

**Table 2-2: Query response examples**

Query	Response
CALCulate:SPECTrum:MARKer:X	7.50E+9
SENSe:SPECTrum:FFT:WINDow	BH4B

A few queries also initiate an operation action before returning information. For example, the \*CAL? query runs a calibration.

## Parameter Types

Every parameter in the command and query descriptions is of a specified type. The parameters are enclosed in brackets, such as <value>. The parameter type is listed after the parameter and is enclosed in parentheses, for example, (boolean). Some parameter types are defined specifically for the RSA6100A Series command set and some are defined by ANSI/IEEE 488.2-1987 as shown in the following table.

**Table 2-3: Parameter types used in syntax descriptions**

Parameter type	Description	Example
arbitrary block <sup>1</sup>	A specified length of arbitrary data	#512234xxxxx . . . where 5 indicates that the following 5 digits (12234) specify the length of the data in bytes; xxxxx ... indicates the data
boolean	Boolean numbers or values	ON or 1; OFF or 0
binary	Binary numbers	#B0110
octal	Octal numbers	#Q57, #Q3
hexadecimal <sup>2</sup>	Hexadecimal numbers (0-9, A, B, C, D, E, F)	#HAA, #H1
NR1 <sup>2</sup> numeric	Integers	0, 1, 15, -1
NR2 <sup>2,3</sup> numeric	Decimal numbers	1.2, 3.141516, -6.5
NR3 <sup>2</sup> numeric	Floating point numbers	3.1415E-9, -16.1E5
NRf <sup>2</sup> numeric	Flexible decimal number that may be type NR1, NR2 or NR3	See NR1, NR2, and NR3 examples
string <sup>4</sup>	Alphanumeric characters (must be within quotation marks)	"Testing 1, 2, 3"

<sup>1</sup> Defined in ANSI/IEEE 488.2 as "Definite Length Arbitrary Block Response Data."

<sup>2</sup> An ANSI/IEEE 488.2-1992-defined parameter type.

<sup>3</sup> Some commands and queries will accept an octal or hexadecimal value even though the parameter type is defined as NR1.

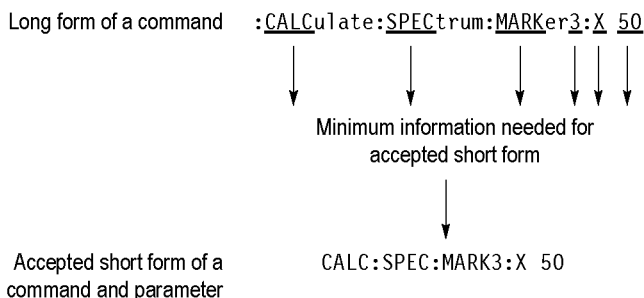
<sup>4</sup> Defined in ANSI/IEEE 488.2 as "String Response Data."

## Special Characters

The Line Feed (LF) character (ASCII 10), and all characters in the range of ASCII 127-255 are defined as special characters. These characters are used in arbitrary block arguments only; using these characters in other parts of any command yields unpredictable results.

## Abbreviating Commands, Queries, and Parameters

You can abbreviate most SCPI commands, queries, and parameters to an accepted short form. This manual shows these short forms as a combination of upper and lower case letters. The upper case letters indicate the accepted short form of a command. As shown in the following figure, you can create a short form by using only the upper case letters. The accepted short form and the long form are equivalent and request the same action of the instrument.

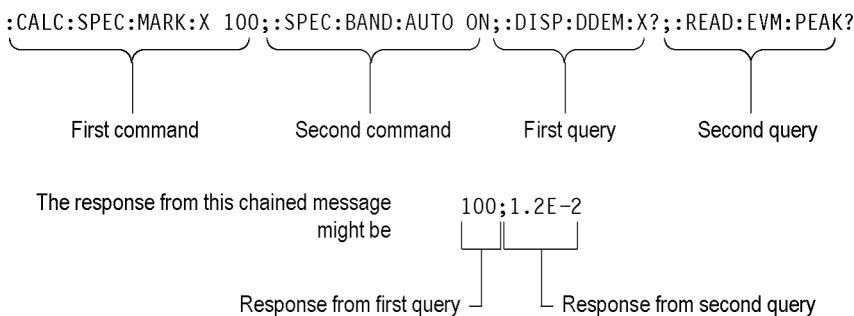


**Figure 2-2: Example of abbreviating a command**

**NOTE.** The numeric suffix of a command or query may be included in either the long form or short form; the analyzer will default to "1" if no suffix is used. In the above figure, the "3" of "MARKer3" indicates that the command is directed to Marker 3.

### Chaining Commands and Queries

You can chain several commands or queries together into a single message. To create a chained message, first create a command or query, add a semicolon (;), and then add more commands or queries and semicolons until the message is complete. If the command following a semicolon is a root node, precede it with a colon (:). The following figure illustrates a chained message consisting of several commands and queries. The single chained message should end in a command or query, not a semicolon. Responses to any queries in your message are separated by semicolons.



**Figure 2-3: Example of chaining commands and queries**

If a command or query has the same root and lower-level nodes as the previous command or query, you can omit these nodes. In the following figure, the second command has the same root node (TRIGgerEVENT) as the first command, so these nodes can be omitted.

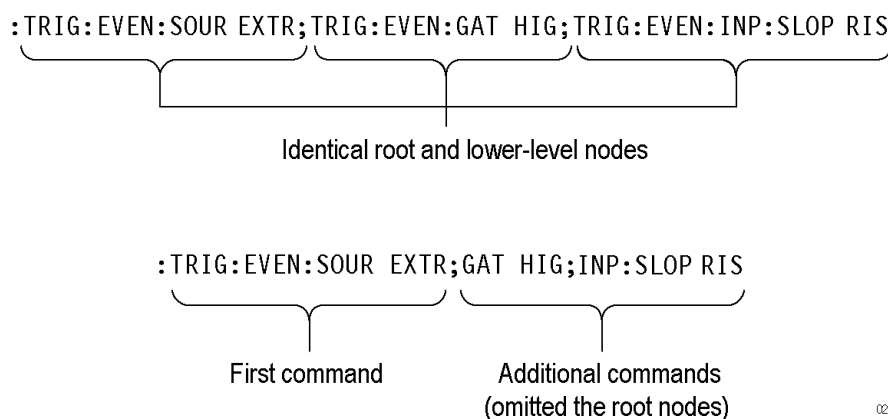


Figure 2-4: Example of omitting root and lower-level nodes in a chained message

### Unit and SI Prefix

If the decimal numeric argument refers to amplitude, frequency, or time, you can express it using SI units instead of using the scaled explicit point input value format <NR3>. (SI units are units that conform to the Systeme International d'Unites standard.) For example, you can use the input format 200 mV or 1.0 MHz instead of 200.0E-3 or 1.0E+6, respectively, to specify voltage or frequency.

The following table lists the available units.

Table 2-4: Available units

Symbol	Meaning
dB	decibel (relative amplitude)
dBm	decibel (absolute amplitude)
DEG	degree (phase)
Hz	hertz (frequency)
PCT	percent (%)
s	second (time)
V	volt

The available SI prefixes are shown in the following table.

Table 2-5: Available SI prefixes

SI prefix	Z	A	F	P	N	U	M	K	MA <sup>1</sup>	G	T	PE	EX
Corresponding power	10 <sup>-21</sup>	10 <sup>-18</sup>	10 <sup>-15</sup>	10 <sup>-12</sup>	10 <sup>-9</sup>	10 <sup>-6</sup>	10 <sup>-3</sup>	10 <sup>+3</sup>	10 <sup>+6</sup>	10 <sup>+9</sup>	10 <sup>+12</sup>	10 <sup>+15</sup>	10 <sup>+18</sup>

<sup>1</sup> When the unit is "Hz", "M" may be used instead of "MA" so that the frequency can be represented by "MHz".

You can omit a unit in a command, but you must include the unit when using a SI prefix. For example, frequency of 15 MHz can be described as follows

15.0E6, 1.5E7Hz, 15000000, 15000000Hz, 15MHz, etc.  
("15M" is not allowed.)

Note that you can use either lower or upper case units and prefixes. The following examples have the same result, respectively.

170mHz, 170MHz, 170MHz, etc.  
 250mv, 250mV, 250MV, etc.

### General Rules

Here are three general rules for using SCPI commands, queries, and parameters:

- You can use single ( ' ') or double ( " ") quotation marks for quoted strings, but you cannot use both types of quotation marks for the same string.

correct        "This string uses quotation marks correctly."  
 correct        'This string also uses quotation marks correctly.'  
 incorrect      "This string does not use quotation marks correctly.'

- You can use upper case, lower case, or a mixture of both cases for all commands, queries, and parameters.

SENSE:SPECTRUM:FFT:LENGTH 1024

is the same as

sense:spectrum:fft:length 1024

and

SENSE:spectrum:FFT:length 1024

---

**NOTE.** *Literal strings (quoted) are case sensitive, for example, file names.*

---

- No embedded spaces are allowed between or within nodes.

correct        SENSE:SPECTRUM:FFT:LENGTH 1024  
 incorrect      SENSE: SPECTRUM: FFT: LEN GTH 1024

## IEEE 488.2 Common Commands

**Description**    ANSI/IEEE Standard 488.2 defines the codes, formats, protocols, and usage of common commands and queries used on the interface between the controller and the instruments. The analyzer complies with this standard.



## Command and Query Structure

The syntax for an IEEE 488.2 common command is an asterisk (\*) followed by a command and, optionally, a space and parameter value. The syntax for an IEEE 488.2 common query is an asterisk (\*) followed by a query and a question mark. All of the common commands and queries are listed in the last part of the *Syntax and Commands* section. The following are examples of common commands:

- \*ESE 16
- \*CLS

The following are examples of common queries

- \*ESR
- \*IDN

## Constructed Mnemonics

Some header mnemonics specify one of a range of mnemonics. For example, a trace mnemonic can be either TRACe1, TRACe2, TRACe3, or TRACe4. You use these mnemonics in the command just as you do any other mnemonic. For example, there is a TRACe1:SPECTrum:FUNCTion command, and there is also a TRACe2:SPECTrum:FUNCTion command. In the command descriptions, this list of choices is abbreviated as TRACe<x>. The value of <x> is the upper range of valid suffixes. If the numeric suffix is omitted, the analyzer uses the default value of "1".

**Table 2-6: Constructed mnemonics**

Symbol	Meaning
MARKer<x>	A marker specifier where <x> = 0, 1, 2, 3, or 4. Refer to <i>Marker Mnemonics</i>
RANGe<x>	A range specifier where <x> = 1 to 20. Refer to <i>[SENSe]:SPURious Subgroup</i> for details.
SPUR<x>	A spurious specifier where <x> = 1 to the number of spurious signals. Refer to <i>FETCh :READ:SPURious Subgroup</i> for details, respectively.
TRACe<x>	A trace specifier where <x> = 0, 1, 2, 3, 4, or 5. Refer to <i>TRACe Commands</i> for details.

## Command Groups

This section lists the RSA6100A Series analyzer commands in two ways. It first presents them by functional groups. It then lists them alphabetically. The functional group list starts below. The alphabetical list provides more detail on each command.

The RSA6100A Series analyzers conform to the Standard Commands for Programmable Instruments (SCPI) 1999.0 and IEEE Std 488.2-1987 except where noted.

Items followed by question marks are queries; items without question marks are commands. Some items in this section have a question mark in parentheses () in the command header section; this indicates that the item can be both a command and a query.

For the conventions of notation in this manual, refer to *Command Syntax* and following pages.

## Measurement Views

The measurement views in the RSA6100A Series analyzers are categorized into the following groups:

- General signal viewing
- General purpose analog demodulation (Option 21 only)
- General purpose digital modulation (Option 21 only)
- RF measurements
- OFDM analysis
- Pulsed RF (Option 20 only)
- Audio analysis

Each group contains the measurement views as shown in the following table. Each command works in particular measurement view(s) which are specified under the *Conditions* heading in the command descriptions.

---

**NOTE.** *If you send a command for the measurement view that is not displayed on screen, an execution error will occur.*

---

**Table 2-7: Measurement views**

<b>Display group</b>	<b>Measurement view</b>
General signal viewing	Spectrum
	DPX (Digital Phosphor) spectrum
	Amplitude versus Time
	Frequency versus Time
	Phase versus Time
	RF I&Q versus Time
	Spectrogram
	Time overview
General purpose analog demodulation (Option 21 only)	AM
	FM
	PM
General purpose digital modulation (Option 21 only)	Constellation
	Demodulated I&Q vs Time
	EVM versus Time
	Eye diagram
	Frequency deviation vs Time
	Magnitude error versus Time
	Phase error versus Time
	Signal quality
	Symbol table
Trellis diagram	
Audio analysis	Audio spectrum
	Audio summary
RF measurements	CCDF
	Channel power and ACPR (Adjacent Channel Power Ratio)
	MCPR (Multiple Carrier Power Ratio)
	Occupied Bandwidth (OBW)
	Phase noise (Option 11 only)
	SEM (Spectral Emissions Mask)
	Spurious

**Table 2-7: Measurement views (cont.)**

<b>Display group</b>	<b>Measurement view</b>
OFDM analysis	OFDM Channel Response
	OFDM Constellation
	OFDM EVM
	OFDM Magnitude Error
	OFDM Phase Error
	OFDM Power
	OFDM Summary
	OFDM Symbol Table
Pulsed RF (Option 20 only)	Pulse statistics
	Pulse table
	Pulse trace

## Functional Groups

All commands are divided into groups as shown in the following table.

**Table 2-8: List of command group**

<b>Command group</b>	<b>Function</b>
IEEE common	Conforms to the IEEE Std 488.2.
ABORt	Resets the trigger system and stops measurements.
CALCulate	Controls the markers and the search operations.
CALibration	Controls the external correction.
DISPlay	Controls the display of measurement results and waveforms.
FETCH	Retrieves the measurements from the last acquired data.
INITiate	Controls data acquisition.
INPut	Controls the characteristics of the signal input.
MMEMory	Provides mass storage capabilities for the analyzer.
OUTPut	Controls the characteristics of the signal output.
READ	Obtains the measurement results with acquiring data.
SENSe	Sets up detailed conditions for each measurement.
STATus	Controls the status and event registers.
SYSTem	Sets or queries system parameters for operation.
TRACe	Controls trace activation and math operations.
TRIGger	Controls triggering.
UNIT	Specifies fundamental units for measurement.

## Programming Hints

Here are some basic tips for using the RSA6100A Series GPIB commands:

- *Selecting a measurement item*  
Use Display commands to select or display the measurement view.  
[Example] `DISPlay:GENeral:MEASview:NEW SPECTrum`  
Displays the spectrum view on the screen.
- *Setting measurement parameters*  
Use Sense commands to set conditions for the measurement session.  
[Example] `SENSe:SPECTrum:FREQUENCY:CENTer 1.5GHZ`  
Sets the center frequency to 1.5 GHz in the spectrum view.
- *Acquiring an input signal*  
Use an Initiate or Abort command to start or stop data acquisition.  
[Example] `INITiate:CONTInuous ON;INITiate:IMMediate`  
Starts data acquisition in the continuous mode.
- *Processing waveforms arithmetically*  
Use Trace commands for math operation on waveforms.  
[Example] `TRACe1:SPECTrum:FUNCTion`  
`AVERAge` Averages the spectrum waveform.
- *Measuring with the markers*  
Use Calculate commands to measure some quantity using the markers.  
[Example] `CALCuLate:SPECTrum:MARKer1:MAXimum`  
Positions the marker at the highest peak signal on the spectrum.
- *Obtaining the measurement results*  
Use a Fetch or Read command to get the results.  
[Example] `FETCH:SPECTrum:TRACe1`  
Returns the spectrum trace data.
- *Scaling the waveform*  
Use Display commands to change the waveform portion on screen.  
[Example] `DISPlay:IQVTime:Y:SCALE 1.5`  
Sets the vertical range to 1.5 V in the IQ versus Time graph.

Refer to *Appendix C* for the default settings of the commands. (See page C-1.)

The following sections list the commands by group.

## IEEE Common Commands

The IEEE 488.2 common commands have a "\*" prefix.

**Table 2-9: Status and error commands**

Header	Description
*CAL	Performs an internal self-calibration.
*CLS	Clears status.
*ESE	Sets or queries the bits in the ESER register.
*ESR?	Returns the contents of the SESR register.
*IDN?	Returns the instrument identification code.
*OPC	Synchronizes commands.
*OPT?	Returns a list of options installed in your analyzer.
*RST	Returns the instrument settings to the factory defaults.
*SRE	Sets or queries the bits in the SRER register.
*STB?	Returns the contents of the SBR using the MSS bit.
*TRG	Generates a trigger.
*WAI	Prevents the analyzer from executing further commands.

# Obsolete Commands

The following table lists obsolete commands and their replacements.

**Table 2-10: Obsolete and replacement commands**

Obsolete commands	Replacement commands
[SENSe:]PULSe:ANALyze:MEASurement:TIME:AUTO	[SENSe:]PULSe:ANALyze:FDOMain:MEASurement:TIME:ALENght
[SENSe:]PULSe:ANALyze:MEASurement:TIME:START	[SENSe:]PULSe:ANALyze:FDOMain:MEASurement:TIME:METHod
[SENSe:]PULSe:ANALyze:MEASurement:TIME:STOP	[SENSe:]PULSe:ANALyze:FDOMain:MEASurement:TIME:RELENght
	[SENSe:]PULSe:ANALyze:FDOMain:MEASurement:TIME:RLEVel
	[SENSe:]PULSe:ANALyze:FDOMain:MEASurement:TIME:START
	[SENSe:]PULSe:ANALyze:IRESpone:MEASurement:TIME:ALENght
	[SENSe:]PULSe:ANALyze:IRESpone:MEASurement:TIME:METHod
	[SENSe:]PULSe:ANALyze:IRESpone:MEASurement:TIME:RELENght
	[SENSe:]PULSe:ANALyze:IRESpone:MEASurement:TIME:RLEVel
	[SENSe:]PULSe:ANALyze:IRESpone:MEASurement:TIME:START
	[SENSe:]PULSe:ANALyze:OVERshoot:MEASurement:TIME:ALENght
	[SENSe:]PULSe:ANALyze:OVERshoot:MEASurement:TIME:METHod
	[SENSe:]PULSe:ANALyze:OVERshoot:MEASurement:TIME:RELENght
	[SENSe:]PULSe:ANALyze:OVERshoot:MEASurement:TIME:RLEVel
	[SENSe:]PULSe:ANALyze:OVERshoot:MEASurement:TIME:START
[SENSe:]PULSe:FREFerence:CHIRpbw(?)	[SENSe:]PULSe:FREFerence:CSlope

## Abort Commands

Use the Abort commands to reset the trigger system and to stop measurements.

**Table 2-11: Abort commands**

<b>Header</b>	<b>Description</b>
<a href="#">ABORT</a>	Resets the trigger system and stops measurements.



# Calculate Commands

Use the Calculate commands to control the markers and the search operations.

Table 2-12: Calculate commands

Header	Description
<b>CALCulate basic command subgroup</b>	<b>General marker control</b>
CALCulate:MARKer:ADD	Adds a marker.
CALCulate:MARKer:AOff	Turns off all markers.
CALCulate:MARKer:DELeTe	Deletes the last marker added.
CALCulate:MARKer:DENSity:EXCursion	Sets or queries the minimum excursion of DPX signal density.
CALCulate:MARKer:DENSity:SMOothing	Sets or queries the number of pixels squared for smoothing the density.
CALCulate:MARKer:DENSity:THReshold	Sets or queries the threshold of DPX signal density to detect peaks.
CALCulate:MARKer:DRAG:SEARch:STATe	Enables or disables peak searching when dragging a marker in a plot.
CALCulate:MARKer:MODE	Sets or queries the marker mode.
CALCulate:MARKer:PEAK:EXCursion	Sets or queries the minimum excursion level.
CALCulate:MARKer:PEAK:THReshold	Sets or queries the threshold level to detect peaks.
CALCulate:SEARch:LIMit:FAIL?	Queries whether the waveform cuts across the limit or not.
CALCulate:SEARch:LIMit:MATCh:BEEP[:STATe]	Sets or queries whether to beep when a match occurs.
CALCulate:SEARch:LIMit:MATCh:SACQuire[:STATe]	Sets or queries whether to stop acquiring data on match.
CALCulate:SEARch:LIMit:MATCh:SDATa[:STATe]	Sets or queries whether to save the acquisition data automatically.
CALCulate:SEARch:LIMit:MATCh:SPICture[:STATe]	Sets or queries whether to save the whole screen automatically.
CALCulate:SEARch:LIMit:MATCh:STRace[:STATe]	Sets or queries whether to save the spectrum trace automatically.
CALCulate:SEARch:LIMit:OPERation	Sets or queries the limit operation in the search function.
CALCulate:SEARch:LIMit:OPERation:FEED	Sets or queries the data flow to be fed in the search operation.
CALCulate:SEARch:LIMit:OPERation:MASK:LOAD	Loads the limit mask from a specified file for the search operation.
CALCulate:SEARch:LIMit:OPERation:MASK:STORE	Stores the limit mask to a specified file for the search operation.
CALCulate:SEARch:LIMit:OPERation:SLIMit	Sets or queries the limit value in the search operation.
CALCulate:SEARch:LIMit:REPort:DATA?	Returns the frequency range(s) that satisfy the search condition.
CALCulate:SEARch:LIMit:REPort:POINts?	Returns the number of range(s) that satisfy the search condition.
CALCulate:SEARch:LIMit:STATe	Sets or queries whether to enable or disable the search function.
<b>CALCulate:ACPower subgroup</b>	<b>Channel power and ACPR measurement</b>
CALCulate:ACPower:MARKer<x>:DELTA:X?	Returns the delta marker frequency for the selected marker.
CALCulate:ACPower:MARKer<x>:DELTA:Y?	Returns the delta marker amplitude for the selected marker.
CALCulate:ACPower:MARKer<x>:MAXimum	Moves the marker to the highest peak on the trace.
CALCulate:ACPower:MARKer<x>:PEAK:LEFT	Moves the marker to the next peak to the left on the trace.
CALCulate:ACPower:MARKer<x>:PEAK:RIGHT	Moves the marker to the next peak to the right on the trace.
CALCulate:ACPower:MARKer<x>:X	Sets or queries the horizontal position of the marker.
CALCulate:ACPower:MARKer<x>:Y?	Queries the marker amplitude of the selected marker.

Table 2-12: Calculate commands (cont.)

Header	Description
<b>CALCulate:{AM FM PM} subgroup (Option 21 only)</b>	<b>AM/FM/PM measurement</b>
CALCulate:{AM FM PM}:MARKer<x>:DELTA:X?	Returns the delta marker time for the selected marker.
CALCulate:{AM FM PM}:MARKer<x>:DELTA:Y?	Returns the delta marker amplitude for the selected marker.
CALCulate:{AM FM PM}:MARKer<x>:MAXimum	Moves the marker to the highest peak on the trace.
CALCulate:{AM FM PM}:MARKer<x>:PEAK:HIGHer	Moves the marker to the next peak higher in amplitude.
CALCulate:{AM FM PM}:MARKer<x>:PEAK:LEfT	Moves the marker to the next peak to the left on the trace.
CALCulate:{AM FM PM}:MARKer<x>:PEAK:LOWer	Moves the marker to the next peak lower in amplitude.
CALCulate:{AM FM PM}:MARKer<x>:PEAK:RIGHt	Moves the marker to the next peak to the right on the trace.
CALCulate:{AM FM PM}:MARKer<x>:X	Sets or queries the horizontal position (time) of the marker.
CALCulate:{AM FM PM}:MARKer<x>:Y?	Queries the marker amplitude of the selected marker.
<b>CALCulate:AUDio subgroup</b>	<b>Audio measurements</b>
CALCulate:AUDio:HARMonic:HNUMber	Sets or queries the number of harmonics.
CALCulate:AUDio:HARMonic:NHNumber	Sets or queries the number of non-harmonics.
CALCulate:AUDio:NHARmonic:EXCursion	Sets or queries the non-harmonic excursion value.
CALCulate:AUDio:NHARmonic:IGNore	Sets or queries the ignore region of the non-harmonics.
CALCulate:AUDio:NHARmonic:THReshold	Sets or queries the non-harmonic threshold value.
CALCulate:AUDio:SPECtrum:MARKer<x>:DELTA:X?	Returns the delta marker frequency for the selected marker on the spectrum trace.
CALCulate:AUDio:SPECtrum:MARKer<x>:DELTA:Y?	Returns the delta marker amplitude for the selected marker on the spectrum trace.
CALCulate:AUDio:SPECtrum:MARKer<x>:MAXimum	Moves the selected marker to the highest peak on the spectrum trace.
CALCulate:AUDio:SPECtrum:MARKer<x>:PEAK:HIGHer	Moves the selected marker to the next peak higher in amplitude on the spectrum trace.
CALCulate:AUDio:SPECtrum:MARKer<x>:PEAK:LEfT	Moves the selected marker to the next peak to the left on the spectrum trace.
CALCulate:AUDio:SPECtrum:MARKer<x>:PEAK:LOWer	Moves the selected marker to the next peak lower in amplitude on the spectrum trace.
CALCulate:AUDio:SPECtrum:MARKer<x>:PEAK:RIGHt	Moves the selected marker to the next peak to the right on the spectrum trace.
CALCulate:AUDio:SPECtrum:MARKer<x>:TRACe	Sets or queries the trace on which the specified marker is placed in the spectrum measurement.
CALCulate:AUDio:SPECtrum:MARKer<x>:X	Sets or queries the horizontal position of the selected marker on the spectrum trace.
CALCulate:AUDio:SPECtrum:MARKer<x>:Y?	Queries the marker amplitude of the selected marker on the spectrum trace.
<b>CALCulate:AVTime subgroup</b>	<b>Frequency versus Time measurement</b>
CALCulate:AVTime:MARKer<x>:DELTA:X?	Returns the delta marker time for the selected marker.
CALCulate:AVTime:MARKer<x>:DELTA:Y?	Returns the delta marker amplitude for the selected marker.
CALCulate:AVTime:MARKer<x>:MAXimum	Moves the marker to the highest peak on the trace.

Table 2-12: Calculate commands (cont.)

Header	Description
CALCulate:AVTime:MARKer<x>:PEAK:HIGHer	Moves the marker to the next peak higher in amplitude.
CALCulate:AVTime:MARKer<x>:PEAK:LEFT	Moves the marker to the next peak to the left on the trace.
CALCulate:AVTime:MARKer<x>:PEAK:LOWer	Moves the marker to the next peak lower in amplitude.
CALCulate:AVTime:MARKer<x>:PEAK:RIGHT	Moves the marker to the next peak to the right on the trace.
CALCulate:AVTime:MARKer<x>:TRACe	Sets or queries the trace on which the marker is placed.
CALCulate:AVTime:MARKer<x>:X	Sets or queries the horizontal position of the marker.
CALCulate:AVTime:MARKer<x>:Y?	Queries the marker amplitude of the selected marker.
<b>CALCulate:CONSte subgroup (Option 21 only)</b>	<b>Constellation measurement</b>
CALCulate:CONSte:MARKer<x>:DELTA:X[:TIME]?	Returns the delta marker time for the selected marker.
CALCulate:CONSte:MARKer<x>:FDEVIation?	Queries the frequency deviation of the selected marker.
CALCulate:CONSte:MARKer<x>:MAGNitude?	Queries the magnitude readout of the marker.
CALCulate:CONSte:MARKer<x>:MAXimum	Positions the marker at the symbol in the center of the time record.
CALCulate:CONSte:MARKer<x>:PEAK:LEFT	Moves the marker in the time domain to the next lower symbol number.
CALCulate:CONSte:MARKer<x>:PEAK:RIGHT	Moves the marker in the time domain to the next higher symbol number.
CALCulate:CONSte:MARKer<x>:PHASe?	Queries the phase readout of the marker.
CALCulate:CONSte:MARKer<x>:SYMBOL?	Queries the symbol readout of the marker.
CALCulate:CONSte:MARKer<x>:VALue?	Queries the value readout of the marker.
CALCulate:CONSte:MARKer<x>:X	Sets or queries the time position of the marker on the trace.
<b>CALCulate:DIQVtime subgroup (Option 21 only)</b>	<b>Demodulated I&amp;Q versus Time measurement</b>
CALCulate:DIQVtime:MARKer<x>:DELTA:X[:TIME]?	Returns the delta marker time for the selected marker.
CALCulate:DIQVtime:MARKer<x>:DELTA:Y?	Returns the delta marker amplitude for the selected marker.
CALCulate:DIQVtime:MARKer<x>:MAXimum	Moves the marker to the highest peak on the trace.
CALCulate:DIQVtime:MARKer<x>:PEAK:HIGHer	Moves the marker to the next peak higher in amplitude.
CALCulate:DIQVtime:MARKer<x>:PEAK:LEFT	Moves the marker to the next peak to the left on the trace.
CALCulate:DIQVtime:MARKer<x>:PEAK:LOWer	Moves the marker to the next peak lower in amplitude.
CALCulate:DIQVtime:MARKer<x>:PEAK:RIGHT	Moves the marker to the next peak to the right on the trace.
CALCulate:DIQVtime:MARKer<x>:TRACe	Places the selected marker on the Demodulated I&Q versus Time trace.
CALCulate:DIQVtime:MARKer<x>:X[:TIME]	Sets or queries the horizontal position (time) of the marker.
CALCulate:DIQVtime:MARKer<x>:Y?	Queries the marker amplitude of the selected marker.
<b>CALCulate:DPX subgroup</b>	<b>DPX spectrum measurement</b>
CALCulate:DPX:MARKer<x>:DELTA:X:AMPLitude?	Returns the delta marker amplitude for the selected marker.
CALCulate:DPX:MARKer<x>:DELTA:X[:FREQUENCY]?	Returns the delta marker frequency for the selected marker.
CALCulate:DPX:MARKer<x>:DELTA:Y?	Returns the delta marker amplitude for the selected marker.
CALCulate:DPX:MARKer<x>:MAXimum	Moves the marker to the highest peak on the trace.
CALCulate:DPX:MARKer<x>:PEAK:HIGHer	Moves the marker to the next peak higher in amplitude.
CALCulate:DPX:MARKer<x>:PEAK:LEFT	Moves the marker to the next peak to the left on the trace.
CALCulate:DPX:MARKer<x>:PEAK:LOWer	Moves the marker to the next peak lower in amplitude.

Table 2-12: Calculate commands (cont.)

Header	Description
CALCulate:DPX:MARKer<x>:PEAK:RIGHT	Moves the marker to the next peak to the right on the trace.
CALCulate:DPX:MARKer<x>[:SET]:CENTer	Sets the center frequency to the marker frequency.
CALCulate:DPX:MARKer<x>:TRACe	Sets or queries the trace to attach the marker to.
CALCulate:DPX:MARKer<x>:X:AMPLitude	Sets or queries the amplitude position of the marker.
CALCulate:DPX:MARKer<x>:X[:FREQuency]	Sets or queries the frequency position of the marker.
CALCulate:DPX:MARKer<x>:Y?	Queries the marker amplitude of the selected marker.
<b>CALCulate:DPX subgroup (Option 200)</b>	<b>DPX spectrum measurements</b>
CALCulate:DPX:MARKer<x>:X:PHASe	Sets or queries the phase position of the selected marker.
CALCulate:DPX:MARKer<x>:X:TIME	Sets or queries the time position of the selected marker.
<b>CALCulate:EDIagram subgroup (Option 21 only)</b>	<b>Eye diagram</b>
CALCulate:EDIagram:MARKer<x>:DELTA:X[:TIME]?	Returns the delta marker time for the selected marker.
CALCulate:EDIagram:MARKer<x>:DELTA:Y?	Returns the delta marker amplitude for the selected marker.
CALCulate:EDIagram:MARKer<x>:MAXimum	Moves the marker to the highest peak on the trace.
CALCulate:EDIagram:MARKer<x>:PEAK:HIGHer	Moves the marker to the next peak higher in amplitude.
CALCulate:EDIagram:MARKer<x>:PEAK:LEFT	Moves the marker to the next peak to the left on the trace.
CALCulate:EDIagram:MARKer<x>:PEAK:LOWer	Moves the marker to the next peak lower in amplitude.
CALCulate:EDIagram:MARKer<x>:PEAK:RIGHT	Moves the marker to the next peak to the right on the trace.
CALCulate:EDIagram:MARKer<x>:TRACe	Places a marker on the I or Q trace in the eye diagram display.
CALCulate:EDIagram:MARKer<x>:X[:TIME]	Sets or queries the horizontal position (time) of the marker.
CALCulate:EDIagram:MARKer<x>:Y?	Queries the marker amplitude of the selected marker.
<b>CALCulate:EVM subgroup (Option 21 only)</b>	<b>EVM versus Time measurement</b>
CALCulate:EVM:MARKer<x>:DELTA:X?	Returns the delta marker time for the selected marker.
CALCulate:EVM:MARKer<x>:DELTA:Y?	Returns the delta marker amplitude for the selected marker.
CALCulate:EVM:MARKer<x>:MAXimum	Moves the marker to the highest peak on the trace.
CALCulate:EVM:MARKer<x>:PEAK:HIGHer	Moves the marker to the next peak higher in amplitude.
CALCulate:EVM:MARKer<x>:PEAK:LEFT	Moves the marker to the next peak to the left on the trace.
CALCulate:EVM:MARKer<x>:PEAK:LOWer	Moves the marker to the next peak lower in amplitude.
CALCulate:EVM:MARKer<x>:PEAK:RIGHT	Moves the marker to the next peak to the right on the trace.
CALCulate:EVM:MARKer<x>:X	Sets or queries the horizontal position of the marker.
CALCulate:EVM:MARKer<x>:Y?	Queries the marker amplitude of the selected marker.
<b>CALCulate:FDVTime subgroup (Option 21 only)</b>	<b>Frequency deviation versus Time measurement</b>
CALCulate:FDVTime:MARKer<x>:DELTA:X[:TIME]?	Returns the delta marker time for the selected marker.
CALCulate:FDVTime:MARKer<x>:DELTA:Y?	Returns the delta marker frequency for the selected marker.
CALCulate:FDVTime:MARKer<x>:MAXimum	Moves the marker to the highest peak on the trace.
CALCulate:FDVTime:MARKer<x>:PEAK:HIGHer	Moves the marker to the next peak higher in amplitude.
CALCulate:FDVTime:MARKer<x>:PEAK:LEFT	Moves the marker to the next peak to the left on the trace.
CALCulate:FDVTime:MARKer<x>:PEAK:LOWer	Moves the marker to the next peak lower in amplitude.

Table 2-12: Calculate commands (cont.)

Header	Description
CALCulate:FDVTime:MARKer<x>:PEAK:RIGHT	Moves the marker to the next peak to the right on the trace.
CALCulate:FDVTime:MARKer<x>:X[:TIME]	Sets or queries the horizontal position (time) of the marker.
CALCulate:FDVTime:MARKer<x>:Y?	Queries the marker amplitude of the selected marker.
<b>CALCulate:{FSETtling PSETtling} subgroup</b>	<b>Frequency and Phase Settling measurements</b>
CALCulate:{FSETtling PSETtling}:MARKer<x>:DELTA:X?	Returns the delta marker time for the selected marker in the Frequency and Phase Settling displays.
CALCulate:{FSETtling PSETtling}:MARKer<x>:DELTA:Y?	Returns the delta marker frequency for the selected marker in the Frequency and Phase Settling displays.
CALCulate:{FSETtling PSETtling}:MARKer<x>:MAXimum	Moves the selected marker to the highest peak on the trace in the Frequency or Phase Settling display.
CALCulate:{FSETtling PSETtling}:MARKer<x>:PEAK:HIGHer	Moves the selected marker to the next peak higher in amplitude on the Frequency or Phase Settling trace.
CALCulate:{FSETtling PSETtling}:MARKer<x>:PEAK:LEFT	Moves the selected marker to the next peak to the left on the trace in the Frequency or Phase Settling display.
CALCulate:{FSETtling PSETtling}:MARKer<x>:PEAK:LOWer	Moves the selected marker to the next peak lower in amplitude on the Frequency or Phase Settling trace.
CALCulate:{FSETtling PSETtling}:MARKer<x>:PEAK:RIGHT	Moves the selected marker to the next peak to the right on the trace in the Frequency or Phase Settling display.
CALCulate:{FSETtling PSETtling}:MARKer<x>:X	Sets or queries the horizontal position of the selected marker in the Frequency and Phase Settling display.
CALCulate:{FSETtling PSETtling}:MARKer<x>:Y?	Queries the marker amplitude of the selected marker in the Frequency and Phase Settling display.
<b>CALCulate:FVTime subgroup</b>	<b>Frequency versus Time measurement</b>
CALCulate:FVTime:MARKer<x>:DELTA:X?	Returns the delta marker time for the selected marker.
CALCulate:FVTime:MARKer<x>:DELTA:Y?	Returns the delta marker frequency for the selected marker.
CALCulate:FVTime:MARKer<x>:MAXimum	Moves the marker to the highest peak on the trace.
CALCulate:FVTime:MARKer<x>:PEAK:HIGHer	Moves the marker to the next peak higher in amplitude.
CALCulate:FVTime:MARKer<x>:PEAK:LEFT	Moves the marker to the next peak to the left on the trace.
CALCulate:FVTime:MARKer<x>:PEAK:LOWer	Moves the marker to the next peak lower in amplitude.
CALCulate:FVTime:MARKer<x>:PEAK:RIGHT	Moves the marker to the next peak to the right on the trace.
CALCulate:FVTime:MARKer<x>:X	Sets or queries the horizontal position of the marker.
CALCulate:FVTime:MARKer<x>:Y?	Queries the marker amplitude of the selected marker.
<b>CALCulate:IQVTime subgroup</b>	<b>RF I&amp;Q versus Time measurement</b>
CALCulate:IQVTime:MARKer<x>:DELTA:X?	Returns the delta marker time for the selected marker.
CALCulate:IQVTime:MARKer<x>:DELTA:Y?	Returns the delta marker amplitude for the selected marker.
CALCulate:IQVTime:MARKer<x>:MAXimum	Moves the marker to the highest peak on the trace.
CALCulate:IQVTime:MARKer<x>:PEAK:HIGHer	Moves the marker to the next peak higher in amplitude.
CALCulate:IQVTime:MARKer<x>:PEAK:LEFT	Moves the marker to the next peak to the left on the trace.
CALCulate:IQVTime:MARKer<x>:PEAK:LOWer	Moves the marker to the next peak lower in amplitude.

Table 2-12: Calculate commands (cont.)

Header	Description
CALCulate:IQVTime:MARKer<x>:PEAK:RIGHT	Moves the marker to the next peak to the right on the trace.
CALCulate:IQVTime:MARKer<x>:TRACe	Sets or queries the trace (I or Q) to place the marker.
CALCulate:IQVTime:MARKer<x>:X	Sets or queries the horizontal position of the marker.
CALCulate:IQVTime:MARKer<x>:Y?	Queries the marker amplitude of the selected marker.
<b>CALCulate:MCPower subgroup</b>	<b>MCPR measurement</b>
CALCulate:MCPower:MARKer<x>:DELta:X?	Returns the delta marker frequency for the selected marker.
CALCulate:MCPower:MARKer<x>:DELta:Y?	Returns the delta marker amplitude for the selected marker.
CALCulate:MCPower:MARKer<x>:MAXimum	Moves the marker to the highest peak on the trace.
CALCulate:MCPower:MARKer<x>:PEAK:LEFT	Moves the marker to the next peak to the left on the trace.
CALCulate:MCPower:MARKer<x>:PEAK:RIGHT	Moves the marker to the next peak to the right on the trace.
CALCulate:MCPower:MARKer<x>:X	Sets or queries the horizontal position of the marker.
CALCulate:MCPower:MARKer<x>:Y?	Queries the marker amplitude of the selected marker.
<b>CALCulate:MERRor subgroup (Option 21 only)</b>	<b>Magnitude error versus Time measurement</b>
CALCulate:MERRor:MARKer<x>:DELta:X?	Returns the delta marker time for the selected marker.
CALCulate:MERRor:MARKer<x>:DELta:Y?	Returns the delta marker amplitude for the selected marker.
CALCulate:MERRor:MARKer<x>:MAXimum	Moves the marker to the highest peak on the trace.
CALCulate:MERRor:MARKer<x>:PEAK:HIGHer	Moves the marker to the next peak higher in amplitude.
CALCulate:MERRor:MARKer<x>:PEAK:LEFT	Moves the marker to the next peak to the left on the trace.
CALCulate:MERRor:MARKer<x>:PEAK:LOWer	Moves the marker to the next peak lower in amplitude.
CALCulate:MERRor:MARKer<x>:PEAK:RIGHT	Moves the marker to the next peak to the right on the trace.
CALCulate:MERRor:MARKer<x>:X	Sets or queries the horizontal position of the marker.
CALCulate:MERRor:MARKer<x>:Y?	Queries the marker amplitude of the selected marker.
<b>CALCulate:OBWidth subgroup</b>	<b>Occupied Bandwidth measurement</b>
CALCulate:OBWidth:MARKer<x>:DELta:X?	Returns the delta marker frequency for the selected marker.
CALCulate:OBWidth:MARKer<x>:DELta:Y?	Returns the delta marker amplitude for the selected marker.
CALCulate:OBWidth:MARKer<x>:MAXimum	Moves the marker to the highest peak on the trace.
CALCulate:OBWidth:MARKer<x>:PEAK:HIGHer	Moves the marker to the next peak higher in amplitude.
CALCulate:OBWidth:MARKer<x>:PEAK:LEFT	Moves the marker to the next peak to the left on the trace.
CALCulate:OBWidth:MARKer<x>:PEAK:LOWer	Moves the marker to the next peak lower in amplitude.
CALCulate:OBWidth:MARKer<x>:PEAK:RIGHT	Moves the marker to the next peak to the right on the trace.
CALCulate:OBWidth:MARKer<x>[:SET]:CENTer	Sets the center frequency to the value at the marker position.
CALCulate:OBWidth:MARKer<x>:X	Sets or queries the horizontal position of the marker.
CALCulate:OBWidth:MARKer<x>:Y?	Queries the marker amplitude of the selected marker.
<b>CALCulate:OFDM subgroup</b>	<b>Orthogonal frequency division multiplexing measurement</b>
CALCulate:OFDM:CONSt:MARKer<x>:FREQuency	Sets or queries the frequency position of the selected marker.
CALCulate:OFDM:CONSt:MARKer<x>:MAGNitude?	Queries the marker magnitude of the selected marker.
CALCulate:OFDM:CONSt:MARKer<x>:PHASe?	Queries the phase readout of the selected marker.

Table 2-12: Calculate commands (cont.)

Header	Description
CALCulate:OFDM:CONStE:MARKer<x>:TIME	Sets or queries the X position of the selected marker.
CALCulate:OFDM:CONStE:MARKer<x>:TYPE?	Queries the data type of the selected marker.
CALCulate:OFDM:CONStE:MARKer<x>:VALue?	Queries the value of the specified marker.
CALCulate:OFDM:CRESpOse:MARKer<x>:DELTA:X?	Returns the delta marker frequency for the selected marker.
CALCulate:OFDM:CRESpOse:MARKer<x>:DELTA:Y?	Returns the delta marker frequency for the selected marker.
CALCulate:OFDM:CRESpOse:MARKer<x>:MAXimum	Moves the selected marker to the highest peak.
CALCulate:OFDM:CRESpOse:MARKer<x>:PEAK:HIGHer	Moves the selected marker to the next peak higher in amplitude.
CALCulate:OFDM:CRESpOse:MARKer<x>:PEAK:LEFT	Moves the selected marker to the next peak to the left.
CALCulate:OFDM:CRESpOse:MARKer<x>:PEAK:LOWer	Moves the selected marker to the next peak lower in amplitude.
CALCulate:OFDM:CRESpOse:MARKer<x>:PEAK:RIGHT	Moves the selected marker to the next peak to the right.
CALCulate:OFDM:CRESpOse:MARKer<x>:X	Sets or queries the horizontal position of the selected marker.
CALCulate:OFDM:CRESpOse:MARKer<x>:Y?	Returns the amplitude of the selected marker.
CALCulate:OFDM:TABLE:MARKer<x>:FREQUency	Sets or queries the frequency position of the selected marker.
CALCulate:OFDM:TABLE:MARKer<x>:TIME	Sets or queries the marker time.
CALCulate:OFDM:TABLE:MARKer<x>:VALue?	Queries the value readout of the selected marker.
<b>CALCulate:PERRor subgroup (Option 21 only)</b>	<b>Phase error versus Time measurement</b>
CALCulate:PERRor:MARKer<x>:DELTA:X?	Returns the delta marker time for the selected marker.
CALCulate:PERRor:MARKer<x>:DELTA:Y?	Returns the delta marker phase for the selected marker.
CALCulate:PERRor:MARKer<x>:MAXimum	Moves the marker to the highest peak on the trace.
CALCulate:PERRor:MARKer<x>:PEAK:HIGHer	Moves the marker to the next peak higher in amplitude.
CALCulate:PERRor:MARKer<x>:PEAK:LEFT	Moves the marker to the next peak to the left on the trace.
CALCulate:PERRor:MARKer<x>:PEAK:LOWer	Moves the marker to the next peak lower in amplitude.
CALCulate:PERRor:MARKer<x>:PEAK:RIGHT	Moves the marker to the next peak to the right on the trace.
CALCulate:PERRor:MARKer<x>:X	Sets or queries the horizontal position of the marker.
CALCulate:PERRor:MARKer<x>:Y?	Queries the marker amplitude of the selected marker.
<b>CALCulate:PHVTime subgroup</b>	<b>Phase versus Time measurement</b>
CALCulate:PHVTime:MARKer<x>:DELTA:X?	Returns the delta marker time for the selected marker.
CALCulate:PHVTime:MARKer<x>:DELTA:Y?	Returns the delta marker phase for the selected marker.
CALCulate:PHVTime:MARKer<x>:MAXimum	Moves the marker to the highest peak on the trace.
CALCulate:PHVTime:MARKer<x>:PEAK:HIGHer	Moves the marker to the next peak higher in amplitude.
CALCulate:PHVTime:MARKer<x>:PEAK:LEFT	Moves the marker to the next peak to the left on the trace.
CALCulate:PHVTime:MARKer<x>:PEAK:LOWer	Moves the marker to the next peak lower in amplitude.
CALCulate:PHVTime:MARKer<x>:PEAK:RIGHT	Moves the marker to the next peak to the right on the trace.
CALCulate:PHVTime:MARKer<x>:X	Sets or queries the horizontal position of the marker.

Table 2-12: Calculate commands (cont.)

Header	Description
<a href="#">CALCulate:PHVTime:MARKer&lt;x&gt;:Y?</a>	Queries the marker amplitude of the selected marker.
<b>CALCulate:PULSe subgroup (Option 20 only)</b>	<b>Pulsed RF measurements</b>
<a href="#">CALCulate:PULSe:STATistics:FFT:INDicator:X</a>	Sets or queries the frequency in Hz for the X cursor.
<a href="#">CALCulate:PULSe:STATistics:FFT:INDicator:Y?</a>	Returns the frequency level in dB for the Y cursor.
<a href="#">CALCulate:PULSe:STATistics:HISTogram:INDicator:X</a>	Sets or queries the histogram indicator X value.
<a href="#">CALCulate:PULSe:STATistics:HISTogram:INDicator:Y?</a>	Queries the histogram indicator Y value.
<a href="#">CALCulate:PULSe:STATistics:MARKer&lt;x&gt;:DELTA:X?</a>	Returns the delta marker frequency for the specified marker.
<a href="#">CALCulate:PULSe:STATistics:MARKer&lt;x&gt;:DELTA:Y?</a>	Returns the delta marker amplitude for the specified marker.
<a href="#">CALCulate:PULSe:STATistics:MARKer&lt;x&gt;:MAXimum</a>	Moves the marker to the highest peak on the trace.
<a href="#">CALCulate:PULSe:STATistics:MARKer&lt;x&gt;:PEAK:HIGHer</a>	Moves the marker to the next peak higher in amplitude.
<a href="#">CALCulate:PULSe:STATistics:MARKer&lt;x&gt;:PEAK:LEFT</a>	Moves the marker to the next peak to the left on the statistics trace.
<a href="#">CALCulate:PULSe:STATistics:MARKer&lt;x&gt;:PEAK:LOWer</a>	Moves the marker to the next peak lower in amplitude.
<a href="#">CALCulate:PULSe:STATistics:MARKer&lt;x&gt;:PEAK:RIGHT</a>	Moves the marker to the next peak to the right on the statistics trace.
<a href="#">CALCulate:PULSe:STATistics:MARKer&lt;x&gt;:X</a>	Sets or queries the horizontal position of the marker.
<a href="#">CALCulate:PULSe:STATistics:MARKer&lt;x&gt;:Y?</a>	Queries the marker amplitude of the selected marker.
<a href="#">CALCulate:PULSe:TRACe:MARKer&lt;x&gt;:DELTA:X?</a>	Returns the delta marker time for the selected marker.
<a href="#">CALCulate:PULSe:TRACe:MARKer&lt;x&gt;:DELTA:Y?</a>	Returns the delta marker amplitude for the selected marker.
<a href="#">CALCulate:PULSe:TRACe:MARKer&lt;x&gt;:MAXimum</a>	Moves the marker to the highest peak on the pulse trace.
<a href="#">CALCulate:PULSe:TRACe:MARKer&lt;x&gt;:PEAK:HIGHer</a>	Moves the marker to the next peak higher in amplitude.
<a href="#">CALCulate:PULSe:TRACe:MARKer&lt;x&gt;:PEAK:LEFT</a>	Moves the marker to the next peak to the left on the pulse trace.
<a href="#">CALCulate:PULSe:TRACe:MARKer&lt;x&gt;:PEAK:LOWer</a>	Moves the marker to the next peak lower in amplitude.
<a href="#">CALCulate:PULSe:TRACe:MARKer&lt;x&gt;:PEAK:RIGHT</a>	Moves the marker to the next peak to the right on the pulse trace.
<a href="#">CALCulate:PULSe:TRACe:MARKer&lt;x&gt;:X</a>	Sets or queries the horizontal position of the marker.
<a href="#">CALCulate:PULSe:TRACe:MARKer&lt;x&gt;:Y?</a>	Queries the marker amplitude of the selected marker.
<b>CALCulate:SEARCh subgroup</b>	<b>Spectrogram measurement</b>
<a href="#">CALCulate:SEARCh:LIMit:FAIL?</a>	Queries whether the waveform cuts across the limit in the search operation.
<a href="#">CALCulate:SEARCh:LIMit:MATCH:BEEP[:STATe]</a>	Sets or queries whether or not to emit a beep on match during run or replay in the search operation.
<a href="#">CALCulate:SEARCh:LIMit:MATCH:SACQuire[:STATe]</a>	Sets or queries whether or not to stop acquiring data on match during run or replay in the search operation.
<a href="#">CALCulate:SEARCh:LIMit:MATCH:SDATA[:STATe]</a>	Sets or queries whether or not to save automatically (AutoSave) acquisition data on match during run in the search operation.
<a href="#">CALCulate:SEARCh:LIMit:MATCH:SPICture[:STATe]</a>	Sets or queries whether or not to save automatically (AutoSave) the whole screen on match during run in the search operation.
<a href="#">CALCulate:SEARCh:LIMit:MATCH:STRace[:STATe]</a>	Sets or queries whether or not to save automatically (AutoSave) the spectrum trace on match during run in the search operation.
<a href="#">CALCulate:SEARCh:LIMit:OPERation</a>	Sets or queries the search condition parameter.



Table 2-12: Calculate commands (cont.)

Header	Description
CALCulate:SEARch:LIMit:OPERation:FEED	Sets or queries the data flow to be fed in the search operation.
CALCulate:SEARch:LIMit:OPERation:MASK:LOAD	Loads the specified limit mask file for the search operation.
CALCulate:SEARch:LIMit:OPERation:MASK:STORE	Saves the limit mask to a specified file.
CALCulate:SEARch:LIMit:OPERation:SLIMit	Sets or queries the limit value (in dB) in the search operation.
CALCulate:SEARch:LIMit:REPort:DATA?	Queries the frequency range(s) that satisfy the search condition.
CALCulate:SEARch:LIMit:REPort:POINts?	Queries the number of frequency range(s) that satisfy the search condition.
CALCulate:SEARch:LIMit:STATe	Sets or queries the search function (enabled or disabled).
<b>CALCulate:SEM subgroup</b>	<b>Spectral Emissions Mask measurement</b>
CALCulate:SEM:MARKer<x>:DELTA:X?	Returns the delta marker frequency for the selected marker.
CALCulate:SEM:MARKer<x>:DELTA:Y?	Returns the delta marker amplitude for the selected marker.
CALCulate:SEM:MARKer<x>:MAXimum	Moves the selected marker to the highest peak.
CALCulate:SEM:MARKer<x>:PEAK:HIGHer	Moves the selected marker to the next peak higher in amplitude.
CALCulate:SEM:MARKer<x>:PEAK:LEFT	Moves the selected marker to the next peak to the left.
CALCulate:SEM:MARKer<x>:PEAK:LOWer	Moves the selected marker to the next peak lower in amplitude.
CALCulate:SEM:MARKer<x>:PEAK:RIGHT	Moves the selected marker to the next peak to the right.
CALCulate:SEM:MARKer<x>[:SET]:CENTer	Moves the specified marker to the center frequency.
CALCulate:SEM:MARKer<x>:X	Sets or queries the horizontal position of the selected marker.
CALCulate:SEM:MARKer<x>:Y?	Queries the marker amplitude of the selected marker.
<b>CALCulate:SGRam subgroup</b>	<b>Spectrogram measurement</b>
CALCulate:SGRam:MARKer<x>:DELTA:X:FREQuency?	Returns the delta marker frequency for the selected marker.
CALCulate:SGRam:MARKer<x>:DELTA:X[:TIME]?	Returns the delta marker time for the selected marker.
CALCulate:SGRam:MARKer<x>:DELTA:Y?	Returns the delta marker amplitude for the selected marker.
CALCulate:SGRam:MARKer<x>:MAXimum	Moves the marker to the highest peak on the trace.
CALCulate:SGRam:MARKer<x>:PEAK:HIGHer	Moves the marker to the next peak higher in amplitude.
CALCulate:SGRam:MARKer<x>:PEAK:LEFT	Moves the marker to the next peak to the left on the trace.
CALCulate:SGRam:MARKer<x>:PEAK:LOWer	Moves the marker to the next peak lower in amplitude.
CALCulate:SGRam:MARKer<x>:PEAK:RIGHT	Moves the marker to the next peak to the right on the trace.
CALCulate:SGRam:MARKer<x>[:SET]:CENTer	Sets the center frequency to the marker frequency.
CALCulate:SGRam:MARKer<x>:X:FREQuency	Sets or queries the marker frequency.
CALCulate:SGRam:MARKer<x>:X[:TIME]	Sets or queries the marker time.
CALCulate:SGRam:MARKer<x>:Y?	Queries the marker amplitude of the selected marker.
<b>CALCulate:SPECTrum subgroup</b>	<b>Spectrum measurement</b>
CALCulate:SPECTrum:MARKer<x>:DELTA:X?	Returns the delta marker frequency for the selected marker.
CALCulate:SPECTrum:MARKer<x>:DELTA:Y?	Returns the delta marker amplitude for the selected marker.
CALCulate:SPECTrum:MARKer<x>:MAXimum	Moves the marker to the highest peak on the trace.
CALCulate:SPECTrum:MARKer<x>:PEAK:HIGHer	Moves the marker to the next peak higher in amplitude.

Table 2-12: Calculate commands (cont.)

Header	Description
CALCulate:SPECTrum:MARKer<x>:PEAK:LEFT	Moves the marker to the next peak to the left on the trace.
CALCulate:SPECTrum:MARKer<x>:PEAK:LOWer	Moves the marker to the next peak lower in amplitude.
CALCulate:SPECTrum:MARKer<x>:PEAK:RIGHT	Moves the marker to the next peak to the right on the trace.
CALCulate:SPECTrum:MARKer<x>[:SET]:CENTer	Sets the center frequency to the marker frequency.
CALCulate:SPECTrum:MARKer<x>:TRACe	Sets or queries the trace on which the marker is placed.
CALCulate:SPECTrum:MARKer<x>:X	Sets or queries the horizontal position of the marker.
CALCulate:SPECTrum:MARKer<x>:Y?	Queries the marker amplitude of the selected marker.
<b>CALCulate:SPURious subgroup</b>	<b>Spurious measurement</b>
CALCulate:SPURious:MARKer<x>:DELTA:X?	Returns the delta marker frequency for the selected marker.
CALCulate:SPURious:MARKer<x>:DELTA:Y?	Returns the delta marker amplitude for the selected marker.
CALCulate:SPURious:MARKer<x>:MAXimum	Moves the marker to the highest peak on the trace.
CALCulate:SPURious:MARKer<x>:PEAK:HIGHer	Moves the marker to the next peak higher in amplitude.
CALCulate:SPURious:MARKer<x>:PEAK:LEFT	Moves the marker to the next peak to the left on the trace.
CALCulate:SPURious:MARKer<x>:PEAK:LOWer	Moves the marker to the next peak lower in amplitude.
CALCulate:SPURious:MARKer<x>:PEAK:RIGHT	Moves the marker to the next peak to the right on the trace.
CALCulate:SPURious:MARKer<x>[:SET]:CENTer	Sets the center frequency to the marker frequency.
CALCulate:SPURious:MARKer<x>:X	Sets or queries the horizontal position of the marker.
CALCulate:SPURious:MARKer<x>:Y?	Queries the marker amplitude of the selected marker.
<b>CALCulate:TDIagram subgroup (Option 21 only)</b>	<b>Trellis diagram</b>
CALCulate:TDIagram:MARKer<x>:DELTA:X[:TIME]?	Returns the delta marker time for the selected marker.
CALCulate:TDIagram:MARKer<x>:DELTA:Y?	Returns the delta marker amplitude for the selected marker.
CALCulate:TDIagram:MARKer<x>:MAXimum	Moves the marker to the highest peak on the trace.
CALCulate:TDIagram:MARKer<x>:PEAK:HIGHer	Moves the marker to the next peak higher in amplitude.
CALCulate:TDIagram:MARKer<x>:PEAK:LEFT	Moves the marker to the next peak to the left on the trace.
CALCulate:TDIagram:MARKer<x>:PEAK:LOWer	Moves the marker to the next peak lower in amplitude.
CALCulate:TDIagram:MARKer<x>:PEAK:RIGHT	Moves the marker to the next peak to the right on the trace.
CALCulate:TDIagram:MARKer<x>:X[:TIME]	Sets or queries the horizontal position (time) of the marker.
CALCulate:TDIagram:MARKer<x>:Y?	Queries the marker amplitude of the selected marker.
<b>CALCulate:TOVerview subgroup</b>	<b>Time overview</b>
CALCulate:TOVerview:MARKer<x>:DELTA:X?	Returns the delta marker time for the selected marker.
CALCulate:TOVerview:MARKer<x>:DELTA:Y?	Returns the delta marker amplitude for the selected marker.
CALCulate:TOVerview:MARKer<x>:MAXimum	Moves the marker to the highest peak on the trace.
CALCulate:TOVerview:MARKer<x>:PEAK:HIGHer	Moves the marker to the next peak higher in amplitude.
CALCulate:TOVerview:MARKer<x>:PEAK:LEFT	Moves the marker to the next peak to the left on the trace.
CALCulate:TOVerview:MARKer<x>:PEAK:LOWer	Moves the marker to the next peak lower in amplitude.
CALCulate:TOVerview:MARKer<x>:PEAK:RIGHT	Moves the marker to the next peak to the right on the trace.

Table 2-12: Calculate commands (cont.)

Header	Description
<a href="#">CALCulate:TOView:MARKer&lt;x&gt;:X</a>	Sets or queries the horizontal position of the marker.
<a href="#">CALCulate:TOView:MARKer&lt;x&gt;:Y?</a>	Queries the marker amplitude of the selected marker.

## Marker Mnemonics

Up to five markers can be used. In commands, these are named MARKer<x>, where <x> can be 0, 1, 2, 3, or 4 as shown in the following table.

Table 2-13: Marker mnemonics

Mnemonic	Description
MARKer0	Reference marker (MR)
MARKer1	Marker 1 (M1)
MARKer2	Marker 2 (M2)
MARKer3	Marker 3 (M3)
MARKer4	Marker 4 (M4)

**NOTE.** *If you omit the numeric suffix, the marker control defaults to Marker 1.*

*Before operating the marker, you have to enable it using the CALCulate basic commands.*

*If you attempt to use a marker other than above in a CALCulate command, the suffix error (error code -130) will occur.*

## Calibration Commands

Use the CALibration commands to control the external correction.

**Table 2-14: Calibration commands**

Header	Description
CALibration:ABORT	Aborts any actions related to the alignments in progress.
CALibration:AUTO	Sets or queries whether or not to run alignments automatically.
CALibration:CORRection:EXTernal:EDIT<x>:LABel	Sets or queries the name of the external loss table.
CALibration:CORRection:EXTernal:EDIT<x>:NEW	Creates a new external loss table.
CALibration:CORRection:EXTernal:EDIT<x>:STATe	Sets or queries whether to enable or disable the external loss table.
CALibration:CORRection:EXTernal:GAIN[:MAGNitude]	Sets or queries the external gain value.
CALibration:CORRection:EXTernal:GAIN:STATe	Sets or queries whether to enable or disable the external gain value.
CALibration:CORRection:EXTernal:PROBe:CONNect?	Queries whether the external probe is connected to the analyzer or not.
CALibration:CORRection:EXTernal:PROBe[:MAGNitude]?	Queries the external probe attenuation.
CALibration:CORRection:EXTernal:PROBe:STATe	Determines whether to correct data for the external probe attenuation.
CALibration:CORRection:EXTernal:TYPE	Selects data type to use when applying the external loss table.

# Display Commands

Use the DISPLAY commands to control the display of measurement waveforms and results on the screen.

Table 2-15: Display commands

Header	Description
<b>DISPlay basic command subgroup</b>	<b>General window control</b>
DISPlay:WINDow:ACTive:MEASurement?	Queries the active measurement views.
DISPlay:WINDow:COLor:SCHeme	Sets or queries the color scheme for traces and background.
DISPlay:WINDow:OPTimized:MEASurement?	Queries the measurement views that are optimized.
<b>DISPlay:ACPower subgroup</b>	<b>Channel power and ACPR measurement</b>
DISPlay:ACPower:MARKer:SHOW:STATe	Determines whether to show the readout for the selected marker.
DISPlay:ACPower:PLEvel:SHOW:STATe	Determines whether to show the power levels.
DISPlay:ACPower:RESet:SCALE	Resets the horizontal and vertical scale to the default values.
DISPlay:ACPower:WINDow:TRACe:GRATICule:GRID:STATe	Determines whether to show the graticule grid on screen.
DISPlay:ACPower:X[:SCALE]	Sets or queries the horizontal range.
DISPlay:ACPower:X[:SCALE]:AUTO	Rescales the horizontal axis automatically.
DISPlay:ACPower:X[:SCALE]:OFFSet	Sets or queries the minimum horizontal value (left edge).
DISPlay:ACPower:Y[:SCALE]	Sets or queries the vertical range.
DISPlay:ACPower:Y[:SCALE]:AUTO	Rescales the vertical axis automatically.
DISPlay:ACPower:Y[:SCALE]:OFFSet	Sets or queries the vertical offset.
<b>DISPlay:ADEMod subgroup (Option 21 only)</b>	<b>General purpose analog demodulation measurements</b>
DISPlay:ADEMod:MEASview:DELeTe	Deletes the measurement view.
DISPlay:ADEMod:MEASview:NEw	Displays a new measurement view.
DISPlay:ADEMod:MEASview:SELeCt	Sets or queries the measurement view.
<b>DISPlay:{AM FM PM} subgroup (Option 21 only)</b>	<b>AM/FM/PM measurement</b>
DISPlay:{AM FM PM}:MARKer:SHOW:STATe	Determines whether to show the readout for the selected marker.
DISPlay:{AM FM PM}:WINDow:TRACe:GRATICule:GRID:STATe	Determines whether to show the graticule grid on screen.
DISPlay:{AM FM PM}:X:RSCale	Rescales the horizontal axis automatically.
DISPlay:{AM FM PM}:X[:SCALE]:AUTO	Sets the horizontal scale automatically.
DISPlay:{AM FM PM}:X[:SCALE]:FULL	Sets or queries the horizontal scale.
DISPlay:{AM FM PM}:X[:SCALE]:OFFSet	Sets or queries the minimum horizontal value (left edge).
DISPlay:{AM FM PM}:Y:RSCale	Rescales the vertical axis automatically.
DISPlay:{AM FM PM}:Y[:SCALE]	Sets or queries the vertical scale.
DISPlay:{AM FM PM}:Y[:SCALE]:OFFSet	Sets or queries the vertical offset.

Table 2-15: Display commands (cont.)

Header	Description
<b>DISPlay:AUDio subgroup</b>	<b>Audio measurements</b>
DISPlay:AUDio:MEASview:DELeTe	Deletes the specified audio analysis view.
DISPlay:AUDio:MEASview:NEw	Displays a new audio analysis view.
DISPlay:AUDio:MEASview:SELeCt	Selects an audio analysis view on the screen.
DISPlay:AUDio:SPECTrum:FREQUency:[SCALe]:START	Sets or queries the start frequency (left edge) of the audio spectrum graph.
DISPlay:AUDio:SPECTrum:FREQUency:[SCALe]:STOP	Sets or queries the stop frequency (right edge) of the audio spectrum graph.
DISPlay:AUDio:SPECTrum:FREQUency:AUTO	Rescales the horizontal axis automatically to fit the waveform to the screen in the audio spectrum view.
DISPlay:AUDio:SPECTrum:MARKer:SHOW:STATe	Determines whether to show or hide the readouts for the selected marker in the audio spectrum view.
DISPlay:AUDio:SPECTrum:RESet:SCALe	Resets the horizontal and vertical scales in the audio spectrum view.
DISPlay:AUDio:SPECTrum:SCALe:LOG:STATe	Determines whether or not to set the horizontal axis logarithmic in the audio spectrum view.
DISPlay:AUDio:SPECTrum:SHOW:NHARmonic:THReshold	Sets or queries the appearance of the non-harmonic threshold in the audio spectrum view.
DISPlay:AUDio:SPECTrum:TABLE:SHOW:STATe	Determines whether to show or hide the results table in the audio spectrum view.
DISPlay:AUDio:SPECTrum:WINDow:TRACe:GRATICule:GRID:STATe	Determines whether to show or hide the graticule grid on the screen.
DISPlay:AUDio:SPECTrum:Y:[SCALe]	Sets or queries the vertical scale in the audio spectrum view.
DISPlay:AUDio:SPECTrum:Y:[SCALe]:AUTO	Rescales the vertical axis automatically in the audio spectrum view.
DISPlay:AUDio:SPECTrum:Y:[SCALe]:OFFSet	Sets or queries the vertical position (offset) in the audio spectrum view.
<b>DISPlay:AVTime subgroup</b>	<b>Amplitude versus Time measurement</b>
DISPlay:AVTime:LEGenD:STATe	Shows or hides the trace legend in the amplitude versus time view.
DISPlay:AVTime:MARKer:SHOW:STATe	Determines whether to show the readout for the selected marker.
DISPlay:AVTime:RESet	Resets the horizontal and vertical scale to the default values.
DISPlay:AVTime:TRIGger:LEVel:STATe	Determines whether to show the power trigger level line on screen.
DISPlay:AVTime:WINDow:TRACe:GRATICule:GRID:STATe	Determines whether to show the graticule grid on screen.
DISPlay:AVTime:X:RSCale	Rescales the horizontal axis automatically.
DISPlay:AVTime:X:[SCALe]:AUTO	Sets the horizontal scale automatically.
DISPlay:AVTime:X:[SCALe]:AUTO:STATe	Determines whether to set the horizontal scale automatically or manually.
DISPlay:AVTime:X:[SCALe]:FULL	Sets or queries the horizontal scale.
DISPlay:AVTime:X:[SCALe]:MAXimum?	Queries the upper limit of the horizontal scale setting range.
DISPlay:AVTime:X:[SCALe]:MINimum?	Queries the lower limit of the horizontal scale setting range.
DISPlay:AVTime:X:[SCALe]:OFFSet	Sets or queries the minimum horizontal value (left edge).
DISPlay:AVTime:X:[SCALe]:OFFSet:MAXimum?	Queries the upper limit of the horizontal offset setting range.

Table 2-15: Display commands (cont.)

Header	Description
DISPlay:AVTime:X[:SCALe]:OFFSet:MINimum?	Queries the lower limit of the horizontal offset setting range.
DISPlay:AVTime:Y:RSCale	Rescales the vertical axis automatically.
DISPlay:AVTime:Y[:SCALe]:FULL	Sets or queries the vertical scale.
DISPlay:AVTime:Y[:SCALe]:OFFSet	Sets or queries the vertical offset.
<b>DISPlay:CCDF subgroup</b>	<b>CCDF measurement</b>
DISPlay:CCDF:LEGenD:STATe	Sets or queries whether to show or hide the trace legend in the CCDF view.
DISPlay:CCDF:WINDow:TRACe:GRATICule:GRID:STATe	Sets or queries whether to show or hide the graticule grid on the screen.
<b>DISPlay:CONSte subgroup (Option 21 only)</b>	<b>Constellation measurement</b>
DISPlay:CONSte:MPHase	Sets or queries the phase multiplication constant for a CPM signal.
DISPlay:CONSte:WINDow:TRACe:GRATICule:GRID:STATe	Sets or queries whether to show the graticule grid on the screen.
<b>DISPlay:DDEMod subgroup (Option 21 only)</b>	<b>General purpose digital modulation measurements</b>
DISPlay:DDEMod:MEASview:DELeTe	Deletes the measurement view.
DISPlay:DDEMod:MEASview:NEw	Displays a new measurement view.
DISPlay:DDEMod:MEASview:SELeCt	Sets or queries the measurement view.
DISPlay:DDEMod:RADix	Sets or queries the base of symbols.
DISPlay:DDEMod:X[:SCALe]	Sets or queries the horizontal scale.
DISPlay:DDEMod:X[:SCALe]:AUTO	Sets the horizontal scale automatically.
DISPlay:DDEMod:X[:SCALe]:AUTO:STATe	Determines whether to set the horizontal scale automatically or manually.
DISPlay:DDEMod:X[:SCALe]:MAXimum?	Queries the upper limit of the horizontal scale setting range.
DISPlay:DDEMod:X[:SCALe]:MINimum?	Queries the lower limit of the horizontal scale setting range.
DISPlay:DDEMod:X[:SCALe]:OFFSet	Sets or queries the minimum horizontal value (left edge).
DISPlay:DDEMod:X[:SCALe]:OFFSet:MAXimum?	Queries the upper limit of the horizontal offset setting range.
DISPlay:DDEMod:X[:SCALe]:OFFSet:MINimum?	Queries the lower limit of the horizontal offset setting range.
<b>DISPlay:DIAGram subgroup (Option 21 only)</b>	<b>Eye/Trellis diagram</b>
DISPlay:DIAGram:X[:SCALe]	Sets or queries the horizontal range.
DISPlay:DIAGram:X[:SCALe]:RESet	Presets the horizontal scale to the default value.
<b>DISPlay:DIQVtime subgroup (Option 21 only)</b>	<b>Demodulated I&amp;Q versus Time measurement</b>
DISPlay:DIQVtime:WINDow:TRACe:GRATICule:GRID:STATe	Sets or queries whether to show the graticule grid on the screen.
DISPlay:DIQVtime:Y[:SCALe]	Sets or queries the vertical scale.
DISPlay:DIQVtime:Y[:SCALe]:AUTO	Sets the vertical scale automatically.
DISPlay:DIQVtime:Y[:SCALe]:OFFSet	Sets or queries the vertical offset (center point of the vertical axis).
<b>DISPlay:DPX subgroup</b>	<b>DPXogram measurement</b>
DISPlay:DPX:DGRam:TIME[:SCALe]:OFFSet:DIVision	Sets or queries the DPXogram vertical time offset in divisions.
DISPlay:DPX:DGRam:TIME[:SCALe]:PDIVision	Sets or queries the DPXogram vertical time scale per division.

**Table 2-15: Display commands (cont.)**

<b>Header</b>	<b>Description</b>
DISPlay:DPX:DGRam:TIME[:SCALe]:RESet	Presets the time scale to the default value for the DPXogram measurement.
DISPlay:DPX:DGRam:TSTamp:STATe	Determines whether to display the time stamp readout in the DPXogram display.
DISPlay:DPX:DGRam:Y[:SCALe]:AUTO	Rescales the height axis automatically to fit the waveform to the screen in the DPXogram display.
DISPlay:DPX:DGRam:Y[:SCALe]:RESet	Resets the height scale of the DPXogram display.
DISPlay:DPX:LEGend:STATe	Determines whether to show or hide the trace legend on the display.
DISPlay:DPX:PHASe:Y[:SCALe]:AXIS	Sets or queries the vertical axis representation.
DISPlay:DPX:PHASe:Y[:SCALe]:AXIS:OFFSet	Sets or queries the vertical offset in the DPX Phase view.
DISPlay:DPX:Y[:SCALe]:OFFSet	Sets or queries the vertical offset.
DISPlay:DPX:Y[:SCALe]:PDIVision	Sets or queries the vertical scale (per division).
DISPlay:DPX:WINDow:TRACe:GRATICule:GRID:STATe	Determines whether to show or hide the graticule grid on the screen.
<b>DISPlay:EDIagram subgroup (Option 21 only)</b>	<b>Eye diagram</b>
DISPlay:EDIagram:WINDow:TRACe:GRATICule:GRID:STATe	Sets or queries whether to show the graticule grid on the screen.
DISPlay:EDIagram:Y[:SCALe]	Sets or queries the vertical scale.
DISPlay:EDIagram:Y[:SCALe]:AUTO	Sets the vertical scale automatically.
DISPlay:EDIagram:Y[:SCALe]:OFFSet	Sets or queries the vertical offset (center point of the vertical axis).
<b>DISPlay:EVM subgroup (Option 21 only)</b>	<b>EVM versus Time measurement</b>
DISPlay:EVM:WINDow:TRACe:GRATICule:GRID:STATe	Sets or queries the graticule grid view state for the EVM view.
DISPlay:EVM:Y[:SCALe]	Sets or queries the vertical scale.
DISPlay:EVM:Y[:SCALe]:AUTO	Sets the vertical scale automatically.
DISPlay:EVM:Y[:SCALe]:OFFSet	Sets or queries the minimum vertical value (bottom edge).
<b>DISPlay:FDVTime subgroup (Option 21 only)</b>	<b>Frequency deviation versus Time measurement</b>
DISPlay:FDVTime:WINDow:TRACe:GRATICule:GRID:STATe	Sets or queries whether to show the graticule grid on the Frequency deviation versus Time view.
DISPlay:FDVTime:Y[:SCALe]	Sets or queries the vertical range of the Frequency deviation versus Time graph.
DISPlay:FDVTime:Y[:SCALe]:AUTO	Sets the vertical scale automatically.
DISPlay:FDVTime:Y[:SCALe]:OFFSet	Sets or queries the vertical offset (center point of the vertical axis).
<b>DISPlay:{FSETtling PSETtling} subgroup</b>	<b>Frequency and Phase Settling measurements</b>
DISPlay:{FSETtling PSETtling}:MARKer:SHOW:STATe	Determines whether to show or hide the readout for the selected marker in the Frequency or Phase Settling views.
DISPlay:{FSETtling PSETtling}:WINDow:TRACe:GRATICule:GRID:STATe	Determines whether to show or hide the graticule grid on the screen.
DISPlay:{FSETtling PSETtling}:X[:SCALe]	Sets or queries the horizontal scale (full-scale time) of the Settling Time graph.



Table 2-15: Display commands (cont.)

Header	Description
DISPlay:{FSETtling PSETtling}:X[:SCALe]:AUTO	Sets the horizontal scale automatically to fit the waveform to the screen in the Frequency and Phase Settling views.
DISPlay:{FSETtling PSETtling}:X[:SCALe]:AUTO:STATe	Determines whether to set the horizontal scale automatically or manually.
DISPlay:{FSETtling PSETtling}:X[:SCALe]:MAXimum?	Queries the upper limit of the horizontal scale setting range.
DISPlay:{FSETtling PSETtling}:X[:SCALe]:OFFSet:MINimum?	Queries the lower limit of the horizontal offset setting range.
DISPlay:{FSETtling PSETtling}:X[:SCALe]:OFFSet	Sets or queries the minimum horizontal value (left edge) of the Frequency versus Time graph.
DISPlay:{FSETtling PSETtling}:X[:SCALe]:OFFSet:MAXimum?	Queries the upper limit of the horizontal offset setting range.
DISPlay:{FSETtling PSETtling}:X[:SCALe]:OFFSet:MINimum?	Queries the lower limit of the horizontal offset setting range.
DISPlay:{FSETtling PSETtling}:Y[:SCALe]	Sets or queries the vertical range of the Frequency versus Time graph.
DISPlay:{FSETtling PSETtling}:Y[:SCALe]:AUTO	Sets the vertical scale automatically to fit the waveform to the screen in the Frequency and Phase Settling views.
DISPlay:{FSETtling PSETtling}:Y[:SCALe]:OFFSet	Sets or queries the vertical offset (the value at the center of the vertical axis) in the Frequency and Phase Settling graphs.
DISPlay:{FSETtling PSETtling}:Y[:SCALe]:PDIVision	Sets or queries the vertical scale (per division) of the Frequency and Phase Settling graphs.
<b>DISPlay:FVTime subgroup</b>	<b>Frequency versus Time measurement</b>
DISPlay:FVTime:WINDow:TRACe:GRATICule:GRID:STATe	Sets or queries whether to show the graticule grid on the Frequency versus Time view.
DISPlay:FVTime:X[:SCALe]	Sets or queries the horizontal scale.
DISPlay:FVTime:X[:SCALe]:AUTO	Sets the horizontal scale automatically.
DISPlay:FVTime:X[:SCALe]:AUTO:STATe	Determines whether to set the horizontal scale automatically or manually.
DISPlay:FVTime:X[:SCALe]:MAXimum?	Queries the upper limit of the horizontal scale setting range.
DISPlay:FVTime:X[:SCALe]:MINimum?	Queries the lower limit of the horizontal scale setting range.
DISPlay:FVTime:X[:SCALe]:OFFSet	Sets or queries the minimum horizontal value (left edge).
DISPlay:FVTime:X[:SCALe]:OFFSet:MAXimum?	Queries the upper limit of the horizontal offset setting range.
DISPlay:FVTime:X[:SCALe]:OFFSet:MINimum?	Queries the lower limit of the horizontal offset setting range.
DISPlay:FVTime:Y[:SCALe]	Sets or queries the vertical scale.
DISPlay:FVTime:Y[:SCALe]:AUTO	Sets the vertical scale automatically.
DISPlay:FVTime:Y[:SCALe]:OFFSet	Sets or queries the vertical offset.
<b>DISPlay:GENeral subgroup</b>	<b>General signal viewing</b>
DISPlay:GENeral:MEASview:DELeTe	Deletes the measurement view.
DISPlay:GENeral:MEASview:NEW	Displays a new measurement view.
DISPlay:GENeral:MEASview:SELeCt	Sets or queries the measurement view.

Table 2-15: Display commands (cont.)

Header	Description
<b>DISPlay:GPRF subgroup</b>	<b>General purpose RF measurements</b>
DISPlay:GPRF:MEASview:DELeTe	Deletes the measurement view.
DISPlay:GPRF:MEASview:NEw	Displays a new measurement view.
DISPlay:GPRF:MEASview:SELeCt	Sets or queries the measurement view.
<b>DISPlay:IQVTime subgroup</b>	<b>RF I&amp;Q versus Time measurement</b>
DISPlay:IQVTime:WINDow:TRACe:GRATicule:GRID:STATe	Sets or queries whether to show the graticule grid on the screen.
DISPlay:IQVTime:X[:SCALe]	Sets or queries the horizontal scale.
DISPlay:IQVTime:X[:SCALe]:AUTO	Sets the horizontal scale automatically.
DISPlay:IQVTime:X[:SCALe]:AUTO:STATe	Determines whether to set the horizontal scale automatically or manually.
DISPlay:IQVTime:X[:SCALe]:MAXimum?	Queries the upper limit of the horizontal scale setting range.
DISPlay:IQVTime:X[:SCALe]:MINimum?	Queries the lower limit of the horizontal scale setting range.
DISPlay:IQVTime:X[:SCALe]:OFFSet	Sets or queries the minimum horizontal value (left edge).
DISPlay:IQVTime:X[:SCALe]:OFFSet:MAXimum?	Queries the upper limit of the horizontal offset setting range.
DISPlay:IQVTime:X[:SCALe]:OFFSet:MINimum?	Queries the lower limit of the horizontal offset setting range.
DISPlay:IQVTime:Y[:SCALe]	Sets or queries the vertical scale.
DISPlay:IQVTime:Y[:SCALe]:AUTO	Sets the vertical scale automatically.
DISPlay:IQVTime:Y[:SCALe]:OFFSet	Sets or queries the vertical offset.
DISPlay:IQVTime:Y[:SCALe]:RESCale	Rescales the vertical scale.
<b>DISPlay:MCPower subgroup</b>	<b>MCPR measurement</b>
DISPlay:MCPower:MARKer:SHOW:STATe	Determines whether to show the readout for the selected marker.
DISPlay:MCPower:PLEVel:SHOW:STATe	Determines whether to show the power levels.
DISPlay:MCPower:RESet:SCALe	Resets the horizontal and vertical scale to the default values.
DISPlay:MCPower:WINDow:TRACe:GRATicule:GRID:STATe	Determines whether to show the graticule grid on screen.
DISPlay:MCPower:X[:SCALe]	Sets or queries the horizontal range.
DISPlay:MCPower:X[:SCALe]:AUTO	Rescales the horizontal axis automatically.
DISPlay:MCPower:X[:SCALe]:OFFSet	Sets or queries the minimum horizontal value (left edge).
DISPlay:MCPower:Y[:SCALe]	Sets or queries the vertical range.
DISPlay:MCPower:Y[:SCALe]:AUTO	Rescales the vertical axis automatically.
DISPlay:MCPower:Y[:SCALe]:OFFSet	Sets or queries the vertical offset.
<b>DISPlay:MERRor subgroup (Option 21 only)</b>	<b>Magnitude error versus Time measurement</b>
DISPlay:MERRor:WINDow:TRACe:GRATicule:GRID:STATe	Sets or queries the graticule grid view state for the Magnitude error versus Time view.
DISPlay:MERRor:Y[:SCALe]	Sets or queries the vertical scale.
DISPlay:MERRor:Y[:SCALe]:AUTO	Sets the vertical scale automatically.
DISPlay:MERRor:Y[:SCALe]:OFFSet	Sets or queries the minimum vertical value (bottom edge).

Table 2-15: Display commands (cont.)

Header	Description
<b>DISPlay:OBWidth subgroup</b>	<b>Occupied Bandwidth measurement</b>
DISPlay:OBWidth:MARKer:SHOW:STATe	Determines whether to show the readout for the selected marker.
DISPlay:OBWidth:RESet:SCALE	Resets the horizontal and vertical scale to the default values.
DISPlay:OBWidth:SELEcted:BANDwidth	Sets or queries the bandwidth (OBW or x dB BW) to measure.
DISPlay:OBWidth:WINDow:TRACe:GRATICule:GRID:STATe	Determines whether to show the graticule grid on screen.
DISPlay:OBWidth:X[:SCALE]	Sets or queries the horizontal range.
DISPlay:OBWidth:X[:SCALE]:AUTO	Rescales the horizontal axis automatically.
DISPlay:OBWidth:X[:SCALE]:OFFSet	Sets or queries the minimum horizontal value (left edge).
DISPlay:OBWidth:Y[:SCALE]	Sets or queries the vertical range.
DISPlay:OBWidth:Y[:SCALE]:AUTO	Rescales the vertical axis automatically.
DISPlay:OBWidth:Y[:SCALE]:OFFSet	Sets or queries the vertical offset.
<b>DISPlay:OFDM subgroup</b>	<b>OFDM measurements</b>
DISPlay:OFDM:CONSte[:SCALE]	Sets or queries the horizontal offset.
DISPlay:OFDM:CONSte:X:OFFSet	Sets or queries the vertical offset.
DISPlay:OFDM:CONSte:Y:OFFSet	Sets or queries the scale.
DISPlay:OFDM:CRESpone:FREQUency:AUTO	Rescales the horizontal axis automatically.
DISPlay:OFDM:CRESpone:FREQUency:OFFSet	Sets or queries the frequency offset.
DISPlay:OFDM:CRESpone:FREQUency[:SCALE]	Sets or queries the horizontal range.
DISPlay:OFDM:CRESpone:MAGNitude:AUTO	Rescales the magnitude automatically.
DISPlay:OFDM:CRESpone:MAGNitude:OFFSet	Sets or queries the magnitude offset.
DISPlay:OFDM:CRESpone:MAGNitude:PDIvision	Sets or queries the scale (per division) of the magnitude.
DISPlay:OFDM:CRESpone:PHASe:AUTO	Rescales the vertical axis automatically.
DISPlay:OFDM:CRESpone:PHASe:OFFSet	Sets or queries the phase offset.
DISPlay:OFDM:CRESpone:PHASe[:SCALE]	Sets the vertical scale automatically.
DISPlay:OFDM:CRESpone:WINDow:SELEct:PLOT	Sets or queries the plot.
DISPlay:OFDM:CRESpone:WINDow:TRACe:GRATICule:GRID:STATe	Determines whether to show or hide the graticule.
DISPlay:OFDM:EVM:FREQUency[:SCALE]	Sets or queries the horizontal range.
DISPlay:OFDM:EVM:FREQUency:AUTO	Rescales the frequency automatically to fit the waveform to the screen.
DISPlay:OFDM:EVM:FREQUency:OFFSet	Sets or queries the frequency offset.
DISPlay:OFDM:EVM:MARKer:SHOW:STATe	Determines whether to show or hide the readout.
DISPlay:OFDM:EVM:TIME[:SCALE]	Sets or queries the time scale.
DISPlay:OFDM:EVM:TIME:AUTO	Rescales the time automatically to fit the waveform to the screen.
DISPlay:OFDM:EVM:TIME:OFFSet	Sets or queries the time offset.
DISPlay:OFDM:EVM:WINDow:SELEct:PLOT	Sets or queries the plot.

**Table 2-15: Display commands (cont.)**

<b>Header</b>	<b>Description</b>
DISPlay:OFDM:EVM:WINDow:TRACe:GRATICule:GRID:STATe	Determines whether to show or hide the graticule.
DISPlay:OFDM:EVM:Y[:SCALE]	Sets or queries the vertical range.
DISPlay:OFDM:EVM:Y:AUTO	Rescales the vertical scale automatically.
DISPlay:OFDM:EVM:Y:OFFSet	Sets or queries the vertical offset.
DISPlay:OFDM:MEASview:DELeTe	Deletes the specified OFDM measurement view.
DISPlay:OFDM:MEASview:NEw	Creates a new OFDM measurement view.
DISPlay:OFDM:MEASview:SELeCt	Sets or queries the OFDM measurement view.
DISPlay:OFDM:MERRor:FREQuency[:SCALE]	Sets or queries the horizontal range.
DISPlay:OFDM:MERRor:FREQuency[:SCALE]:AUTO	Rescales the frequency automatically to fit the waveform to the screen.
DISPlay:OFDM:MERRor:FREQuency[:SCALE]:OFFSet	Sets or queries the frequency offset.
DISPlay:OFDM:MERRor:MARKer:SHOW:STATe	Determines whether to show or hide the readout for the selected marker.
DISPlay:OFDM:MERRor:TIME[:SCALE]	Sets or queries the time scale.
DISPlay:OFDM:MERRor:TIME[:SCALE]:AUTO	Rescales the time automatically to fit the waveform to the screen.
DISPlay:OFDM:MERRor:TIME[:SCALE]:OFFSet	Sets or queries the time offset.
DISPlay:OFDM:MERRor:WINDow:SELeCt:PLOT	Sets or queries the plot.
DISPlay:OFDM:MERRor:WINDow:TRACe:GRATICule:GRID:STATe	Determines whether to show or hide the graticule.
DISPlay:OFDM:MERRor:Y[:SCALE]	Sets or queries the vertical range.
DISPlay:OFDM:MERRor:Y:AUTO	Rescales the vertical scale automatically to fit the waveform.
DISPlay:OFDM:MERRor:Y:OFFSet	Sets or queries the vertical offset.
DISPlay:OFDM:PERRor:FREQuency[:SCALE]	Sets or queries the horizontal range.
DISPlay:OFDM:PERRor:FREQuency[:SCALE]:AUTO	Rescales the frequency automatically to fit the waveform to the screen.
DISPlay:OFDM:PERRor:FREQuency[:SCALE]:OFFSet	Sets or queries the frequency offset.
DISPlay:OFDM:PERRor:MARKer:SHOW:STATe	Determines whether to show or hide the readout for the selected marker.
DISPlay:OFDM:PERRor:TIME[:SCALE]	Sets or queries the time scale.
DISPlay:OFDM:PERRor:TIME[:SCALE]:AUTO	Rescales the time automatically to fit the waveform to the screen.
DISPlay:OFDM:PERRor:TIME[:SCALE]:OFFSet	Sets or queries the time offset.
DISPlay:OFDM:PERRor:WINDow:SELeCt:PLOT	Sets or queries the plot.
DISPlay:OFDM:PERRor:WINDow:TRACe:GRATICule:GRID:STATe	Determines whether to show or hide the graticule.
DISPlay:OFDM:PERRor:Y[:SCALE]	Sets or queries the vertical range.
DISPlay:OFDM:PERRor:Y:AUTO	Rescales the vertical scale automatically to fit the waveform.
DISPlay:OFDM:PERRor:Y:OFFSet	Sets or queries the vertical offset.
DISPlay:OFDM:POWer:FREQuency[:AUTO]	Rescales the frequency automatically to fit the waveform to the screen.
DISPlay:OFDM:POWer:FREQuency[:OFFSet]	Sets or queries the frequency offset.
DISPlay:OFDM:POWer:FREQuency[:SCALE]	Sets or queries the horizontal range.

Table 2-15: Display commands (cont.)

Header	Description
DISPlay:OFDM:POWer:MARKer:SHOW:STATe	Determines whether to show or hide the readout for the selected marker.
DISPlay:OFDM:POWer:TIME[:AUTO]	Rescales the time automatically to fit the waveform to the screen.
DISPlay:OFDM:POWer:TIME:OFFSet	Sets or queries the time offset.
DISPlay:OFDM:POWer:TIME[:SCALE]	Sets or queries the time scale.
DISPlay:OFDM:POWer:WINDow:SElect:PLOT	Sets or queries the plot.
DISPlay:OFDM:POWer:WINDow:TRACe:GRATICule:GRID:STATe	Determines whether to show or hide the graticule.
DISPlay:OFDM:POWer:Y:AUTO	Rescales the vertical scale automatically to fit the waveform.
DISPlay:OFDM:POWer:Y:OFFSet	Sets or queries the vertical offset.
DISPlay:OFDM:POWer:Y[:SCALE]	Sets or queries the vertical range.
<b>DISPlay:PERRor subgroup (Option 21 only)</b>	<b>Phase error versus Time measurement</b>
DISPlay:PERRor:WINDow:TRACe:GRATICule:GRID:STATe	Sets or queries the graticule grid view state for the Phase error versus Time view.
DISPlay:PERRor:Y[:SCALE]	Sets or queries the vertical scale.
DISPlay:PERRor:Y[:SCALE]:AUTO	Sets the vertical scale automatically.
DISPlay:PERRor:Y[:SCALE]:OFFSet	Sets or queries the minimum vertical value (bottom edge).
<b>DISPlay:PHVTime subgroup</b>	<b>Phase versus Time measurement</b>
DISPlay:PHVTime:WINDow:TRACe:GRATICule:GRID:STATe	Sets or queries whether to show the graticule grid on the screen.
DISPlay:PHVTime:X[:SCALE]	Sets or queries the horizontal scale.
DISPlay:PHVTime:X[:SCALE]:AUTO	Sets the horizontal scale automatically.
DISPlay:PHVTime:X[:SCALE]:AUTO:STATe	Determines whether to set the horizontal scale automatically or manually.
DISPlay:PHVTime:X[:SCALE]:MAXimum?	Queries the upper limit of the horizontal scale setting range.
DISPlay:PHVTime:X[:SCALE]:MINimum?	Queries the lower limit of the horizontal scale setting range.
DISPlay:PHVTime:X[:SCALE]:OFFSet	Sets or queries the minimum horizontal value (left edge).
DISPlay:PHVTime:X[:SCALE]:OFFSet:MAXimum?	Queries the upper limit of the horizontal offset setting range.
DISPlay:PHVTime:X[:SCALE]:OFFSet:MINimum?	Queries the lower limit of the horizontal offset setting range.
DISPlay:PHVTime:Y[:SCALE]	Sets or queries the vertical scale.
DISPlay:PHVTime:Y[:SCALE]:AUTO	Sets the vertical scale automatically.
DISPlay:PHVTime:Y[:SCALE]:AXIS	Sets or queries the vertical axis representation.
DISPlay:PHVTime:Y[:SCALE]:AXIS:REFerence	Sets or queries the reference time for phase.
DISPlay:PHVTime:Y[:SCALE]:OFFSet	Sets or queries the vertical offset.
DISPlay:PHVTime:Y[:SCALE]:RESCale	Rescales the vertical scale.
<b>DISPlay:PNOise subgroup (Option 11 only)</b>	<b>Phase noise measurements</b>
DISPlay:PNOise:LEGend:STATe	Sets or queries showing the trace legend on the display.
DISPlay:PNOise:MARKer:SHOW:STATe	Determines whether to show the readout for the selected marker.
DISPlay:PNOise:RESet:SCALE	Resets the horizontal and vertical scale to the default values.

**Table 2-15: Display commands (cont.)**

<b>Header</b>	<b>Description</b>
DISPlay:PNOise:WINDow:TRACe:GRATicule:GRID:STATe	Sets or queries whether to show the graticule grid on the screen.
DISPlay:PNOise:X[:SCALE]:AUTO	Rescales the horizontal axis automatically.
DISPlay:PNOise:X[:SCALE]:START	Sets or queries the start frequency of the graph.
DISPlay:PNOise:X[:SCALE]:STOP	Sets or queries the stop frequency of the graph.
DISPlay:PNOise:Y[:SCALE]	Sets or queries the vertical scale.
DISPlay:PNOise:Y[:SCALE]:AUTO	Rescales the vertical axis automatically.
DISPlay:PNOise:Y[:SCALE]:OFFSet	Sets or queries the vertical offset.
DISPlay:PNOise:Y[:SCALE]:PDIVision	Sets or queries the vertical scale (per division).
<b>DISPlay:PULSe subgroup (Option 20 only)</b>	<b>Pulsed RF measurements</b>
DISPlay:PULSe:MEASview:DELeTe	Deletes the measurement view.
DISPlay:PULSe:MEASview:NEW	Displays a new measurement view.
DISPlay:PULSe:MEASview:SELeCt	Sets or queries the measurement view.
DISPlay:PULSe:RESult:ATX	Sets or queries whether to show the average transmitted power result.
DISPlay:PULSe:RESult:AVERAge	Sets or queries whether to show the average on power result.
DISPlay:PULSe:RESult:DRODb	Sets or queries whether to show the droop in the results table.
DISPlay:PULSe:RESult:DROOp	Sets or queries showing the droop measurement result in the pulse table
DISPlay:PULSe:RESult:DUTPct	Sets or queries whether to show the duty factor (%) result.
DISPlay:PULSe:RESult:DUTRatio	Sets or queries whether to show the duty factor (ratio) result.
DISPlay:PULSe:RESult:FALL	Sets or queries whether to show the fall time in the results table.
DISPlay:PULSe:RESult:FRDeViation	Sets or queries whether to show the frequency deviation result.
DISPlay:PULSe:RESult:IRAMplitude	Sets or queries showing the Impulse Response Amplitude measurement result in the pulse table.
DISPlay:PULSe:RESult:IRTime	Sets or queries showing the Impulse Response Time measurement result in the pulse table.
DISPlay:PULSe:RESult:MFRqerror	Sets or queries whether to show the maximum frequency error result.
DISPlay:PULSe:RESult:MPHerror	Sets or queries whether to show the maximum phase error result.
DISPlay:PULSe:RESult:OVEDb	Sets or queries whether to show the Overshoot measurement result in dB in the pulse table.
DISPlay:PULSe:RESult:OVERshoot	Sets or queries whether to show the Overshoot measurement result in the pulse table.
DISPlay:PULSe:RESult:PHDeViation	Sets or queries whether to show the phase deviation result.
DISPlay:PULSe:RESult:PPFRequency	Sets or queries whether to show the pulse-pulse frequency result.
DISPlay:PULSe:RESult:PPOWer	Sets or queries whether to show the peak power in the results table.
DISPlay:PULSe:RESult:PPPHasE	Sets or queries whether to show the pulse-pulse carrier phase result.
DISPlay:PULSe:RESult:RINTerval	Sets or queries whether to show the repetition interval result.
DISPlay:PULSe:RESult:RIPDb	Sets or queries showing the ripple measurement result in dB in the pulse table.

Table 2-15: Display commands (cont.)

Header	Description
DISPlay:PULSe:RESult:RIPPLE	Sets or queries showing the ripple measurement result in the pulse table.
DISPlay:PULSe:RESult:RISE	Sets or queries whether to show the rise time in the results table.
DISPlay:PULSe:RESult:RMSFreqerror	Sets or queries whether to show the RMS frequency error result.
DISPlay:PULSe:RESult:RMSPherror	Sets or queries whether to show the RMS phase error result.
DISPlay:PULSe:RESult:RRATE	Sets or queries whether to show the repetition rate result.
DISPlay:PULSe:RESult:TIME	Sets or queries whether to show the time in the results table.
DISPlay:PULSe:RESult:WIDTH	Sets or queries whether to show the pulse width in the results table.
DISPlay:PULSe:SElect:NUMBer	Sets or queries the pulse to measure.
DISPlay:PULSe:SElect:RESult	Sets or queries which result is shown in the trace and statistics views.
DISPlay:PULSe:STATistics:MARKer:SHOW:STATe	Sets or queries whether to show the marker readout in the graph.
DISPlay:PULSe:STATistics:PLOT	Sets or queries how to show the statistics graph.
DISPlay:PULSe:STATistics:WINDow:TRACe:GRATICule:GRID:STATe	Sets or queries whether to show the graticule grid in the statistics view.
DISPlay:PULSe:STATistics:X:RSCale	Rescales the horizontal axis of the statistics graph.
DISPlay:PULSe:STATistics:X[:SCALE]:NUMBer	Sets or queries the horizontal scale (the number of pulses per division).
DISPlay:PULSe:STATistics:X[:SCALE]:OFFSet	Sets or queries the minimum horizontal value in the statistics view.
DISPlay:PULSe:STATistics:Y:RSCale	Rescales the vertical axis of the statistics graph.
DISPlay:PULSe:STATistics:Y[:SCALE]:FULL	Sets or queries the vertical full-scale in the statistics view.
DISPlay:PULSe:STATistics:Y[:SCALE]:OFFSet	Sets or queries the vertical offset in the statistics view.
DISPlay:PULSe:STATistics:Y[:SCALE]:STOP?	Queries the minimum vertical value in the statistics view.
DISPlay:PULSe:TRACe:MARKer:SHOW:STATe	Sets or queries whether to show the marker readout in the trace view.
DISPlay:PULSe:TRACe:POINT:SHOW	Sets or queries whether to show the measurement points and lines.
DISPlay:PULSe:TRACe:WINDow:TRACe:GRATICule:GRID:STATe	Sets or queries whether to show the graticule grid in the trace view.
DISPlay:PULSe:TRACe:X:RSCale	Rescales the horizontal axis of the pulse trace view.
DISPlay:PULSe:TRACe:X[:SCALE]	Sets or queries the horizontal full scale in the pulse trace view.
DISPlay:PULSe:TRACe:X[:SCALE]:FULL	Sets or queries the full-scale reference for the horizontal rescale.
DISPlay:PULSe:TRACe:X[:SCALE]:OFFSet	Sets or queries the minimum horizontal value in the pulse trace view.
DISPlay:PULSe:TRACe:X[:SCALE]:PDIVision	Sets or queries the horizontal full scale in the pulse trace view.
DISPlay:PULSe:TRACe:Y:RSCale	Rescales the vertical axis of the pulse trace view.
DISPlay:PULSe:TRACe:Y[:SCALE]:FULL	Sets or queries the vertical full scale in the pulse trace view.
DISPlay:PULSe:TRACe:Y[:SCALE]:OFFSet	Sets or queries the vertical offset in the pulse trace view.
DISPlay:PULSe:TRACe:Y[:SCALE]:STOP?	Queries the minimum vertical value in the pulse trace view.
<b>DISPlay:SEM subgroup</b>	<b>Spectral Emissions Mask measurements</b>
DISPlay:SEM:MARKer:SHOW:STATe	Determines whether to show or hide the readout for the selected marker.
DISPlay:SEM:RESet:SCALE	Resets the scale.
DISPlay:SEM:SHOW:LIMit	Sets or queries the appearance of the limits.

**Table 2-15: Display commands (cont.)**

<b>Header</b>	<b>Description</b>
DISPlay:SEM:WINDow:TRACe:GRATicule:GRID:STATe	Determines whether to show or hide the graticule.
DISPlay:SEM:X[:SCALe]:AUTO	Rescales the horizontal scale automatically to fit the waveform.
DISPlay:SEM:X[:SCALe]:START	Sets or queries the start frequency.
DISPlay:SEM:X[:SCALe]:STOP	Sets or queries the stop frequency.
DISPlay:SEM:Y[:SCALe]	Sets or queries the vertical range.
DISPlay:SEM:Y[:SCALe]:AUTO	Rescales the vertical scale automatically to fit the waveform.
DISPlay:SEM:Y[:SCALe]:OFFSet	Sets or queries the vertical offset.
<b>DISPlay:SGRam subgroup</b>	<b>Spectrogram measurement</b>
DISPlay:SGRam:FREQuency:AUTO	Rescales the horizontal (frequency) axis automatically.
DISPlay:SGRam:FREQuency:OFFSet	Sets or queries the horizontal (frequency) offset.
DISPlay:SGRam:FREQuency:SCALe	Sets or queries the horizontal (frequency) range.
DISPlay:SGRAM:MARKer:SHOW:STATe	Sets or queries the marker readout.
DISPlay:SGRAM:SELeCted:TIMeStamp	Sets or queries the time stamp readout.
DISPlay:SGRam:TIME:AUTO	Rescales the vertical axis automatically.
DISPlay:SGRam:TIME:OFFSet	Sets or queries the vertical axis (time) offset (bottom line number).
DISPlay:SGRam:TIME:OFFSet:DIVisions	Sets or queries the Vertical offset or Position in divisions.
DISPlay:SGRam:TIME:OVERlap:PERCent	Sets or queries the Overlap in percent.
DISPlay:SGRam:TIME:SCALe	Sets or queries the vertical scale (the amount of time in each line).
DISPlay:SGRam:TIME:SCALe:PER:DIVision	Sets or queries the vertical Time/division value.
DISPlay:SGRam:TIME:SPECTrums:PERLine?	Queries the Spectrums/Line value.
<b>DISPlay:SPECTrum subgroup</b>	<b>Spectrum measurement</b>
DISPlay:SPECTrum:FREQuency:AUTO	Rescales the horizontal (frequency) axis automatically.
DISPlay:SPECTrum:FREQuency:OFFSet	Sets or queries the horizontal (frequency) offset.
DISPlay:SPECTrum:FREQuency[:SCALe]	Sets or queries the horizontal (frequency) range.
DISPlay:SPECTrum:MARKer:NOISe:MODE	Sets or queries whether to enable the marker noise mode.
DISPlay:SPECTrum:SCALe:LOG:STATe	Sets or queries whether to set the horizontal axis logarithmic.
DISPlay:SPECTrum:WINDow:TRACe:GRATicule:GRID:STATe	Sets or queries whether to show the graticule grid.
DISPlay:SPECTrum:WINDow:TRACe:LEGend:STATe	Show or hide the trace legend in the Spectrum view.
DISPlay:SPECTrum:X:LABel	Sets or queries the labels for the horizontal axis.
DISPlay:SPECTrum:Y[:SCALe]	Sets or queries the vertical range.
DISPlay:SPECTrum:Y[:SCALe]:AUTO	Rescales the vertical axis automatically.
DISPlay:SPECTrum:Y[:SCALe]:OFFSet	Sets or queries the vertical offset.
DISPlay:SPECTrum:Y[:SCALe]:PDIVision	Sets or queries the vertical scale (per division).
DISPlay:SPECTrum:Y[:SCALe]:RESet	Resets the vertical scale to the default values.



Table 2-15: Display commands (cont.)

Header	Description
<b>DISPlay:SPURious subgroup</b>	<b>Spurious measurement</b>
DISPlay:SPURious:MARKer:SHOW:STATe	Sets or queries whether to show the readout for the selected marker.
DISPlay:SPURious:RESet:SCALe	Resets the horizontal and vertical scale to the default values.
DISPlay:SPURious:SCALe:LOG:STATe	Sets or queries whether to set the horizontal axis logarithmic.
DISPlay:SPURious:SElect:NUMBer	Sets or queries the spurious number.
DISPlay:SPURious:SHOW:LIMit	Sets or queries how to display the limits.
DISPlay:SPURious:WINDow:TRACe:GRATICule:GRID:STATe	Determines whether to show the graticule grid on screen.
DISPlay:SPURious:X[:SCALe]:AUTO	Rescales the horizontal axis automatically.
DISPlay:SPURious:X[:SCALe]:START	Sets or queries the minimum horizontal value of the spectrum graph.
DISPlay:SPURious:X[:SCALe]:STOP	Sets or queries the maximum horizontal value of the spectrum graph.
DISPlay:SPURious:Y[:SCALe]	Sets or queries the vertical range of the spectrum graph.
DISPlay:SPURious:Y[:SCALe]:AUTO	Rescales the vertical axis automatically.
DISPlay:SPURious:Y[:SCALe]:OFFSet	Sets or queries the vertical offset of the spectrum graph.
<b>DISPlay:TDiagram subgroup (Option 21 only)</b>	<b>Trellis diagram</b>
DISPlay:TDiagram:WINDow:TRACe:GRATICule:GRID:STATe	Sets or queries whether to show the graticule grid on the screen.
DISPlay:TDiagram:Y[:SCALe]	Sets or queries the vertical scale.
DISPlay:TDiagram:Y[:SCALe]:AUTO	Sets the vertical scale automatically.
DISPlay:TDiagram:Y[:SCALe]:OFFSet	Sets or queries the vertical offset (center point of the vertical axis).
<b>DISPlay:TOVerview subgroup</b>	<b>Time overview</b>
DISPlay:TOVerview:WINDow:TRACe:GRATICule:GRID:STATe	Sets or queries whether to show the graticule grid in the time overview.
DISPlay:TOVerview:X[:SCALe]	Sets or queries the horizontal scale.
DISPlay:TOVerview:X[:SCALe]:AUTO	Sets the horizontal scale and offset automatically.
DISPlay:TOVerview:X[:SCALe]:OFFSet	Sets or queries the minimum horizontal value (left edge).
DISPlay:TOVerview:Y[:SCALe]	Sets or queries the vertical scale.
DISPlay:TOVerview:Y[:SCALe]:AUTO	Sets the vertical scale and offset automatically.
DISPlay:TOVerview:Y[:SCALe]:OFFSet	Sets or queries the vertical offset.
DISPlay:TOVerview:Y[:SCALe]:RESCale	Rescales the vertical scale.
<b>DISPlay:WINDow subgroup</b>	<b>Window display</b>
DISPlay:WINDow:ACTive:MEASurement?	Queries the active measurement views
DISPlay:WINDow:COLor:SCHeme	Sets or queries the color scheme for displaying traces and background on the screen.
DISPlay:WINDow:OPTimized:MEASurement?	Queries the measurement views that are optimized.

# Fetch Commands

The FETCh commands retrieve the measurements from the data taken by the latest INITiate command.

To perform a FETCh operation on fresh data, use the READ commands, which acquire a new input signal and fetch the measurement results from that data.

Table 2-16: Fetch commands

Header	Description
<b>FETCh basic command subgroup</b>	<b>General fetch control</b>
<a href="#">FETCh:RFIN:IQ?</a>	Returns time-domain IQ data for a specific acquisition data record.
<a href="#">FETCh:RFIN:IQ:HEADer?</a>	Returns the header information for a specific acquisition data record.
<a href="#">FETCh:RFIN:IQ:SCALe?</a>	Returns the scaling factor contained in the .tiq file header.
<a href="#">FETCh:RFIN:RECOrd:IDS?</a>	Returns the beginning and end ID numbers of acquisition data.
<b>FETCh:ACPower subgroup</b>	<b>Channel power and ACPR measurement</b>
<a href="#">FETCh:ACPower?</a>	Returns the ACPR measurement results.
<a href="#">FETCh:ACPower:CHANnel:POWer?</a>	Returns the average power of the main channel.
<a href="#">FETCh:ACPower:SPECtrum?</a>	Returns spectrum trace data of the ACPR measurement.
<b>FETCh:{AM FM PM} subgroup (Option 21 only)</b>	<b>AM/FM/PM measurement</b>
<a href="#">FETCh:{AM FM PM}?</a>	Returns the trace data.
<a href="#">FETCh:AM:AMINdex?</a>	FIRST Returns the modulation depth.
<a href="#">FETCh:AM:AMNegative?</a>	Returns the negative peak modulation factor (–AM).
<a href="#">FETCh:AM:AMPositive?</a>	Returns the positive peak modulation factor (+AM).
<a href="#">FETCh:AM:RESult?</a>	Returns the AM measurement results.
<a href="#">FETCh:{FM PM}::FERRor?</a>	Returns the frequency error in the Frequency or Phase modulation measurement.
<a href="#">FETCh:FM:PHALf?</a>	Returns the half peak-peak frequency deviation (Pk-Pk/2).
<a href="#">FETCh:FM:PNEGative?</a>	Returns the negative peak frequency deviation (–Pk).
<a href="#">FETCh:FM:PPOSitive?</a>	Returns the positive peak frequency deviation (+Pk).
<a href="#">FETCh:FM:PTPeak?</a>	Returns the peak-peak frequency deviation (Pk-Pk).
<a href="#">FETCh:FM:RESult?</a>	Returns the FM measurement results.
<a href="#">FETCh:FM:RMS?</a>	Returns the RMS frequency deviation.
<a href="#">FETCh:PM:PNEGative?</a>	Returns the negative peak phase deviation (–Pk).
<a href="#">FETCh:PM:PPOSitive?</a>	Returns the positive peak phase deviation (+Pk).
<a href="#">FETCh:PM:PTPeak?</a>	Returns the peak-peak phase deviation (Pk-Pk).
<a href="#">FETCh:PM:RESult?</a>	Returns the PM measurement results.
<a href="#">FETCh:PM:RMS?</a>	Returns the RMS phase deviation.
<b>FETCh:AUDio subgroup</b>	<b>Audio measurem</b>
<a href="#">FETCh:AUDio:FERRor?</a>	Returns the carrier frequency error in the audio measurement.

Table 2-16: Fetch commands (cont.)

Header	Description
<a href="#">FETCh:AUDio:FREQuency?</a>	Returns the audio frequency.
<a href="#">FETCh:AUDio:HARMonic:COUNT?</a>	Returns the number of harmonics in the audio spectrum measurement.
<a href="#">FETCh:AUDio:HARMonic&lt;x&gt;:AMPLitude?</a>	Returns the amplitude of the specified harmonic in the audio spectrum measurement.
<a href="#">FETCh:AUDio:HARMonic&lt;x&gt;:FREQuency?</a>	Returns the frequency of the specified harmonic in the audio spectrum measurement.
<a href="#">FETCh:AUDio:HNOise?</a>	Returns the difference between the current RMS modulation value and the reference value.
<a href="#">FETCh:AUDio:HNREFerence?</a>	Returns the Hum and Noise RMS modulation reference value.
<a href="#">FETCh:AUDio:HPTPeak?</a>	Returns the half peak-to-peak modulation excursion.
<a href="#">FETCh:AUDio:MODDist?</a>	Returns the modulation distortion for the audio measurement.
<a href="#">FETCh:AUDio:NHARmonic:COUNT?</a>	Returns the number of non-harmonics in the audio spectrum measurement.
<a href="#">FETCh:AUDio:NHARmonic&lt;x&gt;:AMPLitude?</a>	Returns the amplitude of the specified non-harmonic in the audio spectrum measurement.
<a href="#">FETCh:AUDio:NHARmonic&lt;x&gt;:FREQuency?</a>	Returns the frequency of the specified non-harmonic in the audio spectrum measurement.
<a href="#">FETCh:AUDio:PNEGative?</a>	Returns the minus peak modulation excursion.
<a href="#">FETCh:AUDio:POWer?</a>	Returns the carrier power or signal power depending the signal type.
<a href="#">FETCh:AUDio:PPOSitive?</a>	Returns the positive peak modulation excursion.
<a href="#">FETCh:AUDio:RMS?</a>	Returns the RMS modulation excursion for the audio measurement.
<a href="#">FETCh:AUDio:SINad?</a>	Returns the signal-to-noise and distortion for the audio measurement.
<a href="#">FETCh:AUDio:SNOise?</a>	Returns the signal level to noise level with the harmonic distortion and non-harmonic distortion components removed.
<a href="#">FETCh:AUDio:SPECTrum:TRACe&lt;x&gt;?</a>	Returns the audio spectrum trace data for the audio measurement.
<a href="#">FETCh:AUDio:THDist:DB?</a>	Returns the total harmonic distortion in dB in the audio measurement.
<a href="#">FETCh:AUDio:TNHDist?</a>	Returns the percentage of the total harmonic distortion in the audio measurement.
<a href="#">FETCh:AUDio:TNHDist:DB?</a>	Returns the total non-harmonic distortion in dB in the audio measurement.
<a href="#">FETCh:AUDio:TNHDist?</a>	Returns the percentage of the total non-harmonic distortion in the audio measurement.
<b>FETCh:AVTime subgroup</b>	<b>Amplitude versus Time measurement</b>
<a href="#">FETCh:AVTime:AVERAge?</a>	Returns the RMS value.
<a href="#">FETCh:AVTime:{FIRST SECond THIRd FOURth}?</a>	Returns the trace data.
<a href="#">FETCh:AVTime:MAXimum?</a>	Returns the maximum value.
<a href="#">FETCh:AVTime:MAXLocation?</a>	Returns the time at the maximum.
<a href="#">FETCh:AVTime:MINimum?</a>	Returns the minimum value.
<a href="#">FETCh:AVTime:MINLocation?</a>	Returns the time at the minimum.
<a href="#">FETCh:AVTime:RESult?</a>	Returns the measurement results.

Table 2-16: Fetch commands (cont.)

Header	Description
<b>FETCh:CCDF subgroup</b>	<b>CCDF measurement</b>
FETCh:CCDF?	Returns the CCDF measurement results.
FETCh:CCDF:{FIRST SECond THIRd};X?	Returns the horizontal values of the specified trace.
FETCh:CCDF:{FIRST SECond THIRd};XY?	Returns the horizontal and vertical value pairs of the specified trace.
FETCh:CCDF:{FIRST SECond THIRd};:Y?	Returns the vertical values of the specified trace.
<b>FETCh:CONSte subgroup (Option 21 only)</b>	<b>Constellation measurement</b>
FETCh:CONSte:FERRor?	Returns the frequency error in Hz.
FETCh:CONSte:RESults?	Returns the constellation measurement results.
FETCh:CONSte:TRACe?	Returns the constellation trace data.
<b>FETCh:DDEMod subgroup (Option 21 only)</b>	<b>General purpose digital modulation measurements</b>
FETCh:DDEMod:STABle?	Returns the symbol table data.
FETCh:DDEMod:SYNCh:WORD:LENGth?	Returns the length of the synch word in the symbol table.
FETCh:DDEMod:SYNCh:WORD:POSition?	Returns the position of the synch word in the symbol table.
<b>FETCh:DIQVtime subgroup (Option 21 only)</b>	<b>Demodulated I&amp;Q versus Time measurement</b>
FETCh:DIQVtime:FERRor?	Returns the frequency error.
FETCh:DIQVtime:I?	Returns the I versus Time trace data.
FETCh:DIQVtime:Q?	Returns the Q versus Time trace data.
<b>FETCh:DPX subgroup</b>	<b>DPX spectrum measurement</b>
FETCh:DPX:DGRam:LINE:COUNt?	Returns the number of lines in the DPXogram measurement.
FETCh:DPX:DGRam:TIME[:SCALE]:OFFSet?	Returns the time scale offset in the DPXogram measurement.
FETCh:DPX:RESults:TRACe<x>?	Returns waveform data in the DPX spectrum measurement.
FETCh:DPX:TRACe:AVERAge?	Returns waveform data of the average trace in the DPX spectrum measurement.
FETCh:DPX:TRACe:BITMap?	Returns trace waveform data of the bitmap trace.
FETCh:DPX:TRACe:MATH?	Returns waveform data of the math trace.
FETCh:DPX:TRACe:MAXimum?	Returns waveform data of the maximum trace.
FETCh:DPX:TRACe:MINimum?	Returns waveform data of the minimum trace.
<b>FETCh:EDlagram subgroup (Option 21 only)</b>	<b>Eye diagram</b>
FETCh:EDlagram:FDEVIation?	Returns the frequency deviation versus Time trace data.
FETCh:EDlagram:FERRor?	Returns the frequency error.
FETCh:EDlagram:I?	Returns the I versus Time trace data.
FETCh:EDlagram:Q?	Returns the Q versus Time trace data.
<b>FETCh:EVM subgroup (Option 21 only)</b>	<b>EVM versus Time measurement</b>
FETCh:EVM:FERRor?	Returns the frequency error.
FETCh:EVM:PEAK?	Returns the peak value.
FETCh:EVM:PINDex?	Returns the time at the EVM peak.
FETCh:EVM:RMS?	Returns the RMS value.

Table 2-16: Fetch commands (cont.)

Header	Description
<a href="#">FETCh:EVM:TRACe?</a>	Returns the EVM versus Time trace data.
<b>FETCh:FDVTime subgroup (Option 21 only)</b>	<b>Frequency deviation versus Time measurement</b>
<a href="#">FETCh:FDVTime:FERRor?</a>	Returns the frequency error in the Frequency deviation versus Time measurement.
<a href="#">FETCh:FDVTime:TRACe?</a>	Returns the Frequency deviation versus Time trace data.
<b>FETCh:{FSETtling PSETtling} subgroup (Option 12 only)</b>	<b>Frequency and Phase Settling measurements</b>
<a href="#">FETCh:FSETtling:ERRor?</a>	Returns the settled error in Hz in Frequency Settling.
<a href="#">FETCh:{FSETtling PSETtling}:FTTime?</a>	Returns the settling time from the trigger position in seconds.
<a href="#">FETCh:{FSETtling PSETtling}:MASK[:PASS]?</a>	Returns whether the input signal passes the mask test.
<a href="#">FETCh:{FSETtling PSETtling}:SETTled:FREQuency?</a>	Returns the frequency at which the signal is considered settled.
<a href="#">FETCh:{FSETtling PSETtling}:SETTled[:PASS]?</a>	Returns whether the input signal is settled with the tolerance range.
<a href="#">FETCh:{FSETtling PSETtling}:SETTled:TIME?</a>	Returns the settled time in seconds.
<a href="#">FETCh:{FSETtling PSETtling}:SLMSd[:PASS]?</a>	Returns whether the input signal is settled within the specified tolerance and the signal is settled longer than the Minimum Settled Duration.
<a href="#">FETCh:{FSETtling PSETtling}:START:TIME?</a>	Returns the start time for the measurement in seconds.
<a href="#">FETCh:{FSETtling PSETtling}:TIME?</a>	Returns the settling time in seconds. The settling time is measured from the start time.
<a href="#">FETCh:{FSETtling PSETtling}:TRACe&lt;x&gt;:X?</a>	Returns the settling time in seconds. The settling time is measured from the start time.
<a href="#">FETCh:{FSETtling PSETtling}:TRACe&lt;x&gt;:XY?</a>	Returns the time and frequency or phase value pairs of the specified trace.
<a href="#">FETCh:{FSETtling PSETtling}:TRACe&lt;x&gt;[:Y]?</a>	Returns the frequency or phase values of the specified trace.
<a href="#">FETCh:{FSETtling PSETtling}:TRIGger:TIME?</a>	Returns the time when the trigger occurred in seconds.
<a href="#">FETCh:{FSETtling PSETtling}:VALue?</a>	Returns the settled value in Hz for Frequency Settling and in degrees for Phase Settling.
<b>FETCh:FVTime subgroup</b>	<b>Frequency versus Time measurement</b>
<a href="#">FETCh:FVTime?</a>	Returns the Frequency versus Time trace data.
<a href="#">FETCh:FVTime:MAXimum?</a>	Returns the maximum value.
<a href="#">FETCh:FVTime:MAXLocation?</a>	Returns the time at which the frequency drift is maximum.
<a href="#">FETCh:FVTime:MINimum?</a>	Returns the minimum value.
<a href="#">FETCh:FVTime:MINLocation?</a>	Returns the time at which the frequency drift is minimum.
<a href="#">FETCh:FVTime:RESult?</a>	Returns the measurement results.
<b>FETCh:IQVTime subgroup</b>	<b>RF I&amp;Q versus Time measurement</b>
<a href="#">FETCh:IQVTime:I?</a>	Returns the I versus Time trace data.
<a href="#">FETCh:IQVTime:MAXimum?</a>	Returns the maximum value.
<a href="#">FETCh:IQVTime:MAXLocation?</a>	Returns the time at which the I or Q level is maximum.
<a href="#">FETCh:IQVTime:MINimum?</a>	Returns the minimum value.
<a href="#">FETCh:IQVTime:MINLocation?</a>	Returns the time at which the I or Q level is minimum.

Table 2-16: Fetch commands (cont.)

Header	Description
<a href="#">FETCh:IQVTime:Q?</a>	Returns the Q versus Time trace data.
<a href="#">FETCh:IQVTime:RESult?</a>	Returns the measurement results.
<b>FETCh:MCPower subgroup</b>	<b>M CPR measurement</b>
<a href="#">FETCh:MCPower:ADJacent:CHANnels?</a>	Returns the power of adjacent channels.
<a href="#">FETCh:MCPower:CHANnel:POWer?</a>	Returns the reference power.
<a href="#">FETCh:MCPower:MAIN:CHANnels?</a>	Returns the power of main channels.
<a href="#">FETCh:MCPower:SPECTrum?</a>	Returns spectrum trace data.
<b>FETCh:MERRor subgroup (Option 21 only)</b>	<b>M agnitude error versus T ime measurement</b>
<a href="#">FETCh:MERRor:FERRor?</a>	Returns the frequency error.
<a href="#">FETCh:MERRor:PEAK?</a>	Returns the peak value.
<a href="#">FETCh:MERRor:PINDEX?</a>	Returns the time at the magnitude error peak.
<a href="#">FETCh:MERRor:RMS?</a>	Returns the RMS value.
<a href="#">FETCh:MERRor:TRACe?</a>	Returns the Magnitude error versus Time trace data.
<b>FETCh:OBWidth subgroup</b>	<b>O ccupied B andwidth measurement</b>
<a href="#">FETCh:OBWidth:FREQuency:ERRor?</a>	Returns the frequency error.
<a href="#">FETCh:OBWidth:OBWidth:BA NDwidth?</a>	Returns the occupied bandwidth.
<a href="#">FETCh:OBWidth:OBWidth:LEFT:FREQuency?</a>	Returns the left (lower) frequency of the occupied bandwidth.
<a href="#">FETCh:OBWidth:OBWidth:LEFT:LEVel?</a>	Returns the level at the left frequency of the occupied bandwidth.
<a href="#">FETCh:OBWidth:OBWidth:POWer?</a>	Returns the reference power in the Occupied Bandwidth measurement.
<a href="#">FETCh:OBWidth:OBWidth:RIGHT:FREQuency?</a>	Returns the right (higher) frequency of the occupied bandwidth.
<a href="#">FETCh:OBWidth:OBWidth:RIGHT:LEVel?</a>	Returns the level at the right frequency of the occupied bandwidth.
<a href="#">FETCh:OBWidth:SPECTrum?</a>	Returns spectrum trace data of the Occupied Bandwidth measurement.
<a href="#">FETCh:OBWidth:XDBBandwidth:BA NDwidth?</a>	Returns the x dB bandwidth.
<a href="#">FETCh:OBWidth:XDBBandwidth:LEFT:FREQuency?</a>	Returns the left (lower) frequency of the x dB bandwidth.
<a href="#">FETCh:OBWidth:XDBBandwidth:LEFT:LEVel?</a>	Returns the level at the left frequency of the x dB bandwidth.
<a href="#">FETCh:OBWidth:XDBBandwidth:POWer?</a>	Returns the reference power in the x dB bandwidth measurement.
<a href="#">FETCh:OBWidth:XDBBandwidth:RIGHT:FREQuency?</a>	Returns the right (higher) frequency of the x dB bandwidth.
<a href="#">FETCh:OBWidth:XDBBandwidth:RIGHT:LEVel?</a>	Returns the level at the right frequency of the x dB bandwidth.
<b>FETCh:OFDM subgroup</b>	<b>O rthogonal F requency D ivision M ultiplexing measurement</b>
<a href="#">FETCh:OFDM:APOWer?</a>	Returns the average power.
<a href="#">FETCh:OFDM:APOWer:PEAK?</a>	Returns the peak-to-average power.
<a href="#">FETCh:OFDM:CONSt:MA GNitude?</a>	Returns the constellation magnitude data.
<a href="#">FETCh:OFDM:CONSt:PHASe?</a>	Returns the constellation phase values.
<a href="#">FETCh:OFDM:CONSt:TYPE?</a>	Returns the constellation context value.
<a href="#">FETCh:OFDM:CONSt:VALue?</a>	Returns the constellation value.
<a href="#">FETCh:OFDM:CPE?</a>	Returns the Common Pilot Error magnitude.
<a href="#">FETCh:OFDM:CRESPonse:MA GNitude?</a>	Returns the channel response magnitude data.

Table 2-16: Fetch commands (cont.)

Header	Description
FETCh:OFDM:CRESPonse:PHASe?	Returns the channel response phase data.
FETCh:OFDM:EVM:PEAK:DECibel:ALL?	Returns the peak EVM data for all subcarriers.
FETCh:OFDM:EVM:PEAK:DECibel:DATA?	Returns the peak EVM data for the data subcarriers.
FETCh:OFDM:EVM:PEAK:DECibel:PILOts?	Returns the peak EVM data for the pilot subcarriers.
FETCh:OFDM:EVM:PEAK:PERCent:ALL?	Returns the peak EVM data for all subcarriers.
FETCh:OFDM:EVM:PEAK:PERCent:DATA?	Returns the peak EVM data for the data subcarriers.
FETCh:OFDM:EVM:PEAK:PERCent:PILOts?	Returns the peak EVM data for the pilot subcarriers.
FETCh:OFDM:EVM:PEAK:SCARrier:ALL?	Returns the peak EVM data for all subcarriers.
FETCh:OFDM:EVM:PEAK:SCARrier:DATA?	Returns the peak EVM data for all data subcarriers.
FETCh:OFDM:EVM:PEAK:SCARrier:PILOts?	Returns the peak EVM data for the pilot subcarriers.
FETCh:OFDM:EVM:PEAK:SYMBol:ALL?	Returns the peak EVM data for all subcarriers.
FETCh:OFDM:EVM:PEAK:SYMBol:DATA?	Returns the peak EVM data for the data subcarriers.
FETCh:OFDM:EVM:PEAK:SYMBol:PILOts?	Returns the peak EVM data for the pilot subcarriers.
FETCh:OFDM:EVM:RMS:DECibel:ALL?	Returns the RMS EVM data for all subcarriers
FETCh:OFDM:EVM:RMS:DECibel:DATA?	Returns the RMS EVM data for the data subcarriers.
FETCh:OFDM:EVM:RMS:DECibel:PILOts?	Returns the RMS EVM data for the pilot subcarriers.
FETCh:OFDM:EVM:RMS:PERCent:ALL?	Returns the peak RMS data for all subcarriers
FETCh:OFDM:EVM:RMS:PERCent:DATA?	Returns the peak RMS data for the data subcarriers.
FETCh:OFDM:EVM:RMS:PERCent:PILOts?	Returns the peak RMS data for the pilot subcarriers.
FETCh:OFDM:EVM:TRACe(x)?	Returns the EVM trace data.
FETCh:OFDM:FERRor?	Returns the Frequency error reading.
FETCh:OFDM:GAIN:IMBalance?	Returns the gain imbalance.
FETCh:OFDM:IQ:ORIGin:OFFSet?	Returns the IQ origin offset.
FETCh:OFDM:MERRor:TRACe(x)?	Returns the magnitude error trace data.
FETCh:OFDM:PACKet:DIRection?	Returns the direction of the packet.
FETCh:OFDM:PERRor:TRACe(x)?	Returns the phase error trace data.
FETCh:OFDM:POWEr:TRACe(x)?	Returns the power trace data.
FETCh:OFDM:QUADrature:OFFSet?	Returns the quadrature offset.
FETCh:OFDM:SCARriers?	Returns the number of subcarriers.
FETCh:OFDM:SCARriers:SPACing?	Returns the subcarrier spacing.
FETCh:OFDM:STABle:VALUe?	Returns the number of bytes in the symbol table.
FETCh:OFDM:SYMBol:CERRor?	Returns the symbol clock error.
FETCh:OFDM:SYMBol:COUNT?	Returns the number of symbols.
<b>FETCh:PERRor subgroup (Option 21 only)</b>	<b>Phase error versus Time measurement</b>
FETCh:PERRor:FERRor?	Returns the frequency error.
FETCh:PERRor:PEAK?	Returns the peak value.
FETCh:PERRor:PINDex?	Returns the time at the phase error peak.

Table 2-16: Fetch commands (cont.)

Header	Description
FETCh:PERRor:RMS?	Returns the RMS value.
FETCh:PERRor:TRACe?	Returns the Phase error versus Time trace data.
<b>FETCh:PHVTime subgroup</b>	<b>Phase versus Time measurement</b>
FETCh:PHVTime?	Returns the Phase versus Time trace data.
FETCh:PHVTime:MAXimum?	Returns the maximum value.
FETCh:PHVTime:MAXLocation?	Returns the time at which the phase is maximum.
FETCh:PHVTime:MINimum?	Returns the minimum value.
FETCh:PHVTime:MINLocation?	Returns the time at which the phase is minimum.
FETCh:PHVTime:RESult?	Returns the results.
<b>FETCh:PNOise subgroup (Option 11 only)</b>	<b>Phase noise measurements</b>
FETCh:PNOise:ALL?	Returns all the measurement results.
FETCh:PNOise:CARRier:FERRor?	Returns the carrier frequency error.
FETCh:PNOise:CARRier:POWer?	Returns the carrier power.
FETCh:PNOise:RESidual:FM?	Returns the residual FM.
FETCh:PNOise:RMS:PNOise?	Returns the RMS phase noise.
FETCh:PNOise:SPECtrum<x>:X?	Returns the frequencies of the specified trace.
FETCh:PNOise:SPECtrum<x>:XY?	Returns the frequency and phase noise pairs of the specified trace.
FETCh:PNOise:SPECtrum<x>[:Y]?	Returns the phase noise values of the specified trace.
FETCh:PNOise:JITTer?	Returns the jitter.
<b>FETCh:PULSe subgroup (Option 20 only)</b>	<b>Pulsed RF measurements</b>
FETCh:PULSe[:RESult]:ATX?	Returns the average transmitted power in the results table.
FETCh:PULSe[:RESult]:AVERage?	Returns the average on power in the results table.
FETCh:PULSe[:RESult]:DRODb?	Returns the droop in dB in the pulse table.
FETCh:PULSe[:RESult]:DROop?	Returns the droop in the pulse table.
FETCh:PULSe[:RESult]:DUTPct?	Returns the duty factor (%) in the results table.
FETCh:PULSe[:RESult]:DUTRatio?	Returns the duty factor (ratio) in the results table.
FETCh:PULSe[:RESult]:FALL?	Returns the fall time in the results table.
FETCh:PULSe[:RESult]:FRDeviatiOn?	Returns the frequency deviation in the results table.
FETCh:PULSe[:RESult]:IRAMplitude?	Returns the pulse impulse response amplitude measurement in the pulse table.
FETCh:PULSe[:RESult]:IRTime?	Returns the impulse response time in the pulse table.
FETCh:PULSe[:RESult]:MFRreqerror?	Returns the maximum frequency error in the results table.
FETCh:PULSe[:RESult]:MPHerror?	Returns the maximum phase error in the results table.
FETCh:PULSe[:RESult]:OVEDb?	Returns the overshoot in dB in the pulse table.
FETCh:PULSe[:RESult]:OVERshoot?	Returns the overshoot in the pulse table.
FETCh:PULSe[:RESult]:PHDeviatiOn?	Returns the phase deviation in the results table.
FETCh:PULSe[:RESult]:PPFRequency?	Returns the pulse-pulse carrier frequency in the results table.



Table 2-16: Fetch commands (cont.)

Header	Description
<a href="#">FETCh:PULSe[:RESult]:PPOWer?</a>	Returns the peak power in the results table.
<a href="#">FETCh:PULSe[:RESult]:PPPHase?</a>	Returns the pulse-pulse carrier phase in the results table.
<a href="#">FETCh:PULSe[:RESult]:RINterval?</a>	Returns the repetition interval in the results table.
<a href="#">FETCh:PULSe[:RESult]:RIPDb?</a>	Returns the ripple in dB in the pulse table.
<a href="#">FETCh:PULSe[:RESult]:RIPPlE?</a>	Returns the ripple in the pulse table.
<a href="#">FETCh:PULSe[:RESult]:RISE?</a>	Returns the rise time in the results table.
<a href="#">FETCh:PULSe[:RESult]:RMSFreqerror?</a>	Returns the RMS frequency error in the results table.
<a href="#">FETCh:PULSe[:RESult]:RMSPherror?</a>	Returns the RMS phase error in the results table.
<a href="#">FETCh:PULSe[:RESult]:RRATe?</a>	Returns the repetition rate in the results table.
<a href="#">FETCh:PULSe[:RESult]:TIME?</a>	Returns the time in the results table.
<a href="#">FETCh:PULSe[:RESult]:WIDTh?</a>	Returns the pulse width in the results table.
<a href="#">FETCh:PULSe:STATistics:ATX?</a>	Returns the average transmitted power of the statistics.
<a href="#">FETCh:PULSe:STATistics:AVERage?</a>	Returns the average on power of the statistics.
<a href="#">FETCh:PULSe:STATistics:DRODb?</a>	Returns the droop in dB of the statistics.
<a href="#">FETCh:PULSe:STATistics:DROOp?</a>	Returns the droop of the statistics
<a href="#">FETCh:PULSe:STATistics:DUTPct?</a>	Returns the duty factor (%) of the statistics.
<a href="#">FETCh:PULSe:STATistics:DUTRatio?</a>	Returns the duty factor (ratio) of the statistics.
<a href="#">FETCh:PULSe:STATistics:FALL?</a>	Returns the fall time of the statistics.
<a href="#">FETCh:PULSe:STATistics:FRDeviation?</a>	Returns the frequency deviation of the statistics.
<a href="#">FETCh:PULSe:STATistics:IRAMplitude?</a>	Returns the Pulse Impulse Response amplitude measurement in the pulse statistics.
<a href="#">FETCh:PULSe:STATistics:IRTime?</a>	Returns the impulse response time in the pulse statistics.
<a href="#">FETCh:PULSe:STATistics:MFRqerror?</a>	Returns the maximum frequency error of the statistics.
<a href="#">FETCh:PULSe:STATistics:MPHerror?</a>	Returns the maximum phase error of the statistics.
<a href="#">FETCh:PULSe:STATistics:OVEDb?</a>	Returns the overshoot measurement result in dB in the pulse statistics.
<a href="#">FETCh:PULSe:STATistics:OVERshoot?</a>	Returns the overshoot measurement result in the pulse statistics.
<a href="#">FETCh:PULSe:STATistics:PHDeviation?</a>	Returns the phase deviation of the statistics.
<a href="#">FETCh:PULSe:STATistics:PPFRequency?</a>	Returns the pulse-pulse carrier frequency of the statistics.
<a href="#">FETCh:PULSe:STATistics:PPOWer?</a>	Returns the peak power of the statistics.
<a href="#">FETCh:PULSe:STATistics:PPPHase?</a>	Returns the pulse-pulse carrier phase of the statistics.
<a href="#">FETCh:PULSe:STATistics:RINterval?</a>	Returns the repetition interval of the statistics.
<a href="#">FETCh:PULSe:STATistics:RIPDb?</a>	Returns the ripple in dB of the statistics.
<a href="#">FETCh:PULSe:STATistics:RIPPlE?</a>	Returns the ripple of the statistics.
<a href="#">FETCh:PULSe:STATistics:RISE?</a>	Returns the rise time of the statistics.
<a href="#">FETCh:PULSe:STATistics:RMSFreqerror?</a>	Returns the RMS frequency error of the statistics.
<a href="#">FETCh:PULSe:STATistics:RMSPherror?</a>	Returns the RMS phase error of the statistics.
<a href="#">FETCh:PULSe:STATistics:RRATe?</a>	Returns the repetition rate of the statistics.

Table 2-16: Fetch commands (cont.)

Header	Description
FETCh:PULSe:STATistics:WIDTh?	Returns the pulse width in the pulse statistics.
FETCh:PULSe:STATistics:X?	Returns the horizontal values of the trace data.
FETCh:PULSe:STATistics:XY?	Returns the horizontal and vertical values of the trace data.
FETCh:PULSe:STATistics[:Y]?	Returns the vertical values of the trace data.
FETCh:PULSe:TRACe:X?	Returns the time values of the pulse trace.
FETCh:PULSe:TRACe:XY?	Returns the horizontal (time) and vertical value pairs of the pulse trace.
FETCh:PULSe:TRACe[:Y]?	Returns the vertical values of the pulse trace.
<b>FETCh:RFIN subgroup</b>	<b>All measurements</b>
FETCh:RFIN:IQ?	Returns time-domain IQ data for a specific acquisition data record.
FETCh:RFIN:IQ:HEADer?	Returns the header information for a specific acquisition data record.
FETCh:RFIN:IQ:SCALe?	Returns the internal RF linear data scaling factor contained in the .tiq file header
FETCh:RFIN:RECOrd:IDS?	Returns the beginning and end ID numbers of acquisition data.
<b>FETCh:SEM subgroup</b>	<b>Spectral Emissions Mask measurements</b>
FETCh:SEM:MHITs:COUnT?	Returns the number of rows in the results table
FETCh:SEM:MHITs<x>:AMPLitude:ABSolute?	Returns the absolute amplitude of the specified mask hit signal.
FETCh:SEM:MHITs<x>:AMPLitude:RELative?	Returns the relative amplitude of the specified mask hit signal.
FETCh:SEM:MHITs<x>:FREQuency?	Returns the frequency of the specified mask hit signal.
FETCh:SEM:MHITs<x>:INTeg:ABSolute?	Returns the absolute integration amplitude of the specified mask hit signal.
FETCh:SEM:MHITs<x>:INTeg:RELative?	Returns the relative integration amplitude of the specified mask hit signal.
FETCh:SEM:MHITs<x>:MARGin:ABSolute?	Returns the absolute margin for the specified mask hit signal.
FETCh:SEM:MHITs<x>:MARGin:RELative?	Returns the relative margin for the specified mask hit signal.
FETCh:SEM:MHITs<x>:OFFSet?	Returns the offset for the specified mask hit signal.
FETCh:SEM:PASS?	Returns the pass/fail limit test result.
FETCh:SEM:REF:POWer?	Returns the reference power level.
FETCh:SEM:SPECtrum:X?	Returns the frequencies of the spectrum trace.
FETCh:SEM:SPECtrum:XY?	Returns the frequency and amplitude pairs of the spectrum trace.
FETCh:SEM:SPECtrum[:Y]?	Returns the amplitude of the spectrum trace.
<b>FETCh:SGRam subgroup</b>	<b>Spectrogram measurement</b>
FETCh:SGRam?	Returns the spectrogram trace data.
<b>FETCh:SPECtrum subgroup</b>	<b>Spectrum measurement</b>
FETCh:SPECtrum:TRACe<x>?	Returns the trace data in the Spectrum Analyzer measurement.
<b>FETCh:SPURious subgroup</b>	<b>Spurious measurement</b>
FETCh:SPURious:CARRier:POWer?	Returns the carrier power.
FETCh:SPURious:COUnT?	Returns the number of spurious signals.
FETCh:SPURious:PASS?	Returns the pass/fail limit test result.
FETCh:SPURious:SPECtrum:X?	Returns the frequencies of the spectrum trace.

Table 2-16: Fetch commands (cont.)

Header	Description
<a href="#">FETCh:SPURious:SPECtrum:XY?</a>	Returns the frequency and amplitude pairs of the spectrum trace.
<a href="#">FETCh:SPURious:SPECtrum[:Y]?</a>	Returns the amplitudes of the spectrum trace.
<a href="#">FETCh:SPURious:SPUR&lt;x&gt;:AMPLitude:ABSolute?</a>	Returns the absolute amplitude of the specified spurious signal.
<a href="#">FETCh:SPURious:SPUR&lt;x&gt;:AMPLitude:RELative?</a>	Returns the relative amplitude of the specified spurious signal.
<a href="#">FETCh:SPURious:SPUR&lt;x&gt;:FREQuency:ABSolute?</a>	Returns the absolute frequency of the specified spurious signal.
<a href="#">FETCh:SPURious:SPUR&lt;x&gt;:FREQuency:RELative?</a>	Returns the relative frequency of the specified spurious signal.
<a href="#">FETCh:SPURious:SPUR&lt;x&gt;:LIMit:ABSolute?</a>	Returns the absolute amplitude of the limit for a spurious signal.
<a href="#">FETCh:SPURious:SPUR&lt;x&gt;:LIMit:RELative?</a>	Returns the relative amplitude of the limit for a spurious signal.
<a href="#">FETCh:SPURious:SPUR&lt;x&gt;:LIMit:VIOLation?</a>	Returns whether the specified spurious signal exceeds the limit or not.
<a href="#">FETCh:SPURious:SPUR&lt;x&gt;:RANGe?</a>	Returns the frequency range in which the spurious signal occurred.
<b>FETCh:SQUality subgroup (Option 21 only)</b>	<b>Signal quality measurement</b>
<a href="#">FETCh:SQUality:FREQuency:DEViation?</a>	Returns the frequency deviation.
<a href="#">FETCh:SQUality:FREQuency:DEViation:TABLE?</a>	Returns the frequency deviation measurement results table.
<a href="#">FETCh:SQUality:FREQuency:ERRor?</a>	Returns the frequency error.
<a href="#">FETCh:SQUality:GAIN:IMBalance?</a>	Returns the gain imbalance.
<a href="#">FETCh:SQUality:ORIGin:OFFSet?</a>	Returns the origin offset.
<a href="#">FETCh:SQUality:PEAK:EVM?</a>	Returns the peak EVM (%).
<a href="#">FETCh:SQUality:PEAK:EVM:DB?</a>	Returns the peak EVM (dB).
<a href="#">FETCh:SQUality:PEAK:EVM:DB:OFFSet?</a>	Returns the peak offset EVM (dB).
<a href="#">FETCh:SQUality:PEAK:EVM:LOCation?</a>	Returns the time at which the EVM is peak.
<a href="#">FETCh:SQUality:PEAK:EVM:LOCation:OFFSet?</a>	Returns the time at which the offset EVM is peak.
<a href="#">FETCh:SQUality:PEAK:EVM:OFFSet?</a>	Returns the peak offset EVM (%) in the signal quality measurement.
<a href="#">FETCh:SQUality:PEAK:FERRor?</a>	Returns the peak FSK error.
<a href="#">FETCh:SQUality:PEAK:MERRor?</a>	Returns the peak magnitude error (%).
<a href="#">FETCh:SQUality:PEAK:MERRor:DB?</a>	Returns the peak magnitude error (dB).
<a href="#">FETCh:SQUality:PEAK:MERRor:LOCation?</a>	Returns the time at which the magnitude error is peak.
<a href="#">FETCh:SQUality:PEAK:PERRor?</a>	Returns the peak phase error.
<a href="#">FETCh:SQUality:PEAK:PERRor:LOCation?</a>	Returns the time at which the phase error is peak.
<a href="#">FETCh:SQUality:QUADrature:ERRor?</a>	Returns the quadrature error.
<a href="#">FETCh:SQUality:RHO?</a>	Returns the r (waveform quality).
<a href="#">FETCh:SQUality:RMS:EVM?</a>	Returns the RMS EVM (%).
<a href="#">FETCh:SQUality:RMS:EVM:DB?</a>	Returns the RMS EVM (dB).
<a href="#">FETCh:SQUality:RMS:EVM:DB:OFFSet?</a>	Returns the RMS offset EVM (dB).
<a href="#">FETCh:SQUality:RMS:EVM:OFFSet?</a>	Returns the RMS offset EVM (%).
<a href="#">FETCh:SQUality:RMS:FERRor?</a>	Returns the RMS FSK error.
<a href="#">FETCh:SQUality:RMS:MER:DB?</a>	Returns the RMS MER (dB).
<a href="#">FETCh:SQUality:RMS:MERRor?</a>	Returns the RMS magnitude error (%).

Table 2-16: Fetch commands (cont.)

Header	Description
<a href="#">FETCh:SQUality:RMS:MERRor:DB?</a>	Returns the RMS magnitude error (dB).
<a href="#">FETCh:SQUality:RMS:PERRor?</a>	Returns the RMS phase error.
<a href="#">FETCh:SQUality:SYMBol:LENGth?</a>	Returns the number of analyzed symbols.
<a href="#">FETCh:SQUality:SYMBol:RATE?</a>	Returns the value of the calculated symbol rate.
<a href="#">FETCh:SQUality:SYMBol:RATE:ERRor?</a>	Returns the value of the symbol rate error.
<b>FETCh:TDiagram subgroup (Option 21 only)</b>	<b>Trellis diagram</b>
<a href="#">FETCh:TDiagram:FERRor?</a>	Returns the frequency error.
<a href="#">FETCh:TDiagram:TRACe?</a>	Returns the Trellis diagram trace data.
<b>FETCh:TOVerview subgroup</b>	<b>Time overview</b>
<a href="#">FETCh:TOVerview?</a>	Returns the trace data.

# Initiate Commands

Use the INITiate commands to control the acquisition of data.

**Table 2-17: Initiate commands**

<b>Header</b>	<b>Description</b>
<a href="#">INITiate:CONTinuous</a>	Sets or queries whether to acquire data continuously.
<a href="#">INITiate:RESume</a>	Starts data acquisition.

# Input Commands

Use the INPut commands to control the characteristics of the signal input.

**Table 2-18: Input commands**

Header	Description
<code>INPut:CORRection:EXTernal:EDIT&lt;x&gt;:INTerpolation</code>	Sets or queries the interpolation setting to use with the indicated external gain table.
<code>INPut:CORRection:EXTernal:EDIT&lt;x&gt;:NEW</code>	Creates the indicated (x) external loss table.
<code>INPut:CORRection:EXTernal:TYPE</code>	Sets or queries the data type to use when applying the external loss table corrections.
<code>INPut:{MLEVel RLEVel}</code>	Sets or queries the reference level.
<code>INPut[:RF]:ATTenuation</code>	Sets or queries the input attenuation.
<code>INPut[:RF]:ATTenuation:AUTO</code>	Sets or queries whether to set the attenuation automatically.
<code>INPut[:RF]:ATTenuation:MONitor:STATE</code>	Sets or queries whether to enable to monitor attenuator use.
<code>INPut[:RF]:GAIN:STATE</code> (Option 01 only)	Sets or queries whether to enable the internal preamplifier.

# Mass Memory Commands

Use the MMEMory commands to manipulate files on the mass memory devices.

For the trace specifier TRACe<x>, refer to *Trace Mnemonics*. (See page 2-94.)

**Table 2-19: Mass memory (MMEMory) commands**

Header	Description
<b>MMEMory:{AM FM PM} subgroup</b>	<b>AM/FM/PM measurement</b>
MMEMory:{AM FM PM}:LOAD:TRACe	Loads trace data from the specified file.
MMEMory:{AM FM PM}:SHOW:TRACe<x>	Enables display of a recalled trace file.
MMEMory:{AM FM PM}:STORE:TRACe	Stores trace data in the specified file.
<b>MMEMory:AVTime subgroup</b>	<b>Amplitude versus Time measurement</b>
MMEMory:AVTime:LOAD:TRACe<x>	Loads trace data from the specified file.
MMEMory:AVTime:SHOW:TRACe<x>	Enables display of a recalled trace file.
MMEMory:AVTime:STORE:TRACe<x>	Stores trace data in the specified file.
<b>MMEMory:CALibration subgroup</b>	<b>Measurement calibration</b>
MMEMory:CALibration:LOAD:CORRection:EXTernal:EDIT<x>	Loads the external loss table data from a specified file.
MMEMory:CALibration:STORE:CORRection:EXTernal:EDIT<x>	Stores an external loss table to a specified file.
<b>MMEMory:CCDF subgroup</b>	<b>CCDF measurement</b>
MMEMory:CCDF:LOAD:TRACe<x>	Loads trace data from the specified file.
MMEMory:CCDF:SHOW:TRACe<x>	Enables display of a recalled trace file.
MMEMory:CCDF:STORE:TRACe<x>	Stores trace data in the specified file.
<b>MMEMory:DDEMod subgroup</b>	<b>DPX spectrum measurement</b>
MMEMory:DDEMod:LOAD:FILTer:MEASurement:USER<x>	Loads a user-defined measurement filter from the specified file.
MMEMory:DDEMod:LOAD:FILTer:MEASurement:UOTHer	Loads a user-defined measurement filter from the specified file.
MMEMory:DDEMod:LOAD:FILTer:REFerence:USER<x>	Loads the specified user-defined reference filter.
MMEMory:DDEMod:LOAD:FILTer:REFerence:UOTHer	Loads the specified user-defined reference filter
MMEMory:DDEMod:LOAD:SYMBol:MAP	Loads the specified symbol map filename.
<b>MMEMory:DPX subgroup</b>	<b>DPX spectrum measurement</b>
MMEMory:DPX:LOAD:TRACe<x>	Loads trace data from the specified file.
MMEMory:DPX:SHOW:TRACe<x>	Enables display of a recalled trace file.
MMEMory:DPX:STORE:TRACe<x>	Stores trace data in the specified file.

Table 2-19: Mass memory (MMEMory) commands (cont.)

Header	Description
<b>MMEMory:{FSETtling PSETtling} subgroup</b>	<b>Frequency and Phase Settling time measurements</b>
<a href="#">[MMEMory:{FSETtling PSETtling}:LOAD:TRACe&lt;x&gt;</a>	Loads the Frequency or Phase Settling Time trace data from the specified file.
<a href="#">[MMEMory:{FSETtling PSETtling}:SHOW:TRACe&lt;x&gt;</a>	Enables display of a recalled Frequency or Phase Settling trace file in Trace<x>.
<a href="#">[MMEMory:{FSETtling PSETtling}:STORE:TRACe&lt;x&gt;</a>	Stores the Frequency or Phase Settling trace data in the specified file.
<b>MMEMory:FVTime subgroup</b>	<b>Frequency versus Time measurement</b>
<a href="#">MMEMory:FVTime:LOAD:TRACe</a>	Loads trace data from the specified file.
<a href="#">MMEMory:FVTIME:SHOW:TRACe&lt;x&gt;</a>	Enables display of a recalled trace file.
<a href="#">MMEMory:FVTime:STORE:TRACe</a>	Stores trace data in the specified file.
<b>MMEMory:IQVTime subgroup</b>	<b>RF I&amp;Q versus Time measurement</b>
<a href="#">MMEMory:IQVTime:LOAD:TRACe:I</a>	Loads I trace data from the specified file.
<a href="#">MMEMory:IQVTime:LOAD:TRACe:Q</a>	Loads Q trace data from the specified file.
<a href="#">MMEMory:IQVTIME:SHOW:TRACe:I</a>	Loads trace data from the specified file.
<a href="#">MMEMory:IQVTIME:SHOW:TRACe&lt;x&gt;:Q</a>	Enables display of a recalled trace file.
<a href="#">MMEMory:IQVTime:STORE:TRACe:I</a>	Stores I trace data in the specified file.
<a href="#">MMEMory:IQVTime:STORE:TRACe:Q</a>	Stores Q trace data in the specified file.
<b>MMEMory:LOAD subgroup</b>	<b>Load commands</b>
<a href="#">MMEMory:LOAD:IQ</a>	Loads time-domain IQ waveform from a specified file.
<a href="#">MMEMory:LOAD:STATe</a>	Loads the instrument setup from a specified file.
<a href="#">MMEMory:LOAD:TRACe</a>	Loads the trace data from a specified file.
<b>MMEMory:OFDM CONSTe subgroup</b>	<b>OFDM Constellation commands</b>
<a href="#">MMEMory:OFDM:CONSte:LOAD:TRACe</a>	Loads trace data from the specified file.
<a href="#">MMEMory:OFDM:CONSte:SHOW:TRACe</a>	Enables the display of a recalled trace file.
<a href="#">MMEMory:OFDM:CONSte:STORE:TRACe</a>	Stores trace data in the specified file.
<b>MMEMory:PHVTime subgroup</b>	<b>Phase versus Time measurement</b>
<a href="#">MMEMory:PHVTime:LOAD:TRACe</a>	Loads trace data from the specified file.
<a href="#">MMEMory:PHVTime:SHOW:TRACe</a>	Enables display of a recalled trace file.
<a href="#">MMEMory:PHVTime:STORE:TRACe</a>	Stores trace data in the specified file.
<b>MMEMory:PNOise subgroup</b>	<b>Phase noise measurement</b>
<a href="#">MMEMory:PNOise:LOAD:TRACe&lt;x&gt;</a>	Loads the Phase Noise trace data from the specified file.
<a href="#">MMEMory:PNOise:SHOW:TRACe&lt;x&gt;</a>	Enables display of a recalled Phase Noise trace file.
<a href="#">MMEMory:PNOise:STORE:TRACe&lt;x&gt;</a>	Stores the Phase Noise trace data in the specified file.
<b>MMEMory:SEM subgroup</b>	<b>Spectral Emissions Mask measurement</b>
<a href="#">MMEMory:SEM:LOAD:TABLE</a>	Loads the SEM table from the specified file.
<a href="#">MMEMory:SEM:STORE:TABLE</a>	Stores the SEM table in the specified file.



Table 2-19: Mass memory (MMEMory) commands (cont.)

Header	Description
<b>MMEMory:SGRam subgroup</b>	<b>Spurious measurement</b>
MMEMory:SGRam:LOAD:TRACe	Loads the trace data from a specified file.
MMEMory:SGRam:SHOW:TRACe	Enables display of a recalled trace file.
MMEMory:SGRam:STORe:TRACe	Stores the Spectrogram trace data in the specified file.
<b>MMEMory:SPECTrum subgroup</b>	<b>Spectrum measurement</b>
MMEMory:SPECTrum:LOAD:TRACe	Loads the trace data from a specified file.
MMEMory:SPECTrum:SHOW:TRACe<x>	Enables display of a recalled trace file.
MMEMory:SPECTrum:STORe:TRACe<x>	Stores the spectrum trace data in the specified file.
<b>MMEMory:SPURious subgroup</b>	<b>Spurious measurement</b>
MMEMory:SPURious:LOAD:TABLE	Loads the spurious table from the specified file.
MMEMory:SPURious:STORe:TABLE	Stores the spurious table in the specified file.
<b>MMEMory:STORe subgroup</b>	<b>Store commands</b>
MMEMory:STORe:IQ	Saves time-domain IQ waveform in the acquisition memory to a specified file.
MMEMory:STORe:IQ:CSV	Saves time-domain IQ waveform in the acquisition memory to a specified file in the CSV (Comma Separated Values) format.
MMEMory:STORe:IQ:MAT	Saves time-domain IQ waveform in the acquisition memory to a specified file in the MATLAB format.
MMEMory:STORe:IQ:SELEct:DATA	Sets or queries the type of data stored in an acquisition data file.
MMEMory:STORe:IQ:SELEct:FRAMES	Sets or queries which frames to save when saving TIQ acquisition data files.
MMEMory:STORe:IQ:SELEct:LENGth	Sets or queries what portion of each record is saved when saving acquisition data.
MMEMory:STORe:MSTate	Stores the measurement parameters in a specified file.
MMEMory:STORe:RESults	Stores the measurement results including measurement parameters and trace data to a specified file.
MMEMory:STORe:SCReen	Stores the measurement results in a specified file.
MMEMory:STORe:STATe	Stores the instrument setup in a specified file.
MMEMory:STORe:TRACe	Stores trace data in a specified file.
<b>MMEMory:TOVerview subgroup</b>	<b>Spurious measurement</b>
MMEMory:TOVerview:LOAD:TRACe1	Loads the trace data from a specified file.
MMEMory:TOVerview:SHOW:TRACe1	Enables display of a recalled trace file.
MMEMory:TOVerview:STORe:TRACe1	Stores the selected trace data into the specified file.

## Specifying the File

For loading and storing a file, specify the file following these rules

- You can omit the file extension to load and store data. The measurement-specific extension is automatically added.
- You can use the absolute path to specify the file name. For example, specify the *SAMPLE1* file in the *My Documents* folder on the C drive as "C:\My Documents\SAMPLE1".
- If you omit the directory path, the default path is used, which is *C:\Program Files\Tektronix\RSA6100A* initially.

Once a file is saved to a different directory, the new directory will be used as the default for all load and store operations.

# Output Commands

Use the OUTPut commands to control the characteristics of the signal output.

Table 2-20: Output commands

Header		Description
OUTPut:IF:{BANDwidth BWIDTH}	(Option 05 only)	Sets or queries the IF output filter.
OUTPut:IF[:STATe]	(Option 05 only)	Sets or queries whether to turn on or off IF output.
OUTPut:IQ:SOURce	(Option 05 only)	Sets or queries the format of the IQ output.
OUTPut:IQ[:STATe]	(Option 05 only)	Sets or queries whether to turn on or off IQ output.
OUTPut:NOISe[:STATe]		Sets or queries whether to turn on or off 28 V DC power.

## Read Commands

The READ commands acquire an input signal once in the single mode and obtain the measurement results from that data.

To fetch the measurement results from the data currently residing in the memory without acquiring the input signal, use the FETCh commands.

Table 2-21: Read commands

Header	Description
<b>READ:ACPower subgroup</b>	<b>Channel power and ACPR measurement</b>
READ:ACPower?	Returns the ACPR measurement results.
READ:ACPower:CHANnel:POWer?	Returns the average power of the main channel.
READ:ACPower:SPECTrum?	Returns spectrum trace data of the ACPR measurement.
<b>READ:{AM FM PM} subgroup (Option 21 only)</b>	<b>AM/FM/PM measurement</b>
READ:{AM FM PM}?	Returns the trace data.
READ:AM:AMINdex?	Returns the modulation index .
READ:AM:AMNegative?	Returns the negative peak modulation factor (-AM).
READ:AM:AMPositive?	Returns the positive peak modulation factor (+AM).
READ:AM:RESult?	Returns the AM measurement results.
FETCh:AM:AMINdex?	Returns the RMS modulation factor.
READ:FM:PHALf?	Returns the half peak-peak frequency deviation (Pk-Pk/2).
READ:{FM PM}:FERRor?	Returns the frequency error in the Frequency modulation and Phase modulation measurements.
READ:FM:PNEGative?	Returns the negative peak frequency deviation (-Pk).
READ:FM:PPOSitive?	Returns the positive peak frequency deviation (+Pk).
READ:FM:PTPeak?	Returns the peak-peak frequency deviation (Pk-Pk).
READ:FM:RESult?	Returns the FM measurement results.
READ:FM:RMS?	Returns the RMS frequency deviation.
READ:PM:PNEGative?	Returns the negative peak phase deviation (-Pk).
READ:PM:PPOSitive?	Returns the positive peak phase deviation (+Pk).
READ:PM:PTPeak?	Returns the peak-peak phase deviation (Pk-Pk).
READ:PM:RESult?	Returns the PM measurement results.
READ:PM:RMS?	Returns the RMS phase deviation.
<b>READ:AUDio subgroup</b>	<b>Audio measurement</b>
READ:AUDio:FERRor?	Returns the carrier frequency error in the audio measurement.
READ:AUDio:FREQuency?	Returns the audio frequency.
READ:AUDio:HARMonic:COUNT?	Returns the number of harmonics in the audio spectrum measurement.
READ:AUDio:HARMonic<x>:AMPLitude?	Returns the amplitude of the specified harmonic in the audio spectrum measurement.

Table 2-21: Read commands (cont.)

Header	Description
READ:AUDio:HARMonic<x>:FREQUency?	Returns the frequency of the specified harmonic in the audio spectrum measurement.
READ:AUDio:HNOise?	Returns the difference between the current RMS modulation value and the reference value.
READ:AUDio:HNREFerence?	Returns the Hum and Noise RMS modulation reference value.
READ:AUDio:HPTPeak?	Returns the half peak-to-peak modulation excursion.
READ:AUDio:MODDist?	Returns the modulation distortion for the audio measurement.
READ:AUDio:NHARmonic:COUNT?	Returns the number of non-harmonics in the audio spectrum measurement.
READ:AUDio:NHARmonic<x>:AMPLitude?	Returns the amplitude of the specified non-harmonic in the audio spectrum measurement.
READ:AUDio:NHARmonic<x>:FREQUency?	Returns the frequency of the specified non-harmonic in the audio spectrum measurement.
READ:AUDio:PNEGative?	Returns the minus peak modulation excursion.
READ:AUDio:POWer?	Returns the carrier power or signal power depending the signal type.
READ:AUDio:PPOSitive?	Returns the positive peak modulation excursion.
READ:AUDio:RMS?	Returns the RMS modulation excursion for the audio measurement.
READ:AUDio:SINad?	Returns the signal-to-noise and distortion for the audio measurement.
READ:AUDio:SNOise?	Returns the signal level to noise level with the harmonic distortion and non-harmonic distortion components removed.
READ:AUDio:SPECTrum:TRACe<x>?	Returns the audio spectrum trace data for the audio measurement.
READ:AUDio:THDist:DB?	Returns the total harmonic distortion in dB in the audio measurement.
READ:AUDio:THDist?	Returns the percentage of the total harmonic distortion in the audio measurement.
READ:AUDio:TNHDist:DB?	Returns the total non-harmonic distortion in dB in the audio measurement.
READ:AUDio:TNHDist?	Returns the percentage of the total non-harmonic distortion in the audio measurement.
<b>READ:AVTime subgroup</b>	<b>Amplitude versus Time measurement</b>
READ:AVTime:AVERage?	Returns the RMS value.
READ:AVTime:{FIRST SECOnd THIRd FOURth}?	Returns the trace data.
READ:AVTime:MAXimum?	Returns the maximum value.
READ:AVTime:MAXLocation?	Returns the time at the maximum.
READ:AVTime:MINimum?	Returns the minimum value.
READ:AVTime:MINLocation?	Returns the time at the minimum.
READ:AVTime:RESult?	Returns the measurement results.
<b>READ:CCDF subgroup</b>	<b>CCDF measurement</b>
READ:CCDF?	Returns the CCDF measurement results.
READ:CCDF:{FIRST SECOnd THIRd};X?	Returns the horizontal values of the specified trace.
READ:CCDF:{FIRST SECOnd THIRd};XY?	Returns the horizontal and vertical value pairs of the specified trace.

Table 2-21: Read commands (cont.)

Header	Description
<a href="#">READ:CCDF:{FIRST SECond THIRd}[:Y]?</a>	Returns the vertical values of the specified trace.
<b>READ:CONSte subgroup (Option 21 only)</b>	<b>Constellation measurement</b>
<a href="#">READ:CONSte:FERRor?</a>	LAST Returns the frequency error.
<a href="#">READ:CONSte:RESults?</a>	Returns the constellation measurement results.
<a href="#">READ:CONSte:TRACe?</a>	Returns the constellation trace data.
<b>READ:DDEMod subgroup (Option 21 only)</b>	<b>General purpose digital modulation measurements</b>
<a href="#">READ:DDEMod:STABle?</a>	Returns the symbol table data.
<b>READ:DIQVtime subgroup (Option 21 only)</b>	<b>Demodulated I&amp;Q versus Time measurement</b>
<a href="#">READ:DIQVtime:FERRor?</a>	Returns the frequency error.
<a href="#">READ:DIQVtime:I?</a>	Returns the I versus Time trace data.
<a href="#">READ:DIQVtime:Q?</a>	Returns the Q versus Time trace data.
<b>READ:DPX subgroup</b>	<b>DPX Spectrum measurement</b>
<a href="#">READ:DPX:DGRam:LINE:COUNt?</a>	Returns the number of lines in the DPXogram measurement.
<a href="#">READ:DPX:DGRam:TIME[:SCALE]:OFFSet?</a>	Returns the time scale offset in the DPXogram measurement.
<a href="#">READ:DPX:RESults:TRACe&lt;x&gt;?</a>	Returns waveform data of specified trace.
<a href="#">READ:DPX:TRACe:AVERAge?</a>	Returns waveform data of the average trace.
<a href="#">READ:DPX:TRACe:BITMap?</a>	Returns trace waveform data of the bitmap trace.
<a href="#">READ:DPX:TRACe:MATH?</a>	Returns waveform data of the math trace.
<a href="#">READ:DPX:TRACe:MAXimum?</a>	Returns waveform data of the maximum trace.
<a href="#">READ:DPX:TRACe:MINimum?</a>	Returns waveform data of the minimum trace.
<b>READ:EDIagram subgroup (Option 21 only)</b>	<b>Eye diagram</b>
<a href="#">READ:EDIagram:FDEVIation?</a>	Returns the frequency deviation versus Time trace data.
<a href="#">READ:EDIagram:FERRor?</a>	Returns the frequency error.
<a href="#">READ:EDIagram:I?</a>	Returns the I versus Time trace data.
<a href="#">READ:EDIagram:Q?</a>	Returns the Q versus Time trace data.
<b>READ:EVM subgroup (Option 21 only)</b>	<b>EVM versus Time measurement</b>
<a href="#">READ:EVM:FERRor?</a>	Returns the frequency error.
<a href="#">READ:EVM:PEAK?</a>	Returns the peak value.
<a href="#">READ:EVM:PINDEX?</a>	Returns the time at the EVM peak.
<a href="#">READ:EVM:RMS?</a>	Returns the RMS value.
<a href="#">READ:EVM:TRACe?</a>	Returns the EVM versus Time trace data.
<b>READ:FDVTime subgroup (Option 21 only)</b>	<b>Frequency deviation versus Time measurement</b>
<a href="#">READ:FDVTime:FERRor?</a>	Returns the frequency error.
<a href="#">READ:FDVTime:TRACe?</a>	Returns the Frequency deviation versus Time trace data.
<b>READ:{FSETtling PSETtling} subgroup</b>	<b>Frequency and Phase Settling Time measurements</b>
<a href="#">READ:FSETtling:ERRor?</a>	Returns the settled error in Hz in Frequency Settling.
<a href="#">READ:{FSETtling PSETtling}:FTTime?</a>	Returns the settling time from the trigger position in seconds.

Table 2-21: Read commands (cont.)

Header	Description
READ:{FSETtling PSETtling}:MASK[:PASS]?	Returns whether the input signal passes the mask test.
READ:{FSETtling PSETtling}:SETTled:FREQuency?	Returns the frequency at which the signal is considered settled.
READ:{FSETtling PSETtling}:SETTled[:PASS]?	Returns whether the input signal is settled with the tolerance range.
READ:{FSETtling PSETtling}:SETTled:TIME?	Returns the settled time in seconds.
READ:{FSETtling PSETtling}:SLMSd[:PASS]?	Returns whether the input signal is settled within the specified tolerance and the signal is settled longer than the Minimum Settled Duration.
READ:{FSETtling PSETtling}:START:TIME?	Returns the start time for the measurement in seconds.
READ:{FSETtling PSETtling}:TIME?	Returns the settling time in seconds.
READ:{FSETtling PSETtling}:TRACe<x>:X?	Returns the Frequency or Phase values of the specified trace.
READ:{FSETtling PSETtling}:TRACe<x>:XY?	Returns the time and frequency or phase value pairs of the specified trace.
READ:{FSETtling PSETtling}:TRACe<x>[:Y]?	Returns the frequency or phase values of the specified trace.
READ:{FSETtling PSETtling}:TRIGger:TIME?	Returns the time when the trigger occurred in seconds.
READ:{FSETtling PSETtling}:VALue?	Returns the settled value in Hz for Frequency Settling and in degrees for Phase Settling.
<b>READ:FVTime subgroup</b>	<b>Frequency versus Time measurement</b>
READ:FVTime?	Returns the Frequency versus Time trace data.
READ:FVTime:MAXimum?	Returns the maximum value.
READ:FVTime:MAXLocation?	Returns the time at which the frequency drift is maximum.
READ:FVTime:MINimum?	Returns the minimum value.
READ:FVTime:MINLocation?	Returns the time at which the frequency drift is minimum.
READ:FVTime:RESult?	Returns the measurement results.
<b>READ:IQVTime subgroup</b>	<b>RF I&amp;Q versus Time measurement</b>
READ:IQVTime:I?	Returns the I versus Time trace data.
READ:IQVTime:MAXimum?	Returns the maximum value.
READ:IQVTime:MAXLocation?	Returns the time at which the I or Q level is maximum.
READ:IQVTime:MINimum?	Returns the minimum value.
READ:IQVTime:MINLocation?	Returns the time at which the I or Q level is minimum.
READ:IQVTime:Q?	Returns the Q versus Time trace data.
READ:IQVTime:RESult?	Returns the measurement results.
<b>READ:MCPower subgroup</b>	<b>MCPR measurement</b>
READ:MCPower:ADJacent:CHANnels?	Returns the power of adjacent channels.
READ:MCPower:CHANnel:POWER?	Returns the reference power.
READ:MCPower:MAIN:CHANnels?	Returns the power of main channels.
READ:MCPower:SPECTrum?	Returns spectrum trace data.
<b>READ:MERRor subgroup (Option 21 only)</b>	<b>Magnitude Error versus Time measurement</b>
READ:MERRor:FERRor?	Returns the frequency error.
READ:MERRor:PEAK?	Returns the peak value.

Table 2-21: Read commands (cont.)

Header	Description
READ:MERRor:PINDex?	Returns the time at the magnitude error peak.
READ:MERRor:RMS?	Returns the RMS value.
READ:MERRor:TRACe?	Returns the Magnitude error versus Time trace data.
<b>READ:OBWidth subgroup</b>	<b>Occupied Bandwidth measurement</b>
READ:OBWidth:FREQuency:ERRor?	Returns the frequency error.
READ:OBWidth:OBWidth:BANDwidth?	Returns the occupied bandwidth.
READ:OBWidth:OBWidth:LEFT:FREQuency?	Returns the left (lower) frequency of the occupied bandwidth.
READ:OBWidth:OBWidth:LEFT:LEVel?	Returns the level at the left frequency of the occupied bandwidth.
READ:OBWidth:OBWidth:POWer?	Returns the reference power in the Occupied Bandwidth measurement.
READ:OBWidth:OBWidth:RIGHT:FREQuency?	Returns the right (higher) frequency of the occupied bandwidth.
READ:OBWidth:OBWidth:RIGHT:LEVel?	Returns the level at the right frequency of the occupied bandwidth.
READ:OBWidth:SPECTrum?	Returns spectrum trace data of the Occupied Bandwidth measurement.
READ:OBWidth:XDBBandwidth:BANDwidth?	Returns the x dB bandwidth.
READ:OBWidth:XDBBandwidth:LEFT:FREQuency?	Returns the left (lower) frequency of the x dB bandwidth.
READ:OBWidth:XDBBandwidth:LEFT:LEVel?	Returns the level at the left frequency of the x dB bandwidth.
READ:OBWidth:XDBBandwidth:POWer?	Returns the reference power in the x dB bandwidth measurement.
READ:OBWidth:XDBBandwidth:RIGHT:FREQuency?	Returns the right (higher) frequency of the x dB bandwidth.
READ:OBWidth:XDBBandwidth:RIGHT:LEVel?	Returns the level at the right frequency of the x dB bandwidth.
<b>READ:OFDM subgroup</b>	<b>Orthogonal Frequency Division Multiplexing measurement</b>
READ:OFDM:APOWer?	Returns the average power.
READ:OFDM:APOWer:PEAK?	Returns the peak-to-average power.
READ:OFDM:CONSte:MAGNitude?	Returns the constellation magnitude data.
READ:OFDM:CONSte:PHASe?	Returns the constellation phase data.
READ:OFDM:CONSte:TYPE?	Returns the constellation context value
READ:OFDM:CONSte:VALue?	Returns the constellation value.
READ:OFDM:CPE?	Returns the Common Pilot Error magnitude.
READ:OFDM:CRESpone:MAGNitude?	Returns the channel response magnitude data.
READ:OFDM:CRESpone:PHASe?	Returns the channel response phase data.
READ:OFDM:EVM:PEAK:DECibel:ALL?	Returns the peak EVM data for all subcarriers.
READ:OFDM:EVM:PEAK:DECibel:DATA?	Returns the peak EVM data for the data subcarriers.
READ:OFDM:EVM:PEAK:DECibel:PILots?	Returns the peak EVM data for the pilot subcarriers.
READ:OFDM:EVM:PEAK:PERCent:ALL?	Returns the peak EVM data for all subcarriers.
READ:OFDM:EVM:PEAK:PERCent:DATA?	Returns the peak EVM data for the data subcarriers.
READ:OFDM:EVM:PEAK:PERCent:PILots?	Returns the peak EVM data for the pilot subcarriers.
READ:OFDM:EVM:PEAK:SCARrier:ALL?	Returns the peak EVM data for all subcarriers.
READ:OFDM:EVM:PEAK:SCARrier:DATA?	Returns the peak EVM data for the data subcarriers.
READ:OFDM:EVM:PEAK:SCARrier:PILots?	Returns the peak EVM data for the pilot subcarriers.



Table 2-21: Read commands (cont.)

Header	Description
READ:OFDM:EVM:PEAK:SYMBOL:ALL?	Returns the peak EVM data for all subcarriers.
READ:OFDM:EVM:PEAK:SYMBOL:DATA?	Returns the peak EVM data for the data subcarriers.
READ:OFDM:EVM:PEAK:SYMBOL:PILots?	Returns the peak EVM data for the pilot subcarriers.
READ:OFDM:EVM:RMS:DECibel:ALL?	Returns the RMS EVM data for all subcarriers.
READ:OFDM:EVM:RMS:DECibel:DATA?	Returns the RMS EVM data for the data subcarriers.
READ:OFDM:EVM:RMS:DECibel:PILots?	Returns the RMS EVM data for the pilot subcarriers.
READ:OFDM:EVM:RMS:PERCent:ALL?	Returns the peak RMS data for all subcarriers.
READ:OFDM:EVM:RMS:PERCent:DATA?	Returns the peak RMS data for the data subcarriers.
READ:OFDM:EVM:RMS:PERCent:PILots?	Returns the peak RMS data for the pilot subcarriers.
READ:OFDM:EVM:TRACe(x)?	Returns the EVM trace data.
READ:OFDM:FERRor?	Returns the Frequency error reading.
READ:OFDM:GAIN:IMBalance?	Returns the gain imbalance.
READ:OFDM:IQ:ORIGin:OFFSet?	Returns the IQ origin offset.
READ:OFDM:MERRor:TRACe(x)?	Returns the magnitude error trace data.
READ:OFDM:PACKet:DIRection?	Returns the direction of the packet.
READ:OFDM:PERRor:TRACe(x)?	Returns the phase error trace data.
READ:OFDM:POWer:TRACe(x)?	Returns the power trace data.
READ:OFDM:QUADrature:OFFSet?	Returns the quadrature offset.
READ:OFDM:SCARriers?	Returns the number of subcarriers.
READ:OFDM:SCARriers:SPACing?	Returns the subcarrier spacing.
READ:OFDM:STABLE:VALUe?	Returns the number of bytes in the symbol table.
READ:OFDM:SYMBOL:CERRor?	Returns the symbol clock error.
READ:OFDM:SYMBOL:COUNt?	Returns the number of symbols.
<b>READ:PERRor subgroup (Option 21 only)</b>	<b>Phase error versus Time measurement</b>
READ:PERRor:FERRor?	Returns the frequency error.
READ:PERRor:PEAK?	Returns the peak value.
READ:PERRor:PINDEX?	Returns the time at the phase error peak.
READ:PERRor:RMS	Returns the RMS value.
READ:PERRor:TRACe?	Returns the Phase error versus Time trace data.
<b>READ:PHVTime subgroup</b>	<b>Phase versus Time measurement</b>
READ:PHVTime?	Returns the Phase versus Time trace data.
READ:PHVTime:MAXimum?	Returns the maximum value.
READ:PHVTime:MAXLocation?	Returns the time at which the phase is maximum.
READ:PHVTime:MINimum?	Returns the minimum value.
READ:PHVTime:MINLocation?	Returns the time at which the phase is minimum.
READ:PHVTime:RESult?	Returns the results.

Table 2-21: Read commands (cont.)

Header	Description
<b>READ:PNOise subgroup (Option 11 only)</b>	<b>Phase noise measurements</b>
READ:PNOise:ALL?	Returns all the measurement results.
READ:PNOise:CARRier:FERRor?	Returns the carrier frequency error.
READ:PNOise:CARRier:POWer?	Returns the carrier power.
READ:PNOise:RESidual:FM?	Returns the residual FM.
READ:PNOise:RMS:PNOise?	Returns the RMS phase noise.
READ:PNOise:SPECTrum<x>:X?	Returns the frequencies of the specified trace.
READ:PNOise:SPECTrum<x>:XY?	Returns the frequency and phase noise pairs of the specified trace.
READ:PNOise:SPECTrum<x>[:Y]?	Returns the phase noise values of the specified trace.
READ:PNOise:JITTer?	Returns the jitter.
<b>READ:PULSe subgroup (Option 20 only)</b>	<b>Pulsed RF measurements</b>
READ:PULSe[:RESult]:ATX?	Returns the average transmitted power in the results table.
READ:PULSe[:RESult]:AVERage?	Returns the average on power in the results table.
READ:PULSe[:RESult]:DRODb?	Returns the droop in dB in the pulse table.
READ:PULSe[:RESult]:DROop?	Returns the droop in the pulse table.
READ:PULSe[:RESult]:DUTPct?	Returns the duty factor (%) in the results table.
READ:PULSe[:RESult]:DUTRatio?	Returns the duty factor (ratio) in the results table.
READ:PULSe[:RESult]:FALL?	Returns the fall time in the results table.
READ:PULSe[:RESult]:FRDeviation?	Returns the frequency deviation in the results table.
READ:PULSe[:RESult]:IRAMplitude?	Returns the pulse impulse response amplitude in the pulse table.
READ:PULSe[:RESult]:IRTime?	Returns the impulse response time in the pulse table.
READ:PULSe[:RESult]:MFRreqerror?	Returns the maximum frequency error in the results table.
READ:PULSe[:RESult]:MPHerror?	Returns the maximum phase error in the results table.
READ:PULSe[:RESult]:OVEDb?	Returns the overshoot in dB in the pulse table.
READ:PULSe[:RESult]:OVERshoot?	Returns the overshoot in the pulse table.
READ:PULSe[:RESult]:PHDeviation?	Returns the phase deviation in the results table.
READ:PULSe[:RESult]:PPFRrequency?	Returns the pulse-pulse carrier frequency in the results table.
READ:PULSe[:RESult]:PPOWer?	Returns the peak power in the results table.
READ:PULSe[:RESult]:PPPHase?	Returns the pulse-pulse carrier phase in the results table.
READ:PULSe[:RESult]:RINTerval?	Returns the repetition interval in the results table.
READ:PULSe[:RESult]:RIPDb?	Returns the ripple in dB in the pulse table.
READ:PULSe[:RESult]:RIPPlE?	Returns the ripple in the results table.
READ:PULSe[:RESult]:RISE?	Returns the rise time in the results table.
READ:PULSe[:RESult]:RMSFRreqerror?	Returns the RMS frequency error in the results table.
READ:PULSe[:RESult]:RMSPHerror?	Returns the RMS phase error in the results table.
READ:PULSe[:RESult]:RRATe?	Returns the repetition rate in the results table.
READ:PULSe[:RESult]:TIME?	Returns the time in the results table.

Table 2-21: Read commands (cont.)

Header	Description
READ:PULSe[:RESult]:WIDTh?	Returns the pulse width in the results table.
READ:PULSe:STATistics?	Returns the trace data of the pulse statistics measurement.
READ:PULSe:STATistics:ATX?	Returns the average transmitted power of the statistics.
READ:PULSe:STATistics:AVERAge?	Returns the average on power of the statistics.
READ:PULSe:STATistics:DRODb?	Returns the droop in dB of the statistics.
READ:PULSe:STATistics:DROOp?	Returns the droop of the statistics.
READ:PULSe:STATistics:DUTPct?	Returns the duty factor (%) of the statistics.
READ:PULSe:STATistics:DUTRatio?	Returns the duty factor (ratio) of the statistics.
READ:PULSe:STATistics:FALL?	Returns the fall time of the statistics.
READ:PULSe:STATistics:FRDeviation?	Returns the frequency deviation of the statistics.
READ:PULSe:STATistics:IRAMplitude?	Returns the Pulse Impulse Response amplitude measurement in the pulse statistics.
READ:PULSe:STATistics:IRTime?	Returns the impulse response time in the pulse statistics.
READ:PULSe:STATistics:MFRqerror?	Returns the maximum frequency error of the statistics.
READ:PULSe:STATistics:MPHerror?	Returns the maximum phase error of the statistics.
READ:PULSe:STATistics:OVEDb?	Returns the overshoot measurement result in dB in the pulse statistics
READ:PULSe:STATistics:OVERshoot?	Returns the overshoot measurement result in the pulse statistics
READ:PULSe:STATistics:PHDeviation?	Returns the phase deviation of the statistics.
READ:PULSe:STATistics:PPFRrequency?	Returns the pulse-pulse carrier frequency of the statistics.
READ:PULSe:STATistics:PPOWer?	Returns the peak power of the statistics.
READ:PULSe:STATistics:PPPHase?	Returns the pulse-pulse carrier phase of the statistics.
READ:PULSe:STATistics:RINTerval?	Returns the repetition interval of the statistics.
READ:PULSe:STATistics:RIPDb?	Returns the ripple in dB of the statistics
READ:PULSe:STATistics:RIPple?	Returns the ripple of the statistics.
READ:PULSe:STATistics:RISE?	Returns the rise time of the statistics.
READ:PULSe:STATistics:RMSFRqerror?	Returns the RMS frequency error of the statistics.
READ:PULSe:STATistics:RMSPHerror?	Returns the RMS phase error of the statistics.
READ:PULSe:STATistics:RRATe?	Returns the repetition rate of the statistics.
READ:PULSe:STATistics:WIDTh?	Returns the pulse width of the statistics.
READ:PULSe:STATistics:X?	Returns the horizontal values of the trace data of the pulse statistics measurement.
READ:PULSe:STATistics:XY?	Returns the horizontal and vertical values of the trace data of the pulse statistics measurement.
READ:PULSe:STATistics[:Y]?	Returns the vertical values of the trace data of the pulse statistics measurement.
READ:PULSe:TRACe:X?	Returns the time values of the pulse trace.
READ:PULSe:TRACe:XY?	Returns the horizontal (time) and vertical value pairs of the pulse trace.
READ:PULSe:TRACe[:Y]?	Returns the vertical values of the pulse trace.

Table 2-21: Read commands (cont.)

Header	Description
<b>READ:SEM subgroup</b>	<b>Spectral Emissions Mask measurement</b>
READ:SEM:MHITs:COUNT?	Returns the number of rows in the results table.
READ:SEM:MHITs<x>:AMPLitude:ABSolute?	Returns the absolute amplitude of the specified mask hit signal.
READ:SEM:MHITs<x>:AMPLitude:RELative?	Returns the relative amplitude of the specified mask hit signal.
READ:SEM:MHITs<x>:FREQUency?	Returns the frequency of the specified mask hit signal.
READ:SEM:MHITs<x>:INTeg:ABSolute?	Returns the absolute integration amplitude of the specified mask hit signal.
READ:SEM:MHITs<x>:INTeg:RELative?	Returns the relative integration amplitude of the specified mask hit signal.
READ:SEM:MHITs<x>:MARGin:ABSolute?	Returns the absolute margin for the specified mask hit signal.
READ:SEM:MHITs<x>:MARGin:RELative?	Returns the relative margin for the specified mask hit signal.
READ:SEM:MHITs<x>:OFFSet?	Returns the offset for the specified mask hit signal.
READ:SEM:PASS?	Returns the pass/fail limit test result.
READ:SEM:REF:POWer?	Returns the reference power level.
READ:SEM:SPECTrum:X?	Returns the frequencies of the spectrum trace.
READ:SEM:SPECTrum:XY?	Returns the frequency and amplitude pairs of the spectrum trace.
READ:SEM:SPECTrum[:Y]?	Returns the amplitude of the spectrum trace.
<b>READ:SGRam subgroup</b>	<b>Spectrogram measurement</b>
READ:SGRam?	Returns the spectrogram trace data.
<b>READ:SPECTrum subgroup</b>	<b>Spectrum measurement</b>
READ:SPECTrum:TRACe<x>?	Returns the trace data in the Spectrum Analyzer measurement.
<b>READ:SPURious subgroup</b>	<b>Spurious measurement</b>
READ:SPURious:CARRier:POWer?	Returns the carrier power.
READ:SPURious:COUNT?	Returns the number of spurious signals.
READ:SPURious:PASS?	Returns the pass/fail limit test result.
READ:SPURious:SPECTrum:X?	Returns the frequencies of the spectrum trace.
READ:SPURious:SPECTrum:XY?	Returns the frequency and amplitude pairs of the spectrum trace.
READ:SPURious:SPECTrum[:Y]?	Returns the amplitudes of the spectrum trace.
READ:SPURious:SPUR<x>:AMPLitude:ABSolute?	Returns the absolute amplitude of the specified spurious signal.
READ:SPURious:SPUR<x>:AMPLitude:RELative?	Returns the relative amplitude of the specified spurious signal.
READ:SPURious:SPUR<x>:FREQUency:ABSolute?	Returns the absolute frequency of the specified spurious signal.
READ:SPURious:SPUR<x>:FREQUency:RELative?	Returns the relative frequency of the specified spurious signal.
READ:SPURious:SPUR<x>:LIMit:ABSolute?	Returns the absolute amplitude of the limit for a spurious signal.
READ:SPURious:SPUR<x>:LIMit:RELative?	Returns the relative amplitude of the limit for a spurious signal.
READ:SPURious:SPUR<x>:LIMit:VIOLation?	Returns whether the specified spurious signal exceeds the limit or not.
READ:SPURious:SPUR<x>:RANGe?	Returns the frequency range in which the spurious signal occurred.
<b>READ:SQUality subgroup (Option 21 only)</b>	<b>Signal quality measurement</b>
READ:SQUality:FREQUency:DEViation?	Returns the frequency deviation.
READ:SQUality:FREQUency:DEViation:TABLE?	Returns the frequency deviation measurement results table.

Table 2-21: Read commands (cont.)

Header	Description
READ:SQuality:FREQUENCY:ERRor?	Returns the frequency error.
READ:SQuality:GAIN:IMBalance?	Returns the gain imbalance.
READ:SQuality:ORIGin:OFFSet?	Returns the origin offset.
READ:SQuality:PEAK:EVM?	Returns the peak EVM (%).
READ:SQuality:PEAK:EVM:DB?	Returns the peak EVM (dB).
READ:SQuality:PEAK:EVM:DB:OFFSet?	Returns the peak offset EVM (dB).
READ:SQuality:PEAK:EVM:LOCation?	Returns the time at which the EVM is peak.
READ:SQuality:PEAK:EVM:LOCation:OFFSet?	Returns the time at which the offset EVM is peak.
READ:SQuality:PEAK:EVM:OFFSet?	Returns the peak offset EVM (%).
READ:SQuality:PEAK:FERRor?	Returns the peak FSK error.
READ:SQuality:PEAK:MERRor?	Returns the peak magnitude error (%).
READ:SQuality:PEAK:MERRor:DB?	Returns the peak magnitude error (dB).
READ:SQuality:PEAK:MERRor:LOCation?	Returns the time at which the magnitude error is peak.
READ:SQuality:PEAK:PERRor?	Returns the peak phase error.
READ:SQuality:PEAK:PERRor:LOCation?	Returns the time at which the phase error is peak.
READ:SQuality:QUADrature:ERRor?	Returns the quadrature error.
READ:SQuality:RHO?	Returns the r (waveform quality).
READ:SQuality:RMS:EVM?	Returns the RMS EVM (%).
READ:SQuality:RMS:EVM:DB?	Returns the RMS EVM (dB).
READ:SQuality:RMS:EVM:DB:OFFSet?	Returns the RMS offset EVM (dB).
READ:SQuality:RMS:EVM:OFFSet?	Returns the RMS offset EVM (dB).
READ:SQuality:RMS:FERRor?	Returns the RMS FSK error.
READ:SQuality:RMS:MERRor:DB?	Returns the RMS MER (dB).
READ:SQuality:RMS:MERRor?	Returns the RMS magnitude error (%).
READ:SQuality:RMS:MERRor:DB?	Returns the RMS magnitude error (dB).
READ:SQuality:RMS:PERRor?	Returns the RMS phase error.
READ:SQuality:SYMBOL:LENGth?	Returns the number of analyzed symbols.
READ:SQuality:SYMBOL:RATE?	Returns the calculated symbol rate.
READ:SQuality:SYMBOL:RATE:ERRor?	LAST Returns the value of the symbol rate error.
<b>READ:TDIagram subgroup (Option 21 only)</b>	<b>Trellis diagram</b>
READ:TDIagram:FERRor?	Returns the frequency error.
READ:TDIagram:TRACe?	Returns the Trellis diagram trace data.
<b>READ:TOVerview subgroup</b>	<b>Time overview</b>
READ:TOVerview?	Returns the trace data.

# Sense Commands

Use the SENSE commands to set up detailed measurement conditions.

Table 2-22: Sense commands

Header	Description
<b>[SENSE] basic command subgroup</b>	<b>General analysis parameter control</b>
[SENSE]:ACQuisition:{BANDwidth BWIDTH}	Sets or queries the acquisition bandwidth.
[SENSE]:ACQuisition:FFRame:ACTual?	Queries the actual number of Fast Frames.
[SENSE]:ACQuisition:FFRame:LIMit	Sets or queries the limit number of Fast Frames.
[SENSE]:ACQuisition:FFRame:STATe	Determines whether to enable or disable the Fast Frame.
[SENSE]:ACQuisition:FSAVe:ENABle	Set or queries the FastSave acquisition mode.
[SENSE]:ACQuisition:FSAVe:FILEs:MAXimum	Set or queries the FastSave maximum number of files saved per run.
[SENSE]:ACQuisition:FSAVe:FORMat	Set or queries the FastSave file format.
[SENSE]:ACQuisition:FSAVe:LOCation	Set or queries the FastSave file save location (a directory).
[SENSE]:ACQuisition:FSAVe:NAME:BASE	Set or queries the FastSave Base file name.
[SENSE]:ACQuisition:MEMory:AVAILable:SAMPles?	Returns the amount of acquisition memory available in the instrument.
[SENSE]:ACQuisition:MEMory:CAPacity[:TIME]?	Returns the acquisition memory capacity.
[SENSE]:ACQuisition:MEMory:USED[:PERCent]?	Returns the percentage of the capacity used.
[SENSE]:ACQuisition:MODE	Sets or queries the acquisition mode.
[SENSE]:ACQuisition:OPTimization	Sets or queries the method of the global gain and input bandwidth optimization.
[SENSE]:ACQuisition:SAMPles	Sets or queries the acquisition samples.
[SENSE]:ACQuisition:SEConds	Sets or queries the acquisition length.
[SENSE]:ANALysis:ADVanced:DITHer	Determines whether to enable or disable dithering.
[SENSE]:ANALysis:LENGth	Sets or queries the analysis length.
[SENSE]:ANALysis:LENGth:ACTual?	Queries the actual analysis length.
[SENSE]:ANALysis:LENGth:AUTO	Sets or queries whether to set the analysis length automatically.
[SENSE]:ANALysis:REFerence	Sets or queries the analysis time reference.
[SENSE]:ANALysis:START	Sets or queries the analysis offset time.
[SENSE]:ANALysis:START:AUTO	Sets or queries whether to set the analysis offset automatically.
[SENSE]:ANSpectrum:START:AUTO:METHod	Sets or queries the method used for computing auto analysis and spectrum offsets.
[SENSE]:MEASurement:FREQuency	Sets or queries the measurement frequency.
[SENSE]:MEASurement:FREQuency:CENTer:LOCK	Sets or queries locking the measurement center frequency.
[SENSE]:POWER:UNITs	Sets or queries the unit of power.
[SENSE]:ROSCillator:SOURce	Sets or queries the reference oscillator source.
[SENSE]:SIGNalpath:PRiority	Sets or queries the signal path priority for the measurements (for RSA5000 series only).
[SENSE]:USETtings	Updates the analyzer settings.

Table 2-22: Sense commands (cont.)

Header	Description
<b>[SENSe]:ACPower subgroup</b>	<b>Channel power and ACPR measurement</b>
[SENSe]:ACPower:AVERage	Sets or queries how to average waveform.
[SENSe]:ACPower:AVERage:COUNT	Sets or queries the number of traces for averaging.
[SENSe]:ACPower:{BANDwidth BWIDth}:RESolution	Sets or queries the resolution bandwidth (RBW).
[SENSe]:ACPower:{BANDwidth BWIDth}:RESolution:ACTual?	Queries the actual resolution bandwidth (RBW).
[SENSe]:ACPower:{BANDwidth BWIDth}:RESolution:AUTO	Sets or queries whether to set the RBW automatically.
[SENSe]:ACPower:{BANDwidth BWIDth}:VIDeo	Sets or queries the video bandwidth (VBW).
[SENSe]:ACPower:{BANDwidth BWIDth}:VIDeo:STATe	Sets or queries whether to enable the video bandwidth (VBW).
[SENSe]:ACPower:CHANnel:{BANDwidth BWIDth}	Sets or queries the channel bandwidth.
[SENSe]:ACPower:CHANnel:FILTer	Sets or queries the adjacent channel filter.
[SENSe]:ACPower:CHANnel:PAIRs	Sets or queries the number of adjacent channel pairs.
[SENSe]:ACPower:CHANnel:SPACing	Sets or queries the channel-to-channel spacing.
[SENSe]:ACPower:CHIPrate	Sets or queries the chip rate.
[SENSe]:ACPower:CLEar:RESults	Restarts the average trace.
[SENSe]:ACPower:FREQUency	Sets or queries the center frequency.
[SENSe]:ACPower:FREQUency:STEP	Sets or queries the frequency step size.
[SENSe]:ACPower:FREQUency:STEP:AUTO	Sets or queries whether to set the frequency step size automatically.
[SENSe]:ACPower:NFLoor:STATe	Sets or queries whether to enable the correction for noise floor.
[SENSe]:ACPower:POINts:COUNT	Sets or queries the number of trace points.
[SENSe]:ACPower:RRCRolloff	Sets or queries the filter parameter for the Root Raised Cosine filter.
<b>[SENSe]:{AM FM PM} subgroup (Option 21 only)</b>	<b>AM/FM/PM measurement</b>
[SENSe]:{AM FM PM}:{BANDwidth BWIDth}:MEASurement	Sets measurement bandwidth for the AM, FM, or PM demodulation to analyze.
[SENSe]:{AM FM PM}:CLEar:RESults	Clears measurement results.
[SENSe]:{AM FM PM}:{MTPoints MAXTracepoints}	Sets or queries the maximum trace points.
[SENSe]:AM:DETECT:AMPLitude	Sets or queries the carrier amplitude detection method.
[SENSe]:{FM PM}:BURSt:THReshold	Sets or queries the threshold level to detect bursts.
[SENSe]:{FM PM}:FREQUency:OFFSet	Sets or queries the carrier frequency offset in the FM/PM measurement.
[SENSe]:{FM PM}:FREQUency:OFFSet:MARKer	Sets the frequency offset from selected marker or delta marker location.
[SENSe]:{FM PM}:FREQUency:SEARch:AUTO	Sets or queries whether to detect the carrier frequency automatically.
[SENSe]:PM:PHASe:OFFSet	Sets the phase offset from the selected marker location.
[SENSe]:PM:PHASe:OFFSet:MARKer	Sets the carrier frequency offset from the selected marker.
[SENSe]:PM:PHASe:SEARch:AUTO	Sets or queries whether to detect the phase automatically or manually.
<b>{SENSe}:AUDio subgroup</b>	<b>Audio measurement</b>
[SENSe]:AUDio:AVERage:COUNT	Sets or queries the number of harmonics to average in the audio measurement.

Table 2-22: Sense commands (cont.)

Header	Description
[SENSe]:AUDio:AVERage:ENABLE	Enables or disables averaging of harmonics in the audio measurement.
[SENSe]:AUDio:BANDwidth BWIDth	Sets or queries the audio measurement bandwidth.
[SENSe]:AUDio:BANDwidth BWIDth:RESolution: AUTO	Sets or queries the resolution bandwidth for the audio measurement.
[SENSe]:AUDio:BANDwidth BWIDth:RESolution: SHAPE	Sets or queries the shape of the resolution bandwidth for the audio measurement.
[SENSe]:AUDio:CARRier:OFFSet	Sets or queries the carrier frequency offset.
[SENSe]:AUDio:CARRier:OFFSet:AUTO	Determines whether to set the carrier frequency error automatically or manually.
[SENSe]:AUDio:FILTer:DEEMphasis	Sets or queries the de-emphasis filter type.
[SENSe]:AUDio:FILTer:DEEMphasis:ENABLE	Enables or disables the de-emphasis filter for the audio measurement.
[SENSe]:AUDio:FILTer:DEEMphasis:USER	Sets or queries a user-defined de-emphasis audio filter.
[SENSe]:AUDio:FILTer:HPF	Sets or queries the high-pass filter type.
[SENSe]:AUDio:FILTer:HPF:ENABLE	Enables or disables the high-pass audio filter for the audio measurement.
[SENSe]:AUDio:FILTer:DEEMphasis:USER	Sets or queries a user-defined high-pass audio filter.
[SENSe]:AUDio:FILTer:LPF	Sets or queries the low-pass filter type.
[SENSe]:AUDio:FILTer:LPF:ENABLE	Enables or disables the low-pass filter for the audio measurement.
[SENSe]:AUDio:FILTer:LPF:USER	Sets or queries a user-defined low-pass audio filter.
[SENSe]:AUDio:FILTer:MODE:PREDefined	Selects a predefined audio filter or a filter stored on the instrument file.
[SENSe]:AUDio:FILTer:SOURce?	Queries the measurement filter from the user-defined source file.
[SENSe]:AUDio:FILTer:STANdard	Sets or queries the Standard audio filter.
[SENSe]:AUDio:FILTer:STANdard:ENABLE	Enables or disables a Standard filter for the audio measurement.
[SENSe]:AUDio:FREQuency	Sets or queries the reference audio frequency.
[SENSe]:AUDio:FREQuency:AUTO	Determines whether to set the reference audio frequency automatically or manually.
[SENSe]:AUDio:HNOise:ENABLE	Enables or disables the Hum and Noise information in the Audio Summary display.
[SENSe]:AUDio:HNOise:REFerence	Captures the current Hum and Noise information in the Audio Summary display.
[SENSe]:AUDio:SIGnal:TYPE	Sets or queries the audio signal type.
[SENSe]:AUDio:SPECtrum:CLEar:RESults	Clears the results of the audio spectrum measurement.
[SENSe]:AUDio:SPECtrum:POINts:COUNT	Sets or queries the number of trace points acquired for the audio spectrum display.
[SENSe]:AUDio:UNITs	Sets or queries the units of the audio spectrum measurement.
<b>[SENSe]:AVTime subgroup</b>	<b>Amplitude versus Time measurement</b>
[SENSe]:AVTime:{BANDwidth BWIDth}	Sets or queries the time-domain bandwidth filter.
[SENSe]:AVTime:{BANDwidth BWIDth}:ACTual?	Queries the actual resolution bandwidth (RBW).
[SENSe]:AVTime:CLEar:RESults	Restarts multi-trace functions (Average and Max/Min Hold).



Table 2-22: Sense commands (cont.)

Header	Description
[SENSe]:AVTime:MAXTracepoints	Sets or queries the maximum trace points.
[SENSe]:AVTime:METHod	Sets or queries the method to set the measurement bandwidth.
[SENSe]:AVTime:SPAN	Sets or queries the frequency span.
<b>[SENSe]:CCDF subgroup</b>	<b>CCDF measurement</b>
[SENSe]:CCDF:{BANDwidth BWIDTH}	Sets or queries the CCDF measurement bandwidth.
[SENSe]:CCDF:CLEar	Clears the CCDF accumulator and restarts the measurement.
[SENSe]:CCDF:TIME:TOTal:LENGth	Sets or queries the CCDF measurement time.
[SENSe]:CCDF:TIME:TYPE	Sets or queries how to repeat the CCDF measurement.
<b>[SENSe]:DDEMod subgroup (Option 21 only)</b>	<b>General purpose digital modulation measurements</b>
[SENSe]:DDEMod:ANALysis:LENGth	Sets or queries the analysis length.
[SENSe]:DDEMod:ANALysis:LENGth:ACTual?	Queries the actual analysis length.
[SENSe]:DDEMod:ANALysis:LENGth:AUTO	Sets or queries whether to set the analysis length automatically.
[SENSe]:DDEMod:{BANDwidth BWIDTH}:MODE	Sets or queries the measurement bandwidth mode.
[SENSe]:DDEMod:{BANDwidth BWIDTH}:TINterval	Sets or queries the measurement bandwidth (frequency span).
[SENSe]:DDEMod:{BANDwidth BWIDTH}:TINterval:AUTO	Sets the measurement bandwidth (frequency span) automatically.
[SENSe]:DDEMod:BURSt:DETECT	Sets or queries how to detect bursts.
[SENSe]:DDEMod:BURSt:THReshold	Sets or queries the threshold level to determine a burst.
[SENSe]:DDEMod:CARRier:OFFSet	Sets or queries the carrier frequency offset.
[SENSe]:DDEMod:CARRier:OFFSet:AUTO	Sets or queries whether to detect the carrier frequency automatically.
[SENSe]:DDEMod:EQUalizer:AVAIlable?	Determines if the equalizer is available.
[SENSe]:DDEMod:EQUalizer:CONVergence	Sets or queries the Convergence value (also known as tap update rate).
[SENSe]:DDEMod:EQUalizer:ENABle	Sets or queries the Equalizer state.
[SENSe]:DDEMod:EQUalizer:LENGth	Sets or queries the equalizer filter length.
[SENSe]:DDEMod:EQUalizer:MODE	Sets or queries the equalizer mode. The equalizer can in learning mode (train) or enabled (hold).
[SENSe]:DDEMod:EQUalizer:RESet	Resets the equalizer settings to default values.
[SENSe]:DDEMod:EQUalizer:TAPS	Sets or queries the number of filter coefficients for the equalizer.
[SENSe]:DDEMod:EQUalizer:TSRATio	Sets or queries the Equalizer Taps/Symbol parameter.
[SENSe]:DDEMod:FILTer:ALPHa	Sets or queries the filter factor ( $a/BT$ ).
[SENSe]:DDEMod:FILTer:MEASurement	Sets or queries the measurement filter.
[SENSe]:DDEMod:FILTer:REFerence	Sets or queries the reference filter.
[SENSe]:DDEMod:FREQuency:DEViation	Sets or queries the frequency deviation to determine two states for FSK.
[SENSe]:DDEMod:FREQuency:DEViation:AUTO	Sets or queries whether to detect the frequency deviation automatically.
[SENSe]:DDEMod:MAGNitude:NORMalize	Sets or queries the method for the magnitude normalization.
[SENSe]:DDEMod:MINDEX	Sets or queries the modulation index for a CPM signal.
[SENSe]:DDEMod:MINDEX:AUTO	Sets or queries whether to detect the modulation index automatically.

Table 2-22: Sense commands (cont.)

Header	Description
[SENSe]:DDEMod:MODulation:TYPE	Sets or queries the modulation type.
[SENSe]:DDEMod:PRESet	Presets the modulation analysis to a communication standard.
[SENSe]:DDEMod:SRATe	Sets or queries the symbol rate.
[SENSe]:DDEMod:SWAP:IQ	Sets or queries whether or not to swap I and Q data.
[SENSe]:DDEMod:SYMBol:HSSHift	Sets or queries the Q data half-symbol shift for OQPSK and SOQPSK signals.
[SENSe]:DDEMod:SYMBol:MAP:SOURce?	Specifies or queries the user symbol map file.
[SENSe]:DDEMod:SYMBol:MAP[:STATe]	Sets or queries whether to use the user symbol map.
[SENSe]:DDEMod:SYMBol:PLOT:POSition	Sets or queries the symbol point location on an SOQPSK waveform.
[SENSe]:DDEMod:SYMBol:POINts	Sets or queries the number of points per symbol.
[SENSe]:DDEMod:SYMBol:RATE:SEARCh	Determines whether to enable a symbol rate search.
[SENSe]:DDEMod:SYNCh:WORD	Sets or queries whether to enable the synchronization word.
[SENSe]:DDEMod:SYNCh:WORD:SYMBol	Sets or queries the synchronization word.
[SENSe]:DDEMod:TIME:UNITs	Sets or queries the fundamental unit of time.
<b>[SENSe]:DPX subgroup</b>	<b>DPX spectrum measurement</b>
[SENSe]:DPX:AUDio:DEMod:GAIN	Sets or queries the gain for the audio demodulation.
[SENSe]:DPX:AUDio:DEMod:RXBWidth	Sets or queries the receiver bandwidth for the audio demodulation.
[SENSe]:DPX:AUDio:DEMod:RXFRequency?	Queries the receiver frequency for the audio demodulation.
[SENSe]:DPX:AUDio:DEMod:STATe	Sets or queries whether to enable or disable the audio demodulation.
[SENSe]:DPX:AUDio:DEMod:TUNE	Sets or queries how to determine the tuning frequency.
[SENSe]:DPX:AUDio:DEMod:TYPE	Sets or queries the modulation type for the audio demodulation.
[SENSe]:DPX:{BANDwidth BWIDth}:ACTual?	Sets or queries the resolution bandwidth (RBW).
[SENSe]:DPX:{BANDwidth BWIDth}[:RESolution]:AUTO	Determines whether to set the resolution bandwidth (RBW) automatically or manually in the DPX spectrum measurement.
[SENSe]:DPX:FREQuency:SPAN:{BANDwidth BWIDth}[:RESolution]:RATio	Sets or queries whether to set the RBW automatically.
[SENSe]:DPX:CLEar:RESults	Restarts multi-trace functions (Average and Max/Min Hold).
[SENSe]:DPX:COLor	Sets or queries the color palette of three-dimensional graphs.
[SENSe]:DPX:COLor:MAXimum	Sets or queries the maximum value of the color axis.
[SENSe]:DPX:COLor:MINimum	Sets or queries the minimum value of the color axis.
[SENSe]:DPX:DDENsity:MEASurement:SHOW	Sets or queries the Show measurement value (measurement always visible for DPX Trigger).
[SENSe]:DPX:DGRam:COLor:MAXimum	Sets or queries the maximum value of the color axis in the DPXogram measurement.
[SENSe]:DPX:DGRam:COLor:MINimum	Sets or queries the minimum value of the color axis in the DPXogram measurement.
[SENSe]:DPX:DGRam:POINts:COUNT	Sets the number of trace points acquired for the DPXogram display.
[SENSe]:DPX:DGRam:TIME:CAPacity?	Returns the time capacity of the DPXogram measurement.

Table 2-22: Sense commands (cont.)

Header	Description
[SENSe]:DPX:DGRam:TIME:RESolution	Sets the time resolution of the DPXogram measurement.
[SENSe]:DPX:DGRam:TIME:RESolution:AUTO	Sets the time resolution automatically or manually in the DPXogram measurement.
[SENSe]:DPX:DGRam:WATerfall:DIRection	Sets or queries the direction of the Waterfall (DPXogram) display.
[SENSe]:DPX:DGRam:WATerfall:ENABle	Sets or queries the Waterfall (DPXogram) display.
[SENSe]:DPX:DGRam:Y[:SCALe]:AUTO	Rescales the height axis automatically to fit the waveform to the screen in the DPXogram display.
[SENSe]:DPX:DGRam:Y[:SCALe]:RESet	Resets the height scale of the DPXogram display.
[SENSe]:DPX:DWELl	Sets or queries the value of the Dwell time for the DPX spectrum measurement. (Option 200 only.)
[SENSe]:DPX:DWELl:AUTO	Sets the value of the Dwell time automatically. (Option 200 only.)
[SENSe]:DPX:PLOT	Sets or queries the plot in the DPX spectrum measurement.
[SENSe]:DPX:POINts:COUnT	Sets or queries the number of DPX trace points.
[SENSe]:DPX:FREQuency:CENTer	Sets or queries the center frequency.
[SENSe]:DPX:FREQuency:SPAN	Sets or queries the frequency span.
[SENSe]:DPX:FREQuency:STARt	Sets or queries the measurement start frequency.
[SENSe]:DPX:FREQuency:STEP	Sets or queries the frequency step size.
[SENSe]:DPX:FREQuency:STEP:AUTO	Sets or queries whether to set the frequency step size automatically.
[SENSe]:DPX:FREQuency:STOP	Sets or queries the measurement stop frequency.
[SENSe]:DPX:TDM:{BANDwidth BWIDth}	Sets or queries the value of the measurement bandwidth in the DPX measurement.
[SENSe]:DPX:TDM:{BANDwidth BWIDth}:ACTual?	Queries the actual bandwidth in the DPX measurement.
[SENSe]:DPX:TDM:FREQuency:CENTer	Sets or queries the center frequency in the DPX spectrum measurement.
[SENSe]:DPX:TDM:RBW	Sets or queries the value of the RBW filter.
[SENSe]:DPX:TDM:RBW:STATe	Determines whether to set the resolution bandwidth (RBW) automatically or manually.
[SENSe]:DPX:TDM:SWEep:TIME	Sets or queries the sweep time.
[SENSe]:DPX:TDM:TMOTion	Sets or queries the scroll direction.
<b>[SENSe]:{FSETtling PSETtling} subgroup</b>	<b>Settling time measurements</b>
[SENSe]:{FSETtling PSETtling}:{BANDwidth BWIDTh}	Sets or queries the measurement bandwidth for the Settling Time measurements.
[SENSe]:{FSETtling PSETtling}:{BANDwidth BWIDTh}:ACTual?	Queries the actual measurement bandwidth in the Settling Time measurements.
[SENSe]:{FSETtling PSETtling}:FREQuency:CENTer	Queries the actual measurement bandwidth in the Settling Time measurements.
[SENSe]:{FSETtling PSETtling}:FREQuency:OFFSet	Sets or queries the offset frequency.
[SENSe]:{FSETtling PSETtling}:LENGth	Sets or queries the measurement length.
[SENSe]:{FSETtling PSETtling}:LENGth:ACTual?	Queries the actual measurement length for the Settling Time measurements.

Table 2-22: Sense commands (cont.)

Header	Description
[SENSe]:{FSETtling PSETtling}:MASK:LIMit	Sets or queries the frequency or phase limit for the specified region.
[SENSe]:{FSETtling PSETtling}:MASK:STATe	Sets or queries mask test state.
[SENSe]:{FSETtling PSETtling}:MASK:TIME:REFerence	Sets or queries the mask time reference.
[SENSe]:{FSETtling PSETtling}:MASK:TIME:START	Sets or queries the mask region start time in seconds.
[SENSe]:{FSETtling PSETtling}:MASK:TIME:STOP	Sets or queries the mask region stop time in seconds.
[SENSe]:{FSETtling PSETtling}:MASK:TIME:STOP	Sets or queries the mask region stop time in seconds.
[SENSe]:{FSETtling PSETtling}:MAXTracepoints	Sets or queries the maximum trace points in the Settling Time measurements.
[SENSe]:{FSETtling PSETtling}:SDURation:MINimum	Sets or queries the minimum settled duration in seconds.
[SENSe]:{FSETtling PSETtling}:TARGet:REFerence	Sets or queries the target reference frequency.
[SENSe]:{FSETtling PSETtling}:TOLerance	Sets or queries the frequency or phase range into which the signal must settle.
<b>[SENSe]:FVTime subgroup</b>	<b>Frequency versus Time measurement</b>
[SENSe]:FVTime:CLEar:RESults	Restarts multi-trace functions (Average and Max/Min Hold).
[SENSe]:FVTime:FREQuency:CENTer	Sets or queries the center frequency.
[SENSe]:FVTime:FREQuency:SPAN	Sets or queries the frequency span.
[SENSe]:FVTime:FREQuency:START	Sets or queries the measurement start frequency.
[SENSe]:FVTime:FREQuency:STEP	Sets or queries the frequency step size.
[SENSe]:FVTime:FREQuency:STEP:AUTO	Sets or queries whether to set the frequency step size automatically.
[SENSe]:FVTime:FREQuency:STOP	Sets or queries the measurement stop frequency.
[SENSe]:FVTime:MAXTracepoints	Sets or queries the maximum trace points.
<b>[SENSe]:IQVTime subgroup</b>	<b>RF I&amp;Q versus Time measurement</b>
[SENSe]:IQVTime:CLEar:RESults	Restarts multi-trace functions (Average and Max/Min Hold).
[SENSe]:IQVTime:FREQuency:CENTer	Sets or queries the center frequency.
[SENSe]:IQVTime:FREQuency:SPAN	Sets or queries the frequency span.
[SENSe]:IQVTime:FREQuency:START	Sets or queries the measurement start frequency.
[SENSe]:IQVTime:FREQuency:STEP	Sets or queries the frequency step size.
[SENSe]:IQVTime:FREQuency:STEP:AUTO	Sets or queries whether to set the frequency step size automatically.
[SENSe]:IQVTime:FREQuency:STOP	Sets or queries the measurement stop frequency.
[SENSe]:IQVTime:MAXTracepoints	Sets or queries the maximum trace points.
<b>[SENSe]:MCPower subgroup</b>	<b>MCPR measurement</b>
[SENSe]:MCPower:AVERAge	Sets or queries how to average waveform.
[SENSe]:MCPower:AVERAge:COUNT	Sets or queries the number of waveforms for average.
[SENSe]:MCPower:{BANDwidth BWidth[:RESolution]}	Sets or queries the resolution bandwidth (RBW).
[SENSe]:MCPower:{BANDwidth BWidth[:RESolution]:ACTual?}	Queries the actual resolution bandwidth (RBW).

Table 2-22: Sense commands (cont.)

Header	Description
[SENSe]:MCPower:{BANDwidth BWIDth}[:RESolution]:AUTO	Sets or queries whether to set the RBW automatically.
[SENSe]:MCPower:{BANDwidth BWIDth}:VIDeo	Sets or queries the video bandwidth (VBW).
[SENSe]:MCPower:{BANDwidth BWIDth}:VIDeo:STATe	Sets or queries whether to enable the video bandwidth (VBW).
[SENSe]:MCPower:CHANnel:ADJacent:ADD	Adds a pair of upper and lower adjacent channels.
[SENSe]:MCPower:CHANnel:ADJacent:DELete	Deletes a selected adjacent channel.
[SENSe]:MCPower:CHANnel:FILTer	Sets or queries the measurement filter.
[SENSe]:MCPower:CHANnel:MAIN:{BANDwidth BWIDth}	Sets or queries the frequency bandwidth of the main channels.
[SENSe]:MCPower:CHANnel:MAIN:COUNT	Sets or queries the number of main channels.
[SENSe]:MCPower:CHANnel:MAIN:INActive	Makes a main channel inactive or queries the inactive main channels.
[SENSe]:MCPower:CHANnel:MAIN:SPACing	Sets or queries the main channel spacing.
[SENSe]:MCPower:CHIPrate	Sets or queries the chip rate.
[SENSe]:MCPower:CLEar:RESuLts	Restarts the average trace.
[SENSe]:MCPower:FREQUency	Sets or queries the center frequency.
[SENSe]:MCPower:FREQUency:STEP	Sets or queries the frequency step size.
[SENSe]:MCPower:FREQUency:STEP:AUTO	Sets or queries whether to set the frequency step size automatically.
[SENSe]:MCPower:NFLoor:STATe	Sets or queries whether to enable the correction for noise floor.
[SENSe]:MCPower:POINTs:COUNT	Sets or queries the number of trace points.
[SENSe]:MCPower:RCHannels?	Queries the power reference.
[SENSe]:MCPower:RCHannels:MAIN<x>	Sets the power reference to the main channel with the index (<x>).
[SENSe]:MCPower:RCHannels:TOTal	Sets the power reference to the total power of all the active channels.
[SENSe]:MCPower:RRCRolloff	Sets or queries the filter parameter for the Root Raised Cosine filter.
<b>[SENSe]:OBWidth subgroup</b>	<b>Occupied Bandwidth measurement</b>
[SENSe]:OBWidth:AVERAge	Sets or queries whether to enable or disable averaging.
[SENSe]:OBWidth:AVERAge:COUNT	Sets or queries the number of measurements for averaging.
[SENSe]:OBWidth:{BANDwidth BWIDth}:MEASurement	Sets or queries the measurement bandwidth.
[SENSe]:OBWidth:{BANDwidth BWIDth}[:RESolution]	Sets or queries the resolution bandwidth (RBW).
[SENSe]:OBWidth:{BANDwidth BWIDth}[:RESolution]:ACTual?	Queries the actual resolution bandwidth (RBW).
[SENSe]:OBWidth:{BANDwidth BWIDth}[:RESolution]:AUTO	Sets or queries whether to set the RBW automatically.
[SENSe]:OBWidth:{BANDwidth BWIDth}:VIDeo	Sets or queries the video bandwidth (VBW).
[SENSe]:OBWidth:{BANDwidth BWIDth}:VIDeo:STATe	Sets or queries whether to enable the video bandwidth (VBW).
[SENSe]:OBWidth:CLEar:RESuLts	Restarts the averaging.
[SENSe]:OBWidth:FREQUency:CENTer	Sets or queries the center frequency.

Table 2-22: Sense commands (cont.)

Header	Description
[SENSe]:OBWidth:FREQuency:STEP	Sets or queries the frequency step size.
[SENSe]:OBWidth:FREQuency:STEP:AUTO	Determines whether to set the frequency step size automatically.
[SENSe]:OBWidth:PERCent	Sets or queries the occupied bandwidth percent power.
[SENSe]:OBWidth:XDBLevel	Sets or queries the x dB level.
<b>[SENSe]:OFDM subgroup</b>	<b>Orthogonal Frequency Division Multiplexing measurement</b>
[SENSe]:OFDM:CHANnel:ESTimation	Sets or queries the channel estimation.
[SENSe]:OFDM:CHANnel[:BANDwidth BWIDth]	Sets or queries the channel bandwidth.
[SENSe]:OFDM:CHANnel[:BANDwidth BWIDth]:SRATe?	Returns the FFT sample rate.
[SENSe]:OFDM:CHANnel[:BANDwidth BWIDth]:STATe	Determines whether the channel bandwidth is on or off.
[SENSe]:OFDM:CONSt:DETermination	Sets or queries the constellation determination.
[SENSe]:OFDM:CONSt:DETermination:MANual	Sets or queries a manual constellation type.
[SENSe]:OFDM:FFT:LENGTh?	Returns the FFT length.
[SENSe]:OFDM:GUARd:INTerval	Sets or queries the guard interval.
[SENSe]:OFDM:GUARd:INTerval:USER	Sets or queries a user-defined guard interval.
[SENSe]:OFDM:PILot:TRACking:AMPLitude:STATe	Determines whether to select the Amplitude pilot tracking.
[SENSe]:OFDM:PILot:TRACking:PHASe:STATe	Determines whether to select the Phase pilot tracking.
[SENSe]:OFDM:PILot:TRACking:TIMing:STATe	Determines whether to select the Timing pilot tracking.
[SENSe]:OFDM:RADix	Sets the radix for the OFDM measurements.
[SENSe]:OFDM:SCARrier:SPACing	Sets or queries the subcarrier spacing.
[SENSe]:OFDM:SCARrier:SPACing:STATe	Determines whether the subcarrier spacing is on or off.
[SENSe]:OFDM:SCARriers	Sets or queries the Subcarriers to display.
[SENSe]:OFDM:SCARriers:RANGe:START	Sets or queries the subcarrier start range.
[SENSe]:OFDM:SCARriers:RANGe:STOP	Sets or queries the subcarrier stop range.
[SENSe]:OFDM:SCARriers:SINGle:INDex	Sets or queries the index of a single subcarrier.
[SENSe]:OFDM:STANdard	Sets or queries the OFDM standard.
[SENSe]:OFDM:SWAP:IQ	Determines whether or not to exchange I and Q data.
[SENSe]:OFDM:SYMBol:ANALysis:OFFSet	Sets or queries the OFDM symbol analysis offset.
[SENSe]:OFDM:SYMBols	Sets or queries the symbols to display.
[SENSe]:OFDM:SYMBols:MAX	Sets or queries the maximum number of symbols to analyze.
[SENSe]:OFDM:SYMBols:MAX:STATe	Enables or disables the maximum number of symbols to analyze.
[SENSe]:OFDM:SYMBols:RANGe:COUNT	Sets or queries the number of symbols to display.
[SENSe]:OFDM:SYMBols:RANGe:START	Sets or queries the symbols start range.
[SENSe]:OFDM:SYMBols:SINGle:INDex	Sets or queries the symbol index
[SENSe]:OFDM:UNIT:FREQuency	Specifies the frequency units.
[SENSe]:OFDM:UNIT:TIME	Specifies the time units.

Table 2-22: Sense commands (cont.)

Header	Description
<b>[SENSe]:PHVTime subgroup</b>	<b>Phase versus Time measurement</b>
[SENSe]:PHVTime:CLEar:RESults	Restarts multi-trace functions (Average and Max/Min Hold).
[SENSe]:PHVTime:FREQuency:CENTer	Sets or queries the center frequency.
[SENSe]:PHVTime:FREQuency:SPAN	Sets or queries the frequency span.
[SENSe]:PHVTime:FREQuency:START	Sets or queries the measurement start frequency.
[SENSe]:PHVTime:FREQuency:STEP	Sets or queries the frequency step size.
[SENSe]:PHVTime:FREQuency:STEP:AUTO	Sets or queries whether to set the frequency step size automatically.
[SENSe]:PHVTime:FREQuency:STOP	Sets or queries the measurement stop frequency.
[SENSe]:PHVTime:MAXTracepoints	Sets or queries the maximum trace points.
<b>[SENSe]:PNOise subgroup (Option 11 only)</b>	<b>Phase noise measurement</b>
[SENSe]:PNOise:AVERAge:COUNT	Sets or queries the number of traces to combine for averaging.
[SENSe]:PNOise:AVERAge:ENABLE	Sets or queries whether to enable or disable averaging trace.
[SENSe]:PNOise:CARRier:FREQuency:TRACk	Sets or queries whether to enable tracking the carrier frequency.
[SENSe]:PNOise:CARRier:THReshold	Sets or queries the threshold level to detect the carrier.
[SENSe]:PNOise:CLEar:RESults	Restarts the average process.
[SENSe]:PNOise:FREQuency:INTegration:OFFSet:START	Sets or queries the start offset frequency for integration.
[SENSe]:PNOise:FREQuency:INTegration:OFFSet:STOP	Sets or queries the stop offset frequency for integration.
[SENSe]:PNOise:FREQuency:PLOT:OFFSet:START	Sets or queries the start offset frequency for plot.
[SENSe]:PNOise:FREQuency:PLOT:OFFSet:STOP	Sets or queries the stop offset frequency for plot.
[SENSe]:PNOise:OPTimization	Sets or queries the method of optimization.
<b>[SENSe]:PULSe subgroup (Option 20 only)</b>	<b>Pulsed RF measurements</b>
[SENSe]:PULSe:ANALyze:FDOMain:MEASurement:TIME:ALENght	Sets or queries the absolute amount of time included in the Frequency-Domain Linearity measurements.
[SENSe]:PULSe:ANALyze:FDOMain:MEASurement:TIME:METHod	Sets or queries the measurement time method for the Frequency-Domain Linearity measurements.
[SENSe]:PULSe:ANALyze:FDOMain:MEASurement:TIME:RLENght	Sets or queries the relative amount of time included in the Frequency-Domain Linearity measurements.
[SENSe]:PULSe:ANALyze:FDOMain:MEASurement:TIME:RLEVel	Sets or queries the Frequency-Domain Linearity measurement reference level.
[SENSe]:PULSe:ANALyze:FDOMain:MEASurement:TIME:START	Sets or queries the start time for the Frequency-Domain Linearity measurements
[SENSe]:PULSe:ANALyze:IRESponse:CORREction:AMPLitude[:STATe]	Enables or disables the impulse response measurement amplitude corrections for window and for delay of the highest side lobe.
[SENSe]:PULSe:ANALyze:IRESponse:KOTime	Sets or queries the impulse response measurement Keep-out time.
[SENSe]:PULSe:ANALyze:IRESponse:MEASurement:TIME:ALENght	Sets or queries the absolute amount of time included in impulse response measurements.

Table 2-22: Sense commands (cont.)

Header	Description
[SENSe]:PULSe:ANALyze:IRESpOse:MEASurement:TIME:METhod	Sets or queries the impulse response measurement time method.
[SENSe]:PULSe:ANALyze:IRESpOse:MEASurement:TIME:REnGth	Sets or queries the relative amount of time included in Impulse Response measurements.
[SENSe]:PULSe:ANALyze:IRESpOse:MEASurement:TIME:RELeV	Sets or queries the measurement reference level for Impulse Response measurements.
[SENSe]:PULSe:ANALyze:IRESpOse:MEASurement:TIME:StARt	Sets or queries the start time for the Impulse Response measurements.
[SENSe]:PULSe:ANALyze:LEVeL	Sets or queries how to determine the 50% level.
[SENSe]:PULSe:ANALyze:LEVeL:FIFTy	Sets or queries how to determine the 50% level.
[SENSe]:PULSe:ANALyze:LEVeL:HUNdred	Sets or queries how to determine the 50% level.
[SENSe]:PULSe:ANALyze:OVERshoot:MEASurement:TIME:ALEnGth	Sets or queries the absolute amount of time included in the Overshoot measurements.
[SENSe]:PULSe:ANALyze:OVERshoot:MEASurement:TIME:METhod	Sets or queries the measurement time method for the Overshoot measurements.
[SENSe]:PULSe:ANALyze:OVERshoot:MEASurement:TIME:REnGth	Sets or queries the relative amount of time included in the Overshoot measurements.
[SENSe]:PULSe:ANALyze:OVERshoot:MEASurement:TIME:RELeV	Sets or queries the measurement reference level for the Overshoot measurements.
[SENSe]:PULSe:ANALyze:OVERshoot:MEASurement:TIME:StARt	Sets or queries the start time for the Overshoot measurements
[SENSe]:PULSe:ANALyze:PMLocation	Sets or queries the phase measurement location.
[SENSe]:PULSe:ANALyze:POINt:LOCation	Sets or queries the point location method.
[SENSe]:PULSe:ANALyze:RFALI	Sets or queries the threshold levels to measure the rise/fall time.
[SENSe]:PULSe:ANALyze:RIPple	Sets or queries the ripple portion of the pulse top.
[SENSe]:PULSe:CARRier:FREQUency?	Queries the carrier frequency.
[SENSe]:PULSe:CARRier:OFFSet	Sets or queries the carrier frequency offset.
[SENSe]:PULSe:CARRier:SEARch	Sets or queries how to detect the carrier.
[SENSe]:PULSe:DETEct:MEASurement	Sets or queries whether to set the maximum number of pulses.
[SENSe]:PULSe:DETEct:NUMBer	Sets or queries the maximum number of pulses to detect.
[SENSe]:PULSe:DETEct:POWer[:THReshold]	Sets or queries the power threshold to detect pulses.
[SENSe]:PULSe:DETEct:TIME[:THReshold]	Sets or queries the minimum off-time between pulses.
[SENSe]:PULSe:FILTer:{BANDwidth BWIDTH}	Sets or queries the filter bandwidth for the Gaussian filter.
[SENSe]:PULSe:FILTer:MEASurement	Sets or queries the measurement filter.
[SENSe]:PULSe:FREFerence:AUTO	Determines whether to estimate the frequency reference automatically.
[SENSe]:PULSe:FREFerence:CSLope	Sets or queries the Chirp Slope.
[SENSe]:PULSe:FREFerence:CSLope:AUTO	Sets or queries enabling automatic Chirp Slope estimating.
[SENSe]:PULSe:FREFerence:OFFSet	Sets or queries the frequency reference offset.
[SENSe]:PULSe:MODulation:TYPE	Sets or queries the modulation type.



Table 2-22: Sense commands (cont.)

Header	Description
[SENSe]:PULSe:SIGNal:TYPE	Sets or queries the signal type in the pulsed RF measurements.
[SENSe]:PULSe:STATistics:HISTogram:ORDinate	Sets or queries the Histogram Y unit.
[SENSe]:PULSe:STATistics:HISTogram:POINts	Sets or queries the number of bins in the Histogram plot.
[SENSe]:PULSe:STATistics:HISTogram:POINts:AUTO	Sets or queries enabling automatic Histogram plot bins count.
<b>[SENSe]:REANalyze subgroup</b>	<b>Spectrogram measurement</b>
[SENSe]:REANalyze	Sets all measurements to reanalyze the current acquisition record.
[SENSe]:REANalyze:ACQuisition:SETTings?	Queries the settings of all acquisitions in acquisition history.
[SENSe]:REANalyze:ALL	Replay all items in the current acquisition history selection.
[SENSe]:REANalyze:ALL:LOOP	Replay all selected records/frames in a continuous loop.
[SENSe]:REANalyze:CURRent	Replay the currently selected acquisition (or frame).
[SENSe]:REANalyze:CURRent:ACQuisition?	Queries the Acquisition record identifier (ID) of the currently selected acquisition (or frame).
[SENSe]:REANalyze:CURRent:FRAMe?	Queries the Frame identifier (ID) of the currently selected acquisition (or frame).
[SENSe]:REANalyze:CURRent:TIMestamp?	Queries the time stamp of the currently selected acquisition (or frame).
[SENSe]:REANalyze:DELEte:DATA	Deletes all acquisition data.
[SENSe]:REANalyze:FIRSt	Replays the first item in the current acquisition history selection.
[SENSe]:REANalyze:LAST	Replays the last item in the current acquisition history selection.
[SENSe]:REANalyze:NEXt	Replays the next item in the current acquisition history selection.
[SENSe]:REANalyze:PAUSe	Sets or queries the reanalysis pause state.
[SENSe]:REANalyze:PREVious	Replays the previous item in the current Replay selection.
[SENSe]:REANalyze:SELEct:ACQuisition:DATA:TYPE	Sets or queries the acquisition data type.
[SENSe]:REANalyze:SELEct:ACQuisition:FIRSt?	Queries the first selectable acquisition history Start or Stop value.
[SENSe]:REANalyze:SELEct:ACQuisition:FIRSt:TIMestamp?	Queries the time stamp associated with the first selectable acquisition history Start or Stop value.
[SENSe]:REANalyze:SELEct:ACQuisition:LAST?	Queries the last selectable acquisition history Start or Stop value.
[SENSe]:REANalyze:SELEct:ACQuisition:LAST:TIMestamp?	Queries the time stamp associated with the last selectable acquisition history Start or Stop value.
[SENSe]:REANalyze:SELEct:ACQuisition:START	Sets or queries the Acquisition Start value in the acquisition history selection.
[SENSe]:REANalyze:SELEct:ACQuisition:START:TIMestamp?	Queries the time stamp associated with the current Acquisition Start selection.
[SENSe]:REANalyze:SELEct:ACQuisition:STOP	Sets or queries the Acquisition Stop value in the acquisition history selection.
[SENSe]:REANalyze:SELEct:ACQuisition:STOP:TIMestamp?	Queries the time stamp associated with the current Acquisition Stop selection.
[SENSe]:REANalyze:SELEct:ALL	Selects all acquisitions and frames in the current acquisition history.
[SENSe]:REANalyze:SELEct:FRAMe:FIRSt?	Queries the first available Frame Start or Stop value available for acquisition history selection.

Table 2-22: Sense commands (cont.)

Header	Description
[SENSe]:REANalyze:SElect:FRAMe:FIRSt:TIMestamp?	Queries the time stamp associated with the first available frame of the first available Acquisition Start or Stop value
[SENSe]:REANalyze:SElect:FRAMe:LAST?	Queries the last available Frame Start or Stop value available for acquisition history selection.
[SENSe]:REANalyze:SElect:FRAMe:LAST:TIMestamp?	Queries the time stamp associated with the last available frame of the last available Acquisition Start or Stop value
[SENSe]:REANalyze:SElect:FRAMe:START	Sets or queries the Frame Start value in the acquisition history selection.
[SENSe]:REANalyze:SElect:FRAMe:START:TIMestamp?	Queries the time stamp associated with the current Frame Start selection.
[SENSe]:REANalyze:SElect:FRAMe:STOP	Sets or queries the frame stop value in acquisition history selection.
[SENSe]:REANalyze:SElect:FRAMe:STOP:TIMestamp?	Queries the time stamp associated with the current frame stop selection.
[SENSe]:REANalyze:SElect:SPECTra:ACQuisition:ALL	Selects all spectra acquisitions and frames in the currently selected set.
[SENSe]:REANalyze:SElect:SPECTra:ACQuisition:CURRent:ACQuisition?	Queries the acquisition record identifier (ID) of the currently selected acquisition.
[SENSe]:REANalyze:SElect:SPECTra:ACQuisition:CURRent:TIMestamp?	Queries the time stamp of the currently selected acquisition.
[SENSe]:REANalyze:SElect:SPECTra:ACQuisition:FIRSt?	Queries the first selectable acquisition start or stop value in the currently selected set.
[SENSe]:REANalyze:SElect:SPECTra:ACQuisition:FIRSt:TIMestamp?	Queries the time stamp of the first selectable acquisition history start or stop value in the currently selected acquisition set.
[SENSe]:REANalyze:SElect:SPECTra:ACQuisition:LAST?	Queries the last selectable acquisition start or stop value in the currently selected set.
[SENSe]:REANalyze:SElect:SPECTra:ACQuisition:LAST:TIMestamp?	Queries the time stamp of the last selectable acquisition start or stop value in the currently selected set.
[SENSe]:REANalyze:SElect:SPECTra:ACQuisition:START	Sets or queries the acquisition start value in the currently selected set.
[SENSe]:REANalyze:SElect:SPECTra:ACQuisition:START:TIMestamp?	Queries the time stamp of the current acquisition start selection.
[SENSe]:REANalyze:SElect:SPECTra:ACQuisition:STOP	Sets or queries the acquisition stop value in the currently selected set.
[SENSe]:REANalyze:SElect:SPECTra:ACQuisition:STOP:TIMestamp?	Queries the time stamp of the current acquisition stop selection.
[SENSe]:REANalyze:SPEed	Sets or queries the time delay value inserted between reanalysis of frames or acquisitions.
[SENSe]:REANalyze:STOP	Stops the current reanalysis.
[SENSe]:REANalyze:TIMestamp:DECimal	Sets or queries the number of values to the right of the decimal point to include in all time stamps.
<b>[SENSe]:SEM subgroup</b>	<b>Spectrum Emissions Mask measurements</b>
[SENSe]:SEM:{BANDwidth BWIDTh}[:RESolution]	Sets or queries the resolution bandwidth (RBW).

Table 2-22: Sense commands (cont.)

Header	Description
[SENSe]:SEM:{BANDwidth BWIDTh}:VIDeo	Sets or queries the video bandwidth (VBW).
[SENSe]:SEM:CHANnel:FILTer	Sets or queries the reference Channel Filter.
[SENSe]:SEM:CHANnel:IBANdwidth	Sets or queries the reference channel integration bandwidth.
[SENSe]:SEM:CHANnel:WIDTh	Sets or queries the reference Channel Filter bandwidth.
[SENSe]:SEM:CHIPrate	Sets or queries the Chip rate.
[SENSe]:SEM:CLEar:RESults	Clears the results in the Spectral Emissions Mask measurement.
[SENSe]:SEM:FREQuency	Sets or queries the measurement frequency.
[SENSe]:SEM:FREQuency:SPAN?	Returns the frequency span.
[SENSe]:SEM:MFILTer	Sets or queries the shape of the filter.
[SENSe]:SEM:MTYPE	Sets or queries the measurement type.
[SENSe]:SEM:OFFSet:DETection	Sets or queries the detection settings for all offsets.
[SENSe]:SEM:OFFSet<x>:BANDwidth:FILTer?	Returns the bandwidth filter setting.
[SENSe]:SEM:OFFSet<x>:BANDwidth[:RESolution]	Sets or queries the resolution bandwidth.
[SENSe]:SEM:OFFSet<x>:BANDwidth:RESolution:COUNT	Sets or queries the count of Resolution Bandwidths (RBWs).
[SENSe]:SEM:OFFSet<x>:BANDwidth:VIDeo	Sets or queries the video bandwidth setting.
[SENSe]:SEM:OFFSet<x>:BANDwidth:VIDeo:STATe	Sets or queries the state of the video bandwidth.
[SENSe]:SEM:OFFSet<x>:FREQuency:START	Sets or queries the start frequency.
[SENSe]:SEM:OFFSet<x>:FREQuency:STOP	Sets or queries the stop frequency.
[SENSe]:SEM:OFFSet<x>:LIMIT:ABSolute:SAME	Sets or queries the state of the limits for the absolute start and stop settings.
[SENSe]:SEM:OFFSet<x>:LIMIT:ABSolute:START	Sets or queries the absolute power start limit.
[SENSe]:SEM:OFFSet<x>:LIMIT:ABSolute:STOP	Sets or queries the absolute power stop limit.
[SENSe]:SEM:OFFSet<x>:LIMIT:MASK	Sets or queries the limit mask setting.
[SENSe]:SEM:OFFSet<x>:LIMIT:RELative:SAME	Sets or queries the state of the limits for the relative start and stop settings
[SENSe]:SEM:OFFSet<x>:LIMIT:RELative:START	Sets or queries the relative power start limit.
[SENSe]:SEM:OFFSet<x>:LIMIT:RELative:STOP	Sets or queries the relative power stop limit.
[SENSe]:SEM:OFFSet<x>:LIMIT:SIDE	Sets or queries the side of the offset limit.
[SENSe]:SEM:OFFSet<x>:STATe	Determines whether to display the specified row of the Offsets & Limits table.
[SENSe]:SEM:POINTs:COUNT	Sets or queries the maximum number of trace points.
[SENSe]:SEM:PRESet	Defines the standard protocol settings for the measurement.
[SENSe]:SEM:REFerence:AUTO	Determines whether to automatically update the Power Reference.
[SENSe]:SEM:REFerence:DETection	Sets or queries the reference channel detection setting.
[SENSe]:SEM:REFerence[:MAGNitude]	Sets or queries the power magnitude.
[SENSe]:SEM:RRCRolloff	Sets or queries the filter parameter (roll-off ratio).
[SENSe]:SEM:STEP:AUTO	Determines whether to automatically update the center frequency.

Table 2-22: Sense commands (cont.)

Header	Description
[SENSe]:SEM:STEP[:MAGNitude]	Sets or queries the step magnitude.
[SENSe]:SEM:WIDTh:DEFinition	Sets or queries the offset definition.
<b>[SENSe]:SGRam subgroup</b>	<b>Spectrogram measurements</b>
[SENSe]:SGRam:{BANDwidth BWIDth}:RESolution	Sets or queries the resolution bandwidth (RBW).
[SENSe]:SGRam:{BANDwidth BWIDth}[:RESolution]:ACTual?	Queries the actual resolution bandwidth (RBW).
[SENSe]:SGRam:{BANDwidth BWIDth}[:RESolution]:AUTO	Sets or queries whether to set the RBW automatically.
[SENSe]:SGRam:{BANDwidth BWIDth}[:RESolution]:MODE	Sets or queries whether to enable or disable the RBW processing.
[SENSe]:SGRam:{BANDwidth BWIDth}:VIDeo	Sets or queries the video bandwidth (VBW).
[SENSe]:SGRam:{BANDwidth BWIDth}:VIDeo:STATe	Sets or queries whether to enable the video bandwidth (VBW).
[SENSe]:SGRam:COLor	Sets or queries the color palette of three-dimensional graphs.
[SENSe]:SGRam:COLor:MAXimum	Sets or queries the maximum value of the color axis.
[SENSe]:SGRam:COLor:MINimum	Sets or queries the minimum value of the color axis.
[SENSe]:SGRam:FFT:WINDow	Sets or queries the FFT window.
[SENSe]:SGRam:FILTer[:SHAPE]	Sets or queries the filter shape.
[SENSe]:SGRam:FREQuency:CENter	Sets or queries the center frequency.
[SENSe]:SGRam:FREQuency:SPAN	Sets or queries the frequency span.
[SENSe]:SGRam:FREQuency:SPAN:BANDwidth[:RESolution]:RATio	Sets or queries the ratio of span to RBW.
[SENSe]:SGRam:FREQuency:SPAN:MAXimum	Sets the frequency range to the maximum real-time span.
[SENSe]:SGRam:FREQuency:START	Sets or queries the measurement start frequency.
[SENSe]:SGRam:FREQuency:STEP	Sets or queries the frequency step size.
[SENSe]:SGRam:FREQuency:STEP:AUTO	Sets or queries whether to set the frequency step size automatically.
[SENSe]:SGRam:FREQuency:STOP	Sets or queries the measurement stop frequency.
[SENSe]:SGRam:TIME[:SCALE]:MODE	Sets or queries the vertical mode.
[SENSe]:SGRam:TIME[:SCALE]:OVERlap:PERCent	Sets or queries the Overlap in percent.
[SENSe]:SGRam:TIME[:SCALE]:PER:DIVision	Sets or queries the vertical Time/division value.
[SENSe]:SGRam:TIME[:SCALE]:PER:UPDate:MINutes	Sets or queries the Spectrum Monitor mode Time/Update value for minutes.
[SENSe]:SGRam:WATerfall:ENABLE	Sets or queries the Waterfall (3-D spectrogram) display.
[SENSe]:SGRam:WATerfall:DIRection	Sets or queries the direction of the Waterfall display.
[SENSe]:SGRam:WATerfall:Y:AUTO	Rescales the height axis automatically to fit the waveform to the screen in the 3-D Waterfall display.
[SENSe]:SGRam:WATerfall:Y:OFFSet	Sets or queries the height offset (the value at the top edge of the vertical axis) of the 3-D Waterfall display.
[SENSe]:SGRam:WATerfall:Y:RESet	Resets the height scale of the 3-D Waterfall display to the default values.

Table 2-22: Sense commands (cont.)

Header	Description
[SENSe]:SGRam:WATerfall:Y[:SCALe]	Sets or queries the height (vertical) range of the Waterfall (3-D spectrogram) display.
<b>[SENSe]:SPECTrum subgroup</b>	<b>Spectrum measurement</b>
[SENSe]:SPECTrum:{BANDwidth BWIDth}[:RESolution]	Sets or queries the resolution bandwidth (RBW).
[SENSe]:SPECTrum:{BANDwidth BWIDth}[:RESolution]:ACTual?	Queries the actual resolution bandwidth (RBW).
[SENSe]:SPECTrum:{BANDwidth BWIDth}[:RESolution]:AUTO	Sets or queries whether to set the RBW automatically.
[SENSe]:SPECTrum:{BANDwidth BWIDth}[:RESolution]:MODE	Sets or queries whether to enable or disable the RBW process.
[SENSe]:SPECTrum:{BANDwidth BWIDth}:VIDeo	Sets or queries the video bandwidth (VBW).
[SENSe]:SPECTrum:{BANDwidth BWIDth}:VIDeo:STATe	Sets or queries whether to enable the video bandwidth (VBW).
[SENSe]:SPECTrum:CLEar:RESults	Restarts multi-trace functions (Average and Max/Min Hold).
[SENSe]:SPECTrum:FFT:WINDow	Sets or queries the FFT window.
[SENSe]:SPECTrum:FILTer[:SHAPE]	Sets or queries the filter shape.
[SENSe]:SPECTrum:FREQuency:CENTer	Sets or queries the center frequency.
[SENSe]:SPECTrum:FREQuency:SPAN	Sets or queries the frequency span.
[SENSe]:SPECTrum:FREQuency:SPAN:BANDwidth[:RESolution]:RATio	Sets or queries the ratio of span to RBW.
[SENSe]:SPECTrum:FREQuency:START	Sets or queries the measurement start frequency.
[SENSe]:SPECTrum:FREQuency:STEP	Sets or queries the frequency step size.
[SENSe]:SPECTrum:FREQuency:STEP:AUTO	Sets or queries whether to set the frequency step size automatically.
[SENSe]:SPECTrum:FREQuency:STOP	Sets or queries the measurement stop frequency.
[SENSe]:SPECTrum:LENGth	Sets or queries the spectrum length.
[SENSe]:SPECTrum:LENGth:ACTual?	Queries the actual spectrum length.
[SENSe]:SPECTrum:LENGth:AUTO	Sets or queries the spectrum length mode (automatic or manual).
[SENSe]:SPECTrum:MAX:SPAN	Sets the frequency span to the maximum span.
[SENSe]:SPECTrum:POINTs:COUNT	Sets or queries the number of sample points on the signal spectrum.
[SENSe]:SPECTrum:START	Sets or queries the spectrum offset time.
[SENSe]:SPECTrum:START:AUTO	Sets or queries the spectrum offset mode (automatic or manual).
[SENSe]:SPECTrum:TIME:MODE	Sets or queries the spectrum time parameter mode (automatic or manual).
<b>[SENSe]:SPURious subgroup</b>	<b>Spurious measurement</b>
[SENSe]:SPURious:CARRier:{BANDwidth BWIDth}	Sets or queries the channel width for the carrier as power reference.
[SENSe]:SPURious:CARRier:{BANDwidth BWIDth}:INTEgration	Sets or queries the integration bandwidth to calculate the carrier power.
[SENSe]:SPURious:CARRier:{BANDwidth BWIDth}[:RESolution]	Sets or queries the resolution bandwidth to measure the carrier power.

Table 2-22: Sense commands (cont.)

Header	Description
[SENSe]:SPURious:CARRier:{BANDwidth BWIDTH}[:RESolution]:AUTO	Sets or queries whether to set the resolution bandwidth automatically.
[SENSe]:SPURious:CARRier:DETection	Sets or queries the carrier detection method.
[SENSe]:SPURious:CARRier:FREQuency	Sets or queries the carrier frequency.
[SENSe]:SPURious:CARRier:THReshold	Sets or queries the threshold level to detect the carrier.
[SENSe]:SPURious:CLEar:RESults	Restarts multi-trace functions (Average and Max Hold).
[SENSe]:SPURious[:FREQuency]:OVERlap?	Queries whether any of the frequency ranges (A to T) overlap.
[SENSe]:SPURious:LIST	Sets or queries how to list the spurious signals.
[SENSe]:SPURious:MODE	Sets or queries the frequency range mode (Multi or Single).
[SENSe]:SPURious:OPTimization	Sets or queries the method of optimization.
[SENSe]:SPURious:POINts:COUNT	Sets or queries the trace point count for the frequency range.
[SENSe]:SPURious:RANGe<x>:BANDwidth:VIDeo	Sets or queries the VBW for the specified frequency range.
[SENSe]:SPURious:RANGe<x>:BANDwidth:VIDeo:STATe	Sets or queries whether to enable the VBW for the frequency range.
[SENSe]:SPURious:RANGe<x>:DETection	Sets or queries the display detector for the frequency range.
[SENSe]:SPURious:RANGe<x>:EXCURsion	Sets or queries the excursion level in the frequency range.
[SENSe]:SPURious:RANGe<x>:FILTer[:SHAPE]	Sets or queries the filter shape for the frequency range.
[SENSe]:SPURious:RANGe<x>:FILTer[:SHAPE]:BANDwidth	Sets or queries the filter bandwidth for the frequency range.
[SENSe]:SPURious:RANGe<x>:FILTer[:SHAPE]:BANDwidth:AUTO	Sets or queries whether to set the filter bandwidth automatically.
[SENSe]:SPURious:RANGe<x>:FREQuency:START	Sets or queries the start frequency of the range.
[SENSe]:SPURious:RANGe<x>:FREQuency:STOP	Sets or queries the stop frequency of the range.
[SENSe]:SPURious:RANGe<x>:LIMit:ABSolute:START	Sets or queries the absolute start amplitude of the limits for the range.
[SENSe]:SPURious:RANGe<x>:LIMit:ABSolute:STOP	Sets or queries the absolute stop amplitude of the limits for the range.
[SENSe]:SPURious:RANGe<x>:LIMit:MASK	Sets or queries the limit mask function mode for the frequency range.
[SENSe]:SPURious:RANGe<x>:LIMit:RELative:START	Sets or queries the relative start amplitude of the limits for the range.
[SENSe]:SPURious:RANGe<x>:LIMit:RELative:STOP	Sets or queries the relative stop amplitude of the limits for the range.
[SENSe]:SPURious:RANGe<x>:STATe	Sets or queries whether to enable or disable the frequency range.
[SENSe]:SPURious:RANGe<x>:THReshold	Sets or queries the threshold level to detect spurious signals in a range.
[SENSe]:SPURious:REFerence	Sets or queries the power reference.
[SENSe]:SPURious:REFerence:MANual:POWer	Sets or queries the reference power level.
<b>[SENSe]:SQUality subgroup</b>	<b>Signal quality</b>
[SENSe]:SQUality:EVM:ALL[:STATe]	Sets or queries the display of Offset EVM results.
<b>[SENSe]:TOVerview subgroup</b>	<b>Time overview</b>
[SENSe]:TOVerview:FREQuency:CENTer	Sets or queries the center frequency.
[SENSe]:TOVerview:MAXTracepoints	Sets or queries the maximum trace points.

Table 2-22: Sense commands (cont.)

Header	Description
<b>[SENSe]:USETtings subgroup</b>	<b>All measurements</b>
<a href="#">[SENSe]:USETtings</a>	Updates the analyzer settings.

# Status Commands

Use the STATUS commands to control registers defined in the SCPI status reporting structure.

**Table 2-23: Status commands**

Header	Description
<a href="#">STATUS:ACPower:EVENTs?</a>	Returns the current events for the ACPR measurement.
<a href="#">STATUS:{AM FM PM}:EVENTs?</a>	Returns the current events for the AM/FM/PM measurement.
<a href="#">STATUS:AUDio:SPECTrum:EVENTs?</a>	Returns the current events and status conditions for the audio measurement.
<a href="#">STATUS:AUDio:SUMMary:EVENTs?</a>	Returns the current events and status conditions for the audio measurement.
<a href="#">STATUS:AVTime:EVENTs?</a>	Returns the current events for the Amplitude versus Time measurement.
<a href="#">STATUS:CCDF:EVENTs?</a>	Returns the current events for the CCDF measurement.
<a href="#">STATUS:CONSte:EVENTs?</a>	Returns the current events for the Constellation measurement.
<a href="#">STATUS:DIQVtime:EVENTs?</a>	Returns the current events for the Demod I&Q versus Time measurement.
<a href="#">STATUS:DPX:EVENTs?</a>	Returns the current events for the DPX spectrum measurement.
<a href="#">STATUS:DPX:EVENTs?</a>	Returns the current events for the DPX spectrum measurement.
<a href="#">STATUS:EDiagram:EVENTs?</a>	Returns the current events for the Eye diagram measurement.
<a href="#">STATUS:EVM:EVENTs?</a>	Returns the current events for the EVM versus Time measurement.
<a href="#">STATUS:FDVTime:EVENTs?</a>	Returns the current events for the Freq deviation versus Time measurement.
<a href="#">STATUS:{FSETtling PSETtling}:EVENTs?</a>	Returns the current events for the specified settling time measurement.
<a href="#">STATUS:FVTime:EVENTs?</a>	Returns the current events for the Frequency versus Time measurement.
<a href="#">STATUS:IQVTime:EVENTs?</a>	Returns the current events for the RF I&Q versus Time measurement.
<a href="#">STATUS:MCPower:EVENTs?</a>	Returns the current events for the MCPR measurement.
<a href="#">STATUS:MERRor:EVENTs?</a>	Returns the current events for the Mag error versus Time measurement.
<a href="#">STATUS:OBWidth:EVENTs?</a>	Returns the current events for the Occupied Bandwidth measurement.
<a href="#">STATUS:OFDM:CONSte:EVENTs?</a>	Returns the current events and status condition for the OFDM Constellation measurement.
<a href="#">STATUS:OFDM:EVM:EVENTs?</a>	Returns the current events and status condition for the OFDM EVM (Error Vector Magnitude) versus Time measurement.
<a href="#">STATUS:OFDM:MERRor:EVENTs?</a>	Returns the current events and status condition for the OFDM Magnitude versus Time measurement.
<a href="#">STATUS:OFDM:PERRor:EVENTs?</a>	Returns the current events and status condition for the OFDM Phase error versus Time measurement.
<a href="#">STATUS:OFDM:POWer:EVENTs?</a>	Returns the current events and status condition for the OFDM Power measurement.
<a href="#">STATUS:OFDM:STABle:EVENTs?</a>	Returns the current events and status condition for the OFDM Symbol table measurement.
<a href="#">STATUS:OPERation:CONDition?</a>	Queries the contents of the OCR.
<a href="#">STATUS:OPERation:ENABle</a>	Sets or queries the mask for the OENR.



Table 2-23: Status commands (cont.)

Header	Description
STATus:OPERation[:EVENT]?	Queries the contents of the OEVR.
STATus:OPERation:NTRansition	Sets or queries the value of the negative transition filter.
STATus:OPERation:PTRansition	Sets or queries the value of the positive transition filter.
STATus:PERRor:EVENTs?	Returns the current events for the Phase error measurement.
STATus:PHVTime:EVENTs?	Returns the current events for the Phase versus Time measurement.
STATus:PNOise:EVENTs?	Returns the current events for the phase noise measurement.
STATus:PRESet	Presets a status byte.
STATus:PULSe:RESult:EVENTs?	Returns the current events for the pulse table measurement.
STATus:PULSe:STATistics:EVENTs?	Returns the current events for the pulse statistics measurement.
STATus:PULSe:TRACe:EVENTs?	Returns the current events for the pulse trace measurement.
STATus:QUEStionable:CONDition?	Queries the contents of the QCR.
STATus:QUEStionable:ENABle	Sets or queries the mask for the OENR.
STATus:QUEStionable[:EVENT]?	Queries the contents of the QER.
STATus:QUEStionable:NTRansition	Sets or queries the value of the negative transition filter.
STATus:QUEStionable:PTRansition	Sets or queries the value of the positive transition filter.
STATus:QUEStionable:CALibration:CONDition?	Queries the contents of the questionable calibration condition register.
STATus:QUEStionable:CALibration:ENABle	Sets or queries the mask for the questionable calibration enable register.
STATus:QUEStionable:CALibration[:EVENT]?	Queries the contents of the questionable calibration event register.
STATus:QUEStionable:CALibration:NTRansition	Sets or queries the value of the negative transition filter.
STATus:QUEStionable:CALibration:PTRansition	Sets or queries the value of the positive transition filter.
STATus:QUEStionable:FREQuency:CONDition?	Queries the contents of the questionable frequency condition register.
STATus:QUEStionable:FREQuency:ENABle	Sets or queries the mask for the questionable frequency enable register.
STATus:QUEStionable:FREQuency[:EVENT]?	Queries the contents of the questionable frequency event register.
STATus:QUEStionable:FREQuency:NTRansition	Sets or queries the value of the negative transition filter.
STATus:QUEStionable:FREQuency:PTRansition	Sets or queries the value of the positive transition filter.
STATus:SEM:EVENTs?	Returns the current events and status conditions for the Spectral Emissions Mask measurement.
STATus:SGRAM:EVENTs?	Returns the current events for the spectrogram measurement.
STATus:SPECTrum:EVENTs?	Returns the current events for the spectrum measurement.
STATus:SPURious:EVENTs?	Returns the current events for the spurious measurement.
STATus:SQUality:EVENTs?	Returns the current events for the signal quality measurement.
STATus:TDLIagram:EVENTs?	Returns the current events for the trellis diagram measurement.

# System Commands

Use the SYSTem commands to set or query system parameters for operation.

**Table 2-24: System commands**

Header	Description
<a href="#">SYSTem:COMMunicate:GPIB[:SELF]:ADDRess</a>	Sets or queries the GPIB address of the instrument.
<a href="#">SYSTem:DATE</a>	Sets or queries the current date.
<a href="#">SYSTem:ERRor:ALL?</a>	Queries all the error or event information.
<a href="#">SYSTem:ERRor:CODE:ALL?</a>	Queries all the error or event codes.
<a href="#">SYSTem:ERRor:CODE[:NEXT]?</a>	Queries the latest error or event information.
<a href="#">SYSTem:ERRor:COUNt?</a>	Queries the number of errors or events.
<a href="#">SYSTem:ERRor[:NEXT]?</a>	Queries the latest error or event information.
<a href="#">SYSTem:KLOCK</a>	Enables or disables the local lockout operation.
<a href="#">SYSTem:OPTions?</a>	Queries optional information.
<a href="#">SYSTem:PRESet</a>	Restores the analyzer to the defaults.
<a href="#">SYSTem:PRESet:APPLication</a>	Restores the analyzer to the defaults for the application preset type.
<a href="#">SYSTem:PRESet:APPLication:ACTion</a>	Sets or queries the preset action for the application preset type.
<a href="#">SYSTem:PRESet:APPLication:SELected</a>	Sets or queries the presets for the application preset type.
<a href="#">SYSTem:PRESet:DPX</a>	Presets the analyzer.
<a href="#">SYSTem:PRESet:DPX:ACTion</a>	Sets or queries the preset action for the DPX preset type.
<a href="#">SYSTem:PRESet:DPX:SELected</a>	Sets or queries the presets for the DPX preset type.
<a href="#">SYSTem:PRESet:MAIN</a>	Restores the analyzer to the defaults.
<a href="#">SYSTem:PRESet:MAIN:ACTion</a>	Sets or queries the preset action for the main preset type.
<a href="#">SYSTem:PRESet:MAIN:SELected</a>	Sets or queries the presets for the main preset type.
<a href="#">SYSTem:PRESet:USER</a>	Restores the analyzer to the defaults for the user preset type.
<a href="#">SYSTem:PRESet:USER:ACTion</a>	Sets or queries the preset action for the user preset type.
<a href="#">SYSTem:PRESet:USER:SELected</a>	Sets or queries the presets for the user preset type.
<a href="#">SYSTem:TIME</a>	Sets or queries the current time.
<a href="#">SYSTem:VERSion?</a>	Queries the version of the SCPI.

# Trace Commands

Use the TRACe commands to select trace type and to control trace arithmetic.

Table 2-25: Trace commands

Header	Description
<b>TRACe:{AM FM PM} subgroup</b>	<b>AM/FM/PM measurement</b>
TRACe:{AM FM PM}	Determines whether or not to show the trace.
TRACe:{AM FM PM}:DETection	Sets or queries the display detector, the method to be used for decimating traces to fit the available horizontal space on screen.
TRACe<x>:AVTime:DETection	Sets or queries the display detector.
TRACe:{AM FM PM}:FREeze	Sets or queries whether or not to freeze the trace display.
TRACe:{AM FM PM}:FUNction	Sets or queries the trace function.
<b>TRACe&lt;x&gt;:AVTime subgroup</b>	<b>Amplitude versus time measurement</b>
TRACe<x>:AVTime	Sets or queries whether or not to show the specified trace.
TRACe:{FSEtting PSEtting}:AVERAge:COUNT	Sets or queries the number of traces to combine for averaging.
TRACe<x>:AVTime:AVERAge:RESet	Clears the average data and resets the average counter.
TRACe<x>:AVTime:COUNT	Sets or queries the count for the Max or Min Hold trace.
TRACe<x>:AVTime:COUNT:ENABLE	Sets or queries whether or not to enable the count for Max/Min Hold.
TRACe<x>:AVTime:COUNT:RESet	Clears the Max or Min Hold data and counter, and restarts the process.
TRACe<x>:AVTime:FREeze	Sets or queries whether or not to freeze the display of the trace.
TRACe<x>:AVTime:FUNction	Sets or queries the trace function.
TRACe<x>:AVTime:LEFTooperand	Sets or queries the left operand for the math trace.
TRACe<x>:AVTime:RIghTooperand	Sets or queries the right operand for the math trace.
TRACe<x>:AVTime:SElect	Sets or queries the trace number to display the readout.
<b>TRACe&lt;x&gt;:CCDF subgroup</b>	<b>CCDF measurement</b>
TRACe<x>:CCDF:FREeze	Sets or queries whether or not to freeze the display of the trace.
TRACe<x>:CCDF:SElect	Sets or queries the trace number to display the readout.
TRACe<x>:CCDF:SHOW	Sets or queries whether to show or hide the trace.
TRACe<x>:CCDF:X	Sets or queries the horizontal position of the measurement pointer.
TRACe<x>:CCDF:Y?	Queries the vertical position (CCDF value) of the measurement pointer.
<b>TRACe:CONSte subgroup (Option 21 only)</b>	<b>Constellation measurement</b>
TRACe:CONSte:MODE	Sets or queries how to display the constellation trace.
<b>TRACe:DIQVtime subgroup (Option 21 only)</b>	<b>Demodulated I&amp;Q versus time measurement</b>
TRACe:DIQVtime:ENABLE:I	Sets or queries whether to show or hide the trace I.
TRACe:DIQVtime:ENABLE:Q	Determines whether to show or hide the Q trace.
TRACe:DIQVtime:MODE	Sets or queries whether to display the Demod I&Q vs Time trace as vectors or symbols.
TRACe:DIQVtime:SElect:I	Selects the I trace.

Table 2-25: Trace commands (cont.)

Header	Description
TRACe:DIQVtime:SElect:Q	Selects the Q trace.
<b>TRACe&lt;x&gt;:DPX subgroup</b>	<b>DPX spectrum measurement</b>
TRACe<x>:DPX	Sets or queries whether or not to show the waveform.
TRACe<x>:DPX:AVERAge:COUNT	Sets or queries the number of traces to combine for averaging.
TRACe<x>:DPX:COLor:CURVe	Sets or queries the color intensity.
TRACe<x>:DPX:COLor:INTensity	Sets or queries the color intensity in the DPX spectrum view.
TRACe<x>:DPX:COLor:SCALE:AUTO	Automatically adjusts the Max and Min color settings to display the broadest range of colors.
TRACe<x>:DPX:DETEction	Sets or queries the function.
TRACe<x>:DPX:DGRAM:SElect:LINE	Sets or queries a line in the DPXogram display to send to the DPX spectrum display.
TRACe<x>:DPX:DOT:PERSistent	Sets or queries whether to enable or disable the dot persistence.
TRACe<x>:DPX:DOT:PERSistent:TYPE	Sets or queries the persistence type.
TRACe<x>:DPX:DOT:PERSistent:VARiable	Sets or queries the length of time that data points are displayed.
TRACe<x>:DPX:FREeze	Sets or queries whether or not to freeze the display of the trace.
TRACe<x>:DPX:FUNCTion	Sets or queries the trace function for the in the DPX spectrum view.
TRACe<x>:DPX:LEFToperand	Sets or queries the left operand for the math trace.
TRACe<x>:DPX:RIGHToperand	Sets or queries the right operand for the math trace.
TRACe<x>:DPX:SElect	Sets or queries the trace number to display the readout.
<b>TRACe:EDIagram subgroup (Option 21 only)</b>	<b>Eye diagram</b>
TRACe:EDIagram:ENABLE:I	Sets or queries whether to show or hide the trace I.
TRACe:EDIagram:ENABLE:Q	Sets or queries whether to show or hide the trace Q.
TRACe:EDIagram:SElect:I	Selects the I trace.
TRACe:EDIagram:SElect:Q	Selects the Q trace.
<b>TRACe:EVM subgroup</b>	<b>EVM measurement</b>
TRACe:EVM:MODE	Sets or queries whether to display the EVM vs Time trace as vectors or symbols.
<b>TRACe:FDVTime subgroup</b>	<b>Frequency deviation versus time measurement</b>
TRACe:FDVTime:MODE	Sets or queries whether to display the Frequency Deviation vs Time trace as vectors or symbols.
<b>TRACe:FVTime subgroup</b>	<b>Frequency versus time measurement</b>
TRACe:FVTime	Sets or queries whether or not to show the trace.
TRACe:FVTime:AVERAge:COUNT	Sets or queries the number of traces to combine for averaging.
TRACe:FVTime:COUNT	Sets or queries the count for the Max or Min Hold trace.
TRACe:FVTime:COUNT:ENABLE	Sets or queries whether or not to enable the count for Max/Min Hold.
TRACe:FVTime:COUNT:RESet	Clears the Max or Min Hold data and counter, and restarts the process.
TRACe<x>:FVTime:DETEction	Enables or queries the type of detection for the specified trace.
TRACe:FVTime:FREeze	Sets or queries whether or not to freeze the display of the trace.

Table 2-25: Trace commands (cont.)

Header	Description
TRACe:FVTime:FUNctIon	Sets or queries the trace function.
<b>TRACe:IQVTime subgroup</b>	<b>RF I&amp;Q versus time measurement</b>
TRACe:IQVTime:AVERAge:COUNT	Sets or queries the number of traces to combine for averaging.
TRACe:IQVTime:COUNT	Sets or queries the count for the Max or Min Hold trace.
TRACe:IQVTime:COUNT:ENABle	Determines whether to enable or disable the count for the Max or Min Hold trace.
TRACe:IQVTime:DETEction	Sets or queries whether or not to enable the count for Max/Min Hold.
TRACe:IQVTime:COUNT:RESEt	Clears the Max or Min Hold data and counter, and restarts the process.
TRACe:IQVTime:ENABle:I	Sets or queries whether to show or hide the trace I.
TRACe:IQVTime:ENABle:Q	Sets or queries whether to show or hide the trace Q.
TRACe:IQVTime:FREEze	Sets or queries whether to freeze the IQ traces.
TRACe:IQVTime:FUNctIon	Sets or queries the trace function.
TRACe:IQVTime:SELEct:I	Sets or queries whether to choose the I trace.
TRACe:IQVTime:SELEct:Q	Sets or queries whether to choose the Q trace.
<b>TRACe:MERRor subgroup</b>	<b>Magnitude Error measurement</b>
TRACe:MERRor:MODE	Sets or queries whether to display the Magnitude error trace as vectors or symbols.
<b>TRACe:OBWidth subgroup</b>	<b>Occupied Bandwidth measurement</b>
TRACe:OBW:MAXHold	Determines whether to enable or disable the Max Hold trace.
<b>TRACe:OFDM subgroup</b>	<b>OFDM measurements</b>
TRACe:OFDM:CONSte	Determines whether or not to show the trace.
TRACe:OFDM:CONSte:FREEze	Determines whether or not to freeze the display of the trace.
TRACe<x>:OFDM:EVM	Determines whether or not to show the specified trace.
TRACe<x>:OFDM:EVM:FREEze	Determines whether or not to freeze the display of the specified trace.
TRACe<x>:OFDM:EVM:SELEct	Sets or queries the specified trace to display.
TRACe<x>:OFDM:MERRor	Determines whether or not to show the specified trace.
TRACe<x>:OFDM:MERRor:FREEze	Determines whether or not to freeze the display of the specified trace.
TRACe<x>:OFDM:MERRor:SELEct	Sets or queries the specified trace to display.
TRACe<x>:OFDM:PERRor	Determines whether or not to show the specified trace.
TRACe<x>:OFDM:PERRor:FREEze	Determines whether or not to freeze the display of the specified trace.
TRACe<x>:OFDM:PERRor:SELEct	Sets or queries the specified trace to display.
TRACe<x>:OFDM:POWer	Determines whether or not to show the specified trace.
TRACe<x>:OFDM:POWer:FREEze	Determines whether or not to freeze the display of the specified trace.
TRACe<x>:OFDM:POWer:SELEct	Sets or queries the specified trace to display.
<b>TRACe:PERRpr subgroup</b>	<b>Phase Error measurement</b>
TRACe:PERRor:MODE	Sets or queries whether to display the Frequency Deviation vs Time trace as vectors or symbols.

Table 2-25: Trace commands (cont.)

Header	Description
<b>TRACe:PHVTime subgroup</b>	<b>Phase versus time measurement</b>
TRACe:PHVTime	Sets or queries whether or not to show the trace.
TRACe:PHVTime:AVERAge:COUNT	Sets or queries the number of traces to combine for averaging.
TRACe:PHVTime:COUNT	Sets or queries the count for the Max or Min Hold trace.
TRACe:PHVTime:COUNT:ENABLE	Sets or queries whether or not to enable the count for Max/Min Hold.
TRACe:PHVTime:COUNT:RESet	Clears the Max or Min Hold data and counter, and restarts the process.
TRACe<x>:PHVTime:DETEction	Sets or queries the display detector.
TRACe<x>:{FSETtling PSETtling}:FREeze	Sets or queries whether to freeze the trace.
TRACe:PHVTime:FUNCTion	Sets or queries the trace function.
<b>TRACe:PNOise subgroup (Option 11 only)</b>	<b>Phase noise measurement</b>
TRACe<x>:{FSETtling PSETtling}:SElect	Selects a trace or queries the currently selected trace.
TRACe<x>:{FSETtling PSETtling}:SHOW	Sets or queries whether to show or hide the trace.
TRACe:{FSETtling PSETtling}:AVERAge:ENABLE	Sets or queries the number of data points for smoothing the trace.
TRACe<x>:PNOise:SMOothing:ENABLE	Sets or queries whether to enable smoothing the specified trace.
TRACe<x>:PNOise:SMOothing:RESet	Restarts the smoothing process.
<b>TRACe:{FSETtling PSETtling} subgroup (Option 12 only)</b>	<b>Settling time measurements</b>
TRACe:{FSETtling PSETtling}:AVERAge:COUNT	Sets or queries the number of traces to combine.
TRACe:{FSETtling PSETtling}:AVERAge:COUNT:CURRENT?	Queries the current running average count value.
TRACe:{FSETtling PSETtling}:AVERAge:ENABLE	Determines whether to enable or disable averaging the trace(s).
TRACe:{FSETtling PSETtling}:RESet	If trace averaging is enabled, this command resets the current averaged trace to 0.
TRACe:{FSETtling PSETtling}:SMOothing:COUNT	Sets or queries the number of data points to take the moving average for smoothing the traces.
TRACe:{FSETtling PSETtling}:SMOothing:ENABLE	Determines whether to enable or disable smoothing the trace(s).
TRACe<x>:{FSETtling PSETtling}:FREeze	Determines whether to freeze the specified trace in the Settling Time measurement display.
TRACe<x>:{FSETtling PSETtling}:SElect	Selects the trace in the settling time measurement.
TRACe<x>:{FSETtling PSETtling}:SHOW	Determines whether to show or hide the specified trace in the settling time view.
<b>TRACe:SEM subgroup</b>	<b>Spectral Emissions Mask measurements</b>
TRACe:SEM:COUNT	Sets or queries how many acquisitions run in the single acquisition mode for multi-trace functions.
TRACe:SEM:COUNT:RESet	Clears the multi-function data and counter and restarts the process.
TRACe:SEM:FUNCTion	Sets or queries the trace function.
<b>TRACe:SGRam subgroup</b>	<b>Spectrogram measurement</b>
TRACe:SGRam:DETEction	Sets or queries the method to be used for decimating traces to fit the on screen.

Table 2-25: Trace commands (cont.)

Header	Description
TRACe:SGRam:FREeze	Sets or queries whether or not to freeze the spectrogram display.
TRACe:SGRam:FUNCTion	Sets or queries the trace function for the specified trace in the spectrogram.
TRACe:SGRam:FUNCTion:TIME	Sets or queries the number of traces to combine for the trace function.
TRACe:SGRam:SELEct:LINE	Sets or queries the line number to send to the spectrum display.
<b>TRACe&lt;x&gt;:SPECtrum subgroup</b>	<b>Spectrum measurement</b>
TRACe<x>:SPECtrum	Sets or queries whether to show or hide the specified trace.
TRACe<x>:SPECtrum:AVERAge:COUNT	Sets or queries the number of traces to combine for averaging.
TRACe<x>:SPECtrum:AVERAge:RESet	Clears the average data and resets the average counter.
TRACe<x>:SPECtrum:COUNT	Sets or queries the count for the Max or Min Hold trace.
TRACe<x>:SPECtrum:COUNT:ENABLE	Sets or queries whether or not to enable the count for Max/Min Hold.
TRACe<x>:SPECtrum:COUNT:RESet	Clears the Max or Min Hold data and counter, and restarts the process.
TRACe<x>:SPECtrum:DETEction	Sets or queries the display detector.
TRACe<x>:SPECtrum:FREeze	Sets or queries whether or not to freeze the display of the trace.
TRACe<x>:SPECtrum:FUNCTion	Sets or queries the trace function.
TRACe<x>:SPECtrum:LEFToperand	Sets or queries the left operand for the math trace.
TRACe<x>:SPECtrum:RIGHToperand	Sets or queries the right operand for the math trace.
TRACe<x>:SPECtrum:SELEct	Sets or queries the trace number to display the readout.
<b>TRACe:SPURious subgroup</b>	<b>Spurious measurement</b>
TRACe:SPURious:COUNT	Sets or queries the count for the Max Hold or Average trace.
TRACe:SPURious:COUNT:ENABLE	Sets or queries whether to enable the count for Max Hold or Average.
TRACe:SPURious:COUNT:RESet	Clears Max Hold or Average data and counter, and restarts the process.
TRACe:SPURious:FREeze	Determines whether or not to freeze the display of the trace.
TRACe:SPURious:FUNCTion	Sets or queries the trace function.
<b>TRACe:TOVerview subgroup</b>	<b>All measurements</b>
TRACe1:TOVerview	Enables display of or queries the display status of the specified trace.
TRACe1:TOVerview:AVERAge:COUNT	Sets or queries the number of traces averaged to generate the specified trace.
TRACe1:TOVerview:COUNT	Enables or queries the count set for the specified trace.
TRACe1:TOVerview:COUNT:ENABLE	Enables or queries the Average count for the specified trace.
TRACe1:TOVerview:COUNT:RESet	Sets or queries whether or not to freeze the display of the trace.
TRACe1:TOVerview:DETEction	Enables or queries the type of detection for the specified trace.
TRACe1:TOVerview:FREeze	Enables or queries a halt to acquisition updates for the specified trace.
TRACe1:TOVerview:FUNCTion	Enables or queries the selected Function for the specified trace.

## Trace Mnemonics

Multiple traces can be used in some measurement displays. The traces are specified by the trace specifier TRACe<x> (<x>=1 to 5) which is defined for each measurement display as follows.

**Table 2-26: Trace mnemonics**

Measurement display	TRACe1	TRACe2	TRACe3	TRACe4	TRACe5
Amplitude versus Time	Trace 1	Trace 2	Math trace	NA	NA
CCDF	Trace 1	Trace 2	Gaussian curve	NA	NA
DPX spectrum	+Peak trace	-Peak trace	Average trace	Math trace	Bitmap trace
Phase noise	Trace 1	Trace 2	NA	NA	NA
Spectrum	Trace 1	Trace 2	Trace 3	Math trace	Spectrogram

**NOTE.** *Valid traces depend on commands. Refer to each command description.*



# Trigger commands

Use the TRIGger commands to set up the trigger system.

Table 2-27: Trigger commands

Header	Description
TRIGger:DPX:SHOW:FRAMes	Sets or queries whether to trigger each segment in the swept mode.
TRIGger:MASK:NEW	Loads a new frequency mask.
TRIGger:MASK:NEW:AUTO	Draws a new frequency mask automatically.
TRIGger:MASK:OPEN	Opens a trigger mask with a specified file.
TRIGger:MASK:SAVE	Saves the current trigger mask to a specified file.
TRIGger[:SEQuence]:ADVanced:HOLDoff	FIRST Sets or queries the trigger holdoff time.
TRIGger[:SEQuence]:ADVanced:HOLDoff:ENABle	Sets or queries the trigger delay time.
TRIGger[:SEQuence]:ADVanced:SWEEp:MODE	Determines whether or not to trigger each segment in the swept acquisition mode.
TRIGger[:SEQuence]:ADVanced:SWEEp:SEGment:ENABle	Determines whether or not to wait for a trigger for each acquisition in a swept spectrum.
TRIGger[:SEQuence]:EVENT:INPut:DDENsity:AMPLitude	Sets or queries the center vertical level for the density trigger region.
TRIGger[:SEQuence]:EVENT:EXTFront:IMPedance	Sets or queries the impedance of the external trigger input (front).
TRIGger[:SEQuence]:EVENT:EXTFront:LEVel	Sets or queries the trigger level at the external trigger input (front).
TRIGger[:SEQuence]:EVENT:EXTFront:SLOPe	Sets or queries the trigger slope of the external trigger input (front).
TRIGger[:SEQuence]:EVENT:EXTRear:SLOPe	Sets or queries the trigger slope of the external trigger input (rear).
TRIGger[:SEQuence]:EVENT:GATed	Sets or queries the logic for the gated trigger input.
TRIGger[:SEQuence]:EVENT:INPut:FMASK: BANDwidth BWIDTH[:RESolution]:ACTual?	Sets or queries when the trigger occurs in the frequency mask trigger.
TRIGger[:SEQuence]:EVENT:INPut:DDENsity: AMPLitude:TOLerance	Sets or queries the trigger level for the RF input level trigger.
TRIGger[:SEQuence]:EVENT:INPut:RUNT:PULse:HIGH: LEVel	Sets or queries the trigger slope for the RF input level trigger.
TRIGger[:SEQuence]:EVENT:INPut:TDBWidth	Sets or queries the time-domain bandwidth.
TRIGger[:SEQuence]:EVENT:INPut:TDBWidth:ACTual?	Queries the actual time-domain bandwidth.
TRIGger[:SEQuence]:EVENT:INPut:TDBWidth:STATe	Determines whether to set the time-domain bandwidth automatically.
TRIGger[:SEQuence]:EVENT:INPut:TYPE	Sets or queries the trigger type for the source of RF input.
TRIGger[:SEQuence]:EVENT:SOURce	Sets or queries the trigger event source.
TRIGger[:SEQuence]:FORCed	Sets or queries whether to causes a manual trigger.
TRIGger[:SEQuence]:IMMEDIATE	Causes a trigger immediately.
TRIGger[:SEQuence]:EVENT:INPut:DDENsity: FREQuency	Sets or queries the center horizontal level for the density trigger region.
TRIGger[:SEQuence]:EVENT:INPut:DDENsity: FREQuency:TOLerance	Sets or queries the left and right extensions of the density trigger region from the center horizontal level.
TRIGger[:SEQuence]:EVENT:INPut:DDENsity:THReshold	Sets or queries the DPX Density threshold that defines a trigger event.

Table 2-27: Trigger commands (cont.)

Header	Description
TRIGger[:SEquence]:EVENT:INPut:DDENsity:VIOLation	Sets or queries whether a density value higher or lower than the THReshold value defines a trigger event.
TRIGger[:SEquence]:EVENT:INPut:FEDGE:SLOPe	Sets or queries the trigger slope of the frequency edge input.
TRIGger[:SEquence]:EVENT:INPut:FEDGE:LEVel	Sets or queries the trigger level at the frequency edge input.
TRIGger[:SEquence]:EVENT:INPut:FEDGE:LEVel:ACTual?	Queries the actual length of the frequency edge input for the DPX measurement.
TRIGger[:SEquence]:EVENT:INPut:FEDGE:THReshold:LEVel	Set or queries the threshold level in the DPX measurement.
TRIGger:DPX:TDM:SHOW:ALL	Sets or queries the selections of the DPX Prefs control panel tab page.
TRIGger[:SEquence]:EVENT:INPut:FEDGE:THReshold:STATE	Set or queries the threshold state in the DPX measurement.
TRIGger[:SEquence]:EVENT:INPut:FMASK:{BANDwidth BWIDth};RESolution]	ets or queries the Resolution Bandwidth value to be used in the spectrum view for the frequency mask trigger.
TRIGger[:SEquence]:EVENT:INPut:FMASK:BANDwidth BWIDth;RESolution]:AUTO	Sets or queries whether to automatically set the Resolution Bandwidth value used in the spectrum view for the frequency mask trigger.
TRIGger[:SEquence]:EVENT:INPut:FMASK:VIOLation	Sets or queries when the analyzer triggers in the frequency mask trigger.
TRIGger[:SEquence]:EVENT:INPut:LEVel	Sets or queries the trigger level for the RF input level trigger.
TRIGger[:SEquence]:EVENT:INPut:RUNT:PULSe	Sets or queries the Runt trigger for a positive or negative going pulse.
TRIGger[:SEquence]:EVENT:INPut:RUNT:PULSe:LOW:LEVel	Sets or queries the lower level (second threshold) to qualify a Runt trigger.
TRIGger[:SEquence]:EVENT:INPut:SLOPe	Sets or queries the trigger slope for the RF input level trigger.
TRIGger[:SEquence]:STATUS	Sets or queries the trigger mode (Free Run or Triggered).
TRIGger[:SEquence]:TIME:DELay	Sets or queries the trigger delay time.
TRIGger[:SEquence]:TIME:QUALified	LAST Sets or queries the timing qualification setting for triggers.
TRIGger[:SEquence]:TIME:QUALified:TIME<x>	Sets or queries the trigger mode (Free Run or Triggered).
TRIGger[:SEquence]:TIME:POSition	Sets or queries the trigger position.
TRIGger[:Sequence]:TIME:POSition:AUTO	Sets or queries the position of the trigger event (automatic or manual) within the acquisition record.

---

# Unit Commands

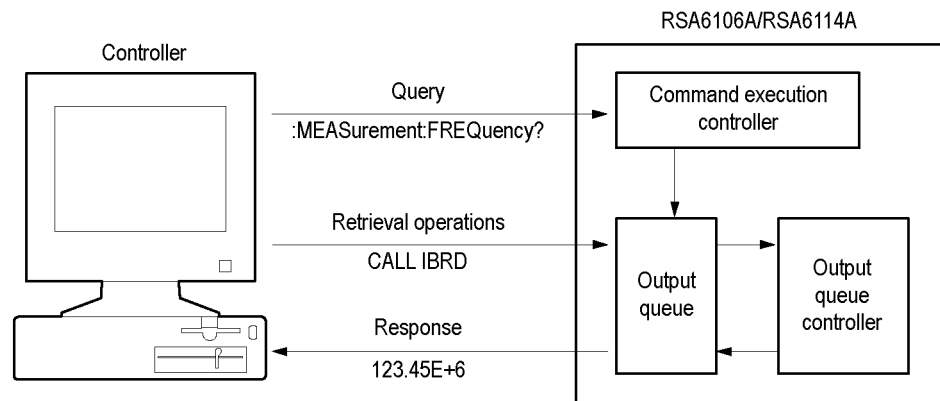
Specify fundamental units for measurement.

**Table 2-28: Unit commands**

<b>Header</b>	<b>Description</b>
<a href="#">UNIT:POWer</a>	Sets or queries the unit of power.

## Retrieving Response Message

When receiving a query command from the external controller, the analyzer puts the response message on the Output Queue. This message cannot be retrieved unless you perform retrieval operations through the external controller. (For example, call the IBRD subroutine included in the GPIB software of National Instruments.)



**Figure 2-5: Retrieving response message**

When the Output Queue contains a response message, sending another command from the external controller before retrieving this message deletes it from the queue. The Output Queue always contains the response message to the most recent query command.

You can use the MAV bit of the Status Byte Register (SBR) to check whether the Output Queue contains a response message. For details, refer to *Status Byte Register (SBR)*.

---

# Command Descriptions

## ABORt (No Query Form)

Resets the trigger system and places all trigger sequences in the idle state. Any actions related to the trigger system that are in progress, such as a sweep or acquiring a measurement is also aborted.

To start data acquisition, use the INITiate commands.

<b>Conditions</b>	Measurement views: All
<b>Group</b>	Abort commands
<b>Syntax</b>	ABORt
<b>Related Commands</b>	INITiate:CONTinuous, INITiate:RESume
<b>Arguments</b>	None
<b>Examples</b>	ABORt resets the trigger system and stops data acquisition.

## \*CAL (Query Only)

Instructs the analyzer to perform an internal self-alignment and return its status.

---

**NOTE.** *The self-alignment can take several minutes to respond. No other commands will be executed until alignment is complete.*

---

<b>Conditions</b>	Measurement views: All
<b>Group</b>	IEEE common commands
<b>Syntax</b>	*CAL
<b>Returns</b>	<NR1>=1 indicates that the alignment was successful. <NR1>=0 indicates that the alignment was unsuccessful.

**Examples** \*CAL performs an internal self-alignment and will return 1 if the alignment is successful.

## CALCulate:ACPower:MARKer<x>:DELTA:X? (Query Only)

Returns the delta marker frequency for the selected marker in the Channel power and ACPR measurement.

The parameter <x> = 1 to 4; MARKer0 (reference marker) is invalid. The specified marker must be activated using the [CALCulate:MARKer:ADD](#) command.

**Conditions** Measurement views: Channel power and ACPR

**Group** Calculate commands

**Syntax** CALCulate:ACPower:MARKer<x>:DELTA:X?

**Related Commands** [CALCulate:MARKer:ADD](#), [CALCulate:ACPower:MARKer<x>:DELTA:Y?](#)

**Returns** <NRf> Delta marker frequency for the selected marker.

**Examples** CALCULATE:ACPOWER:MARKER1:DELTA:X? might return 1.28E+6, indicating that the delta marker frequency is 1.28 MHz.

## CALCulate:ACPower:MARKer<x>:DELTA:Y? (Query Only)

Returns the delta marker amplitude for the selected marker in the Channel power and ACPR measurement.

The parameter <x> = 1 to 4; MARKer0 (reference marker) is invalid. The specified marker must be activated using the [CALCulate:MARKer:ADD](#) command.

**Conditions** Measurement views: Channel power and ACPR

**Group** Calculate commands

**Syntax** CALCulate:ACPower:MARKer<x>:DELTA:Y?

**Related Commands**    [CALCulate:MARKer:ADD](#), [CALCulate:ACPower:MARKer<x>:DELTA:X?](#)

**Returns**    <NRf> Delta marker amplitude for the selected marker.

**Examples**    `CALCULATE:ACPOWER:MARKER1:DELTA:Y?` might return 23.45, indicating that the delta marker amplitude is 23.45 dB.

## **CALCulate:ACPower:MARKer<x>:MAXimum (No Query Form)**

Moves the selected marker to the highest peak on the trace in the Channel power and ACPR measurement.

**Conditions**    Measurement views: Channel power and ACPR

**Group**    Calculate commands

**Syntax**    `CALCulate:ACPower:MARKer<x>:MAXimum`

**Arguments**    None

**Examples**    `CALCULATE:ACPOWER:MARKER1:MAXIMUM` moves Marker 1 (M1) to the highest peak on the trace.

## **CALCulate:ACPower:MARKer<x>:PEAK:LEFT (No Query Form)**

Moves the selected marker to the next peak to the left on the trace in the Channel power and ACPR measurement.

**Conditions**    Measurement views: Channel power and ACPR

**Group**    Calculate commands

**Syntax**    `CALCulate:ACPower:MARKer<x>:PEAK:LEFT`

**Related Commands**    [CALCulate:ACPower:MARKer<x>:PEAK:RIGHT](#)

**Arguments** None

**Examples** CALCULATE:ACPOWER:MARKER1:PEAK:LEFT moves Marker 1 (M1) to the next peak to the left on the trace.

## CALCulate:ACPowEr:MARKer<x>:PEAK:RIGHT (No Query Form)

Moves the selected marker to the next peak to the right on the trace in the Channel power and ACPR measurement.

**Conditions** Measurement views: Channel power and ACPR

**Group** Calculate commands

**Syntax** CALCulate:ACPowEr:MARKer<x>:PEAK:RIGHT

**Related Commands** [CALCulate:ACPowEr:MARKer<x>:PEAK:LEFT](#)

**Arguments** None

**Examples** CALCULATE:ACPOWER:MARKER1:PEAK:RIGHT moves Marker 1 (M1) to the next peak to the right on the trace.

## CALCulate:ACPowEr:MARKer<x>:X

Sets or queries the horizontal position of the selected marker in the Channel power and ACPR measurement.

**Conditions** Measurement views: Channel power and ACPR

**Group** Calculate commands

**Syntax** CALCulate:ACPowEr:MARKer<x>:X <value>  
CALCulate:ACPowEr:MARKer<x>:X?

**Related Commands** [CALCulate:ACPowEr:MARKer<x>:Y?](#)



**Arguments** `<value> ::= <Nrf>` specifies the horizontal position of the marker.  
 Range: Start to Stop frequency (left to right edge of the horizontal axis).  
 Using an out-of-range value causes an execution error (-222, "Data out of range").

**Examples** `CALCULATE:ACPOWER:MARKER1:X 800MHZ` places Marker 1 (M1) at 800 MHz on the trace.

## CALCulate:ACPower:MARKer<x>:Y? (Query Only)

Queries the marker amplitude of the selected marker in the Channel power and ACPR measurement.

**Conditions** Measurement views: Channel power and ACPR

**Group** Calculate commands

**Syntax** `CALCulate:ACPower:MARKer<x>:Y?`

**Related Commands** [CALCulate:ACPower:MARKer<x>:X](#)

**Arguments** None

**Returns** `<Nrf>` Marker amplitude of the selected marker.

**Examples** `CALCULATE:ACPOWER:MARKER1:Y` might return `-34.28`, indicating Marker 1 (M1) is at -34.28 dBm.

## CALCulate:{AM|FM|PM}:MARKer<x>:DELTA:X? (Query Only)

Returns the delta marker time for the selected marker in the AM/FM/PM measurement.

The parameter `<x>` = 1 to 4; MARKer0 (reference marker) is invalid. The specified marker must be activated using the [CALCulate:MARKer:ADD](#) command.

**Conditions** Measurement views: General purpose analog demodulation

<b>Group</b>	Calculate commands
<b>Syntax</b>	<code>CALCulate:{AM FM PM}:MARKer&lt;x&gt;:DELTA:X?</code>
<b>Related Commands</b>	<a href="#">CALCulate:{AM FM PM}:MARKer&lt;x&gt;:DELTA:Y?</a>
<b>Arguments</b>	None
<b>Returns</b>	<NRF> Delta marker time for the selected marker.
<b>Examples</b>	<code>CALCULATE:AM:MARKER1:DELTA:X?</code> might return <code>38.0E-6</code> , indicating that the delta marker time is 38.0 $\mu$ s.

## **CALCulate:{AM|FM|PM}:MARKer<x>:DELTA:Y? (Query Only)**

Returns the delta marker amplitude for the selected marker in the AM/FM/PM measurement.

The parameter <x> = 1 to 4; MARKer0 (reference marker) is invalid. The specified marker must be activated using the [CALCulate:MARKer:ADD](#) command.

<b>Conditions</b>	Measurement views: General purpose analog demodulation
<b>Group</b>	Calculate commands
<b>Syntax</b>	<code>CALCulate:{AM FM PM}:MARKer&lt;x&gt;:DELTA:Y?</code>
<b>Related Commands</b>	<a href="#">CALCulate:{AM FM PM}:MARKer&lt;x&gt;:DELTA:X?</a>
<b>Arguments</b>	None
<b>Returns</b>	<NRF> Delta marker amplitude for the selected marker, indicating the difference of modulation factor in percent (AM), frequency deviation in Hz (FM), or phase deviation in degrees (PM) with the reference marker.

**Examples** `CALCULATE:AM:MARKER1:DELTA:Y?` might return `45.82`, indicating that the delta marker amplitude is the modulation factor difference of 45.82% in the AM measurement.

## **CALCulate:{AM|FM|PM}:MARKer<x>:MAXimum (No Query Form)**

Moves the selected marker to the highest peak on the trace in the AM/FM/PM measurement.

**Conditions** Measurement views: General purpose analog demodulation

**Group** Calculate commands

**Syntax** `CALCulate:{AM|FM|PM}:MARKer<x>:MAXimum`

**Arguments** None

**Examples** `CALCULATE:AM:MARKER1:MAXIMUM` moves Marker 1 (M1) to the highest peak on the AM-demodulated trace.

## **CALCulate:{AM|FM|PM}:MARKer<x>:PEAK:HIGHer (No Query Form)**

Moves the selected marker to the next peak higher in amplitude on the trace in the AM/FM/PM measurement.

**Conditions** Measurement views: General purpose analog demodulation

**Group** Calculate commands

**Syntax** `CALCulate:{AM|FM|PM}:MARKer<x>:PEAK:HIGHer`

**Related Commands** [CALCulate:{AM|FM|PM}:MARKer<x>:PEAK:LOWer](#)

**Arguments** None

**Examples** `CALCULATE:AM:MARKER1:PEAK:HIGHER` moves Marker 1 (M1) to the next peak higher in amplitude on the AM-demodulated trace.

## CALCulate:{AM|FM|PM}:MARKer<x>:PEAK:LEFT (No Query Form)

Moves the selected marker to the next peak to the left on the trace in the AM/FM/PM measurement.

<b>Conditions</b>	Measurement views: General purpose analog demodulation
<b>Group</b>	Calculate commands
<b>Syntax</b>	CALCulate:{AM FM PM}:MARKer<x>:PEAK:LEFT
<b>Related Commands</b>	<a href="#">CALCulate:{AM FM PM}:MARKer&lt;x&gt;:PEAK:RIGHT</a>
<b>Arguments</b>	None
<b>Examples</b>	CALCULATE:AM:MARKER1:PEAK:LEFT moves Marker 1 (M1) to the next peak to the left on the AM-demodulated trace.

## CALCulate:{AM|FM|PM}:MARKer<x>:PEAK:LOWER (No Query Form)

Moves the selected marker to the next peak lower in amplitude on the trace in the AM/FM/PM measurement.

<b>Conditions</b>	Measurement views: General purpose analog demodulation
<b>Group</b>	Calculate commands
<b>Syntax</b>	CALCulate:{AM FM PM}:MARKer<x>:PEAK:LOWER
<b>Related Commands</b>	<a href="#">CALCulate:{AM FM PM}:MARKer&lt;x&gt;:PEAK:HIGHER</a>
<b>Arguments</b>	None
<b>Examples</b>	CALCULATE:AM:MARKER1:PEAK:LOWER moves Marker 1 (M1) to the next peak lower in amplitude on the AM-demodulated trace.

## CALCulate:{AM|FM|PM}:MARKer<x>:PEAK:RIGHT (No Query Form)

Moves the selected marker to the next peak to the right on the trace in the AM/FM/PM measurement.

**Conditions** Measurement views: General purpose analog demodulation

**Group** Calculate commands

**Syntax** CALCulate:{AM|FM|PM}:MARKer<x>:PEAK:RIGHT

**Related Commands** [CALCulate:{AM|FM|PM}:MARKer<x>:PEAK:LEFT](#)

**Arguments** None

**Examples** CALCULATE:AM:MARKER1:PEAK:RIGHT moves Marker 1 (M1) to the next peak to the right on the AM-demodulated trace.

## CALCulate:{AM|FM|PM}:MARKer<x>:X

Sets or queries the horizontal position (time) of the selected marker in the AM/FM/PM measurement.

**Conditions** Measurement views: General purpose analog demodulation

**Group** Calculate commands

**Syntax** CALCulate:{AM|FM|PM}:MARKer<x>:X <value>  
CALCulate:{AM|FM|PM}:MARKer<x>:X?

**Related Commands** [CALCulate:{AM|FM|PM}:MARKer<x>:Y?](#)

**Arguments** <value> ::= <NRf> specifies the horizontal position of the marker.  
Range: (analysis offset) to [(analysis offset) + (analysis length)].

**Examples** CALCULATE:AM:MARKER1:X 1.5us places Marker 1 (M1) at 1.5  $\mu$ s on the AM-demodulated trace.

## CALCulate:{AM|FM|PM}:MARKer<x>:Y? (Query Only)

Queries the marker amplitude of the selected marker in the AM/FM/PM measurement.

<b>Conditions</b>	Measurement views: General purpose analog demodulation
<b>Group</b>	Calculate commands
<b>Syntax</b>	CALCulate:{AM FM PM}:MARKer<x>:Y?
<b>Related Commands</b>	<a href="#">CALCulate:{AM FM PM}:MARKer&lt;x&gt;:X</a>
<b>Arguments</b>	None
<b>Returns</b>	<Nrf> Marker amplitude of the selected marker, indicating the modulation factor in percent (AM), frequency deviation in Hz (FM), or phase deviation in degrees (PM) at the marker.
<b>Examples</b>	CALCULATE:AM:MARKER1:Y? might return 23.4, indicating that Marker 1 (M1) reads the modulation factor of 23.4% in the AM measurement.

## CALCulate:AUDio:HARMonic:HNUMber

Sets or queries the number of harmonics used for the audio measurement. The range of values is an integer from 1 to 20.

<b>Conditions</b>	Measurement views: Audio Spectrum
<b>Group</b>	Calculate commands
<b>Syntax</b>	CALCulate:AUDio:HARMonic:HNUMber <value> CALCulate:AUDio:HARMonic:HNUMber?
<b>Arguments</b>	<value> ::= <NR1> specifies the number of harmonics.

**Examples** CALCULATE:AUDIO:HARMONIC:HNUMBER 20 sets the number of harmonics to 20.

## CALCulate:AUDio:HARMonic:NHNumber

Sets or queries the number of non-harmonics used for the audio measurement. The range of values is an integer from 0 to 20.

**Conditions** Measurement views: Audio Spectrum

**Group** Calculate commands

**Syntax** CALCulate:AUDio:HARMonic:NHNumber <value>  
CALCulate:AUDio:HARMonic:NHNumber?

**Arguments** <value> ::= <NR1> specifies the number of non-harmonics.

**Examples** CALCULATE:AUDIO:HARMONIC:NHNUMBER 20 sets the number of non-harmonics to 20.

## CALCulate:AUDio:NHARmonic:EXCursion

Sets or queries the non-harmonic excursion value. The range of values is 0 dB to 30 dB.

**Conditions** Measurement views: Audio Spectrum

**Group** Calculate commands

**Syntax** CALCulate:AUDio:NHARmonic:EXCursion <value>  
CALCulate:AUDio:NHARmonic:EXCursion?

**Arguments** <value> ::= <NR1> The specifies the non-harmonic excursion value.

**Examples** CALCULATE:AUDIO:NHARMONIC:EXCURSION 6 sets the non-harmonic excursion to 6.0 dB.

## CALCulate:AUDio:NHARmonic:IGNore

Sets or queries the ignore region of the non-harmonics in the audio measurement. The range of the ignore region is from 0 Hz to the audio bandwidth.

<b>Conditions</b>	Measurement views: Audio Spectrum
<b>Group</b>	Calculate commands
<b>Syntax</b>	CALCulate:AUDio:NHARmonic:IGNore <value> CALCulate:AUDio:NHARmonic:IGNore?
<b>Arguments</b>	<value> ::= <NRf> specifies the ignore region.
<b>Examples</b>	CALCULATE:AUDIO:NHARMONIC:IGNORE 1E+3 sets the non-harmonic ignore region to 1.0 kHz.

## CALCulate:AUDio:NHARmonic:THReshold

Sets or queries the non-harmonic threshold value for the audio measurement. The range is from -200 dBc to 0 dBc.

<b>Conditions</b>	Measurement views: Audio Spectrum
<b>Group</b>	Calculate commands
<b>Syntax</b>	CALCulate:AUDio:NHARmonic:THReshold <value> CALCulate:AUDio:NHARmonic:THReshold?
<b>Arguments</b>	<value> ::= <NR1> specifies the threshold value.
<b>Examples</b>	CALCULATE:AUDIO:NHARMONIC:THRESHOLD -100 sets the non-harmonic threshold value to -100 dBc.

## CALCulate:AUDio:SPEctrum:MARKer<x>:DELTA:X? (Query Only)

Returns the delta marker frequency for the selected marker on the spectrum trace.



The parameter `<x>` = 1 to 4. The specified marker must be activated using the [CALCulate:MARKer:ADD](#) command.

<b>Conditions</b>	Measurement views: Audio Spectrum
<b>Group</b>	Calculate commands
<b>Syntax</b>	<code>CALCulate:AUDio:SPECTrum:MARKer&lt;x&gt;:DELTA:X?</code>
<b>Arguments</b>	None
<b>Returns</b>	<code>&lt;NRf&gt;</code> the delta marker frequency for the selected marker.
<b>Examples</b>	<code>CALCulate:AUDio: SPECTrum:MARKer1:DELTA:X?</code> might return <code>5.0020E+3</code> indicating the delta marker frequency is 5.002 kHz.

## CALCulate:AUDio:SPECTrum:MARKer<x>:DELTA:Y? (Query Only)

Returns the delta marker amplitude for the selected marker on the spectrum trace.

The parameter `<x>` = 1 to 4. The specified marker must be activated using the [CALCulate:MARKer:ADD](#) command.

<b>Conditions</b>	Measurement views: Audio Spectrum
<b>Group</b>	Calculate commands
<b>Syntax</b>	<code>CALCulate:AUDio:SPECTrum:MARKer&lt;x&gt;:DELTA:Y?</code>
<b>Related Commands</b>	<a href="#">CALCulate:AUDio:SPECTrum:MARKer&lt;x&gt;:DELTA:X?</a>
<b>Arguments</b>	None
<b>Returns</b>	<code>&lt;NRf&gt;</code> the delta marker amplitude for the selected marker.
<b>Examples</b>	<code>CALCulate:AUDio:SPECTrum:MARKer1:DELTA:Y?</code> might return <code>3.435</code> indicating that the delta marker amplitude is 3.435 dB.

## CALCulate:AUDio:SPECTrum:MARKer<x>:MAXimum (No Query Form)

Moves the selected marker to the highest peak on the spectrum trace.

<b>Conditions</b>	Measurement views: Audio Spectrum
<b>Group</b>	Calculate commands
<b>Syntax</b>	CALCulate:AUDio:SPECTrum:MARKer<x>:MAXimum
<b>Arguments</b>	None
<b>Examples</b>	CALCulate:AUDio:SPECTrum:MARKer1:MAXimum moves Marker 1 (M1) to the highest peak on the trace.

## CALCulate:AUDio:SPECTrum:MARKer<x>:PEAK:HIGHer (No Query Form)

Moves the selected marker to the next peak higher in amplitude on the spectrum trace.

<b>Conditions</b>	Measurement views: Audio Spectrum
<b>Group</b>	Calculate commands
<b>Syntax</b>	CALCulate:AUDio:SPECTrum:MARKer<x>:PEAK:HIGHer
<b>Related Commands</b>	<a href="#">CALCulate:AUDio:SPECTrum:MARKer&lt;x&gt;:PEAK:LOWer</a>
<b>Arguments</b>	None
<b>Examples</b>	CALCulate:AUDio:SPECTrum:MARKer1:PEAK:HIGHer moves Marker 1 (M1) to the next higher peak in amplitude on the trace.

## CALCulate:AUDio:SPECTrum:MARKer<x>:PEAK:LEFT (No Query Form)

Moves the selected marker to the next peak to the left on the spectrum trace.

---

<b>Conditions</b>	Measurement views: Audio Spectrum
<b>Group</b>	Calculate commands
<b>Syntax</b>	<code>CALCulate:AUDio:SPECTrum:MARKer&lt;x&gt;:PEAK:LEFT</code>
<b>Related Commands</b>	<a href="#">CALCulate:AUDio:SPECTrum:MARKer&lt;x&gt;:PEAK:RIGHT</a>
<b>Arguments</b>	None
<b>Examples</b>	<code>CALCulate:AUDio:SPECTrum:MARKer1:PEAK:LEFT</code> moves Marker 1 (M1) to the next peak to the left on the trace.

### **CALCulate:AUDio:SPECTrum:MARKer<x>:PEAK:LOWer (No Query Form)**

Moves the selected marker to the next peak lower in amplitude on the spectrum trace.

<b>Conditions</b>	Measurement views: Audio Spectrum
<b>Group</b>	Calculate commands
<b>Syntax</b>	<code>CALCulate:AUDio:SPECTrum:MARKer&lt;x&gt;:PEAK:LOWer</code>
<b>Related Commands</b>	<a href="#">CALCulate:AUDio:SPECTrum:MARKer&lt;x&gt;:PEAK:HIGHer</a>
<b>Arguments</b>	None
<b>Examples</b>	<code>CALCulate:AUDio:SPECTrum:MARKer1:PEAK:LOWer</code> moves Marker 1 (M1) to the next lower peak in amplitude on the trace.

### **CALCulate:AUDio:SPECTrum:MARKer<x>:PEAK:RIGHT (No Query Form)**

Moves the selected marker to the next peak to the right on the spectrum trace.

<b>Conditions</b>	Measurement views: Audio Spectrum
-------------------	-----------------------------------

<b>Group</b>	Calculate commands
<b>Syntax</b>	<code>CALCulate:AUDio:SPECTrum:MARKer&lt;x&gt;:PEAK:RIGHT</code>
<b>Related Commands</b>	<a href="#">CALCulate:AUDio:SPECTrum:MARKer&lt;x&gt;:PEAK:LEFT</a>
<b>Arguments</b>	None
<b>Examples</b>	<code>CALCulate:AUDio:SPECTrum:MARKer1:PEAK:RIGHT</code> moves Marker 1 (M1) to the next peak to the right on the trace.

## **CALCulate:AUDio:SPECTrum:MARKer<x>:TRACe**

Sets or queries the trace on which the specified marker is placed in the spectrum measurement.

<b>Conditions</b>	Measurement views: Audio Spectrum
<b>Group</b>	Calculate commands
<b>Syntax</b>	<code>CALCulate:AUDio:SPECTrum:MARKer&lt;x&gt;:TRACe TRACE1</code> <code>CALCulate:AUDio:SPECTrum:MARKer&lt;x&gt;:TRACe?</code>
<b>Arguments</b>	TRACE1 places the specified marker on Trace 1.
<b>Examples</b>	<code>CALCulate:AUDio:SPECTrum:MARKer1 TRACE1</code> places Marker 1 (M1) on Trace 1.

## **CALCulate:AUDio:SPECTrum:MARKer<x>:X**

Sets or queries the horizontal position of the selected marker on the spectrum trace.

<b>Conditions</b>	Measurement views: Audio Spectrum
<b>Group</b>	Calculate commands

**Syntax**     `CALCulate:AUDio:SPECTrum:MARKer<x>:X <value>`  
`CALCulate:AUDio:SPECTrum:MARKer<x>:X?`

**Related Commands**     [CALCulate:AUDio:SPECTrum:MARKer<x>:Y?](#)

**Arguments**     `<value>` ::= `<NRf>` specifies the horizontal position of the marker. Range: Start to Stop frequency (left to right edge of the horizontal axis). Using an out-of-range value causes an execution error (-222, "Data out of range").

**Examples**     `CALCulate:AUDio:SPECTrum:MARKer1:X 800` places Marker 1 (M1) at 800 Hz on the spectrum trace.

## CALCulate:AUDio:SPECTrum:MARKer<x>:Y? (Query Only)

Queries the marker amplitude of the selected marker on the spectrum trace.

**Conditions**     Measurement views: Audio Spectrum

**Group**     Calculate commands

**Syntax**     `CALCulate:AUDio:SPECTrum:MARKer<x>:Y?`

**Related Commands**     [CALCulate:AUDio:SPECTrum:MARKer<x>:X](#)

**Arguments**     None

**Returns**     `<NRf>` the marker amplitude for the selected marker.

**Examples**     `CALCulate:AUDio:SPECTrum:MARKer1:Y?` might return 53.818 indicating that Marker 1 (M1) is at 53.818 dBm.

## CALCulate:AVTime:MARKer<x>:DELTA:X? (Query Only)

Returns the delta marker time for the selected marker in the Amplitude versus Time measurement.

The parameter <x> = 1 to 4; MARKer0 (reference marker) is invalid. The specified marker must be activated using the [CALCulate:MARKer:ADD](#) command.

<b>Conditions</b>	Measurement views: Amplitude versus Time
<b>Group</b>	Calculate commands
<b>Syntax</b>	CALCulate:AVTime:MARKer<x>:DELTA:X?
<b>Related Commands</b>	<a href="#">CALCulate:MARKer:ADD</a> , <a href="#">CALCulate:AVTime:MARKer&lt;x&gt;:DELTA:Y?</a>
<b>Returns</b>	<NRF> Delta marker time for the selected marker.
<b>Examples</b>	CALCULATE:AVTIME:MARKER1:DELTA:X? might return 38.0E-9, indicating that the delta marker time is 38.0 ns.

## CALCulate:AVTime:MARKer<x>:DELTA:Y? (Query Only)

Returns the delta marker amplitude for the selected marker in the Amplitude versus Time measurement.

The parameter <x> = 1 to 4; MARKer0 (reference marker) is invalid. The specified marker must be activated using the [CALCulate:MARKer:ADD](#) command.

<b>Conditions</b>	Measurement views: Amplitude versus Time
<b>Group</b>	Calculate commands
<b>Syntax</b>	CALCulate:AVTime:MARKer<x>:DELTA:Y?
<b>Related Commands</b>	<a href="#">CALCulate:MARKer:ADD</a> , <a href="#">CALCulate:AVTime:MARKer&lt;x&gt;:DELTA:X?</a>
<b>Returns</b>	<NRF> Delta marker amplitude for the selected marker.
<b>Examples</b>	CALCULATE:AVTIME:MARKER1:DELTA:Y? might return 23.45, indicating that the delta marker amplitude is 23.45 dB.

## CALCulate:AVTime:MARKer<x>:MAXimum (No Query Form)

Moves the selected marker to the highest peak on the trace in the Amplitude versus Time measurement.

**Conditions** Measurement views: Amplitude versus Time

**Group** Calculate commands

**Syntax** CALCulate:AVTime:MARKer<x>:MAXimum

**Arguments** None

**Examples** CALCULATE:AVTIME:MARKER1:MAXIMUM moves Marker 1 (M1) to the highest peak on the trace.

## CALCulate:AVTime:MARKer<x>:PEAK:HIGHer (No Query Form)

Moves the selected marker to the next peak higher in amplitude on the Amplitude versus Time trace.

**Conditions** Measurement views: Amplitude versus Time

**Group** Calculate commands

**Syntax** CALCulate:AVTime:MARKer<x>:PEAK:HIGHer

**Related Commands** [CALCulate:AVTime:MARKer<x>:PEAK:LOWer](#)

**Arguments** None

**Examples** CALCULATE:AVTIME:MARKER1:PEAK:HIGHER moves Marker 1 (M1) to the next peak higher in amplitude on the trace.

## CALCulate:AVTime:MARKer<x>:PEAK:LEFT (No Query Form)

Moves the selected marker to the next peak to the left on the trace in the Amplitude versus Time measurement.

**Conditions** Measurement views: Amplitude versus Time

**Group** Calculate commands

**Syntax** CALCulate:AVTime:MARKer<x>:PEAK:LEFT

**Related Commands** [CALCulate:AVTime:MARKer<x>:PEAK:RIGHT](#)

**Arguments** None

**Examples** CALCulate:AVTime:MARKer1:PEAK:LEFT moves Marker 1 (M1) to the next peak to the left on the trace.

## CALCulate:AVTime:MARKer<x>:PEAK:LOWer (No Query Form)

Moves the selected marker to the next peak lower in amplitude on the Amplitude versus Time trace.

**Conditions** Measurement views: Amplitude versus Time

**Group** Calculate commands

**Syntax** CALCulate:AVTime:MARKer<x>:PEAK:LOWer

**Related Commands** [CALCulate:AVTime:MARKer<x>:PEAK:HIGHer](#)

**Arguments** None

**Examples** CALCULATE:AVTIME:MARKER1:PEAK:LOWER moves Marker 1 (M1) to the next peak lower in amplitude on the trace.



## CALCulate:AVTime:MARKer<x>:PEAK:RIGHT (No Query Form)

Moves the selected marker to the next peak to the right on the trace in the Amplitude versus Time measurement.

**Conditions** Measurement views: Amplitude versus Time

**Group** Calculate commands

**Syntax** CALCulate:AVTime:MARKer<x>:PEAK:RIGHT

**Related Commands** [CALCulate:AVTime:MARKer<x>:PEAK:LEFT](#)

**Arguments** None

**Examples** CALCULATE:AVTIME:MARKER1:PEAK:RIGHT moves Marker 1 (M1) to the next peak to the right on the trace.

## CALCulate:AVTime:MARKer<x>:TRACe

Sets or queries the trace on which the specified marker is placed in the Amplitude versus Time measurement.

**Conditions** Measurement views: Amplitude versus Time

**Group** Calculate commands

**Syntax** CALCulate:AVTime:MARKer<x>:TRACe { TRACE1 | TRACE2 | TRACE3  
| TRACE4 }  
CALCulate:AVTime:MARKer<x>:TRACe?

**Arguments** TRACE1 places the selected marker on Trace 1.  
TRACE2 places the selected marker on Trace 2.  
TRACE3 places the selected marker on Trace 3.  
TRACE4 places the selected marker on Trace 4 (math trace).

**Examples**     `CALCULATE:AVTIME:MARKER1:TRACE TRACE1` places Marker 1 (M1) on Trace 1.

## CALCulate:AVTime:MARKer<x>:X

Sets or queries the horizontal position of the selected marker in the Amplitude versus Time measurement.

The parameter <x> = 1 to 4; MARKer0 (reference marker) is invalid. The specified marker must be activated using the [CALCulate:MARKer:ADD](#) command.

**Conditions**     Measurement views: Amplitude versus Time

**Group**     Calculate commands

**Syntax**     `CALCulate:AVTime:MARKer<x>:X <value>`  
`CALCulate:AVTime:MARKer<x>:X?`

**Related Commands**     [CALCulate:AVTime:MARKer<x>:Y?](#)

**Arguments**     `<value>::=<NRF>` specifies the horizontal position of the marker.  
 Range: (analysis offset) to [(analysis offset) + (analysis length)].

**Examples**     `CALCULATE:AVTIME:MARKER1:X 1.5U` places Marker 1 (M1) at 1.5  $\mu$ s on the trace.

## CALCulate:AVTime:MARKer<x>:Y? (Query Only)

Queries the marker amplitude of the selected marker in the Amplitude versus Time measurement.

The parameter <x> = 1 to 4; MARKer0 (reference marker) is invalid. The specified marker must be activated using the [CALCulate:MARKer:ADD](#) command.

**Conditions**     Measurement views: Amplitude versus Time

**Group**     Calculate commands

**Syntax**     `CALCulate:AVTime:MARKer<x>:Y?`

**Related Commands**     [CALCulate:AVTime:MARKer<x>:X](#)

**Arguments**     None

**Returns**     <Nrf> Marker amplitude of the selected marker.

**Examples**     `CALCULATE:AVTIME:MARKER1:Y?` might return `-2.73`, indicating Marker 1 (M1) is at `-2.73` dBm.

## **CALCulate:CONSte:MARKer<x>:DELTA:X[:TIME]? (Query Only)**

Returns the delta marker time for the selected marker on the constellation trace.

The parameter <x> = 1 to 4; MARKer0 (reference marker) is invalid. The specified marker must be activated using the [CALCulate:MARKer:ADD](#) command.

**Conditions**     Measurement views: Constellation

**Group**     Calculate commands

**Syntax**     `CALCulate:CONSte:MARKer<x>:DELTA:X[:TIME]?`

**Returns**     <Nrf> Delta marker time for the selected marker.  
The unit can be changed by the [\[SENSe\]:DDEMod:TIME:UNITS](#) command.

**Examples**     `CALCULATE:CONSTE:MARKER1:DELTA:X:TIME?` might return `-62.75`, indicating that the delta marker time is `-62.75` symbols.

## **CALCulate:CONSte:MARKer<x>:FDEVIation? (Query Only)**

Queries the frequency deviation of the selected marker in the constellation measurement for an FSK modulated signal.

The parameter <x> = 0 to 4. The specified marker must be activated using the [CALCulate:MARKer:ADD](#) command.

<b>Conditions</b>	The command is valid for 2, 4, 8, 16 FSK or C4FM modulated signals.
<b>Group</b>	Calculate commands
<b>Syntax</b>	<code>CALCulate:CONSte:MARKer&lt;x&gt;:FDEVIation?</code>
<b>Related Commands</b>	<a href="#">CALCulate:CONSte:MARKer&lt;x&gt;:MAGNitude?</a> <a href="#">CALCulate:CONSte:MARKer&lt;x&gt;:PHASe?</a>
<b>Arguments</b>	None
<b>Returns</b>	<NRF>The frequency deviation readout for the selected marker.
<b>Examples</b>	<code>CALCulate:CONSte:MARKer1:FDEVIation?</code> might return <code>102.824E+3</code> , indicating the frequency deviation readout of Marker 1 (M1) is 102.824kHz.

## CALCulate:CONSte:MARKer<x>:MAGNitude? (Query Only)

Queries the magnitude readout of the selected marker in the constellation measurement.

The parameter <x> = 1 to 4; MARKer0 (reference marker) is invalid. The specified marker must be activated using the [CALCulate:MARKer:ADD](#) command.

<b>Conditions</b>	Measurement views: Constellation
<b>Group</b>	Calculate commands
<b>Syntax</b>	<code>CALCulate:CONSte:MARKer&lt;x&gt;:MAGNitude?</code>
<b>Related Commands</b>	<a href="#">CALCulate:CONSte:MARKer&lt;x&gt;:X</a>
<b>Arguments</b>	None
<b>Returns</b>	<NRF> The magnitude readout for the selected marker.

**Examples**    `CALCulate:CONStE:MARKer1:MAGNitude?` might return 0.713927, indicating the magnitude readout of Marker 1 (M1) is 0.713927.

## **CALCulate:CONStE:MARKer<x>:MAXimum (No Query Form)**

Positions the selected marker at the symbol in the center of the time record.

The parameter <x> = 1 to 4; MARKer0 (reference marker) is invalid. The specified marker must be activated using the [CALCulate:MARKer:ADD](#) command.

**Conditions**    Measurement views: Constellation

**Group**        Calculate commands

**Syntax**        `CALCulate:CONStE:MARKer<x>:MAXimum`

**Arguments**    None

**Examples**    `CALCulate:CONStE:MARKer1:MAXimum` positions Marker 1 (M1) at the symbol in the center of the time record.

## **CALCulate:CONStE:MARKer<x>:PEAK:LEFT (No Query Form)**

Moves the selected marker in the time domain to the next lower symbol number, relative to the previous marker position.

The parameter <x> = 1 to 4; MARKer0 (reference marker) is invalid. The specified marker must be activated using the [CALCulate:MARKer:ADD](#) command.

**Conditions**    Measurement views: Constellation

**Group**        Calculate commands

**Syntax**        `CALCulate:CONStE:MARKer<x>:PEAK:LEFT`

**Related Commands**    [CALCulate:CONStE:MARKer<x>:PEAK:RIGHT](#)

**Arguments** None

**Examples** `CALCulate:CONStE:MARKer1:PEAK:LEFT` moves Marker 1 (M1) in the time domain to the next lower symbol number.

## **CALCulate:CONStE:MARKer<x>:PEAK:RIGHT (No Query Form)**

Moves the selected marker in the time domain to the next higher symbol number, relative to the previous marker position.

The parameter <x> = 1 to 4; MARKer0 (reference marker) is invalid. The specified marker must be activated using the [CALCulate:MARKer:ADD](#) command.

**Conditions** Measurement views: Constellation

**Group** Calculate commands

**Syntax** `CALCulate:CONStE:MARKer<x>:PEAK:RIGHT`

**Related Commands** [CALCulate:CONStE:MARKer<x>:PEAK:LEFT](#)

**Arguments** None

**Examples** `CALCulate:CONStE:MARKer1:PEAK:RIGHT` moves the Marker 1 (M1) in the time domain to the next higher symbol number.

## **CALCulate:CONStE:MARKer<x>:PHASe? (Query Only)**

Queries the phase readout of the selected marker in the constellation measurement.

The parameter <x> = 1 to 4; MARKer0 (reference marker) is invalid. The specified marker must be activated using the [CALCulate:MARKer:ADD](#) command.

**Conditions** Measurement views: Constellation

**Group** Calculate commands

**Syntax**     `CALCulate:CONStE:MARKer<x>:PHASe?`

**Related Commands**     [CALCulate:CONStE:MARKer<x>:X](#)

**Arguments**     None

**Returns**     <NRf> The phase readout for the selected marker.

**Examples**     `CALCulate:CONStE:MARKer1:PHASe` might return `35.74`, indicating the phase readout of Marker 1 (M1) is `35.74 °`.

## **CALCulate:CONStE:MARKer<x>:SYMBol? (Query Only)**

Queries the symbol readout of the selected marker in the constellation measurement.

The parameter <x> = 1 to 4; MARKer0 (reference marker) is invalid. The specified marker must be activated using the [CALCulate:MARKer:ADD](#) command.

**Conditions**     Measurement views: Constellation

**Group**     Calculate commands

**Syntax**     `CALCulate:CONStE:MARKer<x>:SYMBol?`

**Related Commands**     [CALCulate:CONStE:MARKer<x>:X](#)

**Arguments**     None

**Returns**     <NRf> The symbol readout for the selected marker.

**Examples**     `CALCulate:CONStE:MARKer1:SYMBol?` might return `62.00`, indicating the symbol readout of Marker 1 (M1) is `62`.

## CALCulate:CONStE:MARKer<x>:VALue? (Query Only)

Queries the value readout of the selected marker in the constellation measurement.

The parameter <x> = 1 to 4; MARKer0 (reference marker) is invalid. The specified marker must be activated using the [CALCulate:MARKer:ADD](#) command.

<b>Conditions</b>	Measurement views: Constellation
<b>Group</b>	Calculate commands
<b>Syntax</b>	CALCulate:CONStE:MARKer<x>:VALue?
<b>Related Commands</b>	<a href="#">CALCulate:CONStE:MARKer&lt;x&gt;:X</a>
<b>Arguments</b>	None
<b>Returns</b>	<NRF> The value readout for the selected marker.
<b>Examples</b>	CALCULATE:CONStE:MARKer1:VALue? might return 2.00, indicating the value readout of Marker 1 (M1) is 2.

## CALCulate:CONStE:MARKer<x>:X

Sets or queries the time position of the selected marker on the constellation trace.

The parameter <x> = 1 to 4; MARKer0 (reference marker) is invalid. The specified marker must be activated using the [CALCulate:MARKer:ADD](#) command.

<b>Conditions</b>	Measurement views: Constellation
<b>Group</b>	Calculate commands
<b>Syntax</b>	CALCulate:CONStE:MARKer<x>:X <value> CALCulate:CONStE:MARKer<x>:X?



<b>Related Commands</b>	<a href="#">CALCulate:CONStE:MARKer&lt;x&gt;:MAGNitude?</a> , <a href="#">CALCulate:CONStE:MARKer&lt;x&gt;:PHASe?</a> , <a href="#">CALCulate:CONStE:MARKer&lt;x&gt;:SYMBol?</a>
<b>Arguments</b>	<code>&lt;value&gt; ::= &lt;NRF&gt;</code> specifies the time position of the marker. Range: (analysis offset) to [(analysis offset) + (analysis length)].
<b>Examples</b>	<code>CALCULATE:CONSTE:MARKER1:X -1.63875m</code> places the Marker 1 (M1) at -1.63875 ms on the constellation trace.

## CALCulate:DIQVtime:MARKer<x>:DELTA:X[:TIME]? (Query Only)

Returns the delta marker time for the selected marker on the Demodulated I&Q versus Time trace.

The parameter `<x>` = 1 to 4; MARKer0 (reference marker) is invalid. The specified marker must be activated using the [CALCulate:MARKer:ADD](#) command.

<b>Conditions</b>	Measurement views: Demodulated I&Q versus Time
<b>Group</b>	Calculate commands
<b>Syntax</b>	<code>CALCulate:DIQVtime:MARKer&lt;x&gt;:DELTA:X[:TIME]?</code>

<b>Related Commands</b>	<a href="#">CALCulate:DIQVtime:MARKer&lt;x&gt;:DELTA:Y?</a>
<b>Arguments</b>	None
<b>Returns</b>	<code>&lt;NRF&gt;</code> Delta marker time for the selected marker. Use the <a href="#">[SENSe]:DDEMod:TIME:UNITs</a> command to select the time unit: symbols (default) or seconds.
<b>Examples</b>	<code>CALCULATE:DIQVTIME:MARKER1:DELTA:X:TIME?</code> might return 62.75, indicating that the delta marker time is 62.75 symbols.

## CALCulate:DIQVtime:MARKer<x>:DELTA:Y? (Query Only)

Returns the delta marker amplitude for the selected marker on the Demodulated I&Q versus Time trace.

The parameter  $\langle x \rangle = 1$  to 4; MARKer0 (reference marker) is invalid. The specified marker must be activated using the [CALCulate:MARKer:ADD](#) command.

<b>Conditions</b>	Measurement views: Demodulated I&Q versus Time
<b>Group</b>	Calculate commands
<b>Syntax</b>	<code>CALCulate:DIQVtime:MARKer&lt;x&gt;:DELTA:Y?</code>
<b>Related Commands</b>	<a href="#">CALCulate:DIQVtime:MARKer&lt;x&gt;:DELTA:X[:TIME]?</a>
<b>Arguments</b>	None
<b>Returns</b>	$\langle \text{NRF} \rangle$ Delta marker amplitude for the selected marker in volts.
<b>Examples</b>	<code>CALCULATE:DIQVTIME:MARKER1:DELTA:Y?</code> might return $-78.24\text{E}-3$ , indicating that the delta marker amplitude is $-78.24$ mV.

## **CALCulate:DIQVtime:MARKer<x>:MAXimum (No Query Form)**

Moves the selected marker to the highest peak on the Demodulated I&Q versus Time trace.

The parameter  $\langle x \rangle = 0$  to 4. The specified marker must be activated using the [CALCulate:MARKer:ADD](#) command.

<b>Conditions</b>	Measurement views: Demodulated I&Q versus Time
<b>Group</b>	Calculate commands
<b>Syntax</b>	<code>CALCulate:DIQVtime:MARKer&lt;x&gt;:MAXimum</code>
<b>Arguments</b>	None
<b>Examples</b>	<code>CALCULATE:DIQVTIME:MARKER1:MAXIMUM</code> moves Marker 1 (M1) to the highest peak on the trace.

## CALCulate:DIQVtime:MARKer<x>:PEAK:HIGHer (No Query Form)

Moves the selected marker to the next peak higher in amplitude on the Demodulated I&Q versus Time trace.

The parameter <x> = 0 to 4. The specified marker must be activated using the [CALCulate:MARKer:ADD](#) command.

**Conditions** Measurement views: Demodulated I&Q versus Time

**Group** Calculate commands

**Syntax** CALCulate:DIQVtime:MARKer<x>:PEAK:HIGHer

**Related Commands** [CALCulate:DIQVtime:MARKer<x>:PEAK:LOWer](#)

**Arguments** None

**Examples** CALCULATE:DIQVTIME:MARKER1:PEAK:HIGHER moves Marker 1 (M1) to the next peak higher in amplitude on the trace.

## CALCulate:DIQVtime:MARKer<x>:PEAK:LEFT (No Query Form)

Moves the selected marker to the next peak to the left on the Demodulated I&Q versus Time trace.

The parameter <x> = 0 to 4. The specified marker must be activated using the [CALCulate:MARKer:ADD](#) command.

**Conditions** Measurement views: Demodulated I&Q versus Time

**Group** Calculate commands

**Syntax** CALCulate:DIQVtime:MARKer<x>:PEAK:LEFT

**Related Commands** [CALCulate:DIQVtime:MARKer<x>:PEAK:RIGHT](#)

**Arguments** None

**Examples**     `CALCULATE:DIQVTIME:MARKER1:PEAK:LEFT` moves Marker 1 (M1) to the next peak to the left on the trace.

## **CALCulate:DIQVtime:MARKer<x>:PEAK:LOWer (No Query Form)**

Moves the selected marker to the next peak lower in amplitude on the Demodulated I&Q versus Time trace.

The parameter <x> = 0 to 4. The specified marker must be activated using the [CALCulate:MARKer:ADD](#) command.

**Conditions**     Measurement views: Demodulated I&Q versus Time

**Group**            Calculate commands

**Syntax**          `CALCulate:DIQVtime:MARKer<x>:PEAK:LOWer`

**Related Commands**     [CALCulate:DIQVtime:MARKer<x>:PEAK:HIGHer](#)

**Arguments**        None

**Examples**     `CALCULATE:DIQVTIME:MARKER1:PEAK:LOWER` moves Marker 1 (M1) to the next peak lower in amplitude on the trace.

## **CALCulate:DIQVtime:MARKer<x>:PEAK:RIGHt (No Query Form)**

Moves the selected marker to the next peak to the right on the Demodulated I&Q versus Time trace.

The parameter <x> = 0 to 4. The specified marker must be activated using the [CALCulate:MARKer:ADD](#) command.

**Conditions**     Measurement views: Demodulated I&Q versus Time

**Group**            Calculate commands

**Syntax**          `CALCulate:DIQVtime:MARKer<x>:PEAK:RIGHt`

**Related Commands**     [CALCulate:DIQVtime:MARKer<x>:PEAK:LEFT](#)

<b>Arguments</b>	None
<b>Examples</b>	<code>CALCULATE:DIQVTIME:MARKER1:PEAK:RIGHT</code> moves Marker 1 (M1) to the next peak to the right on the trace.

## CALCulate:DIQVtime:MARKer<x>:TRACe

Places the selected marker on the Demodulated I&Q versus Time trace. The query returns the name of the trace on which the marker resides.

The parameter <x> = 0 to 4. The specified marker must be activated using the [CALCulate:MARKer:ADD](#) command.

**Conditions** Measurement views: Demodulated I&Q versus Time

**Group** Calculate commands

**Syntax** `CALCulate:DIQVtime:MARKer<x>:TRACe <Enum>`  
`CALCulate:DIQVtime:MARKer<x>:TRACe?`

**Related Commands** [CALCulate:IQVTime:MARKer<x>:TRACe](#)

**Arguments** `<Enum> ::= TRACE1 | TRACE2` specifies which trace to place the marker on. TRACE1 specifies the “I” trace and TRACE2 specifies the “Q” trace.

**Returns** For I and Q traces, TRACE1 identifies the “I” trace and TRACE2 identifies the “Q” trace.

**Examples** `CALCulate:DIQVtime:MARKer1:TRACe TRACE1` places Marker 1 (M1) on the I trace.

## CALCulate:DIQVtime:MARKer<x>:X[:TIME]

Sets or queries the horizontal position (time) of the selected marker in the Demodulated I&Q versus Time measurement.

The parameter <x> = Marker 0 to 4. The specified marker must be activated using the [CALCulate:MARKer:ADD](#) command.

**Conditions** Measurement views: Demodulated I&Q versus Time

<b>Group</b>	Calculate commands
<b>Syntax</b>	<code>CALCulate:DIQVtime:MARKer&lt;x&gt;:X[:TIME] &lt;value&gt;</code> <code>CALCulate:DIQVtime:MARKer&lt;x&gt;:X[:TIME]?</code>
<b>Related Commands</b>	<a href="#">CALCulate:DIQVtime:MARKer&lt;x&gt;:Y?</a>
<b>Arguments</b>	<code>&lt;value&gt;::=&lt;NRF&gt;</code> specifies the horizontal position (time) of the marker. Use the <a href="#">[SENSe]:DDEMod:TIME:UNITs</a> command to select the time unit: symbols (default) or seconds.
<b>Examples</b>	<code>CALCULATE:DIQVTIME:MARKER1:X:TIME 38.5</code> places Marker 1 (M1) at 38.5 symbols on the trace.

## CALCulate:DIQVtime:MARKer<x>:Y? (Query Only)

Queries the marker amplitude of the selected marker in the Demod I&Q versus Time measurement.

The parameter `<x>` = Marker 0 to 4. The specified marker must be activated using the [CALCulate:MARKer:ADD](#) command.

<b>Conditions</b>	Measurement views: Demodulated I&Q versus Time
<b>Group</b>	Calculate commands
<b>Syntax</b>	<code>CALCulate:DIQVtime:MARKer&lt;x&gt;:Y?</code>
<b>Related Commands</b>	<a href="#">CALCulate:DIQVtime:MARKer&lt;x&gt;:X[:TIME]</a>
<b>Arguments</b>	None
<b>Returns</b>	<code>&lt;NRF&gt;</code> Marker amplitude of the selected marker in volts.
<b>Examples</b>	<code>CALCulate:DIQVtime:MARKer1:Y?</code> might return <code>25.803E-3</code> , indicating Marker 1 (M1) is at 25.803 mV.

## CALCulate:DPX:MARKer<x>:DELTA:X:AMPLitude? (Query Only)

Returns the delta marker amplitude for the selected marker on the DPX spectrum trace.

The parameter <x> = 1 to 4; MARKer0 (reference marker) is invalid. The specified marker must be activated using the [CALCulate:MARKer:ADD](#) command and attached to the Bitmap trace using the [CALCulate:DPX:MARKer<x>:TRACe](#) command.

**Conditions** Measurement views: DPX spectrum

**Group** Calculate commands

**Syntax** CALCulate:DPX:MARKer<x>:DELTA:X:AMPLitude?

**Related Commands** [CALCulate:DPX:MARKer<x>:X\[:FREQUENCY\]](#), [CALCulate:DPX:MARKer<x>:Y?](#)

**Arguments** None

**Returns** <NRf> Delta marker amplitude for the selected marker in dB.

**Examples** CALCULATE:DPX:MARKER1:DELTA:X:AMPLITUDE? might return 35.12, indicating that the delta marker amplitude is 35.12 dB for Marker 1 (M1).

## CALCulate:DPX:MARKer<x>:DELTA:X[:FREQUENCY]? (Query Only)

Returns the delta marker frequency for the selected marker on the DPX spectrum trace.

The parameter <x> = 1 to 4; MARKer0 (reference marker) is invalid. The specified marker must be activated using the [CALCulate:MARKer:ADD](#) command.

**Conditions** Measurement views: DPX spectrum

**Group** Calculate commands

**Syntax** CALCulate:DPX:MARKer<x>:DELTA:X[:FREQUENCY]?

**Related Commands**    [CALCulate:DPX:MARKer<x>:DELTA:X:AMPLitude?](#), [CALCulate:DPX:MARKer<x>:DELTA:Y?](#)

**Arguments**    None

**Returns**    <NRf> Delta marker frequency for the selected marker in Hz.

**Examples**    `CALCULATE:DPX:MARKER1:DELTA:X?` might return `1.28E+6`, indicating that the delta marker frequency is 1.28 MHz for Marker 1 (M1).

## **CALCulate:DPX:MARKer<x>:DELTA:Y? (Query Only)**

Returns the delta marker amplitude for the selected marker on the DPX spectrum trace.

The parameter <x> = 1 to 4; MARKer0 (reference marker) is invalid. The specified marker must be activated using the [CALCulate:MARKer:ADD](#) command.

**Conditions**    Measurement views: DPX spectrum

**Group**    Calculate commands

**Syntax**    `CALCulate:DPX:MARKer<x>:DELTA:Y?`

**Related Commands**    [CALCulate:DPX:MARKer<x>:DELTA:X\[:FREQUENCY\]?](#)

**Arguments**    None

**Returns**    <NRf> Delta marker amplitude for the selected marker.

**Examples**    `CALCULATE:DPX:MARKER1:DELTA:Y?` might return `23.45`, indicating that the delta marker amplitude is 23.45 dB.

## **CALCulate:DPX:MARKer<x>:MAXimum (No Query Form)**

Moves the selected marker to the highest peak on the DPX spectrum trace.



The parameter <x> = 1 to 4; MARKer0 (reference marker) is invalid. The specified marker must be activated using the [CALCulate:MARKer:ADD](#) command.

<b>Conditions</b>	Measurement views: DPX spectrum
<b>Group</b>	Calculate commands
<b>Syntax</b>	<code>CALCulate:DPX:MARKer&lt;x&gt;:MAXimum</code>
<b>Arguments</b>	None
<b>Examples</b>	<code>CALCULATE:DPX:MARKER1:MAXIMUM</code> moves Marker 1 (M1) to the highest peak on the trace.

## **CALCulate:DPX:MARKer<x>:PEAK:HIGHer (No Query Form)**

Moves the selected marker to the next peak higher in amplitude on the DPX spectrum trace.

The parameter <x> = 1 to 4; MARKer0 (reference marker) is invalid. The specified marker must be activated using the [CALCulate:MARKer:ADD](#) command.

<b>Conditions</b>	Measurement views: DPX spectrum
<b>Group</b>	Calculate commands
<b>Syntax</b>	<code>CALCulate:DPX:MARKer&lt;x&gt;:PEAK:HIGHer</code>
<b>Related Commands</b>	<a href="#">CALCulate:DPX:MARKer&lt;x&gt;:PEAK:LOWer</a>
<b>Arguments</b>	None
<b>Examples</b>	<code>CALCULATE:DPX:MARKER1:PEAK:HIGHER</code> moves Marker 1 (M1) to the next peak higher in amplitude on the trace.

## CALCulate:DPX:MARKer<x>:PEAK:LEFT (No Query Form)

Moves the selected marker to the next peak to the left on the DPX spectrum trace.

The parameter <x> = 1 to 4; MARKer0 (reference marker) is invalid. The specified marker must be activated using the [CALCulate:MARKer:ADD](#) command.

**Conditions** Measurement views: DPX spectrum

**Group** Calculate commands

**Syntax** CALCulate:DPX:MARKer<x>:PEAK:LEFT

**Related Commands** [CALCulate:DPX:MARKer<x>:PEAK:RIGHT](#)

**Arguments** None

**Examples** CALCULATE:DPX:MARKER1:PEAK:LEFT moves Marker 1 (M1) to the next peak to the left on the trace.

## CALCulate:DPX:MARKer<x>:PEAK:LOWer (No Query Form)

Moves the selected marker to the next peak lower in amplitude on the DPX spectrum trace.

The parameter <x> = 1 to 4; MARKer0 (reference marker) is invalid. The specified marker must be activated using the [CALCulate:MARKer:ADD](#) command.

**Conditions** Measurement views: DPX spectrum

**Group** Calculate commands

**Syntax** CALCulate:DPX:MARKer<x>:PEAK:LOWer

**Related Commands** [CALCulate:DPX:MARKer<x>:PEAK:HIGHer](#)

**Arguments** None

**Examples**     `CALCULATE:DPX:MARKER1:PEAK:LOWER` moves Marker 1 (M1) to the next peak lower in amplitude on the trace.

## **CALCulate:DPX:MARKer<x>:PEAK:RIGHT (No Query Form)**

Moves the selected marker to the next peak to the right on the DPX spectrum trace.

The parameter <x> = 1 to 4; MARKer0 (reference marker) is invalid. The specified marker must be activated using the [CALCulate:MARKer:ADD](#) command.

**Conditions**     Measurement views: DPX spectrum

**Group**     Calculate commands

**Syntax**     `CALCulate:DPX:MARKer<x>:PEAK:RIGHT`

**Related Commands**     [CALCulate:DPX:MARKer<x>:PEAK:LEFT](#)

**Arguments**     None

**Examples**     `CALCULATE:DPX:MARKER1:PEAK:RIGHT` moves Marker 1 (M1) to the next peak to the right on the trace.

## **CALCulate:DPX:MARKer<x>[:SET]:CENTER (No Query Form)**

Sets the center frequency to the marker frequency in the DPX spectrum view.

The parameter <x> = 1 to 4; MARKer0 (reference marker) is invalid. The specified marker must be activated using the [CALCulate:MARKer:ADD](#) command.

**Conditions**     Measurement views: DPX spectrum

**Group**     Calculate commands

**Syntax**     `CALCulate:DPX:MARKer<x>[:SET]:CENTER`

**Arguments** None

**Examples** `CALCULATE:DPX:MARKER1:SET:CENTER` sets the center frequency to the marker frequency in the DPX spectrum view.

## CALCulate:DPX:MARKer<x>:TRACe

Sets or queries the trace to attach the specified marker to in the DPX spectrum measurement.

The parameter <x> = 1 to 4; MARKer0 (reference marker) is invalid. The specified marker must be activated using the [CALCulate:MARKer:ADD](#) command.

**Conditions** Measurement views: DPX spectrum

**Group** Calculate commands

**Syntax** `CALCulate:DPX:MARKer<x>:TRACe { BITMAP | TRACE1 | TRACE2 | TRACE3 | TRACE4 }`  
`CALCulate:DPX:MARKer<x>:TRACe?`

**Arguments** BITMAP attaches the specified marker to the Bitmap trace.  
 TRACE1 attaches the specified marker to the +Peak trace.  
 TRACE2 attaches the specified marker to the -Peak trace.  
 TRACE3 attaches the specified marker to the Average trace.  
 TRACE4 attaches the specified marker to the Math trace.

**Examples** `CALCULATE:DPX:MARKER1:TRACE TRACE1` attaches Marker 1 (M1) to the +Peak trace.

## CALCulate:DPX:MARKer<x>:X:AMPLitude

Sets or queries the amplitude position of the selected marker in the DPX spectrum view. This command is valid for the marker on the bitmap trace (refer to the [CALCulate:DPX:MARKer<x>:TRACe](#) command). The frequency position is set by the [CALCulate:DPX:MARKer<x>:X\[:FREQUENCY\]](#) command.

The parameter <x> = 1 to 4; MARKer0 (reference marker) is invalid. The specified marker must be activated using the [CALCulate:MARKer:ADD](#) command.

<b>Conditions</b>	Measurement views: DPX spectrum
<b>Group</b>	Calculate commands
<b>Syntax</b>	<code>CALCulate:DPX:MARKer&lt;x&gt;:X:AMPLitude &lt;value&gt;</code> <code>CALCulate:DPX:MARKer&lt;x&gt;:X:AMPLitude?</code>
<b>Arguments</b>	<value> ::= <NRF> specifies the amplitude position of the marker. Range: -100 to 0 dBm.
<b>Examples</b>	<code>CALCULATE:DPX:MARKER1:X:AMPLITUDE -34.5dBm</code> places Marker 1 (M1) at -34.5 dBm.

## **CALCulate:DPX:MARKer<x>:X[:FREQUENCY]**

Sets or queries the frequency position of the selected marker in the DPX spectrum view.

The parameter <x> = 1 to 4; MARKer0 (reference marker) is invalid. The specified marker must be activated using the [CALCulate:MARKer:ADD](#) command.

The command is only valid for the Spectrum and Frequency plots.

<b>Conditions</b>	Measurement views: DPX spectrum
<b>Group</b>	Calculate commands
<b>Syntax</b>	<code>CALCulate:DPX:MARKer&lt;x&gt;:X[:FREQUENCY] &lt;value&gt;</code> <code>CALCulate:DPX:MARKer&lt;x&gt;:X[:FREQUENCY]?</code>
<b>Related Commands</b>	<a href="#">CALCulate:DPX:MARKer&lt;x&gt;:Y?</a>
<b>Arguments</b>	<value> ::= <NRF> specifies the frequency position of the marker. Range: Start to Stop frequency (left to right edge of the horizontal axis). Using an out-of-range value causes an execution error (-222, "Data out of range").

**Examples**     `CALCULATE:DPX:MARKER1:X:FREQUENCY 800MHZ` places Marker 1 (M1) at 800 MHz on the trace.

## CALCulate:DPX:MARKer<x>:Y? (Query Only)

Queries the vertical position of the selected marker in the DPX spectrum view. The data occurrence rate is returned for the bitmap trace, and the amplitude value for the +peak, -peak, average, and math traces. The horizontal position can be set by the [CALCulate:DPX:MARKer<x>:X:AMPLitude](#) and [CALCulate:DPX:MARKer<x>:X\[:FREQUENCY\]](#) commands.

The parameter <x> = 1 to 4; MARKer0 (reference marker) is invalid. The specified marker must be activated using the [CALCulate:MARKer:ADD](#) command.

**Conditions**     Measurement views: DPX spectrum

**Group**     Calculate commands

**Syntax**     `CALCulate:DPX:MARKer<x>:Y?`

**Arguments**     None

**Returns**     <NRF>The value type depends on which trace the marker is placed on (refer to the [CALCulate:DPX:MARKer<x>:TRACe](#) command):

The amplitude value is returned in dBm for the marker on the +peak, -peak, average, or math trace. The data occurrence rate is returned in percent (%) for the marker on the bitmap trace.

**Examples**     `CALCULATE:DPX:MARKER1:Y?` might return `-34.28` indicating Marker 1 (M1) is at -34.28 dBm when it is placed on the +peak, -peak, average, or math trace.

`CALCULATE:DPX:MARKER1:Y?` might return `76.5` indicating Marker 1 (M1) is at 76.5% when it is placed on the bitmap trace.

## CALCulate:DPX:MARKer<x>:X:PHASe

Sets or queries the phase position of the selected marker in the DPX phase plot.

The parameter <x> = 0 to 4. The specified marker must be activated using the [CALCulate:MARKer:ADD](#) command.

<b>Conditions</b>	Measurement views: DPX spectrum
<b>Group</b>	Calculate commands
<b>Syntax</b>	<code>CALCulate:DPX:MARKer&lt;x&gt;:X:PHASE &lt;value&gt;</code> <code>CALCulate:DPX:MARKer&lt;x&gt;:X:PHASE?</code>
<b>Arguments</b>	<code>&lt;value&gt;::&lt;NRf&gt;</code> phase setting in degrees for the specified marker.
<b>Examples</b>	<code>CALCulate:DPX:MARKer0:X:PHASE?</code> might return <code>94.0000000</code> indicating the phase for the reference marker (M0) is $94.00^\circ$ .

## CALCulate:DPX:MARKer<x>:X:TIME

Sets or queries the time position of the selected marker in the DPX spectrum view. The parameter `<x>` = 0 to 4. The specified marker must be activated using the [CALCulate:MARKer:ADD](#) command. The command is valid for the Amplitude, Frequency, and Phase plots.

<b>Conditions</b>	Measurement views: DPX spectrum
<b>Group</b>	Calculate commands
<b>Syntax</b>	<code>CALCulate:DPX:MARKer&lt;x&gt;:X:TIME &lt;value&gt;</code> <code>CALCulate:DPX:MARKer&lt;x&gt;:X:TIME?</code>
<b>Arguments</b>	<code>&lt;value&gt;::&lt;NRf&gt;</code> Time position of the specified marker.
<b>Examples</b>	<code>CALCulate:DPX:MARKer0:X:TIME?</code> might return <code>1.000000000E-3</code> indicating the time position of the reference marker (MR0) is 1.000 ms.

## CALCulate:EDiagram:MARKer<x>:DELTA:X[:TIME]? (Query Only)

Returns the delta marker time for the selected marker on the eye diagram trace.

The parameter `<x>` = 1 to 4; MARKer0 (reference marker) is invalid. The specified marker must be activated using the [CALCulate:MARKer:ADD](#) command.

<b>Conditions</b>	Measurement views: Eye diagram
<b>Group</b>	Calculate commands
<b>Syntax</b>	<code>CALCulate:EDIagram:MARKer&lt;x&gt;:DELTA:X[:TIME]?</code>
<b>Related Commands</b>	<a href="#">CALCulate:EDIagram:MARKer&lt;x&gt;:DELTA:Y?</a>
<b>Arguments</b>	None
<b>Returns</b>	<NRf> Delta marker time for the selected marker. Use the <a href="#">[SENSe]:DDEMod:TIME:UNITs</a> command to select the time unit: symbols (default) or seconds.
<b>Examples</b>	<code>CALCulate:EDIagram:MARKer1:DELTA:X:TIME?</code> might return 62.75, indicating that the delta marker time is 62.75 symbols.

## CALCulate:EDIagram:MARKer<x>:DELTA:Y? (Query Only)

Returns the delta marker amplitude for the selected marker on the eye diagram trace.

The parameter <x> = 1 to 4; MARKer0 (reference marker) is invalid. The specified marker must be activated using the [CALCulate:MARKer:ADD](#) command.

<b>Conditions</b>	Measurement views: Eye diagram
<b>Group</b>	Calculate commands
<b>Syntax</b>	<code>CALCulate:EDIagram:MARKer&lt;x&gt;:DELTA:Y?</code>
<b>Related Commands</b>	<a href="#">CALCulate:EDIagram:MARKer&lt;x&gt;:DELTA:X[:TIME]?</a>
<b>Arguments</b>	None
<b>Returns</b>	<NRf> Delta marker amplitude for the selected marker.



**Examples**     `CALCULATE:EDIAGRAM:MARKER1:DELTA:Y?` might return `-1.043`, indicating that the delta marker amplitude is `-1.043`.

## **CALCulate:EDIagram:MARKer<x>:MAXimum (No Query Form)**

Moves the selected marker to the highest peak on the eye diagram trace.

The parameter `<x>` = 0 to 4. The specified marker must be activated using the [CALCulate:MARKer:ADD](#) command.

**Conditions**     Measurement views: Eye diagram

**Group**     Calculate commands

**Syntax**     `CALCulate:EDIagram:MARKer<x>:MAXimum`

**Arguments**     None

**Examples**     `CALCULATE:EDIAGRAM:MARKER1:MAXIMUM` moves Marker 1 (M1) to the highest peak on the trace.

## **CALCulate:EDIagram:MARKer<x>:PEAK:HIGHer (No Query Form)**

Moves the selected marker to the next peak higher in amplitude on the eye diagram trace.

The parameter `<x>` = 0 to 4. The specified marker must be activated using the [CALCulate:MARKer:ADD](#) command.

**Conditions**     Measurement views: Eye diagram

**Group**     Calculate commands

**Syntax**     `CALCulate:EDIagram:MARKer<x>:PEAK:HIGHer`

**Related Commands**     [CALCulate:EDIagram:MARKer<x>:PEAK:LOWer](#)

**Arguments**     None

**Examples**     `CALCULATE:EDIAGRAM:MARKER1:PEAK:HIGHER` moves Marker 1 (M1) to the next peak higher in amplitude on the trace.

## **CALCulate:EDIagram:MARKer<x>:PEAK:LEFT (No Query Form)**

Moves the selected marker to the next peak to the left on the eye diagram trace.

The parameter <x> = 0 to 4. The specified marker must be activated using the [CALCulate:MARKer:ADD](#) command.

**Conditions**     Measurement views: Eye diagram

**Group**     Calculate commands

**Syntax**     `CALCulate:EDIagram:MARKer<x>:PEAK:LEFT`

**Related Commands**     [CALCulate:EDIagram:MARKer<x>:PEAK:RIGHT](#)

**Arguments**     None

**Examples**     `CALCULATE:EDIAGRAM:MARKER1:PEAK:LEFT` moves Marker 1 (M1) to the next peak to the left on the trace.

## **CALCulate:EDIagram:MARKer<x>:PEAK:LOWer (No Query Form)**

Moves the selected marker to the next peak lower in amplitude on the eye diagram trace.

The parameter <x> = 0 to 4. The specified marker must be activated using the [CALCulate:MARKer:ADD](#) command.

**Conditions**     Measurement views: Eye diagram

**Group**     Calculate commands

**Syntax**     `CALCulate:EDIagram:MARKer<x>:PEAK:LOWer`

**Related Commands**     [CALCulate:EDIagram:MARKer<x>:PEAK:HIGHer](#)

**Arguments** None

**Examples** `CALCULATE:EDIAGRAM:MARKER1:PEAK:LOWER` moves Marker 1 (M1) to the next peak lower in amplitude on the trace.

## **CALCulate:EDIagram:MARKer<x>:PEAK:RIGHT (No Query Form)**

Moves the selected marker to the next peak to the right on the eye diagram trace.

The parameter `<x>` = 0 to 4. The specified marker must be activated using the [CALCulate:MARKer:ADD](#) command.

**Conditions** Measurement views: Eye diagram

**Group** Calculate commands

**Syntax** `CALCulate:EDIagram:MARKer<x>:PEAK:RIGHT`

**Related Commands** [CALCulate:EDIagram:MARKer<x>:PEAK:LEFT](#)

**Arguments** None

**Examples** `CALCULATE:EDIAGRAM:MARKER1:PEAK:RIGHT` moves Marker 1 (M1) to the next peak to the right on the trace.

## **CALCulate:EDIagram:MARKer<x>:TRACe**

Places the selected marker on the I or Q trace in the eye diagram display. The query returns the name of the trace on which the marker resides. Valid on all modulation types except 2|4|8|16FSK or C4FM.

The parameter `<x>` = 0 to 4. The specified marker must be activated using the [CALCulate:MARKer:ADD](#) command.

**Conditions** Measurement views: Eye diagram

**Group** Calculate commands

**Syntax**      `CALCulate:EDIagram:MARKer<x>:TRACe <Enum>`  
`CALCulate:EDIagram:MARKer<x>:TRACe?`

**Related Commands**    [CALCulate:EDIagram:MARKer<x>:X\[:TIME\]](#)

**Arguments**      `<Enum> ::= TRACE1 | TRACE2` specifies which trace to place the marker on. TRACE1 specifies the “I” trace and TRACE2 specifies the “Q” trace.

**Returns**        For I and Q traces, TRACE1 identifies the “I” trace and TRACE2 identifies the “Q” trace.

**Examples**        `CALCulate:EDIagram:MARKer1:TRACe TRACE1` places Marker 1 (M1) on the I trace in an eye diagram.

## CALCulate:EDIagram:MARKer<x>:X[:TIME]

Sets or queries the horizontal position (time) of the selected marker in the eye diagram measurement.

The parameter `<x> = 0 to 4`. The specified marker must be activated using the [CALCulate:MARKer:ADD](#) command.

**Conditions**      Measurement views: Eye diagram

**Group**            Calculate commands

**Syntax**        `CALCulate:EDIagram:MARKer<x>:X[:TIME] <value>`  
`CALCulate:EDIagram:MARKer<x>:X[:TIME]?`

**Related Commands**    [CALCulate:EDIagram:MARKer<x>:Y?](#)

**Arguments**      `<value> ::= <NRf>` specifies the horizontal position (time) of the marker. Use the [\[SENSe\]:DDEMod:TIME:UNITs](#) command to select the time unit: symbols (default) or seconds.

**Examples**        `CALCulate:EDIagram:MARKer1:X:TIME 38.5` places Marker 1 (M1) at 38.5 symbols on the trace.

## CALCulate:EDIagram:MARKer<x>:Y? (Query Only)

Queries the vertical position of the selected marker in the eye diagram measurement.

The parameter <x> = 0 to 4. The specified marker must be activated using the [CALCulate:MARKer:ADD](#) command.

**Conditions** Measurement views: Eye diagram

**Group** Calculate commands

**Syntax** CALCulate:EDIagram:MARKer<x>:Y?

**Related Commands** [CALCulate:EDIagram:MARKer<x>:X\[:TIME\]](#)

**Arguments** None

**Returns** <NRf> Vertical position of the selected marker.

**Examples** CALCULATE:EDIAGRAM:MARKER1:Y? might return 571.8E-3, indicating Marker 1 (M1) is at 0.5718.

## CALCulate:EVM:MARKer<x>:DELTA:X? (Query Only)

Returns the delta marker time for the selected marker in the EVM versus Time measurement.

The parameter <x> = 1 to 4; MARKer0 (reference marker) is invalid. The specified marker must be activated using the [CALCulate:MARKer:ADD](#) command.

**Conditions** Measurement views: EVM versus Time

**Group** Calculate commands

**Syntax** CALCulate:EVM:MARKer<x>:DELTA:X?

**Related Commands** [CALCulate:EVM:MARKer<x>:DELTA:Y?](#)

<b>Arguments</b>	None
<b>Returns</b>	<NRF> Delta marker time for the selected marker. The unit can be changed by the <a href="#">[SENSE]:DDEMod:TIME:UNITs</a> command.
<b>Examples</b>	<code>CALCulate:EVM:MARKer1:DELTA:X?</code> might return 9.52, indicating that the delta marker time is 9.52 symbols.

## **CALCulate:EVM:MARKer<x>:DELTA:Y? (Query Only)**

Returns the delta marker amplitude for the selected marker in the EVM versus Time measurement.

The parameter <x> = 1 to 4; MARKer0 (reference marker) is invalid. The specified marker must be activated using the [CALCulate:MARKer:ADD](#) command.

<b>Conditions</b>	Measurement views: EVM versus Time
<b>Group</b>	Calculate commands
<b>Syntax</b>	<code>CALCulate:EVM:MARKer&lt;x&gt;:DELTA:Y?</code>
<b>Related Commands</b>	<a href="#">CALCulate:EVM:MARKer&lt;x&gt;:DELTA:X?</a>
<b>Arguments</b>	None
<b>Returns</b>	<NRF> Delta marker amplitude for the selected marker in percent (%).
<b>Examples</b>	<code>CALCULATE:EVM:MARKER1:DELTA:Y?</code> might return 1.62, indicating that the delta marker amplitude is 1.62%.

## **CALCulate:EVM:MARKer<x>:MAXimum (No Query Form)**

Moves the selected marker to the highest peak on the trace in the EVM versus Time measurement.

The parameter <x> = 1 to 4; MARKer0 (reference marker) is invalid. The specified marker must be activated using the [CALCulate:MARKer:ADD](#) command.

<b>Conditions</b>	Measurement views: EVM versus Time
<b>Group</b>	Calculate commands
<b>Syntax</b>	<code>CALCulate:EVM:MARKer&lt;x&gt;:MAXimum</code>
<b>Arguments</b>	None
<b>Examples</b>	<code>CALCULATE:EVM:MARKER1:MAXIMUM</code> moves Marker 1 (M1) to the highest peak on the trace.

## **CALCulate:EVM:MARKer<x>:PEAK:HIGHer (No Query Form)**

Moves the selected marker to the next peak higher in amplitude on the EVM versus Time trace.

The parameter <x> = 1 to 4; MARKer0 (reference marker) is invalid. The specified marker must be activated using the [CALCulate:MARKer:ADD](#) command.

<b>Conditions</b>	Measurement views: EVM versus Time
<b>Group</b>	Calculate commands
<b>Syntax</b>	<code>CALCulate:EVM:MARKer&lt;x&gt;:PEAK:HIGHer</code>
<b>Related Commands</b>	<a href="#">CALCulate:EVM:MARKer&lt;x&gt;:PEAK:LOWer</a>
<b>Arguments</b>	None
<b>Examples</b>	<code>CALCULATE:EVM:MARKER1:PEAK:HIGHER</code> moves Marker 1 (M1) to the next peak higher in amplitude on the trace.

## CALCulate:EVM:MARKer<x>:PEAK:LEFT (No Query Form)

Moves the selected marker to the next peak to the left on the trace in the EVM versus Time measurement.

The parameter <x> = 1 to 4; MARKer0 (reference marker) is invalid. The specified marker must be activated using the [CALCulate:MARKer:ADD](#) command.

**Conditions** Measurement views: EVM versus Time

**Group** Calculate commands

**Syntax** CALCulate:EVM:MARKer<x>:PEAK:LEFT

**Related Commands** [CALCulate:EVM:MARKer<x>:PEAK:RIGHT](#)

**Arguments** None

**Examples** CALCULATE:EVM:MARKER1:PEAK:LEFT moves Marker 1 (M1) to the next peak to the left on the trace.

## CALCulate:EVM:MARKer<x>:PEAK:LOWer (No Query Form)

Moves the selected marker to the next peak lower in amplitude on the EVM versus Time trace.

The parameter <x> = 1 to 4; MARKer0 (reference marker) is invalid. The specified marker must be activated using the [CALCulate:MARKer:ADD](#) command.

**Conditions** Measurement views: EVM versus Time

**Group** Calculate commands

**Syntax** CALCulate:EVM:MARKer<x>:PEAK:LOWer

**Related Commands** [CALCulate:EVM:MARKer<x>:PEAK:HIGHer](#)



**Arguments** None

**Examples** `CALCULATE:EVM:MARKER1:PEAK:LOWER` moves Marker 1 (M1) to the next peak lower in amplitude on the trace.

## **CALCulate:EVM:MARKer<x>:PEAK:RIGHT (No Query Form)**

Moves the selected marker to the next peak to the right on the trace in the EVM versus Time measurement.

The parameter <x> = 1 to 4; MARKer0 (reference marker) is invalid. The specified marker must be activated using the [CALCulate:MARKer:ADD](#) command.

**Conditions** Measurement views: EVM versus Time

**Group** Calculate commands

**Syntax** `CALCulate:EVM:MARKer<x>:PEAK:RIGHT`

**Related Commands** [CALCulate:EVM:MARKer<x>:PEAK:LEFT](#)

**Arguments** None

**Examples** `CALCULATE:EVM:MARKER1:PEAK:RIGHT` moves Marker 1 (M1) to the next peak to the right on the trace.

## **CALCulate:EVM:MARKer<x>:X**

Sets or queries the horizontal position of the selected marker in the EVM versus Time measurement.

The parameter <x> = 1 to 4; MARKer0 (reference marker) is invalid. The specified marker must be activated using the [CALCulate:MARKer:ADD](#) command.

**Conditions** Measurement views: EVM versus Time

**Group** Calculate commands

**Syntax**     `CALCulate:EVM:MARKer<x>:X <value>`  
`CALCulate:EVM:MARKer<x>:X?`

**Arguments**     `<value>::=<NRF>` specifies the horizontal position of the marker.  
 Range: (analysis offset) to (analysis offset) + (analysis length).  
 The unit can be changed by the [\[SENSe\]:DDEMod:TIME:UNITs](#) command.

**Examples**     `CALCULATE:EVM:MARKER1:X 1.5us` places Marker 1 (M1) at 1.5  $\mu$ s on the trace.

## CALCulate:EVM:MARKer<x>:Y? (Query Only)

Queries the marker amplitude of the selected marker in the EVM versus Time measurement.

**Conditions**     Measurement views: EVM versus Time

**Group**     Calculate commands

**Syntax**     `CALCulate:EVM:MARKer<x>:Y?`

**Related Commands**     [CALCulate:EVM:MARKer<x>:X](#)

**Arguments**     None

**Returns**     `<NRF>` Marker amplitude of the selected marker in percent (%).

**Examples**     `CALCULATE:EVM:MARKER1:Y?` might return 5.34, indicating Marker 1 (M1) is at 5.34%.

## CALCulate:FDVTime:MARKer<x>:DELTA:X[:TIME]? (Query Only)

Returns the delta marker time for the selected marker on the Frequency deviation vs Time trace.

The parameter `<x>` = 1 to 4; MARKer0 (reference marker) is invalid. The specified marker must be activated using the [CALCulate:MARKer:ADD](#) command.

<b>Conditions</b>	Measurement views: Frequency deviation versus Time
<b>Group</b>	Calculate commands
<b>Syntax</b>	<code>CALCulate:FDVTime:MARKer&lt;x&gt;:DELTA:X[:TIME]?</code>
<b>Related Commands</b>	<a href="#">CALCulate:FDVTime:MARKer&lt;x&gt;:DELTA:Y?</a>
<b>Arguments</b>	None
<b>Returns</b>	<NRf> Delta marker time for the selected marker. Use the <a href="#">[SENSe]:DDEMod:TIME:UNITs</a> command to select the time unit: symbols (default) or seconds.
<b>Examples</b>	<code>CALCULATE:FDVTIME:MARKER1:DELTA:X:TIME?</code> might return <code>62.75</code> , indicating that the delta marker time is 62.75 symbols.

## **CALCulate:FDVTime:MARKer<x>:DELTA:Y? (Query Only)**

Returns the delta marker amplitude for the selected marker on the Frequency deviation vs Time trace.

The parameter <x> = 1 to 4; MARKer0 (reference marker) is invalid. The specified marker must be activated using the [CALCulate:MARKer:ADD](#) command.

<b>Conditions</b>	Measurement views: Frequency deviation versus Time
<b>Group</b>	Calculate commands
<b>Syntax</b>	<code>CALCulate:FDVTime:MARKer&lt;x&gt;:DELTA:Y?</code>
<b>Related Commands</b>	<a href="#">CALCulate:FDVTime:MARKer&lt;x&gt;:DELTA:X[:TIME]?</a>
<b>Arguments</b>	None
<b>Returns</b>	<NRf> Delta marker amplitude for the selected marker in Hz.

**Examples**     `CALCULATE:FDVTIME:MARKER1:DELTA:Y?` might return `-563.7E+3`, indicating that the delta marker amplitude is -563.7 kHz.

## **CALCulate:FDVTime:MARKer<x>:MAXimum (No Query Form)**

Moves the selected marker to the highest peak on the Frequency deviation vs Time trace.

**Conditions**     Measurement views: Frequency deviation versus Time

**Group**            Calculate commands

**Syntax**           `CALCulate:FDVTime:MARKer<x>:MAXimum`

**Arguments**       None

**Examples**        `CALCULATE:FDVTIME:MARKER1:MAXIMUM` moves Marker 1 (M1) to the highest peak on the trace.

## **CALCulate:FDVTime:MARKer<x>:PEAK:HIGHer (No Query Form)**

Moves the selected marker to the next peak higher in amplitude on the Frequency deviation vs Time trace.

**Conditions**       Measurement views: Frequency deviation versus Time

**Group**            Calculate commands

**Syntax**           `CALCulate:FDVTime:MARKer<x>:PEAK:HIGHer`

**Related Commands**     [CALCulate:FDVTime:MARKer<x>:PEAK:LOWer](#)

**Arguments**       None

**Examples**        `CALCulate:FDVTime:MARKer1:PEAK:HIGHer` moves Marker 1 (M1) to the next peak higher in amplitude on the trace.

## CALCulate:FDVTime:MARKer<x>:PEAK:LEFT (No Query Form)

Moves the selected marker to the next peak to the left on the Frequency deviation vs Time trace.

**Conditions** Measurement views: Frequency deviation versus Time

**Group** Calculate commands

**Syntax** CALCulate:FDVTime:MARKer<x>:PEAK:LEFT

**Related Commands** [CALCulate:FDVTime:MARKer<x>:PEAK:RIGHT](#)

**Arguments** None

**Examples** CALCULATE:FDVTIME:MARKER1:PEAK:LEFT moves Marker 1 (M1) to the next peak to the left on the trace.

## CALCulate:FDVTime:MARKer<x>:PEAK:LOWer (No Query Form)

Moves the selected marker to the next peak lower in amplitude on the Frequency deviation vs Time trace.

**Conditions** Measurement views: Frequency deviation versus Time

**Group** Calculate commands

**Syntax** CALCulate:FDVTime:MARKer<x>:PEAK:LOWer

**Related Commands** [CALCulate:FDVTime:MARKer<x>:PEAK:HIGHer](#)

**Arguments** None

**Examples** CALCULATE:FDVTIME:MARKER1:PEAK:LOWER moves Marker 1 (M1) to the next peak lower in amplitude on the trace.

## CALCulate:FDVTime:MARKer<x>:PEAK:RIGHT (No Query Form)

Moves the selected marker to the next peak to the right on the trace in the Frequency deviation versus Time measurement.

**Conditions** Measurement views: Frequency deviation versus Time

**Group** Calculate commands

**Syntax** CALCulate:FDVTime:MARKer<x>:PEAK:RIGHT

**Arguments** None

**Examples** CALCULATE:FDVTIME:MARKER1:PEAK:RIGHT moves Marker 1 (M1) to the next peak to the right on the trace.

## CALCulate:FDVTime:MARKer<x>:X[:TIME]

Sets or queries the horizontal position (time) of the selected marker in the Frequency deviation versus Time measurement.

**Conditions** Measurement views: Frequency deviation versus Time

**Group** Calculate commands

**Syntax** CALCulate:FDVTime:MARKer<x>:X[:TIME] <value>  
CALCulate:FDVTime:MARKer<x>:X[:TIME]?

**Related Commands** [CALCulate:FDVTime:MARKer<x>:Y?](#)

**Arguments** <value>::=<Nrf> specifies the horizontal position of the marker. Range: (analysis offset) to [(analysis offset) + (analysis length)]. Use the [\[SENSe\]:DDEMod:TIME:UNITs](#) command to select the time unit: symbols (default) or seconds.

**Examples** CALCULATE:FDVTIME:MARKER1:X:TIME 38.5 places Marker 1 (M1) at 38.5 symbols on the trace.

## CALCulate:FDVTime:MARKer<x>:Y? (Query Only)

Queries the marker amplitude of the selected marker in the Frequency deviation versus Time measurement.

**Conditions** Measurement views: Frequency deviation versus Time

**Group** Calculate commands

**Syntax** CALCulate:FDVTime:MARKer<x>:Y?

**Related Commands** [CALCulate:FDVTime:MARKer<x>:X\[:TIME\]](#)

**Arguments** None

**Returns** <NRf> Marker amplitude of the selected marker in Hz.

**Examples** CALCULATE:FDVTIME:MARKER1:Y? might return -15.34E+6, indicating Marker 1 (M1) is at -15.34 MHz.

## CALCulate:{FSETtling|PSETtling}:MARKer<x>:DELTA:X? (Query Only)

Returns the delta marker time for the selected marker in the Frequency and Phase Settling displays.

The parameter <x> = 1 to 4; MARKer0 (reference marker) is invalid. The specified marker must be activated using the [CALCulate:MARKer:ADD](#) command.

**Conditions** Measurement views: Frequency and Phase Settling

**Group** Calculate commands

**Syntax** CALCulate:{FSETtling|PSETtling}:MARKer<x>:DELTA:X?

**Related Commands** [CALCulate:FVTime:MARKer<x>:DELTA:Y?](#)

**Arguments** None

**Returns** <NRF> Delta marker time for the selected marker.

**Examples** CALCULATE:FSETTLING:MARKER1:DELTA:X? might return 120.0E-9, indicating that the delta marker time is 120 ns.

## CALCulate:{FSETtling|PSETtling}:MARKer<x>:DELTA:Y? (Query Only)

Returns the delta marker frequency for the selected marker in the Frequency and Phase Settling displays.

The parameter <x> = 1 to 4; MARKer0 (reference marker) is invalid. The specified marker must be activated using the [CALCulate:MARKer:ADD](#) command.

**Conditions** Measurement views: Frequency and Phase Settling

**Group** Calculate commands

**Syntax** CALCulate:{FSETtling|PSETtling}:MARKer<x>:DELTA:Y?

**Related Commands** [CALCulate:{FSETtling|PSETtling}:MARKer<x>:DELTA:X?](#)

**Arguments** None

**Returns** <NRF> Delta marker frequency for the selected marker in Hz.

**Examples** CALCULATE:FSETTLING:MARKER1:DELTA:Y? might return 27.05E+3, indicating that the delta marker frequency is 27.05 kHz.

## CALCulate:{FSETtling|PSETtling}:MARKer<x>:MAXimum (No Query Form)

Moves the selected marker to the highest peak on the trace in the Frequency or Phase Settling display.

**Conditions** Measurement views: Frequency and Phase Settling

**Group** Calculate commands



<b>Syntax</b>	<code>CALCulate:{FSETtling PSETtling}:MARKer&lt;x&gt;:MAXimum</code>
<b>Arguments</b>	None
<b>Examples</b>	<code>CALCULATE:FSETTLING:MARKER1:MAXIMUM</code> moves Marker 1 (M1) to the highest peak on the trace.

## **CALCulate:{FSETtling|PSETtling}:MARKer<x>:PEAK:HIGHer (No Query Form)**

Moves the selected marker to the next peak higher in amplitude on the Frequency or Phase Settling trace.

<b>Conditions</b>	Measurement views: Frequency and Phase Settling
<b>Group</b>	Calculate commands
<b>Syntax</b>	<code>CALCulate:{FSETtling PSETtling}:MARKer&lt;x&gt;:PEAK:HIGHer</code>
<b>Related Commands</b>	<a href="#">CALCulate:{FSETtling PSETtling}:MARKer&lt;x&gt;:PEAK:LOWer</a>
<b>Arguments</b>	None
<b>Examples</b>	<code>CALCULATE:FSETTLING:MARKER1:PEAK:HIGHER</code> moves Marker 1 (M1) to the next peak higher in amplitude on the trace.

## **CALCulate:{FSETtling|PSETtling}:MARKer<x>:PEAK:LEFT (No Query Form)**

Moves the selected marker to the next peak to the left on the trace in the Frequency or Phase Settling display.

<b>Conditions</b>	Measurement views: Frequency and Phase Settling
<b>Group</b>	Calculate commands
<b>Syntax</b>	<code>CALCulate:{FSETtling PSETtling}:MARKer&lt;x&gt;:PEAK:LEFT</code>

**Related Commands**    [CALCulate:{FSETtling|PSETtling}:MARKer<x>:PEAK:RIGHT](#)

**Arguments**    None

**Examples**    CALCULATE:FSETTLING:MARKER1:PEAK:LEFT moves Marker 1 (M1) to the next peak to the left on the trace.

## **CALCulate:{FSETtling|PSETtling}:MARKer<x>:PEAK:LOWer (No Query Form)**

Moves the selected marker to the next peak lower in amplitude on the Frequency or Phase Settling trace.

**Conditions**    Measurement views: Frequency and Phase Settling

**Group**    Calculate commands

**Syntax**    CALCulate:{FSETtling|PSETtling}:MARKer<x>:PEAK:LOWer

**Related Commands**    [CALCulate:{FSETtling|PSETtling}:MARKer<x>:PEAK:HIGHer](#)

**Arguments**    None

**Examples**    CALCULATE:FSETTLING:MARKER1:PEAK:LOWER moves Marker 1 (M1) to the next peak lower in amplitude on the trace.

## **CALCulate:{FSETtling|PSETtling}:MARKer<x>:PEAK:RIGHT (No Query Form)**

Moves the selected marker to the next peak to the right on the trace in the Frequency or Phase Settling display.

**Conditions**    Measurement views: Frequency versus Time

**Group**    Calculate commands

**Syntax**    CALCulate:{FSETtling|PSETtling}:MARKer<x>:PEAK:RIGHT

**Related Commands**    [CALCulate:FVTime:MARKer<x>:PEAK:LEFT](#)

**Arguments**    None

**Examples**    CALCULATE:FSETTLING:MARKER1:PEAK:RIGHT moves Marker 1 (M1) to the next peak to the right on the trace.

## CALCulate:{FSETtling|PSETtling}:MARKer<x>:TRACe

Sets or queries the trace on which the specified marker is placed in the spectrum measurement.

**Conditions**    Measurement views: Frequency and Phase Settling

**Group**    Calculate commands

**Syntax**    CALCulate:{FSETtling|PSETtling}:MARKer<x>:TRACe { TRACE1 | TRACE2 }  
CALCulate:{FSETtling|PSETtling}:MARKer<x>:TRACe?

**Arguments**    TRACE1 places the specified marker on Trace 1.  
TRACE2 places the specified marker on Trace 2.

**Examples**    CALCULATE:FSETTLING:MARKER1:TRACE TRACE1 places Marker 1 (M1) on Trace 1.

## CALCulate:{FSETtling|PSETtling}:MARKer<x>:X

Sets or queries the horizontal position of the selected marker in the Frequency and Phase Settling display.

**Conditions**    Measurement views: Frequency and Phase Settling

**Group**    Calculate commands

**Syntax**    CALCulate:{FSETtling|PSETtling}:MARKer<x>:X <value>  
CALCulate:{FSETtling|PSETtling}:MARKer<x>:X?

<b>Related Commands</b>	<a href="#">CALCulate:{FSETtling PSETtling}:MARKer&lt;x&gt;:Y?</a>
<b>Arguments</b>	<value>::=<NRF> specifies the horizontal position of the marker. Range: (analysis offset) to [(analysis offset) + (analysis length)].
<b>Examples</b>	CALCULATE:FVTIME:MARKER1:X 1.5u places Marker 1 (M1) at 1.5 $\mu$ s on the trace.

## CALCulate:{FSETtling|PSETtling}:MARKer<x>:Y? (Query Only)

Queries the marker amplitude of the selected marker in the Frequency and Phase Settling display.

<b>Conditions</b>	Measurement views: Frequency and Phase Settling
<b>Group</b>	Calculate commands
<b>Syntax</b>	CALCulate:{FSETtling PSETtling}:MARKer<x>:Y?
<b>Related Commands</b>	<a href="#">CALCulate:{FSETtling PSETtling}:MARKer&lt;x&gt;:X</a>
<b>Arguments</b>	None
<b>Returns</b>	<NRF> Marker amplitude of the selected marker in Hz or degrees.
<b>Examples</b>	CALCULATE:FSETTLING:MARKER1:Y? might return -15.34E+6, indicating Marker 1 (M1) is at -15.34 MHz.

## CALCulate:FVTime:MARKer<x>:DELTA:X? (Query Only)

Returns the delta marker time for the selected marker in the Frequency versus Time measurement.

The parameter <x> = 1 to 4; MARKer0 (reference marker) is invalid. The specified marker must be activated using the [CALCulate:MARKer:ADD](#) command.

<b>Conditions</b>	Measurement views: Frequency versus Time
-------------------	--

---

<b>Group</b>	Calculate commands
<b>Syntax</b>	<code>CALCulate:FVTime:MARKer&lt;x&gt;:DELTA:X?</code>
<b>Related Commands</b>	<a href="#">CALCulate:FVTime:MARKer&lt;x&gt;:DELTA:Y?</a>
<b>Arguments</b>	None
<b>Returns</b>	<NRf> Delta marker time for the selected marker.
<b>Examples</b>	<code>CALCULATE:FVTIME:MARKER1:DELTA:X?</code> might return <code>120.0E-9</code> , indicating that the delta marker time is 120 ns.

### **CALCulate:FVTime:MARKer<x>:DELTA:Y? (Query Only)**

Returns the delta marker frequency for the selected marker in the Frequency versus Time measurement.

The parameter <x> = 1 to 4; MARKer0 (reference marker) is invalid. The specified marker must be activated using the [CALCulate:MARKer:ADD](#) command.

<b>Conditions</b>	Measurement views: Frequency versus Time
<b>Group</b>	Calculate commands
<b>Syntax</b>	<code>CALCulate:FVTime:MARKer&lt;x&gt;:DELTA:Y?</code>
<b>Related Commands</b>	<a href="#">CALCulate:FVTime:MARKer&lt;x&gt;:DELTA:X?</a>
<b>Arguments</b>	None
<b>Returns</b>	<NRf> Delta marker frequency for the selected marker in Hz.
<b>Examples</b>	<code>CALCULATE:FVTIME:MARKER1:DELTA:Y?</code> might return <code>27.05E+3</code> , indicating that the delta marker frequency is 27.05 kHz.

## CALCulate:FVTime:MARKer<x>:MAXimum (No Query Form)

Moves the selected marker to the highest peak on the trace in the Frequency versus Time measurement.

**Conditions** Measurement views: Frequency versus Time

**Group** Calculate commands

**Syntax** CALCulate:FVTime:MARKer<x>:MAXimum

**Arguments** None

**Examples** CALCULATE:FVTIME:MARKER1:MAXIMUM moves Marker 1 (M1) to the highest peak on the trace.

## CALCulate:FVTime:MARKer<x>:PEAK:HIGHer (No Query Form)

Moves the selected marker to the next peak higher in amplitude on the Frequency versus Time trace.

**Conditions** Measurement views: Frequency versus Time

**Group** Calculate commands

**Syntax** CALCulate:FVTime:MARKer<x>:PEAK:HIGHer

**Related Commands** [CALCulate:FVTime:MARKer<x>:PEAK:LOWer](#)

**Arguments** None

**Examples** CALCULATE:FVTIME:MARKER1:PEAK:HIGHER moves Marker 1 (M1) to the next peak higher in amplitude on the trace.

## CALCulate:FVTime:MARKer<x>:PEAK:LEFT (No Query Form)

Moves the selected marker to the next peak to the left on the trace in the Frequency versus Time measurement.

**Conditions** Measurement views: Frequency versus Time

**Group** Calculate commands

**Syntax** CALCulate:FVTime:MARKer<x>:PEAK:LEFT

**Related Commands** [CALCulate:FVTime:MARKer<x>:PEAK:RIGHT](#)

**Arguments** None

**Examples** CALCULATE:FVTIME:MARKER1:PEAK:LEFT moves Marker 1 (M1) to the next peak to the left on the trace.

## CALCulate:FVTime:MARKer<x>:PEAK:LOWer (No Query Form)

Moves the selected marker to the next peak lower in amplitude on the Frequency versus Time trace.

**Conditions** Measurement views: Frequency versus Time

**Group** Calculate commands

**Syntax** CALCulate:FVTime:MARKer<x>:PEAK:LOWer

**Related Commands** [CALCulate:FVTime:MARKer<x>:PEAK:HIGHer](#)

**Arguments** None

**Examples** CALCULATE:FVTIME:MARKER1:PEAK:LOWER moves Marker 1 (M1) to the next peak lower in amplitude on the trace.

## CALCulate:FVTime:MARKer<x>:PEAK:RIGHT (No Query Form)

Moves the selected marker to the next peak to the right on the trace in the Frequency versus Time measurement.

<b>Conditions</b>	Measurement views: Frequency versus Time
<b>Group</b>	Calculate commands
<b>Syntax</b>	CALCulate:FVTime:MARKer<x>:PEAK:RIGHT
<b>Related Commands</b>	<a href="#">CALCulate:FVTime:MARKer&lt;x&gt;:PEAK:LEFT</a>
<b>Arguments</b>	None
<b>Examples</b>	CALCULATE:FVTIME:MARKER1:PEAK:RIGHT moves Marker 1 (M1) to the next peak to the right on the trace.

## CALCulate:FVTime:MARKer<x>:X

Sets or queries the horizontal position of the selected marker in the Frequency versus Time measurement.

<b>Conditions</b>	Measurement views: Frequency versus Time
<b>Group</b>	Calculate commands
<b>Syntax</b>	CALCulate:FVTime:MARKer<x>:X <value> CALCulate:FVTime:MARKer<x>:X?
<b>Related Commands</b>	<a href="#">CALCulate:FVTime:MARKer&lt;x&gt;:Y?</a>
<b>Arguments</b>	<value>::=<NRF> specifies the horizontal position of the marker. Range: (analysis offset) to [(analysis offset) + (analysis length)].
<b>Examples</b>	CALCULATE:FVTIME:MARKER1:X 1.5u places Marker 1 (M1) at 1.5 $\mu$ s on the trace.



## CALCulate:FVTime:MARKer<x>:Y? (Query Only)

Queries the marker amplitude of the selected marker in the Frequency versus Time measurement.

**Conditions** Measurement views: Frequency versus Time

**Group** Calculate commands

**Syntax** CALCulate:FVTime:MARKer<x>:Y?

**Related Commands** [CALCulate:FVTime:MARKer<x>:X](#)

**Arguments** None

**Returns** <Nrf> Marker amplitude of the selected marker in Hz.

**Examples** CALCULATE:FVTIME:MARKER1:Y? might return -15.34E+6, indicating Marker 1 (M1) is at -15.34 MHz.

## CALCulate:IQVTime:MARKer<x>:DELTA:X? (Query Only)

Returns the delta marker time for the selected marker in the RF I&Q versus Time measurement.

The parameter <x> = 1 to 4; MARKer0 (reference marker) is invalid. The specified marker must be activated using the [CALCulate:MARKer:ADD](#) command.

**Conditions** Measurement views: RF I&Q versus Time

**Group** Calculate commands

**Syntax** CALCulate:IQVTime:MARKer<x>:DELTA:X?

**Related Commands** [CALCulate:IQVTime:MARKer<x>:DELTA:Y?](#)

**Arguments** None

**Returns** <NRF> Delta marker time for the selected marker.

**Examples** CALCULATE:IQVTIME:MARKER1:DELTA:X? might return 120.0E-9, indicating that the delta marker time is 120 ns.

## CALCulate:IQVTime:MARKer<x>:DELTA:Y? (Query Only)

Returns the delta marker amplitude for the selected marker in the RF I&Q versus Time measurement.

The parameter <x> = 1 to 4; MARKer0 (reference marker) is invalid. The specified marker must be activated using the [CALCulate:MARKer:ADD](#) command.

**Conditions** Measurement views: RF I&Q versus Time

**Group** Calculate commands

**Syntax** CALCulate:IQVTime:MARKer<x>:DELTA:Y?

**Related Commands** [CALCulate:IQVTime:MARKer<x>:DELTA:X?](#)

**Arguments** None

**Returns** <NRF> Delta marker amplitude for the selected marker in volts.

**Examples** CALCULATE:IQVTIME:MARKER1:DELTA:Y? might return -3.45E-3, indicating that the delta marker amplitude is -3.45 mV.

## CALCulate:IQVTime:MARKer<x>:MAXimum (No Query Form)

Moves the selected marker to the highest peak on the trace in the RF I&Q versus Time measurement.

**Conditions** Measurement views: RF I&Q versus Time

**Group** Calculate commands

---

<b>Syntax</b>	<code>CALCulate:IQVTime:MARKer&lt;x&gt;:MAXimum</code>
<b>Arguments</b>	None
<b>Examples</b>	<code>CALCULATE:IQVTIME:MARKER1:MAXIMUM</code> moves Marker 1 (M1) to the highest peak on the trace.

## **CALCulate:IQVTime:MARKer<x>:PEAK:HIGHer (No Query Form)**

Moves the selected marker to the next peak higher in amplitude on the RF I&Q versus Time trace.

<b>Conditions</b>	Measurement views: RF I&Q versus Time
<b>Group</b>	Calculate commands
<b>Syntax</b>	<code>CALCulate:IQVTime:MARKer&lt;x&gt;:PEAK:HIGHer</code>
<b>Related Commands</b>	<a href="#">CALCulate:IQVTime:MARKer&lt;x&gt;:PEAK:LOWer</a>
<b>Arguments</b>	None
<b>Examples</b>	<code>CALCULATE:IQVTIME:MARKER1:PEAK:HIGHER</code> moves Marker 1 (M1) to the next peak higher in amplitude on the trace.

## **CALCulate:IQVTime:MARKer<x>:PEAK:LEFT (No Query Form)**

Moves the selected marker to the next peak to the left on the trace in the RF I&Q versus Time measurement.

<b>Conditions</b>	Measurement views: RF I&Q versus Time
<b>Group</b>	Calculate commands
<b>Syntax</b>	<code>CALCulate:IQVTime:MARKer&lt;x&gt;:PEAK:LEFT</code>

**Related Commands**    [CALCulate:IQVTime:MARKer<x>:PEAK:RIGHT](#)

**Arguments**    None

**Examples**    CALCULATE:IQVTIME:MARKER1:PEAK:LEFT moves Marker 1 (M1) to the next peak to the left on the trace.

## **CALCulate:IQVTime:MARKer<x>:PEAK:LOWer (No Query Form)**

Moves the selected marker to the next peak lower in amplitude on the RF I&Q versus Time trace.

**Conditions**    Measurement views: RF I&Q versus Time

**Group**    Calculate commands

**Syntax**    CALCulate:IQVTime:MARKer<x>:PEAK:LOWer

**Related Commands**    [CALCulate:IQVTime:MARKer<x>:PEAK:HIGHer](#)

**Arguments**    None

**Examples**    CALCULATE:IQVTIME:MARKER1:PEAK:LOWER moves Marker 1 (M1) to the next peak lower in amplitude on the trace.

## **CALCulate:IQVTime:MARKer<x>:PEAK:RIGHT (No Query Form)**

Moves the selected marker to the next peak to the right on the trace in the RF I&Q versus Time measurement.

**Conditions**    Measurement views: RF I&Q versus Time

**Group**    Calculate commands

**Syntax**    CALCulate:IQVTime:MARKer<x>:PEAK:RIGHT

<b>Related Commands</b>	<a href="#">CALCulate:IQVTime:MARKer&lt;x&gt;:PEAK:LEFT</a>
<b>Arguments</b>	None
<b>Examples</b>	CALCULATE:IQVTIME:MARKER1:PEAK:RIGHT moves Marker 1 (M1) to the next peak to the right on the trace.

## CALCulate:IQVTime:MARKer<x>:TRACe

Places the selected marker on the I or Q trace in the RF I&Q versus Time measurement. The query command returns which trace the selected marker is placed on.

<b>Conditions</b>	Measurement views: RF I&Q versus Time
<b>Group</b>	Calculate commands
<b>Syntax</b>	CALCulate:IQVTime:MARKer<x>:TRACe { TRACE1   TRACE2 } CALCulate:IQVTime:MARKer<x>:TRACe?
<b>Arguments</b>	TRACE1 places the selected marker on the I trace. TRACE2 places the selected marker on the Q trace.
<b>Examples</b>	CALCULATE:IQVTIME:MARKER1:TRACE TRACE1 places Marker 1 (M1) on the I trace.

## CALCulate:IQVTime:MARKer<x>:X

Sets or queries the horizontal position of the selected marker in the RF I&Q versus Time measurement.

<b>Conditions</b>	Measurement views: RF I&Q versus Time
<b>Group</b>	Calculate commands
<b>Syntax</b>	CALCulate:IQVTime:MARKer<x>:X <value> CALCulate:IQVTime:MARKer<x>:X?

<b>Related Commands</b>	<a href="#">CALCulate:IQVTime:MARKer&lt;x&gt;:Y?</a>
<b>Arguments</b>	<value> ::= <NRF> specifies the horizontal position of the marker. Range: (analysis offset) to [(analysis offset) + (analysis length)].
<b>Examples</b>	CALCULATE:IQVTIME:MARKER1:X 1.5us places Marker 1 (M1) at 1.5 $\mu$ s on the trace.

## CALCulate:IQVTime:MARKer<x>:Y? (Query Only)

Queries the marker amplitude of the selected marker in the RF I&Q versus Time measurement.

<b>Conditions</b>	Measurement views: RF I&Q versus Time
<b>Group</b>	Calculate commands
<b>Syntax</b>	CALCulate:IQVTime:MARKer<x>:Y?
<b>Related Commands</b>	<a href="#">CALCulate:IQVTime:MARKer&lt;x&gt;:X</a>
<b>Arguments</b>	None
<b>Returns</b>	<NRF> Marker amplitude of the selected marker in volts.
<b>Examples</b>	CALCULATE:IQVTIME:MARKER1:Y? might return 25.803E-3, indicating Marker 1 (M1) is at 25.803 mV.

## CALCulate:MARKer:ADD (No Query Form)

Adds a marker. Every execution of this command adds a marker from MR, then M1 to M4, sequentially.

---

**NOTE.** If all markers are already turned on, the error message "Cannot add another marker" (execution error -200) is returned.

---

<b>Conditions</b>	Measurement views: All
-------------------	------------------------

---

<b>Group</b>	Calculate commands
<b>Syntax</b>	CALCulate:MARKer:ADD
<b>Related Commands</b>	<a href="#">CALCulate:MARKer:AOff</a> , <a href="#">CALCulate:MARKer:DELeTe</a>
<b>Arguments</b>	None
<b>Examples</b>	CALCULATE:MARKER:ADD adds a marker.

### CALCulate:MARKer:AOff (No Query Form)

Turns off all markers.

<b>Conditions</b>	Measurement views: All
<b>Group</b>	Calculate commands
<b>Syntax</b>	CALCulate:MARKer:AOff
<b>Related Commands</b>	<a href="#">CALCulate:MARKer:ADD</a> , <a href="#">CALCulate:MARKer:DELeTe</a>
<b>Arguments</b>	None
<b>Examples</b>	CALCULATE:MARKER:AOff turns off all markers.

### CALCulate:MARKer:DELeTe (No Query Form)

Deletes the last marker added.

---

**NOTE.** *If all markers are turned off, the error message "Cannot delete another marker" (execution error -200) is returned.*

---

<b>Conditions</b>	Measurement views: All
-------------------	------------------------

<b>Group</b>	Calculate commands
<b>Syntax</b>	CALCulate:MARKer:DELeTe
<b>Related Commands</b>	<a href="#">CALCulate:MARKer:ADD</a> , <a href="#">CALCulate:MARKer:AOff</a>
<b>Arguments</b>	None
<b>Examples</b>	CALCULATE:MARKER:DELETE deletes the last marker added.

## CALCulate:MARKer:DENSity:EXCursion

Sets or queries the minimum excursion of DPX signal density, or how far the density (hit count for pixels) must be above the surrounding noise to be detected as a peak. This command is effective for the DPX bitmap trace.

For marker peak up and marker peak down operations, the signal is considered to be a peak if it exceeds the excursion and the threshold set by the CALCulate:MARKer:DENSity:THREShold command.

For marker peak left and marker peak right operations, the signal is considered to be a peak if it first exceeds the amplitude excursion set by CALCulate:MARKer:PEAK:EXCursion, the amplitude threshold set by CALCulate:MARKer:PEAK:THREShold, the density excursion set by CALCulate:MARKer:DENSity:EXCursion and the density threshold set by CALCulate:MARKer:DENSity:THREShold.

<b>Conditions</b>	Measurement views: All
<b>Group</b>	Calculate commands
<b>Syntax</b>	CALCulate:MARKer:DENSity:EXCursion <number> CALCulate:MARKer:DENSity:EXCursion?
<b>Related Commands</b>	<a href="#">CALCulate:MARKer:DENSity:THREShold</a> , <a href="#">CALCulate:MARKer:PEAK:EXCursion</a> , <a href="#">CALCulate:MARKer:PEAK:THREShold</a>
<b>Arguments</b>	<number>::=<NR1> specifies the minimum excursion density. Range: 0 to 100%.



**Examples**     `CALCULATE:MARKER:DENSITY:EXCURSION30` sets the minimum excursion density to 30.

## CALCulate:MARKer:DENSity:SMOothing

Sets or queries the number of pixels squared for smoothing the DPX signal density. This command is effective for the DPX bitmap trace.

**Conditions**     Measurement views: All

**Group**     Calculate commands

**Syntax**     `CALCulate:MARKer:DENSity:SMOothing <number>`  
`CALCulate:MARKer:DENSity:SMOothing?`

**Arguments**     `<number>::=<NR1>` specifies the number of pixels squared for smoothing the DPX signal density. Range: 1 to 20.

**Examples**     `CALCULATE:MARKER:DENSITY:SMOOTHING5` sets the smoothing number to 5.

## CALCulate:MARKer:DENSity:THReshold

Sets or queries the threshold of DPX signal density above which the density (hit count for pixels) is detected as a peak. This command is effective for the DPX bitmap trace.

**Conditions**     Measurement views: All

**Group**     Calculate commands

**Syntax**     `CALCulate:MARKer:DENSity:THReshold <number>`  
`CALCulate:MARKer:DENSity:THReshold?`

**Related Commands**     [CALCulate:MARKer:DENSity:EXCursion](#)

**Arguments**     `<number>::=<NR1>` specifies the threshold density for detecting peaks. Range: 0 to 100%.

**Examples**     `CALCULATE:MARKER:DENSITY:THRESHOLD300` sets the threshold density to 300.

## **CALCulate:MARKer:DRAG:SEARch:STATe**

Enables or disables peak searching when dragging a marker in a plot.

**Conditions**     Measurement views: All

**Group**     Calculate commands

**Syntax**     `CALCulate:MARKer:DRAG:SEARch:STATe { OFF | ON | 0 | 1 }`  
`CALCulate:MARKer:DRAG:SEARch:STATe?`

**Arguments**     OFF or 0 disables peak searching in a plot.  
ON or 1 enables peak searching in a plot.

**Examples**     `CALCULATE:MARKER:DRAG:SEARCH:STATE OFF` disables peak searching when dragging a marker in a plot.

## **CALCulate:MARKer:MODE**

Sets or queries the marker mode.

**Conditions**     Measurement views: All

**Group**     Calculate commands

**Syntax**     `CALCulate:MARKer:MODE { ABSolute | DELTA }`  
`CALCulate:MARKer:MODE?`

**Arguments**     `ABSolute` selects the absolute marker mode, in which the marker readout indicates the absolute value.  
`DELTA` selects the delta marker mode, in which the marker readout indicates the relative value to the reference marker.

**Examples**     `CALCULATE:MARKER:MODEDELTA` selects the delta marker mode.

## CALCulate:MARKer:PEAK:EXCursion

Sets or queries the minimum excursion level (how far a signal must be above the surrounding noise to be detected as a peak). The signal is considered to be a peak if it exceeds the minimum excursion level and the threshold level set by the [CALCulate:MARKer:PEAK:THReshold](#) command.

<b>Conditions</b>	Measurement views: All
<b>Group</b>	Calculate commands
<b>Syntax</b>	CALCulate:MARKer:PEAK:EXCursion <value> CALCulate:MARKer:PEAK:EXCursion?
<b>Arguments</b>	<value> ::= <NRf> specifies the excursion level. Range: 0 to 100 dB.
<b>Examples</b>	CALCULATE:MARKER:PEAK:EXCURSION10 sets the excursion level to 10 dB.

## CALCulate:MARKer:PEAK:THReshold

Sets or queries the threshold level above which a signal is detected as a peak.

<b>Conditions</b>	Measurement views: All
<b>Group</b>	Calculate commands
<b>Syntax</b>	CALCulate:MARKer:PEAK:THReshold <value> CALCulate:MARKer:PEAK:THReshold?
<b>Arguments</b>	<value> ::= <NRf> specifies the threshold level for detecting peaks. Range: -170 to +130 dBm.
<b>Examples</b>	CALCULATE:MARKER:PEAK:THRESHOLD-50 sets the threshold level to -50 dBm.

## CALCulate:MCPower:MARKer<x>:DELTA:X? (Query Only)

Returns the delta marker frequency for the selected marker in the MCPR measurement.

The parameter <x> = 1 to 4; MARKer0 (reference marker) is invalid. The specified marker must be activated using the [CALCulate:MARKer:ADD](#) command.

<b>Conditions</b>	Measurement views: MCPR
<b>Group</b>	Calculate commands
<b>Syntax</b>	CALCuLate:MCPower:MARKer<x>:DELTA:X?
<b>Related Commands</b>	<a href="#">CALCulate:MCPower:MARKer&lt;x&gt;:DELTA:Y?</a>
<b>Arguments</b>	None
<b>Returns</b>	<NRF> Delta marker frequency for the selected marker.
<b>Examples</b>	CALCULATE:MCPOWER:MARKER1:DELTA:X? might return 1.28E+6, indicating that the delta marker frequency is 1.28 MHz.

## CALCulate:MCPower:MARKer<x>:DELTA:Y? (Query Only)

Returns the delta marker amplitude for the selected marker in the MCPR measurement.

The parameter <x> = 1 to 4; MARKer0 (reference marker) is invalid. The specified marker must be activated using the [CALCulate:MARKer:ADD](#) command.

<b>Conditions</b>	Measurement views: MCPR
<b>Group</b>	Calculate commands
<b>Syntax</b>	CALCuLate:MCPower:MARKer<x>:DELTA:Y?
<b>Related Commands</b>	<a href="#">CALCulate:MCPower:MARKer&lt;x&gt;:DELTA:X?</a>
<b>Arguments</b>	None

**Returns** <NRF> Delta marker amplitude for the selected marker.

**Examples** CALCULATE:MCPOWER:MARKER1:DELTA:Y? might return 23.45, indicating that the delta marker amplitude is 23.45 dB.

## CALCulate:MCPower:MARKer<x>:MAXimum (No Query Form)

Moves the selected marker to the highest peak on the trace in the MCPR measurement.

**Conditions** Measurement views: MCPR

**Group** Calculate commands

**Syntax** CALCulate:MCPower:MARKer<x>:MAXimum

**Arguments** None

**Examples** CALCULATE:MCPOWER:MARKER1:MAXIMUM moves Marker 1 (M1) to the highest peak on the trace.

## CALCulate:MCPower:MARKer<x>:PEAK:LEFT (No Query Form)

Moves the selected marker to the next peak to the left on the trace in the MCPR measurement.

**Conditions** Measurement views: MCPR

**Group** Calculate commands

**Syntax** CALCulate:MCPower:MARKer<x>:PEAK:LEFT

**Related Commands** [CALCulate:MCPower:MARKer<x>:PEAK:RIGHT](#)

**Arguments** None

**Examples**     `CALCULATE:MCPOWER:MARKER1:PEAK:LEFT` moves Marker 1 (M1) to the next peak to the left on the trace.

## **CALCulate:MCPower:MARKer<x>:PEAK:RIGHT (No Query Form)**

Moves the selected marker to the next peak to the right on the trace in the MCPR measurement.

**Conditions**     Measurement views: MCPR

**Group**     Calculate commands

**Syntax**     `CALCulate:MCPower:MARKer<x>:PEAK:RIGHT`

**Related Commands**     [CALCulate:MCPower:MARKer<x>:PEAK:LEFT](#)

**Arguments**     None

**Examples**     `CALCULATE:MCPOWER:MARKER1:PEAK:RIGHT` moves Marker 1 (M1) to the next peak to the right on the trace.

## **CALCulate:MCPower:MARKer<x>:X**

Sets or queries the horizontal position of the selected marker in the MCPR measurement.

**Conditions**     Measurement views: MCPR

**Group**     Calculate commands

**Syntax**     `CALCulate:MCPower:MARKer<x>:X <value>`  
`CALCulate:MCPower:MARKer<x>:X?`

**Related Commands**     [CALCulate:MCPower:MARKer<x>:Y?](#)

**Arguments**     `<value>::=<NRF>` specifies the horizontal position of the marker.  
 Range: Start to Stop frequency (left to right edge of the horizontal axis).

Using an out-of-range value causes an execution error (-222, "Data out of range").

**Examples** `CALCULATE:MCPOWER:MARKER1:X 800MHZ` places Marker 1 (M1) at 800 MHz on the trace.

## CALCulate:MCPower:MARKer<x>:Y? (Query Only)

Queries the marker amplitude of the selected marker in the MCPR measurement.

**Conditions** Measurement views: MCPR

**Group** Calculate commands

**Syntax** `CALCulate:MCPower:MARKer<x>:Y?`

**Related Commands** [CALCulate:MCPower:MARKer<x>:X](#)

**Arguments** None

**Returns** <NRf> Marker amplitude of the selected marker.

**Examples** `CALCULATE:MCPOWER:MARKER1:Y?` might return `-34.28`, indicating Marker 1 (M1) is at -34.28 dBm.

## CALCulate:MERRor:MARKer<x>:DELTA:X? (Query Only)

Returns the delta marker time for the selected marker in the Magnitude error versus Time measurement.

The parameter <x> = 1 to 4; MARKer0 (reference marker) is invalid. The specified marker must be activated using the [CALCulate:MARKer:ADD](#) command.

**Conditions** Measurement views: Magnitude error versus Time

**Group** Calculate commands

**Syntax**      `CALCulate:MERRor:MARKer<x>:DELTA:X?`

**Related Commands**      [CALCulate:MERRor:MARKer<x>:DELTA:Y?](#)

**Arguments**      None

**Returns**      <NRf> Delta marker time for the selected marker.  
The unit can be changed by the [\[SENSe\]:DDEMod:TIME:UNITs](#) command.

**Examples**      `CALCULATE:MERROR:MARKER1:DELTA:X?` might return 9.52, indicating that the delta marker time is 9.52 symbols.

## CALCulate:MERRor:MARKer<x>:DELTA:Y? (Query Only)

Returns the delta marker amplitude for the selected marker in the Magnitude error versus Time measurement.

The parameter <x> = 1 to 4; MARKer0 (reference marker) is invalid. The specified marker must be activated using the [CALCulate:MARKer:ADD](#) command.

**Conditions**      Measurement views: Magnitude error versus Time

**Group**      Calculate commands

**Syntax**      `CALCulate:MERRor:MARKer<x>:DELTA:Y?`

**Related Commands**      [CALCulate:MERRor:MARKer<x>:DELTA:X?](#)

**Arguments**      None

**Returns**      <NRf> Delta marker amplitude for the selected marker in percent (%).

**Examples**      `CALCULATE:MERROR:MARKER1:DELTA:Y?` might return 3.84, indicating that the delta marker amplitude is 3.84%.



## CALCulate:MERRor:MARKer<x>:MAXimum (No Query Form)

Moves the selected marker to the highest peak on the trace in the Magnitude error versus Time measurement.

**Conditions** Measurement views: Magnitude error versus Time

**Group** Calculate commands

**Syntax** CALCulate:MERRor:MARKer<x>:MAXimum

**Arguments** None

**Examples** CALCULATE:MERROR:MARKER1:MAXIMUM moves Marker 1 (M1) to the highest peak on the trace.

## CALCulate:MERRor:MARKer<x>:PEAK:HIGHer (No Query Form)

Moves the selected marker to the next peak higher in amplitude on the Magnitude error versus Time trace.

**Conditions** Measurement views: Magnitude error versus Time

**Group** Calculate commands

**Syntax** CALCulate:MERRor:MARKer<x>:PEAK:HIGHer

**Related Commands** [CALCulate:MERRor:MARKer<x>:PEAK:LOWer](#)

**Arguments** None

**Examples** CALCULATE:MERROR:MARKER1:PEAK:HIGHER moves Marker 1 (M1) to the next peak higher in amplitude on the trace.

## CALCulate:MERRor:MARKer<x>:PEAK:LEFT (No Query Form)

Moves the selected marker to the next peak to the left on the trace in the Magnitude error versus Time measurement.

**Conditions** Measurement views: Magnitude error versus Time

**Group** Calculate commands

**Syntax** CALCulate:MERRor:MARKer<x>:PEAK:LEFT

**Related Commands** [CALCulate:MERRor:MARKer<x>:PEAK:RIGHT](#)

**Arguments** None

**Examples** CALCULATE:MERRor:MARKer1:PEAK:LEFT moves Marker 1 (M1) to the next peak to the left on the trace.

## CALCulate:MERRor:MARKer<x>:PEAK:LOWer (No Query Form)

Moves the selected marker to the next peak lower in amplitude on the Magnitude error versus Time trace.

**Conditions** Measurement views: Magnitude error versus Time

**Group** Calculate commands

**Syntax** CALCulate:MERRor:MARKer<x>:PEAK:LOWer

**Related Commands** [CALCulate:MERRor:MARKer<x>:PEAK:HIGHer](#)

**Arguments** None

**Examples** CALCULATE:MERRor:MARKer1:PEAK:LOWer moves Marker 1 (M1) to the next peak lower in amplitude on the trace.

## CALCulate:MERRor:MARKer<x>:PEAK:RIGHT (No Query Form)

Moves the selected marker to the next peak to the right on the trace in the Magnitude error versus Time measurement.

**Conditions** Measurement views: Magnitude error versus Time

**Group** Calculate commands

**Syntax** CALCulate:MERRor:MARKer<x>:PEAK:RIGHT

**Related Commands** [CALCulate:MERRor:MARKer<x>:PEAK:LEFT](#)

**Arguments** None

**Examples** CALCULATE:MERROR:MARKER1:PEAK:RIGHT moves Marker 1 (M1) to the next peak to the right on the trace.

## CALCulate:MERRor:MARKer<x>:X

Sets or queries the horizontal position of the selected marker in the Magnitude error versus Time measurement.

**Conditions** Measurement views: Magnitude error versus Time

**Group** Calculate commands

**Syntax** CALCulate:MERRor:MARKer<x>:X <value>  
CALCulate:MERRor:MARKer<x>:X?

**Arguments** <value> ::= <Nrf> specifies the horizontal position of the marker.  
Range: (analysis offset) to [(analysis offset) + (analysis length)].  
The unit can be changed by the [\[SENSe\]:DDEMod:TIME:UNITs](#) command.

**Examples** CALCULATE:MERROR:MARKER1:X 1.5u places Marker 1 (M1) at 1.5  $\mu$ s on the trace.

## CALCulate:MERRor:MARKer<x>:Y? (Query Only)

Queries the marker amplitude of the selected marker in the Magnitude error versus Time measurement.

<b>Conditions</b>	Measurement views: Magnitude error versus Time
<b>Group</b>	Calculate commands
<b>Syntax</b>	CALCulate:MERRor:MARKer<x>:Y?
<b>Related Commands</b>	<a href="#">CALCulate:MERRor:MARKer&lt;x&gt;:X</a>
<b>Arguments</b>	None
<b>Returns</b>	<NRF> Marker amplitude of the selected marker in percent (%).
<b>Examples</b>	CALCULATE:MERROR:MARKER1:Y? might return 5.34, indicating Marker 1 (M1) is at 5.34%.

## CALCulate:OBWidth:MARKer<x>:DELTA:X? (Query Only)

Returns the delta marker frequency for the selected marker in the Occupied Bandwidth measurement.

The parameter <x> = 1 to 4; MARKer0 (reference marker) is invalid. The specified marker must be activated using the [CALCulate:MARKer:ADD](#) command.

<b>Conditions</b>	Measurement views: Occupied Bandwidth
<b>Group</b>	Calculate commands
<b>Syntax</b>	CALCulate:OBWidth:MARKer<x>:DELTA:X?
<b>Related Commands</b>	<a href="#">CALCulate:OBWidth:MARKer&lt;x&gt;:DELTA:Y?</a>
<b>Arguments</b>	None

**Returns** <Nrf> Delta marker frequency for the selected marker.

**Examples** CALCULATE:OBWIDTH:MARKER1:DELTA:X? might return 1.28E+6, indicating that the delta marker frequency is 1.28 MHz.

## CALCulate:OBWidth:MARKer<x>:DELTA:Y? (Query Only)

Returns the delta marker amplitude for the selected marker in the Occupied Bandwidth measurement.

The parameter <x> = 1 to 4; MARKer0 (reference marker) is invalid. The specified marker must be activated using the [CALCulate:MARKer:ADD](#) command.

**Conditions** Measurement views: Occupied Bandwidth

**Group** Calculate commands

**Syntax** CALCulate:OBWidth:MARKer<x>:DELTA:Y?

**Related Commands** [CALCulate:OBWidth:MARKer<x>:DELTA:X?](#)

**Arguments** None

**Returns** <Nrf> Delta marker amplitude for the selected marker.

**Examples** CALCULATE:OBWIDTH:MARKER1:DELTA:Y? might return 23.45, indicating that the delta marker amplitude is 23.45 dB.

## CALCulate:OBWidth:MARKer<x>:MAXimum (No Query Form)

Moves the selected marker to the highest peak on the trace in the Occupied Bandwidth measurement.

**Conditions** Measurement views: Occupied Bandwidth

**Group** Calculate commands

**Syntax**    `CALCulate:OBwidth:MARKer<x>:MAXimum`

**Arguments**    None

**Examples**    `CALCULATE:OBWIDTH:MARKER1:MAXIMUM` moves Marker 1 (M1) to the highest peak on the trace.

## **CALCulate:OBWidth:MARKer<x>:PEAK:HIGHer (No Query Form)**

Moves the selected marker to the next peak higher in amplitude on the Occupied Bandwidth trace.

**Conditions**    Measurement views: Occupied Bandwidth

**Group**    Calculate commands

**Syntax**    `CALCulate:OBwidth:MARKer<x>:PEAK:HIGHer`

**Related Commands**    [CALCulate:OBWidth:MARKer<x>:PEAK:LOWer](#)

**Arguments**    None

**Examples**    `CALCULATE:OBWIDTH:MARKER1:PEAK:HIGHER` moves Marker 1 (M1) to the next peak higher in amplitude on the trace.

## **CALCulate:OBWidth:MARKer<x>:PEAK:LEFT (No Query Form)**

Moves the selected marker to the next peak to the left on the trace in the Occupied Bandwidth measurement.

**Conditions**    Measurement views: Occupied Bandwidth

**Group**    Calculate commands

**Syntax**    `CALCulate:OBwidth:MARKer<x>:PEAK:LEFT`

---

<b>Related Commands</b>	<a href="#">CALCulate:OBWidth:MARKer&lt;x&gt;:PEAK:RIGHT</a>
<b>Arguments</b>	None
<b>Examples</b>	CALCULATE:OBWIDTH:MARKER1:PEAK:LEFT moves Marker 1 (M1) to the next peak to the left on the trace.

### **CALCulate:OBWidth:MARKer<x>:PEAK:LOWer (No Query Form)**

Moves the selected marker to the next peak lower in amplitude on the Occupied Bandwidth trace.

<b>Conditions</b>	Measurement views: Occupied Bandwidth
<b>Group</b>	Calculate commands
<b>Syntax</b>	CALCulate:OBWidth:MARKer<x>:PEAK:LOWer

<b>Related Commands</b>	<a href="#">CALCulate:OBWidth:MARKer&lt;x&gt;:PEAK:HIGHer</a>
<b>Arguments</b>	None
<b>Examples</b>	CALCULATE:OBWIDTH:MARKER1:PEAK:LOWER moves Marker 1 (M1) to the next peak lower in amplitude on the trace.

### **CALCulate:OBWidth:MARKer<x>:PEAK:RIGHT (No Query Form)**

Moves the selected marker to the next peak to the right on the trace in the Occupied Bandwidth measurement.

<b>Conditions</b>	Measurement views: Occupied Bandwidth
<b>Group</b>	Calculate commands
<b>Syntax</b>	CALCulate:OBWidth:MARKer<x>:PEAK:RIGHT

**Related Commands**    [CALCulate:OBWidth:MARKer<x>:PEAK:LEFT](#)

**Arguments**    None

**Examples**    CALCULATE:OBWIDTH:MARKER1:PEAK:RIGHT moves Marker 1 (M1) to the next peak to the right on the trace.

## CALCulate:OBWidth:MARKer<x>[:SET]:CENTER (No Query Form)

Sets the center frequency to the value at the marker position in the Occupied Bandwidth measurement.

**Conditions**    Measurement views: Occupied Bandwidth

**Group**    Calculate commands

**Syntax**    CALCulate:OBwidth:MARKer<x>[:SET]:CENTER

**Arguments**    None

**Examples**    CALCULATE:OBWIDTH:MARKER1:SET:CENTER sets the center frequency to the value at the Marker 1 position.

## CALCulate:OBWidth:MARKer<x>:X

Sets or queries the horizontal position of the selected marker in the Occupied Bandwidth measurement.

**Conditions**    Measurement views: Occupied Bandwidth

**Group**    Calculate commands

**Syntax**    CALCulate:OBwidth:MARKer<x>:X <value>  
CALCulate:OBwidth:MARKer<x>:X?

**Related Commands**    [CALCulate:OBWidth:MARKer<x>:Y?](#)



**Arguments** `<value> ::= <Nrf>` specifies the horizontal position of the marker.  
 Range: Start to Stop frequency (left to right edge of the horizontal axis).  
 Using an out-of-range value causes an execution error (-222, "Data out of range").

**Examples** `CALCULATE:OBWIDTH:MARKER1:X 800MHZ` places Marker 1 (M1) at 800 MHz on the trace.

## CALCulate:OBWidth:MARKer<x>:Y? (Query Only)

Queries the marker amplitude of the selected marker in the Occupied Bandwidth measurement.

**Conditions** Measurement views: Occupied Bandwidth

**Group** Calculate commands

**Syntax** `CALCulate:OBWidth:MARKer<x>:Y?`

**Related Commands** [CALCulate:OBWidth:MARKer<x>:X](#)

**Arguments** None

**Returns** `<Nrf>` Marker amplitude of the selected marker.

**Examples** `CALCULATE:OBWIDTH:MARKER1:Y?` might return -34.28 indicating Marker 1 (M1) is at -34.28 dBm.

## CALCulate:OFDM:CONSt:MARKer<x>:FREQuency

Sets or queries the frequency position of the selected marker in the OFDM Constellation view.

**Conditions** Measurement views: OFDM

**Group** Calculate commands

**Syntax**     `CALCulate:OFDM:CONStE:MARKer<x>:FREQuency <value>`  
`CALCulate:OFDM:CONStE:MARKer<x>:FREQuency?`

**Arguments**     `<value>::=<nrf>` specifies the frequency position of the marker. Range: Start to Stop frequency (left to right edge of the horizontal axis). Using an out-of-range value causes an execution error (-222, "Data out of range").

**Returns**     `<nrf>` The value type depends on where the marker is placed.

**Examples**     `CALCulate:OFDM:CONStE:MARKer1:FREQuency?` might return 800 MHz, indicating that Marker 1 M1 is positioned at the 800 MHz position in the OFDM Constellation view.

## CALCulate:OFDM:CONStE:MARKer<x>:MAGNitude? (Query Only)

Queries the marker magnitude of the selected marker in the OFDM Constellation view.

**Conditions**     Measurement views: OFDM

**Group**     Calculate commands

**Syntax**     `CALCulate:OFDM:CONStE:MARKer<x>:MAGNitude?`

**Arguments**     None

**Returns**     `<nrf>` The magnitude for the selected marker in dB.

**Examples**     `CALCulate:OFDM:CONStE:MARKer1:MAGNitude` might return 35 indicating readout of Marker 1 (M1) is 35 dB.

## CALCulate:OFDM:CONStE:MARKer<x>:PHASe? (Query Only)

Queries the phase readout of the selected marker in the OFDM Constellation measurement view.

**Conditions**     Measurement views: OFDM

<b>Group</b>	Calculate commands
<b>Syntax</b>	<code>CALCulate:OFDM:CONStE:MARKer&lt;x&gt;:PHASe?</code>
<b>Arguments</b>	None
<b>Returns</b>	<NRf> The phase readout for the selected marker.
<b>Examples</b>	<code>CALCulate:OFDM:CONStE:MARKer1:PHASe?</code> might return 35.74, indicating the phase readout of Marker 1 (M1) is 35.74°.

## **CALCulate:OFDM:CONStE:MARKer<x>:TIME**

Sets or queries the X position of the selected marker in the OFDM Constellation measurement view.

<b>Conditions</b>	Measurement views: OFDM
<b>Group</b>	Calculate commands
<b>Syntax</b>	<code>CALCulate:OFDM:CONStE:MARKer&lt;x&gt;:TIME &lt;value&gt;</code> <code>CALCulate:OFDM:CONStE:MARKer&lt;x&gt;:TIME?</code>
<b>Arguments</b>	<value::=NRf> specifies the marker time.
<b>Examples</b>	<code>CALCulate:OFDM:CONStE:MARKer1:TIME -234.5us</code> places Marker 1 (M1) at the -234.5 $\mu$ s on the trace.

## **CALCulate:OFDM:CONStE:MARKer<x>:TYPE? (Query Only)**

Queries the data type of the selected marker in OFDM Constellation view.

<b>Conditions</b>	Measurement views: OFDM
<b>Group</b>	Calculate commands

**Syntax**     `CALCulate:OFDM:CONStE:MARKer<x>:TYPE?`

**Arguments**     None

**Returns**     1.000 if the marker type is a data marker.

0.000 if the marker type is a pilot marker.

**Examples**     `CALCulate:OFDM:CONStE:MARKer1:TYPE?` might return 1.000 indicating Marker 1 (M1) is a data marker.

## **CALCulate:OFDM:CONStE:MARKer<x>:VALue? (Query Only)**

Queries the value of the specified marker in OFDM Constellation view.

**Conditions**     Measurement views: OFDM

**Group**     Calculate commands

**Syntax**     `CALCulate:OFDM:CONStE:MARKer<x>:VALue?`

**Arguments**     None

**Returns**     <NRF> The value readout for the selected marker.

**Examples**     `CALCulate:OFDM:CONStE:MARKer2:VALue?` might return 2.00, indicating the value readout of Marker 2 (M2) is 2.

## **CALCulate:OFDM:CRESpOse:MARKer<x>:DELTA:X? (Query Only)**

Returns the delta marker frequency for the selected marker in the OFDM Channel response view.

**Conditions**     Measurement views: OFDM

**Group**     Calculate commands

---

<b>Syntax</b>	<code>CALCulate:OFDM:CRESPonse:MARKer&lt;x&gt;:DELTA:X?</code>
<b>Arguments</b>	None
<b>Returns</b>	<Nrf> Delta Marker frequency for the selected marker.
<b>Examples</b>	<code>CALCulate:OFDM:CRESPonse:MARKer2:DELTA:X</code> might return 1.28E+6 indicating that the delta marker frequency for Marker 2 (M2) is 1.28 MHz.

### **CALCulate:OFDM:CRESPonse:MARKer<x>:DELTA:Y? (Query Only)**

Returns the delta marker frequency for the selected marker in the OFDM Channel response view.

<b>Conditions</b>	Measurement views: OFDM
<b>Group</b>	Calculate commands
<b>Syntax</b>	<code>CALCulate:OFDM:CRESPonse:MARKer&lt;x&gt;:DELTA:Y?</code>
<b>Arguments</b>	None
<b>Returns</b>	<Nrf> Delta Marker frequency for the selected marker.
<b>Examples</b>	<code>CALCulate:OFDM:CRESPonse:MARKer2:DELTA:Y</code> might return 1.28E+6 indicating that the delta marker frequency for Marker 2 (M2) is 1.28 MHz.

### **CALCulate:OFDM:CRESPonse:MARKer<x>:MAXimum (No Query Form)**

Moves the selected marker to the highest peak in the OFDM Channel response view.

<b>Conditions</b>	Measurement views: OFDM
<b>Group</b>	Calculate commands

**Syntax**     `CALCulate:OFDM:CRESpOse:MARKer<x>:MAXimum`

**Arguments**     None

**Examples**     `CALCulate:OFDM:CRESpOse:MARKer1:MAXimum` moves Marker 1 (M1) to the highest peak in the OFDM Channel response view.

## **CALCulate:OFDM:CRESpOse:MARKer<x>:PEAK:HIGHer (No Query Form)**

Moves the selected marker to the next peak higher in amplitude in the OFDM Channel response view.

**Conditions**     Measurement views: OFDM

**Group**     Calculate commands

**Syntax**     `CALCulate:OFDM:CRESpOse:MARKer<x>:PEAK:HIGHer`

**Arguments**     None

**Examples**     `CALCulate:OFDM:CRESpOse:MARKer1:PEAK:HIGHer` moves Marker 1 (M1) to the next peak higher in amplitude in the OFDM Channel response view.

## **CALCulate:OFDM:CRESpOse:MARKer<x>:PEAK:LEFT (No Query Form)**

Moves the selected marker to the next peak to the left in the OFDM Channel response view.

**Conditions**     Measurement views: OFDM

**Group**     Calculate commands

**Syntax**     `CALCulate:OFDM:CRESpOse:MARKer<x>:PEAK:LEFT`

**Arguments**     None

**Examples**    `CALCulate:OFDM:CRESPonse:MARKer1:PEAK:LEFT` moves Marker1 (M1) to the next peak to the left in the OFDM Channel response view.

## **CALCulate:OFDM:CRESPonse:MARKer<x>:PEAK:LOWer (No Query Form)**

Moves the selected marker to the next peak lower in amplitude in the OFDM Channel response view.

**Conditions**    Measurement views: OFDM

**Group**    Calculate commands

**Syntax**    `CALCulate:OFDM:CRESPonse:MARKer<x>:PEAK:LOWer`

**Arguments**    None

**Examples**    `CALCulate:OFDM:CRESPonse:MARKer2:PEAK:LOWer` moves Marker 2 (M2) to the next peak lower in amplitude in the OFDM Channel response view.

## **CALCulate:OFDM:CRESPonse:MARKer<x>:PEAK:RIGHT (No Query Form)**

Moves the selected marker to the next peak to the right in the OFDM Channel response view.

**Conditions**    Measurement views: OFDM

**Group**    Calculate commands

**Syntax**    `CALCulate:OFDM:CRESPonse:MARKer<x>:PEAK:RIGHT`

**Arguments**    None

**Examples**    `CALCulate:OFDM:CRESPonse:MARKer1:PEAK:RIGHT` moves Marker1 (M1) to the next peak to the right in the OFDM Channel response view.

## CALCulate:OFDM:CRESpOse:MARKer<x>:X

Sets or queries the horizontal position of the selected marker in the OFDM Channel response view.

<b>Conditions</b>	Measurement views: OFDM
<b>Group</b>	Calculate commands
<b>Syntax</b>	CALCulate:OFDM:CRESpOse:MARKer<x>:X <value> CALCulate:OFDM:CRESpOse:MARKer<x>:X?
<b>Arguments</b>	<value> :=<NRF> specifies the horizontal position of the marker. Range: Start to Stop frequency (left to right edge of the horizontal axis). Using an out-of-range value causes an execution error (-222, "Data out of range").
<b>Examples</b>	CALCulate:OFDM:CRESpOse:MARKer1:X 800MHZ places Marker 1 (M1) at 800 MHz on the trace.

## CALCulate:OFDM:CRESpOse:MARKer<x>:Y? (Query Only)

Returns the amplitude of the selected marker in the OFDM Channel response view.

<b>Conditions</b>	Measurement views: OFDM
<b>Group</b>	Calculate commands
<b>Syntax</b>	CALCulate:OFDM:CRESpOse:MARKer<x>:Y?
<b>Arguments</b>	None
<b>Returns</b>	<NRF> Amplitude of the selected marker in dB.
<b>Examples</b>	CALCulate:OFDM:CRESpOse:MARKer1:Y might return 33.393856E-3 indicating the amplitude of Marker 1 (M1) is 0.033 dB.



## CALCulate:OFDM:TABLE:MARKer<x>:FREQUency

Sets or queries the frequency position of the selected marker in the OFDM Symbol table view.

<b>Conditions</b>	Measurement views: OFDM
<b>Group</b>	Calculate commands
<b>Syntax</b>	CALCulate:OFDM:TABLE:MARKer<x>:FREQUency <value> CALCulate:OFDM:TABLE:MARKer<x>:FREQUency?
<b>Arguments</b>	<value> ::= <Nrf> specifies the marker frequency.
<b>Examples</b>	CALCulate:OFDM:TABLE:MARKer1:FREQUency 800MHZ places Marker 1 (M1) at 800 MHz in the symbol table.

## CALCulate:OFDM:TABLE:MARKer<x>:TIME

Sets or queries the marker time in the OFDM Symbol table view.

<b>Conditions</b>	Measurement views: OFDM
<b>Group</b>	Calculate commands
<b>Syntax</b>	CALCulate:OFDM:TABLE:MARKer<x>:TIME <value> CALCulate:OFDM:TABLE:MARKer<x>:TIME?
<b>Arguments</b>	<value> ::= <Nrf> specifies the marker time.
<b>Examples</b>	CALCulate:OFDM:TABLE:MARKer1:TIME -234.5us places Marker 1 (M1) at -234.5 $\mu$ s in the symbol table.

## CALCulate:OFDM:TABLE:MARKer<x>:VALue? (Query Only)

Queries the value readout of the selected marker in the OFDM Symbol table view.

**Conditions** Measurement views: OFDM

**Group** Calculate commands

**Syntax** CALCulate:OFDM:TABLE:MARKer<x>:VALue?

**Arguments** None

**Returns** <NRf> The value readout of the selected marker.

**Examples** CALCulate:OFDM:TABLE:MARKer2:VALue? might return 2.00 indicating the value readout of Marker 2 (M2) is 2.

## CALCulate:PERRor:MARKer<x>:DELTa:X? (Query Only)

Returns the delta marker time for the selected marker in the Phase error versus Time measurement.

The parameter <x> = 1 to 4; MARKer0 (reference marker) is invalid. The specified marker must be activated using the [CALCulate:MARKer:ADD](#) command.

**Conditions** Measurement views: Phase error versus Time

**Group** Calculate commands

**Syntax** CALCulate:PERRor:MARKer<x>:DELTa:X?

**Related Commands** [CALCulate:PERRor:MARKer<x>:DELTa:Y?](#)

**Arguments** None

**Returns** <Nrf> Delta marker time for the selected marker.  
The unit can be changed by the [\[SENSe\]:DDEMod:TIME:UNITs](#) command.

**Examples** CALCULATE:PERROR:MARKER1:DELTA:X? might return 9.52, indicating that the delta marker time is 9.52 symbols.

## CALCulate:PERRor:MARKer<x>:DELTA:Y? (Query Only)

Returns the delta marker phase for the selected marker in the Phase error versus Time measurement.

The parameter <x> = 1 to 4; MARKer0 (reference marker) is invalid. The specified marker must be activated using the [CALCulate:MARKer:ADD](#) command.

**Conditions** Measurement views: Phase error versus Time

**Group** Calculate commands

**Syntax** CALCulate:PERRor:MARKer<x>:DELTA:Y?

**Related Commands** [CALCulate:PERRor:MARKer<x>:DELTA:X?](#)

**Arguments** None

**Returns** <Nrf> Delta marker phase for the selected marker in degrees.

**Examples** CALCULATE:PERROR:MARKER1:DELTA:Y? might return -7.93, indicating that the delta marker phase is -7.93 °.

## CALCulate:PERRor:MARKer<x>:MAXimum (No Query Form)

Moves the selected marker to the highest peak on the trace in the Phase error versus Time measurement.

**Conditions** Measurement views: Phase error versus Time

<b>Group</b>	Calculate commands
<b>Syntax</b>	<code>CALCulate:PERRor:MARKer&lt;x&gt;:MAXimum</code>
<b>Arguments</b>	None
<b>Examples</b>	<code>CALCULATE:PERROR:MARKER1:MAXIMUM</code> moves Marker 1 (M1) to the highest peak on the trace.

### **CALCulate:PERRor:MARKer<x>:PEAK:HIGHer (No Query Form)**

Moves the selected marker to the next peak higher in amplitude on the Phase error versus Time trace.

<b>Conditions</b>	Measurement views: Phase error versus Time
<b>Group</b>	Calculate commands
<b>Syntax</b>	<code>CALCulate:PERRor:MARKer&lt;x&gt;:PEAK:HIGHer</code>
<b>Related Commands</b>	<a href="#">CALCulate:PERRor:MARKer&lt;x&gt;:PEAK:LOWer</a>
<b>Arguments</b>	None
<b>Examples</b>	<code>CALCULATE:PERROR:MARKER1:PEAK:HIGHER</code> moves Marker 1 (M1) to the next peak higher in amplitude on the trace.

### **CALCulate:PERRor:MARKer<x>:PEAK:LEFT (No Query Form)**

Moves the selected marker to the next peak to the left on the trace in the Phase error versus Time measurement.

<b>Conditions</b>	Measurement views: Phase error versus Time
<b>Group</b>	Calculate commands

**Syntax**     `CALCulate:PERRor:MARKer<x>:PEAK:LEFT`

**Related Commands**     [CALCulate:PERRor:MARKer<x>:PEAK:RIGHT](#)

**Arguments**     None

**Examples**     `CALCULATE:PERROR:MARKER1:PEAK:LEFT` moves Marker 1 (M1) to the next peak to the left on the trace.

## **CALCulate:PERRor:MARKer<x>:PEAK:LOWer (No Query Form)**

Moves the selected marker to the next peak lower in amplitude on the Phase error versus Time trace.

**Conditions**     Measurement views: Phase error versus Time

**Group**     Calculate commands

**Syntax**     `CALCulate:PERRor:MARKer<x>:PEAK:LOWer`

**Related Commands**     [CALCulate:PERRor:MARKer<x>:PEAK:HIGHer](#)

**Arguments**     None

**Examples**     `CALCULATE:PERROR:MARKER1:PEAK:LOWER` moves Marker 1 (M1) lower in amplitude to the next peak on the trace.

## **CALCulate:PERRor:MARKer<x>:PEAK:RIGHT (No Query Form)**

Moves the selected marker to the next peak to the right on the trace in the Phase error versus Time measurement.

**Conditions**     Measurement views: Phase error versus Time

**Group**     Calculate commands

**Syntax**      `CALCulate:PERRor:MARKer<x>:PEAK:RIGHT`

**Related Commands**      [CALCulate:PERRor:MARKer<x>:PEAK:LEFT](#)

**Arguments**      None

**Examples**      `CALCULATE:PERROR:MARKER1:PEAK:RIGHT` moves Marker 1 (M1) to the next peak to the right on the trace.

## **CALCulate:PERRor:MARKer<x>:X**

Sets or queries the horizontal position of the selected marker in the Phase error versus Time measurement.

**Conditions**      Measurement views: Phase error versus Time

**Group**      Calculate commands

**Syntax**      `CALCulate:PERRor:MARKer<x>:X <value>`  
`CALCulate:PERRor:MARKer<x>:X?`

**Arguments**      `<value>::=<Nrf>` specifies the horizontal position of the marker.  
 Range: (analysis offset) to [(analysis offset) + (analysis length)].  
 The unit can be changed by the [\[SENSE\]:DDEMod:TIME:UNITs](#) command.

**Examples**      `CALCULATE:PERROR:MARKER1:X 1.5u` places Marker 1 (M1) at 1.5  $\mu$ s on the trace.

## **CALCulate:PERRor:MARKer<x>:Y? (Query Only)**

Queries the marker amplitude of the selected marker in the Phase error versus Time measurement.

**Conditions**      Measurement views: Phase error versus Time

**Group**      Calculate commands

**Syntax**     `CALCulate:PERror:MARKer<x>:Y?`

**Related Commands**     [CALCulate:PERror:MARKer<x>:X](#)

**Arguments**     None

**Returns**     <Nrf> Marker amplitude of the selected marker in degrees.

**Examples**     `CALCULATE:PERror:MARKer1:Y?` might return `21.04`, indicating Marker 1 (M1) is at 21.04 °.

## **CALCulate:PHVTime:MARKer<x>:DELTA:X? (Query Only)**

Returns the delta marker time for the selected marker in the Phase versus Time measurement.

The parameter <x> = 1 to 4; MARKer0 (reference marker) is invalid. The specified marker must be activated using the [CALCulate:MARKer:ADD](#) command.

**Conditions**     Measurement views: Phase versus Time

**Group**     Calculate commands

**Syntax**     `CALCulate:PHVTime:MARKer<x>:DELTA:X?`

**Related Commands**     [CALCulate:PHVTime:MARKer<x>:DELTA:Y?](#)

**Arguments**     None

**Returns**     <Nrf> Delta marker time for the selected marker.

**Examples**     `CALCULATE:PHVTime:MARKer1:DELTA:X?` might return `38.0E-9`, indicating that the delta marker time is 38.0 ns.

## CALCulate:PHVTime:MARKer<x>:DELTA:Y? (Query Only)

Returns the delta marker phase for the selected marker in the Phase versus Time measurement.

The parameter <x> = 1 to 4; MARKer0 (reference marker) is invalid. The specified marker must be activated using the [CALCulate:MARKer:ADD](#) command.

<b>Conditions</b>	Measurement views: Phase versus Time
<b>Group</b>	Calculate commands
<b>Syntax</b>	CALCulate:PHVTime:MARKer<x>:DELTA:Y?
<b>Related Commands</b>	<a href="#">CALCulate:PHVTime:MARKer&lt;x&gt;:DELTA:X?</a>
<b>Arguments</b>	None
<b>Returns</b>	<NRf> Delta marker phase for the selected marker in degrees.
<b>Examples</b>	CALCULATE:PHVTIME:MARKER1:DELTA:Y? might return 162.38, indicating that the delta marker phase is 162.38 °.

## CALCulate:PHVTime:MARKer<x>:MAXimum (No Query Form)

Moves the selected marker to the highest peak on the trace in the Phase versus Time measurement.

<b>Conditions</b>	Measurement views: Phase versus Time
<b>Group</b>	Calculate commands
<b>Syntax</b>	CALCulate:PHVTime:MARKer<x>:MAXimum
<b>Arguments</b>	None



**Examples**     `CALCULATE:PHVTIME:MARKER1:MAXIMUM` moves Marker 1 (M1) to the highest peak on the trace.

## **CALCulate:PHVTime:MARKer<x>:PEAK:HIGHer (No Query Form)**

Moves the selected marker to the next peak higher in amplitude on the Phase versus Time trace.

**Conditions**     Measurement views: Phase versus Time

**Group**     Calculate commands

**Syntax**     `CALCulate:PHVTime:MARKer<x>:PEAK:HIGHer`

**Related Commands**     [CALCulate:PHVTime:MARKer<x>:PEAK:LOWer](#)

**Arguments**     None

**Examples**     `CALCULATE:PHVTIME:MARKER1:PEAK:HIGHER` moves Marker 1 (M1) to the next peak higher in amplitude on the trace.

## **CALCulate:PHVTime:MARKer<x>:PEAK:LEFT (No Query Form)**

Moves the selected marker to the next peak to the left on the trace in the Phase versus Time measurement.

**Conditions**     Measurement views: Phase versus Time

**Group**     Calculate commands

**Syntax**     `CALCulate:PHVTime:MARKer<x>:PEAK:LEFT`

**Related Commands**     [CALCulate:PHVTime:MARKer<x>:PEAK:RIGHT](#)

**Arguments**     None

**Examples**     `CALCULATE:PHVTIME:MARKER1:PEAK:LEFT` moves Marker 1 (M1) to the next peak to the left on the trace.

## **CALCulate:PHVTime:MARKer<x>:PEAK:LOWer (No Query Form)**

Moves the selected marker to the next peak lower in amplitude on the Phase versus Time trace.

**Conditions**     Measurement views: Phase versus Time

**Group**     Calculate commands

**Syntax**     `CALCulate:PHVTime:MARKer<x>:PEAK:LOWer`

**Related Commands**     [CALCulate:PHVTime:MARKer<x>:PEAK:HIGHer](#)

**Arguments**     None

**Examples**     `CALCULATE:PHVTIME:MARKER1:PEAK:LOWER` moves Marker 1 (M1) to the next peak lower in amplitude on the trace.

## **CALCulate:PHVTime:MARKer<x>:PEAK:RIGHT (No Query Form)**

Moves the selected marker to the next peak to the right on the trace in the Phase versus Time measurement.

**Conditions**     Measurement views: Phase versus Time

**Group**     Calculate commands

**Syntax**     `CALCulate:PHVTime:MARKer<x>:PEAK:RIGHT`

**Related Commands**     [CALCulate:PHVTime:MARKer<x>:PEAK:LEFT](#)

**Arguments**     None

**Examples**     `CALCULATE:PHVTIME:MARKER1:PEAK:RIGHT` moves Marker 1 (M1) to the next peak to the right on the trace.

## **CALCulate:PHVTime:MARKer<x>:X**

Sets or queries the horizontal position of the selected marker in the Phase versus Time measurement.

**Conditions**     Measurement views: Phase versus Time

**Group**     Calculate commands

**Syntax**     `CALCulate:PHVTime:MARKer<x>:X <value>`  
`CALCulate:PHVTime:MARKer<x>:X?`

**Related Commands**     [CALCulate:PHVTime:MARKer<x>:Y?](#)

**Arguments**     `<value> ::= <NRf>` specifies the horizontal position of the marker.  
 Range: (analysis offset) to [(analysis offset) + (analysis length)].

**Examples**     `CALCULATE:PHVTIME:MARKER1:X 1.5US` places Marker 1 (M1) at 1.5  $\mu$ s on the trace.

## **CALCulate:PHVTime:MARKer<x>:Y? (Query Only)**

Queries the marker amplitude of the selected marker in the Phase versus Time measurement.

**Conditions**     Measurement views: Phase versus Time

**Group**     Calculate commands

**Syntax**     `CALCulate:PHVTime:MARKer<x>:Y?`

**Related Commands**     [CALCulate:PHVTime:MARKer<x>:X](#)

**Arguments**     None

**Returns** <NRF> Marker amplitude of the selected marker in degrees.

**Examples** CALCULATE:PHVTIME:MARKER1:Y? might return -18.435, indicating Marker 1 (M1) is at -18.435 °.

## CALCulate:PULSe:STATistics:FFT:INDicator:X

Sets or queries the frequency in Hz for the X indicator. This command is valid when DISPLAY:PULSe:STATistics:PLOT is set to FFT.

**Conditions** Measurement views: Pulse statistics

**Group** Calculate commands

**Syntax** CALCulate:PULSe:STATistics:FFT:INDicator:X <value>  
CALCulate:PULSe:STATistics:FFT:INDicator:X?

**Related Commands** [CALCulate:PULSe:STATistics:FFT:INDicator:Y?](#)

**Arguments** <value>::=<NRF> specifies the indicator X value in Hz.

**Examples** CALCULATE:PULSE:STATISTICS:FFT:INDICATOR:X 1000 sets the FFT indicator X value to 1 kHz.

## CALCulate:PULSe:STATistics:FFT:INDicator:Y? (Query Only)

Returns the frequency level in dB for the Y indicator. This command is valid when DISPLAY:PULSe:STATistics:PLOT is set to FFT.

**Conditions** Measurement views: Pulse statistics

**Group** Calculate commands

**Syntax** CALCulate:PULSe:STATistics:FFT:INDicator:Y?

**Related Commands** [CALCulate:PULSe:STATistics:FFT:INDicator:X](#)

**Returns** <NRf> the indicator Y value in dB.

**Examples** CALCULATE:PULSE:STATISTICS:FFT:INDICATOR:Y? might return -34.5 indicating that the FFT indicator is at -34.5 dB.

## CALCulate:PULSe:STATistics:HISTogram:INDicator:X

Sets or queries the histogram indicator X value. This command is valid when [DISPlay:PULSe:STATistics:PLOT](#) is set to histogram.

**Conditions** Measurement views: Pulse statistics

**Group** Calculate commands

**Syntax** CALCulate:PULSe:STATistics:HISTogram:INDicator:X <value>  
CALCulate:PULSe:STATistics:HISTogram:INDicator:X?

**Related Commands** [CALCulate:PULSe:STATistics:HISTogram:INDicator:Y?](#)

**Arguments** <value>::=<NRf> specifies the indicator X value.

**Examples** CALCULATE:PULSE:STATISTICS:HISTOGRAM:INDICATOR:X 0.3 sets the histogram indicator X value to 0.3.

## CALCulate:PULSe:STATistics:HISTogram:INDicator:Y? (Query Only)

Queries the Histogram indicator Y value. This command is valid when [DISPlay:PULSe:STATistics:PLOT](#) is set to Histogram.

**Conditions** Measurement views: Pulse statistics

**Group** Calculate commands

**Syntax** CALCulate:PULSe:STATistics:HISTogram:INDicator:Y?

**Related Commands** [CALCulate:PULSe:STATistics:HISTogram:INDicator:X](#)

**Returns** <Nrf> indicates the indicator Y value.

**Examples** CALCULATE:PULSE:STATISTICS:HISTOGRAM:INDICATOR:Y? might return 20 to indicate 20 counts in the histogram bin.

## CALCulate:PULSe:STATistics:MARKer<x>:DELTA:X? (Query Only)

Returns the delta marker time for the selected marker on the pulse trace. This command is valid when DISPLAY:PULSe:STATistics:PLOT is set to Time Trend.

The parameter <x> = 1 to 4; MARKer0 (reference marker) is invalid. The specified marker must be activated using the [CALCulate:MARKer:ADD](#) command.

**Conditions** Measurement views: Pulse statistics

**Group** Calculate commands

**Syntax** CALCulate:PULSe:STATistics:MARKer<x>:DELTA:X?

**Related Commands** [DISPlay:PULSe:STATistics:PLOT](#)  
[CALCulate:PULSe:STATistics:MARKer<x>:DELTA:Y?](#)

**Returns** <Nrf> Delta marker time in seconds for the selected marker.

**Examples** CALCULATE:PULSE:STATISTICS:MARKER1:DELTA:X? might return 3.01e-3, indicating that the delta marker time is 3.01 ms.

## CALCulate:PULSe:STATistics:MARKer<x>:DELTA:Y? (Query Only)

Returns the delta marker amplitude for the selected marker on the pulse trace. This command is valid when DISPLAY:PULSe:STATistics:PLOT is set to Time Trend.

The parameter <x> = 1 to 4; MARKer0 (reference marker) is invalid. The specified marker must be activated using the [CALCulate:MARKer:ADD](#) command.

**Conditions** Measurement views: Pulse statistics

<b>Group</b>	Calculate commands
<b>Syntax</b>	<code>CALCulate:PULSE:STATISTICS:MARKer&lt;x&gt;:DELTA:Y?</code>
<b>Related Commands</b>	<a href="#">DISPlay:PULSE:STATISTICS:PLOT</a> <a href="#">CALCulate:PULSE:STATISTICS:MARKer&lt;x&gt;:DELTA:X?</a>
<b>Returns</b>	<NRF> Delta marker amplitude for the selected marker, in the unit of the current measurement.
<b>Examples</b>	<code>CALCULATE:PULSE:STATISTICS:MARKER1:DELTA:Y?</code> might return 2.345, indicating that the delta marker amplitude is 2.345 dB.

## **CALCulate:PULSE:STATISTICS:MARKer<x>:MAXimum (No Query Form)**

Moves the selected marker to the highest peak on the pulse statistics trace. This command is valid when [DISPlay:PULSE:STATISTICS:PLOT](#) is set to Time Trend.

<b>Conditions</b>	Measurement views: Pulse statistics
<b>Group</b>	Calculate commands
<b>Syntax</b>	<code>CALCulate:PULSE:STATISTICS:MARKer&lt;x&gt;:MAXimum</code>
<b>Arguments</b>	None
<b>Examples</b>	<code>CALCULATE:PULSE:STATISTICS:MARKER1:MAXIMUM</code> moves Marker 1 (M1) to the highest peak on the trace.

## **CALCulate:PULSE:STATISTICS:MARKer<x>:PEAK:HIGHer (No Query Form)**

Moves the selected marker to the next peak higher in amplitude on the pulse statistics trace. This command is valid when [DISPlay:PULSE:STATISTICS:PLOT](#) is set to Time Trend.

<b>Conditions</b>	Measurement views: Pulse statistics
-------------------	-------------------------------------

<b>Group</b>	Calculate commands
<b>Syntax</b>	<code>CALCulate:PULSE:STATISTICS:MARKer&lt;x&gt;:PEAK:HIGHer</code>
<b>Related Commands</b>	<a href="#">CALCulate:PULSE:STATISTICS:MARKer&lt;x&gt;:PEAK:LOWer</a>
<b>Arguments</b>	None
<b>Examples</b>	<code>CALCULATE:PULSE:STATISTICS:MARKER1:PEAK:HIGHER</code> moves Marker 1 (M1) to the next peak higher in amplitude on the trace.

### **CALCulate:PULSE:STATISTICS:MARKer<x>:PEAK:LEFT (No Query Form)**

Moves the selected marker to the next peak to the left on the pulse statistics trace. This command is valid when [DISPLAY:PULSE:STATISTICS:PLOT](#) is set to Time Trend.

<b>Conditions</b>	Measurement views: Pulse statistics
<b>Group</b>	Calculate commands
<b>Syntax</b>	<code>CALCulate:PULSE:STATISTICS:MARKer&lt;x&gt;:PEAK:LEFT</code>
<b>Related Commands</b>	<a href="#">CALCulate:PULSE:STATISTICS:MARKer&lt;x&gt;:PEAK:RIGHT</a>
<b>Arguments</b>	None
<b>Examples</b>	<code>CALCULATE:PULSE:STATISTICS:MARKER1:PEAK:LEFT</code> moves Marker 1 (M1) to the next peak to the left on the trace.

### **CALCulate:PULSE:STATISTICS:MARKer<x>:PEAK:LOWER (No Query Form)**

Moves the selected marker to the next peak lower in amplitude on the pulse statistics trace. This command is valid when [DISPLAY:PULSE:STATISTICS:PLOT](#) is set to Time Trend.

<b>Conditions</b>	Measurement views: Pulse statistics
-------------------	-------------------------------------



<b>Group</b>	Calculate commands
<b>Syntax</b>	<code>CALCulate:PULSE:STATISTICS:MARKer&lt;x&gt;:PEAK:LOWER</code>
<b>Related Commands</b>	<a href="#">CALCulate:PULSE:STATISTICS:MARKer&lt;x&gt;:PEAK:HIGHer</a>
<b>Arguments</b>	None
<b>Examples</b>	<code>CALCULATE:PULSE:STATISTICS:MARKER1:PEAK:LOWER</code> moves Marker 1 (M1) to the next peak lower in amplitude on the trace.

### **CALCulate:PULSE:STATISTICS:MARKer<x>:PEAK:RIGHT (No Query Form)**

Moves the selected marker to the next peak to the right on the pulse statistics trace. This command is valid when [DISPlay:PULSE:STATISTICS:PLOT](#) is set to Time Trend.

<b>Conditions</b>	Measurement views: Pulse statistics
<b>Group</b>	Calculate commands
<b>Syntax</b>	<code>CALCulate:PULSE:STATISTICS:MARKer&lt;x&gt;:PEAK:RIGHT</code>
<b>Related Commands</b>	<a href="#">CALCulate:PULSE:STATISTICS:MARKer&lt;x&gt;:PEAK:LEFT</a>
<b>Arguments</b>	None
<b>Examples</b>	<code>CALCULATE:PULSE:STATISTICS:MARKER1:PEAK:RIGHT</code> moves Marker 1 (M1) to the next peak to the right on the trace.

### **CALCulate:PULSE:STATISTICS:MARKer<x>:X**

Sets or queries the horizontal position of the selected marker in the pulse statistics view. This command is valid when [DISPlay:PULSE:STATISTICS:PLOT](#) is set to Time Trend.

<b>Conditions</b>	Measurement views: Pulse statistics
-------------------	-------------------------------------

<b>Group</b>	Calculate commands
<b>Syntax</b>	CALCulate:PULSE:STATistics:MARKer<x>:X <value> CALCulate:PULSE:STATistics:MARKer<x>:X?
<b>Related Commands</b>	<a href="#">CALCulate:PULSE:STATistics:MARKer&lt;x&gt;:Y?</a>
<b>Arguments</b>	<value>::=<NRF> specifies the horizontal position of the marker.
<b>Examples</b>	CALCULATE:PULSE:STATISTICS:MARKER1:X 3.01e-3 places Marker 1 (M1) at 3.01 ms on the trace.

## CALCulate:PULSE:STATistics:MARKer<x>:Y? (Query Only)

Queries the marker amplitude of the selected marker in the pulse statistics view. This command is valid when [DISPlay:PULSE:STATistics:PLOT](#) is set to Time Trend.

<b>Conditions</b>	Measurement views: Pulse statistics
<b>Group</b>	Calculate commands
<b>Syntax</b>	CALCulate:PULSE:STATistics:MARKer<x>:Y?
<b>Related Commands</b>	<a href="#">CALCulate:PULSE:STATistics:MARKer&lt;x&gt;:X</a>
<b>Arguments</b>	None
<b>Returns</b>	<NRF> Amplitude of the specified marker in the unit of the current measurement.
<b>Examples</b>	CALCULATE:PULSE:STATISTICS:MARKER1:Y? might return -28.173, indicating Marker 1 (M1) is at -28.173 dB.

## CALCulate:PULSe:TRACe:MARKer<x>:DELTA:X? (Query Only)

Returns the delta marker time for the selected marker on the pulse trace.

The parameter <x> = 1 to 4; MARKer0 (reference marker) is invalid. The specified marker must be activated using the [CALCulate:MARKer:ADD](#) command.

**Conditions** Measurement views: Pulse trace

**Group** Calculate commands

**Syntax** CALCulate:PULSe:TRACe:MARKer<x>:DELTA:X?

**Related Commands** [CALCulate:PULSe:TRACe:MARKer<x>:DELTA:Y?](#)

**Arguments** None

**Returns** <Nrf>Delta marker time for the selected marker.

**Examples** CALCULATE:PULSE:TRACE:MARKER1:DELTA:X? might return 38.0E-9, indicating that the delta marker time is 38.0 ns.

## CALCulate:PULSe:TRACe:MARKer<x>:DELTA:Y? (Query Only)

Returns the delta marker amplitude for the selected marker on the pulse trace.

The parameter <x> = 1 to 4; MARKer0 (reference marker) is invalid. The specified marker must be activated using the [CALCulate:MARKer:ADD](#) command.

**Conditions** Measurement views: Pulse trace

**Group** Calculate commands

**Syntax** CALCulate:PULSe:TRACe:MARKer<x>:DELTA:Y?

**Related Commands** [CALCulate:PULSe:TRACe:MARKer<x>:DELTA:X?](#)

<b>Arguments</b>	None
<b>Returns</b>	<NRF> Delta marker amplitude for the selected marker.
<b>Examples</b>	CALCULATE:PULSE:TRACE:MARKER1:DELTA:Y? might return 23.45, indicating that the delta marker amplitude is 23.45 dB.

## CALCulate:PULSe:TRACe:MARKer<x>:MAXimum (No Query Form)

Moves the selected marker to the highest peak on the pulse trace.

<b>Conditions</b>	Measurement views: Pulse trace
<b>Group</b>	Calculate commands
<b>Syntax</b>	CALCulate:PULSe:TRACe:MARKer<x>:MAXimum
<b>Arguments</b>	None
<b>Examples</b>	CALCULATE:PULSE:TRACE:MARKER1:MAXIMUM moves Marker 1 (M1) to the highest peak on the trace.

## CALCulate:PULSe:TRACe:MARKer<x>:PEAK:HIGHer (No Query Form)

Moves the selected marker to the next peak higher in amplitude on the pulse trace.

<b>Conditions</b>	Measurement views: Pulse trace
<b>Group</b>	Calculate commands
<b>Syntax</b>	CALCulate:PULSe:TRACe:MARKer<x>:PEAK:HIGHer
<b>Related Commands</b>	<a href="#">CALCulate:PULSe:TRACe:MARKer&lt;x&gt;:PEAK:LOWer</a>
<b>Arguments</b>	None

**Examples**    `CALCULATE:PULSE:TRACE:MARKER1:PEAK:HIGHER` moves Marker 1 (M1) to the next peak higher in amplitude on the trace.

## **CALCulate:PULSe:TRACe:MARKer<x>:PEAK:LEFT (No Query Form)**

Moves the selected marker to the next peak to the left on the pulse trace.

**Conditions**    Measurement views: Pulse trace

**Group**    Calculate commands

**Syntax**    `CALCulate:PULSe:TRACe:MARKer<x>:PEAK:LEFT`

**Related Commands**    [CALCulate:PULSe:TRACe:MARKer<x>:PEAK:RIGHT](#)

**Arguments**    None

**Examples**    `CALCULATE:PULSE:TRACE:MARKER1:PEAK:LEFT` moves Marker 1 (M1) to the next peak to the left on the trace.

## **CALCulate:PULSe:TRACe:MARKer<x>:PEAK:LOWer (No Query Form)**

Moves the selected marker to the next peak lower in amplitude on the pulse trace.

**Conditions**    Measurement views: Pulse trace

**Group**    Calculate commands

**Syntax**    `CALCulate:PULSe:TRACe:MARKer<x>:PEAK:LOWer`

**Related Commands**    [CALCulate:PULSe:TRACe:MARKer<x>:PEAK:HIGHer](#)

**Arguments**    None

**Examples**    `CALCULATE:PULSE:TRACE:MARKER1:PEAK:LOWER` moves Marker 1 (M1) to the next peak lower in amplitude on the trace.

## CALCulate:PULSe:TRACe:MARKer<x>:PEAK:RIGHT (No Query Form)

Moves the selected marker to the next peak to the right on the pulse trace.

<b>Conditions</b>	Measurement views: Pulse trace
<b>Group</b>	Calculate commands
<b>Syntax</b>	CALCulate:PULSe:TRACe:MARKer<x>:PEAK:RIGHT
<b>Related Commands</b>	<a href="#">CALCulate:PULSe:TRACe:MARKer&lt;x&gt;:PEAK:LEFT</a>
<b>Arguments</b>	None
<b>Examples</b>	CALCULATE:PULSE:TRACE:MARKER1:PEAK:RIGHT moves Marker 1 (M1) to the next peak to the right on the trace.

## CALCulate:PULSe:TRACe:MARKer<x>:X

Sets or queries the horizontal position of the selected marker in the pulse trace view.

<b>Conditions</b>	Measurement views: Pulse trace
<b>Group</b>	Calculate commands
<b>Syntax</b>	CALCulate:PULSe:TRACe:MARKer<x>:X <value> CALCulate:PULSe:TRACe:MARKer<x>:X?
<b>Related Commands</b>	<a href="#">CALCulate:PULSe:TRACe:MARKer&lt;x&gt;:Y?</a>
<b>Arguments</b>	<value>::=<NRF> specifies the horizontal position of the marker.

---

**NOTE.** To set the horizontal position, the marker must be on the trace of the pulse selected using the [DISPlay:PULSe:SElect:NUMBer](#) command. You cannot put the marker out of the horizontal range of the pulse.

---

**Examples**    `CALCULATE:PULSE:TRACE:MARKER1:X 1.5us` places Marker 1 (M1) at 1.5  $\mu$ s on the trace.

## **CALCulate:PULSe:TRACe:MARKer<x>:Y? (Query Only)**

Queries the marker amplitude of the selected marker in the pulse trace view.

**Conditions**    Measurement views: Pulse trace

**Group**    Calculate commands

**Syntax**    `CALCulate:PULSe:TRACe:MARKer<x>:Y?`

**Related Commands**    [CALCulate:PULSe:TRACe:MARKer<x>:X](#)

**Arguments**    None

**Returns**    <NRF> Marker amplitude of the selected marker.

**Examples**    `CALCULATE:PULSE:TRACE:MARKER1:Y?` might return `-28.86`, indicating Marker 1 (M1) is at -28.86 dBm.

## **CALCulate:SEARch:LIMit:FAIL? (Query Only)**

Queries whether the waveform cuts across the limit in the search operation.

**Conditions**    Measurement views: All

**Group**    Calculate commands

**Syntax**    `CALCulate:SEARch:LIMit:FAIL?`

**Arguments**    None

**Returns**    { 0 | 1 }

0 represents Pass, indicating that the waveform does not cut across the limit.

1 represents Fail, indicating that the waveform cuts across the limit.

**Examples**     `CALCULATE:SEARCH:LIMIT:FAIL?` might return 1, indicating that the waveform cuts across the limit (Fail).

## **CALCulate:SEARCh:LIMit:MATCH:BEEP[:STATe]**

Determines whether or not to beep on match during run or replay in the search operation.

**Conditions**     Measurement views: All

**Group**     Calculate commands

**Syntax**     `CALCulate:SEARCh:LIMit:MATCH:BEEP[:STATe] { OFF | ON | 0 | 1 }`  
`CALCulate:SEARCh:LIMit:MATCH:BEEP[:STATe]?`

**Arguments**     OFF or 0 disables to beep on match.  
                       ON or 1 enables to beep on match.

**Examples**     `CALCULATE:SEARCH:LIMIT:MATCH:BEEP:STATE ON` enables to beep on match.

## **CALCulate:SEARCh:LIMit:MATCH:SACQuire[:STATe]**

Determines whether or not to stop acquiring data on match during run or replay in the search operation.

**Conditions**     Measurement views: All

**Group**     Calculate commands

**Syntax**     `CALCulate:SEARCh:LIMit:MATCH:SACQuire[:STATe] { OFF | ON | 0 | 1 }`  
`CALCulate:SEARCh:LIMit:MATCH:SACQuire[:STATe]?`



- Arguments** OFF or 0 disables to stop acquiring data on match.  
ON or 1 enables to stop acquiring data on match.
- Examples** CALCULATE:SEARCH:LIMIT:MATCH:SACQUIRE:STATE ON enables to stop acquiring data on match.

## CALCulate:SEARCh:LIMit:MATCH:SDATa[:STATE]

Determines whether or not to save automatically (AutoSave) acquisition data on match during run in the search operation.

- Conditions** Measurement views: All
- Group** Calculate commands
- Syntax** CALCulate:SEARCh:LIMit:MATCH:SDATa[:STATE] { OFF | ON | 0 | 1 }  
CALCulate:SEARCh:LIMit:MATCH:SDATa[:STATE]?
- Arguments** OFF or 0 disables the AutoSave.  
ON or 1 enables to save acquisition data automatically on match.  
The data is saved to a file with the name:  
    <name>-yyyy.mm.dd.hh.mm.ss.sss.tiq  
Where  
    <name> is the file name that was last specified.  
    yyyy.mm.dd and hh.mm.ss.sss represent date and 24 hour time.  
    The file extension is .tiq.  
    Example: SAVED-2007.03.20.12.34.567.tiq  
For the directory of file, refer to *Specifying the File* (See page 2-56.) in the MMEMory command section.
- Examples** CALCULATE:SEARCH:LIMIT:MATCH:SDATA:STATE ON enables to save acquisition data automatically on match.

## CALCulate:SEARCh:LIMit:MATCH:SPICture[:STATE]

Determines whether or not to save automatically (AutoSave) the whole screen on match during run in the search operation.

<b>Conditions</b>	Measurement views: All
<b>Group</b>	Calculate commands
<b>Syntax</b>	<pre>CALCulate:SEARCH:LIMit:MATCH:SPICture[:STATE] { OFF   ON   0   1 } CALCulate:SEARCH:LIMit:MATCH:SPICture[:STATE]?</pre>
<b>Arguments</b>	<p>OFF or 0 disables the AutoSave.</p> <p>ON or 1 enables to save the whole screen automatically on match. The picture is saved to a file with the name:</p> <pre>&lt;name&gt;-yyyy.mm.dd.hh.mm.ss.sss.png</pre> <p>Where &lt;name&gt; is the file name that was last specified. yyyy.mm.dd and hh.mm.ss.sss represent date and 24 hour time. The file extension is .png. Example: SAVED-2007.03.20.12.34.567.png</p> <p>For the directory of file, refer to <i>Specifying the File</i> (See page 2-56.) in the MMEMory command section.</p>
<b>Examples</b>	<pre>CALCULATE:SEARCH:LIMIT:MATCH:SPICTURE:STATE ON</pre> <p>enables to save the whole screen automatically on match.</p>

## **CALCulate:SEARCh:LIMit:MATCH:STRace[:STATE]**

Determines whether or not to save automatically (AutoSave) the spectrum trace on match during run in the search operation.

<b>Conditions</b>	Measurement views: All
<b>Group</b>	Calculate commands
<b>Syntax</b>	<pre>CALCulate:SEARCH:LIMit:MATCH:STRace[:STATE] { OFF   ON   0   1 } CALCulate:SEARCH:LIMit:MATCH:STRace[:STATE]?</pre>
<b>Arguments</b>	<p>OFF or 0 disables the AutoSave.</p> <p>ON or 1 enables to save the spectrum trace automatically on match.</p>

The trace is saved to a file with the name:

```
<name>-yyyy.mm.dd.hh.mm.ss.sss.Specan
```

Where

<name> is the file name that was last specified.

yyyy.mm.dd and hh.mm.ss.sss represent date and 24 hour time.

The file extension is .Specan.

Example: SAVED-2007.03.20.12.34.567.Specan

For the directory of file, refer to *Specifying the File* (See page 2-56.) in the MMEMory command section.

**Examples**     `CALCULATE:SEARCH:LIMIT:MATCH:STRACE:STATE ON` enables to save the spectrum trace automatically on match.

## CALCulate:SEARch:LIMit:OPERation

Sets or queries the search condition.

**Conditions**     Measurement views: All

**Group**     Calculate commands

**Syntax**     `CALCulate:SEARch:LIMit:OPERation { LT | GT | IMASK | OMASK }`  
`CALCulate:SEARch:LIMit:OPERation?`

**Related Commands**     [CALCulate:SEARch:LIMit:OPERation:SLIMit](#)

**Arguments**     The following table lists the arguments.

### Search condition

Argument	Meaning
LT	The data is less than the limit value.
GT	The data is greater than the limit value.
IMASK	The data is inside the limit mask.
OMASK	The data is outside the limit mask.

You can select the data using the [CALCulate:SEARch:LIMit:OPERation:FEED](#) command.

You can set the limit value using the [CALCulate:SEARch:LIMit:OPERation:SLIMit](#) command.

You can store and load the limit mask using the `CALCulate:SEARch:LIMit:OPERation:MASK:STORE` and `CALCulate:SEARch:LIMit:OPERation:MASK:LOAD` commands.

**Examples** `CALCULATE:SEARCH:LIMIT:OPERATIONGT` selects "the data is greater than the limit value" for the search condition.

## CALCulate:SEARch:LIMit:OPERation:FEED

Sets or queries the data flow to be fed in the search operation.

**Conditions** Measurement views: All

**Group** Calculate commands

**Syntax** `CALCulate:SEARch:LIMit:OPERation:FEED <view>,<trace>`  
`CALCulate:SEARch:LIMit:OPERation:FEED?`

**Arguments** `<view>::=<string>` and `<trace>::=<string>` are listed in the following table.

### Source data of the search operation

<b>&lt;view&gt;</b>	<b>&lt;trace&gt;</b>	<b>Meaning</b>
"Spectrum"	"Trace 1" <sup>1</sup>	Trace 1 in the Spectrum view.
	"Trace 2" <sup>1</sup>	Trace 2 in the Spectrum view.
	"Trace 3" <sup>1</sup>	Trace 3 in the Spectrum view.
	"Math Trace"	Math trace in the Spectrum view.
	"Spectrogram Trace"	Spectrogram trace in the Spectrum view.

<sup>1</sup> There is a space character between Trace and the number.

**Examples** `CALCULATE:SEARCH:LIMIT:OPERATION:FEED"Spectrum","Trace 1"` selects the Trace 1 in the Spectrum measurement view for the search operation.

`CALCULATE:SEARCH:LIMIT:OPERATION:FEED?` might return "Spectrum", "Math Trace", indicating that the math trace is used as the source data in the search operation.

## CALCulate:SEARch:LIMit:OPERation:MASK:LOAD (No Query Form)

Loads the specified limit mask file for the search operation.

**Conditions** Measurement views: All

**Group** Calculate commands

**Syntax** CALCulate:SEARch:LIMit:OPERation:MASK:LOAD <file\_name>

**Arguments** <file\_name>::=<string> specifies the file to load the limit mask from. The file extension is .lmt. You can omit the extension.

For the directory of file, refer to *Specifying the File* (See page 2-56.) in the MMEMory command section.

**Examples** CALCULATE:SEARCH:LIMIT:OPERATION:MASK:LOAD"Limit1" loads the limit mask from the *Limit1.lmt* file.

## CALCulate:SEARch:LIMit:OPERation:MASK:STORE (No Query Form)

Stores the limit mask to a specified file in the search operation.

**Conditions** Measurement views: All

**Group** Calculate commands

**Syntax** CALCulate:SEARch:LIMit:OPERation:MASK:STORE <file\_name>

**Arguments** <file\_name>::=<string> specifies the file to store the limit mask to. The file extension is .lmt. You can omit the extension.

For the directory of file, refer to *Specifying the File* (See page 2-56.) in the MMEMory command section.

**Examples** CALCULATE:SEARCH:LIMIT:OPERATION:MASK:STORE"Limit1" stores the limit mask to the *Limit1.lmt* file.

## CALCulate:SEARch:LIMit:OPERation:SLIMit

Sets or queries the limit value (in dB) in the search operation.

<b>Conditions</b>	Measurement views: All
<b>Group</b>	Calculate commands
<b>Syntax</b>	CALCulate:SEARch:LIMit:OPERation:SLIMit <value> CALCulate:SEARch:LIMit:OPERation:SLIMit?
<b>Related Commands</b>	<a href="#">CALCulate:SEARch:LIMit:OPERation</a>
<b>Arguments</b>	<value> ::= <NRF> specifies the limit value in the search operation. Range: -100 to +100 dBm.
<b>Examples</b>	CALCULATE:SEARCH:LIMIT:OPERATION:SLIMIT-20 sets the limit value to -20 dBm.

## CALCulate:SEARch:LIMit:REPort:DATA? (Query Only)

Returns the frequency range(s) that satisfy the search condition.

<b>Conditions</b>	Measurement views: All
<b>Group</b>	Calculate commands
<b>Syntax</b>	CALCulate:SEARch:LIMit:REPort:DATA?
<b>Arguments</b>	None
<b>Returns</b>	<num_range>, <range(1)>, <range(2)>, . . . , <range(n)> Where <num_range> ::= <NR1> is the number of ranges that satisfy the condition. <range(n)> ::= "<lower_freq(n)>, <upper_freq(n)>" (string) represents the n <sup>th</sup> frequency range that satisfy the search condition in ascending

order. <lower\_freq(n)> and <upper\_freq(n)> are the lower and upper frequencies of the range #n, respectively.

**Examples** CALCULATE:SEARCH:LIMIT:REPORT:DATA? might return 2, "1.4800E+9, 1.5001E+9", "1.5002E+9, 1.5200E+9", indicating that the search condition is satisfied in these two ranges 1.48 to 1.5001 GHz and 1.5002 to 1.52 GHz.

## CALCulate:SEARch:LIMit:REPort:POINTs? (Query Only)

Returns the number of frequency range(s) that satisfy the search condition.

**Conditions** Measurement views: All

**Group** Calculate commands

**Syntax** CALCulate:SEARch:LIMit:REPort:POINTs?

**Arguments** None

**Returns** <number> ::= <NR1> represents the number of frequency range(s) that satisfy the search condition.

**Examples** CALCULATE:SEARCH:LIMIT:REPORT:POINTS? might return 5, indicating that five ranges satisfy the search condition.

## CALCulate:SEARch:LIMit:STATe

Sets or queries the search function (enabled or disabled).

**Conditions** Measurement views: All

**Group** Calculate commands

**Syntax** CALCulate:SEARch:LIMit:STATe { OFF | ON | 0 | 1 }  
CALCulate:SEARch:LIMit:STATe?

- Arguments** OFF or 0 disables the search function.  
ON or 1 enables the search function.
- Examples** CALCULATE:SEARCH:LIMIT:STATEON enables the search function.

## CALCulate:SEM:MARKer<x>:DELTA:X? (Query Only)

Returns the delta marker frequency for the selected marker on the Spectral Emissions Mask trace.

The parameter <x> = 1 to 4; MARKer0 (reference marker) is invalid. The specified marker must be activated using the [CALCulate:MARKer:ADD](#) command.

- Conditions** Measurement views: Spectral Emissions Mask
- Group** Calculate commands
- Syntax** CALCulate:SEM:MARKer<x>:DELTA:X?
- Arguments** None
- Returns** <Nrf> Delta marker frequency for the selected marker.
- Examples** CALCulate:SEM:MARKer1:DELTA:X? might return 1.28E+6, indicating that the delta marker frequency is 1.28 MHz.

## CALCulate:SEM:MARKer<x>:DELTA:Y? (Query Only)

Returns the delta marker amplitude for the selected marker on the Spectral Emissions Mask trace.

The parameter <x> = 1 to 4; MARKer0 (reference marker) is invalid. The specified marker must be activated using the [CALCulate:MARKer:ADD](#) command.

- Conditions** Measurement views: Spectral Emissions Mask
- Group** Calculate commands



---

<b>Syntax</b>	<code>CALCulate:SEM:MARKer&lt;x&gt;:DELTA:Y?</code>
<b>Arguments</b>	None
<b>Returns</b>	<Nrf> Delta marker amplitude for the selected marker.
<b>Examples</b>	<code>CALCulate:SEM:MARKer1:DELTA:Y?</code> might return <code>23.45</code> , indicating that the delta marker amplitude is 23.45 dB.

### **CALCulate:SEM:MARKer<x>:MAXimum (No Query Form)**

Moves the selected marker to the highest peak on the Spectral Emissions Mask trace.

<b>Conditions</b>	Measurement views: Spectral Emissions Mask
<b>Group</b>	Calculate commands
<b>Syntax</b>	<code>CALCulate:SEM:MARKer&lt;x&gt;:MAXimum</code>
<b>Arguments</b>	None
<b>Examples</b>	<code>CALCulate:SEM:MARKer1:MAXimum</code> moves Marker 1 (M1) to the highest peak on the trace.

### **CALCulate:SEM:MARKer<x>:PEAK:HIGHer (No Query Form)**

Moves the selected marker to the next peak higher in amplitude on the Spectral Emissions Mask trace.

<b>Conditions</b>	Measurement views: Spectral Emissions Mask
<b>Group</b>	Calculate commands
<b>Syntax</b>	<code>CALCulate:SEM:MARKer&lt;x&gt;:PEAK:HIGHer</code>

**Arguments** None

**Examples** `CALCulate:SEM:MARKer1:PEAK:HIGHer` moves Marker 1 (M1) to the next peak higher in amplitude on the trace.

## **CALCulate:SEM:MARKer<x>:PEAK:LEFT (No Query Form)**

Moves the selected marker to the next peak to the left on the Spectral Emissions Mask trace.

**Conditions** Measurement views: Spectral Emissions Mask

**Group** Calculate commands

**Syntax** `CALCulate:SEM:MARKer<x>:PEAK:LEFT`

**Arguments** None

**Examples** `CALCulate:SEM:MARKer1:PEAK:LEFT` moves Marker 1 (M1) to the next peak to the left on the trace.

## **CALCulate:SEM:MARKer<x>:PEAK:LOWer (No Query Form)**

Moves the selected marker to the next peak lower in amplitude on the Spectral Emissions Mask trace.

**Conditions** Measurement views: Spectral Emissions Mask

**Group** Calculate commands

**Syntax** `CALCulate:SEM:MARKer<x>:PEAK:LOWer`

**Arguments** None

**Examples** `CALCulate:SEM:MARKer1:PEAK:LOWer` moves Marker 1 (M1) to the next peak lower in amplitude on the trace.

## CALCulate:SEM:MARKer<x>:PEAK:RIGHT (No Query Form)

Moves the selected marker to the next peak to the right on the Spectral Emissions Mask trace.

**Conditions** Measurement views: Spectral Emissions Mask

**Group** Calculate commands

**Syntax** CALCulate:SEM:MARKer<x>:PEAK:RIGHT

**Arguments** None

**Examples** CALCulate:SEM:MARKer1:PEAK:RIGHT moves Marker 1 (M1) to the next peak to the right on the trace.

## CALCulate:SEM:MARKer<x>[:SET]:CENTER (No Query Form)

Moves the specified marker to the center frequency.

**Conditions** Measurement views: Spectral Emissions Mask

**Group** eCalculate commands

**Syntax** CALCulate:SEM:MARKer<x>[:SET]:CENTER

**Arguments** None

**Examples** CALCulate:SEM:MARKer1[:SET]:CENTER moves Marker 1 (M1) to the center frequency.

## CALCulate:SEM:MARKer<x>:X

Sets or queries the horizontal position of the selected marker on the Spectral Emissions Mask trace.

**Conditions** Measurement views: Spectral Emissions Mask

**Group** Calculate commands

**Syntax** CALCulate:SEM:MARKer<x>:X <value>  
CALCulate:SEM:MARKer<x>:X?

**Arguments** <value>::=<NRF> specifies the horizontal position of the marker.

**Examples** CALCULATE:SEM:MARKER1:X 800MHZ places Marker 1 (M1) at 800 MHz on the spectrum trace.

## CALCulate:SEM:MARKer<x>:Y? (Query Only)

Queries the marker amplitude of the selected marker on the Spectral Emissions Mask trace.

**Conditions** Measurement views: Spectral Emissions Mask

**Group** Calculate commands

**Syntax** CALCulate:SEM:MARKer<x>:Y?

**Arguments** None

**Returns** <NRF> Marker amplitude of the selected marker.

**Examples** CALCULATE:SEM:MARKER1:Y? might return -34.28, indicating Marker 1 (M1) is at -34.28 dBm.

## CALCulate:SGRam:MARKer<x>:DELTA:X:FREQUENCY?

Returns the delta marker frequency for the selected marker in the spectrogram.

The parameter <x> = 1 to 4; MARKer0 (reference marker) is invalid. The specified marker must be activated using the [CALCulate:MARKer:ADD](#) command.

**Conditions** Measurement views: Spectrogram

**Group** Calculate commands

**Syntax** CALCulate:SGRam:MARKer<x>:DELTA:X:FREQUENCY?

**Related Commands** [CALCulate:SGRam:MARKer<x>:DELTA:Y?](#)

**Arguments** None

**Returns** <NRf> Delta marker frequency for the selected marker.

**Examples** CALCULATE:SGRAM:MARKER1:DELTA:X:FREQUENCY? might return 5.95E+6, indicating that the delta marker frequency is 5.95 MHz.

## CALCulate:SGRam:MARKer<x>:DELTA:X[:TIME]? (Query Only)

Returns the delta marker time for the selected marker in the spectrogram.

The parameter <x> = 1 to 4; MARKer0 (reference marker) is invalid. The specified marker must be activated using the [CALCulate:MARKer:ADD](#) command.

**Conditions** Measurement views: Spectrogram

**Group** Calculate commands

**Syntax** CALCulate:SGRam:MARKer<x>:DELTA:X[:TIME]?

**Related Commands** [CALCulate:SGRam:MARKer<x>:DELTA:Y?](#)

<b>Arguments</b>	None
<b>Returns</b>	<NRF> Delta marker time for the selected marker.
<b>Examples</b>	CALCULATE:SGRAM:MARKER1:DELTA:X:TIME? might return -1.84E-3, indicating that the delta marker time is -1.84 ms.

## CALCulate:SGRam:MARKer<x>:DELTA:Y? (Query Only)

Returns the delta marker amplitude for the selected marker in the spectrogram.

The parameter <x> = 1 to 4; MARKer0 (reference marker) is invalid. The specified marker must be activated using the [CALCulate:MARKer:ADD](#) command.

<b>Conditions</b>	Measurement views: Spectrogram
<b>Group</b>	Calculate commands
<b>Syntax</b>	CALCulate:SGRam:MARKer<x>:DELTA:Y?
<b>Related Commands</b>	<a href="#">CALCulate:SGRam:MARKer&lt;x&gt;:DELTA:X[:TIME]?</a>
<b>Arguments</b>	None
<b>Returns</b>	<NRF> Delta marker amplitude for the selected marker.
<b>Examples</b>	CALCULATE:SGRAM:MARKER1:DELTA:Y? might return -8.45, indicating that the delta marker amplitude is -8.45 dB.

## CALCulate:SGRam:MARKer<x>:MAXimum (No Query Form)

Moves the selected marker to the highest peak on a line in the spectrogram. The line is selected using the [TRACe:SGRam:SElect:LINE](#) command.

<b>Conditions</b>	Measurement views: Spectrogram
-------------------	--------------------------------

---

<b>Group</b>	Calculate commands
<b>Syntax</b>	<code>CALCulate:SGRam:MARKer&lt;x&gt;:MAXimum</code>
<b>Arguments</b>	None
<b>Examples</b>	<code>CALCULATE:SGRAM:MARKER1:MAXIMUM</code> moves Marker 1 (M1) to the highest peak on the line.

### **CALCulate:SGRam:MARKer<x>:PEAK:HIGHer (No Query Form)**

Moves the selected marker to the next peak higher in amplitude on a line in the spectrogram. The line is selected using the [TRACe:SGRam:SElect:LINE](#) command.

<b>Conditions</b>	Measurement views: Spectrogram
<b>Group</b>	Calculate commands
<b>Syntax</b>	<code>CALCulate:SGRam:MARKer&lt;x&gt;:PEAK:HIGHer</code>
<b>Related Commands</b>	<a href="#">CALCulate:SGRam:MARKer&lt;x&gt;:PEAK:LOWer</a>
<b>Arguments</b>	None
<b>Examples</b>	<code>CALCULATE:SGRAM:MARKER1:PEAK:HIGHER</code> moves Marker 1 (M1) to the next peak higher in amplitude on the line.

### **CALCulate:SGRam:MARKer<x>:PEAK:LEFT (No Query Form)**

Moves the selected marker to the next peak to the left on a line in the spectrogram. The line is selected using the [TRACe:SGRam:SElect:LINE](#) command.

<b>Conditions</b>	Measurement views: Spectrogram
<b>Group</b>	Calculate commands

**Syntax**      `CALCulate:SGRam:MARKer<x>:PEAK:LEFT`

**Related Commands**      [CALCulate:SGRam:MARKer<x>:PEAK:RIGHT](#)

**Arguments**      None

**Examples**      `CALCULATE:SGRAM:MARKER1:PEAK:LEFT` moves Marker 1 (M1) to the next peak to the left on the line.

## **CALCulate:SGRam:MARKer<x>:PEAK:LOWer (No Query Form)**

Moves the selected marker to the next peak lower in amplitude on a line in the spectrogram. The line is selected using the [TRACe:SGRam:SElect:LINE](#) command.

**Conditions**      Measurement views: Spectrogram

**Group**      Calculate commands

**Syntax**      `CALCulate:SGRam:MARKer<x>:PEAK:LOWer`

**Related Commands**      [CALCulate:SGRam:MARKer<x>:PEAK:HIGHer](#)

**Arguments**      None

**Examples**      `CALCULATE:SGRAM:MARKER1:PEAK:LOWER` moves Marker 1 (M1) to the next peak lower in amplitude on the line.

## **CALCulate:SGRam:MARKer<x>:PEAK:RIGHT (No Query Form)**

Moves the selected marker to the next peak to the right on a line in the spectrogram. The line is selected using the [TRACe:SGRam:SElect:LINE](#) command.

**Conditions**      Measurement views: Spectrogram

**Group**      Calculate commands



**Syntax**     `CALCulate:SGRam:MARKer<x>:PEAK:RIGHT`

**Related Commands**     [CALCulate:SGRam:MARKer<x>:PEAK:LEFT](#)

**Arguments**     None

**Examples**     `CALCULATE:SGRAM:MARKER1:PEAK:RIGHT` moves Marker 1 (M1) to the next peak to the right on the trace.

## **CALCulate:SGRam:MARKer<x>[:SET]:CENTer (No Query Form)**

Sets the center frequency to the marker frequency in the spectrogram.

**Conditions**     Measurement views: Spectrogram

**Group**     Calculate commands

**Syntax**     `CALCulate:SGRam:MARKer<x>[:SET]:CENTer`

**Arguments**     None

**Examples**     `CALCULATE:SGRAM:MARKER1:SET:CENTER` sets the center frequency to the Marker 1 frequency in the spectrogram.

## **CALCulate:SGRam:MARKer<x>:X:FREQuency**

Sets or queries the marker frequency in the spectrogram.

**Conditions**     Measurement views: Spectrogram

**Group**     Calculate commands

**Syntax**     `CALCulate:SGRam:MARKer<x>:X:FREQuency <value>`  
`CALCulate:SGRam:MARKer<x>:X:FREQuency?`

**Related Commands**     [CALCulate:SGRam:MARKer<x>:Y?](#)

**Arguments**     `<value>::=<Nrf>` specifies the marker frequency.  
 Range:  $(\text{center frequency}) \pm (\text{span})/2$ .

**Examples**     `CALCULATE:SGRAM:MARKER1:X 800MHZ` places Marker 1 (M1) at 800 MHz on the trace.

## CALCulate:SGRam:MARKer<x>:X[:TIME]

Sets or queries the marker time in the spectrogram.

**Conditions**     Measurement views: Spectrogram

**Group**            Calculate commands

**Syntax**           `CALCulate:SGRam:MARKer<x>:X[:TIME] <value>`  
`CALCulate:SGRam:MARKer<x>:X[:TIME]?`

**Related Commands**     [CALCulate:SGRam:MARKer<x>:Y?](#)

**Arguments**     `<value>::=<Nrf>` specifies the marker time.

**Examples**     `CALCULATE:SGRAM:MARKER1:X:TIME -234.5us` places Marker 1 (M1) at -234.5  $\mu\text{s}$  on the trace.

## CALCulate:SGRam:MARKer<x>:Y? (Query Only)

Queries the marker amplitude in the spectrogram.

**Conditions**     Measurement views: Spectrogram

**Group**            Calculate commands

**Syntax**           `CALCulate:SGRam:MARKer<x>:Y?`

**Related Commands**     [CALCulate:SGRam:MARKer<x>:X\[:TIME\]](#)

<b>Arguments</b>	None
<b>Returns</b>	<NRf> Marker amplitude of the selected marker.
<b>Examples</b>	CALCULATE:SGRAM:MARKER1:Y? might return -34.28, indicating Marker 1 (M1) is at -34.28 dBm.

## CALCulate:SPECTrum:MARKer<x>:DELTA:X? (Query Only)

Returns the delta marker frequency for the selected marker on the spectrum trace.

The parameter <x> = 1 to 4; MARKer0 (reference marker) is invalid. The specified marker must be activated using the [CALCulate:MARKer:ADD](#) command.

<b>Conditions</b>	Measurement views: Spectrum
<b>Group</b>	Calculate commands
<b>Syntax</b>	CALCulate:SPECTrum:MARKer<x>:DELTA:X?
<b>Related Commands</b>	<a href="#">CALCulate:SPECTrum:MARKer&lt;x&gt;:DELTA:Y?</a>

<b>Arguments</b>	None
<b>Returns</b>	<NRf> Delta marker frequency for the selected marker.
<b>Examples</b>	CALCULATE:SPECTRUM:MARKER1:DELTA:X? might return 1.28E+6, indicating that the delta marker frequency is 1.28 MHz.

## CALCulate:SPECTrum:MARKer<x>:DELTA:Y? (Query Only)

Returns the delta marker amplitude for the selected marker on the spectrum trace.

The parameter <x> = 1 to 4; MARKer0 (reference marker) is invalid. The specified marker must be activated using the [CALCulate:MARKer:ADD](#) command.

<b>Conditions</b>	Measurement views: Spectrum
-------------------	-----------------------------

<b>Group</b>	Calculate commands
<b>Syntax</b>	CALCulate:SPECTrum:MARKer<x>:DELTA:Y?
<b>Related Commands</b>	<a href="#">CALCulate:SPECTrum:MARKer&lt;x&gt;:DELTA:X?</a>
<b>Arguments</b>	None
<b>Returns</b>	<NRF> Delta marker amplitude for the selected marker.
<b>Examples</b>	CALCULATE:SPECTRUM:MARKER1:DELTA:Y? might return 23.45, indicating that the delta marker amplitude is 23.45 dB.

### **CALCulate:SPECTrum:MARKer<x>:MAXimum (No Query Form)**

Moves the selected marker to the highest peak on the spectrum trace.

<b>Conditions</b>	Measurement views: Spectrum
<b>Group</b>	Calculate commands
<b>Syntax</b>	CALCulate:SPECTrum:MARKer<x>:MAXimum
<b>Arguments</b>	None
<b>Examples</b>	CALCULATE:SPECTRUM:MARKER1:MAXIMUM moves Marker 1 (M1) to the highest peak on the trace.

### **CALCulate:SPECTrum:MARKer<x>:PEAK:HIGHer (No Query Form)**

Moves the selected marker to the next peak higher in amplitude on the spectrum trace.

<b>Conditions</b>	Measurement views: Spectrum
<b>Group</b>	Calculate commands

**Syntax**     `CALCulate:SPECTrum:MARKer<x>:PEAK:HIGHer`

**Related Commands**     [CALCulate:SPECTrum:MARKer<x>:PEAK:LOWer](#)

**Arguments**     None

**Examples**     `CALCULATE:SPECTRUM:MARKER1:PEAK:HIGHER` moves Marker 1 (M1) to the next peak higher in amplitude on the trace.

## **CALCulate:SPECTrum:MARKer<x>:PEAK:LEFT (No Query Form)**

Moves the selected marker to the next peak to the left on the spectrum trace.

**Conditions**     Measurement views: Spectrum

**Group**     Calculate commands

**Syntax**     `CALCulate:SPECTrum:MARKer<x>:PEAK:LEFT`

**Related Commands**     [CALCulate:SPECTrum:MARKer<x>:PEAK:RIGHT](#)

**Arguments**     None

**Examples**     `CALCULATE:SPECTRUM:MARKER1:PEAK:LEFT` moves Marker 1 (M1) to the next peak to the left on the trace.

## **CALCulate:SPECTrum:MARKer<x>:PEAK:LOWer (No Query Form)**

Moves the selected marker to the next peak lower in amplitude on the spectrum trace.

**Conditions**     Measurement views: Spectrum

**Group**     Calculate commands

**Syntax**     `CALCulate:SPECTrum:MARKer<x>:PEAK:LOWer`

**Related Commands**    [CALCulate:SPECTrum:MARKer<x>:PEAK:HIGHer](#)

**Arguments**    None

**Examples**    CALCULATE:SPECTRUM:MARKER1:PEAK:LOWER moves Marker 1 (M1) to the next peak lower in amplitude on the trace.

## **CALCulate:SPECTrum:MARKer<x>:PEAK:RIGHT (No Query Form)**

Moves the selected marker to the next peak to the right on the spectrum trace.

**Conditions**    Measurement views: Spectrum

**Group**    Calculate commands

**Syntax**    CALCulate:SPECTrum:MARKer<x>:PEAK:RIGHT

**Related Commands**    [CALCulate:SPECTrum:MARKer<x>:PEAK:LEFT](#)

**Arguments**    None

**Examples**    CALCULATE:SPECTRUM:MARKER1:PEAK:RIGHT moves Marker 1 (M1) to the next peak to the right on the trace.

## **CALCulate:SPECTrum:MARKer<x>[:SET]:CENTER (No Query Form)**

Sets the center frequency to the marker frequency in the spectrum measurement.

**Conditions**    Measurement views: Spectrum

**Group**    Calculate commands

**Syntax**    CALCulate:SPECTrum:MARKer<x>[:SET]:CENTER

**Arguments**    None

**Examples**    `CALCULATE:SPECTRUM:MARKER1:SET:CENTER` sets the center frequency to the marker frequency in the spectrum measurement.

## **CALCulate:SPECTrum:MARKer<x>:TRACe**

Sets or queries the trace on which the specified marker is placed in the spectrum measurement.

**Conditions**    Measurement views: Spectrum

**Group**    Calculate commands

**Syntax**    `CALCulate:SPECTrum:MARKer<x>:TRACe { TRACE1 | TRACE2 | TRACE3 | TRACE4 | TRACE5 }`  
`CALCulate:SPECTrum:MARKer<x>:TRACe?`

**Arguments**    TRACE1 places the specified marker on Trace 1.  
 TRACE2 places the specified marker on Trace 2.  
 TRACE3 places the specified marker on n Trace 3.  
 TRACE4 places the specified marker on Trace 4 (math trace).  
 TRACE5 places the specified marker on Trace 5 (spectrogram).  
 Trace 1 to 3 can be defined as Normal, Average, Max Hold or Min Hold using the command.

**Examples**    `CALCULATE:SPECTRUM:MARKER1:TRACE TRACE1` places Marker 1 (M1) on Trace 1.

## **CALCulate:SPECTrum:MARKer<x>:X**

Sets or queries the horizontal position of the selected marker on the spectrum trace.

**Conditions**    Measurement views: Spectrum

**Group**    Calculate commands

**Syntax**    `CALCulate:SPECTrum:MARKer<x>:X <value>`  
`CALCulate:SPECTrum:MARKer<x>:X?`

<b>Related Commands</b>	<a href="#">CALCulate:SPECTrum:MARKer&lt;x&gt;:Y?</a>
<b>Arguments</b>	<value> ::= <NRF> specifies the horizontal position of the marker. Range: Start to Stop frequency (left to right edge of the horizontal axis). Using an out-of-range value causes an execution error (-222, "Data out of range").
<b>Examples</b>	CALCULATE:SPECTRUM:MARKER1:X 800MHZ places Marker 1 (M1) at 800 MHz on the spectrum trace.

## CALCulate:SPECTrum:MARKer<x>:Y? (Query Only)

Queries the marker amplitude of the selected marker on the spectrum trace.

<b>Conditions</b>	Measurement views: Spectrum
<b>Group</b>	Calculate commands
<b>Syntax</b>	CALCulate:SPECTrum:MARKer<x>:Y?
<b>Related Commands</b>	<a href="#">CALCulate:SPECTrum:MARKer&lt;x&gt;:X</a>
<b>Arguments</b>	None
<b>Returns</b>	<NRF> Marker amplitude of the selected marker.
<b>Examples</b>	CALCULATE:SPECTRUM:MARKER1:Y? might return -34.28, indicating Marker 1 (M1) is at -34.28 dBm.

## CALCulate:SPURious:MARKer<x>:DELTA:X? (Query Only)

Returns the delta marker frequency for the selected marker on the spectrum trace.

The parameter <x> = 1 to 4; MARKer0 (reference marker) is invalid. The specified marker must be activated using the [CALCulate:MARKer:ADD](#) command.

<b>Conditions</b>	Measurement views: Spurious
-------------------	-----------------------------



---

<b>Group</b>	Calculate commands
<b>Syntax</b>	CALCulate:SPURious:MARKer<x>:DELTA:X?
<b>Arguments</b>	None
<b>Returns</b>	<NRf> Delta marker frequency for the selected marker.
<b>Examples</b>	CALCULATE:SPURIOUS:MARKER1:DELTA:X? might return 1.28E+6, indicating that the delta marker frequency is 1.28 MHz.

### CALCulate:SPURious:MARKer<x>:DELTA:Y? (Query Only)

Returns the delta marker amplitude for the selected marker on the spectrum trace.

The parameter <x> = 1 to 4; MARKer0 (reference marker) is invalid. The specified marker must be activated using the [CALCulate:MARKer:ADD](#) command.

<b>Conditions</b>	Measurement views: Spurious
<b>Group</b>	Calculate commands
<b>Syntax</b>	CALCulate:SPURious:MARKer<x>:DELTA:Y?
<b>Arguments</b>	None
<b>Returns</b>	<NRf> Delta marker amplitude for the selected marker.
<b>Examples</b>	CALCULATE:SPURIOUS:MARKER1:DELTA:Y? might return 23.45, indicating that the delta marker amplitude is 23.45 dB.

### CALCulate:SPURious:MARKer<x>:MAXimum (No Query Form)

Moves the selected marker to the highest peak on the spectrum trace.

<b>Conditions</b>	Measurement views: Spurious
-------------------	-----------------------------

<b>Group</b>	Calculate commands
<b>Syntax</b>	CALCulate:SPURious:MARKer<x>:MAXimum
<b>Arguments</b>	None
<b>Examples</b>	CALCULATE:SPURIOUS:MARKER1:MAXIMUM moves Marker 1 (M1) to the highest peak on the trace.

### **CALCulate:SPURious:MARKer<x>:PEAK:HIGHer (No Query Form)**

Moves the selected marker to the next peak higher in amplitude on the spectrum trace.

<b>Conditions</b>	Measurement views: Spurious
<b>Group</b>	Calculate commands
<b>Syntax</b>	CALCulate:SPURious:MARKer<x>:PEAK:HIGHer
<b>Arguments</b>	None
<b>Examples</b>	CALCULATE:SPURIOUS:MARKER1:PEAK:HIGHER moves Marker 1 (M1) to the next peak higher in amplitude on the trace.

### **CALCulate:SPURious:MARKer<x>:PEAK:LEFT (No Query Form)**

Moves the selected marker to the next peak to the left on the spectrum trace.

<b>Conditions</b>	Measurement views: Spurious
<b>Group</b>	Calculate commands
<b>Syntax</b>	CALCulate:SPURious:MARKer<x>:PEAK:LEFT
<b>Arguments</b>	None

**Examples**     `CALCULATE:SPURIOUS:MARKER1:PEAK:LEFT` moves Marker 1 (M1) to the next peak to the left on the trace.

## **CALCulate:SPURious:MARKer<x>:PEAK:LOWer (No Query Form)**

Moves the selected marker to the next peak lower in amplitude on the spectrum trace.

**Conditions**     Measurement views: Spurious

**Group**     Calculate commands

**Syntax**     `CALCulate:SPURious:MARKer<x>:PEAK:LOWer`

**Arguments**     None

**Examples**     `CALCULATE:SPURIOUS:MARKER1:PEAK:LOWER` moves Marker 1 (M1) to the next peak lower in amplitude on the trace.

## **CALCulate:SPURious:MARKer<x>:PEAK:RIGHT (No Query Form)**

Moves the selected marker to the next peak to the right on the spectrum trace.

**Conditions**     Measurement views: Spurious

**Group**     Calculate commands

**Syntax**     `CALCulate:SPURious:MARKer<x>:PEAK:RIGHT`

**Arguments**     None

**Examples**     `CALCULATE:SPURIOUS:MARKER1:PEAK:RIGHT` moves Marker 1 (M1) to the next peak to the right on the trace.

## **CALCulate:SPURious:MARKer<x>[:SET]:CENTER (No Query Form)**

Sets the center frequency to the marker frequency in the Spurious measurement.

<b>Conditions</b>	Measurement views: Spurious
<b>Group</b>	Calculate commands
<b>Syntax</b>	<code>CALCulate:SPURious:MARKer&lt;x&gt;[:SET]:CENTer</code>
<b>Arguments</b>	None
<b>Examples</b>	<code>CALCULATE:SPURIOUS:MARKER1:SET:CENTER</code> sets the center frequency to the value at Marker 1.

## **CALCulate:SPURious:MARKer<x>:X**

Sets or queries the horizontal position of the selected marker on the spectrum trace.

<b>Conditions</b>	Measurement views: Spurious
<b>Group</b>	Calculate commands
<b>Syntax</b>	<code>CALCulate:SPURious:MARKer&lt;x&gt;:X &lt;value&gt;</code> <code>CALCulate:SPURious:MARKer&lt;x&gt;:X?</code>
<b>Arguments</b>	<code>&lt;value&gt;::=&lt;NRF&gt;</code> specifies the horizontal position of the marker. Range: Start to Stop frequency (left to right edge of the horizontal axis). The start and stop frequencies are set using the <a href="#">DISPlay:SPURious:X[:SCALe]:START</a> and <a href="#">DISPlay:SPURious:X[:SCALe]:STOP</a> commands.
<b>Examples</b>	<code>CALCULATE:SPURIOUS:MARKER1:X 800MHZ</code> places Marker 1 (M1) at 800 MHz on the spectrum trace.

## **CALCulate:SPURious:MARKer<x>:Y? (Query Only)**

Queries the marker amplitude of the selected marker on the spectrum trace.

<b>Conditions</b>	Measurement views: Spurious
<b>Group</b>	Calculate commands

<b>Syntax</b>	CALCulate:SPURious:MARKer<x>:Y?
<b>Arguments</b>	None
<b>Returns</b>	<NRf> Marker amplitude of the selected marker.
<b>Examples</b>	CALCULATE:SPURIOUS:MARKER1:Y? might return -34.28, indicating Marker 1 (M1) is at -34.28 dBm.

## CALCulate:TDIagram:MARKer<x>:DELTA:X[:TIME]? (Query Only)

Returns the delta marker time for the selected marker on the Trellis diagram trace.

The parameter <x> = 1 to 4; MARKer0 (reference marker) is invalid. The specified marker must be activated using the [CALCulate:MARKer:ADD](#) command.

<b>Conditions</b>	Measurement views: Trellis diagram
<b>Group</b>	Calculate commands
<b>Syntax</b>	CALCulate:TDIagram:MARKer<x>:DELTA:X[:TIME]?
<b>Related Commands</b>	<a href="#">CALCulate:TDIagram:MARKer&lt;x&gt;:DELTA:Y?</a>
<b>Arguments</b>	None
<b>Returns</b>	<NRf> Delta marker time for the selected marker. Use the <a href="#">[SENSe]:DDEMod:TIME:UNITs</a> command to select the time unit: symbols (default) or seconds.
<b>Examples</b>	CALCULATE:TDIAGRAM:MARKER1:DELTA:X:TIME? might return 62.75, indicating that the delta marker time is 62.75 symbols.

## CALCulate:TDIagram:MARKer<x>:DELTA:Y? (Query Only)

Returns the delta marker amplitude for the selected marker on the Trellis diagram trace.

The parameter <x> = 1 to 4; MARKer0 (reference marker) is invalid. The specified marker must be activated using the [CALCulate:MARKer:ADD](#) command.

<b>Conditions</b>	Measurement views: Trellis diagram
<b>Group</b>	Calculate commands
<b>Syntax</b>	CALCulate:TDIagram:MARKer<x>:DELTA:Y?
<b>Related Commands</b>	<a href="#">CALCulate:TDIagram:MARKer&lt;x&gt;:DELTA:X[:TIME]?</a>
<b>Arguments</b>	None
<b>Returns</b>	<NRf> Delta marker amplitude for the selected marker in degrees.
<b>Examples</b>	CALCULATE:TDIAGRAM:MARKER1:DELTA:Y? might return -48.26, indicating that the delta marker amplitude is -48.26°.

## CALCulate:TDIagram:MARKer<x>:MAXimum (No Query Form)

Moves the selected marker to the highest peak on the Trellis diagram trace.

<b>Conditions</b>	Measurement views: Trellis diagram
<b>Group</b>	Calculate commands
<b>Syntax</b>	CALCulate:TDIagram:MARKer<x>:MAXimum
<b>Arguments</b>	None
<b>Examples</b>	CALCULATE:TDIAGRAM:MARKER1:MAXIMUM? moves Marker 1 (M1) to the highest peak on the trace.

## CALCulate:TDIagram:MARKer<x>:PEAK:HIGHer (No Query Form)

Moves the selected marker to the next peak higher in amplitude on the Trellis diagram trace.

**Conditions** Measurement views: Trellis diagram

**Group** Calculate commands

**Syntax** CALCulate:TDIagram:MARKer<x>:PEAK:HIGHer

**Related Commands** [CALCulate:TDIagram:MARKer<x>:PEAK:LOWer](#)

**Arguments** None

**Examples** CALCULATE:TDIAGRAM:MARKER1:PEAK:HIGHER moves Marker 1 (M1) to the next peak higher in amplitude on the trace.

## CALCulate:TDIagram:MARKer<x>:PEAK:LEFT (No Query Form)

Moves the selected marker to the next peak to the left on the Trellis diagram trace.

**Conditions** Measurement views: Trellis diagram

**Group** Calculate commands

**Syntax** CALCulate:TDIagram:MARKer<x>:PEAK:LEFT

**Related Commands** [CALCulate:TDIagram:MARKer<x>:PEAK:RIGHT](#)

**Arguments** None

**Examples** CALCULATE:TDIAGRAM:MARKER1:PEAK:LEFT moves Marker 1 (M1) to the next peak to the left on the trace.

## CALCulate:TDIagram:MARKer<x>:PEAK:LOWer (No Query Form)

Moves the selected marker to the next peak lower in amplitude on the Trellis diagram trace.

**Conditions** Measurement views: Trellis diagram

**Group** Calculate commands

**Syntax** CALCulate:TDIagram:MARKer<x>:PEAK:LOWer

**Related Commands** [CALCulate:TDIagram:MARKer<x>:PEAK:HIGHer](#)

**Arguments** None

**Examples** CALCULATE:TDIAGRAM:MARKER1:PEAK:LOWER moves Marker 1 (M1) to the next peak lower in amplitude on the trace.

## CALCulate:TDIagram:MARKer<x>:PEAK:RIGHT (No Query Form)

Moves the selected marker to the next peak to the right on the Trellis diagram trace.

**Conditions** Measurement views: Trellis diagram

**Group** Calculate commands

**Syntax** CALCulate:TDIagram:MARKer<x>:PEAK:RIGHT

**Related Commands** [CALCulate:TDIagram:MARKer<x>:PEAK:LEFT](#)

**Arguments** None

**Examples** CALCULATE:TDIAGRAM:MARKER1:PEAK:RIGHT moves Marker 1 (M1) to the next peak to the right on the trace.



## CALCulate:TDIagram:MARKer<x>:X[:TIME]

Sets or queries the horizontal position (time) of the selected marker in the Trellis diagram measurement.

**Conditions** Measurement views: Trellis diagram

**Group** Calculate commands

**Syntax** CALCulate:TDIagram:MARKer<x>:X[:TIME] <value>  
CALCulate:TDIagram:MARKer<x>:X[:TIME]?

**Related Commands** [CALCulate:TDIagram:MARKer<x>:Y?](#)

**Arguments** <value> ::= <NRF> specifies the horizontal position (time) of the marker. Use the [\[SENSe\]:DDEMod:TIME:UNITs](#) command to select the time unit: symbols (default) or seconds.

**Examples** CALCULATE:TDIAGRAM:MARKER1:X:TIME 38.5 places Marker 1 (M1) at 38.5 symbols on the trace.

## CALCulate:TDIagram:MARKer<x>:Y? (Query Only)

Queries the marker amplitude of the selected marker in the Trellis diagram measurement.

**Conditions** Measurement views: Trellis diagram

**Group** Calculate commands

**Syntax** CALCulate:TDIagram:MARKer<x>:Y?

**Related Commands** [CALCulate:TDIagram:MARKer<x>:X\[:TIME\]](#)

**Arguments** None

**Returns** <NRF> Marker amplitude of the selected marker in degrees.

**Examples**     `CALCULATE:TDIAGRAM:MARKER1:Y?` might return `212.3`, indicating Marker 1 (M1) is at 212.3 °.

## **CALCulate:TOVerview:MARKer<x>:DELTA:X? (Query Only)**

Returns the delta marker time for the selected marker on the time overview trace.

**Conditions**     Measurement views: Time overview

**Group**            Calculate commands

**Syntax**          `CALCulate:TOVerview:MARKer<x>:DELTA:X?`

**Related Commands**     [CALCulate:TOVerview:MARKer<x>:DELTA:Y?](#)

**Arguments**        None

**Returns**          <NRF> Delta marker time for the selected marker.

**Examples**        `CALCULATE:TOVERVIEW:MARKER1:DELTA:X?` might return `38.0E-9`, indicating that the delta marker time is 38.0 ns.

## **CALCulate:TOVerview:MARKer<x>:DELTA:Y? (Query Only)**

Returns the delta marker amplitude for the selected marker on the time overview trace.

The parameter <x> = 1 to 4; MARKer0 (reference marker) is invalid. The specified marker must be activated using the [CALCulate:MARKer:ADD](#) command.

**Conditions**        Measurement views: Time overview

**Group**            Calculate commands

**Syntax**          `CALCulate:TOVerview:MARKer<x>:DELTA:Y?`

---

<b>Related Commands</b>	<a href="#">CALCulate:TOVerview:MARKer&lt;x&gt;:DELTA:X?</a>
<b>Arguments</b>	None
<b>Returns</b>	<NRF> Delta marker amplitude for the selected marker.
<b>Examples</b>	CALCULATE:TOVERVIEW:MARKER1:DELTA:Y? might return 23.45, indicating that the delta marker amplitude is 23.45 dB.

## CALCulate:TOVerview:MARKer<x>:MAXimum (No Query Form)

Moves the selected marker to the highest peak on the time overview trace.

<b>Conditions</b>	Measurement views: Time overview
<b>Group</b>	Calculate commands
<b>Syntax</b>	CALCulate:TOVerview:MARKer<x>:MAXimum
<b>Arguments</b>	None
<b>Examples</b>	CALCULATE:TOVERVIEW:MARKER1:MAXIMUM moves Marker 1 (M1) to the highest peak on the trace.

## CALCulate:TOVerview:MARKer<x>:PEAK:HIGHer (No Query Form)

Moves the selected marker to the next peak higher in amplitude on the time overview trace.

<b>Conditions</b>	Measurement views: Time overview
<b>Group</b>	Calculate commands
<b>Syntax</b>	CALCulate:TOVerview:MARKer<x>:PEAK:HIGHer
<b>Related Commands</b>	<a href="#">CALCulate:TOVerview:MARKer&lt;x&gt;:PEAK:LOWer</a>

**Arguments** None

**Examples** CALCULATE:TOVIEW:MARKER1:PEAK:HIGHER moves Marker 1 (M1) to the next peak higher in amplitude on the trace.

## **CALCulate:TOView:MARKer<x>:PEAK:LEFT (No Query Form)**

Moves the selected marker to the next peak to the left on the time overview trace.

**Conditions** Measurement views: Time overview

**Group** Calculate commands

**Syntax** CALCulate:TOView:MARKer<x>:PEAK:LEFT

**Related Commands** [CALCulate:TOView:MARKer<x>:PEAK:RIGHT](#)

**Arguments** None

**Examples** CALCULATE:TOVIEW:MARKER1:PEAK:LEFT moves Marker 1 (M1) to the next peak to the left on the trace.

## **CALCulate:TOView:MARKer<x>:PEAK:LOWER (No Query Form)**

Moves the selected marker to the next peak lower in amplitude on the time overview trace.

**Conditions** Measurement views: Time overview

**Group** Calculate commands

**Syntax** CALCulate:TOView:MARKer<x>:PEAK:LOWER

**Related Commands** [CALCulate:TOView:MARKer<x>:PEAK:HIGHER](#)

**Arguments** None

**Examples**     `CALCULATE:TOVERVIEW:MARKER1:PEAK:LOWER` moves Marker 1 (M1) to the next peak lower in amplitude on the trace.

## **CALCulate:TOVerview:MARKer<x>:PEAK:RIGHT (No Query Form)**

Moves the selected marker to the next peak to the right on the time overview trace.

**Conditions**     Measurement views: Time overview

**Group**     Calculate commands

**Syntax**     `CALCulate:TOVerview:MARKer<x>:PEAK:RIGHT`

**Related Commands**     [CALCulate:TOVerview:MARKer<x>:PEAK:LEFT](#)

**Arguments**     None

**Examples**     `CALCULATE:TOVERVIEW:MARKER1:PEAK:RIGHT` moves Marker 1 (M1) to the next peak to the right on the trace.

## **CALCulate:TOVerview:MARKer<x>:X**

Sets or queries the horizontal position of the selected marker on the time overview trace.

**Conditions**     Measurement views: Time overview

**Group**     Calculate commands

**Syntax**     `CALCulate:TOVerview:MARKer<x>:X <value>`  
`CALCulate:TOVerview:MARKer<x>:X?`

**Related Commands**     [CALCulate:TOVerview:MARKer<x>:Y?](#)

**Arguments**     `<value> ::= <Nrf>` specifies the horizontal position of the marker.  
 Range: (analysis offset) to [(analysis offset) + (analysis length)].

**Examples**     `CALCULATE:TOVERVIEW:MARKER1:X 1.5us` places Marker 1 (M1) at 1.5  $\mu$ s on the trace.

## CALCulate:TOVerview:MARKer<x>:Y? (Query Only)

Queries the marker amplitude of the selected marker in the time overview.

**Conditions**     Measurement views: Time overview

**Group**            Calculate commands

**Syntax**           `CALCulate:TOVerview:MARKer<x>:Y?`

**Related Commands**     [CALCulate:TOVerview:MARKer<x>:X](#)

**Arguments**        None

**Returns**            <NRF> Marker amplitude of the selected marker.

**Examples**         `CALCULATE:TOVERVIEW:MARKER1:Y?` might return `-34.28`, indicating Marker 1 (M1) is at -34.28 dBm.

## CALibration:ABORt (No Query Form)

Aborts any actions related to the alignments in progress.

**Conditions**        Measurement views: All

**Group**            Calibration commands

**Syntax**            `CALibration:ABORt`

**Arguments**        None

**Examples**         `CALIBRATION:ABORT` aborts any actions related to the alignments in progress.

## CALibration:AUTO

Sets or queries whether or not to run alignments automatically.

<b>Conditions</b>	Measurement views: All
<b>Group</b>	Calibration commands
<b>Syntax</b>	CALibration:AUTO { OFF   ON   0   1 } CALibration:AUTO?
<b>Arguments</b>	OFF or 0 runs alignments on user request. Use the *CAL command to perform alignments.  ON or 1 runs alignments as needed without user intervention. You have to restart measurement if interrupted.
<b>Examples</b>	CALIBRATION:AUTOON runs alignments automatically as needed.

## CALibration:CORRection:EXTeRnal:EDIT<x>:LABel

Sets or queries the name of the external loss table.

The parameter <x> = 1 to 3 represent the External Loss Table 1 to 3, respectively.

<b>Conditions</b>	Measurement views: All
<b>Group</b>	Calibration commands
<b>Syntax</b>	CALibration:CORRection:EXTeRnal:EDIT<x>:LABel <name> CALibration:CORRection:EXTeRnal:EDIT<x>:LABel?
<b>Arguments</b>	<name>::=<string> specifies the name of the external loss table.
<b>Examples</b>	CALIBRATION:CORRECTION:EXTERNAL:EDIT1:LABEL "Sample Table 1" names the External Loss Table 1 "Sample Table 1".

## CALibration:CORRection:EXTErnal:EDIT<x>:NEW (No Query Form)

Creates a new external loss table.

The parameter <x> = 1 to 3 represent the External Loss Table 1 to 3, respectively.

<b>Conditions</b>	Measurement views: All
<b>Group</b>	Calibration commands
<b>Syntax</b>	CALibration:CORRection:EXTErnal:EDIT<x>:NEW <freq(1)>,<loss(1)>,<freq(2)>,<loss(2)>,...,<freq(n)>,<loss(n)>
<b>Arguments</b>	<freq(n)>,<loss(n)> specifies a pair of frequency (<NR3> in Hz) and loss (<NR3> in dB) in the external loss table.  The setting range is: Frequency: 0 to 6.2 GHz (RSA6106A)/14 GHz (RSA6114A) Loss: -50 to +80 dB. (A negative value means a gain.)
<b>Examples</b>	CALIBRATION:CORRECTION:EXTERNAL:EDIT1:NEW 1.0E+9,2.2, 1.5E+9,2.3 creates the External Loss Table 1 specifying the loss of 2.2 dB and 2.3 dB at the frequency of 1 GHz and 1.5 GHz, respectively.

## CALibration:CORRection:EXTErnal:EDIT<x>:STATE

Determines whether to enable or disable the external loss table.

The parameter <x> = 1 to 3 represent the External Loss Table 1 to 3, respectively.

<b>Conditions</b>	Measurement views: All
<b>Group</b>	Calibration commands
<b>Syntax</b>	CALibration:CORRection:EXTErnal:EDIT<x>:STATE { OFF   ON   0   1 } CALibration:CORRection:EXTErnal:EDIT<x>:STATE?
<b>Arguments</b>	OFF or 0 disables the external loss table.  ON or 1 enables the external loss table.



---

**NOTE.** *You can enable one or more tables at the same time.*

---

**Examples** CALIBRATION:CORRECTION:EXTERNAL:EDIT3:STATE ON enables the External Loss Table 3.

## CALibration:CORRection:EXTErnal:GAIN[:MAGNitude]

Sets or queries the external gain value. It can be enabled or disabled using the [CALibration:CORRection:EXTErnal:GAIN:STATE](#) command.

**Conditions** Measurement views: All

**Group** Calibration commands

**Syntax** CALibration:CORRection:EXTErnal:GAIN[:MAGNitude] <value>  
CALibration:CORRection:EXTErnal:GAIN[:MAGNitude]?

**Arguments** <value> ::= <NRF> specifies the external gain value. Range: -50 to +30 dB.

**Examples** CALIBRATION:CORRECTION:EXTERNAL:GAIN:MAGNITUDE -10 sets the external gain to -10 dB.

## CALibration:CORRection:EXTErnal:GAIN:STATE

Determines whether to enable or disable the external gain value.

**Conditions** Measurement views: All

**Group** Calibration commands

**Syntax** CALibration:CORRection:EXTErnal:GAIN:STATE { OFF | ON | 0 | 1 }  
CALibration:CORRection:EXTErnal:GAIN:STATE?

**Related Commands** [CALibration:CORRection:EXTErnal:GAIN\[:MAGNitude\]](#)

<b>Arguments</b>	OFF or 0 disables the external gain value. ON or 1 enables the external gain value.
<b>Examples</b>	CALIBRATION:CORRECTION:EXTERNAL:GAIN:STATEON enables the external gain value.

## CALibration:CORRection:EXTErnal:PROBe:CONNect? (Query Only)

Queries whether the external probe is connected to the analyzer or not.

<b>Conditions</b>	Measurement views: All
<b>Group</b>	Calibration commands
<b>Syntax</b>	CALibration:CORRection:EXTErnal:PROBe:CONNect?
<b>Arguments</b>	None
<b>Returns</b>	{ 0   1 } 0 indicates that the external probe is not connected to the analyzer. 1 indicates that the external probe is connected to the analyzer.
<b>Examples</b>	CALIBRATION:CORRECTION:EXTERNAL:PROBE:CONNECT? might return ON, indicating that the external probe is connected to the analyzer.

## CALibration:CORRection:EXTErnal:PROBe[:MAGNitude]? (Query Only)

Queries the external probe attenuation.

<b>Conditions</b>	Measurement views: All
<b>Group</b>	Calibration commands
<b>Syntax</b>	CALibration:CORRection:EXTErnal:PROBe[:MAGNitude]?

<b>Arguments</b>	None
<b>Returns</b>	<attenuation>::=<Nrf> The probe attenuation value in dB.
<b>Examples</b>	CALIBRATION:CORRECTION:EXTERNAL:PROBE:MAGNITUDE? might return 10, indicating that the probe attenuation is 10 dB.

## CALibration:CORRection:EXTErnal:PROBe:STATe

Determines whether or not to correct data for the external probe attenuation.

<b>Conditions</b>	Measurement views: All
<b>Group</b>	Calibration commands
<b>Syntax</b>	CALibration:CORRection:EXTErnal:PROBe:STATe { OFF   ON   0   1 } CALibration:CORRection:EXTErnal:PROBe:STATe?
<b>Arguments</b>	OFF or 0 does not correct data for the external probe attenuation. ON or 1 corrects data for the external probe attenuation.
<b>Examples</b>	CALIBRATION:CORRECTION:EXTERNAL:PROBE:STATEON corrects data for the external probe attenuation.

## CALibration:CORRection:EXTErnal:TYPE

Sets or queries the data type to apply the external loss table corrections.

<b>Conditions</b>	Measurement views: All
<b>Group</b>	Calibration commands
<b>Syntax</b>	CALibration:CORRection:EXTErnal:TYPE { TRACE   DATA } CALibration:CORRection:EXTErnal:TYPE

**Related Commands**    [CALibration:CORRection:EXTErnal:GAIN:STATe](#)

**Arguments** TRACE selects traces in the Spectrum, Spectrogram, Spurious, and Amplitude versus Time views. Selecting TRACe disables the CALibration:CORRection:EXTErnal:GAIN:STATe command.

DATA selects all acquired data. Selecting DATA enables the CALibration:CORRection:EXTErnal:GAIN:STATe command.

**Examples** CALIBRATION:CORRECTION:EXTERNAL:TYPETRACe selects traces to apply the external loss table corrections.

## \*CLS (No Query Form)

Clears the analyzer status data structures. Refer to Section 3, *Status and Events*, for the register information.

The \*CLS command clears the following

- the Event Queue
- the Standard Event Status Register (SESR)
- the Status Byte Register (except the MAV bit; see below)

If the \*CLS command immediately follows an <EOI>, the Output Queue and MAV bit (Status Byte Register bit 4) are also cleared. MAV indicates information is in the output queue. The device clear (DCL) GPIB control message will clear the output queue and thus MAV. \*CLS does not clear the output queue or MAV. (A complete discussion of these registers and bits, and of event handling in general is described in the *Status and Events* section)

\*CLS can suppress a Service Request that is to be generated by an \*OPC. This will happen if a hardcopy output or single sequence acquisition operation is still being processed when the \*CLS command is executed.

**Conditions** Measurement views: All

**Group** IEEE common commands

**Syntax** \*CLS

**Related Commands** \*ESE, \*ESR?, \*SRE, \*STB?

**Arguments** None

**Examples** \*CLS clears the analyzer status data structures.

## DISPlay:ACPower:MARKer:SHOW:STATE

Determines whether to show or hide the readout for the selected marker in the Channel power and ACPR view.

**Conditions** Measurement views: Channel power and ACPR

**Group** Display commands

**Syntax** DISPlay:ACPower:MARKer:SHOW:STATE { OFF | ON | 0 | 1 }  
DISPlay:ACPower:MARKer:SHOW:STATE?

**Arguments** OFF or 0 hides the readout for the selected marker in the graph.  
ON or 1 shows the readout for the selected marker in the graph.

**Examples** DISPLAY:ACPOWER:MARKER:SHOW:STATEON shows the readout for the selected marker in the graph.

## DISPlay:ACPower:PLEVel:SHOW:STATE

Determines whether to show or hide the power levels in the Channel power and ACPR view.

**Conditions** Measurement views: Channel power and ACPR

**Group** Display commands

**Syntax** DISPlay:ACPower:PLEVel:SHOW:STATE { OFF | ON | 0 | 1 }  
DISPlay:ACPower:PLEVel:SHOW:STATE?

**Arguments** OFF or 0 hides the power levels in the graph.  
ON or 1 shows the power levels in the graph.

**Examples** DISPLAY:ACPOWER:PLEVEL:SHOW:STATEON shows the power levels in the graph.

## DISPlay:ACPower:RESet:SCALE (No Query Form)

Resets the horizontal and vertical scale to the default values described below in the Channel power and ACPR view.

Vertical offset = Reference level,  
Vertical scale = 100 dB,  
Horizontal offset = Center frequency, and  
Horizontal scale = Default span

<b>Conditions</b>	Measurement views: Channel power and ACPR
<b>Group</b>	Display commands
<b>Syntax</b>	DISPly:ACPower:RESet:SCALE
<b>Arguments</b>	None
<b>Examples</b>	DISPLAY:ACPOWER:RESET:SCALE resets the horizontal and vertical scale to the default values.

## DISPlay:ACPower:WINDow:TRACe:GRATICule:GRID:STATe

Determines whether to show or hide the graticule grid on the screen.

<b>Conditions</b>	Measurement views: Channel power and ACPR
<b>Group</b>	Display commands
<b>Syntax</b>	DISPly:ACPower:WINDow:TRACe:GRATICule:GRID:STATe { OFF   ON   0   1 } DISPly:ACPower:WINDow:TRACe:GRATICule:GRID:STATe?
<b>Arguments</b>	OFF or 0 hides the graticule grid. ON or 1 shows the graticule grid.
<b>Examples</b>	DISPLAY:ACPOWER:WINDOW:TRACE:GRATICULE:GRID:STATEON shows the graticule grid on the screen.

## DISPlay:ACPower:X[:SCALE]

Sets or queries the horizontal range of the Channel power and ACPR graph.

**Conditions** Measurement views: Channel power and ACPR

**Group** Display commands

**Syntax** DISPlay:ACPower:X[:SCALE] <value>  
DISPlay:ACPower:X[:SCALE]?

**Related Commands** [DISPlay:ACPower:X\[:SCALE\]:OFFSet](#)

**Arguments** <value> ::= <Nrf> specifies the horizontal range.  
Range: 10 Hz to 6.2 GHz (RSA6106A) / 14 GHz (RSA6114A).

**Examples** DISPLAY:ACPOWER:X:SCALE 10MHZ sets the horizontal range to 10 MHz.

## DISPlay:ACPower:X[:SCALE]:AUTO (No Query Form)

Rescales the horizontal axis automatically to fit the waveform to the screen in the Channel power and ACPR view.

**Conditions** Measurement views: Channel power and ACPR

**Group** Display commands

**Syntax** DISPlay:ACPower:X[:SCALE]:AUTO

**Arguments** None

**Examples** DISPLAY:ACPOWER:X:SCALE:AUTO rescales the horizontal scale automatically to fit the waveform to the screen.

## DISPlay:ACPower:X[:SCALE]:OFFSet

Sets or queries the minimum horizontal value (left edge) of the Channel power and ACPR graph.

**Conditions** Measurement views: Channel power and ACPR

**Group** Display commands

**Syntax** DISPlay:ACPower:X[:SCALE]:OFFSet <value>  
DISPlay:ACPower:X[:SCALE]:OFFSet?

**Related Commands** [DISPlay:ACPower:X\[:SCALE\]](#)

**Arguments** <value>::=<NRF> specifies the minimum horizontal value.  
Range: [(center frequency) - (X scale) × 0.9] to [(center frequency) + (X scale) × 0.9]

**Examples** DISPlay:ACPower:X:SCALE:OFFSet 1.45GHz sets the minimum horizontal value to 1.45 GHz in the Channel power and ACPR graph.

## DISPlay:ACPower:Y[:SCALE]

Sets or queries the vertical range of the channel power and ACPR graph.

**Conditions** Measurement views: Channel power and ACPR

**Group** Display commands

**Syntax** DISPlay:ACPower:Y[:SCALE] <value>  
DISPlay:ACPower:Y[:SCALE]?

**Related Commands** [DISPlay:ACPower:Y\[:SCALE\]:OFFSet](#)

**Arguments** <value>::=<NRF> specifies the vertical range. Range: 0.1 to 200 dB.

**Examples** DISPLAY:ACPOWER:Y:SCALE 100 sets the vertical range to 100 dB in the Channel power and ACPR graph.



## DISPlay:ACPower:Y[:SCALE]:AUTO (No Query Form)

Rescales the vertical axis automatically to fit the waveform to the screen in the Channel power and ACPR view.

**Conditions** Measurement views: Channel power and ACPR

**Group** Display commands

**Syntax** DISPlay:ACPower:Y[:SCALE]:AUTO

**Arguments** None

**Examples** DISPLAY:ACPOWER:Y:SCALE:AUTO rescales the vertical scale automatically to fit the waveform to the screen.

## DISPlay:ACPower:Y[:SCALE]:OFFSet

Sets or queries the vertical offset (the value at the top edge of the vertical axis) in the Channel power and ACPR graph.

**Conditions** Measurement views: Channel power and ACPR

**Group** Display commands

**Syntax** DISPlay:ACPower:Y[:SCALE]:OFFSet <value>  
DISPlay:ACPower:Y[:SCALE]:OFFSet?

**Related Commands** [DISPlay:ACPower:Y\[:SCALE\]](#)

**Arguments** <value>::=<NRF> specifies the vertical offset. Range: -170 to +50 dBm.

**Examples** DISPLAY:ACPOWER:Y:SCALE:OFFSET -12.5 sets the vertical offset to -12.5 dBm in the Channel power and ACPR graph.

## DISPlay:ADEMod:MEASview:DELeTe (No Query Form)

Deletes the measurement view in the general purpose analog demodulation measurements.

**Conditions** Measurement views: General purpose analog demodulation

**Group** Display commands

**Syntax** DISPlay:ADEMod:MEASview:DELeTe { AM | FM | PM }

**Arguments** The following table lists the arguments.

**Table 2-29: Analog demodulation measurement views**

Argument	View
AM	AM measurement (modulation factor versus time)
FM	FM measurement (frequency deviation versus time)
PM	PM measurement (phase deviation versus time)

If you attempt to delete a view that is not displayed on screen, the error (-200, "Execution error; Measurement is not running") will be returned.

**Examples** DISPlay:ADEMOD:MEASVIEW:DELETEAM deletes the AM measurement view.

## DISPlay:ADEMod:MEASview:NEW (No Query Form)

Displays a new measurement view in the general purpose analog demodulation measurements.

**Conditions** Measurement views: General purpose analog demodulation

**Group** Display commands

**Syntax** DISPlay:ADEMod:MEASview:NEW { AM | FM | PM }

**Arguments** (See Table 2-29 on page 2-272.) If you attempt to open a view that is currently displayed on screen, the error (-200, "Execution error; Measurement is already running") will be returned.

**Examples**    `DISPLAY:AEMOD:MEASVIEW:NEWAM` creates the AM measurement view.

## DISPlay:AEMod:MEASview:SElect

Selects a measurement view on the screen in the general purpose analog demodulation measurements. The query command returns the currently selected view.

Selecting a measurement optimizes it. Other measurements may be optimized as a side effect. Refer to the [DISPlay:WINDow:OPTimized:MEASurement?](#) query.

**Conditions**    Measurement views: General purpose analog demodulation

**Group**        Display commands

**Syntax**       `DISPlay:AEMod:MEASview:SElect { AM | FM | PM }`  
`DISPlay:AEMod:MEASview:SElect?`

**Arguments**    (See Table 2-29 on page 2-272.) If you attempt to select a view that is not displayed on screen, the error (-200, "Execution error; Measurement not running") will be returned.

**Examples**    `DISPLAY:AEMOD:MEASVIEW:SELECTAM` selects the AM measurement view.

## DISPlay:{AM|FM|PM}:MARKer:SHOW:STATe

Determines whether to show or hide the marker readout in the AM/FM/PM measurement view.

**Conditions**    Measurement views: General purpose analog demodulation

**Group**        Display commands

**Syntax**       `DISPlay:{AM|FM|PM}:MARKer:SHOW:STATe { OFF | ON | 0 | 1 }`  
`DISPlay:{AM|FM|PM}:MARKer:SHOW:STATe?`

**Arguments**    OFF or 0 hides the marker readout on the screen.  
 ON or 1 shows the marker readout on the screen.

**Examples**     `DISPLAY:AM:MARKER:SHOW:STATE ON` shows the marker readout in the AM measurement view.

## **DISPlay:{AM|FM|PM}:WINDow:TRACe:GRATicule:GRID:STATE**

Determines whether to show or hide the graticule grid on the screen.

**Conditions**     Measurement views: General purpose analog demodulation

**Group**     Display commands

**Syntax**     `DISPlay:{AM|FM|PM}:WINDow:TRACe:GRATicule:GRID:STATE { OFF | ON | 0 | 1 }`  
`DISPlay:{AM|FM|PM}:WINDow:TRACe:GRATicule:GRID:STATE?`

**Arguments**     OFF or 0 hides the graticule grid.

ON or 1 shows the graticule grid.

**Examples**     `DISPLAY:AM:WINDOW:TRACE:GRATICULE:GRID:STATE ON` shows the graticule grid on the AM measurement view.

## **DISPlay:{AM|FM|PM}:X:RSCale (No Query Form)**

Rescales the horizontal axis automatically to fit the waveform to the screen in the AM/FM/PM measurement display.

**Conditions**     Measurement views: General purpose analog demodulation

**Group**     Display commands

**Syntax**     `DISPlay:{AM|FM|PM}:X:RSCale`

**Arguments**     None

**Examples**     `DISPLAY:AM:X:RSCALE` rescales the horizontal scale automatically to fit the waveform to the screen.

## DISPlay:{AM|FM|PM}:X[:SCALE]:AUTO (No Query Form)

Sets the horizontal scale automatically to fit the waveform to the screen in the AM/FM/PM measurement display.

**Conditions** Measurement views: General purpose analog demodulation

**Group** Display commands

**Syntax** DISPlay:{AM|FM|PM}:X[:SCALE]:AUTO

**Arguments** None

**Examples** DISPLAY:AM:X:SCALE:AUTO sets the horizontal scale automatically to fit the waveform to the screen in the AM/FM/PM measurement display.

## DISPlay:{AM|FM|PM}:X[:SCALE]:FULL

Sets or queries the horizontal scale (full-scale time) of the AM/FM/PM measurement graph.

**Conditions** Measurement views: General purpose analog demodulation

**Group** Display commands

**Syntax** DISPlay:{AM|FM|PM}:X[:SCALE]:FULL <value>  
DISPlay:{AM|FM|PM}:X[:SCALE]:FULL?

**Arguments** <value> ::= <NRf> specifies the horizontal scale in full-scale time.  
Range: 0 to 10<sup>27</sup> s.

**Examples** DISPlay:AM:X:SCALE:FULL 35us sets the horizontal scale to 35 μs in the AM measurement.

## DISPlay:{AM|FM|PM}:X[:SCALE]:OFFSet

Sets or queries the minimum horizontal value (left edge) of the AM/FM/PM measurement graph.

<b>Conditions</b>	Measurement views: General purpose analog demodulation
<b>Group</b>	Display commands
<b>Syntax</b>	DISP <code>lay</code> :{AM FM PM}:X[:SCALE]:OFFSet <value> DISP <code>lay</code> :{AM FM PM}:X[:SCALE]:OFFSet?
<b>Arguments</b>	<value>::=<NRF> specifies the minimum horizontal value. Range: $-0.9 \times (\text{horizontal scale})$ to $+0.9 \times (\text{horizontal scale})$
<b>Examples</b>	DISP <code>lay</code> :AM:X:SCALE:OFFSet 20.075us sets the minimum horizontal value to 20.075 $\mu$ s.

## DISP`lay`:{AM|FM|PM}:Y:RSCale (No Query Form)

Rescales the vertical axis automatically to fit the waveform to the screen in the AM/FM/PM measurement display.

<b>Conditions</b>	Measurement views: General purpose analog demodulation
<b>Group</b>	Display commands
<b>Syntax</b>	DISP <code>lay</code> :{AM FM PM}:Y:RSCale
<b>Arguments</b>	None
<b>Examples</b>	DISP <code>lay</code> :AM:Y:RSCALE rescales the vertical scale automatically to fit the waveform to the screen in the AM measurement.

## DISP`lay`:{AM|FM|PM}:Y[:SCALE]

Sets or queries the vertical range of the AM/FM/PM measurement graph.

<b>Conditions</b>	Measurement views: General purpose analog demodulation
<b>Group</b>	Display commands

**Syntax**    `DISPlay:{AM|FM|PM}:Y[:SCALE] <value>`  
`DISPlay:{AM|FM|PM}:Y[:SCALE]?`

**Arguments**    `<value>::=<Nrf>` specifies the vertical range.  
 The setting range depends on measurements as shown in the following table.

#### Setting range

Measurement	Setting range
AM	1% to 500%
FM	10 Hz to 120 MHz
PM	10° to 400°

**Examples**    `DISPLAY:AM:Y:SCALE 75` sets the vertical range to 75% in the AM measurement graph.

## DISPlay:{AM|FM|PM}:Y[:SCALE]:OFFSet

Sets or queries the vertical offset (center point of the vertical axis) in the AM/FM/PM measurement graph.

**Conditions**    Measurement views: General purpose analog demodulation

**Group**    Display commands

**Syntax**    `DISPlay:{AM|FM|PM}:Y[:SCALE]:OFFSet <value>`  
`DISPlay:{AM|FM|PM}:Y[:SCALE]:OFFSet?`

**Arguments**    `<value>::=<Nrf>` specifies the vertical offset.  
 The setting range depends on measurements as shown in the following table.

#### Setting range

Measurement	Setting range
AM	-500% to +500%
FM	$-(\text{maxVertScale} * (1 + 1.1) * 0.5)$ to $+(\text{maxVertScale} * (1 + 1.1) * 0.5)$
PM	-180° to +180°

**Examples**    `DISPLAY:AM:Y:SCALE:OFFSET -12.5` sets the vertical offset to -12.5% in the AM measurement graph.

## DISPlay:AUDio:MEASview:DELeTe (No Query Form)

Deletes the specified audio analysis view.

**Conditions** Measurement views: Audio Spectrum, Audio Summary

**Group** Display commands

**Syntax** DISPlay:AUDio:MEASview:DELeTe { SPECTrum | SUMMery }

**Arguments** SPECTrum deletes the Audio Spectrum view.

SUMMery deletes the Audio Summary view.

If you attempt to delete a view that is not displayed on screen, the error (-200, "Execution error; Measurement not running") will be returned.

**Examples** DISPlay:AUDio:MEASview:DELeTe SUMMery deletes the Audio Summary view.

## DISPlay:AUDio:MEASview:NEw (No Query Form)

Displays a new audio analysis view.

**Conditions** Measurement views: Audio Spectrum, Audio Summary

**Group** Display commands

**Syntax** DISPlay:AUDio:MEASview:NEw { SPECTrum | SUMMery }

**Arguments** SPECTrum creates a new Audio Spectrum view.

SUMMery creates a new Audio Summary view.

If you attempt to open a view that is currently displayed on screen, the error (-200, "Execution error; Measurement is already running") will be returned.

**Examples** DISPlay:AUDio:MEASview:NEw SUMMery creates a new Audio Summary view.



## DISPlay:AUDio:MEASview:SElect

Selects an audio analysis view on the screen. The query returns the currently selected view.

Selecting a measurement optimizes it. Other measurements may be optimized as a side effect. Refer to the [DISPlay:WINDow:OPTimized:MEASurement?](#) query.

<b>Conditions</b>	Measurement views: Audio Spectrum, Audio Summary
<b>Group</b>	Display commands
<b>Syntax</b>	DISPlay:AUDio:MEASview:SElect { SPECTrum   SUMMary } DISPlay:AUDio:MEASview:SElect?
<b>Arguments</b>	SPECTrum creates a new Audio Spectrum view. SUMMary creates a new Audio Summary view. If you attempt to open a view that is currently displayed on screen, the error (-200, "Execution error; Measurement is already running") will be returned.
<b>Examples</b>	DISPlay:AUDio:MEASview:SElect SPECTrum selects the Audio Spectrum display.

## DISPlay:AUDio:SPECTrum:FREQuency:[SCALe]:STARt

Sets or queries the start frequency (left edge) of the audio spectrum graph.

<b>Conditions</b>	Measurement views: Audio Spectrum
<b>Group</b>	Display commands
<b>Syntax</b>	DISPlay:AUDio:SPECTrum:FREQuency:[SCALe]:STARt <value> DISPlay:AUDio:SPECTrum:FREQuency:[SCALe]:STARt?
<b>Related Commands</b>	<a href="#">DISPlay:AUDio:SPECTrum:FREQuency:[SCALe]:STOP</a>
<b>Arguments</b>	<value> ::= <NRf> specifies the start frequency.

**Examples**     `DISPLAY:AUDIO:SPECTRUM:FREQUENCY:[SCALE]:START 0` sets the start frequency to 0 Hz.

## **DISPlay:AUDio:SPECTrum:FREQuency:[SCALe]:STOP**

Sets or queries the stop frequency (right edge) of the audio spectrum graph.

**Conditions**     Measurement views: Audio Spectrum

**Group**     Display commands

**Syntax**     `DISPlay:AUDio:SPECTrum:FREQuency:[SCALE]:STOP <value>`  
`DISPlay:AUDio:SPECTrum:FREQuency:[SCALE]:STOP?`

**Related Commands**     [DISPlay:AUDio:SPECTrum:FREQuency:\[SCALe\]:START](#)

**Arguments**     `<value> ::= <NRF>` specifies the stop frequency.

**Examples**     `DISPLAY:AUDIO:SPECTRUM:FREQUENCY:[SCALE]:STOP 20E+3` sets the stop frequency to 20 kHz.

## **DISPlay:AUDio:SPECTrum:FREQuency:AUTO (No Query Form)**

Rescales the horizontal axis automatically to fit the waveform to the screen in the audio spectrum view.

**Conditions**     Measurement views: Audio Spectrum

**Group**     Display commands

**Syntax**     `DISPlay:AUDio:SPECTrum:FREQuency:AUTO`

**Arguments**     None

**Examples**     `DISPLAY:AUDIO:SPECTRUM:FREQUENCY:AUTO` rescales the horizontal scale automatically to fit the waveform to the screen.

## DISPlay:AUDio:SPECTrum:MARKer:SHOW:STATe

Determines whether to show or hide the readouts for the selected marker in the audio spectrum view.

**Conditions** Measurement views: Audio Spectrum

**Group** Display commands

**Syntax** DISPlay:AUDio:SPECTrum:MARKer:SHOW:STATe { OFF | ON | 0 | 1 }  
DISPlay:AUDio:SPECTrum:MARKer:SHOW:STATe

**Arguments** OFF or 0 hides the readout for the selected marker in the view.  
ON or 1 shows the readout for the selected marker in the view.

**Examples** DISPLAY:AUDIO:SPECTRUM:MARKER:SHOW:STATE ON shows the readout for the selected marker in the audio spectrum view.

## DISPlay:AUDio:SPECTrum:RESet:SCALE (No Query Form)

Resets the horizontal and vertical scales in the audio spectrum view.

**Conditions** Measurement views: Audio Spectrum

**Group** Display commands

**Syntax** DISPlay:AUDio:SPECTrum:RESet:SCALE

**Arguments** None

**Examples** DISPLAY:AUDIO:SPECTRUM:RESET:SCALE resets the horizontal and vertical scales.

## DISPlay:AUDio:SPECTrum:SCALE:LOG:STATe

Determines whether or not to set the horizontal axis logarithmic in the audio spectrum view.

<b>Conditions</b>	Measurement views: Audio Spectrum
<b>Group</b>	Display commands
<b>Syntax</b>	DISP <code>l</code> ay:AUDio:SPECTrum:SCALE:LOG:STATE { OFF   ON   0   1 } DISP <code>l</code> ay:AUDio:SPECTrum:SCALE:LOG:STATE?
<b>Arguments</b>	OFF or 0 sets the horizontal axis linear. ON or 1 sets the horizontal axis logarithmic.
<b>Examples</b>	DISP <code>l</code> ay:AUDio:SPECTrum:SCALE:LOG:STATE ON sets the horizontal axis logarithmic in the audio spectrum view.

## DISP`l`ay:AUDio:SPECTrum:SHOW:NHARmonic:THReshold

Sets or queries the appearance of the non-harmonic threshold in the audio spectrum view.

<b>Conditions</b>	Measurement views: Audio Spectrum
<b>Group</b>	Display commands
<b>Syntax</b>	DISP <code>l</code> ay:AUDio:SPECTrum:SHOW:NHARmonic:THResho <code>l</code> d { SHADEd   LINE   OFF } DISP <code>l</code> ay:AUDio:SPECTrum:SHOW:NHARmonic:THResho <code>l</code> d?
<b>Arguments</b>	SHADEd uses shading for the non-harmonic threshold area in the display. LINE uses a line for the non-harmonic threshold area. OFF turns off the non-harmonic threshold in the display.
<b>Examples</b>	DISP <code>l</code> ay:AUDio:SPECTrum:SHOW:NHARmonic:THRESHOLD SHADEd uses shading to identify the non-harmonic threshold area in the audio spectrum view.

## DISP`l`ay:AUDio:SPECTrum:TABLE:SHOW:STATe

Determines whether to show or hide the results table in the audio spectrum view.

<b>Conditions</b>	Measurement views: Audio Spectrum
<b>Group</b>	Display commands
<b>Syntax</b>	<code>DISPlay:AUDio:SPECTrum:TABLE:SHOW:STATE { OFF   ON   0   1 }</code> <code>DISPlay:AUDio:SPECTrum:TABLE:SHOW:STATE?</code>
<b>Arguments</b>	OFF or 0 disables (hides) the results table in the audio spectrum view. ON or 1 shows the results table in the audio spectrum view.
<b>Examples</b>	<code>DISPlay:AUDio:SPECTrum:TABLE:SHOW:STATE OFF</code> hides the results table in the audio spectrum view.

## DISPlay:AUDio:SPECTrum:WINDow:TRACe:GRATICule:GRID:STATE

Determines whether to show or hide the graticule grid on the screen.

<b>Conditions</b>	Measurement views: Audio Spectrum
<b>Group</b>	Display commands
<b>Syntax</b>	<code>DISPlay:AUDio:SPECTrum:WINDow:TRACe:GRATICule:GRID:STATE { OFF   ON   0   1 }</code> <code>DISPlay:AUDio:SPECTrum:WINDow:TRACe:GRATICule:GRID:STATE?</code>
<b>Arguments</b>	OFF or 0 hides the graticule grid. ON or 1 shows the graticule grid.
<b>Examples</b>	<code>DISPlay:AUDio:SPECTrum:WINDow:TRACe:GRATICule:GRID:STATE OFF</code> hides the graticule grid on the screen.

## DISPlay:AUDio:SPECTrum:Y:[SCALE]

Sets or queries the vertical scale in the audio spectrum view.

The range of the scale is from 0.1 dB to 200 dB.

<b>Conditions</b>	Measurement views: Audio Spectrum
-------------------	-----------------------------------

**Group** Display commands

**Syntax** `DISPlay:AUDio:SPECTrum:Y:[SCALE] <value>`  
`DISPlay:AUDio:SPECTrum:Y:[SCALE]?`

**Arguments** `<value> ::= <NRf>` specifies the vertical scale value in dB.

**Examples** `DISPlay:AUDio:SPECTrum:Y:[SCALE] 100` sets the vertical scale to 100 dB.

## DISPlay:AUDio:SPECTrum:Y:[SCALE]:AUTO (No Query Form)

Rescales the vertical axis automatically in the audio spectrum view.

**Conditions** Measurement views: Audio Spectrum

**Group** Display commands

**Syntax** `DISPlay:AUDio:SPECTrum:Y:[SCALE]:AUTO`

**Arguments** None

**Examples** `DISPlay:AUDio:SPECTrum:Y:[SCALE]:AUTO` rescales the vertical axis automatically.

## DISPlay:AUDio:SPECTrum:Y:[SCALE]:OFFSet

Sets or queries the vertical position (offset) in the audio spectrum view.

**Conditions** Measurement views: Audio Spectrum

**Group** Display commands

**Syntax** `DISPlay:AUDio:SPECTrum:Y:[SCALE]:OFFSet <value>`  
`DISPlay:AUDio:SPECTrum:Y:[SCALE]:OFFSet?`

**Arguments** `<value> ::= <NRf>` specifies the vertical offset in dBm.

**Examples**     `DISPLAY:AUDIO:SPECTRUM:Y:[SCALE]:OFFSET 150` sets the vertical offset to 150 dBm<sup>2</sup>.

## DISPlay:AVTime:LEGend:STATe

Determines whether to show or hide the trace legend in the amplitude versus time view. The legend indicates the trace detection and function on the screen for each displayed trace.

**Conditions**     Measurement views: Amplitude versus Time

**Group**     Display commands

**Syntax**     `DISPlay:AVTime:LEGend:STATe { OFF | ON | 0 | 1 }`  
`DISPlay:AVTime:LEGend:STATe?`

**Arguments**     OFF or 0 hides the trace legend.  
ON or 1 shows the trace legend.

**Examples**     `DISPLAY:AVTIME:LEGEND:STATEON` shows the trace legend on the screen.

## DISPlay:AVTime:MARKer:SHOW:STATe

Determines whether to show or hide the readout for the selected marker on the screen in the Amplitude versus Time measurement.

**Conditions**     Measurement views: Amplitude versus Time

**Group**     Display commands

**Syntax**     `DISPlay:AVTime:MARKer:SHOW:STATe { OFF | ON | 0 | 1 }`  
`DISPlay:AVTime:MARKer:SHOW:STATe?`

**Arguments**     OFF or 0 hides the readout for the selected marker on screen.  
ON or 1 shows the readout for the selected marker on screen.

**Examples**     `DISPLAY:AVTIME:MARKER:SHOW:STATEON` shows the readout for the selected marker on screen.

## **DISPlay:AVTime:RESet (No Query Form)**

Resets the horizontal and vertical scale to the default values described below in the Amplitude versus Time view.

Vertical offset = Reference level,  
Vertical scale = 100 dB,  
Horizontal offset = Analysis offset, and  
Horizontal scale = Analysis length

**Conditions**     Measurement views: Amplitude versus Time

**Group**     Display commands

**Syntax**     `DISPlay:AVTime:RESet`

**Arguments**     None

**Examples**     `DISPLAY:AVTIME:RESET` resets the horizontal and vertical scale to the default values.

## **DISPlay:AVTime:TRIGger:LEVEl:STATE**

Determines whether to show or hide the power trigger level line on the screen in the Amplitude versus Time measurement.

**Conditions**     Measurement views: Amplitude versus Time

**Group**     Display commands

**Syntax**     `DISPlay:AVTime:TRIGger:LEVEl:STATE { OFF | ON | 0 | 1 }`  
`DISPlay:AVTime:TRIGger:LEVEl:STATE?`

**Arguments**     OFF or 0 hides the power trigger level line.

ON or 1 shows the power trigger level line.



**Examples** `DISPLAY:AVTIME:TRIGGER:LEVEL:STATEON` shows the power trigger level line on the screen.

## **DISPlay:AVTime:WINDow:TRACe:GRATicule:GRID:STATe**

Determines whether to show or hide the graticule grid on the screen.

**Conditions** Measurement views: Amplitude versus Time

**Group** Display commands

**Syntax** `DISPlay:AVTime:WINDow:TRACe:GRATicule:GRID:STATe { OFF | ON  
| 0 | 1 }`  
`DISPlay:AVTime:WINDow:TRACe:GRATicule:GRID:STATe?`

**Arguments** OFF or 0 hides the graticule grid.  
ON or 1 shows the graticule grid.

**Examples** `DISPLAY:AVTIME:WINDOW:TRACE:GRATICULE:GRID:STATEON` shows the graticule grid on the screen in the Amplitude versus Time view.

## **DISPlay:AVTime:X:RSCale (No Query Form)**

Rescales the horizontal axis automatically to fit the waveform to the screen in the Amplitude versus Time display.

**Conditions** Measurement views: Amplitude versus Time

**Group** Display commands

**Syntax** `DISPlay:AVTime:X:RSCale`

**Arguments** None

**Examples** `DISPLAY:AVTIME:X:RSCALE` rescales the horizontal scale automatically to fit the waveform to the screen.

## DISPlay:AVTime:X[:SCALe]:AUTO (No Query Form)

Sets the horizontal scale automatically to fit the waveform to the screen in the Amplitude versus Time view. Executing this command sets DISPlay:AVTime:X[:SCALe]:AUTO:STATe ON.

<b>Conditions</b>	Measurement views: Amplitude versus Time
<b>Group</b>	Display commands
<b>Syntax</b>	DISPlay:AVTime:X[:SCALe]:AUTO
<b>Related Commands</b>	<a href="#">DISPlay:AVTime:X[:SCALe]:AUTO:STATe</a>
<b>Arguments</b>	None
<b>Examples</b>	DISPlay:AVTime:X:SCALe:AUTO sets the horizontal scale automatically to fit the waveform to the screen.

## DISPlay:AVTime:X[:SCALe]:AUTO:STATe

Determines whether to set the horizontal scale automatically or manually.

<b>Conditions</b>	Measurement views: Amplitude versus Time
<b>Group</b>	Display commands
<b>Syntax</b>	DISPlay:AVTime:X[:SCALe]:AUTO:STATe { OFF   ON   0   1 } DISPlay:AVTime:X[:SCALe]:AUTO:STATe?
<b>Arguments</b>	OFF or 0 specifies that the horizontal scale is set manually. To set it, use the <a href="#">DISPlay:AVTime:X[:SCALe]:FULL</a> and <a href="#">DISPlay:AVTime:X[:SCALe]:OFFSet</a> commands.  ON or 1 specifies that the horizontal scale is set automatically.
<b>Examples</b>	DISPLAY:AVTIME:X:SCALE:AUTO:STATE ON specifies that the horizontal scale is set automatically.

## DISPlay:AVTime:X[:SCALe]:FULL

Sets or queries the horizontal scale (full-scale time) of the Amplitude versus Time graph. Programming a specified scale sets DISPlay:AVTime:X[:SCALe] AUTO:STATe OFF.

<b>Conditions</b>	Measurement views: Amplitude versus Time
<b>Group</b>	Display commands
<b>Syntax</b>	DISPlay:AVTime:X[:SCALe]:FULL <value> DISPlay:AVTime:X[:SCALe]:FULL?
<b>Related Commands</b>	<a href="#">DISPlay:AVTime:X[:SCALe]:AUTO:STATe</a> , <a href="#">DISPlay:AVTime:X[:SCALe]:OFFSet</a>
<b>Arguments</b>	<value>::=<NRf> specifies the horizontal scale in full-scale time. Use the <a href="#">DISPlay:AVTime:X[:SCALe]:MAXimum?</a> and <a href="#">DISPlay:AVTime:X[:SCALe]:MINimum?</a> queries to get the upper and lower limits of the setting range.
<b>Examples</b>	DISPLAY:AVTIME:X:SCALE:FULL 25.6us sets the horizontal scale to 25.6 $\mu$ s.

## DISPlay:AVTime:X[:SCALe]:MAXimum? (Query Only)

Queries the upper limit of the horizontal scale setting range.

<b>Conditions</b>	Measurement views: Amplitude versus Time
<b>Group</b>	Display commands
<b>Syntax</b>	DISPlay:AVTime:X[:SCALe]:MAXimum?
<b>Related Commands</b>	<a href="#">DISPlay:AVTime:X[:SCALe]:FULL</a>
<b>Arguments</b>	None
<b>Returns</b>	<NRf> The upper limit of the horizontal scale setting range.

**Examples**     `DISPLAY:AVTIME:X:SCALE:MAXIMUM?` might return `18.135E-3`, indicating that the upper limit of the horizontal scale setting range is 18.135 ms.

## DISPlay:AVTime:X[:SCALe]:MINimum? (Query Only)

Queries the lower limit of the horizontal scale setting range.

**Conditions**     Measurement views: Amplitude versus Time

**Group**            Display commands

**Syntax**           `DISPlay:AVTime:X[:SCALe]:MINimum?`

**Related Commands**     [DISPlay:AVTime:X\[:SCALe\]:FULL](#)

**Arguments**        None

**Returns**           <NRF> The lower limit of the horizontal scale setting range.

**Examples**     `DISPLAY:AVTIME:X:SCALE:MINIMUM?` might return `10.0E-9`, indicating that the lower limit of the horizontal scale setting range is 10.0 ns.

## DISPlay:AVTime:X[:SCALe]:OFFSet

Sets or queries the minimum horizontal value (left edge) of the Amplitude versus Time graph. Programming a specified offset sets `DISPlay:AVTime:X[:SCALe] AUTO:STATe OFF`.

**Conditions**        Measurement views: Amplitude versus Time

**Group**            Display commands

**Syntax**           `DISPlay:AVTime:X[:SCALe]:OFFSet <value>`  
`DISPlay:AVTime:X[:SCALe]:OFFSet?`

**Related Commands**     [DISPlay:AVTime:X\[:SCALe\]:AUTO:STATe](#), [DISPlay:AVTime:X\[:SCALe\]:FULL](#)

**Arguments** `<value>::=<Nrf>` specifies the minimum horizontal value. Use the [DISPlay:AVTime:X\[:SCALE\]:OFFSet:MAXimum?](#) and [DISPlay:AVTime:X\[:SCALE\]:OFFSet:MINimum?](#) queries to get the upper and lower limits of the setting range.

**Examples** `DISPlay:AVTIME:X:SCALE:OFFSET 800ns` sets the minimum horizontal value to 800 ns in the Amplitude versus Time graph.

## DISPlay:AVTime:X[:SCALE]:OFFSet:MAXimum? (Query Only)

Queries the upper limit of the horizontal offset setting range.

**Conditions** Measurement views: Amplitude versus Time

**Group** Display commands

**Syntax** `DISPlay:AVTime:X[:SCALE]:OFFSet:MAXimum?`

**Related Commands** [DISPlay:AVTime:X\[:SCALE\]:OFFSet](#)

**Arguments** None

**Returns** `<Nrf>` The upper limit of the horizontal offset setting range.

**Examples** `DISPlay:AVTIME:X:SCALE:OFFSET:MAXIMUM?` might return `-1.812E-3`, indicating that the upper limit of the horizontal offset setting range is -1.812 ms.

## DISPlay:AVTime:X[:SCALE]:OFFSet:MINimum? (Query Only)

Queries the lower limit of the horizontal offset setting range.

**Conditions** Measurement views: Amplitude versus Time

**Group** Display commands

**Syntax** `DISPlay:AVTime:X[:SCALE]:OFFSet:MINimum?`

**Related Commands**    [DISPlay:AVTime:X\[:SCALe\]:OFFSet](#)

**Arguments**    None

**Returns**    <NRF> The lower limit of the horizontal offset setting range.

**Examples**    `DISPlay:AVTime:X:SCALE:OFFSET:MINIMUM?` might return `-16.28E-3`, indicating that the lower limit of the horizontal offset setting range is -16.28 ms.

## DISPlay:AVTime:Y:RSCale (No Query Form)

Rescales the vertical axis automatically to fit the waveform to the screen in the Amplitude versus Time display.

**Conditions**    Measurement views: Amplitude versus Time

**Group**    Display commands

**Syntax**    `DISPlay:AVTime:Y:RSCale`

**Arguments**    None

**Examples**    `DISPlay:AVTime:Y:RSCALE` rescales the vertical scale automatically to fit the waveform to the screen.

## DISPlay:AVTime:Y[:SCALe]:FULL

Sets or queries the vertical range of the Amplitude versus Time graph.

**Conditions**    Measurement views: Amplitude versus Time

**Group**    Display commands

**Syntax**    `DISPlay:AVTime:Y[:SCALe]:FULL <value>`  
`DISPlay:AVTime:Y[:SCALe]:FULL?`

<b>Related Commands</b>	<a href="#">DISPlay:AVTime:Y[:SCALE]:OFFSet</a>
<b>Arguments</b>	<value> ::= <NRf> specifies the vertical range. Range: 0.1 to 200 dB.
<b>Examples</b>	DISPLAY:AVTIME:Y:SCALE:FULL 100 sets the vertical range to 100 dB in the Amplitude versus Time graph.

## DISPlay:AVTime:Y[:SCALE]:OFFSet

Sets or queries the vertical offset (the value at the top edge of the vertical axis) in the Amplitude versus Time graph.

**Conditions** Measurement views: Amplitude versus Time

**Group** Display commands

**Syntax** DISPlay:AVTime:Y[:SCALE]:OFFSet <value>  
DISPlay:AVTime:Y[:SCALE]:OFFSet?

**Related Commands** [DISPlay:AVTime:Y\[:SCALE\]:FULL](#)

**Arguments** <value> ::= <NRf> specifies the vertical offset. Range: -170 to +50 dBm.

**Examples** DISPLAY:AVTIME:Y:SCALE:OFFSET -12.5 sets the vertical offset to -12.5 dBm in the Amplitude versus Time graph.

## DISPlay:CCDF:LEGend:STATe

Determines whether to show or hide the trace legend in the CCDF view. The legend indicates the trace detection and function on the screen for each displayed CCDF trace.

**Conditions** Measurement views: CCDF

**Group** Display commands

**Syntax**     `DISPlay:CCDF:LEgEnd:StAte { OFF | ON | 0 | 1 }`  
`DISPlay:CCDF:LEgEnd:StAte?`

**Arguments**     OFF or 0 hides the trace legend.  
                     ON or 1 shows the trace legend.

**Examples**     `DISPlay:CCDF:LEgEnd:StAteON` shows the trace legend on the screen.

## DISPlay:CCDF:WINDow:TRACe:GRATICule:GRID:StAte

Determines whether to show or hide the graticule grid on the screen.

**Conditions**     Measurement views: CCDF

**Group**            Display commands

**Syntax**           `DISPlay:CCDF:WINDow:TRACe:GRATICule:GRID:StAte { OFF | ON`  
`| 0 | 1 }`  
`DISPlay:CCDF:WINDow:TRACe:GRATICule:GRID:StAte?`

**Arguments**     OFF or 0 hides the graticule grid.  
                     ON or 1 shows the graticule grid.

**Examples**       `DISPlay:CCDF:WINDow:TRACe:GRATICule:GRID:StAteON` shows the graticule grid on the screen in the CCDF view.

## DISPlay:CONSt:MPHase

Sets or queries the multiplication constant of the phase multiplication constellation display for a CPM signal. This command is valid when [\[SENSe\]:DDEMod:MODulation:TYPE](#) is set to CPM.

**Conditions**     Measurement views: Constellation

**Group**            Display commands



**Syntax** `DISPlay:CONSte:MPHase { P1 | P2 | P4 | P8 | P16 | P32 }`  
`DISPlay:CONSte:MPHase?`

**Arguments** The following table shows the arguments and phase multiplier.

**Phase multiplication**

Argument	Phase multiplier
P1	1
P2	2
P4	4
P8	8
P16	16
P32	32

**Examples** `DISPLAY:CONSTE:MPHASE P8` sets the phase multiplier to 8.

## DISPlay:CONSte:WINDow:TRACe:GRATicule:GRID:STATe

Determines whether to show or hide the graticule grid on the screen.

**Conditions** Measurement views: Constellation

**Group** Display commands

**Syntax** `DISPlay:CONSte:WINDow:TRACe:GRATicule:GRID:STATe { OFF | ON | 0 | 1 }`  
`DISPlay:CONSte:WINDow:TRACe:GRATicule:GRID:STATe?`

**Arguments** OFF or 0 hides the graticule grid.  
 ON or 1 shows the graticule grid.

**Examples** `DISPLAY:CONSTE:WINDOW:TRACE:GRATICULE:GRID:STATEON` shows the graticule grid on the screen.

## DISPlay:DDEMod:MEASview:DELeTe (No Query Form)

Deletes the measurement view in the general purpose digital modulation measurements.

**Conditions** Measurement views: General purpose digital modulation

**Group** Display commands

**Syntax** `DISPlay:DDEMod:MEASview:DELeTe { CONSte | DIQVtime | EDIagram | EVM | FDVTime | MERRor | PERRor | SIGNaqual | STABle | TDIagram }`

**Arguments** The following table lists the arguments. The arguments are the string type.

**Table 2-30: Modulation measurement views**

Argument	View
CONSte	Constellation
DIQVtime	Demodulated I&Q versus Time
EDIagram	Eye diagram
EVM	EVM (Error Vector Magnitude) versus Time
FDVTime	Frequency deviation versus Time
MERRor	Magnitude error versus Time
PERRor	Phase error versus Time
SIGNaqual	Signal quality
STABle	Symbol table
TDIagram	Trellis diagram

If you attempt to delete a view that is not displayed on screen, the error (-200, "Execution error; Measurement not running" will be returned.

**Examples** `DISPlay:DDEMOD:MEASVIEW:DELETECONSte` deletes the constellation view.

## DISPlay:DDEMod:MEASview:NEW (No Query Form)

Displays a new measurement view in the general purpose digital modulation measurements.

**Conditions** Measurement views: General purpose digital modulation

**Group** Display commands

<b>Syntax</b>	<code>DISPlay:DDEMod:MEASview:NEW { CONSTe   DIQVtime   EDIagram   EVM   FDVTime   MERRor   PERRor   SIGNALqual   STABle   TDIagram }</code>
<b>Arguments</b>	(See Table 2-30 on page 2-296.) If you attempt to open a view that is currently displayed on screen, the error (-200, "Execution error; Measurement is already running") will be returned.
<b>Examples</b>	<code>DISPLAY:DDEMOD:MEASVIEW:NEWCONSTe</code> creates the constellation view.

## DISPlay:DDEMod:MEASview:SElect

Selects a measurement view in the general purpose digital modulation measurements on the screen. The query command returns the currently selected view.

Selecting a measurement optimizes it. Other measurements may be optimized as a side effect. Refer to the [DISPlay:WINDow:OPTimized:MEASurement?](#) query.

<b>Conditions</b>	Measurement views: General purpose digital modulation
<b>Group</b>	Display commands
<b>Syntax</b>	<code>DISPlay:DDEMod:MEASview:SElect { CONSTe   DIQVtime   EDIagram   EVM   FDVTime   MERRor   PERRor   SIGNALqual   STABle   TDIagram }</code> <code>DISPlay:DDEMod:MEASview:SElect?</code>
<b>Arguments</b>	(See Table 2-30 on page 2-296.) If you attempt to select a view that is not displayed on screen, the error (-200, "Execution error; Measurement not running") will be returned.
<b>Examples</b>	<code>DISPLAY:DDEMOD:MEASVIEW:SELECTCONSTe</code> selects the constellation view.

## DISPlay:DDEMod:RADix

Sets or queries the base of symbols. This command is effective in the symbol table.

<b>Conditions</b>	Measurement views: Symbol table
-------------------	---------------------------------

<b>Group</b>	Display commands
<b>Syntax</b>	DISP <code>l</code> ay:DDEMod:RADiX { BINary   HEXadecima <code>l</code> } DISP <code>l</code> ay:DDEMod:RADiX?
<b>Arguments</b>	BINary selects binary notation. HEXadecima <code>l</code> selects hexadecimal notation.
<b>Examples</b>	DISP <code>l</code> AY:DDEMOD:RADIXBINary selects binary notation for the symbol table.

## DISP`l`ay:DDEMod:X[:SCALe]

Sets or queries the horizontal scale (full-scale time) for the time measurements in the general purpose digital modulation analysis. Programming a specified scale sets DISP`l`ay:DDEMod:X[:SCALe]:AUTO:STATe OFF.

<b>Conditions</b>	Measurement views: EVM versus Time, Magnitude error versus Time, Phase error versus Time
<b>Group</b>	Display commands
<b>Syntax</b>	DISP <code>l</code> ay:DDEMod:X[:SCALe] <va <code>l</code> ue> DISP <code>l</code> ay:DDEMod:X[:SCALe]?
<b>Related Commands</b>	DISP <code>l</code> ay:DDEMod:X[:SCALe]:AUTO:STATe, DISP <code>l</code> ay:DDEMod:X[:SCALe]:OFFSet
<b>Arguments</b>	<va <code>l</code> ue>::=<NRf> specifies the horizontal scale in full-scale time. Use the DISP <code>l</code> ay:DDEMod:X[:SCALe]:MAXimum? and DISP <code>l</code> ay:DDEMod:X[:SCALe]:MINimum? queries to get the upper and lower limits of the setting range. The unit can be changed by the [SENSe]:DDEMod:TIME:UNITs command.
<b>Examples</b>	DISP <code>l</code> AY:DDEMOD:X:SCALE 1.5us sets the horizontal scale to 1.5 $\mu$ s.

## DISPlay:DDEMod:X[:SCALE]:AUTO (No Query Form)

Sets the horizontal scale automatically to fit the waveform to the screen in the general purpose digital modulation analysis. Executing this command sets DISPlay:DDEMod:X[:SCALE]:AUTO:STATe ON.

**Conditions** Measurement views: EVM versus Time, Magnitude error versus Time, Phase error versus Time

**Group** Display commands

**Syntax** DISPlay:DDEMod:X[:SCALE]:AUTO

**Related Commands** [DISPlay:DDEMod:X\[:SCALE\]:AUTO:STATe](#)

**Arguments** None

**Examples** DISPLAY:DDEMOD:X:SCALE:AUTO sets the horizontal scale automatically to fit the waveform to the screen.

## DISPlay:DDEMod:X[:SCALE]:AUTO:STATe

Determines whether to set the horizontal scale automatically or manually.

**Conditions** Measurement views: EVM versus Time, Magnitude error versus Time, Phase error versus Time

**Group** Display commands

**Syntax** DISPlay:DDEMod:X[:SCALE]:AUTO:STATe { OFF | ON | 0 | 1 }  
DISPlay:DDEMod:X[:SCALE]:AUTO:STATe?

**Arguments** OFF or 0 specifies that the horizontal scale is set manually. To set it, use the [DISPlay:DDEMod:X\[:SCALE\]](#) and [DISPlay:DDEMod:X\[:SCALE\]:OFFSet](#) commands.

ON or 1 specifies that the horizontal scale is set automatically.

**Examples**     `DISPLAY:DDEMOD:X:SCALE:AUTO:STATE ON` specifies that the horizontal scale is set automatically.

## DISPlay:DDEMod:X[:SCALe]:MAXimum? (Query Only)

Queries the upper limit of the horizontal scale setting range.

**Conditions**     Measurement views: EVM versus Time, Magnitude error versus Time, Phase error versus Time

**Group**     Display commands

**Syntax**     `DISPlay:DDEMod:X[:SCALe]:MAXimum?`

**Arguments**     None

**Returns**     <NRF> The upper limit of the horizontal scale setting range.  
The unit can be changed by the [\[SENSe\]:DDEMod:TIME:UNITs](#) command.

**Examples**     `DISPLAY:DDEMOD:X:SCALE:MAXIMUM?` might return `18.135E-3`, indicating that the upper limit of the horizontal scale setting range is 18.135 ms.

## DISPlay:DDEMod:X[:SCALe]:MINimum? (Query Only)

Queries the lower limit of the horizontal scale setting range.

**Conditions**     Measurement views: EVM versus Time, Magnitude error versus Time, Phase error versus Time

**Group**     Display commands

**Syntax**     `DISPlay:DDEMod:X[:SCALe]:MINimum?`

**Arguments**     None

**Returns**     <NRF> The lower limit of the horizontal scale setting range.  
The unit can be changed by the [\[SENSe\]:DDEMod:TIME:UNITs](#) command.

**Examples** `DISPLAY:DDEMOD:X:SCALE:MINIMUM` might return `10.0E-9`, indicating that the lower limit of the horizontal scale setting range is 10.0 ns.

## DISPlay:DDEMod:X[:SCALe]:OFFSet

Sets or queries the minimum horizontal value (left edge) for the time measurements in the general purpose digital modulation analysis. Programming a specified offset sets `DISPlay:DDEMod:X[:SCALe]:AUTO:STATe` OFF.

**Conditions** Measurement views: EVM versus Time, Magnitude error versus Time, Phase error versus Time

**Group** Display commands

**Syntax** `DISPlay:DDEMod:X[:SCALe]:OFFSet <value>`  
`DISPlay:DDEMod:X[:SCALe]:OFFSet?`

**Related Commands** [DISPlay:DDEMod:X\[:SCALe\]:AUTO:STATe](#), [DISPlay:DDEMod:X\[:SCALe\]](#)

**Arguments** `<value> ::= <NRF>` specifies the minimum horizontal value.

Use the [DISPlay:DDEMod:X\[:SCALe\]:OFFSet:MAXimum?](#) and [DISPlay:DDEMod:X\[:SCALe\]:OFFSet:MINimum?](#) queries to get the upper and lower limits of the setting range.

The unit can be changed by the [\[SENSe\]:DDEMod:TIME:UNITs](#) command.

**Examples** `DISPLAY:DDEMOD:X:SCALE:OFFSET 20.075us` sets the minimum horizontal value to 20.075  $\mu$ s.

## DISPlay:DDEMod:X[:SCALe]:OFFSet:MAXimum? (Query Only)

Queries the upper limit of the horizontal offset setting range.

**Conditions** Measurement views: EVM versus Time, Magnitude error versus Time, Phase error versus Time

**Group** Display commands

**Syntax** `DISPlay:DDEMod:X[:SCALe]:OFFSet:MAXimum?`

<b>Arguments</b>	None
<b>Returns</b>	<NRF> The upper limit of the horizontal offset setting range. The unit can be changed by the <a href="#">[SENSe]:DDEMod:TIME:UNITs</a> command.
<b>Examples</b>	DISPLAY:DDEMOD:X:SCALE:OFFSET:MAXIMUM? might return -1.812E-3, indicating that the upper limit of the horizontal offset setting range is -1.812 ms.

## DISPlay:DDEMod:X[:SCALE]:OFFSet:MINimum? (Query Only)

Queries the lower limit of the horizontal offset setting range.

<b>Conditions</b>	Measurement views: EVM versus Time, Magnitude error versus Time, Phase error versus Time
<b>Group</b>	Display commands
<b>Syntax</b>	DISP <code>l</code> ay:DDEMod:X[:SCALE]:OFFSet:MINimum?
<b>Arguments</b>	None
<b>Returns</b>	<NRF> The lower limit of the horizontal offset setting range. The unit can be changed by the <a href="#">[SENSe]:DDEMod:TIME:UNITs</a> command.
<b>Examples</b>	DISPLAY:DDEMOD:X:SCALE:OFFSET:MINIMUM? might return -16.28E-3, indicating that the lower limit of the horizontal offset setting range is -16.28 ms.

## DISPlay:DDEMod:X[:SCALE]:RESet (No Query Form)

Presets the horizontal scale to the default value for the time measurements in the general purpose digital modulation analysis.

<b>Conditions</b>	Measurement views: EVM versus Time, Magnitude error versus Time, Phase error versus Time
<b>Group</b>	Display commands



<b>Syntax</b>	<code>DISPlay:DDEMod:X[:SCALE]:RESet</code>
<b>Arguments</b>	None
<b>Examples</b>	<code>DISPLAY:DDEMOD:X:SCALE:RESET</code> presets the horizontal scale to the default value.

## DISPlay:DIAGram:X[:SCALE]

Sets or queries the horizontal range for the eye and trellis diagrams in the general purpose digital modulation analysis.

<b>Conditions</b>	Measurement views: Eye diagram, Trellis diagram
<b>Group</b>	Display commands
<b>Syntax</b>	<code>DISPlay:DIAGram:X[:SCALE] &lt;value&gt;</code> <code>DISPlay:DIAGram:X[:SCALE]?</code>
<b>Arguments</b>	<code>&lt;value&gt; ::= &lt;NR1&gt;</code> specifies the horizontal range. Range: 1 to 16 symbols.
<b>Examples</b>	<code>DISPLAY:DIAGRAM:X:SCALE 3</code> sets the horizontal range to 3 symbols in the eye and trellis diagrams.

## DISPlay:DIAGram:X[:SCALE]:RESet (No Query Form)

Presets the horizontal scale to the default value for the eye and trellis diagrams in the general purpose digital modulation analysis.

<b>Conditions</b>	Measurement views: Eye diagram, Trellis diagram
<b>Group</b>	Display commands
<b>Syntax</b>	<code>DISPlay:DIAGram:X[:SCALE]:RESet</code>
<b>Arguments</b>	None

**Examples**     `DISPLAY:DIAGRAM:X:SCALE:RESET` presets the horizontal scale to the default value for the eye and trellis diagrams.

## **DISPlay:DIQVtime:WINDow:TRACe:GRATICule:GRID:STATe**

Determines whether to show or hide the graticule grid on the screen.

**Conditions**     Measurement views: Demodulated I&Q versus Time

**Group**     Display commands

**Syntax**     `DISPlay:DIQVtime:WINDow:TRACe:GRATICule:GRID:STATE { OFF | ON | 0 | 1 }`  
`DISPlay:DIQVtime:WINDow:TRACe:GRATICule:GRID:STATE?`

**Arguments**     OFF or 0 hides the graticule grid.  
                       ON or 1 shows the graticule grid.

**Examples**     `DISPLAY:DIQVTIME:WINDOW:TRACE:GRATICULE:GRID:STATEON` shows the graticule grid on the screen in the Demodulated I&Q versus Time view.

## **DISPlay:DIQVtime:Y[:SCALE]**

Sets or queries the vertical range of the Demodulated I&Q versus Time graph.

**Conditions**     Measurement views: Demodulated I&Q versus Time

**Group**     Display commands

**Syntax**     `DISPlay:DIQVtime:Y[:SCALE] <value>`  
`DISPlay:DIQVtime:Y[:SCALE]?`

**Arguments**     `<value>::=<Nrf>` specifies the vertical range. Range: 1  $\mu$ V to 10 V.

**Examples**     `DISPLAY:DIQVTIME:Y:SCALE 2.5` sets the vertical range to 2.5 V in the Demodulated I&Q versus Time graph.

## DISPlay:DIQVtime:Y[:SCALe]:AUTO (No Query Form)

Sets the vertical scale automatically to fit the waveform to the screen in the Demodulated I&Q versus Time display.

<b>Conditions</b>	Measurement views: Demodulated I&Q versus Time
<b>Group</b>	Display commands
<b>Syntax</b>	DISPlay:DIQVtime:Y[:SCALe]:AUTO
<b>Arguments</b>	None
<b>Examples</b>	DISPLAY:DIQVTIME:Y:SCALE:AUTO sets the vertical scale automatically to fit the waveform to the screen.

## DISPlay:DIQVtime:Y[:SCALe]:OFFSet

Sets or queries the vertical offset (center point of the vertical axis) of the Demodulated I&Q versus Time graph.

<b>Conditions</b>	Measurement views: Demodulated I&Q versus Time
<b>Group</b>	Display commands
<b>Syntax</b>	DISPlay:DIQVtime:Y[:SCALe]:OFFSet <value> DISPlay:DIQVtime:Y[:SCALe]:OFFSet?
<b>Arguments</b>	<value> ::= <NRF> specifies the vertical offset. Range: -5 to +5 V.
<b>Examples</b>	DISPLAY:DIQVTIME:Y:SCALE:OFFSET -0.5 sets the vertical offset to -0.5 V in the Demodulated I&Q versus Time graph.

## DISPlay:DPX:DGRam:TIME[:SCALe]:OFFSet:DIVision

Sets or queries the DPXogram vertical time offset in divisions.

<b>Conditions</b>	Measurement views: DPX spectrum
<b>Group</b>	Display commands
<b>Syntax</b>	DISP <code>l</code> ay:DPX:DGRam:TIME[:SCALE]:OFFSet:DIVision <value> DISP <code>l</code> ay:DPX:DGRam:TIME[:SCALE]:OFFSet:DIVision?
<b>Arguments</b>	<value> ::= <NRf> vertical offset value in divisions.
<b>Examples</b>	DISP <code>l</code> AY:DPX:DGRAM:TIME:SCALE:OFFSET:DIVISION 10 sets the vertical time off set to 10 divisions.

## DISP`l`ay:DPX:DGRam:TIME[:SCALE]:PDIVision

Sets or queries the DPXogram vertical time scale per division.

<b>Conditions</b>	MMeasurement views: DPX spectrum
<b>Group</b>	Display commands
<b>Syntax</b>	DISP <code>l</code> ay:DPX:DGRam:TIME[:SCALE]:PDIVision <value> DISP <code>l</code> ay:DPX:DGRam:TIME[:SCALE]:PDIVision?
<b>Arguments</b>	<value> ::= <NRf> vertical value in divisions.
<b>Examples</b>	DISP <code>l</code> AY:DPX:DGRAM:TIME:SCALE:PDIVISION 10 sets the vertical time scale to 10 seconds per division.

## DISP`l`ay:DPX:DGRam:TIME[:SCALE]:RESet (No Query Form)

Presets the time scale and offset to the default value for the DPXogram measurement.

<b>Conditions</b>	Measurement views: DPX spectrum
<b>Group</b>	Display commands

---

<b>Syntax</b>	<code>DISPlay:DPX:DGRam:TIME[:SCALE]:RESet</code>
<b>Arguments</b>	None
<b>Examples</b>	<code>DISPLAY:DPX:DGRAM:TIME:SCALE:RESET</code> presets the time scale and offset to the default value.

## DISPlay:DPX:DGRam:TSTamp:STATE

Determines whether to display the time stamp readout in the DPXogram display.

<b>Conditions</b>	Measurement views: DPX spectrum
<b>Group</b>	Display commands
<b>Syntax</b>	<code>DISPlay:DPX:DGRam:TSTamp:STATE { OFF   ON   0   1 }</code> <code>DISPlay:DPX:DGRam:TSTamp:STATE?</code>
<b>Arguments</b>	OFF or 0 hides the time stamp readout. ON or 1 shows the time stamp readout.
<b>Examples</b>	<code>DISPLAY:DPX:DGRAM:TSTAMP:STATE 0</code> hides the time stamp readout in the DPXogram display.

## DISPlay:DPX:DGRam:Y[:SCALE]:AUTO (No Query Form)

Rescales the height axis automatically to fit the waveform to the screen in the DPXogram display.

<b>Conditions</b>	Measurement views: DPX spectrum
<b>Group</b>	Display commands
<b>Syntax</b>	<code>DISPlay:DPX:DGRam:Y[:SCALE]:AUTO</code>
<b>Arguments</b>	None

**Examples**     `DISPLAY:DPX:DGRAM:Y:AUTO` rescales the height scale automatically to fit the waveform to the DPXogram display.

## **DISPlay:DPX:DGRam:Y[:SCALE]:RESet (No Query Form)**

Resets the height scale of the DPXogram display to the default values:  
Height position = 0 dB and Height scale = 100 dB.

**Conditions**     Measurement views: DPX spectrum

**Group**            Display commands

**Syntax**          `DISP\ay:DPX:DGRam:Y[:SCALE]:RESet`

**Arguments**      None

**Examples**        `DISPLAY:DPX:DGRAM:Y:RESET` resets the height scale of the DPXogram display.

## DISPlay:DPX:LEGend:STATe

Determines whether to show or hide the trace legend on the display. The legend indicates the trace detection and function on the screen for each displayed trace.

<b>Conditions</b>	Measurement views: DPX spectrum
<b>Group</b>	Display commands
<b>Syntax</b>	DISP <code>l</code> ay:DPX:LEGend:STATe { OFF   ON   0   1 } DISP <code>l</code> ay:DPX:LEGend:STATe?
<b>Arguments</b>	OFF or 0 hides the trace legend. ON or 1 shows the trace legend.
<b>Examples</b>	DISP <code>l</code> AY:DPX:LEGEND:STATE ON shows the trace legend on the screen.

## DISP`l`ay:DPX:WINDow:TRACe:GRATICule:GRID:STATe

Determines whether to show or hide the graticule grid on the screen.

<b>Conditions</b>	Measurement views: DPX spectrum
<b>Group</b>	Display commands
<b>Syntax</b>	DISP <code>l</code> ay:DPX:WINDow:TRACe:GRATICule:GRID:STATe { OFF   ON   0   1 } DISP <code>l</code> ay:DPX:WINDow:TRACe:GRATICule:GRID:STATe?
<b>Arguments</b>	OFF or 0 hides the graticule grid. ON or 1 shows the graticule grid.
<b>Examples</b>	DISP <code>l</code> AY:DPX:WINDOW:TRACE:GRATICULE:GRID:STATE ON shows the graticule grid on the screen in the DPX spectrum view.

## DISPlay:DPX:PHASe:Y[:SCALe]:AXIS

Sets or queries the vertical axis representation.

<b>Conditions</b>	Measurement views: DPX Phase
<b>Group</b>	Display commands
<b>Syntax</b>	DISP <code>lay</code> :DPX:PHASe:Y[:SCALe]:AXIS { MODu <code>l</code> opi   CONTi <code>n</code> uous } DISP <code>lay</code> :DPX:PHASe:Y[:SCALe]:AXIS?
<b>Arguments</b>	MODu <code>l</code> opi (modulo $\pi$ ) shows the phase constrained within $\pm 180^\circ$ along the vertical axis.  CONTi <code>n</code> uous shows the phase as continuous quantity along the vertical axis.
<b>Examples</b>	DISP <code>lay</code> :DPX:PHASe:Y[:SCALe]:AXIS MODu <code>l</code> opi selects modulo $\pi$ representation for the vertical axis.

## DISP`lay`:DPX:PHASe:Y[:SCALe]:AXIS:OFFSet

Sets or queries the vertical offset in the DPX Phase view.

<b>Conditions</b>	Measurement views: DPX Phase
<b>Group</b>	Display commands
<b>Syntax</b>	DISP <code>lay</code> :DPX:PHASe:Y[:SCALe]:AXIS:OFFSet <value> DISP <code>lay</code> :DPX:PHASe:Y[:SCALe]:AXIS:OFFSet?
<b>Arguments</b>	<value> :: <NRF> specifies the vertical offset. Range: $-180^\circ$ to $+180^\circ$ .
<b>Examples</b>	DISP <code>lay</code> :DPX:PHASe:Y[:SCALe]:AXIS:OFFSet -158.5 sets the vertical offset to $-158.5^\circ$ in the view.

## DISP`lay`:DPX:WINDow:TRACe:GRATICule:GRID:STATe

Determines whether to show or hide the graticule grid on the screen.



<b>Conditions</b>	Measurement views: DPX spectrum
<b>Group</b>	Display commands
<b>Syntax</b>	<code>DISPlay:DPX:WINDow:TRACe:GRATicule:GRID:STATE { OFF   ON   0   1 }</code> <code>DISPlay:DPX:WINDow:TRACe:GRATicule:GRID:STATE?</code>
<b>Arguments</b>	OFF or 0 hides the graticule grid. ON or 1 shows the graticule grid.
<b>Examples</b>	<code>DISPLAY:DPX:WINDOW:TRACE:GRATICULE:GRID:STATE ON</code> shows the graticule grid on the screen in the DPX spectrum view.

## DISPlay:DPX:Y[:SCALE]:OFFSet

Sets or queries the vertical offset (the value at the top edge of the vertical axis) of the DPX spectrum view.

**Conditions** Measurement views: DPX spectrum

**Group** Display commands

**Syntax** DISPlay:DPX:Y[:SCALE]:OFFSet <value>  
DISPlay:DPX:Y[:SCALE]:OFFSet?

**Arguments** <value> :: <NRF> specifies the vertical offset. Range: -270 to +150 dBm. The amplitude unit is set by the [\[SENSe\]:POWer:UNITs](#) command (default: dBm).

You can omit the unit in the argument. When you include the unit in the argument, only dBm is allowed. For the other amplitude units, omit the unit in the argument.

**Examples** DISPLAY:DPX:Y[:SCALE]:OFFSET -12.5dBm sets the vertical offset to -12.5 dBm.

## DISPlay:DPX:Y[:SCALE]:PDIVision

Sets or queries the vertical scale (per division) in the DPX spectrum view.

**Conditions** Measurement views: DPX spectrum

**Group** Display commands

**Syntax** DISPlay:DPX:Y[:SCALE]:PDIVision <value>  
DISPlay:DPX:Y[:SCALE]:PDIVision?

**Related Commands** [\[SENSe\]:POWer:UNITs](#)

**Arguments** <value> :: <NRF> specifies the vertical scale (per division). Range: 2 to 20 dB/div.

**Examples** DISPLAY:DPX:Y[:SCALE]:PDIVISION0.5 sets the vertical scale to 0.5 dB/div.

## DISPlay:EDIagram:WINDow:TRACe:GRATICule:GRID:STATE

Determines whether to show or hide the graticule grid on the screen in the eye diagram.

**Conditions** Measurement views: Eye diagram

**Group** Display commands

**Syntax** DISPlay:EDIagram:WINDow:TRACe:GRATICule:GRID:STATE { OFF | ON | 0 | 1 }  
DISPlay:EDIagram:WINDow:TRACe:GRATICule:GRID:STATE?

**Arguments** OFF or 0 hides the graticule grid.  
ON or 1 shows the graticule grid.

**Examples** DISPLAY:EDIAGRAM:WINDOW:TRACE:GRATICULE:GRID:STATE ON shows the graticule grid on the screen in the eye diagram.

## DISPlay:EDIagram:Y[:SCALE]

Sets or queries the vertical range of the eye diagram.

**Conditions** Measurement views: Eye diagram

**Group** Display commands

**Syntax** DISPlay:EDIagram:Y[:SCALE] <value>  
DISPlay:EDIagram:Y[:SCALE]?

**Arguments** <value> :: <NRF> specifies the vertical range. Range: 1  $\mu$  to 100 (unitless).

**Examples** DISPLAY:EDIAGRAM:Y:SCALE 2.5 sets the vertical range to 2.5 in the eye diagram.

## DISPlay:EDiagram:Y[:SCALe]:AUTO (No Query Form)

Sets the vertical scale automatically to fit the waveform to the screen in the eye diagram.

**Conditions** Measurement views: Eye diagram

**Group** Display commands

**Syntax** DISPlay:EDIagram:Y[:SCALe]:AUTO

**Arguments** None

**Examples** DISPLAY:EDIAGRAM:Y:SCALE:AUTO sets the vertical scale automatically to fit the waveform to the screen.

## DISPlay:EDiagram:Y[:SCALe]:OFFSet

Sets or queries the vertical offset (center point of the vertical axis) of the eye diagram.

**Conditions** Measurement views: Eye diagram

**Group** Display commands

**Syntax** DISPlay:EDIagram:Y[:SCALe]:OFFSet <value>  
DISPlay:EDIagram:Y[:SCALe]:OFFSet?

**Arguments** <value> :: <NRF> specifies the minimum vertical value.  
Range: -50 to +50 (unitless).

**Examples** DISPLAY:EDIAGRAM:Y:SCALE:OFFSET -0.5 sets the vertical offset to -0.5 in the eye diagram.

## DISPlay:EVM:WINDow:TRACe:GRATICule:GRID:STATe

Sets or queries the graticule grid view state for the EVM view.

<b>Conditions</b>	Measurement views: EVM versus Time
<b>Group</b>	Display commands
<b>Syntax</b>	DISP <code>lay</code> :EVM:WIND <code>ow</code> :TRAC <code>e</code> :GRAT <code>ic</code> ule:GRID:STAT <code>e</code> { OFF   ON   0   1 } DISP <code>lay</code> :EVM:WIND <code>ow</code> :TRAC <code>e</code> :GRAT <code>ic</code> ule:GRID:STAT <code>e</code> ?
<b>Arguments</b>	OFF or 0 hides the graticule grid. ON or 1 shows the graticule grid.
<b>Examples</b>	DISP <code>lay</code> :EVM:WIND <code>ow</code> :TRAC <code>e</code> :GRAT <code>ic</code> ule:GRID:STAT <code>e</code> ON shows the graticule grid on the EVM view.

## DISP`lay`:EVM:Y[:SCALe]

Sets or queries the vertical range of the EVM versus Time graph.

<b>Conditions</b>	Measurement views: EVM versus Time
<b>Group</b>	Display commands
<b>Syntax</b>	DISP <code>lay</code> :EVM:Y[:SCALe] <value> DISP <code>lay</code> :EVM:Y[:SCALe]?
<b>Related Commands</b>	<a href="#">DISP<code>lay</code>:EVM:Y[:SCALe]:OFFSet</a>
<b>Arguments</b>	<value> :: <NRf> specifies the vertical range. Range: 1 to 100%.
<b>Examples</b>	DISP <code>lay</code> :EVM:Y:SCALe 50 sets the vertical range to 50% in the EVM versus Time graph.

## DISPlay:EVM:Y[:SCALE]:AUTO (No Query Form)

Sets the vertical scale automatically to fit the waveform to the screen in the EVM versus Time display.

**Conditions** Measurement views: EVM versus Time

**Group** Display commands

**Syntax** DISPlay:EVM:Y[:SCALE]:AUTO

**Arguments** None

**Examples** DISPLAY:EVM:Y:SCALE:AUTO sets the vertical scale automatically to fit the waveform to the screen.

## DISPlay:EVM:Y[:SCALE]:OFFSet

Sets or queries the minimum vertical value (bottom edge) of the EVM versus Time graph.

**Conditions** Measurement views: EVM versus Time

**Group** Display commands

**Syntax** DISPlay:EVM:Y[:SCALE]:OFFSet <value>  
DISPlay:EVM:Y[:SCALE]:OFFSet?

**Related Commands** [DISPlay:EVM:Y\[:SCALE\]](#)

**Arguments** <value> :: <NRF> specifies the minimum vertical value. Range: -100 to 100%.

**Examples** DISPLAY:EVM:Y:SCALE:OFFSET -9.5 sets the minimum vertical value to -9.5% in the EVM versus Time graph.

## DISPlay:FDVTime:WINDow:TRACe:GRATicule:GRID:STATe

Determines whether to show or hide the graticule grid on the screen.

<b>Conditions</b>	Measurement views: Frequency deviation versus Time
<b>Group</b>	Display commands
<b>Syntax</b>	DISPlay:FDVTime:WINDow:TRACe:GRATicule:GRID:STATe { OFF   ON   0   1 } DISPlay:FDVTime:WINDow:TRACe:GRATicule:GRID:STATe?
<b>Arguments</b>	OFF or 0 hides the graticule grid. ON or 1 shows the graticule grid.
<b>Examples</b>	DISPLAY:FDVTIME:WINDOW:TRACE:GRATICULE:GRID:STATE ON shows the graticule grid on the Frequency deviation versus Time view.

## DISPPlay:FDVTime:Y[:SCALe]

Sets or queries the vertical range of the Frequency deviation versus Time graph.

<b>Conditions</b>	Measurement views: Frequency deviation versus Time
<b>Group</b>	Display commands
<b>Syntax</b>	DISPPlay:FDVTime:Y[:SCALe] <value> DISPPlay:FDVTime:Y[:SCALe]?
<b>Arguments</b>	<value> :: <Nrf> specifies the vertical range. Range: 10 Hz to 120 MHz.
<b>Examples</b>	DISPLAY:FDVTIME:Y:SCALE 30MHZ sets the vertical range to 30 MHz in the Frequency deviation versus Time graph.

## DISPPlay:FDVTime:Y[:SCALe]:AUTO (No Query Form)

Sets the vertical scale automatically to fit the waveform to the screen in the Frequency deviation versus Time view.

<b>Conditions</b>	Measurement views: Frequency deviation versus Time
<b>Group</b>	Display commands
<b>Syntax</b>	DISP <code>l</code> ay:FDVTime:Y[:SCALE]:AUTO
<b>Arguments</b>	None
<b>Examples</b>	DISP <code>l</code> AY:FDVTIME:Y:SCALE:AUTO sets the vertical scale automatically to fit the waveform to the screen.

## DISP`l`ay:FDVTime:Y[:SCALE]:OFFSet

Sets or queries the vertical offset (center point of the vertical axis) in the Frequency deviation versus Time graph.

<b>Conditions</b>	Measurement views: Frequency deviation versus Time
<b>Group</b>	Display commands
<b>Syntax</b>	DISP <code>l</code> ay:FDVTime:Y[:SCALE]:OFFSet <value> DISP <code>l</code> ay:FDVTime:Y[:SCALE]:OFFSet?
<b>Arguments</b>	<value> :: <Nrf> specifies the vertical offset. Range: -60 MHz to +60 MHz.
<b>Examples</b>	DISP <code>l</code> AY:FDVTIME:Y:SCALE:OFFSET -14.5MHZ sets the vertical offset to -14.5 MHz in the Frequency deviation versus Time graph.

## DISP`l`ay:{FSETtling|PSETtling}:MARKer:SHOW:STATe

Determines whether to show or hide the readout for the selected marker in the Frequency or Phase Settling views.

<b>Conditions</b>	Measurement views: Frequency and Phase Settling
<b>Group</b>	Display commands



**Syntax**    `DISPlay:{FSETtling|PSETtling}:MARKer:SHOW:STATE { OFF | ON  
| 0 | 1 }`  
`DISPlay:{FSETtling|PSETtling}:MARKer:SHOW:STATE?`

**Arguments**    OFF or 0 hides the readout for the selected marker in the view.  
 ON or 1 shows the readout for the selected marker in the view.

**Examples**    `DISPLAY:FSETTLING:MARKER:SHOW:STATE ON` shows the readout for the selected marker in the view.

## **DISPlay:{FSETtling|PSETtling}:TIME:DECimal**

Sets or queries the number of values to the right of the decimal point to include in the Settling Time and Settling Time from Trigger results.

**Conditions**    Measurement views: Frequency and Phase Settling Time

**Group**    Display commands

**Syntax**    `DISPlay:{FSETtling|PSETtling}:TIME:DECimal <value>`  
`DISPlay:{FSETtling|PSETtling}:TIME:DECimal?`

**Arguments**    `<value> :: <NR1>` specifies the number digits to the right of the decimal point to include in Settling Time and Settling Time from Trigger results. Range: 0 to 6.

**Examples**    `DISPLAY:PSETTLING:TIME:DECIMAL 3` sets the number of values to the right of the decimal point to 3 for the Phase Settling time measurement.

## **DISPlay:{FSETtling|PSETtling}:WINDow:TRACe:GRATicule:GRID:STATE**

Determines whether to show or hide the graticule grid on the screen.

**Conditions**    Measurement views: Frequency and Phase Settling

**Group**    Display commands

**Syntax**    `DISPlay:{FSETtling|PSETtling}:WINDow:TRACe:GRATicule:GRID:  
STATE { OFF | ON | 0 | 1 }`

DISPlay:{FSETtling|PSETtling}:WINDow:TRACe:GRATicule:GRID:STATE?

**Arguments** OFF or 0 hides the graticule grid.  
ON or 1 shows the graticule grid.

**Examples** DISPLAY:FSETTLING:WINDOW:TRACE:GRATICULE:GRID:STATE ON shows the graticule grid on the screen for the Frequency Settling display.

## DISPlay:{FSETtling|PSETtling}:X[:SCALE]

Sets or queries the horizontal scale (full-scale time) of the Settling Time graph. Programming a specified scale sets DISPlay:{FSETtling|PSETtling}:X[:SCALE] AUTO:STATe OFF.

**Conditions** Measurement views: Frequency versus Time

**Group** Display commands

**Syntax** DISPlay:{FSETtling|PSETtling}:X[:SCALE] <value>  
DISPlay:{FSETtling|PSETtling}:X[:SCALE]?

**Related Commands** [DISPlay:{FSETtling|PSETtling}:X\[:SCALE\]:AUTO:STATeDISPlay:{FSETtling|PSETtling}:X\[:SCALE\]:OFFSet](#),

**Arguments** <value>::={ <NRF> | MAXimum | MINimum } specifies the horizontal scale in full-scale time. MAXimum and MINimum represent the upper and lower limits of the setting range, respectively.

Use the [DISPlay:{FSETtling|PSETtling}:X\[:SCALE\]:MAXimum?](#) and [DISPlay:{FSETtling|PSETtling}:X\[:SCALE\]:MINimum?](#) queries to get the upper and lower limit values of the setting range.

**Examples** DISPLAY:FSETTLING:X:SCALE 25.6us sets the horizontal scale to 25.6  $\mu$ s.

## DISPlay:{FSETtling|PSETtling}:X[:SCALE]:AUTO (No Query Form)

Sets the horizontal scale automatically to fit the waveform to the screen in the Frequency and Phase Settling views. Executing this command sets DISPlay:{FSETtling|PSETtling}:X[:SCALE]:AUTO:STATe ON.

<b>Conditions</b>	Measurement views: Frequency and Phase Settling
<b>Group</b>	Display commands
<b>Syntax</b>	<code>DISPlay:{FSETtling PSETtling}:X[:SCALE]:AUTO</code>
<b>Related Commands</b>	<a href="#">DISPlay:{FSETtling PSETtling}:X[:SCALE]:AUTO:STATe</a>
<b>Arguments</b>	None
<b>Examples</b>	<code>DISPLAY:FSETTLING:X:SCALE:AUTO</code> sets the horizontal scale automatically to fit the waveform to the screen.

## `DISPlay:{FSETtling|PSETtling}:X[:SCALE]:AUTO:STATe`

Determines whether to set the horizontal scale automatically or manually.

<b>Conditions</b>	Measurement views: Frequency and Phase Settling
<b>Group</b>	Display commands
<b>Syntax</b>	<code>DISPlay:{FSETtling PSETtling}:X[:SCALE]:AUTO:STATE { OFF   ON   0   1 }</code> <code>DISPlay:{FSETtling PSETtling}:X[:SCALE]:AUTO:STATE?</code>
<b>Arguments</b>	OFF or 0 specifies that the horizontal scale is set manually. To set it, use the <a href="#">DISPlay:{FSETtling PSETtling}:X[:SCALE]</a> and <a href="#">DISPlay:{FSETtling PSETtling}:X[:SCALE]:OFFSet</a> commands. ON or 1 specifies that the horizontal scale is set automatically.
<b>Examples</b>	<code>DISPLAY:FSETTLING:X:SCALE:AUTO:STATE ON</code> specifies that the horizontal scale is set automatically.

## `DISPlay:{FSETtling|PSETtling}:X[:SCALE]:MAXimum? (Query Only)`

Queries the upper limit of the horizontal scale setting range.

<b>Conditions</b>	Measurement views: Frequency and Phase Settling
<b>Group</b>	Display commands
<b>Syntax</b>	DISPlay:{FSETtling PSETtling}:X[:SCALE]:MAXimum?
<b>Related Commands</b>	<a href="#">DISPlay:{FSETtling PSETtling}:X[:SCALE]</a>
<b>Arguments</b>	None
<b>Returns</b>	<NRF> The upper limit of the horizontal scale setting range.
<b>Examples</b>	DISPLAY:FSETTLING:X:SCALE:MAXIMUM? might return 18.135E-3, indicating that the upper limit of the horizontal scale setting range is 18.135 ms.

## DISPlay:{FSETtling|PSETtling}:X[:SCALE]:MINimum? (Query Only)

Queries the lower limit of the horizontal scale setting range.

<b>Conditions</b>	Measurement views: Frequency and Phase Settling
<b>Group</b>	Display commands
<b>Syntax</b>	DISPlay:{FSETtling PSETtling}:X[:SCALE]:MINimum?
<b>Related Commands</b>	<a href="#">DISPlay:FVTime:X[:SCALE]</a>
<b>Arguments</b>	None
<b>Returns</b>	<NRF> The lower limit of the horizontal scale setting range.
<b>Examples</b>	DISPLAY:FSETTLING:X:SCALE:MINIMUM? might return 10.0E-9, indicating that the lower limit of the horizontal scale setting range is 10.0 ns.

## DISPlay:{FSETtling|PSETtling}:X[:SCALe]:OFFSet

Sets or queries the minimum horizontal value (left edge) of the Frequency versus Time graph. Programming a specified offset sets DISPlay:{FSETtling|PSETtling}:X[:SCALe] AUTO:STATe OFF.

**Conditions** Measurement views: Frequency and Phase Settling

**Group** Display commands

**Syntax** DISPlay:{FSETtling|PSETtling}:X[:SCALe]:OFFSet <value>  
DISPlay:{FSETtling|PSETtling}:X[:SCALe]:OFFSet?

**Related Commands** [DISPlay:{FSETtling|PSETtling}:X\[:SCALe\]:AUTO:STATe](#), [DISPlay:{FSETtling|PSETtling}:X\[:SCALe\]](#)

**Arguments** <value>::={ <NRF> | MAXimum | MINimum } specifies the horizontal offset. MAXimum and MINimum represent the upper and lower limits of the setting range, respectively.

Use the [DISPlay:{FSETtling|PSETtling}:X\[:SCALe\]:OFFSet:MAXimum?](#) and [DISPlay:{FSETtling|PSETtling}:X\[:SCALe\]:OFFSet:MINimum?](#) queries to get the upper and lower limit values of the setting range.

**Examples** DISPLAY:FSETTLING:X:SCALE:OFFSET 800ns sets the minimum horizontal value to 800 ns in the Frequency Settling graph.

## DISPlay:{FSETtling|PSETtling}:X[:SCALe]:OFFSet:MAXimum? (Query Only)

Queries the upper limit of the horizontal offset setting range.

**Conditions** Measurement views: Frequency and Phase Settling

**Group** Display commands

**Syntax** DISPlay:{FSETtling|PSETtling}:X[:SCALe]:OFFSet:MAXimum?

**Related Commands** [DISPlay:{FSETtling|PSETtling}:X\[:SCALe\]:OFFSet](#)

**Arguments** None

**Returns** <NRF> The upper limit of the horizontal offset setting range.

**Examples** `DISPLAY:FSETTLING:X:SCALE:OFFSET:MAXIMUM?` might return `338.186000E-6`, indicating that the upper limit of the horizontal offset setting range is 338.186  $\mu$ s.

## **DISPlay:{FSETtling|PSETtling}:X[:SCALe]:OFFSet:MINimum? (Query Only)**

Queries the lower limit of the horizontal offset setting range.

**Conditions** Measurement views: Frequency and Phase Settling

**Group** Display commands

**Syntax** `DISPlay:{FSETtling|PSETtling}:X[:SCALe]:OFFSet:MINimum?`

**Related Commands** [DISPlay:FVTime:X\[:SCALe\]:OFFSet](#)

**Arguments** None

**Returns** <NRF> The lower limit of the horizontal offset setting range.

**Examples** `DISPLAY:FSETTLING:X:SCALE:OFFSET:MINIMUM?` might return `-338.186000E-6`, indicating that the lower limit of the horizontal offset setting range is -338.186  $\mu$ s.

## **DISPlay:{FSETtling|PSETtling}:Y[:SCALe]**

Sets or queries the vertical range of the Frequency versus Time graph.

**Conditions** Measurement views: Frequency and Phase Settling

**Group** Display commands

**Syntax**    `DISPlay:{FSETtling|PSETtling}:Y[:SCALE] <value>`  
`DISPlay:{FSETtling|PSETtling}:Y[:SCALE]?`

**Related Commands**    `DISPlay:{FSETtling|PSETtling}:Y[:SCALE]:OFFSet`

**Arguments**    `<value>` :: `<Nrf>` specifies the vertical range. Range: 10 Hz to 120 MHz.

**Examples**    `DISPlay:FSETTLING:Y:SCALE 30E6` sets the vertical range to 30 MHz in the Frequency Settling graph.

## **DISPlay:{FSETtling|PSETtling}:Y[:SCALE]:AUTO (No Query Form)**

Sets the vertical scale automatically to fit the waveform to the screen in the Frequency and Phase Settling views.

**Conditions**    Measurement views: Frequency and Phase Settling

**Group**    Display commands

**Syntax**    `DISPlay:{FSETtling|PSETtling}:Y[:SCALE]:AUTO`

**Arguments**    None

**Examples**    `DISPLAY:FSETTLING:Y:SCALE:AUTO` sets the vertical scale automatically to fit the waveform to the screen.

## **DISPlay:{FSETtling|PSETtling}:Y[:SCALE]:OFFSet**

Sets or queries the vertical offset (the value at the center of the vertical axis) in the Frequency and Phase Settling graphs.

**Conditions**    Measurement views: Frequency and Phase Settling

**Group**    Display commands

**Syntax**    `DISPlay:{FSETtling|PSETtling}:Y[:SCALE]:OFFSet <value>`  
`DISPlay:{FSETtling|PSETtling}:Y[:SCALE]:OFFSet?`

<b>Related Commands</b>	<code>DISPlay:{FSETtling PSETtling}:Y[:SCALE]</code>
<b>Arguments</b>	<code>&lt;value&gt; :: &lt;NRF&gt;</code> specifies the vertical offset. Range: -60 MHz to +60 MHz.
<b>Examples</b>	<code>DISPLAY:FVTIME:Y:SCALE:OFFSET -14.5E6</code> sets the vertical offset to -14.5 MHz in the Frequency Settling graph.

## DISPlay:{FSETtling|PSETtling}:Y[:SCALE]:PDIVision

Sets or queries the vertical scale (per division) of the Frequency and Phase Settling graphs.

<b>Conditions</b>	Measurement views: Frequency and Phase Settling
<b>Group</b>	Display commands
<b>Syntax</b>	<code>DISPlay:{FSETtling PSETtling}:Y[:SCALE]:PDIVision &lt;value&gt;</code> <code>DISPlay:{FSETtling PSETtling}:Y[:SCALE]:PDIVision?</code>
<b>Arguments</b>	<code>&lt;value&gt; :: &lt;NRF&gt;</code> specifies the vertical scale (per division). Range: <ul style="list-style-type: none"> <li>■ Frequency Settling (Hz/div) : 500 to the Maximum bandwidth of instrument</li> <li>■ Phase Settling (degrees/div): 0.10 to X.</li> </ul>
<b>Examples</b>	<code>DISPLAY:PSETTLING:Y:SCALE:PDIVISION 2.7</code> sets the vertical scale to 27 degrees.

## DISPlay:FVTime:WINDow:TRACe:GRATICule:GRID:STATe

Determines whether to show or hide the graticule grid on the screen.

<b>Conditions</b>	Measurement views: Frequency versus Time
<b>Group</b>	Display commands
<b>Syntax</b>	<code>DISPlay:FVTime:WINDow:TRACe:GRATICule:GRID:STATe { OFF   ON   0   1 }</code>



DISPlay:FVTime:WINDOW:TRACE:GRATICule:GRID:STATE?

**Arguments** OFF or 0 hides the graticule grid.

ON or 1 shows the graticule grid.

**Examples** DISPLAY:FVTIME:WINDOW:TRACE:GRATICULE:GRID:STATE ON shows the graticule grid on the Frequency versus Time view.

## DISPlay:FVTime:X[:SCALE]

Sets or queries the horizontal scale (full-scale time) of the Frequency versus Time graph. Programming a specified scale sets DISPlay:FVTime:X[:SCALE] AUTO:STATe OFF.

**Conditions** Measurement views: Frequency versus Time

**Group** Display commands

**Syntax** DISPlay:FVTime:X[:SCALE] <value>  
DISPlay:FVTime:X[:SCALE]?

**Related Commands** [DISPlay:FVTime:X\[:SCALE\]:AUTO:STATe](#), [DISPlay:FVTime:X\[:SCALE\]:OFFSet](#)

**Arguments** <value>::={ <Nrf> | MAXimum | MINimum } specifies the horizontal scale in full-scale time. MAXimum and MINimum represent the upper and lower limits of the setting range, respectively.

Use the [DISPlay:FVTime:X\[:SCALE\]:MAXimum?](#) and [DISPlay:FVTime:X\[:SCALE\]:MINimum?](#) queries to get the upper and lower limit values of the setting range.

**Examples** DISPLAY:FVTIME:X:SCALE 25.6us sets the horizontal scale to 25.6  $\mu$ s.

## DISPlay:FVTime:X[:SCALE]:AUTO (No Query Form)

Sets the horizontal scale automatically to fit the waveform to the screen in the Frequency versus Time view. Executing this command sets DISPlay:FVTime X[:SCALE]:AUTO:STATe ON.

<b>Conditions</b>	Measurement views: Frequency versus Time
<b>Group</b>	Display commands
<b>Syntax</b>	DISP <code>lay:FVTime:X[:SCALE]:AUTO</code>
<b>Related Commands</b>	<a href="#">DISP<code>lay:FVTime:X[:SCALE]:AUTO:STATE</code></a>
<b>Arguments</b>	None
<b>Examples</b>	DISP <code>lay:FVTIME:X:SCALE:AUTO</code> sets the horizontal scale automatically to fit the waveform to the screen.

## DISP`lay:FVTime:X[:SCALE]:AUTO:STATE`

Determines whether to set the horizontal scale automatically or manually.

<b>Conditions</b>	Measurement views: Frequency versus Time
<b>Group</b>	Display commands
<b>Syntax</b>	DISP <code>lay:FVTime:X[:SCALE]:AUTO:STATE { OFF   ON   0   1 }</code> DISP <code>lay:FVTime:X[:SCALE]:AUTO:STATE?</code>
<b>Arguments</b>	OFF or 0 specifies that the horizontal scale is set manually. To set it, use the <a href="#">DISP<code>lay:FVTime:X[:SCALE]</code></a> and <a href="#">DISP<code>lay:FVTime:X[:SCALE]:OFFSet</code></a> commands.  ON or 1 specifies that the horizontal scale is set automatically.
<b>Examples</b>	DISP <code>lay:FVTIME:X:SCALE:AUTO:STATE ON</code> specifies that the horizontal scale is set automatically.

## DISP`lay:FVTime:X[:SCALE]:MAXimum? (Query Only)`

Queries the upper limit of the horizontal scale setting range.

<b>Conditions</b>	Measurement views: Frequency versus Time
-------------------	--

---

<b>Group</b>	Display commands
<b>Syntax</b>	DISP <code>l</code> ay:FVTime:X[:SCALE]:MAXimum?
<b>Related Commands</b>	<a href="#">DISP<code>l</code>ay:FVTime:X[:SCALE]</a>
<b>Arguments</b>	None
<b>Returns</b>	<NRf> The upper limit of the horizontal scale setting range.
<b>Examples</b>	DISP <code>l</code> AY:FVTIME:X:SCALE:MAXIMUM? might return 18.135E-3, indicating that the upper limit of the horizontal scale setting range is 18.135 ms.

## DISP`l`ay:FVTime:X[:SCALE]:MINimum? (Query Only)

Queries the lower limit of the horizontal scale setting range.

<b>Conditions</b>	Measurement views: Frequency versus Time
<b>Group</b>	Display commands
<b>Syntax</b>	DISP <code>l</code> ay:FVTime:X[:SCALE]:MINimum?
<b>Related Commands</b>	<a href="#">DISP<code>l</code>ay:FVTime:X[:SCALE]</a>
<b>Arguments</b>	None
<b>Returns</b>	<NRf> The lower limit of the horizontal scale setting range.
<b>Examples</b>	DISP <code>l</code> AY:FVTIME:X:SCALE:MINIMUM? might return 10.0E-9, indicating that the lower limit of the horizontal scale setting range is 10.0 ns.

## DISPlay:FVTime:X[:SCALe]:OFFSet

Sets or queries the minimum horizontal value (left edge) of the Frequency versus Time graph. Programming a specified offset sets DISPlay:FVTime:X[:SCALe] AUTO:STATe OFF.

<b>Conditions</b>	Measurement views: Frequency versus Time
<b>Group</b>	Display commands
<b>Syntax</b>	DISPlay:FVTime:X[:SCALe]:OFFSet <value> DISPlay:FVTime:X[:SCALe]:OFFSet?
<b>Related Commands</b>	<a href="#">DISPlay:FVTime:X[:SCALe]:AUTO:STATe</a> , <a href="#">DISPlay:FVTime:X[:SCALe]</a>
<b>Arguments</b>	<value>::={ <NRF>   MAXimum   MINimum } specifies the horizontal offset. MAXimum and MINimum represent the upper and lower limits of the setting range, respectively.  Use the <a href="#">DISPlay:FVTime:X[:SCALe]:OFFSet:MAXimum?</a> and <a href="#">DISPlay:FVTime:X[:SCALe]:OFFSet:MINimum?</a> queries to get the upper and lower limit values of the setting range.
<b>Examples</b>	DISPLAY:FVTIME:X:SCALE:OFFSET 800ns sets the minimum horizontal value to 800 ns in the Frequency versus Time graph.

## DISPlay:FVTime:X[:SCALe]:OFFSet:MAXimum? (Query Only)

Queries the upper limit of the horizontal offset setting range.

<b>Conditions</b>	Measurement views: Frequency versus Time
<b>Group</b>	Display commands
<b>Syntax</b>	DISPlay:FVTime:X[:SCALe]:OFFSet:MAXimum?
<b>Related Commands</b>	<a href="#">DISPlay:FVTime:X[:SCALe]:OFFSet</a>
<b>Arguments</b>	None

**Returns** <NRf> The upper limit of the horizontal offset setting range.

**Examples** DISPLAY:FVTIME:X:SCALE:OFFSET:MAXIMUM? might return -1.812E-3, indicating that the upper limit of the horizontal offset setting range is -1.812 ms.

## DISPlay:FVTime:X[:SCALe]:OFFSet:MINimum? (Query Only)

Queries the lower limit of the horizontal offset setting range.

**Conditions** Measurement views: Frequency versus Time

**Group** Display commands

**Syntax** DISPlay:FVTime:X[:SCALe]:OFFSet:MINimum?

**Related Commands** [DISPlay:FVTime:X\[:SCALe\]:OFFSet](#)

**Arguments** None

**Returns** <NRf> The lower limit of the horizontal offset setting range.

**Examples** DISPLAY:FVTIME:X:SCALE:OFFSET:MINIMUM? might return -16.28E-3, indicating that the lower limit of the horizontal offset setting range is -16.28 ms.

## DISPlay:FVTime:Y[:SCALe]

Sets or queries the vertical range of the Frequency versus Time graph.

**Conditions** Measurement views: Frequency versus Time

**Group** Display commands

**Syntax** DISPlay:FVTime:Y[:SCALe] <value>  
DISPlay:FVTime:Y[:SCALe]?

**Related Commands** [DISPlay:FVTime:Y\[:SCALe\]:OFFSet](#)

**Arguments** <value> :: <Nrf> specifies the vertical range. Range: 10 Hz to 120 MHz.

**Examples** `DISPPlay:FVTime:Y:SCALE 30MHz` sets the vertical range to 30 MHz in the Frequency versus Time graph.

## DISPPlay:FVTime:Y[:SCALE]:AUTO (No Query Form)

Sets the vertical scale automatically to fit the waveform to the screen in the Frequency versus Time view.

**Conditions** Measurement views: Frequency versus Time

**Group** Display commands

**Syntax** `DISPPlay:FVTime:Y[:SCALE]:AUTO`

**Arguments** None

**Examples** `DISPPlay:FVTime:Y:SCALE:AUTO` sets the vertical scale automatically to fit the waveform to the screen.

## DISPPlay:FVTime:Y[:SCALE]:OFFSet

Sets or queries the vertical offset (the value at the center of the vertical axis) in the Frequency versus Time graph.

**Conditions** Measurement views: Frequency versus Time

**Group** Display commands

**Syntax** `DISPPlay:FVTime:Y[:SCALE]:OFFSet <value>`  
`DISPPlay:FVTime:Y[:SCALE]:OFFSet?`

**Related Commands** [DISPPlay:FVTime:Y\[:SCALE\]](#)

**Arguments** <value> :: <Nrf> specifies the vertical offset. Range: -60 MHz to +60 MHz.

**Examples** `DISPLAY:FVTIME:Y:SCALE:OFFSET -14.5MHz` sets the vertical offset to -14.5 MHz in the Frequency versus Time graph.

## DISPlay:GENeral:MEASview:DElete (No Query Form)

Deletes a measurement view in the general signal viewing.

**Conditions** Measurement views: General signal viewing

**Group** Display commands

**Syntax** `DISPlay:GENeral:MEASview:DElete { SPECTrum | DPX | AVTime | FVTime | PHVTime | IQVTime | SGRam | TOVerview }`

**Arguments** The following table shows the arguments. The arguments are the string type.

**Table 2-31: General signal viewing views**

Argument	View
SPECTrum	Spectrum
DPX	DPX (Digital Phosphor) spectrum
AVTime	Amplitude versus Time
FVTime	Frequency versus Time
PHVTime	Phase versus Time
IQVTime	IQ versus Time
SGRam	Spectrogram
TOVerview	Time overview

If you attempt to delete a view that is not displayed on screen, the error (-200, "Execution error; Measurement not running") will be returned.

**Examples** `DISPLAY:GENERAL:MEASVIEW:DELETEDPX` deletes the DPX spectrum view.

## DISPlay:GENeral:MEASview:NEW (No Query Form)

Displays a new measurement view in the general signal viewing.

**Conditions** Measurement views: General signal viewing

<b>Group</b>	Display commands
<b>Syntax</b>	<code>DISPlay:GENeral:MEASview:NEW { SPECTrum   DPX   AVTime   FVTime   PHVTime   IQVTime   SGRam   TOVerview }</code>
<b>Arguments</b>	(See Table 2-31 on page 2-333.) If you attempt to open a view that is currently displayed on screen, the error (-200, "Execution error; Measurement is already running") will be returned.
<b>Examples</b>	<code>DISPLAY:GENERAL:MEASVIEW:NEWDPX</code> creates the DPX spectrum view.

## DISPlay:GENeral:MEASview:SElect

Selects a measurement view in the general signal viewing on the screen. The query command returns the currently selected view.

Selecting a measurement optimizes it. Other measurements may be optimized as a side effect. Refer to the [DISPlay:WINDow:OPTimized:MEASurement?](#) query.

<b>Conditions</b>	Measurement views: General signal viewing
<b>Group</b>	Display commands
<b>Syntax</b>	<code>DISPlay:GENeral:MEASview:SElect { SPECTrum   DPX   AVTime   FVTime   PHVTime   IQVTime   SGRam   TOVerview }</code> <code>DISPlay:GENeral:MEASview:SElect?</code>
<b>Arguments</b>	(See Table 2-31 on page 2-333.) If you attempt to select a view that is not displayed on screen, the error (-200, "Execution error; Measurement not running") will be returned.  The time overview (TOVerview) cannot be selected as the primary measurement. If you select it, the error (-200, "Execution error; Time Overview cannot be Primary measurement") will be returned. If you use the <code>DISPlay:GENeral MEASview:SElect?</code> query with the time overview as the only measurement active, the error (-200, "Execution error; Analysis selected is not running") will be returned.
<b>Examples</b>	<code>DISPLAY:GENERAL:MEASVIEW:SELECTDPX</code> selects the DPX spectrum view.



## DISPlay:GPRF:MEASview:DELeTe (No Query Form)

Deletes a selected measurement view in the RF measurements.

<b>Conditions</b>	Measurement views: RF measurements
<b>Group</b>	Display commands
<b>Syntax</b>	<code>DISPlay:GPRF:MEASview:DELeTe { AM   FM   PM   CCDF   ACPower   FSETtling   MCPower   OBW   PNOise   PSETtling   SPURious   SEM }</code>
<b>Arguments</b>	<p>AM deletes the AM view.</p> <p>FM deletes the AM view.</p> <p>PM deletes the AM view.</p> <p>CCDF deletes the CCDF view.</p> <p>ACPower deletes the Channel power and ACPR view.</p> <p>FSETtling deletes the Frequency Settling view.</p> <p>MCPower deletes the MCPR view.</p> <p>OBW deletes the Occupied Bandwidth view.</p> <p>PNOise deletes the Phase Noise view (Option 11 only).</p> <p>PSETtling deletes the Phase Settling view.</p> <p>SPURious deletes the Spurious view.</p> <p>SEM deletes the Spectral Emissions Mask view.</p> <p>If you attempt to delete a view that is not displayed on screen, the error (-200, "Execution error; Measurement not running") will be returned.</p>
<b>Examples</b>	<code>DISPlay:GPRF:MEASview:DELeTeACPower</code> deletes the Channel power and ACPR view.

## DISPlay:GPRF:MEASview:NEw (No Query Form)

Displays a new measurement view in the RF measurements.

<b>Conditions</b>	Measurement views: RF measurements
-------------------	------------------------------------

<b>Group</b>	Display commands
<b>Syntax</b>	<code>DISPlay:GPRF:MEASview:NEW { AM   FM   PM   CCDF   ACPower   FSETtling MCPower   OBW   PNOise   PSETtling   SPURious   SEM }</code>
<b>Arguments</b>	<p>AM opens the AM view.</p> <p>FM opens the AM view.</p> <p>PM opens the AM view.</p> <p>CCDF opens the CCDF view.</p> <p>ACPower opens the Channel power and ACPR view.</p> <p>FSETtling opens the Frequency Settling view.</p> <p>MCPower opens the MCPR view.</p> <p>OBW opens the Occupied Bandwidth view.</p> <p>PNOise opens the Phase Noise view (Option 11 only).</p> <p>PSETtling opens the Phase Settling view.</p> <p>SPURious opens the Spurious view.</p> <p>SEM opens the Spectral Emissions Mask view.</p> <p>If you attempt to open a view that is currently displayed on screen, the error (-200, "Execution error; Measurement is already running") will be returned.</p>
<b>Examples</b>	<code>DISPLAY:GPRF:MEASVIEW:NEWACPower</code> creates the Channel power and ACPR view.

## DISPlay:GPRF:MEASview:SElect

Selects a measurement view in the RF measurements on the screen. The query command returns the currently selected view.

Selecting a measurement optimizes it. Other measurements may be optimized as a side effect. Refer to the [DISPlay:WINDow:OPTimized:MEASurement?](#) query.

**Conditions** Measurement views: RF measurements

**Group** Display commands

**Syntax** `DISPlay:GPRF:MEASview:SElect { AM | FM | PM | CCDF | ACPower  
| FSETtling | MCPower | OBW | PNOise | PSETtling | SPURious  
| SEM }`  
`DISPlay:GPRF:MEASview:SElect?`

**Arguments** AM selects the AM view.  
 FM selects the AM view.  
 PM selects the AM view.  
 CCDF selects the CCDF view.  
 ACPower selects the Channel power and ACPR view.  
 FSETtling selects the Frequency Settling view.  
 MCPower selects the MCPR view.  
 OBW selects the Occupied Bandwidth view.  
 PNOise selects the Phase Noise view (Option 11 only).  
 PSETtling selects the Phase Settling view.  
 SPURious selects the Spurious view.  
 SEM selects the Spectral Emissions Mask view.  
 If you attempt to select a view that is not displayed on screen, the error (-200, "Execution error; Measurement not running") will be returned.

**Examples** `DISPlay:GPRF:MEASVIEW:SELECTACPower` selects the Channel power and ACPR view.

## DISPlay:IQVTime:WINDow:TRACe:GRATicule:GRID:STATE

Determines whether to show or hide the graticule grid on the screen.

**Conditions** Measurement views: RF I&Q versus Time

**Group** Display commands

**Syntax** `DISPlay:IQVTime:WINDow:TRACe:GRATicule:GRID:STATE { OFF |  
ON | 0 | 1 }`  
`DISPlay:IQVTime:WINDow:TRACe:GRATicule:GRID:STATE?`

**Arguments** OFF or 0 hides the graticule grid.  
ON or 1 shows the graticule grid.

**Examples** DISPLAY:IQVTIME:WINDOW:TRACE:GRATICULE:GRID:STATE ON shows the graticule grid on the RF I&Q versus Time view.

## DISPlay:IQVTime:X[:SCALe]

Sets or queries the horizontal scale (full-scale time) of the RF I&Q versus Time graph. Programming a specified scale sets DISPlay:IQVTime:X[:SCALe] AUTO:STATe OFF.

**Conditions** Measurement views: RF I&Q versus Time

**Group** Display commands

**Syntax** DISPlay:IQVTime:X[:SCALe] <value>  
DISPlay:IQVTime:X[:SCALe]?

**Related Commands** [DISPlay:IQVTime:X\[:SCALe\]:AUTO:STATe](#), [DISPlay:IQVTime:X\[:SCALe\]:OFFSet](#)

**Arguments** <value>::={ <Nrf> | MAXimum | MINimum } specifies the horizontal scale in full-scale time. MAXimum and MINimum represent the upper and lower limits of the setting range, respectively. Use the [DISPlay:IQVTime:X\[:SCALe\]:MAXimum?](#) and [DISPlay:IQVTime:X\[:SCALe\]:MINimum?](#) queries to get the upper and lower limit values of the setting range.

**Examples** DISPLAY:IQVTIME:X:SCALE 100us sets the horizontal scale to 100  $\mu$ s.

## DISPlay:IQVTime:X[:SCALe]:AUTO (No Query Form)

Sets the horizontal scale automatically to fit the waveform to the screen in the RF I&Q versus Time view. Executing this command sets DISPlay:IQVTime X[:SCALe]:AUTO:STATe ON.

**Conditions** Measurement views: RF I&Q versus Time

<b>Group</b>	Display commands
<b>Syntax</b>	DISP <code>l</code> ay:IQVTime:X[:SCALE]:AUTO
<b>Related Commands</b>	<a href="#">DISP<code>l</code>ay:IQVTime:X[:SCALE]</a> , <a href="#">DISP<code>l</code>ay:IQVTime:X[:SCALE]:AUTO:STATe</a>
<b>Arguments</b>	None
<b>Examples</b>	DISP <code>l</code> AY:IQVTIME:X:SCALE:AUTO sets the horizontal scale automatically to fit the waveform to the screen.

## DISP`l`ay:IQVTime:X[:SCALE]:AUTO:STATe

Determines whether to set the horizontal scale automatically or manually.

<b>Conditions</b>	Measurement views: RF I&Q versus Time
<b>Group</b>	Display commands
<b>Syntax</b>	DISP <code>l</code> ay:IQVTime:X[:SCALE]:AUTO:STATe { OFF   ON   0   1 } DISP <code>l</code> ay:IQVTime:X[:SCALE]:AUTO:STATe?
<b>Arguments</b>	OFF or 0 specifies that the horizontal scale is set manually. To set it, use the <a href="#">DISP<code>l</code>ay:IQVTime:X[:SCALE]</a> and <a href="#">DISP<code>l</code>ay:IQVTime:X[:SCALE]:OFFSet</a> commands.  ON or 1 specifies that the horizontal scale is set automatically.
<b>Examples</b>	DISP <code>l</code> AY:IQVTIME:X:SCALE:AUTO:STATE ON specifies that the horizontal scale is set automatically.

## DISP`l`ay:IQVTime:X[:SCALE]:MAXimum? (Query Only)

Queries the upper limit of the horizontal scale setting range.

<b>Conditions</b>	Measurement views: RF I&Q versus Time
<b>Group</b>	Display commands

**Syntax**     `DISPlay:IQVTime:X[:SCALE]:MAXimum?`

**Related Commands**     [DISPlay:IQVTime:X\[:SCALE\]](#)

**Arguments**     None

**Returns**     <NRf> The upper limit of the horizontal scale setting range.

**Examples**     `DISPLAY:IQVTIME:X:SCALE:MAXIMUM?` might return `18.135E-3`, indicating that the upper limit of the horizontal scale setting range is 18.135 ms.

## **DISPlay:IQVTime:X[:SCALE]:MINimum? (Query Only)**

Queries the lower limit of the horizontal scale setting range.

**Conditions**     Measurement views: RF I&Q versus Time

**Group**     Display commands

**Syntax**     `DISPlay:IQVTime:X[:SCALE]:MINimum?`

**Related Commands**     [DISPlay:IQVTime:X\[:SCALE\]](#)

**Arguments**     None

**Returns**     <NRf> The lower limit of the horizontal scale setting range.

**Examples**     `DISPLAY:IQVTIME:X:SCALE:MINIMUM?` might return `10.0E-9`, indicating that the lower limit of the horizontal scale setting range is 10.0 ns.

## **DISPlay:IQVTime:X[:SCALE]:OFFSet**

Sets or queries the minimum horizontal value (left edge) of the RF I&Q versus Time graph. Programming a specified offset sets `DISPlay:IQVTime:X[:SCALE] AUTO:STATe OFF`.

<b>Conditions</b>	Measurement views: RF I&Q versus Time
<b>Group</b>	Display commands
<b>Syntax</b>	DISPlay:IQVTime:X[:SCALE]:OFFSet <value> DISPlay:IQVTime:X[:SCALE]:OFFSet?
<b>Related Commands</b>	<a href="#">DISPlay:IQVTime:X[:SCALE]:AUTO:STATe</a> , <a href="#">DISPlay:IQVTime:X[:SCALE]</a>
<b>Arguments</b>	<p>&lt;value&gt; ::= { &lt;Nrf&gt;   MAXimum   MINimum } specifies the horizontal offset. MAXimum and MINimum represent the upper and lower limits of the setting range, respectively.</p> <p>Use the <a href="#">DISPlay:IQVTime:X[:SCALE]:OFFSet:MAXimum?</a> and <a href="#">DISPlay:IQVTime:X[:SCALE]:OFFSet:MINimum?</a> queries to get the upper and lower limit values of the setting range.</p>
<b>Examples</b>	DISPLAY:IQVTIME:X:SCALE:OFFSET 800ns sets the minimum horizontal value to 800 ns in the RF I&Q versus Time graph.

## DISPlay:IQVTime:X[:SCALE]:OFFSet:MAXimum? (Query Only)

Queries the upper limit of the horizontal offset setting range.

<b>Conditions</b>	Measurement views: RF I&Q versus Time
<b>Group</b>	Display commands
<b>Syntax</b>	DISPlay:IQVTime:X[:SCALE]:OFFSet:MAXimum?
<b>Related Commands</b>	<a href="#">DISPlay:IQVTime:X[:SCALE]:OFFSet</a>
<b>Arguments</b>	None
<b>Returns</b>	<Nrf> The upper limit of the horizontal offset setting range.
<b>Examples</b>	DISPLAY:IQVTIME:X:SCALE:OFFSET:MAXIMUM? might return $-1.812E-3$ , indicating that the upper limit of the horizontal offset setting range is -1.812 ms.

## DISPlay:IQVTime:X[:SCALE]:OFFSet:MINimum? (Query Only)

Queries the lower limit of the horizontal offset setting range.

<b>Conditions</b>	Measurement views: RF I&Q versus Time
<b>Group</b>	Display commands
<b>Syntax</b>	DISPlay:IQVTime:X[:SCALE]:OFFSet:MINimum?
<b>Related Commands</b>	<a href="#">DISPlay:IQVTime:X[:SCALE]:OFFSet</a>
<b>Arguments</b>	None
<b>Returns</b>	<NRf> The lower limit of the horizontal offset setting range.
<b>Examples</b>	DISPLAY:IQVTIME:X:SCALE:OFFSET:MINIMUM? might return $-16.28E-3$ , indicating that the lower limit of the horizontal offset setting range is -16.28 ms.

## DISPlay:IQVTime:Y[:SCALE]

Sets or queries the vertical range of the RF I&Q versus Time graph.

<b>Conditions</b>	Measurement views: RF I&Q versus Time
<b>Group</b>	Display commands
<b>Syntax</b>	DISPlay:IQVTime:Y[:SCALE] <value> DISPlay:IQVTime:Y[:SCALE]?
<b>Related Commands</b>	<a href="#">DISPlay:IQVTime:Y[:SCALE]:OFFSet</a>
<b>Arguments</b>	<value> :: <NRf> specifies the vertical range. Range: 1 $\mu$ to 10 V.
<b>Examples</b>	DISPLAY:IQVTIME:Y:SCALE 1.5 sets the vertical range to 1.5 V in the RF I&Q versus Time graph.



## DISPlay:IQVTime:Y[:SCALE]:AUTO (No Query Form)

Sets the vertical scale automatically to fit the waveform to the screen in the RF I&Q versus Time view.

**Conditions** Measurement views: RF I&Q versus Time

**Group** Display commands

**Syntax** DISPlay:IQVTime:Y[:SCALE]:AUTO

**Arguments** None

**Examples** DISPLAY:IQVTIME:Y:SCALE:AUTO sets the vertical scale automatically to fit the waveform to the screen.

## DISPlay:IQVTime:Y[:SCALE]:OFFSet

Sets or queries the vertical offset (the value at the center of the vertical axis) in the RF I&Q versus Time graph.

**Conditions** Measurement views: RF I&Q versus Time

**Group** Display commands

**Syntax** DISPlay:IQVTime:Y[:SCALE]:OFFSet <value>  
DISPlay:IQVTime:Y[:SCALE]:OFFSet?

**Related Commands** [DISPlay:IQVTime:Y\[:SCALE\]](#)

**Arguments** <value> :: <NRF> specifies the vertical offset. Range: -5 to +5 V.

**Examples** DISPLAY:IQVTIME:Y:SCALE:OFFSET -82.75mV sets the vertical offset to -82.75 mV in the RF I&Q versus Time graph.

## DISPlay:IQVTime:Y[:SCALE]:RESCale (No Query Form)

Rescales the vertical axis automatically to fit the waveform to the screen.

**Conditions** Measurement views: RF I&Q versus Time

**Group** Display commands

**Syntax** DISPlay:IQVTime:Y[:SCALE]:RESCale

**Arguments** None

**Examples** DISPLAY:IQVTIME:Y:SCALE:RESCALE rescales the vertical axis automatically to fit the waveform to the screen.

## DISPlay:MCPower:MARKer:SHOW:STATE

Determines whether to show or hide the readout for the selected marker in the MCPR view.

**Conditions** Measurement views: MCPR

**Group** Display commands

**Syntax** DISPlay:MCPower:MARKer:SHOW:STATE { OFF | ON | 0 | 1 }  
DISPlay:MCPower:MARKer:SHOW:STATE?

**Arguments** OFF or 0 hides the readout for the selected marker in the graph.

ON or 1 shows the readout for the selected marker in the graph.

**Examples** DISPLAY:MCPOWER:MARKER:SHOW:STATE ON shows the readout for the selected marker in the graph.

## DISPlay:MCPower:PLEvel:SHOW:STATE

Determines whether to show or hide the power levels in the MCPR view.

**Conditions** Measurement views: MCPR

**Group** Display commands

**Syntax** DISPlay:MCPower:PLEvel:SHOW:STATE { OFF | ON | 0 | 1 }  
DISPlay:MCPower:PLEvel:SHOW:STATE?

**Arguments** OFF or 0 hides the power levels in the graph.  
ON or 1 shows the power levels in the graph.

**Examples** DISPLAY:MCPOWER:PLEVEL:SHOW:STATE ON shows the power levels in the graph.

## DISPlay:MCPower:RESet:SCALE (No Query Form)

Resets the horizontal and vertical scale to the default values described below in the MCPR view.

Vertical offset = Reference level,  
Vertical scale = 100 dB,  
Horizontal offset = Center frequency, and  
Horizontal scale = Default span

**Conditions** Measurement views: MCPR

**Group** Display commands

**Syntax** DISPlay:MCPower:RESet:SCALE

**Arguments** None

**Examples** DISPLAY:MCPOWER:RESET:SCALE resets the horizontal and vertical scale to the default values.

## DISPlay:MCPower:WINDow:TRACe:GRATICule:GRID:STATe

Determines whether to show or hide the graticule grid on the screen.

<b>Conditions</b>	Measurement views: MCPR
<b>Group</b>	Display commands
<b>Syntax</b>	DISP <code>l</code> ay:MCPower:WINDow:TRACe:GRATICule:GRID:STATe { OFF   ON   0   1 } DISP <code>l</code> ay:MCPower:WINDow:TRACe:GRATICule:GRID:STATe?
<b>Arguments</b>	OFF or 0 hides the graticule grid. ON or 1 shows the graticule grid.
<b>Examples</b>	DISP <code>l</code> AY:MCPOWER:WINDOW:TRACE:GRATICULE:GRID:STATE ON shows the graticule grid on the screen.

## DISP`l`ay:MCPower:X[:SCALE]

Sets or queries the horizontal range of the MCPR graph.

<b>Conditions</b>	Measurement views: MCPR
<b>Group</b>	Display commands
<b>Syntax</b>	DISP <code>l</code> ay:MCPower:X[:SCALE] <value> DISP <code>l</code> ay:MCPower:X[:SCALE]?
<b>Related Commands</b>	<a href="#">DISP<code>l</code>ay:MCPower:X[:SCALE]:OFFSet</a>
<b>Arguments</b>	<value> :: <NRF> specifies the horizontal range. Range: 10 Hz to 6.2 GHz (RSA6106A) / 14 GHz (RSA6114A).
<b>Examples</b>	DISP <code>l</code> AY:MCPOWER:X:SCALE 10MHZ sets the horizontal range to 10 MHz.

## DISPlay:MCPower:X[:SCALE]:AUTO (No Query Form)

Rescales the horizontal axis automatically to fit the waveform to the screen in the MCPR view.

**Conditions** Measurement views: MCPR

**Group** Display commands

**Syntax** DISPlay:MCPower:X[:SCALE]:AUTO

**Arguments** None

**Examples** DISPLAY:MCPOWER:X:SCALE:AUTO rescales the horizontal scale automatically to fit the waveform to the screen.

## DISPlay:MCPower:X[:SCALE]:OFFSet

Sets or queries the minimum horizontal value (left edge) of the MCPR graph.

**Conditions** Measurement views: MCPR

**Group** Display commands

**Syntax** DISPlay:MCPower:X[:SCALE]:OFFSet <value>  
DISPlay:MCPower:X[:SCALE]:OFFSet?

**Related Commands** [DISPlay:MCPower:X\[:SCALE\]](#)

**Arguments** <value> :: <NRF> specifies the minimum horizontal value.  
Range: [(center frequency) - (X scale) × 0.9] to [(center frequency) + (X scale) × 0.9]

**Examples** DISPLAY:MCPOWER:X:SCALE:OFFSET 1.45GHZ sets the minimum horizontal value to 1.45 GHz in the MCPR graph.

## DISPlay:MCPower:Y[:SCALE]

Sets or queries the vertical range of the MCPR graph.

**Conditions** Measurement views: MCPR

**Group** Display commands

**Syntax** DISPlay:MCPower:Y[:SCALE] <value>  
DISPlay:MCPower:Y[:SCALE]?

**Related Commands** [DISPlay:MCPower:Y\[:SCALE\]:OFFSet](#)

**Arguments** <value> :: <NRF> specifies the vertical range. Range: 0.1 to 200 dB.

**Examples** DISPLAY:MCPOWER:Y:SCALE 100 sets the vertical range to 100 dB in the MCPR graph.

## DISPlay:MCPower:Y[:SCALE]:AUTO (No Query Form)

Rescales the vertical axis automatically to fit the waveform to the screen in the MCPR view.

**Conditions** Measurement views: MCPR

**Group** Display commands

**Syntax** DISPlay:MCPower:Y[:SCALE]:AUTO

**Arguments** None

**Examples** DISPLAY:MCPOWER:Y:SCALE:AUTO rescales the vertical scale automatically to fit the waveform to the screen.

## DISPlay:MCPower:Y[:SCALE]:OFFSet

Sets or queries the vertical offset (the value at the top edge of the vertical axis) in the MCPR graph.

**Conditions** Measurement views: MCPR

**Group** Display commands

**Syntax** DISPlay:MCPower:Y[:SCALE]:OFFSet <value>  
DISPlay:MCPower:Y[:SCALE]:OFFSet?

**Related Commands** [DISPlay:MCPower:Y\[:SCALE\]](#)

**Arguments** <value> :: <NRF> specifies the vertical offset. Range: -170 to +50 dBm.

**Examples** DISPLAY:MCPOWER:Y:SCALE:OFFSET -12.5 sets the vertical offset to -12.5 dBm in the MCPR graph.

## DISPlay:MERRor:WINDow:TRACe:GRATICule:GRID:STATe

Sets or queries the graticule grid view state for the Magnitude Error versus Time view.

**Conditions** Measurement views: Magnitude error versus Time

**Group** Display commands

**Syntax** DISPlay:MERRor:WINDow:TRACe:GRATICule:GRID:STATe { OFF | ON  
| 0 | 1 }  
DISPlay:MERRor:WINDow:TRACe:GRATICule:GRID:STATe?

**Arguments** OFF or 0 hides the graticule grid.  
ON or 1 shows the graticule grid.

**Examples** DISPLAY:MERROR:WINDOW:TRACE:GRATICULE:GRID:STATE ON shows the graticule grid on the Magnitude Error versus Time view.

## DISPlay:MERRor:Y[:SCALe]

Sets or queries the vertical range of the Magnitude Error versus Time graph.

**Conditions** Measurement views: Magnitude Error versus Time

**Group** Display commands

**Syntax** DISPlay:MERRor:Y[:SCALe] <value>  
DISPlay:MERRor:Y[:SCALe]?

**Related Commands** [DISPlay:MERRor:Y\[:SCALe\]:OFFSet](#)

**Arguments** <value> :: <NRF> specifies the vertical range. Range: 1 to 100%.

**Examples** DISPLAY:MERROR:Y:SCALE 50 sets the vertical range to 50% in the Magnitude error versus Time graph.

## DISPlay:MERRor:Y[:SCALe]:AUTO (No Query Form)

Sets the vertical scale automatically to fit the waveform to the screen in the Magnitude error versus Time view.

**Conditions** Measurement views: Magnitude error versus Time

**Group** Display commands

**Syntax** DISPlay:MERRor:Y[:SCALe]:AUTO

**Arguments** None

**Examples** DISPLAY:MERROR:Y:SCALE:AUTO sets the vertical scale automatically to fit the waveform to the screen.



## DISPlay:MERRor:Y[:SCALe]:OFFSet

Sets or queries the minimum vertical value (bottom edge) of the Magnitude error versus Time graph.

**Conditions** Measurement views: Magnitude error versus Time

**Group** Display commands

**Syntax** DISPlay:MERRor:Y[:SCALe]:OFFSet <value>  
DISPlay:MERRor:Y[:SCALe]:OFFSet?

**Related Commands** [DISPlay:MERRor:Y\[:SCALe\]](#)

**Arguments** <value> :: <NRf> specifies the minimum vertical value. Range: -100 to +100%.

**Examples** DISPLAY:MERROR:Y:SCALE:OFFSET -9.5 sets the minimum vertical value to -9.5% in the Magnitude error versus Time graph.

## DISPlay:OBWidth:MARKer:SHOW:STATe

Determines whether to show or hide the readout for the selected marker in the Occupied Bandwidth view.

**Conditions** Measurement views: Occupied Bandwidth

**Group** Display commands

**Syntax** DISPlay:OBWidth:MARKer:SHOW:STATe { OFF | ON | 0 | 1 }  
DISPlay:OBWidth:MARKer:SHOW:STATe?

**Arguments** OFF or 0 hides the readout for the selected marker in the view.  
ON or 1 shows the readout for the selected marker in the view.

**Examples** DISPLAY:OBWIDTH:MARKER:SHOW:STATE ON shows the readout for the selected marker in the view.

## DISPlay:OBWidth:RESet:SCALE (No Query Form)

Resets the horizontal and vertical scale to the default values described below in the Occupied Bandwidth view.

Vertical offset = Reference level,  
Vertical scale = 100 dB,  
Horizontal offset = Center frequency, and  
Horizontal scale = Default span

<b>Conditions</b>	Measurement views: Occupied Bandwidth
<b>Group</b>	Display commands
<b>Syntax</b>	DISPly:OBwidth:RESet:SCALE
<b>Arguments</b>	None
<b>Examples</b>	DISPLAY:OBWIDTH:RESET:SCALE resets the horizontal and vertical scale to the default values.

## DISPlay:OBWidth:SElected:BANDwidth

Sets or queries the bandwidth (OBW or x dB BW) to measure in the Occupied Bandwidth view.

<b>Conditions</b>	Measurement views: Occupied Bandwidth
<b>Group</b>	Display commands
<b>Syntax</b>	DISPly:OBwidth:SElected:BANDwidth { OBwidth   XDBbandwidth } DISPly:OBwidth:SElected:BANDwidth?
<b>Arguments</b>	OBwidth selects the occupied bandwidth to measure. XDBbandwidth selects the x dB bandwidth to measure.
<b>Examples</b>	DISPLAY:OBWIDTH:SELECTED:BANDWIDTHOBwidth selects the occupied bandwidth to measure.

## DISPlay:OBWidth:WINDow:TRACe:GRATICule:GRID:STATe

Determines whether to show or hide the graticule grid on the screen.

**Conditions** Measurement views: Occupied Bandwidth

**Group** Display commands

**Syntax** DISPlay:OBWidth:WINDow:TRACe:GRATICule:GRID:STATe { OFF | ON | 0 | 1 }  
DISPlay:OBWidth:WINDow:TRACe:GRATICule:GRID:STATe?

**Arguments** OFF or 0 hides the graticule grid.

ON or 1 shows the graticule grid.

**Examples** DISPLAY:OBWIDTH:WINDOW:TRACE:GRATICULE:GRID:STATE ON shows the graticule grid on the screen.

## DISPlay:OBWidth:X[:SCALE]

Sets or queries the horizontal range of the Occupied Bandwidth view.

**Conditions** Measurement views: Occupied Bandwidth

**Group** Display commands

**Syntax** DISPlay:OBWidth:X[:SCALE] <value>  
DISPlay:OBWidth:X[:SCALE]?

**Related Commands** [DISPlay:OBWidth:X\[:SCALE\]:OFFSet](#)

**Arguments** <value> :: <Nrf> specifies the horizontal range.  
Range: 10 Hz to 6.2 GHz (RSA6106A) / 14 GHz (RSA6114A).

**Examples** DISPLAY:OBWIDTH:X:SCALE 10MHZ sets the horizontal range to 10 MHz.

## DISPlay:OBWidth:X[:SCALE]:AUTO (No Query Form)

Rescales the horizontal axis automatically to fit the waveform to the screen in the Occupied Bandwidth view.

**Conditions** Measurement views: Occupied Bandwidth

**Group** Display commands

**Syntax** DISPlay:OBwidth:X[:SCALE]:AUTO

**Arguments** None

**Examples** DISPLAY:OBWIDTH:X:SCALE:AUTO rescales the horizontal scale automatically to fit the waveform to the screen.

## DISPlay:OBWidth:X[:SCALE]:OFFSet

Sets or queries the minimum horizontal value (left edge) of the Occupied Bandwidth view.

**Conditions** Measurement views: Occupied Bandwidth

**Group** Display commands

**Syntax** DISPlay:OBwidth:X[:SCALE]:OFFSet <value>  
DISPlay:OBwidth:X[:SCALE]:OFFSet?

**Related Commands** [DISPlay:OBWidth:X\[:SCALE\]](#)

**Arguments** <value> :: <NRF> specifies the minimum horizontal value.  
Range: [(center frequency) - (X scale) × 0.9] to [(center frequency) + (X scale) × 0.9]

**Examples** DISPLAY:OBWIDTH:X:SCALE:OFFSET 1.45GHZ sets the minimum horizontal value to 1.45 GHz in the Occupied Bandwidth view.

## DISPlay:OBWidth:Y[:SCALE]

Sets or queries the vertical range of the Occupied Bandwidth view.

**Conditions** Measurement views: Occupied Bandwidth

**Group** Display commands

**Syntax** DISPlay:OBWidth:Y[:SCALE] <value>  
DISPlay:OBWidth:Y[:SCALE]?

**Related Commands** [DISPlay:OBWidth:Y\[:SCALE\]:OFFSet](#)

**Arguments** <value> :: <NRf> specifies the vertical range. Range: 0.1 to 200 dB.

**Examples** DISPLAY:OBWIDTH:Y:SCALE 100 sets the vertical range to 100 dB in the Occupied Bandwidth view.

## DISPlay:OBWidth:Y[:SCALE]:AUTO (No Query Form)

Rescales the vertical axis automatically to fit the waveform to the screen in the Occupied Bandwidth view.

**Conditions** Measurement views: Occupied Bandwidth

**Group** Display commands

**Syntax** DISPlay:OBWidth:Y[:SCALE]:AUTO

**Arguments** None

**Examples** DISPLAY:OBWIDTH:Y:SCALE:AUTO rescales the vertical scale automatically to fit the waveform to the screen.

## DISPlay:OBWidth:Y[:SCALE]:OFFSet

Sets or queries the vertical offset (the value at the top edge of the vertical axis) in the Occupied Bandwidth view.

<b>Conditions</b>	Measurement views: Occupied Bandwidth
<b>Group</b>	Display commands
<b>Syntax</b>	DISP <code>l</code> ay:OBwidth:Y[:SCALE]:OFFSet <value> DISP <code>l</code> ay:OBwidth:Y[:SCALE]:OFFSet?
<b>Related Commands</b>	<a href="#">DISP<code>l</code>ay:OBwidth:Y[:SCALE]</a>
<b>Arguments</b>	<value> :: <NRF> specifies the vertical offset. Range: -170 to +50 dBm.
<b>Examples</b>	DISP <code>l</code> AY:OBWIDTH:Y:SCALE:OFFSET -12.5 sets the vertical offset to -12.5 dBm in the Occupied Bandwidth view.

## DISP`l`ay:OFDM:CONStE:X:OFFSet

Sets or queries the horizontal offset in the OFDM Constellation view.

<b>Conditions</b>	Measurement views: OFDM
<b>Group</b>	Display commands
<b>Syntax</b>	DISP <code>l</code> ay:OFDM:CONStE:X:OFFSet <value> DISP <code>l</code> ay:OFDM:CONStE:X:OFFSet?
<b>Arguments</b>	<value> :: <NRF> specifies the offset range.
<b>Examples</b>	DISP <code>l</code> AY:OFDM:CONSTE:X:OFFSET 2.7 sets the horizontal offset to 2.7 units to the left.

## DISPlay:OFDM:CONStE:Y:OFFSet

Sets or queries the vertical offset in the OFDM Constellation view.

<b>Conditions</b>	Measurement views: OFDM
<b>Group</b>	Display commands
<b>Syntax</b>	DISPlay:OFDM:CONStE:Y:OFFSet <value> DISPlay:OFDM:CONStE:Y:OFFSet?
<b>Arguments</b>	<value> :: <Nrf> specifies the offset range. A positive value moves the offset up; and negative value moves the offset down.
<b>Examples</b>	DISPLAY:OFDM:CONSTE:Y:OFFSET 2 sets the vertical offset to up 2 units.

## DISPlay:OFDM:CONStE[:SCALE]

Sets or queries the scale (zoom) in the OFDM Constellation view.

<b>Conditions</b>	Measurement views: OFDM
<b>Group</b>	Display commands
<b>Syntax</b>	DISPlay:OFDM:CONStE[:SCALE] <value> DISPlay:OFDM:CONStE[:SCALE]?
<b>Arguments</b>	<value> :: <Nrf> specifies the zoom setting in the OFDM Constellation view. A positive value zooms out and a negative value zooms in.
<b>Examples</b>	DISPLAY:OFDM:CONSTE[:SCALE] 5 zooms the display out by 5

## DISPlay:OFDM:CRESpOse:FREQuency:AUTO (No Query Form)

Rescales the horizontal axis automatically to fit the waveform to the screen in the OFDM Channel response graph.

<b>Conditions</b>	Measurement views: OFDM
<b>Group</b>	Display commands
<b>Syntax</b>	DISP <code>l</code> ay:OFDM:CRE <code>S</code> ponse:FRE <code>Q</code> uency:AUTO
<b>Arguments</b>	None
<b>Examples</b>	DISP <code>l</code> ay:OFDM:CRE <code>S</code> ponse:FRE <code>Q</code> uency:AUTO rescales the horizontal scale automatically to fit the waveform to the screen.

## DISP`l`ay:OFDM:CRE`S`ponse:FRE`Q`uency:OFF`S`et

Sets or queries the frequency offset in the OFDM Channel response graph.

<b>Conditions</b>	Measurement views: OFDM
<b>Group</b>	Display commands
<b>Syntax</b>	DISP <code>l</code> ay:OFDM:CRE <code>S</code> ponse:FRE <code>Q</code> uency:OFF <code>S</code> et <value> DISP <code>l</code> ay:OFDM:CRE <code>S</code> ponse:FRE <code>Q</code> uency:OFF <code>S</code> et?
<b>Arguments</b>	<value> :: <NRf> specifies the frequency offset.
<b>Examples</b>	DISP <code>l</code> ay:OFDM:CRE <code>S</code> ponse:FRE <code>Q</code> uency:OFF <code>S</code> et 1.45E+9 sets the frequency offset to 1.45 GHz.

## DISP`l`ay:OFDM:CRE`S`ponse:FRE`Q`uency[:SCA`L`e]

Sets or queries the horizontal range of the OFDM Channel response graph.

<b>Conditions</b>	Measurement views: OFDM
<b>Group</b>	Display commands



**Syntax**    `DISPlay:OFDM:CRESPonse:FREQUency[:SCALE] <value>`  
`DISPlay:OFDM:CRESPonse:FREQUency[:SCALE]?`

**Arguments**    `<value>::= <NRf>` specifies the horizontal range.

**Examples**    `DISPLAY:OFDM:CRESPONSE:FREQUENCY[:SCALE] 10E+6` sets the horizontal range to 10 MHz.

## DISPlay:OFDM:CRESPonse:MAGNitude:AUTO (No Query Form)

Rescales the magnitude automatically to fit the waveform to the screen in the OFDM Channel response graph.

**Conditions**    Measurement views: OFDM

**Group**    Display commands

**Syntax**    `DISPlay:OFDM:CRESPonse:MAGNitude:AUTO`

**Arguments**    None

**Examples**    `DISPLAY:OFDM:CRESPONSE:MAGNITUDE:AUTO` rescales the magnitude scale automatically to fit the waveform to the screen.

## DISPlay:OFDM:CRESPonse:MAGNitude:OFFSet

Sets or queries the magnitude offset in the OFDM Channel response graph.

**Conditions**    Measurement views: OFDM

**Group**    Display commands

**Syntax**    `DISPlay:OFDM:CRESPonse:MAGNitude:OFFSet <value>`  
`DISPlay:OFDM:CRESPonse:MAGNitude:OFFSet?`

**Arguments**    `<value>::= <NRf>` specifies the magnitude offset.

**Examples**     `DISPLAY:OFDM:CRESPONSE:MAGNITUDE:OFFSET 5` sets the magnitude offset to 5 dB.

## **DISPlay:OFDM:CRESpOse:MAGNitude:PDIVision**

Sets or queries the scale (per division) of the magnitude in the OFDM Channel response graph.

**Conditions**     Measurement views: OFDM

**Group**            Display commands

**Syntax**           `DISPly:OFDM:CRESpOse:MAGNitude:PDIVision <value>`  
`DISPly:OFDM:CRESpOse:MAGNitude:PDIVision?`

**Arguments**      <value> :: <NRf> specifies the vertical scale (per division).

**Examples**        `DISPLAY:OFDM:CRESPONSE:MAGNITUDE:PDIVISION 2.7` sets the vertical scale to 2.70 dB/div.

## **DISPlay:OFDM:CRESpOse:PHASe:AUTO (No Query Form)**

Rescales the vertical axis automatically to fit the waveform to the screen in the OFDM Channel response graph.

**Conditions**      Measurement views: OFDM

**Group**            Display commands

**Syntax**           `DISPly:OFDM:CRESpOse:PHASe:AUTO`

**Arguments**      None

**Examples**        `DISPLAY:OFDM:CRESPONSE:PHASE:AUTO` rescales the vertical scale automatically to fit the waveform to the screen.

## DISPlay:OFDM:CRESpOse:PHASe:OFFSet

Sets or queries the phase offset in the OFDM Channel response graph.

**Conditions** Measurement views: OFDM

**Group** Display commands

**Syntax** DISPlay:OFDM:CRESpOse:PHASe:OFFSet <value>  
DISPlay:OFDM:CRESpOse:PHASe:OFFSet?

**Arguments** <value> :: <NRf> specifies the phase offset.

**Examples** DISPLAY:OFDM:CRESPONSE:PHASE:OFFSET -14.5 sets the minimum vertical value to -14.5 ° in the OFDM Channel response graph.

## DISPlay:OFDM:CRESpOse:PHASe[:SCALE]

Sets the vertical scale automatically to fit the waveform to the screen in the OFDM Channel response graph.

**Conditions** Measurement views: OFDM

**Group** Display commands

**Syntax** DISPlay:OFDM:CRESpOse:PHASe[:SCALE] <value>  
DISPlay:OFDM:CRESpOse:PHASe[:SCALE]?

**Arguments** <value> :: <NRf> specifies the vertical range.

**Examples** DISPLAY:OFDM:CRESPONSE:PHASE[:SCALE] 30 sets the vertical range to 30 ° in the OFDM Channel response graph.

## DISPlay:OFDM:CRESpOse:WINDow:SElect:PLOT

Sets or queries the plot in the OFDM Channel Response window measurement.

<b>Conditions</b>	Measurement views: OFDM
<b>Group</b>	Display commands
<b>Syntax</b>	DISP <code>l</code> ay:OFDM:CRESpOse:WINDow:SElect:PLOT { MAGNitude   PHASE } DISP <code>l</code> ay:OFDM:CRESpOse:WINDow:SElect:PLOT?
<b>Arguments</b>	MAGNitude selects the magnitude display. PHASE selects the phase display
<b>Examples</b>	DISP <code>l</code> AY:OFDM:CRESPONSE:WINDOW:SELECT:PLOT PHASE selects the phase display.

## DISP`l`ay:OFDM:CRESpOse:WINDow:TRACe:GRATiCule:GRID:STATe

Determines whether to show or hide the graticule in the OFDM Channel Response view.

<b>Conditions</b>	Measurement views: OFDM
<b>Group</b>	Display commands
<b>Syntax</b>	DISP <code>l</code> ay:OFDM:CRESpOse:WINDow:TRACe:GRATiCule:GRID:STATe { OFF   ON   1   0 } DISP <code>l</code> ay:OFDM:CRESpOse:WINDow:TRACe:GRATiCule:GRID:STATe?
<b>Arguments</b>	OFF or 0 hides the graticule in the graph. ON or 1 shows the graticule in the graph.
<b>Examples</b>	DISP <code>l</code> AY:OFDM:CRESPONSE:WINDOW:TRACE:GRATICULE:GRID:STATE OFF turns off the graticule in the graph.

## DISPlay:OFDM:EVM:FREQuency[:SCALE]

Sets or queries the horizontal range of the OFDM EVM graph.

**Conditions** Measurement views: OFDM

**Group** Display commands

**Syntax** DISPlay:OFDM:EVM:FREQuency[:SCALE] <value>  
DISPlay:OFDM:EVM:FREQuency[:SCALE]?

**Arguments** <value>:= <NRf> specifies the horizontal range.

**Examples** DISPLAY:OFDM:EVM:FREQUENCY[:SCALE] 10E+6 sets the horizontal range to 10 MHz.

## DISPlay:OFDM:EVM:FREQuency:AUTO (No Query Form)

Rescales the frequency automatically to fit the waveform to the screen in the OFDM EVM graph.

**Conditions** Measurement views: OFDM

**Group** Display commands

**Syntax** DISPlay:OFDM:EVM:FREQuency:AUTO

**Arguments** None

**Examples** DISPLAY:OFDM:EVM:FREQUENCY:AUTO rescales the frequency scale automatically to fit the waveform to the screen.

## DISPlay:OFDM:EVM:FREQuency:OFFSet

Sets or queries the frequency offset in the OFDM EVM graph.

**Conditions** Measurement views: OFDM

**Group** Display commands

**Syntax** `DISPlay:OFDM:EVM:FREQUENCY:OFFSet <value>`  
`DISPlay:OFDM:EVM:FREQUENCY:OFFSet`

**Arguments** `<value> :: <NRf>` specifies the frequency offset.

**Examples** `DISPLAY:OFDM:EVM:FREQUENCY:OFFSET -21` sets the frequency offset to -21 subcarriers.

## DISPlay:OFDM:EVM:MARKer:SHOW:STATE

Determines whether to show or hide the readout for the selected marker in the OFDM EVM view.

**Conditions** Measurement views: OFDM

**Group** Display commands

**Syntax** `DISPlay:OFDM:EVM:MARKer:SHOW:STATE { OFF | ON | 1 | 0 }`  
`DISPlay:OFDM:EVM:MARKer:SHOW:STATE?`

**Arguments** OFF or 0 hides the readout for the selected marker in the graph.  
 ON or 1 shows the readout for the selected marker in the graph.

**Examples** `DISPLAY:OFDM:EVM:MARKER:SHOW:STATE ON` shows the readout for the selected marker in the graph.

## DISPlay:OFDM:EVM:TIME[:SCALE]

Sets or queries the time scale in the OFDM EVM view.

**Conditions** Measurement views: OFDM

**Group** Display commands

---

<b>Syntax</b>	DISP <code>l</code> ay:OFDM:EVM:TIME[:SCALE] <value> DISP <code>l</code> ay:OFDM:EVM:TIME[:SCALE]?
<b>Arguments</b>	<value>::= <NRf> specifies the time scale.
<b>Examples</b>	DISP <code>l</code> AY:OFDM:EVM:TIME[:SCALE] 13 sets the time scale to 13 symbols.

## DISP`l`ay:OFDM:EVM:TIME:AUTO (No Query Form)

Rescales the time automatically to fit the waveform to the screen in the OFDM EVM view.

<b>Conditions</b>	Measurement views: OFDM
<b>Group</b>	Display commands
<b>Syntax</b>	DISP <code>l</code> ay:OFDM:EVM:TIME:AUTO
<b>Arguments</b>	None
<b>Examples</b>	DISP <code>l</code> AY:OFDM:EVM:TIME:AUTO rescales the time scale automatically to fit the waveform to the screen.

## DISP`l`ay:OFDM:EVM:TIME:OFFSet

Sets or queries the time offset in the OFDM EVM view.

<b>Conditions</b>	Measurement views: OFDM
<b>Group</b>	Display commands
<b>Syntax</b>	DISP <code>l</code> ay:OFDM:EVM:TIME:OFFSet <value> DISP <code>l</code> ay:OFDM:EVM:TIME:OFFSet?
<b>Arguments</b>	<value>::= <NRf> specifies the magnitude offset.

**Examples**     `DISPLAY:OFDM:EVM:TIME:OFFSET -11.7` sets the time scale offset to -11.7 symbols.

## DISPlay:OFDM:EVM:WINDow:SElect:PLOT

Sets or queries the plot in the OFDM EVM window measurement.

**Conditions**     Measurement views: OFDM

**Group**     Display commands

**Syntax**     `DISPlay:OFDM:EVM:WINDow:SElect:PLOT { BOTH | SCARrier | SYMBols }`  
`DISPlay:OFDM:EVM:WINDow:SElect:PLOT?`

**Arguments**     `SCARrier` selects the subcarrier display.  
`SYMBols` selects the symbols display  
`BOTH` selects both displays.

**Examples**     `DISPLAY:OFDM:EVM:WINDOW:SELECT:PLOT SYMBols` selects the symbols display.

## DISPPlay:OFDM:EVM:WINDow:TRACe:GRATicule:GRID:STATe

Determines whether to show or hide the graticule in the OFDM EVM view.

**Conditions**     Measurement views: OFDM

**Group**     Display commands

**Syntax**     `DISPPlay:OFDM:EVM:WINDow:TRACe:GRATicule:GRID:STATe { OFF | ON | 1 | 0 }`  
`DISPPlay:OFDM:EVM:WINDow:TRACe:GRATicule:GRID:STATe?`

**Arguments**     `OFF` or `0` hides the graticule in the graph.  
`ON` or `1` shows the graticule in the graph.



**Examples** `DISPLAY:OFDM:EVM:WINDOW:TRACE:GRATICULE:GRID:STATE OFF` turns off the graticule in the graph.

## DISPlay:OFDM:EVM:Y[:SCALE]

Sets or queries the vertical range of the OFDM EVM view.

**Conditions** Measurement views: OFDM

**Group** Display commands

**Syntax** `DISPlay:OFDM:EVM:Y[:SCALE] <value>`  
`DISPlay:OFDM:EVM:Y[:SCALE]?`

**Arguments** `<value>::= <NRf>` specifies the vertical scale.

**Examples** `DISPLAY:OFDM:EVM:Y[:SCALE] 200` sets the vertical scale to 200%.

## DISPlay:OFDM:EVM:Y:AUTO (No Query Form)

Rescales the vertical scale automatically to fit the waveform in the OFDM EVM view.

**Conditions** Measurement views: OFDM

**Group** Display commands

**Syntax** `DISPlay:OFDM:EVM:Y:AUTO`

**Arguments** None

**Examples** `DISPLAY:OFDM:EVM:Y:AUTO` rescales the vertical scale to fit the waveform on the screen.

## DISPlay:OFDM:EVM:Y:OFFSet

Sets or queries the vertical offset in the OFDM EVM view.

<b>Conditions</b>	Measurement views: OFDM
<b>Group</b>	Display commands
<b>Syntax</b>	DISPlay:OFDM:EVM:Y:OFFSet <value> DISPlay:OFDM:EVM:Y:OFFSet?
<b>Arguments</b>	<value>::= <NRf> specifies the vertical offset.
<b>Examples</b>	DISPLAY:OFDM:EVM:Y:OFFSET -20 sets the vertical offset to -20%.

## DISPlay:OFDM:MEASview:DELeTe (No Query Form)

Deletes the specified OFDM view.

<b>Conditions</b>	Measurement views: OFDM
<b>Group</b>	Display commands
<b>Syntax</b>	DISPlay:OFDM:MEASview:DELeTe { CONSTe   SUMMary   STABle   CRESpone   EVM   PERRor   MERRor   POWER }
<b>Arguments</b>	CONSTe deletes the OFDM Constellation view. SUMMary deletes the OFDM Summary view. STABle deletes the OFDM Symbol table view. CRESpone deletes the OFDM Channel response view. EVM deletes the EVM (Error Vector Magnitude) versus Time view. PERRor deletes the Phase error versus Time view. MERRor deletes the Magnitude error versus Time view. POWER deletes the OFDM Power view.

If you attempt to delete a view that is not displayed on screen, the error (-200, "Execution error; Measurement not running") will be returned.

**Examples**     `DISPLAY:OFDM:MEASVIEW:DELETE CONSTe` deletes the OFDM Constellation view.

## DISPlay:OFDM:MEASview:NEW (No Query Form)

Displays a new OFDM measurement view.

**Conditions**     Measurement views: OFDM

**Group**     Display commands

**Syntax**     `DISPlay:OFDM:MEASview:NEW { CONSTe | SUMMary | STABle | CRESpone | EVM | PERRor | MERRor | POWER }`

**Arguments**     `CONSTe` creates a new OFDM Constellation view.  
                       `SUMMary` creates a new OFDM Summary view.  
                       `STABle` creates a new OFDM Symbol table view.  
                       `CRESpone` creates a new OFDM Channel response view.  
                       `EVM` creates a new EVM (Error Vector Magnitude) versus Time view.  
                       `PERRor` creates a new Phase error versus Time view.  
                       `MERRor` creates a new Magnitude error versus Time view.  
                       `POWER` creates a new OFDM Power view.

If you attempt to open a view that is currently displayed on screen, the error (-200, "Execution error; Measurement is already running") will be returned.

**Examples**     `DISPLAY:OFDM:MEASVIEW:NEW:CONSTe` creates a new OFDM Constellation view.

## DISPlay:OFDM:MEASview:SElect

Selects a OFDM measurement view on the screen. The query returns the currently selected view.

Selecting a measurement optimizes it. Other measurements may be optimized as a side effect. Refer to the [DISPlay:WINDow:OPTimized:MEASurement?](#) query.

**Conditions** Measurement views: OFDM

**Group** Display commands

**Syntax** DISPlay:OFDM:MEASview:SElect { CONSTe | SUMMary | STABle | CRESpone | EVM | PERRor | MERRor | POWER }  
DISPlay:OFDM:MEASview:SElect?

**Arguments** CONSTe creates a new OFDM Constellation view.

SUMMary creates a new OFDM Summary view.

STABle creates a new OFDM Symbol table view.

CRESpone creates a new OFDM Channel response view.

EVM creates a new EVM (Error Vector Magnitude) versus Time view.

PERRor creates a new Phase error versus Time view.

MERRor creates a new Magnitude error versus Time view.

POWER creates a new OFDM Power view.

If you attempt to open a view that is currently displayed on screen, the error (-200, "Execution error; Measurement is already running") will be returned.

**Examples** DISPlay:OFDM:MEASVIEW:SELECT:STABle selects the OFDM symbol table view.

## DISPlay:OFDM:MERRor:FREQuency[:SCALe]

Sets or queries the horizontal range of the OFDM Magnitude error graph.

**Conditions** Measurement views: OFDM

**Group** Display commands

<b>Syntax</b>	DISP <code>lay</code> :OFDM:MERRor:FREQUency[:SCALE] <value> DISP <code>lay</code> :OFDM:MERRor:FREQUency[:SCALE]?
<b>Arguments</b>	<value> ::= <NRf> specifies the horizontal range.
<b>Examples</b>	DISP <code>lay</code> :OFDM:MERRor:FREQUency[:SCALE] 10E+6 sets the horizontal range to 10 MHz.

## DISP`lay`:OFDM:MERRor:FREQUency[:SCALE]:AUTO (No Query Form)

Rescales the frequency automatically to fit the waveform to the screen in the OFDM Magnitude error graph.

<b>Conditions</b>	Measurement views: OFDM
<b>Group</b>	Display commands
<b>Syntax</b>	DISP <code>lay</code> :OFDM:MERRor:FREQUency[:SCALE]:AUTO
<b>Arguments</b>	None
<b>Examples</b>	DISP <code>lay</code> :OFDM:MERRor:FREQUency[:SCALE]:AUTO rescales the frequency scale automatically to fit the waveform to the screen.

## DISP`lay`:OFDM:MERRor:FREQUency[:SCALE]:OFFSet

Sets or queries the frequency offset in the OFDM Magnitude error graph.

<b>Conditions</b>	Measurement views: OFDM
<b>Group</b>	Display commands
<b>Syntax</b>	DISP <code>lay</code> :OFDM:MERRor:FREQUency[:SCALE]:OFFSet <value> DISP <code>lay</code> :OFDM:MERRor:FREQUency[:SCALE]:OFFSet?
<b>Arguments</b>	<value> :: <NRf> specifies the frequency offset.

**Examples**     `DISPLAY:OFDM:MERROR:FREQUENCY[:SCALE]:OFFSET -26` sets the offset to -26 subcarriers.

## DISPlay:OFDM:MERRor:MARKer:SHOW:STATE

Determines whether to show or hide the readout for the selected marker in the OFDM Magnitude error view.

**Conditions**     Measurement views: OFDM

**Group**            Display commands

**Syntax**           `DISPly:OFDM:MERRor:MARKer:SHOW:STATE { OFF | ON | 1 | 0 }`  
`DISPly:OFDM:MERRor:MARKer:SHOW:STATE?`

**Arguments**       OFF or 0 hides the readout for the selected marker in the graph.  
                       ON or 1 shows the readout for the selected marker in the graph.

**Examples**        `DISPLAY:OFDM:MERROR:MARKER:SHOW:STATE ON` shows the readout for the selected marker in the graph.

## DISPlay:OFDM:MERRor:TIME[:SCALE]

Sets or queries the time scale in the OFDM Magnitude error view.

**Conditions**       Measurement views: OFDM

**Group**            Display commands

**Syntax**           `DISPly:OFDM:MERRor:TIME[:SCALE] <value>`  
`DISPly:OFDM:MERRor:TIME[:SCALE]?`

**Arguments**       <value> ::= <NRf> specifies the time scale.

**Examples**        `DISPLAY:OFDM:MERROR:TIME[:SCALE] 50` sets the time scale to 50 subcarriers.

## DISPlay:OFDM:MERRor:TIME[:SCALe]:AUTO (No Query Form)

Rescales the time automatically to fit the waveform to the screen in the OFDM Magnitude error view.

**Conditions** Measurement views: OFDM

**Group** Display commands

**Syntax** DISPlay:OFDM:MERRor:TIME[:SCALe]:AUTO

**Arguments** None

**Examples** DISPLAY:OFDM:MERROR:TIME[:SCALE]:AUTO rescales the time scale automatically to fit the waveform to the screen.

## DISPlay:OFDM:MERRor:TIME[:SCALe]:OFFSet

Sets or queries the time offset in the OFDM Magnitude error view.

**Conditions** Measurement views: OFDM

**Group** Display commands

**Syntax** DISPlay:OFDM:MERRor:TIME[:SCALe]:OFFSet <value>  
DISPlay:OFDM:MERRor:TIME[:SCALe]:OFFSet?

**Arguments** <value> ::= <NRf> specifies the time offset.

**Examples** DISPLAY:OFDM:MERROR:TIME[:SCALE]:OFFSET -47 sets the offset to -47 symbols.

## DISPlay:OFDM:MERRor:WINDow:SElect:PLOT

Sets or queries the plot in the OFDM Magnitude error window measurement.

**Conditions** Measurement views: OFDM

<b>Group</b>	Display commands
<b>Syntax</b>	DISP <code>l</code> ay:OFDM:MERRor:WINDow:SELEct:PLOT { BOTH   SCARrier   SYMBols } DISP <code>l</code> ay:OFDM:MERRor:WINDow:SELEct:PLOT?
<b>Arguments</b>	SCARrier selects the subcarrier display. SYMBols selects the symbols display BOTH selects both displays.
<b>Examples</b>	DISP <code>l</code> ay:OFDM:MERRor:WINDow:SELEct:PLOT SYMBols selects the symbols display.

## DISP`l`ay:OFDM:MERRor:WINDow:TRACe:GRATICule:GRID:STATe

Determines whether to show or hide the graticule in the OFDM Magnitude error view.

<b>Conditions</b>	Measurement views: OFDM
<b>Group</b>	Display commands
<b>Syntax</b>	DISP <code>l</code> ay:OFDM:MERRor:WINDow:TRACe:GRATICule:GRID:STATe { OFF   ON   1   0 } DISP <code>l</code> ay:OFDM:MERRor:WINDow:TRACe:GRATICule:GRID:STATe?
<b>Arguments</b>	OFF or 0 hides the graticule in the graph. ON or 1 shows the graticule in the graph.
<b>Examples</b>	DISP <code>l</code> ay:OFDM:MERRor:WINDow:TRACe:GRATICule:GRID:STATe OFF turns off the graticule in the graph.

## DISP`l`ay:OFDM:MERRor:Y[:SCALe]

Sets or queries the vertical range of the OFDM Magnitude error view.

<b>Conditions</b>	Measurement views: OFDM
-------------------	-------------------------



<b>Group</b>	Display commands
<b>Syntax</b>	DISP <code>l</code> ay:OFDM:MERRor:Y[:SCALE] <value> DISP <code>l</code> ay:OFDM:MERRor:Y[:SCALE]?
<b>Arguments</b>	<value>::= <NRf> specifies the vertical scale.
<b>Examples</b>	DISP <code>l</code> AY:OFDM:MERRor:Y[:SCALE] 100 sets the vertical scale to 100%.

## DISP`l`ay:OFDM:MERRor:Y:AUTO (No Query Form)

Rescales the vertical scale automatically to fit the waveform in the OFDM Magnitude error view.

<b>Conditions</b>	Measurement views: OFDM
<b>Group</b>	Display commands
<b>Syntax</b>	DISP <code>l</code> ay:OFDM:MERRor:Y:AUTO
<b>Arguments</b>	None
<b>Examples</b>	DISP <code>l</code> AY:OFDM:MERRor:Y:AUTO rescales the vertical scale to fit the waveform on the screen.

## DISP`l`ay:OFDM:MERRor:Y:OFFSet

Sets or queries the vertical offset in the OFDM Magnitude error view.

<b>Conditions</b>	Measurement views: OFDM
<b>Group</b>	Display commands
<b>Syntax</b>	DISP <code>l</code> ay:OFDM:MERRor:Y:OFFSet <value> DISP <code>l</code> ay:OFDM:MERRor:Y:OFFSet?

**Arguments** <value>::= <NRf> specifies the vertical offset.

**Examples** DISPLAY:OFDM:MERROR:Y:OFFSET -90 sets the vertical scale offset to -90%.

## DISPlay:OFDM:PERRor:FREQuency[:SCALe]

Sets or queries the horizontal range of the OFDM Phase error graph.

**Conditions** Measurement views: OFDM

**Group** Display commands

**Syntax** DISPlay:OFDM:PERRor:FREQuency[:SCALe] <value>  
DISPlay:OFDM:PERRor:FREQuency[:SCALe]?

**Arguments** <value>::= <NRf> specifies the horizontal range.

**Examples** DISPLAY:OFDM:PERRor:FREQuency[:SCALe] 10E+6 sets the horizontal range to 10 MHz.

## DISPlay:OFDM:PERRor:FREQuency[:SCALe]:AUTO (No Query Form)

Rescales the frequency automatically to fit the waveform to the screen in the OFDM Phase error graph.

**Conditions** Measurement views: OFDM

**Group** Display commands

**Syntax** DISPlay:OFDM:PERRor:FREQuency[:SCALe]:AUTO

**Arguments** None

**Examples** DISPLAY:OFDM:PERRor:FREQuency[:SCALe]:AUTO rescales the frequency scale automatically to fit the waveform to the screen.

## DISPlay:OFDM:PERRor:FREQuency[:SCALe]:OFFSet

Sets or queries the frequency offset in the OFDM Phase error view.

<b>Conditions</b>	Measurement views: OFDM
<b>Group</b>	Display commands
<b>Syntax</b>	DISP <code>lay:OFDM:PERRor:FREQuency[:SCALe]:OFFSet</code> <value> DISP <code>lay:OFDM:PERRor:FREQuency[:SCALe]:OFFSet?</code>
<b>Arguments</b>	<value> ::= <NRf> specifies the frequency offset.
<b>Examples</b>	DISP <code>lay:OFDM:PERRor:FREQuency[:SCALe]:OFFSet</code> -26 sets the frequency scale offset to -26 subcarriers.

## DISPlay:OFDM:PERRor:MARKer:SHOW:STATe

Determines whether to show or hide the readout for the selected marker in the OFDM Phase error view.

<b>Conditions</b>	Measurement views: OFDM
<b>Group</b>	Display commands
<b>Syntax</b>	DISP <code>lay:OFDM:PERRor:MARKer:SHOW:STATe</code> { OFF   ON   1   0 } DISP <code>lay:OFDM:PERRor:MARKer:SHOW:STATe?</code>
<b>Arguments</b>	OFF or 0 hides the readout for the selected marker in the graph. ON or 1 shows the readout for the selected marker in the graph.
<b>Examples</b>	DISP <code>lay:OFDM:PERRor:MARKer:SHOW:STATe</code> ON shows the readout for the selected marker in the graph.

## DISPlay:OFDM:PERRor:TIME[:SCALE]

Sets or queries the time scale in the OFDM Phase error view.

**Conditions** Measurement views: OFDM

**Group** Display commands

**Syntax** DISPlay:OFDM:PERRor:TIME[:SCALE] <value>  
DISPlay:OFDM:PERRor:TIME[:SCALE]?

**Arguments** <value>::= <NRf> specifies the time scale.

**Examples** DISPLAY:OFDM:PERROR:TIME[:SCALE] 50 sets the time scale to 50 symbols.

## DISPlay:OFDM:PERRor:TIME[:SCALE]:AUTO (No Query Form)

Rescales the time automatically to fit the waveform to the screen in the OFDM Phase error view.

**Conditions** Measurement views: OFDM

**Group** Display commands

**Syntax** DISPlay:OFDM:PERRor:TIME[:SCALE]:AUTO

**Arguments** None

**Examples** DISPLAY:OFDM:PERROR:TIME[:SCALE]:AUTO rescales the time scale automatically to fit the waveform to the screen.

## DISPlay:OFDM:PERRor:TIME[:SCALE]:OFFSet

Sets or queries the time offset in the OFDM Phase error view.

**Conditions** Measurement views: OFDM

<b>Group</b>	Display commands
<b>Syntax</b>	DISP <code>l</code> ay:OFDM:PERRor:TIME[:SCALE]:OFFSet <value> DISP <code>l</code> ay:OFDM:PERRor:TIME[:SCALE]:OFFSet?
<b>Arguments</b>	<value> ::= <NRf> specifies the time offset.
<b>Examples</b>	DISP <code>l</code> ay:OFDM:PERRor:TIME[:SCALE]:OFFSet -17 sets the time scale offset to -17 symbols.

## DISP`l`ay:OFDM:PERRor:WINDow:SElect:PLOT

Sets or queries the plot in the OFDM Phase error window measurement.

<b>Conditions</b>	Measurement views: OFDM
<b>Group</b>	Display commands
<b>Syntax</b>	DISP <code>l</code> ay:OFDM:PERRor:WINDow:SElect:PLOT { BOTH   SCARrier   SYMBols } DISP <code>l</code> ay:OFDM:PERRor:WINDow:SElect:PLOT?
<b>Arguments</b>	SCARrier selects the subcarrier display. SYMBols selects the symbols display BOTH selects both displays.
<b>Examples</b>	DISP <code>l</code> ay:OFDM:PERRor:WINDow:SElect:PLOT SYMBols selects the symbols display.

## DISP`l`ay:OFDM:PERRor:WINDow:TRACe:GRATicule:GRID:STATe

Determines whether to show or hide the graticule in the OFDM Phase error view.

<b>Conditions</b>	Measurement views: OFDM
<b>Group</b>	Display commands

**Syntax**     `DISPlay:OFDM:PERRor:WINDow:TRACe:GRATicule:GRID:STATE { OFF  
                  | ON | 1 | 0 }`  
                   `DISPlay:OFDM:PERRor:WINDow:TRACe:GRATicule:GRID:STATE?`

**Arguments**    OFF or 0 hides the graticule in the graph.  
                   ON or 1 shows the graticule in the graph.

**Examples**     `DISPLAY:OFDM:PERROR:WINDOW:TRACE:GRATICULE:GRID:STATE OFF` turns  
                   off the graticule in the graph.

## DISP`lay:OFDM:PERRor:Y[:SCALE]`

Sets or queries the vertical range of the OFDM Phase error view.

**Conditions**    Measurement views: OFDM

**Group**        Display commands

**Syntax**       `DISPlay:OFDM:PERRor:Y[:SCALE] <value>`  
                   `DISPlay:OFDM:PERRor:Y[:SCALE]?`

**Arguments**    `<value>::= <NRf>` specifies the vertical scale.

**Examples**     `DISPLAY:OFDM:PERROR:Y[:SCALE] 200` sets the vertical scale to 200 °.

## DISP`lay:OFDM:PERRor:Y:AUTO (No Query Form)`

Rescales the vertical scale automatically to fit the waveform in the OFDM Phase error view.

**Conditions**    Measurement views: OFDM

**Group**        Display commands

**Syntax**       `DISPlay:OFDM:PERRor:Y:AUTO`

<b>Arguments</b>	None
<b>Examples</b>	DISPLAY:OFDM:PERROR:Y:AUTO rescales the vertical scale to fit the waveform on the screen.

## DISPlay:OFDM:PERRor:Y:OFFSet

Sets or queries the vertical offset in the OFDM Phase error view.

<b>Conditions</b>	Measurement views: OFDM
<b>Group</b>	Display commands
<b>Syntax</b>	DISP <code>l</code> ay:OFDM:PERRor:Y:OFFSet <value> DISP <code>l</code> ay:OFDM:PERRor:Y:OFFSet?
<b>Arguments</b>	<value>::= <NRf> specifies the horizontal range.
<b>Examples</b>	DISPLAY:OFDM:PERROR:Y:OFFSET -173 sets the vertical offset to -173 °.

## DISPlay:OFDM:POWer:FREQUency[:AUTO] (No Query Form)

Rescales the frequency automatically to fit the waveform to the screen in the OFDM Power graph.

<b>Conditions</b>	Measurement views: OFDM
<b>Group</b>	Display commands
<b>Syntax</b>	DISP <code>l</code> ay:OFDM:POWer:FREQUency[:AUTO]
<b>Arguments</b>	None
<b>Examples</b>	DISPLAY:OFDM:POWER:FREQUENCY[:AUTO] rescales the frequency scale automatically to fit the waveform to the screen.

## DISPlay:OFDM:POWer:FREQUency[:OFFSet]

Sets or queries the frequency offset in the OFDM Power view.

**Conditions** Measurement views: OFDM

**Group** Display commands

**Syntax** DISPlay:OFDM:POWER:FREQUENCY[:OFFSet] <value>  
DISPlay:OFDM:POWER:FREQUENCY[:OFFSet]?

**Arguments** <value>::= <NRf> specifies the frequency offset.

**Examples** DISPLAY:OFDM:POWER:FREQUENCY[:OFFSET] -26 sets the frequency offset to -26 subcarriers.

## DISPlay:OFDM:POWer:FREQUency[:SCALE]

Sets or queries the horizontal range of the OFDM Power graph.

**Conditions** Measurement views: OFDM

**Group** Display commands

**Syntax** DISPlay:OFDM:POWER:FREQUENCY[:SCALE] <value>  
DISPlay:OFDM:POWER:FREQUENCY[:SCALE]?

**Arguments** <value>::= <NRf> specifies the horizontal range.

**Examples** DISPLAY:OFDM:POWER:FREQUENCY[:SCALE] 10E+6 sets the horizontal range to 10 MHz.

## DISPlay:OFDM:POWer:MARKer:SHOW:STATe

Determines whether to show or hide the readout for the selected marker in the OFDM Power view.



---

<b>Conditions</b>	Measurement views: OFDM
<b>Group</b>	Display commands
<b>Syntax</b>	<code>DISPlay:OFDM:POWer:MARKer:SHOW:STATE { OFF   ON   1   0 }</code>
<b>Arguments</b>	OFF or 0 hides the readout for the selected marker in the graph. ON or 1 shows the readout for the selected marker in the graph.
<b>Examples</b>	<code>DISPLAY:OFDM:POWer:MARKer:SHOW:STATE ON</code> shows the readout for the selected marker in the graph.

## **DISP<sub>L</sub>ay:OFDM:POWer:TIME[:AUTO (No Query Form)**

Rescales the time automatically to fit the waveform to the screen in the OFDM Power view.

<b>Conditions</b>	Measurement views: OFDM
<b>Group</b>	Display commands
<b>Syntax</b>	<code>DISP<sub>L</sub>ay:OFDM:POWer:TIME[:AUTO</code>
<b>Arguments</b>	None
<b>Examples</b>	<code>DISPLAY:OFDM:POWer:TIME[:AUTO</code> rescales the time scale automatically to fit the waveform to the screen.

## **DISP<sub>L</sub>ay:OFDM:POWer:TIME:OFFSet**

Sets or queries the time offset in the OFDM Power view.

<b>Conditions</b>	Measurement views: OFDM
<b>Group</b>	Display commands

**Syntax**     `DISPlay:OFDM:POWer:TIME:OFFSet <value>`  
`DISPlay:OFDM:POWer:TIME:OFFSet?`

**Arguments**     `<value>::= <NR1>` specifies the time offset.

**Examples**     `DISPlay:OFDM:POWer:TIME:OFFSet?` might return `2.00000` indicating the offset is 2 symbols.

## DISPlay:OFDM:POWer:TIME[:SCALE]

Sets or queries the time scale in the OFDM Phase error view.

**Conditions**     Measurement views: OFDM

**Group**     Display commands

**Syntax**     `DISPlay:OFDM:POWer:TIME[:SCALE] <value>`  
`DISPlay:OFDM:POWer:TIME[:SCALE]?`

**Arguments**     `<value>::= <NRf>` specifies the time scale.

**Examples**     `DISPlay:OFDM:POWer:TIME[:SCALE] 46` sets the time scale to 46 symbols.

## DISPlay:OFDM:POWer:WINDow:SElect:PLOT

Sets or queries the plot in the OFDM Power window measurement.

**Conditions**     Measurement views: OFDM

**Group**     Display commands

**Syntax**     `DISPlay:OFDM:POWer:WINDow:SElect:PLOT { BOTH | SCARrier |`  
`SYMBOLs }`  
`DISPlay:OFDM:POWer:WINDow:SElect:PLOT?`

**Arguments**     `SCARrier` selects the subcarrier display.

`SYMBOLs` selects the symbols display

BOTH selects both displays.

**Examples** `DISPLAY:OFDM:POWER:WINDOW:SELECT:PLOT SYMBOLS` selects the symbols display.

## DISPlay:OFDM:POWer:WINDow:TRACe:GRATICule:GRID:STATe

Determines whether to show or hide the graticule in the OFDM Power view.

**Conditions** Measurement views: OFDM

**Group** Display commands

**Syntax** `DISP lay:OFDM:POWer:WINDow:TRACe:GRATICule:GRID:STATe { OFF  
| ON | 1 | 0 }`  
`DISP lay:OFDM:POWer:WINDow:TRACe:GRATICule:GRID:STATe?`

**Arguments** OFF or 0 hides the graticule in the graph.  
ON or 1 shows the graticule in the graph.

**Examples** `DISPLAY:OFDM:POWER:WINDOW:TRACE:GRATICULE:GRID:STATE OFF` turns off the graticule in the graph.

## DISPlay:OFDM:POWer:Y:AUTO (No Query Form)

Rescales the vertical scale automatically to fit the waveform in the OFDM Power view.

**Conditions** Measurement views: OFDM

**Group** Display commands

**Syntax** `DISP lay:OFDM:POWer:Y:AUTO`

**Arguments** None

**Examples**     `DISPLAY:OFDM:POWER:Y:AUTO` rescales the vertical scale to fit the waveform on the screen.

## DISPlay:OFDM:POWer:Y:OFFSet

Sets or queries the vertical offset in the OFDM Power view.

**Conditions**     Measurement views: OFDM

**Group**     Display commands

**Syntax**     `DISPlay:OFDM:POWER:Y:OFFSet <value>`  
`DISPlay:OFDM:POWER:Y:OFFSet?`

**Arguments**     `<value>::= <NRf>` specifies the horizontal range.

**Examples**     `DISPLAY:OFDM:POWER:Y:OFFSET -37.29` sets the vertical offset to -37.29 dBm.

## DISPlay:OFDM:POWer:Y[:SCALe]

Sets or queries the vertical range of the OFDM Power view.

**Conditions**     Measurement views: OFDM

**Group**     Display commands

**Syntax**     `DISPlay:OFDM:POWER:Y[:SCALe] <value>`  
`DISPlay:OFDM:POWER:Y[:SCALe]?`

**Arguments**     `<value>::= <NRf>` specifies the vertical scale.

**Examples**     `DISPLAY:OFDM:POWER:Y[:SCALE] 64.48` sets the vertical scale to 64.48 dB.

## DISPlay:PERRor:WINDow:TRACe:GRATICule:GRID:STATe

Sets or queries the graticule grid view state for the Phase error versus Time view.

<b>Conditions</b>	Measurement views: Magnitude error versus Time
<b>Group</b>	Display commands
<b>Syntax</b>	DISP <code>lay:PERRor:WINDow:TRACe:GRATICule:GRID:STATe</code> { OFF   ON   0   1 } DISP <code>lay:PERRor:WINDow:TRACe:GRATICule:GRID:STATe?</code>
<b>Arguments</b>	OFF or 0 hides the graticule grid. ON or 1 shows the graticule grid.
<b>Examples</b>	DISP <code>lay:PERRor:WINDow:TRACe:GRATICule:GRID:STATe ON</code> shows the graticule grid on the Phase error versus Time view.

## DISP`lay:PERRor:Y[:SCALE]`

Sets or queries the vertical range of the Phase error versus Time graph.

<b>Conditions</b>	Measurement views: Phase error versus Time
<b>Group</b>	Display commands
<b>Syntax</b>	DISP <code>lay:PERRor:Y[:SCALE]</code> <value> DISP <code>lay:PERRor:Y[:SCALE]?</code>
<b>Related Commands</b>	<a href="#">DISP<code>lay:PERRor:Y[:SCALE]:OFFSet</code></a>
<b>Arguments</b>	<value> :: <NRf> specifies the vertical range. Range: 1 to 360°.
<b>Examples</b>	DISP <code>lay:PERRor:Y:SCALE 30</code> sets the vertical range to 30 ° in the Phase error versus Time graph.

## DISPlay:PERRor:Y[:SCALe]:AUTO (No Query Form)

Sets the vertical scale automatically to fit the waveform to the screen in the Phase error versus Time view.

**Conditions** Measurement views: Phase error versus Time

**Group** Display commands

**Syntax** DISPlay:PERRor:Y[:SCALe]:AUTO

**Arguments** None

**Examples** DISPLAY:PERROR:Y:SCALE:AUTO sets the vertical scale automatically to fit the waveform to the screen.

## DISPlay:PERRor:Y[:SCALe]:OFFSet

Sets or queries the minimum vertical value (bottom edge) of the Phase error versus Time graph.

**Conditions** Measurement views: Phase error versus Time

**Group** Display commands

**Syntax** DISPlay:PERRor:Y[:SCALe]:OFFSet <value>  
DISPlay:PERRor:Y[:SCALe]:OFFSet?

**Related Commands** [DISPlay:PERRor:Y\[:SCALe\]](#)

**Arguments** <value> :: <NRF> specifies the minimum vertical value. Range: -360 to +360°.

**Examples** DISPLAY:PERROR:Y:SCALE:OFFSET -14.5 sets the minimum vertical value to -14.5 ° in the Phase Error versus Time graph.

## DISPlay:PHVTime:WINDow:TRACe:GRATICule:GRID:STATe

Determines whether to show or hide the graticule grid on the screen.

<b>Conditions</b>	Measurement views: Phase versus Time
<b>Group</b>	Display commands
<b>Syntax</b>	DISPlay:PHVTime:WINDow:TRACe:GRATICule:GRID:STATe { OFF   ON   0   1 } DISPlay:PHVTime:WINDow:TRACe:GRATICule:GRID:STATe?
<b>Arguments</b>	OFF or 0 hides the graticule grid. ON or 1 shows the graticule grid.
<b>Examples</b>	DISPLAY:PHVTIME:WINDOW:TRACE:GRATICULE:GRID:STATE ON shows the graticule grid on the Frequency versus Time view.

## DISPlay:PHVTime:X[:SCALE]

Sets or queries the horizontal scale (full-scale time) of the Phase versus Time graph. Programming a specified scale sets DISPlay:PHVTime:X[:SCALE] AUTO:STATe OFF.

<b>Conditions</b>	Measurement views: Phase versus Time
<b>Group</b>	Display commands
<b>Syntax</b>	DISPlay:PHVTime:X[:SCALE] <value> DISPlay:PHVTime:X[:SCALE]?
<b>Related Commands</b>	<a href="#">DISPlay:PHVTime:X[:SCALE]:AUTO:STATe</a> , <a href="#">DISPlay:PHVTime:X[:SCALE]:OFFSet</a>
<b>Arguments</b>	<value>::={ <NRf>   MAXimum   MINimum } specifies the horizontal scale in full-scale time. MAXimum and MINimum represent the upper and lower limits of the setting range, respectively.

Use the [DISPlay:PHVTime:X\[:SCALE\]:MAXimum?](#) and [DISPlay:PHVTime:X\[:SCALE\]:OFFSet:MINimum?](#) queries to get the upper and lower limit values of the setting range.

**Examples**     `DISPlay:PHVTime:X:SCALE 1.5ms` sets the horizontal scale to 1.5 ms.

## DISPlay:PHVTime:X[:SCALE]:AUTO (No Query Form)

Sets the horizontal scale automatically to fit the waveform to the screen in the Phase versus Time view. Executing this command sets `DISPlay:PHVTime:X[:SCALE]:AUTO:STATe ON`.

**Conditions**     Measurement views: Phase versus Time

**Group**            Display commands

**Syntax**           `DISPlay:PHVTime:X[:SCALE]:AUTO`

**Related Commands**     [DISPlay:PHVTime:X\[:SCALE\]:AUTO:STATe](#)

**Arguments**        None

**Examples**         `DISPlay:PHVTime:X:SCALE:AUTO` sets the horizontal scale automatically to fit the waveform to the screen.

## DISPlay:PHVTime:X[:SCALE]:AUTO:STATe

Determines whether to set the horizontal scale automatically or manually.

**Conditions**        Measurement views: Phase versus Time

**Group**            Display commands

**Syntax**           `DISPlay:PHVTime:X[:SCALE]:AUTO:STATe { OFF | ON | 0 | 1 }`  
`DISPlay:PHVTime:X[:SCALE]:AUTO:STATe?`



<b>Arguments</b>	OFF or 0 specifies that the horizontal scale is set manually. To set it, use the <a href="#">DISPlay:PHVTime:X[:SCALE]</a> and <a href="#">DISPlay:PHVTime:X[:SCALE]:OFFSet</a> commands.  ON or 1 specifies that the horizontal scale is set automatically.
<b>Examples</b>	<code>DISPlay:PHVTime:X:SCALE:AUTO:STATE ON</code> specifies that the horizontal scale is set automatically.

## DISPlay:PHVTime:X[:SCALE]:MAXimum? (Query Only)

Queries the upper limit of the horizontal scale setting range.

<b>Conditions</b>	Measurement views: Phase versus Time
<b>Group</b>	Display commands
<b>Syntax</b>	<code>DISPlay:PHVTime:X[:SCALE]:MAXimum?</code>
<b>Related Commands</b>	<a href="#">DISPlay:PHVTime:X[:SCALE]</a>
<b>Arguments</b>	None
<b>Returns</b>	<NRf> The upper limit of the horizontal scale setting range.
<b>Examples</b>	<code>DISPlay:PHVTime:X:SCALE:MAXIMUM?</code> might return <code>18.135E-3</code> , indicating that the upper limit of the horizontal scale setting range is 18.135 ms.

## DISPlay:PHVTime:X[:SCALE]:MINimum? (Query Only)

Queries the lower limit of the horizontal scale setting range.

<b>Conditions</b>	Measurement views: Phase versus Time
<b>Group</b>	Display commands
<b>Syntax</b>	<code>DISPlay:PHVTime:X[:SCALE]:MINimum?</code>

<b>Related Commands</b>	<a href="#">DISPlay:PHVTime:X[:SCALE]</a>
<b>Arguments</b>	None
<b>Returns</b>	<NRF> The lower limit of the horizontal scale setting range.
<b>Examples</b>	DISPLAY:PHVTIME:X:SCALE:MINIMUM? might return 10.0E-9, indicating that the lower limit of the horizontal scale setting range is 10.0 ns.

## DISPlay:PHVTime:X[:SCALE]:OFFSet

Sets or queries the minimum horizontal value (left edge) of the Phase versus Time graph. Programming a specified offset sets DISPlay:PHVTime:X[SCALE]:AUTO:STATE OFF.

<b>Conditions</b>	Measurement views: Phase versus Time
<b>Group</b>	Display commands
<b>Syntax</b>	DISPlay:PHVTime:X[:SCALE]:OFFSet DISPlay:PHVTime:X[:SCALE]:OFFSet?
<b>Related Commands</b>	<a href="#">DISPlay:PHVTime:X[:SCALE]:AUTO:STATE</a> , <a href="#">DISPlay:PHVTime:X[:SCALE]</a> ,
<b>Arguments</b>	<p>&lt;value&gt;::={ &lt;NRF&gt;   MAXimum   MINimum } specifies the horizontal offset. MAXimum and MINimum represent the upper and lower limits of the setting range, respectively.</p> <p>Use the <a href="#">DISPlay:PHVTime:X[:SCALE]:OFFSet:MAXimum?</a> and <a href="#">DISPlay:PHVTime:X[:SCALE]:OFFSet:MINimum?</a> queries to get the upper and lower limit values of the setting range.</p>
<b>Examples</b>	DISPLAY:PHVTIME:X:SCALE:OFFSET 800ns sets the minimum horizontal value to 800 ns in the Phase versus Time graph.

## DISPlay:PHVTime:X[:SCALE]:OFFSet:MAXimum? (Query Only)

Queries the upper limit of the horizontal offset setting range.

**Conditions** Measurement views: Phase versus Time

**Group** Display commands

**Syntax** DISPlay:PHVTime:X[:SCALE]:OFFSet:MAXimum?

**Related Commands** [DISPlay:PHVTime:X\[:SCALE\]:OFFSet](#)

**Arguments** None

**Returns** <NRf> The upper limit of the horizontal offset setting range.

**Examples** DISPLAY:PHVTIME:X:SCALE:OFFSET:MAXIMUM? might return  $-1.812E-3$ , indicating that the upper limit of the horizontal offset setting range is -1.812 ms.

## DISPlay:PHVTime:X[:SCALE]:OFFSet:MINimum? (Query Only)

Queries the lower limit of the horizontal offset setting range.

**Conditions** Measurement views: Phase versus Time

**Group** Display commands

**Syntax** DISPlay:PHVTime:X[:SCALE]:OFFSet:MINimum?

**Related Commands** [DISPlay:PHVTime:X\[:SCALE\]:OFFSet](#)

**Arguments** None

**Returns** <NRf> The lower limit of the horizontal offset setting range.

**Examples**     `DISPLAY:PHVTIME:X:SCALE:OFFSET:MINIMUM?` might return `-16.28E-3`, indicating that the lower limit of the horizontal offset setting range is -16.28 ms.

## DISPlay:PHVTime:Y[:SCALE]

Sets or queries the vertical range of the Phase versus Time graph.

**Conditions**     Measurement views: Phase versus Time

**Group**            Display commands

**Syntax**           `DISPlay:PHVTime:Y[:SCALE] <value>`  
`DISPlay:PHVTime:Y[:SCALE]?`

**Related Commands**     [DISPlay:PHVTime:Y\[:SCALE\]:OFFSet](#)

**Arguments**       `<value> :: <Nrf>` specifies the vertical range. Range: 1 to 1T °.

**Examples**        `DISPLAY:PHVTIME:Y:SCALE 180` sets the vertical range to 180 ° in the Phase versus Time graph.

## DISPlay:PHVTime:Y[:SCALE]:AUTO (No Query Form)

Sets the vertical scale automatically to fit the waveform to the screen in the Phase versus Time view.

**Conditions**        Measurement views: Phase versus Time

**Group**            Display commands

**Syntax**           `DISPlay:PHVTime:Y[:SCALE]:AUTO`

**Arguments**        None

**Examples**        `DISPLAY:PHVTIME:Y:SCALE:AUTO` sets the vertical scale automatically to fit the waveform to the screen.

## DISPlay:PHVTime:Y[:SCALE]:AXIS

Sets or queries the vertical axis representation.

<b>Conditions</b>	Measurement views: Phase versus Time
<b>Group</b>	Display commands
<b>Syntax</b>	DISPlay:PHVTime:Y[:SCALE]:AXIS { MODulo $\pi$   CONTinuous } DISPlay:PHVTime:Y[:SCALE]:AXIS?
<b>Arguments</b>	MODulo $\pi$ (modulo $\pi$ ) shows the phase constrained within $\pm 180^\circ$ along the vertical axis.  CONTinuous shows the phase as continuous quantity along the vertical axis.
<b>Examples</b>	DISPlay:PHVTime:Y:SCALE:AXIS MODulo $\pi$ selects modulo $\pi$ representation for the vertical axis.

## DISPlay:PHVTime:Y[:SCALE]:AXIS:REFerence

Sets or queries which time point in the analysis period to use as the zero-phase-value reference.

<b>Conditions</b>	Measurement views: Phase versus Time
<b>Group</b>	Display commands
<b>Syntax</b>	DISPlay:PHVTime:Y[:SCALE]:AXIS:REFerence <value> DISPlay:PHVTime:Y[:SCALE]:AXIS:REFerence?
<b>Arguments</b>	<value> :: <NRF> specifies the phase reference time.
<b>Examples</b>	DISPlay:PHVTime:Y:SCALE:AXIS:REFERENCE 1.5us sets the phase reference time to 1.5 $\mu$ s.

## DISPlay:PHVTime:Y[:SCALe]:OFFSet

Sets or queries the vertical offset (the value at the center of the vertical axis) in the Phase versus Time graph.

**Conditions** Measurement views: Phase versus Time

**Group** Display commands

**Syntax** DISPlay:PHVTime:Y[:SCALe]:OFFSet <value>  
DISPlay:PHVTime:Y[:SCALe]:OFFSet?

**Related Commands** [DISPlay:PHVTime:Y\[:SCALe\]](#)

**Arguments** <value> :: <NRF> specifies the vertical offset. Range:  $-0.5T$  to  $+0.5T^\circ$ .

**Examples** DISPLAY:PHVTIME:Y:SCALE:OFFSET -158.5 sets the vertical offset to  $-158.5^\circ$  in the Phase versus Time graph.

## DISPlay:PHVTime:Y[:SCALe]:RESCale (No Query Form)

Rescales the vertical axis automatically to fit the Phase versus Time waveform to the screen.

**Conditions** Measurement views: Phase versus Time

**Group** Display commands

**Syntax** DISPlay:PHVTime:Y[:SCALe]:RESCale

**Arguments** None

**Examples** DISPLAY:PHVTIME:Y:SCALE:RESCALE rescales the vertical axis automatically to fit the Phase versus Time waveform to the screen.

## DISPlay:PNOise:LEGend:STATe

Determines whether to show or hide the trace legend on the display. The legend indicates the trace detection and function on the screen for each displayed trace.

**Conditions** Measurement views: Phase versus Time

**Group** Display commands

**Syntax** DISPlay:PNOise:LEGend:STATe { OFF | ON | 0 | 1 }  
DISPlay:PNOise:LEGend:STATe?

**Arguments** OFF or 0 hides the trace legend.  
ON or 1 shows the trace legend.

**Examples** DISPLAY:PNOISE:LEGEND:STATE ON shows the trace legend on the screen.

## DISPlay:PNOise:MARKer:SHOW:STATe

Determines whether to show or hide the readout for the selected marker in the phase noise view.

**Conditions** Measurement views: Phase noise

**Group** Display commands

**Syntax** DISPlay:PNOise:MARKer:SHOW:STATe { OFF | ON | 0 | 1 }  
DISPlay:PNOise:MARKer:SHOW:STATe?

**Arguments** OFF or 0 hides the readout for the selected marker in the graph.  
ON or 1 shows the readout for the selected marker in the graph.

**Examples** DISPLAY:PNOISE:MARKER:SHOW:STATE ON shows the readout for the selected marker in the graph.

## DISPlay:PNOise:RESet:SCALe (No Query Form)

Resets the horizontal and vertical scale to the default values described below in the phase noise view.

Vertical offset = -50 dBc/Hz,  
Vertical scale = 100 dB,  
Horizontal start = 10 Hz, and  
Horizontal stop = 1 GHz

**Conditions** Measurement views: Phase noise

**Group** Display commands

**Syntax** DISPlay:PNOise:RESet:SCALe

**Arguments** None

**Examples** DISPLAY:PNOISE:RESET:SCALE resets the horizontal and vertical scale to the default values.

## DISPlay:PNOise:WINDow:TRACe:GRATICule:GRID:STATe

Determines whether to show or hide the graticule grid on the screen.

**Conditions** Measurement views: Phase noise

**Group** Display commands

**Syntax** DISPlay:PNOise:WINDow:TRACe:GRATICule:GRID:STATe { OFF | ON  
| 0 | 1 }  
DISPlay:PNOise:WINDow:TRACe:GRATICule:GRID:STATe?

**Arguments** OFF or 0 hides the graticule grid.  
ON or 1 shows the graticule grid.

**Examples** DISPLAY:PNOISE:WINDOW:TRACE:GRATICULE:GRID:STATE ON shows the graticule grid on the screen.



## DISPlay:PNOise:X[:SCALe]:AUTO (No Query Form)

Rescales the horizontal axis automatically to fit the waveform to the screen in the phase noise view.

<b>Conditions</b>	Measurement views: Phase noise
<b>Group</b>	Display commands
<b>Syntax</b>	DISPlay:PNOise:X[:SCALe]:AUTO
<b>Arguments</b>	None
<b>Examples</b>	DISPLAY:PNOISE:X:SCALE:AUTO rescales the horizontal scale automatically to fit the waveform to the screen.

## DISPlay:PNOise:X[:SCALe]:START

Sets or queries the start frequency (left edge) of the phase noise graph.

<b>Conditions</b>	Measurement views: Phase noise
<b>Group</b>	Display commands
<b>Syntax</b>	DISPlay:PNOise:X[:SCALe]:START <value> DISPlay:PNOise:X[:SCALe]:START?
<b>Arguments</b>	<value> :: <NRF> specifies the start frequency. Range: 10 mHz to 100 MHz.  Note that (start frequency) = $10^4 \times$ (stop frequency).
<b>Examples</b>	DISPLAY:PNOISE:X:SCALE:START 10Hz sets the start frequency to 10 Hz in the phase noise graph.

## DISPlay:PNOise:X[:SCALE]:STOP

Sets or queries the stop frequency (right edge) of the phase noise graph.

**Conditions** Measurement views: Phase noise

**Group** Display commands

**Syntax** DISPlay:PNOise:X[:SCALE]:STOP <value>  
DISPlay:PNOise:X[:SCALE]:STOP?

**Arguments** <value> :: <NRF> specifies the stop frequency.  
Range: 100 Hz to 1 THz.

Note that (start frequency) =  $10^4 \times$  (stop frequency).

**Examples** DISPLAY:PNOISE:X:SCALE:STOP 2GHZ sets the stop frequency to 2 GHz in the phase noise graph.

## DISPlay:PNOise:Y[:SCALE]

Sets or queries the vertical range of the phase noise graph.

**Conditions** Measurement views: Phase noise

**Group** Display commands

**Syntax** DISPlay:PNOise:Y[:SCALE] <value>  
DISPlay:PNOise:Y[:SCALE]?

**Arguments** <value> :: <NRF> specifies the vertical range. Range: 0.1 to 200 dB.

**Examples** DISPLAY:PNOISE:Y:SCALE 100 sets the vertical range to 100 dB for the phase noise graph.

## DISPlay:PNOise:Y[:SCALe]:AUTO (No Query Form)

Rescales the vertical axis automatically to fit the waveform to the screen in the phase noise view.

<b>Conditions</b>	Measurement views: Phase noise
<b>Group</b>	Display commands
<b>Syntax</b>	DISPlay:PNOise:Y[:SCALe]:AUTO
<b>Arguments</b>	None
<b>Examples</b>	DISPLAY:PNOISE:Y:SCALE:AUTO rescales the vertical scale automatically to fit the waveform to the screen.

## DISPlay:PNOise:Y[:SCALe]:OFFSet

Sets or queries the vertical offset (the value at the top edge of the vertical axis) of the phase noise graph.

<b>Conditions</b>	Measurement views: Phase noise
<b>Group</b>	Display commands
<b>Syntax</b>	DISPlay:PNOise:Y[:SCALe]:OFFSet <value> DISPlay:PNOise:Y[:SCALe]:OFFSet?
<b>Arguments</b>	<value> :: <Nrf> specifies the vertical offset. Range: -200 to +20 dBc/Hz.
<b>Examples</b>	DISPLAY:PNOISE:Y:SCALE:OFFSET -12.5 sets the vertical offset to -12.5 dBc/Hz for the phase noise graph.

## DISPlay:PNOise:Y[:SCALE]:PDIVision

Sets or queries the vertical scale (per division) of the phase noise graph.

**Conditions** Measurement views: Phase noise

**Group** Display commands

**Syntax** DISPlay:PNOise:Y[:SCALE]:PDIVision <value>  
DISPlay:PNOise:Y[:SCALE]:PDIVision?

**Arguments** <value> :: <NRF> specifies the vertical scale (per division).  
Range: 0.01 to 20 dB/div.

**Examples** DISPLAY:PNOISE:Y:SCALE:PDIVISION 5 sets the vertical scale to 5 dB/div.

## DISPlay:PULSe:MEASview:DELeTe (No Query Form)

Deletes the measurement view in the pulsed RF measurements.

**Conditions** Measurement views: Pulsed RF measurements

**Group** Display commands

**Syntax** DISPlay:PULSe:MEASview:DELeTe { RESuLt | TRACe | STATistics  
}

**Arguments** RESuLt deletes the pulse table view.

TRACe deletes the pulse trace view.

STATistics deletes the pulse statistics view.

If you attempt to delete a view that is not displayed on screen, the error (-200, "Execution error; Measurement not running") will be returned.

**Examples** DISPLAY:PULSE:MEASVIEW:DELETETRACe deletes the pulse trace view.

## DISPlay:PULSe:MEASview:NEW (No Query Form)

Displays a new measurement view in the pulsed RF measurements.

**Conditions** Measurement views: Pulsed RF measurements

**Group** Display commands

**Syntax** DISPlay:PULSe:MEASview:NEW { RESuLt | TRACe | STATistics }

**Arguments** RESuLt opens the pulse table view.

TRACe opens the pulse trace view.

STATistics opens the pulse statistics view.

If you attempt to open a view that is currently displayed on screen, the error (-200, "Execution error; Measurement is already running") will be returned.

**Examples** DISPLAY:PULSE:MEASVIEW:NEWSTATISTICS creates the pulse statistics view.

## DISPlay:PULSe:MEASview:SElect

Selects a measurement view in the pulsed RF measurements on the screen. The query command returns the currently selected view.

**Conditions** Measurement views: Pulsed RF measurements

**Group** Display commands

**Syntax** DISPlay:PULSe:MEASview:SElect { RESuLt | TRACe | STATistics }  
DISPlay:PULSe:MEASview:SElect?

**Arguments** RESuLt selects the pulse table view.

TRACe selects the pulse trace view.

STATistics selects the pulse statistics view.

If you attempt to select a view that is not displayed on screen, the error (-200, "Execution error; Measurement not running") will be returned.

**Examples**     `DISPLAY:PULSE:MEASVIEW:SELECTTRACE` selects the pulse trace view.

## DISPlay:PULSe:RESult:ATX

Determines whether or not to show the average transmitted power measurement result in the pulse table.

**Conditions**     Measurement views: Pulse table

**Group**     Display commands

**Syntax**     `DISPlay:PULSe:RESuIt:ATX { OFF | ON | 0 | 1 }`  
`DISPlay:PULSe:RESuIt:ATX?`

**Arguments**     OFF or 0 does not show the average transmitted power measurement result.  
ON or 1 shows the average transmitted power measurement result in the pulse table.

**Examples**     `DISPLAY:PULSE:RESULT:ATX ON` shows the average transmitted power measurement result in the pulse table.

## DISPlay:PULSe:RESult:AVERAge

Determines whether or not to show the average on power measurement result in the pulse table.

**Conditions**     Measurement views: Pulse table

**Group**     Display commands

**Syntax**     `DISPlay:PULSe:RESuIt:AVERAge { OFF | ON | 0 | 1 }`  
`DISPlay:PULSe:RESuIt:AVERAge?`

**Arguments**     OFF or 0 does not show the average on power measurement result.  
ON or 1 shows the average on power measurement result in the results table.

**Examples**     `DISPLAY:PULSE:RESULT:AVERAGE ON` shows the average on power measurement result in the pulse table.

## DISPlay:PULSe:RESult:DRoDb

Determines whether or not to show the droop measurement result in dB in the pulse table.

**Conditions** Measurement views: Pulse table

**Group** Display commands

**Syntax** DISPlay:PULSe:RESu!t:DRoDb { OFF | ON | 0 | 1 }  
DISPlay:PULSe:RESu!t:DRoDb?

**Arguments** OFF or 0 does not show the droop measurement result in dB.  
ON or 1 shows the droop measurement result in dB in the pulse table.

**Examples** DISPLAY:PULSE:RESULT:DRoDB ON shows the droop measurement result in dB in the pulse table.

## DISPlay:PULSe:RESult:DRoOp

Sets or queries showing the droop measurement result in the pulse table.

**Conditions** Measurement views: Pulse table

**Group** Display commands

**Syntax** DISPlay:PULSe:RESu!t:DRoOp { OFF | ON | 0 | 1 }  
DISPlay:PULSe:RESu!t:DRoOp?

**Arguments** OFF or 0 does not show the droop measurement result.  
ON or 1 shows the droop measurement result in the pulse table.

**Examples** DISPLAY:PULSE:RESULT:DRoOP ON shows the droop measurement result in the pulse table.

## DISPlay:PULSe:RESuLt:DUTPct

Determines whether or not to show the duty factor (%) measurement result in the pulse table.

**Conditions** Measurement views: Pulse table

**Group** Display commands

**Syntax** DISPlay:PULSe:RESuLt:DUTPct { OFF | ON | 0 | 1 }  
DISPlay:PULSe:RESuLt:DUTPct?

**Arguments** OFF or 0 does not show the duty factor measurement result.  
ON or 1 shows the duty factor measurement result in the pulse table.

**Examples** DISPLAY:PULSE:RESULT:DUTPCT ON shows the duty factor (%) measurement result in the pulse table.

## DISPlay:PULSe:RESuLt:DUTRatio

Determines whether or not to show the duty factor (ratio) measurement result in the pulse table.

**Conditions** Measurement views: Pulse table

**Group** Display commands

**Syntax** DISPlay:PULSe:RESuLt:DUTRatio { OFF | ON | 0 | 1 }  
DISPlay:PULSe:RESuLt:DUTRatio?

**Arguments** OFF or 0 does not show the duty factor measurement result.  
ON or 1 shows the duty factor measurement result in the pulse table.

**Examples** DISPLAY:PULSE:RESULT:DUTRATIO ON shows the duty factor (ratio) measurement result in the pulse table.



## DISPlay:PULSe:RESult:FALL

Determines whether or not to show the fall time measurement result in the pulse table.

**Conditions** Measurement views: Pulse table

**Group** Display commands

**Syntax** DISPlay:PULSe:RESult:FALL { OFF | ON | 0 | 1 }  
DISPlay:PULSe:RESult:FALL?

**Arguments** OFF or 0 does not show the fall time measurement result.  
ON or 1 shows the fall time measurement result in the pulse table.

**Examples** DISPLAY:PULSE:RESULT:FALL ON shows the fall time measurement result in the pulse table.

## DISPlay:PULSe:RESult:FRDeviation

Determines whether or not to show the frequency deviation measurement result in the pulse table.

**Conditions** Measurement views: Pulse table

**Group** Display commands

**Syntax** DISPlay:PULSe:RESult:FRDeviation { OFF | ON | 0 | 1 }  
DISPlay:PULSe:RESult:FRDeviation?

**Arguments** OFF or 0 does not show the frequency deviation measurement result.  
ON or 1 shows the frequency deviation measurement result in the pulse table.

**Examples** DISPLAY:PULSE:RESULT:FRDEVIATION ON shows the frequency deviation measurement result in the pulse table.

## DISPlay:PULSe:RESult:IRAmplitude

Sets or queries showing the impulse response amplitude measurement result in the pulse table.

**Conditions** Measurement views: Pulse table

**Group** Display commands

**Syntax** DISPlay:PULSe:RESult:IRAmplitude { OFF | ON | 0 | 1 }  
DISPlay:PULSe:RESult:IRAmplitude?

**Arguments** OFF or 0 does not show the Impulse Response Amplitude measurement result.  
ON or 1 shows the Impulse Response Amplitude measurement result in the results table.

**Examples** DISPLAY:PULSE:RESULT:IRAMPLITUDE ON shows the Impulse Response Amplitude measurement result in the pulse table.

## DISPlay:PULSe:RESult:IRTime

Sets or queries showing the Impulse Response Time measurement result in the pulse table.

**Conditions** Measurement views: Pulse table

**Group** Display commands

**Syntax** DISPlay:PULSe:RESult:IRTime { OFF | ON | 0 | 1 }  
DISPlay:PULSe:RESult:IRTime?

**Arguments** OFF or 0 does not show the Impulse Response Time measurement result.  
ON or 1 shows the Impulse Response Time measurement result in the results table.

**Examples** DISPLAY:PULSE:RESULT:IRTIME ON shows the Impulse Response Time measurement result in the pulse table.

## DISPlay:PULSe:RESult:MFReqerror

Determines whether or not to show the maximum frequency error measurement result in the pulse table.

**Conditions** Measurement views: Pulse table

**Group** Display commands

**Syntax** DISPlay:PULSe:RESult:MFReqerror { OFF | ON | 0 | 1 }  
DISPlay:PULSe:RESult:MFReqerror?

**Arguments** OFF or 0 does not show the maximum frequency error measurement result.  
ON or 1 shows the maximum frequency error measurement result in the pulse table.

**Examples** DISPLAY:PULSE:RESULT:MFREQERROR ON shows the maximum frequency error measurement result in the pulse table.

## DISPlay:PULSe:RESult:MPHerror

Determines whether or not to show the maximum phase error measurement result in the pulse table.

**Conditions** Measurement views: Pulse table

**Group** Display commands

**Syntax** DISPlay:PULSe:RESult:MPHerror { OFF | ON | 0 | 1 }  
DISPlay:PULSe:RESult:MPHerror?

**Arguments** OFF or 0 does not show the maximum phase error measurement result.  
ON or 1 shows the maximum phase error measurement result in the pulse table.

**Examples** DISPLAY:PULSE:RESULT:MPHERROR ON shows the maximum phase error measurement result in the pulse table.

## DISPlay:PULSe:RESult:OVEDb

Determines whether or not to show the Overshoot measurement result in dB in the pulse table.

**Conditions** Measurement views: Pulse table

**Group** Display commands

**Syntax** DISPlay:PULSe:RESult:OVEDb { OFF | ON | 0 | 1 }  
DISPlay:PULSe:RESult:OVEDb?

**Arguments** OFF or 0 does not show the Overshoot measurement result in dB.  
ON or 1 shows the Overshoot measurement result in dB in the pulse table.

**Examples** DISPLAY:PULSE:RESULT:OVEDB ON shows the Overshoot measurement result in dB in the pulse table.

## DISPlay:PULSe:RESult:OVERshoot

Sets or queries whether or not to show the Overshoot measurement result in the pulse table.

**Conditions** Measurement views: Pulse table

**Group** Display commands

**Syntax** DISPlay:PULSe:RESult:OVERshoot { OFF | ON | 0 | 1 }  
DISPlay:PULSe:RESult:OVERshoot?

**Arguments** OFF or 0 does not show the Overshoot measurement result.  
ON or 1 shows the Overshoot measurement result in the pulse table.

**Examples** DISPLAY:PULSE:RESULT:OVERSHOOT ON shows the Overshoot measurement result in the pulse table.

## DISPlay:PULSe:RESult:PHDeviation

Determines whether or not to show the phase deviation measurement result in the pulse table.

**Conditions** Measurement views: Pulse table

**Group** Display commands

**Syntax** DISPlay:PULSe:RESult:PHDeviation { OFF | ON | 0 | 1 }  
DISPlay:PULSe:RESult:PHDeviation?

**Arguments** OFF or 0 does not show the phase deviation measurement result.  
ON or 1 shows the phase deviation measurement result in the pulse table.

**Examples** DISPLAY:PULSE:RESULT:PHDEVIATION ON shows the phase deviation measurement result in the pulse table.

## DISPlay:PULSe:RESult:PPFRequency

Determines whether or not to show the pulse-pulse carrier frequency measurement result in the pulse table.

**Conditions** Measurement views: Pulse table

**Group** Display commands

**Syntax** DISPlay:PULSe:RESult:PPFRequency { OFF | ON | 0 | 1 }  
DISPlay:PULSe:RESult:PPFRequency?

**Arguments** OFF or 0 does not show the pulse-pulse carrier frequency measurement result.  
ON or 1 shows the pulse-pulse carrier frequency measurement result in the pulse table.

**Examples** DISPLAY:PULSE:RESULT:PPFREQUENCY ON shows the pulse-pulse carrier frequency measurement result in the pulse table.

## DISPlay:PULSe:RESuLt:PPOWer

Determines whether or not to show the peak power measurement result in the pulse table.

**Conditions** Measurement views: Pulse table

**Group** Display commands

**Syntax** DISPlay:PULSe:RESuLt:PPOWer { OFF | ON | 0 | 1 }  
DISPlay:PULSe:RESuLt:PPOWer?

**Arguments** OFF or 0 does not show the peak power measurement result.  
ON or 1 shows the peak power measurement result in the pulse table.

**Examples** DISPLAY:PULSE:RESULT:PPOWER ON shows the peak power measurement result in the pulse table.

## DISPlay:PULSe:RESuLt:PPPHase

Determines whether or not to show the pulse-pulse carrier phase measurement result in the pulse table.

**Conditions** Measurement views: Pulse table

**Group** Display commands

**Syntax** DISPlay:PULSe:RESuLt:PPPHase { OFF | ON | 0 | 1 }  
DISPlay:PULSe:RESuLt:PPPHase?

**Arguments** OFF or 0 does not show the pulse-pulse carrier phase measurement result.  
ON or 1 shows the pulse-pulse carrier phase measurement result in the pulse table.

**Examples** DISPLAY:PULSE:RESULT:PPPHASE ON shows the pulse-pulse carrier phase measurement result in the pulse table.

## DISPlay:PULSe:RESult:RINTerval

Determines whether or not to show the repetition interval measurement result in the pulse table.

**Conditions** Measurement views: Pulse table

**Group** Display commands

**Syntax** DISPlay:PULSe:RESult:RINTerval { OFF | ON | 0 | 1 }  
DISPlay:PULSe:RESult:RINTerval?

**Arguments** OFF or 0 does not show the repetition interval measurement result.  
ON or 1 shows the repetition interval measurement result in the results table.

**Examples** DISPLAY:PULSE:RESULT:RINTERVAL ON shows the repetition interval measurement result in the pulse table.

## DISPlay:PULSe:RESult:RIPDb

Sets or queries showing the ripple measurement result in dB in the pulse table.

**Conditions** Measurement views: Pulse table

**Group** Display commands

**Syntax** DISPlay:PULSe:RESult:RIPDb { OFF | ON | 0 | 1 }  
DISPlay:PULSe:RESult:RIPDb?

**Arguments** OFF or 0 does not show the ripple measurement result in dB.  
ON or 1 shows the ripple measurement result in dB in the pulse table.

**Examples** DISPLAY:PULSE:RESULT:RIPDB ON shows the ripple measurement result in dB in the pulse table.

## DISPlay:PULSe:RESuLt:RIPPlE

Sets or queries showing the ripple measurement result in the pulse table.

<b>Conditions</b>	Measurement views: Pulse table
<b>Group</b>	Display commands
<b>Syntax</b>	<code>DISPlay:PULSe:RESuLt:RIPPlE { OFF   ON   0   1 }</code> <code>DISPlay:PULSe:RESuLt:RIPPlE?</code>
<b>Arguments</b>	OFF or 0 does not show the ripple measurement result. ON or 1 shows the ripple measurement result in the pulse table.
<b>Examples</b>	<code>DISPlay:PULSe:RESuLt:RIPPlE ON</code> shows the ripple measurement result in the pulse table.

## DISPlay:PULSe:RESuLt:RISE

Determines whether or not to show the rise time measurement result in the pulse table.

<b>Conditions</b>	Measurement views: Pulse table
<b>Group</b>	Display commands
<b>Syntax</b>	<code>DISPlay:PULSe:RESuLt:RISE { OFF   ON   0   1 }</code> <code>DISPlay:PULSe:RESuLt:RISE?</code>
<b>Arguments</b>	OFF or 0 does not show the rise time measurement result. ON or 1 shows the rise time measurement result in the pulse table.
<b>Examples</b>	<code>DISPlay:PULSe:RESuLt:RISE ON</code> shows the rise time measurement result in the pulse table.



## DISPlay:PULSe:RESult:RMSFreqerror

Determines whether or not to show the RMS frequency error measurement result in the pulse table.

**Conditions** Measurement views: Pulse table

**Group** Display commands

**Syntax** DISPlay:PULSe:RESult:RMSFreqerror { OFF | ON | 0 | 1 }  
DISPlay:PULSe:RESult:RMSFreqerror?

**Arguments** OFF or 0 does not show the RMS frequency error measurement result.  
ON or 1 shows the RMS frequency error measurement result in the pulse table.

**Examples** DISPLAY:PULSE:RESULT:RMSFREQERROR ON shows the RMS frequency error measurement result in the pulse table.

## DISPlay:PULSe:RESult:RMSPherror

Determines whether or not to show the RMS phase error measurement result in the pulse table.

**Conditions** Measurement views: Pulse table

**Group** Display commands

**Syntax** DISPlay:PULSe:RESult:RMSPherror { OFF | ON | 0 | 1 }  
DISPlay:PULSe:RESult:RMSPherror?

**Arguments** OFF or 0 does not show the RMS phase error measurement result.  
ON or 1 shows the RMS phase error measurement result in the pulse table.

**Examples** DISPLAY:PULSE:RESULT:RMSPHERROR ON shows the RMS phase error measurement result in the pulse table.

## DISPlay:PULSe:RESult:RRATe

Determines whether or not to show the repetition rate measurement result in the pulse table.

**Conditions** Measurement views: Pulse table

**Group** Display commands

**Syntax** DISPlay:PULSe:RESult:RRATe { OFF | ON | 0 | 1 }  
DISPlay:PULSe:RESult:RRATe?

**Arguments** OFF or 0 does not show the repetition rate measurement result.  
ON or 1 shows the repetition rate measurement result in the pulse table.

**Examples** DISPLAY:PULSE:RESULT:RRATE ON shows the repetition rate measurement result in the pulse table.

## DISPlay:PULSe:RESult:TIME

Determines whether or not to show the time measurement result in the pulse table.

**Conditions** Measurement views: Pulse table

**Group** Display commands

**Syntax** DISPlay:PULSe:RESult:TIME { OFF | ON | 0 | 1 }  
DISPlay:PULSe:RESult:TIME?

**Arguments** OFF or 0 does not show the time measurement result.  
ON or 1 shows the time measurement result in the pulse table.

**Examples** DISPLAY:PULSE:RESULT:TIME ON shows the time measurement result in the pulse table.

## DISPlay:PULSe:RESuLt:WIDTh

Determines whether or not to show the pulse width measurement result in the pulse table.

**Conditions** Measurement views: Pulse table

**Group** Display commands

**Syntax** DISPlay:PULSe:RESuLt:WIDTh { OFF | ON | 0 | 1 }  
DISPlay:PULSe:RESuLt:WIDTh?

**Arguments** OFF or 0 does not show the pulse width measurement result.  
ON or 1 shows the pulse width measurement result in the pulse table.

**Examples** DISPLAY:PULSE:RESULT:WIDTH ON shows the pulse width measurement result in the pulse table.

## DISPlay:PULSe:SELEct:NUMBer

Sets or queries a pulse to measure. For the selected pulse, the statistics view indicates the measurement result while the table view highlights it, and the trace view displays the waveform.

**Conditions** Measurement views: Pulse statistics, Pulse table, Pulse trace

**Group** Display commands

**Syntax** DISPlay:PULSe:SELEct:NUMBer <number>  
DISPlay:PULSe:SELEct:NUMBer?

**Arguments** <number> :: <NR1> specifies the number of pulse to measure.  
Range: -(the number of acquired pulses before the time reference) to +(the number of acquired pulses after the time reference).  
  
Zero (0) represents the pulse at the analysis time reference specified using the [\[SENSe\]:ANALysis:REFEreNce](#) command. The number of acquired pulses depends on the analysis range.

**Examples**    `DISPLAY:WINDOW:SELECT:NUMBER -28` measures the pulse #-28.

## DISPlay:PULSe:SElect:RESult

Sets or queries which result is shown in the pulse trace and statistics views.

**Conditions**    Measurement views: Pulse statistics, Pulse trace

**Group**    Display commands

**Syntax**    `DISPlay:PULSe:SElect:RESult { AVERAge | PPOWer | ATX |  
 WIDTH| RISE | FALL | RINTerval | RRATe | DUTPct | DUTRatio |  
 RIPPlE| RIPDb | DROop | DRODb | OVERshoot | OVEDb | PPPHase  
 | PPFRequency | RMSFrequerror | MFRequerror| RMSPherror |  
 MPHerror | FRDeviation | PHDeviation | IRAMplitude | IRTIME  
 }`  
`DISPlay:PULSe:SElect:RESult?`

**Arguments**    The following table lists the arguments.

**Table 2-32: Pulse results**

Argument	Result
AVERAge	Average on power
PPOWer	Peak power
ATX	Average transmitted power
WIDTH	Pulse width
RISE	Rise time
FALL	Fall time
RINTerval	Repetition interval
RRATe	Repetition rate
DUTPct	Duty factor (%)
DUTRatio	Duty factor (ratio)
RIPPlE	Ripple
RIPDb	Ripple (dB)
DROop	Droop
DRODb	Droop (dB)
OVERshoot	Overshoot
OVEDb	Overshoot (dB)
PPPHase	Pulse-pulse carrier phase
PPFRequency	Pulse-pulse carrier frequency

**Table 2-32: Pulse results (cont.)**

<b>Argument</b>	<b>Result</b>
RMSFreqerror	RMS frequency error
MRFreqerror	Maximum frequency error
RMSPherror	RMS phase error
MPHerror	Maximum phase error
FRDeviation	Frequency deviation
PHDeviation	Phase deviation
IRAmplitude	Impulse Response Amplitude
IRTime	Impulse Response Sidelobe Offset Time from Mainlobe

**Examples** `DISPLAY:PULSE:SELECT:RESULTAVERAGE` shows the average on power result in the pulse trace and statistics views.

## DISPlay:PULSe:STATistics:MARKer:SHOW:STATE

Determines whether to show or hide the marker readout in the statistics graph. This command is valid when `DISPlay:PULSe:STATistics:PLOT` is set to FFT.

<b>Conditions</b>	Measurement views: Pulse statistics
<b>Group</b>	Display commands
<b>Syntax</b>	<code>DISPlay:PULSe:STATistics:MARKer:SHOW:STATE { OFF   ON   0   1 }</code> <code>DISPlay:PULSe:STATistics:MARKer:SHOW:STATE?</code>
<b>Arguments</b>	OFF or 0 hides the marker readout. ON or 1 shows the marker readout.
<b>Examples</b>	<code>DISPLAY:PULSE:STATISTICS:MARKER:SHOW:STATE ON</code> shows the marker readout in the statistics graph.

## DISPlay:PULSe:STATistics:PLOT

Sets or queries how to show the statistics graph.

<b>Conditions</b>	Measurement views: Pulse statistics
<b>Group</b>	Display commands
<b>Syntax</b>	DISPlay:PULSe:STATistics:PLOT { TREND   FFT   TTrend   HISTogram } DISPlay:PULSe:STATistics:PLOT?
<b>Arguments</b>	TREND shows the statistics result along with the pulse number. FFT shows the statistics result transformed into the frequency domain by FFT. TTrend shows the statistics result along with time. HISTogram shows the histogram statistics results.
<b>Examples</b>	DISPLAY:PULSE:STATISTICS:PLOTTREND shows the statistics result along with the pulse number.

## DISPlay:PULSe:STATistics:WINDow:TRACe:GRATICule:GRID:STATe

Determines whether to show or hide the graticule grid in the statistics view.

<b>Conditions</b>	Measurement views: Pulse statistics
<b>Group</b>	Display commands
<b>Syntax</b>	DISPlay:PULSe:STATistics:WINDow:TRACe:GRATICule:GRID:STATe { OFF   ON   0   1 } DISPlay:PULSe:STATistics:WINDow:TRACe:GRATICule:GRID:STATe?
<b>Arguments</b>	OFF or 0 hides the graticule grid. ON or 1 shows the graticule grid.
<b>Examples</b>	DISPLAY:PULSE:STATISTICS:WINDOW:TRACE:GRATICULE:GRID:STATE ON shows the graticule grid on the statistics view.

## DISPlay:PULSe:STATistics:X:RSCale (No Query Form)

Rescales the horizontal axis to fit the waveform to the screen in the statistics graph.

**Conditions** Measurement views: Pulse statistics

**Group** Display commands

**Syntax** DISPlay:PULSe:STATistics:X:RSCale

**Arguments** None

**Examples** DISPlay:PULSe:STATistics:X:RSCale rescales the horizontal axis of the statistics graph.

## DISPlay:PULSe:STATistics:X[:SCALe]:NUMBer

Sets or queries the horizontal full scale in the statistics graph.

**Conditions** Measurement views: Pulse statistics

**Group** Display commands

**Syntax** DISPlay:PULSe:STATistics:X[:SCALe]:NUMBer <value>  
DISPlay:PULSe:STATistics:X[:SCALe]:NUMBer?

**Related Commands** [DISPlay:PULSe:STATistics:X\[:SCALe\]:OFFSet](#)

**Arguments** <value> :: <Nrf> specifies the horizontal full scale. The setting range depends on the [DISPlay:PULSe:STATistics:PLOT](#) command parameters as shown in the table below.

DISPlay:PULSe:STATistics:PLOT	Setting range
TREND	1 to 1000
FFT	1 Hz to 120 MHz

**Examples** DISPlay:PULSe:STATistics:X:SCALe:NUMBer 50 sets the horizontal full scale to 50 pulses when the plot is trend.

## DISPlay:PULSe:STATistics:X[:SCALe]:OFFSet

Sets or queries the minimum horizontal value (the first pulse to show) in the statistics graph.

<b>Conditions</b>	Measurement views: Pulse statistics
<b>Group</b>	Display commands
<b>Syntax</b>	DISPlay:PULSe:STATistics:X[:SCALe]:OFFSet <value> DISPlay:PULSe:STATistics:X[:SCALe]:OFFSet?
<b>Arguments</b>	<value> :: <Nrf> specifies the number of the first pulse. Range: $-(X - X/10)$ to $+(X - X/10)$ where X is the horizontal scale set by the <a href="#">DISPlay:PULSe:STATistics:X[:SCALe]:NUMBer</a> command.
<b>Examples</b>	DISPLAY:PULSE:STATISTICS:X:SCALE:OFFSET 120 sets the first pulse number to #120.

## DISPlay:PULSe:STATistics:Y:RSCale (No Query Form)

Rescales the vertical axis to fit the waveform to the screen in the statistics graph.

<b>Conditions</b>	Measurement views: Pulse statistics
<b>Group</b>	Display commands
<b>Syntax</b>	DISPlay:PULSe:STATistics:Y:RSCale
<b>Arguments</b>	None
<b>Examples</b>	DISPLAY:PULSE:STATISTICS:Y:RSCALE rescales the vertical axis of the statistics graph.



## DISPlay:PULSe:STATistics:Y[:SCALe]:FULL

Sets or queries the vertical full scale in the statistics graph.

**Conditions** Measurement views: Pulse statistics

**Group** Display commands

**Syntax** DISPlay:PULSe:STATistics:Y[:SCALe]:FULL <value>  
DISPlay:PULSe:STATistics:Y[:SCALe]:FULL?

**Related Commands** [DISPlay:PULSe:STATistics:X\[:SCALe\]:OFFSet](#)

**Arguments** <value> :: <Nrf> specifies the vertical full scale. The setting range depends on the [DISPlay:PULSe:STATistics:PLOT](#) command parameters and the measurement items as shown in the following table.

DISPlay:PULSe:STATistics:PLOT	Measurement item	Setting range
TRENd	Average on power, Peak power, Average transmitted power	0.1 to 200 dB
	Pulse width, Rise time, Fall time, Repetition interval	1 n to 5 Ms
	Repetition rate	100 m to 100 MHz
	Duty factor, Ripple	1 to 100%
	Droop	1 to 200%
	Pulse-pulse carrier phase	1 to 360°
	FFT	All

**Examples** DISPLAY:PULSE:STATISTICS:Y:SCALE:FULL 100 sets the vertical full scale to 100 dB.

## DISPlay:PULSe:STATistics:Y[:SCALe]:OFFSet

Sets or queries the vertical offset in the statistics graph.

**Conditions** Measurement views: Pulse statistics

**Group** Display commands

**Syntax** `DISPlay:PULSe:STATistics:Y[:SCALE]:OFFSet <value>`  
`DISPlay:PULSe:STATistics:Y[:SCALE]:OFFSet?`

**Arguments** `<value>` :: `<NRF>` specifies the vertical offset. The vertical offset is the value at the top or the bottom edge of the graph depending on measurement items. The setting range depends on the `DISPlay:PULSe:STATistics:PLOT` command parameters and the measurement items as shown in the table below.

<code>DISPlay:PULSe:STATistics:PLOT</code>	Measurement item	Setting range	Offset position <sup>1</sup>
TRENd	Average on power, Peak power, Average transmitted power	-170 to +50 dBm	Top (Bottom for the unit of Volts or Watts)
	Pulse width, Rise time, Fall time, Repetition interval	0 to 5 Ms	Bottom
	Repetition rate	0 to 100 MHz	Bottom
	Duty factor, Ripple	0 to 100%	Bottom
	Droop	0 to +100%	Bottom
	Pulse-pulse carrier phase	-180 to +180°	Bottom
FFT	All	-400 to +100 dB	Top

<sup>1</sup> indicates whether the offset is the value at the top or the bottom edge of the graph.

**Examples** `DISPlay:PULSe:STATISTICS:Y:SCALE:OFFSET 24.8` sets the maximum vertical value to 24.8 dBm in the statistics graph.

## DISPlay:PULSe:STATistics:Y[:SCALE]:STOP? (Query Only)

Queries the minimum vertical value (bottom edge) in the statistics graph.

**Conditions** Measurement views: Pulse statistics

**Group** Display commands

**Syntax** `DISPlay:PULSe:STATistics:Y[:SCALE]:STOP?`

**Related Commands** `DISPlay:PULSe:STATistics:X[:SCALE]:OFFSet`

<b>Arguments</b>	None
<b>Returns</b>	<y_stop> :: <Nrf> is the minimum vertical value (bottom edge).
<b>Examples</b>	DISPLAY:PULSE:STATISTICS:Y:SCALE:STOP? might return -150.0, indicating that the minimum vertical value is -150 dBm in the pulse statistics graph.

## DISPlay:PULSe:TRACe:MARKer:SHOW:STATe

Determines whether to show or hide the marker readout in the pulse trace view.

<b>Conditions</b>	Measurement views: Pulse trace
<b>Group</b>	Display commands
<b>Syntax</b>	DISP <code>l</code> ay:PULSe:TRACe:MARKer:SHOW:STATe { OFF   ON   0   1 } DISP <code>l</code> ay:PULSe:TRACe:MARKer:SHOW:STATe?
<b>Arguments</b>	OFF or 0 hides the marker readout. ON or 1 shows the marker readout.
<b>Examples</b>	DISPLAY:PULSE:TRACE:MARKER:SHOW:STATE ON shows the marker readout on the pulse trace view.

## DISPlay:PULSe:TRACe:POINt:SHOW

Determines whether to show or hide the measurement points and lines in the pulse trace view.

<b>Conditions</b>	Measurement views: Pulse trace
<b>Group</b>	Display commands
<b>Syntax</b>	DISP <code>l</code> ay:PULSe:TRACe:POINt:SHOW { OFF   ON   0   1 } DISP <code>l</code> ay:PULSe:TRACe:POINt:SHOW?

**Arguments** OFF or 0 hides the measurement points and lines.  
ON or 1 shows the measurement points and lines.

**Examples** DISPLAY:PULSE:TRACE:POINT:SHOW ON shows the measurement points and lines in the pulse trace view.

## DISPlay:PULSe:TRACe:WINDow:TRACe:GRATicule:GRID:STATe

Determines whether to show or hide the graticule grid in the pulse trace view.

**Conditions** Measurement views: Pulse trace

**Group** Display commands

**Syntax** DISPlay:PULSe:TRACe:WINDow:TRACe:GRATicule:GRID:STATe { OFF  
| ON | 0 | 1 }  
DISPlay:PULSe:TRACe:WINDow:TRACe:GRATicule:GRID:STATe?

**Arguments** OFF or 0 hides the graticule grid.  
ON or 1 shows the graticule grid.

**Examples** DISPLAY:PULSE:TRACE:WINDOW:TRACE:GRATICULE:GRID:STATE ON shows the graticule grid on the pulse trace view.

## DISPlay:PULSe:TRACe:X:RSCale (No Query Form)

Rescales the horizontal axis to fit the waveform to the screen in the pulse trace view.

**Conditions** Measurement views: Pulse trace

**Group** Display commands

**Syntax** DISPlay:PULSe:TRACe:X:RSCale

**Arguments** None

**Examples** `DISPLAY:PULSE:TRACE:X:RSCALE` rescales the horizontal axis in the pulse trace view.

## DISPlay:PULSe:TRACe:X[:SCALE]

Sets or queries the horizontal full scale in the pulse trace view.

**Conditions** Measurement views: Pulse trace

**Group** Display commands

**Syntax** `DISPlay:PULSe:TRACe:X[:SCALE] <value>`  
`DISPlay:PULSe:TRACe:X[:SCALE]?`

**Arguments** `<value> :: <Nrf>` specifies the horizontal full scale.  
 Range: 10 ns to acquisition memory capacity.

**Examples** `DISPLAY:PULSE:TRACE:X:SCALE 5.5E-6` sets the horizontal scale to 5.5  $\mu$ s.

## DISPlay:PULSe:TRACe:X[:SCALE]:FULL

Sets or queries the full-scale reference for the horizontal rescale.

**Conditions** Measurement views: Pulse trace

**Group** Display commands

**Syntax** `DISPlay:PULSe:TRACe:X[:SCALE]:FULL { Selected | MAXimum }`  
`DISPlay:PULSe:TRACe:X[:SCALE]:FULL?`

**Arguments** `Selected` uses the selected pulse for the full-scale reference.  
`MAXimum` uses the maximum pulse for the full-scale reference.

**Examples** `DISPLAY:PULSE:TRACE:X:SCALE:FULL Selected` uses the selected pulse for the full-scale reference.

## DISPlay:PULSe:TRACe:X[:SCALe]:OFFSet

Sets or queries the minimum horizontal value (left edge) in the pulse trace view.

**Conditions** Measurement views: Pulse trace

**Group** Display commands

**Syntax** DISPlay:PULSe:TRACe:X[:SCALe]:OFFSet <value>  
DISPlay:PULSe:TRACe:X[:SCALe]:OFFSet?

**Related Commands** [DISPlay:PULSe:TRACe:X\[:SCALe\]:PDIVision](#)

**Arguments** <value> :: <Nrf> specifies the minimum horizontal value.  
Range: [(analysis offset) - (X scale) × 0.9] to [(analysis offset) + (analysis length) - (X scale) × 0.1]

**Examples** DISPLAY:PULSE:TRACE:X:SCALE:OFFSET 937.5E-9 sets the minimum horizontal value to 937.5 ns.

## DISPlay:PULSe:TRACe:X[:SCALe]:PDIVision

Sets or queries the horizontal full scale in the pulse trace view.

**Conditions** Measurement views: Pulse trace

**Group** Display commands

**Syntax** DISPlay:PULSe:TRACe:X[:SCALe]:PDIVision <value>  
DISPlay:PULSe:TRACe:X[:SCALe]:PDIVision?

**Arguments** <value> :: <Nrf> specifies the horizontal full scale.  
Range: 10 ns to acquisition memory capacity.

**Examples** DISPLAY:PULSE:TRACE:X:SCALE:PDIVISION 5.5E-6 sets the horizontal scale to 5.5  $\mu$ s.

## DISPlay:PULSe:TRACe:Y:RSCaLe (No Query Form)

Rescales the vertical axis to fit the waveform to the screen in the pulse trace view.

**Conditions** Measurement views: Pulse trace

**Group** Display commands

**Syntax** DISPlay:PULSe:TRACe:Y:RSCaLe

**Arguments** None

**Examples** DISPLAY:PULSE:TRACE:Y:RSCALE rescales the vertical axis in the pulse trace view.

## DISPlay:PULSe:TRACe:Y[:SCALe]:FULL

Sets or queries the vertical full scale in the pulse trace view.

**Conditions** Measurement views: Pulse trace

**Group** Display commands

**Syntax** DISPlay:PULSe:TRACe:Y[:SCALe]:FULL <value>  
DISPlay:PULSe:TRACe:Y[:SCALe]:FULL?

**Related Commands** [DISPlay:PULSe:TRACe:Y\[:SCALe\]:OFFSet](#)

**Arguments** <value> :: <NRF> specifies the vertical full scale.  
Range: 0.1 to 200 dB.  
The unit can be changed by the [\[SENSe\]:POWer:UNITs](#) command.

**Examples** DISPLAY:PULSE:TRACE:Y:SCALE:FULL 100 sets the vertical full scale to 100 dB.

## DISPlay:PULSe:TRACe:Y[:SCALe]:OFFSet

Sets or queries the vertical offset (the value at the top edge of the vertical axis) in the pulse trace view.

**Conditions** Measurement views: Pulse trace

**Group** Display commands

**Syntax** DISPlay:PULSe:TRACe:Y[:SCALe]:OFFSet <value>  
DISPlay:PULSe:TRACe:Y[:SCALe]:OFFSet?

**Related Commands** [DISPlay:PULSe:TRACe:Y\[:SCALe\]:STOP?](#)

**Arguments** <value> :: <NRF> specifies the vertical offset. Range: -170 to +50 dBm.

**Examples** DISPLAY:PULSE:TRACE:Y:SCALE:OFFSET 23.5 sets the vertical offset to 23.5 dBm.

## DISPlay:PULSe:TRACe:Y[:SCALe]:STOP? (Query Only)

Queries the minimum vertical value (bottom edge) in the pulse trace view.

**Conditions** Measurement views: Pulse trace

**Group** Display commands

**Syntax** DISPlay:PULSe:TRACe:Y[:SCALe]:STOP?

**Related Commands** [DISPlay:PULSe:TRACe:Y\[:SCALe\]:OFFSet](#)

**Arguments** None

**Returns** <y\_stop> :: <NRF> is the minimum vertical value (bottom edge).

**Examples** DISPLAY:PULSE:TRACE:Y:SCALE:STOP? might return -150.0, indicating that the minimum vertical value is -150 dBm in the pulse trace view.



## DISPlay:SGRam:FREQUENCY:AUTO (No Query Form)

Rescales the horizontal axis automatically to fit the waveform to the screen in the spectrogram view.

**Conditions** Measurement views: Spectrogram

**Group** Display commands

**Syntax** DISPlay:SGRam:FREQUENCY:AUTO

**Arguments** None

**Examples** DISPLAY:SGRAM:FREQUENCY:AUTO rescales the horizontal scale automatically to fit the waveform to the screen.

## DISPlay:SGRam:FREQUENCY:OFFSet

Sets or queries the frequency offset (the value at the center of the horizontal axis) in the spectrogram.

**Conditions** Measurement views: Spectrogram

**Group** Display commands

**Syntax** DISPlay:SGRam:FREQUENCY:OFFSet <value>  
DISPlay:SGRam:FREQUENCY:OFFSet?

**Related Commands** [DISPlay:SPECTrum:FREQUENCY\[:SCALE\]](#)

**Arguments** <value> :: <NRf> specifies the frequency offset.  
Range: [(center frequency) - (X scale) × 0.9] to [(center frequency) + (X scale) × 0.9]

**Examples** DISPLAY:SGRAM:FREQUENCY:OFFSET1.45GHZ sets the frequency offset to 1.45 GHz in the spectrogram.

## DISPlay:SGRam:FREQuency:SCAle

Sets or queries the horizontal range of the spectrogram.

<b>Conditions</b>	Measurement views: Spectrogram
<b>Group</b>	Display commands
<b>Syntax</b>	DISPlay:SGRam:FREQuency:SCAle <value> DISPlay:SGRam:FREQuency:SCAle?
<b>Related Commands</b>	<a href="#">DISPlay:SPECTrum:FREQuency:OFFSet</a>
<b>Arguments</b>	<value> :: <NRF> specifies the horizontal range. Range: 10 Hz to 6.2 GHz (RSA6106A) / 14 GHz (RSA6114A).
<b>Examples</b>	DISPLAY:SGRAM:FREQUENCY:SCALE10MHZ sets the horizontal range to 10 MHz.

## DISPlay:SEM:MARKer:SHOW:STATe

Determines whether to show or hide the readout for the selected marker in the Spectral Emissions Mask view.

<b>Conditions</b>	Measurement views: Spectral Emissions Mask
<b>Group</b>	Display commands
<b>Syntax</b>	DISPlay:SEM:MARKer:SHOW:STATe { OFF   ON   1   0 } DISPlay:SEM:MARKer:SHOW:STATe?
<b>Arguments</b>	OFF or 0 hides the readout for the selected marker in the graph. ON or 1 shows the readout for the selected marker in the graph.
<b>Examples</b>	DISPLAY:SEM:MARKER:SHOW:STATE ON shows the readout for the selected marker in the graph.

## DISPlay:SEM:RESet:SCALE (No Query Form)

Resets the scale in the Spectral Emissions Mask view.

<b>Conditions</b>	Measurement views: Spectral Emissions Mask
<b>Group</b>	Display commands
<b>Syntax</b>	DISP <code>l</code> ay:SEM:RESet:SCALE
<b>Arguments</b>	None
<b>Examples</b>	DISP <code>L</code> AY:SEM:RESE <code>T</code> :SCALE resets the scale in the view.

## DISPlay:SEM:SHOW:LIMit

Sets or queries the appearance of the limits in the Spectral Emissions Mask view

<b>Conditions</b>	Measurement views: Spectral Emissions Mask
<b>Group</b>	Display commands
<b>Syntax</b>	DISP <code>l</code> ay:SEM:SHOW:LIMit { SHADEd   LINE   OFF } DISP <code>l</code> ay:SEM:SHOW:LIMit?
<b>Arguments</b>	SHADEd uses shading for the limit area in the display. LINE uses a line for the limit area. OFF turns off the limits in the display.
<b>Examples</b>	DISP <code>L</code> AY:SEM:SHOW:LIMIT SHADEd uses shading to identify the limits in the display.

## DISPlay:SEM:WINDow:TRACe:GRATicule:GRID:STATe

Determines whether to show or hide the graticule in the Spectral Emissions Mask view.

**Conditions** Measurement views: Spectral Emissions Mask

**Group** Display commands

**Syntax** DISPlay:SEM:WINDow:TRACe:GRATicule:GRID:STATe { OFF | ON | 1 | 0 }  
DISPlay:SEM:WINDow:TRACe:GRATicule:GRID:STATe?

**Arguments** OFF or 0 hides the graticule in the graph.  
ON or 1 shows the graticule in the graph.

**Examples** DISPLAY:SEM:WINDOW:TRACE:GRATICULE:GRID:STATE OFF turns off the graticule in the graph.

## DISPlay:SEM:X[:SCALE]:AUTO (No Query Form)

Rescales the horizontal scale automatically to fit the waveform in the Spectral Emissions Mask view.

**Conditions** Measurement views: Spectral Emissions Mask

**Group** Display commands

**Syntax** DISPlay:SEM:X[:SCALE]:AUTO

**Arguments** None

**Examples** DISPLAY:SEM:X[:SCALE]:AUTO rescales the horizontal scale to fit the waveform on the screen.

## DISPlay:SEM:X[:SCALE]:START

Sets or queries the start frequency (left edge) of the Spectral Emissions Mask graph.

**Conditions** Measurement views: Spectral Emissions Mask

**Group** Display commands

**Syntax** DISPlay:SEM:X[:SCALE]:START <value>  
DISPlay:SEM:X[:SCALE]:START?

**Arguments** <value> :: <NRf> specifies the start frequency.

**Examples** DISPLAY:SEM:X[:SCALE]:START 10HZ sets the start frequency to 10 Hz in the graph.

## DISPlay:SEM:X[:SCALE]:STOP

Sets or queries the stop frequency (right edge) of the Spectral Emissions Mask graph.

**Conditions** Measurement views: Spectral Emissions Mask

**Group** Display commands

**Syntax** DISPlay:SEM:X[:SCALE]:STOP <value>  
DISPlay:SEM:X[:SCALE]:STOP?

**Arguments** <value> :: <NRf> specifies the start frequency.

**Examples** DISPLAY:SEM:X[:SCALE]:STOP 2GHZ sets the stop frequency to 2 GHz in the graph.

## DISPlay:SEM:Y[:SCALE]

Sets or queries the vertical range of the Spectral Emissions Mask view.

**Conditions** Measurement views: Spectral Emissions Mask

**Group** Display commands

**Syntax** DISPlay:SEM:Y[:SCALE] <value>  
DISPlay:SEM:Y[:SCALE]?

**Arguments** <value>::= <NRf> specifies the vertical scale.

**Examples** DISPLAY:SEM:Y[:SCALE] 200 sets the vertical scale to 200 MHz.

## DISPlay:SEM:Y[:SCALE]:AUTO (No Query Form)

Rescales the vertical scale automatically to fit the waveform in the Spectral Emissions Mask view.

**Conditions** Measurement views: Spectral Emissions Mask

**Group** Display commands

**Syntax** DISPlay:SEM:Y[:SCALE]:AUTO

**Arguments** None

**Examples** DISPLAY:SEM:Y[:SCALE]:AUTO rescales the vertical scale to fit the waveform on the screen.

## DISPlay:SEM:Y[:SCALE]:OFFSet

Sets or queries the vertical offset in the Spectral Emissions Mask view.

**Conditions** Measurement views: Spectral Emissions Mask

---

<b>Group</b>	Display commands
<b>Syntax</b>	DISPlay:SEM:Y[:SCALE]:OFFSet <value> DISPlay:SEM:Y[:SCALE]:OFFSet?
<b>Arguments</b>	<value> ::= <NRf> specifies the horizontal range.
<b>Examples</b>	DISPLAY:SEM:Y[:SCALE]:OFFSET 40 sets the vertical position to 40 dBm.

## DISPlay:SGRAM:MARKer:SHOW:STATe

Sets or queries the display of the Marker legend in the Spectrogram graph.

<b>Conditions</b>	Measurement views: Spectrogram
<b>Group</b>	Display commands
<b>Syntax</b>	DISPlay:SGRAM:MARKer:SHOW:STATe DISPlay:SGRAM:MARKer:SHOW:STATe?
<b>Arguments</b>	OFF or 0 removes or turns off the Marker legend. ON or 1 displays or turns on the Marker legend.
<b>Examples</b>	DISPLAY:SGRAM:MARKER:SHOW:STATE ON turns on the display of the Marker legend in the spectrogram graph.

## DISPlay:SGRAM:SELEcted:TIMestamp

Sets or queries the display of the time stamp in the Spectrogram graph.

<b>Conditions</b>	Measurement views: Spectrogram
<b>Group</b>	Display commands
<b>Syntax</b>	DISPlay:SGRAM:SELEcted:TIMestamp DISPlay:SGRAM:SELEcted:TIMestamp?

**Arguments** OFF or 0 removes or turns off the time stamp.  
ON or 1 displays or turns on the time stamp.

**Examples** DISPLAY:SGRAM:SELECTED:TIMESTAMP? queries the display status of the time stamp in the spectrogram graph.

## DISPlay:SGRam:TIME:AUTO (No Query Form)

Rescales the vertical axis automatically to fit the graph to the screen in the spectrogram view.

**Conditions** Measurement views: Spectrogram

**Group** Display commands

**Syntax** DISPlay:SGRam:TIME:AUTO

**Arguments** None

**Examples** DISPLAY:SGRAM:TIME:AUTO rescales the vertical scale automatically to fit the waveform to the screen.

## DISPlay:SGRam:TIME:OFFSet

Sets or queries the vertical axis (time) offset (bottom line number) in the spectrogram.

**Conditions** Measurement views: Spectrogram

**Group** Display commands

**Syntax** DISPlay:SGRam:TIME:OFFSet <value>  
DISPlay:SGRam:TIME:OFFSet?

**Related Commands** [DISPlay:SGRam:TIME:SCAle](#)



**Arguments** <value> :: <Nrf> specifies the time offset.  
Range: Line #0 to 125000. Zero (0) represents the latest line.

**Examples** DISPLAY:SGRAM:TIME:OFFSET15 sets the time offset to Line #15.

## DISPlay:SGRam:TIME:OFFSet:DIVisions

Sets or queries the Vertical offset or Position in divisions.

**Conditions** Measurement views: Spectrogram

**Group** Display commands

**Syntax** DISPlay:SGRam:TIME:OFFSet:DIVisions <value>  
DISPlay:SGRam:TIME:OFFSet:DIVisions?

**Arguments** <value> :: <Nrf> sets the vertical offset value in divisions. Range is -130,000 to +130,000.

**Examples** DISPLAY:SGRAM:TIME:OFFSET:DIVISIONS 10 sets the vertical offset to 10 divisions

## DISPlay:SGRam:TIME:SCALE

---

**NOTE.** *The user interface on the instrument no longer presents this setting. However, the command is still function. Setting this value will change the TIME:PER:DIVision value.*

---

Sets or queries the vertical scale (the amount of time in each line) in the spectrogram. The vertical axis is composed of successive spectral displays. The new spectra can be added at a timed rate specified by this command. For example, if you set the scale to -5, one line is displayed every 5 spectra.

**Conditions** Measurement views: Spectrogram

**Group** Display commands

**Syntax**     `DISPly:SGRam:TIME:SCALE <value>`  
`DISPly:SGRam:TIME:SCALE?`

**Related Commands**     [DISPly:SGRam:TIME:OFFSet](#)

**Arguments**     `<value> :: <NR1>` specifies the vertical scale.  
 Range: -1023 to 0. Zero (0) displays every spectrum.

**Examples**     `DISPLAY:SGRAM:TIME:SCALE-5` displays one line every 5 spectra in the spectrogram.

## DISPly:SGRam:TIME:OVERlap:PERCent

Sets or queries the Overlap in percent. Note that changing this value may change the time per division [DISPly:SGRam:TIME:SCALE:PER:DIVision](#) value.

**Conditions**     Measurement views: Spectrogram

**Group**     Display commands

**Syntax**     `DISPly:SGRam:TIME:OVERlap:PERCent`  
`DISPly:SGRam:TIME:OVERlap:PERCent`

**Arguments**     `<value> :: <NRf>` specifies the overlap in percent.

**Examples**     `DISPLAY:SGRAM:TIME:OVERLAP:PERCENT 1.0E1` sets the overlap to 10%.

## DISPly:SGRam:TIME:SCALE:PER:DIVision

Sets or queries the vertical Time/division value. Note that changing this value may change the [DISPly:SGRam:TIME:OVERlap:PERCent](#) value.

**Conditions**     Measurement views: Spectrogram

**Group**     Display commands

**Syntax**     `DISPlay:SGRam:TIME:SCALE:PER:DIVision <value>`  
`DISPlay:SGRam:TIME:SCALE:PER:DIVision?`

**Related Commands**     [DISPlay:SGRam:TIME:OVERlap:PERCent](#)

**Arguments**     `<value> :: <Nrf>` specifies the time per division in seconds.

**Examples**     `DISPlay:SGRam:TIME:SCALE:PER:DIVision?` might return  
1.116000000E-3.

## DISPlay:SGRam:TIME:SPECTrums:PERLine? (Query Only)

Queries the Spectrums/Line value.

**Conditions**     Measurement views: Spectrogram

**Group**     Display commands

**Syntax**     `DISPlay:SGRam:TIME:SPECTrums:PERLine?`

**Examples**     `DISPlay:SGRam:TIME:SPECTrums:PERLine?` might return a 1.000000000  
as a response.

## DISPlay:SPECTrum:FREQuency:AUTO (No Query Form)

Rescales the horizontal axis automatically to fit the waveform to the screen in the spectrum view.

**Conditions**     Measurement views: Spectrum

**Group**     Display commands

**Syntax**     `DISPlay:SPECTrum:FREQuency:AUTO`

**Arguments**     None

**Examples**     `DISPLAY:SPECTRUM:FREQUENCY:AUTO` rescales the horizontal scale automatically to fit the waveform to the screen.

## DISPlay:SPECTrum:FREQuency:OFFSet

Sets or queries the frequency offset (the value at the center of the horizontal axis) in the spectrum graph.

**Conditions**     Measurement views: Spectrum

**Group**            Display commands

**Syntax**           `DISPly:SPECTrum:FREQuency:OFFSet <value>`  
`DISPly:SPECTrum:FREQuency:OFFSet?`

**Related Commands**     [DISPlay:SPECTrum:FREQuency\[:SCAlE\]](#)

**Arguments**       `<value> :: <Nrf>` specifies the frequency offset.  
 Range: [(center frequency) - (X scale) × 0.9] to [(center frequency) + (X scale) × 0.9]

**Examples**        `DISPLAY:SPECTRUM:FREQUENCY:OFFSET1.45GHZ` sets the frequency offset to 1.45 GHz in the spectrum.

## DISPlay:SPECTrum:FREQuency[:SCAlE]

Sets or queries the horizontal range of the spectrum graph.

**Conditions**        Measurement views: Spectrum

**Group**            Display commands

**Syntax**           `DISPly:SPECTrum:FREQuency[:SCAlE] <value>`  
`DISPly:SPECTrum:FREQuency[:SCAlE]?`

**Related Commands**     [DISPlay:SPECTrum:FREQuency:OFFSet](#)

**Arguments** <value> :: <Nrf> specifies the horizontal range.  
Range: 10 Hz to 6.2 GHz (RSA6106A) / 14 GHz (RSA6114A).

**Examples** DISPLAY:SPECTRUM:FREQUENCY:SCALE 10MHZ sets the horizontal range to 10 MHz.

## DISPlay:SPECTrum:MARKer:NOISe:MODE

Determines whether to enable or disable the marker noise mode in the spectrum view. In this mode, the marker readout indicates amplitude in dBm/Hz. It is valid for all markers except for the reference marker.

---

**NOTE.** To use the marker noise mode, select dBm as the power unit by the [SENSe]:POWer:UNITs command.

---

**Conditions** Measurement views: Spectrum

**Group** Display commands

**Syntax** DISPlay:SPECTrum:MARKer:NOISe:MODE { OFF | ON | 0 | 1 }  
DISPlay:SPECTrum:MARKer:NOISe:MODE?

**Related Commands** [\[SENSe\]:POWer:UNITs](#)

**Arguments** OFF or 0 disables the marker noise mode.  
ON or 1 enables the marker noise mode.

**Examples** DISPLAY:SPECTRUM:MARKER:NOISE:MODE ON enables the marker noise mode.

## DISPlay:SPECTrum:SCALe:LOG:STATe

Determines whether or not to set the horizontal axis logarithmic in the Spectrum view.

**Conditions** Measurement views: Spectrum

**Group** Display commands

**Syntax**     `DISPLay:SPECTrum:SCALE:LOG:STATE { OFF | ON | 0 | 1 }`  
`DISPLay:SPECTrum:SCALE:LOG:STATE?`

**Related Commands**     [DISP<sub>L</sub>ay:SPECT<sub>r</sub>um:X:LABel](#)

**Arguments**     OFF or 0 sets the horizontal axis linear (default).  
                       ON or 1 sets the horizontal axis logarithmic.  
                       Executing `DISPLay:SPECTrum:SCALE:LOG:STATe ON` sets  
`DISPLay:SPECTrum:X:LABel SSFReq`.

**Examples**     `DISPLay:SPECTrum:SCALE:LOG:STATE ON` sets the horizontal axis logarithmic  
 in the Spectrum view.

## DISP<sub>L</sub>ay:SPECT<sub>r</sub>um:WINDow:TRACe:GRATICule:GRID:STATe

Determines whether to show or hide the graticule grid on the screen.

**Conditions**     Measurement views: Spectrum

**Group**     Display commands

**Syntax**     `DISPLay:SPECTrum:WINDow:TRACe:GRATICule:GRID:STATE { OFF |`  
`ON | 0 | 1 }`  
`DISPLay:SPECTrum:WINDow:TRACe:GRATICule:GRID:STATE?`

**Arguments**     OFF or 0 hides the graticule grid.  
                       ON or 1 shows the graticule grid.

**Examples**     `DISPLay:SPECTrum:WINDow:TRACe:GRATICule:GRID:STATE ON` shows the  
 graticule grid on the screen in the spectrum measurement.

## DISP<sub>L</sub>ay:SPECT<sub>r</sub>um:WINDow:TRACe:LEGend:STATe

Determines whether to show or hide the trace legend in the Spectrum view. The legend indicates the trace detection and function on the screen for each displayed spectrum trace.

<b>Conditions</b>	Measurement views: Spectrum
<b>Group</b>	Display commands
<b>Syntax</b>	DISP <code>l</code> ay:SPECTrum:WINDow:TRACe:LEGEnd:STATE { OFF   ON   0   1 } DISP <code>l</code> ay:SPECTrum:WINDow:TRACe:LEGEnd:STATE?
<b>Arguments</b>	OFF or 0 hides the trace legend. ON or 1 shows the trace legend.
<b>Examples</b>	DISP <code>l</code> AY:SPECTRUM:WINDOW:TRACE:LEGEND:STATE ON shows the trace legend on the screen in the spectrum measurement.

## DISP`l`ay:SPECTrum:X:LABe`l`

Sets or queries the labels for the horizontal (X) axis in the Spectrum view. The labels are indicated beneath the spectrum graph on the screen.

<b>Conditions</b>	Measurement views: Spectrum
<b>Group</b>	Display commands
<b>Syntax</b>	DISP <code>l</code> ay:SPECTrum:X:LABe <code>l</code> { SSFReq   CFSPan } DISP <code>l</code> ay:SPECTrum:X:LABe <code>l</code> ?
<b>Arguments</b>	SSFReq sets the labels to the start and stop frequencies. CFSPan sets the labels to the center frequency and span.
<b>Examples</b>	DISP <code>l</code> AY:SPECTRUM:X:LABELSSFReq sets the labels to the start and stop frequencies for the horizontal axis in the Spectrum view.

## DISP`l`ay:SPECTrum:Y[:SCALe]

Sets or queries the vertical range of the spectrum graph.

<b>Conditions</b>	Measurement views: Spectrum
-------------------	-----------------------------

<b>Group</b>	Display commands
<b>Syntax</b>	DISP <code>l</code> ay:SPECT <code>r</code> um:Y[:SCALE] <value> DISP <code>l</code> ay:SPECT <code>r</code> um:Y[:SCALE]?
<b>Arguments</b>	<value> :: <NRF> specifies the vertical range. Range: 0.1 to 200 dB. The amplitude unit is set by the [SENSE]:POWER:UNITS command.  You can omit the unit in the argument. When you include the unit in the argument, only dB is available. For the amplitude units Watts, Volts, and Amps, omit the unit in the argument.
<b>Examples</b>	DISP <code>l</code> ay:SPECT <code>r</code> um:Y:SCALE 50dB sets the vertical range to 50 dB in the Spectrum view.

## DISP`l`ay:SPECT`r`um:Y[:SCALE]:AUTO (No Query Form)

Rescales the vertical axis automatically to fit the waveform to the screen in the Spectrum view.

<b>Conditions</b>	Measurement views: Spectrum
<b>Group</b>	Display commands
<b>Syntax</b>	DISP <code>l</code> ay:SPECT <code>r</code> um:Y[:SCALE]:AUTO
<b>Arguments</b>	None
<b>Examples</b>	DISP <code>l</code> ay:SPECT <code>r</code> um:Y:SCALE:AUTO rescales the vertical scale automatically to fit the waveform to the screen.

## DISP`l`ay:SPECT`r`um:Y[:SCALE]:OFFSet

Sets or queries the vertical offset (the value at the top edge of the vertical axis) of the spectrum graph.

<b>Conditions</b>	Measurement views: Spectrum
-------------------	-----------------------------



<b>Group</b>	Display commands
<b>Syntax</b>	DISP <code>l</code> ay:SPECT <code>r</code> um:Y[:SCALE]:OFFSet <value> DISP <code>l</code> ay:SPECT <code>r</code> um:Y[:SCALE]:OFFSet?
<b>Arguments</b>	<value> :: <NRF> specifies the vertical offset. Range: -270 to +150 dBm. The amplitude unit is set by the [SENSe]:POWer:UNITs command (default: dBm).  You can omit the unit in the argument. When you include the unit in the argument, only dBm is allowed. For the other amplitude units, omit the unit in the argument.
<b>Examples</b>	DISP <code>l</code> ay:SPECT <code>r</code> um:Y:SCALE:OFFSet -12.5dBm sets the vertical offset to -12.5 dBm.

## DISP`l`ay:SPECT`r`um:Y[:SCALE]:PDIVision

Sets or queries the vertical scale (per division) of the spectrum graph.

<b>Conditions</b>	Measurement views: Spectrum
<b>Group</b>	Display commands
<b>Syntax</b>	DISP <code>l</code> ay:SPECT <code>r</code> um:Y[:SCALE]:PDIVision <value> DISP <code>l</code> ay:SPECT <code>r</code> um:Y[:SCALE]:PDIVision?
<b>Related Commands</b>	[SENSe]:POWer:UNITs
<b>Arguments</b>	<value> :: <NRF> specifies the vertical scale (per division). Range: 0.01 to 20 dB/div.
<b>Examples</b>	SENSE:SPECTRUM:Y:SCALE:PDIVISION 0.5 sets the vertical scale to 0.5 dB/div.

## DISP`l`ay:SPECT`r`um:Y[:SCALE]:RESet (No Query Form)

Resets the vertical scale of the spectrum graph to the default values:  
Vertical offset = Reference level and Vertical scale = 100 dB

<b>Conditions</b>	Measurement views: Spectrum
<b>Group</b>	Display commands
<b>Syntax</b>	DISPlay:SPECTrum:Y[:SCALE]:RESet
<b>Arguments</b>	None
<b>Examples</b>	DISPLAY:SPECTRUM:Y:SCALE:RESET resets the vertical scale to the default values in the Spectrum view.

## DISPlay:SPURious:MARKer:SHOW:STATe

Determines whether to show or hide the readout for the selected marker in the Spurious view.

<b>Conditions</b>	Measurement views: Spurious
<b>Group</b>	Display commands
<b>Syntax</b>	DISPlay:SPURious:MARKer:SHOW:STATe { OFF   ON   0   1 } DISPlay:SPURious:MARKer:SHOW:STATe?
<b>Arguments</b>	OFF or 0 hides the readout for the selected marker in the graph. ON or 1 shows the readout for the selected marker in the graph.
<b>Examples</b>	DISPLAY:SPURIOUS:MARKER:SHOW:STATE ON shows the readout for the selected marker in the graph.

## DISPlay:SPURious:RESet:SCALE (No Query Form)

Resets the horizontal and vertical scale to the default values described below in the Spurious view.

Vertical offset = 0 dBm,  
 Vertical scale = 100 dB,  
 Horizontal offset = Center frequency, and  
 Horizontal scale = Default span

<b>Conditions</b>	Measurement views: Spurious
<b>Group</b>	Display commands
<b>Syntax</b>	<code>DISPlay:SPURious:RESet:SCALE</code>
<b>Arguments</b>	None
<b>Examples</b>	<code>DISPlay:SPURIOUS:RESET:SCALE</code> resets the horizontal and vertical scale to the default values.

## **DISPlay:SPURious:SCALE:LOG:STATE**

Determines whether or not to set the horizontal axis logarithmic in the Spurious view.

<b>Conditions</b>	Measurement views: Spurious
<b>Group</b>	Display commands
<b>Syntax</b>	<code>DISPlay:SPURious:SCALE:LOG:STATE { OFF   ON   0   1 }</code> <code>DISPlay:SPURious:SCALE:LOG:STATE?</code>
<b>Arguments</b>	OFF or 0 sets the horizontal axis linear (default). ON or 1 sets the horizontal axis logarithmic.
<b>Examples</b>	<code>DISPlay:SPURIOUS:SCALE:LOG:STATE ON</code> sets the horizontal axis logarithmic in the Spurious view.

## **DISPlay:SPURious:SElect:NUMBER**

Sets or queries the spurious number in the Spurious view.

<b>Conditions</b>	Measurement views: Spurious
<b>Group</b>	Display commands

**Syntax**     `DISPlay:SPURious:SElect:NUMBer <number>`  
`DISPlay:SPURious:SElect:NUMBer?`

**Arguments**     `<number>` :: `<NR1>` specifies the spurious number.  
 Range: 1 to the number of spurious signals.  
 Use the `FEtCh:SPURious:COUnT?` or `READ:SPURious:COUnT?` query to get the number of spurious signals.

**Examples**     `DISPLAY:SPURIOUS:SELECT:NUMBER7` selects the spurious #7.

## DISPlay:SPURious:SHOW:LIMit

Sets or queries how to display the limits.

**Conditions**     Measurement views: Spurious

**Group**     Display commands

**Syntax**     `DISPlay:SPURious:SHOW:LIMit { SHADEd | LINE | OFF }`  
`DISPlay:SPURious:SHOW:LIMit?`

**Arguments**     `SHADEd` displays the limits with shade.  
`LINE` displays the limits with line only.  
`OFF` hides the limits.

**Examples**     `DISPLAY:SPURIOUS:SHOW:LIMITLINE` displays the limits with line only.

## DISPlay:SPURious:WINDow:TRACe:GRATICule:GRID:STATe

Determines whether to show or hide the graticule grid on the screen.

**Conditions**     Measurement views: Spurious

**Group**     Display commands

<b>Syntax</b>	DISP <code>l</code> ay:SPURious:WINDow:TRACe:GRATICule:GRID:STATe { OFF   ON   0   1 } DISP <code>l</code> ay:SPURious:WINDow:TRACe:GRATICule:GRID:STATe?
<b>Arguments</b>	OFF or 0 hides the graticule grid. ON or 1 shows the graticule grid.
<b>Examples</b>	DISP <code>l</code> AY:SPURIOUS:WINDOW:TRACE:GRATICULE:GRID:STATE ON shows the graticule grid on the screen.

## DISP`l`ay:SPURious:X[:SCALE]:AUTO (No Query Form)

Rescales the horizontal axis automatically to fit the waveform to the screen in the Spurious view.

<b>Conditions</b>	Measurement views: Spurious
<b>Group</b>	Display commands
<b>Syntax</b>	DISP <code>l</code> ay:SPURious:X[:SCALE]:AUTO
<b>Arguments</b>	None
<b>Examples</b>	DISP <code>l</code> AY:SPURIOUS:X:SCALE:AUTO rescales the horizontal scale automatically to fit the waveform to the screen.

## DISP`l`ay:SPURious:X[:SCALE]:START

Sets or queries the minimum horizontal value (left edge) of the spectrum graph in the Spurious view.

<b>Conditions</b>	Measurement views: Spurious
<b>Group</b>	Display commands
<b>Syntax</b>	DISP <code>l</code> ay:SPURious:X[:SCALE]:START <value> DISP <code>l</code> ay:SPURious:X[:SCALE]:START?

**Arguments** <value> :: <Nrf> specifies the minimum horizontal value.  
Range: 0 Hz to 6.2 GHz (RSA6106A) / 14 GHz (RSA6114A).

**Examples** DISPLAY:SPURIOUS:X:SCALE:START 1.61GHZ sets the minimum horizontal value to 1.61 GHz in the spectrum graph.

## DISPlay:SPURious:X[:SCALE]:STOP

Sets or queries the maximum horizontal value (right edge) of the spectrum graph in the Spurious view.

**Conditions** Measurement views: Spurious

**Group** Display commands

**Syntax** DISPlay:SPURious:X[:SCALE]:STOP <value>  
DISPlay:SPURious:X[:SCALE]:STOP?

**Arguments** <value> :: <Nrf> specifies the minimum horizontal value.  
Range: 0 Hz to 6.2 GHz (RSA6106A) / 14 GHz (RSA6114A).

**Examples** DISPLAY:SPURIOUS:X:SCALE:STOP 2.16GHZ sets the maximum horizontal value to 2.16 GHz in the spectrum graph.

## DISPlay:SPURious:Y[:SCALE]

Sets or queries the vertical range of the spectrum graph in the Spurious view.

**Conditions** Measurement views: Spurious

**Group** Display commands

**Syntax** DISPlay:SPURious:Y[:SCALE] <value>  
DISPlay:SPURious:Y[:SCALE]?

**Arguments** <value> :: <Nrf> specifies the vertical range. Range: 0.1 to 200 dB.  
The unit can be changed by the [SENSE]:POWER:UNITs command.

**Examples** `DISPLAY:SPURIOUS:Y:SCALE 100` sets the vertical range to 100 dB in the Spurious view.

## DISPlay:SPURious:Y[:SCALe]:AUTO (No Query Form)

Rescales the vertical axis automatically to fit the waveform to the screen in the Spurious view.

**Conditions** Measurement views: Spurious

**Group** Display commands

**Syntax** `DISPlay:SPURious:Y[:SCALe]:AUTO`

**Arguments** None

**Examples** `DISPLAY:SPURIOUS:Y:SCALE:AUTO` rescales the vertical scale automatically to fit the waveform to the screen.

## DISPlay:SPURious:Y[:SCALe]:OFFSet

Sets or queries the vertical offset (the value at the top edge of the vertical axis) of the spectrum graph in the Spurious view.

**Conditions** Measurement views: Spurious

**Group** Display commands

**Syntax** `DISPlay:SPURious:Y[:SCALe]:OFFSet <value>`  
`DISPlay:SPURious:Y[:SCALe]:OFFSet?`

**Arguments** `<value> :: <Nrf>` specifies the vertical offset. Range: -270 to +150 dBm. The unit can be changed by the [\[SENSe\]:POWer:UNITs](#) command.

**Examples** `DISPLAY:SPURIOUS:Y:SCALE:OFFSET -12.5` sets the vertical offset to -12.5 dBm in the spectrum graph.

## DISPlay:TDIagram:WINDow:TRACe:GRATICule:GRID:STATE

Determines whether to show or hide the graticule grid on the screen.

**Conditions** Measurement views: Trellis diagram

**Group** Display commands

**Syntax** DISPlay:TDIagram:WINDow:TRACe:GRATICule:GRID:STATE { OFF | ON | 0 | 1 }  
DISPlay:TDIagram:WINDow:TRACe:GRATICule:GRID:STATE?

**Arguments** OFF or 0 hides the graticule grid.  
ON or 1 shows the graticule grid.

**Examples** DISPLAY:TDIAGRAM:WINDOW:TRACE:GRATICULE:GRID:STATE ON shows the graticule grid on the screen in the trellis diagram.

## DISPlay:TDIagram:Y[:SCALE]

Sets or queries the vertical range of the trellis diagram.

**Conditions** Measurement views: Trellis diagram

**Group** Display commands

**Syntax** DISPlay:TDIagram:Y[:SCALE] <value>  
DISPlay:TDIagram:Y[:SCALE]?

**Arguments** <value> :: <NRF> specifies the vertical range. Range: 1 ° to 1 T°.

**Examples** DISPLAY:TDIAGRAM:Y:SCALE 2.5 sets the vertical range to 2.5 ° in the trellis diagram.



## DISPlay:TDiagram:Y[:SCALE]:AUTO (No Query Form)

Sets the vertical scale automatically to fit the waveform to the screen in the trellis diagram.

**Conditions** Measurement views: Trellis diagram

**Group** Display commands

**Syntax** DISPlay:TDiagram:Y[:SCALE]:AUTO

**Arguments** None

**Examples** DISPLAY:TDiagram:Y:SCALE:AUTO sets the vertical scale automatically to fit the waveform to the screen.

## DISPlay:TDiagram:Y[:SCALE]:OFFSet

Sets or queries the vertical offset (center point of the vertical axis) of the Trellis diagram.

**Conditions** Measurement views: Trellis diagram

**Group** Display commands

**Syntax** DISPlay:TDiagram:Y[:SCALE]:OFFSet <value>  
DISPlay:TDiagram:Y[:SCALE]:OFFSet?

**Arguments** <value> :: <NRF> specifies the vertical offset. Range: -1 T° to +1 T°.

**Examples** DISPLAY:TDiagram:Y:SCALE:OFFSET -28.5 sets the vertical offset to -28.5 ° in the Trellis diagram.

## DISPlay:TOVerview:WINDow:TRACe:GRATICule:GRID:STATE

Determines whether to show or hide the graticule grid on the screen.

<b>Conditions</b>	Measurement views: Time overview
<b>Group</b>	Display commands
<b>Syntax</b>	DISPlay:TOVerview:WINDow:TRACe:GRATICule:GRID:STATE { OFF   ON   0   1 } DISPlay:TOVerview:WINDow:TRACe:GRATICule:GRID:STATE?
<b>Arguments</b>	OFF or 0 hides the graticule grid. ON or 1 shows the graticule grid.
<b>Examples</b>	DISPLAY:TOVERVIEW:WINDOW:TRACE:GRATICULE:GRID:STATE ON shows the graticule grid on the screen in the time overview.

## DISPlay:TOVerview:X[:SCALE]

Sets or queries the horizontal scale (full-scale time) of the time overview.

<b>Conditions</b>	Measurement views: Time overview
<b>Group</b>	Display commands
<b>Syntax</b>	DISPlay:TOVerview:X[:SCALE] <value> DISPlay:TOVerview:X[:SCALE]?
<b>Related Commands</b>	<a href="#">DISPlay:TOVerview:X[:SCALE]:OFFSet</a>
<b>Arguments</b>	<value> :: <Nrf> specifies the horizontal scale in full-scale time. Range: 10 ns to the acquisition memory capacity.  You can see the acquisition memory capacity using the <a href="#">[SENSe]:ACQuisition:MEMory:CAPacity[:TIME]?</a> query.
<b>Examples</b>	DISPLAY:TOVERVIEW:X:SCALE 12.5us sets the horizontal scale to 12.5 $\mu$ s.

## DISPlay:TOVerview:X[:SCALe]:AUTO (No Query Form)

Sets the horizontal scale and offset automatically to fit the waveform to the screen in the time overview.

**Conditions** Measurement views: Time overview

**Group** Display commands

**Syntax** DISPlay:TOVerview:X[:SCALe]:AUTO

**Arguments** None

**Examples** DISPLAY:TOVERVIEW:X:SCALE:AUTO sets the horizontal scale and offset automatically to fit the waveform to the screen.

## DISPlay:TOVerview:X[:SCALe]:OFFSet

Sets or queries the minimum horizontal value (left edge) of the time overview.

**Conditions** Measurement views: Time overview

**Group** Display commands

**Syntax** DISPlay:TOVerview:X[:SCALe]:OFFSet <value>  
DISPlay:TOVerview:X[:SCALe]:OFFSet?

**Related Commands** [DISPlay:TOVerview:X\[:SCALe\]](#)

**Arguments** <value> :: <Nrf> specifies the minimum horizontal value.  
Range: [(analysis offset) - (X scale) × 0.9] to [(analysis offset) + (analysis length) - (X scale) × 0.1]

**Examples** DISPLAY:TOVERVIEW:X:SCALE:OFFSET 800ns sets the minimum horizontal value to 800 ns in the time overview.

## DISPlay:TOVerview:Y[:SCALe]

Sets or queries the vertical range of the time overview.

**Conditions** Measurement views: Time overview

**Group** Display commands

**Syntax** DISPlay:TOVerview:Y[:SCALe] <value>  
DISPlay:TOVerview:Y[:SCALe]?

**Related Commands** [DISPlay:TOVerview:Y\[:SCALe\]:OFFSet](#)

**Arguments** <value> :: <NRF> specifies the vertical range. Range: 0.1 to 200 dB.

**Examples** DISPLAY:TOVERVIEW:Y:SCALE 50 sets the vertical range to 50 dBm in the time overview.

## DISPlay:TOVerview:Y[:SCALe]:AUTO (No Query Form)

Sets the vertical scale and offset automatically to fit the waveform to the screen in the time overview.

**Conditions** Measurement views: Time overview

**Group** Display commands

**Syntax** DISPlay:TOVerview:Y[:SCALe]:AUTO

**Arguments** None

**Examples** DISPLAY:TOVERVIEW:Y:SCALE:AUTO sets the vertical scale and offset automatically to fit the waveform to the screen.

## DISPlay:TOVerview:Y[:SCALE]:OFFSet

Sets or queries the vertical offset (the value at the top edge of the vertical axis) in the time overview.

**Conditions** Measurement views: Time overview

**Group** Display commands

**Syntax** DISPlay:TOVerview:Y[:SCALE]:OFFSet <value>  
DISPlay:TOVerview:Y[:SCALE]:OFFSet?

**Related Commands** [DISPlay:TOVerview:Y\[:SCALE\]](#)

**Arguments** <value> :: <Nrf> specifies the vertical offset. Range: -170 to +50 dBm.

**Examples** DISPLAY:TOVERVIEW:Y:SCALE:OFFSET -80 sets the vertical offset to -80 dBm in the time overview.

## DISPlay:TOVerview:Y[:SCALE]:RESCale (No Query Form)

Sets the vertical scale automatically to fit the waveform to the screen in the time overview.

**Conditions** Measurement views: Time overview

**Group** Display commands

**Syntax** DISPlay:TOVerview:Y[:SCALE]:RESCale

**Arguments** None

**Examples** DISPLAY:TOVERVIEW:Y:SCALE:RESCALE sets the vertical scale automatically to fit the waveform to the screen.

## DISPlay:WINDow:ACTive:MEASurement? (Query Only)

Queries the active measurement views.

<b>Conditions</b>	Measurement views: All
<b>Group</b>	Display commands
<b>Syntax</b>	DISPlay:WINDow:ACTive:MEASurement?
<b>Arguments</b>	None
<b>Returns</b>	<view1>,<view2>,...,<view(n)>

Where  
 <view(n)> :: <string> is the view name as shown in the following table.

**Table 2-33: Measurement view mnemonic**

Return value	Measurement view	Display group
"SPEC	Spectrum	General signal viewing
"DPX"	DPX (Digital Phosphor) spectrum	
"MAGVT"	Amplitude versus Time	
"ACP"	Channel power and ACPR	
"FVT"	Frequency versus Time	
"PHVT"	Phase versus Time	
"IQVT"	RF I&Q versus Time	
"SGRam"	Spectrogram	
"TOV"	Time overview	
"AM"	Amplitude modulation	
"FM"	Frequency modulation	
"PM"	Phase modulation	

Table 2-33: Measurement view mnemonic (cont.)

Return value	Measurement view	Display group
"CONS"	Constellation	General purpose digital modulation
"DIQV"	Demodulated I&Q versus Time	
"EDI"	Eye Diagram	
"EVM"	EVM versus Time	
"FVDT"	Frequency deviation versus Time	
"MERR"	Magnitude error versus Time	
"PERR"	Phase error versus Time	
"SIGN"	Signal quality	
"STAB"	Symbol table	
"TDI"	Trellis Diagram	
"CCDF"	CCDF	RF measurements
"MCP"	MCP (Multiple Carrier Power Ratio)	
"OBW"	Occupied bandwidth	
"PNO"	Phase noise	
"SPUR"	Spurious	
"STAT"	Pulse statistics	Pulsed RF
"RES"	Pulse table (results table)	
"TRAC"	Pulse trace	

**Examples** `DISPLAY:WINDOW:ACTIVE:MEASUREMENT?` might return "SPEC", "TRAC", indicating that the views of spectrum and pulse trace are displayed on the screen.

## DISPlay:WINDow:COLor:SCHEME

Sets or queries the color scheme for displaying traces and background on the screen.

**Conditions** Measurement views: All

**Group** Display commands

**Syntax** `DISPlay:WINDow:COLor:SCHEME { THUNDERstorm | BLIZZard | CLASSic }`  
`DISPlay:WINDow:COLor:SCHEME?`

- Arguments** THUNDERstorm displays the background in dark blue.
- BLIZZard displays the background in white. It saves ink when printing the screen image.
- CLASSic displays the background in black (default).
- Examples** DISPLAY:WINDOW:COLOR:SCHEMEBLIZZard displays the background in white.

## DISPlay:WINDow:OPTimized:MEASurement? (Query Only)

Queries the measurement views that are optimized. "Optimized" means that there is a perfect match between the view's settings and the actual acquisition parameters to meet the specifications. When multiple measurements are running at one time, the measurements can have different requirements for setting the acquisition hardware. You can make a measurement optimized by selecting it using the following commands:

- [DISPlay:GENeral:MEASview:SElect](#) for the general signal viewing
- [DISPlay:DDEMod:MEASview:SElect](#) for the digital modulation views
- [DISPlay:GPRF:MEASview:SElect](#) for the RF measurement views
- [DISPlay:PULSe:MEASview:SElect](#) for the pulsed RF measurement views

- Conditions** Measurement views: All
- Group** Display commands
- Syntax** DISPlay:WINDow:OPTimized:MEASurement?
- Arguments** None
- Returns** <view1>,<view2>,...,<view(n)>
- Where  
 <view(n)> :: <string> is the view name as shown in the table. (See Table 2-33 on page 2-460.)
- Examples** DISPLAY:WINDOW:OPTIMIZED:MEASUREMENT? might return "SPEC", "MCP", indicating that the views of spectrum and MCPR are optimized.



**\*ESE**

Sets or queries the bits in the Event Status Enable Register (ESER). The ESER prevents events from being reported to the Status Byte Register (STB). Refer to Section 3, *Status and Events*, for the register information.

**Conditions** Measurement views: All

**Group** IEEE common commands

**Syntax** \*ESE <value>  
\*ESE?

**Related Commands** \*CLS, \*ESR?, \*SRE, \*STB?

**Arguments** <value> :: <NR1> is a value in the range from 0 through 255. The binary bits of the ESER are set according to this value.

**Examples** \*ESE 145 sets the ESER to binary 10010001, which enables the PON, EXE, and OPC bits.

\*ESE? might return the string \*ESE 184, showing that the ESER contains the binary value 10111000.

**\*ESR? (Query Only)**

Returns the contents of the Standard Event Status Register (SESR). \*ESR? also clears the SESR (since reading the SESR clears it). Refer to Section 3, *Status and Events*, for the register information.

**Conditions** Measurement views: All

**Group** IEEE common commands

**Syntax** \*ESR?

**Related Commands** \*CLS, \*ESE, \*SRE, \*STB?

**Arguments** None

**Returns** <NR1> representing the contents of the SESR by a 0 to 255 decimal number.

**Examples** \*ESR? might return the value 213, showing that the SESR contains binary 11010101.

## FETCH:ACPower? (Query Only)

Returns the Channel power and ACPR measurement results for all available channels.

**Conditions** Measurement views: Channel power and ACPR

**Group** Fetch commands

**Syntax** FETCH:ACPower?

**Arguments** None

**Returns** <chan\_power>, <acpr\_lower(1)>, <acpr\_upper(1)>, <acpr\_lower(2)>, <acpr\_upper(2)>, . . . <acpr\_lower(n)>, <acpr\_upper(n)>

Where

<chan\_power> is the average power of the main channel as the power reference in dBm. The unit can be changed by the [SENSe]:POWer:UNITs command.

<acpr\_lower(n)> is the ACPR for the lower channel #n in dB.

<acpr\_upper(n)> is the ACPR for the upper channel #n in dB.

The number of n depends on the setting of the [SENSe]:ACPower:CHANnel:PAIRs command.

**Examples** FETCH:ACPOWER? might return 4.227, -28.420, -23.847, -22.316, -29.225, indicating (average power of the main channel) = 4.227 dBm, (ACPR for the lower channel 1) = -28.420 dB, (ACPR for the upper channel 1) = -23.847 dB, (ACPR for the lower channel 2) = -22.316 dB, and (ACPR for the upper channel 2) = -29.225 dB.

## FETCh:ACPower:CHANnel:POWer? (Query Only)

Returns the average power of the main channel (power reference) in the Channel power and ACPR measurement.

<b>Conditions</b>	Measurement views: Channel power and ACPR
<b>Group</b>	Fetch commands
<b>Syntax</b>	FETCh:ACPower:CHANnel:POWer?
<b>Arguments</b>	None
<b>Returns</b>	<chan_power> :: <NRf> is the average power of the main channel in dBm. The unit can be changed by the <a href="#">[SENSe]:POWer:UNITs</a> command.
<b>Examples</b>	FETCh:ACPower:CHANnel:POWer? might return 4.227, indicating that the average power of the main channel is 4.227 dBm.

## FETCh:ACPower:SPECTrum? (Query Only)

Returns spectrum trace data of the Channel power and ACPR measurement.

<b>Conditions</b>	Measurement views: Channel power and ACPR
<b>Group</b>	Fetch commands
<b>Syntax</b>	FETCh:ACPower:SPECTrum?
<b>Arguments</b>	None
<b>Returns</b>	#<num_digit><num_byte><data(1)><data(2)>...<data(n)> Where <num_digit> is the number of digits in <num_byte>. <num_byte> is the number of bytes of data that follow. <data(n)> is the amplitude in dBm at the n <sup>th</sup> data point, 4-byte little endian floating-point format specified in IEEE 488.2.

The unit can be changed by the `[SENSe]:POWer:UNITs` command.

**Examples** `FETCH:ACPOWER:SPECTRUM?` might return `#43204xxxx...` (3204-byte data) for the spectrum trace data of the Channel power and ACPR measurement.

## `FETCH:{AM|FM|PM}? (Query Only)`

Returns the trace data in the AM/FM/PM measurement.

**Conditions** Measurement views: AM, FM, and PM

**Group** Fetch commands

**Syntax** `FETCH:{AM|FM|PM}?`

**Arguments** None

**Returns** `#<num_digit><num_byte><data(1)><data(2)>...<data(n)>`

Where

`<num_digit>` is the number of digits in `<num_byte>`.

`<num_byte>` is the number of bytes of data that follow.

`<data(n)>` is the modulation factor in percent (AM), frequency deviation in Hz (FM), or phase deviation in degrees (PM) at the  $n^{\text{th}}$  data point, 4-byte little endian floating-point format specified in IEEE 488.2.

**Examples** `FETCH:AM?` might return `#3156xxxx...` (156-byte data) for the AM measurement trace.

## `FETCH:AM:AMINdex? (Query Only)`

Returns the modulation depth which is the (positive peak modulation factor - negative peak modulation factor)/2 returned as a percentage (%).

**Conditions** Measurement views: AM

**Group** Fetch commands

---

<b>Syntax</b>	<code>FETCh:AM:AMIndex?</code>
<b>Arguments</b>	None
<b>Returns</b>	<code>&lt;value&gt; :: &lt;NRf&gt;</code> the modulation index.
<b>Examples</b>	<code>FETCh:AM:AMINDEX?</code> might return <code>77.1854035556E-3</code> , indicating the modulation index is 0.0772% or 77.2 m%.

### **FETCh:AM:AMNegative? (Query Only)**

Returns the negative peak modulation factor (–AM) in the AM measurement.

<b>Conditions</b>	Measurement views: AM
<b>Group</b>	Fetch commands
<b>Syntax</b>	<code>FETCh:AM:AMNegative?</code>
<b>Arguments</b>	None
<b>Returns</b>	<code>&lt;-AM&gt; :: &lt;NRf&gt;</code> is the negative peak modulation factor in percent (%).
<b>Examples</b>	<code>FETCh:AM:AMNEGATIVE?</code> might return <code>-23.4</code> , indicating the negative peak modulation factor is –23.4%.

### **FETCh:AM:AMPositive? (Query Only)**

Returns the positive peak modulation factor (+AM) in the AM measurement.

<b>Conditions</b>	Measurement views: AM
<b>Group</b>	Fetch commands
<b>Syntax</b>	<code>FETCh:AM:AMPositive?</code>

<b>Arguments</b>	None
<b>Returns</b>	<+AM> :: <Nrf> is the positive peak modulation factor in percent (%).
<b>Examples</b>	FETCH:AM:AMPOSITIVE? might return 43.8, indicating the positive peak modulation factor is 43.8%.

## FETCH:AM:RESult? (Query Only)

Returns the AM measurement results.

<b>Conditions</b>	Measurement views: AM
<b>Group</b>	Fetch commands
<b>Syntax</b>	FETCH:AM:RESult?
<b>Arguments</b>	None
<b>Returns</b>	<+AM>, <-AM>, <Total AM> Where <+AM> :: <Nrf> is the positive peak modulation factor in percent (%). <-AM> :: <Nrf> is the negative peak modulation factor in percent (%). <Total AM> :: <Nrf> is the (peak to peak modulation factor)/2 in percent (%).
<b>Examples</b>	FETCH:AM:RESULT? might return 62.63, -50.89, 56.76.

## FETCH:AUDio:FERRor? (Query Only)

Returns the carrier frequency error in the audio measurement.

This command is only available for FM and PM measurements.

<b>Conditions</b>	Measurement views: Audio Summary
<b>Group</b>	Fetch commands

---

<b>Syntax</b>	<code>FETCh:AUDio:FERRor?</code>
<b>Arguments</b>	None
<b>Returns</b>	<code>&lt;value&gt;</code> ::= <code>&lt;NRf&gt;</code> the carrier frequency error.
<b>Examples</b>	<code>FETCh:AUDIO:FERRor?</code> might return <code>419.9529809622</code> indicating that the audio frequency error is approximately 420 Hz.

### **FETCh:AUDio:FREQuency? (Query Only)**

Returns the audio frequency.

<b>Conditions</b>	Measurement views: Audio Summary
<b>Group</b>	Fetch commands
<b>Syntax</b>	<code>FETCh:AUDio:FREQuency?</code>
<b>Arguments</b>	None
<b>Returns</b>	<code>&lt;value&gt;</code> ::= <code>&lt;NRf&gt;</code> the audio frequency.
<b>Examples</b>	<code>FETCh:AUDIO:FREQUENCY?</code> might return <code>5.8239462705E+3</code> indicating that the audio frequency is 5.824 kHz.

### **FETCh:AUDio:HARMonic:COUNT? (Query Only)**

Returns the number of harmonics in the audio spectrum measurement.

The number of harmonics appear in the results table in the audio spectrum view.

<b>Conditions</b>	Measurement views: Audio Spectrum
<b>Group</b>	Fetch commands
<b>Syntax</b>	<code>FETCh:AUDio:HARMonic:COUNT?</code>

<b>Related Commands</b>	<a href="#">FETCh:AUDio:NHARmonic:COUNT?</a>
<b>Arguments</b>	None
<b>Returns</b>	<count> ::= <NR1> the number of harmonics in the measurement view.
<b>Examples</b>	FETCh:AUDio:HARMonic:COUNT? might return 3 indicating that there are three harmonics in the measurement.

## FETCh:AUDio:HARMonic<x>:AMPLitude? (Query Only)

Returns the amplitude of the specified harmonic in the audio spectrum measurement.

The value <x> represents the specific harmonic, from 1 to the value specified by the [CALCulate:AUDio:HARMonic:HNUMber](#) command.

<b>Conditions</b>	Measurement views: Audio Spectrum
<b>Group</b>	Fetch commands
<b>Syntax</b>	FETCh:AUDio:HARMonic<x>:AMPLitude?
<b>Related Commands</b>	<a href="#">CALCulate:AUDio:HARMonic:HNUMber</a>
<b>Arguments</b>	None
<b>Returns</b>	<value> ::= <NRf> the amplitude of the specified harmonic in dBc.
<b>Examples</b>	FETCh:AUDio:HARMonic3:AMPLitude? might return -2.861 indicating that amplitude of the third harmonic is -2.86 dBc.

## FETCh:AUDio:HARMonic<x>:FREQUENCY? (Query Only)

Returns the frequency of the specified harmonic in the audio spectrum measurement.



The value <x> represents the specific harmonic, from 1 to the value specified by the [CALCulate:AUDio:HARMonic:HNUMber](#) command.

<b>Conditions</b>	Measurement views: Audio Spectrum
<b>Group</b>	Fetch commands
<b>Syntax</b>	<code>FETCh:AUDio:HARMonic&lt;x&gt;:FREQUency?</code>
<b>Related Commands</b>	<a href="#">CALCulate:AUDio:HARMonic:HNUMber</a>
<b>Arguments</b>	None
<b>Returns</b>	<value> ::= <NRF> the frequency of the specified harmonic.
<b>Examples</b>	<code>FETCh:AUDio:HARMonic3:FREQUency?</code> might return <code>17.4718007813E+3</code> indicating that the frequency of the third harmonic is 17.472 kHz.

## FETCh:AUDio:HNOise? (Query Only)

Returns the difference between the current RMS modulation value and the reference value.

This information is only available when the Hum & Noise is measurement is enabled; see the [\[SENSe\]:AUDio:HNOise:ENABle](#) command. The reference value is stored after capturing the reference by pressing the Capture Reference button or by enabling the [\[SENSe\]:AUDio:HNOise:REFerence](#) command.

<b>Conditions</b>	Measurement views: Audio Summary
<b>Group</b>	Fetch commands
<b>Syntax</b>	<code>FETCh:AUDio:HNOise?</code>
<b>Related Commands</b>	<a href="#">[SENSe]:AUDio:HNOise:ENABle</a> <a href="#">[SENSe]:AUDio:HNOise:REFerence</a>
<b>Arguments</b>	None

**Returns** <value> ::= <NRF> specifies the difference between the Hum & Noise reference and the actual signal in dB.

**Examples** FETCH:AUDIO:HNOISE? might return 0.00 dB indicating that there is no difference between the Hum & Noise reference and the actual signal.

## FETCH:AUDIO:HNREFERENCE? (Query Only)

Returns the Hum and Noise RMS modulation reference value.

The value is stored after capturing the reference by pressing the Capture Reference button or by enabling the [SENSE]:AUDIO:HNOISE:REFERENCE command. This information is only available when the Hum & Noise measurement is enabled; see the [SENSE]:AUDIO:HNOISE:ENABLE command.

For AM signal types, the reference represents modulation depth. For FM signal types, the reference represents frequency deviation. For PM signal types the reference represents phase. For Direct signal types the reference represents power.

**Conditions** Measurement views: Audio Summary

**Group** Fetch commands

**Syntax** FETCH:AUDIO:HNREFERENCE?

**Related Commands** [SENSE]:AUDIO:HNOISE:ENABLE[SENSE]:AUDIO:HNOISE:REFERENCE

**Arguments** None

**Returns** <value> ::= <NRF> the Hum & Noise reference frequency.

**Examples** FETCH:AUDIO:HNREFERENCE? might return 20.581121E+3 indicating that the Hum & Noise reference frequency is 20.58 kHz.

## FETCH:AUDIO:HPTPEAK? (Query Only)

Returns the half peak-to-peak modulation excursion (where the modulation excursion depends on the signal type).

For AM signal types, the modulation excursion is “% Modulation Depth.” For FM signal types, the modulation excursion is “Frequency Deviation.” For PM signal

types, the modulation excursion is “Phase Deviation.” For Direct signal types, there is no modulation excursion; it is actually “signal excursion.”

<b>Conditions</b>	Measurement views: Audio Summary
<b>Group</b>	Fetch commands
<b>Syntax</b>	FETCh:AUDio:HPTPeak?
<b>Arguments</b>	None
<b>Returns</b>	<value> ::= <NRF> specifies the half peak modulation excursion.
<b>Examples</b>	FETCh:AUDIO:HPTPEAK? might return 125.28231E+3 indicating that the half peak modulation excursion is 125.28 kHz.

## FETCh:AUDio:MODDist? (Query Only)

Returns the modulation distortion for the audio measurement.

<b>Conditions</b>	Measurement views: Audio Summary
<b>Group</b>	Fetch commands
<b>Syntax</b>	FETCh:AUDio:MODDist?
<b>Arguments</b>	None
<b>Returns</b>	<value> ::= <NRf> specifies the modulation distortion.
<b>Examples</b>	FETCh:AUDIO:MODDIST? might return 98.6282113 indicating that the modulation distortion is 98.628%.

## FETCh:AUDio:NHARmonic:COUNT? (Query Only)

Returns the number of non-harmonics in the audio spectrum measurement.

The number of non-harmonics appear in the results table in the audio spectrum view.

<b>Conditions</b>	Measurement views: Audio Spectrum
<b>Group</b>	Fetch commands
<b>Syntax</b>	<code>FETCh:AUDio:NHARmonic:COUNT?</code>
<b>Related Commands</b>	<a href="#">FETCh:AUDio:HARMonic:COUNT?</a>
<b>Arguments</b>	None
<b>Returns</b>	<code>&lt;count&gt;</code> ::= <code>&lt;NR1&gt;</code> the number of non-harmonics in the measurement view.
<b>Examples</b>	<code>FETCh:AUDIO:NHARMONIC:COUNT?</code> might return 7 indicating that there are seven harmonics in the measurement.

## **FETCh:AUDio:NHARmonic<x>:AMPLitude? (Query Only)**

Returns the amplitude of the specified non-harmonic in the audio spectrum measurement.

The value `<x>` represents the specific non-harmonic, from 1 to the value specified by the [CALCulate:AUDio:HARMonic:NHNumber](#) command.

<b>Conditions</b>	Measurement views: Audio Spectrum
<b>Group</b>	Fetch commands
<b>Syntax</b>	<code>FETCh:AUDio:NHARmonic&lt;x&gt;:AMPLitude?</code>
<b>Related Commands</b>	<a href="#">CALCulate:AUDio:HARMonic:NHNumber</a>
<b>Arguments</b>	None
<b>Returns</b>	<code>&lt;value&gt;</code> ::= <code>&lt;NRf&gt;</code> the amplitude of the specified non-harmonic in dBc.

**Examples**     `FETCh:AUDio:NHARmonic3:AMPLitude?` might return `-2.861` indicating that amplitude of the third non-harmonic is `-2.86` dBc.

## FETCh:AUDio:NHARmonic<x>:FREQUency? (Query Only)

Returns the frequency of the specified non-harmonic in the audio spectrum measurement.

The value <x> represents the specific non-harmonic, from 1 to the value specified by the [CALCulate:AUDio:HARMonic:NHNumber](#) command.

**Conditions**     Measurement views: Audio Spectrum

**Group**            Fetch commands

**Syntax**           `FETCh:AUDio:NHARmonic<x>:FREQUency?`

**Related Commands**     [CALCulate:AUDio:HARMonic:NHNumber](#)

**Arguments**        None

**Returns**            <value> ::= <NRF> the frequency of the specified non-harmonic.

**Examples**           `FETCh:AUDio:NHARmonic3:FREQUency?` might return `17.4718007813E+3` indicating that the frequency of the third non-harmonic is `17.472` kHz.

## FETCh:AUDio:PNEGative? (Query Only)

Returns the minus peak modulation excursion (where the modulation excursion depends on the signal type).

For AM signal types, the modulation excursion is “% Modulation Depth.” For FM signal types, the modulation excursion is “Frequency Deviation.” For PM signal types, the modulation excursion is “Phase Deviation.” For Direct signal types, there is no modulation excursion; it is actually “signal excursion.”

**Conditions**        Measurement views: Audio Summary

**Group**            Fetch commands

<b>Syntax</b>	FETCh:AUDio:PNEGative?
<b>Arguments</b>	None
<b>Returns</b>	<value> ::= <NRf> specifies the minus peak modulation excursion.
<b>Examples</b>	FETCh:AUDIO:PNEGATIVE? might return -196.04321E+3 indicating that the minus peak modulation excursion is -196.04 kHz.

## FETCh:AUDio:POWer? (Query Only)

Returns the carrier power or signal power depending the signal type.

If the signal type is Direct, the returned value is the average power of the input signal. If the signal type is AM, FM, or PM, the returned value is the carrier power; the average power of the carrier signal with the modulation removed.

<b>Conditions</b>	Measurement views: Audio Summary
<b>Group</b>	Fetch commands
<b>Syntax</b>	FETCh:AUDio:POWer?
<b>Arguments</b>	None
<b>Returns</b>	<value> ::= <NRf> specifies the carrier or signal power in dBm.
<b>Examples</b>	FETCh:AUDIO:POWER? might return -22.231123 indicating that the carrier power is -22.23 dBm.

## FETCh:AUDio:PPOSitive? (Query Only)

Returns the positive peak modulation excursion (where the modulation excursion depends on the signal type).

For AM signal types, the modulation excursion is “% Modulation Depth.” For FM signal types, the modulation excursion is “Frequency Deviation.” For PM signal types, the modulation excursion is “Phase Deviation.” For Direct signal types, there is no modulation excursion; it is actually “signal excursion.”

---

<b>Conditions</b>	Measurement views: Audio Summary
<b>Group</b>	Fetch commands
<b>Syntax</b>	FETCh:AUDio:PPOSITive?
<b>Arguments</b>	None
<b>Returns</b>	<value> ::= <NRf> specifies the positive peak modulation excursion.
<b>Examples</b>	FETCh:AUDIO:PPOSITIVE? might return 215.04321E+3 indicating that the positive peak modulation excursion is -215.04 kHz.

## FETCh:AUDio:RMS? (Query Only)

Returns the RMS modulation excursion for the audio measurement (where the modulation excursion depends on the signal type).

For AM signal types, the modulation excursion is “% Modulation Depth.” For FM signal types, the modulation excursion is “Frequency Deviation.” For PM signal types, the modulation excursion is “Phase Deviation.” For Direct signal types, there is no modulation excursion; it is actually “signal excursion.”

<b>Conditions</b>	Measurement views: Audio Summary
<b>Group</b>	Fetch commands
<b>Syntax</b>	FETCh:AUDio:RMS?
<b>Arguments</b>	None
<b>Returns</b>	<value> ::= <NRf> specifies the RMS modulation excursion.
<b>Examples</b>	FETCh:AUDIO:RMS? might return 20.575039E+3 indicating that RMS modulation excursion is 20.575 kHz.

## FETCh:AUDio:SINad? (Query Only)

Returns the signal-to-noise and distortion for the audio measurement.

**Conditions** Measurement views: Audio Summary

**Group** Fetch commands

**Syntax** FETCh:AUDio:SINad?

**Arguments** None

**Returns** <value> ::= <NRf> specifies the RMS modulation excursion.

**Examples** FETCh:AUDIO:SINAD? might return 176.229024E-3 indicating that the signal-to-noise and distortion for the audio measurement is 0.18 dB.

## FETCh:AUDio:SNOise? (Query Only)

Returns the signal level to noise level with the harmonic distortion and non-harmonic distortion components removed.

**Conditions** Measurement views: Audio Summary

**Group** Fetch commands

**Syntax** FETCh:AUDio:SNOise?

**Arguments** None

**Returns** <value> ::= <NRf> specifies the signal level to noise level.

**Examples** FETCh:AUDIO:SNOISE? might return -12.8156364 indicating the signal level to noise level is -12.82 dB.



## FETCh:AUDio:SPECTrum:TRACe<x>? (Query Only)

Returns the audio spectrum trace data for the audio measurement.

The <x> represents trace 1 for this measurement. No other traces are supported.

**Conditions** Measurement views: Audio Spectrum

**Group** Fetch commands

**Syntax** FETCh:AUDio:SPECTrum:TRACe<x>?

**Arguments** None

**Returns** #<num\_digit><num\_byte><date(1)><data(2)> . . . <data(n)>

Where

<num\_digit> is the number of digits in <num\_byte>.

<num\_byte> is the number of bytes of data that follow.

<data(n)> is the data value at the n<sup>th</sup> data point in percent (%), 4-byte little endian floating point format specified in IEEE.488.2.

**Examples** FETCh:AUDio:SPECTrum:TRACe1? might return #516004xxxx . . . (16004 byte data) for the audio measurement.

## FETCh:AUDio:THDist:DB? (Query Only)

Returns the total harmonic distortion in dB in the audio measurement.

**Conditions** Measurement views: Audio Summary

**Group** Fetch commands

**Syntax** FETCh:AUDio:THDist:DB?

**Related Commands** [FETCh:AUDio:THDist?](#)

**Arguments** None

**Returns** <value> ::= <NRf> specifies the total harmonic distortion in dB.

**Examples** FETCH:AUDIO:THDIST:DB? might return -5.46009 indicating that the total harmonic distortion is -5.46 dB.

## FETCH:AUDIO:THDist? (Query Only)

Returns the percentage of the total harmonic distortion in the audio measurement.

**Conditions** Measurement views: Audio Summary

**Group** Fetch commands

**Syntax** FETCH:AUDIO:THDist?

**Related Commands** [FETCH:AUDIO:THDist:DB?](#)

**Arguments** None

**Returns** <value> ::= <NRf> specifies the percentage of the total harmonic distortion.

**Examples** FETCH:AUDIO:THDIST? might return 53.332921 indicating the percentage of total harmonic distortion is 53.333%.

## FETCH:AUDIO:TNHDist:DB? (Query Only)

Returns the total non-harmonic distortion in dB in the audio measurement.

**Conditions** Measurement views: Audio Summary

**Group** Fetch commands

**Syntax** FETCH:AUDIO:TNHDist:DB?

**Related Commands** [FETCH:AUDIO:TNHDist?](#)

<b>Arguments</b>	None
<b>Returns</b>	<value> ::= <NRf> specifies the total non-harmonic distortion in dB.
<b>Examples</b>	<code>FETCH:AUDIO:TNHDIST:DB?</code> might return 9.46009 indicating that the total harmonic distortion is 9.46 dB.

## FETCH:AUDio:TNHDist? (Query Only)

Returns the percentage of the total non-harmonic distortion in the audio measurement.

**Conditions** Measurement views: Audio Summary

**Group** Fetch commands

**Syntax** `FETCH:AUDio:TNHDist?`

**Related Commands** [FETCH:AUDio:TNHDIST:DB?](#)

**Arguments** None

**Returns** <value> ::= <NRf> specifies the percentage of the total non-harmonic distortion.

**Examples** `FETCH:AUDIO:TNHDIST?` might return 297.332921 indicating the percentage of total non-harmonic distortion is 297.333%.

## FETCH:AVTime:AVERage? (Query Only)

Returns the RMS (root-mean-square) value for the selected trace in the Amplitude versus Time measurement. Select the trace using the [TRACe<x>:AVTime:SElect](#) command.

**Conditions** Measurement views: Amplitude versus Time

**Group** Fetch commands

<b>Syntax</b>	FETCh:AVTime:AVERAge?
<b>Arguments</b>	None
<b>Returns</b>	<avg> :: <Nrf> is the RMS amplitude in dBm. The unit can be changed by the [SENSE]:POWer:UNITs command.
<b>Examples</b>	FETCh:AVTIME:AVERAGE? might return -2.53, indicating the RMS amplitude is -2.53 dBm.

## FETCh:AVTime:{FIRSt|SECOnd|THIRd|FOURth}? (Query Only)

Returns the trace data in the Amplitude versus Time measurement.

The mnemonics FIRSt, SECOnd, THIRd, and FOURth represent Trace 1, Trace 2, Trace 3, and Math trace, respectively. The traces can be specified by the TRACe<x>:AVTime command subgroup.

<b>Conditions</b>	Measurement views: Amplitude versus Time
<b>Group</b>	Fetch commands
<b>Syntax</b>	FETCh:AVTime:{FIRSt SECOnd THIRd FOURth}?
<b>Arguments</b>	None
<b>Returns</b>	#<num_digit><num_byte><data(1)><data(2)>...<data(n)> Where <num_digit> is the number of digits in <num_byte>. <num_byte> is the number of bytes of data that follow. <data(n)> is the amplitude in dBm at the n <sup>th</sup> data point, 4-byte little endian floating-point format specified in IEEE 488.2. The unit can be changed by the [SENSE]:POWer:UNITs command.
<b>Examples</b>	FETCh:AVTIME:FIRST? might return #3156xxxx... (156-byte data) for Trace 1.

## FETCh:AVTime:MAXimum? (Query Only)

Returns the maximum value for the selected trace in the Amplitude versus Time measurement. Select the trace using the [TRACe<x>:AVTime:SElect](#) command.

**Conditions** Measurement views: Amplitude versus Time

**Group** Fetch commands

**Syntax** FETCh:AVTime:MAXimum?

**Related Commands** [FETCh:AVTime:MAXLocation?](#)

**Arguments** None

**Returns** <max> :: <Nrf> is the maximum Amplitude in dBm.  
The unit can be changed by the [\[SENSe\]:POWer:UNITs](#) command.

**Examples** FETCh:AVTIME:MAXIMUM? might return -2.84, indicating the maximum amplitude is -2.84 dBm.

## FETCh:AVTime:MAXLocation? (Query Only)

Returns the time at which the amplitude is maximum for the selected trace in the Amplitude versus Time measurement. Select the trace using the [TRACe<x>:AVTime:SElect](#) command.

**Conditions** Measurement views: Amplitude versus Time

**Group** Fetch commands

**Syntax** FETCh:AVTime:MAXLocation?

**Related Commands** [FETCh:AVTime:MAXimum?](#)

**Arguments** None

**Returns** <max\_time> :: <NRF> is the time at the maximum in seconds.

**Examples** FETCH:AVTIME:MAXLOCATION? might return 25.03E-9, indicating the amplitude is maximum at 25.03 ns.

## FETCH:AVTime:MINimum? (Query Only)

Returns the minimum value for the selected trace in the Amplitude versus Time measurement. Select the trace using the [TRACe<x>:AVTime:SElect](#) command.

**Conditions** Measurement views: Amplitude versus Time

**Group** Fetch commands

**Syntax** FETCH:AVTime:MINimum?

**Related Commands** [FETCH:AVTime:MINLocation?](#)

**Arguments** None

**Returns** <min> :: <NRF> is the minimum amplitude in dBm.  
The unit can be changed by the [\[SENSE\]:POWER:UNITs](#) command.

**Examples** FETCH:AVTIME:MINIMUM? might return -57.64, indicating the minimum amplitude is -57.64 dBm.

## FETCH:AVTime:MINLocation? (Query Only)

Returns the time at which the amplitude is minimum for the selected trace in the Amplitude versus Time measurement. Select the trace using the [TRACe<x>:AVTime:SElect](#) command.

**Conditions** Measurement views: Amplitude versus Time

**Group** Fetch commands

**Syntax** FETCH:AVTime:MINLocation?

<b>Related Commands</b>	<a href="#">FETCh:AVTime:MINimum?</a>
<b>Arguments</b>	None
<b>Returns</b>	<code>&lt;min_time&gt;</code> :: <code>&lt;NRf&gt;</code> is the time at the minimum in seconds.
<b>Examples</b>	<code>FETCH:AVTIME:MINLOCATION?</code> might return <code>450.7E-9</code> , indicating the amplitude is minimum at 450.7 ns.

## FETCh:AVTime:RESult? (Query Only)

Returns the measurement results for the selected trace in the Amplitude versus Time measurement. Select the trace using the [TRACe<x>:AVTime:SElect](#) command.

<b>Conditions</b>	Measurement views: Amplitude versus Time
<b>Group</b>	Fetch commands
<b>Syntax</b>	<code>FETCh:AVTime:RESult?</code>
<b>Arguments</b>	None
<b>Returns</b>	<code>&lt;max&gt;</code> , <code>&lt;max_time&gt;</code> , <code>&lt;min&gt;</code> , <code>&lt;min_time&gt;</code> , <code>&lt;rms&gt;</code> Where <code>&lt;max&gt;</code> :: <code>&lt;NRf&gt;</code> is the maximum amplitude in dBm. <code>&lt;max_time&gt;</code> :: <code>&lt;NRf&gt;</code> is the time at the maximum in seconds. <code>&lt;min&gt;</code> :: <code>&lt;NRf&gt;</code> is the minimum amplitude in dBm. <code>&lt;min_time&gt;</code> :: <code>&lt;NRf&gt;</code> is the time at the minimum in seconds. <code>&lt;rms&gt;</code> :: <code>&lt;NRf&gt;</code> is the RMS amplitude in dBm. The unit of amplitude can be changed by the <a href="#">[SENSE]:POWER:UNITs</a> command.
<b>Examples</b>	<code>FETCH:AVTIME:RESULT?</code> might return <code>-2.68,48.62E-6,-82.47,22.11E-6,-8.24</code> , indicating that the maximum amplitude is -2.68 dBm at 48.62 $\mu$ s, the minimum amplitude is -82.47 dBm at 22.11 $\mu$ s, and the RMS amplitude is -8.24 dBm.

## FETCh:CCDF? (Query Only)

Returns the CCDF measurement results.

**Conditions** Measurement views: CCDF

**Group** Fetch commands

**Syntax** FETCh:CCDF?

### Related Commands

**Arguments** None

**Returns** <avg\_amp1>, <avg\_ccdf>, <crest\_factor>, <amp1\_10>, <amp1\_1>, <amp1\_p1>, <amp1\_p01>, <amp1\_p001>, <amp1\_p0001>

Where

<avg\_amp1> is the average amplitude in dBm.

The unit can be changed by the [\[SENSE\]:POWER:UNITs](#) command.

<avg\_ccdf> is the average CCDF in percent.

<crest\_factor> is the crest factor in dB.

<amp1\_10> is the amplitude at CCDF of 10% in dB.

<amp1\_1> is the amplitude at CCDF of 1% in dB.

<amp1\_p1> is the amplitude at CCDF of 0.1% in dB.

<amp1\_p01> is the amplitude at CCDF of 0.01% in dB.

<amp1\_p001> is the amplitude at CCDF of 0.001% in dB.

<amp1\_p0001> is the amplitude at CCDF of 0.0001% in dB.

**Examples** FETCh:CCDF? might return  
-33.35, 35.8, 9.75, 3.88, 7.07, 8.50, 9.25, 9.72, 9.74, indicating  
(average amplitude) = -33.35 dBm,  
(average CCDF) = 35.8%,  
(crest factor) = 9.75 dB,  
(amplitude at CCDF of 10%) = 3.88 dB,  
(amplitude at CCDF of 1%) = 7.07 dB,  
(amplitude at CCDF of 0.1%) = 8.50 dB,  
(amplitude at CCDF of 0.01%) = 9.25 dB,  
(amplitude at CCDF of 0.001%) = 9.72 dB, and  
(amplitude at CCDF of 0.0001%) = 9.74 dB.



## FETCH:CCDF:{FIRSt|SECond|THIRd}:X? (Query Only)

Returns the horizontal values of the specified trace in the CCDF measurement.

The mnemonics FIRSt, SECond, and THIRd represent Trace 1, Trace 2, and Gaussian reference curve, respectively.

**Conditions** Measurement views: CCDF

**Group** Fetch commands

**Syntax** FETCH:CCDF:{FIRSt|SECond|THIRd}:X?

**Arguments** None

**Returns** #<num\_digit><num\_byte><x(1)><x(2)>...<x(n)>

Where

<num\_digit> is the number of digits in <num\_byte>.

<num\_byte> is the number of bytes of data that follow.

<x(n)> is the horizontal value (dB) of the CCDF graph at the n<sup>th</sup> point, 4-byte little endian floating-point format specified in IEEE 488.2.

**Examples** FETCH:CCDF:FIRSt:X? might return #41024xxxx... (1024-byte data) for the horizontal values of Trace 1.

## FETCH:CCDF:{FIRSt|SECond|THIRd}:XY? (Query Only)

Returns the horizontal and vertical value pairs of the specified trace in the CCDF measurement.

The mnemonics FIRSt, SECond, and THIRd represent Trace 1, Trace 2, and Gaussian reference curve, respectively.

**Conditions** Measurement views: CCDF

**Group** Fetch commands

**Syntax** FETCH:CCDF:{FIRSt|SECond|THIRd}:XY?

<b>Arguments</b>	None
<b>Returns</b>	<p>#&lt;num_digit&gt;&lt;num_byte&gt;&lt;x(1)&gt;&lt;y(1)&gt;&lt;x(2)&gt;&lt;y(2)&gt;...&lt;x(n)&gt;&lt;y(n)&gt;</p> <p>Where                  &lt;num_digit&gt; is the number of digits in &lt;num_byte&gt;.                  &lt;num_byte&gt; is the number of bytes of data that follow.                  &lt;x(n)&gt;&lt;y(n)&gt; is the horizontal value (dB) and vertical value (%) pair at the n<sup>th</sup> data point,                  4-byte little endian floating-point format specified in IEEE 488.2.</p>
<b>Examples</b>	<p>FETCH:CCDF:FIRST:XY? might return #41024xxxx... (1024-byte data) for the horizontal and vertical value pairs of Trace 1.</p>

## FETCh:CCDF:{FIRSt|SECOnd|THIRd}[:Y]? (Query Only)

Returns the vertical values of the specified trace in the CCDF measurement.

The mnemonics FIRSt, SECOnd, and THIRd represent Trace 1, Trace 2, and Gaussian reference curve, respectively.

<b>Conditions</b>	Measurement views: CCDF
<b>Group</b>	Fetch commands
<b>Syntax</b>	FETCH:CCDF:{FIRSt SECOnd THIRd}[:Y]?
<b>Arguments</b>	None
<b>Returns</b>	<p>#&lt;num_digit&gt;&lt;num_byte&gt;&lt;y(1)&gt;&lt;y(2)&gt;...&lt;y(n)&gt;</p> <p>Where                  &lt;num_digit&gt; is the number of digits in &lt;num_byte&gt;.                  &lt;num_byte&gt; is the number of bytes of data that follow.                  &lt;y(n)&gt; is the vertical value (%) of the CCDF graph at the n<sup>th</sup> point,                  4-byte little endian floating-point format specified in IEEE 488.2.</p>
<b>Examples</b>	<p>FETCH:CCDF:FIRST:Y? might return #41024xxxx... (1024-byte data) for the vertical values of Trace 1.</p>

## FETCh:CONStE:FERRor? (Query Only)

Returns the frequency error in Hz. The frequency error is the difference between the measured carrier frequency of the signal and the user-selected center frequency of the analyzer.

**Group** Fetch commands

**Syntax** FETCh:CONStE:FERRor?

**Related Commands** [FETCh:EVM:FERRor?](#)

**Arguments** None.

**Returns** <freq\_error> :: <NRF> which is the frequency error in Hz.

**Examples** FETCh:CONStE:? might return -10.7E+3, which is a frequency error of -10.7 kHz.

## FETCh:CONStE:RESuLts? (Query Only)

Returns the constellation measurement results of EVM RMS, peak and location displayed on the bottom of the screen.

**Conditions** Measurement views: Constellation

**Group** Fetch commands

**Syntax** FETCh:CONStE:RESuLts?

**Arguments** None

**Returns** For modulation types 2|4|8|16FSK or C4FM:  
 FSK\_deviation\_Avg\_Leftmost, FSK\_deviation\_Avg\_Rightmost  
 Where  
 FSK\_deviation\_Avg\_Leftmost is the average FSK deviation of the left-most symbol in Hz.

FSK\_deviation\_Avg\_Rightmost is the average FSK deviation of the right-most symbol in Hz.

For all other valid modulation types:

<EVM\_RMS>, <EVM\_peak>, <location>

Where

<EVM\_RMS> :: <NRf> is the RMS EVM in percent (%).

<EVM\_peak> :: <NRf> is the peak EVM in percent (%).

<location> :: <NRf> is the peak location in symbol number.

The time unit can be changed by the [\[SENSe\]:DDEMod:TIME:UNITs](#) command.

**Examples**     FETCH:CONStE:RESUlTS? might return 2.841, 3.227, 68.000, indicating that the RMS EVM is 2.841% and the peak EVM is 3.227% at symbol #68.

## FETCh:CONStE:TRACe? (Query Only)

Returns the constellation trace data.

**Conditions**     Measurement views: Constellation

**Group**            Fetch commands

**Syntax**            FETCh:CONStE:TRACe?

**Arguments**        None

**Returns**            #<num\_digit><num\_byte><I(1)><Q(1)><I(2)><Q(2)>...  
<I(n)><Q(n)>

Where

<num\_digit> is the number of digits in <num\_byte>.

<num\_byte> is the number of bytes of data that follow.

<I(n)> and <Q(n)> are the normalized I- and Q-coordinate values at the n<sup>th</sup> data point. 4-byte little endian floating-point format specified in IEEE 488.2.

**Examples**     FETCH:CONStE:TRACe? might return #43848xxxx... (3848-byte data) for the constellation trace data.

## FETCh:DDEMod:STABle? (Query Only)

Returns the symbol table data.

**Conditions** Measurement views: Symbol table

**Group** Fetch commands

**Syntax** FETCh:DDEMod:STABle?

**Arguments** None

**Returns** #<num\_digit><num\_byte><data(1)><data(2)>...<data(n)>

Where

<num\_digit> is the number of digits in <num\_byte>.

<num\_byte> is the number of bytes of data that follow.

<data(n)> is the symbol table data at the n<sup>th</sup> data point,

4-byte little endian floating-point format specified in IEEE 488.2.

**Examples** FETCh:DDEMod:STABle? might return #3512xxxx... (512-byte data) for the symbol table.

## FETCh:DDEMod:SYNCh:WORD:LENGth? (Query Only)

Returns the length of the synch word in the symbol table.

**Conditions** Measurement views: Symbol table

**Group** Fetch commands

**Syntax** FETCh:DDEMod:SYNCh:WORD:LENGth?

**Related Commands** [FETCh:DDEMod:SYNCh:WORD:POSition?](#)

**Arguments** None

**Returns** <NR1> indicates the length of the synch word in symbols.

**Examples**     `FETCH:DDEMOD:SYNCH:WORD:LENGTH?` might return 3, indicating the length of the synch word is three symbols.

## **FETCH:DDEMod:SYNCh:WORD:POSition? (Query Only)**

Returns the position of the synch word in the symbol table.

**Conditions**     Measurement views: Symbol table

**Group**            Fetch commands

**Syntax**          `FETCH:DDEMod:SYNCh:WORD:POSition?`

**Related Commands**     [FETCH:DDEMod:SYNCh:WORD:LENGth?](#)

**Arguments**        None

**Returns**          <NR1> indicates what symbol number the synch word begins at in the table. Zero (0) represents the first symbol in the table. A “-1” indicates that the synch word was not found.

**Examples**         `FETCH:DDEMOD:SYNCH:WORD:POSITION?` might return 10, indicating the synch word begins at 11<sup>th</sup> symbol in the table.

## **FETCH:DIQVtime:FERRor? (Query Only)**

Returns the frequency error in the Demod I&Q versus Time measurement.

**Conditions**        Measurement views: Demod I&Q versus Time

**Group**            Fetch commands

**Syntax**          `FETCH:DIQVtime:FERRor?`

**Arguments**        None

**Returns** <freq\_error> :: <Nrf> is the frequency error in Hz.

**Examples** FETCH:DIQVTIME:FERROR? might return -10.7E+3, indicating the frequency error is -10.7 kHz.

## FETCh:DIQVtime:I? (Query Only)

Returns the I versus Time trace data.

**Conditions** Measurement views: Demod I&Q versus Time

**Group** Fetch commands

**Syntax** FETCh:DIQVtime:I?

**Arguments** None

**Returns** #<num\_digit><num\_byte><data(1)><data(2)>...<data(n)>

Where

<num\_digit> is the number of digits in <num\_byte>.

<num\_byte> is the number of bytes of data that follow.

<data(n)> is the I level in volts at the n<sup>th</sup> data point, 4-byte little endian floating-point format specified in IEEE 488.2.

**Examples** FETCH:DIQVTIME:I? might return #3160xxxx... (160-byte data) for the I versus Time trace.

## FETCh:DIQVtime:Q? (Query Only)

Returns the Q versus Time trace data.

**Conditions** Measurement views: Demod I&Q versus Time

**Group** Fetch commands

**Syntax** FETCh:DIQVtime:Q?

<b>Arguments</b>	None
<b>Returns</b>	#<num_digit><num_byte><data(1)><data(2)>...<data(n)> Where <num_digit> is the number of digits in <num_byte>. <num_byte> is the number of bytes of data that follow. <data(n)> is the Q level in volts at the n <sup>th</sup> data point, 4-byte little endian floating-point format specified in IEEE 488.2.
<b>Examples</b>	FETCH:DIQVTIME:Q? might return #3160xxxx... (160-byte data) for the Q versus Time trace.

### FETCH:DPX:DGRam:LINE:COUNT? (Query Only)

Returns the number of lines in the DPXogram measurement.

<b>Conditions</b>	Measurement views: DPX spectrum
<b>Group</b>	Fetch commands
<b>Syntax</b>	FETCH:DPX:DGRam:LINE:COUNT?
<b>Arguments</b>	None
<b>Returns</b>	<NR1> number of lines in the measurement.
<b>Examples</b>	FETCH:DPX:DGRAM:LINE:COUNT? might return 40 indicating that there were 40 lines in the measurement.

### FETCH:DPX:DGRam:TIME[:SCALE]:OFFSet? (Query Only)

Returns the time scale offset in the DPXogram measurement.

<b>Conditions</b>	Measurement views: DPX spectrum
<b>Group</b>	Fetch commands



<b>Syntax</b>	<code>FETCh:DPX:DGRam:TIME[:SCALE]:OFFSet?</code>
<b>Arguments</b>	None
<b>Returns</b>	<string> The time offset in the DPXogram measurement in seconds.
<b>Examples</b>	<code>FETCh:DPX:DGRAM:TIME[:SCALE]:OFFSET?</code> might return “0.000 s” indicating that the time scale offset was 0.000 s.

## FETCH:DPX:RESuLts:TRACe<x>? (Query Only)

Returns waveform data of specified trace <x> in the DPX spectrum measurement, where x is 1 to 5. The traces 1–4 are in the standard form. Trace 5 is the bitmap trace and its data is returned in a binary block. Trace 6 is the DPXogram trace on DPX spectrum plots. Trace 7 is the Ogram line in the DPXogram display.

<b>Conditions</b>	Measurement views: DPX spectrum
<b>Group</b>	Fetch commands
<b>Syntax</b>	<code>FETCh:DPX:RESuLts:TRACe&lt;x&gt;?</code>
<b>Arguments</b>	<NR1>
<b>Returns</b>	<p>For traces 1 to 4:  #&lt;num_digit&gt;&lt;num_byte&gt;&lt;data(1)&gt;&lt;data(2)&gt;...&lt;data(n)&gt;</p> <p>Where  &lt;num_digit&gt; is the number of digits in &lt;num_byte&gt;.  &lt;num_byte&gt; is the number of bytes of data that follow.  &lt;data(n)&gt; is the amplitude of the trace sample at the n<sup>th</sup> data point.  &lt;data(n) is in the 4-byte little endian floating-point format specified in IEEE 488.2.</p> <p>For trace 5, the format differs depending on whether Option 200 is installed in the instrument.</p> <p>Without Option 200, the format is a binary block of unsigned 16 bit integers. Each value ranges from 0 to 2<sup>16</sup>-1, where 2<sup>16</sup>-1 represents 100%.</p> <p>With Option 200, the format is a binary block of 32 bit floating point values. Each value ranges from 0 to 1.0, where 1.0 represents 100%.</p>

**Examples**     `FETCh:DPX:RESULTS:TRACE1?` might return `#42004xxxx...` (2004-byte of data) for the waveform data of trace one (1).

## FETCh:DPX:TRACe:AVERage? (Query Only)

Returns waveform data of the average trace in the DPX spectrum measurement.

**Conditions**     Measurement views: DPX spectrum

**Group**     Fetch commands

**Syntax**     `FETCh:DPX:TRACe:AVERage?`

**Arguments**     None

**Returns**     `#<num_digit><num_byte><data(1)><data(2)>...<data(n)>`

Where

`<num_digit>` is the number of digits in `<num_byte>`.

`<num_byte>` is the number of bytes of data that follow.

`<data(n)>` is the amplitude of the average trace at the  $n^{\text{th}}$  data point in dBm, 4-byte little endian floating-point format specified in IEEE 488.2.

The unit can be changed by the [\[SENSe\]:POWer:UNITs](#) command.

**Examples**     `FETCh:DPX:TRACe:AVERage?` might return `#42004xxxx...` (2004-byte data) for the waveform data of the average trace.

## FETCh:DPX:TRACe:BITMap? (Query Only)

Returns a data block of the DPX spectrum measurement bitmap waveform data.

**Conditions**     Measurement views: DPX spectrum

**Group**     Fetch commands

**Syntax**     `FETCh:DPX:TRACe:BITMap?`

**Arguments**     None

**Returns** (With Option 200) A binary block of 32-bit floating point values (IEEE standard single precision floating point format). Each value ranges from 0 to 1.0, where 1.0 represents 100%. Option 200 bitmaps have 201 rows and 801 columns. Data[0] is the first column in the first row, data[801] is the first column in the 2nd row, and so on.

(Without Option 200) A binary block of unsigned 16-bit Little Endian integers. Each value ranges from 0 to  $2^{16}-1$ , where  $2^{16}-1$  represents 100%. Non-option-200 bitmaps have 201 rows and 501 columns. Data[0] is the first column in the first row, data[501] is the first column in the 2nd row, and so on.

Bitmap values are returned in the following order: Top left pixel first, then the rest of the top row, after that row by row. In other words, the pixels in the bitmap are returned from left to right and top to bottom; one row at a time.

**Examples** FETCH:DPX:TRACE:BITMAP? might return #6644004xxxx... (Option 200) or #161,001xxxx... (non-Option 200).

## FETCH:DPX:TRACe:MATH? (Query Only)

Returns waveform data of the math trace in the DPX spectrum measurement.

**Conditions** Measurement views: DPX spectrum

**Group** Fetch commands

**Syntax** FETCH:DPX:TRACe:MATH?

**Arguments** None

**Returns** #<num\_digit><num\_byte><data(1)><data(2)>...<data(n)>

Where

<num\_digit> is the number of digits in <num\_byte>.

<num\_byte> is the number of bytes of data that follow.

<data(n)> is the amplitude of the math trace at the n<sup>th</sup> data point in dBm, 4-byte little endian floating-point format specified in IEEE 488.2.

The unit can be changed by the [\[SENSe\]:POWer:UNITs](#) command.

**Examples** FETCH:DPX:TRACe:MATH? might return #42004xxxx... (2004-byte data) for the waveform data of the math trace.

## FETCh:DPX:TRACe:MAXimum? (Query Only)

Returns waveform data of the maximum trace in the DPX spectrum measurement.

**Conditions** Measurement views: DPX spectrum

**Group** Fetch commands

**Syntax** FETCh:DPX:TRACe:MAXimum?

**Arguments** None

**Returns** #<num\_digit><num\_byte><data(1)><data(2)>...<data(n)>

Where

<num\_digit> is the number of digits in <num\_byte>.

<num\_byte> is the number of bytes of data that follow.

<data(n)> is the amplitude of the maximum trace at the n<sup>th</sup> data point in dBm, 4-byte little endian floating-point format specified in IEEE 488.2.

The unit can be changed by the [\[SENSe\]:POWer:UNITs](#) command.

**Examples** FETCh:DPX:TRACe:MAXIMUM? might return #42004xxxx... (2004-byte data) for the waveform data of the maximum trace.

## FETCh:DPX:TRACe:MINimum? (Query Only)

Returns waveform data of the minimum trace in the DPX spectrum measurement.

**Conditions** Measurement views: DPX spectrum

**Group** Fetch commands

**Syntax** FETCh:DPX:TRACe:MINimum?

**Arguments** None

**Returns** #<num\_digit><num\_byte><data(1)><data(2)>...<data(n)>

Where

<num\_digit> is the number of digits in <num\_byte>.  
 <num\_byte> is the number of bytes of data that follow.  
 <data(n)> is the amplitude data of the minimum trace at the n<sup>th</sup> data point in dBm,  
 4-byte little endian floating-point format specified in IEEE 488.2.  
 The unit can be changed by the [\[SENSe\]:POWer:UNITs](#) command.

**Examples**     `FETCH:DPX:TRACE:MINIMUM?` might return `#42004xxxx...` (2004-byte data) for the waveform data of the minimum trace.

## FETCH:EDiagram:FDEVIation? (Query Only)

Returns the frequency deviation versus Time trace data with the X values.

**Group**     Fetch commands

**Syntax**     `FETCH:EDIagram:FDEVIation?`

### Related Commands

**Returns**     `#<num_digit><num_byte><Y(1)><X(1)><Y(2)><X(2)>...<Y(n)><X(n)>`

Where

<num\_digit> is the number of digits in <num\_byte>.

<num\_byte> is the number of bytes of data that follow.

<Y(n)> and <X(n)> is the frequency deviation in Hz and time (symbols) pair at the n<sup>th</sup> data point, 4-byte little endian floating-point format specified in IEEE 488.2.

**Examples**     `FETCH:EDIAGRAM:FDEVIATION?` might return `#3160xxxx...` (160-byte data) for the frequency deviation versus Time trace.

## FETCH:EDiagram:FERRor? (Query Only)

Returns the frequency error in the eye diagram measurement.

**Conditions**     Measurement views: Eye diagram

**Group**     Fetch commands

**Syntax**    FETCh:EDIagram:FERRor?

**Arguments**    None

**Returns**    <freq\_error> :: <NRF> is the frequency error in Hz.

**Examples**    FETCh:EDIAGRAM:FERROR? might return -10.7E+3, indicating the frequency error is -10.7 kHz.

## FETCh:EDlagram:I? (Query Only)

Returns the I versus Time trace data in the eye diagram measurement.

**Conditions**    Measurement views: Eye diagram

**Group**    Fetch commands

**Syntax**    FETCh:EDIagram:I?

**Arguments**    None

**Returns**    #<num\_digit><num\_byte><Y(1)><X(1)><Y(2)><X(2)> . . . <Y(n)><X(n)>

Where

<num\_digit> is the number of digits in <num\_byte>.

<num\_byte> is the number of bytes of data that follow.

<Y(n)><X(n)> is the I level (normalized) and time (symbols) pair at the n<sup>th</sup> data point, 4-byte little endian floating-point format specified in IEEE 488.2.

**Examples**    FETCh:EDIAGRAM:I? might return #3160xxxx . . . (160-byte data) for the I versus Time trace.

## FETCh:EDlagram:Q? (Query Only)

Returns the Q versus Time trace data in the eye diagram measurement.

**Conditions**    Measurement views: Eye diagram

<b>Group</b>	Fetch commands
<b>Syntax</b>	FETCH:EDIagram:Q?
<b>Arguments</b>	None
<b>Returns</b>	<code>#&lt;num_digit&gt;&lt;num_byte&gt;&lt;Y(1)&gt;&lt;X(1)&gt;&lt;Y(2)&gt;&lt;X(2)&gt;...&lt;Y(n)&gt;&lt;X(n)&gt;</code> Where <code>&lt;num_digit&gt;</code> is the number of digits in <code>&lt;num_byte&gt;</code> . <code>&lt;num_byte&gt;</code> is the number of bytes of data that follow. <code>&lt;Y(n)&gt;&lt;X(n)&gt;</code> is the Q level (normalized) and time (symbols) pair at the $n^{\text{th}}$ data point, 4-byte little endian floating-point format specified in IEEE 488.2.
<b>Examples</b>	FETCH:EDIAGRAM:Q? might return <code>#3160xxxx...</code> (160-byte data) for the Q versus Time trace.

## FETCh:EVM:FERRor? (Query Only)

Returns the frequency error in the EVM versus Time measurement.

**Conditions** Measurement views: EVM versus Time

**Group** Fetch commands

**Syntax** FETCh:EVM:FERRor?

**Arguments** None

**Returns** <freq\_error> :: <Nrf> is the frequency error in Hz.

**Examples** FETCh:EVM:FERRor? might return -10.7E+3, indicating the frequency error is -10.7 kHz.

## FETCh:EVM:PEAK? (Query Only)

Returns the peak value in the EVM versus Time measurement.

**Conditions** Measurement views: EVM versus Time

**Group** Fetch commands

**Syntax** FETCh:EVM:PEAK?

**Related Commands** [FETCh:EVM:PINDEX?](#)

**Arguments** None

**Returns** <peak> :: <Nrf> is the peak EVM value in percent (%).

**Examples** FETCh:EVM:PEAK? might return 1.32, indicating the peak EVM value is 1.32%.



## FETCh:EVM:PINdex? (Query Only)

Returns the time at the EVM peak.

**Conditions** Measurement views: EVM versus Time

**Group** Fetch commands

**Syntax** FETCh:EVM:PINdex?

**Related Commands** [FETCh:EVM:PEAK?](#)

**Arguments** None

**Returns** <peak\_time> :: <Nrf> is the time at the EVM peak in symbol number. The unit can be changed by the [\[SENSe\]:DDEMod:TIME:UNITs](#) command.

**Examples** FETCh:EVM:PINDEX? might return 68.000, indicating that the EVM peak is at symbol #68.

## FETCh:EVM:RMS? (Query Only)

Returns the RMS (Root-Mean-Square) value in the EVM versus Time measurement.

**Conditions** Measurement views: EVM versus Time

**Group** Fetch commands

**Syntax** FETCh:EVM:RMS?

**Arguments** None

**Returns** <rms> :: <Nrf> is the RMS EVM value in percent (%).

**Examples**     `FETCH:EVM:RMS?` might return `0.582`, indicating the RMS EVM value is 0.582%.

## **FETCH:EVM:TRACe? (Query Only)**

Returns the EVM versus Time trace data.

**Conditions**     Measurement views: EVM versus Time

**Group**            Fetch commands

**Syntax**          `FETCH:EVM:TRACe?`

**Arguments**      None

**Returns**         `#<num_digit><num_byte><data(1)><data(2)>...<data(n)>`

Where

`<num_digit>` is the number of digits in `<num_byte>`.

`<num_byte>` is the number of bytes of data that follow.

`<data(n)>` is the EVM value at the  $n^{\text{th}}$  data point in percent (%), 4-byte little endian floating-point format specified in IEEE 488.2.

**Examples**     `FETCH:EVM:TRACE?` might return `#42036xxxx...` (2036-byte data) for the EVM versus Time trace.

## **FETCH:FDVTime:FERRor? (Query Only)**

Returns the frequency error in the Frequency deviation versus Time measurement.

**Conditions**     Measurement views: Frequency deviation versus Time

**Group**            Fetch commands

**Syntax**          `FETCH:FDVTime:FERRor?`

**Arguments**      None

**Returns** <freq\_error> :: <Nrf> is the frequency error in Hz.

**Examples** FETCH:FDVTIME:FERROR? might return -10.7E+3, indicating the frequency error is -10.7 kHz.

## FETCh:FDVTime:TRACe? (Query Only)

Returns the Frequency deviation versus Time trace data.

**Conditions** Measurement views: Frequency deviation versus Time

**Group** Fetch commands

**Syntax** FETCh:FDVTime:TRACe?

**Arguments** None

**Returns** #<num\_digit><num\_byte><data(1)><data(2)>...<data(n)>

Where

<num\_digit> is the number of digits in <num\_byte>.

<num\_byte> is the number of bytes of data that follow.

<data(n)> is the frequency deviation in Hz at the  $n^{\text{th}}$  data point, 4-byte little endian floating-point format specified in IEEE 488.2.

**Examples** FETCH:FDVTIME:TRACE? might return #3160xxxx... (160-byte data) for the Frequency deviation versus Time trace.

## FETCh:{FM|PM}:FERRor? (Query Only)

Returns the frequency error in the Frequency modulation or Phase modulation measurements.

**Conditions** Measurement views: Frequency deviation versus Time

**Group** Fetch commands

**Syntax** FETCh:{FM|PM}:FERRor?

<b>Arguments</b>	None
<b>Returns</b>	<freq_error> :: <Nrf> is the frequency error in Hz.
<b>Examples</b>	FETCH:{FM PM}:FERROR? might return -10.7E+3, indicating the frequency error is -10.7 kHz.

## FETCH:FM:PHALf? (Query Only)

Returns the half peak-peak frequency deviation (Pk-Pk/2) in the FM measurement.

<b>Conditions</b>	Measurement views: FM
<b>Group</b>	Fetch commands
<b>Syntax</b>	FETCH:FM:PHALF?
<b>Arguments</b>	None
<b>Returns</b>	<Pk-Pk/2> :: <Nrf> is the half peak-peak frequency deviation in Hz.
<b>Examples</b>	FETCH:FM:PHALF? might return 628.9E+3, indicating the half peak-peak frequency deviation is 628.9 kHz.

## FETCH:FM:PNEGative? (Query Only)

Returns the negative peak frequency deviation (-Pk) in the FM measurement.

<b>Conditions</b>	Measurement views: FM
<b>Group</b>	Fetch commands
<b>Syntax</b>	FETCH:FM:PNEGative?
<b>Arguments</b>	None

**Returns** <-Pk> :: <NRf> is the negative peak frequency deviation in Hz.

**Examples** FETCH:FM:PNEGATIVE? might return -495.6E+3, indicating the negative peak frequency deviation is -495.6 kHz.

## FETCh:FM:PPOSitive? (Query Only)

Returns the positive peak frequency deviation (+Pk) in the FM measurement.

**Conditions** Measurement views: FM

**Group** Fetch commands

**Syntax** FETCh:FM:PPOSitive?

**Arguments** None

**Returns** <+Pk> :: <NRf> is the positive peak frequency deviation in Hz.

**Examples** FETCH:FM:PPOSITIVE? might return 763.2E+3, indicating the positive peak frequency deviation is 763.2 kHz.

## FETCh:FM:PTPeak? (Query Only)

Returns the peak-peak frequency deviation (Pk-Pk) in the FM measurement.

**Conditions** Measurement views: FM

**Group** Fetch commands

**Syntax** FETCh:FM:PTPeak?

**Arguments** None

**Returns** <Pk-Pk> :: <NRf> is the peak-peak frequency deviation in Hz.

**Examples**     `FETCH:FM:PTPEAK?` might return `1.258E+6`, indicating the peak-peak frequency deviation is 1.258 MHz.

## **FETCh:FM:RESuLt? (Query Only)**

Returns the FM measurement results.

**Conditions**     Measurement views: FM

**Group**            Fetch commands

**Syntax**           `FETCh:FM:RESuLt?`

**Arguments**       None

**Returns**           `<+Pk>`, `<-Pk>`, `<RMS>`, `<Pk-Pk>`, `<Pk-Pk/2>`

Where

`<+Pk>`    ::    `<NRf>` is the positive peak frequency deviation in Hz.

`<-Pk>`    ::    `<NRf>` is the negative peak frequency deviation in Hz.

`<RMS>`    ::    `<NRf>` is the RMS frequency deviation in Hz.

`<Pk-Pk>`    ::    `<NRf>` is the peak-peak frequency deviation in Hz.

`<Pk-Pk/2>` ::    `<NRf>` is the half peak-peak frequency deviation in Hz.

**Examples**     `FETCH:FM:RESULT?` might return  
`763.2E+3,-494.6E+3,271.2E+3,1.258E+6,628.9E+3`.

## **FETCh:FM:RMS? (Query Only)**

Returns the RMS frequency deviation in the FM measurement.

**Conditions**     Measurement views: FM

**Group**            Fetch commands

**Syntax**           `FETCh:FM:RMS?`

**Arguments**       None

**Returns** <RMS> :: <NRf> is the RMS frequency deviation in Hz.

**Examples** FETCH:FM:RMS? might return 271.2E+3, indicating the RMS frequency deviation is 271.2 kHz.

## FETCh:FSETtling:ERRor? (Query Only)

Returns the settled error in Hz in Frequency Settling. Only for Frequency Settling Time measurement. In Frequency Settling:

- When Target Reference is set to Auto, Settled Error = 0.

**Conditions** Measurement views: Frequency Settling

**Group** Fetch commands

**Syntax** FETCh:FSETtling:ERRor?

**Arguments** None

**Returns** <value> :: <NRf> returns the settled error in Hz.

When Target Reference is set to Auto, Settled Error = 0.

When Target Reference is set to Meas Freq:

$$\text{Settled Error} = \text{Settled Frequency} - (\text{Measurement Frequency} + \text{Offset})$$

**Examples** FETCH:FSETTLING:FTTIME? might return 0, indicating the Target Reference is set to Auto.

## FETCh:{FSETtling|PSETtling}:FTTime? (Query Only)

Returns the settling time from the trigger position in seconds. The settling time is measured from the trigger point (see :FETCh:FSETtling:TRIGger:TIME).

**Conditions** Measurement views: Frequency and Phase Settling

**Group** Fetch commands

**Syntax**     `FETCH:{FSETtling|PSETtling}:FTTime?`

**Arguments**     None

**Returns**     `<value>`    ::    `<Nrf>` is the settling time in seconds.

**Examples**     `FETCH:FSETTLING:FTTIME?` might return `44.8300E-6`, indicating the settling time is 44.83  $\mu$ s.

### **FETCH:{FSETtling|PSETtling}:MASK[:PASS]? (Query Only)**

Returns whether the input signal passes the mask test.

**Conditions**     Measurement views: Frequency and Phase Settling

**Group**     Fetch commands

**Syntax**     `FETCH:{FSETtling|PSETtling}:MASK[:PASS]?`

**Arguments**     None

**Returns**     0 is returned if the signal fails the mask test.  
1 is returned if the signal passes the mask test.

**Examples**     `FETCH:FSETTLING:MASK:PASS?` might return 1, indicating the signal passed (did not exceed the mask limits).

### **FETCH:{FSETtling|PSETtling}:SETTled[:PASS]? (Query Only)**

Returns whether the input signal is settled with the tolerance range.

**Conditions**     Measurement views: Frequency and Phase Settling

**Group**     Fetch commands



---

<b>Syntax</b>	<code>FETCh:{FSETtling PSETtling}:SETTled[:PASS]?</code>
<b>Arguments</b>	None
<b>Returns</b>	0 is returned if the signal is not settled within the tolerance range. 1 is returned if the signal is settled within the tolerance range.
<b>Examples</b>	<code>FETCH:FSETTLING:SETTLED:PASS?</code> might return 1, indicating the signal is settled within the tolerance range.

### **FETCh:{FSETtling|PSETtling}:SETTled:FREQuency? (Query Only)**

Returns the frequency at which the signal is considered settled.

<b>Conditions</b>	Measurement views: Frequency and Phase Settling
<b>Group</b>	Fetch commands
<b>Syntax</b>	<code>FETCh:{FSETtling PSETtling}:SETTled:FREQuency?</code>
<b>Arguments</b>	None
<b>Returns</b>	<code>&lt;value&gt; :: &lt;Nrf&gt;</code> is the frequency at which the signal is settled.
<b>Examples</b>	<code>FETCH:FSETTLING:SETTLED:FREQUENCY?</code> might return <code>2.44838E+9</code> , indicating the input signal frequency at the point where the signal is considered settled is 2.44838 GHz.

### **FETCh:{FSETtling|PSETtling}:SETTled:TIME? (Query Only)**

Returns the settled time in seconds. The settled time is measured from the measurement start point.

<b>Conditions</b>	Measurement views: Frequency and Phase Settling
<b>Group</b>	Fetch commands

**Syntax**     `FETCh:{FSETtling|PSETtling}:SETTled:TIME?`

**Arguments**     None

**Returns**     `<value>` :: `<Nrf>` is the settled time in seconds.

**Examples**     `FETCh:FSETTLING:SETTLED:TIME?` might return `299.830000E-6`, indicating the settled time is 299.83  $\mu$ s.

## **FETCh:{FSETtling|PSETtling}:SLMSd[:PASS]? (Query Only)**

Returns whether the input signal is settled within the specified tolerance and the signal is settled longer than the Minimum Settled Duration (`[SENSe]:{FSETtling|PSETtling}:SDURation:MINimum`).

**Conditions**     Measurement views: Frequency and Phase Settling

**Group**     Fetch commands

**Syntax**     `FETCh:{FSETtling|PSETtling}:SLMSd[:PASS]?`

**Arguments**     None

**Returns**     0 is returned if the signal is not settled within the tolerance range and minimum settled duration..

1 is returned if the signal is settled within the tolerance range and minimum settled duration.

**Examples**     `FETCh:FSETTLING:SLMSD:PASS?` might return 1, indicating the signal is settled within the tolerance range and the minimum settled duration.

## **FETCh:{FSETtling|PSETtling}:START:TIME? (Query Only)**

Returns the start time for the measurement in seconds. The start time is measured from the start of the analysis period.

**Conditions**     Measurement views: Frequency and Phase Settling

<b>Group</b>	Fetch commands
<b>Syntax</b>	<code>FETCh:{FSETtling PSETtling}:START:TIME?</code>
<b>Arguments</b>	None
<b>Returns</b>	<code>&lt;value&gt; :: &lt;Nrf&gt;</code> is the time in seconds when the measurement started.
<b>Examples</b>	<code>FETCh:FSETTLING:START:TIME?</code> might return <code>251.4300E-6</code> , indicating the measurement started 251.43 $\mu$ s after the beginning of the analysis period.

### **FETCh:{FSETtling|PSETtling}:TIME? (Query Only)**

Returns the settling time in seconds. The settling time is measured from the start time (see `:FETCh:FSETtling:START:TIME`).

<b>Conditions</b>	Measurement views: Frequency and Phase Settling
<b>Group</b>	Fetch commands
<b>Syntax</b>	<code>FETCh:{FSETtling PSETtling}:TIME?</code>
<b>Arguments</b>	None
<b>Returns</b>	<code>&lt;value&gt; :: &lt;Nrf&gt;</code> is the settling time in seconds.
<b>Examples</b>	<code>FETCh:FSETTLING:TIME?</code> might return <code>48.4000E-6</code> , indicating the settling time is 48.4 $\mu$ s.

### **FETCh:{FSETtling|PSETtling}:TRACe<x>:X? (Query Only)**

Returns the Frequency or Phase values of the specified trace.

The parameter `<x>` = 1 and 2, representing Trace 1 and Trace 2, respectively.

<b>Conditions</b>	Measurement views: Frequency and Phase Settling
-------------------	---

<b>Group</b>	Fetch commands
<b>Syntax</b>	<code>FETCH:{FSETtling PSETtling}:TRACe&lt;x&gt;:X?</code>
<b>Arguments</b>	None
<b>Returns</b>	<code>#&lt;num_digit&gt;&lt;num_byte&gt;&lt;y(1)&gt;&lt;y(2)&gt;...&lt;y(n)&gt;</code> Where <num_digit> is the number of digits in <num_byte>. <num_byte> is the number of bytes of data that follow. <y(n)> is the frequency (Hz) or phase (degrees) at the n <sup>th</sup> data point, 4-byte little endian floating-point format specified in IEEE 488.2.
<b>Examples</b>	<code>FETCH:FSETTLING:TRACE1:X?</code> might return <code>#574232xxxx...</code> (74232-byte data) for the frequency values of Trace 1.

## **`FETCH:{FSETtling|PSETtling}:TRACe<x>:XY? (Query Only)`**

Returns the time and frequency or phase value pairs of the specified trace.  
 The parameter <x> = 1 and 2, representing Trace 1 and Trace 2, respectively.

<b>Conditions</b>	Measurement views: Frequency and Phase Settling
<b>Group</b>	Fetch commands
<b>Syntax</b>	<code>FETCH:{FSETtling PSETtling}:TRACe&lt;x&gt;:XY?</code>
<b>Arguments</b>	None
<b>Returns</b>	<code>#&lt;num_digit&gt;&lt;num_byte&gt;&lt;x(1)&gt;&lt;y(1)&gt;&lt;x(2)&gt;&lt;y(2)&gt;...&lt;x(n)&gt;&lt;y(n)&gt;</code> Where <num_digit> is the number of digits in <num_byte>. <num_byte> is the number of bytes of data that follow. <x(n)><y(n)> is the time and frequency or phase value pair at the n <sup>th</sup> data point, 4-byte little endian floating-point format specified in IEEE 488.2.

**Examples**    `FETCH:FSETTLING:TRACE2:XY?` might return `#574232xxxx...` (74232-byte data) for the time and frequency pairs of the Trace 2.

## **FETCH:{FSETtling|PSETtling}:TRACe<x>[:Y]? (Query Only)**

Returns the frequency or phase values of the specified trace.

The parameter `<x>` = 1 and 2, representing Trace 1 and Trace 2, respectively.

**Conditions**    Measurement views: Frequency and Phase Settling

**Group**    Fetch commands

**Syntax**    `FETCH:{FSETtling|PSETtling}:TRACe<x>[:Y]?`

**Arguments**    None

**Returns**    `#<num_digit><num_byte><y(1)><y(2)>...<y(n)>`

Where

`<num_digit>` is the number of digits in `<num_byte>`.

`<num_byte>` is the number of bytes of data that follow.

`<y(n)>` is the frequency or phase value at the  $n^{\text{th}}$  data point, 4-byte little endian floating-point format specified in IEEE 488.2.

**Examples**    `FETCH:FSETTLING:TRACE1:Y?` might return `#575148xxxx...` (75148-byte data) for the frequency values of Trace 1.

## **FETCH:{FSETtling|PSETtling}:TRIGger:TIME? (Query Only)**

Returns the time when the trigger occurred in seconds.

**Conditions**    Measurement views: Frequency and Phase Settling

**Group**    Fetch commands

**Syntax**    `FETCH:{FSETtling|PSETtling}:TRIGger:TIME?`

**Arguments**    None

**Returns** <value> :: <Nrf> is the time in seconds after the measurement start point when the trigger occurred.

**Examples** FETCH:FSETTLING:TRIGGER:TIME? might return 2.255E-6, indicating the time when the trigger occurred 255  $\mu$ s after the start of the measurement.

## FETCH:{FSETtling|PSETtling}:VALue? (Query Only)

Returns the settled value in Hz for Frequency Settling and in degrees for Phase Settling.

**Conditions** Measurement views: Frequency and Phase Settling

**Group** Fetch commands

**Syntax** FETCH:{FSETtling|PSETtling}:VALue?

**Arguments** None

**Returns** <value> :: <Nrf> is the settling value in Hz for Frequency Settling and in degrees for Phase Settling.

**Examples** FETCH:FSETTLING:VALUE? might return 2.44838155E+9, indicating the settled frequency is 2.44838 GHz.

## FETCH:FVTime? (Query Only)

Returns the Frequency versus Time trace data.

**Conditions** Measurement views: Frequency versus Time

**Group** Fetch commands

**Syntax** FETCH:FVTime?

**Arguments** None

**Returns** #<num\_digit><num\_byte><data(1)><data(2)>...<data(n)>

Where

<num\_digit> is the number of digits in <num\_byte>.

<num\_byte> is the number of bytes of data that follow.

<data(n)> is the frequency in Hz at the n<sup>th</sup> data point, 4-byte little endian floating-point format specified in IEEE 488.2.

**Examples** FETCH:FVTIME? might return #3156xxxx... (156-byte data) for the Frequency versus Time trace.

## FETCH:FVTime:MAXimum? (Query Only)

Returns the maximum value in the Frequency versus Time measurement.

**Conditions** Measurement views: Frequency versus Time

**Group** Fetch commands

**Syntax** FETCH:FVTime:MAXimum?

**Related Commands** [FETCH:FVTime:MAXLocation?](#)

**Arguments** None

**Returns** <max> :: <NRf> is the maximum frequency drift in Hz.

**Examples** FETCH:FVTime:MAXIMUM? might return 2.625E+6, indicating the maximum frequency drift is 2.625 MHz.

## FETCH:FVTime:MAXLocation? (Query Only)

Returns the time at which the frequency drift is maximum.

**Conditions** Measurement views: Frequency versus Time

**Group** Fetch commands

**Syntax**      `FETCh:FVTime:MAXLocation?`

**Related Commands**      [FETCh:FVTime:MAXimum?](#)

**Arguments**      None

**Returns**      `<max_time> :: <NRF>` is the time in seconds at which the frequency drift is maximum.

**Examples**      `FETCh:FVTime:MAXLOCATION?` might return `25.03E-9`, indicating the frequency drift is maximum at 25.03 ns.

## FETCh:FVTime:MINimum? (Query Only)

Returns the minimum value in the Frequency versus Time measurement.

**Conditions**      Measurement views: Frequency versus Time

**Group**      Fetch commands

**Syntax**      `FETCh:FVTime:MINimum?`

**Related Commands**      [FETCh:FVTime:MINLocation?](#)

**Arguments**      None

**Returns**      `<min> :: <NRF>` is the minimum frequency drift in Hz.

**Examples**      `FETCh:FVTime:MINIMUM?` might return `-6.618E+6`, indicating the minimum frequency drift is -6.618 MHz.

## FETCh:FVTime:MINLocation? (Query Only)

Returns the time at which the frequency drift is minimum.

**Conditions**      Measurement views: Frequency versus Time



<b>Group</b>	Fetch commands
<b>Syntax</b>	FETCH:FVTime:MINLocation?
<b>Related Commands</b>	<a href="#">FETCH:FVTime:MINimum?</a>
<b>Arguments</b>	None
<b>Returns</b>	<min_time> :: <Nrf> is the time in seconds at which the frequency drift is minimum.
<b>Examples</b>	FETCH:FVTIME:MINLOCATION? might return 450.7E-9, indicating the frequency drift is minimum at 450.7 ns.

## FETCH:FVTime:RESult? (Query Only)

Returns the Frequency versus Time measurement results.

<b>Conditions</b>	Measurement views: Frequency versus Time
<b>Group</b>	Fetch commands
<b>Syntax</b>	FETCH:FVTime:RESult?
<b>Arguments</b>	None
<b>Returns</b>	<max>,<max_time>,<min>,<min_time> Where <max> :: <Nrf> is the maximum frequency drift in Hz. <max_time> :: <Nrf> is the time in seconds at which the frequency drift is maximum. <min> :: <Nrf> is the minimum frequency drift in Hz. <min_time> :: <Nrf> is the time in seconds at which the frequency drift is minimum.
<b>Examples</b>	FETCH:FVTIME:RESULT? might return 2.625E+6,25.03E-9,-6.618E+6,450.7E-9, indicating

the maximum frequency drift is 2.625 MHz at 25.03 ns and  
the minimum frequency drift is -6.618 MHz at 450.7 ns.

## FETCh:IQVTime:I? (Query Only)

Returns the I versus Time trace data.

<b>Conditions</b>	Measurement views: RF I&Q versus Time
<b>Group</b>	Fetch commands
<b>Syntax</b>	FETCh:IQVTime:I?
<b>Arguments</b>	None
<b>Returns</b>	#<num_digit><num_byte><data(1)><data(2)>...<data(n)> Where <num_digit> is the number of digits in <num_byte>. <num_byte> is the number of bytes of data that follow. <data(n)> is the I level in volts at the n <sup>th</sup> data point, 4-byte little endian floating-point format specified in IEEE 488.2.
<b>Examples</b>	FETCh:IQVTime:I? might return #3160xxxx... (160-byte data) for the I versus Time trace.

## FETCh:IQVTime:MAXimum? (Query Only)

Returns the maximum value in the RF I&Q versus Time measurement.

<b>Conditions</b>	Measurement views: RF I&Q versus Time
<b>Group</b>	Fetch commands
<b>Syntax</b>	FETCh:IQVTime:MAXimum?
<b>Related Commands</b>	<a href="#">FETCh:IQVTime:MAXLocation?</a>

<b>Arguments</b>	None
<b>Returns</b>	<code>&lt;max&gt; :: &lt;NRf&gt;</code> is the maximum I or Q level in volts. Use the <a href="#">TRACe:IQVTime:SElect:I</a> or <a href="#">TRACe:IQVTime:SElect:Q</a> command to select the trace.
<b>Examples</b>	<code>FETCH:IQVTIME:MAXIMUM?</code> might return 1.214, indicating the maximum I or Q level is 1.214 V.

## FETCH:IQVTime:MAXLocation? (Query Only)

Returns the time at which the I or Q level is maximum.

<b>Conditions</b>	Measurement views: RF I&Q versus Time
<b>Group</b>	Fetch commands
<b>Syntax</b>	<code>FETCH:IQVTime:MAXLocation?</code>
<b>Related Commands</b>	<a href="#">FETCH:IQVTime:MAXimum?</a>
<b>Arguments</b>	None
<b>Returns</b>	<code>&lt;max_time&gt; :: &lt;NRf&gt;</code> is the time in seconds at which the I or Q level is maximum.
<b>Examples</b>	<code>FETCH:IQVTIME:MAXLOCATION?</code> might return 175.3E-9, indicating the I or Q level is maximum at 175.3 ns.

## FETCH:IQVTime:MINimum? (Query Only)

Returns the minimum value in the RF I&Q versus Time measurement.

<b>Conditions</b>	Measurement views: RF I&Q versus Time
<b>Group</b>	Fetch commands

**Syntax**      `FETCH:IQVTime:MINimum? imum`

**Related Commands**      [FETCH:IQVTime:MINLocation?](#)

**Arguments**      None

**Returns**      `<min> :: <NRf>` is the minimum I or Q level in volts.  
 Use the [TRACe:IQVTime:SElect:I](#) or [TRACe:IQVTime:SElect:Q](#) command to select the trace.

**Examples**      `FETCH:IQVTIME:MINIMUM?` might return `-370.5E-3`, indicating the minimum I or Q level is -370.5 mV.

## FETCH:IQVTime:MINLocation? (Query Only)

Returns the time at which the I or Q level is minimum.

**Conditions**      Measurement views: RF I&Q versus Time

**Group**      Fetch commands

**Syntax**      `FETCH:IQVTime:MINLocation?`

**Related Commands**      [FETCH:IQVTime:MINimum?](#)

**Arguments**      None

**Returns**      `<min_time> :: <NRf>` is the time in seconds at which the I or Q level is minimum.

**Examples**      `FETCH:IQVTIME:MINLOCATION?` might return `450.7E-9`, indicating the I or Q level is minimum at 450.7 ns.

## FETCh:IQVTime:Q? (Query Only)

Returns the Q versus Time trace data.

**Conditions** Measurement views: RF I&Q versus Time

**Group** Fetch commands

**Syntax** FETCh:IQVTime:Q?

**Arguments** None

**Returns** #<num\_digit><num\_byte><data(1)><data(2)>...<data(n)>

Where

<num\_digit> is the number of digits in <num\_byte>.

<num\_byte> is the number of bytes of data that follow.

<data(n)> is the Q level in volts at the n<sup>th</sup> data point,

4-byte little endian floating-point format specified in IEEE 488.2.

**Examples** FETCh:IQVTime:Q? might return #3160xxxx... (160-byte data) for the Q versus Time trace.

## FETCh:IQVTime:RESult? (Query Only)

Returns the RF I&Q versus Time measurement results.

**Conditions** Measurement views: RF I&Q versus Time

**Group** Fetch commands

**Syntax** FETCh:IQVTime:RESult?

**Arguments** None

**Returns** <max>,<max\_time>,<min>,<min\_time>

Where

<max> :: <Nrf> is the maximum I or Q level in volts.

`<max_time>` :: `<NRf>` is the time in seconds at which the I or Q level is maximum.

`<min>` :: `<NRf>` is the minimum I or Q level in volts.

`<min_time>` :: `<NRf>` is the time in seconds at which the I or Q level is minimum.

Use the [TRACe:IQVTime:SElect:I](#) or [TRACe:IQVTime:SElect:Q](#) command to select the trace.

**Examples** `FETCH:IQVTIME:RESULT?` might return  
`1.214,175.3E-9,-370.5E-3,450.7E-9`, indicating  
the maximum I or Q level is 1.214 V at 175.3 ns and  
the minimum I or Q level is -370.5 mV at 450.7 ns.

## FETCh:MCPower:ADJacent:CHANnels? (Query Only)

Returns the power of adjacent channels in order of increasing frequency.

**Conditions** Measurement views: MCPR

**Group** Fetch commands

**Syntax** `FETCh:MCPower:ADJacent:CHANnels?`

**Arguments** None

**Returns** `<acpr_lower(n)>, ... <acpr_lower(2)>, <acpr_lower(1)>, <acpr_upper(1)>, <acpr_upper(2)>, ... <acpr_upper(n)>`

Where

`<acpr_lower(n)>` is the ACPR for the lower channel #n in dB.

`<acpr_upper(n)>` is the ACPR for the upper channel #n in dB.

To add a pair of upper and lower adjacent channels, use the [\[SENSE\]:MCPower:CHANnel:ADJacent:ADD](#) command.

**Examples** `FETCH:MCPOWER:ADJACENT:CHANNELS?` might return  
`-4.420,-4.847,-4.316,-4.225`, indicating  
(ACPR for the lower channel 2) = -4.420 dB,  
(ACPR for the lower channel 1) = -4.847 dB,  
(ACPR for the upper channel 1) = -4.316 dB, and  
(ACPR for the upper channel 2) = -4.225 dB.

## FETCh:MCPower:CHANnel:POWer? (Query Only)

Returns the reference power in the MCPR measurement.

**Conditions** Measurement views: MCPR

**Group** Fetch commands

**Syntax** FETCh:MCPower:CHANnel:POWer?

**Arguments** None

**Returns** <ref\_power>:<Nrf> is the reference power in dBm.  
The unit can be changed by the [\[SENSE\]:POWER:UNITs](#) command.  
To select the power reference, use the [\[SENSE\]:MCPower:RCHannels?](#) commands.

**Examples** FETCh:MCPOWER:CHANNEL:POWER? might return 4.227, indicating that the reference power is 4.227 dBm.

## FETCh:MCPower:MAIN:CHANnels? (Query Only)

Returns the power of main channels in order of increasing frequency.

**Conditions** Measurement views: MCPR

**Group** Fetch commands

**Syntax** FETCh:MCPower:MAIN:CHANnels?

**Arguments** None

**Returns** <power\_main(1)>,<power\_main(2)>,...<power\_main(n)>

Where

<power\_main(n)> is the power of main channel #n in dBm.

The unit can be changed by the [\[SENSE\]:POWER:UNITs](#) command.

To specify the main channels, use the [SENSE]:MCPower:CHANnel:MAIN commands.

**Examples**     FETCH:MCPOWER:MAIN:CHANNELS? might return  
 -2.420, -2.847, -2.316, -2.225, indicating  
 (power of the main channel 1) = -2.420 dBm,  
 (power of the main channel 2) = -2.847 dBm,  
 (power of the main channel 3) = -2.316 dBm, and  
 (power of the main channel 4) = -2.225 dBm.

## FETCH:MCPower:SPECTrum? (Query Only)

Returns spectrum trace data of the MCPR measurement.

**Conditions**     Measurement views: MCPR

**Group**            Fetch commands

**Syntax**            FETCH:MCPower:SPECTrum?

**Arguments**        None

**Returns**            #<num\_digit><num\_byte><data(1)><data(2)>...<data(n)>

Where

<num\_digit> is the number of digits in <num\_byte>.

<num\_byte> is the number of bytes of data that follow.

<data(n)> is the amplitude in dBm at the n<sup>th</sup> data point,

4-byte little endian floating-point format specified in IEEE 488.2.

The unit can be changed by the [SENSE]:POWER:UNITs command.

**Examples**     FETCH:MCPOWER:SPECTRUM? might return #43204xxxx... (3204-byte data)  
 for the spectrum trace data of the MCPR measurement.

## FETCH:MERRor:FERRor? (Query Only)

Returns the frequency error in the Magnitude error versus Time measurement.

**Conditions**        Measurement views: Magnitude error versus Time



---

<b>Group</b>	Fetch commands
<b>Syntax</b>	FETCh:MERRor:FERRor?
<b>Arguments</b>	None
<b>Returns</b>	<freq_error> :: <NRf> is the frequency error in Hz.
<b>Examples</b>	FETCh:MERRor:FERRor? might return -10.7E+3, indicating the frequency error is -10.7 kHz.

### FETCh:MERRor:PEAK? (Query Only)

Returns the peak value in the Magnitude error versus Time measurement.

<b>Conditions</b>	Measurement views: Magnitude error versus Time
<b>Group</b>	Fetch commands
<b>Syntax</b>	FETCh:MERRor:PEAK?
<b>Related Commands</b>	<a href="#">FETCh:MERRor:PINDex?</a>
<b>Arguments</b>	None
<b>Returns</b>	<peak> :: <NRf> is the peak magnitude error in percent (%).
<b>Examples</b>	FETCh:MERRor:PEAK? might return 1.57, indicating the peak magnitude error is 1.57%.

### FETCh:MERRor:PINDex? (Query Only)

Returns the time at the magnitude error peak.

<b>Conditions</b>	Measurement views: Magnitude error versus Time
-------------------	--

<b>Group</b>	Fetch commands
<b>Syntax</b>	FETCh:MERRor:PINdEx?
<b>Related Commands</b>	<a href="#">FETCh:MERRor:PEAK?</a>
<b>Arguments</b>	None
<b>Returns</b>	<peak_time> :: <Nrf> is the time at the magnitude error peak in symbol number. The unit can be changed by the <a href="#">[SENSe]:DDEMod:TIME:UNITs</a> command.
<b>Examples</b>	FETCh:MERRor:PINdEx? might return 68.000, indicating that the magnitude error peak is at symbol #68.

## FETCh:MERRor:RMS? (Query Only)

Returns the RMS (Root-Mean-Square) value in the Magnitude error versus Time measurement.

<b>Conditions</b>	Measurement views: Magnitude error versus Time
<b>Group</b>	Fetch commands
<b>Syntax</b>	FETCh:MERRor:RMS?
<b>Arguments</b>	None
<b>Returns</b>	<rms> :: <Nrf> is the RMS magnitude error in percent (%).
<b>Examples</b>	FETCh:MERRor:RMS? might return 0.382, indicating the magnitude error is 0.382% RMS.

## FETCh:MERRor:TRACe? (Query Only)

Returns the Magnitude error versus Time trace data.

<b>Conditions</b>	Measurement views: Magnitude error versus Time
<b>Group</b>	Fetch commands
<b>Syntax</b>	FETCh:MERRor:TRACe?
<b>Arguments</b>	None
<b>Returns</b>	<code>#&lt;num_digit&gt;&lt;num_byte&gt;&lt;data(1)&gt;&lt;data(2)&gt;...&lt;data(n)&gt;</code> Where <code>&lt;num_digit&gt;</code> is the number of digits in <code>&lt;num_byte&gt;</code> . <code>&lt;num_byte&gt;</code> is the number of bytes of data that follow. <code>&lt;data(n)&gt;</code> is the magnitude error in percent (%) at the $n^{\text{th}}$ data point, 4-byte little endian floating-point format specified in IEEE 488.2.
<b>Examples</b>	FETCh:MERRor:TRACe? might return <code>#42036xxxx...</code> (2036-byte data) for the Magnitude error versus Time trace.

## FETCh:OBWidth:FREQuency:ERRor? (Query Only)

Returns the frequency error in the Occupied Bandwidth measurement.

<b>Conditions</b>	Measurement views: Occupied Bandwidth
<b>Group</b>	Fetch commands
<b>Syntax</b>	FETCh:OBWidth:FREQuency:ERRor?
<b>Arguments</b>	None
<b>Returns</b>	<code>&lt;freq_error&gt; :: &lt;NRf&gt;</code> is the frequency error in Hz.

**Examples**     `FETCH:OBWIDTH:FREQUENCY:ERROR?` might return `-10.7E+3`, indicating the frequency error is -10.7 kHz.

## **FETCh:OBWidth:OBWidth:BANDwidth? (Query Only)**

Returns the occupied bandwidth in the Occupied Bandwidth measurement.

**Conditions**     Measurement views: Occupied Bandwidth

**Group**     Fetch commands

**Syntax**     `FETCh:OBwidth:OBwidth:BANDwidth?`

**Arguments**     None

**Returns**     `<OBW> :: <NRf>` is the occupied bandwidth in Hz.

**Examples**     `FETCH:OBWIDTH:OBWIDTH:BANDWIDTH?` might return `4.0E+6`, indicating the occupied bandwidth is 4 MHz.

## **FETCh:OBWidth:OBWidth:LEFT:FREQuency? (Query Only)**

Returns the left (lower) frequency of the occupied bandwidth.

**Conditions**     Measurement views: Occupied Bandwidth

**Group**     Fetch commands

**Syntax**     `FETCh:OBwidth:OBwidth:LEFT:FREQuency?`

**Related Commands**     [FETCh:OBWidth:OBWidth:RIGHT:FREQuency?](#)

**Arguments**     None

**Returns**     `<OBW_left_freq> :: <NRf>` is the left frequency in Hz.

**Examples**     `FETCH:OBWIDTH:OBWIDTH:LEFT:FREQUENCY?` might return `1.498E+9`, indicating the left frequency is 1.498 GHz.

## `FETCH:OBWidth:OBWidth:LEFT:LEVel? (Query Only)`

Returns the level at the left frequency of the occupied bandwidth.

**Conditions**     Measurement views: Occupied Bandwidth

**Group**     Fetch commands

**Syntax**     `FETCH:OBwidth:OBwidth:LEFT:LEVel?`

**Related Commands**     [FETCH:OBWidth:OBWidth:RIGHT:LEVel?](#)

**Arguments**     None

**Returns**     `<OBW_left_level> :: <NRf>` is the level at the left frequency in dB.

**Examples**     `FETCH:OBWIDTH:OBWIDTH:LEFT:LEVEL?` might return `-23.5`, indicating the level at the left frequency is -23.5 dB.

## `FETCH:OBWidth:OBWidth:POWer? (Query Only)`

Returns the reference power in the Occupied Bandwidth measurement.

**Conditions**     Measurement views: Occupied Bandwidth

**Group**     Fetch commands

**Syntax**     `FETCH:OBwidth:OBwidth:POWer?`

**Arguments**     None

**Returns**     `<OBW_ref_power> :: <NRf>` is the reference power in dBm. The unit can be changed by the [\[SENSE\]:POWER:UNITs](#) command.

**Examples**     `FETCH:OBWIDTH:OBWIDTH:POWER?` might return `-10.0`, indicating the reference power is `-10 dBm`.

## **FETCh:OBWidth:OBWidth:RIGHT:FREQuency? (Query Only)**

Returns the right (higher) frequency of the occupied bandwidth.

**Conditions**     Measurement views: Occupied Bandwidth

**Group**     Fetch commands

**Syntax**     `FETCh:OBWidth:OBWidth:RIGHT:FREQuency?`

**Related Commands**     [FETCh:OBWidth:OBWidth:LEFT:FREQuency?](#)

**Arguments**     None

**Returns**     `<OBW_right_freq> :: <NRf>` is the right frequency in Hz.

**Examples**     `FETCH:OBWIDTH:OBWIDTH:RIGHT:FREQUENCY?` might return `1.502E+9`, indicating the right frequency is `1.502 GHz`.

## **FETCh:OBWidth:OBWidth:RIGHT:LEVEl? (Query Only)**

Returns the level at the right frequency of the occupied bandwidth.

**Conditions**     Measurement views: Occupied Bandwidth

**Group**     Fetch commands

**Syntax**     `FETCh:OBWidth:OBWidth:RIGHT:LEVEl?`

**Related Commands**     [FETCh:OBWidth:OBWidth:LEFT:LEVEl?](#)

**Arguments**     None

**Returns** <OBW\_right\_level> :: <Nrf> is the level at the right frequency in dB.

**Examples** FETCH:OBWIDTH:OBWIDTH:RIGHT:LEVEL? might return -23.5, indicating the level at the right frequency is -23.5 dB.

## FETCH:OBWidth:SPECTrum? (Query Only)

Returns spectrum trace data of the Occupied Bandwidth measurement.

**Conditions** Measurement views: Occupied Bandwidth

**Group** Fetch commands

**Syntax** FETCH:OBwidth:SPECTrum?

**Arguments** None

**Returns** #<num\_digit><num\_byte><data(1)><data(2)>...<data(n)>

Where

<num\_digit> is the number of digits in <num\_byte>.

<num\_byte> is the number of bytes of data that follow.

<data(n)> is the amplitude in dBm at the n<sup>th</sup> data point, 4-byte little endian floating-point format specified in IEEE 488.2.

The unit can be changed by the [\[SENSE\]:POWER:UNITS](#) command.

**Examples** FETCH:OBWIDTH:SPECTRUM? might return #43204xxxx... (3204-byte data) for the spectrum trace data of the Occupied Bandwidth measurement.

## FETCH:OBWidth:XDBBandwidth:BANDwidth? (Query Only)

Returns the x dB bandwidth in the Occupied Bandwidth measurement.

**Conditions** Measurement views: Occupied Bandwidth

**Group** Fetch commands

**Syntax** FETCH:OBwidth:XDBBandwidth:BANDwidth?

<b>Arguments</b>	None
<b>Returns</b>	<xdbbw> :: <Nrf> is the x dB bandwidth in Hz.
<b>Examples</b>	FETCH:OBWIDTH:XDBBANDWIDTH:BANDWIDTH? might return 2.0E+6, indicating the x dB bandwidth is 2 MHz.

## FETCH:OBWidth:XDBBandwidth:LEFT:FREQUENCY? (Query Only)

Returns the left (lower) frequency of the x dB bandwidth.

<b>Conditions</b>	Measurement views: Occupied Bandwidth
<b>Group</b>	Fetch commands
<b>Syntax</b>	FETCH:OBwidth:XDBBandwidth:LEFT:FREQUENCY?
<b>Related Commands</b>	<a href="#">FETCH:OBWidth:XDBBandwidth:RIGHT:FREQUENCY?</a>
<b>Arguments</b>	None
<b>Returns</b>	<xdbbw_left_freq> :: <Nrf> is the left frequency in Hz.
<b>Examples</b>	FETCH:OBWIDTH:XDBBANDWIDTH:LEFT:FREQUENCY? might return 1.498E+9, indicating the left frequency is 1.498 GHz.

## FETCH:OBWidth:XDBBandwidth:LEFT:LEVEL? (Query Only)

Returns the level at the left frequency of the x dB bandwidth.

<b>Conditions</b>	Measurement views: Occupied Bandwidth
<b>Group</b>	Fetch commands
<b>Syntax</b>	FETCH:OBwidth:XDBBandwidth:LEFT:LEVEL?



<b>Related Commands</b>	<a href="#">FETCh:OBWidth:XDBBandwidth:RIGHT:LEVEL?</a>
<b>Arguments</b>	None
<b>Returns</b>	<xdbBW_left_level> :: <Nrf> is the level at the left frequency in dB.
<b>Examples</b>	FETCh:OBWidth:XDBBandwidth:LEFT:LEVEL? might return -23.5, indicating the level at the left frequency is -23.5 dB.

## FETCh:OBWidth:XDBBandwidth:POWER? (Query Only)

Returns the reference power in the x dB bandwidth measurement.

<b>Conditions</b>	Measurement views: Occupied Bandwidth
<b>Group</b>	Fetch commands
<b>Syntax</b>	FETCh:OBWidth:XDBBandwidth:POWER?
<b>Arguments</b>	None
<b>Returns</b>	<xdbBW_ref_power> :: <Nrf> is the reference power in dBm. The unit can be changed by the <a href="#">[SENSe]:POWER:UNITS</a> command.
<b>Examples</b>	FETCh:OBWidth:XDBBandwidth:POWER? might return -10.0, indicating the reference power is -10 dBm.

## FETCh:OBWidth:XDBBandwidth:RIGHT:FREQUENCY? (Query Only)

Returns the right (higher) frequency of the x dB bandwidth.

<b>Conditions</b>	Measurement views: Occupied Bandwidth
<b>Group</b>	Fetch commands
<b>Syntax</b>	FETCh:OBWidth:XDBBandwidth:RIGHT:FREQUENCY?

<b>Related Commands</b>	<a href="#">FETCh:OBWidth:XDBBandwidth:LEFT:FREQuency?</a>
<b>Arguments</b>	None
<b>Returns</b>	<xdbbw_right_freq> :: <NRf> is the right frequency in Hz.
<b>Examples</b>	FETCh:OBWidth:XDBBandwidth:RIGHT:FREQUENCY? might return 1.502E+9, indicating the right frequency is 1.502 GHz.

## FETCh:OBWidth:XDBBandwidth:RIGHT:LEVel? (Query Only)

Returns the level at the right frequency of the x dB bandwidth.

<b>Conditions</b>	Measurement views: Occupied Bandwidth
<b>Group</b>	Fetch commands
<b>Syntax</b>	FETCh:OBwidth:XDBBandwidth:RIGHT:LEVel?
<b>Related Commands</b>	<a href="#">FETCh:OBWidth:XDBBandwidth:LEFT:LEVel?</a>
<b>Arguments</b>	None
<b>Returns</b>	<xdbbw_right_level> :: <NRf> is the level at the right frequency in dB.
<b>Examples</b>	FETCh:OBWidth:XDBBandwidth:RIGHT:LEVEL? might return -23.5, indicating the level at the right frequency is -23.5 dB.

## FETCh:OFDM:APOWer? (Query Only)

Returns the average power in the OFDM measurement.

<b>Conditions</b>	Measurement views: OFDM
<b>Group</b>	Fetch commands

---

<b>Syntax</b>	<code>FETCh:OFDM:APOWer?</code>
<b>Arguments</b>	None
<b>Returns</b>	<code>&lt;apower&gt;::&lt;NRf&gt;</code> the average power in dB.
<b>Examples</b>	<code>FETCh:OFDM:APOWer?</code> might return <code>-23.4584459235</code> indicating the average power is <code>-23.46</code> dB.

### **FETCh:OFDM:APOWer:PEAK? (Query Only)**

Returns the peak-to-average power in the OFDM measurement.

<b>Conditions</b>	Measurement views: OFDM
<b>Group</b>	Fetch commands
<b>Syntax</b>	<code>FETCh:OFDM:APOWer:PEAK?</code>
<b>Arguments</b>	None
<b>Returns</b>	<code>&lt;apower_peak&gt;::&lt;NRf&gt;</code> is the peak-to-average power in dBm.
<b>Examples</b>	<code>FETCh:OFDM:APOWer:PEAK?</code> might return <code>10.4140096289</code> indicating that peak-to-average power is <code>10.41</code> dBm.

### **FETCh:OFDM:CONSte:MAGNitude? (Query Only)**

Returns the constellation magnitude data for the OFDM measurement.

<b>Conditions</b>	Measurement views: OFDM
<b>Group</b>	Fetch commands
<b>Syntax</b>	<code>FETCh:OFDM:CONSte:MAGNitude?</code>

<b>Related Commands</b>	<a href="#">FETCh:OFDM:CONStE:PHASe?</a> <a href="#">FETCh:OFDM:CONStE:TYPE?</a> <a href="#">FETCh:OFDM:CONStE:VALue?</a>
<b>Arguments</b>	None
<b>Returns</b>	#<num_digit><num_byte><data(1)><data(2)>...<data(n)> Where <num_digit> is the number of digits in <num_byte>. <num_byte> is the number of bytes of data that follow. <data(n)> is the data value at the n <sup>th</sup> data point in percent (%), 4-byte little endian floating-point format specified in IEEE 488.2.
<b>Examples</b>	FETCh:OFDM:CONStE:MAGNITUDE? might return #510400xxxx... (10400-byte data) for the measurement.

## FETCh:OFDM:CONStE:PHASe? (Query Only)

Returns the constellation phase values of the OFDM measurement.

<b>Conditions</b>	Measurement views: OFDM
<b>Group</b>	Fetch commands
<b>Syntax</b>	FETCh:OFDM:CONStE:PHASe?
<b>Related Commands</b>	<a href="#">FETCh:OFDM:CONStE:MAGNitude?</a> <a href="#">FETCh:OFDM:CONStE:TYPE?</a> <a href="#">FETCh:OFDM:CONStE:VALue?</a>
<b>Arguments</b>	None
<b>Returns</b>	#<num_digit><num_byte><data(1)><data(2)>...<data(n)> Where <num_digit> is the number of digits in <num_byte>. <num_byte> is the number of bytes of data that follow. <data(n)> is the data value at the n <sup>th</sup> data point in 4-byte little endian floating-point format specified in IEEE 488.2.

**Examples**    `FETCH:OFDM:CONStE:PHASe?` might return `#510400xxxx...` (10400-byte data) for the measurement.

## FETCH:OFDM:CONStE:TYPE? (Query Only)

Returns the constellation context value of the OFDM measurement.

**Conditions**    Measurement views: OFDM

**Group**    Fetch commands

**Syntax**    `FETCH:OFDM:CONStE:TYPE?`

**Related Commands**    [FETCH:OFDM:CONStE:MAGNitude?](#)  
[FETCH:OFDM:CONStE:PHASe?](#)  
[FETCH:OFDM:CONStE:VALue?](#)

**Arguments**    None

**Returns**    `#<num_digit><num_byte><data(1)><data(2)>...<data(n)>`

Where

`<num_digit>` is the number of digits in `<num_byte>`.

`<num_byte>` is the number of bytes of data that follow.

`<data(n)>` is the data value at the  $n^{\text{th}}$  data point in 16-bit little endian integers. The integers must be translated to the proper context as listed below.

Integer value	Type (context)
0	Pilot
1	Data
2	Unused or Null

**Examples**    `FETCH:OFDM:CONStE:TYPE?` might return `#41352` (1352-byte data) for the measurement. The actual data must be decoded to the context type using the table above.

## FETCh:OFDM:CONStE:VALue? (Query Only)

Returns the constellation value (decoded symbol) of the OFDM measurement.

<b>Conditions</b>	Measurement views: OFDM
<b>Group</b>	Fetch commands
<b>Syntax</b>	FETCh:OFDM:CONStE:VALue?
<b>Related Commands</b>	<a href="#">FETCh:OFDM:CONStE:MAGNitude?</a> <a href="#">FETCh:OFDM:CONStE:PHASe?</a> <a href="#">FETCh:OFDM:CONStE:TYPE?</a>
<b>Arguments</b>	None
<b>Returns</b>	#<num_digit><num_byte><data(1)><data(2)>...<data(n)> Where <num_digit> is the number of digits in <num_byte>. <num_byte> is the number of bytes of data that follow. <data(n)> is the data value at the n <sup>th</sup> data point in 16-bit little endian integers.
<b>Examples</b>	FETCh:OFDM:CONStE:VALue? might return #41352 indicating 1352 bytes of data for the measurement.

## FETCh:OFDM:CPE? (Query Only)

Returns the Common Pilot Error magnitude for the OFDM measurement

<b>Conditions</b>	Measurement views: OFDM
<b>Group</b>	Fetch commands
<b>Syntax</b>	FETCh:OFDM:CPE?
<b>Arguments</b>	None

**Returns** <NRf> the RMS magnitude error in percent.

**Examples** FETCH:OFDM:CPE? might return 3.7868041505 indicating that the CPE is 3.787%.

## FETCh:OFDM:CRESpOse:MAGNitude? (Query Only)

Returns the channel response magnitude data for the OFDM measurement.

**Conditions** Measurement views: OFDM

**Group** Fetch commands

**Syntax** FETCh:OFDM:CRESpOse:MAGNitude?

**Arguments** None

**Returns** #<num\_digit><num\_byte><data(1)><data(2)>...<data(n)>

Where

<num\_digit> is the number of digits in <num\_byte>.

<num\_byte> is the number of bytes of data that follow.

<data(n)> is the data value at the n<sup>th</sup> data point in percent (%), 4-byte little endian floating-point format specified in IEEE 488.2.

**Examples** FETCH:OFDM:CRESPONSE:MAGNITUDE? might return #3804xxxx. . . .  
(804 byte data) for the measurement.

## FETCh:OFDM:CRESpOse:PHASe? (Query Only)

Returns the channel response phase data for the OFDM measurement.

**Conditions** Measurement views: OFDM

**Group** Fetch commands

**Syntax** FETCh:OFDM:CRESpOse:PHASe?

<b>Arguments</b>	None
<b>Returns</b>	#<num_digit><num_byte><data(1)><data(2)>...<data(n)> Where <num_digit> is the number of digits in <num_byte>. <num_byte> is the number of bytes of data that follow. <data(n)> is the data value at the n <sup>th</sup> data point in percent (%), 4-byte little endian floating-point format specified in IEEE 488.2.
<b>Examples</b>	FETCH:OFDM:CRESPONSE:PHASE? might return #3804xxxx. . . . (804 byte data) for the measurement.

## FETCH:OFDM:EVM:PEAK:DECibel:ALL? (Query Only)

Returns the peak EVM data for all subcarriers in the OFDM measurement.

<b>Conditions</b>	Measurement views: OFDM
<b>Group</b>	Fetch commands
<b>Syntax</b>	FETCH:OFDM:EVM:PEAK:DECibel:ALL?
<b>Arguments</b>	None
<b>Returns</b>	<NRf> data in dB.
<b>Examples</b>	FETCH:OFDM:EVM:PEAK:DECIBEL:ALL? might return -20.1872549032 indicating the data is -20.19 dB for the measurement.

## FETCH:OFDM:EVM:PEAK:DECibel:DATA? (Query Only)

Returns the peak EVM data for the data subcarriers in the OFDM measurement.

<b>Conditions</b>	Measurement views: OFDM
<b>Group</b>	Fetch commands



---

<b>Syntax</b>	<code>FETCh:OFDM:EVM:PEAK:DECibel:DATA?</code>
<b>Arguments</b>	None
<b>Returns</b>	<NRf> data in dB.
<b>Examples</b>	<code>FETCh:OFDM:EVM:PEAK:DECIBEL:DATA?</code> might return <code>-20.1872549032</code> indicating the data is <code>-20.19</code> dB for the measurement.

### **FETCh:OFDM:EVM:PEAK:DECibel:PILOts? (Query Only)**

Returns the peak EVM data for the pilot subcarriers in the OFDM measurement.

<b>Conditions</b>	Measurement views: OFDM
<b>Group</b>	Fetch commands
<b>Syntax</b>	<code>FETCh:OFDM:EVM:PEAK:DECibel:PILOts?</code>
<b>Arguments</b>	None
<b>Returns</b>	<NRf> data in dB.
<b>Examples</b>	<code>FETCh:OFDM:EVM:PEAK:DECIBEL:PILOTS?</code> might return <code>-20.2872549032</code> indicating the data is <code>-20.29</code> dB for the measurement.

### **FETCh:OFDM:EVM:PEAK:PERCent:ALL? (Query Only)**

Returns the peak EVM data for all subcarriers in the OFDM measurement as a percent.

<b>Conditions</b>	Measurement views: OFDM
<b>Group</b>	Fetch commands
<b>Syntax</b>	<code>FETCh:OFDM:EVM:PEAK:PERCent:ALL?</code>

<b>Arguments</b>	None
<b>Returns</b>	<NRf> data in percent.
<b>Examples</b>	FETCH:OFDM:EVM:PEAK:PERCENT:ALL? might return 19.3223863840 indicating the data is 19.322% for the measurement.

## **FETCh:OFDM:EVM:PEAK:PERCent:DATA? (Query Only)**

Returns the peak EVM data for the data subcarriers in the OFDM measurement as a percent.

<b>Conditions</b>	Measurement views: OFDM
<b>Group</b>	Fetch commands
<b>Syntax</b>	FETCH:OFDM:EVM:PEAK:PERCent:DATA?
<b>Arguments</b>	None
<b>Returns</b>	<NRf> data in percent.
<b>Examples</b>	FETCH:OFDM:EVM:PEAK:PERCENT:DATA? might return 19.3223863840 indicating the data is 19.322% for the measurement.

## **FETCh:OFDM:EVM:PEAK:PERCent:PILOts? (Query Only)**

Returns the peak EVM data for the pilot subcarriers in the OFDM measurement as a percent.

<b>Conditions</b>	Measurement views: OFDM
<b>Group</b>	Fetch commands
<b>Syntax</b>	FETCH:OFDM:EVM:PEAK:PERCent:PILOts?

---

<b>Arguments</b>	None
<b>Returns</b>	<NRf> data in percent.
<b>Examples</b>	<code>FETCH:OFDM:EVM:PEAK:PERCENT:PILOTS?</code> might return <code>10.8543863840</code> indicating the data is 10.854% for the measurement.

## **FETCH:OFDM:EVM:PEAK:SCARrier:ALL? (Query Only)**

Returns the peak EVM data for all subcarriers at the subcarrier level in the OFDM measurement.

<b>Conditions</b>	Measurement views: OFDM
<b>Group</b>	Fetch commands
<b>Syntax</b>	<code>FETCH:OFDM:EVM:PEAK:SCARrier:ALL?</code>
<b>Arguments</b>	None
<b>Returns</b>	<NR1>
<b>Examples</b>	<code>FETCH:OFDM:EVM:PEAK:SCARRIER:ALL?</code> might return <code>99.00000</code> indicating the data is 99 for the measurement.

## **FETCH:OFDM:EVM:PEAK:SCARrier:DATA? (Query Only)**

Returns the peak EVM data for all data subcarriers at the subcarrier level in the OFDM measurement.

<b>Conditions</b>	Measurement views: OFDM
<b>Group</b>	Fetch commands
<b>Syntax</b>	<code>FETCH:OFDM:EVM:PEAK:SCARrier:DATA?</code>

<b>Arguments</b>	None
<b>Returns</b>	<NR1>
<b>Examples</b>	FETCH:OFDM:EVM:PEAK:SCARRIER:DATA? might return 99.00000 indicating the data is 99 for the measurement.

### **FETCh:OFDM:EVM:PEAK:SCARrier:PILOts? (Query Only)**

Returns the peak EVM data for the pilot subcarriers at the subcarrier level in the OFDM measurement.

<b>Conditions</b>	Measurement views: OFDM
<b>Group</b>	Fetch commands
<b>Syntax</b>	FETCh:OFDM:EVM:PEAK:SCARrier:PILOts?
<b>Arguments</b>	None
<b>Returns</b>	<NR1>
<b>Examples</b>	FETCH:OFDM:EVM:PEAK:SCARRIER:PILOTS? might return 88.00000 indicating the data is 88for the measurement

### **FETCh:OFDM:EVM:PEAK:SYMBol:ALL? (Query Only)**

Returns the peak EVM data for all subcarriers at the symbol level in the OFDM measurement.

<b>Conditions</b>	Measurement views: OFDM
<b>Group</b>	Fetch commands
<b>Syntax</b>	FETCh:OFDM:EVM:PEAK:SYMBol:ALL?

---

<b>Arguments</b>	None
<b>Returns</b>	<NR1>
<b>Examples</b>	<code>FETCH:OFDM:EVM:PEAK:SYMBOL:ALL?</code> might return <code>2.00000</code> indicating the data is 2 for the measurement

## **FETCH:OFDM:EVM:PEAK:SYMBOL:DATA? (Query Only)**

Returns the peak EVM data for the data subcarriers at the symbol level in the OFDM measurement.

<b>Conditions</b>	Measurement views: OFDM
<b>Group</b>	Fetch commands
<b>Syntax</b>	<code>FETCH:OFDM:EVM:PEAK:SYMBOL:DATA?</code>
<b>Arguments</b>	None
<b>Returns</b>	<NR1>
<b>Examples</b>	<code>FETCH:OFDM:EVM:PEAK:SYMBOL:DATA?</code> might return <code>2.00000</code> indicating the data is 2 for the measurement

## **FETCH:OFDM:EVM:PEAK:SYMBOL:PILots? (Query Only)**

Returns the peak EVM data for the pilot subcarriers at the symbol level in the OFDM measurement.

<b>Conditions</b>	Measurement views: OFDM
<b>Group</b>	Fetch commands
<b>Syntax</b>	<code>FETCH:OFDM:EVM:PEAK:SYMBOL:PILots?</code>

<b>Arguments</b>	None
<b>Returns</b>	<NR1>
<b>Examples</b>	FETCH:OFDM:EVM:PEAK:SYMBOL:PILOTS? might return 1.00000 indicating the data is 1 for the measurement

## **FETCH:OFDM:EVM:RMS:DECibel:ALL? (Query Only)**

Returns the RMS EVM data for all subcarriers in the OFDM measurement.

<b>Conditions</b>	Measurement views: OFDM
<b>Group</b>	Fetch commands
<b>Syntax</b>	FETCH:OFDM:EVM:RMS:DECibel:ALL?
<b>Arguments</b>	None
<b>Returns</b>	<NRf> data in dB.
<b>Examples</b>	FETCH:OFDM:EVM:RMS:DECIBEL:ALL? might return -26.9012093267 indicating the data is -26.90 for the measurement.

## **FETCH:OFDM:EVM:RMS:DECibel:DATA? (Query Only)**

Returns the RMS EVM data for the data subcarriers in the OFDM measurement.

<b>Conditions</b>	Measurement views: OFDM
<b>Group</b>	Fetch commands
<b>Syntax</b>	FETCH:OFDM:EVM:RMS:DECibel:DATA?
<b>Arguments</b>	None

**Returns** <NRf> data in dB.

**Examples** `FETCH:OFDM:EVM:RMS:DECIBEL:DATA?` might return `-26.8477116269` indicating the data is `-26.85` for the measurement.

## **FETCH:OFDM:EVM:RMS:DECibel:PILOTS? (Query Only)**

Returns the RMS EVM data for the pilot subcarriers in the OFDM measurement.

**Conditions** Measurement views: OFDM

**Group** Fetch commands

**Syntax** `FETCH:OFDM:EVM:RMS:DECibel:PILOTS?`

**Arguments** None

**Returns** <NRf> data in dB.

**Examples** `FETCH:OFDM:EVM:RMS:DECIBEL:PILOTS?` might return `-33.0589143032` indicating the data is `-33.06` dB.

## **FETCH:OFDM:EVM:RMS:PERCent:ALL? (Query Only)**

Returns the peak RMS data for all subcarriers in the OFDM measurement as a percent.

**Conditions** Measurement views: OFDM

**Group** Fetch commands

**Syntax** `FETCH:OFDM:EVM:RMS:PERCent:ALL?`

**Arguments** None

**Returns** <NRf> data in percent.

**Examples**     `FETCH:OFDM:EVM:RMS:PERCENT:ALL?` might return `225.0743627548` indicating the data is 225.074% for the measurement.

## **FETCH:OFDM:EVM:RMS:PERCent:DATA? (Query Only)**

Returns the peak RMS data for the data subcarriers in the OFDM measurement as a percent.

**Conditions**     Measurement views: OFDM

**Group**     Fetch commands

**Syntax**     `FETCH:OFDM:EVM:RMS:PERCent:DATA?`

**Arguments**     None

**Returns**     `<NRf>` data in percent.

**Examples**     `FETCH:OFDM:EVM:RMS:PERCENT:DATA?` might return `260.6973409653` indicating that the data is 260.697% for the measurement.

## **FETCH:OFDM:EVM:RMS:PERCent:PILOts? (Query Only)**

Returns the peak RMS data for the pilot subcarriers in the OFDM measurement as a percent.

**Conditions**     Measurement views: OFDM

**Group**     Fetch commands

**Syntax**     `FETCH:OFDM:EVM:RMS:PERCent:PILOts?`

**Arguments**     None

**Returns**     `<NRf>` data in percent.



**Examples**    `FETCH:OFDM:EVM:RMS:PERCENT:PILOTS?` might return `210.8103863840` indicating the data is 210.810% for the measurement.

## FETCH:OFDM:EVM:TRACe(x)? (Query Only)

Returns the EVM trace data for the OFDM measurement.

When `<x>` is 1, the parameter is Matrix.

When `<x>` is 2, the parameter is Average versus Symbols.

When `<x>` is 3, the parameter is Average versus Subcarrier.

**Conditions**    Measurement views: OFDM

**Group**        Fetch commands

**Syntax**       `FETCH:OFDM:EVM:TRACe(x)?`

**Arguments**    None

**Returns**       `#<num_digit><num_byte><data(1)><data(2)>...<data(n)>`

Where

`<num_digit>` is the number of digits in `<num_byte>`.

`<num_byte>` is the number of bytes of data that follow.

`<data(n)>` is the data value at the  $n^{\text{th}}$  data point in percent (%), 4-byte little endian floating-point format specified in IEEE 488.2.

**Examples**    `FETCH:OFDM:EVM:TRACe2?` might return `#252xxxx . . .` (52 byte data) for the Average versus Symbols measurement.

## FETCH:OFDM:FERRor? (Query Only)

Returns the Frequency error reading for the OFDM measurement.

**Conditions**    Measurement views: OFDM

**Group**        Fetch commands

<b>Syntax</b>	FETCh:OFDM:FERRor?
<b>Arguments</b>	None
<b>Returns</b>	<NRf> frequency error.
<b>Examples</b>	FETCh:OFDM:FERRor? might return 82.8617142098E+3 indicating the frequency error was 82.86 kHz.

### **FETCh:OFDM:GAIN:IMBalance? (Query Only)**

Returns the gain imbalance for the OFDM measurement.

<b>Conditions</b>	Measurement views: OFDM
<b>Group</b>	Fetch commands
<b>Syntax</b>	FETCh:OFDM:GAIN:IMBalance?
<b>Arguments</b>	None
<b>Returns</b>	<NRf> gain imbalance in dB.
<b>Examples</b>	FETCh:OFDM:GAIN:IMBALANCE? might return -57.746E-3 indicating that the gain imbalance is -0.057746 dB.

### **FETCh:OFDM:IQ:ORIGin:OFFSet? (Query Only)**

Returns the IQ origin offset for the OFDM measurement.

<b>Conditions</b>	Measurement views: OFDM
<b>Group</b>	Fetch commands
<b>Syntax</b>	FETCh:OFDM:IQ:ORIGin:OFFSet?

<b>Arguments</b>	None
<b>Returns</b>	<NRf> gain imbalance in dB.
<b>Examples</b>	FETCH:OFDM:IQ:ORIGIN:OFFSET? might return -53.47017 indicating that the IQ origin offset is -53.47 dB.

## FETCH:OFDM:MERRor:TRACe(x)? (Query Only)

Returns the magnitude error trace data for the OFDM measurement.

When <x> is 1, the parameter is Matrix.

When <x> is 2, the parameter is Average versus Symbols.

When <x> is 3, the parameter is Average versus Subcarrier.

<b>Conditions</b>	Measurement views: OFDM
<b>Group</b>	Fetch commands
<b>Syntax</b>	FETCH:OFDM:MERRor:TRACe(x)?
<b>Arguments</b>	None
<b>Returns</b>	#<num_digit><num_byte><data(1)><data(2)>...<data(n)> Where <num_digit> is the number of digits in <num_byte>. <num_byte> is the number of bytes of data that follow. <data(n)> is the data value at the n <sup>th</sup> data point in percent (%), 4-byte little endian floating-point format specified in IEEE 488.2.
<b>Examples</b>	FETCH:OFDM:MERRor:TRACe2 might return #3108xxxx. . . (108-byte data) for the average versus symbols trace measurement.

## FETCh:OFDM:PACKet:DIRection? (Query Only)

Returns the direction of the packet in the OFDM measurement.

**Conditions** Measurement views: OFDM

**Group** Fetch commands

**Syntax** FETCh:OFDM:PACKet:DIRection?

**Arguments** None

**Returns** One of the following values.

UP specifies that the packet is in the up direction.

DOWN specifies that the packet is in the down direction.

BOTH specifies that the packet is both directions.

**Examples** FETCh:OFDM:PACKet:DIRection? might return DOWN indicating that the packet was in the down direction.

## FETCh:OFDM:PERRor:TRACe(x)? (Query Only)

Returns the phase error trace data for the OFDM measurement.

When <x> is 1, the parameter is Matrix.

When <x> is 2, the parameter is Average versus Symbols.

When <x> is 3, the parameter is Average versus Subcarrier.

**Conditions** Measurement views: OFDM

**Group** Fetch commands

**Syntax** FETCh:OFDM:PERRor:TRACe(x)?

**Arguments** None

**Returns** #<num\_digit><num\_byte><data(1)><data(2)>...<data(n)>

Where

- <num\_digit> is the number of digits in <num\_byte>.
- <num\_byte> is the number of bytes of data that follow.
- <data(n)> is the data value at the n<sup>th</sup> data point in percent (%), 4-byte little endian floating-point format specified in IEEE 488.2.

**Examples** FETCh:OFDM:PERror:TRACe2 might return #3100xxxx. . . (100-byte data) for the average versus symbols trace measurement.

## FETCh:OFDM:POWer:TRACe(x)? (Query Only)

Returns the power trace data for the OFDM measurement.

When <x> is 1, the parameter is Matrix.

When <x> is 2, the parameter is Average versus Symbols.

When <x> is 3, the parameter is Average versus Subcarrier.

**Conditions** Measurement views: OFDM

**Group** Fetch commands

**Syntax** FETCh:OFDM:POWer:TRACe(x)?

**Arguments** None

**Returns** #<num\_digit><num\_byte><data(1)><data(2)>...<data(n)>

Where

- <num\_digit> is the number of digits in <num\_byte>.
- <num\_byte> is the number of bytes of data that follow.
- <data(n)> is the data value at the n<sup>th</sup> data point in percent (%), 4-byte little endian floating-point format specified in IEEE 488.2.

**Examples** FETCh:OFDM:POWer:TRACe2 might return #296xxxx. . . (96-byte data) for the average versus symbols trace measurement.

## FETCh:OFDM:QUADrature:OFFSet? (Query Only)

Returns the quadrature offset in the OFDM measurement.

**Conditions** Measurement views: OFDM

**Group** Fetch commands

**Syntax** FETCh:OFDM:QUADrature:OFFSet?

**Arguments** None

**Returns** <NRf> quadrature offset in degrees.

**Examples** FETCh:OFDM:QUADrature:OFFSet? might return  $-99.9$  indicating that the offset is  $-99^\circ$ .

## FETCh:OFDM:SCARriers? (Query Only)

Returns the number of subcarriers in the OFDM measurement.

**Conditions** Measurement views: OFDM

**Group** Fetch commands

**Syntax** FETCh:OFDM:SCARriers?

**Arguments** None

**Returns** <NR1> number of subcarriers.

**Examples** FETCh:OFDM:SCARRIERS? might return  $200.0000$  indicating that there are 200 subcarriers in the measurement.

## FETCh:OFDM:SCARriers:SPACing? (Query Only)

Returns the subcarrier spacing for the OFDM measurement.

**Conditions** Measurement views: OFDM

**Group** Fetch commands

**Syntax** FETCh:OFDM:SCARriers:SPACing?

**Arguments** None

**Returns** <NRf> subcarrier spacing.

**Examples** FETCh:OFDM:SCARRIERS:SPACING? might return 90.000E+3 indicating that the subcarrier spacing is 90.000 kHz.

## FETCh:OFDM:STABLE:VALUe? (Query Only)

Returns the number of bytes in the symbol table for the OFDM measurement.

**Conditions** Measurement views: OFDM

**Group** Fetch commands

**Syntax** FETCh:OFDM:STABLE:VALUe?

**Arguments** None

**Returns** #<num\_digit><num\_byte>

Where

<num\_digit> is the number of digits in <num\_byte>

<num\_byte> is the number of bytes of data.

**Examples**     `FETCH:OFDM:STABLE:VALUE?` might return `#43848` indicating that there are 3848 bytes in the symbol table.

## **FETCH:OFDM:SYMBOL:CERROR? (Query Only)**

Returns the symbol clock error for the OFDM measurement.

**Conditions**     Measurement views: OFDM

**Group**     Fetch commands

**Syntax**     `FETCH:OFDM:SYMBOL:CERROR?`

**Arguments**     None

**Returns**     `<NRf>` symbol clock error in ppm.

**Examples**     `FETCH:OFDM:SYMBOL:CERROR?` might return `422.7135479929` indicating that the symbol clock error was 422.714 ppm.

## **FETCH:OFDM:SYMBOL:COUNT? (Query Only)**

Returns the number of symbols for the OFDM measurement.

**Conditions**     Measurement views: OFDM

**Group**     Fetch commands

**Syntax**     `FETCH:OFDM:SYMBOL:COUNT?`

**Arguments**     None

**Returns**     `<NR1>` number of symbols in the measurement.

**Examples**     `FETCH:OFDM:SYMBOL:COUNT?` might return `25.00000` indicating that there were 25 symbols for the measurement.



## FETCh:PERRor:FERRor? (Query Only)

Returns the frequency error in the Phase error versus Time measurement.

**Conditions** Measurement views: Phase error versus Time

**Group** Fetch commands

**Syntax** FETCh:PERRor:FERRor?

**Arguments** None

**Returns** <freq\_error> :: <NRf> is the frequency error in Hz.

**Examples** FETCh:PERRor:FERRor? might return -10.7E+3, indicating the frequency error is -10.7 kHz.

## FETCh:PERRor:PEAK? (Query Only)

Returns the peak value in the Phase error versus Time measurement.

**Conditions** Measurement views: Phase error versus Time

**Group** Fetch commands

**Syntax** FETCh:PERRor:PEAK?

**Related Commands** [FETCh:PERRor:PINDEX?](#)

**Arguments** None

**Returns** <peak> :: <NRf> is the peak phase error in degrees.

**Examples** FETCh:PERRor:PEAK? might return 0.683, indicating the peak phase error is 0.683 °.

## FETCh:PERRor:PINdex? (Query Only)

Returns the time at the phase error peak.

**Conditions** Measurement views: Phase error versus Time

**Group** Fetch commands

**Syntax** FETCh:PERRor:PINdex?

**Related Commands** [FETCh:PERRor:PEAK?](#), [\[SENSe\]:DDEMod:TIME:UNITs](#)

**Arguments** None

**Returns** <peak\_time> :: <NRf> is the time at the phase error peak in symbol number. The unit can be changed by the [\[SENSe\]:DDEMod:TIME:UNITs](#) command.

**Examples** FETCh:PERRor:PINdex? might return 68.000, indicating that the phase error peak is at symbol #68.

## FETCh:PERRor:RMS? (Query Only)

Returns the RMS (Root-Mean-Square) value in the Phase error versus Time measurement.

**Conditions** Measurement views: Phase error versus Time

**Group** Fetch commands

**Syntax** FETCh:PERRor:RMS?

**Arguments** None

**Returns** <rms> :: <NRf> is the RMS phase error in degrees.

**Examples**    `FETCH:PERROR:RMS?` might return 0.746, indicating the phase error is 0.746 ° RMS.

## FETCh:PERRor:TRACe? (Query Only)

Returns the Phase error versus Time trace data.

**Conditions**    Measurement views: Phase error versus Time

**Group**    Fetch commands

**Syntax**    `FETCH:PERRor:TRACe?`

**Arguments**    None

**Returns**    `#<num_digit><num_byte><data(1)><data(2)>...<data(n)>`

Where

`<num_digit>` is the number of digits in `<num_byte>`.

`<num_byte>` is the number of bytes of data that follow.

`<data(n)>` is the phase error in degrees at the  $n^{\text{th}}$  data point, 4-byte little endian floating-point format specified in IEEE 488.2.

**Examples**    `FETCH:PERROR:TRACE?` might return `#42036xxxx...` (2036-byte data) for the Phase error versus Time trace.

## FETCh:PHVTime? (Query Only)

Returns the Phase versus Time trace data.

**Conditions**    Measurement views: Phase versus Time

**Group**    Fetch commands

**Syntax**    `FETCH:PHVTime?`

**Arguments**    None

**Returns** #<num\_digit><num\_byte><data(1)><data(2)>...<data(n)>

Where

<num\_digit> is the number of digits in <num\_byte>.

<num\_byte> is the number of bytes of data that follow.

<data(n)> is the phase in degrees at the n<sup>th</sup> data point, 4-byte little endian floating-point format specified in IEEE 488.2.

**Examples** FETCH:PHVTIME? might return #3160xxxx... (160-byte data) for the Phase versus Time trace.

## FETCH:PHVTime:MAXimum? (Query Only)

Returns the maximum value in the Phase versus Time measurement.

**Conditions** Measurement views: Phase versus Time

**Group** Fetch commands

**Syntax** FETCH:PHVTime:MAXimum?

**Related Commands** [FETCH:PHVTime:MAXLocation?](#)

**Arguments** None

**Returns** <max> :: <NRF> is the maximum phase in degrees.

**Examples** FETCH:PHVTIME:MAXIMUM? might return 153.8, indicating the maximum phase is 153.8 °.

## FETCH:PHVTime:MAXLocation? (Query Only)

Returns the time at which the phase is maximum.

**Conditions** Measurement views: Phase versus Time

**Group** Fetch commands

**Syntax**     `FETCh:PHVTime:MAXLocation?`

**Related Commands**     [FETCh:PHVTime:MAXimum?](#)

**Arguments**     None

**Returns**     `<max_time> :: <NRf>` is the time in seconds at which the phase is maximum.

**Examples**     `FETCh:PHVTime:MAXLOCATION?` might return `175.3E-9`, indicating the I or Q level is maximum at 175.3 ns.

## FETCh:PHVTime:MINimum? (Query Only)

Returns the minimum value in the Phase versus Time measurement.

**Conditions**     Measurement views: Phase versus Time

**Group**     Fetch commands

**Syntax**     `FETCh:PHVTime:MINimum?`

**Related Commands**     [FETCh:PHVTime:MINLocation?](#)

**Arguments**     None

**Returns**     `<min> :: <NRf>` is the minimum phase in degrees.

**Examples**     `FETCh:PHVTime:MINIMUM?` might return `-176.3`, indicating the minimum phase is `-176.3 °`.

## FETCh:PHVTime:MINLocation? (Query Only)

Returns the time at which the phase is minimum.

**Conditions**     Measurement views: Phase versus Time

<b>Group</b>	Fetch commands
<b>Syntax</b>	FETCh:PHVTime:MINLocation?
<b>Related Commands</b>	<a href="#">FETCh:PHVTime:MINimum?</a>
<b>Arguments</b>	None
<b>Returns</b>	<min_time> :: <NRf> is the time in seconds at which the phase is minimum.
<b>Examples</b>	FETCh:PHVTime:MINLOCATION? might return 450.7E-9, indicating the phase is minimum at 450.7 ns.

## FETCh:PHVTime:RESult? (Query Only)

Returns the Phase versus Time measurement results.

<b>Conditions</b>	Measurement views: Phase versus Time
<b>Group</b>	Fetch commands
<b>Syntax</b>	FETCh:PHVTime:RESult?
<b>Arguments</b>	None
<b>Returns</b>	<max>, <max_time>, <min>, <min_time> Where <max> :: <NRf> is the maximum phase in degrees. <max_time> :: <NRf> is the time in seconds at which the phase is maximum. <min> :: <NRf> is the minimum phase in degrees. <min_time> :: <NRf> is the time in seconds at which the phase is minimum.
<b>Examples</b>	FETCh:PHVTime:RESULT? might return 153.8, 175.3E-9, -176.3, 450.7E-9, indicating the maximum phase is 153.8 ° at 175.3 ns and the minimum phase is -176.3 ° at 450.7 ns.

## FETCh:PM:PNEGative? (Query Only)

Returns the negative peak phase deviation ( $-P_k$ ) in the PM measurement.

**Conditions** Measurement views: PM

**Group** Fetch commands

**Syntax** FETCh:PM:PNEGative?

**Arguments** None

**Returns**  $\langle -P_k \rangle :: \langle NRf \rangle$  is the negative peak phase deviation in degrees.

**Examples** FETCh:PM:PNEGATIVE? might return  $-23.42$ , indicating the positive peak phase deviation is  $-23.42^\circ$ .

## FETCh:PM:PPOSitive? (Query Only)

Returns the positive peak phase deviation ( $+P_k$ ) in the PM measurement.

**Conditions** Measurement views: PM

**Group** Fetch commands

**Syntax** FETCh:PM:PPOSitive?

**Arguments** None

**Returns**  $\langle +P_k \rangle :: \langle NRf \rangle$  is the positive peak phase deviation in degrees.

**Examples** FETCh:PM:PPOSITIVE? might return  $26.87$ , indicating the positive peak phase deviation is  $26.87^\circ$ .

## FETCh:PM:PTPeak? (Query Only)

Returns the peak-peak phase deviation (Pk-Pk) in the PM measurement.

<b>Conditions</b>	Measurement views: PM
<b>Group</b>	Fetch commands
<b>Syntax</b>	FETCh:PM:PTPeak?
<b>Arguments</b>	None
<b>Returns</b>	<Pk-Pk> :: <NRf> is the peak-peak phase deviation in degrees.
<b>Examples</b>	FETCh:PM:PTPEAK? might return 46.34, indicating the peak-peak phase deviation is 46.34 °.

## FETCh:PM:RESult? (Query Only)

Returns the PM measurement results.

<b>Conditions</b>	Measurement views: PM
<b>Group</b>	Fetch commands
<b>Syntax</b>	FETCh:PM:RESult?
<b>Arguments</b>	None
<b>Returns</b>	<+Pk> , <-Pk> , <RMS> , <Pk-Pk> Where <+Pk> :: <NRf> is the positive peak phase deviation in degrees. <-Pk> :: <NRf> is the negative peak phase deviation in degrees. <RMS> :: <NRf> is the RMS phase deviation in degrees. <Pk-Pk> :: <NRf> is the peak-peak phase deviation in degrees.



**Examples**    `FETCH:PM:RESULT?` might return `22.89,-23.45,15.12,46.34`.

## FETCh:PM:RMS? (Query Only)

Returns the RMS phase deviation in the PM measurement.

**Conditions**    Measurement views: PM

**Group**    Fetch commands

**Syntax**    `FETCH:PM:RMS?`

**Arguments**    None

**Returns**    `<RMS> :: <NRf>` is the RMS phase deviation in degrees.

**Examples**    `FETCH:PM:RMS?` might return `15.12`, indicating the RMS frequency deviation is `15.12 °`.

## FETCh:PNOise:ALL? (Query Only)

Returns all results of the phase noise measurement.

**Conditions**    Measurement views: Phase noise

**Group**    Fetch commands

**Syntax**    `FETCH:PNOise:ALL?`

**Arguments**    None

**Returns**    `<Cpower>,<Ferror>,<Pnoise>,<Tjitter>,<Rjitter>,<RFM>`

Where

`<Cpower> :: <NRf>` is the carrier power in dBm.

`<Ferror> :: <NRf>` is the frequency error in Hz.

`<Pnoise> :: <NRf>` is the RMS phase noise in degrees.

<Tjitter> :: <NRf> is the total jitter in seconds.  
 <Rjitter> :: <NRf> is the random jitter in seconds.  
 <RFM> :: <NRf> is the residual FM in Hz.

**Examples**      FETCH:PNOISE:ALL? might return  
 -9.455,1.235E+6,51.43,2.312E-9,4.178E-9,14.58, indicating  
 Carrier power: -9.455 dBm,  
 Frequency error: 1.235 MHz,  
 RMS phase noise: 51.43 °,  
 Total jitter: 2.312 ns,  
 Random jitter: 4.178 ns, and  
 Residual FM: 14.58 Hz.

## FETCH:PNOise:CARRier:FERRor? (Query Only)

Returns the carrier frequency error in the phase noise measurement.

**Conditions**      Measurement views: Phase noise

**Group**            Fetch commands

**Syntax**            FETCH:PNOise:CARRier:FERRor?

**Arguments**        None

**Returns**            <NRf> Carrier frequency error in Hz.

**Examples**        FETCH:PNOISE:CARRIER:FERROR? might return 1.235E+6, indicating that the  
 carrier frequency error is 1.235 MHz.

## FETCH:PNOise:CARRier:POWer? (Query Only)

Returns the carrier power in the phase noise measurement.

**Conditions**        Measurement views: Phase noise

**Group**            Fetch commands

---

<b>Syntax</b>	<code>FETCH:PNOise:CARRIER:POWER?</code>
<b>Arguments</b>	None
<b>Returns</b>	<NRf> Carrier power in dBm. The unit can be changed by the <a href="#">[SENSe]:POWer:UNITs</a> command.
<b>Examples</b>	<code>FETCH:PNOISE:CARRIER:POWER?</code> might return <code>-9.455</code> , indicating that the carrier power is <code>-9.455</code> dBm.

### **FETCH:PNOise:JITTer? (Query Only)**

Returns the jitter in the phase noise measurement.

<b>Conditions</b>	Measurement views: Phase noise
<b>Group</b>	Fetch commands
<b>Syntax</b>	<code>FETCH:PNOise:JITTer?</code>
<b>Arguments</b>	None
<b>Returns</b>	<NRf> Jitter in seconds.
<b>Examples</b>	<code>FETCH:PNOISE:JITTER?</code> might return <code>2.312E-9</code> , indicating that the jitter is <code>2.312</code> ns.

### **FETCH:PNOise:RESidual:FM? (Query Only)**

Returns the residual FM in the phase noise measurement.

<b>Conditions</b>	Measurement views: Phase noise
<b>Group</b>	Fetch commands
<b>Syntax</b>	<code>FETCH:PNOise:RESidual:FM?</code>

<b>Arguments</b>	None
<b>Returns</b>	<NRf> Residual FM in Hz.
<b>Examples</b>	FETCH:PNOISE:RESIDUAL:FM? might return 14.58, indicating that the residual FM is 14.58 Hz.

### FETCH:PNOise:RMS:PNOise? (Query Only)

Returns the RMS phase noise in the phase noise measurement.

<b>Conditions</b>	Measurement views: Phase noise
<b>Group</b>	Fetch commands
<b>Syntax</b>	FETCH:PNOise:RMS:PNOise?
<b>Arguments</b>	None
<b>Returns</b>	<NRf> RMS phase noise in degrees.
<b>Examples</b>	FETCH:PNOISE:RMS:PNOISE? might return 51.43, indicating that the RMS phase noise is 51.43 °.

### FETCH:PNOise:SPECTrum<x>:X? (Query Only)

Returns the frequencies of the specified trace.

The parameter <x> = 1 and 2, representing Trace 1 and Trace 2, respectively.

<b>Conditions</b>	Measurement views: Phase noise
<b>Group</b>	Fetch commands
<b>Syntax</b>	FETCH:PNOise:SPECTrum<x>:X?

<b>Arguments</b>	None
<b>Returns</b>	#<num_digit><num_byte><x(1)><x(2)>...<x(n)> Where <num_digit> is the number of digits in <num_byte>. <num_byte> is the number of bytes of data that follow. <x(n)> is the frequency (Hz) at the n <sup>th</sup> data point, 4-byte little endian floating-point format specified in IEEE 488.2.
<b>Examples</b>	FETCH:PNOISE:SPECTRUM1:X? might return #516020xxxx... (16020-byte data) for the frequencies of Trace 1.

## FETCh:PNOise:SPECTrum<x>:XY? (Query Only)

Returns the frequency and phase noise pairs of the specified trace.

The parameter <x> = 1 and 2, representing Trace 1 and Trace 2, respectively.

<b>Conditions</b>	Measurement views: Phase noise
<b>Group</b>	Fetch commands
<b>Syntax</b>	FETCH:PNOise:SPECTrum<x>:XY?
<b>Arguments</b>	None
<b>Returns</b>	#<num_digit><num_byte><x(1)><y(1)><x(2)><y(2)>...<x(n)><y(n)> Where <num_digit> is the number of digits in <num_byte>. <num_byte> is the number of bytes of data that follow. <x(n)><y(n)> is the frequency (Hz) and phase noise (dBc/Hz) pair at the n <sup>th</sup> data point, 4-byte little endian floating-point format specified in IEEE 488.2.
<b>Examples</b>	FETCH:PNOISE:SPECTRUM1:XY? might return #516020xxxx... (16020-byte data) for the frequency and phase noise pairs of the Trace 1.

## FETCh:PNOise:SPECTrum<x>[:Y]? (Query Only)

Returns the phase noise values of the specified trace.

The parameter <x> = 1 and 2, representing Trace 1 and Trace 2, respectively.

<b>Conditions</b>	Measurement views: Phase noise
<b>Group</b>	Fetch commands
<b>Syntax</b>	FETCh:PNOise:SPECTrum<x>[:Y]?
<b>Arguments</b>	None
<b>Returns</b>	#<num_digit><num_byte><y(1)><y(2)>...<y(n)> Where <num_digit> is the number of digits in <num_byte>. <num_byte> is the number of bytes of data that follow. <y(n)> is the phase noise (dBc/Hz) at the n <sup>th</sup> data point, 4-byte little endian floating-point format specified in IEEE 488.2.
<b>Examples</b>	FETCh:PNOISE:SPECTRUM1:Y might return #516020xxxx... (16020-byte data) for the phase noise values of Trace 1.

## FETCh:PULSe[:RESult]:ATX? (Query Only)

Returns the average transmitted power in the pulse table.

<b>Conditions</b>	Measurement views: Pulse table
<b>Group</b>	Fetch commands
<b>Syntax</b>	FETCh:PULSe[:RESult]:ATX?
<b>Arguments</b>	None
<b>Returns</b>	<first_pulse_num>, <ATX(1)>, <ATX(2)>, ... <ATX(n)>

Where

<first\_pulse\_num> :: <NR1> is the first pulse number.

<ATX(n)> :: <NRf> is the average transmitted power for the pulse with the number of [first\_pulse\_num + n - 1] in dBm.

The unit can be changed to watts by the [\[SENSe\]:POWer:UNITs](#) command.

Volt is invalid in the average transmitted power measurement.

**Examples**    `FETCH:PULSE:RESULT:ATX?` might return 0, -18.57, -18.73, -18.20, -18.53 for Pulse 0 to 3.

## FETCH:PULSe[:RESUlt]:AVERAge? (Query Only)

Returns the average on power in the pulse table.

**Conditions**    Measurement views: Pulse table

**Group**        Fetch commands

**Syntax**       `FETCH:PULSe[:RESUlt]:AVERAge?`

**Arguments**    None

**Returns**       <first\_pulse\_num>,< avg(1)>,< avg(2)>,...<avg(n)>

Where

<first\_pulse\_num> :: <NR1> is the first pulse number.

<avg(n)> :: <NRf> is the average on power for the pulse with the number of [first\_pulse\_num + n - 1] in dBm.

The unit can be changed by the [\[SENSe\]:POWer:UNITs](#) command.

**Examples**    `FETCH:PULSE:RESULT:AVERAGE?` might return 0, -2.354, -2.368, -2.343, -2.358 for Pulse 0 to 3.

## FETCH:PULSe[:RESUlt]:DRODb? (Query Only)

Returns the droop in dB in the pulse table.

**Conditions**    Measurement views: Pulse table

<b>Group</b>	Fetch commands
<b>Syntax</b>	FETCh:PULSe[:RESuLt]:DRODb?
<b>Related Commands</b>	<a href="#">FETCh:PULSe[:RESuLt]:DROOp?</a>
<b>Arguments</b>	None
<b>Returns</b>	<p>&lt;first_pulse_num&gt;, &lt;droop(1)&gt;, &lt;droop(2)&gt;, ... &lt;droop(n)&gt;</p> <p>Where</p> <p>&lt;first_pulse_num&gt; :: &lt;NR1&gt; is the first pulse number.</p> <p>&lt;droop(n)&gt; :: &lt;NRf&gt; is the wattage droop for the pulse with the number of [first_pulse_num + n - 1] in dB.</p>
<b>Examples</b>	FETCh:PULSe:RESuLt:DRODb? might return 1, -0.4, 0.32, 0.2, -0.1 for Pulse 1 to 4.

## FETCh:PULSe[:RESuLt]:DROOp? (Query Only)

Returns the droop in the pulse table.

<b>Conditions</b>	Measurement views: Pulse table
<b>Group</b>	Fetch commands
<b>Syntax</b>	FETCh:PULSe[:RESuLt]:DROOp?
<b>Related Commands</b>	<a href="#">FETCh:PULSe[:RESuLt]:DRODb?</a>
<b>Arguments</b>	None
<b>Returns</b>	<p>&lt;first_pulse_num&gt;, &lt;droop(1)&gt;, &lt;droop(2)&gt;, ... &lt;droop(n)&gt;</p> <p>Where</p> <p>&lt;first_pulse_num&gt; :: &lt;NR1&gt; is the first pulse number.</p> <p>&lt;droop(n)&gt; :: &lt;NRf&gt; is the wattage droop for the pulse with the number of [first_pulse_num + n - 1] in percent (%).</p>



**Examples**    `FETCH:PULSE:RESULT:DROOP?` might return `0,-270.9E-3,-193.0E-3,-242.7E-3,-177.5E-3` for Pulse 0 to 3.

## `FETCH:PULSE[:RESULT]:DUTPct?` (Query Only)

Returns the duty factor (%) in the pulse table.

**Conditions**    Measurement views: Pulse table

**Group**        Fetch commands

**Syntax**       `FETCH:PULSE[:RESULT]:DUTPct?`

**Arguments**    None

**Returns**       `<first_pulse_num>,<duty_pct(1)>,<duty_pct(2)>,...<duty_pct(n)>`

Where

`<first_pulse_num>` :: `<NR1>` is the first pulse number.

`<duty_pct(n)>` :: `<NRf>` is the duty factor for the pulse with the number of `[first_pulse_num + n - 1]` in percent (%).

**Examples**    `FETCH:PULSE:RESULT:DUTPCT?` might return `0,28.94,28.96,29.00,29.01` for Pulse 0 to 3.

## `FETCH:PULSE[:RESULT]:DUTRatio?` (Query Only)

Returns the duty factor (ratio) in the pulse table.

**Conditions**    Measurement views: Pulse table

**Group**        Fetch commands

**Syntax**       `FETCH:PULSE[:RESULT]:DUTRatio?`

**Arguments**    None

**Returns** <first\_pulse\_num>, <duty\_ratio(1)>, <duty\_ratio(2)>, ...  
<duty\_ratio(n)>

Where

<first\_pulse\_num> :: <NR1> is the first pulse number.

<duty\_ratio(n)> :: <NRf> is the duty factor for the pulse with the number of [first\_pulse\_num + n - 1] (no unit).

**Examples** FETCH:PULSE:RESULT:DUTRATIO? might return 0, 289.4E-3, 289.6E-3, 290.0E-3, 290.1E-3 for Pulse 0 to 3.

## FETCH:PULSe[:RESult]:FALL? (Query Only)

Returns the fall time in the pulse table.

**Conditions** Measurement views: Pulse table

**Group** Fetch commands

**Syntax** FETCH:PULSe[:RESult]:FALL?

**Arguments** None

**Returns** <first\_pulse\_num>, <fall(1)>, <fall(2)>, ... <fall(n)>

Where

<first\_pulse\_num> :: <NR1> is the first pulse number.

<fall(n)> :: <NRf> is the fall time for the pulse with the number of [first\_pulse\_num + n - 1] in seconds.

**Examples** FETCH:PULSE:RESULT:FALL? might return 0, 110.3E-9, 90.45E-9, 95.03E-9, 111.9E-9 for Pulse 0 to 3.

## FETCH:PULSe[:RESult]:FRDeviation? (Query Only)

Returns the frequency deviation in the pulse table.

**Conditions** Measurement views: Pulse table

<b>Group</b>	Fetch commands
<b>Syntax</b>	FETCh:PULSe[:RESUlt]:FRDeviation?
<b>Arguments</b>	None
<b>Returns</b>	<first_pulse_num>, <freq_dev(1)>, <freq_dev(2)>, ... <freq_dev(n)>
	Where <first_pulse_num> :: <NR1> is the first pulse number. <freq_dev(n)> :: <NRf> is the frequency deviation for the pulse with the number of [first_pulse_num + n - 1] in Hz.
<b>Examples</b>	FETCh:PULSe:RESUlt:FRDEVIATION? might return 1,740.6E+3, 736.5E+3, 718.3E+3, 672.2E+3 for Pulse 1 to 4.

## FETCh:PULSe[:RESUlt]:IRAMplitude? (Query Only)

Returns the pulse impulse response amplitude measurement in the pulse table.

<b>Conditions</b>	Measurement views: Pulse table
<b>Group</b>	Fetch commands
<b>Syntax</b>	FETCh:PULSe[:RESUlt]:IRAMplitude?
<b>Arguments</b>	None
<b>Returns</b>	<first_pulse_num>, <amplitude(1)>, <amplitude(2)>, ... <amplitude(n)>
	Where <first_pulse_num> :: <NR1> is the first pulse number. <amplitude(n)> :: <NRf> is the sidelobe level, in dB, from the mainlobe for the pulse with the number of [first_pulse_num + n - 1].
<b>Examples</b>	FETCh:PULSe[:RESUlt]:IRAMPLITUDE? might return 1.0000000000, -45.3, -47.5, -50.2 for Pulse 1 through 3.

## FETCh:PULSe[:RESult]:IRTime? (Query Only)

Returns the impulse response time in the pulse table.

**Conditions** Measurement views: Pulse table

**Group** Fetch commands

**Syntax** FETCh:PULSe[:RESult]:IRTime?

**Returns** <first\_pulse\_num>, <time(1)>, <time(2)>, ..., <time(n)>

Where

<first\_pulse\_num> :: <NR1> is the first pulse number.

<time(n)> :: <NRf> is the sidelobe offset time from the mainlobe for the pulse with the number of [first\_pulse\_num + n - 1] in seconds.

**Examples** FETCh:PULSe[:RESult]:IRTIME? might return  
1.0000000000, 806.6708687693E-9, -846.6595318168E-9, -873.3477443457E-9  
for Pulse 1 through 3.

## FETCh:PULSe[:RESult]:MFReqerror? (Query Only)

Returns the maximum frequency error in the pulse table.

**Conditions** Measurement views: Pulse table

**Group** Fetch commands

**Syntax** FETCh:PULSe[:RESult]:MFReqerror?

**Arguments** None

**Returns** <first\_pulse\_num>, <max\_freq\_err(1)>, <max\_freq\_err(2)>, ..., <max\_freq\_err(n)>

Where

<first\_pulse\_num> :: <NR1> is the first pulse number.

`<max_freq_err(n)>` :: `<NRf>` is the maximum frequency error for the pulse with the number of `[first_pulse_num + n - 1]` in Hz.

**Examples** `FETCH:PULSE:RESULT:MFREQERROR?` might return 1, 597.5E+3, 675.8E+3, 642.8E+3, 598.2E+3 for Pulse 1 to 4.

## FETCH:PULSe[:RESuLt]:MPHerror? (Query Only)

Returns the maximum phase error in the pulse table.

**Conditions** Measurement views: Pulse table

**Group** Fetch commands

**Syntax** `FETCH:PULSe[:RESuLt]:MPHerror?`

**Arguments** None

**Returns** `<first_pulse_num>`, `<max_phase_err(1)>`, `<max_phase_err(2)>`, ...  
`<max_phase_err(n)>`

Where

`<first_pulse_num>` :: `<NR1>` is the first pulse number.

`<max_phase_err(n)>` :: `<NRf>` is the maximum phase error for the pulse with the number of `[first_pulse_num + n - 1]` in degrees.

**Examples** `FETCH:PULSE:RESULT:MPHERROR?` might return 1, -9.221, -8.413, -11.853, -10.258 for Pulse 1 to 4.

## FETCH:PULSe[:RESuLt]:OVEDb? (Query Only)

Returns the overshoot in dB in the pulse table.

**Conditions** Measurement views: Pulse table

**Group** Fetch commands

**Syntax** `FETCH:PULSe[:RESuLt]:OVEDb?`

<b>Related Commands</b>	<a href="#">FETCh:PULSe[:RESult]:OVERshoot?</a>
<b>Arguments</b>	None
<b>Returns</b>	<first_pulse_num>, <overshoot(1)>, <overshoot(2)>, ... <overshoot(n)> Where <first_pulse_num> :: <NR1> is the first pulse number. <overshoot(n)> :: <NRf> is the overshoot for the pulse with the number of [first_pulse_num + n - 1] in dB.
<b>Examples</b>	FETCH:PULSE:RESULT:OVERDB? might return 1,1.2,2.3,1.0,0.2 for Pulse 1 to 4.

## FETCh:PULSe[:RESult]:OVERshoot? (Query Only)

Returns the overshoot in the pulse table.

<b>Conditions</b>	Measurement views: Pulse table
<b>Group</b>	Fetch commands
<b>Syntax</b>	FETCH:PULSe[:RESult]:OVERshoot?
<b>Related Commands</b>	<a href="#">FETCh:PULSe[:RESult]:OVEDb?</a>
<b>Arguments</b>	None
<b>Returns</b>	<first_pulse_num>, <overshoot(1)>, <overshoot(2)>, ... <overshoot(n)> Where <first_pulse_num> :: <NR1> is the first pulse number. <overshoot(n)> :: <NRf> is the overshoot for the pulse with the number of [first_pulse_num + n - 1] in percent (%) of watts or volts.
<b>Examples</b>	FETCH:PULSE:RESULT:OVERSHOOT? might return 1,1.2,2.3,1.0,0.2 for Pulse 1 to 4.

## FETCh:PULSe[:RESult]:PHDeviation? (Query Only)

Returns the phase deviation in the pulse table.

**Conditions** Measurement views: Pulse table

**Group** Fetch commands

**Syntax** FETCh:PULSe[:RESult]:PHDeviation?

**Arguments** None

**Returns** <first\_pulse\_num>,<phase\_dev(1)>,<phase\_dev(2)>,...  
<phase\_dev(n)>

Where

<first\_pulse\_num> :: <NR1> is the first pulse number.

<phase\_dev(n)> :: <NRf> is the phase deviation for the pulse with the number of [first\_pulse\_num + n - 1] in degrees.

**Examples** FETCh:PULSe:RESult:PHDEVIATION? might return  
1,11.658,9.640,10.509,8.272 for Pulse 1 to 4.

## FETCh:PULSe[:RESult]:PPFRequency? (Query Only)

Returns the pulse-pulse carrier frequency in the pulse table.

**Conditions** Measurement views: Pulse table

**Group** Fetch commands

**Syntax** FETCh:PULSe[:RESult]:PPFRequency?

**Arguments** None

**Returns** <first\_pulse\_num>,<pp\_freq(1)>,<pp\_freq(2)>,...<pp\_freq(n)>

Where

<first\_pulse\_num> :: <NR1> is the first pulse number.

`<pp_freq(n)>` :: `<NRf>` is the pulse-pulse carrier frequency for the pulse with the number of `[first_pulse_num + n - 1]` in Hz.

**Examples**     `FETCH:PULSE:RESULT:PPFREQUENCY?` might return  
 0,0.000,1.258E+3,-3.121E+3,1.862E+3 for Pulse 0 to 3.

## FETCH:PULSe[:RESuLt]:PPOWer? (Query Only)

Returns the peak power in the pulse table.

**Conditions**     Measurement views: Pulse table

**Group**            Fetch commands

**Syntax**          `FETCH:PULSe[:RESuLt]:PPOWer?`

**Arguments**      None

**Returns**          `<first_pulse_num>`, `<pk_power(1)>`, `<pk_power(2)>`, ...  
`<pk_power(n)>`

Where

`<first_pulse_num>` :: `<NR1>` is the first pulse number.

`<pk_power(n)>` :: `<NRf>` is the peak power for the pulse with the number of `[first_pulse_num + n - 1]` in dBm.

The unit can be changed by the `[SENSE]:POWER:UNITs` command.

**Examples**     `FETCH:PULSE:RESULT:PPOWER?` might return  
 0,-2.26,-2.27,-2.23,-2.25 for Pulse 0 to 3.

## FETCH:PULSe[:RESuLt]:PPPHase? (Query Only)

Returns the pulse-pulse carrier phase in the pulse table.

**Conditions**      Measurement views: Pulse table

**Group**            Fetch commands



<b>Syntax</b>	<code>FETCh:PULSe[:RESUlt]:PPHase?</code>
<b>Arguments</b>	None
<b>Returns</b>	<code>&lt;first_pulse_num&gt;, &lt;pp_phase(1)&gt;, &lt;pp_phase(2)&gt;, ... &lt;pp_phase(n)&gt;</code>  Where <code>&lt;first_pulse_num&gt; :: &lt;NR1&gt;</code> is the first pulse number. <code>&lt;pp_phase(n)&gt; :: &lt;NRf&gt;</code> is the pulse-pulse carrier phase for the pulse with the number of <code>[first_pulse_num + n - 1]</code> in degrees.
<b>Examples</b>	<code>FETCh:PULSe:RESUlt:PPHase?</code> might return 0,0.000,21.66,46.76,57.56 for Pulse 0 to 3.

## FETCh:PULSe[:RESUlt]:RINTerval? (Query Only)

Returns the repetition interval in the pulse table.

<b>Conditions</b>	Measurement views: Pulse table
<b>Group</b>	Fetch commands
<b>Syntax</b>	<code>FETCh:PULSe[:RESUlt]:RINTerval?</code>
<b>Arguments</b>	None
<b>Returns</b>	<code>&lt;first_pulse_num&gt;, &lt;rep_int(1)&gt;, &lt;rep_int(2)&gt;, ... &lt;rep_int(n)&gt;</code>  Where <code>&lt;first_pulse_num&gt; :: &lt;NR1&gt;</code> is the first pulse number. <code>&lt;rep_int(n)&gt; :: &lt;NRf&gt;</code> is the repetition interval for the pulse with the number of <code>[first_pulse_num + n - 1]</code> in seconds.
<b>Examples</b>	<code>FETCh:PULSe:RESUlt:RINTerval?</code> might return 0,16.03E-6,16.08E-6,16.07E-6,16.02E-6 for Pulse 0 to 3.

## FETCh:PULSe[:RESult]:RIPDb? (Query Only)

Returns the ripple in dB in the pulse table.

<b>Conditions</b>	Measurement views: Pulse table
<b>Group</b>	Fetch commands
<b>Syntax</b>	FETCh:PULSe[:RESu1t]:RIPDb?
<b>Related Commands</b>	<a href="#">FETCh:PULSe[:RESult]:RIPPlE?</a>
<b>Arguments</b>	None
<b>Returns</b>	<code>&lt;first_pulse_num&gt;, &lt;ripple(1)&gt;, &lt;ripple(2)&gt;, ... &lt;ripple(n)&gt;</code> Where <code>&lt;first_pulse_num&gt;</code> :: <code>&lt;NR1&gt;</code> is the first pulse number. <code>&lt;ripple(n)&gt;</code> :: <code>&lt;NRf&gt;</code> is the ripple for the pulse with the number of [ <code>first_pulse_num + n - 1</code> ] in dB.
<b>Examples</b>	FETCh:PULSe:RESult:RIPDB? might return 1,0.4,0.32,0.2,0.1 for Pulse 1 to 4.

## FETCh:PULSe[:RESult]:RIPPlE? (Query Only)

Returns the ripple in the pulse table.

<b>Conditions</b>	Measurement views: Pulse table
<b>Group</b>	Fetch commands
<b>Syntax</b>	FETCh:PULSe[:RESu1t]:RIPPlE?
<b>Related Commands</b>	<a href="#">FETCh:PULSe[:RESult]:RIPDb?</a>
<b>Arguments</b>	None

**Returns** <first\_pulse\_num>,<ripple(1)>,<ripple(2)>,...<ripple(n)>

Where

<first\_pulse\_num> :: <NR1> is the first pulse number.

<ripple(n)> :: <NRf> is the volts or watts ripple for the pulse with the number of [first\_pulse\_num + n - 1] in percent (%).

**Examples** FETCH:PULSE:RESULT:RIPPLE? might return 0,106.5E-3,177.6E-3,148.3E-3,148.5E-3 for Pulse 0 to 3.

## FETCH:PULSe[:RESult]:RISE? (Query Only)

Returns the rise time in the pulse table.

**Conditions** Measurement views: Pulse table

**Group** Fetch commands

**Syntax** FETCH:PULSe[:RESult]:RISE?

**Arguments** None

**Returns** <first\_pulse\_num>,<rise(1)>,<rise(2)>,...<rise(n)>

Where

<first\_pulse\_num> :: <NR1> is the first pulse number.

<rise(n)> :: <NRf> is the rise time for the pulse with the number of [first\_pulse\_num + n - 1] in seconds.

**Examples** FETCH:PULSE:RESULT:RISE? might return 0,92.94E-9,115.9E-9,115.1E-9,97.45E-9 for Pulse 0 to 3.

## FETCH:PULSe[:RESult]:RMSFreqerror? (Query Only)

Returns the RMS frequency error in the pulse table.

**Conditions** Measurement views: Pulse table

**Group** Fetch commands

**Syntax**    `FETCh:PULSe[:RESuLt]:RMSFreqerror?`

**Arguments**    None

**Returns**    `<first_pulse_num>, <RMS_freq_err(1)>, <RMS_freq_err(2)>, ...`  
`<RMS_freq_err(n)>`

Where

`<first_pulse_num>` :: `<NR1>` is the first pulse number.

`<RMS_freq_err(n)>` :: `<NRf>` is the RMS frequency error for the pulse with the number of `[first_pulse_num + n - 1]` in Hz.

**Examples**    `FETCh:PULSe:RESULT:RMSFREQERROR?` might return `1, 51.54E+3, 69.20E+3, 64.21E+3, 51.02E+3` for Pulse 1 to 4.

## **FETCh:PULSe[:RESuLt]:RMSPherror? (Query Only)**

Returns the RMS phase error in the pulse table.

**Conditions**    Measurement views: Pulse table

**Group**    Fetch commands

**Syntax**    `FETCh:PULSe[:RESuLt]:RMSPherror?`

**Arguments**    None

**Returns**    `<first_pulse_num>, <RMS_phase_err(1)>, <RMS_phase_err(2)>, ...`  
`<RMS_phase_err(n)>`

Where

`<first_pulse_num>` :: `<NR1>` is the first pulse number.

`<RMS_phase_err(n)>` :: `<NRf>` is the RMS phase error for the pulse with the number of `[first_pulse_num + n - 1]` in degrees.

**Examples**    `FETCh:PULSe:RESULT:RMSPHERROR?` might return `1, 908.4E-3, 752.8E-3, 981.7E-3, 886.4E-3` for Pulse 1 to 4.

## FETCh:PULSe[:RESUlt]:RRATE? (Query Only)

Returns the repetition rate in the pulse table.

**Conditions** Measurement views: Pulse table

**Group** Fetch commands

**Syntax** FETCh:PULSe[:RESUlt]:RRATE?

**Arguments** None

**Returns** <first\_pulse\_num>,<rep\_rate(1)>,<rep\_rate(2)>,...  
<rep\_rate(n)>

Where

<first\_pulse\_num> :: <NR1> is the first pulse number.

<rep\_rate(n)> :: <NRf> is the repetition rate for the pulse with the number of [first\_pulse\_num + n - 1] in Hz.

**Examples** FETCh:PULSe:RESUlt:RRATE? might return 0,62.50E+3,62.52E+3,  
62.51E+3,62.49E+3 for Pulse 0 to 3.

## FETCh:PULSe[:RESUlt]:TIME? (Query Only)

Returns the time in the pulse table.

**Conditions** Measurement views: Pulse table

**Group** Fetch commands

**Syntax** FETCh:PULSe[:RESUlt]:TIME?

**Arguments** None

**Returns** <first\_pulse\_num>,<time(1)>,<time(2)>,...<time(n)>

Where

<first\_pulse\_num> :: <NR1> is the first pulse number.

`<time(n)>` :: `<NRf>` is the time for the pulse with the number of `[first_pulse_num + n - 1]` in seconds.

**Examples** `FETCH:PULSE:RESULT:TIME?` might return `1,7.937E-3,8.436E-3,6.504E-3,9.876E-3` for Pulse 1 to 4.

## FETCH:PULSe[:RESUlt]:WIDTh? (Query Only)

Returns the pulse width in the pulse table.

**Conditions** Measurement views: Pulse table

**Group** Fetch commands

**Syntax** `FETCH:PULSe[:RESUlt]:WIDTh?`

**Arguments** None

**Returns** `<first_pulse_num>, <width(1)>, <width(2)>, ... <width(n)>`

Where

`<first_pulse_num>` :: `<NR1>` is the first pulse number.

`<width(n)>` :: `<NRf>` is the pulse width for the pulse with the number of `[first_pulse_num + n - 1]` in seconds.

**Examples** `FETCH:PULSE:RESULT:WIDTH?` might return `0,4.630E-6,4.632E-6,4.639E-6,4.642E-6` for Pulse 0 to 3.

## FETCH:PULSe:STATistics:ATX? (Query Only)

Returns the average transmitted power in the pulse statistics. This command is valid when [DISPlay:PULSe:STATistics:PLOT](#) is set to TREND.

**Conditions** Measurement views: Pulse statistics

**Group** Fetch commands

**Syntax** `FETCH:PULSe:STATistics:ATX?`

<b>Arguments</b>	None
<b>Returns</b>	<ATX_avg>, <ATX_min>, <ATX_max>
	Where
	<ATX_avg> :: <NRf> is the average of the average transmitted power.
	<ATX_min> :: <NRf> is the minimum of the average transmitted power.
	<ATX_max> :: <NRf> is the maximum of the average transmitted power.
	Unit: dBm.
	The unit can be changed to watts by the <a href="#">[SENSe]:POWer:UNITs</a> command.
	Volt is invalid in the average transmitted power measurement.
<b>Examples</b>	FETCH:PULSE:STATISTICS:ATX? might return -18.51, -18.74, -18.12 for the average transmitted power in the pulse statistics.

## FETCh:PULSe:STATistics:AVERAge? (Query Only)

Returns the average on power in the pulse statistics. This command is valid when [DISPlay:PULSe:STATistics:PLOT](#) is set to TREND.

<b>Conditions</b>	Measurement views: Pulse statistics
<b>Group</b>	Fetch commands
<b>Syntax</b>	FETCh:PULSe:STATistics:AVERAge?
<b>Arguments</b>	None
<b>Returns</b>	<avg_avg>, <avg_min>, <avg_max>
	Where
	<avg_avg> :: <NRf> is the average of the average on power.
	<avg_min> :: <NRf> is the minimum of the average on power.
	<avg_max> :: <NRf> is the maximum of the average on power.
	Unit: dBm.
	The unit can be changed to watts by the <a href="#">[SENSe]:POWer:UNITs</a> command.
<b>Examples</b>	FETCH:PULSE:STATISTICS:AVERAGE? might return -2.35, -2.36, -2.34 for the average on power in the pulse statistics.

## FETCh:PULSe:STATistics:DRoDb? (Query Only)

Returns the droop in dB in the pulse statistics. This command is valid when [DISPlay:PULSe:STATistics:PLOT](#) is set to TREND.

<b>Conditions</b>	Measurement views: Pulse statistics
<b>Group</b>	Fetch commands
<b>Syntax</b>	FETCh:PULSe:STATistics:DRoDb?
<b>Related Commands</b>	<a href="#">FETCh:PULSe:STATistics:DRoOp?</a>
<b>Arguments</b>	None
<b>Returns</b>	<code>&lt;droop_avg&gt;</code> , <code>&lt;droop_min&gt;</code> , <code>&lt;droop_max&gt;</code> Where <code>&lt;droop_avg&gt;</code> :: <code>&lt;NRf&gt;</code> is the average droop. <code>&lt;droop_min&gt;</code> :: <code>&lt;NRf&gt;</code> is the minimum droop. <code>&lt;droop_max&gt;</code> :: <code>&lt;NRf&gt;</code> is the maximum droop. Unit: in dB.
<b>Examples</b>	FETCh:PULSe:STATISTICS:DRoDb? might return 22.67E-3, -613.5E-3, 633.8E-3 for the droop in the pulse statistics.

## FETCh:PULSe:STATistics:DRoOp? (Query Only)

Returns the droop in the pulse statistics. This command is valid when [DISPlay:PULSe:STATistics:PLOT](#) is set to TREND.

<b>Conditions</b>	Measurement views: Pulse statistics
<b>Group</b>	Fetch commands
<b>Syntax</b>	FETCh:PULSe:STATistics:DRoOp?
<b>Related Commands</b>	<a href="#">FETCh:PULSe:STATistics:DRoDb?</a>



**Arguments** None

**Returns** <droop\_avg>, <droop\_min>, <droop\_max>

Where

<droop\_avg> :: <NRf> is the average droop.

<droop\_min> :: <NRf> is the minimum droop.

<droop\_max> :: <NRf> is the maximum droop.

Unit: Percent (%) by watts.

**Examples** FETCH:PULSE:STATISTICS:DROOP? might return 22.67E-3, -613.5E-3, 633.8E-3 for the droop in the pulse statistics.

## FETCH:PULSE:STATISTICS:DUTPct? (Query Only)

Returns the duty factor (%) in the pulse statistics. This command is valid when [DISPLAY:PULSE:STATISTICS:PLOT](#) is set to TRENd.

**Conditions** Measurement views: Pulse statistics

**Group** Fetch commands

**Syntax** FETCH:PULSE:STATISTICS:DUTPct?

**Arguments** None

**Returns** <duty\_pct\_avg>, <duty\_pct\_min>), <duty\_pct\_max>

Where

<duty\_pct\_avg> :: <NRf> is the average duty factor.

<duty\_pct\_min> :: <NRf> is the minimum duty factor.

<duty\_pct\_max> :: <NRf> is the maximum duty factor.

Unit: Percent (%).

**Examples** FETCH:PULSE:STATISTICS:DUTPCT? might return 2.437, 2.310, 2.657 for the duty factor (%) in the pulse statistics.

## FETCh:PULSe:STATistics:DUTRatio? (Query Only)

Returns the duty factor (ratio) in the pulse statistics. This command is valid when [DISPlay:PULSe:STATistics:PLOT](#) is set to TREND.

**Conditions** Measurement views: Pulse statistics

**Group** Fetch commands

**Syntax** FETCh:PULSe:STATistics:DUTRatio?

**Arguments** None

**Returns** <duty\_ratio\_avg>, <duty\_ratio\_min>, <duty\_ratio\_max>

Where

<duty\_ratio\_avg> :: <Nrf> is the average duty factor.

<duty\_ratio\_min> :: <Nrf> is the minimum duty factor.

<duty\_ratio\_max> :: <Nrf> is the maximum duty factor.

Unit: None.

**Examples** FETCh:PULSe:STATISTICS:DUTRATIO? might return 24.37E-3, 23.11E-3, 26.57E-3 for the duty factor (ratio) in the pulse statistics.

## FETCh:PULSe:STATistics:FALL? (Query Only)

Returns the fall time in the pulse statistics. This command is valid when [DISPlay:PULSe:STATistics:PLOT](#) is set to TREND.

**Conditions** Measurement views: Pulse statistics

**Group** Fetch commands

**Syntax** FETCh:PULSe:STATistics:FALL?

**Arguments** None

**Returns** <fall\_avg>, <fall\_min>, <fall\_max>

Where

<fall\_avg> :: <NRf> is the average fall time.

<fall\_min> :: <NRf> is the minimum fall time.

<fall\_max> :: <NRf> is the maximum fall time.

Unit: Seconds.

**Examples**    `FETCH:PULSE:STATISTICS:FALL?` might return `70.27E-9,69.62E-9,71.27E-9` for the fall time in the pulse statistics.

## FETCH:PULSe:STATistics:FRDeviation? (Query Only)

Returns the frequency deviation in the pulse statistics. This command is valid when [DISPlay:PULSe:STATistics:PLOT](#) is set to TRENd.

**Conditions**    Measurement views: Pulse statistics

**Group**    Fetch commands

**Syntax**    `FETCH:PULSe:STATistics:FRDeviation?`

**Arguments**    None

**Returns**    <freq\_dev\_avg>,<freq\_dev\_min>,<freq\_dev\_max>

Where

<freq\_dev\_avg> :: <NRf> is the average frequency deviation.

<freq\_dev\_min> :: <NRf> is the minimum frequency deviation.

<freq\_dev\_max> :: <NRf> is the maximum frequency deviation.

Unit: Hz.

**Examples**    `FETCH:PULSE:STATISTICS:FRDEVIATION?` might return `754.1E+3,660.5E+3,835.2E+3` for the frequency deviation in the pulse statistics.

## FETCH:PULSe:STATistics:IRAMplitude? (Query Only)

Returns the Pulse Impulse Response Amplitude measurement in the pulse statistics.

**Conditions**    Measurement views: Pulse statistics

<b>Group</b>	Fetch commands
<b>Syntax</b>	FETCh:PULSe:STATistics:IRAmplitude?
<b>Arguments</b>	None
<b>Returns</b>	<amp_avg>, <amp_min>, <amp_max> Where <amp_avg> :: <Nrf> is the average of the impulse response amplitude. <amp_min> :: <Nrf> is the minimum of the impulse response amplitude. <amp_max> :: <Nrf> is the maximum of impulse response amplitude. Unit: dB.
<b>Examples</b>	FETCh:PULSe:STATISTICS:IRAMPLITUDE? might return -45.3, -47.1, -43.2 for the impulse response amplitude in the pulse statistics.

## FETCh:PULSe:STATistics:IRTime? (Query Only)

Returns the impulse response time in the pulse statistics.

<b>Conditions</b>	Measurement views: Pulse statistics
<b>Group</b>	Fetch commands
<b>Syntax</b>	FETCh:PULSe:STATistics:IRTime?
<b>Returns</b>	<avg_avg>, <avg_min>, <avg_max> Where <avg_avg> :: <Nrf> is the average of the impulse response time. <avg_min> :: <Nrf> is the minimum of the impulse response time. <avg_max> :: <Nrf> is the maximum of impulse response time. Unit: seconds.

**Examples**    `FETCH:PULSE:STATISTICS:IRTIME?` might return `-2.35, -2.36, -2.34` for the impulse response time in the pulse statistics.

## FETCH:PULSe:STATistics:MFReqerror? (Query Only)

Returns the maximum frequency error in the pulse statistics. This command is valid when `DISPlay:PULSe:STATistics:PLOT` is set to `TREND`.

**Conditions**    Measurement views: Pulse statistics

**Group**    Fetch commands

**Syntax**    `FETCH:PULSe:STATistics:MFReqerror?`

**Arguments**    None

**Returns**    `<max_freq_err_avg>, <max_freq_err_min>, <max_freq_err_max>`

Where

`<max_freq_err_avg>` :: `<NRf>` is the average of maximum frequency error.

`<max_freq_err_min>` :: `<NRf>` is the minimum of maximum frequency error.

`<max_freq_err_max>` :: `<NRf>` is the maximum of maximum frequency error.

Unit: Hz.

**Examples**    `FETCH:PULSE:STATISTICS:MFREQERROR?` might return `645.0E+3, 555.6E+3, 738.8E+3` for the maximum frequency error in the pulse statistics.

## FETCH:PULSe:STATistics:MPHerror? (Query Only)

Returns the maximum phase error in the pulse statistics. This command is valid when `DISPlay:PULSe:STATistics:PLOT` is set to `TREND`.

**Conditions**    Measurement views: Pulse statistics

**Group**    Fetch commands

**Syntax**     **FETCh:PULSe:STATistics:MPHerror?**

**Arguments**   None

**Returns**     <max\_phase\_err\_avg>, <max\_phase\_err\_min>, <max\_phase\_err\_max>

Where

<max\_phase\_err\_avg> :: <NRf> is the average of maximum phase error.

<max\_phase\_err\_min> :: <NRf> is the minimum of maximum phase error.

<max\_phase\_err\_max> :: <NRf> is the maximum of maximum phase error.

Unit: Degrees.

**Examples**     **FETCh:PULSe:STATISTICS:MPHERROR?** might return -11.47, -17.18, -7.61 for the maximum phase error in the pulse statistics.

## **FETCh:PULSe:STATistics:OVEDb? (Query Only)**

Returns the overshoot measurement result in dB in the pulse statistics. This command is valid when [DISPlay:PULSe:STATistics:PLOT](#) is set to TREND or TTRend.

**Conditions**   Measurement views: Pulse statistics

**Group**        Fetch commands

**Syntax**       **FETCh:PULSe:STATistics:OVEDb?**

**Related Commands**   [FETCh:PULSe:STATistics:OVERshoot?](#)

**Arguments**   None

**Returns**     <overshoot\_avg>, <overshoot\_min>, <overshoot\_max>

Where

<overshoot\_avg> :: <NRf> is the average overshoot.

<overshoot\_min> :: <NRf> is the minimum overshoot.

<overshoot\_max> :: <NRf> is the maximum overshoot.

Unit: dB.

**Examples**     `FETCH:PULSE:STATISTICS:OVEDB?` might return `0.3,0.1,0.5` for the overshoot measurement result in dB in the pulse statistics.

## FETCH:PULSe:STATistics:OVERshoot? (Query Only)

Returns the overshoot in the pulse statistics. This command is valid when [DISPlay:PULSe:STATistics:PLOT](#) is set to TRENd or TTRend.

**Conditions**     Measurement views: Pulse statistics

**Group**     Fetch commands

**Syntax**     `FETCH:PULSe:STATistics:OVERshoot?`

**Related Commands**     [FETCH:PULSe:STATistics:OVEDb?](#)

**Arguments**     None

**Returns**     `<overshoot_avg>, <overshoot_min>, <overshoot_max>`

Where

`<overshoot_avg>`    ::   `<NRf>` is the average overshoot.

`<overshoot_min>`    ::   `<NRf>` is the minimum overshoot.

`<overshoot_max>`    ::   `<NRf>` is the maximum overshoot.

Unit: Percent (%) by watts or volts.

**Examples**     `FETCH:PULSE:STATISTICS:OVERSHOOT?` might return `0.3,0.1,0.5` for the overshoot in the pulse statistics.

## FETCH:PULSe:STATistics:PHDeviation? (Query Only)

Returns the phase deviation in the pulse statistics. This command is valid when [DISPlay:PULSe:STATistics:PLOT](#) is set to TRENd.

**Conditions**     Measurement views: Pulse statistics

**Group**     Fetch commands

<b>Syntax</b>	FETCh:PULSe:STATistics:PHDeviation?
<b>Arguments</b>	None
<b>Returns</b>	<phase_dev_avg>, <phase_dev_min>, <phase_dev_max> Where <phase_dev_avg> :: <Nrf> is the average phase deviation. <phase_dev_min> :: <Nrf> is the minimum phase deviation. <phase_dev_max> :: <Nrf> is the maximum phase deviation. Unit: Degrees.
<b>Examples</b>	FETCh:PULSe:STATISTICS:PHDEVIATION? might return 11.678, 7.694, 17.374 for the phase deviation in the pulse statistics.

## FETCh:PULSe:STATistics:PPFRequency? (Query Only)

Returns the pulse-pulse carrier frequency in the pulse statistics. This command is valid when [DISPlay:PULSe:STATistics:PLOT](#) is set to TREND.

<b>Conditions</b>	Measurement views: Pulse statistics
<b>Group</b>	Fetch commands
<b>Syntax</b>	FETCh:PULSe:STATistics:PPFRequency?
<b>Arguments</b>	None
<b>Returns</b>	<pp_freq_avg>, <pp_freq_min>, <pp_freq_max> Where <pp_freq_avg> :: <Nrf> is the average pulse-pulse carrier frequency. <pp_freq_min> :: <Nrf> is the minimum pulse-pulse carrier frequency. <pp_freq_max> :: <Nrf> is the maximum pulse-pulse carrier frequency. Unit: Hz.
<b>Examples</b>	FETCh:PULSe:STATISTICS:PPFREQUENCY? might return 1.135E+3, 311.3E+3, -262.8E+3 for the pulse-pulse carrier frequency in the pulse statistics.



## FETCh:PULSe:STATistics:PPOWer? (Query Only)

Returns the peak power in the pulse statistics. This command is valid when [DISPlay:PULSe:STATistics:PLOT](#) is set to TREND.

<b>Conditions</b>	Measurement views: Pulse statistics
<b>Group</b>	Fetch commands
<b>Syntax</b>	FETCh:PULSe:STATistics:PPOWer?
<b>Arguments</b>	None
<b>Returns</b>	<code>&lt;pk_power_avg&gt;</code> , <code>&lt;pk_power_min&gt;</code> , <code>&lt;pk_power_max&gt;</code> Where <code>&lt;pk_power_avg&gt;</code> :: <code>&lt;NRf&gt;</code> is the average peak power. <code>&lt;pk_power_min&gt;</code> :: <code>&lt;NRf&gt;</code> is the minimum peak power. <code>&lt;pk_power_max&gt;</code> :: <code>&lt;NRf&gt;</code> is the maximum peak power. Unit: dBm. The unit can be changed by the <a href="#">[SENSe]:POWer:UNITs</a> command.
<b>Examples</b>	FETCh:PULSe:STATISTICS:PPOWER? might return -2.273, -2.313, -2.235 for the peak power in the pulse statistics.

## FETCh:PULSe:STATistics:PPPHase? (Query Only)

Returns the pulse-pulse carrier phase in the pulse statistics. This command is valid when [DISPlay:PULSe:STATistics:PLOT](#) is set to TREND.

<b>Conditions</b>	Measurement views: Pulse statistics
<b>Group</b>	Fetch commands
<b>Syntax</b>	FETCh:PULSe:STATistics:PPPHase?
<b>Arguments</b>	None

**Returns** <pp\_phase\_avg>, <pp\_phase\_min>, <pp\_phase\_max>

Where

<pp\_phase\_avg> :: <Nrf> is the average pulse-pulse carrier phase.

<pp\_phase\_min> :: <Nrf> is the minimum pulse-pulse carrier phase.

<pp\_phase\_max> :: <Nrf> is the maximum pulse-pulse carrier phase.

Unit: Degrees.

**Examples** FETCH:PULSE:STATISTICS:PPHASE? might return  
-9.298E-3, -254.3E-3, 311.7E-3 for the pulse-pulse carrier phase in the  
pulse statistics.

## FETCh:PULSe:STATistics:RINTerval? (Query Only)

Returns the repetition interval in the pulse statistics. This command is valid when  
[DISPlay:PULSe:STATistics:PLOT](#) is set to TRENd.

**Conditions** Measurement views: Pulse statistics

**Group** Fetch commands

**Syntax** FETCh:PULSe:STATistics:RINTerval?

**Arguments** None

**Returns** <rep\_int\_avg>, <rep\_int\_min>, <rep\_int\_max>

Where

<rep\_int\_avg> :: <Nrf> is the average repetition interval.

<rep\_int\_min> :: <Nrf> is the minimum repetition interval.

<rep\_int\_max> :: <Nrf> is the maximum repetition interval.

Unit: Seconds.

**Examples** FETCH:PULSE:STATISTICS:RINTERVAL? might return  
240.5E-6, 217.9E-6, 281.2E-6 for the repetition interval in the  
pulse statistics.

## FETCh:PULSe:STATistics:RIPDb? (Query Only)

Returns the ripple in dB in the pulse statistics. This command is valid when [DISPlay:PULSe:STATistics:PLOT](#) is set to TREND.

**Conditions** Measurement views: Pulse statistics

**Group** Fetch commands

**Syntax** FETCh:PULSe:STATistics:RIPDb?

**Related Commands** [FETCh:PULSe:STATistics:RIPPLE?](#)

**Arguments** None

**Returns** <ripple\_avg>,<ripple\_min>,<ripple\_max>

Where

<ripple\_avg> :: <NRf> is the average ripple.

<ripple\_min> :: <NRf> is the minimum ripple.

<ripple\_max> :: <NRf> is the maximum ripple.

Unit: dB.

**Examples** FETCh:PULSe:STATISTICS:RIPDB? might return 160.4E-3, 83.78E-3, 287.7E-3 for the ripple in dB in the pulse statistics.

## FETCh:PULSe:STATistics:RIPPLE? (Query Only)

Returns the ripple in the pulse statistics. This command is valid when [DISPlay:PULSe:STATistics:PLOT](#) is set to TREND.

**Conditions** Measurement views: Pulse statistics

**Group** Fetch commands

**Syntax** FETCh:PULSe:STATistics:RIPPLE?

**Related Commands** [FETCh:PULSe:STATistics:RIPDb?](#)

**Arguments** None

**Returns** <ripple\_avg>, <ripple\_min>, <ripple\_max>

Where

<ripple\_avg> :: <NRf> is the average ripple.

<ripple\_min> :: <NRf> is the minimum ripple.

<ripple\_max> :: <NRf> is the maximum ripple.

Unit: Percent (%) by watts or volts.

**Examples** FETCH:PULSE:STATISTICS:RIPPLE? might return 160.4E-3, 83.78E-3, 287.7E-3 for the ripple in the pulse statistics.

## FETCH:PULSE:STATISTICS:RISE? (Query Only)

Returns the rise time in the pulse statistics. This command is valid when [DISPLAY:PULSE:STATISTICS:PLOT](#) is set to TRENd.

**Conditions** Measurement views: Pulse statistics

**Group** Fetch commands

**Syntax** FETCH:PULSE:STATISTICS:RISE?

**Arguments** None

**Returns** <rise\_avg>, <rise\_min>, <rise\_max>

Where

<rise\_avg> :: <NRf> is the average rise time.

<rise\_min> :: <NRf> is the minimum rise time.

<rise\_max> :: <NRf> is the maximum rise time.

Unit: Seconds.

**Examples** FETCH:PULSE:STATISTICS:RISE? might return 105.4E-9, 91.65E-9, 116.2E-9 for the rise time in the pulse statistics.

## FETCh:PULSe:STATistics:RMSFreqerror? (Query Only)

Returns the RMS frequency error in the pulse statistics. This command is valid when [DISPlay:PULSe:STATistics:PLOT](#) is set to TREND.

<b>Conditions</b>	Measurement views: Pulse statistics
<b>Group</b>	Fetch commands
<b>Syntax</b>	FETCh:PULSe:STATistics:RMSFreqerror?
<b>Arguments</b>	None
<b>Returns</b>	<RMS_freq_err_avg>, <RMS_freq_err_min>, <RMS_freq_err_max> Where <RMS_freq_err_avg> :: <NRf> is the average of RMS frequency error. <RMS_freq_err_min> :: <NRf> is the minimum of RMS frequency error. <RMS_freq_err_max> :: <NRf> is the maximum of RMS frequency error. Unit: Hz.
<b>Examples</b>	FETCh:PULSe:STATISTICS:RMSFREQERROR? might return 63.67E+3, 45.49E+3, 81.28E+3 for the RMS frequency error in the pulse statistics.

## FETCh:PULSe:STATistics:RMSPherror? (Query Only)

Returns the RMS phase error in the pulse statistics. This command is valid when [DISPlay:PULSe:STATistics:PLOT](#) is set to TREND.

<b>Conditions</b>	Measurement views: Pulse statistics
<b>Group</b>	Fetch commands
<b>Syntax</b>	FETCh:PULSe:STATistics:RMSPherror?
<b>Arguments</b>	None
<b>Returns</b>	<RMS_phase_err_avg>, <RMS_phase_err_min>, <RMS_phase_err_max>

Where

<RMS\_phase\_err\_avg> :: <NRf> is the average of RMS phase error.

<RMS\_phase\_err\_min> :: <NRf> is the minimum of RMS phase error.

<RMS\_phase\_err\_max> :: <NRf> is the maximum of RMS phase error.

Unit: Degrees.

**Examples**    `FETCH:PULSE:STATISTICS:RMSPHERROR?` might return `1.032,604.5E-3,1.606` for the RMS phase error in the pulse statistics.

## FETCH:PULSE:STATISTICS:RRATE? (Query Only)

Returns the repetition rate in the pulse statistics. This command is valid when [DISPlay:PULSE:STATISTICS:PLOT](#) is set to TREND.

**Conditions**    Measurement views: Pulse trace

**Group**        Fetch commands

**Syntax**       `FETCH:PULSE:STATISTICS:RRATE?`

**Arguments**    None

**Returns**       `<rep_rate_avg>,<rep_rate_min>,<rep_rate_max>`

Where

<rep\_rate\_avg> :: <NRf> is the average repetition rate.

<rep\_rate\_min> :: <NRf> is the minimum repetition rate.

<rep\_rate\_max> :: <NRf> is the maximum repetition rate.

Unit: Hz.

**Examples**    `FETCH:PULSE:STATISTICS:RRATE?` might return `62.50E+3,62.49E+3,62.52E+3` for the repetition rate in the pulse statistics.

## FETCH:PULSE:STATISTICS:WIDTH? (Query Only)

Returns the pulse width in the pulse statistics. This command is valid when [DISPlay:PULSE:STATISTICS:PLOT](#) is set to TREND.

**Conditions**    Measurement views: Pulse trace

<b>Group</b>	Fetch commands
<b>Syntax</b>	FETCh:PULSe:STATistics:WIDTH?
<b>Arguments</b>	None
<b>Returns</b>	<width_avg>, <width_min>, <width_max> Where <width_avg> :: <NRf> is the average pulse width. <width_min> :: <NRf> is the minimum pulse width. <width_max> :: <NRf> is the maximum pulse width. Unit: Seconds.
<b>Examples</b>	FETCh:PULSe:STATISTICS:WIDTH? might return 4.636E-6, 4.630E-6, 4.643E-6 for the pulse width in the pulse statistics.

## FETCh:PULSe:STATistics:X? (Query Only)

Returns the horizontal values of the trace data of the pulse statistics measurement selected by the [DISPlay:PULSe:SElect:RESult](#) command.

---

**NOTE.** Select the plot type (Trend, FFT, Time Trend or Histogram) using the [DISPlay:PULSe:STATistics:PLOT](#) command before executing this query.

---

<b>Conditions</b>	Measurement views: Pulse statistics
<b>Group</b>	Fetch commands
<b>Syntax</b>	FETCh:PULSe:STATistics:X?
<b>Arguments</b>	None
<b>Returns</b>	#<num_digit><num_byte><data1><data2>...data<n> Where <num_digit> is the number of digits in <num_byte>. <num_byte> is the number of bytes of data that follow. <data(n)> is the horizontal value of the statistics graph at the n <sup>th</sup> data point.

The unit is trace number (Plot = Trend), Hz (Plot = FFT), second (Plot = Time Trend) or current measurement unit (Plot = Histogram).  
 4-byte little endian floating-point format specified in IEEE 488.2.

**Examples**     `FETCH:PULSE:STATISTICS:X?` might return `#264xxxx...` (64-byte data) for the statistics trace of the pulse width measurement when `DISPlay:PULSe:SElect:RESult` is set to `WIDTH`.

## FETCH:PULSe:STATistics:XY? (Query Only)

Returns the horizontal and vertical values of the trace data of the pulse statistics measurement selected by the `DISPlay:PULSe:SElect:RESult` command.

---

**NOTE.** Select the plot type (Trend, FFT, Time Trend or Histogram) using the `DISPlay:PULSe:STATistics:PLOT` command before executing this query.

---

**Conditions**     Measurement views: Pulse statistics

**Group**            Fetch commands

**Syntax**           `FETCH:PULSe:STATistics:XY?`

**Arguments**        None

**Returns**           `#<num_digit><num_byte><data1><data2>...data<n>`

Where

`<num_digit>` is the number of digits in `<num_byte>`.

`<num_byte>` is the number of bytes of data that follow.

`<data(n)>` is the horizontal value of the statistics graph at the  $n^{\text{th}}$  data point.

`<data(n+1)>` is the vertical value of the statistics graph at the  $n^{\text{th}}$  data point.

For horizontal values, the unit is trace number (Plot = Trend), Hz (Plot = FFT), second (Plot = Time Trend) or current measurement unit (Plot = Histogram).

For vertical values, the unit is current measurement unit (Plot = Trend or Time Trend), dB (Plot = FFT), count (Plot = Histogram)

4-byte little endian floating-point format specified in IEEE 488.2.



**Examples**    `FETCH:PULSE:STATISTICS:XY?` might return `#264xxxx...` (64-byte data) for the statistics trace of the pulse width measurement when `DISPlay:PULSe:SElect:RESult` is set to `WIDTh`.

## FETCH:PULSe:STATistics[:Y]? (Query Only)

Returns the trace data of the pulse statistics measurement selected by the `DISPlay:PULSe:SElect:RESult` command.

---

**NOTE.** *Select the plot type (Trend, FFT, Time Trend or Histogram) using the `DISPlay:PULSe:STATistics:PLOT` command before executing this query.*

---

**Conditions**    Measurement views: Pulse statistics

**Group**    Fetch commands

**Syntax**    `FETCH:PULSe:STATistics[:Y]?`

**Returns**    `#<num_digit><num_byte><data(1)><data(2)>...<data(n)>`

Where

`<num_digit>` is the number of digits in `<num_byte>`.

`<num_byte>` is the number of bytes of data that follow.

`<data(n)>` is the amplitude at the  $n^{\text{th}}$  data point.

The unit is current measurement unit (Plot = Trend or Time Trend), dB (Plot = FFT), count or percent (Plot = Histogram)

4-byte little endian floating-point format specified in IEEE 488.2.

The unit of power is selected by the `[SENSe]:POWer:UNITs` command.

**Examples**    `FETCH:PULSE:STATISTICS[:Y]?` might return `#264xxxx...` (64-byte data) for the statistics trace of the pulse width measurement when `DISPlay:PULSe:SElect:RESult` is set to `WIDTh`.

## FETCH:PULSe:TRACe:X? (Query Only)

Returns the time values of the pulse trace. Use the `DISPlay:PULSe:SElect:NUMBer` command to select the pulse, and the `DISPlay:PULSe:SElect:RESult` command to select the measurement result.

<b>Conditions</b>	Measurement views: Pulse trace
<b>Group</b>	Fetch commands
<b>Syntax</b>	FETCh:PULSe:TRACe:X?
<b>Arguments</b>	None
<b>Returns</b>	#<num_digit><num_byte><x(1)><x(2)>...<x(n)> Where <num_digit> is the number of digits in <num_byte>. <num_byte> is the number of bytes of data that follow. <x(n)> is the time in seconds at the n <sup>th</sup> data point, 4-byte little endian floating-point format specified in IEEE 488.2.
<b>Examples</b>	FETCh:PULSe:TRACe:X? might return #43204xxxx... (3204-byte data) for the time values of the trace.

## FETCh:PULSe:TRACe:XY? (Query Only)

Returns the horizontal (time) and vertical value pairs of the pulse trace. Use the [DISPlay:PULSe:SElect:NUMBer](#) command to select the pulse, and the [DISPlay:PULSe:SElect:RESult](#) command to select the measurement result.

<b>Conditions</b>	Measurement views: Pulse trace
<b>Group</b>	Fetch commands
<b>Syntax</b>	FETCh:PULSe:TRACe:XY?
<b>Arguments</b>	None
<b>Returns</b>	#<num_digit><num_byte><x(1)><y(1)><x(2)><y(2)>...<x(n)><y(n)> Where <num_digit> is the number of digits in <num_byte>. <num_byte> is the number of bytes of data that follow.

<x(n)><y(n)> is the horizontal value (time in seconds) and vertical value pair at the n<sup>th</sup> data point, 4-byte little endian floating-point format specified in IEEE 488.2.

The vertical unit depends on measurement results: Hz for frequency error and deviation, degrees for phase error and deviation, otherwise dBm. The vertical unit can be changed by the [\[SENSE\]:POWER:UNITs](#) command.

**Examples**     `FETCH:PULSE:TRACE:XY?` might return `#43204xxxx...` (3204-byte data) for the horizontal (time) and vertical value pairs of the pulse trace.

## FETCH:PULSE:TRACE[:Y]? (Query Only)

Returns the vertical values of the pulse trace. Use the [DISPlay:PULSE:SElect:NUMBER](#) command to select the pulse, and the [DISPlay:PULSE:SElect:RESult](#) command to select the measurement result.

**Conditions**     Measurement views: Pulse trace

**Group**     Fetch commands

**Syntax**     `FETCH:PULSE:TRACE[:Y]?`

**Arguments**     None

**Returns**     `#<num_digit><num_byte><y(1)><y(2)>...<y(n)>`

Where

<num\_digit> is the number of digits in <num\_byte>.

<num\_byte> is the number of bytes of data that follow.

<y(n)> is the amplitude (dBm) at the n<sup>th</sup> data point, 4-byte little endian floating-point format specified in IEEE 488.2.

The unit depends on measurement results: Hz for frequency error and deviation, degrees for phase error and deviation, otherwise dBm. The unit can be changed by the [\[SENSE\]:POWER:UNITs](#) command.

**Examples**     `FETCH:PULSE:TRACE:Y?` might return `#43204xxxx...` (3204-byte data) for the vertical values of the pulse trace.

## FETCh:RFIN:IQ? (Query Only)

Returns time-domain IQ data for a specific acquisition data record. You can set a range of IQ pairs optionally. The instrument needs to be in stopped mode. If not in stopped mode, it returns the execution error (-200).

<b>Conditions</b>	Measurement views: All
<b>Group</b>	Fetch commands
<b>Syntax</b>	FETCh:RFIN:IQ? <rec_ID>[, <begin_num>, <end_num>]
<b>Arguments</b>	<p>&lt;rec_ID&gt; specifies the acquisition data record ID number. &lt;begin_num&gt; specifies the beginning number of IQ pairs. &lt;end_num&gt; specifies the end number of IQ pairs.</p> <p>Use the <a href="#">FETCh:RFIN:RECOrd:IDS?</a> query to get the beginning and end ID's of acquisition data records.</p>
<b>Returns</b>	<p>#&lt;num_digit&gt;&lt;num_byte&gt;&lt;I(1)&gt;&lt;Q(1)&gt;&lt;I(2)&gt;&lt;Q(2)&gt;...&lt;I(n)&gt;&lt;Q(n)&gt;</p> <p>Where &lt;num_digit&gt; is the number of digits in &lt;num_byte&gt;. &lt;num_byte&gt; is the number of bytes of data that follow. &lt;I(n)&gt; and &lt;Q(n)&gt; are the time-domain IQ data pair. 4-byte little endian floating-point format specified in IEEE 488.2.</p> <p>To find out the range of IQ pairs, use the <a href="#">FETCh:RFIN:IQ:HEADer?</a> query. The returned value of &lt;num_sample&gt; is the number of IQ pairs.</p> <hr/> <p><b>NOTE.</b> Do not fetch a large number of IQ pairs because of memory limitation.</p> <hr/>
<b>Examples</b>	FETCh:RFIN:IQ? 10,25,350 might return #43848xxxx... (3848-byte data) for the record #10, ranging from 25 <sup>th</sup> to 350 <sup>th</sup> IQ pair.

## FETCh:RFIN:IQ:HEADer? (Query Only)

Returns the header information for a specific acquisition data record. The instrument needs to be in stopped mode. If not in stopped mode, it returns the execution error (-200).

<b>Conditions</b>	Measurement views: All
-------------------	------------------------

<b>Group</b>	Fetch commands
<b>Syntax</b>	<code>FETCh:RFIN:IQ:HEADer? &lt;rec_ID&gt;</code>
<b>Arguments</b>	<p><code>&lt;rec_ID&gt;</code> specifies the acquisition data record ID number.</p> <p>Use the <a href="#">FETCh:RFIN:RECOrd:IDS?</a> query to get the beginning and end ID's of acquisition data records.</p>
<b>Returns</b>	<p><code>&lt;span&gt;</code>, <code>&lt;sampling_freq&gt;</code>, <code>&lt;num_sample&gt;</code>, <code>&lt;center_freq&gt;</code>, <code>&lt;acq_BW&gt;</code>, <code>&lt;ref_level&gt;</code>, <code>&lt;trig_pos&gt;</code>, <code>&lt;time_stamp&gt;</code>, <code>&lt;FastFrame_ID&gt;</code></p> <p>Where</p> <p><code>&lt;span&gt;</code> :: <code>&lt;NR3&gt;</code> is the span in Hz.</p> <p><code>&lt;sampling_freq&gt;</code> :: <code>&lt;NR3&gt;</code> is the sampling frequency in Hz.</p> <p><code>&lt;num_sample&gt;</code> :: <code>&lt;NR3&gt;</code> is the number of samples.</p> <p><code>&lt;center_freq&gt;</code> :: <code>&lt;NR3&gt;</code> is the center frequency in Hz.</p> <p><code>&lt;acq_BW&gt;</code> :: <code>&lt;NR3&gt;</code> is the acquisition bandwidth in Hz.</p> <p><code>&lt;ref_level&gt;</code> :: <code>&lt;NR3&gt;</code> is the reference level in dBm.</p> <p><code>&lt;trig_pos&gt;</code> :: <code>&lt;NR3&gt;</code> is the trigger position in seconds.</p> <p><code>&lt;time_stamp&gt;</code> :: <code>&lt;string&gt;</code> is the time stamp.</p> <p><code>&lt;FastFrame_ID&gt;</code> :: <code>&lt;NR1&gt;</code> is the Fast Frame ID: Zero or positive number. If the Fast Frame is disabled, the ID will be negative.</p>
<b>Examples</b>	<p><code>FETCh:RFIN:IQ:HEADer? 10</code> might return <code>40.0E+6,50.0E+6,4.027E+3,1.5E+9,40.0E+6,0.0,20.242E-6,"10/31/2007 1118:32 AM",-1</code>, indicating</p> <p>Span: 40 MHz,  Sampling frequency: 50 MHz,  Number of samples: 4027,  Center frequency: 1.5 GHz,  Acquisition bandwidth: 40 MHz,  Reference level: 0 dBm,  Trigger position: 20.242 <math>\mu</math>s,  Time stamp: 10/31/2007 1118:32 AM, and  Fast Frame ID: -1</p>

## FETCh:RFIN:IQ:SCALE? (Query Only)

Returns the internal RF linear data scaling factor contained in the .tiq file header. The scaling factor can be used to convert digital IQ output (Option 05) values into real IQ values.

<b>Conditions</b>	Measurement views: All
<b>Group</b>	Fetch commands
<b>Syntax</b>	FETCh:RFIN:IQ:SCALE?
<b>Related Commands</b>	<a href="#">FETCh:RFIN:RECOrd:IDS?</a>
<b>Arguments</b>	None
<b>Returns</b>	<NR3> The RF linear data scaling factor.
<b>Examples</b>	FETCh:RFIN:IQ:SCALE? might return 19.553E-6 for the scaling factor.

## FETCh:RFIN:RECOrd:IDS? (Query Only)

Returns the beginning and end ID numbers of acquisition data.

---

**NOTE.** *The instrument needs to be in stopped mode. If not in stopped mode, it returns the execution error (-200).*

---

<b>Conditions</b>	Measurement views: All
<b>Group</b>	Fetch commands
<b>Syntax</b>	FETCh:RFIN:RECOrd:IDS?
<b>Arguments</b>	None
<b>Returns</b>	<begin_ID>, <end_ID>

Where

<begin\_ID> :: <NR1> is the beginning ID of acquisition data.

<end\_ID> :: <NR1> is the end ID of acquisition data.

---

**NOTE.** “-1,-1” is returned when the span changes and the acquisition is armed, but the acquisition has not yet occurred.

---

**Examples**    `FETCH:RFIN:RECORD:IDS?` might return 1,147, indicating the beginning and end ID's of acquisition data are 1 and 147, respectively.

## FETCH:SEM:MHITS:COUNT? (Query Only)

Returns the number of rows in the results table in the Spectral Emissions Mask measurement.

**Conditions**    Measurement views: Spectral Emissions Mask

**Group**        Fetch commands

**Syntax**       `FETCH:SEM:MHITS:COUNT?`

**Arguments**    None

**Returns**       <NRf> The number of rows in the table.

**Examples**       `FETCH:SEM:MHITS:COUNT?` might return 7 indicating there are seven rows in the results table.

## FETCH:SEM:MHITS<x>:AMPLitude:ABSolute? (Query Only)

Returns the absolute amplitude of the specified mask hit signal in the Spectral Emissions Mask measurement.

**Conditions**    Measurement views: Spectral Emissions Mask

**Group**        Fetch commands

**Syntax**     `FETCh:SEM:MHITs<x>:AMPLitude:ABSolute?`

**Arguments**     None

**Returns**     `<NRF>` Absolute amplitude of the specified signal in dBm.  
`<x>` specifies the row in the results table, where the range is from 1 to 12.

**Examples**     `FETCh:SEM:MHITs2:AMPLitude:ABSolute?` might return `-73.17` indicating that the absolute amplitude of signal in row 2 is `-73.17` dBm.

### **FETCh:SEM:MHITs<x>:AMPLitude:RELative? (Query Only)**

Returns the relative amplitude of the specified mask hit signal in the Spectral Emissions Mask measurement.

**Conditions**     Measurement views: Spectral Emissions Mask

**Group**     Fetch commands

**Syntax**     `FETCh:SEM:MHITs<x>:AMPLitude:RELative?`

**Arguments**     None

**Returns**     `<NRF>` Relative amplitude of the specified signal in dBm.  
`<x>` specifies the row in the results table, where the range is from 1 to 12.

**Examples**     `FETCh:SEM:MHITs2:AMPLitude:RELative?` might return `-91.81` indicating that the relative amplitude of mask hit signal in row 2 is `-91.81` dBm.

### **FETCh:SEM:MHITs<x>:FREQUency? (Query Only)**

Returns the frequency of the specified mask hit signal in the Spectral Emissions Mask measurement.

**Conditions**     Measurement views: Spectral Emissions Mask



---

<b>Group</b>	Fetch commands
<b>Syntax</b>	FETCh:SEM:MHITs<x>:FREQuency?
<b>Arguments</b>	None
<b>Returns</b>	<NRf> Relative amplitude of the specified signal in dBm. <x> specifies the row in the results table, where the range is from 1 to 12.
<b>Examples</b>	FETCh:SEM:MHITs4:FREQuency? might return 2.235E+6 indicating the frequency for mask hit signal in row 4 is 2.235 MHz.

### FETCh:SEM:MHITs<x>:INTEg:ABSolute? (Query Only)

Returns the absolute integration amplitude of the specified mask hit signal in the Spectral Emissions Mask measurement.

<b>Conditions</b>	Measurement views: Spectral Emissions Mask
<b>Group</b>	Fetch commands
<b>Syntax</b>	FETCh:SEM:MHITs<x>:INTEg:ABSolute?
<b>Arguments</b>	None
<b>Returns</b>	<NRf> Absolute integration amplitude of the specified signal in dBm. <x> specifies the row in the results table, where the range is from 1 to 12.
<b>Examples</b>	FETCh:SEM:MHITs4:INTEg:ABSolute? might return -75.14 indicating that the absolute integration amplitude for mask hit signal in row 4 is -75.14 dBm.

## **FETCh:SEM:MHITs<x>:INTEg:RELative? (Query Only)**

Returns the relative integration amplitude of the specified mask hit signal in the Spectral Emissions Mask measurement.

**Conditions** Measurement views: Spectral Emissions Mask

**Group** Fetch commands

**Syntax** FETCh:SEM:MHITs<x>:INTEg:RELative?

**Arguments** None

**Returns** <NRF> Relative integration amplitude of the specified signal in dBm.  
<x> specifies the row in the results table, where the range is from 1 to 12.

**Examples** FETCh:SEM:MHITs4:INTEg:RELative? might return -85.14 indicating that the relative integration amplitude for mask hit signal in row 4 is -85.14 dBm.

## **FETCh:SEM:MHITs<x>:MARGin:ABSolute? (Query Only)**

Returns the absolute margin for the specified mask hit signal in the Spectral Emissions Mask measurement.

**Conditions** Measurement views: Spectral Emissions Mask

**Group** Fetch commands

**Syntax** FETCh:SEM:MHITs<x>:MARGin:ABSolute?

**Arguments** None

**Returns** <NRF> Absolute margin of the specified signal in dB.  
<x> specifies the row in the results table, where the range is from 1 to 12.

**Examples**     `FETCh:SEM:MHITs4:MARGin:ABSolute?` might return `-62.33` indicating that the absolute margin for mask hit signal in row 4 is `-62.33` dB.

## **FETCh:SEM:MHITs<x>:MARGin:RELative? (Query Only)**

Returns the relative margin for the specified mask hit signal in the Spectral Emissions Mask measurement.

**Conditions**     Measurement views: Spectral Emissions Mask

**Group**     Fetch commands

**Syntax**     `FETCh:SEM:MHITs<x>:MARGin:RELative?`

**Arguments**     None

**Returns**     `<NRf>` Relative margin of the specified signal in dB.  
`<x>` specifies the row in the results table, where the range is from 1 to 12.

**Examples**     `FETCh:SEM:MHITs4:MARGin:RELative?` might return `-62.33` indicating that the relative margin for mask hit signal in row 4 is `-62.33` dB.

## **FETCh:SEM:MHITs<x>:OFFSet? (Query Only)**

Returns the offset for the specified mask hit signal in the Spectral Emissions Mask measurement.

**Conditions**     Measurement views: Spectral Emissions Mask

**Group**     Fetch commands

**Syntax**     `FETCh:SEM:MHITs<x>:OFFSet?`

**Arguments**     None

**Returns**     `<NRf>` specifies the mask hit offset.

<x> specifies the row in the results table, where the range is from 1 to 12.

**Examples**     `FETCh:SEM:MHITS4:OFFSet?` might return BL indicating the offset for mask hit signal in row 4 is BL.

## **FETCh:SEM:PASS? (Query Only)**

Returns the pass/fail limit test result in the Spectral Emissions Mask measurement.

**Conditions**     Measurement views: Spectral Emissions Mask

**Group**     Fetch commands

**Syntax**     `FETCh:SEM:PASS?`

**Arguments**     None

**Returns**     0 (fail) or 1 (pass)

**Examples**     `FETCh:SEM:PASS?` might return 1, indicating that the limit test was successful.

## **FETCh:SEM:REF:POWER? (Query Only)**

Returns the reference power level in the Spectral Emissions Mask measurement.

**Conditions**     Measurement views: Spectral Emissions Mask

**Group**     Fetch commands

**Syntax**     `FETCh:SEM:REF:POWER?`

**Arguments**     None

**Returns**     <NRF> specifies the reference power.

**Examples**    `FETCH:SEM:REF:POWER?` might return `-16.92 dBm` indicating that the reference power level is `-16.92 dBm`.

## FETCH:SEM:SPECTrum:X? (Query Only)

Returns the frequencies of the spectrum trace in the Spectral Emissions Mask measurement.

**Conditions**    Measurement views: Spectral Emissions Mask

**Group**    Fetch commands

**Syntax**    `FETCH:SEM:SPECTrum:X?`

**Arguments**    None

**Returns**    `#<num_digit><num_byte><x(1)><x(2)>...<x(n)>`

Where

`<num_digit>` is the number of digits in `<num_byte>`.

`<num_byte>` is the number of bytes of data that follow.

`<x(n)>` is the frequency (Hz) at the  $n^{\text{th}}$  data point,

4-byte little endian floating-point format specified in IEEE 488.2.

**Examples**    `FETCH:SEM:SPECTRUM:X?` might return `#516020xxxx...` (16020-byte data) for the frequencies of the spectrum trace.

## FETCH:SEM:SPECTrum:XY? (Query Only)

Returns the frequency and amplitude pairs of the spectrum trace in the Spectral Emissions Mask measurement.

**Conditions**    Measurement views: Spectral Emissions Mask

**Group**    Fetch commands

**Syntax**    `FETCH:SEM:SPECTrum:XY?`

<b>Arguments</b>	None
<b>Returns</b>	<p>#&lt;num_digit&gt;&lt;num_byte&gt;&lt;x(1)&gt;&lt;y(1)&gt;&lt;x(2)&gt;&lt;y(2)&gt; . . . &lt;x(n)&gt;&lt;y(n)&gt;</p> <p>Where</p> <p>&lt;num_digit&gt; is the number of digits in &lt;num_byte&gt;.</p> <p>&lt;num_byte&gt; is the number of bytes of data that follow.</p> <p>&lt;x(n)&gt;&lt;y(n)&gt; is the frequency (Hz) and amplitude (dBm) pair at the n<sup>th</sup> data point,</p> <p>4-byte little endian floating-point format specified in IEEE 488.2.</p>
<b>Examples</b>	<p>FETCH:SEM:SPECTRUM:XY? might return #516020xxxx . . . (16020-byte data) for the frequency and amplitude pairs of the spectrum trace.</p>

## FETCH:SEM:SPECTrum[:Y]? (Query Only)

Returns the amplitude of the spectrum trace in the Spectral Emissions Mask measurement.

<b>Conditions</b>	Measurement views: Spectral Emissions Mask
<b>Group</b>	Fetch commands
<b>Syntax</b>	FETCH:SEM:SPECTrum[:Y]?
<b>Arguments</b>	None
<b>Returns</b>	<p>#&lt;num_digit&gt;&lt;num_byte&gt;&lt;x(1)&gt;&lt;x(2)&gt; . . . &lt;x(n)&gt;</p> <p>Where</p> <p>&lt;num_digit&gt; is the number of digits in &lt;num_byte&gt;.</p> <p>&lt;num_byte&gt; is the number of bytes of data that follow.</p> <p>&lt;x(n)&gt; is the frequency (Hz) at the n<sup>th</sup> data point,</p> <p>4-byte little endian floating-point format specified in IEEE 488.2.</p>
<b>Examples</b>	<p>FETCH:SEM:SPECTRUM[:Y]? might return #516020xxxx . . . (16020-byte data) for the frequencies of the spectrum trace.</p>

## FETCh:SGRam? (Query Only)

Returns trace data of a line in the spectrogram. The line is selected using the [TRACe:SGRam:SELEct:LINE](#) command.

<b>Conditions</b>	Measurement views: Spectrogram
<b>Group</b>	Fetch commands
<b>Syntax</b>	FETCh:SGRam?
<b>Arguments</b>	None
<b>Returns</b>	#<num_digit><num_byte><data(1)><data(2)>...<data(n)> Where <num_digit> is the number of digits in <num_byte>. <num_byte> is the number of bytes of data that follow. <data(n)> is the amplitude in dBm at the n <sup>th</sup> data point, 4-byte little endian floating-point format specified in IEEE 488.2. The unit can be changed by the <a href="#">[SENSE]:POWEr:UNITs</a> command.
<b>Examples</b>	FETCh:SGRAM? might return #43204xxxx... (3204-byte data) for the line in the spectrogram.

## FETCh:SPECTrum:TRACe<x>? (Query Only)

Returns the trace data in the Spectrum measurement.

The parameter <x> = 1 to 5.

---

**NOTE.** *TRACe5 (spectrogram) is valid when the spectrum and spectrogram measurements are running.*

---

<b>Conditions</b>	Measurement views: Spectrum
<b>Group</b>	Fetch commands
<b>Syntax</b>	FETCh:SPECTrum:TRACe<x>?

<b>Related Commands</b>	TRACe<x>:SPECtrum command subgroup
<b>Arguments</b>	None
<b>Returns</b>	#<num_digit><num_byte><data(1)><data(2)>...<data(n)> Where <num_digit> is the number of digits in <num_byte>. <num_byte> is the number of bytes of data that follow. <data(n)> is the amplitude in dBm at the n <sup>th</sup> data point, 4-byte little endian floating-point format specified in IEEE 488.2. The unit can be changed by the [SENSE]:POWER:UNITs command.
<b>Examples</b>	FETCH:SPECTRUM:TRACE1? might return #43204xxxx... (3204-byte data) for Trace 1 in the Spectrum measurement.

## FETCH:SPURious:CARRier:POWER? (Query Only)

Returns the carrier power in the Spurious measurement.

<b>Conditions</b>	Measurement views: Spurious
<b>Group</b>	Fetch commands
<b>Syntax</b>	FETCH:SPURious:CARRier:POWER?
<b>Arguments</b>	None
<b>Returns</b>	<Nrf> Carrier power in dBm. The unit can be changed by the [SENSE]:POWER:UNITs command.
<b>Examples</b>	FETCH:SPURIOUS:CARRIER:POWER? might return 4.227, indicating that the carrier power is 4.227 dBm.



## FETCh:SPURious:COUNT? (Query Only)

Returns the number of spurious signals in the Spurious measurement.

**Conditions** Measurement views: Spurious

**Group** Fetch commands

**Syntax** FETCh:SPURious:COUNT?

**Arguments** None

**Returns** <NRf> The number of spurious signals.

**Examples** FETCh:SPURIOUS:COUNT? might return 4, indicating that the spurious count is 4.

## FETCh:SPURious:PASS? (Query Only)

Returns the pass/fail limit test result in the Spurious measurement.

**Conditions** Measurement views: Spurious

**Group** Fetch commands

**Syntax** FETCh:SPURious:PASS?

**Arguments** None

**Returns** 0 (fail) or 1 (pass).

**Examples** FETCh:SPURIOUS:PASS? might return 1, indicating that the limit test was successful.

## FETCh:SPURious:SPECTrum:X? (Query Only)

Returns the frequencies of the spectrum trace in the Spurious measurement.

**Conditions** Measurement views: Spurious

**Group** Fetch commands

**Syntax** FETCh:SPURious:SPECTrum:X?

**Arguments** None

**Returns** #<num\_digit><num\_byte><x(1)><x(2)>...<x(n)>

Where

<num\_digit> is the number of digits in <num\_byte>.

<num\_byte> is the number of bytes of data that follow.

<x(n)> is the frequency (Hz) at the n<sup>th</sup> data point,

4-byte little endian floating-point format specified in IEEE 488.2.

**Examples** FETCh:SPURIOUS:SPECTRUM:X? might return #516020xxxx... (16020-byte data) for the frequencies of the spectrum trace in the Spurious measurement.

## FETCh:SPURious:SPECTrum:XY? (Query Only)

Returns the frequency and amplitude pairs of the spectrum trace in the Spurious measurement.

**Conditions** Measurement views: Spurious

**Group** Fetch commands

**Syntax** FETCh:SPURious:SPECTrum:XY?

**Arguments** None

**Returns** #<num\_digit><num\_byte><x(1)><y(1)><x(2)><y(2)>...<x(n)><y(n)>

Where

<num\_digit> is the number of digits in <num\_byte>.  
 <num\_byte> is the number of bytes of data that follow.  
 <x(n)><y(n)> is the frequency (Hz) and amplitude (dBm) pair at the n<sup>th</sup> data point, 4-byte little endian floating-point format specified in IEEE 488.2.  
 The amplitude unit can be changed by the [\[SENSe\]:POWer:UNITs](#) command.

**Examples**    `FETCH:SPURIOUS:SPECTRUM:XY?` might return `#516020xxxx...` (16020-byte data) for the frequency and amplitude pairs of the spectrum trace in the Spurious measurement.

## FETCH:SPURious:SPECTrum[:Y]? (Query Only)

Returns the amplitudes of the spectrum trace in the Spurious measurement.

**Conditions**    Measurement views: Spurious

**Group**    Fetch commands

**Syntax**    `FETCH:SPURious:SPECTrum[:Y]?`

**Arguments**    None

**Returns**    `#<num_digit><num_byte><y(1)><y(2)>...<y(n)>`

Where  
 <num\_digit> is the number of digits in <num\_byte>.  
 <num\_byte> is the number of bytes of data that follow.  
 <y(n)> is the amplitude (dBm) at the n<sup>th</sup> data point, 4-byte little endian floating-point format specified in IEEE 488.2.  
 The unit can be changed by the [\[SENSe\]:POWer:UNITs](#) command.

**Examples**    `FETCH:SPURIOUS:SPECTRUM:Y?` might return `#516020xxxx...` (16020-byte data) for the amplitudes of the spectrum trace in the Spurious measurement.

## FETCH:SPURious:SPUR<x>:AMPLitude:ABSolute? (Query Only)

Returns the absolute amplitude of the specified spurious signal in the Spurious measurement.

**Conditions**    Measurement views: Spurious

<b>Group</b>	Fetch commands
<b>Syntax</b>	FETCH:SPURious:SPUR<x>:AMPLitude:ABSolute?
<b>Arguments</b>	None
<b>Returns</b>	<NRF> Absolute amplitude of the specified spurious signal in dBm. The unit can be changed by the [SENSE]:POWER:UNITs command.
<b>Examples</b>	FETCH:SPURIOUS:SPUR1:AMPLITUDE:ABSOLUTE? might return -19.782, indicating that the absolute amplitude of Spurious #1 is -19.782 dBm.

### FETCH:SPURious:SPUR<x>:AMPLitude:RELative? (Query Only)

Returns the relative amplitude of the specified spurious signal in the Spurious measurement.

<b>Conditions</b>	Measurement views: Spurious
<b>Group</b>	Fetch commands
<b>Syntax</b>	FETCH:SPURious:SPUR<x>:AMPLitude:RELative?
<b>Arguments</b>	None
<b>Returns</b>	<NRF> Relative amplitude of the specified spurious signal in dB. Use the [SENSE]:SPURious:REFerence command to set the power reference.
<b>Examples</b>	FETCH:SPURIOUS:SPUR1:AMPLITUDE:RELATIVE? might return -9.782, indicating that the relative amplitude of Spurious #1 is -9.782 dB.

### FETCH:SPURious:SPUR<x>:FREQuency:ABSolute? (Query Only)

Returns the absolute frequency of the specified spurious signal in the Spurious measurement.

<b>Conditions</b>	Measurement views: Spurious
-------------------	-----------------------------

---

<b>Group</b>	Fetch commands
<b>Syntax</b>	<code>FETCh:SPURious:SPUR&lt;x&gt;:FREQUency:ABSolute?</code>
<b>Arguments</b>	None
<b>Returns</b>	<Nrf> Absolute frequency of the spurious signal in Hz.
<b>Examples</b>	<code>FETCh:SPURIOUS:SPUR1:FREQUENCY:ABSOLUTE?</code> might return <code>2.235E+9</code> , indicating that the absolute frequency of Spurious #1 is 2.235 GHz.

### **FETCh:SPURious:SPUR<x>:FREQUency:RELative? (Query Only)**

Returns the relative frequency of the specified spurious signal to the carrier in the Spurious measurement. This command is valid when [\[SENSe\]:SPURious:REFeRence](#) is set to `CARRier`.

<b>Conditions</b>	Measurement views: Spurious
<b>Group</b>	Fetch commands
<b>Syntax</b>	<code>FETCh:SPURious:SPUR&lt;x&gt;:FREQUency:RELative?</code>
<b>Arguments</b>	None
<b>Returns</b>	<Nrf> Relative frequency of the spurious signal to the carrier in Hz.
<b>Examples</b>	<code>FETCh:SPURIOUS:SPUR1:FREQUENCY:RELATIVE</code> might return <code>3.634E+6</code> , indicating that the relative frequency of Spurious #1 is 3.634 MHz.

### **FETCh:SPURious:SPUR<x>:LIMit:ABSolute? (Query Only)**

Returns the absolute amplitude of the limit for the specified spurious signal in the Spurious measurement.

<b>Conditions</b>	Measurement views: Spurious
-------------------	-----------------------------

<b>Group</b>	Fetch commands
<b>Syntax</b>	<code>FETCh:SPURious:SPUR&lt;x&gt;:LIMit:ABSolute?</code>
<b>Arguments</b>	None
<b>Returns</b>	<NRF> Absolute amplitude of the limit for the specified spurious signal in dBm. The unit can be changed by the <a href="#">[SENSe]:POWer:UNITs</a> command.
<b>Examples</b>	<code>FETCh:SPURIOUS:SPUR1:LIMIT:ABSOLUTE?</code> might return <code>-50.0</code> , indicating that the absolute amplitude of the limit for Spurious #1 is -50 dBm.

## **FETCh:SPURious:SPUR<x>:LIMit:RELative? (Query Only)**

Returns the relative amplitude of the limit for the specified spurious signal in the Spurious measurement.

<b>Conditions</b>	Measurement views: Spurious
<b>Group</b>	Fetch commands
<b>Syntax</b>	<code>FETCh:SPURious:SPUR&lt;x&gt;:LIMit:RELative?</code>
<b>Arguments</b>	None
<b>Returns</b>	<NRF> Relative amplitude of the limit for the specified spurious signal in dB. Use the <a href="#">[SENSe]:SPURious:REference</a> command to set the power reference.
<b>Examples</b>	<code>FETCh:SPURIOUS:SPUR1:LIMIT:RELATIVE?</code> might return <code>-10.0</code> , indicating that the relative amplitude of the limit for Spurious #1 is -10 dB.

## **FETCh:SPURious:SPUR<x>:LIMit:VIOLation? (Query Only)**

Returns whether the specified spurious signal exceeds the limit or not.

<b>Conditions</b>	Measurement views: Spurious
-------------------	-----------------------------

---

<b>Group</b>	Fetch commands
<b>Syntax</b>	<code>FETCh:SPURious:SPUR&lt;x&gt;:LIMit:VIOLation?</code>
<b>Arguments</b>	None
<b>Returns</b>	0 (under the limit) or 1 (over the limit).
<b>Examples</b>	<code>FETCh:SPURIOUS:SPUR1:LIMIT:VIOLATION?</code> might return 1, indicating that Spurious #1 exceeds the limit.

### **FETCh:SPURious:SPUR<x>:RANGe? (Query Only)**

Returns the frequency range in which the specified spurious signal occurred.

<b>Conditions</b>	Measurement views: Spurious
<b>Group</b>	Fetch commands
<b>Syntax</b>	<code>FETCh:SPURious:SPUR&lt;x&gt;:RANGe?</code>
<b>Arguments</b>	None
<b>Returns</b>	<string> "A" to "T" representing Range A to T, respectively.
<b>Examples</b>	<code>FETCh:SPURIOUS:SPUR1:RANGE</code> might return "E", indicating that Spurious #1 is in Range E.

### **FETCh:SQUality:FREQuency:DEViation? (Query Only)**

Returns the frequency deviation in the signal quality measurement.

This command is valid when `[SENSe]:DDEMod:MODulation:TYPE` is set to C4FM, FSK2, FSK4, FSK8, or FSK16.

<b>Conditions</b>	Measurement views: Signal quality
-------------------	-----------------------------------

<b>Group</b>	Fetch commands
<b>Syntax</b>	FETCh:SQUality:FREQuency:DEVIation?
<b>Arguments</b>	None
<b>Returns</b>	<NRf> Frequency deviation in Hz.
<b>Examples</b>	FETCh:SQUALITY:FREQUENCY:DEVIATION? might return 12.68E+3, indicating the frequency deviation is 12.68 kHz.

## FETCh:SQUality:FREQuency:DEVIation:TABLE? (Query Only)

Returns the number of columns and the values in the frequency deviation table for a signal quality measurement.

This command is valid when [\[SENSe\]:DDEMod:MODulation:TYPE](#) is set to C4FM, FSK2, FSK4, FSK8, or FSK16.

<b>Conditions</b>	Measurement views: Signal quality
<b>Group</b>	Fetch commands
<b>Syntax</b>	FETCh:SQUality:FREQuency:DEVIation:TABLE?
<b>Arguments</b>	None
<b>Returns</b>	<Dev_Num>, {<Freq_dev_Max>, <Freq_dev_Min>, <Freq_dev_Avg>}

Where

<Dev\_Num> :: <NR1> is the number of columns in the frequency deviation table.

= 2 ( 2FSK), 4 (4FSK, C4FM), 8 (8FSK), or 16 (16FSK)

<Freq\_dev\_Max> :: <NRf> is the maximum frequency deviation in Hz.

<Freq\_dev\_Min> :: <NRf> is the minimum frequency deviation in Hz.

<Freq\_dev\_Avg> :: <NRf> is the average frequency deviation in Hz.

The dataset <Freq\_dev\_Max>, <Freq\_dev\_Min>, <Freq\_dev\_Avg> is returned for each symbol in ascending order of its level (for example, in order of symbol -3, -1, +1, and +3 for 4FSK).



**Examples** `FETCH:SQUALITY:FREQUENCY:DEVIATION:TABLE?` might return `2,1.257E+3,1.039E+3,1.162E+3,1.586E+3,1.298E+3,1.425E+3` for the frequency signal, populating the results table as follows.

Deviations	-1	+1
Maximum	1.257 kHz	1.586 kHz
Minimum	1.039 kHz	1.298 kHz
Average	1.162 kHz	1.425 kHz

## **FETCH:SQUALITY:FREQUENCY:ERROR? (Query Only)**

Returns the frequency error in the signal quality measurement.

**Conditions** Measurement views: Signal quality

**Group** Fetch commands

**Syntax** `FETCH:SQUALITY:FREQUENCY:ERROR?`

**Arguments** None

**Returns** `<NRf>` Frequency error in Hz.

**Examples** `FETCH:SQUALITY:FREQUENCY:ERROR?` might return `612.043E+3`, indicating that the frequency error is 612.043 kHz.

## **FETCh:SQUality:GAIN:IMBalance? (Query Only)**

Returns the gain imbalance in the signal quality measurement.

**Conditions** Measurement views: Signal quality

**Group** Fetch commands

**Syntax** FETCh:SQUality:GAIN:IMBalance?

**Arguments** None

**Returns** <NRF> Gain imbalance in dB.

**Examples** FETCh:SQUality:GAIN:IMBalance? might return  $-57.746E-3$ , indicating that the gain imbalance is -0.057746 dB.

## **FETCh:SQUality:ORIGin:OFFSet? (Query Only)**

Returns the origin offset in the signal quality measurement.

**Conditions** Measurement views: Signal quality

**Group** Fetch commands

**Syntax** FETCh:SQUality:ORIGin:OFFSet?

**Arguments** None

**Returns** <NRF> Origin offset in dB.

**Examples** FETCh:SQUality:ORIGin:OFFSet? might return  $-44.968$ , indicating that the origin offset is -44.968 dB.

## FETCh:SQUality:PEAK:EVM? (Query Only)

Returns the peak EVM (%) in the signal quality measurement.

<b>Conditions</b>	Measurement views: Signal quality
<b>Group</b>	Fetch commands
<b>Syntax</b>	FETCh:SQUality:PEAK:EVM?
<b>Arguments</b>	None
<b>Returns</b>	<NRf> Peak EVM in percent (%).
<b>Examples</b>	FETCh:SQUALITY:PEAK:EVM? might return 4.276, indicating that the peak EVM is 4.276%.

## FETCh:SQUality:PEAK:EVM:DB? (Query Only)

Returns the peak EVM (dB) in the signal quality measurement.

<b>Conditions</b>	Measurement views: Signal quality
<b>Group</b>	Fetch commands
<b>Syntax</b>	FETCh:SQUality:PEAK:EVM:DB?
<b>Arguments</b>	None
<b>Returns</b>	<NRf> Peak EVM in dB.
<b>Examples</b>	FETCh:SQUALITY:PEAK:EVM:DB? might return -27.358, indicating that the peak EVM is -27.358 dB.

## FETCh:SQUality:PEAK:EVM:DB:OFFSet? (Query Only)

Returns the peak offset EVM (dB) in the signal quality measurement.

This command is valid when [\[SENSe\]:DDEMod:MODulation:TYPE](#) is set to OQPSK or SOQPSK.

<b>Conditions</b>	Measurement views: Signal quality
<b>Group</b>	Fetch commands
<b>Syntax</b>	FETCh:SQUality:PEAK:EVM:DB:OFFSet?
<b>Arguments</b>	None
<b>Returns</b>	<NRf> Peak offset EVM in dB.
<b>Examples</b>	FETCh:SQUality:PEAK:EVM:DB:OFFSet? might return -37.624, indicating the peak offset EVM is -37.624 dB.

## FETCh:SQUality:PEAK:EVM:LOCation? (Query Only)

Returns the time at which the EVM is peak.

<b>Conditions</b>	Measurement views: Signal quality
<b>Group</b>	Fetch commands
<b>Syntax</b>	FETCh:SQUality:PEAK:EVM:LOCation?
<b>Arguments</b>	None
<b>Returns</b>	<NRf> The time in symbol number at which the EVM is peak. The unit can be changed by the <a href="#">[SENSe]:DDEMod:TIME:UNITs</a> command.
<b>Examples</b>	FETCh:SQUality:PEAK:EVM:LOCation? might return 68.000, indicating that the EVM is peak at symbol #68.000.

## FETCh:SQUality:PEAK:EVM:LOCation:OFFSet? (Query Only)

Returns the time at which the offset EVM is peak.

This command is valid when [\[SENSe\]:DDEMod:MODulation:TYPE](#) is set to OQPSK or SOQPSK.

<b>Conditions</b>	Measurement views: Signal quality
<b>Group</b>	Fetch commands
<b>Syntax</b>	FETCh:SQUality:PEAK:EVM:LOCation:OFFSet?
<b>Arguments</b>	None
<b>Returns</b>	<NRf> The time in symbol number at which the offset EVM is peak. The unit can be changed by the <a href="#">[SENSe]:DDEMod:TIME:UNITs</a> command.
<b>Examples</b>	FETCh:SQUALITY:PEAK:EVM:LOCATION:OFFSET? might return 123.00, indicating that the offset EVM is peak at symbol #123.

## FETCh:SQUality:PEAK:EVM:OFFSet? (Query Only)

Returns the peak offset EVM (%) in the signal quality measurement.

This command is valid when [\[SENSe\]:DDEMod:MODulation:TYPE](#) is set to OQPSK or SOQPSK.

<b>Conditions</b>	Measurement views: Signal quality
<b>Group</b>	Fetch commands
<b>Syntax</b>	FETCh:SQUality:PEAK:EVM:OFFSet?
<b>Arguments</b>	None
<b>Returns</b>	<NRf> Peak offset EVM in percent (%).

**Examples**     `FETCH:SQUALITY:PEAK:EVM:OFFSET?` might return `1.298`, indicating the peak offset EVM is 1.298%.

## **FETCH:SQUALITY:PEAK:FERROR? (Query Only)**

Returns the peak FSK error in the signal quality measurement.

This command is valid when `[SENSE]:DDEMod:MODulation:TYPE` is set to FSK2, FSK4, FSK8, or FSK16.

**Conditions**     Measurement views: Signal quality

**Group**            Fetch commands

**Syntax**           `FETCH:SQUALITY:PEAK:FERROR?`

**Arguments**       None

**Returns**           <NRF> Peak FSK error in percent (%).

**Examples**        `FETCH:SQUALITY:PEAK:FERROR?` might return `9.136`, indicating the peak FSK error is 9.136%.

## **FETCH:SQUALITY:PEAK:MERROR? (Query Only)**

Returns the peak magnitude error (%) in the signal quality measurement.

**Conditions**       Measurement views: Signal quality

**Group**            Fetch commands

**Syntax**           `FETCH:SQUALITY:PEAK:MERROR?`

**Arguments**       None

**Returns**           <NRF> Peak magnitude error in percent (%).

**Examples**    `FETCH:SQUALITY:PEAK:MERROR?` might return `3.595`, indicating that the peak magnitude error is 3.595%.

## **FETCH:SQUALITY:PEAK:MERROR:DB? (Query Only)**

Returns the peak magnitude error (dB) in the signal quality measurement.

**Conditions**    Measurement views: Signal quality

**Group**    Fetch commands

**Syntax**    `FETCH:SQUALITY:PEAK:MERROR:DB?`

**Arguments**    None

**Returns**    `<NRf>` Peak magnitude error in dB.

**Examples**    `FETCH:SQUALITY:PEAK:MERROR:DB?` might return `-28.583`, indicating that the magnitude error is -28.583 dB.

## **FETCH:SQUALITY:PEAK:MERROR:LOCATION? (Query Only)**

Returns the time at which the magnitude error is peak.

**Conditions**    Measurement views: Signal quality

**Group**    Fetch commands

**Syntax**    `FETCH:SQUALITY:PEAK:MERROR:LOCATION?`

**Arguments**    None

**Returns**    `<NRf>` The time in symbol number at which the magnitude error is peak. The unit can be changed by the `[SENSE]:DDEMod:TIME:UNITS` command.

**Examples**     `FETCH:SQUALITY:PEAK:MERROR:LOCATION?` might return `68.000`, indicating that the magnitude error is peak at symbol #68.

## **FETCH:SQUALITY:PEAK:PERRor? (Query Only)**

Returns the peak phase error in the signal quality measurement.

**Conditions**     Measurement views: Signal quality

**Group**     Fetch commands

**Syntax**     `FETCH:SQUALITY:PEAK:PERRor?`

**Arguments**     None

**Returns**     `<NRf>` Peak phase error in degrees.

**Examples**     `FETCH:SQUALITY:PEAK:PERRor?` might return `1.907`, indicating that the peak phase error is `1.907 °`.

## **FETCH:SQUALITY:PEAK:PERRor:LOCation? (Query Only)**

Returns the time at which the phase error is peak.

**Conditions**     Measurement views: Signal quality

**Group**     Fetch commands

**Syntax**     `FETCH:SQUALITY:PEAK:PERRor:LOCation?`

**Arguments**     None

**Returns**     `<NRf>` The time in symbol number at which the phase error is peak.  
The unit can be changed by the `[SENSe]:DDEMod:TIME:UNITs` command.



**Examples**    `FETCH:SQUALITY:PEAK:PEERROR:LOCATION?` might return `68.000`, indicating that the phase error is peak at symbol #68.

## **FETCH:SQUALITY:QUADRATURE:ERROR? (Query Only)**

Returns the quadrature error in the signal quality measurement.

**Conditions**    Measurement views: Signal quality

**Group**        Fetch commands

**Syntax**       `FETCH:SQUALITY:QUADRATURE:ERROR?`

**Arguments**    None

**Returns**       `<NRf>` Quadrature error in degrees.

**Examples**    `FETCH:SQUALITY:QUADRATURE:ERROR?` might return `-14.264E-3`, indicating that the quadrature error is `-0.014264°`.

## **FETCH:SQUALITY:RHO? (Query Only)**

Returns the  $\rho$  (waveform quality) value in the signal quality measurement.

**Conditions**    Measurement views: Signal quality

**Group**        Fetch commands

**Syntax**       `FETCH:SQUALITY:RHO?`

**Arguments**    None

**Returns**       `<NRf>`  $\rho$  value.

**Examples**    `FETCH:SQUALITY:RHO?` might return `998.703E-3`, indicating that  $\rho$  is `0.998703`.

## **FETCh:SQUality:RMS:EVM? (Query Only)**

Returns the RMS EVM (%) in the signal quality measurement.

**Conditions** Measurement views: Signal quality

**Group** Fetch commands

**Syntax** FETCh:SQUality:RMS:EVM?

**Arguments** None

**Returns** <NRF> RMS EVM in percent (%).

**Examples** FETCh:SQUality:RMS:EVM? might return 2.417, indicating that the RMS EVM is 2.417%.

## **FETCh:SQUality:RMS:EVM:DB? (Query Only)**

Returns the RMS EVM (dB) in the signal quality measurement.

**Conditions** Measurement views: Signal quality

**Group** Fetch commands

**Syntax** FETCh:SQUality:RMS:EVM:DB?

**Arguments** None

**Returns** <NRF> RMS EVM in dB.

**Examples** FETCh:SQUality:RMS:EVM:DB? might return -32.356, indicating that the RMS EVM is -32.356 dB.

## FETCh:SQUality:RMS:EVM:DB:OFFSet? (Query Only)

Returns the RMS offset EVM (dB) in the signal quality measurement.

This command is valid when [SENSe]:DDEMod:MODulation:TYPE is set to OQPSK or SOQPSK.

<b>Conditions</b>	Measurement views: Signal quality
<b>Group</b>	Fetch commands
<b>Syntax</b>	FETCh:SQUality:RMS:EVM:DB:OFFSet?
<b>Arguments</b>	None
<b>Returns</b>	<NRf> RMS offset EVM in dB.
<b>Examples</b>	FETCh:SQUality:RMS:EVM:DB:OFFSet? might return -41.276, indicating the RMS offset EVM is -41.276 dB.

## FETCh:SQUality:RMS:EVM:OFFSet? (Query Only)

Returns the RMS offset EVM (%) in the signal quality measurement.

This command is valid when [SENSe]:DDEMod:MODulation:TYPE is set to OQPSK or SOQPSK.

<b>Conditions</b>	Measurement views: Signal quality
<b>Group</b>	Fetch commands
<b>Syntax</b>	FETCh:SQUality:RMS:EVM:OFFSet?
<b>Arguments</b>	None
<b>Returns</b>	<NRf> RMS offset EVM in percent (%).

**Examples**     `FETCH:QUALITY:RMS:EVM:OFFSET?` might return 0.783, indicating the RMS offset EVM is 0.783%.

## **FETCH:SQuality:RMS:FERRor? (Query Only)**

Returns the RMS FSK error percent in the signal quality measurement.

This command is valid when `[SENSe]:DDEMod:MODulation:TYPE` is set to FSK2, FSK4, FSK8, or FSK16.

**Conditions**     Measurement views: Signal quality

**Group**            Fetch commands

**Syntax**          `FETCH:SQuality:RMS:FERRor?`

**Arguments**      None

**Returns**          <NRF> RMS FSK error in percent (%).

**Examples**     `FETCH:QUALITY:RMS:FERROR?` might return 1.815, indicating the RMS FSK error is 1.815%.

## **FETCH:SQuality:RMS:MER:DB? (Query Only)**

Returns the RMS MER (Modulation Error Ratio) in dB in the signal quality measurement.

**Conditions**     Measurement views: Signal quality

**Group**            Fetch commands

**Syntax**          `FETCH:SQuality:RMS:MER:DB?`

**Arguments**      None

**Returns**          <NRF> RMS MER in dB.

**Examples**     `FETCH:SQUALITY:RMS:MERRor:DB?` might return `27.394`, indicating that the RMS MER is 27.394 dB.

## **FETCH:SQUALity:RMS:MERRor? (Query Only)**

Returns the RMS magnitude error (%) in the signal quality measurement.

**Conditions**     Measurement views: Signal quality

**Group**         Fetch commands

**Syntax**        `FETCH:SQUALity:RMS:MERRor?`

**Arguments**     None

**Returns**        `<NRf>` RMS magnitude error in percent (%).

**Examples**     `FETCH:SQUALITY:RMS:MERROR?` might return `1.837`, indicating that the RMS magnitude error is 1.837%.

## **FETCH:SQUALity:RMS:MERRor:DB? (Query Only)**

Returns the RMS magnitude error (dB) in the signal quality measurement.

**Conditions**     Measurement views: Signal quality

**Group**         Fetch commands

**Syntax**        `FETCH:SQUALity:RMS:MERRor:DB?`

**Arguments**     None

**Returns**        `<NRf>` RMS MERRor in dB.

**Examples**     `FETCH:SQUALITY:RMS:MERROR:DB?` might return `-34.706`, indicating that the magnitude error is -34.706 dB.

## **FETCh:SQUality:RMS:PERRor? (Query Only)**

Returns the RMS phase error in the signal quality measurement.

**Conditions** Measurement views: Signal quality

**Group** Fetch commands

**Syntax** FETCh:SQUality:RMS:PERRor?

**Arguments** None

**Returns** <NRf> RMS phase error in degrees.

**Examples** FETCh:SQUality:RMS:PERRor? might return 893.472E-3, indicating that the RMS phase error is 0.893472 °.

## **FETCh:SQUality:SYMBol:LENGth? (Query Only)**

Returns the number of analyzed symbols.

**Group** Fetch commands

**Syntax** FETCh:SQUality:SYMBol:LENGth?

### **Related Commands**

**Returns** <NR1> indicates the length of the synch word in symbols.

**Examples** FETCh:SQUality:SYMBol:LENGth? might return 3, indicating the length is three symbols.

## **FETCh:SQUality:SYMBol:RATE? (Query Only)**

Returns the value of the calculated symbol rate in Hz.

**Conditions** Measurement views: Signal quality

It is valid when the modulation type is 2|4|8|16FSK and [:SENSe]:DDEMod:SYMBOL:RATE:SEARCH is ON.

**Group** Fetch commands

**Syntax** FETCH:SQUALITY:SYMBOL:RATE?

**Related Commands** [\[SENSe\]:DDEMod:SYMBOL:RATE:SEARCH](#)

**Returns** <NRf> is the calculated symbol rate in Hz.

**Examples** FETCH:SQUALITY:SYMBOL:RATE? might return 95.24E+3, indicating the calculated symbol rate is 95.24 kHz.

## FETCH:SQUALITY:SYMBOL:RATE:ERROR? (Query Only)

Returns the value of the symbol rate error in percent (%).

**Conditions** Measurement views: Signal quality

It is valid when the modulation type is 2|4|8|16FSK and [:SENSe]:DDEMod:SYMBOL:RATE:SEARCH is ON.

**Group** Fetch commands

**Syntax** FETCH:SQUALITY:SYMBOL:RATE:ERROR?

**Related Commands** [\[SENSe\]:DDEMod:SYMBOL:RATE:SEARCH](#)

**Returns** <NRf> is the symbol error percent (%).

**Examples** FETCH:SQUALITY:SYMBOL:RATE:ERROR? might return -0.002, indicating that the symbol rate error is -0.002%.

## FETCh:TDIagram:FERRor? (Query Only)

Returns the frequency error in the trellis diagram measurement.

**Conditions** Measurement views: Trellis diagram

**Group** Fetch commands

**Syntax** FETCh:TDIagram:FERRor?

**Arguments** None

**Returns** <freq\_error> :: <Nrf> is the frequency error in Hz.

**Examples** FETCh:TDIAGRAM:FERROR? might return -10.7E+3, indicating the frequency error is -10.7 kHz.

## FETCh:TDIagram:TRACe? (Query Only)

Returns the Trellis diagram trace data.

**Conditions** Measurement views: Trellis diagram

**Group** Fetch commands

**Syntax** FETCh:TDIagram:TRACe?

**Arguments** None

**Returns** #<num\_digit><num\_byte><Y(1)><X(1)><Y(2)><X(2)> . . . <Y(n)><X(n)>

Where

<num\_digit> is the number of digits in <num\_byte>.

<num\_byte> is the number of bytes of data that follow.

<Y(n)><X(n)> is the phase in degrees and the time in symbols pair at the n<sup>th</sup> data point. The 4-byte little endian floating-point format specified in IEEE 488.2.



**Examples**    `FETCH:TDIAGRAM:TRACE?` might return `#3160xxxx...` (160-byte data) for the Trellis diagram trace.

## **FETCH:TOVerview? (Query Only)**

Returns the trace data in the time overview.

**Conditions**    Measurement views: Time overview

**Group**        Fetch commands

**Syntax**       `FETCH:TOVerview?`

**Arguments**    None

**Returns**       `#<num_digit><num_byte><data(1)><data(2)>...<data(n)>`

Where

`<num_digit>` is the number of digits in `<num_byte>`.

`<num_byte>` is the number of bytes of data that follow.

`<data(n)>` is the amplitude in dBm at the  $n^{\text{th}}$  data point, 4-byte little endian floating-point format specified in IEEE 488.2.

The unit can be changed by the [\[SENSe\]:POWer:UNITs](#) command.

**Examples**    `FETCH:TOVERVIEW?` might return `#43204xxxx...` (3204-byte data) for the trace in the time overview.

## **\*IDN? (Query Only)**

Returns the analyzer identification code.

**Conditions**    Measurement views: All

**Group**        IEEE common commands

**Syntax**       `*IDN?`

**Arguments**    None

**Returns** The analyzer identification code in the following format  
 TEKTRONIX, RSA61XXA, <serial\_number>, <firmware\_version>

Where  
 TEKTRONIX indicates that the manufacturer is Tektronix.  
 RSA61XXA is the model number (RSA6106A or RSA6114A).  
 <serial\_number> is the serial number.  
 <firmware\_version> is the firmware version.

**Examples** \*IDN? might return the response  
 TEKTRONIX, RSA6114A, B000111, FV1.0.1500.

## INITiate:CONTInuous

Determines whether to place the analyzer in the single or the continuous acquisition mode.

**Conditions** Measurement views: All

**Group** Initiate commands

**Syntax** INITiate:CONTInuous { OFF | ON | 0 | 1 }  
 INITiate:CONTInuous?

**Related Commands** [INITiate:RESumeINITiate\[:IMMEDIATE\]](#)

**Arguments** OFF or 0 places the analyzer in the single acquisition mode. To initiate the acquisition, use the INITiate[:IMMEDIATE] command. To stop acquisition when a trigger is not present, and to avoid a 2.7 hour time-out, send the free-run trigger command, TRIGger:SEQuence:STATus 0. Then, send the command INITiate:CONTInuous OFF. This sequence ensures a minimal delay before the INIT:CONT OFF command completes.

ON or 1 places the analyzer in the continuous acquisition mode. To initiate the acquisition, use the INITiate[:IMMEDIATE] command. To stop the acquisition in the continuous mode, send the following command: INITiate:CONTInuous OFF

**Examples** INITIATE:CONTINUOUS ON places the analyzer in the continuous acquisition mode.

## INITiate[:IMMediate] (No Query Form)

Starts input signal acquisition.

---

**NOTE.** *It is an overlapped command, which does not finish executing before the next command starts executing. Use the \*OPC(?) and \*WAI commands to synchronize all pending operations to the execution of this command.*

---

<b>Conditions</b>	Measurement views: All
<b>Group</b>	Initiate commands
<b>Syntax</b>	INITiate[:IMMediate]
<b>Related Commands</b>	*OPC, *TRG, *WAI, INITiate:CONTinuous
<b>Arguments</b>	None
<b>Examples</b>	INITIATE:IMMEDIATE starts input signal acquisition.

## INITiate:RESume (No Query Form)

Restarts signal processing.

Resume is only applicable when FastFrame is enabled, and when the instrument is stopped while analyzing the frames. When the instrument is stopped, measurements will finish processing and the system might stop before all of the frames of an acquisition are processed (when acquisition is stopped, the system stops as soon as all measurements say they are finished processing the current acquisition). However, the instrument saves all of the frames to the Acquisition History (Data Cache), and when INITiate:RESume is sent, it will begin processing at the first frame of the last acquisition that was not processed (the one after the last frame processed), and process all of these remaining frames before starting a new acquisition. If INITiate is sent instead, any remaining frames are discarded and a new acquisition is started immediately. If FastFrame is off, or there are no remainder frames, or the acquisition was aborted rather than stopped, then INITiate:RESume and INITiate are the same.

<b>Conditions</b>	Measurement views: All
	FastFrame enabled

<b>Group</b>	Initiate commands
<b>Syntax</b>	INITiate:RESume
<b>Related Commands</b>	*OPC, *TRG, *WAI, INITiate:CONTinuousINITiate[:IMMediate]
<b>Arguments</b>	None
<b>Examples</b>	INITIATE:RESUME restarts input signal acquisition.

## INPut:CORRection:EXTernal:EDIT<x>:INTerpolation

Sets or queries the interpolation setting to use with the indicated external gain table.

<b>Conditions</b>	Measurement views: All
<b>Group</b>	Input commands
<b>Syntax</b>	INPut:CORRection:EXTernal:EDIT<x>:INTerpolation { LINEar   LOGarithmic } INPut:CORRection:EXTernal:EDIT<x>:INTerpolation
<b>Related Commands</b>	INPut:CORRection:EXTernal:EDIT<x>:NEW
<b>Arguments</b>	LINEar select when the frequency scale of the spectrum or spurious measurements are linear.  LOGarithmic select when the frequency scale of the spectrum is logarithmic.
<b>Examples</b>	INPut:CORRection:EXTernal:EDIT1:INTerpolation LINEar uses linear interpolation when applying External correction Table one (1) to the chosen waveforms.

## INPut:CORRection:EXTErnal:EDIT<x>:NEW

Creates the indicated (x) external loss table from a series of frequency and gain value pairs.

**Conditions** Measurement views: All

**Group** Input commands

**Syntax** INPut:CORRection:EXTErnal:EDIT<x>:NEW  
<freq(1)>,<gain(1)>,<freq(2)>,<gain(2)>,...,<freq(n)>,<gain(n)>  
INPut:CORRection:EXTErnal:EDIT<x>:NEW?

**Related Commands** [INPut:CORRection:EXTErnal:TYPE](#)

**Arguments** <freq(n)>,<gain(n)> specifies a pair of frequency (<NR3> in Hz) and gain (+ | -<NR3> in dB) in the external correction table.

---

**NOTE.** Do not include a unit suffix (such as Hz, dBm, or dB) with the arguments for this command.

---

The setting range is:  
Frequency: 0 to 6.2 GHz for the RSA6106A) and 0 to 14 GHz for the RSA6114A.  
Loss: -50 to +30 dB. Negative values indicate loss and positive values indicate gain. Resolution is 0.1 dB.

**Examples** INPut:CORRection:EXTErnal:EDIT?:NEW 1.0E+9,-2.2,  
-1.5E+9,-2.3 creates the External correction Table specifying a loss of 2.2 dB at 1 GHz and a loss of 2.3 dB at 1.5 GHz.

## INPut:CORRection:EXTErnal:TYPE

Sets or queries the data type to use when applying the external loss table corrections.

**Conditions** Measurement views: All

**Group** Input commands

**Syntax**     `INPut:CORRection:EXTErnal:TYPE { TRACE | DATA }`  
`INPut:CORRection:EXTErnal:TYPE`

**Related Commands**     [INPut:CORRection:EXTErnal:EDIT<x>:NEW](#)

**Arguments**     TRACE selects traces in the Spectrum, Spectrogram, Spurious, and Amplitude versus Time views. Selecting TRACE disables the CALibration:CORRection:EXTErnal:GAIN:STATE command.

DATA selects all acquired data. Selecting DATA enables the CALibration:CORRection:EXTErnal:GAIN:STATE command.

**Examples**     `INPUT:CORRECTION:EXTERNAL:TYPETRACE` selects traces to apply the external loss table corrections.

## INPut:{MLEVe|RLEVe}

Sets or queries the reference level.

**Conditions**     Measurement views: All

**Group**     Input commands

**Syntax**     `INPut:{MLEVe|RLEVe} <value>`  
`INPut:{MLEVe|RLEVe}?`

**Arguments**     `<value> :: <nrf>` specifies the reference level. Range: -170 to +50 dBm.

**Examples**     `INPUT:RLEVEL -10` sets the reference level to -10 dBm.

## INPut[:RF]:ATTenuation

Sets or queries the input attenuation. Programming a specified attenuation sets `INPut[:RF]:ATTenuation:AUTO OFF`.

**Conditions**     Measurement views: All

**Group**     Input commands

**Syntax**    `INPut[:RF]:ATTenuation <value>`  
`INPut[:RF]:ATTenuation?`

**Related Commands**    [INPut\[:RF\]:ATTenuation:AUTO](#)

**Arguments**    `<value> :: <NR1>` specifies the input attenuation.  
 Range: 0 to 75 dB in 5 dB steps.

**Examples**    `INPUT:RF:ATTENUATION 20` sets the input attenuation to 20 dB.

## INPut[:RF]:ATTenuation:AUTO

Determines whether to set the input attenuation automatically or manually.

**Conditions**    Measurement views: All

**Group**    Input commands

**Syntax**    `INPut[:RF]:ATTenuation:AUTO { OFF | ON | 0 | 1 }`  
`INPut[:RF]:ATTenuation:AUTO?`

**Arguments**    `OFF` or `0` specifies that the input attenuation is set manually.  
 To set it, use the [INPut\[:RF\]:ATTenuation](#) command.

`ON` or `1` specifies that the input attenuation is set automatically according to the reference level.

**Examples**    `INPUT:RF:ATTENUATION:AUTO ON` specifies that the input attenuation is set automatically.

## INPut[:RF]:ATTenuation:MONitor:STATe

Determines whether to enable or disable to monitor attenuator use.

**Conditions**    Measurement views: All

**Group**    Input commands

**Syntax** INPut[:RF]:ATTenuation:MONitor:STATE { OFF | ON | 0 | 1 }  
 INPut[:RF]:ATTenuation:MONitor:STATE?

**Arguments** OFF or 0 disables to monitor attenuator use.  
 ON or 1 enables to monitor attenuator use.

**Examples** INPUT:RF:ATTENUATION:MONITOR:STATE ON enables to monitor attenuator use.

## INPut[:RF]:GAIN:STATE

Determines whether to enable or disable the internal pre-amp.

**Conditions** Measurement views: All (Option 01 only)

**Group** Input commands

**Syntax** INPut[:RF]:GAIN:STATE { OFF | ON | 0 | 1 }  
 INPut[:RF]:GAIN:STATE?

**Arguments** OFF or 0 disables the internal pre-amp.  
 ON or 1 enables the internal pre-amp.

**Examples** INPUT:RF:GAIN:STATE ON enables the internal pre-amp.

## MMEMemory:{AM|FM|PM}:LOAD:TRACe (No Query Form)

Loads the AM/FM/PM measurement trace data from the specified file.

**Conditions** Measurement views: AM, FM, PM

**Group** Mass memory commands

**Syntax** MMEMemory:{AM|FM|PM}:LOAD:TRACe <file\_name>



**Arguments** <file\_name> :: <string> specifies the file from which to load trace data. The file extension is .AmVsTime (AM), .FmVsTime (FM), or .PmVsTime (PM). You can omit the extension.

**Examples** `MMEMORY:AM:LOAD:TRACE "Sample1"` loads the trace data from the *Sample1.AmVsTime* file in the AM measurement.

## MMEMory:{AM|FM|PM}:SHOW:TRACe<x>

Enables display of a recalled trace file in Trace<x>. The result is the same as selecting “Show recalled trace” in the Recall traces dialog box or selecting Show in the Trace Overview display.

**Conditions** Measurement views: AM, FM, PM

**Group** Mass memory commands

**Syntax** `MMEMory:{AM|FM|PM}:SHOW:TRACe<x> { OFF | ON | 0 | 1 }`  
`MMEMory:{AM|FM|PM}:SHOW:TRACe<x>?`

**Related Commands** [MMEMory:{AM|FM|PM}:LOAD:TRACe](#)

**Arguments** OFF or 0 disables display of the recalled trace.  
 ON or 1 enables display of the recalled trace.

**Examples** `MMEMory:FM:SHOW:TRACe2 ON` enables display of the recalled data loaded in Trace2.

## MMEMory:{AM|FM|PM}:STORE:TRACe (No Query Form)

Stores the AM/FM/PM measurement trace data in the specified file.

**Conditions** Measurement views: AM, FM, PM

**Group** Mass memory commands

**Syntax** `MMEMory:{AM|FM|PM}:STORE:TRACe <file_name>`

**Arguments** <file\_name> ::= <string> specifies the file from which to load trace data. The file extension is .AmVsTime (AM), .FmVsTime (FM), or .PmVsTime (PM). You can omit the extension.

**Examples** MMEMORY:AM:STORE:TRACE "Sample1" stores the trace data in the *Sample1.AmVsTime* file in the AM measurement.

## MMEMory:AUDio:LOAD:FILTer (No Query Form)

Loads a user-defined audio filter from the specified file.

**Conditions** Measurement views: Audio Spectrum

**Group** Mass memory commands

**Syntax** MMEMory:AUDio:LOAD:FILTer <file\_name>

**Related Commands** [\[SENSe\]:AUDio:FILTer:SOURce?](#)

**Arguments** <file\_name> ::= <string> specifies the filter file to load.

**Examples** MMEMORY:AUDIO:LOAD:FILTER "filter4" loads the user-defined filter4 file for the measurement.

## MMEMory:AVTime:LOAD:TRACe<x> (No Query Form)

Loads the Amplitude versus Time trace data from the specified file.

The parameter <x> = 1 to 3; Trace 4 (math trace) is invalid.

**Conditions** Measurement views: Amplitude versus Time

**Group** Mass memory commands

**Syntax** MMEMory:AVTime:LOAD:TRACe<x> <file\_name>

**Arguments** <file\_name> :: <string> specifies the file from which to load trace data. The file extension is .AmplVsTime. You can omit the extension.

**Examples** MMEORY:AVTIME:LOAD:TRACE1 "Sample1" loads Trace 1 data from the *Sample1.AmplVsTime* file.

## MMEORY:AVTime:SHOW:TRACe<x>

Enables display of a recalled trace file in Trace<x>. The result is the same as selecting “Show recalled trace” in the Recall traces dialog box or selecting Show in the Trace Overview display.

**Conditions** Measurement views: Amplitude versus Time

**Group** Mass memory commands

**Syntax** MMEORY:AVTime:SHOW:TRACe<x> { OFF | ON | 0 | 1 }  
MMEORY:AVTime:SHOW:TRACe<x>?

**Related Commands** [MMEORY:AVTime:LOAD:TRACe<x>](#)

**Arguments** OFF or 0 disables display of the recalled trace.  
ON or 1 enables display of the recalled trace.

**Examples** MMEORY:AVTime:SHOW:TRACe2 ON enables display of the recalled data loaded in Trace2.

## MMEORY:AVTime:STORE:TRACe<x> (No Query Form)

Stores the Amplitude versus Time trace data in the specified file.  
The parameter <x> = 1 to 4; All traces are valid.

**Conditions** Measurement views: Amplitude versus Time

**Group** Mass memory commands

**Syntax** MMEORY:AVTime:STORE:TRACe<x> <file\_name>

**Arguments** <file\_name> :: <string> specifies the file in which to store trace data. The file extension is .AmplVsTime. You can omit the extension.

**Examples** MMEMORY:AVTIME:STORE:TRACE1 "Sample1" stores Trace 1 data in the *Sample1.AmplVsTime* file.

## MMEMory:CALibration:LOAD:CORRection:EXTErnal:EDIT<x> (No Query Form)

Loads the external loss table from a specified file.

The parameter <x> = 1 to 3 represent External Loss Table 1 to 3, respectively.

**Conditions** Measurement views: All

**Group** Mass memory commands

**Syntax** MMEMory:CALibration:LOAD:CORRection:EXTErnal:EDIT<x>  
<file\_name>

**Arguments** <file\_name> :: <string> specifies the file to load the external loss table from. The file extension is .csv. You can omit the extension.

**Examples** MMEMORY:CALIBRATION:LOAD:CORRECTION:EXTERNAL:EDIT1 "Table1" loads the External Loss Table 1 from the *Table1.csv* file.

## MMEMory:CALibration:STORe:CORRection:EXTErnal:EDIT<x> (No Query Form)

Stores the external loss table to a specified file.

The parameter <x> = 1 to 3 represent External Loss Table 1 to 3, respectively.

**Conditions** Measurement views: All

**Group** Mass memory commands

**Syntax** MMEMory:CALibration:STORe:CORRection:EXTErnal:EDIT<x>  
<file\_name>

**Arguments** `<file_name> :: <string>` specifies the file to store the external loss table to. The file extension is `.csv`. You can omit the extension.

**Examples** `MMEMORY:CALIBRATION:STORE:CORRECTION:EXTERNAL:EDIT1 "Table1"` stores the External Loss Table 1 to the `Table1.csv` file.

## MMEMory:CCDF:LOAD:TRACe<x> (No Query Form)

Loads the CCDF trace data from the specified file.

**Conditions** Measurement views: CCDF

**Group** Mass memory commands

**Syntax** `MMEMory:CCDF:LOAD:TRACe<x> <file_name>`

**Arguments** `<file_name> :: <string>` specifies the file from which to load trace data. The file extension is `.CCDF`. You can omit the extension.

**Examples** `MMEMORY:CCDF:LOAD:TRACE1 "Sample1"` loads Trace 1 data from the `Sample1.CCDF` file.

## MMEMory:CCDF:SHOW:TRACe<x>

Enables display of a recalled trace file in `Trace<x>`. The result is the same as selecting “Show recalled trace” in the Recall traces dialog box or selecting Show in the Trace Overview display.

**Conditions** Measurement views: CCDF

**Group** Mass memory commands

**Syntax** `MMEMory:CCDF:SHOW:TRACe<x> { OFF | ON | 0 | 1 }`  
`MMEMory:CCDF:SHOW:TRACe<x>?`

**Related Commands** [MMEMory:CCDF:LOAD:TRACe<x>](#)

**Arguments** OFF or 0 disables display of the recalled trace.  
ON or 1 enables display of the recalled trace.

**Examples** `MMEmory:CCDF:SHOW:TRACe2 ON` enables display of the recalled data loaded in Trace2.

## MMEmory:CCDF:STORE:TRACe<x> (No Query Form)

Stores the CCDF trace data in the specified file.

**Conditions** Measurement views: CCDF

**Group** Mass memory commands

**Syntax** `MMEmory:CCDF:STORE:TRACe<x> <file_name>`

**Arguments** `<file_name> :: <string>` specifies the file in which to store trace data. The file extension is `.CCDF`. You can omit the extension.

**Examples** `MMEmory:CCDF:STORE:TRACe1 "Sample1"` stores Trace 1 data in the *Sample1.CCDF* file.

## MMEmory:DDEMod:LOAD:FILTer:MEASurement:UOTHer (No Query Form)

Loads a user-defined measurement filter from the specified file.

**Group** Mass memory commands

**Syntax** `MMEmory:DDEMod:LOAD:FILTer:MEASurement:UOTHer <file_name>`

**Related Commands** [\[SENSe\]:DDEMod:FILTer:REference](#)  
[\[SENSe\]:DDEMod:FILTer:MEASurement](#)

**Arguments** `<file_name> :: <string>` specifies the filter file to load.

**Examples** `MMEMory:DDEMod:LOAD:FILTer:MEASurement:UOTHer "Table2"` loads User other filter from the file Table2.csv.

## MMEMory:DDEMod:LOAD:FILTer:MEASurement:USER<x> (No Query Form)

Loads the user-defined measurement filter from the specified file. The parameter <x> specifies one of the User Meas Filters, 1 to 3. The filter file must have a .csv file extension, though you may omit the file extension in the command line.

**Group** Mass memory commands

**Syntax** `MMEMory:DDEMod:LOAD:FILTer:MEASurement:USER<x> <file_name>`

**Related Commands** [\[SENSe\]:DDEMod:FILTer:REFerence](#)  
[\[SENSe\]:DDEMod:FILTer:MEASurement](#)

**Arguments** `<file_name> :: <string>` specifies the filter file to load.

**Examples** `MMEMory:DDEMod:LOAD:FILTer:MEASurement:USER1 "Table1"` loads User Meas Filter 1 from the file Table1.csv.

## MMEMory:DDEMod:LOAD:FILTer:REFerence:UOTHer (No Query Form)

Loads the specified user-defined reference filter, UOTHer, from a specified file.

**Group** Mass memory commands

**Syntax** `MMEMory:DDEMod:LOAD:FILTer:REFerence:UOTHer <file_name>`

**Related Commands** [\[SENSe\]:DDEMod:FILTer:REFerence](#)  
[\[SENSe\]:DDEMod:FILTer:MEASurement](#)

**Arguments** `<file_name> :: <string>` specifies the reference filter file to load. The file extension is type .csv.

**Examples** `MMEMory:DDEMOD:LOAD:FILTer:REFERENCE:UOTHer "FinalFilt"` loads the filter file FinalFilt.csv into the filter reference UOTHer.

## MMEMory:DDEMod:LOAD:FILTer:REFerence:USER<x> (No Query Form)

Loads the specified user-defined reference filter, USER1 | 2 | 3 from a specified file.

**Group** Mass memory commands

**Syntax** MMEMory:DDEMod:LOAD:FILTer:REFerence:USER<x> <file\_name>

**Related Commands** [\[SENSe\]:DDEMod:FILTer:REFerence](#)

**Arguments** <file\_name> :: <string>specifies the reference filter file to load. The file extension is type .csv.

**Examples** MMEMory:DDEMod:LOAD:FILTer:REFerence:USER2 "DUTfil t2" loads the filter file DUTfilt2.csv into the filter reference USER2.

## MMEMory:DDEMod:LOAD:SYMBol:MAP (No Query Form)

Loads the specified symbol map filename. The setting correlates to the field, User Symbol Map (per Modulation Type) on the Advanced Params tab in the Digital Modulation settings.

**Group** Mass memory commands

**Syntax** MMEMory:DDEMod:LOAD:SYMBol:MAP <file\_name>

**Related Commands** [\[SENSe\]:DDEMod:MODulation:TYPE](#)

**Arguments** <file\_name> :: <string>specifies the symbol map file to load. The file extension is type .txt.

**Examples** MMEMory:DDEMod:LOAD:SYMBol:MAP "C:\usymmap.txt" identifies the file to load for the symbol map.

## MMEMory:DPX:LOAD:TRACe<x> (No Query Form)

Loads the DPX spectrum trace data from the specified file.



The parameter <x> = 1, 2, 3, or 5; TRACe4 (math trace) is invalid.

<b>Conditions</b>	Measurement views: DPX spectrum
<b>Group</b>	Mass memory commands
<b>Syntax</b>	MMEMory:DPX:LOAD:TRACe<x> <file_name>
<b>Arguments</b>	<file_name> :: <string> specifies the file from which to load trace data. The file extension is .dpt. You can omit the extension.
<b>Examples</b>	MMEMORY:DPX:LOAD:TRACE1 "Sample1" loads Trace 1 data from the <i>Sample1.dpt</i> file.

## MMEMory:DPX:SHOW:TRACe<x>

Enables display of a recalled trace file in Trace<x>. The result is the same as selecting “Show recalled trace” in the Recall traces dialog box or selecting Show in the Trace Overview display.

<b>Conditions</b>	Measurement views: DPX spectrum
<b>Group</b>	Mass memory commands
<b>Syntax</b>	MMEMory:DPX:SHOW:TRACe<x> { OFF   ON   0   1 } MMEMory:DPX:SHOW:TRACe<x>?
<b>Related Commands</b>	<a href="#">MMEMory:DPX:LOAD:TRACe&lt;x&gt;</a>
<b>Arguments</b>	OFF or 0 disables display of the recalled trace. ON or 1 enables display of the recalled trace.
<b>Examples</b>	MMEMORY:DPX:SHOW:TRACE2 ON enables display of the recalled data loaded in Trace2.

**MMEMory:DPX:STORe:TRACe<x>**

Stores the DPX spectrum trace data in the specified file.

The parameter <x> = 1 to 5; All traces are valid.

<b>Conditions</b>	Measurement views: DPX spectrum
<b>Group</b>	Mass memory commands
<b>Syntax</b>	MMEMory:DPX:STORe:TRACe<x> <file_name>
<b>Arguments</b>	<file_name> :: <string> specifies the file in which to store trace data. The file extension is .dpt. You can omit the extension.
<b>Examples</b>	MMEMORY:DPX:STORE:TRACE1 "Sample1" stores Trace 1 data in the <i>Sample1.dpt</i> file.

**[MMEMory:{FSETtling|PSETtling}:LOAD:TRACe<x>**

Loads the Frequency or Phase Settling Time trace data from the specified file. The parameter <x> = 1 or 2; only Trace1 and Trace2 are used for settling time measurements.

<b>Conditions</b>	Measurement views: Frequency or Phase Settling
<b>Group</b>	Mass memory commands
<b>Syntax</b>	[MMEMory:{FSETtling PSETtling}:LOAD:TRACe<x> <file_name>
<b>Arguments</b>	<file_name> :: <string> specifies the file from which to load trace data.
<b>Examples</b>	MMEMORY:PSETTLING:LOAD:TRACE1 "Wfm1" loads Trace1 data from the <i>Wfm1</i> file.

**[MMEMory:{FSETtling|PSETtling}:SHOW:TRACe<x>**

Enables display of a recalled Frequency or Phase Settling trace file in Trace<x>. The result is the same as selecting “Show recalled trace” in the Trace control panel.

**Conditions** Measurement views: Frequency and Phase Settling

**Group** Mass memory commands

**Syntax** [MMEMory:{FSETtling|PSETtling}:SHOW:TRACe<x> { OFF | ON |  
0 | 1 }  
[MMEMory:{FSETtling|PSETtling}:SHOW:TRACe<x>?

**Related Commands** [\[MMEMory:{FSETtling|PSETtling}:LOAD:TRACe<x>](#)

**Arguments** OFF or 0 disables display of the recalled trace.  
ON or 1 enables display of the recalled trace.

**Examples** MMEMory:PSETTLING:SHOW:TRACe1 ON enables display of the recalled data loaded in Trace1.

**[MMEMory:{FSETtling|PSETtling}:STORE:TRACe<x>**

Stores the Frequency or Phase Settling trace data in the specified file. The parameter <x> = 1 or 2; only Trace1 and Trace2 are used for Frequency and Phase Settling.

**Conditions** Measurement views: Phase noise

**Group** Mass memory commands

**Syntax** [MMEMory:{FSETtling|PSETtling}:STORE:TRACe<x> <file\_name>

**Arguments** <file\_name> :: <string> specifies the file in which to store trace data.

**Examples** MMEMORY:PNOISE:STORE:TRACE1 "TRACE1" stores Trace 1 data in the TRACE1 file.

## MMEMory:FVTime:LOAD:TRACe (No Query Form)

Loads the Frequency versus Time trace data from the specified file.

**Conditions** Measurement views: Frequency versus Time

**Group** Mass memory commands

**Syntax** MMEMory:FVTime:LOAD:TRACe <file\_name>

**Arguments** <file\_name> :: <string> specifies the file from which to load trace data. The file extension is .FreqVsTime. You can omit the extension.

**Examples** MMEMORY:FVTIME:LOAD:TRACE"Sample1" loads the Frequency versus Time trace data from the *Sample1.FreqVsTime* file.

## MMEMory:FVTIME:SHOW:TRACe<x>

Enables display of a recalled trace file in Trace<x>. The result is the same as selecting "Show recalled trace" in the Recall traces dialog box or selecting Show in the Trace Overview display.

**Conditions** Measurement views: Frequency versus Time

**Group** Mass memory commands

**Syntax** MMEMory:FVTIME:SHOW:TRACe<x> { OFF | ON | 0 | 1 }  
MMEMory:FVTIME:SHOW:TRACe<x>?

**Related Commands** [MMEMory:FVTime:LOAD:TRACe](#)

**Arguments** OFF or 0 disables display of the recalled trace.  
ON or 1 enables display of the recalled trace.

**Examples** MMEMORY:FVTIME:SHOW:TRACE2 ON enables display of the recalled data loaded in Trace2.

## MMEMory:FVTime:STORE:TRACe (No Query Form)

Stores the Frequency versus Time trace data in the specified file.

**Conditions** Measurement views: Frequency versus Time

**Group** Mass memory commands

**Syntax** MMEMory:FVTime:STORE:TRACe <file\_name>

**Arguments** <file\_name> :: <string> specifies the file in which to store trace data. The file extension is .FreqVsTime. You can omit the extension.

**Examples** MMEMORY:FVTIME:STORE:TRACE"Sample1" stores the Frequency versus Time trace data in the *Sample1.FreqVsTime* file.

## MMEMory:IQVTime:LOAD:TRACe:I (No Query Form)

Loads I trace data from the specified file.

**Conditions** Measurement views: RF I&Q versus Time

**Group** Mass memory commands

**Syntax** MMEMory:IQVTime:LOAD:TRACe:I <file\_name>

**Arguments** <file\_name> :: <string> specifies the file from which to load trace data. The file extension is .RFIQVsTime. You can omit the extension.

**Examples** MMEMORY:IQVTIME:LOAD:TRACE:I"Sample1" loads the I trace data from the *Sample1.RFIQVsTime* file.

## MMEMory:IQVTime:LOAD:TRACe:Q (No Query Form)

Loads Q trace data from the specified file.

**Conditions** Measurement views: RF I&Q versus Time

<b>Group</b>	Mass memory commands
<b>Syntax</b>	<code>MMEmory:IQVTime:LOAD:TRACe:Q &lt;file_name&gt;</code>
<b>Arguments</b>	<code>&lt;file_name&gt;</code> :: <code>&lt;string&gt;</code> specifies the file from which to load trace data. The file extension is <code>.RFIQVsTime</code> . You can omit the extension.
<b>Examples</b>	<code>MMEmory:IQVTime:LOAD:TRACe:Q"Sample2"</code> loads the I trace data from the <code>Sample2.RFIQVsTime</code> file.

## MMEmory:IQVTime:SHOW:TRACe:I

Enables display of a recalled trace file in Trace. The result is the same as selecting “Show recalled trace” in the Recall traces dialog box or selecting Show in the Trace Overview display.

<b>Conditions</b>	Measurement views: RF I&Q versus Time
<b>Group</b>	Mass memory commands
<b>Syntax</b>	<code>MMEmory:IQVTime:SHOW:TRACe:I { OFF   ON   0   1 }</code> <code>MMEmory:IQVTime:SHOW:TRACe:I?</code>
<b>Related Commands</b>	<a href="#">MMEmory:IQVTime:LOAD:TRACe:I</a>
<b>Arguments</b>	OFF or 0 disables display of the recalled trace. ON or 1 enables display of the recalled trace.
<b>Examples</b>	<code>MMEmory:IQVTime:SHOW:TRACe:I ON</code> enables display of the recalled data loaded in the Trace.

## MMEMory:IQVTIME:SHOW:TRACe<x>:Q

Enables display of a recalled trace file in Trace<x>. The result is the same as selecting “Show recalled trace” in the Recall traces dialog box or selecting Show in the Trace Overview display.

**Conditions** Measurement views: RF I&Q versus Time

**Group** Mass memory commands

**Syntax** MMEMory:IQVTIME:SHOW:TRACe<x>:Q { OFF | ON | 0 | 1 }  
MMEMory:IQVTIME:SHOW:TRACe<x>:Q?

**Related Commands** [MMEMory:IQVTIME:SHOW:TRACe<x>:Q](#)

**Arguments** OFF or 0 disables display of the recalled trace.  
ON or 1 enables display of the recalled trace.

**Examples** MMEMory:IQVTIME:SHOW:TRACe3:Q ON enables display of the recalled data loaded in Trace3.

## MMEMory:IQVTime:STORE:TRACe:I (No Query Form)

Stores I trace data in the specified file.

**Conditions** Measurement views: RF I&Q versus Time

**Group** Mass memory commands

**Syntax** MMEMory:IQVTime:STORE:TRACe:I <file\_name>

**Arguments** <file\_name> :: <string> specifies the file in which to store trace data. The file extension is .RFIQVsTime. You can omit the extension.

**Examples** MMEMory:IQVTIME:STORE:TRACe:I"Sample1" stores the I trace data in the *Sample1.RFIQVsTime* file.

## MMEMemory:IQVTime:STORE:TRACe:Q (No Query Form)

Stores Q trace data in the specified file.

<b>Conditions</b>	Measurement views: RF I&Q versus Time
<b>Group</b>	Mass memory commands
<b>Syntax</b>	MMEMemory:IQVTime:STORE:TRACe:Q <file_name>
<b>Arguments</b>	<file_name> :: <string> specifies the file in which to store trace data. The file extension is .RFIQVsTime. You can omit the extension.
<b>Examples</b>	MMEMemory:IQVTIME:STORE:TRACE:Q"Sample2" stores the Q trace data in the <i>Sample2.RFIQVsTime</i> file.

## MMEMemory:LOAD:IQ (No Query Form)

Loads time-domain IQ waveform into the acquisition memory from a file.

<b>Conditions</b>	Measurement views: All
<b>Group</b>	Mass memory commands
<b>Syntax</b>	MMEMemory:LOAD:IQ <file_name>
<b>Arguments</b>	<file_name> :: <string> specifies the file to load IQ data from. The file extension is .tiq. You can omit the extension.
<b>Examples</b>	MMEMemory:LOAD:IQ"IQ1" loads IQ data from the <i>IQ1.tiq</i> file.

## MMEMemory:LOAD:STATe (No Query Form)

Loads the instrument setup from a specified file for the currently selected view.

<b>Conditions</b>	Measurement views: All
-------------------	------------------------



<b>Group</b>	Mass memory commands
<b>Syntax</b>	<code>MMEemory:LOAD:STATE &lt;file_name&gt;</code>
<b>Arguments</b>	<code>&lt;file_name&gt; :: &lt;string&gt;</code> specifies the file to load the instrument setup from. The file extension is <code>.setup</code> . You can omit the extension.
<b>Examples</b>	<code>MMEemory:LOAD:STATE"STATE1"</code> loads the instrument setup from the <code>STATE1.setup</code> file.

## MMEemory:LOAD:TRACe (No Query Form)

Loads the trace data from a specified file for the currently selected view.

<b>Conditions</b>	Measurement views (See Table 2-34.)
<b>Group</b>	Mass memory commands
<b>Syntax</b>	<code>MMEemory:LOAD:TRACe &lt;file_name&gt;</code>
<b>Related Commands</b>	<a href="#">MMEemory:STORe:TRACe</a>
<b>Arguments</b>	<p><code>&lt;file_name&gt; :: &lt;string&gt;</code> specifies the file to load the trace data from. The file extension is named for the measurement view as shown in the following table. The trace file is not available in some views which are indicated by "NA" in the file extension column.</p> <p>For the views that allow multiple-trace display, select the trace to load or store using the command listed in the trace selection column in the following table. You can load the specified trace with any trace data that you saved in the view if the traces have the same units. For example, you can load Trace 2 with Trace 1 data that you saved.</p>

**Table 2-34: Trace file extension and trace selection command**

Display group	Measurement view	File extension	Trace selection
General signal viewing	Spectrum	Specan	<a href="#">TRACe&lt;x&gt;:SPECtrum:SElect</a>
	DPX spectrum	dpt	<a href="#">TRACe&lt;x&gt;:DPX:SElect</a>
	Amplitude versus Time	AmplVsTime	<a href="#">TRACe&lt;x&gt;:AVTime:SElect</a>
	Frequency versus Time	FreqVsTime	NA
	Phase versus Time	PhaseVsTime	NA
	RF I&Q versus Time	RFIQVsTime	NA
	Spectrogram	Sogram	NA
	Time overview	NA	NA
General purpose analog modulation (Option 21 only)	AM	AmVsTime	NA
	FM	FmVsTime	NA
	PM	PmVsTime	NA
General purpose digital modulation (Option 21 only)	Constellation	NA	NA
	Demodulated I & Q versus Time	NA	NA
	Eye Diagram	NA	NA
	EVM versus Time	NA	NA
	Frequency Deviation versus Time	NA	NA
	Magnitude error versus Time	NA	NA
	Phase error versus Time	NA	NA
	Signal quality	NA	NA
	Symbol table	NA	NA
	Trellis Diagram	NA	NA
RF measurements	CCDF	CCDF	<a href="#">TRACe&lt;x&gt;:CCDF:SElect</a>
	Channel power and ACPR	NA	NA
	MCPR	NA	NA
	Occupied Bandwidth	NA	NA
	Phase noise (Option 11 only)	PhaseNoise	<a href="#">TRACe&lt;x&gt;: {FSETtling PSETtling}:SElect</a>
	Spurious	NA	NA
Pulsed RF (Option 20 only)	Pulse statistics	NA	NA
	Pulse table	NA	NA
	Pulse trace	NA	NA

**Examples**     `MMEMORY:LOAD:TRACE"TRACE1"` loads the trace data from the *TRACE1.Specan* file when the spectrum view is selected.

## MMEMory:OFDM:CONSte:LOAD:TRACe (No Query Form)

Loads the OFDM constellation trace data from the specified file.

**Conditions** Measurement views: OFDM

**Group** Mass memory commands

**Syntax** MMEMory:OFDM:CONSte:LOAD:TRACe <file\_name>

**Arguments** <file\_name> :: <string> specifies the file from which to load the trace data.

**Examples** MMEMORY:OFDM:CONSTE:LOAD:TRACE "Sample1" loads the trace data from the file with the OFDM Constellation measurement.

## MMEMory:OFDM:CONSte:SHOW:TRACe

Enables the display of a recalled trace.

**Conditions** Measurement views: OFDM

**Group** Mass memory commands

**Syntax** MMEMory:OFDM:CONSte:SHOW:TRACe{ OFF | ON | 0 | 1 }  
MMEMory:OFDM:CONSte:SHOW:TRACe?

**Arguments** OFF or 0 disables display of the recalled trace.  
ON or 1 enables display of the recalled trace.

**Examples** MMEMORY:OFDM:CONSTE:SHOW:TRACE ON enables the display of the recalled data loaded in the trace.

## MMEMory:OFDM:CONSte:STORe:TRACe (No Query Form)

Stores the OFDM constellation measurement trace data in the specified file.

<b>Conditions</b>	Measurement views: OFDM
<b>Group</b>	Mass memory commands
<b>Syntax</b>	MMEMemory:OFDM:CONStE:StORe:TRACe <file_name>
<b>Arguments</b>	<file_name> :: <string> specifies the file in which to store the trace data.
<b>Examples</b>	MMEMemory:OFDM:CONStE:StORe:TRACe "Sample1" stores the trace data in the Sample1 file in the OFDM Constellation measurement.

## MMEMemory:PHVTime:LOAD:TRACe (No Query Form)

Loads the Phase versus Time trace data from the specified file.

<b>Conditions</b>	Measurement views: Phase versus Time
<b>Group</b>	Mass memory commands
<b>Syntax</b>	MMEMemory:PHVTime:LOAD:TRACe <file_name>
<b>Arguments</b>	<file_name> :: <string> specifies the file from which to load trace data. The file extension is .PhaseVsTime. You can omit the extension.
<b>Examples</b>	MMEMemory:PHVTime:LOAD:TRACe"Sample1" loads the Phase versus Time trace data from the <i>Sample1.PhaseVsTime</i> file.

## MMEMemory:PHVTime:SHOW:TRACe

Enables display of a recalled trace file in Trace<x>. The result is the same as selecting "Show recalled trace" in the Recall traces dialog box or selecting Show in the Trace Overview display.

<b>Conditions</b>	Measurement views: Phase versus Time
<b>Group</b>	Mass memory commands

**Syntax**     `MMEemory:PHVTime:SHOW:TRACe { OFF | ON | 0 | 1 }`  
`MMEemory:PHVTime:SHOW:TRACe?`

**Related Commands**     [MMEemory:PHVTime:LOAD:TRACe](#)

**Arguments**     OFF or 0 disables display of the recalled trace.  
                      ON or 1 enables display of the recalled trace.

**Examples**     `MMEemory:PHVTIME:SHOW:TRACe ON` enables display of the recalled data loaded in the Trace.

## MMEemory:PHVTime:STORE:TRACe (No Query Form)

Stores the Phase versus Time trace data in the specified file.

**Conditions**     Measurement views: Phase versus Time

**Group**     Mass memory commands

**Syntax**     `MMEemory:PHVTime:STORE:TRACe <file_name>`

**Arguments**     `<file_name> :: <string>` specifies the file in which to store trace data. The file extension is `.PhaseVsTime`. You can omit the extension.

**Examples**     `MMEemory:PHVTIME:STORE:TRACe"Sample1"` stores the Phase versus Time trace data in the `Sample1.PhaseVsTime` file.

## MMEemory:PNOise:LOAD:TRACe<x> (No Query Form)

Loads the Phase Noise trace data from the specified file. The parameter `<x> = 1` or `2`; only Trace1 and Trace2 are used for Phase Noise measurement.

**Conditions**     Measurement views: Phase noise

**Group**     Mass memory commands

**Syntax** `MMEMemory:PNOise:LOAD:TRACe<x> <file_name>`

**Arguments** `<file_name> :: <string>` specifies the file from which to load trace data.

**Examples** `MMEMemory:PNOISE:LOAD:TRACE1 "wfm1"` loads Trace1 data from the Wfm1 file.

## **MMEMemory:PNOise:SHOW:TRACe<x>**

Enables display of a recalled Phase Noise trace file in Trace<x>. The result is the same as selecting “Show recalled trace” in the Recall traces dialog box or selecting Show in the Trace Overview display.

**Conditions** Measurement views: Phase noise

**Group** Mass memory commands

**Syntax** `MMEMemory:PNOise:SHOW:TRACe<x> { OFF | ON | 0 | 1 }`  
`MMEMemory:PNOise:SHOW:TRACe<x>?`

**Related Commands** [MMEMemory:PNOise:LOAD:TRACe<x>](#)

**Arguments** OFF or 0 disables display of the recalled trace.  
 ON or 1 enables display of the recalled trace.

**Examples** `MMEMemory:PNOise:SHOW:TRACE1 ON` enables display of the recalled data loaded in Trace1.

## **MMEMemory:PNOise:STORe:TRACe<x> (No Query Form)**

Stores the Phase Noise trace data in the specified file. The parameter <x> = 1 or 2; only Trace1 and Trace2 are used for Phase Noise measurement.

**Conditions** Measurement views: Phase noise

**Group** Mass memory commands

---

<b>Syntax</b>	<code>MMEemory:PNOise:STORE:TRACe&lt;x&gt; &lt;file_name&gt;</code>
<b>Arguments</b>	<code>&lt;file_name&gt; :: &lt;string&gt;</code> specifies the file in which to store trace data.
<b>Examples</b>	<code>MMEemory:PNOISE:STORE:TRACE1 "WFM1"</code> stores Trace 1 data in the WFM1 file.

## MMEemory:SEM:LOAD:TABLE (No Query Form)

Loads the Spectral Emissions Mask table containing the limits for enabled ranges from the specified file.

<b>Conditions</b>	Measurement views: Spectral Emissions Mask
<b>Group</b>	Mass memory commands
<b>Syntax</b>	<code>MMEemory:SEM:LOAD:TABLE &lt;file_name&gt;</code>
<b>Arguments</b>	<code>&lt;file_name&gt; :: &lt;string&gt;</code> specifies the file to load the SEM table from. The file extension is .csv. You can omit the extension.
<b>Examples</b>	<code>MMEemory:SEM:LOAD:TABLE "Table1"</code> loads the SEM table from the <i>Table1.csv</i> file.

## MMEemory:SEM:STORE:TABLE (No Query Form)

Stores the Spectral Emissions Mask table containing the limits for enabled ranges in a specified file in the CSV format, allowing you to export the file into Microsoft Excel or other database systems.

<b>Conditions</b>	Measurement views: Spectral Emissions Mask
<b>Group</b>	Mass memory commands
<b>Syntax</b>	<code>MMEemory:SEM:STORE:TABLE &lt;file_name&gt;</code>

**Arguments** <file\_name> :: <string> specifies the file to store the SEM table in. The file extension is .csv. You can omit the extension.

**Examples** MMEMORY:SEM:STORE:TABLE "Table1" stores the SEM table in the *Table1.csv* file.

## MMEMory:SGRam:LOAD:TRACe (No Query Form)

Loads the Spectrogram trace data from the specified file. No trace number is needed or allowed.

**Conditions** Measurement views: Spectrogram

**Group** Mass memory commands

**Syntax** MMEMory:SGRam:LOAD:TRACe <file\_name>

**Arguments** <file\_name> :: <string> specifies the file from which to load trace data. The file extension is .sogram. You can omit the extension.

**Examples** MMEMORY:SGRAM:LOAD:TRACE5 "Spec2" loads Trace5 data from the file *Spec2.sogram*.

## MMEMory:SGRam:SHOW:TRACe

Enables display of a recalled trace file in Trace. The result is the same as selecting “Show recalled trace” in the Recall traces dialog box or selecting Show in the Trace Overview display.

**Conditions** Measurement views: Spectrogram

**Group** Mass memory commands

**Syntax** MMEMory:SGRam:SHOW:TRACe { OFF | ON | 0 | 1 }  
MMEMory:SGRam:SHOW:TRACe?

**Related Commands** [MMEMory:SGRam:LOAD:TRACe](#)



<b>Arguments</b>	OFF or 0 disables display of the recalled trace. ON or 1 enables display of the recalled trace.
<b>Examples</b>	<code>MMEMemory:SGRAM:SHOW:TRACe ON</code> enables display of the recalled data loaded in Trace.

## MMEMemory:SGRam:STORE:TRACe (No Query Form)

Stores the Spectrogram trace data in the specified file. No trace number is needed or allowed.

---

**NOTE.** *Only valid when the spectrum or spectrogram measurements are running.*

---

<b>Conditions</b>	Measurement views: Spectrogram
<b>Group</b>	Mass memory commands
<b>Syntax</b>	<code>MMEMemory:SGRam:STORE:TRACe &lt;file_name&gt;</code>
<b>Arguments</b>	<code>&lt;file_name&gt; :: &lt;string&gt;</code> specifies the file in which to store trace data. The file extension is <code>.sogram</code> . You can omit the extension.
<b>Examples</b>	<code>MMEMemory:SGRAM:STORE:TRACE "Spec2"</code> stores Trace data in the <code>Spec2.sogram</code> file.

## MMEMemory:SPECTrum:LOAD:TRACe (No Query Form)

Loads the spectrum trace data from the specified file.  
The parameter `<x>` = 1 to 4; Trace 5 (spectrogram) is invalid.

<b>Conditions</b>	Measurement views: Spectrum
<b>Group</b>	Mass memory commands
<b>Syntax</b>	<code>MMEMemory:SPECTrum:LOAD:TRACe &lt;file_name&gt;</code>

**Arguments** <file\_name> :: <string> specifies the file from which to load trace data. The file extension is .Specan. You can omit the extension.

**Examples** MMEMORY:SPECTRUM:LOAD:TRACE1 "Sample1" loads Trace 1 data from the *Sample1. Specan* file.

## MMEMory:SPECTrum:SHOW:TRACe<x>

Enables display of a recalled trace file in Trace<x>. The result is the same as selecting “Show recalled trace” in the Recall traces dialog box or selecting Show in the Trace Overview display.

**Conditions** Measurement views: Spectrum

**Group** Mass memory commands

**Syntax** MMEMory:SPECTrum:SHOW:TRACe<x> { OFF | ON | 0 | 1 }  
MMEMory:SPECTrum:SHOW:TRACe<x>?

**Related Commands** [MMEMory:SPECTrum:LOAD:TRACe](#)

**Arguments** OFF or 0 disables display of the recalled trace.  
ON or 1 enables display of the recalled trace.

**Examples** MMEMory:SPECTRUM:SHOW:TRACe2 ON enables display of the recalled data loaded in Trace2.

## MMEMory:SPECTrum:STORE:TRACe<x> (No Query Form)

Stores the spectrum trace data in the specified file.  
The parameter <x> = 1 to 5; All traces are valid.

---

**NOTE.** TRACe5 (spectrogram) is valid when the spectrum and spectrogram measurements are running.

---

**Conditions** Measurement views: Spectrum

---

<b>Group</b>	Mass memory commands
<b>Syntax</b>	<code>MMEMemory:SPECTrum:STORe:TRACe&lt;x&gt; &lt;file_name&gt;</code>
<b>Arguments</b>	<code>&lt;file_name&gt;</code> :: <code>&lt;string&gt;</code> specifies the file in which to store trace data. The file extension is <code>.Specan</code> . You can omit the extension.
<b>Examples</b>	<code>MMEMemory:SPECTRUM:STORE:TRACE1 "Sample1"</code> stores Trace 1 data in the <i>Sample1.Specan</i> file.

## MMEMemory:SPURious:LOAD:TABLE (No Query Form)

Loads the spurious table containing the limits for enabled ranges from the specified file.

<b>Conditions</b>	Measurement views: Spurious
<b>Group</b>	Mass memory commands
<b>Syntax</b>	<code>MMEMemory:SPURious:LOAD:TABLE &lt;file_name&gt;</code>
<b>Arguments</b>	<code>&lt;file_name&gt;</code> :: <code>&lt;string&gt;</code> specifies the file to load the spurious table from. The file extension is <code>.csv</code> . You can omit the extension.
<b>Examples</b>	<code>MMEMemory:SPURIOUS:LOAD:TRACE1 "Table1"</code> loads the spurious table from the <i>Table1.csv</i> file.

## MMEMemory:SPURious:STORe:TABLE (No Query Form)

Stores the spurious table containing the limits for enabled ranges in a specified file in the CSV (Comma Separated Values) format, allowing you to export the file into Microsoft Excel or other database systems.

<b>Conditions</b>	Measurement views: Spurious
<b>Group</b>	Mass memory commands

**Syntax**     `MMEemory:SPURious:STORE:TABLE <file_name>`

**Arguments**     `<file_name> :: <string>` specifies the file to store the spurious table in. The file extension is `.csv`. You can omit the extension.

**Examples**     `MMEemory:SPURIOUS:STORE:TABLE"Table1"` stores the spurious table in the *Table1.csv* file.

## MMEemory:STORE:IQ (No Query Form)

Saves time-domain IQ waveform in the acquisition memory to a specified file.

**Conditions**     Measurement views: All

**Group**     Mass memory commands

**Syntax**     `MMEemory:STORE:IQ <file_name>`

**Arguments**     `<file_name> :: <string>` specifies the file to save IQ data. The file extension is `.tiq`. You can omit the extension.

**Examples**     `MMEemory:STORE:IQ"IQ1"` saves IQ data to the *IQ1.tiq* file.

## MMEemory:STORE:IQ:CSV (No Query Form)

Saves time-domain IQ waveform in the acquisition memory to a specified file in the CSV (Comma Separated Values) format, allowing you to export the file into Microsoft Excel or other database systems.

**Conditions**     Measurement views: All

**Group**     Mass memory commands

**Syntax**     `MMEemory:STORE:IQ:CSV <file_name>`

**Arguments**     `<file_name> :: <string>` specifies the file to save IQ data. The file extension is `.csv`. You can omit the extension.

**Examples**    `MMEMORY:STORE:IQ:CSV"IQ2"` saves IQ data to the *IQ2.cs(less t eq)* file.

## MMEMory:STORE:IQ:MAT (No Query Form)

Saves time-domain IQ waveform in the acquisition memory to a specified file in the MATLAB format, allowing you to export the file into the MATLAB technical computing environment.

**Conditions**    Measurement views: All

**Group**    Mass memory commands

**Syntax**    `MMEMory:STORE:IQ:MAT <file_name>`

**Arguments**    `<file_name> :: <string>` specifies the file to save IQ data. The file extension is `.mat`. You can omit the extension.

**Examples**    `MMEMORY:STORE:IQ:MAT"IQ3"` saves IQ data to the *IQ3.mat* file.

## MMEMory:STORE:IQ:SELEct:DATA

Sets or queries the data type stored when saving acquisition data files.

**Conditions**    Measurement views

**Group**    Mass memory commands

**Syntax**    `MMEMory:STORE:IQ:SELEct:DATA { IQ | SPECTra | ALL }`

---

**NOTE.** *Although the command includes IQ as part of the command, the command applies to all the data stored in the file, not only IQ data.*

---

**Arguments**    `IQ` specifies that IQ data be saved in the data file.  
                   `SPECTra` specifies that DPX spectra be saved in the data file.  
                   `ALL` specifies that both IQ and DPX spectra be saved in the data file.

**Examples**    `MMEMemory:STORE:IQ:SELECT:DATA SPECTra` sets the data type to DPX Spectra.

## **MMEMemory:STORE:IQ:SELECT:FRAMES**

Sets or queries which frames are saved when saving TIQ acquisition data files.

**Conditions**    Measurement views

**Group**        Mass memory commands

**Syntax**       `MMEMemory:STORE:IQ:SELECT:FRAMES { ACQuisition | HISTory | SELEcted | ALL }`

**Arguments**    `ACQuisition` saves the entire acquisition that contains the current frame.  
`HISTory` saves the current frame.  
`SELEcted` saves only selected frames.  
`ALL` saves all acquired frames.

## **MMEMemory:STORE:IQ:SELECT:LENGTH**

Sets or queries what portion of each record is saved when saving acquisition data.

**Conditions**    Measurement views

**Group**        Mass memory commands

**Syntax**       `MMEMemory:STORE:IQ:SELECT:LENGTH { ENTire | LENGTH }`  
`MMEMemory:STORE:IQ:SELECT:LENGTH?`

**Arguments**    `ENTire` saves the entire record  
`LENGTH` saves the portion of the record being analyzed.

## MMEMemory:STORe:MSTate (No Query Form)

Stores the measurement parameters to a specified file in the ASCII text format for the currently selected view, allowing you to export the file into other applications.

<b>Conditions</b>	Measurement views: All
<b>Group</b>	Mass memory commands
<b>Syntax</b>	MMEMemory:STORe:MSTate <file_name>
<b>Arguments</b>	<file_name> :: <string> specifies the file to store the measurement parameters. The file extension is .txt. You can omit the extension.
<b>Examples</b>	MMEMemory:STORe:MSTATE"MSTATE1" stores the measurement parameters to the <i>MSTATE1.txt</i> file.

## MMEMemory:STORe:RESuLts (No Query Form)

Stores the measurement results including measurement parameters and trace data to a specified file in the CSV (Comma Separated Values) format for the currently selected view, allowing you to export the file into Microsoft Excel or other database systems.

<b>Conditions</b>	Measurement views: All
<b>Group</b>	Mass memory commands
<b>Syntax</b>	MMEMemory:STORe:RESuLts <file_name>
<b>Arguments</b>	<file_name> :: <string> specifies the file to store the measurement results. The file extension is .csv. You can omit the extension.
<b>Examples</b>	MMEMemory:STORe:RESULTS"RESULT1" stores the measurement results to the <i>RESULT1.csv</i> file.

## MMEMemory:STORe:SCReen (No Query Form)

Stores the current display as a bitmap image file in one of several standard formats. When no format is specified, the system uses the default, .png.

<b>Conditions</b>	Measurement views: All
<b>Group</b>	Mass memory commands
<b>Syntax</b>	MMEMemory:STORe:SCReen <file_name>{ .bmp   .jpg   .png }
<b>Arguments</b>	<file_name> :: <string> specifies the file to store the screen image.
<b>Examples</b>	MMEMemory:STORe:SCReen"RESULT1.png" stores the current screen image into the file <i>RESULT1.png</i> .

## MMEMemory:STORe:STATe (No Query Form)

Stores the instrument setup to a specified file for the currently selected view.

<b>Conditions</b>	Measurement views: All
<b>Group</b>	Mass memory commands
<b>Syntax</b>	MMEMemory:STORe:STATe <file_name>
<b>Arguments</b>	<file_name> :: <string> specifies the file to store the instrument setup. The file extension is .setup. You can omit the extension.
<b>Examples</b>	MMEMemory:STORe:STATe"STATE1" stores the instrument setup in the <i>STATE1.setup</i> file.

## MMEMemory:STORe:TRACe (No Query Form)

Stores the trace data in a specified file for the currently selected view.

<b>Conditions</b>	Measurement views (See Table 2-34 on page 2-672.)
-------------------	---



<b>Group</b>	Mass memory commands
<b>Syntax</b>	MMEMory:STORe:TRACe <file_name>
<b>Related Commands</b>	<a href="#">MMEMory:IQVTIME:SHOW:TRACe:I</a>
<b>Arguments</b>	<file_name> :: <string> specifies the file to store the trace data in. The file extension is named for the measurement view as shown in the table (See Table 2-34.) The trace file is not available in some views which are indicated by "NA" in the file extension column. For the views that allow multiple-trace display, select the trace to load or store using the command listed in the trace selection column.
<b>Examples</b>	MMEMORY:STORE:TRACE"TRACE1" stores the trace data in the <i>TRACE1.Specan</i> file when the spectrum view is selected.

## MMEMory:TOVerview:LOAD:TRACe1 (No Query Form)

Loads the trace data from a specified file into Trace1. Refer to (See Table 2-34.) for the correct file extensions for each trace type.

<b>Conditions</b>	Measurement views
<b>Group</b>	Mass memory commands
<b>Syntax</b>	MMEMory:TOVerview:LOAD:TRACe1 <file_name>
<b>Related Commands</b>	<a href="#">MMEMory:STORe:TRACe</a>
<b>Arguments</b>	<file_name> :: <string> specifies the file path and name to load the trace data from. The file extension is named for the measurement view.(See Table 2-34.). Most trace file types are compatible with only one Measurement view.
<b>Examples</b>	MMEMory:TOVerview:LOAD:TRACe1 "TRIALB" loads the trace data from the file <i>TRIALB.TOV</i> when the spectrum view is selected.

## MMEMory:TOVerview:SHOW:TRACe1

Enables display of a recalled trace file in Trace<x>. The result is the same as selecting “Show recalled trace” in the Recall traces dialog box or selecting Show in the Trace Overview display.

**Conditions** Measurement views

**Group** Mass memory commands

**Syntax** MMEMory:TOVerview:SHOW:TRACe1 { OFF | ON | 0 | 1 }  
MMEMory:TOVerview:SHOW:TRACe1?

**Related Commands** [MMEMory:TOVerview:LOAD:TRACe1](#)

**Arguments** OFF or 0 disables display of the recalled trace.

ON or 1 enables display of the recalled trace.

**Examples** MMEMory:TOVerview:SHOW:TRACe1 ON enables display of the recalled data loaded in Trace2.

## MMEMory:TOVerview:STORe:TRACe1 (No Query Form)

Stores the trace data for Trace1 into the specified file.

**Conditions** Measurement views

**Group** Mass memory commands

**Syntax** MMEMory:TOVerview:STORe:TRACe1 <file\_name>

**Related Commands** [MMEMory:STORe:TRACe](#)

**Arguments** <file\_name> :: <string> specifies the file to store the trace data in. The file extension is named for the measurement view as shown in the table (See Table 2-34.) The trace file is not available in some views which are indicated by "NA" in the file extension column. For the views that allow multiple-trace

display, select the trace to load or store using the command listed in the trace selection column.

**Examples** `MMEMory:TOVerview:STORE:TRACe1 "TriAlB"` stores the Trace1 data into the file `TRIALB.TOV` when a spectrum view is selected.

## \*OPC

Generates the operation complete message in the Standard Event Status Register (SESR) when all pending operations finish. The `*OPC?` query places the ASCII character "1" into the output queue when all pending operations are finished. The `*OPC?` response is not available to read until all pending operations finish.

The `*OPC` command allows you to synchronize the operation of the analyzer with your application program. Refer to *Synchronizing Execution* (See page 3-11.) for the details.

**Conditions** Measurement views: All

**Group** IEEE common commands

**Syntax** `*OPC`  
`*OPC?`

**Arguments** None

## \*OPT? (Query Only)

Returns a list of options installed in your analyzer.

**Conditions** Measurement views: All

**Group** IEEE common commands

**Syntax** `*OPT?`

**Arguments** None

**Returns** The numbers of all the options installed in the analyzer, separated by commas. If no options have been installed, 0 is returned. The following table lists the options for the RSA6100A Series analyzers.

**Table 2-35: Instrument options**

Option	Description
01	Internal preamp, 5 MHz - 3 GHz, 30 dB gain, 8 dB noise figure at 2 GHz, typical
02	256 Msample deep memory, frequency mask trigger
05	Digital IQ output and 500 MHz analog IF output
06 <sup>1</sup>	Removable HDD, 80 GB
07 <sup>1</sup>	DVD-RW
20	Advanced signal analysis (including pulse measurements)
21	General purpose modulation analysis
110	110 MHz real-time capture bandwidth
1R <sup>1</sup>	Rackmount

<sup>1</sup> These options are not returned from this query.

**Examples** \*OPT? might return 02 , 05 , 21, indicating that Option 02, 05, and 21 are currently installed in the analyzer.

## OUTPut:IF:{BANDwidth|BWIDth}

Sets or queries the IF output filter when [OUTPut:IF\[:STATe\]](#) is set to ON.

**Conditions** Measurement views: All (Option 05 only)

**Group** Output commands

**Syntax** `OUTPut:IF:{BANDwidth|BWIDth} { FLATtop | GAUSSian }`  
`OUTPut:IF:{BANDwidth|BWIDth}?`

**Arguments** FLATtop selects the flattop filter.  
 GAUSSian selects the Gaussian filter.

**Examples** `OUTPUT:IF:BANDWIDTH GAUSSian` selects the Gaussian filter for the IF output.

## OUTPut:IF[:STATe]

Determines whether to turn on or off the 500 MHz IF Out on the rear panel.

**Conditions** Measurement views: All (Option 05 only)

**Group** Output commands

**Syntax** `OUTPut:IF[:STATe] { OFF | ON | 0 | 1 }`  
`OUTPut:IF[:STATe]?`

**Related Commands** [OUTPut:IF:{BANDwidth|BWIDth}](#)

**Arguments** OFF or 0 turns off IF Out.  
ON or 1 turns on IF Out.

**Examples** `OUTPUT:IF:STATE ON` turns on IF Out.

## OUTPut:IQ:SOURce

Sets or queries the format of the IQ output.

**Conditions** Measurement views: All (Option 05 only)

**Group** Output commands

**Syntax** `OUTPut:IQ:SOURce { NORMa1 | CTP }`  
`OUTPut:IQ:SOURce?`

**Arguments** NORMa1 sets the output format to normal.  
CTP sets the output format to the test pattern.

**Examples** `OUTPUT:IQ:SOURCE?` might return CTP indicating the IQ output is a test pattern.

## OUTPut:IQ[:STATe]

Determines whether to enable or disable the digital IQ output data stream from the rear panel connectors.

<b>Conditions</b>	Measurement views: All (Option 05 only)
<b>Group</b>	Output commands
<b>Syntax</b>	OUTPut:IQ[:STATe] { 0   1   OFF   ON } OUTPut:IQ[:STATe]?
<b>Arguments</b>	OFF or 0 disables the digital IQ output. ON or 1 enables the digital IQ output. At *RST, this value is set to OFF.
<b>Examples</b>	OUTPUT:IQ:STATE ON enables the digital IQ output.

## OUTPut:NOISe[:STATe]

Determines whether to turn on or off the +28 V DC Out on the rear panel.

<b>Conditions</b>	Measurement views: All
<b>Group</b>	Output commands
<b>Syntax</b>	OUTPut:NOISe[:STATe] { OFF   ON   0   1 } OUTPut:NOISe[:STATe]?
<b>Arguments</b>	OFF or 0 turns off +28 V DC Out. ON or 1 turns on +28 V DC Out.
<b>Examples</b>	OUTPUT:NOISE:STATE ON turns on +28 V DC Out.

## READ:ACPower? (Query Only)

Returns the Channel power and ACPR measurement results for all available channels.

**Conditions** Measurement views: Channel power and ACPR

**Group** Read commands

**Syntax** READ:ACPower?

**Arguments** None

**Returns** <chan\_power>, <acpr\_lower(1)>, <acpr\_upper(1)>, <acpr\_lower(2)>, <acpr\_upper(2)>, ... <acpr\_lower(n)>, <acpr\_upper(n)>

Where

<chan\_power> is the average power of the main channel as the power reference in dBm. The unit can be changed by the [\[SENSe\]:POWer:UNITs](#) command.

<acpr\_lower(n)> is the ACPR for the lower channel #n in dB.

<acpr\_upper(n)> is the ACPR for the upper channel #n in dB.

The number of n depends on the setting of the [\[SENSe\]:ACPower:CHANnel:PAIRs](#) command.

**Examples** READ:ACPOWER? might return 4.227, -28.420, -23.847, -22.316, -29.225, indicating  
 (average power of the main channel) = 4.227 dBm,  
 (ACPR for the lower channel 1) = -28.420 dB,  
 (ACPR for the upper channel 1) = -23.847 dB,  
 (ACPR for the lower channel 2) = -22.316 dB, and  
 (ACPR for the upper channel 2) = -29.225 dB.

## READ:ACPower:CHANnel:POWer? (Query Only)

Returns the average power of the main channel (power reference) in the Channel power and ACPR measurement.

**Conditions** Measurement views: Channel power and ACPR

<b>Group</b>	Read commands
<b>Syntax</b>	READ:ACPower:CHANnel:POWer?
<b>Arguments</b>	None
<b>Returns</b>	<chan_power> :: <NRF> is the average power of the main channel in dBm. The unit can be changed by the [SENSE]:POWER:UNITs command.
<b>Examples</b>	READ:ACPOWER:CHANNEL:POWER? might return 4.227, indicating that the average power of the main channel is 4.227 dBm.

## READ:ACPower:SPECTrum? (Query Only)

Returns spectrum trace data of the Channel power and ACPR measurement.

<b>Conditions</b>	Measurement views: Channel power and ACPR
<b>Group</b>	Read commands
<b>Syntax</b>	READ:ACPower:SPECTrum?
<b>Arguments</b>	None
<b>Returns</b>	#<num_digit><num_byte><data(1)><data(2)>...<data(n)> Where <num_digit> is the number of digits in <num_byte>. <num_byte> is the number of bytes of data that follow. <data(n)> is the spectrum trace data in dBm for the point n, 4-byte little endian floating-point format specified in IEEE 488.2. The unit can be changed by the [SENSE]:POWER:UNITs command.
<b>Examples</b>	READ:ACPOWER:SPECTRUM? might return #43204xxxx... (3204-byte data) for the spectrum trace data of the Channel power and ACPR measurement.



## READ:{AM|FM|PM}? (Query Only)

Returns the trace data in the AM/FM/PM measurement.

<b>Conditions</b>	Measurement views: AM, FM, PM
<b>Group</b>	Read commands
<b>Syntax</b>	READ:{AM FM PM}?
<b>Arguments</b>	None
<b>Returns</b>	#<num_digit><num_byte><data(1)><data(2)>...<data(n)> Where <num_digit> is the number of digits in <num_byte>. <num_byte> is the number of bytes of data that follow. <data(n)> is the modulation factor in percent (AM), frequency deviation in Hz (FM), or phase deviation in degrees (PM) at the n <sup>th</sup> data point, 4-byte little endian floating-point format specified in IEEE 488.2.
<b>Examples</b>	READ:AM might return #3156xxxx... (156-byte data) for the AM measurement trace.

## READ:AM:AMIndex? (Query Only)

Returns the modulation index which is (positive peak modulation factor - negative peak modulation factor)/2, returned as a percentage (%).

<b>Conditions</b>	Measurement views: AM
<b>Group</b>	Read commands
<b>Syntax</b>	READ:AM:AMIndex?
<b>Arguments</b>	None
<b>Returns</b>	<value> :: <NRf> the modulation index.

**Examples**    `READ:AM:AMINDEX?` might return `36.48`, indicating the modulation index is 36.48%.

## **READ:AM:AMNegative? (Query Only)**

Returns the negative peak modulation factor (–AM) in the AM measurement.

**Conditions**    Measurement views: AM

**Group**        Read commands

**Syntax**       `READ:AM:AMNegative?`

**Arguments**    None

**Returns**       `<-AM> :: <NRF>` is the negative peak modulation factor in percent (%).

**Examples**    `READ:AM:AMNEGATIVE?` might return `-23.4`, indicating the negative peak modulation factor is –23.4%.

## **READ:AM:AMPositive? (Query Only)**

Returns the positive peak modulation factor (+AM) in the AM measurement.

**Conditions**    Measurement views: AM

**Group**        Read commands

**Syntax**       `READ:AM:AMPositive?`

**Arguments**    None

**Returns**       `<+AM> :: <NRF>` is the positive peak modulation factor in percent (%).

**Examples**    `READ:AM:AMPOSITIVE?` might return `43.8`, indicating the positive peak modulation factor is 43.8%.

## READ:AM:RESult? (Query Only)

Returns the AM measurement results.

**Conditions** Measurement views: AM

**Group** Read commands

**Syntax** READ:AM:RESult?

**Arguments** None

**Returns** <+AM>, <-AM>, <Total AM>

Where

<+AM> :: <NRf> is the positive peak modulation factor in percent (%).

<-AM> :: <NRf> is the negative peak modulation factor in percent (%).

<Total AM> :: <NRf> is the (peak to peak modulation factor)/2 in percent (%).

**Examples** READ:AM:RESULT? might return 62.63, -50.89, 56.76.

## READ:AUDio:FERRor? (Query Only)

Returns the carrier frequency error in the audio measurement.

This command is only available for FM and PM measurements.

**Conditions** Measurement views: Audio Summary

**Group** Read commands

**Syntax** READ:AUDio:FERRor?

**Arguments** None

**Returns** <value> ::= <NRf> the carrier frequency error.

**Examples**    `READ:AUDIO:FERROR?` might return `419.9529809622` indicating that the audio frequency error is approximately 420 Hz.

## **READ:AUDio:FREQuency? (Query Only)**

Returns the audio frequency.

**Conditions**    Measurement views: Audio Summary

**Group**        Read commands

**Syntax**       `READ:AUDio:FREQuency?`

**Arguments**    None

**Returns**       `<value> ::= <NRf>` the audio frequency.

**Examples**    `READ:AUDIO:FREQUENCY?` might return `5.8239462705E+3` indicating that the audio frequency is 5.824 kHz.

## **READ:AUDio:HARMonic:COUNT? (Query Only)**

Returns the number of harmonics in the audio spectrum measurement.

The number of harmonics appear in the results table in the audio spectrum view.

**Conditions**    Measurement views: Audio Spectrum

**Group**        Read commands

**Syntax**       `READ:AUDio:HARMonic:COUNT?`

**Related Commands**    [READ:AUDio:NHARmonic:COUNT?](#)

**Arguments**    None

**Returns** <count> ::= <NR1> the number of harmonics in the measurement view.

**Examples** READ:AUDIO:HARMONIC:COUNT? might return 3 indicating that there are three harmonics in the measurement.

## READ:AUDIO:HARMONIC<x>:AMPLITUDE? (Query Only)

Returns the amplitude of the specified harmonic in the audio spectrum measurement.

The value <x> represents the specific harmonic, from 1 to the value specified by the [CALCulate:AUDIO:HARMONIC:HNUMBER](#) command.

**Conditions** Measurement views: Audio Spectrum

**Group** Read commands

**Syntax** READ:AUDIO:HARMONIC<x>:AMPLITUDE?

**Related Commands** [CALCulate:AUDIO:HARMONIC:HNUMBER](#)

**Arguments** None

**Returns** <value> ::= <NRf> the amplitude of the specified harmonic in dBc.

**Examples** READ:AUDIO:HARMONIC3:AMPLITUDE? might return -2.861 indicating that amplitude of the third harmonic is -2.86 dBc.

## READ:AUDIO:HARMONIC<x>:FREQUENCY? (Query Only)

Returns the frequency of the specified harmonic in the audio spectrum measurement.

The value <x> represents the specific harmonic, from 1 to the value specified by the [CALCulate:AUDIO:HARMONIC:HNUMBER](#) command.

**Conditions** Measurement views: Audio Spectrum

**Group** Read commands

**Syntax** READ:AUDio:HARMonic<x>:FREQuency?

**Related Commands** [CALCulate:AUDio:HARMonic:HNUMber](#)

**Arguments** None

**Returns** <value> ::= <NRF> the frequency of the specified harmonic.

**Examples** READ:AUDio:HARMonic3:FREQuency? might return 17.4718007813E+3 indicating that the frequency of the third harmonic is 17.472 kHz.

## READ:AUDio:HNOise? (Query Only)

Returns the difference between the current RMS modulation value and the reference value.

This information is only available when the Hum & Noise is measurement is enabled; see the [\[SENSe\]:AUDio:HNOise:ENABLE](#) command. The reference value is stored after capturing the reference by pressing the Capture Reference button or by enabling the [\[SENSe\]:AUDio:HNOise:REference](#) command.

**Conditions** Measurement views: Audio Summary

**Group** Read commands

**Syntax** READ:AUDio:HNOise?

**Related Commands** [\[SENSe\]:AUDio:HNOise:ENABLE](#)[\[SENSe\]:AUDio:HNOise:REference](#)

**Arguments** None

**Returns** <value> ::= <NRF> specifies the difference between the Hum & Noise reference and the actual signal in dB.

**Examples** READ:AUDIO:HNOISE? might return 0.00 dB indicating that there is no difference between the Hum & Noise reference and the actual signal.

## READ:AUDio:HNREference? (Query Only)

Returns the Hum and Noise RMS modulation reference value.

The value is stored after capturing the reference by pressing the Capture Reference button or by enabling the [\[SENSe\]:AUDio:HNOise:REference](#) command. This information is only available when the Hum & Noise measurement is enabled; see the [\[SENSe\]:AUDio:HNOise:ENABLE](#) command.

For AM signal types, the reference represents modulation depth. For FM signal types, the reference represents frequency deviation. For PM signal types the reference represents phase. For Direct signal types the reference represents power.

**Conditions** Measurement views: Audio Summary

**Group** Read commands

**Syntax** READ:AUDio:HNREference?

**Related Commands** [\[SENSe\]:AUDio:HNOise:ENABLE](#)[\[SENSe\]:AUDio:HNOise:REference](#)

**Arguments** None

**Returns** <value> ::= <NRf> the Hum & Noise reference frequency.

**Examples** READ:AUDIO:HNREFERENCE? might return 20.581121E+3 indicating that the Hum & Noise reference frequency is 20.58 kHz.

## READ:AUDio:HPTPeak? (Query Only)

Returns the half peak-to-peak modulation excursion (where the modulation excursion depends on the signal type).

For AM signal types, the modulation excursion is “% Modulation Depth.” For FM signal types, the modulation excursion is “Frequency Deviation.” For PM signal types, the modulation excursion is “Phase Deviation.” For Direct signal types, there is no modulation excursion; it is actually “signal excursion.”

**Conditions** Measurement views: Audio Summary

**Group** Read commands

**Syntax** READ:AUDIO:HPTPeak?

**Arguments** None

**Returns** <value> ::= <NRF> specifies the half peak modulation excursion.

**Examples** READ:AUDIO:HPTPEAK? might return 125.28231E+3 indicating that the half peak modulation excursion is 125.28 kHz.

## READ:AUDIO:MODDist? (Query Only)

Returns the modulation distortion for the audio measurement.

**Conditions** Measurement views: Audio Summary

**Group** Read commands

**Syntax** READ:AUDIO:MODDist?

**Arguments** None

**Returns** <value> ::= <NRF> specifies the modulation distortion.

**Examples** READ:AUDIO:MODDIST? might return 98.6282113 indicating that the modulation distortion is 98.628%.

## READ:AUDIO:NHARmonic:COUNT? (Query Only)

Returns the number of non-harmonics in the audio spectrum measurement.

The number of non-harmonics appear in the results table in the audio spectrum view.

**Conditions** Measurement views: Audio Spectrum

**Group** Read commands



**Syntax**     `READ:AUDIO:NHARmonic:COUNT?`

**Related Commands**     [READ:AUDIO:HARmonic:COUNT?](#)

**Arguments**     None

**Returns**     `<count>` ::= `<NR1>` the number of non-harmonics in the measurement view.

**Examples**     `READ:AUDIO:NHARMONIC:COUNT?` might return 7 indicating that there are seven harmonics in the measurement.

## READ:AUDIO:NHARmonic<x>:AMPLitude? (Query Only)

Returns the amplitude of the specified non-harmonic in the audio spectrum measurement.

The value `<x>` represents the specific non-harmonic, from 1 to the value specified by the [CALCulate:AUDIO:HARmonic:NHNumber](#) command.

**Conditions**     Measurement views: Audio Spectrum

**Group**     Read commands

**Syntax**     `READ:AUDIO:NHARmonic<x>:AMPLitude?`

**Related Commands**     [CALCulate:AUDIO:HARmonic:NHNumber](#)

**Arguments**     None

**Returns**     `<value>` ::= `<NRf>` the amplitude of the specified non-harmonic in dBc.

**Examples**     `READ:AUDIO:NHARMONIC3:AMPLitude?` might return `-2.861` indicating that amplitude of the third non-harmonic is `-2.86` dBc.

## READ:AUDio:NHARmonic<x>:FREQUENCY? (Query Only)

Returns the frequency of the specified non-harmonic in the audio spectrum measurement.

The value <x> represents the specific non-harmonic, from 1 to the value specified by the [CALCulate:AUDio:HARMonic:NHNumber](#) command.

<b>Conditions</b>	Measurement views: Audio Spectrum
<b>Group</b>	Read commands
<b>Syntax</b>	READ:AUDio:NHARmoni c<x>:FREQUENCY?
<b>Related Commands</b>	<a href="#">CALCulate:AUDio:HARMonic:NHNumber</a>
<b>Arguments</b>	None
<b>Returns</b>	<value> ::= <NRF> the frequency of the specified non-harmonic.
<b>Examples</b>	READ:AUDio:NHARMoni c3:FREQUENCY? might return 17.4718007813E+3 indicating that the frequency of the third non-harmonic is 17.472 kHz.

## READ:AUDio:PNEGative? (Query Only)

Returns the minus peak modulation excursion (where the modulation excursion depends on the signal type).

For AM signal types, the modulation excursion is “% Modulation Depth.” For FM signal types, the modulation excursion is “Frequency Deviation.” For PM signal types, the modulation excursion is “Phase Deviation.” For Direct signal types, there is no modulation excursion; it is actually “signal excursion.”

<b>Conditions</b>	Measurement views: Audio Summary
<b>Group</b>	Read commands
<b>Syntax</b>	READ:AUDio:PNEGative?

<b>Arguments</b>	None
<b>Returns</b>	
<b>Examples</b>	READ:AUDIO:PNEGATIVE? might return -196.04321E+3 indicating that the minus peak modulation excursion is -196.04 kHz.

## READ:AUDio:POWer? (Query Only)

Returns the carrier power or signal power depending the signal type.

If the signal type is Direct, the returned value is the average power of the input signal. If the signal type is AM, FM, or PM, the returned value is the carrier power; the average power of the carrier signal with the modulation removed.

<b>Conditions</b>	Measurement views: Audio Summary
<b>Group</b>	Read commands
<b>Syntax</b>	READ:AUDio:POWer?
<b>Arguments</b>	None
<b>Returns</b>	<value> ::= <NRf> specifies the carrier or signal power in dBm.
<b>Examples</b>	READ:AUDIO:POWER? might return -22.231123 indicating that the carrier power is -22.23 dBm.

## READ:AUDio:PPOSitive? (Query Only)

Returns the positive peak modulation excursion (where the modulation excursion depends on the signal type).

For AM signal types, the modulation excursion is “% Modulation Depth.” For FM signal types, the modulation excursion is “Frequency Deviation.” For PM signal types, the modulation excursion is “Phase Deviation.” For Direct signal types, there is no modulation excursion; it is actually “signal excursion.”

<b>Conditions</b>	Measurement views: Audio Summary
-------------------	----------------------------------

<b>Group</b>	Read commands
<b>Syntax</b>	READ:AUDIO:PPOSITIVE?
<b>Arguments</b>	None
<b>Returns</b>	<value> ::= <NRf> specifies the positive peak modulation excursion.
<b>Examples</b>	READ:AUDIO:PPOSITIVE? might return 215.04321E+3 indicating that the positive peak modulation excursion is -215.04 kHz.

## READ:AUDIO:RMS? (Query Only)

Returns the RMS modulation excursion for the audio measurement (where the modulation excursion depends on the signal type).

For AM signal types, the modulation excursion is “% Modulation Depth.” For FM signal types, the modulation excursion is “Frequency Deviation.” For PM signal types, the modulation excursion is “Phase Deviation.” For Direct signal types, there is no modulation excursion; it is actually “signal excursion.”

<b>Conditions</b>	Measurement views: Audio Summary
<b>Group</b>	Read commands
<b>Syntax</b>	READ:AUDIO:RMS?
<b>Arguments</b>	None
<b>Returns</b>	<value> ::= <NRf> specifies the RMS modulation excursion.
<b>Examples</b>	READ:AUDIO:RMS? might return 20.575039E+3 indicating that RMS modulation excursion is 20.575 kHz.

## READ:AUDIO:SINad? (Query Only)

Returns the signal-to-noise and distortion for the audio measurement.

---

<b>Conditions</b>	Measurement views: Audio Summary
<b>Group</b>	Read commands
<b>Syntax</b>	READ:AUDIO:SINad?
<b>Arguments</b>	None
<b>Returns</b>	<value> ::= <NRf> specifies the RMS modulation excursion.
<b>Examples</b>	READ:AUDIO:SINAD? might return 176.229024E-3 indicating that the signal-to-noise and distortion for the audio measurement is 0.18 dB.

### READ:AUDIO:SNOise? (Query Only)

Returns the signal level to noise level with the harmonic distortion and non-harmonic distortion components removed.

<b>Conditions</b>	Measurement views: Audio Summary
<b>Group</b>	Read commands
<b>Syntax</b>	READ:AUDIO:SNOise?
<b>Arguments</b>	None
<b>Returns</b>	<value> ::= <NRf> specifies the signal level to noise level.
<b>Examples</b>	READ:AUDIO:SNOISE? might return -12.8156364 indicating the signal level to noise level is -12.82 dB.

### READ:AUDIO:SPECTrum:TRACe<x>? (Query Only)

Returns the audio spectrum trace data for the audio measurement.

The <x> represents trace 1 for this measurement. No other traces are supported.

<b>Conditions</b>	Measurement views: Audio Spectrum
<b>Group</b>	Read commands
<b>Syntax</b>	READ:AUDio:SPECTrum:TRACe<x>?
<b>Arguments</b>	None
<b>Returns</b>	#<num_digit><num_byte><date(1)><data(2)> . . . <data(n)> Where <num_digit> is the number of digits in <num_byte>. <num_byte> is the number of bytes of data that follow. <data(n)> is the data value at the n <sup>th</sup> data point in percent (%), 4-byte little endian floating point format specified in IEEE.488.2.
<b>Examples</b>	READ:AUDio:SPECTrum:TRACe1? might return #516004xxxx . . . (16004 byte data) for the audio measurement.

## READ:AUDio:THDist:DB? (Query Only)

Returns the total harmonic distortion in dB in the audio measurement.

<b>Conditions</b>	Measurement views: Audio Summary
<b>Group</b>	Read commands
<b>Syntax</b>	READ:AUDio:THDist:DB?
<b>Related Commands</b>	<a href="#">READ:AUDio:THDist?</a>
<b>Arguments</b>	None
<b>Returns</b>	<value> ::= <NRf> specifies the total harmonic distortion in dB.
<b>Examples</b>	READ:AUDIO:THDIST:DB? might return -5.46009 indicating that the total harmonic distortion is -5.46 dB.

## READ:AUDio:THDist? (Query Only)

Returns the percentage of the total harmonic distortion in the audio measurement.

**Conditions** Measurement views: Audio Summary

**Group** Read commands

**Syntax** READ:AUDio:THDist?

**Related Commands** [READ:AUDio:THDist:DB?](#)

**Arguments** None

**Returns** <value> ::= <NRf> specifies the percentage of the total harmonic distortion.

**Examples** READ:AUDIO:THDIST? might return 53.332921 indicating the percentage of total harmonic distortion is 53.333%.

## READ:AUDio:TNHDist:DB? (Query Only)

Returns the total non-harmonic distortion in dB in the audio measurement.

**Conditions** Measurement views: Audio Summary

**Group** Read commands

**Syntax** READ:AUDio:TNHDist:DB?

**Related Commands** [READ:AUDio:TNHDist?](#)

**Arguments** None

**Returns** <value> ::= <NRf> specifies the total non-harmonic distortion in dB.

**Examples**     `READ:AUDIO:TNHDIST:DB?` might return 9.46009 indicating that the total harmonic distortion is 9.46 dB.

## READ:AUDio:TNHDist? (Query Only)

Returns the percentage of the total non-harmonic distortion in the audio measurement.

**Conditions**     Measurement views: Audio Summary

**Group**            Read commands

**Syntax**           `READ:AUDio:TNHDist?`

**Related Commands**     [READ:AUDio:TNHDist:DB?](#)

**Arguments**        None

**Returns**            `<value> ::= <NRf>` specifies the percentage of the total non-harmonic distortion.

**Examples**           `READ:AUDIO:TNHDIST?` might return 297.332921 indicating the percentage of total non-harmonic distortion is 297.333%.

## READ:AVTime:AVERage? (Query Only)

Returns the RMS (root-mean-square) value for the selected trace in the Amplitude versus Time measurement. Select the trace using the [TRACe<x>:AVTime:SElect](#) command.

**Conditions**        Measurement views: Amplitude versus Time

**Group**            Read commands

**Syntax**           `READ:AVTime:AVERage?`

**Arguments**        None



**Returns** <avg> :: <NRf> is the RMS amplitude in dBm.  
The unit can be changed by the [\[SENSe\]:POWer:UNITs](#) command.

**Examples** READ:AVTIME:AVERAGE? might return -2.53, indicating the RMS amplitude is -2.53 dBm.

## READ:AVTime:{FIRSt|SECOnd|THIRd|FOURth}? (Query Only)

Returns the trace data in the Amplitude versus Time measurement.

The mnemonics FIRSt, SECOnd, THIRd, and FOURth represent Trace 1, Trace 2, Trace 3, and Math trace, respectively. The traces can be specified by the TRACe<x>:AVTime command subgroup.

**Conditions** Measurement views: Amplitude versus Time

**Group** Read commands

**Syntax** READ:AVTime:{FIRSt|SECOnd|THIRd|FOURth}?

**Arguments** None

**Returns** #<num\_digit><num\_byte><data(1)><data(2)>...<data(n)>

Where

<num\_digit> is the number of digits in <num\_byte>.

<num\_byte> is the number of bytes of data that follow.

<data(n)> is the amplitude in dBm at the n<sup>th</sup> data point,

4-byte little endian floating-point format specified in IEEE 488.2.

The unit can be changed by the [\[SENSe\]:POWer:UNITs](#) command.

**Examples** READ:AVTIME:FIRST? might return #3156xxxx... (156-byte data) for Trace 1.

## READ:AVTime:MAXimum? (Query Only)

Returns the maximum value for the selected trace in the Amplitude versus Time measurement. Select the trace using the TRACe<x>:AVTime:SELEct command.

**Conditions** Measurement views: Amplitude versus Time

<b>Group</b>	Read commands
<b>Syntax</b>	READ:AVTime:MAXimum?
<b>Related Commands</b>	<a href="#">READ:AVTime:MAXLocation?</a>
<b>Arguments</b>	None
<b>Returns</b>	<max> :: <Nrf> is the maximum Amplitude in dBm. The unit can be changed by the <a href="#">[SENSE]:POWER:UNITs</a> command.
<b>Examples</b>	READ:AVTIME:MAXIMUM? might return -2.84, indicating the maximum amplitude is -2.84 dBm.

## READ:AVTime:MAXLocation? (Query Only)

Returns the time at which the amplitude is maximum for the selected trace in the Amplitude versus Time measurement. Select the trace using the [TRACe<x>:AVTime:SElect](#) command.

<b>Conditions</b>	Measurement views: Amplitude versus Time
<b>Group</b>	Read commands
<b>Syntax</b>	READ:AVTime:MAXLocation?
<b>Related Commands</b>	<a href="#">READ:AVTime:MAXimum?</a>
<b>Arguments</b>	None
<b>Returns</b>	<max_time> :: <Nrf> is the time at the maximum in seconds.
<b>Examples</b>	READ:AVTIME:MAXLOCATION? might return 25.03E-9, indicating the amplitude is maximum at 25.03 ns.

## READ:AVTime:MINimum? (Query Only)

Returns the minimum value for the selected trace in the Amplitude versus Time measurement. Select the trace using the [TRACe<x>:AVTime:SElect](#) command.

**Conditions** Measurement views: Amplitude versus Time

**Group** Read commands

**Syntax** READ:AVTime:MINimum?

**Related Commands** [READ:AVTime:MINLocation?](#)

**Arguments** None

**Returns** <min> :: <NRF> is the minimum amplitude in dBm.  
The unit can be changed by the [\[SENSe\]:POWer:UNITs](#) command.

**Examples** READ:AVTIME:MINIMUM? might return -57.64, indicating the minimum amplitude is -57.64 dBm.

## READ:AVTime:MINLocation? (Query Only)

Returns the time at which the amplitude is minimum for the selected trace in the Amplitude versus Time measurement. Select the trace using the [TRACe<x>:AVTime:SElect](#) command.

**Conditions** Measurement views: Amplitude versus Time

**Group** Read commands

**Syntax** READ:AVTime:MINLocation?

**Related Commands** [READ:AVTime:MINimum?](#)

**Arguments** None

**Returns** <min\_time> :: <NRF> is the time at the minimum in seconds.

**Examples** READ:AVTIME:MINLOCATION? might return 450.7E-9, indicating the amplitude is minimum at 450.7 ns.

## READ:AVTime:RESult? (Query Only)

Returns the measurement results for the selected trace in the Amplitude versus Time measurement. Select the trace using the [TRACe<x>:AVTime:SElect](#) command.

**Conditions** Measurement views: Amplitude versus Time

**Group** Read commands

**Syntax** READ:AVTime:RESult?

**Arguments** None

**Returns** <max>, <max\_time>, <min>, <min\_time>, <rms>

Where

<max> :: <NRF> is the maximum amplitude in dBm.

<max\_time> :: <NRF> is the time at the maximum in seconds.

<min> :: <NRF> is the minimum amplitude in dBm.

<min\_time> :: <NRF> is the time at the minimum in seconds.

<rms> :: <NRF> is the RMS amplitude in dBm.

The unit of amplitude can be changed by the [\[SENSE\]:POWER:UNITs](#) command.

**Examples** READ:AVTIME:RESULT? might return -2.68, 48.62E-6, -82.47, 22.11E-6, -8.24, indicating that the maximum amplitude is -2.68 dBm at 48.62  $\mu$ s, the minimum amplitude is -82.47 dBm at 22.11  $\mu$ s, and the RMS amplitude is -8.24 dBm.

## READ:CCDF? (Query Only)

Returns the CCDF measurement results.

**Conditions** Measurement views: CCDF

<b>Group</b>	Read commands
<b>Syntax</b>	READ:CCDF?
<b>Arguments</b>	None
<b>Returns</b>	<p>&lt;avg_amp1&gt;, &lt;avg_ccdf&gt;, &lt;crest_factor&gt;, &lt;amp1_10&gt;, &lt;amp1_1&gt;, &lt;amp1_p1&gt;, &lt;amp1_p01&gt;, &lt;amp1_p001&gt;, &lt;amp1_p0001&gt;</p> <p>Where</p> <p>&lt;avg_amp1&gt; is the average amplitude in dBm. The unit can be changed by the [SENSe]:POWer:UNITs command.</p> <p>&lt;avg_ccdf&gt; is the average CCDF in percent.</p> <p>&lt;crest_factor&gt; is the crest factor in dB.</p> <p>&lt;amp1_10&gt; is the amplitude at CCDF of 10% in dB.</p> <p>&lt;amp1_1&gt; is the amplitude at CCDF of 1% in dB.</p> <p>&lt;amp1_p1&gt; is the amplitude at CCDF of 0.1% in dB.</p> <p>&lt;amp1_p01&gt; is the amplitude at CCDF of 0.01% in dB.</p> <p>&lt;amp1_p001&gt; is the amplitude at CCDF of 0.001% in dB.</p> <p>&lt;amp1_p0001&gt; is the amplitude at CCDF of 0.0001% in dB.</p>
<b>Examples</b>	<p>READ:CCDF? might return</p> <p>-33.35, 35.8, 9.75, 3.88, 7.07, 8.50, 9.25, 9.72, 9.74, indicating</p> <p>(average amplitude) = -33.35 dBm,</p> <p>(average CCDF) = 35.8%,</p> <p>(crest factor) = 9.75 dB,</p> <p>(amplitude at CCDF of 10%) = 3.88 dB,</p> <p>(amplitude at CCDF of 1%) = 7.07 dB,</p> <p>(amplitude at CCDF of 0.1%) = 8.50 dB,</p> <p>(amplitude at CCDF of 0.01%) = 9.25 dB,</p> <p>(amplitude at CCDF of 0.001%) = 9.72 dB, and</p> <p>(amplitude at CCDF of 0.0001%) = 9.74 dB.</p>

## READ:CCDF:{FIRSt|SECond|THIRd}:X? (Query Only)

Returns the horizontal values of the specified trace in the CCDF measurement.

The mnemonics FIRSt, SECond, and THIRd represent Trace 1, Trace 2, and Gaussian reference curve, respectively.

---

**NOTE.** This query is invalid when [SENSe]:CCDF:TIME:TYPE is set to CONTinuous or TOTal.

---

<b>Conditions</b>	Measurement views: CCDF
<b>Group</b>	Read commands
<b>Syntax</b>	READ:CCDF:{FIRST SECond THIRd}:X?
<b>Related Commands</b>	<a href="#">READ:CCDF:{FIRST SECond THIRd}[:Y]?</a>
<b>Arguments</b>	None
<b>Returns</b>	#<num_digit><num_byte><x(1)><x(2)>...<x(n)> Where <num_digit> is the number of digits in <num_byte>. <num_byte> is the number of bytes of data that follow. <x(n)> is the horizontal value (dB) of the CCDF graph at the n <sup>th</sup> data point, 4-byte little endian floating-point format specified in IEEE 488.2.
<b>Examples</b>	READ:CCDF:FIRST:X might return #41024xxxx... (1024-byte data) for the horizontal values of Trace 1.

## READ:CCDF:{FIRST|SECond|THIRd}:XY? (Query Only)

Returns the horizontal and vertical value pairs of the specified trace in the CCDF measurement.

The mnemonics FIRSt, SECond, and THIRd represent Trace 1, Trace 2, and Gaussian reference curve, respectively.

---

**NOTE.** This query is invalid when [\[SENSe\]:CCDF:TIME:TYPE](#) is set to *CONTinuous* or *TOTal*.

---

<b>Conditions</b>	Measurement views: CCDF
<b>Group</b>	Read commands
<b>Syntax</b>	READ:CCDF:{FIRST SECond THIRd}:XY?
<b>Arguments</b>	None

**Returns** #<num\_digit><num\_byte><x(1)><y(1)><x(2)><y(2)>...<x(n)><y(n)>

Where

<num\_digit> is the number of digits in <num\_byte>.

<num\_byte> is the number of bytes of data that follow.

<x(n)><y(n)> is the horizontal value (dB) and vertical value (%) pair at the n<sup>th</sup> data point, 4-byte little endian floating-point format specified in IEEE 488.2.

**Examples** READ:CCDF:FIRST:XY? might return #41024xxxx... (1024-byte data) for the horizontal and vertical value pairs of Trace 1.

## READ:CCDF:{FIRSt|SECond|THIRd}[:Y]? (Query Only)

Returns the vertical values of the specified trace in the CCDF measurement.

The mnemonics FIRSt, SECond, and THIRd represent Trace 1, Trace 2, and Gaussian reference curve, respectively.

---

**NOTE.** This query is invalid when *[SENSE]:CCDF:TIME:TYPE* is set to *CONTinuous* or *TOTAL*.

---

**Conditions** Measurement views: CCDF

**Group** Read commands

**Syntax** READ:CCDF:{FIRSt|SECond|THIRd}[:Y]?

**Arguments** None

**Returns** #<num\_digit><num\_byte><y(1)><y(2)>...<y(n)>

Where

<num\_digit> is the number of digits in <num\_byte>.

<num\_byte> is the number of bytes of data that follow.

<y(n)> is the vertical value (%) of the CCDF graph at the n<sup>th</sup> data point, 4-byte little endian floating-point format specified in IEEE 488.2.

**Examples** READ:CCDF:FIRST:Y might return #41024xxxx... (1024-byte data) for the vertical values of Trace 1.

## READ:CONStE:FERRor? (Query Only)

Returns the frequency error in Hz. The frequency error is the difference between the measured carrier frequency of the signal and the user-selected center frequency of the analyzer.

**Group** Read commands

**Syntax** READ:CONStE:FERRor?

**Related Commands** [READ:EVM:FERRor?](#)

**Arguments** None.

**Returns** <freq\_error> :: <NRf> which is the frequency error in Hz.

**Examples** READ:CONStE:FERRor? might return -10.7E+3, which is a frequency error of -10.7 kHz.

## READ:CONStE:RESuLts? (Query Only)

Returns the constellation measurement results of EVM RMS, peak and location displayed on the bottom of the screen.

**Conditions** Measurement views: Constellation

**Group** Read commands

**Syntax** READ:CONStE:RESuLts?

**Arguments** None

**Returns** For modulation types 2|4|8|16FSK or C4FM:  
FSK\_deviation\_Avg\_Leftmost, FSK\_deviation\_Avg\_Rightmost  
Where  
FSK\_deviation\_Avg\_Leftmost is the average FSK deviation of the left-most symbol in Hz.



FSK\_deviation\_Avg\_Rightmost is the average FSK deviation of the right-most symbol in Hz.

For all other valid modulation types:

<EVM\_RMS>, <EVM\_peak>, <location>

Where

<EVM\_RMS> :: <NRf> is the RMS EVM in percent (%).

<EVM\_peak> :: <NRf> is the peak EVM in percent (%).

<location> :: <NRf> is the peak location in symbol number.

The time unit can be changed by the [SENSE]:DDEMod:TIME:UNITs command.

**Examples** READ:CONStE:RESUlTS? might return 2.841, 3.227, 68.000, indicating that the RMS EVM is 2.841% and the peak EVM is 3.227% at symbol #68.

## READ:CONStE:TRACe? (Query Only)

Returns the constellation trace data.

**Conditions** Measurement views: Constellation

**Group** Read commands

**Syntax** READ:CONStE:TRACe?

**Arguments** None

**Returns** #<num\_digit><num\_byte><I(1)><Q(1)><I(2)><Q(2)>...<I(n)><Q(n)>

Where

<num\_digit> is the number of digits in <num\_byte>.

<num\_byte> is the number of bytes of data that follow.

<I(n)> and <Q(n)> are the normalized I- and Q-coordinate values at the n<sup>th</sup> data point. 4-byte little endian floating-point format specified in IEEE 488.2.

**Examples** READ:CONStE:TRACe? might return #43848xxxx... (3848-byte data) for the constellation trace data.

## READ:DDEMod:STABLE? (Query Only)

Returns the symbol table data.

<b>Conditions</b>	Measurement views: Symbol table
<b>Group</b>	Read commands
<b>Syntax</b>	READ:DDEMod:STABLE?
<b>Arguments</b>	None
<b>Returns</b>	#<num_digit><num_byte><data(1)><data(2)>...<data(n)> Where <num_digit> is the number of digits in <num_byte>. <num_byte> is the number of bytes of data that follow. <data(n)> is the symbol table data for the point n, \4-byte little endian floating-point format specified in IEEE 488.2.
<b>Examples</b>	READ:DDEMOD:STABLE? might return #3512xxxx... (512-byte data) for the symbol table.

## READ:DIQVtime:FERRor? (Query Only)

Returns the frequency error in the Demod I&Q versus Time measurement.

<b>Conditions</b>	Measurement views: Demod I&Q versus Time
<b>Group</b>	Read commands
<b>Syntax</b>	READ:DIQVtime:FERRor?
<b>Arguments</b>	None
<b>Returns</b>	<freq_error> :: <NRf> is the frequency error in Hz.

**Examples** READ:DIQVTIME:FERROR? might return -10.7E+3, indicating the frequency error is -10.7 kHz.

## READ:DIQVtime:I? (Query Only)

Returns the I versus Time trace data.

**Conditions** Measurement views: Demod I&Q versus Time

**Group** Read commands

**Syntax** READ:DIQVtime:I?

**Arguments** None

**Returns** #<num\_digit><num\_byte><data(1)><data(2)>...<data(n)>

Where

<num\_digit> is the number of digits in <num\_byte>.

<num\_byte> is the number of bytes of data that follow.

<data(n)> is the I level in volts at the n<sup>th</sup> data point, 4-byte little endian floating-point format specified in IEEE 488.2.

**Examples** READ:DIQVTIME:I? might return #3160xxxx... (160-byte data) for the I versus Time trace.

## READ:DIQVtime:Q? (Query Only)

Returns the Q versus Time trace data.

**Conditions** Measurement views: Demod I&Q versus Time

**Group** Read commands

**Syntax** READ:DIQVtime:Q?

**Arguments** None

**Returns** #<num\_digit><num\_byte><data(1)><data(2)>...<data(n)>

Where

<num\_digit> is the number of digits in <num\_byte>.

<num\_byte> is the number of bytes of data that follow.

<data(n)> is the Q level in volts at the n<sup>th</sup> data point, 4-byte little endian floating-point format specified in IEEE 488.2.

**Examples** READ:DIQVTIME:Q? might return #3160xxxx... (160-byte data) for the Q versus Time trace.

## READ:DPX:DGRam:LINE:COUNT? (Query Only)

Returns the number of lines in the DPXogram measurement.

**Conditions** Measurement views: DPX spectrum

**Group** Read commands

**Syntax** READ:DPX:DGRam:LINE:COUNT?

**Arguments** None

**Returns** <NR1> number of lines in the measurement.

**Examples** READ:DPX:DGRAM:LINE:COUNT? might return 40 indicating that there were 40 lines in the measurement.

## READ:DPX:DGRam:TIME[:SCALE]:OFFSet? (Query Only)

Returns the time scale offset in the DPXogram measurement.

**Conditions** Measurement views: DPX spectrum

**Group** Read commands

**Syntax** READ:DPX:DGRam:TIME[:SCALE]:OFFSet?

<b>Arguments</b>	None
<b>Returns</b>	<string> The time offset in the DPXogram measurement in seconds.
<b>Examples</b>	READ:DPX:DGRAM:TIME[:SCALE]:OFFSET? might return "0.000 s" indicating that the time scale offset was 0.000 s.

## READ:DPX:RESuLts:TRACe<x>? (Query Only)

Acquires a waveform and then returns waveform data of the specified trace <x> in the DPX spectrum measurement, where x is 1 to 6. The traces 1–4 are in the standard form. Trace 5 is the bitmap trace and its data is returned in a binary block. Trace 6 is the DPXogram trace on DPX spectrum plots. Trace 7 is the Ogram line in the DPXogram display.

<b>Conditions</b>	Measurement views: DPX spectrum
<b>Group</b>	Read commands
<b>Syntax</b>	READ:DPX:RESuLts:TRACe<x>?
<b>Arguments</b>	<NR1>
<b>Returns</b>	<p>For traces 1 to 4 or 6:  #&lt;num_digit&gt;&lt;num_byte&gt;&lt;data(1)&gt;&lt;data(2)&gt;...&lt;data(n)&gt;</p> <p>Where  &lt;num_digit&gt; is the number of digits in &lt;num_byte&gt;.  &lt;num_byte&gt; is the number of bytes of data that follow.  &lt;data(n)&gt; is the amplitude of the trace sample at the n<sup>th</sup> data point.  &lt;data(n) is in the 4-byte little endian floating-point format specified in IEEE 488.2.</p> <p>For trace 5, the format differs depending on whether Option 200 is installed in the instrument.</p> <p>Without Option 200, the format is a binary block of unsigned 16 bit integers. Each value ranges from 0 to 2<sup>16</sup>-1, where 2<sup>16</sup>-1 represents 100%.</p> <p>With Option 200, the format is a binary block of 32 bit floating point values. Each value ranges from 0 to 1.0, where 1.0 represents 100%.</p>

**Examples** READ:DPX:RESULTS:TRACE1? might return #42004xxxx... (2004-byte of data) for the waveform data of trace one (1).

## READ:DPX:TRACe:AVERAge? (Query Only)

Acquires a waveform and then returns waveform data of the average trace in the DPX spectrum measurement.

**Conditions** Measurement views: DPX spectrum

**Group** Read commands

**Syntax** READ:DPX:TRACe:AVERAge?

**Arguments** None

**Returns** #<num\_digit><num\_byte><data(1)><data(2)>...<data(n)>

Where

<num\_digit> is the number of digits in <num\_byte>.

<num\_byte> is the number of bytes of data that follow.

<data(n)> is the waveform data of the average trace for the point n in dBm, 4-byte little endian floating-point format specified in IEEE 488.2.

The unit can be changed by the [\[SENSE\]:POWER:UNITs](#) command.

**Examples** READ:DPX:TRACE:AVERAGE? might return #42004xxxx... (2004-byte data) for the waveform data of the average trace.

## READ:DPX:TRACe:BITMap? (Query Only)

Acquires a waveform and then returns trace waveform data of the bitmap trace in the DPX spectrum measurement.

**Conditions** Measurement views: DPX spectrum

**Group** Read commands

**Syntax** READ:DPX:TRACe:BITMap?

<b>Arguments</b>	None
<b>Returns</b>	For trace 5, the format differs depending on whether Option 200 is installed in the instrument. Without Option 200, the format is a binary block of unsigned 16 bit integers. Each value ranges from 0 to $2^{16}-1$ , where $2^{16}-1$ represents 100%.  With Option 200, the format is a binary block of 32 bit floating point values. Each value ranges from 0 to 1.0, where 1.0 represents 100%.
<b>Examples</b>	<code>READ:DPX:TRACE:BITMAP?</code> might return <code>#42004xxxx...</code> (2004-byte data) for the waveform data of the bitmap trace.

## READ:DPX:TRACe:MATH? (Query Only)

Returns waveform data of the math trace in the DPX spectrum measurement.

<b>Conditions</b>	Measurement views: DPX spectrum
<b>Group</b>	Read commands
<b>Syntax</b>	<code>READ:DPX:TRACe:MATH?</code>
<b>Arguments</b>	None
<b>Returns</b>	<code>#&lt;num_digit&gt;&lt;num_byte&gt;&lt;data(1)&gt;&lt;data(2)&gt;...&lt;data(n)&gt;</code>  Where <code>&lt;num_digit&gt;</code> is the number of digits in <code>&lt;num_byte&gt;</code> . <code>&lt;num_byte&gt;</code> is the number of bytes of data that follow. <code>&lt;data(n)&gt;</code> is the waveform data of the math trace for the point n in dBm, 4-byte little endian floating-point format specified in IEEE 488.2. The unit can be changed by the <a href="#">[SENSe]:POWer:UNITs</a> command.
<b>Examples</b>	<code>READ:DPX:TRACE:MATH?</code> might return <code>#42004xxxx...</code> (2004-byte data) for the waveform data of the math trace.

## READ:DPX:TRACe:MAXimum? (Query Only)

Returns waveform data of the maximum trace in the DPX spectrum measurement.

<b>Conditions</b>	Measurement views: DPX spectrum
<b>Group</b>	Read commands
<b>Syntax</b>	READ:DPX:TRACe:MAXimum?
<b>Arguments</b>	None
<b>Returns</b>	#<num_digit><num_byte><data(1)><data(2)>...<data(n)> Where <num_digit> is the number of digits in <num_byte>. <num_byte> is the number of bytes of data that follow. <data(n)> is the waveform data of the maximum trace for the point n in dBm, 4-byte little endian floating-point format specified in IEEE 488.2. The unit can be changed by the [SENSE]:POWer:UNITs command.
<b>Examples</b>	READ:DPX:TRACe:MAXIMUM? might return #42004xxxx... (2004-byte data) for the waveform data of the maximum trace.

## READ:DPX:TRACe:MINimum? (Query Only)

Returns waveform data of the minimum trace in the DPX spectrum measurement.

<b>Conditions</b>	Measurement views: DPX spectrum
<b>Group</b>	Read commands
<b>Syntax</b>	READ:DPX:TRACe:MINimum?
<b>Arguments</b>	None
<b>Returns</b>	#<num_digit><num_byte><data(1)><data(2)>...<data(n)> Where <num_digit> is the number of digits in <num_byte>. <num_byte> is the number of bytes of data that follow. <data(n)> is the waveform data of the minimum trace for the point n in dBm. 4-byte little endian floating-point format specified in IEEE 488.2.



The unit can be changed by the [\[SENSe\]:POWer:UNITs](#) command.

**Examples** `READ:DPX:TRACE:MINIMUM?` might return `#42004xxxx...` (2004-byte data) for the waveform data of the minimum trace.

## READ:EDlagram:FDEVIation? (Query Only)

Returns the frequency deviation versus Time trace data with the X values.

**Group** Read commands

**Syntax** `READ:EDIagram:FDEVIation?`

### Related Commands

**Returns** `#<num_digit><num_byte><Y(1)><X(1)><Y(2)><X(2)>...<Y(n)><X(n)>`

Where

`<num_digit>` is the number of digits in `<num_byte>`.

`<num_byte>` is the number of bytes of data that follow.

`<Y(n)>` and `<X(n)>` is frequency deviation in Hz and time (symbols) pair at the  $n^{\text{th}}$  data point, 4-byte little endian floating-point format specified in IEEE 488.2.

**Examples** `READ:EDIAGRAM:FDEVIATION?` might return `#3160xxxx...` (160-byte data) for the frequency deviation versus Time trace.

## READ:EDlagram:FERRor? (Query Only)

Returns the frequency error in the eye diagram measurement.

**Conditions** Measurement views: Eye diagram

**Group** Read commands

**Syntax** `READ:EDIagram:FERRor?`

**Arguments** None

**Returns** <freq\_error> :: <Nrf> is the frequency error in Hz.

**Examples** READ:EDIAGRAM:FERROR? might return -10.7E+3, indicating the frequency error is -10.7 kHz.

## READ:EDIagram:I? (Query Only)

Returns the I versus Time trace data.

**Conditions** Measurement views: Eye diagram

**Group** Read commands

**Syntax** READ:EDIagram:I?

**Arguments** None

**Returns** #<num\_digit><num\_byte><data(1)><data(2)>...<data(n)>

Where

<num\_digit> is the number of digits in <num\_byte>.

<num\_byte> is the number of bytes of data that follow.

<Y(n)><X(n)> is the I level (normalized) and time (symbols) pair at the <sup>n</sup>th data point, 4-byte little endian floating-point format specified in IEEE 488.2.

**Examples** READ:EDIAGRAM:I? might return #3160xxxx... (160-byte data) for the I versus Time trace.

## READ:EDIagram:Q? (Query Only)

Returns the Q versus Time trace data.

**Conditions** Measurement views: Eye diagram

**Group** Read commands

**Syntax** READ:EDIagram:Q?

<b>Arguments</b>	None
<b>Returns</b>	#<num_digit><num_byte><data(1)><data(2)>...<data(n)> Where <num_digit> is the number of digits in <num_byte>. <num_byte> is the number of bytes of data that follow. <Y(n)><X(n)> is the Q level (normalized) and time (symbols) pair at the n <sup>th</sup> data point, 4-byte little endian floating-point format specified in IEEE 488.2.
<b>Examples</b>	READ:EDIAGRAM:Q? might return #3160xxxx... (160-byte data) for the Q versus Time trace.

## READ:EVM:FERRor? (Query Only)

Returns the frequency error in the EVM versus Time measurement.

<b>Conditions</b>	Measurement views: EVM versus Time
<b>Group</b>	Read commands
<b>Syntax</b>	READ:EVM:FERRor?
<b>Arguments</b>	None
<b>Returns</b>	<freq_error> :: <Nrf> is the frequency error in Hz.
<b>Examples</b>	READ:EVM:FERRor? might return -10.7E+3, indicating the frequency error is -10.7 kHz.

## READ:EVM:PEAK? (Query Only)

Returns the peak value in the EVM versus Time measurement.

<b>Conditions</b>	Measurement views: EVM versus Time
<b>Group</b>	Read commands

**Syntax** READ:EVM:PEAK?

**Related Commands** [READ:EVM:PINdex?](#)

**Arguments** None

**Returns** <peak> :: <NRf> is the peak EVM value in percent (%).

**Examples** READ:EVM:PEAK? might return 1.32, indicating the peak EVM value is 1.32%.

## READ:EVM:PINdex? (Query Only)

Returns the time at the EVM peak.

**Conditions** Measurement views: EVM versus Time

**Group** Read commands

**Syntax** READ:EVM:PINdex?

**Related Commands** [READ:EVM:PEAK?](#)

**Arguments** None

**Returns** <peak\_time> :: <NRf> is the time at the EVM peak in symbol number. The unit can be changed by the [\[SENSE\]:DDEMod:TIME:UNITs](#) command.

**Examples** READ:EVM:PINDEX? might return 68.000, indicating that the EVM peak is at symbol #68.

## READ:EVM:RMS? (Query Only)

Returns the RMS (Root-Mean-Square) value in the EVM versus Time measurement.

**Conditions** Measurement views: EVM versus Time

---

<b>Group</b>	Read commands
<b>Syntax</b>	READ:EVM:RMS?
<b>Arguments</b>	None
<b>Returns</b>	<rms> :: <NRf> is the RMS EVM value in percent (%).
<b>Examples</b>	READ:EVM:RMS? might return 0.582, indicating the RMS EVM value is 0.582%.

## READ:EVM:TRACe? (Query Only)

Returns the EVM versus Time trace data.

<b>Conditions</b>	Measurement views: EVM versus Time
<b>Group</b>	Read commands
<b>Syntax</b>	READ:EVM:TRACe?
<b>Arguments</b>	None
<b>Returns</b>	#<num_digit><num_byte><data(1)><data(2)>...<data(n)> Where <num_digit> is the number of digits in <num_byte>. <num_byte> is the number of bytes of data that follow. <data(n)> is the EVM versus Time trace data for the point n in percent (%), 4-byte little endian floating-point format specified in IEEE 488.2.
<b>Examples</b>	READ:EVM:TRACE? might return #42036xxxx... (2036-byte data) for the EVM versus Time trace.

## READ:FSETtling:ERRor? (Query Only)

Returns the settled error in Hz in Frequency Settling. Only for Frequency Settling Time measurement. In Frequency Settling:

- When Target Reference is set to Auto, Settled Error = 0.

**Conditions** Measurement views: Frequency Settling

**Group** Fetch commands

**Syntax** READ:FSETtling:ERRor?

**Arguments** None

**Returns** <value> :: <NRF> returns the settled error in Hz.  
When Target Reference is set to Auto, Settled Error = 0.

When Target Reference is set to Meas Freq:

$$\text{Settled Error} = \text{Settled Frequency} - (\text{Measurement Frequency} + \text{Offset})$$

**Examples** FETCH:FSETTLING:FTIME? might return 0, indicating the Target Reference is set to Auto.

## READ:{FSETtling|PSETtling}:FTTime? (Query Only)

Returns the settling time from the trigger position in seconds. The settling time is measured from the trigger point (see :FETCh:FSETtling:TRIGger:TIME).

**Conditions** Measurement views: Frequency and Phase Settling

**Group** Fetch commands

**Syntax** READ:{FSETtling|PSETtling}:FTTime?

**Arguments** None

**Returns** <value> :: <NRF> is the settling time in seconds.

**Examples**    `FETCH:FSETTLING:FTTIME?` might return `44.8300E-6`, indicating the settling time is 44.83  $\mu$ s.

## **READ:{FSETtling|PSETtling}:MASK[:PASS]? (Query Only)**

Returns whether the input signal passes the mask test.

**Conditions**    Measurement views: Frequency and Phase Settling

**Group**        Fetch commands

**Syntax**       `READ:{FSETtling|PSETtling}:MASK[:PASS]?`

**Arguments**    None

**Returns**       0 is returned if the signal fails the mask test.  
1 is returned if the signal passes the mask test.

**Examples**    `FETCH:FSETTLING:MASK:PASS?` might return `1`, indicating the signal passed (did not exceed the mask limits).

## **READ:{FSETtling|PSETtling}:SETTled[:PASS]? (Query Only)**

Returns whether the input signal is settled with the tolerance range.

**Conditions**    Measurement views: Frequency and Phase Settling

**Group**        Fetch commands

**Syntax**       `READ:{FSETtling|PSETtling}:SETTled[:PASS]?`

**Arguments**    None

**Returns**       0 is returned if the signal is not settled within the tolerance range.  
1 is returned if the signal is settled within the tolerance range.

**Examples**      `FETCH:FSETTLING:SETTLED:PASS?` might return 1, indicating the signal is settled within the tolerance range.

## **READ:{FSETtling|PSETtling}:SETTled:FREQuency? (Query Only)**

Returns the frequency at which the signal is considered settled.

**Conditions**      Measurement views: Frequency and Phase Settling

**Group**            Fetch commands

**Syntax**           `READ:{FSETtling|PSETtling}:SETTled:FREQuency?`

**Arguments**      None

**Returns**          `<value> :: <Nrf>` is the frequency at which the signal is settled.

**Examples**      `FETCH:FSETTLING:SETTLED:FREQUENCY?` might return `2.44838E+9`, indicating the input signal frequency at the point where the signal is considered settled is 2.44838 GHz.

## **READ:{FSETtling|PSETtling}:SETTled:TIME? (Query Only)**

Returns the settled time in seconds. The settled time is measured from the measurement start point.

**Conditions**      Measurement views: Frequency and Phase Settling

**Group**            Fetch commands

**Syntax**           `READ:{FSETtling|PSETtling}:SETTled:TIME?`

**Arguments**      None

**Returns**          `<value> :: <Nrf>` is the settled time in seconds.



**Examples**     `FETCH:FSETTLING:SETTLED:TIME?` might return `299.830000E-6`, indicating the settled time is 299.83  $\mu$ s.

## **READ:{FSETtling|PSETtling}:SLMSd[:PASS]? (Query Only)**

Returns whether the input signal is settled within the specified tolerance and the signal is settled longer than the Minimum Settled Duration (`[SENSe]:{FSETtling|PSETtling}:SDURation:MINimum`).

**Conditions**     Measurement views: Frequency and Phase Settling

**Group**     Fetch commands

**Syntax**     `READ:{FSETtling|PSETtling}:SLMSd[:PASS]?`

**Arguments**     None

**Returns**     0 is returned if the signal is not settled within the tolerance range and minimum settled duration..  
1 is returned if the signal is settled within the tolerance range and minimum settled duration.

**Examples**     `FETCH:FSETTLING:SLMSD:PASS?` might return 1, indicating the signal is settled within the tolerance range and the minimum settled duration.

## **READ:{FSETtling|PSETtling}:START:TIME? (Query Only)**

Returns the start time for the measurement in seconds. The start time is measured from the start of the analysis period.

**Conditions**     Measurement views: Frequency and Phase Settling

**Group**     Fetch commands

**Syntax**     `READ:{FSETtling|PSETtling}:START:TIME?`

**Arguments**     None

**Returns** <value> :: <Nrf> is the time in seconds when the measurement started.

**Examples** FETCH:FSETTLING:START:TIME? might return 251.4300E-6, indicating the measurement started 251.43  $\mu$ s after the beginning of the analysis period.

## READ:{FSETtling|PSETtling}:TIME? (Query Only)

Returns the settling time in seconds. The settling time is measured from the start time (see :FETCh:FSETtling:STARt:TIME).

**Conditions** Measurement views: Frequency and Phase Settling

**Group** Fetch commands

**Syntax** READ:{FSETtling|PSETtling}:TIME?

**Arguments** None

**Returns** <value> :: <Nrf> is the settling time in seconds.

**Examples** FETCH:FSETTLING:TIME? might return 48.4000E-6, indicating the settling time is 48.4  $\mu$ s.

## READ:{FSETtling|PSETtling}:TRACe<x>:X? (Query Only)

Returns the Frequency or Phase values of the specified trace.

The parameter <x> = 1 and 2, representing Trace 1 and Trace 2, respectively.

**Conditions** Measurement views: Frequency and Phase Settling

**Group** Fetch commands

**Syntax** READ:{FSETtling|PSETtling}:TRACe<x>:X?

**Arguments** None

**Returns** #<num\_digit><num\_byte><y(1)><y(2)>...<y(n)>

Where

<num\_digit> is the number of digits in <num\_byte>.

<num\_byte> is the number of bytes of data that follow.

<y(n)> is the frequency (Hz) or phase (degrees) at the n<sup>th</sup> data point, 4-byte little endian floating-point format specified in IEEE 488.2.

**Examples** FETCH:FSETTLING:TRACE1:X? might return #574232xxxx... (74232-byte data) for the frequency values of Trace 1.

## READ:{FSETtling|PSETtling}:TRACe<x>:XY? (Query Only)

Returns the time and frequency or phase value pairs of the specified trace.

The parameter <x> = 1 and 2, representing Trace 1 and Trace 2, respectively.

**Conditions** Measurement views: Frequency and Phase Settling

**Group** Fetch commands

**Syntax** READ:{FSETtling|PSETtling}:TRACe<x>:XY?

**Arguments** None

**Returns** #<num\_digit><num\_byte><x(1)><y(1)><x(2)><y(2)>...<x(n)><y(n)>

Where

<num\_digit> is the number of digits in <num\_byte>.

<num\_byte> is the number of bytes of data that follow.

<x(n)><y(n)> is the time and frequency or phase value pair at the n<sup>th</sup> data point, 4-byte little endian floating-point format specified in IEEE 488.2.

**Examples** FETCH:FSETTLING:TRACE2:XY? might return #574232xxxx... (74232-byte data) for the time and frequency pairs of the Trace 2.

## READ:{FSETtling|PSETtling}:TRACe<x>[:Y]? (Query Only)

Returns the frequency or phase values of the specified trace.

The parameter <x> = 1 and 2, representing Trace 1 and Trace 2, respectively.

<b>Conditions</b>	Measurement views: Frequency and Phase Settling
<b>Group</b>	Fetch commands
<b>Syntax</b>	READ:{FSETtling PSETtling}:TRACe<x>[:Y]?
<b>Arguments</b>	None
<b>Returns</b>	#<num_digit><num_byte><y(1)><y(2)>...<y(n)> Where <num_digit> is the number of digits in <num_byte>. <num_byte> is the number of bytes of data that follow. <y(n)> is the frequency or phase value at the n <sup>th</sup> data point, 4-byte little endian floating-point format specified in IEEE 488.2.
<b>Examples</b>	FETCH:FSETTLING:TRACE1:Y? might return #575148xxxx... (75148-byte data) for the frequency values of Trace 1.

## READ:{FSETtling|PSETtling}:TRIGger:TIME? (Query Only)

Returns the time when the trigger occurred in seconds.

<b>Conditions</b>	Measurement views: Frequency and Phase Settling
<b>Group</b>	Fetch commands
<b>Syntax</b>	READ:{FSETtling PSETtling}:TRIGger:TIME?
<b>Arguments</b>	None
<b>Returns</b>	<value> :: <nrf> is the time in seconds after the measurement start point when the trigger occurred.
<b>Examples</b>	FETCH:FSETTLING:TRIGGER:TIME? might return 2.255E-6, indicating the time when the trigger occurred 255 µs after the start of the measurement.

## READ:{FSETtling|PSETtling}:VALue? (Query Only)

Returns the settled value in Hz for Frequency Settling and in degrees for Phase Settling.

**Conditions** Measurement views: Frequency and Phase Settling

**Group** Fetch commands

**Syntax** READ:{FSETtling|PSETtling}:VALue?

**Arguments** None

**Returns** <value> :: <NRf> is the settling value in Hz for Frequency Settling and in degrees for Phase Settling.

**Examples** FETCH:FSETTLING:VALUE? might return 2.44838155E+9, indicating the settled frequency is 2.44838 GHz.

## READ:FDVTime:FERRor? (Query Only)

Returns the frequency error in the Frequency deviation versus Time measurement.

**Conditions** Measurement views: Frequency deviation versus Time

**Group** Read commands

**Syntax** READ:FDVTime:FERRor?

**Arguments** None

**Returns** <freq\_error> :: <NRf> is the frequency error in Hz.

**Examples** READ:FDVTIME:FERROR? might return -10.7E+3, indicating the frequency error is -10.7 kHz.

## READ:FDVTime:TRACe? (Query Only)

Returns the Frequency deviation versus Time trace data.

<b>Conditions</b>	Measurement views: Frequency deviation versus Time
<b>Group</b>	Read commands
<b>Syntax</b>	READ:FDVTime:TRACe?
<b>Arguments</b>	None
<b>Returns</b>	#<num_digit><num_byte><data(1)><data(2)>...<data(n)> Where <num_digit> is the number of digits in <num_byte>. <num_byte> is the number of bytes of data that follow. <data(n)> is the frequency deviation in Hz at the n <sup>th</sup> data point, 4-byte little endian floating-point format specified in IEEE 488.2.
<b>Examples</b>	READ:FDVTIME:TRACE? might return #3160xxx... (160-byte data) for the Frequency deviation versus Time trace.

## READ:{FM|PM}:FERRor? (Query Only)

Returns the frequency error in the Frequency modulation and Phase modulation measurements.

<b>Conditions</b>	Measurement views: Frequency and Phase modulation
<b>Group</b>	Read commands
<b>Syntax</b>	READ:{FM PM}:FERRor?
<b>Arguments</b>	None
<b>Returns</b>	<freq_error> :: <NRF> is the frequency error in Hz.

**Examples** READ:FM:FERRor? might return  $-10.7E+3$ , indicating the frequency error is -10.7 kHz.

## READ:FM:PHALf? (Query Only)

Returns the half peak-peak frequency deviation (Pk-Pk/2) in the FM measurement.

**Conditions** Measurement views: Frequency deviation versus Time

**Group** Read commands

**Syntax** READ:FM:PHALf?

**Arguments** None

**Returns** <Pk-Pk/2> :: <NRf> is the half peak-peak frequency deviation in Hz.

**Examples** READ:FM:PHALF? might return  $628.9E+3$ , indicating the half peak-peak frequency deviation is 628.9 kHz.

## READ:FM:PNEGative? (Query Only)

Returns the negative peak frequency deviation (-Pk) in the FM measurement.

**Conditions** Measurement views: FM

**Group** Read commands

**Syntax** READ:FM:PNEGative?

**Arguments** None

**Returns** <-Pk> :: <NRf> is the negative peak frequency deviation in Hz.

**Examples** READ:FM:PNEGATIVE? might return  $-495.6E+3$ , indicating the negative peak frequency deviation is -495.6 kHz.

## READ:FM:PPOSitive? (Query Only)

Returns the positive peak frequency deviation (+Pk) in the FM measurement.

<b>Conditions</b>	Measurement views: FM
<b>Group</b>	Read commands
<b>Syntax</b>	READ:FM:PPOSitive?
<b>Arguments</b>	None
<b>Returns</b>	<+Pk> :: <NRF> is the positive peak frequency deviation in Hz.
<b>Examples</b>	READ:FM:PPOSITIVE? might return 763.2E+3, indicating the positive peak frequency deviation is 763.2 kHz.

## READ:FM:PTPeak? (Query Only)

Returns the peak-peak frequency deviation (Pk-Pk) in the FM measurement.

<b>Conditions</b>	Measurement views: FM
<b>Group</b>	Read commands
<b>Syntax</b>	READ:FM:PTPeak?
<b>Arguments</b>	None
<b>Returns</b>	<Pk-Pk> :: <NRF> is the peak-peak frequency deviation in Hz.
<b>Examples</b>	READ:FM:PTPEAK? might return 1.258E+6, indicating the peak-peak frequency deviation is 1.258 MHz.



## READ:FM:RESult? (Query Only)

Returns the FM measurement results.

**Conditions** Measurement views: FM

**Group** Read commands

**Syntax** READ:FM:RESult?

**Arguments** None

**Returns** <+Pk> , <-Pk> , <RMS> , <Pk-Pk> , <Pk-Pk/2>

Where

<+Pk> :: <NRf> is the positive peak frequency deviation in Hz.

<-Pk> :: <NRf> is the negative peak frequency deviation in Hz.

<RMS> :: <NRf> is the RMS frequency deviation in Hz.

<Pk-Pk> :: <NRf> is the peak-peak frequency deviation in Hz.

<Pk-Pk/2> :: <NRf> is the half peak-peak frequency deviation in Hz.

**Examples** READ:FM:RESULT? might return  
763.2E+3, -494.6E+3, 271.2E+3, 1.258E+6, 628.9E+3.

## READ:FM:RMS? (Query Only)

Returns the RMS frequency deviation in the FM measurement.

**Conditions** Measurement views: FM

**Group** Read commands

**Syntax** READ:FM:RMS?

**Arguments** None

**Returns** <RMS> :: <NRf> is the RMS frequency deviation in Hz.

**Examples**    `READ:FM:RMS?` might return `271.2E+3`, indicating the RMS frequency deviation is 271.2 kHz.

## READ:FVTime? (Query Only)

Returns the Frequency versus Time trace data.

**Conditions**    Measurement views: Frequency versus Time

**Group**        Read commands

**Syntax**        `READ:FVTime?`

**Arguments**    None

**Returns**        `#<num_digit><num_byte><data(1)><data(2)>...<data(n)>`

Where

`<num_digit>` is the number of digits in `<num_byte>`.

`<num_byte>` is the number of bytes of data that follow.

`<data(n)>` is the frequency drift data for the point `n` in Hz, 4-byte little endian floating-point format specified in IEEE 488.2.

**Examples**    `READ:FVTIME?` might return `#3156xxxx...` (156-byte data) for the Frequency versus Time trace.

## READ:FVTime:MAXimum? (Query Only)

Returns the maximum value in the Frequency versus Time measurement.

**Conditions**    Measurement views: Frequency versus Time

**Group**        Read commands

**Syntax**        `READ:FVTime:MAXimum? imum`

**Related Commands**    [READ:FVTime:MAXLocation?](#)

<b>Arguments</b>	None
<b>Returns</b>	<max> :: <Nrf> is the maximum frequency drift in Hz.
<b>Examples</b>	READ:FVTIME:MAXIMUM? might return 2.625E+6, indicating the maximum frequency drift is 2.625 MHz.

## READ:FVTime:MAXLocation? (Query Only)

Returns the time at which the frequency drift is maximum.

<b>Conditions</b>	Measurement views: Frequency versus Time
<b>Group</b>	Read commands
<b>Syntax</b>	READ:FVTime:MAXLocation?

**Related Commands** [READ:FVTime:MAXimum?](#)

<b>Arguments</b>	None
<b>Returns</b>	<max_time> :: <Nrf> is the time in seconds at which the frequency drift is maximum.
<b>Examples</b>	READ:FVTIME:MAXLOCATION? might return 25.03E-9, indicating the frequency drift is maximum at 25.03 ns.

## READ:FVTime:MINimum? (Query Only)

Returns the minimum value in the Frequency versus Time measurement.

<b>Conditions</b>	Measurement views: Frequency versus Time
<b>Group</b>	Read commands
<b>Syntax</b>	READ:FVTime:MINimum?

<b>Related Commands</b>	<a href="#">READ:FVTime:MINLocation?</a>
<b>Arguments</b>	None
<b>Returns</b>	<min> :: <Nrf> is the minimum frequency drift in Hz.
<b>Examples</b>	READ:FVTIME:MINIMUM? might return -6.618E+6, indicating the minimum frequency drift is -6.618 MHz.

## READ:FVTime:MINLocation? (Query Only)

Returns the time at which the frequency drift is minimum.

<b>Conditions</b>	Measurement views: Frequency versus Time
<b>Group</b>	Read commands
<b>Syntax</b>	READ:FVTime:MINLocation?
<b>Related Commands</b>	<a href="#">READ:FVTime:MINimum?</a>
<b>Arguments</b>	None
<b>Returns</b>	<min_time> :: <Nrf> is the time in seconds at which the frequency drift is minimum.
<b>Examples</b>	READ:FVTIME:MINLOCATION? might return 450.7E-9, indicating the frequency drift is minimum at 450.7 ns.

## READ:FVTime:RESult? (Query Only)

Returns the Frequency versus Time measurement results.

<b>Conditions</b>	Measurement views: Frequency versus Time
<b>Group</b>	Read commands

<b>Syntax</b>	READ:FVTime:RESult?
<b>Arguments</b>	None
<b>Returns</b>	<max>,<max_time>,<min>,<min_time> Where <max> :: <Nrf> is the maximum frequency drift in Hz. <max_time> :: <Nrf> is the time in seconds at which the frequency drift is maximum. <min> :: <Nrf> is the minimum frequency drift in Hz. <min_time> :: <Nrf> is the time in seconds at which the frequency drift is minimum.
<b>Examples</b>	READ:FVTIME:RESULT? might return 2.625E+6,25.03E-9,-6.618E+6,450.7E-9, indicating the maximum frequency drift is 2.625 MHz at 25.03 ns and the minimum frequency drift is -6.618 MHz at 450.7 ns.

## READ:IQVTime:I? (Query Only)

Returns the I versus Time trace data.

<b>Conditions</b>	Measurement views: RF I&Q versus Time
<b>Group</b>	Read commands
<b>Syntax</b>	READ:IQVTime:I?
<b>Arguments</b>	None
<b>Returns</b>	#<num_digit><num_byte><data(1)><data(2)>...<data(n)> Where <num_digit> is the number of digits in <num_byte>. <num_byte> is the number of bytes of data that follow. <data(n)> is the I level data for the point n in volts, 4-byte little endian floating-point format specified in IEEE 488.2.

**Examples**    `READ:IQVTIME:I?` might return `#3160xxxx...` (160-byte data) for the I versus Time trace.

## **READ:IQVTime:MAXimum? (Query Only)**

Returns the maximum value in the RF I&Q versus Time measurement.

**Conditions**    Measurement views: RF I&Q versus Time

**Group**        Read commands

**Syntax**       `READ:IQVTime:MAXimum? imum`

**Related Commands**    [READ:IQVTime:MAXLocation?](#)

**Arguments**    None

**Returns**       `<max> :: <Nrf>` is the maximum I or Q level in volts.

**Examples**       `READ:IQVTIME:MAXIMUM?` might return `1.214`, indicating the maximum I or Q level is 1.214 V.

## **READ:IQVTime:MAXLocation? (Query Only)**

Returns the time at which the I or Q level is maximum.

**Conditions**    Measurement views: RF I&Q versus Time

**Group**        Read commands

**Syntax**       `READ:IQVTime:MAXLocation?`

**Related Commands**    [READ:IQVTime:MAXimum?](#)

**Arguments**    None

**Returns** <max\_time> :: <Nrf> is the time in seconds at which the I or Q level is maximum.

**Examples** READ:IQVTIME:MAXLOCATION? might return 175.3E-9, indicating the I or Q level is maximum at 175.3 ns.

## READ:IQVTime:MINimum? (Query Only)

Returns the minimum value in the RF I&Q versus Time measurement.

**Conditions** Measurement views: RF I&Q versus Time

**Group** Read commands

**Syntax** READ:IQVTime:MINimum?

**Related Commands** [READ:IQVTime:MINLocation?](#)

**Arguments** None

**Returns** <min> :: <Nrf> is the minimum I or Q level in volts.

**Examples** READ:IQVTIME:MINIMUM? might return -370.5E-3, indicating the minimum I or Q level is -370.5 mV.

## READ:IQVTime:MINLocation? (Query Only)

Returns the time at which the I or Q level is minimum.

**Conditions** Measurement views: RF I&Q versus Time

**Group** Read commands

**Syntax** READ:IQVTime:MINLocation?

**Related Commands** [READ:IQVTime:MINimum?](#)

<b>Arguments</b>	None
<b>Returns</b>	<min_time> :: <NRF> is the time in seconds at which the I or Q level is minimum.
<b>Examples</b>	READ:IQVTIME:MINLOCATION? might return 450.7E-9, indicating the I or Q level is minimum at 450.7 ns.

## READ:IQVTime:Q? (Query Only)

Returns the Q versus Time trace data.

<b>Conditions</b>	Measurement views: IQ versus Time
<b>Group</b>	Read commands
<b>Syntax</b>	READ:IQVTime:Q?
<b>Arguments</b>	None
<b>Returns</b>	#<num_digit><num_byte><data(1)><data(2)>...<data(n)> Where <num_digit> is the number of digits in <num_byte>. <num_byte> is the number of bytes of data that follow. <data(n)> is the Q level data for the point n in volts, 4-byte little endian floating-point format specified in IEEE 488.2.
<b>Examples</b>	READ:IQVTIME:Q? might return #3160xxxx... (160-byte data) for the Q versus Time trace.

## READ:IQVTime:RESult? (Query Only)

Returns the RF I&Q versus Time measurement results.

<b>Conditions</b>	Measurement views: RF I&Q versus Time
<b>Group</b>	Read commands



<b>Syntax</b>	READ:IQVTime:RESUlt?
<b>Arguments</b>	None
<b>Returns</b>	<max>,<max_time>,<min>,<min_time> Where <max> :: <Nrf> is the maximum I or Q level in volts. <max_time> :: <Nrf> is the time in seconds at which the I or Q level is maximum. <min> :: <Nrf> is the minimum I or Q level in volts. <min_time> :: <Nrf> is the time in seconds at which the I or Q level is minimum.
<b>Examples</b>	READ:IQVTIME:RESULT? might return 1.214,175.3E-9,-370.5E-3,450.7E-9, indicating the maximum I or Q level is 1.214 V at 175.3 ns and the minimum I or Q level is -370.5 mV at 450.7 ns.

## READ:MCPower:ADJacent:CHANnels? (Query Only)

Returns the power of adjacent channels in order of increasing frequency.

<b>Conditions</b>	Measurement views: MCPR
<b>Group</b>	Read commands
<b>Syntax</b>	READ:MCPower:ADJacent:CHANnels?
<b>Arguments</b>	None
<b>Returns</b>	<acpr_lower(n)>,...<acpr_lower(2)>,<acpr_lower(1)>, <acpr_upper(1)>,<acpr_upper(2)>,...<acpr_upper(n)> Where <acpr_lower(n)> is the ACPR for the lower channel #n in dB. <acpr_upper(n)> is the ACPR for the upper channel #n in dB. To add a pair of upper and lower adjacent channels, use the <a href="#">[SENSe]:MCPower:CHANnel:ADJacent:ADD</a> command.

**Examples** READ:MCPOWER:ADJACENT:CHANNELS? might return -4.420, -4.847, -4.316, -4.225, indicating (ACPR for the lower channel 2) = -4.420 dB, (ACPR for the lower channel 1) = -4.847 dB, (ACPR for the upper channel 1) = -4.316 dB, and (ACPR for the upper channel 2) = -4.225 dB.

## READ:MCPower:CHANnel:POWer? (Query Only)

Returns the reference power in the MCPR measurement.

**Conditions** Measurement views: MCPR

**Group** Read commands

**Syntax** READ:MCPower:CHANnel:POWer?

**Arguments** None

**Returns** <ref\_power>: <NRF> is the reference power in dBm. The unit can be changed by the [SENSE]:POWer:UNITs command. To select the power reference, use the [SENSE]:MCPower:RCHannels commands.

**Examples** READ:MCPOWER:CHANNEL:POWER? might return 4.227, indicating that the reference power is 4.227 dBm.

## READ:MCPower:MAIN:CHANnels? (Query Only)

Returns the power of main channels in order of increasing frequency.

**Conditions** Measurement views: MCPR

**Group** Read commands

**Syntax** READ:MCPower:MAIN:CHANnels?

**Related Commands** [:SENSE]:MCPower:CHANnel:MAIN commands

<b>Arguments</b>	None
<b>Returns</b>	<p>&lt;power_main(1)&gt;, &lt;power_main(2)&gt;, ... &lt;power_main(n)&gt;</p> <p>Where          &lt;power_main(n)&gt; is the power of main channel #n in dBm.          The unit can be changed by the <a href="#">[SENSe]:POWer:UNITs</a> command.</p> <p>To specify the main channels, use the <a href="#">[SENSe]:MCPower:CHANnel:MAIN</a> commands.</p>
<b>Examples</b>	<p>READ:MCPOWER:MAIN:CHANNELS? might return          -2.420, -2.847, -2.316, -2.225, indicating          (power of the main channel 1) = -2.420 dBm,          (power of the main channel 2) = -2.847 dBm,          (power of the main channel 3) = -2.316 dBm, and          (power of the main channel 4) = -2.225 dBm.</p>

## READ:MCPower:SPECTrum? (Query Only)

Returns spectrum trace data of the MCPR measurement.

<b>Conditions</b>	Measurement views: MCPR
<b>Group</b>	Read commands
<b>Syntax</b>	READ:MCPower:SPECTrum?
<b>Arguments</b>	None
<b>Returns</b>	<p>#&lt;num_digit&gt;&lt;num_byte&gt;&lt;data(1)&gt;&lt;data(2)&gt;...&lt;data(n)&gt;</p> <p>Where          &lt;num_digit&gt; is the number of digits in &lt;num_byte&gt;.          &lt;num_byte&gt; is the number of bytes of data that follow.          &lt;data(n)&gt; is the spectrum trace data in dBm for the point n,          4-byte little endian floating-point format specified in IEEE 488.2.          The unit can be changed by the <a href="#">[SENSe]:POWer:UNITs</a> command.</p>
<b>Examples</b>	<p>READ:MCPOWER:SPECTRUM? might return #43204xxxx... (3204-byte data) for the spectrum trace data of the MCPR measurement.</p>

## READ:MERRor:FERRor? (Query Only)

Returns the frequency error in the Magnitude error versus Time measurement.

**Conditions** Measurement views: Magnitude error versus Time

**Group** Read commands

**Syntax** READ:MERRor:FERRor?

**Arguments** None

**Returns** <freq\_error> :: <NRf> is the frequency error in Hz.

**Examples** READ:MERRor:FERRor? might return -10.7E+3, indicating the frequency error is -10.7 kHz.

## READ:MERRor:PEAK? (Query Only)

Returns the peak value in the Magnitude error versus Time measurement.

**Conditions** Measurement views: Magnitude error versus Time

**Group** Read commands

**Syntax** READ:MERRor:PEAK?

**Related Commands** [READ:MERRor:PINDEX?](#)

**Arguments** None

**Returns** <peak> :: <NRf> is the peak magnitude error in percent (%).

**Examples** READ:MERRor:PEAK? might return 1.57, indicating the peak magnitude error is 1.57%.

## READ:MERRor:PINdex? (Query Only)

Returns the time at the magnitude error peak.

**Conditions** Measurement views: Magnitude error versus Time

**Group** Read commands

**Syntax** READ:MERRor:PINdex?

**Related Commands** [READ:MERRor:PEAK?](#)

**Arguments** None

**Returns** <peak\_time> :: <NRf> is the time at the magnitude error peak in symbol number. The unit can be changed by the [\[SENSe\]:DDEMod:TIME:UNITs](#) command.

**Examples** READ:MERRor:PINdex? might return 68.000, indicating that the magnitude error peak is at symbol #68.

## READ:MERRor:RMS? (Query Only)

Returns the RMS (Root-Mean-Square) value in the Magnitude error versus Time measurement.

**Conditions** Measurement views: Magnitude error versus Time

**Group** Read commands

**Syntax** READ:MERRor:RMS?

**Arguments** None

**Returns** <rms> :: <NRf> is the RMS magnitude error in percent (%).

**Examples** READ:MERROR:RMS? might return 0.382, indicating the magnitude error is 0.382% RMS.

## READ:MERRor:TRACe? (Query Only)

Returns the Magnitude error versus Time trace data.

**Conditions** Measurement views: Magnitude error versus Time

**Group** Read commands

**Syntax** READ:MERRor:TRACe?

**Arguments** None

**Returns** #<num\_digit><num\_byte><data(1)><data(2)>...<data(n)>

Where

<num\_digit> is the number of digits in <num\_byte>.

<num\_byte> is the number of bytes of data that follow.

<data(n)> is the magnitude error data for the point n in percent (%), 4-byte little endian floating-point format specified in IEEE 488.2.

**Examples** READ:MERROR:TRACE? might return #42036xxxx... (2036-byte data) for the Magnitude error versus Time trace.

## READ:OBWidth:FREQuency:ERRor? (Query Only)

Returns the frequency error in the Occupied Bandwidth measurement.

**Conditions** Measurement views: Occupied Bandwidth

**Group** Read commands

**Syntax** READ:OBwidth:FREQuency:ERRor?

**Arguments** None

**Returns** <freq\_error> :: <Nrf> is the frequency error in Hz.

**Examples** READ:OBWIDTH:FREQUENCY:ERROR? might return -10.7E+3, indicating the frequency error is -10.7 kHz.

## READ:OBWidth:OBWidth:BANDwidth? (Query Only)

Returns the occupied bandwidth in the Occupied Bandwidth measurement.

**Conditions** Measurement views: Occupied Bandwidth

**Group** Read commands

**Syntax** READ:OBwidth:OBwidth:BANDwidth?

**Arguments** None

**Returns** <OBW> :: <Nrf> is the occupied bandwidth in Hz.

**Examples** READ:OBWIDTH:OBWIDTH:BANDWIDTH? might return 4.0E+6, indicating the occupied bandwidth is 4 MHz.

## READ:OBWidth:OBWidth:LEFT:FREQUENCY? (Query Only)

Returns the left (lower) frequency of the occupied bandwidth.

**Conditions** Measurement views: Occupied Bandwidth

**Group** Read commands

**Syntax** READ:OBwidth:OBwidth:LEFT:FREQUENCY?

**Related Commands** [READ:OBWidth:OBWidth:RIGHT:FREQUENCY?](#)

**Arguments** None

**Returns** <OBW\_left\_freq> :: <Nrf> is the left frequency in Hz.

**Examples** READ:OBWIDTH:OBWIDTH:LEFT:FREQUENCY? might return 1.498E+9, indicating the left frequency is 1.498 GHz.

## READ:OBWidth:OBWidth:LEFT:LEVel? (Query Only)

Returns the level at the left frequency of the occupied bandwidth.

**Conditions** Measurement views: Occupied Bandwidth

**Group** Read commands

**Syntax** READ:OBwidth:OBwidth:LEFT:LEVel?

**Related Commands** [READ:OBWidth:OBWidth:RIGHT:LEVel?](#)

**Arguments** None

**Returns** <OBW\_left\_level> :: <Nrf> is the level at the left frequency in dB.

**Examples** READ:OBWIDTH:OBWIDTH:LEFT:LEVEL? might return -23.5, indicating the level at the left frequency is -23.5 dB.

## READ:OBWidth:OBWidth:POWer? (Query Only)

Returns the reference power in the Occupied Bandwidth measurement.

**Conditions** Measurement views: Occupied Bandwidth

**Group** Read commands

**Syntax** READ:OBwidth:OBwidth:POWer?

**Arguments** None



**Returns** <OBW\_ref\_power> :: <NRf> is the reference power in dBm.  
The unit can be changed by the [\[SENSe\]:POWer:UNITs](#) command.

**Examples** READ:OBWIDTH:OBWIDTH:POWER? might return -10.0, indicating the reference power is -10 dBm.

## READ:OBWidth:OBWidth:RIGHT:FREQUENCY? (Query Only)

Returns the right (higher) frequency of the occupied bandwidth.

**Conditions** Measurement views: Occupied Bandwidth

**Group** Read commands

**Syntax** READ:OBWidth:OBWidth:RIGHT:FREQUENCY?

**Related Commands** [READ:OBWidth:OBWidth:LEFT:FREQUENCY?](#)

**Arguments** None

**Returns** <OBW\_right\_freq> :: <NRf> is the right frequency in Hz.

**Examples** READ:OBWIDTH:OBWIDTH:RIGHT:FREQUENCY? might return 1.502E+9, indicating the right frequency is 1.502 GHz.

## READ:OBWidth:OBWidth:RIGHT:LEVEL? (Query Only)

Returns the level at the right frequency of the occupied bandwidth.

**Conditions** Measurement views: Occupied Bandwidth

**Group** Read commands

**Syntax** READ:OBWidth:OBWidth:RIGHT:LEVEL?

**Related Commands** [READ:OBWidth:OBWidth:LEFT:LEVEL?](#)

<b>Arguments</b>	None
<b>Returns</b>	<OBW_right_level> :: <Nrf> is the level at the right frequency in dB.
<b>Examples</b>	READ:OBWIDTH:OBWIDTH:RIGHT:LEVEL? might return -23.5, indicating the level at the right frequency is -23.5 dB.

## READ:OBWidth:SPECTrum? (Query Only)

Returns spectrum trace data of the Occupied Bandwidth measurement.

<b>Conditions</b>	Measurement views: Occupied Bandwidth
<b>Group</b>	Read commands
<b>Syntax</b>	READ:OBwidth:SPECTrum?
<b>Arguments</b>	None
<b>Returns</b>	#<num_digit><num_byte><data(1)><data(2)>...<data(n)> Where <num_digit> is the number of digits in <num_byte>. <num_byte> is the number of bytes of data that follow. <data(n)> is the amplitude in dBm at the n <sup>th</sup> data point, 4-byte little endian floating-point format specified in IEEE 488.2. The unit can be changed by the <a href="#">[SENSE]:POWER:UNITs</a> command.
<b>Examples</b>	READ:OBWIDTH:SPECTRUM? might return #43204xxxx... (3204-byte data) for the spectrum trace data of the Occupied Bandwidth measurement.

## READ:OBWidth:XDBBandwidth:BANDwidth? (Query Only)

Returns the x dB bandwidth in the Occupied Bandwidth measurement.

<b>Conditions</b>	Measurement views: Occupied Bandwidth
<b>Group</b>	Read commands

<b>Syntax</b>	READ:OBwidth:XDBBandwidth:BANDwidth?
<b>Arguments</b>	None
<b>Returns</b>	<xdBW> :: <Nrf> is the x dB bandwidth in Hz.
<b>Examples</b>	READ:OBWIDTH:XDBBANDWIDTH:BANDWIDTH? might return 2.0E+6, indicating the x dB bandwidth is 2 MHz.

## READ:OBWidth:XDBBandwidth:LEFT:FREQUENCY? (Query Only)

Returns the left (lower) frequency of the x dB bandwidth.

<b>Conditions</b>	Measurement views: Occupied Bandwidth
<b>Group</b>	Read commands
<b>Syntax</b>	READ:OBwidth:XDBBandwidth:LEFT:FREQUENCY?
<b>Related Commands</b>	<a href="#">READ:OBWidth:XDBBandwidth:RIGHT:FREQUENCY?</a>
<b>Arguments</b>	None
<b>Returns</b>	<xdBW_left_freq> :: <Nrf> is the left frequency in Hz.
<b>Examples</b>	READ:OBWIDTH:XDBBANDWIDTH:LEFT:FREQUENCY? might return 1.498E+9, indicating the left frequency is 1.498 GHz.

## READ:OBWidth:XDBBandwidth:LEFT:LEVEL? (Query Only)

Returns the level at the left frequency of the x dB bandwidth.

<b>Conditions</b>	Measurement views: Occupied Bandwidth
<b>Group</b>	Read commands

**Syntax** READ:OBwidth:XDBBandwidth:LEFT:LEVEL?

**Related Commands** [READ:OBWidth:XDBBandwidth:RIGHT:LEVEL?](#)

**Arguments** None

**Returns** <xdbbw\_left\_level> :: <Nrf> is the level at the left frequency in dB.

**Examples** READ:OBWIDTH:XDBBANDWIDTH:LEFT:LEVEL? might return -23.5, indicating the level at the left frequency is -23.5 dB.

## READ:OBWidth:XDBBandwidth:POWer? (Query Only)

Returns the reference power in the x dB bandwidth measurement.

**Conditions** Measurement views: Occupied Bandwidth

**Group** Read commands

**Syntax** READ:OBwidth:XDBBandwidth:POWer?

**Arguments** None

**Returns** <xdbbw\_ref\_power> :: <Nrf> is the reference power in dBm. The unit can be changed by the [\[SENSE\]:POWer:UNITs](#) command.

**Examples** READ:OBWIDTH:XDBBANDWIDTH:POWer? might return -10.0, indicating the reference power is -10 dBm.

## READ:OBWidth:XDBBandwidth:RIGHT:FREQuency? (Query Only)

Returns the right (higher) frequency of the x dB bandwidth.

**Conditions** Measurement views: Occupied Bandwidth

**Group** Read commands

**Syntax** READ:OBWidth:XDBBandwidth:RIGHT:FREQUENCY?

**Related Commands** [READ:OBWidth:XDBBandwidth:LEFT:FREQUENCY?](#)

**Arguments** None

**Returns** <xdbBW\_right\_freq> :: <Nrf> is the right frequency in Hz.

**Examples** READ:OBWIDTH:XDBBANDWIDTH:RIGHT:FREQUENCY? might return 1.502E+9, indicating the right frequency is 1.502 GHz.

## READ:OBWidth:XDBBandwidth:RIGHT:LEVEL? (Query Only)

Returns the level at the right frequency of the x dB bandwidth.

**Conditions** Measurement views: Occupied Bandwidth

**Group** Read commands

**Syntax** READ:OBWidth:XDBBandwidth:RIGHT:LEVEL?

**Related Commands** [READ:OBWidth:XDBBandwidth:LEFT:LEVEL?](#)

**Arguments** None

**Returns** <xdbBW\_right\_level> :: <Nrf> is the level at the right frequency in dB.

**Examples** READ:OBWIDTH:XDBBANDWIDTH:RIGHT:LEVEL? might return -23.5, indicating the level at the right frequency is -23.5 dB.

## READ:OFDM:APOWER? (Query Only)

Returns the average power in the OFDM measurement.

**Conditions** Measurement views: OFDM

<b>Group</b>	Read commands
<b>Syntax</b>	READ:OFDM:APOWER?
<b>Arguments</b>	None
<b>Returns</b>	<apower>::<NRf> the average power in dB.
<b>Examples</b>	READ:OFDM:APOWER? might return -23.4584459235 indicating the average power is -23.46 dB.

### READ:OFDM:APOWER:PEAK? (Query Only)

Returns the peak-to-average power in the OFDM measurement.

<b>Conditions</b>	Measurement views: OFDM
<b>Group</b>	Read commands
<b>Syntax</b>	READ:OFDM:APOWER:PEAK?
<b>Arguments</b>	None
<b>Returns</b>	<apower_peak>::<NRf> is the peak-to-average power in dBm.
<b>Examples</b>	READ:OFDM:APOWER:PEAK? might return 10.4140096289 indicating that peak-to-average power is 10.41 dBm.

### READ:OFDM:CONSt:MaGNitude? (Query Only)

Returns the constellation magnitude data for the OFDM measurement.

<b>Conditions</b>	Measurement views: OFDM
<b>Group</b>	Read commands

**Syntax** READ:OFDM:CONStE:MAGNitude?

**Related Commands** [READ:OFDM:CONStE:PHASe?](#)  
[READ:OFDM:CONStE:TYPE?](#)  
[READ:OFDM:CONStE:VALue?](#)

**Arguments** None

**Returns** #<num\_digit><num\_byte><data(1)><data(2)>...<data(n)>

Where

<num\_digit> is the number of digits in <num\_byte>.

<num\_byte> is the number of bytes of data that follow.

<data(n)> is the data value at the n<sup>th</sup> data point in percent (%), 4-byte little endian floating-point format specified in IEEE 488.2.

**Examples** READ:OFDM:CONStE:MAGNITUDE? might return #510400xxxx... (10400-byte data) for the measurement.

## READ:OFDM:CONStE:PHASe? (Query Only)

Returns the constellation phase data for the OFDM measurement.

**Conditions** Measurement views: OFDM

**Group** Read commands

**Syntax** READ:OFDM:CONStE:PHASe?

**Related Commands** [READ:OFDM:CONStE:MAGNitude?](#)  
[READ:OFDM:CONStE:TYPE?](#)  
[READ:OFDM:CONStE:VALue?](#)

**Arguments** None

**Returns** #<num\_digit><num\_byte><data(1)><data(2)>...<data(n)>

Where

<num\_digit> is the number of digits in <num\_byte>.

<num\_byte> is the number of bytes of data that follow.  
 <data(n)> is the data value at the n<sup>th</sup> data point in 4-byte little endian floating-point format specified in IEEE 488.2.

**Examples**     READ:OFDM:CONStE:PHASe? might return #510400xxxx... (10400-byte data) for the measurement.

## READ:OFDM:CONStE:TYPE? (Query Only)

Returns the constellation context value of the OFDM measurement.

**Conditions**     Measurement views: OFDM

**Group**            Read commands

**Syntax**           READ:OFDM:CONStE:TYPE?

**Related Commands**     [READ:OFDM:CONStE:MAGNitude?](#)  
                               [READ:OFDM:CONStE:PHASe?](#)  
                               [READ:OFDM:CONStE:VALue?](#)

**Arguments**        None

**Returns**            #<num\_digit><num\_byte><data(1)><data(2)>...<data(n)>

Where  
 <num\_digit> is the number of digits in <num\_byte>.  
 <num\_byte> is the number of bytes of data that follow.  
 <data(n)> is the data value at the n<sup>th</sup> data point in 16-bit little endian integers. The integers must be translated to the proper context as listed below.

Integer value	Type (context)
0	Pilot
1	Data
2	Unused or Null

**Examples**     READ:OFDM:CONStE:TYPE? might return #41352 (1352-byte data) for the measurement. The actual data must be decoded to the context type using the table above.



## READ:OFDM:CONStE:VALue? (Query Only)

Returns the constellation value of the OFDM measurement.

**Conditions** Measurement views: OFDM

**Group** Read commands

**Syntax** READ:OFDM:CONStE:VALue?

**Related Commands** [READ:OFDM:CONStE:MAGNitude?](#)  
[READ:OFDM:CONStE:PHASe?](#)  
[READ:OFDM:CONStE:TYPE?](#)

**Arguments** None

**Returns** #<num\_digit><num\_byte><data(1)><data(2)>...<data(n)>

Where

<num\_digit> is the number of digits in <num\_byte>.

<num\_byte> is the number of bytes of data that follow.

<data(n)> is the data value at the n<sup>th</sup> data point in 16-bit little endian integers.

**Examples** READ:OFDM:CONStE:VALue? might return #41352 indicating 1352 bytes of data for the measurement.

## READ:OFDM:CPE? (Query Only)

Returns the Common Pilot Error magnitude for the OFDM measurement.

**Conditions** Measurement views: OFDM

**Group** Read commands

**Syntax** READ:OFDM:CPE?

**Arguments** None

**Returns** <NRf> the RMS magnitude error in percent.

**Examples** READ:OFDM:CPE? might return 3.7868041505 indicating that the CPE is 3.787%.

## READ:OFDM:CRESPonse:MAGNitude? (Query Only)

Returns the channel response magnitude data for the OFDM measurement.

**Conditions** Measurement views: OFDM

**Group** Read commands

**Syntax** READ:OFDM:CRESPonse:MAGNitude?

**Arguments** None

**Returns** #<num\_digit><num\_byte><data(1)><data(2)>...<data(n)>

Where

<num\_digit> is the number of digits in <num\_byte>.

<num\_byte> is the number of bytes of data that follow.

<data(n)> is the data value at the n<sup>th</sup> data point in percent (%), 4-byte little endian floating-point format specified in IEEE 488.2.

**Examples** READ:OFDM:CRESPONSE:MAGNITUDE? might return #3804xxxx. . . (804 byte data) for the measurement.

## READ:OFDM:CRESPonse:PHASe? (Query Only)

Returns the channel response phase data for the OFDM measurement.

**Conditions** Measurement views: OFDM

**Group** Read commands

**Syntax** READ:OFDM:CRESPonse:PHASe?

<b>Arguments</b>	None
<b>Returns</b>	#<num_digit><num_byte><data(1)><data(2)>...<data(n)> Where <num_digit> is the number of digits in <num_byte>. <num_byte> is the number of bytes of data that follow. <data(n)> is the data value at the n <sup>th</sup> data point in percent (%), 4-byte little endian floating-point format specified in IEEE 488.2.
<b>Examples</b>	READ:OFDM:CRESPONSE:PHASE? might return #3804xxxx. . . (804 byte data) for the measurement.

## READ:OFDM:EVM:PEAK:DECibel:ALL? (Query Only)

Returns the peak EVM data for all subcarriers in the OFDM measurement.

<b>Conditions</b>	Measurement views: OFDM
<b>Group</b>	Read commands
<b>Syntax</b>	READ:OFDM:EVM:PEAK:DECibel:ALL?
<b>Arguments</b>	None
<b>Returns</b>	<NRf> data in dB.
<b>Examples</b>	READ:OFDM:EVM:PEAK:DECIBEL:ALL? might return -20.1872549032 indicating the data is -20.19 dB for the measurement.

## READ:OFDM:EVM:PEAK:DECibel:DATA? (Query Only)

Returns the peak EVM data for the data subcarriers in the OFDM measurement.

<b>Conditions</b>	Measurement views: OFDM
<b>Group</b>	Read commands

**Syntax** READ:OFDM:EVM:PEAK:DECibel:DATA?

**Arguments** None

**Returns** <NRf> data in dB.

**Examples** READ:OFDM:EVM:PEAK:DECIBEL:DATA? might return -20.1872549032 indicating the data is -20.19 dB for the measurement.

## READ:OFDM:EVM:PEAK:DECibel:PILOts? (Query Only)

Returns the peak EVM data for the pilot subcarriers in the OFDM measurement.

**Conditions** Measurement views: OFDM

**Group** Read commands

**Syntax** READ:OFDM:EVM:PEAK:DECibel:PILOts?

**Arguments** None

**Returns** <NRf> data in dB.

**Examples** READ:OFDM:EVM:PEAK:DECIBEL:PILOTS? might return -20.2872549032 indicating the data is -20.29 dB for the measurement.

## READ:OFDM:EVM:PEAK:PERCent:ALL? (Query Only)

Returns the peak EVM data for all subcarriers in the OFDM measurement as a percent.

**Conditions** Measurement views: OFDM

**Group** Read commands

**Syntax** READ:OFDM:EVM:PEAK:PERCent:ALL?

---

<b>Arguments</b>	None
<b>Returns</b>	<NRf> data in percent.
<b>Examples</b>	READ:OFDM:EVM:PEAK:PERCENT:ALL? might return 19.3223863840 indicating the data is 19.322% for the measurement.

## READ:OFDM:EVM:PEAK:PERCent:DATA? (Query Only)

Returns the peak EVM data for the data subcarriers in the OFDM measurement as a percent.

<b>Conditions</b>	Measurement views: OFDM
<b>Group</b>	Read commands
<b>Syntax</b>	READ:OFDM:EVM:PEAK:PERCent:DATA?
<b>Arguments</b>	None
<b>Returns</b>	<NRf> data in percent.
<b>Examples</b>	READ:OFDM:EVM:PEAK:PERCENT:DATA? might return 19.3223863840 indicating the data is 19.322% for the measurement.

## READ:OFDM:EVM:PEAK:PERCent:PILots? (Query Only)

Returns the peak EVM data for the pilot subcarriers in the OFDM measurement as a percent.

<b>Conditions</b>	Measurement views: OFDM
<b>Group</b>	Read commands
<b>Syntax</b>	READ:OFDM:EVM:PEAK:PERCent:PILots?

<b>Arguments</b>	None
<b>Returns</b>	<NRf> data in percent.
<b>Examples</b>	READ:OFDM:EVM:PEAK:PERCENT:PILOTS? might return 10.8543863840 indicating the data is 10.854% for the measurement.

## READ:OFDM:EVM:PEAK:SCARrier:ALL? (Query Only)

Returns the peak EVM data for all subcarriers at the subcarrier level in the OFDM measurement.

<b>Conditions</b>	Measurement views: OFDM
<b>Group</b>	Read commands
<b>Syntax</b>	READ:OFDM:EVM:PEAK:SCARrier:ALL?
<b>Arguments</b>	None
<b>Returns</b>	<NR1>
<b>Examples</b>	READ:OFDM:EVM:PEAK:SCARRIER:ALL? might return 99.00000 indicating the data is 99 for the measurement.

## READ:OFDM:EVM:PEAK:SCARrier:DATA? (Query Only)

Returns the peak EVM data for the data subcarriers at the subcarrier level in the OFDM measurement.

<b>Conditions</b>	Measurement views: OFDM
<b>Group</b>	Read commands
<b>Syntax</b>	READ:OFDM:EVM:PEAK:SCARrier:DATA?

---

<b>Arguments</b>	None
<b>Returns</b>	<NR1>
<b>Examples</b>	READ:OFDM:EVM:PEAK:SCARRIER:DATA? might return 99.00000 indicating the data is 99 for the measurement.

## READ:OFDM:EVM:PEAK:SCARrier:PILots? (Query Only)

Returns the peak EVM data for the pilot subcarriers at the subcarrier level in the OFDM measurement.

<b>Conditions</b>	Measurement views: OFDM
<b>Group</b>	Read commands
<b>Syntax</b>	READ:OFDM:EVM:PEAK:SCARrier:PILots?
<b>Arguments</b>	None
<b>Returns</b>	<NR1>
<b>Examples</b>	READ:OFDM:EVM:PEAK:SCARRIER:PILOTS? might return 88.00000 indicating the data is 88for the measurement

## READ:OFDM:EVM:PEAK:SYMBol:ALL? (Query Only)

Returns the peak EVM data for all subcarriers at the symbol level in the OFDM measurement.

<b>Conditions</b>	Measurement views: OFDM
<b>Group</b>	Read commands
<b>Syntax</b>	READ:OFDM:EVM:PEAK:SYMBol:ALL?

<b>Arguments</b>	None
<b>Returns</b>	<NR1>
<b>Examples</b>	READ:OFDM:EVM:PEAK:SYMBOL:ALL? might return 2.00000 indicating the data is 2 for the measurement

## READ:OFDM:EVM:PEAK:SYMBOL:DATA? (Query Only)

Returns the peak EVM data for the data subcarriers at the symbol level in the OFDM measurement.

<b>Conditions</b>	Measurement views: OFDM
<b>Group</b>	Read commands
<b>Syntax</b>	READ:OFDM:EVM:PEAK:SYMBOL:DATA?
<b>Arguments</b>	<NR1>
<b>Returns</b>	
<b>Examples</b>	READ:OFDM:EVM:PEAK:SYMBOL:DATA? might return 2.00000 indicating the data is 2 for the measurement

## READ:OFDM:EVM:PEAK:SYMBOL:PILOTS? (Query Only)

Returns the peak EVM data for the pilot subcarriers at the symbol level in the OFDM measurement.

<b>Conditions</b>	Measurement views: OFDM
<b>Group</b>	Read commands
<b>Syntax</b>	READ:OFDM:EVM:PEAK:SYMBOL:PILOTS?
<b>Arguments</b>	<NR1>



**Returns**

**Examples** READ:OFDM:EVM:PEAK:SYMBOL:PILOTS? might return 1.00000 indicating the data is 1 for the measurement

**READ:OFDM:EVM:RMS:DECibel:ALL? (Query Only)**

Returns the RMS EVM data for all subcarriers in the OFDM measurement.

**Conditions** Measurement views: OFDM

**Group** Read commands

**Syntax** READ:OFDM:EVM:RMS:DECibel:ALL?

**Arguments** None

**Returns** <NRf> data in dB.

**Examples** READ:OFDM:EVM:RMS:DECIBEL:ALL? might return -26.9012093267 indicating the data is -26.90 for the measurement.

**READ:OFDM:EVM:RMS:DECibel:DATA? (Query Only)**

Returns the RMS EVM data for the data subcarriers in the OFDM measurement.

**Conditions** Measurement views: OFDM

**Group** Read commands

**Syntax** READ:OFDM:EVM:RMS:DECibel:DATA?

**Arguments** None

**Returns** <NRf> data in dB.

**Examples**    `READ:OFDM:EVM:RMS:DECIBEL:DATA?` might return `-26.8477116269` indicating the data is `-26.85` for the measurement.

## **READ:OFDM:EVM:RMS:DECibel:PILOts? (Query Only)**

Returns the RMS EVM data for the pilot subcarriers in the OFDM measurement.

**Conditions**    Measurement views: OFDM

**Group**        Read commands

**Syntax**       `READ:OFDM:EVM:RMS:DECibel:PILOts?`

**Arguments**    None

**Returns**       <NRf> data in dB.

**Examples**    `READ:OFDM:EVM:RMS:DECIBEL:PILOTS?` might return `-33.0589143032` indicating the data is `-33.06` dB.

## **READ:OFDM:EVM:RMS:PERCent:ALL? (Query Only)**

Returns the peak RMS data for all subcarriers in the OFDM measurement as a percent.

**Conditions**    Measurement views: OFDM

**Group**        Read commands

**Syntax**       `READ:OFDM:EVM:RMS:PERCent:ALL?`

**Arguments**    None

**Returns**       <NRf> data in percent.

**Examples** READ:OFDM:EVM:RMS:PERCENT:ALL? might return 225.0743627548 indicating the data is 225.074% for the measurement.

## READ:OFDM:EVM:RMS:PERCent:DATA? (Query Only)

Returns the peak RMS data for the data subcarriers in the OFDM measurement as a percent.

**Conditions** Measurement views: OFDM

**Group** Read commands

**Syntax** READ:OFDM:EVM:RMS:PERCent:DATA?

**Arguments** None

**Returns** <NRf> data in percent.

**Examples** READ:OFDM:EVM:RMS:PERCENT:DATA? might return 260.6973409653 indicating that the data is 260.697% for the measurement.

## READ:OFDM:EVM:RMS:PERCent:PILots? (Query Only)

Returns the peak RMS data for the pilot subcarriers in the OFDM measurement as a percent.

**Conditions** Measurement views: OFDM

**Group** Read commands

**Syntax** READ:OFDM:EVM:RMS:PERCent:PILots?

**Arguments** None

**Returns** <NRf> data in percent.

**Examples** READ:OFDM:EVM:RMS:PERCENT:PILOTS? might return 210.8103863840 indicating the data is 210.810% for the measurement.

## READ:OFDM:EVM:TRACe(x)? (Query Only)

Returns the EVM trace data for the OFDM measurement.

When <x> is 1, the parameter is Matrix.

When <x> is 2, the parameter is Average versus Symbols.

When <x> is 3, the parameter is Average versus Subcarrier.

**Conditions** Measurement views: OFDM

**Group** Read commands

**Syntax** READ:OFDM:EVM:TRACe(x)?

**Arguments** None

**Returns** #<num\_digit><num\_byte><data(1)><data(2)>...<data(n)>

Where

<num\_digit> is the number of digits in <num\_byte>.

<num\_byte> is the number of bytes of data that follow.

<data(n)> is the data value at the n<sup>th</sup> data point in percent (%), 4-byte little endian floating-point format specified in IEEE 488.2.

**Examples** READ:OFDM:EVM:TRACe2? might return #252xxxx. . . . (52 byte data) for the Average versus Symbols measurement.

## READ:OFDM:FERRor? (Query Only)

Returns the Frequency error reading for the OFDM measurement.

**Conditions** Measurement views: OFDM

**Group** Read commands

---

<b>Syntax</b>	READ:OFDM:FERROR?
<b>Arguments</b>	None
<b>Returns</b>	<NRf> frequency error.
<b>Examples</b>	READ:OFDM:FERROR? might return 82.8617142098E+3 indicating the frequency error was 82.86 kHz.

### READ:OFDM:GAIN:IMBalance? (Query Only)

Returns the gain imbalance for the OFDM measurement.

<b>Conditions</b>	Measurement views: OFDM
<b>Group</b>	Read commands
<b>Syntax</b>	READ:OFDM:GAIN:IMBalance?
<b>Arguments</b>	None
<b>Returns</b>	<NRf> gain imbalance in dB.
<b>Examples</b>	READ:OFDM:GAIN:IMBALANCE? might return -57.746E-3 indicating that the gain imbalance is -0.057746 dB.

### READ:OFDM:IQ:ORIGIN:OFFSet? (Query Only)

Returns the IQ origin offset for the OFDM measurement.

<b>Conditions</b>	Measurement views: OFDM
<b>Group</b>	Read commands
<b>Syntax</b>	READ:OFDM:IQ:ORIGIN:OFFSet?

<b>Arguments</b>	None
<b>Returns</b>	<NRf> gain imbalance in dB.
<b>Examples</b>	READ:OFDM:IQ:ORIGIN:OFFSET? might return -53.47017 indicating that the IQ origin offset is -53.47 dB.

## READ:OFDM:MERRor:TRACe(x)? (Query Only)

Returns the magnitude error trace data for the OFDM measurement.

When <x> is 1, the parameter is Matrix.

When <x> is 2, the parameter is Average versus Symbols.

When <x> is 3, the parameter is Average versus Subcarrier.

<b>Conditions</b>	Measurement views: OFDM
<b>Group</b>	Read commands
<b>Syntax</b>	READ:OFDM:MERRor:TRACe(x)?
<b>Arguments</b>	None
<b>Returns</b>	#<num_digit><num_byte><data(1)><data(2)>...<data(n)> Where <num_digit> is the number of digits in <num_byte>. <num_byte> is the number of bytes of data that follow. <data(n)> is the data value at the n <sup>th</sup> data point in percent (%), 4-byte little endian floating-point format specified in IEEE 488.2.
<b>Examples</b>	READ:OFDM:MERRor:TRACe2 might return #3108xxxx. . . (108-byte data) for the average versus symbols trace measurement.

## READ:OFDM:PACKet:DIRection? (Query Only)

Returns the direction of the packet in the OFDM measurement.

**Conditions** Measurement views: OFDM

**Group** Read commands

**Syntax** READ:OFDM:PACKet:DIRection?

**Arguments** None

**Returns** One of the following values.

UP specifies that the packet is in the up direction.

DOWN specifies that the packet is in the down direction.

BOTH specifies that the packet is both directions.

**Examples** READ:OFDM:PACKET:DIRECTION? might return DOWN indicating that the packet was in the down direction.

## READ:OFDM:PERRor:TRACe(x)? (Query Only)

Returns the phase error trace data for the OFDM measurement.

When <x> is 1, the parameter is Matrix.

When <x> is 2, the parameter is Average versus Symbols.

When <x> is 3, the parameter is Average versus Subcarrier.

**Conditions** Measurement views: OFDM

**Group** Read commands

**Syntax** READ:OFDM:PERRor:TRACe(x)?

**Arguments** None

**Returns** #<num\_digit><num\_byte><data(1)><data(2)>...<data(n)>

Where

<num\_digit> is the number of digits in <num\_byte>.

<num\_byte> is the number of bytes of data that follow.

<data(n)> is the data value at the n<sup>th</sup> data point in percent (%), 4-byte little endian floating-point format specified in IEEE 488.2.

**Examples** READ:OFDM:PERror:TRACe2 might return #3100xxxx. . . (100-byte data) for the average versus symbols trace measurement.

## READ:OFDM:POWer:TRACe(x)? (Query Only)

Returns the power trace data for the OFDM measurement.

When <x> is 1, the parameter is Matrix.

When <x> is 2, the parameter is Average versus Symbols.

When <x> is 3, the parameter is Average versus Subcarrier.

**Conditions** Measurement views: OFDM

**Group** Read commands

**Syntax** READ:OFDM:POWer:TRACe(x)?

**Arguments** None

**Returns** #<num\_digit><num\_byte><data(1)><data(2)>...<data(n)>

Where

<num\_digit> is the number of digits in <num\_byte>.

<num\_byte> is the number of bytes of data that follow.

<data(n)> is the data value at the n<sup>th</sup> data point in percent (%), 4-byte little endian floating-point format specified in IEEE 488.2.

**Examples** READ:OFDM:POWer:TRACe2 might return #296xxxx. . . (96-byte data) for the average versus symbols trace measurement.



## READ:OFDM:QUADrature:OFFSet? (Query Only)

Returns the quadrature offset in the OFDM measurement.

**Conditions** Measurement views: OFDM

**Group** Read commands

**Syntax** READ:OFDM:QUADrature:OFFSet?

**Arguments** None

**Returns** <NRf> quadrature offset in degrees.

**Examples** READ:OFDM:QUADRATURE:OFFSET? might return -99.9 indicating that the offset is -99°.

## READ:OFDM:SCARriers? (Query Only)

Returns the number of subcarriers in the OFDM measurement.

**Conditions** Measurement views: OFDM

**Group** Read commands

**Syntax** READ:OFDM:SCARriers?

**Arguments** None

**Returns** <NR1> number of subcarriers.

**Examples** READ:OFDM:SCARRIERS? might return 200.0000 indicating that there are 200 subcarriers in the measurement.

## READ:OFDM:SCARriers:SPACing? (Query Only)

Returns the subcarrier spacing for the OFDM measurement.

**Conditions** Measurement views: OFDM

**Group** Read commands

**Syntax** READ:OFDM:SCARriers:SPACing?

**Arguments** None

**Returns** <NRf> subcarrier spacing.

**Examples** READ:OFDM:SCARRIERS:SPACING? might return 90.000E+3 indicating that the subcarrier spacing is 90.000 kHz.

## READ:OFDM:STABle:VALUe? (Query Only)

Returns the number of bytes in the symbol table for the OFDM measurement.

**Conditions** Measurement views: OFDM

**Group** Read commands

**Syntax** READ:OFDM:STABle:VALUe?

**Arguments** None

**Returns** #<num\_digit><num\_byte>

Where

<num\_digit> is the number of digits in <num\_byte>

<num\_byte> is the number of bytes of data.

**Examples**    `READ:OFDM:STABLE:VALUE?` might return `#43848` indicating that there are 3848 bytes in the symbol table.

## **READ:OFDM:SYMBOL:CERRor? (Query Only)**

Returns the symbol clock error for the OFDM measurement.

**Conditions**    Measurement views: OFDM

**Group**        Read commands

**Syntax**       `READ:OFDM:SYMBOL:CERRor?`

**Arguments**    None

**Returns**       <NRf> symbol clock error in ppm.

**Examples**    `READ:OFDM:SYMBOL:CERRor?` might return `422.7135479929` indicating that the symbol clock error was 422.714 ppm.

## **READ:OFDM:SYMBOL:COUNT? (Query Only)**

Returns the number of symbols for the OFDM measurement.

**Conditions**    Measurement views: OFDM

**Group**        Read commands

**Syntax**       `READ:OFDM:SYMBOL:COUNT?`

**Arguments**    None

**Returns**       <NR1> number of symbols in the measurement.

**Examples**    `READ:OFDM:SYMBOL:COUNT?` might return `25.00000` indicating that there were 25 symbols for the measurement.

## READ:PERRor:FERRor? (Query Only)

Returns the frequency error in the Phase error versus Time measurement.

**Conditions** Measurement views: Phase error versus Time

**Group** Read commands

**Syntax** READ:PERRor:FERRor?

**Arguments** None

**Returns** <freq\_error> :: <NRf> is the frequency error in Hz.

**Examples** READ:PERRor:FERRor? might return -10.7E+3, indicating the frequency error is -10.7 kHz.

## READ:PERRor:PEAK? (Query Only)

Returns the peak value in the Phase error versus Time measurement.

**Conditions** Measurement views: Phase error versus Time

**Group** Read commands

**Syntax** READ:PERRor:PEAK?

**Related Commands** [READ:PERRor:PINDEX?](#)

**Arguments** None

**Returns** <peak> :: <NRf> is the peak phase error in degrees.

**Examples** READ:PERRor:PEAK? might return 0.683, indicating the peak phase error is 0.683 °.

## READ:PERRor:PINdex? (Query Only)

Returns the time at the phase error peak.

**Conditions** Measurement views: Phase error versus Time

**Group** Read commands

**Syntax** READ:PERRor:PINdex?

**Related Commands** [READ:PERRor:PEAK?](#)

**Arguments** None

**Returns** <peak\_time> :: <NRf> is the time at the phase error peak in symbol number. The unit can be changed by the [\[SENSe\]:DDEMod:TIME:UNITs](#) command.

**Examples** READ:PERRor:PINdex? might return 68.000, indicating that the phase error peak is at symbol #68.

## READ:PERRor:RMS (Query Only)

Returns the RMS (Root-Mean-Square) value in the Phase error versus Time measurement.

**Conditions** Measurement views: Phase error versus Time

**Group** Read commands

**Syntax** READ:PERRor:RMS

**Arguments** None

**Returns** <rms> :: <NRf> is the RMS phase error in degrees.

**Examples**    `READ:ERROR:RMS` might return 0.746, indicating the phase error is 0.746 ° RMS.

## **READ:PERRor:TRACe? (Query Only)**

Returns the Phase error versus Time trace data.

**Conditions**    Measurement views: Phase error versus Time

**Group**        Read commands

**Syntax**       `READ:PERRor:TRACe?`

**Arguments**    None

**Returns**       `#<num_digit><num_byte><data(1)><data(2)>...<data(n)>`

Where

`<num_digit>` is the number of digits in `<num_byte>`.

`<num_byte>` is the number of bytes of data that follow.

`<data(n)>` is the phase error data for the point n in degrees,

4-byte little endian floating-point format specified in IEEE 488.2.

**Examples**    `READ:ERROR:TRACE?` might return `#42036xxxx...` (2036-byte data) for the Phase error versus Time trace.

## **READ:PHVTime? (Query Only)**

Returns the Phase versus Time trace data.

**Conditions**    Measurement views: Phase versus Time

**Group**        Read commands

**Syntax**       `READ:PHVTime?`

**Arguments**    None

**Returns** #<num\_digit><num\_byte><data(1)><data(2)>...<data(n)>

Where

<num\_digit> is the number of digits in <num\_byte>.

<num\_byte> is the number of bytes of data that follow.

<data(n)> is the phase in degrees at the n<sup>th</sup> data point, 4-byte little endian floating-point format specified in IEEE 488.2.

**Examples** READ:PHVTIME? might return #3160xxxx... (160-byte data) for the Phase versus Time trace.

## READ:PHVTime:MAXimum? (Query Only)

Returns the maximum value in the Phase versus Time measurement.

**Conditions** Measurement views: Phase versus Time

**Group** Read commands

**Syntax** READ:PHVTime:MAXimum?

**Related Commands** [READ:PHVTime:MAXLocation?](#)

**Arguments** None

**Returns** <max> :: <NRf> is the maximum phase in degrees.

**Examples** READ:PHVTime:MAXIMUM? might return 153.8, indicating the maximum phase is 153.8 °.

## READ:PHVTime:MAXLocation? (Query Only)

Returns the time at which the phase is maximum.

**Conditions** Measurement views: Phase versus Time

**Group** Read commands

**Syntax** READ:PHVTime:MAXLocation?

**Related Commands** [READ:PHVTime:MAXimum?](#)

**Arguments** None

**Returns** <max\_time> :: <Nrf> is the time in seconds at which the phase is maximum.

**Examples** READ:PHVTIME:MAXLOCATION? might return 175.3E-9, indicating the I or Q level is maximum at 175.3 ns.

## READ:PHVTime:MINimum? (Query Only)

Returns the minimum value in the Phase versus Time measurement.

**Conditions** Measurement views: Phase versus Time

**Group** Read commands

**Syntax** READ:PHVTime:MINimum?

**Related Commands** [READ:PHVTime:MINLocation?](#)

**Arguments** None

**Returns** <min> :: <Nrf> is the minimum phase in degrees.

**Examples** READ:PHVTIME:MINIMUM? might return -176.3, indicating the minimum phase is -176.3 °.

## READ:PHVTime:MINLocation? (Query Only)

Returns the time at which the phase is minimum.

**Conditions** Measurement views: Phase versus Time



<b>Group</b>	Read commands
<b>Syntax</b>	READ:PHVTime:MINLocation?
<b>Related Commands</b>	<a href="#">READ:PHVTime:MINimum?</a>
<b>Arguments</b>	None
<b>Returns</b>	<min_time> :: <NRf> is the time in seconds at which the phase is minimum.
<b>Examples</b>	READ:PHVTIME:MINLOCATION? might return 450.7E-9, indicating the phase is minimum at 450.7 ns.

## READ:PHVTime:RESult? (Query Only)

Returns the Phase versus Time measurement results.

<b>Conditions</b>	Measurement views: Phase versus Time
<b>Group</b>	Read commands
<b>Syntax</b>	READ:PHVTime:RESult?
<b>Arguments</b>	None
<b>Returns</b>	<max>,<max_time>,<min>,<min_time> Where <max> :: <NRf> is the maximum phase in degrees. <max_time> :: <NRf> is the time in seconds at which the phase is maximum. <min> :: <NRf> is the minimum phase in degrees. <min_time> :: <NRf> is the time in seconds at which the phase is minimum.
<b>Examples</b>	READ:PHVTIME:RESULT? might return 153.8,175.3E-9,-176.3,450.7E-9, indicating the maximum phase is 153.8 ° at 175.3 ns and the minimum phase is -176.3 ° at 450.7 ns.

## READ:PM:PNEGative? (Query Only)

Returns the negative peak phase deviation ( $-P_k$ ) in the PM measurement.

**Conditions** Measurement views: PM

**Group** Read commands

**Syntax** READ:PM:PNEGative?

**Arguments** None

**Returns**  $\langle -P_k \rangle$  ::  $\langle NRF \rangle$  is the negative peak phase deviation in degrees.

**Examples** READ:PM:PNEGATIVE? might return  $-23.42$ , indicating the positive peak phase deviation is  $-23.42^\circ$ .

## READ:PM:PPOSitive? (Query Only)

Returns the positive peak phase deviation ( $+P_k$ ) in the PM measurement.

**Conditions** Measurement views: PM

**Group** Read commands

**Syntax** READ:PM:PPOSitive?

**Arguments** None

**Returns**  $\langle +P_k \rangle$  ::  $\langle NRF \rangle$  is the positive peak phase deviation in degrees.

**Examples** READ:PM:PPOSITIVE? might return  $26.87$ , indicating the positive peak phase deviation is  $26.87^\circ$ .

## READ:PM:PTPeak? (Query Only)

Returns the peak-peak phase deviation (Pk-Pk) in the PM measurement.

**Conditions** Measurement views: PM

**Group** Read commands

**Syntax** READ:PM:PTPeak?

**Arguments** None

**Returns** <Pk-Pk> :: <NRf> is the peak-peak phase deviation in degrees.

**Examples** READ:PM:PTPEAK? might return 46.34, indicating the peak-peak phase deviation is 46.34 °.

## READ:PM:RESult? (Query Only)

Returns the PM measurement results.

**Conditions** Measurement views: PM

**Group** Read commands

**Syntax** READ:PM:RESult?

**Arguments** None

**Returns** <+Pk> , <-Pk> , <RMS> , <Pk-Pk>

Where

<+Pk> :: <NRf> is the positive peak phase deviation in degrees.

<-Pk> :: <NRf> is the negative peak phase deviation in degrees.

<RMS> :: <NRf> is the RMS phase deviation in degrees.

<Pk-Pk> :: <NRf> is the peak-peak phase deviation in degrees.

**Examples** READ:PM:RESULT? might return 22.89,-23.45,15.12,46.34.

## READ:PM:RMS? (Query Only)

Returns the RMS phase deviation in the PM measurement.

**Conditions** Measurement views: PM

**Group** Read commands

**Syntax** READ:PM:RMS?

**Arguments** None

**Returns** <RMS> :: <NRf> is the RMS phase deviation in degrees.

**Examples** READ:PM:RMS? might return 15.12, indicating the RMS frequency deviation is 15.12 °.

## READ:PNOise:ALL? (Query Only)

Returns all results of the phase noise measurement.

**Conditions** Measurement views: Phase noise

**Group** Read commands

**Syntax** READ:PNOise:ALL?

**Arguments** None

**Returns** <Cpower>,<Ferror>,<Pnoise>,<Tjitter>,<Rjitter>,<RFM>

Where

<Cpower> :: <NRf> is the carrier power in dBm.

<Ferror> :: <NRf> is the frequency error in Hz.

<Pnoise> :: <NRf> is the RMS phase noise in degrees.

<Tjitter> :: <NRf> is the total jitter in seconds.  
<Rjitter> :: <NRf> is the random jitter in seconds.  
<RFM> :: <NRf> is the residual FM in Hz.

**Examples** READ:PNOISE:ALL? might return  
-9.455,1.235E+6,51.43,2.312E-9,4.178E-9,14.58, indicating  
Carrier power: -9.455 dBm,  
Frequency error: 1.235 MHz,  
RMS phase noise: 51.43 °,  
Total jitter: 2.312 ns,  
Random jitter: 4.178 ns, and  
Residual FM: 14.58 Hz.

## READ:PNOise:CARRier:FERRor? (Query Only)

Returns the carrier frequency error in the phase noise measurement.

**Conditions** Measurement views: Phase noise

**Group** Read commands

**Syntax** READ:PNOise:CARRier:FERRor?

**Arguments** None

**Returns** <NRf> Carrier frequency error in Hz.

**Examples** READ:PNOISE:CARRIER:FERROR? might return 1.235E+6, indicating that the carrier frequency error is 1.235 MHz.

## READ:PNOise:CARRier:POWer? (Query Only)

Returns the carrier power in the phase noise measurement.

**Conditions** Measurement views: Phase noise

**Group** Read commands

**Syntax** READ:PNOise:CARRier:POWer?

**Arguments** None

**Returns** <NRf> Carrier power in dBm.  
The unit can be changed by the [SENSE]:POWer:UNITs command.

**Examples** READ:PNOISE:CARRIER:POWER? might return -9.455, indicating that the carrier power is -9.455 dBm.

## READ:PNOise:JITTer? (Query Only)

Returns the jitter in the phase noise measurement.

**Conditions** Measurement views: Phase noise

**Group** Read commands

**Syntax** READ:PNOise:JITTer?

**Arguments** None

**Returns** <NRf> Jitter in seconds.

**Examples** READ:PNOISE:JITTER? might return 2.312E-9, indicating that the jitter is 2.312 ns.

## READ:PNOise:RESidual:FM? (Query Only)

Returns the residual FM in the phase noise measurement.

**Conditions** Measurement views: Phase noise

**Group** Read commands

**Syntax** READ:PNOise:RESidual:FM?

<b>Arguments</b>	None
<b>Returns</b>	<Nrf> Residual FM in Hz.
<b>Examples</b>	READ:PNOISE:RESIDUAL:FM? might return 14.58, indicating that the residual FM is 14.58 Hz.

## READ:PNOise:RMS:PNOise? (Query Only)

Returns the RMS phase noise in the phase noise measurement.

<b>Conditions</b>	Measurement views: Phase noise
<b>Group</b>	Read commands
<b>Syntax</b>	READ:PNOise:RMS:PNOise?
<b>Arguments</b>	None
<b>Returns</b>	<Nrf> RMS phase noise in degrees.
<b>Examples</b>	READ:PNOISE:RMS:PNOISE? might return 51.43, indicating that the RMS phase noise is 51.43 °.

## READ:PNOise:SPECTrum<x>:X? (Query Only)

Returns the frequencies of the specified trace.

The parameter <x> = 1 and 2, representing Trace 1 and Trace 2, respectively.

<b>Conditions</b>	Measurement views: Phase noise
<b>Group</b>	Read commands
<b>Syntax</b>	READ:PNOise:SPECTrum<x>:X?

<b>Arguments</b>	None
<b>Returns</b>	<code>#&lt;num_digit&gt;&lt;num_byte&gt;&lt;x(1)&gt;&lt;x(2)&gt;...&lt;x(n)&gt;</code> Where <code>&lt;num_digit&gt;</code> is the number of digits in <code>&lt;num_byte&gt;</code> . <code>&lt;num_byte&gt;</code> is the number of bytes of data that follow. <code>&lt;x(n)&gt;</code> is the frequency (Hz) at the $n^{\text{th}}$ point, 4-byte little endian floating-point format specified in IEEE 488.2.
<b>Examples</b>	<code>READ:PNOISE:SPECTRUM1:X?</code> might return <code>#516020xxxx...</code> (16020-byte data) for the frequencies of Trace 1.

## **READ:PNOise:SPECTrum<x>:XY? (Query Only)**

Returns the frequency and phase noise pairs of the specified trace.

The parameter `<x>` = 1 and 2, representing Trace 1 and Trace 2, respectively.

<b>Conditions</b>	Measurement views: Phase noise
<b>Group</b>	Read commands
<b>Syntax</b>	<code>READ:PNOise:SPECTrum&lt;x&gt;:XY?</code>
<b>Arguments</b>	None
<b>Returns</b>	<code>#&lt;num_digit&gt;&lt;num_byte&gt;&lt;x(1)&gt;&lt;y(1)&gt;&lt;x(2)&gt;&lt;y(2)&gt;...&lt;x(n)&gt;&lt;y(n)&gt;</code> Where <code>&lt;num_digit&gt;</code> is the number of digits in <code>&lt;num_byte&gt;</code> . <code>&lt;num_byte&gt;</code> is the number of bytes of data that follow. <code>&lt;x(n)&gt;&lt;y(n)&gt;</code> is the frequency (Hz) and phase noise (dBc/Hz) pair at the $n^{\text{th}}$ data point, 4-byte little endian floating-point format specified in IEEE 488.2.
<b>Examples</b>	<code>READ:PNOISE:SPECTRUM1:XY?</code> might return <code>#516020xxxx...</code> (16020-byte data) for the frequency and phase noise pairs of the Trace 1.



**READ:PNOise:SPECTrum<x>[:Y]? (Query Only)**

Returns the phase noise values of the specified trace.

The parameter <x> = 1 and 2, representing Trace 1 and Trace 2, respectively.

**Conditions** Measurement views: Phase noise

**Group** Read commands

**Syntax** READ:PNOise:SPECTrum<x>[:Y]?

**Arguments** None

**Returns** #<num\_digit><num\_byte><y(1)><y(2)>...<y(n)>

Where <num\_digit> is the number of digits in <num\_byte>.

<num\_byte> is the number of bytes of data that follow.

<y(n)> is the phase noise (dBc/Hz) at the n<sup>th</sup> data point, 4-byte little endian floating-point format specified in IEEE 488.2.

**Examples** READ:PNOISE:SPECTRUM1:Y might return #516020xxxx... (16020-byte data) for the phase noise values of Trace 1.

**READ:PULSe[:RESult]:ATX? (Query Only)**

Returns the average transmitted power in the pulse table.

**Conditions** Measurement views: Pulse table

**Group** Read commands

**Syntax** READ:PULSe[:RESult]:ATX?

**Arguments** None

**Returns** <first\_pulse\_num>,<ATX(1)>,< ATX(2)>,...<ATX(n)>

Where

`<first_pulse_num>` :: `<NR1>` is the first pulse number.  
`<ATX(n)>` :: `<NRf>` is the average transmitted power for the pulse with the number of `[first_pulse_num + n - 1]` in dBm.  
 The unit can be changed to watts by the [\[SENSe\]:POWer:UNITs](#) command.  
 Volt is invalid in the average transmitted power measurement.

**Examples**    `READ:PULSE:RESULT:ATX?` might return 0, -18.57, -18.73, -18.20, -18.53 for Pulse 0 to 3.

## READ:PULSe[:RESuLt]:AVERAge? (Query Only)

Returns the average on power in the pulse table.

**Conditions**    Measurement views: Pulse table

**Group**        Read commands

**Syntax**       `READ:PULSe[:RESuLt]:AVERAge?`

**Arguments**    None

**Returns**       `<first_pulse_num>`, `<avg(1)>`, `< avg(2)>`, ... `<avg(n)>`

Where

`<first_pulse_num>` :: `<NR1>` is the first pulse number.

`<avg(n)>` :: `<NRf>` is the average on power for the pulse with the number of `[first_pulse_num + n - 1]` in dBm.

The unit can be changed by the [\[SENSe\]:POWer:UNITs](#) command.

**Examples**    `READ:PULSE:RESULT:AVERAGE?` might return 0, -2.354, -2.368, -2.343, -2.358 for Pulse 0 to 3.

## READ:PULSe[:RESuLt]:DRODb? (Query Only)

Returns the droop in dB in the pulse table.

**Conditions**    Measurement views: Pulse table

**Group**        Read commands

<b>Syntax</b>	READ:PULSE[:RESuLt]:DRODb?
<b>Related Commands</b>	<a href="#">READ:PULSE[:RESuLt]:DROOp?</a>
<b>Arguments</b>	None
<b>Returns</b>	<first_pulse_num>,<droop(1)>,<droop(2)>,...<droop(n)> Where <first_pulse_num> :: <NR1> is the first pulse number. <droop(n)> :: <NRf> is the wattage droop for the pulse with the number of [first_pulse_num + n - 1] in dB.
<b>Examples</b>	READ:PULSE:RESULT:DRODB? might return 1,-0.4,0.32,0.2,-0.1 for Pulse 1 to 4.

## READ:PULSE[:RESuLt]:DROOp? (Query Only)

Returns the average on power in the pulse table.

<b>Conditions</b>	Measurement views: Pulse table
<b>Group</b>	Read commands
<b>Syntax</b>	READ:PULSE[:RESuLt]:DROOp?
<b>Related Commands</b>	<a href="#">READ:PULSE[:RESuLt]:DRODb?</a>
<b>Arguments</b>	None
<b>Returns</b>	<first_pulse_num>,<droop(1)>,<droop(2)>,...<droop(n)> Where <first_pulse_num> :: <NR1> is the first pulse number. <droop(n)> :: <NRf> is the wattage droop for the pulse with the number of [first_pulse_num + n - 1] in percent (%).
<b>Examples</b>	READ:PULSE:RESULT:DROOP? might return 0,-270.9E-3,-193.0E-3,-242.7E-3,-177.5E-3 for Pulse 0 to 3.

## READ:PULSe[:RESuLt]:DUTPct? (Query Only)

Returns the duty factor (%) in the pulse table.

**Conditions** Measurement views: Pulse table

**Group** Read commands

**Syntax** READ:PULSe[:RESuLt]:DUTPct?

**Arguments** None

**Returns** <first\_pulse\_num>, <duty\_pct(1)>, <duty\_pct(2)>, ...  
<duty\_pct(n)>

Where

<first\_pulse\_num> :: <NR1> is the first pulse number.

<duty\_pct(n)> :: <NRf> is the duty factor for the pulse with the number of [first\_pulse\_num + n - 1] in percent (%).

**Examples** READ:PULSE:RESULT:DUTPCT? might return 0, 28.94, 28.96, 29.00, 29.01 for Pulse 0 to 3.

## READ:PULSe[:RESuLt]:DUTRatio? (Query Only)

Returns the duty factor (ratio) in the pulse table.

**Conditions** Measurement views: Pulse table

**Group** Read commands

**Syntax** READ:PULSe[:RESuLt]:DUTRatio?

**Arguments** None

**Returns** <first\_pulse\_num>, <duty\_ratio(1)>, <duty\_ratio(2)>, ...  
<duty\_ratio(n)>

Where

`<first_pulse_num>` :: `<NR1>` is the first pulse number.  
`<duty_ratio(n)>` :: `<NRf>` is the duty factor for the pulse with the number of `[first_pulse_num + n - 1]` (no unit).

**Examples** `READ:PULSE:RESULT:DUTRATIO?` might return `0,289.4E-3,289.6E-3,290.0E-3,290.1E-3` for Pulse 0 to 3.

## READ:PULSe[:RESuLt]:FALL? (Query Only)

Returns the fall time in the pulse table.

**Conditions** Measurement views: Pulse table

**Group** Read commands

**Syntax** `READ:PULSe[:RESuLt]:FALL?`

**Arguments** None

**Returns** `<first_pulse_num>,<fall(1)>,<fall(2)>,...<fall(n)>`

Where

`<first_pulse_num>` :: `<NR1>` is the first pulse number.

`<fall(n)>` :: `<NRf>` is the fall time for the pulse with the number of `[first_pulse_num + n - 1]` in seconds.

**Examples** `READ:PULSE:RESULT:FALL?` might return `0,110.3E-9,90.45E-9,95.03E-9,111.9E-9` for Pulse 0 to 3.

## READ:PULSe[:RESuLt]:FRDeviation? (Query Only)

Returns the frequency deviation in the pulse table.

**Conditions** Measurement views: Pulse table

**Group** Read commands

**Syntax** `READ:PULSe[:RESuLt]:FRDeviation?`

<b>Arguments</b>	None
<b>Returns</b>	<p>&lt;first_pulse_num&gt;, &lt;freq_dev(1)&gt;, &lt;freq_dev(2)&gt;, ... &lt;freq_dev(n)&gt;</p> <p>Where                      &lt;first_pulse_num&gt; :: &lt;NR1&gt; is the first pulse number.                      &lt;freq_dev(n)&gt; :: &lt;NRf&gt; is the frequency deviation for the pulse with the number of [first_pulse_num + n - 1] in Hz.</p>
<b>Examples</b>	<p>READ:PULSE:RESULT:FRDEVIATION? might return                      1,740.6E+3,736.5E+3,718.3E+3,672.2E+3 for Pulse 1 to 4.</p>

## READ:PULSE[:RESUlt]:IRAMplitude? (Query Only)

Returns the pulse impulse response amplitude in the pulse table.

<b>Conditions</b>	Measurement views: Pulse table
<b>Group</b>	Read commands
<b>Syntax</b>	READ:PULSE[:RESUlt]:IRAMplitude?
<b>Returns</b>	<p>&lt;first_pulse_num&gt;, &lt;amplitude(1)&gt;, &lt;amplitude(2)&gt;, ... &lt;amplitude(n)&gt;</p> <p>Where                      &lt;first_pulse_num&gt; :: &lt;NR1&gt; is the first pulse number.                      &lt;amplitude(n)&gt; :: &lt;NRf&gt; is the sidelobe level, in dB, from the mainlobe for the pulse with the number of [first_pulse_num + n - 1].</p>
<b>Examples</b>	<p>READ:PULSE[:RESULT]:IRAMPLITUDE? might return                      1.0000000000, -45.3, -47.5, -50.2 for Pulse 1 through 3.</p>

## READ:PULSE[:RESUlt]:IRTime? (Query Only)

Returns the impulse response time in the pulse table.

<b>Conditions</b>	Measurement views: Pulse table
-------------------	--------------------------------

<b>Group</b>	Read commands
<b>Syntax</b>	READ:PULSE[:RESult]:IRTime?
<b>Returns</b>	<first_pulse_num>, <time(1)>, <time(2)>, ... <time(n)> Where <first_pulse_num> :: <NR1> is the first pulse number. <time(n)> :: <NRf> is the sidelobe offset time from the mainlobe for the pulse with the number of [first_pulse_num + n - 1] in seconds.
<b>Examples</b>	READ:PULSE[:RESULT]:IRTIME? might return 1.0000000000, 806.6708687693E-9, -846.6595318168E-9, -873.3477443457E-9 for Pulse 1 to 3.

## READ:PULSE[:RESult]:MFRReqerror? (Query Only)

Returns the maximum frequency error in the pulse table.

<b>Conditions</b>	Measurement views: Pulse table
<b>Group</b>	Read commands
<b>Syntax</b>	READ:PULSE[:RESult]:MFRReqerror?
<b>Arguments</b>	None
<b>Returns</b>	<first_pulse_num>, <max_freq_err(1)>, <max_freq_err(2)>, ... <max_freq_err(n)> Where <first_pulse_num> :: <NR1> is the first pulse number. <max_freq_err(n)> :: <NRf> is the maximum frequency error for the pulse with the number of [first_pulse_num + n - 1] in Hz.
<b>Examples</b>	READ:PULSE:RESULT:MFRREQERROR? might return 1, 597.5E+3, 675.8E+3, 642.8E+3, 598.2E+3 for Pulse 1 to 4.

## READ:PULSe[:RESuLt]:MPHerror? (Query Only)

Returns the maximum phase error in the pulse table.

**Conditions** Measurement views: Pulse table

**Group** Read commands

**Syntax** READ:PULSe[:RESuLt]:MPHerror?

**Arguments** None

**Returns** <first\_pulse\_num>, <max\_phase\_err(1)>, <max\_phase\_err(2)>, ...  
<max\_phase\_err(n)>

Where

<first\_pulse\_num> :: <NR1> is the first pulse number.

<max\_phase\_err(n)> :: <NRf> is the maximum phase error for the pulse with the number of [first\_pulse\_num + n - 1] in degrees.

**Examples** READ:PULSE:RESULT:MPHERROR? might return 1, -9.221, -8.413, -11.853, -10.258 for Pulse 1 to 4.

## READ:PULSe[:RESuLt]:OVEDb? (Query Only)

Returns the overshoot in dB in the pulse table.

**Conditions** Measurement views: Pulse table

**Group** Read commands

**Syntax** READ:PULSe[:RESuLt]:OVEDb?

**Related Commands** [READ:PULSe\[:RESuLt\]:OVERshoot?](#)

**Arguments** None

**Returns** <first\_pulse\_num>, <overshoot(1)>, <overshoot(2)>, ... <overshoot(n)>



Where

<first\_pulse\_num> :: <NR1> is the first pulse number.

<overshoot(n)> :: <NRf> is the overshoot for the pulse with the number of [first\_pulse\_num + n - 1] in dB.

**Examples** READ:PULSE:RESULT:OVERDB? might return 1,1.2,2.3,1.0,0.2 for Pulse 1 to 4.

## READ:PULSe[:RESult]:OVERshoot? (Query Only)

Returns the overshoot in the pulse table.

**Conditions** Measurement views: Pulse table

**Group** Read commands

**Syntax** READ:PULSe[:RESult]:OVERshoot?

**Related Commands** [READ:PULSe\[:RESult\]:OVEDb?](#)

**Arguments** None

**Returns** <first\_pulse\_num>,<overshoot(1)>,<overshoot(2)>,...<overshoot(n)>

Where

<first\_pulse\_num> :: <NR1> is the first pulse number.

<overshoot(n)> :: <NRf> is the overshoot for the pulse with the number of [first\_pulse\_num + n - 1] in percent (%) of watts or volts.

**Examples** READ:PULSE:RESULT:OVERSHOOT? might return 1,1.2,2.3,1.0,0.2 for Pulse 1 through 4.

## READ:PULSe[:RESult]:PHDeviation? (Query Only)

Returns the phase deviation in the pulse table.

**Conditions** Measurement views: Pulse table

<b>Group</b>	Read commands
<b>Syntax</b>	READ:PULSE[:RESuLt]:PHDeviation?
<b>Arguments</b>	None
<b>Returns</b>	<p>&lt;first_pulse_num&gt;, &lt;phase_dev(1)&gt;, &lt;phase_dev(2)&gt;, ...                  &lt;phase_dev(n)&gt;</p> <p>Where                  &lt;first_pulse_num&gt; :: &lt;NR1&gt; is the first pulse number.                  &lt;phase_dev(n)&gt; :: &lt;NRf&gt; is the phase deviation for the pulse with the number of [first_pulse_num + n - 1] in degrees.</p>
<b>Examples</b>	READ:PULSE:RESULT:PHDEVIATION? might return 1, 11.658, 9.640, 10.509, 8.272 for Pulse 1 to 4.

## READ:PULSE[:RESuLt]:PPFREQUENCY? (Query Only)

Returns the pulse-pulse carrier frequency in the pulse table.

<b>Conditions</b>	Measurement views: Pulse table
<b>Group</b>	Read commands
<b>Syntax</b>	READ:PULSE[:RESuLt]:PPFREQUENCY?
<b>Arguments</b>	None
<b>Returns</b>	<p>&lt;first_pulse_num&gt;, &lt;pp_freq(1)&gt;, &lt;pp_freq(2)&gt;, ...                  &lt;pp_freq(n)&gt;</p> <p>Where                  &lt;first_pulse_num&gt; :: &lt;NR1&gt; is the first pulse number.                  &lt;pp_freq(n)&gt; :: &lt;NRf&gt; is the pulse-pulse carrier frequency for the pulse with the number of [first_pulse_num + n - 1] in Hz.</p>
<b>Examples</b>	READ:PULSE:RESULT:PPFREQUENCY? might return 0, 0.000, 1.258E+3, -3.121E+3, 1.862E+3 for Pulse 0 to 3.

## READ:PULSe[:RESult]:PPOWer? (Query Only)

Returns the peak power in the pulse table.

**Conditions** Measurement views: Pulse table

**Group** Read commands

**Syntax** READ:PULSe[:RESult]:PPOWer?

**Arguments** None

**Returns** <first\_pulse\_num>, <pk\_power(1)>, <pk\_power(2)>, ...  
<pk\_power(n)>

Where

<first\_pulse\_num> :: <NR1> is the first pulse number.

<pk\_power(n)> :: <NRf> is the peak power for the pulse with the number of [first\_pulse\_num + n - 1] in dBm.

The unit can be changed by the [\[SENSe\]:POWer:UNITs](#) command.

**Examples** READ:PULSE:RESULT:PPOWER? might return 0, -2.26, -2.27, -2.23, -2.25 for Pulse 0 to 3.

## READ:PULSe[:RESult]:PPPHase? (Query Only)

Returns the pulse-pulse carrier phase in the pulse table.

**Conditions** Measurement views: Pulse table

**Group** Read commands

**Syntax** READ:PULSe[:RESult]:PPPHase?

**Arguments** None

**Returns** <first\_pulse\_num>, <pp\_phase(1)>, <pp\_phase(2)>, ... <pp\_phase(n)>

Where

`<first_pulse_num>` :: `<NR1>` is the first pulse number.  
`<pp_phase(n)>` :: `<NRf>` is the pulse-pulse carrier phase for the pulse with the number of `[first_pulse_num + n - 1]` in degrees.

**Examples**    `READ:PULSE:RESULT:PPHASE?` might return  
 0, 0.000, 21.66, 46.76, 57.56 for Pulse 0 to 3.

## READ:PULSe[:RESuLt]:RINTerval? (Query Only)

Returns the repetition interval in the pulse table.

**Conditions**    Measurement views: Pulse table

**Group**        Read commands

**Syntax**       `READ:PULSe[:RESuLt]:RINTerval?`

**Arguments**    None

**Returns**       `<first_pulse_num>`, `<rep_int(1)>`, `<rep_int(2)>`, ... `<rep_int(n)>`

Where

`<first_pulse_num>` :: `<NR1>` is the first pulse number.

`<rep_int(n)>` :: `<NRf>` is the repetition interval for the pulse with the number of `[first_pulse_num + n - 1]` in seconds.

**Examples**    `READ:PULSE:RESULT:RINTERVAL?` might return 0, 16.03E-6, 16.08E-6,  
 16.07E-6, 16.02E-6 for Pulse 0 to 3.

## READ:PULSe[:RESuLt]:RIPDb? (Query Only)

Returns the ripple in dB in the pulse table.

**Conditions**    Measurement views: Pulse table

**Group**        Read commands

**Syntax**       `READ:PULSe[:RESuLt]:RIPDb?`

<b>Related Commands</b>	<a href="#">READ:PULSe[:RESult]:RIPple?</a>
<b>Arguments</b>	None
<b>Returns</b>	<p>&lt;first_pulse_num&gt;,&lt;ripple(1)&gt;,&lt;ripple(2)&gt;,...&lt;ripple(n)&gt;</p> <p>Where          &lt;first_pulse_num&gt; :: &lt;NR1&gt; is the first pulse number.          &lt;ripple(n)&gt; :: &lt;NRf&gt; is the ripple for the pulse with the number of [first_pulse_num + n - 1] in dB.</p>
<b>Examples</b>	READ:PULSE:RESULT:RIPDB? might return 1,0.4,0.32,0.2,0.1 for Pulse 1 to 4.

## READ:PULSe[:RESult]:RIPple? (Query Only)

Returns the ripple in the pulse table.

<b>Conditions</b>	Measurement views: Pulse table
<b>Group</b>	Read commands
<b>Syntax</b>	READ:PULSe[:RESult]:RIPple?
<b>Related Commands</b>	<a href="#">READ:PULSe[:RESult]:RIPDb?</a>
<b>Arguments</b>	None
<b>Returns</b>	<p>&lt;first_pulse_num&gt;,&lt;ripple(1)&gt;,&lt;ripple(2)&gt;,...&lt;ripple(n)&gt;</p> <p>Where          &lt;first_pulse_num&gt; :: &lt;NR1&gt; is the first pulse number.          &lt;ripple(n)&gt; :: &lt;NRf&gt; is the watt or voltage ripple for the pulse with the number of [first_pulse_num + n - 1] in percent (%).</p>
<b>Examples</b>	READ:PULSE:RESULT:RIPPLE? might return 0,106.5E-3,177.6E-3,148.3E-3,148.5E-3 for Pulse 0 to 3.

## READ:PULSe[:RESuLt]:RISE? (Query Only)

Returns the rise time in the pulse table.

**Conditions** Measurement views: Pulse table

**Group** Read commands

**Syntax** READ:PULSe[:RESuLt]:RISE?

**Arguments** None

**Returns** <first\_pulse\_num>,<rise(1)>,<rise(2)>,...<rise(n)>

Where

<first\_pulse\_num> :: <NR1> is the first pulse number.

<rise(n)> :: <NRf> is the rise time for the pulse with the number of [first\_pulse\_num + n - 1] in seconds.

**Examples** READ:PULSE:RESULT:RISE? might return 0,92.94E-9,115.9E-9,115.1E-9,97.45E-9 for Pulse 0 to 3.

## READ:PULSe[:RESuLt]:RMSFreqerror? (Query Only)

Returns the RMS frequency error in the pulse table.

**Conditions** Measurement views: Pulse table

**Group** Read commands

**Syntax** READ:PULSe[:RESuLt]:RMSFreqerror?

**Arguments** None

**Returns** <first\_pulse\_num>,<RMS\_freq\_err(1)>,<RMS\_freq\_err(2)>,...<RMS\_freq\_err(n)>

Where

<first\_pulse\_num> :: <NR1> is the first pulse number.

`<RMS_freq_err(n)>` :: `<NRf>` is the RMS frequency error for the pulse with the number of `[first_pulse_num + n - 1]` in Hz.

**Examples** `READ:PULSE:RESULT:RMSFREQERROR?` might return `1, 51.54E+3, 69.20E+3, 64.21E+3, 51.02E+3` for Pulse 1 to 4.

## READ:PULSe[:RESult]:RMSPherror? (Query Only)

Returns the RMS phase error in the pulse table.

**Conditions** Measurement views: Pulse table

**Group** Read commands

**Syntax** `READ:PULSe[:RESult]:RMSPherror?`

**Arguments** None

**Returns** `<first_pulse_num>, <RMS_phase_err(1)>, <RMS_phase_err(2)>, ... <RMS_phase_err(n)>`

Where

`<first_pulse_num>` :: `<NR1>` is the first pulse number.

`<RMS_phase_err(n)>` :: `<NRf>` is the RMS phase error for the pulse with the number of `[first_pulse_num + n - 1]` in degrees.

**Examples** `READ:PULSE:RESULT:RMSPHERROR?` might return `1, 908.4E-3, 752.8E-3, 981.7E-3, 886.4E-3` for Pulse 1 to 4.

## READ:PULSe[:RESult]:RRATe? (Query Only)

Returns the repetition rate in the pulse table.

**Conditions** Measurement views: Pulse table

**Group** Read commands

**Syntax** `READ:PULSe[:RESult]:RRATe?`

<b>Arguments</b>	None
<b>Returns</b>	<p>&lt;first_pulse_num&gt;, &lt;rep_rate(1)&gt;, &lt;rep_rate(2)&gt;, ... &lt;rep_rate(n)&gt;</p> <p>Where                  &lt;first_pulse_num&gt; :: &lt;NR1&gt; is the first pulse number.                  &lt;rep_rate(n)&gt; :: &lt;NRf&gt; is the repetition rate for the pulse with the number of [first_pulse_num + n - 1] in Hz.</p>
<b>Examples</b>	<p>READ:PULSE:RESULT:RRATE? might return 0, 62.50E+3, 62.52E+3, 62.51E+3, 62.49E+3 for Pulse 0 to 3.</p>

## READ:PULSe[:RESuLt]:TIME? (Query Only)

Returns the time in the pulse table.

<b>Conditions</b>	Measurement views: Pulse table
<b>Group</b>	Read commands
<b>Syntax</b>	READ:PULSe[:RESuLt]:TIME?
<b>Arguments</b>	None
<b>Returns</b>	<p>&lt;first_pulse_num&gt;, &lt;time(1)&gt;, &lt;time(2)&gt;, ... &lt;time(n)&gt;</p> <p>Where                  &lt;first_pulse_num&gt; :: &lt;NR1&gt; is the first pulse number.                  &lt;time(n)&gt; :: &lt;NRf&gt; is the time for the pulse with the number of [first_pulse_num + n - 1] in seconds.</p>
<b>Examples</b>	<p>READ:PULSE:RESULT:TIME? might return 1, 7.937E-3, 8.436E-3, 6.504E-3, 9.876E-3 for Pulse 1 to 4.</p>



## READ:PULSe[:RESult]:WIDTh? (Query Only)

Returns the pulse width in the pulse table.

**Conditions** Measurement views: Pulse table

**Group** Read commands

**Syntax** READ:PULSe[:RESult]:WIDTh?

**Arguments** None

**Returns** <first\_pulse\_num>, <width(1)>, <width(2)>, ... <width(n)>

Where <first\_pulse\_num> :: <NR1> is the first pulse number.

<width(n)> :: <NRf> is the pulse width for the pulse with the number of [first\_pulse\_num + n - 1] in seconds.

**Examples** READ:PULSE:RESULT:WIDTH? might return 0,4.630E-6,4.632E-6,4.639E-6,4.642E-6 for Pulse 0 to 3.

## READ:PULSe:STATistics? (Query Only)

Returns the trace data of the pulse statistics measurement selected by the [DISPlay:PULSe:SElect:RESult](#) command.

---

**NOTE.** Select the plot type (Trend, FFT, Time Trend or Histogram) using the [DISPlay:PULSe:STATistics:PLOT](#) command before executing this query.

---

**Conditions** Measurement views: Pulse statistics

**Group** Fetch commands

**Syntax** READ:PULSe:STATistics?

**Arguments** None

**Returns** #<num\_digit><num\_byte><data(1)><data(2)>...<data(n)>

Where  
<num\_digit> is the number of digits in <num\_byte>.  
<num\_byte> is the number of bytes of data that follow.  
<data(n)> is the amplitude at the n<sup>th</sup> data point.  
The unit is current measurement unit (Plot = Trend or Time Trend), dB (Plot = FFT), count or percent (Plot = Histogram)  
4-byte little endian floating-point format specified in IEEE 488.2.

The unit of power is selected by the [\[SENSe\]:POWer:UNITs](#) command.

**Examples** READ:PULSE:STATISTICS? might return #264xxxx... (64-byte data) for the statistics trace of the pulse width measurement when [DISPlay:PULSe:SElect:RESult](#) is set to WIDTHh.

## READ:PULSe:STATistics:ATX? (Query Only)

Returns the average transmitted power in the pulse statistics. This command is valid when [DISPlay:PULSe:STATistics:PLOT](#) is set to TREND.

**Conditions** Measurement views: Pulse statistics

**Group** Read commands

**Syntax** READ:PULSe:STATistics:ATX?

**Arguments** None

**Returns** <ATX\_avg>, <ATX\_min>, <ATX\_max>

Where  
<ATX\_avg> :: <Nrf> is the average of the average transmitted power.  
<ATX\_min> :: <Nrf> is the minimum of the average transmitted power.  
<ATX\_max> :: <Nrf> is the maximum of the average transmitted power.  
Unit: dBm.

The unit can be changed to watts by the [\[SENSe\]:POWer:UNITs](#) command.  
Volt is invalid in the average transmitted power measurement.

**Examples** READ:PULSE:STATISTICS:ATX? might return -18.51, -18.74, -18.12 for the average transmitted power in the pulse statistics.

## READ:PULSe:STATistics:AVERage? (Query Only)

Returns the average on power in the pulse statistics. This command is valid when [DISPlay:PULSe:STATistics:PLOT](#) is set to TREND.

**Conditions** Measurement views: Pulse statistics

**Group** Read commands

**Syntax** READ:PULSe:STATistics:AVERage?

**Arguments** None

**Returns** <avg\_avg>, <avg\_min>, < avg\_max>

Where

<avg\_avg> :: <NRf> is the average of the average on power.

<avg\_min> :: <NRf> is the minimum of the average on power.

<avg\_max> :: <NRf> is the maximum of the average on power.

Unit: dBm.

The unit can be changed by the [\[SENSe\]:POWer:UNITs](#) command.

**Examples** READ:PULSE:STATISTICS:AVERAGE? might return -2.35, -2.36, -2.34 for the average on power in the pulse statistics.

## READ:PULSe:STATistics:DRODb? (Query Only)

Returns the droop in dB in the pulse statistics. This command is valid when [DISPlay:PULSe:STATistics:PLOT](#) is set to TREND.

**Conditions** Measurement views: Pulse statistics

**Group** Read commands

**Syntax** READ:PULSe:STATistics:DRODb?

**Related Commands** [READ:PULSe:STATistics:DROOp?](#)

**Arguments** None

**Returns** <droop\_avg>, <droop\_min>, <droop\_max>

Where

<droop\_avg> :: <NRf> is the average droop.

<droop\_min> :: <NRf> is the minimum droop.

<droop\_max> :: <NRf> is the maximum droop.

Unit: in dB by watts.

**Examples** READ:PULSE:STATISTICS:DRODB? might return 22.67E-3, -613.5E-3, 633.8E-3 for the droop in the pulse statistics.

## READ:PULSe:STATistics:DROOp? (Query Only)

Returns the droop in the pulse statistics. This command is valid when [DISPlay:PULSe:STATistics:PLOT](#) is set to TREND.

**Conditions** Measurement views: Pulse statistics

**Group** Read commands

**Syntax** READ:PULSe:STATistics:DROOp?

**Related Commands** [READ:PULSe:STATistics:DRODB?](#)

**Arguments** None

**Returns** <droop\_avg>, <droop\_min>, <droop\_max>

Where

<droop\_avg> :: <NRf> is the average droop.

<droop\_min> :: <NRf> is the minimum droop.

<droop\_max> :: <NRf> is the maximum droop.

Unit: Percent (%) by watts.

**Examples** READ:PULSE:STATISTICS:DROOP? might return 22.67E-3, -613.5E-3, 633.8E-3 for the droop in the pulse statistics.

## READ:PULSe:STATistics:DUTPct? (Query Only)

Returns the duty factor (%) in the pulse statistics. This command is valid when [DISPlay:PULSe:STATistics:PLOT](#) is set to TREND.

**Conditions** Measurement views: Pulse statistics

**Group** Read commands

**Syntax** READ:PULSe:STATistics:DUTPct?

### Related Commands

**Arguments** None

**Returns** <duty\_pct\_avg>, <duty\_pct\_min>, <duty\_pct\_max>

Where

<duty\_pct\_avg> :: <Nrf> is the average duty factor.

<duty\_pct\_min> :: <Nrf> is the minimum duty factor.

<duty\_pct\_max> :: <Nrf> is the maximum duty factor.

Unit: Percent (%).

**Examples** READ:PULSE:STATISTICS:DUTPCT? might return 2.437, 2.310, 2.657 for the duty factor (%) in the pulse statistics.

## READ:PULSe:STATistics:DUTRatio? (Query Only)

Returns the duty factor (ratio) in the pulse statistics. This command is valid when [DISPlay:PULSe:STATistics:PLOT](#) is set to TREND.

**Conditions** Measurement views: Pulse statistics

**Group** Read commands

**Syntax** READ:PULSe:STATistics:DUTRatio?

**Arguments** None

**Returns** <duty\_ratio\_avg>, <duty\_ratio\_min>, <duty\_ratio\_max>

Where

<duty\_ratio\_avg> :: <Nrf> is the average duty factor.

<duty\_ratio\_min> :: <Nrf> is the minimum duty factor.

<duty\_ratio\_max> :: <Nrf> is the maximum duty factor.

Unit: None.

**Examples** READ:PULSE:STATISTICS:DUTRATIO? might return 24.37E-3, 23.11E-3, 26.57E-3 for the duty factor (ratio) in the pulse statistics.

## READ:PULSe:STATistics:FALL? (Query Only)

Returns the fall time in the pulse statistics. This command is valid when [DISPlay:PULSe:STATistics:PLOT](#) is set to TREND.

**Conditions** Measurement views: Pulse statistics

**Group** Read commands

**Syntax** READ:PULSe:STATistics:FALL?

**Arguments** None

**Returns** <fall\_avg>, <fall\_min>, <fall\_max>

Where

<fall\_avg> :: <Nrf> is the average fall time.

<fall\_min> :: <Nrf> is the minimum fall time.

<fall\_max> :: <Nrf> is the maximum fall time.

Unit: Seconds.

**Examples** READ:PULSE:STATISTICS:FALL? might return 70.27E-9, 69.62E-9, 71.27E-9 for the fall time in the pulse statistics.

## READ:PULSe:STATistics:FRDeviation? (Query Only)

Returns the frequency deviation in the pulse statistics. This command is valid when `DISPlay:PULSe:STATistics:PLOT` is set to TREND.

<b>Conditions</b>	Measurement views: Pulse statistics
<b>Group</b>	Read commands
<b>Syntax</b>	<code>READ:PULSe:STATistics:FRDeviation?</code>
<b>Arguments</b>	None
<b>Returns</b>	<code>&lt;freq_dev_avg&gt;,&lt;freq_dev_min&gt;,&lt;freq_dev_max&gt;</code> Where <code>&lt;freq_dev_avg&gt;</code> :: <code>&lt;NRf&gt;</code> is the average frequency deviation. <code>&lt;freq_dev_min&gt;</code> :: <code>&lt;NRf&gt;</code> is the minimum frequency deviation. <code>&lt;freq_dev_max&gt;</code> :: <code>&lt;NRf&gt;</code> is the maximum frequency deviation. Unit: Hz.
<b>Examples</b>	<code>READ:PULSE:STATISTICS:FRDEVIATION?</code> might return <code>754.1E+3,660.5E+3,835.2E+3</code> for the frequency deviation in the pulse statistics.

## READ:PULSe:STATistics:IRAMplitude? (Query Only)

Returns the Pulse Impulse Response amplitude measurement in the pulse statistics.

<b>Conditions</b>	Measurement views: Pulse statistics
<b>Group</b>	Read commands
<b>Syntax</b>	<code>READ:PULSe:STATistics:IRAMplitude?</code>
<b>Returns</b>	<code>&lt;amp_avg&gt;,&lt;amp_min&gt;,&lt;amp_max&gt;</code> Where <code>&lt;amp_avg&gt;</code> :: <code>&lt;NRf&gt;</code> is the average of the impulse response amplitude.

<amp\_min> :: <Nrf> is the minimum of the impulse response amplitude.

<amp\_max> :: <Nrf> is the maximum of impulse response amplitude.

Unit: dB.

**Examples** READ:PULSE:STATISTICS:IRAMPLITUDE? might return -45.3, -47.1, -43.2 for the impulse response amplitude in the pulse statistics.

## READ:PULSe:STATistics:IRTime? (Query Only)

Returns the impulse response time in the pulse statistics.

**Conditions** Measurement views: Pulse statistics

**Group** Read commands

**Syntax** READ:PULSe:STATistics:IRTime?

**Returns** <avg\_avg>, <avg\_min>, <avg\_max>

Where

<avg\_avg> :: <Nrf> is the average of the impulse response time.

<avg\_min> :: <Nrf> is the minimum of the impulse response time.

<avg\_max> :: <Nrf> is the maximum of impulse response time.

Unit: seconds.

**Examples** READ:PULSE:STATISTICS:IRTIME? might return -2.35, -2.36, -2.34 for the impulse response time in the pulse statistics.

## READ:PULSe:STATistics:MFRreqerror? (Query Only)

Returns the maximum frequency error in the pulse statistics. This command is valid when [DISPlay:PULSe:STATistics:PLOT](#) is set to TREND.

**Conditions** Measurement views: Pulse statistics



<b>Group</b>	Read commands
<b>Syntax</b>	READ:PULSE:STATISTICS:MFREQERROR?
<b>Arguments</b>	None
<b>Returns</b>	<p>&lt;max_freq_err_avg&gt;, &lt;max_freq_err_min&gt;, &lt;max_freq_err_max&gt;</p> <p>Where</p> <p>&lt;max_freq_err_avg&gt; :: &lt;NRf&gt; is the average of maximum frequency error.</p> <p>&lt;max_freq_err_min&gt; :: &lt;NRf&gt; is the minimum of maximum frequency error.</p> <p>&lt;max_freq_err_max&gt; :: &lt;NRf&gt; is the maximum of maximum frequency error.</p> <p>Unit: Hz.</p>
<b>Examples</b>	<p>READ:PULSE:STATISTICS:MFREQERROR? might return</p> <p>645.0E+3, 555.6E+3, 738.8E+3 for the maximum frequency error in the pulse statistics.</p>

## READ:PULSE:STATISTICS:MPHERROR? (Query Only)

Returns the maximum phase error in the pulse statistics. This command is valid when [DISPLAY:PULSE:STATISTICS:PLOT](#) is set to TREND.

<b>Conditions</b>	Measurement views: Pulse statistics
<b>Group</b>	Read commands
<b>Syntax</b>	READ:PULSE:STATISTICS:MPHERROR?
<b>Arguments</b>	None
<b>Returns</b>	<p>&lt;max_phase_err_avg&gt;, &lt;max_phase_err_min&gt;, &lt;max_phase_err_max&gt;</p> <p>Where</p> <p>&lt;max_phase_err_avg&gt; :: &lt;NRf&gt; is the average of maximum phase error.</p> <p>&lt;max_phase_err_min&gt; :: &lt;NRf&gt; is the minimum of maximum phase error.</p> <p>&lt;max_phase_err_max&gt; :: &lt;NRf&gt; is the maximum of maximum phase error.</p> <p>Unit: Degrees.</p>

**Examples**     `READ:PULSE:STATISTICS:MPHERROR?` might return `-11.47,-17.18,-7.61` for the maximum phase error in the pulse statistics.

## READ:PULSe:STATistics:OVEDb? (Query Only)

Returns the overshoot measurement result in dB in the pulse statistics. This command is valid when [DISPlay:PULSe:STATistics:PLOT](#) is set to `TREND` or `TTREnd`.

**Conditions**     Measurement views: Pulse statistics

**Group**     Read commands

**Syntax**     `READ:PULSe:STATistics:OVEDb?`

**Related Commands**     [READ:PULSe:STATistics:OVERshoot?](#)

**Arguments**     None

**Returns**     `<overshoot_avg>,<overshoot_min>,<overshoot_max>`

Where

`<overshoot_avg>` :: `<NRf>` is the average overshoot.

`<overshoot_min>` :: `<NRf>` is the minimum overshoot.

`<overshoot_max>` :: `<NRf>` is the maximum overshoot.

Unit: dB.

**Examples**     `READ:PULSE:STATISTICS:OVEDB?` might return `0.3,0.1,0.5` for the overshoot measurement result in dB in the pulse statistics.

## READ:PULSe:STATistics:OVERshoot? (Query Only)

Returns the overshoot in the pulse statistics. This command is valid when [DISPlay:PULSe:STATistics:PLOT](#) is set to `TREND` or `TTREnd`.

**Conditions**     Measurement views: Pulse statistics

**Group**     Read commands

**Syntax** READ:PULSE:STATISTICS:OVERSHOOT?

**Related Commands** [READ:PULSE:STATISTICS:OVEDb?](#)

**Arguments** None

**Returns** <overshoot\_avg>, <overshoot\_min>, <overshoot\_max>

Where

<overshoot\_avg> :: <NRf> is the average overshoot.

<overshoot\_min> :: <NRf> is the minimum overshoot.

<overshoot\_max> :: <NRf> is the maximum overshoot.

Unit: Percent (%) as watts or volts.

**Examples** READ:PULSE:STATISTICS:OVERSHOOT? might return 0.3,0.1,0.5 for the overshoot in the pulse statistics.

## READ:PULSE:STATISTICS:PHDeviation? (Query Only)

Returns the phase deviation in the pulse statistics. This command is valid when [DISPlay:PULSE:STATISTICS:PLOT](#) is set to TREND.

**Conditions** Measurement views: Pulse statistics

**Group** Read commands

**Syntax** READ:PULSE:STATISTICS:PHDeviation?

**Arguments** None

**Returns** <phase\_dev\_avg>, <phase\_dev\_min>, <phase\_dev\_max>

Where

<phase\_dev\_avg> :: <NRf> is the average phase deviation.

<phase\_dev\_min> :: <NRf> is the minimum phase deviation.

<phase\_dev\_max> :: <NRf> is the maximum phase deviation.

Unit: Degrees.

**Examples** READ:PULSE:STATISTICS:PHDEVIATION? might return 11.678,7.694,17.374 for the phase deviation in the pulse statistics.

## READ:PULSe:STATistics:PPFrequency? (Query Only)

Returns the pulse-pulse carrier frequency in the pulse statistics. This command is valid when [DISPlay:PULSe:STATistics:PLOT](#) is set to TRENd.

**Conditions** Measurement views: Pulse statistics

**Group** Read commands

**Syntax** READ:PULSe:STATistics:PPFrequency?

**Arguments** None

**Returns** <pp\_freq\_avg>,<pp\_freq\_min>,<pp\_freq\_max>

Where

<pp\_freq\_avg> :: <Nrf> is the average pulse-pulse carrier frequency.

<pp\_freq\_min> :: <Nrf> is the minimum pulse-pulse carrier frequency.

<pp\_freq\_max> :: <Nrf> is the maximum pulse-pulse carrier frequency.

Unit: Hz.

**Examples** READ:PULSE:STATISTICS:PPFREQUENCY? might return 1.135E+3,311.3E+3,-262.8E+3 for the pulse-pulse carrier frequency in the pulse statistics.

## READ:PULSe:STATistics:PPOWer? (Query Only)

Returns the peak power in the pulse statistics. This command is valid when [DISPlay:PULSe:STATistics:PLOT](#) is set to TRENd.

**Conditions** Measurement views: Pulse statistics

**Group** Read commands

**Syntax** READ:PULSe:STATistics:PPOWer?

<b>Arguments</b>	None
<b>Returns</b>	<pk_power_avg>, <pk_power_min>, <pk_power_max> Where <pk_power_avg> :: <NRf> is the average peak power. <pk_power_min> :: <NRf> is the minimum peak power. <pk_power_max> :: <NRf> is the maximum peak power. Unit: dBm. The unit can be changed by the <a href="#">[SENSe]:POWER:UNITs</a> command.
<b>Examples</b>	READ:PULSe:STATistics:PPower? might return -2.273, -2.313, -2.235 for the peak power in the pulse statistics.

## READ:PULSe:STATistics:PPHase? (Query Only)

Returns the pulse-pulse carrier phase in the pulse statistics. This command is valid when [DISPlay:PULSe:STATistics:PLOT](#) is set to TRENd.

<b>Conditions</b>	Measurement views: Pulse statistics
<b>Group</b>	Read commands
<b>Syntax</b>	READ:PULSe:STATistics:PPHase?
<b>Arguments</b>	None
<b>Returns</b>	<pp_phase_avg>, <pp_phase_min>, <pp_phase_max> Where <pp_phase_avg> :: <NRf> is the average pulse-pulse carrier phase. <pp_phase_min> :: <NRf> is the minimum pulse-pulse carrier phase. <pp_phase_max> :: <NRf> is the maximum pulse-pulse carrier phase. Unit: Degrees.
<b>Examples</b>	READ:PULSe:STATISTICS:PPHASE? might return -9.298E-3, -254.3E-3, 311.7E-3 for the pulse-pulse carrier phase in the pulse statistics.

## READ:PULSe:STATistics:RINteRval? (Query Only)

Returns the repetition interval in the pulse statistics. This command is valid when [DISPlay:PULSe:STATistics:PLOT](#) is set to TREND.

**Conditions** Measurement views: Pulse statistics

**Group** Read commands

**Syntax** READ:PULSe:STATistics:RINteRval?

**Arguments** None

**Returns** <rep\_int\_avg>, <rep\_int\_min>, <rep\_int\_max>

Where

<rep\_int\_avg> :: <Nrf> is the average repetition interval.

<rep\_int\_min> :: <Nrf> is the minimum repetition interval.

<rep\_int\_max> :: <Nrf> is the maximum repetition interval.

Unit: Seconds.

**Examples** READ:PULSE:STATISTICS:RINTERVAL? might return 240.5E-6, 217.9E-6, 281.2E-6 for the repetition interval in the pulse statistics.

## READ:PULSe:STATistics:RIPDb? (Query Only)

Returns the ripple in dB in the pulse statistics. This command is valid when [DISPlay:PULSe:STATistics:PLOT](#) is set to TREND.

**Conditions** Measurement views: Pulse statistics

**Group** Read commands

**Syntax** READ:PULSe:STATistics:RIPDb?

**Related Commands** [READ:PULSe:STATistics:RIPple?](#)

**Arguments** None

**Returns** <ripple\_avg>,<ripple\_min>,<ripple\_max>

Where

<ripple\_avg> :: <NRf> is the average ripple.

<ripple\_min> :: <NRf> is the minimum ripple.

<ripple\_max> :: <NRf> is the maximum ripple.

Unit: dB.

**Examples** READ:PULSE:STATISTICS:RIPDB? might return  
160.4E-3,83.78E-3,287.7E-3 for the ripple in dB in the pulse statistics.

## READ:PULSe:STATistics:RIPple? (Query Only)

Returns the ripple in the pulse statistics. This command is valid when [DISPlay:PULSe:STATistics:PLOT](#) is set to TREND.

**Conditions** Measurement views: Pulse statistics

**Group** Read commands

**Syntax** READ:PULSe:STATistics:RIPple?

**Related Commands** [READ:PULSe:STATistics:RIPDb?](#)

**Arguments** None

**Returns** <ripple\_avg>,<ripple\_min>,<ripple\_max>

Where

<ripple\_avg> :: <NRf> is the average ripple.

<ripple\_min> :: <NRf> is the minimum ripple.

<ripple\_max> :: <NRf> is the maximum ripple.

Unit: Percent (%) as watts or volts.

**Examples** READ:PULSE:STATISTICS:RIPPLE? might return  
160.4E-3,83.78E-3,287.7E-3 for the ripple in the pulse statistics.

## READ:PULSe:STATistics:RISE? (Query Only)

Returns the rise time in the pulse statistics. This command is valid when [DISPlay:PULSe:STATistics:PLOT](#) is set to TREND.

**Conditions** Measurement views: Pulse statistics

**Group** Read commands

**Syntax** READ:PULSe:STATistics:RISE?

**Arguments** None

**Returns** <rise\_avg>, <rise\_min>, <rise\_max>

Where

<rise\_avg> :: <NRf> is the average rise time.

<rise\_min> :: <NRf> is the minimum rise time.

<rise\_max> :: <NRf> is the maximum rise time.

Unit: Seconds.

**Examples** READ:PULSE:STATISTICS:RISE? might return 105.4E-9, 91.65E-9, 116.2E-9 for the rise time in the pulse statistics.

## READ:PULSe:STATistics:RMSFreqerror? (Query Only)

Returns the RMS frequency error in the pulse statistics. This command is valid when [DISPlay:PULSe:STATistics:PLOT](#) is set to TREND.

**Conditions** Measurement views: Pulse statistics

**Group** Read commands

**Syntax** READ:PULSe:STATistics:RMSFreqerror?

**Arguments** None

**Returns** <RMS\_freq\_err\_avg>, <RMS\_freq\_err\_min>, <RMS\_freq\_err\_max>



Where

<RMS\_freq\_err\_avg> :: <NRf> is the average of RMS frequency error.

<RMS\_freq\_err\_min> :: <NRf> is the minimum of RMS frequency error.

<RMS\_freq\_err\_max> :: <NRf> is the maximum of RMS frequency error.

Unit: Hz.

**Examples** READ:PULSE:STATISTICS:RMSFREQERROR? might return 63.67E+3,45.49E+3,81.28E+3 for the RMS frequency error in the pulse statistics.

## READ:PULSe:STATistics:RMSPherror? (Query Only)

Returns the RMS phase error in the pulse statistics. This command is valid when [DISPlay:PULSe:STATistics:PLOT](#) is set to TREND.

**Conditions** Measurement views: Pulse statistics

**Group** Read commands

**Syntax** READ:PULSe:STATistics:RMSPherror?

**Arguments** None

**Returns** <RMS\_phase\_err\_avg>,<RMS\_phase\_err\_min>,<RMS\_phase\_err\_max>

Where

<RMS\_phase\_err\_avg> :: <NRf> is the average of RMS phase error.

<RMS\_phase\_err\_min> :: <NRf> is the minimum of RMS phase error.

<RMS\_phase\_err\_max> :: <NRf> is the maximum of RMS phase error.

Unit: Degrees.

**Examples** READ:PULSE:STATISTICS:RMSPHERROR? might return 1.032,604.5E-3,1.606 for the RMS phase error in the pulse statistics.

## READ:PULSe:STATistics:RRATE? (Query Only)

Returns the repetition rate in the pulse statistics. This command is valid when [DISPlay:PULSe:STATistics:PLOT](#) is set to TREND.

**Conditions** Measurement views: Pulse statistics

<b>Group</b>	Read commands
<b>Syntax</b>	READ:PULSE:STATISTICS:RRATE?
<b>Arguments</b>	None
<b>Returns</b>	<p>&lt;rep_rate_avg&gt;, &lt;rep_rate_min&gt;, &lt;rep_rate_max&gt;</p> <p>Where</p> <p>&lt;rep_rate_avg&gt; :: &lt;NRf&gt; is the average repetition rate.</p> <p>&lt;rep_rate_min&gt; :: &lt;NRf&gt; is the minimum repetition rate.</p> <p>&lt;rep_rate_max&gt; :: &lt;NRf&gt; is the maximum repetition rate.</p> <p>Unit: Hz.</p>
<b>Examples</b>	<p>READ:PULSE:STATISTICS:RRATE? might return</p> <p>62.50E+3, 62.49E+3, 62.52E+3 for the repetition rate in the pulse statistics.</p>

## READ:PULSE:STATISTICS:WIDTH? (Query Only)

Returns the pulse width in the pulse statistics. This command is valid when [DISPlay:PULSE:STATISTICS:PLOT](#) is set to TREND.

<b>Conditions</b>	Measurement views: Pulse statistics
<b>Group</b>	Read commands
<b>Syntax</b>	READ:PULSE:STATISTICS:WIDTH?
<b>Arguments</b>	None
<b>Returns</b>	<p>&lt;width_avg&gt;, &lt;width_min&gt;, &lt;width_max&gt;</p> <p>Where</p> <p>&lt;width_avg&gt; :: &lt;NRf&gt; is the average pulse width.</p> <p>&lt;width_min&gt; :: &lt;NRf&gt; is the minimum pulse width.</p> <p>&lt;width_max&gt; :: &lt;NRf&gt; is the maximum pulse width.</p> <p>Unit: Seconds.</p>

**Examples** READ:PULSE:STATISTICS:WIDTH? might return  
4.636E-6, 4.630E-6, 4.643E-6 for the pulse width in the pulse statistics.

## READ:PULSe:STATistics:X? (Query Only)

Returns the horizontal values of the trace data of the pulse statistics measurement selected by the [DISPlay:PULSe:SElect:RESult](#) command.

---

**NOTE.** Select the plot type (Trend, FFT, Time Trend or Histogram) using the [DISPlay:PULSe:STATistics:PLOT](#) command before executing this query.

---

**Conditions** Measurement views: Pulse statistics

**Group** Read commands

**Syntax** READ:PULSe:STATistics:X?

**Arguments** None

**Returns** #<num\_digit><num\_byte><data1><data2>...data<n>

Where

<num\_digit> is the number of digits in <num\_byte>.

<num\_byte> is the number of bytes of data that follow.

<data(n)> is the horizontal value of the statistics graph at the n<sup>th</sup> data point.

The unit is trace number (Plot = Trend), Hz (Plot = FFT), second (Plot = Time Trend) or current measurement unit (Plot = Histogram).

4-byte little endian floating-point format specified in IEEE 488.2.

**Examples** READ:PULSE:STATISTICS:X? might return #264xxxx... (64-byte data) for the statistics trace of the pulse width measurement when DISPlay:PULSe:SElect:RESult is set to WIDTH.

## READ:PULSe:STATistics:XY? (Query Only)

Returns the horizontal and vertical values of the trace data of the pulse statistics measurement selected by the [DISPlay:PULSe:SElect:RESult](#) command.

---

**NOTE.** Select the plot type (Trend, FFT, Time Trend or Histogram) using the [DISPlay:PULSe:STATistics:PLOT](#) command before executing this query.

---

**Conditions** Measurement views: Pulse statistics

**Group** Read commands

**Syntax** READ:PULSe:STATistics:XY?

**Arguments** None

**Returns** #<num\_digit><num\_byte><data1><data2>...data<n>

Where

<num\_digit> is the number of digits in <num\_byte>.

<num\_byte> is the number of bytes of data that follow.

<data(n)> is the horizontal value of the statistics graph at the n<sup>th</sup> data point.

<data(n+1)> is the vertical value of the statistics graph at the n<sup>th</sup> data point.

For horizontal values, the unit is trace number (Plot = Trend), Hz (Plot = FFT), second (Plot = Time Trend) or current measurement unit (Plot = Histogram).

For vertical values, the unit is current measurement unit (Plot = Trend or Time Trend), dB (Plot = FFT), count (Plot = Histogram)

4-byte little endian floating-point format specified in IEEE 488.2.

**Examples** READ:PULSE:STATISTICS:XY? might return #264xxxx... (64-byte data) for the statistics trace of the pulse width measurement when DISPlay:PULSe:SElect:RESult is set to WIDTH.

## READ:PULSe:STATistics[:Y]? (Query Only)

Returns the trace data of the pulse statistics measurement selected by the [DISPlay:PULSe:SElect:RESult](#) command.

---

**NOTE.** Select the plot type (Trend, FFT, Time Trend or Histogram) using the [DISPlay:PULSe:STATistics:PLOT](#) command before executing this query.

---

<b>Conditions</b>	Measurement views: Pulse statistics
<b>Group</b>	Fetch commands
<b>Syntax</b>	READ:PULSE:STATISTICS[:Y]?
<b>Arguments</b>	None
<b>Returns</b>	#<num_digit><num_byte><data(1)><data(2)>...<data(n)> Where <num_digit> is the number of digits in <num_byte>. <num_byte> is the number of bytes of data that follow. <data(n)> is the amplitude at the n <sup>th</sup> data point. The unit is current measurement unit (Plot = Trend or Time Trend), dB (Plot = FFT), count or percent (Plot = Histogram) 4-byte little endian floating-point format specified in IEEE 488.2. The unit of power is selected by the <a href="#">[SENSe]:Power:UNITs</a> command.

## READ:PULSE:TRACE:X? (Query Only)

Returns the time values of the pulse trace. Use the [DISPlay:PULSE:SElect:NUMBER](#) command to select the pulse, and the [DISPlay:PULSE:SElect:RESult](#) command to select the measurement result.

<b>Conditions</b>	Measurement views: Pulse trace
<b>Group</b>	Read commands
<b>Syntax</b>	READ:PULSE:TRACE:X?
<b>Arguments</b>	None
<b>Returns</b>	#<num_digit><num_byte><X(1)><X(2)>...<X(n)> Where <num_digit> is the number of digits in <num_byte>. <num_byte> is the number of bytes of data that follow. <X(n)> is the time in seconds at the n <sup>th</sup> data point,

4-byte little endian floating-point format specified in IEEE 488.2.

**Examples**    `READ:PULSE:TRACE:X?` might return `#43204xxxx...` (3204-byte data) for the time values of the trace.

## READ:PULSe:TRACe:XY? (Query Only)

Returns the horizontal (time) and vertical value pairs of the pulse trace. Use the [DISPlay:PULSe:SElect:NUMBer](#) command to select the pulse, and the [DISPlay:PULSe:SElect:RESult](#) command to select the measurement result.

**Conditions**    Measurement views: Pulse trace

**Group**    Read commands

**Syntax**    `READ:PULSe:TRACe:XY?`

**Arguments**    None

**Returns**    `#<num_digit><num_byte><x(1)><y(1)><x(2)><y(2)>...<x(n)><y(n)>`

Where

`<num_digit>` is the number of digits in `<num_byte>`.

`<num_byte>` is the number of bytes of data that follow.

`<x(n)><y(n)>` is the horizontal value (time in seconds) and vertical value pair at the  $n^{\text{th}}$  data point, 4-byte little endian floating-point format specified in IEEE 488.2.

The vertical unit depends on measurement results: Hz for frequency error and deviation, degrees for phase error and deviation, otherwise dBm. The vertical unit can be changed by the [\[SENSE\]:POWer:UNITs](#) command.

**Examples**    `READ:PULSE:TRACE:XY?` might return `#43204xxxx...` (3204-byte data) for the horizontal (time) and vertical value pairs of the pulse trace.

## READ:PULSe:TRACe[:Y]? (Query Only)

Returns the vertical values of the pulse trace. Use the [DISPlay:PULSe:SElect:NUMBer](#) command to select the pulse, and the [DISPlay:PULSe:SElect:RESult](#) command to select the measurement result.

<b>Conditions</b>	Measurement views: Pulse trace
<b>Group</b>	Read commands
<b>Syntax</b>	READ:PULSE:TRACE[:Y]?
<b>Arguments</b>	None
<b>Returns</b>	<p>#&lt;num_digit&gt;&lt;num_byte&gt;&lt;y(1)&gt;&lt;y(2)&gt;...&lt;y(n)&gt;</p> <p>Where</p> <ul style="list-style-type: none"> <li>&lt;num_digit&gt; is the number of digits in &lt;num_byte&gt;.</li> <li>&lt;num_byte&gt; is the number of bytes of data that follow.</li> <li>&lt;y(n)&gt; is the vertical value of the pulse trace at the n<sup>th</sup> data point, 4-byte little endian floating-point format specified in IEEE 488.2.</li> </ul> <p>The unit depends on measurement results: Hz for frequency error and deviation, degrees for phase error and deviation, otherwise dBm. The unit can be changed by the <a href="#">[SENSe]:POWer:UNITs</a> command.</p>
<b>Examples</b>	READ:PULSE:TRACE:Y? might return #43204xxxx... (3204-byte data) for the vertical values of the pulse trace.

## READ:SEM:MHITs:COUNT? (Query Only)

Returns the number of rows in the results table in the Spectral Emissions Mask measurement.

<b>Conditions</b>	Measurement views: Spectral Emissions Mask
<b>Group</b>	Read commands
<b>Syntax</b>	READ:SEM:MHITs:COUNT?
<b>Arguments</b>	None
<b>Returns</b>	<NRf> The number of rows in the table.

**Examples**     `READ:SEM:MHITS:COUNT?` might return 7 indicating there are seven rows in the results table.

## **READ:SEM:MHITS<x>:AMPLitude:ABSolute? (Query Only)**

Returns the absolute amplitude of the specified mask hit signal in the Spectral Emissions Mask measurement.

**Conditions**     Measurement views: Spectral Emissions Mask

**Group**     Read commands

**Syntax**     `READ:SEM:MHITS<x>:AMPLitude:ABSolute?`

**Arguments**     None

**Returns**     <NRF> Absolute amplitude of the specified signal in dBm.  
<x> specifies the row in the results table, where the range is from 1 to 12.

**Examples**     `READ:SEM:MHITS2:AMPLitude:ABSolute?` might return `-73.17` indicating that the absolute amplitude of signal in row 2 is `-73.17` dBm.

## **READ:SEM:MHITS<x>:AMPLitude:RELative? (Query Only)**

Returns the relative amplitude of the specified mask hit signal in the Spectral Emissions Mask measurement.

**Conditions**     Measurement views: Spectral Emissions Mask

**Group**     Read commands

**Syntax**     `READ:SEM:MHITS<x>:AMPLitude:RELative?`

**Arguments**     None

**Returns**     <NRF> Relative amplitude of the specified signal in dBm.



<x> specifies the row in the results table, where the range is from 1 to 12.

**Examples** `READ:SEM:MHITS2:AMPLitude:RELative?` might return `-91.81` indicating that the relative amplitude of mask hit signal in row 2 is `-91.81` dBm.

## **READ:SEM:MHITS<x>:FREQUENCY? (Query Only)**

Returns the frequency of the specified mask hit signal in the Spectral Emissions Mask measurement.

**Conditions** Measurement views: Spectral Emissions Mask

**Group** Read commands

**Syntax** `READ:SEM:MHITS<x>:FREQUENCY?`

**Arguments** None

**Returns** <Nrf> Frequency of the specified signal in Hz.  
<x> specifies the row in the results table, where the range is from 1 to 12.

**Examples** `READ:SEM:MHITS4:FREQUENCY?` might return `2.235E+6` indicating the frequency for mask hit signal in row 4 is 2.235 MHz.

## **READ:SEM:MHITS<x>:INTEg:ABSolute? (Query Only)**

Returns the absolute integration amplitude of the specified mask hit signal in the Spectral Emissions Mask measurement.

**Conditions** Measurement views: Spectral Emissions Mask

**Group** Read commands

**Syntax** `READ:SEM:MHITS<x>:INTEg:ABSolute?`

**Arguments** None

**Returns** <NRF> Absolute integration amplitude of the specified signal in dBm.  
 <x> specifies the row in the results table, where the range is from 1 to 12.

**Examples** `READ:SEM:MHITS4:INTEg:ABSolute?` might return `-75.14` indicating that the absolute integration amplitude for mask hit signal in row 4 is `-75.14` dBm.

## **READ:SEM:MHITs<x>:INTEg:RELative? (Query Only)**

Returns the relative integration amplitude of the specified mask hit signal in the Spectral Emissions Mask measurement.

**Conditions** Measurement views: Spectral Emissions Mask

**Group** Read commands

**Syntax** `READ:SEM:MHITs<x>:INTEg:RELative?`

**Arguments** None

**Returns** <NRF> Relative integration amplitude of the specified signal in dBm.  
 <x> specifies the row in the results table, where the range is from 1 to 12.

**Examples** `READ:SEM:MHITS4:INTEg:RELative?` might return `-85.14` indicating that the relative integration amplitude for mask hit signal in row 4 is `-85.14` dBm.

## **READ:SEM:MHITs<x>:MARGin:ABSolute? (Query Only)**

Returns the absolute margin for the specified mask hit signal in the Spectral Emissions Mask measurement.

**Conditions** Measurement views: Spectral Emissions Mask

**Group** Read commands

**Syntax** `READ:SEM:MHITs<x>:MARGin:ABSolute?`

<b>Arguments</b>	None
<b>Returns</b>	<NRf> Absolute margin of the specified signal in dB. <x> specifies the row in the results table, where the range is from 1 to 12.
<b>Examples</b>	<code>READ:SEM:MHITs4:MARGin:ABSolute?</code> might return <code>-62.33</code> indicating that the absolute margin for mask hit signal in row 4 is <code>-62.33</code> dB.

### **READ:SEM:MHITs<x>:MARGin:RELative? (Query Only)**

Returns the relative margin for the specified mask hit signal in the Spectral Emissions Mask measurement.

<b>Conditions</b>	Measurement views: Spectral Emissions Mask
<b>Group</b>	Read commands
<b>Syntax</b>	<code>READ:SEM:MHITs&lt;x&gt;:MARGin:RELative?</code>
<b>Arguments</b>	None
<b>Returns</b>	<NRf> Relative margin of the specified signal in dB. <x> specifies the row in the results table, where the range is from 1 to 12.
<b>Examples</b>	<code>READ:SEM:MHITs4:MARGin:RELative?</code> might return <code>-62.33</code> indicating that the relative margin for mask hit signal in row 4 is <code>-62.33</code> dB.

### **READ:SEM:MHITs<x>:OFFSet? (Query Only)**

Returns the offset for the specified mask hit signal in the Spectral Emissions Mask measurement.

<b>Conditions</b>	Measurement views: Spectral Emissions Mask
<b>Group</b>	Read commands

**Syntax** READ:SEM:MHITS<x>:OFFSet?

**Arguments** None

**Returns** <NRf> specifies the mask hit offset.  
<x> specifies the row in the results table, where the range is from 1 to 12.

**Examples** READ:SEM:MHITS4:OFFSet? might return BL indicating the offset for mask hit signal in row 4 is BL.

## READ:SEM:PASS? (Query Only)

Returns the pass/fail limit test result in the Spectral Emissions Mask measurement.

**Conditions** Measurement views: Spectral Emissions Mask

**Group** Read commands

**Syntax** READ:SEM:PASS?

**Arguments** None

**Returns** 0 (fail) or 1 (pass)

**Examples** READ:SEM:PASS? might return 1, indicating that the limit test was successful.

## READ:SEM:REF:POWer? (Query Only)

Returns the reference power level in the Spectral Emissions Mask measurement.

**Conditions** Measurement views: Spectral Emissions Mask

**Group** Read commands

**Syntax** READ:SEM:REF:POWer?

<b>Arguments</b>	None
<b>Returns</b>	<Nrf> specifies the reference power.
<b>Examples</b>	READ:SEM:REF:POWER? might return -16.92 dBm indicating that the reference power level is -16.92 dBm.

## READ:SEM:SPECTrum:X? (Query Only)

Returns the frequencies of the spectrum trace in the Spectral Emissions Mask measurement.

<b>Conditions</b>	Measurement views: Spectral Emissions Mask
<b>Group</b>	Read commands
<b>Syntax</b>	READ:SEM:SPECTrum:X?
<b>Arguments</b>	None
<b>Returns</b>	#<num_digit><num_byte><x(1)><x(2)>...<x(n)> Where <num_digit> is the number of digits in <num_byte>. <num_byte> is the number of bytes of data that follow. <x(n)> is the frequency (Hz) at the n <sup>th</sup> data point, 4-byte little endian floating-point format specified in IEEE 488.2.
<b>Examples</b>	READ:SEM:SPECTRUM:X? might return #516020xxxx... (16020-byte data) for the frequencies of the spectrum trace.

## READ:SEM:SPECTrum:XY? (Query Only)

Returns the frequency and amplitude pairs of the spectrum trace in the Spectral Emissions Mask measurement.

<b>Conditions</b>	Measurement views: Spectral Emissions Mask
-------------------	--

<b>Group</b>	Read commands
<b>Syntax</b>	READ:SEM:SPECTrum:XY?
<b>Arguments</b>	None
<b>Returns</b>	#<num_digit><num_byte><x(1)><y(1)><x(2)><y(2)>...<x(n)><y(n)> Where <num_digit> is the number of digits in <num_byte>. <num_byte> is the number of bytes of data that follow. <x(n)><y(n)> is the frequency (Hz) and amplitude (dBm) pair at the n <sup>th</sup> data point, 4-byte little endian floating-point format specified in IEEE 488.2.
<b>Examples</b>	READ:SEM:SPECTRUM:XY? might return #516020xxxx... (16020-byte data) for the frequency and amplitude pairs of the spectrum trace.

## READ:SEM:SPECTrum[:Y]? (Query Only)

Returns the amplitude of the spectrum trace in the Spectral Emissions Mask measurement.

<b>Conditions</b>	Measurement views: Spectral Emissions Mask
<b>Group</b>	Read commands
<b>Syntax</b>	READ:SEM:SPECTrum[:Y]?
<b>Arguments</b>	None
<b>Returns</b>	#<num_digit><num_byte><x(1)><x(2)>...<x(n)> Where <num_digit> is the number of digits in <num_byte>. <num_byte> is the number of bytes of data that follow. <x(n)> is the frequency (Hz) at the n <sup>th</sup> data point, 4-byte little endian floating-point format specified in IEEE 488.2.

**Examples** READ:SEM:SPECTRUM[:Y]? might return #516020xxxx... (16020-byte data) for the frequencies of the spectrum trace.

## READ:SGRam? (Query Only)

Returns the spectrogram trace data. The line is selected using the [TRACe:SGRam:SElect:LINE](#) command.

**Conditions** Measurement views: Spectrogram

**Group** Read commands

**Syntax** READ:SGRam?

**Arguments** None

**Returns** #<num\_digit><num\_byte><data(1)><data(2)>...<data(n)>

Where

<num\_digit> is the number of digits in <num\_byte>.

<num\_byte> is the number of bytes of data that follow.

<data(n)> is the trace data in dBm for the point n, 4-byte little endian floating-point format specified in IEEE 488.2.

The unit can be changed by the [\[SENSe\]:POWer:UNITs](#) command.

**Examples** READ:SGRAM? might return #43204xxxx... (3204-byte data) for the spectrogram trace.

## READ:SPECTrum:TRACe<x>? (Query Only)

Returns the trace data in the Spectrum measurement.

The parameter <x> = 1 to 5.

---

**NOTE.** TRACe5 (spectrogram) is valid when the spectrum and spectrogram measurements are running.

---

**Conditions** Measurement views: Spectrum

<b>Group</b>	Read commands
<b>Syntax</b>	READ:SPECTRUM:TRACE<x>?
<b>Arguments</b>	None
<b>Returns</b>	#<num_digit><num_byte><data(1)><data(2)>...<data(n)> Where <num_digit> is the number of digits in <num_byte>. <num_byte> is the number of bytes of data that follow. <data(n)> is the trace data in dBm for the point n, 4-byte little endian floating-point format specified in IEEE 488.2. The unit can be changed by the <a href="#">[SENSE]:POWER:UNITS</a> command.
<b>Examples</b>	READ:SPECTRUM:TRACE1 might return #43204xxxx... (3204-byte data) for Trace 1 in the Spectrum measurement.

## READ:SPURIOUS:CARRIER:POWER? (Query Only)

Returns the carrier power in the Spurious measurement.

<b>Conditions</b>	Measurement views: Spurious
<b>Group</b>	Read commands
<b>Syntax</b>	READ:SPURIOUS:CARRIER:POWER?
<b>Arguments</b>	None
<b>Returns</b>	<Nrf> Carrier power in dBm. The unit can be changed by the <a href="#">[SENSE]:POWER:UNITS</a> command.
<b>Examples</b>	READ:SPURIOUS:CARRIER:POWER? might return 4.227, indicating that the carrier power is 4.227 dBm.



## READ:SPURious:COUNT? (Query Only)

Returns the number of spurious signals in the Spurious measurement.

<b>Conditions</b>	Measurement views: Spurious
<b>Group</b>	Read commands
<b>Syntax</b>	READ:SPURious:COUNT?
<b>Arguments</b>	None
<b>Returns</b>	<NRf> The spurious count.
<b>Examples</b>	READ:SPURIOUS:COUNT? might return 4, indicating that the spurious count is 4.

## READ:SPURious:PASS? (Query Only)

Returns the pass/fail limit test result in the Spurious measurement.

<b>Conditions</b>	Measurement views: Spurious
<b>Group</b>	Read commands
<b>Syntax</b>	READ:SPURious:PASS?
<b>Arguments</b>	None
<b>Returns</b>	0 (fail) or 1 (pass).
<b>Examples</b>	READ:SPURIOUS:PASS? might return 1, indicating that the limit test was successful.

## READ:SPURious:SPECTrum:X? (Query Only)

Returns the frequencies of the spectrum trace in the Spurious measurement.

**Conditions** Measurement views: Spurious

**Group** Read commands

**Syntax** READ:SPURious:SPECTrum:X?

**Arguments** None

**Returns** #<num\_digit><num\_byte><x(1)><x(2)>...<x(n)>

Where

<num\_digit> is the number of digits in <num\_byte>.

<num\_byte> is the number of bytes of data that follow.

<x(n)> is the frequency (Hz) at the n<sup>th</sup> data point,

4-byte little endian floating-point format specified in IEEE 488.2.

**Examples** READ:SPURIOUS:SPECTRUM:X? might return #516020xxxx... (16020-byte data) for the frequencies of the spectrum trace in the Spurious measurement.

## READ:SPURious:SPECTrum:XY? (Query Only)

Returns the frequency and amplitude pairs of the spectrum trace in the Spurious measurement.

**Conditions** Measurement views: Spurious

**Group** Read commands

**Syntax** READ:SPURious:SPECTrum:XY?

**Arguments** None

**Returns** #<num\_digit><num\_byte><x(1)><y(1)><x(2)><y(2)>...<x(n)><y(n)>

Where

`<num_digit>` is the number of digits in `<num_byte>`.  
`<num_byte>` is the number of bytes of data that follow.  
`<x(n)><y(n)>` is the frequency (Hz) and amplitude (dBm) pair at the  $n^{\text{th}}$  data point,  
 4-byte little endian floating-point format specified in IEEE 488.2.  
 The amplitude unit can be changed by the [\[SENSE\]:POWER:UNITs](#) command.

**Examples**     `READ:SPURIOUS:SPECTRUM:XY?` might return `#516020xxxx...` (16020-byte data) for the frequency and amplitude pairs of the spectrum trace in the Spurious measurement.

## READ:SPURious:SPECTrum[:Y]? (Query Only)

Returns the amplitudes of the spectrum trace in the Spurious measurement.

**Conditions**     Measurement views: Spurious

**Group**     Read commands

**Syntax**     `READ:SPURious:SPECTrum[:Y]?`

**Related Commands**     [READ:SPURious:SPECTrum:X?](#)

**Arguments**     None

**Returns**     `#<num_digit><num_byte><y(1)><y(2)>...<y(n)>`

Where  
`<num_digit>` is the number of digits in `<num_byte>`.  
`<num_byte>` is the number of bytes of data that follow.  
`<y(n)>` is the amplitude (dBm) at the  $n^{\text{th}}$  data point,  
 4-byte little endian floating-point format specified in IEEE 488.2.  
 The unit can be changed by the [\[SENSE\]:POWER:UNITs](#) command.

**Examples**     `READ:SPURIOUS:SPECTRUM:Y` might return `#516020xxxx...` (16020-byte data) for the amplitudes of the spectrum trace in the Spurious measurement.

## READ:SPURious:SPUR<x>:AMPLitude:ABSolute? (Query Only)

Returns the absolute amplitude of the specified spurious signal in the Spurious measurement.

**Conditions** Measurement views: Spurious

**Group** Read commands

**Syntax** READ:SPURious:SPUR<x>:AMPLitude:ABSolute?

**Arguments** None

**Returns** <NRF> Absolute amplitude of the specified spurious in dBm.  
The unit can be changed by the [SENSe]:POWer:UNITs command.

**Examples** READ:SPURIOUS:SPUR1:AMPLITUDE:ABSOLUTE? might return -19.782, indicating that the absolute amplitude of Spurious #1 is -19.782 dBm.

## READ:SPURious:SPUR<x>:AMPLitude:RELative? (Query Only)

Returns the relative amplitude of the specified spurious signal in the Spurious measurement.

**Conditions** Measurement views: Spurious

**Group** Read commands

**Syntax** READ:SPURious:SPUR<x>:AMPLitude:RELative?

**Arguments** None

**Returns** <NRF> Relative amplitude of the specified spurious signal in dB.  
Use the [SENSe]:SPURious:REFerence command to set the power reference.

**Examples** READ:SPURIOUS:SPUR1:AMPLITUDE:RELATIVE? might return -9.782, indicating that the relative amplitude of Spurious #1 is -9.782 dB.

## READ:SPURious:SPUR<x>:FREQuency:ABSolute? (Query Only)

Returns the absolute frequency of the specified spurious signal in the Spurious measurement.

**Conditions** Measurement views: Spurious

**Group** Read commands

**Syntax** READ:SPURious:SPUR<x>:FREQuency:ABSolute?

**Arguments** None

**Returns** <Nrf> Absolute frequency of the spurious signal in Hz.

**Examples** READ:SPURIOUS:SPUR1:FREQUENCY:ABSOLUTE? might return 2.235E+9, indicating that the absolute frequency of Spurious #1 is 2.235 GHz.

## READ:SPURious:SPUR<x>:FREQuency:RELative? (Query Only)

Returns the relative frequency of the specified spurious signal to the carrier in the Spurious measurement. This command is valid when [\[SENSe\]:SPURious:REFeRence](#) is set to CARRier.

**Conditions** Measurement views: Spurious

**Group** Read commands

**Syntax** READ:SPURious:SPUR<x>:FREQuency:RELative?

**Arguments** None

**Returns** <Nrf> Relative frequency of the spurious signal to the carrier in Hz.

**Examples** READ:SPURIOUS:SPUR1:FREQUENCY:RELATIVE? might return 3.634E+6, indicating that the relative frequency of Spurious #1 is 3.634 MHz.

## READ:SPURious:SPUR<x>:LIMit:ABSolute? (Query Only)

Returns the absolute amplitude of the limit for the specified spurious signal in the Spurious measurement.

<b>Conditions</b>	Measurement views: Spurious
<b>Group</b>	Read commands
<b>Syntax</b>	READ:SPURious:SPUR<x>:LIMit:ABSolute?
<b>Arguments</b>	None
<b>Returns</b>	<NRF> Absolute amplitude of the limit for the specified spurious signal in dBm. The unit can be changed by the [SENSE]:POWER:UNITs command.
<b>Examples</b>	READ:SPURIOUS:SPUR1:LIMIT:ABSOLUTE? might return -50.0, indicating that the absolute amplitude of the limit for Spurious #1 is -50 dBm.

## READ:SPURious:SPUR<x>:LIMit:RELative? (Query Only)

Returns the relative amplitude of the limit for the specified spurious signal in the Spurious measurement.

<b>Conditions</b>	Measurement views: Spurious
<b>Group</b>	Read commands
<b>Syntax</b>	READ:SPURious:SPUR<x>:LIMit:RELative?
<b>Arguments</b>	None
<b>Returns</b>	<NRF> Relative amplitude of the limit for the specified spurious signal in dB. Use the [SENSE]:SPURious:REFerence command to set the power reference.
<b>Examples</b>	READ:SPURIOUS:SPUR1:LIMIT:RELATIVE? might return -10.0, indicating that the relative amplitude of the limit for Spurious #1 is -10 dB.

## READ:SPURious:SPUR<x>:LIMit:VIOLation? (Query Only)

Returns whether the specified spurious signal exceeds the limit or not.

<b>Conditions</b>	Measurement views: Spurious
<b>Group</b>	Read commands
<b>Syntax</b>	READ:SPURious:SPUR<x>:LIMit:VIOLation?
<b>Arguments</b>	None
<b>Returns</b>	0 (under the limit) or 1 (over the limit).
<b>Examples</b>	READ:SPURIOUS:SPUR1:LIMIT:VIOLATION? might return 1, indicating that Spurious #1 exceeds the limit.

## READ:SPURious:SPUR<x>:RANGe? (Query Only)

Returns the frequency range in which the specified spurious signal occurred.

<b>Conditions</b>	Measurement views: Spurious
<b>Group</b>	Read commands
<b>Syntax</b>	READ:SPURious:SPUR<x>:RANGe?
<b>Arguments</b>	None
<b>Returns</b>	<string> "A" to "T" representing Range A to T, respectively.
<b>Examples</b>	READ:SPURIOUS:SPUR1:RANGE? might return "E", indicating that Spurious #1 is in Range E.

## READ:SQUALITY:FREQUENCY:DEVIATION? (Query Only)

Returns the frequency deviation in the signal quality measurement.

This command is valid when [SENSE]:DDEMod:MODulation:TYPE is set to C4FM, FSK2, FSK4, FSK8, or FSK16.

<b>Conditions</b>	Measurement views: Signal quality
<b>Group</b>	Read commands
<b>Syntax</b>	READ:SQUALITY:FREQUENCY:DEVIATION?
<b>Arguments</b>	None
<b>Returns</b>	<NRF> Frequency deviation in Hz.
<b>Examples</b>	READ:SQUALITY:FREQUENCY:DEVIATION? might return 12.68E+3, indicating the frequency deviation is 12.68 kHz.

## READ:SQUALITY:FREQUENCY:DEVIATION:TABLE? (Query Only)

Returns the number of columns and the values in the frequency deviation table for a signal quality measurement.

This command is valid when [SENSE]:DDEMod:MODulation:TYPE is set to C4FM, FSK2, FSK4, FSK8, or FSK16.

<b>Conditions</b>	Measurement views: Signal quality
<b>Group</b>	Read commands
<b>Syntax</b>	READ:SQUALITY:FREQUENCY:DEVIATION:TABLE?
<b>Arguments</b>	None
<b>Returns</b>	<Dev_Num>, {<Freq_dev_Max>, <Freq_dev_Min>, <Freq_dev_Avg>} Where



<Dev\_Num> :: <NR1> is the number of columns in the frequency deviation table.

= 2 (2FSK), 4 (4FSK, C4FM), 8 (8FSK), or 16 (16FSK)

<Freq\_dev\_Max> :: <NRf> is the maximum frequency deviation in Hz.

<Freq\_dev\_Min> :: <NRf> is the minimum frequency deviation in Hz.

<Freq\_dev\_Avg> :: <NRf> is the average frequency deviation in Hz.

The dataset <Freq\_dev\_Max>, <Freq\_dev\_Min>, <Freq\_dev\_Avg> is returned for each symbol in ascending order of its level (for example, in order of symbol -3, -1, +1, and +3 for 4FSK).

### Examples

READ:SQUALITY:FREQUENCY:DEVIATION:TABLE? might return 2, 1.257E+3, 1.039E+3, 1.162E+3, 1.586E+3, 1.298E+3, 1.425E+3 for the frequency signal, populating the results table as follows.

Deviations	-1	+1
Maximum	1.257 kHz	1.586 kHz
Minimum	1.039 kHz	1.298 kHz
Average	1.162 kHz	1.425 kHz

## READ:SQUALITY:FREQUENCY:ERROR? (Query Only)

Returns the frequency error in the signal quality measurement.

**Conditions** Measurement views: Signal quality

**Group** Read commands

**Syntax** READ:SQUALITY:FREQUENCY:ERROR?

**Arguments** None

**Returns** <NRf> Frequency error in Hz.

**Examples** READ:SQUALITY:FREQUENCY:ERROR? might return 612.043E+3, indicating that the frequency error is 612.043 kHz.

## READ:SQUALity:GAIN:IMBalance? (Query Only)

Returns the gain imbalance in the signal quality measurement.

**Conditions** Measurement views: Signal quality

**Group** Read commands

**Syntax** READ:SQUALity:GAIN:IMBalance?

**Arguments** None

**Returns** <NRF> Gain imbalance in dB.

**Examples** READ:SQUALITY:GAIN:IMBALANCE? might return  $-57.746E-3$ , indicating that the gain imbalance is  $-0.057746$  dB.

## READ:SQUALity:ORIGIN:OFFSet? (Query Only)

Returns the origin offset in the signal quality measurement.

**Conditions** Measurement views: Signal quality

**Group** Read commands

**Syntax** READ:SQUALity:ORIGIN:OFFSet?

**Arguments** None

**Returns** <NRF> Origin offset in dB.

**Examples** READ:SQUALITY:ORIGIN:OFFSET? might return  $-44.968$ , indicating that the origin offset is  $-44.968$  dB.

## READ:SQUality:PEAK:EVM? (Query Only)

Returns the peak EVM (%) in the signal quality measurement.

**Conditions** Measurement views: Signal quality

**Group** Read commands

**Syntax** READ:SQUality:PEAK:EVM?

**Arguments** None

**Returns** <NRf> Peak EVM in percent (%).

**Examples** READ:SQUALITY:PEAK:EVM? might return 4.276, indicating that the peak EVM is 4.276%.

## READ:SQUality:PEAK:EVM:DB? (Query Only)

Returns the peak EVM (dB) in the signal quality measurement.

**Conditions** Measurement views: Signal quality

**Group** Read commands

**Syntax** READ:SQUality:PEAK:EVM:DB?

**Arguments** None

**Returns** <NRf> Peak EVM in dB.

**Examples** READ:SQUALITY:PEAK:EVM:DB? might return -27.358, indicating that the peak EVM is -27.358 dB.

## READ:SQUALity:PEAK:EVM:DB:OFFSet? (Query Only)

Returns the peak offset EVM (dB) in the signal quality measurement.

This command is valid when [\[SENSe\]:DDEMod:MODulation:TYPE](#) is set to OQPSK or SOQPSK.

<b>Conditions</b>	Measurement views: Signal quality
<b>Group</b>	Read commands
<b>Syntax</b>	READ:SQUALity:PEAK:EVM:DB:OFFSet?
<b>Arguments</b>	None
<b>Returns</b>	<NRf> Peak offset EVM in dB.
<b>Examples</b>	READ:SQUALITY:PEAK:EVM:DB:OFFSET? might return -37.624, indicating the peak offset EVM is -37.624 dB.

## READ:SQUALity:PEAK:EVM:LOCation? (Query Only)

Returns the time at which the EVM is peak.

<b>Conditions</b>	Measurement views: Signal quality
<b>Group</b>	Read commands
<b>Syntax</b>	READ:SQUALity:PEAK:EVM:LOCation?
<b>Arguments</b>	None
<b>Returns</b>	<NRf> The time in symbol number at which the EVM is peak. The unit can be changed by the <a href="#">[SENSe]:DDEMod:TIME:UNITs</a> command.
<b>Examples</b>	READ:SQUALITY:PEAK:EVM:LOCATION? might return 68.000, indicating that the EVM is peak at symbol #68.000.

## READ:SQUALITY:PEAK:EVM:LOCATION:OFFSET? (Query Only)

Returns the time at which the offset EVM is peak.

This command is valid when [\[SENSe\]:DDEMod:MODulation:TYPE](#) is set to OQPSK or SOQPSK.

<b>Conditions</b>	Measurement views: Signal quality
<b>Group</b>	Read commands
<b>Syntax</b>	READ:SQUALITY:PEAK:EVM:LOCATION:OFFSET?
<b>Arguments</b>	None
<b>Returns</b>	<NRf> The time in symbol number at which the offset EVM is peak. The unit can be changed by the <a href="#">[SENSe]:DDEMod:TIME:UNITs</a> command.
<b>Examples</b>	READ:SQUALITY:PEAK:EVM:LOCATION:OFFSET? might return 123.00, indicating that the offset EVM is peak at symbol #123.

## READ:SQUALITY:PEAK:EVM:OFFSET? (Query Only)

Returns the peak offset EVM (%) in the signal quality measurement.

This command is valid when [\[SENSe\]:DDEMod:MODulation:TYPE](#) is set to OQPSK or SOQPSK.

<b>Conditions</b>	Measurement views: Signal quality
<b>Group</b>	Read commands
<b>Syntax</b>	READ:SQUALITY:PEAK:EVM:OFFSET?
<b>Arguments</b>	None
<b>Returns</b>	<NRf> Peak offset EVM in percent (%).

**Examples** READ:QUALITY:PEAK:EVM:OFFSET? might return 1.298, indicating the peak offset EVM is 1.298%.

## READ:QUALITY:PEAK:FERROR? (Query Only)

Returns the peak FSK error in the signal quality measurement.

This command is valid when [SENSe]:DDEMod:MODulation:TYPE is set to FSK2, FSK4, FSK8, or FSK16.

**Conditions** Measurement views: Signal quality

**Group** Read commands

**Syntax** READ:QUALITY:PEAK:FERROR?

**Arguments** None

**Returns** <NRF> Peak FSK error in percent (%).

**Examples** READ:QUALITY:PEAK:FERROR? might return 9.136, indicating the peak FSK error is 9.136%.

## READ:QUALITY:PEAK:MERROR? (Query Only)

Returns the peak magnitude error (%) in the signal quality measurement.

**Conditions** Measurement views: Signal quality

**Group** Read commands

**Syntax** READ:QUALITY:PEAK:MERROR?

**Arguments** None

**Returns** <NRF> Peak magnitude error in percent (%).

**Examples** READ:QUALITY:PEAK:MERROR? might return 3.595, indicating that the peak magnitude error is 3.595%.

## READ:QUALITY:PEAK:MERROR:DB? (Query Only)

Returns the peak magnitude error (dB) in the signal quality measurement.

**Conditions** Measurement views: Signal quality

**Group** Read commands

**Syntax** READ:QUALITY:PEAK:MERROR:DB?

**Arguments** None

**Returns** <NRF> Peak magnitude error in dB.

**Examples** READ:QUALITY:PEAK:MERROR:DB? might return -28.583, indicating that the magnitude error is -28.583 dB.

## READ:QUALITY:PEAK:MERROR:LOCATION? (Query Only)

Returns the time at which the magnitude error is peak.

**Conditions** Measurement views: Signal quality

**Group** Read commands

**Syntax** READ:QUALITY:PEAK:MERROR:LOCATION?

**Arguments** None

**Returns** <NRF> The time in symbol number at which the magnitude error is peak. The unit can be changed by the [SENSE]:DDEMOD:TIME:UNITS command.

**Examples**    `READ:SQUALITY:PEAK:MERROR:LOCATION?` might return `68.000`, indicating that the magnitude error is peak at symbol #68.

## **READ:SQUALITY:PEAK:PERROR? (Query Only)**

Returns the peak phase error in the signal quality measurement.

**Conditions**    Measurement views: Signal quality

**Group**        Read commands

**Syntax**       `READ:SQUALITY:PEAK:PERROR?`

**Arguments**    None

**Returns**       <NRF> Peak phase error in degrees.

**Examples**    `READ:SQUALITY:PEAK:PERROR?` might return `1.907`, indicating that the peak phase error is `1.907 °`.

## **READ:SQUALITY:PEAK:PERROR:LOCATION? (Query Only)**

Returns the time at which the phase error is peak.

**Conditions**    Measurement views: Signal quality

**Group**        Read commands

**Syntax**       `READ:SQUALITY:PEAK:PERROR:LOCATION?`

**Arguments**    None

**Returns**       <NRF> The time in symbol number at which the phase error is peak.  
The unit can be changed by the `[SENSE]:DDEMod:TIME:UNITs` command.



**Examples** READ:QUALITY:PEAK:ERROR:LOCATION? might return 68.000, indicating that the phase error is peak at symbol #68.

## READ:QUALITY:QUADRATURE:ERROR? (Query Only)

Returns the quadrature error in the signal quality measurement.

**Conditions** Measurement views: Signal quality

**Group** Read commands

**Syntax** READ:QUALITY:QUADRATURE:ERROR?

**Arguments** None

**Returns** <NRf> Quadrature error in degrees.

**Examples** READ:QUALITY:QUADRATURE:ERROR? might return -14.264E-3, indicating that the quadrature error is -0.014264°.

## READ:QUALITY:RHO? (Query Only)

Returns the  $\rho$  (waveform quality) value in the signal quality measurement.

**Conditions** Measurement views: Signal quality

**Group** Read commands

**Syntax** READ:QUALITY:RHO?

**Arguments** None

**Returns** <NRf>  $\rho$  value.

**Examples** READ:QUALITY:RHO? might return 998.703E-3, indicating that  $\rho$  is 0.998703.

## READ:SQUality:RMS:EVM? (Query Only)

Returns the RMS EVM (%) in the signal quality measurement.

**Conditions** Measurement views: Signal quality

**Group** Read commands

**Syntax** READ:SQUality:RMS:EVM?

**Arguments** None

**Returns** <NRF> RMS EVM in percent (%).

**Examples** READ:SQUALITY:RMS:EVM? might return 2.417, indicating that the RMS EVM is 2.417%.

## READ:SQUality:RMS:EVM:DB? (Query Only)

Returns the RMS EVM (dB) in the signal quality measurement.

**Conditions** Measurement views: Signal quality

**Group** Read commands

**Syntax** READ:SQUality:RMS:EVM:DB?

**Arguments** None

**Returns** <NRF> RMS EVM in dB.

**Examples** READ:SQUALITY:RMS:EVM:DB? might return -32.356, indicating that the RMS EVM is -32.356 dB.

## READ:SQUality:RMS:EVM:DB:OFFSet? (Query Only)

Returns the RMS offset EVM (dB) in the signal quality measurement.

This command is valid when [SENSe]:DDEMod:MODulation:TYPE is set to OQPSK or SOQPSK.

<b>Conditions</b>	Measurement views: Signal quality
<b>Group</b>	Read commands
<b>Syntax</b>	READ:SQUality:RMS:EVM:DB:OFFSet?
<b>Arguments</b>	None
<b>Returns</b>	<NRf> RMS offset EVM in dB.
<b>Examples</b>	READ:SQUALITY:RMS:EVM:DB:OFFSET? might return -41.276, indicating the RMS offset EVM is -41.276 dB.

## READ:SQUality:RMS:EVM:OFFSet? (Query Only)

Returns the RMS offset EVM (%) in the signal quality measurement.

This command is valid when [SENSe]:DDEMod:MODulation:TYPE is set to OQPSK or SOQPSK.

<b>Conditions</b>	Measurement views: Signal quality
<b>Group</b>	Read commands
<b>Syntax</b>	READ:SQUality:RMS:EVM:OFFSet?
<b>Arguments</b>	None
<b>Returns</b>	<NRf> RMS offset EVM in percent (%).

**Examples**     `READ:QUALITY:RMS:EVM:OFFSET?` might return `0.783`, indicating the RMS offset EVM is 0.783%.

## **READ:SQuality:RMS:FERRor? (Query Only)**

Returns the RMS FSK error in the signal quality measurement.

This command is valid when `[SENSe]:DDEMod:MODulation:TYPE` is set to FSK2, FSK4, FSK8, or FSK16.

**Conditions**     Measurement views: Signal quality

**Group**            Read commands

**Syntax**           `READ:SQuality:RMS:FERRor?`

**Arguments**       None

**Returns**           <NRF> RMS FSK error in percent (%).

**Examples**        `READ:QUALITY:RMS:FERROR?` might return `8.67`, indicating the RMS FSK error is 8.67%.

## **READ:SQuality:RMS:MER:DB? (Query Only)**

Returns the RMS MER (Modulation Error Ratio) in dB in the signal quality measurement.

**Conditions**       Measurement views: Signal quality

**Group**            Read commands

**Syntax**           `READ:SQuality:RMS:MER:DB?`

**Arguments**       None

**Returns**           <NRF> RMS MER in dB.

**Examples** READ:QUALITY:RMS:MERRor:DB? might return 27.394, indicating that the RMS MER is 27.394 dB.

## READ:QUALITY:RMS:MERRor? (Query Only)

Returns the RMS magnitude error (%) in the signal quality measurement.

**Conditions** Measurement views: Signal quality

**Group** Read commands

**Syntax** READ:QUALITY:RMS:MERRor?

**Arguments** None

**Returns** <NRf> RMS magnitude error in percent (%).

**Examples** READ:QUALITY:RMS:MERRor? might return 1.837, indicating that the RMS magnitude error is 1.837%.

## READ:QUALITY:RMS:MERRor:DB? (Query Only)

Returns the RMS magnitude error (dB) in the signal quality measurement.

**Conditions** Measurement views: Signal quality

**Group** Read commands

**Syntax** READ:QUALITY:RMS:MERRor:DB?

**Arguments** None

**Returns** <NRf> RMS magnitude error in dB.

**Examples** READ:QUALITY:RMS:MERRor:DB? might return -34.706, indicating that the magnitude error is -34.706 dB.

## READ:SQUALity:RMS:PERRor? (Query Only)

Returns the RMS phase error in the signal quality measurement.

**Conditions** Measurement views: Signal quality

**Group** Read commands

**Syntax** READ:SQUALity:RMS:PERRor?

**Arguments** None

**Returns** <NRf> RMS phase error in degrees.

**Examples** READ:SQUALITY:RMS:PERROR? might return 893.472E-3, indicating that the RMS phase error is 0.893472 °.

## READ:SQUALity:SYMBOL:LENGth? (Query Only)

Returns the number of analyzed symbols.

**Conditions** Measurement views: Signal quality

**Group** Read commands

**Syntax** READ:SQUALity:SYMBOL:LENGth?

### Related Commands

**Returns** <NR1> indicates the length of the synch word in symbols.

**Examples** READ:SQUALITY:SYMBOL:LENGTH? might return 3, indicating the length is three symbols.

## READ:SQUALity:SYMBOL:RATE? (Query Only)

Returns the value of the calculated symbol rate in Hz.

**Conditions** Measurement views: Signal quality  
It is valid when the modulation type is 2|4|8|16FSK and [:SENSe]:DDEMod:SYMBOL:RATE:SEARCh is ON.

**Group** Read commands

**Syntax** READ:SQUALity:SYMBOL:RATE?

**Related Commands** [\[:SENSe\]:DDEMod:SYMBOL:RATE:SEARCh](#)

**Returns** <NRf> is the calculated symbol rate in Hz.

**Examples** READ:SQUALITY:SYMBOL:RATE? might return 95.24E+3, indicating the calculated symbol rate is 95.24 kHz.

## READ:SQUALity:SYMBOL:RATE:ERRor? (Query Only)

Returns the value of the symbol rate error in percent (%).

**Conditions** Measurement views: Signal quality  
It is valid when the modulation type is 2|4|8|16FSK and [:SENSe]:DDEMod:SYMBOL:RATE:SEARCh is ON.

**Group** Read commands

**Syntax** READ:SQUALity:SYMBOL:RATE:ERRor?

**Related Commands** [\[:SENSe\]:DDEMod:SYMBOL:RATE:SEARCh](#)

**Returns** <NRf> is the symbol error percent (%).

**Examples** READ:QUALITY:SYMBOL:RATE:ERROR? might return -0.002, indicating that the symbol rate error is -0.002%.

## READ:TDIagram:FERRor? (Query Only)

Returns the frequency error in the trellis diagram measurement.

**Conditions** Measurement views: Trellis diagram

**Group** Read commands

**Syntax** READ:TDIagram:FERRor?

**Arguments** None

**Returns** <freq\_error> :: <NRf> is the frequency error in Hz.

**Examples** READ:TDIAGRAM:FERROR? might return -10.7E+3, indicating the frequency error is -10.7 kHz.

## READ:TDIagram:TRACe? (Query Only)

Returns the Trellis diagram trace data.

**Conditions** Measurement views: Trellis diagram

**Group** Read commands

**Syntax** READ:TDIagram:TRACe?

**Arguments** None

**Returns** #<num\_digit><num\_byte><Y(1)><X(1)><Y(2)><X(2)>...<Y(n)><X(n)>

Where

<num\_digit> is the number of digits in <num\_byte>.

<num\_byte> is the number of bytes of data that follow.



$\langle Y(n) \rangle \langle X(n) \rangle$  is the phase in degrees and the time in symbols pair at the  $n^{\text{th}}$  data point, 4-byte little endian floating-point format specified in IEEE 488.2.

**Examples**     `READ:TDIAGRAM:TRACE?` might return `#3160xxxx...` (160-byte data) for the Trellis diagram trace.

## READ:TOVerview? (Query Only)

Returns the trace data in the time overview.

**Conditions**     Measurement views: Time overview

**Group**     Read commands

**Syntax**     `READ:TOVerview?`

**Arguments**     None

**Returns**     `#<num_digit><num_byte><data(1)><data(2)>...<data(n)>`

Where

`<num_digit>` is the number of digits in `<num_byte>`.

`<num_byte>` is the number of bytes of data that follow.

`<data(n)>` is the trace data in dBm for the point  $n$ , 4-byte little endian floating-point format specified in IEEE 488.2.

The unit can be changed by the [\[SENSe\]:POWer:UNITs](#) command.

**Examples**     `READ:TOVERVIEW?` might return `#43204xxxx...` (3204-byte data) for the trace in the time overview.

## \*RST (No Query Form)

Returns the instrument settings to the factory defaults ((See page C-1, *Factory Initialization Settings*.)

The \*RST command does not alter the following

- The state of the GPIB interface.
- The selected GPIB address of the analyzer.
- Alignment data that affect device specifications.
- The Output Queue.
- The Service Request Enable Register setting.
- The Standard Event Status Enable Register setting.
- The Power-on status clear flag setting.
- Stored settings.

---

**NOTE.** Execution of the \*RST command is not complete until all changes from resetting the instrument are completed. Following commands and queries will not be executed until these actions are completed.

---

<b>Conditions</b>	Measurement views: All
<b>Group</b>	IEEE common commands
<b>Syntax</b>	*RST
<b>Related Commands</b>	*CLS
<b>Arguments</b>	None
<b>Examples</b>	*RST returns the instrument settings to the factory defaults.

## [SENSe]:ACPower:AVERage

Sets or queries how to average waveform in the Channel power and ACPR measurement.

<b>Conditions</b>	Measurement views: Channel power and ACPR
<b>Group</b>	Sense commands

**Syntax** [SENSe]:ACPower:AVERage { OFF | TIME | FREquency }  
[SENSe]:ACPower:AVERage?

**Arguments** OFF disables averaging.  
TIME averages waveform using time samples.  
FREquency averages waveform using frequency samples.

**Examples** SENSE:ACPOWER:AVERAGE TIME averages waveform using time samples.

## [SENSe]:ACPower:AVERage:COUNT

Sets or queries the number of traces for averaging in the Channel power and ACPR measurement.

**Conditions** Measurement views: Channel power and ACPR

**Group** Sense commands

**Syntax** [SENSe]:ACPower:AVERage:COUNT <number>  
[SENSe]:ACPower:AVERage:COUNT?

**Arguments** <number> :: <NR1> specifies the average count. Range: 2 to 10000.

**Examples** SENSE:ACPOWER:AVERAGE:COUNT 64 sets the average count to 64.

## [SENSe]:ACPower:{BANDwidth|BWIDth}[:RESolution]

Sets or queries the resolution bandwidth (RBW). Programming a specified RBW sets [SENSe]:ACPower:{BANDwidth|BWIDth}[:RESolution]:AUTO OFF.

**Conditions** Measurement views: Channel power and ACPR

**Group** Sense commands

**Syntax** [SENSe]:ACPower:{BANDwidth|BWIDth}[:RESolution] <value>  
[SENSe]:ACPower:{BANDwidth|BWIDth}[:RESolution]?

**Related Commands** [\[SENSe\]:ACPower:{BANDwidth|BWIDth}\[:RESolution\]:AUTO](#)

**Arguments** <value> :: <NRf> specifies the RBW. Range: 100 Hz to 5 MHz.

**Examples** SENSE:ACPOWER:BANDWIDTH:RESOLUTION 200kHz sets the RBW to 200 kHz.

## [SENSe]:ACPower:{BANDwidth|BWIDth}[:RESolution]:ACTual? (Query Only)

Queries the actual resolution bandwidth (RBW) in the Channel power and ACPR measurement.

**Conditions** Measurement views: Channel power and ACPR

**Group** Sense commands

**Syntax** [SENSe]:ACPower:{BANDwidth|BWIDth}[:RESolution]:ACTual?

**Arguments** None

**Returns** <NRf> The actual RBW in Hz.

**Examples** SENSE:ACPOWER:BANDWIDTH:RESOLUTION:ACTUAL? might return 299.624E+3, indicating that the actual RBW is 299.624 kHz.

## [SENSe]:ACPower:{BANDwidth|BWIDth}[:RESolution]:AUTO

Determines whether to set the resolution bandwidth (RBW) automatically or manually in the Channel power and ACPR measurement.

**Conditions** Measurement views: Channel power and ACPR

**Group** Sense commands

**Syntax** [SENSe]:ACPower:{BANDwidth|BWIDth}[:RESolution]:AUTO { OFF | ON | 0 | 1 }  
[SENSe]:ACPower:{BANDwidth|BWIDth}[:RESolution]:AUTO?

**Arguments** OFF or 0 specifies that the RBW is set manually using the `[SENSE]:ACPower:{BANDwidth|BWIDth}[:RESolution]` command.  
ON or 1 specifies that the RBW is set automatically.

**Examples** `SENSE:ACPOWER:BANDWIDTH:AUTO ON` sets the RBW automatically.

## `[SENSE]:ACPower:{BANDwidth|BWIDth}:VIDeo`

Sets or queries the video bandwidth (VBW). Programming a specified VBW sets `[SENSE]:ACPower:{BANDwidth|BWIDth}:VIDeo:STATe OFF`.

**Conditions** Measurement views: Channel power and ACPR

**Group** Sense commands

**Syntax** `[SENSE]:ACPower:{BANDwidth|BWIDth}:VIDeo <value>`  
`[SENSE]:ACPower:{BANDwidth|BWIDth}:VIDeo?`

**Related Commands** `[SENSE]:ACPower:{BANDwidth|BWIDth}:VIDeo:STATe`

**Arguments** `<value> :: <NRf>` specifies the VBW.  
Range: Current RBW/10<sup>4</sup> (1 Hz minimum) to Current RBW.

**Examples** `SENSE:ACPOWER:BANDWIDTH:VIDEO 200kHz` sets the VBW to 200 kHz.

## `[SENSE]:ACPower:{BANDwidth|BWIDth}:VIDeo:STATe`

Determines whether to enable or disable the video bandwidth (VBW) in the Channel power and ACPR measurement.

**Conditions** Measurement views: Channel power and ACPR

**Group** Sense commands

**Syntax** `[SENSE]:ACPower:{BANDwidth|BWIDth}:VIDeo:STATe { OFF | ON | 0 | 1 }`  
`[SENSE]:ACPower:{BANDwidth|BWIDth}:VIDeo:STATe?`

**Arguments** OFF or 0 disables the VBW.  
ON or 1 enables the VBW.

**Examples** SENSE:ACPOWER:BANDWIDTH:VIDEO:STATE ON enables the VBW.

## [SENSe]:ACPower:CHANnel:{BANDwidth|BWIDth}

Sets or queries frequency bandwidth of each channel (all share the same value) in the Channel power and ACPR measurement.

**Conditions** Measurement views: Channel power and ACPR

**Group** Sense commands

**Syntax** [SENSe]:ACPower:CHANnel:{BANDwidth|BWIDth} <value>  
[SENSe]:ACPower:CHANnel:{BANDwidth|BWIDth}?

**Arguments** <value> :: <Nrf> specifies the channel bandwidth. Range: 1 Hz to full span.

**Examples** SENSE:ACPOWER:CHANNEL:BANDWIDTH 1.5MHZ sets the channel bandwidth to 1.5 MHz.

## [SENSe]:ACPower:CHANnel:FILTer

Sets or queries the adjacent channel filter in the Channel power and ACPR measurement.

**Conditions** Measurement views: Channel power and ACPR

**Group** Sense commands

**Syntax** [SENSe]:ACPower:CHANnel:FILTer { RRCosine | NONE }  
[SENSe]:ACPower:CHANnel:FILTer?

**Arguments** RRCosine uses the Root-Raised Cosine filter.  
NONE uses no filter.

**Examples**    `SENSE:ACPOWER:CHANNEL:FILTER RRCosine` uses the Root-Raised Cosine filter for the Channel power and ACPR measurement.

## [SENSe]:ACPower:CHANnel:PAIRs

Sets or queries the number of adjacent channel pairs (upper and lower) in the Channel power and ACPR measurement.

**Conditions**    Measurement views: Channel power and ACPR

**Group**    Sense commands

**Syntax**    `[SENSe]:ACPower:CHANnel:PAIRs <number>`  
`[SENSe]:ACPower:CHANnel:PAIRs?`

**Arguments**    `<number> :: <NR1>` specifies the number of adjacent pairs. Range: 0 to 50.

**Examples**    `SENSE:ACPOWER:CHANNEL:PAIRS 5` sets five adjacent channel pairs.

## [SENSe]:ACPower:CHANnel:SPACing

Sets or queries frequency difference between centers of each channel in the Channel power and ACPR measurement.

**Conditions**    Measurement views: Channel power and ACPR

**Group**    Sense commands

**Syntax**    `[SENSe]:ACPower:CHANnel:SPACing <value>`  
`[SENSe]:ACPower:CHANnel:SPACing?`

**Arguments**    `<value> :: <NRf>` specifies the channel-to-channel spacing. Range: 1 Hz to 1 GHz.

**Examples**    `SENSE:ACPOWER:CHANNEL:SPACING 5MHZ` sets the channel-to-channel spacing to 5 MHz.

## [SENSe]:ACPower:CHIPrate

Sets or queries the chip rate when [SENSe]:ACPower:CHANnel:FILTer is set to RRCosine (Root Raised Cosine).

**Conditions** Measurement views: Channel power and ACPR

**Group** Sense commands

**Syntax** [SENSe]:ACPower:CHIPrate <value>  
[SENSe]:ACPower:CHIPrate?

**Related Commands** [\[SENSe\]:ACPower:CHANnel:FILTer](#)

**Arguments** <value> :: <NRF> specifies the chip rate. Range: 100 Hz to 105 MHz.

**Examples** SENSE:ACPOWER:CHIPRATE 5kHz sets the chip rate to 5 kHz.

## [SENSe]:ACPower:CLEar:RESuLts (No Query Form)

Restarts the average trace.

**Conditions** Measurement views: Channel power and ACPR

**Group** Sense commands

**Syntax** [SENSe]:ACPower:CLEar:RESuLts

**Arguments** None

**Examples** SENSE:ACPOWER:CLEAR:RESULTS restarts the average trace.



## [SENSe]:ACPower:FREQUENCY

Sets or queries the center frequency in the Channel power and ACPR measurement.

<b>Conditions</b>	Measurement views: Channel power and ACPR
<b>Group</b>	Sense commands
<b>Syntax</b>	[SENSe]:ACPower:FREQUENCY <value> [SENSe]:ACPower:FREQUENCY?
<b>Arguments</b>	<value> :: <NRf> specifies the center frequency. Range: 0 to 6.2 GHz (RSA6106A) / 14 GHz (RSA6114A).
<b>Examples</b>	SENSE:ACPOWER:FREQUENCY 2.35GHz sets the center frequency to 2.35 GHz.

## [SENSe]:ACPower:FREQUENCY:STEP

Sets or queries the frequency step size in the Channel power and ACPR measurement. Programming a specified step size sets [SENSe]:ACPower:FREQUENCY:STEP:AUTO OFF.

<b>Conditions</b>	Measurement views: Channel power and ACPR
<b>Group</b>	Sense commands
<b>Syntax</b>	[SENSe]:ACPower:FREQUENCY:STEP <value> [SENSe]:ACPower:FREQUENCY:STEP?
<b>Related Commands</b>	<a href="#">[SENSe]:ACPower:FREQUENCY:STEP:AUTO</a>
<b>Arguments</b>	<value> :: <NRf> specifies the frequency step size. Range: 0 to 6.2 GHz (RSA6106A) / 14 GHz (RSA6114A).
<b>Examples</b>	SENSE:ACPOWER:FREQUENCY:STEP 1kHz sets the frequency step size to 1 kHz.

## [SENSe]:ACPower:FREQUENCY:STEP:AUTO

Determines whether to set the frequency step size automatically or manually in the Channel power and ACPR measurement.

<b>Conditions</b>	Measurement views: Channel power and ACPR
<b>Group</b>	Sense commands
<b>Syntax</b>	[SENSe]:ACPower:FREQUENCY:STEP:AUTO { OFF   ON   0   1 } [SENSe]:ACPower:FREQUENCY:STEP:AUTO?
<b>Arguments</b>	OFF or 0 specifies that the frequency step size is set manually using the [SENSe]:ACPower:FREQUENCY:STEP command. ON or 1 specifies that the frequency step size is set automatically.
<b>Examples</b>	SENSE:ACPOWER:FREQUENCY:STEP:AUTO ON specifies that the frequency step size is set automatically.

## [SENSe]:ACPower:NFLoor:STATE

Determines whether to enable or disable the correction for noise floor.

<b>Conditions</b>	Measurement views: Channel power and ACPR
<b>Group</b>	Sense commands
<b>Syntax</b>	[SENSe]:ACPower:NFLoor:STATE { OFF   ON   0   1 } [SENSe]:ACPower:NFLoor:STATE?
<b>Arguments</b>	OFF or 0 disables the correction for noise floor. ON or 1 enables the correction for noise floor.
<b>Examples</b>	SENSE:ACPOWER:NFLOOR:STATE ON enables the correction for noise floor.

## [SENSe]:ACPower:POINts:COUNT

Sets or queries the number of points used for the trace in the Channel Power and ACPR measurement.

<b>Conditions</b>	Measurement views: Channel power and ACPR
<b>Group</b>	Sense commands
<b>Syntax</b>	[SENSe]:ACPower:POINts:COUNT { P801   P2401   P4001   P8001   P10801 } [SENSe]:ACPower:POINts:COUNT?
<b>Arguments</b>	RTBandwidth optimizes the measurement for real-time bandwidth. DRANge optimizes the measurement for dynamic range.
<b>Examples</b>	SENSE:ACPOWER:POINTS:COUNT P4001 sets the number of points used in the trace of the Channel Power and ACPR display to 4001.

## [SENSe]:ACPower:RRCRolloff

Sets or queries the filter parameter (roll-off ratio) for the Root Raised Cosine filter.

<b>Conditions</b>	Measurement views: Channel power and ACPR
<b>Group</b>	Sense commands
<b>Syntax</b>	[SENSe]:ACPower:RRCRolloff <value> [SENSe]:ACPower:RRCRolloff?
<b>Related Commands</b>	<a href="#">[SENSe]:ACPower:CHANnel:FILTer</a>
<b>Arguments</b>	<value> :: <NRf> specifies the filter parameter. Range: 0.0001 to 1 in 0.0001 steps.
<b>Examples</b>	SENSE:ACPOWER:RRCROLLOFF 0.3 sets the filter parameter to 0.3.

**[SENSe]:ACQuisition:{BANDwidth|BWIDth}**

Sets or queries the acquisition bandwidth (frequency range of the acquisition) when **[SENSe]:ACQuisition:MODE** is set to **SAMPles** or **LENGth**.

<b>Conditions</b>	Measurement views: All
<b>Group</b>	Sense commands
<b>Syntax</b>	<b>[SENSe]:ACQuisition:{BANDwidth BWIDth} &lt;value&gt;</b> <b>[SENSe]:ACQuisition:{BANDwidth BWIDth}?</b>
<b>Arguments</b>	<b>&lt;value&gt; :: &lt;Nrf&gt;</b> specifies the acquisition bandwidth. Range: 1 MHz to 40 MHz (Standard) / 110 MHz (Option 110).
<b>Examples</b>	<b>SENSe:ACQUSITION:BANDWIDTH 30MHZ</b> sets the acquisition bandwidth to 30 MHz.

**[SENSe]:ACQuisition:FFRame:ACTual? (Query Only)**

Queries the actual number of Fast Frames.

<b>Conditions</b>	Measurement views: All
<b>Group</b>	Sense commands
<b>Syntax</b>	<b>[SENSe]:ACQuisition:FFRame:ACTual?</b>
<b>Arguments</b>	None
<b>Returns</b>	<b>&lt;NR1&gt;</b> The actual number of Fast Frames.
<b>Examples</b>	<b>SENSe:ACQUSITION:FFRAME:ACTUAL?</b> might return 178, indicating that the actual number of Fast Frames is 178.

## [SENSe]:ACQuisition:FFRame:LIMit

Sets or queries the limit number of Fast Frames.

<b>Conditions</b>	Measurement views: All
<b>Group</b>	Sense commands
<b>Syntax</b>	[SENSe]:ACQuisition:FFRame:LIMit [SENSe]:ACQuisition:FFRame:LIMit?
<b>Arguments</b>	<value> :: <NR1> specifies the fast frame limit. Range: 1 to 65535 frames.
<b>Examples</b>	SENSE:ACQUISITION:FFRAME:LIMIT 500 sets the Fast Frame limit to 500.

## [SENSe]:ACQuisition:FFRame:STATe

Determines whether to enable or disable the Fast Frame.

<b>Conditions</b>	Measurement views: All
<b>Group</b>	Sense commands
<b>Syntax</b>	[SENSe]:ACQuisition:FFRame:STATe { OFF   ON   0   1 } [SENSe]:ACQuisition:FFRame:STATe?
<b>Arguments</b>	OFF or 0 disables the Fast Frame. ON or 1 enables the Fast Frame.
<b>Examples</b>	SENSE:ACQUISITION:FFRAME:STATE ON enables the Fast Frame.

## [SENSe]:ACQuisition:FSAVe:ENAbLe

Set or queries the FastSave acquisition mode.

<b>Conditions</b>	Measurement views: All
-------------------	------------------------

<b>Group</b>	Sense commands
<b>Syntax</b>	[SENSE]:ACquisition:FSAVe:ENAbLe { OFF   ON   0   1 } [SENSE]:ACquisition:FSAVe:ENAbLe?
<b>Arguments</b>	OFF or 0 disables the FastSave acquisition. ON or 1 enables the FastSave acquisition.
<b>Examples</b>	SENSE:ACQUISITION:FSAVE:ENABLE ON enables the FastSave acquisition.

## [SENSE]:ACquisition:FSAVe:FORMat

Set or queries the FastSave file format.

<b>Conditions</b>	Measurement views: All
<b>Group</b>	Sense commands
<b>Syntax</b>	[SENSE]:ACquisition:FSAVe:FORMat { TIQ  MAT } [SENSE]:ACquisition:FSAVe:FORMat?
<b>Arguments</b>	TIQ selects the TIQ file format for FastSave acquisitions. MAT selects the MAT file format for FastSave acquisitions..
<b>Examples</b>	SENSE:ACQUISITION:FSAVE:FORMAT MAT selects the Matlab file format.

## [SENSE]:ACquisition:FSAVe:NAME:BASE

Set or queries the FastSave Base file name.

<b>Conditions</b>	Measurement views: All
<b>Group</b>	Sense commands
<b>Syntax</b>	[SENSE]:ACquisition:FSAVe:NAME:BASE <file_name> [SENSE]:ACquisition:FSAVe:NAME:BASE?

**Arguments** <file\_name> :: <string> specifies the base file name use for FastSave acquisitions.

**Examples** SENSE:ACQUISITION:FSAVE:NAME:BASE "FSAVE" sets the Base file name to FSAVE.

## [SENSE]:ACQuisition:FSAVe:LOCation

Set or queries the FastSave file save location (a directory).

**Conditions** Measurement views: All

**Group** Sense commands

**Syntax** [SENSE]:ACQuisition:FSAVe:LOCation <path>  
[SENSE]:ACQuisition:FSAVe:LOCation?

**Arguments** <path> :: <string> specifies the location where FastSave acquisitions will be saved.

**Examples** SENSE:ACQUISITION:FSAVE:LOCATION "C:\RSA6100A Files\Test\_folder" sets location where FastSave acquisitions are saved to C:\RSA6100A Files\Test\_folder.

## [SENSE]:ACQuisition:FSAVe:FILEs:MAXimum

Set or queries the FastSave maximum number of files saved per run.

**Conditions** Measurement views: All

**Group** Sense commands

**Syntax** [SENSE]:ACQuisition:FSAVe:FILEs:MAXimum <value>  
[SENSE]:ACQuisition:FSAVe:FILEs:MAXimum?

**Arguments** <value> :: <NR2> specifies the maximum number of files saved per run. Range: 1 to 1,000,000 files.

---

**NOTE.** *When the FILES:MAXimum is reached, an event is added to the event queue to indicate that saves are completed. Note that this same event is issued now when Trigger Actions Max total files is reached as well.*

---

**Examples**     SENSE:ACQUISITION:FSAVE:FILES:MAXIMUM 10 sets the maximum number of files saved per run to 10.

## [SENSE]:ACQUISITION:MEMORY:AVAILABLE:SAMPLES? (Query Only)

Returns the amount of acquisition memory available in the instrument.

**Conditions**     Measurement views: All

**Group**     Sense commands

**Syntax**     [SENSE]:ACQUISITION:MEMORY:AVAILABLE:SAMPLES?

**Arguments**     None

**Returns**     <NRF> The amount of acquisition memory available in samples.

**Examples**     SENSE:ACQUISITION:MEMORY:AVAILABLE:SAMPLES? might return 999.424E+3, indicating that 999424 samples are available.

## [SENSE]:ACQUISITION:MEMORY:CAPACITY[:TIME]? (Query Only)

Returns the acquisition memory capacity (maximum period of time that can be acquired with the acquisition memory).

**Conditions**     Measurement views: All

**Group**     Sense commands

**Syntax**     [SENSE]:ACQUISITION:MEMORY:CAPACITY[:TIME]?

**Arguments**     None



**Returns** <Nrf> The acquisition memory capacity in seconds.

**Examples** SENSE:ACQUISITION:MEMORY:CAPACITY:TIME? might return 26.651E-3, indicating that 26.651 ms can be acquired.

## [SENSe]:ACQuisition:MEMory:USED[:PERCent]? (Query Only)

Returns the percentage of the capacity used based on the current settings.

**Conditions** Measurement views: All

**Group** Sense commands

**Syntax** [SENSe]:ACQuisition:MEMory:USED[:PERCent]?

**Arguments** None

**Returns** <Nrf> The percentage of the capacity used.

**Examples** SENSE:ACQUISITION:MEMORY:USED:PERCENT? might return 50.0, indicating that 50% is used.

## [SENSe]:ACQuisition:MODE

Sets or queries the acquisition mode (how to determine the sampling parameters of acquisition bandwidth, samples, and length).

**Conditions** Measurement views: All

**Group** Sense commands

**Syntax** [SENSe]:ACQuisition:MODE { AUTO | SAMPlEs | LENGth }  
[SENSe]:ACQuisition:MODE?

**Related Commands** [SENSe]:ACQuisition:{BANDwidth|BWIDth}, [SENSe]:ACQuisition:SAMPlEs,  
[SENSe]:ACQuisition:SECOnds

<b>Arguments</b>	<p>AUTO sets the all sampling parameters automatically.</p> <p>SAMPles sets the acquisition bandwidth and samples manually, using the [SENSe]:ACQuisition: {BANDwidth BWIDth} and :SAMPles commands.</p> <p>LENGth sets the acquisition bandwidth and length manually, using the [SENSe]:ACQuisition: {BANDwidth BWIDth} and :SECOnds commands.</p>
<b>Examples</b>	<p>SENSE:ACQUISITION:MODE AUTO sets the all sampling parameters automatically.</p>

## [SENSe]:ACQuisition:OPTimization

Sets or queries the method of the global gain and input bandwidth optimization.

This command replaces the following commands:

- [:SENSe]:ACPower:OPTimize:SPAN(?)
- [:SENSe]:DPX: {BANDwidth|BWIDth}:OPTimization(?)
- [:SENSe]:SGRam: {BANDwidth|BWIDTH}:OPTimization(?)
- [:SENSe]:SPECTrum: {BANDwidth|BWIDTH}:OPTimization(?)
- [:SENSe]:MCPower:OPTimize:SPAN(?)

When a setup or tiq file that was created with an earlier version of software is recalled, the instrument selects a setting for the global optimization that will result in the recalled measurement-specific optimizations. If recalled measurements have conflicting optimizations, then the instrument selects one of the optimizations and issues a GPIB event (event number 108).

<b>Conditions</b>	Measurement views: Spectrum, DPX Spectrum, Spectrogram, ACPR, MCPR
<b>Group</b>	Sense commands
<b>Syntax</b>	<pre>[SENSe]:ACQuisition:OPTimization { BEST   AUTO   MAXDynrange   MINNoise   MINTime } [SENSe]:ACQuisition:OPTimization?</pre>
<b>Arguments</b>	<p>BEST (Best for multiple displays) causes the instrument to evaluate all the open displays and select an Acquisition Bandwidth wide enough to satisfy as many measurements as possible</p> <p>AUTO sets the gain and input bandwidth for an optimized trade-off of the competing performance choices.</p>

MAXDynrange optimizes the gain and input bandwidth to maximize the dynamic range.

MINNoise optimizes the gain and input bandwidth to minimize noise.

MINTime optimizes the gain and input bandwidth to minimize sweep time.

**Examples**    SENSE:SPECTRUM:BANDWIDTH:OPTIMIZATION AUTO optimizes automatically the gain and input bandwidth.

## [SENSE]:ACQUISITION:SAMPLES

Sets or queries the acquisition samples (number of samples acquired over the acquisition time) when [SENSE]:ACQUISITION:MODE is set to SAMPLES.

**Conditions**    Measurement views: All

**Group**        Sense commands

**Syntax**        [SENSE]:ACQUISITION:SAMPLES <value>  
[SENSE]:ACQUISITION:SAMPLES?

**Arguments**    <value> :: <NR1> specifies the acquisition samples. Range: 2 to 1 G samples.

**Examples**        SENSE:ACQUISITION:SAMPLES 1114 sets the acquisition samples to 1114.

## [SENSE]:ACQUISITION:SECONDS

Sets or queries the acquisition length (time over which the acquisition occurs) when [SENSE]:ACQUISITION:MODE is set to LENGTH.

**Conditions**    Measurement views: All

**Group**        Sense commands

**Syntax**        [SENSE]:ACQUISITION:SECONDS <value>  
[SENSE]:ACQUISITION:SECONDS?

**Arguments**    <value> :: <NRf> specifies the acquisition length.

**Examples**     `SENSE:ACQUISITION:SAMPLES 12.5ms` sets the acquisition length to 12.5 ms.

## **[SENSe]:{AM|FM|PM}:{BANDwidth|BWIDTH}:MEASurement**

Sets measurement bandwidth for the AM, FM, or PM demodulation to analyze.

**Conditions**     Measurement views: AM, FM, PM

**Group**            Sense commands

**Syntax**            `[SENSe]:{AM|FM|PM}:{BANDwidth|BWIDTH}:MEASurement <value>`  
`[SENSe]:{AM|FM|PM}:{BANDwidth|BWIDTH}:MEASurement?`

**Related Commands**     [FETCh:{AM|FM|PM}?](#)

[READ:AM:RESult?](#)

[READ:FM:RESult?](#)

[READ:PM:RESult?](#)

**Arguments**        `<value> :: <NRF>` specifies the demodulation bandwidth for the specified modulation type.

**Examples**         `SENSE:AM:BANDwidth:MEASurement 1e6` sets the amplitude demodulation bandwidth to 1 MHz.

## **[SENSe]:{AM|FM|PM}:CLEar:RESults (No Query Form)**

Clear results in the AM/FM/PM measurement.

**Conditions**        Measurement views: AM, FM, PM

**Group**            Sense commands

**Syntax**            `[SENSe]:{AM|FM|PM}:CLEar:RESults`

**Arguments**        None

**Examples**    `SENSE:AM:CLEAR:RESULTS` clears results in the AM measurement.

## **[SENSe]:{AM|FM|PM}:{MTPoints|MAXTracepoints}**

Sets or queries the maximum trace points in the AM/FM/PM measurement.

**Conditions**    Measurement views: AM, FM, PM

**Group**    Sense commands

**Syntax**    `[SENSe]:{AM|FM|PM}:{MTPoints|MAXTracepoints} { ONEK | TENK | HUNDredk | NDECimate | NEVerdecimate }`  
`[SENSe]:{AM|FM|PM}:{MTPoints|MAXTracepoints}?`

**Arguments**    The following table lists the arguments.

Argument	Maximum trace points
ONEK	1k
TENK	10k
HUNDredk	100k
NDECimate or NEVerdecimate	Never decimate

**Examples**    `SENSE:AM:MTPOINTS ONEK` selects the maximum trace points of 1000 in the AM measurement.

## **[SENSe]:AM:DETECT:AMPLitude**

Sets or queries the carrier amplitude detection method used to determine the 0% reference modulation in the AM measurement.

**Conditions**    Measurement views: AM

**Group**    Sense commands

**Syntax**    `[SENSe]:AM:DETECT:AMPLitude { AVERage | MEDian }`  
`[SENSe]:AM:DETECT:AMPLitude?`

<b>Arguments</b>	<p><b>AVERage</b> defines the 0% reference modulation as the average amplitude in the analysis range (default).</p> <p><b>MEDian</b> defines the 0% reference modulation as the median amplitude <math>((\text{maximum})+(\text{minimum}))/2</math> in the analysis range.</p>
<b>Examples</b>	<p><b>SENSE:AM:DETECT:AMPLITUDE AVERage</b> defines the 0% modulation as the average amplitude in the analysis range.</p>

## [SENSe]:ANALysis:ADVanced:DITHer

Determines whether to enable or disable dithering, or set it automatically.

Dither is a random low-level signal consisting of white noise of one quantizing level peak-to-peak amplitude which may be added to an analog signal prior to sampling for the purpose of minimizing quantization error.

<b>Conditions</b>	Measurement views: All
<b>Group</b>	Sense commands
<b>Syntax</b>	<pre>[SENSe]:ANALysis:ADVanced:DITHer { AUTO   ON   OFF } [SENSe]:ANALysis:ADVanced:DITHer?</pre>
<b>Arguments</b>	<p><b>AUTO</b> specifies that the dither is set automatically.</p> <p><b>ON</b> enables dithering.</p> <p><b>OFF</b> disables dithering.</p>
<b>Examples</b>	<p><b>SENSE:ANALYSIS:ADVANCED:DITHER ON</b> enables dithering.</p>

## [SENSe]:ANALysis:ADVanced:DITHer:HWAre:STATus? (Query Only)

Queries the dithering hardware status.

<b>Conditions</b>	Measurement views: All
<b>Group</b>	Sense commands

<b>Syntax</b>	<code>[SENSe]:ANALysis:ADVanced:DITHer:HWAre:STATus?</code>
<b>Arguments</b>	None
<b>Returns</b>	One of the following status information.

**Table 2-36: Dithering status**

Status	Description
DUNaligned	Dithering is disabled and unaligned.
ON	Dithering is enabled
OFF	Dithering is disabled.

**Examples** `SENSE:ANALYSIS:ADVANCED:DITHER:HWARE:STATUS?` might return OFF, indicating that the dithering is disabled.

## [SENSe]:ANALysis:LENGth

Sets or queries the analysis length. Programming a specified length sets `[SENSe]:ANALysis:AUTO OFF`.

<b>Conditions</b>	Measurement views: All
<b>Group</b>	Sense commands
<b>Syntax</b>	<code>[SENSe]:ANALysis:LENGth &lt;value&gt;</code> <code>[SENSe]:ANALysis:LENGth?</code>
<b>Related Commands</b>	<a href="#">[SENSe]:ANALysis:LENGth:AUTO</a>
<b>Arguments</b>	<code>&lt;value&gt; :: &lt;NRf&gt;</code> specifies the analysis length. Range: 10 ns to $[(\text{acquisition length}) - 400 \text{ ns}]$ .  If $[(\text{analysis start}) + (\text{analysis length})] > [(\text{acquisition length}) - 400 \text{ ns}]$ , the actual analysis length is reduced to $[(\text{acquisition length}) - 200 \text{ ns}]$ .
<b>Examples</b>	<code>SENSE:ANALYSIS:LENGTH 25.625us</code> sets the analysis length to 25.625 $\mu\text{s}$ .

## [SENSe]:ANALysis:LENGth:ACTual? (Query Only)

Queries the actual analysis length.

<b>Conditions</b>	Measurement views: All
<b>Group</b>	Sense commands
<b>Syntax</b>	[SENSe]:ANALysis:LENGth:ACTual?
<b>Arguments</b>	None
<b>Returns</b>	<NRF> Actual analysis length in seconds.
<b>Examples</b>	SENSe:ANALYSIS:LENGTH:ACTUAL? might return 25.625E-6, indicating that the actual analysis length is 25.625 $\mu$ s.

## [SENSe]:ANALysis:LENGth:AUTO

Determines whether to set the analysis length automatically or manually.

<b>Conditions</b>	Measurement views: All
<b>Group</b>	Sense commands
<b>Syntax</b>	[SENSe]:ANALysis:LENGth:AUTO { OFF   ON   0   1 } [SENSe]:ANALysis:LENGth:AUTO?
<b>Arguments</b>	OFF or 0 sets the analysis length manually, using the <a href="#">[SENSe]:ANALysis:LENGth</a> command. ON or 1 sets the analysis length automatically.
<b>Examples</b>	SENSe:ANALYSIS:LENGTH:AUTO ON sets the analysis length automatically.



## [SENSe]:ANALysis:REFerence

Sets or queries the analysis time reference.

<b>Conditions</b>	Measurement views: All
<b>Group</b>	Sense commands
<b>Syntax</b>	[SENSe]:ANALysis:REFerence { ACQSTART   TRIGGER } [SENSe]:ANALysis:REFerence?
<b>Arguments</b>	ACQSTART specifies the acquisition start as the time zero reference. TRIGGER specifies the trigger point as the time zero reference.
<b>Examples</b>	SENSE:ANALYSIS:REFERENCE ACQSTART specifies the acquisition start as the analysis time reference.

## [SENSe]:ANALysis:START

Sets or queries the analysis offset time. Programming a specified offset time sets [SENSe]:ANALysis:START:AUTO OFF.

<b>Conditions</b>	Measurement views: All
<b>Group</b>	Sense commands
<b>Syntax</b>	[SENSe]:ANALysis:START <value> [SENSe]:ANALysis:START?
<b>Related Commands</b>	<a href="#">[SENSe]:ANALysis:LENGth</a> , <a href="#">[SENSe]:ANALysis:START:AUTO</a>
<b>Arguments</b>	<value> :: <Nrf> specifies the analysis offset time. Range: 0 to [(acquisition length) - 200 ns].  If [(analysis start) + (analysis length)] > [(acquisition length) - 400 ns], the actual analysis length is reduced to [(acquisition length) - 200 ns].
<b>Examples</b>	SENSE:ANALYSIS:START 23.5us sets the analysis offset to 23.5 $\mu$ s.

## [SENSe]:ANALysis:START:AUTO

Determines whether to set the analysis offset automatically or manually.

<b>Conditions</b>	Measurement views: All
<b>Group</b>	Sense commands
<b>Syntax</b>	[SENSe]:ANALysis:START:AUTO { OFF   ON   0   1 } [SENSe]:ANALysis:START:AUTO?
<b>Arguments</b>	OFF or 0 sets the analysis offset manually, using the [SENSe]:ANALysis:START command. ON or 1 sets the analysis offset automatically.
<b>Examples</b>	SENSE:ANALYSIS:START:AUTO ON sets the analysis offset automatically.

## [SENSe]:ANSPectrum:START:AUTO:METHod

Sets or queries the method used for computing auto analysis and spectrum offsets when [SENSe]:ANALysis:REFeRence is set to TRIGger.

<b>Conditions</b>	Measurement views: All
<b>Group</b>	Sense commands
<b>Syntax</b>	[SENSe]:ANSPectrum:START:AUTO:METHod { INCLude   LEGAcy } [SENSe]:ANSPectrum:START:AUTO:METHod?
<b>Arguments</b>	INCLude includes the trigger point. LEGAcy starts a trigger point.
<b>Examples</b>	SENSE:ANSPPECTRUM:START:AUTO:METHOD INCLUDE includes the trigger point.

## [SENSe]:AUDio:AVERAge:COUNT

Sets or queries the number of harmonics to average in the audio measurement.

The range is from 2 to 20

<b>Conditions</b>	Measurement views: Audio Spectrum
<b>Group</b>	Sense commands
<b>Syntax</b>	[SENSe]:AUDio:AVERAge:COUNT <average_value> [SENSe]:AUDio:AVERAge:COUNT?
<b>Arguments</b>	<average_value> ::= <NR1> the number of harmonics to average. .
<b>Examples</b>	[SENSe]:AUDIO:AVERAGE:COUNT 10 sets the number of harmonics to average to 10.

## [SENSe]:AUDio:AVERAge:ENABLE

Enables or disables averaging of harmonics in the audio measurement.

<b>Conditions</b>	Measurement views: Audio Spectrum
<b>Group</b>	Sense commands
<b>Syntax</b>	[SENSe]:AUDio:AVERAge:ENABLE { OFF   ON   0   1 } [SENSe]:AUDio:AVERAge:ENABLE?
<b>Arguments</b>	OFF or 0 turns averaging off. ON or 1 turns averaging on.
<b>Examples</b>	[SENSe]:AUDIO:AVERAGE:ENABLE ON turns on averaging of harmonics in the audio measurement.

## [SENSe]:AUDio:BANDwidth|BWIDth

Sets or queries the audio measurement bandwidth.

<b>Conditions</b>	Measurement views: Audio Spectrum
<b>Group</b>	Sense commands
<b>Syntax</b>	[SENSE]:AUDIO:BANDwidth BWIDth <value> [SENSE]:AUDIO:BANDwidth BWIDth?
<b>Arguments</b>	<value> ::= <NR3> the audio measurement bandwidth value.
<b>Examples</b>	[SENSE]:AUDIO:BANDWIDTH BWIDTh 20.5E+3 sets the audio measurement bandwidth to 20.5 kHz.

## [SENSE]:AUDIO:BANDwidth|BWIDth:RESolution

Sets or queries the resolution bandwidth for the audio measurement.

<b>Conditions</b>	Measurement views: Audio Spectrum
<b>Group</b>	Sense commands
<b>Syntax</b>	[SENSE]:AUDIO:BANDwidth BWIDth:RESolution <value> [SENSE]:AUDIO:BANDwidth BWIDth:RESolution?
<b>Arguments</b>	<value> ::= <NR3> the resolution bandwidth value.
<b>Examples</b>	[SENSE]:AUDIO:BANDWIDTH BWIDTh:RESOLUTION 40 sets the resolution bandwidth to 40 Hz.

## [SENSE]:AUDIO:BANDwidth|BWIDth:RESolution:AUTO

Determines whether to set the resolution bandwidth frequency automatically or manually.

<b>Conditions</b>	Measurement views: Audio Spectrum
<b>Group</b>	Sense commands

<b>Syntax</b>	<code>[SENSe]:AUDio:BAWIDth BWIDth:RESolution:AUTO { OFF   ON   0   1 }</code> <code>[SENSe]:AUDio:BAWIDth BWIDth:RESolution:AUTO?</code>
<b>Arguments</b>	OFF or 0 specifies the resolution bandwidth is set manually. ON or 1 specifies the resolution bandwidth is set automatically.
<b>Examples</b>	<code>[SENSe]:AUDIO:BAWIDTH BWIDTH:RESOLUTION:AUTO ON</code> sets the resolution bandwidth automatically.

## **[SENSe]:AUDio:BAWIDth|BWIDth:RESolution:SHAPE**

Sets or queries the shape of the resolution bandwidth for the audio measurement.

<b>Conditions</b>	Measurement views: Audio Spectrum
<b>Group</b>	Sense commands
<b>Syntax</b>	<code>[SENSe]:AUDio:BAWIDth BWIDth:RESolution:SHAPE { FLATtop   KAISer }</code> <code>[SENSe]:AUDio:BAWIDth BWIDth:RESolution:SHAPE?</code>
<b>Arguments</b>	FLATtop sets the resolution bandwidth shape to Flattop. KAISer sets the resolution bandwidth shape to Kaiser.
<b>Examples</b>	<code>[SENSe]:AUDIO:BAWIDTH BWIDTH:RESOLUTION:SHAPE FLATtop</code> sets the resolution bandwidth to Flattop for the audio measurement.

## **[SENSe]:AUDio:CARRier:OFFSet**

Sets or queries the carrier frequency offset. This selection is available for FM or PM measurements.

<b>Conditions</b>	Measurement views: Audio Spectrum
<b>Group</b>	Sense commands

**Syntax** [SENSe]:AUDio:CARRier:OFFSet <value>  
[SENSe]:AUDio:CARRier:OFFSet?

**Arguments** <value> ::= <NR3> the carrier frequency offset value.

**Examples** [SENSe]:AUDIO:CARRIER:OFFSET 422.5 sets the carrier frequency offset to 422.5 Hz.

## [SENSe]:AUDio:CARRier:OFFSet:AUTO

Determines whether to set the carrier frequency error automatically or manually. This selection is available FM or PM measurements.

**Conditions** Measurement views: Audio Spectrum

**Group** Sense commands

**Syntax** [SENSe]:AUDio:CARRier:OFFSet:AUTO { OFF | ON | 0 | 1 }  
[SENSe]:AUDio:CARRier:OFFSet:AUTO?

**Arguments** OFF or 0 specifies the carrier frequency error is set manually.  
ON or 1 specifies the carrier frequency error is set automatically.

**Examples** [SENSe]:AUDIO:CARRIER:OFFSET:AUTO ON sets the carrier frequency error automatically.

## [SENSe]:AUDio:FILTer:DEEMphasis

Sets or queries the de-emphasis filter type.

**Conditions** Measurement views: Audio Spectrum

**Group** Sense commands

**Syntax** [SENSe]:AUDio:FILTer:DEEMphasis { U25 | U50 | U75 | U750 | USER }  
[SENSe]:AUDio:FILTer:DEEMphasis?

<b>Arguments</b>	U25 specifies the 25 $\mu$ s filter. U50 specifies the 50 $\mu$ s filter. U75 specifies the 75 $\mu$ s filter. U750 specifies the 750 $\mu$ s filter. USER specifies a user-defined filter.
<b>Examples</b>	[SENSE]:AUDIO:FILTER:DEEMPHASIS U50 specifies the 50 $\mu$ s filter for the audio measurement.

## [SENSe]:AUDio:FILTer:DEEMphasis:ENABLE

Enables or disables the de-emphasis filter for the audio measurement.

<b>Conditions</b>	Measurement views: Audio Spectrum
<b>Group</b>	Sense commands
<b>Syntax</b>	[SENSe]:AUDio:FILTer:DEEMphasis:ENABLE { OFF   ON   0   1 } [SENSe]:AUDio:FILTer:DEEMphasis:ENABLE?
<b>Arguments</b>	OFF or 0 turns off the de-emphasis filter. ON or 1 turns on the de-emphasis filter.
<b>Examples</b>	[SENSE]:AUDIO:FILTER:DEEMPHASIS:ENABLE ON turns on the de-emphasis filter.

## [SENSe]:AUDio:FILTer:DEEMphasis:USER

Sets or queries a user-defined de-emphasis audio filter.

<b>Conditions</b>	Measurement views: Audio Spectrum
<b>Group</b>	Sense commands
<b>Syntax</b>	[SENSe]:AUDio:FILTer:DEEMphasis:USER <value> [SENSe]:AUDio:FILTer:DEEMphasis:USER?

**Arguments** <value> ::= <NR3> the value of the user defined filter.

**Examples** [SENSE]:AUDIO:FILTER:DEEMPHASIS:USER 50.0E-6 sets the user-defined de-emphasis filter to 50  $\mu$ s.

## [SENSe]:AUDio:FILTer:HPF

Sets or queries the high-pass filter type.

**Conditions** Measurement views: Audio Spectrum

**Group** Sense commands

**Syntax** [SENSe]:AUDio:FILTer:HPF { H20 | H50 | H300 | H400 | USER }  
[SENSe]:AUDio:FILTer:HPF?

**Arguments** H20 specifies the 20 Hz filter.  
H50 specifies the 50 Hz filter.  
H300 specifies the 300 Hz filter.  
H400 specifies the 400 Hz filter.  
USER specifies a user-defined filter.

**Examples** [SENSE]:AUDIO:FILTER:HPF H300 specifies the 300 Hz filter for the audio measurement.

## [SENSe]:AUDio:FILTer:HPF:ENABLE

Enables or disables the high-pass audio filter for the audio measurement.

**Conditions** Measurement views: Audio Spectrum

**Group** Sense commands

**Syntax** [SENSe]:AUDio:FILTer:HPF:ENABle { OFF | ON | 0 | 1 }  
[SENSe]:AUDio:FILTer:HPF:ENABle?



**Arguments** OFF or 0 turns the high-pass audio filter off.  
ON or 1 turns the high-pass audio filter on.

**Examples** [SENSE]:AUDIO:FILTER:HPF:ENABLE ON turns the high-pass audio filter on.

## [SENSe]:AUDio:FILTer:HPF:USER

Sets or queries a user-defined high-pass audio filter.

**Conditions** Measurement views: Audio Spectrum

**Group** Sense commands

**Syntax** [SENSe]:AUDio:FILTer:HPF:USER <value>  
[SENSe]:AUDio:FILTer:HPF:USER?

**Arguments** <value> ::= <NR3> the value of the user defined filter.

**Examples** [SENSE]:AUDIO:FILTER:HPF:USER 50 sets the user-defined high-pass filter to 50 Hz.

## [SENSe]:AUDio:FILTer:LPF

Sets or queries the low-pass filter type.

**Conditions** Measurement views: Audio Spectrum

**Group** Sense commands

**Syntax** [SENSe]:AUDio:FILTer:LPF { H300 | H3K | H15K | H30K | H80K  
| H300K | USER }  
[SENSe]:AUDio:FILTer:LPF?

**Arguments** H300 specifies the 300 Hz filter.  
H3K specifies the 3 kHz filter.  
H15 specifies the 15 kHz filter.

H30K specifies the 30 kHz filter.

H80K specifies the 80 kHz filter.

H300K specifies the 300 kHz filter.

USER specifies a user-defined filter.

**Examples** [SENSE]:AUDIO:FILTER:LPF H300 specifies the 300 Hz filter for the audio measurement.

## [SENSE]:AUDIO:FILTER:LPF:ENABLE

Enables or disables the low-pass filter for the audio measurement.

**Conditions** Measurement views: Audio Spectrum

**Group** Sense commands

**Syntax** [SENSE]:AUDIO:FILTER:LPF:ENABLE { OFF | ON | 0 | 1 }  
[SENSE]:AUDIO:FILTER:LPF:ENABLE?

**Arguments** OFF or 0 turns the low-pass audio filter off.  
ON or 1 turns the low-pass audio filter on.

**Examples** [SENSE]:AUDIO:FILTER:LPF:ENABLE ON turns the low-pass filter on.

## [SENSE]:AUDIO:FILTER:LPF:USER

Sets or queries a user-defined low-pass audio filter.

**Conditions** Measurement views: Audio Spectrum

**Group** Sense commands

**Syntax** [SENSE]:AUDIO:FILTER:LPF:USER <value>  
[SENSE]:AUDIO:FILTER:LPF:USER?

**Arguments** <value> ::= <NR3> the value of the user defined filter.

**Examples** [SENSE]:AUDIO:FILTER:LPF:USER 1500 sets the user-defined low-pass filter to 1.50 kHz.

## [SENSe]:AUDio:FILTer:MODE:PREDefined

Selects a predefined audio filter or a filter stored on the instrument file system.

**Conditions** Measurement views: Audio Spectrum

**Group** Sense commands

**Syntax** [SENSe]:AUDio:FILTer:MODE:PREDefined { OFF | ON | 0 | 1 }  
[SENSe]:AUDio:FILTer:MODE:PREDefined?

**Arguments** OFF or 0 specifies the predefined filter on the file system. The file is specified by the [SENSe]:AUDio:FILTer:SOURce? command.

ON or 1 specifies the filter will be one of the selected predefined filters.

**Examples** [SENSE]:AUDIO:FILTER:MODE:PREDEFINED ON specifies the filter will be one of the predefined filters.

## [SENSe]:AUDio:FILTer:SOURce? (Query Only)

Queries the measurement filter from the user-defined source file.

**Conditions** Measurement views: Audio Spectrum

**Group** Sense commands

**Syntax** [SENSe]:AUDio:FILTer:SOURce?

**Related Commands** [\[SENSe\]:AUDio:FILTer:MODE:PREDefined](#)

**Arguments** None

**Returns** <file name> ::= <string> the name of the predefined filter.

**Examples** [SENSE]:AUDIO:FILTER:SOURCE? AUD-Test3 loads the predefined filter “AUD-Test3.”

## [SENSe]:AUDio:FiLTer:STANdard

Sets or queries the Standard audio filter.

**Conditions** Measurement views: Audio Spectrum

**Group** Sense commands

**Syntax** [SENSe]:AUDio:FiLTer:STANdard { CCITT | CMSG }  
[SENSe]:AUDio:FiLTer:STANdard?

**Arguments** CCITT specifies the CCITT Standard filter.  
CMSG specifies the CMSG Standard filter.

**Examples** [SENSE]:AUDIO:FILTER:STANDARD CCITT specifies the CCITT Standard filter.

## [SENSe]:AUDio:FiLTer:STANdard:ENABle

Enables or disables a Standard filter for the audio measurement.

**Conditions** Measurement views: Audio Spectrum

**Group** Sense commands

**Syntax** [SENSe]:AUDio:FiLTer:STANdard:ENABle { OFF | ON | 0 | 1 }  
[SENSe]:AUDio:FiLTer:STANdard:ENABle?

**Arguments** OFF or 0 turns the standard filter off.  
ON or 1 turns the standard audio filter on.

**Examples** [SENSE]:AUDIO:FILTER:STANDARD:ENABLE ON turns the Standard filter on.

## [SENSe]:AUDio:FREQuency

Sets or queries the reference audio frequency.

**Conditions** Measurement views: Audio Spectrum

**Group** Sense commands

**Syntax** [SENSe]:AUDio:FREQuency <value>  
[SENSe]:AUDio:FREQuency?

**Arguments** <value> ::= <NR3> the reference audio frequency.

**Examples** [SENSe]:AUDio:FREQuency? might return 5.824000000E+3 indicating that the reference audio frequency is 5.824 kHz.

## [SENSe]:AUDio:FREQuency:AUTO

Determines whether to set the reference audio frequency automatically or manually.

**Conditions** Measurement views: Audio Spectrum

**Group** Sense commands

**Syntax** [SENSe]:AUDio:FREQuency:AUTO { OFF | ON | 0 | 1 }  
[SENSe]:AUDio:FREQuency:AUTO?

**Arguments** OFF or 0 specifies the audio reference frequency is set manually.  
ON or 1 specifies the audio reference frequency is set automatically.

**Examples** [SENSe]:AUDio:FREQuency:AUTO ON sets the audio reference frequency automatically.

## [SENSe]:AUDio:HNOise:ENABLE

Enables or disables the Hum and Noise information in the Audio Summary display.

<b>Conditions</b>	Measurement views: Audio Summary
<b>Group</b>	Sense commands
<b>Syntax</b>	[SENSE]:AUDIO:HNOISE:ENABLE { OFF   ON   0   1 } [SENSE]:AUDIO:HNOISE:ENABLE?
<b>Related Commands</b>	<a href="#">[SENSE]:AUDIO:HNOISE:REFERENCE</a>
<b>Arguments</b>	OFF or 0 turns off the Hum and Noise information in Audio Summary display. On or 1 turns on the Hum and Noise information in the Audio Summary display.
<b>Examples</b>	[SENSE]:AUDIO:HNOISE:ENABLE OFF turns off the Hum and Noise information in the Audio Spectrum display.

## [SENSE]:AUDIO:HNOISE:REFERENCE (No Query Form)

Captures the current Hum and Noise information in the Audio Summary display.

<b>Conditions</b>	Measurement views: Audio Summary
<b>Group</b>	Sense commands
<b>Syntax</b>	[SENSE]:AUDIO:HNOISE:REFERENCE
<b>Related Commands</b>	<a href="#">[SENSE]:AUDIO:HNOISE:ENABLE</a>
<b>Arguments</b>	None
<b>Examples</b>	[SENSE]:AUDIO:HNOISE:REFERENCE shows the current Hum and Noise information in the Audio Summary display.

## [SENSE]:AUDIO:SIGNAL:TYPE

Sets or queries the audio signal type.

The signal type selection determines the available selections for the [\[SENSE\]:AUDIO:UNITs](#) command.

**Conditions** Measurement views: Audio Spectrum

**Group** Sense commands

**Syntax** `[SENSE]:AUDIO:SIGNAL:TYPE { AM | FM | DIRECT | PM }`  
`[SENSE]:AUDIO:SIGNAL:TYPE?`

**Related Commands** [\[SENSE\]:AUDIO:UNITs](#)

**Arguments** AM sets the signal type to amplitude modulation.  
FM sets the signal type to frequency modulation.  
DIRECT sets the signal type to direct modulation.  
PM sets the signal type to pulse modulation.

**Returns**

**Examples** `[SENSE]:AUDIO:SIGNAL:TYPE FM` sets the signal type to FM, frequency modulation for the audio spectrum measurement.

## **[SENSE]:AUDIO:SPECTrum:CLEar:RESuLts (No Query Form)**

Clears the results of the audio spectrum measurement.

**Conditions** Measurement views: Audio Spectrum

**Group** Sense commands

**Syntax** `[SENSE]:AUDIO:SPECTrum:CLEar:RESuLts`

**Arguments** None

## [SENSe]:AUDio:SPECTrum:POINts:COUNT

Sets or queries the number of trace points acquired for the audio spectrum display.

<b>Conditions</b>	Measurement views: Audio Spectrum
<b>Group</b>	Sense commands
<b>Syntax</b>	[SENSe]:AUDio:SPECTrum:POINts:COUNT { P801   P2401   P4001   P8001   P10401 } [SENSe]:AUDio:SPECTrum:POINts:COUNT?
<b>Arguments</b>	P801 sets the number of sample points to 801. P2401 sets the number of sample points to 2401. P4001 sets the number of sample points to 4001. P8001 sets the number of sample points to 8001. P10401 sets the number of sample points to 10401.
<b>Examples</b>	[SENSe]:AUDio:SPECTrum:POINts:COUNT P2401 sets the number of sample points to 2401 in the audio spectrum display.

## [SENSe]:AUDio:UNITs

Sets or queries the units of the audio spectrum measurement.

The available selections depend on signal type.

<b>Conditions</b>	Measurement views: Audio Spectrum
<b>Group</b>	Sense commands
<b>Syntax</b>	[SENSe]:AUDio:UNITs { AM   AM2   DBAM2   HZ   HZ2   DBHZ2   RAD   RAD2   DBRAD2   DBM   DBV   VOLts   WATTs } [SENSe]:AUDio:UNITs?
<b>Related Commands</b>	<a href="#">[SENSe]:AUDio:SIGnal:TYPE</a>



**Arguments** The following table lists the arguments.

Argument	Unit	Signal type
DBM	dBm	Direct
DBV	dBV	
VOLTs	Volts	
WATTs	Watts	
AM	am	AM
AM2	am <sup>2</sup>	
DBAM2	dBam <sup>2</sup>	
HZ	Hz	FM
HZ2	Hz <sup>2</sup>	
DBHZ2	dBHz <sup>2</sup>	
RAD	rad	PM
RAD2	rad <sup>2</sup>	
DBRAD2	dBrad <sup>2</sup>	

**Examples** [SENSE]:AUDIO:UNITS VOLTs sets the units to volts for the Direct signal type.

## [SENSE]:AVTime:{BANDwidth|BWIDth}

Sets or queries the time-domain bandwidth filter in the Amplitude versus Time measurement. Programming a specified bandwidth disables the [SENSE]:AVTime:SPAN setting.

**Conditions** Measurement views: Amplitude versus Time

**Group** Sense commands

**Syntax** [SENSE]:AVTime:{BANDwidth|BWIDth} <value>  
[SENSE]:AVTime:{BANDwidth|BWIDth}?

**Arguments** <value> :: <Nrf> specifies the filter bandwidth.  
Range: 1 Hz to 20 MHz (Standard) / 60 MHz (Option 110).

**Examples** SENSE:AVTIME:BANDWIDTH 10MHZ sets the filter bandwidth to 10 MHz.

## [SENSe]:AVTime:{BANDwidth|BWIDth}:ACTual? (Query Only)

Queries the actual time-domain bandwidth in the Amplitude versus Time measurement.

**Conditions** Measurement views: Amplitude versus Time

**Group** Sense commands

**Syntax** [SENSe]:AVTime:{BANDwidth|BWIDth}:ACTual?

**Arguments** None

**Returns** <NRF> The actual time-domain bandwidth in Hz.

**Examples** SENSE:AVTIME:BANDWIDTH:ACTUAL? might return 20E+6, indicating that the actual time-domain bandwidth is 20 MHz.

## [SENSe]:AVTime:CLEAr:RESuLts (No Query Form)

Restarts multi-trace functions (Average and Max/Min Hold).

**Conditions** Measurement views: Amplitude versus Time

**Group** Sense commands

**Syntax** [SENSe]:AVTime:CLEAr:RESuLts

**Arguments** None

**Examples** SENSE:AVTIME:CLEAR:RESULTS restarts multi-trace functions.

## [SENSe]:AVTime:MAXTracepoints

Sets or queries the maximum trace points in the Amplitude versus Time measurement.

<b>Conditions</b>	Measurement views: Amplitude versus Time
<b>Group</b>	Sense commands
<b>Syntax</b>	[SENSE]:AVTime:MAXTracepoints { ONEK   TENK   HUNDredk   NEVERdecimate } [SENSE]:AVTime:MAXTracepoints?
<b>Arguments</b>	ONEK sets the maximum trace points to 1 k. TENK sets the maximum trace points to 10 k. HUNDredk sets the maximum trace points to 100 k. NEVERdecimate never decimates the trace points.
<b>Examples</b>	SENSE:AVTIME:MAXTRACEPOINTS TENK sets the maximum trace points to 10 k.

## [SENSE]:AVTime:METHod

Sets or queries the method to set the measurement bandwidth in the Amplitude versus Time measurement.

<b>Conditions</b>	Measurement views: Amplitude versus Time
<b>Group</b>	Sense commands
<b>Syntax</b>	[SENSE]:AVTime:METHod { SPAN   TDBW } [SENSE]:AVTime:METHod?
<b>Arguments</b>	SPAN specifies that the measurement bandwidth is set by the frequency span, using the [SENSE]:AVTime:SPAN command.  TDBW specifies that the measurement bandwidth is set by the time-domain bandwidth, using the [SENSE]:AVTime:{BANDwidth BWIDTH} command.
<b>Examples</b>	SENSE:AVTIME:METHOD SPAN specifies that the measurement bandwidth is set by the frequency span.

## [SENSE]:AVTime:SPAN

Sets or queries the frequency span in the Amplitude versus Time measurement. Programming a specified span disables the [SENSE]:AVTime:{BANDwidth|BWIDth} setting.

<b>Conditions</b>	Measurement views: Amplitude versus Time
<b>Group</b>	Sense commands
<b>Syntax</b>	[SENSE]:AVTime:SPAN <value> [SENSE]:AVTime:SPAN?
<b>Arguments</b>	<value> :: <Nrf> specifies the frequency span. Range: 10 Hz to 40 MHz (Standard) / 110 MHz (Option 110)
<b>Examples</b>	SENSE:AVTIME:SPAN 5MHZ sets the frequency span to 5 MHz.

## [SENSE]:CCDF:{BANDwidth|BWIDth}

Sets or queries the CCDF measurement bandwidth (frequency span).

<b>Conditions</b>	Measurement views: CCDF
<b>Group</b>	Sense commands
<b>Syntax</b>	[SENSE]:CCDF:{BANDwidth BWIDth} <value> [SENSE]:CCDF:{BANDwidth BWIDth}?
<b>Arguments</b>	<value> :: <Nrf> is the CCDF measurement bandwidth. Range: 10 Hz to 40 MHz (Standard) / 60 MHz (Option 110).
<b>Examples</b>	SENSE:CCDF:BANDWIDTH 1MHZ sets the CCDF measurement bandwidth to 1 MHz.

## [SENSE]:CCDF:CLEAR (No Query Form)

Clears the CCDF accumulator and restarts the measurement.

---

<b>Conditions</b>	Measurement views: CCDF
<b>Group</b>	Sense commands
<b>Syntax</b>	[SENSE]:CCDF:CLEAr
<b>Arguments</b>	None
<b>Examples</b>	SENSE:CCDF:CLEAR clears the CCDF accumulator and restarts the measurement.

## [SENSE]:CCDF:TIME:TOTAL:LENGTH

Sets or queries the CCDF measurement time when [SENSE]:CCDF:TIME:TYPE is set to TOTAL.

<b>Conditions</b>	Measurement views: CCDF
<b>Group</b>	Sense commands
<b>Syntax</b>	[SENSE]:CCDF:TIME:TOTAL:LENGTH <value> [SENSE]:CCDF:TIME:TOTAL:LENGTH?
<b>Arguments</b>	<value> :: <Nrf> specifies the CCDF measurement time. Range: 20 ms to 100 s.
<b>Examples</b>	SENSE:CCDF:TIME:TOTAL:LENGTH 10 sets the CCDF measurement time to 10 s.

## [SENSE]:CCDF:TIME:TYPE

Determines how to repeat the CCDF measurement.

<b>Conditions</b>	Measurement views: CCDF
<b>Group</b>	Sense commands

<b>Syntax</b>	<code>[SENSe]:CCDF:TIME:TYPE { SINGLE   TOTAl   CONTInuous }</code> <code>[SENSe]:CCDF:TIME:TYPE?</code>
<b>Related Commands</b>	INITiate commands
<b>Arguments</b>	<p><code>SINGLE</code> specifies that the analyzer sets the analysis length to 1 ms and then acquire data once to calculate CCDF.</p> <p><code>TOTAl</code> specifies that the analyzer sets the analysis length to 20 ms and then repeats data acquisition and CCDF calculation for the time specified by the <code>[SENSe]:CCDF:TIME:TOTAl:LENGth</code> command.</p> <p><code>CONTInuous</code> specifies that the analyzer sets the analysis length to 1 ms and then repeats data acquisition and CCDF calculation continuously. To reset the process, use the <code>[SENSe]:CCDF:CLEAr</code> command or the INITiate commands.</p>
<b>Examples</b>	<code>SENSe:CCDF:TIME:TYPE SINGLE</code> specifies that the analyzer sets the analysis length to 1 ms and then acquire data once to calculate CCDF.

## `[SENSe]:DDEMod:ANALysis:LENGth`

Sets or queries the analysis length in seconds or symbols. The command `[SENSe]:DDEMod:TIME:UNITs` determines which is used. For example, if the symbol rate is 1 MHz and the acquisition length is 20 ms, the range may be 0 to 19999. Setting a specified length changes `[SENSe]:DDEMod:ANALysis:AUTO` to OFF.

<b>Conditions</b>	Measurement views: General purpose digital modulation
<b>Group</b>	Sense commands
<b>Syntax</b>	<code>[SENSe]:DDEMod:ANALysis:LENGth &lt;value&gt;</code> <code>[SENSe]:DDEMod:ANALysis:LENGth?</code>
<b>Related Commands</b>	<code>[SENSe]:DDEMod:ANALysis:LENGth:ACTual?</code> <code>[SENSe]:DDEMod:TIME:UNITs</code> <code>[SENSe]:DDEMod:ANALysis:LENGth:AUTO</code>
<b>Arguments</b>	<code>&lt;value&gt; :: &lt;NRf&gt;</code> specifies the analysis length in seconds or symbols. Range in seconds: 200 ns to [(acquisition length) - 400 ns].

If  $[(\text{analysis start}) + (\text{analysis length})] > [(\text{acquisition length}) - 400 \text{ ns}]$ , the actual analysis length is reduced to  $[(\text{acquisition length}) - 200 \text{ ns}]$ .

Range in symbols:  $200 \text{ ns} * (\text{symbol rate})$  to  $[(\text{acquisition length}) - 400 \text{ ns}] * (\text{symbol rate})$ .

If  $[(\text{analysis start}) + (\text{analysis length})] > [(\text{acquisition length}) - 400 \text{ ns}]$ , the actual analysis length is reduced to  $[(\text{acquisition length}) - 200 \text{ ns}] * (\text{symbol rate})$ .

**Examples**

`SENSE:DDEMOD:ANALYSIS:LENGTH 25.625us` sets the analysis length to 25.625  $\mu\text{s}$ .

`SENSE:DDEMOD:ANALYSIS:LENGTH 256` sets the analysis length to 256 symbols.

## [SENSe]:DDEMod:ANALysis:LENGth:ACTual? (Query Only)

Queries the actual analysis length which returns a value in either seconds or symbols. The command [SENSe]:DDEMod:TIME:UNITs determines which is used.

<b>Conditions</b>	Measurement views: General purpose digital modulation
<b>Group</b>	Sense commands
<b>Syntax</b>	[SENSe]:DDEMod:ANALysis:LENGth:ACTual?
<b>Related Commands</b>	<a href="#">[SENSe]:DDEMod:ANALysis:LENGth</a> <a href="#">[SENSe]:DDEMod:TIME:UNITs</a>
<b>Arguments</b>	None
<b>Returns</b>	<NRF> Actual analysis length in seconds or symbols.
<b>Examples</b>	SENSE:DDEMOD:ANALYSIS:LENGTH:ACTUAL? might return 25.625E-6, indicating that the actual analysis length is 25.625 $\mu$ s.

## [SENSe]:DDEMod:ANALysis:LENGth:AUTO

Determines whether to set the analysis length automatically or manually.

<b>Conditions</b>	Measurement views: General purpose digital modulation
<b>Group</b>	Sense commands
<b>Syntax</b>	[SENSe]:DDEMod:ANALysis:LENGth:AUTO { OFF   ON   0   1 } [SENSe]:DDEMod:ANALysis:LENGth:AUTO?
<b>Arguments</b>	OFF or 0 sets the analysis length manually, using the <a href="#">[SENSe]:DDEMod:ANALysis:LENGth</a> command. ON or 1 sets the analysis length automatically.



**Examples**     `SENSE:DDEMOD:ANALYSIS:LENGTH:AUTO ON` sets the analysis length automatically.

## **[SENSe]:DDEMod:{BANDwidth|BWIDth}:MODE**

Sets or queries the measurement bandwidth mode for Digital Demod measurements.

**Conditions**     Measurement views: General purpose digital modulation

**Group**     Sense group

**Syntax**     `[SENSe]:DDEMod:{BANDwidth|BWIDth}:MODE { MANua1 | AUTO | LSPan }`  
`[SENSe]:DDEMod:{BANDwidth|BWIDth}:MODE?`

**Related Commands**     [\[SENSe\]:DDEMod:{BANDwidth|BWIDth}:TINTerval](#)

**Arguments**     `MANua1` specifies manual bandwidth control mode. A typical use is setting a narrow measurement bandwidth on a small range of frequencies to examine one signal while rejecting the others that are present in a Spectrum graph.

`AUTO` specifies automatic bandwidth control mode where a measurement picks a bandwidth based on other parameter settings (such as symbol rate, modulation type, filter, and so on).

`LSPan` (LinkToSpan) specifies Lspan bandwidth control mode, where you can use the Spectrum display to tune the frequency, view the signal, and use the Span control to set the measurement bandwidth. This mode emulates legacy instruments.

**Examples**     `DDEMOD:BANDWIDTH:MODE AUTO` sets the analyzer bandwidth mode to automatically select a measurement bandwidth.

## **[SENSe]:DDEMod:{BANDwidth|BWIDth}:TINTerval**

Sets or queries the measurement bandwidth (frequency span).

**Conditions**     Measurement views: General purpose digital modulation

**Group**     Sense group

**Syntax** [SENSe]:DDEMod:{BANDwidth|BWIDth}:TINTERval <value>  
[SENSe]:DDEMod:{BANDwidth|BWIDth}:TINTERval?

**Related Commands** [\[SENSe\]:DDEMod:SRATE](#)

**Arguments** <value> :: <NRF> specifies the measurement bandwidth.  
Range: Symbol rate to 40 MHz or, with Option 110, 110 MHz.  
The minimum value depends on the setting of [:SENSe]:DDEMod:SRATE.

**Returns** <NRF> Actual measurement bandwidth.

**Examples** SENSE:DDEMOD:BANDWIDTH:TINTERVAL 35.255MHZ sets the measurement bandwidth to 35.255 MHz.

## [SENSe]:DDEMod:{BANDwidth|BWIDth}:TINTERval:AUTO

Sets or queries the measurement bandwidth (frequency span) automatically.

**Conditions** Measurement views: General purpose digital modulation

**Group** Sense group

**Syntax** [SENSe]:DDEMod:{BANDwidth|BWIDth}:TINTERval:AUTO { OFF | ON  
| 0 | 1 }  
[SENSe]:DDEMod:{BANDwidth|BWIDth}:TINTERval:AUTO?

**Related Commands** [\[SENSe\]:DDEMod:{BANDwidth|BWIDth}:TINTERval](#)

**Arguments** OFF or 0 sets the measurement bandwidth manually, using the [\[SENSe\]:DDEMod:{BANDwidth|BWIDth}:TINTERval](#) command.  
ON or 1 sets the measurement bandwidth automatically.

**Examples** SENSE:DDEMOD:BANDWIDTH:TINTERVAL:AUTO sets the measurement bandwidth automatically.

## [SENSe]:DDEMod:BURSt:DETECT

Sets or queries burst detection.

**Conditions** Measurement views: General purpose digital modulation

**Group** Sense commands

**Syntax** [SENSe]:DDEMod:BURSt:DETECT { ON | OFF }  
[SENSe]:DDEMod:BURSt:DETECT?

**Related Commands** [\[SENSe\]:DDEMod:BURSt:THRShold](#)

**Arguments** ON analyzes just that burst period if a burst is found. If a burst is not found, does not analyze but displays an error message.

OFF analyzes the whole analysis length.

---

**NOTE.** *When selecting On and if the signal is not adequate for the demodulation, the measurement will fail and show an error message.*

---

**Examples** SENSE:DDEMOD:BURST:DETECT OFF disables burst detection and analyzes the whole analysis length.

## [SENSe]:DDEMod:BURSt:THRShold

Sets or queries the threshold level above which the input signal is determined to be a burst.

**Conditions** Measurement views: General purpose digital modulation

**Group** Sense commands

**Syntax** [SENSe]:DDEMod:BURSt:THRShold <value>  
[SENSe]:DDEMod:BURSt:THRShold?

**Related Commands** [\[SENSe\]:DDEMod:BURSt:DETECT](#)

**Arguments** <value> :: <Nrf> specifies the threshold level for detecting bursts.  
Range: -100 to -10 dBc.

**Examples** SENSE:DDEMOD:BURST:THRESHOLD -25 sets the threshold level to -25 dBc.

## [SENSE]:DDEMOD:CARRIER:OFFSET

Sets or queries the carrier frequency offset in digital modulation analysis.

**Conditions** Measurement views: General purpose digital modulation

**Group** Sense commands

**Syntax** [SENSE]:DDEMOD:CARRIER:OFFSET <value>  
[SENSE]:DDEMOD:CARRIER:OFFSET?

**Related Commands** The settings of the following commands may narrow the effective range.

[\[SENSE\]:DDEMOD:FILTER:ALPHA](#)

[\[SENSE\]:DDEMOD:FILTER:REFERENCE](#)

[\[SENSE\]:DDEMOD:MODULATION:TYPE](#)

[\[SENSE\]:DDEMOD:SRATE](#)

**Arguments** <value> :: <Nrf> specifies the carrier frequency offset.  
Range: -20 MHz to +20 MHz or with Option 110, -55 MHz to +55 MHz .

**Examples** SENSE:DDEMOD:CARRIER:OFFSET 2kHz sets the carrier frequency offset to 2 kHz.

## [SENSE]:DDEMOD:CARRIER:OFFSET:AUTO

Sets or queries whether to detect the carrier frequency automatically in digital modulation analysis.

**Conditions** Measurement views: General purpose digital modulation

**Group** Sense commands

**Syntax** [SENSE]:DDEMod:CARRIER:OFFSET:AUTO { OFF | ON | 0 | 1 }  
[SENSE]:DDEMod:CARRIER:OFFSET:AUTO?

**Related Commands** [SENSE]:DDEMod:CARRIER:OFFSET

**Arguments** OFF or 0 sets the carrier frequency manually, using the [SENSE]:DDEMod:CARRIER:OFFSET command.

ON or 1 detects the carrier frequency automatically.

**Examples** [SENSE]:DDEMOD:CARRIER:OFFSET:AUTO ON enables automatic detection of the carrier frequency.

## [SENSE]:DDEMod:EQUALizer:AVAILABLE? (Query Only)

Determines if the equalizer is available.

**Conditions** Measurement views: General purpose digital modulation

**Group** Sense commands

**Syntax** [SENSE]:DDEMod:EQUALizer:AVAILABLE?

**Arguments** None

**Returns** 0 or 1

Where:

0 indicates the equalizer is not available for the current modulation type and reference filter.

1 indicates the equalizer is available.

## [SENSE]:DDEMod:EQUALizer:CONVergence

Sets or queries the Convergence value (also known as tap update rate).

**Conditions** Measurement views: General purpose digital modulation

<b>Group</b>	Sense commands
<b>Syntax</b>	[SENSe]:DDEMod:EQUalizer:CONVergence <value> [SENSe]:DDEMod:EQUalizer:CONVergence?
<b>Arguments</b>	<value> :: <NR3> specifies the convergence value.
<b>Examples</b>	SENSE:DDEMOD:EQUALIZER:CONVERGENCE? might return 1.000000000E-6.

## [SENSe]:DDEMod:EQUalizer:ENABLE

Sets or queries the Equalizer state.

<b>Conditions</b>	Measurement views: General purpose digital modulation
<b>Group</b>	Sense commands
<b>Syntax</b>	[SENSe]:DDEMod:EQUalizer:ENABle {OFF   ON   0   1 } [SENSe]:DDEMod:EQUalizer:ENABle?
<b>Related Commands</b>	<a href="#">[SENSe]:DDEMod:EQUalizer:MODE</a>
<b>Arguments</b>	ON or 1 enables the Equalizer. OFF or 0 disables the Equalizer.
<b>Examples</b>	SENS:DDEM:EQU:ENAB 1 might return 1, indicating that the equalizer is enabled.

## [SENSe]:DDEMod:EQUalizer:LENGth

Sets or queries the equalizer filter length.

<b>Conditions</b>	Measurement views: General purpose digital modulation
<b>Group</b>	Sense commands
<b>Syntax</b>	[SENSe]:DDEMod:EQUalizer:LENGth <value>

**Arguments** <value> :: <NR1> specifies the equalizer filter length.

**Examples** SENSE:DDEMOD:EQUALIZER:LENGTH 39 sets the filter length to 39 symbols.

## [SENSE]:DDEMod:EQUalizer:MODE

Sets or queries the equalizer mode. The equalizer can in learning mode (train) or enabled (hold).

**Conditions** Measurement views: General purpose digital modulation

**Group** Sense commands

**Syntax** [SENSE]:DDEMod:EQUalizer:MODE {TRAIN | HOLD }  
[SENSE]:DDEMod:EQUalizer:MODE?

**Related Commands** [\[SENSE\]:DDEMod:EQUalizer:ENABle](#)

**Arguments** TRAIN places the equalizer in training mode.  
HOLD places in the equalizer in enabled mode.

**Examples** SENSE:DDEMOD:EQUALIZER:MODE HOLD places the equalizer in enabled mode.

## [SENSE]:DDEMod:EQUalizer:RESet (No Query Form)

Resets the equalizer settings to default values.

**Conditions** Measurement views: General purpose digital modulation

**Group** Sense commands

**Syntax** [SENSE]:DDEMod:EQUalizer:RESet

**Examples** SENSE:DDEMOD:EQUALIZER:RESET sets the equalizer parameters to their default values.

## [SENSe]:DDEMod:EQUalizer:TAPS

Sets or queries the number of filter coefficients for the equalizer.

<b>Conditions</b>	Measurement views: General purpose digital modulation
<b>Group</b>	Sense commands
<b>Syntax</b>	[SENSe]:DDEMod:EQUalizer:TAPS <value> [SENSe]:DDEMod:EQUalizer:TAPS?
<b>Arguments</b>	<value> ::= <NR1> the filter coefficient for the equalizer.
<b>Examples</b>	[SENSe]:DDEMOD:EQUALIZER:TAPS 65 sets the filter coefficient to 65.

## [SENSe]:DDEMod:EQUalizer:TSRAtio

Sets or queries the Equalizer Taps/Symbol parameter.

<b>Conditions</b>	Measurement views: General purpose digital modulation
<b>Group</b>	Sense commands
<b>Syntax</b>	[SENSe]:DDEMod:EQUalizer:TSRAtio { ONE   TWO   FOUR   EIGHT }
<b>Arguments</b>	Valid arguments are ONE, TWO, FOUR, and EIGHT. Numerals are not valid arguments.
<b>Examples</b>	SENSe:DDEMOD:EQUALIZER:TSRATIO FOUR sets the Taps/Symbol value to four.

## [SENSe]:DDEMod:FILTer:ALPHa

Sets or queries the filter factor ( $\alpha$ /BT) in the digital modulation analysis.

<b>Conditions</b>	Measurement views: General purpose digital modulation
-------------------	---



<b>Group</b>	Sense commands
<b>Syntax</b>	[SENSE]:DDEMod:FILTer:ALPHA <value> [SENSE]:DDEMod:FILTer:ALPHA?
<b>Arguments</b>	<value> :: <NRF> specifies the filter factor. Range: 0.001 to 1.
<b>Examples</b>	SENSE:DDEMOD:FILTER:ALPHA 0.5 sets the filter factor to 0.5.

## [SENSE]:DDEMod:FILTer:MEASurement

Sets or queries the measurement filter in the digital modulation analysis.

<b>Conditions</b>	Measurement views: General purpose digital modulation
<b>Group</b>	Sense commands
<b>Syntax</b>	[SENSE]:DDEMod:FILTer:MEASurement { OFF   RRCosine   RCOSine   GAUSSian   RECTangular   IS95TXEQ_MEA   IS95TX_MEA   C4FM_P25   USERx   UOTHer } [SENSE]:DDEMod:FILTer:MEASurement?
<b>Arguments</b>	The following table lists the arguments.

**Table 2-37: Digital modulation measurement filter**

Argument	Measurement filter
OFF	No filter
RRCosine	Root Raised Cosine
RCOSine	Raised Cosine
GAUSSian	Gaussian
RECTangular	Rectangular
IS95TXEQ_MEA	IS95 receive filter for the transmitter configured with both the transmit filter and the phase equalizer.
IS95TX_MEA	IS95 receive filter for the transmitter configured with only the transmit filter.
C4FM_P25	C4FM-P25
USER1	User defined Measurement Filter 1
USER2	User defined Measurement Filter 2

**Table 2-37: Digital modulation measurement filter (cont.)**

Argument	Measurement filter
USER3	User defined Measurement Filter 3
UOTHer	Other user defined Measurement Filter

**Examples**     `SENSE:DDEMOD:FILTER:MEASUREMENT RRCosine` selects the Root Raised Cosine filter as the measurement filter.

## [SENSe]:DDEMod:FILTer:REFerence

Sets or queries the reference filter in the digital modulation analysis.

**Conditions**     Measurement views: General purpose digital modulation

**Group**     Sense commands

**Syntax**     `[SENSe]:DDEMod:FILTer:REFerence { OFF | RCOSine | GAUSSian | RECTangular | IS95REF | HSINe | SOQPSK_MIL | SOQPSK_ARTM | SBPSK_MIL | USERx | UOTHer }`  
`[SENSe]:DDEMod:FILTer:REFerence?`

**Arguments**     The following table lists the arguments.

**Table 2-38: Digital modulation reference filter**

Argument	Measurement filter
OFF	No filter
RCOSine	Raised Cosine
GAUSSian	Gaussian
RECTangular	Rectangular
IS95REF	IS95 reference filter including the response of the transmit filter, the phase equalizer, and the receive (complementary) filter.
HSINe	Half Sine
SOQPSK_MIL	SOQPSK-MIL
SOQPSK_ARTM	SOQPSK-ARTM
SBPSK_MIL	SBPSK-MIL
USER1	User defined Measurement Filter 1
USER2	User defined Measurement Filter 2

Table 2-38: Digital modulation reference filter (cont.)

Argument	Measurement filter
USER3	User defined Measurement Filter 3
UOTHer	Other user defined Measurement Filter

**Examples**     `SENSE:DDEMOD:FILTER:REFERENCE RCOSine` selects the Raised Cosine filter as the reference filter.

## [SENSe]:DDEMod:FREQuency:DEViation

Sets or queries the frequency deviation in the digital modulation analysis. Programming a specified frequency deviation sets `[SENSe]:DDEMod:FREQuency:DEViation:AUTO OFF`.

This command is valid when `[SENSe]:DDEMod:MODulation:TYPE` is set to C4FM, FSK2, FSK4, FSK8, or FSK16.

**Conditions**     Measurement views: General purpose digital modulation

**Group**     Sense commands

**Syntax**     `[SENSe]:DDEMod:FREQuency:DEViation <value>`  
`[SENSe]:DDEMod:FREQuency:DEViation?`

**Arguments**     `<value> :: <NRf>` sets the frequency deviation.

Standard product range: 1 Hz to 40 MHz.

Option 110 product range: 1 Hz to 110 MHz.

**Examples**     `SENSE:DDEMOD:FREQUENCY:DEVIATION 1MHZ` sets the frequency deviation to 1 MHz.

## [SENSe]:DDEMod:FREQuency:DEViation:AUTO

Determines whether to detect automatically or set manually the frequency deviation used to determine the symbol values of an FSK or C4FM signal.

This command is valid when `[SENSe]:DDEMod:MODulation:TYPE` is set to C4FM, FSK2, FSK4, FSK8, or FSK16.

<b>Conditions</b>	Measurement views: General purpose digital modulation
<b>Group</b>	Sense commands
<b>Syntax</b>	[SENSE]:DDEMod:FREQUENCY:DEVIation:AUTO { OFF   ON   0   1 } [SENSE]:DDEMod:FREQUENCY:DEVIation:AUTO?
<b>Arguments</b>	ON or 1 automatically calculates the frequency deviation for the analysis range (default).  OFF or 0 sets the frequency deviation using the [SENSE]:DDEMod:FREQUENCY:DEVIation command.
<b>Examples</b>	SENSE:DDEMOD:FREQUENCY:DEVIATION:AUTO ON automatically calculates the frequency deviation.

## [SENSE]:DDEMod:MAGNitude:NORMALize

Sets or queries the method for the magnitude normalization.

<b>Conditions</b>	Measurement views: General purpose digital modulation
<b>Group</b>	Sense commands
<b>Syntax</b>	[SENSE]:DDEMod:MAGNitude:NORMALize { RSYMbo1   MSYMbo1 } [SENSE]:DDEMod:MAGNitude:NORMALize?
<b>Arguments</b>	RSYMbo1 normalizes the magnitude with the RMS symbol magnitude.  MSYMbo1 normalizes the magnitude with the maximum symbol magnitude.
<b>Examples</b>	SENSE:DDEMOD:MAGNITUDE:NORMALIZE RSYMbo1 normalizes the magnitude with the RMS symbol magnitude.

## [SENSE]:DDEMod:MINDEX

Sets or queries the modulation index of a CPM signal. This command is valid when [SENSE]:DDEMod:MODulation:TYPE is set to CPM and [SENSE]:DDEMod:MINDEX:AUTO is set to OFF.

**Conditions** Measurement views: General purpose digital modulation

**Group** Sense commands

**Syntax** [SENSe]:DDEMod:MINdex { 1 | 2 | 3 | 4 | 5 | 6 }  
[SENSe]:DDEMod:MINdex?

**Arguments** The following table shows the arguments and modulation index.

#### CPM modulation index

Argument	Modulation index
1	4/16, 5/16
2	5/16, 6/16
3	6/16, 7/16
4	7/16, 10/16
5	12/16, 13/16
6	8/16, 8/16

**Examples** SENSE:DDEMOD:MINDEX 1 selects the modulation index to “4/16, 5/16”.

## [SENSe]:DDEMod:MINdex:AUTO

Determines whether to detect automatically or set manually the modulation index of a CPM signal. This command is valid when [\[SENSe\]:DDEMod:MODulation:TYPE](#) is set to CPM.

**Conditions** Measurement views: General purpose digital modulation

**Group** Sense commands

**Syntax** [SENSe]:DDEMod:MINdex:AUTO { OFF | ON | 0 | 1 }  
[SENSe]:DDEMod:MINdex:AUTO

**Arguments** ON or 1 automatically calculates the modulation index for the analysis range.  
OFF or 0 sets the modulation index using the [\[SENSe\]:DDEMod:MINdex](#) command.

**Examples**    `SENSE:DDEMOD:MINDEX:AUTO ON` automatically calculates the modulation index for the analysis range.

## [SENSe]:DDEMod:MODulation:TYPE

Sets or queries the modulation type in the digital modulation analysis.

**Conditions**    Measurement views: General purpose digital modulation

**Group**    Sense commands

**Syntax**    `[SENSe]:DDEMod:MODulation:TYPE { QPSK | PSK8 | D8PSK |  
 PIOVER2DBPSK | DQPSK | PIOVER4DQPSK | BPSK | OQPSK | QAM16 |  
 QAM32 | QAM64 | QAM128 | QAM256 | MSK | FSK2 | FSK4 | FSK8  
 | FSK16 | CPM | SQPSK | SBPSK | C4FM }  
 [SENSe]:DDEMod:MODulation:TYPE?`

**Arguments**    The following table lists the arguments and corresponding modulation type.

**Table 2-39: Modulation type**

Argument	Modulation type
QPSK	QPSK
PSK8	8PSK
D8PSK	D8PSK
PIOVER2DBPSK	$\pi/2$ DBPSK
DQPSK	DQPSK
PIOVER4DQPSK	$\pi/4$ QPSK
BPSK	BPSK
OQPSK	OQPSK
QAM16	16QAM
QAM32	32QAM
QAM64	64QAM
QAM128	128QAM
QAM256	256QAM
MSK	MSK
FSK2	FSK2
FSK4	FSK4
FSK8	FSK8
FSK16	FSK16

Table 2-39: Modulation type (cont.)

Argument	Modulation type
CPM	CPM
SOQPSK	SOQPSK
SBPSK	SBPSK
C4FM	C4FM

**Examples**    `SENSE:DDEMOD:MODULATION:TYPE QPSK` selects QPSK modulation system.

## [SENSE]:DDEMod:PRESet (No Query Form)

Presets the modulation analysis to a communication standard.

**Conditions**    Measurement views: General purpose digital modulation

**Group**    Sense commands

**Syntax**    `[SENSE]:DDEMod:PRESet <standard_name>`

**Related Commands**    [\[SENSE\]:DDEMod:MODulation:TYPE](#)

**Arguments**    The following table lists the preset standard names with their modulation types and settings.

Table 2-40: Modulation Presets

Preset Name	Modulation type	Settings
"802.15.4"	OQPSK	Symbol rate: 1 MHz Meas Filter: None Ref Filter: Half sine Filter Param: None Symbol Pt Location: NA Remove Q offset: not checked

**Table 2-40: Modulation Presets (cont.)**

<b>Preset Name</b>	<b>Modulation type</b>	<b>Settings</b>
"SBPSK-MIL"	SBPSK	Symbol rate: 2.4 kHz
		Meas Filter: None
		Ref Filter: SBPSK-MIL
		Filter Param: 0.5
		Symbol Pt Location: NA
		Remove Q offset: NA
"SOQPSK-MIL"	SOQPSK	Symbol rate: 2.4 kHz
		Meas Filter: None
		Ref Filter: SOQPSK-MIL
		Filter Param: 0.5
		Symbol Pt Location: Center
		Remove Q offset: checked
"CPM-MIL"	CPM	Symbol rate: 19.2 KHz
		Meas Filter: None
		Ref Filter: None
		Filter Param: None
		Symbol Pt Location: NA
		Remove Q offset: NA
"SOQPSK-ARTM Tier 1"	SOQPSK	Symbol rate: 2.5 MHz
		Meas Filter: None
		Ref Filter: SOQPSK-ARTM
		Filter Param: None
		Symbol Pt Location: Center
		Remove Q offset: checked
"Project25 Phase I"	C4FM	Symbol rate: 4.8 kHz
		Meas Filter: C4FM-P25
		Ref Filter: Raised cosine
		Filter Param: 0.2
		Symbol Pt Location: NA
		Remove Q offset: NA
"CDMA2000-Base"	QPSK	Symbol rate: 1.2288 MHz
		Meas Filter: IS95 TXEQ_MEA
		Ref Filter: IS95 REF
		Filter Param: None
		Symbol Pt Location: NA
		Remove Q offset: NA



Table 2-40: Modulation Presets (cont.)

Preset Name	Modulation type	Settings
"W-CDMA"	QPSK	Symbol rate: 3.84 MHz
		Meas Filter: Root raised cosine
		Ref Filter: Raised cosine
		Filter Param: 0.22
		Symbol Pt Location: NA
		Remove Q offset: NA

In addition to the specific settings listed in the table, the following general settings are also made when you load any of the defined presets.

Setting	Value
Points/symbol	4
Burst detection mode	Off
Burst detection threshold	-10 dBc
Analysis offset	Auto
Analysis length	Auto
Frequency offset	Auto
Measurement BW	Auto
Frequency deviation	Auto
Modulation index	Auto

### Returns

**Examples** [SENSE]:DDEMOD:PRESET "802.15.4" sets demodulation to the standard OQPSK modulation.

## [SENSe]:DDEMod:SRATe

Sets or queries the symbol rate in the digital modulation analysis.

**Conditions** Measurement views: General purpose digital modulation

**Group** Sense commands

**Syntax** [SENSe]:DDEMod:SRATe <value>  
[SENSe]:DDEMod:SRATe?

**Arguments** <value> :: <NRF> specifies the symbol rate.  
Standard product range: 100 Hz to 40 MHz.  
Option 110 product range: 100 Hz to 110 MHz.

**Examples** SENSE:DDEMOD:SRATE 21.0E3 sets the symbol rate to 21 kHz.

## [SENSe]:DDEMod:SWAP:IQ

Determines whether or not to exchange I and Q data before demodulating.

**Conditions** Measurement views: General purpose digital modulation

**Group** Sense commands

**Syntax** [SENSe]:DDEMod:SWAP:IQ { OFF | ON | 0 | 1 }  
[SENSe]:DDEMod:SWAP:IQ?

**Arguments** OFF or 0 uses I and Q data as they are.  
ON or 1 exchanges I and Q data.

**Examples** SENSE:DDEMOD:SWAP:IQ ON exchanges I and Q data before demodulating.

## [SENSe]:DDEMod:SYMBol:HSSHift

Sets or queries the Q data half-symbol shift for OQPSK and SOQPSK signals.

**Conditions** Measurement views: General purpose digital modulation

**Group** Sense commands

**Syntax** [SENSe]:DDEMod:SYMBol:HSSHift { OFF | ON | 0 | 1 }  
[SENSe]:DDEMod:SYMBol:HSSHift?

**Related Commands** [\[SENSe\]:DDEMod:MODulation:TYPE](#)

**Arguments** OFF or 0 the Q offset shift is not applied.  
ON or 1 the Q offset shift is applied.

**Examples** DDEMod:SYMBol:HSSHift ON the Q offset is applied.

## [SENSe]:DDEMod:SYMBol:MAP:SOURce? (Query Only)

Queries the user symbol map.

**Conditions** Measurement views: General purpose digital modulation

**Group** Sense commands

**Syntax** [SENSe]:DDEMod:SYMBol:MAP:SOURce?

**Arguments** None.

**Examples** SENSE:DDEMOD:SYMBOL:MAP:SOURCE? returns the symbol map filename.

## [SENSe]:DDEMod:SYMBOL:MAP[:STATE]

Determines whether or not to use the user symbol map.

**Conditions** Measurement views: General purpose digital modulation

**Group** Sense commands

**Syntax** [SENSe]:DDEMod:SYMBOL:MAP[:STATE] { OFF | ON | 0 | 1 }  
[SENSe]:DDEMod:SYMBOL:MAP[:STATE]?

**Related Commands** [\[SENSe\]:DDEMod:SYMBOL:MAP:SOURce?](#)

**Arguments** OFF or 0 disables the user symbol map.  
ON or 1 enables the user symbol map.

**Examples** SENSE:DDEMOD:SYMBOL:MAP:STATE ON enables the user symbol map.

## [SENSe]:DDEMod:SYMBOL:PLOT:POSITION

Sets or queries the symbol point location on an SOQPSK waveform.

**Conditions** Effective only on an SOQPSK waveform and on any general purpose digital demodulation views except Signal Quality and Symbol Table.

**Group** Sense commands

**Syntax** [SENSe]:DDEMod:SYMBOL:PLOT:POSITION { EDGE | MIDDLE }  
[SENSe]:DDEMod:SYMBOL:PLOT:POSITION?

**Related Commands**

**Arguments** EDGE sets the symbol location at the edge of the eye opening.  
MIDDLE sets the symbol location at the middle of the eye opening.

**Examples** [SENSE]:DDEMOD:SYMBOL:PLOT:POSITION EDGE sets the symbol location the edge of the eye opening.

## [SENSe]:DDEMod:SYMBol:POINTs

Sets or queries the number of points per symbol (how many points to use between symbols when connecting the dots).

---

**NOTE.** *I is not valid for the GMSK modulation.*

*In the constellation view, select VECTors using the TRACe:CONSt:MODE command first to change Points/Symbol.*

---

**Conditions** Measurement views: Constellation, EVM versus Time, Magnitude error versus Time, Phase error versus Time, Freq Dev versus Time, Demod I&Q versus Time.

**Group** Sense commands

**Syntax** [SENSe]:DDEMod:SYMBol:POINTs { ONE | TWO | FOUR | EIGHT }  
[SENSe]:DDEMod:SYMBol:POINTs?

**Arguments** ONE, TWO, FOUR, and EIGHT represent the number of points per symbol.

The following table lists the conditions of use.

Argument	Modulation type supported
ONE	All but SOQPSK, OQPSK, SBPSK
TWO	All but SOQPSK
FOUR	All
EIGHT	All

**Examples** SENSE:DDEMOD:SYMBOL:POINTS FOUR sets the number of points per symbol to four.

## [SENSe]:DDEMod:SYMBol:RATE:SEARCh

Determines whether to enable a symbol rate search. This command is valid when the demodulation type is set to FSK2, FSK4, FSK8 or FSK16.

**Conditions** Measurement views: General purpose digital modulation

**Group** Sense commands

**Syntax** [SENSe]:DDEMod:SYMBOL:RATE:SEARCH { OFF | ON | 0 | 1 }

**Related Commands** [\[SENSe\]:DDEMod:MODulation:TYPE](#)

**Arguments** OFF or 0 disables the search.  
ON or 1 enables the search.

**Examples** [SENSe]:DDEMOD:SYMBOL:RATE:SEARCH ON enables the symbol rate search.

## [SENSe]:DDEMod:SYNCh:WORD

Determines whether to enable the synchronization word.

**Conditions** Measurement views: General purpose digital modulation

**Group** Sense commands

**Syntax** [SENSe]:DDEMod:SYNCh:WORD { OFF | ON | 0 | 1 }  
[SENSe]:DDEMod:SYNCh:WORD?

**Related Commands** [\[SENSe\]:DDEMod:SYNCh:WORD:SYMBOL](#)

**Arguments** OFF or 0 disables the synchronization word.  
ON or 1 enables the synchronization word.

**Examples** SENSE:DDEMOD:SYNCH:WORD ON enables the synchronization word.

## [SENSe]:DDEMod:SYNCh:WORD:SYMBOL

Sets or queries the synchronization word when [\[SENSe\]:DDEMod:SYNCh:WORD](#) is ON. The word depends on the modulation type selected by the [\[SENSe\]:DDEMod:MODulation:TYPE](#) command.

**Conditions** Measurement views: General purpose digital modulation

**Group** Sense commands

<b>Syntax</b>	[SENSe]:DDEMod:SYNCh:WORD:SYMBOL <block> [SENSe]:DDEMod:SYNCh:WORD:SYMBOL?
<b>Arguments</b>	<block> ::= #<num_digit><num_byte><sym(1)><sym(2)>...<sym(n)> Where <num_digit> is the number of digits in <num_byte>. <num_byte> is the number of bytes of data that follow. <sym(n)> is the n <sup>th</sup> symbol value of the sync word. 32-bit integer. n: Max 256.
<b>Examples</b>	SENSE:DDEMOD:SYNCH:WORD:SYMBOL #216xxxx (4 symbols) sets a sync word composed of four symbols.

## [SENSe]:DDEMod:TIME:UNITs

Sets or queries the fundamental unit of time.

<b>Conditions</b>	Measurement views: General purpose digital modulation
<b>Group</b>	Sense commands
<b>Syntax</b>	[SENSe]:DDEMod:TIME:UNITs { SECONds   SYMBOLs } [SENSe]:DDEMod:TIME:UNITs?
<b>Arguments</b>	SECONds specifies the fundamental unit of time as seconds. SYMBOLs specifies the fundamental unit of time as symbols.
<b>Examples</b>	SENSE:DDEMOD:TIME:UNITs SECONds specifies the fundamental unit of time as seconds.

## [SENSe]:DPX:AUDio:DEMod:GAIN

Sets or queries the audio gain.

---

**NOTE.** *The sound level is also affected by the Windows volume control.*

---

<b>Conditions</b>	Measurement views: DPX spectrum
-------------------	---------------------------------

**Group** Sense commands

**Syntax** [SENSE]:DPX:AUDIO:DEMOD:GAIN <value>  
[SENSE]:DPX:AUDIO:DEMOD:GAIN?

**Arguments** <value> :: <NR1> specifies the audio gain. Range: 0 to 15 (integer).

**Examples** SENSE:DPX:AUDIO:DEMOD:GAIN 7 sets the audio gain to 7.

## [SENSE]:DPX:AUDIO:DEMOD:RXBWidth

Sets or queries the receiver bandwidth in the audio demodulation.

**Conditions** Measurement views: DPX spectrum

**Group** Sense commands

**Syntax** [SENSE]:DPX:AUDIO:DEMOD:RXBWidth <value>  
[SENSE]:DPX:AUDIO:DEMOD:RXBWidth?

**Arguments** <value> :: <NRf> specifies the receiver bandwidth in the audio demodulation.  
Range: 1 kHz to 500 kHz.

**Examples** SENSE:DPX:AUDIO:DEMOD:RXBWIDTH 30kHz sets the receiver bandwidth to 30 kHz.

## [SENSE]:DPX:AUDIO:DEMOD:RXFrequency? (Query Only)

Returns the receiver frequency in the audio demodulation. The frequency depends on the setting of the [\[SENSE\]:DPX:AUDIO:DEMOD:TUNE](#) command.

**Conditions** Measurement views: DPX spectrum

**Group** Sense commands

**Syntax** [SENSE]:DPX:AUDIO:DEMOD:RXFrequency?



<b>Arguments</b>	None
<b>Returns</b>	<frequency> :: <Nrf> is the receiver frequency in the audio demodulation.
<b>Examples</b>	SENSE:DPX:AUDIO:DEMOD:RXFREQUENCY? might return 80.3E+6, indicating that the receiver frequency is 80.3 MHz.

## [SENSe]:DPX:AUDio:DEMod:STATe

Determines whether to enable the audio demodulation.

<b>Conditions</b>	Measurement views: DPX spectrum
<b>Group</b>	Sense commands
<b>Syntax</b>	[SENSe]:DPX:AUDio:DEMod:STATe { OFF   ON   0   1 } [SENSe]:DPX:AUDio:DEMod:STATe?
<b>Arguments</b>	OFF or 0 disables the audio demodulation. ON or 1 enables the audio demodulation.
<b>Examples</b>	SENSE:DPX:AUDIO:DEMOD:STATE ON enables the audio demodulation.

## [SENSe]:DPX:AUDio:DEMod:TUNE

Sets or queries how to determine the tuning frequency in the audio demodulation.

<b>Conditions</b>	Measurement views: DPX spectrum
<b>Group</b>	Sense commands
<b>Syntax</b>	[SENSe]:DPX:AUDio:DEMod:TUNE { MR   MARK1   MARK2   MARK3   MARK4   SMARkeR   FREQcontroL } [SENSe]:DPX:AUDio:DEMod:TUNE?

**Arguments** The following table lists the arguments.

**Table 2-41: Frequency tuning**

Argument	Tune with
MR	Reference marker (MR)
MARK1	Marker 1 (M1)
MARK2	Marker 2 (M2)
MARK3	Marker 3 (M3)
MARK4	Marker 4 (M4)
SMARker	Selected marker
FREQcontrol	Center frequency setting

**Examples** SENSE:DPX:AUDIO:DEMODO:TUNE MARK1 sets the tuning frequency to the value at Marker 1.

## [SENSe]:DPX:AUDio:DEMod:TYPE

Sets or queries the modulation type in the audio demodulation.

**Conditions** Measurement views: DPX spectrum

**Group** Sense commands

**Syntax** [SENSe]:DPX:AUDio:DEMod:TYPE { AM | FM }  
[SENSe]:DPX:AUDio:DEMod:TYPE?

**Arguments** AM selects the AM (Amplitude Modulation).  
FM selects the FM (Frequency Modulation).

**Examples** SENSE:DPX:AUDIO:DEMODO:TYPE FM selects FM in the audio demodulation.

## [SENSe]:DPX:{BANDwidth|BWIDth}:ACTual? (Query Only)

Queries the actual bandwidth whether set automatically or manually.

**Conditions** Measurement views: DPX spectrum

<b>Group</b>	Sense commands
<b>Syntax</b>	[SENSE]:DPX:{BANDwidth BWIDth}:ACTual?
<b>Arguments</b>	None
<b>Examples</b>	SENSE:DPX:BANDWIDTH:ACTUAL? returns the RBW as a percentage of the Span.

## [SENSE]:DPX:{BANDwidth|BWIDth}:RESolution

Sets or queries the resolution bandwidth (RBW) in the DPX spectrum measurement.

<b>Conditions</b>	Measurement views: DPX spectrum
<b>Group</b>	Sense commands
<b>Syntax</b>	[SENSE]:DPX:{BANDwidth BWIDth}:RESolution <value> [SENSE]:DPX:{BANDwidth BWIDth}:RESolution?
<b>Arguments</b>	<value> :: <Nrf> specifies the resolution bandwidth. Range: 1 Hz to 10 MHz.
<b>Examples</b>	SENSE:DPX:BANDWIDTH:RESOLUTION? might return 100.00003E+3 for the RBW..

## [SENSE]:DPX:{BANDwidth|BWIDth}[:RESolution]:AUTO

Determines whether to set the resolution bandwidth (RBW) automatically or manually in the DPX spectrum measurement.

<b>Conditions</b>	Measurement views: DPX spectrum
<b>Group</b>	Sense commands
<b>Syntax</b>	[SENSE]:DPX:{BANDwidth BWIDth}[:RESolution]:AUTO { OFF   ON   0   1 }

[SENSE]:DPX:{BANDwidth|BWIDth}[:RESolution]:AUTO?

**Arguments** OFF or 0 specifies that the resolution bandwidth is set manually using the [SENSE]:DPX:{BANDwidth|BWIDth}:ACTual? command.

ON or 1 specifies that the resolution bandwidth is set automatically.

**Examples** SENSE:DPX:BANDWIDTH:AUTO ON sets the resolution bandwidth automatically.

## [SENSE]:DPX:CLEar:RESuLts (No Query Form)

Restarts multi-trace functions (Average and Max/Min Hold).

**Conditions** Measurement views: DPX spectrum

**Group** Sense commands

**Syntax** [SENSE]:DPX:CLEar:RESuLts

**Arguments** None

**Examples** SENSE:DPX:CLEAR:RESULTS restarts multi-trace functions.

## [SENSE]:DPX:COLor

Sets or queries the color palette of three-dimensional graphs.

**Conditions** Measurement views: DPX spectrum

**Group** Sense commands

**Syntax** [SENSE]:DPX:COLor { RED | GREen | BLUe | CYAN | BCYan | YELLOW | MAGenta | GRAY | TEMPERature | SPECTra }  
[SENSE]:DPX:COLor?

**Arguments** The following table lists the arguments.

**Table 2-42: Color palette for DPX spectrum**

Argument	Palette
RED	Red
GREen	Green
BLUe	Blue
CYAN	Cyan
BCYan	Binary cyan
YELLow	Yellow
MAGenta	Magenta
GRAY	Gray
TEMPerature	Temperature
SPECtral	Spectral

**Examples** `SENSE:DPX:COLOR TEMPERATURE` selects the temperature color palette.

## [SENSe]:DPX:COLor:MAXimum

Sets or queries the maximum value of the color axis in the DPX spectrum measurement.

**Conditions** Measurement views: DPX spectrum

**Group** Sense commands

**Syntax** `[SENSe]:DPX:COLor:MAXimum <value>`  
`[SENSe]:DPX:COLor:MAXimum?`

**Arguments** `<value> ::= <NRf>` specifies the maximum value of the color axis.  
 Range: The minimum value to 100%.  
 The minimum value is set using the [\[SENSe\]:DPX:COLor:MINimum](#) command.

**Examples** `SENSE:DPX:COLOR:MAXIMUM 90` sets the maximum value of the color axis to 90%.

## [SENSe]:DPX:COLor:MINimum

Sets or queries the minimum value of the color axis in the DPX spectrum measurement.

**Conditions** Measurement views: DPX spectrum

**Group** Sense commands

**Syntax** [SENSe]:DPX:COLor:MINimum <value>  
[SENSe]:DPX:COLor:MINimum?

**Arguments** <value> :: <NRf> specifies the minimum value of the color axis.  
Range: 0% to the maximum value.

The maximum value is set using the [\[SENSe\]:DPX:COLor:MAXimum](#) command.

**Examples** SENSE:DPX:COLOR:MINIMUM 10 sets the minimum value of the color axis to 10%.

## [SENSe]:DPX:DDENsity:MEASurement:SHOW

Sets the Show measurement value (measurement always visible for DPX Trigger) or queries for the current value.

**Conditions** Measurement views: DPX spectrum  
Option 200 only

**Group** Sense commands

**Syntax** [SENSe]:DPX:DDENsity:MEASurement:SHOW { OFF | ON | 0 | 1 }  
[SENSe]:DPX:DDENsity:MEASurement:SHOW?

**Arguments** OFF or 0 specifies that the Show measurement value is disabled.  
ON or 1 specifies that the Show measurement value is disabled.

**Examples** SENSE:DPX:DDENSITY:MEASUREMENT:SHOW ON enables the Show measurement value.

## [SENSe]:DPX:DGRam:COLor:MAXimum

Sets or queries the maximum value of the color axis in the DPXogram measurement.

<b>Conditions</b>	Measurement views: DPX spectrum
<b>Group</b>	Sense commands
<b>Syntax</b>	[SENSe]:DPX:DGRam:COLor:MAXimum <value> [SENSe]:DPX:DGRam:COLor:MAXimum?
<b>Arguments</b>	<value> ::= <NRf> specifies the maximum value of the color axis. Range: -50 dBm to -169.00 dBm. The minimum value is set using the <a href="#">[SENSe]:DPX:DGRam:COLor:MINimum</a> command.
<b>Examples</b>	[SENSe]:DPX:DGRam:COLor:MAXimum 0 sets the maximum value of the color axis to 0.00 dBm.

## [SENSe]:DPX:DGRam:COLor:MINimum

Sets or queries the minimum value of the color axis in the DPXogram measurement.

<b>Conditions</b>	Measurement views: DPX spectrum
<b>Group</b>	Sense commands
<b>Syntax</b>	[SENSe]:DPX:DGRam:COLor:MINimum <value> [SENSe]:DPX:DGRam:COLor:MINimum?
<b>Arguments</b>	<value> ::= <NRf> specifies the maximum value of the color axis. Range: 49.00 dBm to -170.00 dBm. The maximum value is set using the <a href="#">[SENSe]:DPX:DGRam:COLor:MAXimum</a> command.

**Examples** [SENSE]:DPX:DGRAM:COLOR:MINIMUM -100 sets the minimum value of the color axis to -100.00 dBm.

## [SENSe]:DPX:DGRam:POINTs:COUNT

Sets or queries the number of trace points acquired for the DPXogram display.

**Conditions** Measurement views: DPX spectrum

**Group** Sense commands

**Syntax** [SENSe]:DPX:DGRam:POINTs:COUNT { P801 | P2401 | P4001 }  
[SENSe]:DPX:DGRam:POINTs:COUNT?

**Arguments** P801 sets the number of sample points to 801.  
P2401 sets the number of sample points to 2401.  
P4001 sets the number of sample points to 4001.

**Examples** [SENSE]:DPX:DGRAM:POINTS:COUNT P2401 sets the number of trace points to acquire for the DPXogram display.

## [SENSe]:DPX:DGRam:TIME:CAPacity? (Query Only)

Returns the time capacity of the DPXogram measurement.

**Conditions** Measurement views: DPX spectrum

**Group** Sense commands

**Syntax** [SENSe]:DPX:DGRam:TIME:CAPacity?

**Arguments** None

**Returns** <Time> ::= <String> The time capacity in hours:minutes:seconds.



**Examples** [SENSE]:DPX:DGRAM:TIME:CAPACITY? might return “0:25:50” indicating that the time capacity of the measurement was 0 hours, 25 minutes, and 50 seconds.

## [SENSe]:DPX:DGRam:TIME:RESolution

Sets or queries the time resolution of the DPXogram measurement.

**Conditions** Measurement views: DPX spectrum

**Group** Sense commands

**Syntax** [SENSe]:DPX:DGRam:TIME:RESolution <value>  
[SENSe]:DPX:DGRam:TIME:RESolution?

**Arguments** <value> ::= <NRf> specifies the time resolution of the DPXogram measurement.

**Examples** [SENSE]:DPX:DGRAM:TIME:RESOLUTION 25.0 ms sets the time resolution to 25 ms.

## [SENSe]:DPX:DGRam:TIME:RESolution:AUTO

Determines whether to set the time resolution automatically or manually in the DPXogram measurement.

When Auto is enabled, the time resolution value is based on the Time/div setting. See the [DISPlay:DPX:DGRam:TIME\[:SCALE\]:PDIVision](#) command.

**Conditions** Measurement views: DPX spectrum

**Group** Sense commands

**Syntax** [SENSe]:DPX:DGRam:TIME:RESolution:AUTO { OFF | ON | 0 | 1 }  
[SENSe]:DPX:DGRam:TIME:RESolution:AUTO?

**Arguments** OFF or 0 disables the auto time resolution.

ON or 1 enables the auto time resolution.

**Examples** [SENSE]:DPX:DGRAM:TIME:RESOLUTION:AUTO ON sets the timer resolution automatically.

## [SENSe]:DPX:DGRam:WATerfall:DIRection

Sets or queries the direction of the Waterfall (DPXogram) display.

**Conditions** Measurement views: DPX spectrum

**Group** Sense commands

**Syntax** [SENSe]:DPX:DGRam:WATerfall:DIRection { NW | NE }  
[SENSe]:DPX:DGRam:WATerfall:DIRection?

**Arguments** NW sets the display direction to northwest.

NE sets the display direction to northeast.

**Examples** [SENSE]:DPX:DGRAM:WATERFALL:DIRECTION NW sets the waterfall display direction to northwest.

## [SENSe]:DPX:DGRam:WATerfall:ENABLE

Sets or queries the Waterfall (DPXogram) display.

**Conditions** Measurement views: DPX spectrum

**Group** Sense commands

**Syntax** [SENSe]:DPX:DGRam:WATerfall:ENABLE { OFF | ON | 0 | 1 }  
[SENSe]:DPX:DGRam:WATerfall:ENABLE?

**Arguments** OFF or 0 disables the Waterfall display.

ON or 1 enables the Waterfall display.

**Examples** [SENSE]:DPX:DGRAM:WATERFALL:ENABLE ON enables the 3-D Waterfall display.

**[SENSe]:DPX:DGRam:Y[:SCALE]:AUTO (No Query Form)**

Rescales the height axis automatically to fit the waveform to the screen in the DPXogram display.

<b>Conditions</b>	Measurement views: DPX spectrum
<b>Group</b>	Sense commands
<b>Syntax</b>	[SENSe] :DPX:DGRam:Y[:SCALE]:AUTO
<b>Arguments</b>	None
<b>Examples</b>	[SENSE] :DPX:DGRAM:Y[:SCALE]:AUTO rescales the height scale automatically to fit the waveform to the DPXogram display.

**[SENSe]:DPX:DGRam:Y[:SCALE]:RESet (No Query Form)**

Resets the height scale of the DPXogram display to the default values:  
Height position = 0 dB and Height scale = 100 dB.

<b>Conditions</b>	Measurement views: DPX spectrum
<b>Group</b>	Sense commands
<b>Syntax</b>	[SENSe] :DPX:DGRam:Y[:SCALE]:RESet
<b>Arguments</b>	None
<b>Examples</b>	[SENSE] :DPX:DGRAM:Y[:SCALE]:RESET Resets the height scale of the DPXogram display.

**[SENSe]:DPX:DWELI**

Sets or queries the value of the Dwell time for the DPX spectrum measurement.

<b>Conditions</b>	Measurement views: DPX spectrum
-------------------	---------------------------------

Option 200 only

**Group** Sense commands

**Syntax** [SENSE]:DPX:DWEL1 <value>  
[SENSE]:DPX:DWEL1?

**Arguments** <value> :: <NRF> specifies the time the DPX sweep remains in a frequency segment collecting data and updating the bitmap and traces before moving on to the next higher frequency segment.  
Range: 50 ms to 100 s per frequency segment.

**Examples** SENSE:DPX:DWEL1 100ms sets the dwell value for sweeps to 100 ms.

## [SENSe]:DPX:DWEL1:AUTO

Sets the value of the Dwell time automatically or queries for the current value.

**Conditions** Measurement views: DPX spectrum  
Option 200 only

**Group** Sense commands

**Syntax** [SENSe]:DPX:DWEL1:AUTO { OFF | ON | 0 | 1 }  
[SENSe]:DPX:DWEL1:AUTO?

**Related Commands** [\[SENSe\]:DPX:DWEL1](#)

**Arguments** OFF or 0 specifies that the dwell is set manually.  
ON or 1 specifies that the dwell is set automatically.

**Examples** SENSE:DPX:DWEL1:AUTO ON sets the dwell value automatically for sweeps.

## [SENSe]:DPX:FREQuency:CENTer

Sets or queries the center frequency in the DPX spectrum measurement.

---

**NOTE.** *The center, start and stop frequencies are set interlocking each other with the following relationships: (start frequency) = (center frequency) - (span)/2 and (stop frequency) = (center frequency) + (span)/2.*

---

<b>Conditions</b>	Measurement views: DPX spectrum
<b>Group</b>	Sense commands
<b>Syntax</b>	[SENSe]:DPX:FREQUENCY:CENTER <value> [SENSe]:DPX:FREQUENCY:CENTER?
<b>Related Commands</b>	[SENSe]:DPX:FREQUENCY:START, [SENSe]:DPX:FREQUENCY:STOP
<b>Arguments</b>	<value> :: <Nrf> specifies the center frequency. Range: 0 Hz to 6.2 GHz (RSA6106A) / 14 GHz (RSA6114A).
<b>Examples</b>	SENSE:DPX:FREQUENCY:CENTER 7.5GHZ sets the center frequency to 7.5 GHz.

## [SENSe]:DPX:FREQUENCY:SPAN

Sets or queries the frequency span in the DPX spectrum measurement.

<b>Conditions</b>	Measurement views: DPX spectrum
<b>Group</b>	Sense commands
<b>Syntax</b>	[SENSe]:DPX:FREQUENCY:SPAN <value> [SENSe]:DPX:FREQUENCY:SPAN?
<b>Arguments</b>	<value> :: <Nrf> is the frequency span. Range: 10 Hz to 40 MHz (Standard) / 110 MHz (Option 110) Option 200 only: <value> is allowed to exceed the maximum real-time bandwidth.
<b>Examples</b>	SENSE:DPX:FREQUENCY:SPAN 20MHZ sets the span to 20 MHz.

## [SENSe]:DPX:FREQuency:SPAN:{BANDwidth|BWIDth}[:RESolution]:RATio

Determines whether to set the resolution bandwidth (RBW) automatically or manually in the DPX spectrum measurement.

**Conditions** Measurement views: DPX spectrum

**Group** Sense commands

**Syntax** [SENSe]:DPX:FREQuency:SPAN:{BANDwidth|BWIDth}[:RESolution]:  
RATio <value>  
[SENSe]:DPX:FREQuency:SPAN:{BANDwidth|BWIDth}[:RESolution]:  
RATio?

**Related Commands** [\[SENSe\]:DPX:{BANDwidth|BWIDth}\[:RESolution\]:AUTO](#)

**Arguments** <value> :: <NRF> is used to calculate the RBW.

**Examples** SENSE:DPX:FREQuency:SPAN:BANDWIDTH:RATIO 100 the ratio of 100 is used to set the resolution bandwidth when [\[SENSe\]:DPX:{BANDwidth|BWIDth}\[:RESolution\]:AUTO](#) is set to ON.

## [SENSe]:DPX:FREQuency:START

Sets or queries the measurement start frequency (left edge on the graph) in the DPX spectrum measurement.

The center, start and stop frequencies are set interlocking each other. Refer to the [\[SENSe\]:DPX:FREQuency:CENTer](#) command.

**Conditions** Measurement views: DPX spectrum

**Group** Sense commands

**Syntax** [SENSe]:DPX:FREQuency:START <value>  
[SENSe]:DPX:FREQuency:START?

**Related Commands** [\[SENSe\]:DPX:FREQuency:STOP](#)

**Arguments** <value> :: <Nrf> is the measurement start frequency.  
Range: (center frequency)  $\pm$  (span)/2.

**Examples** SENSE:DPX:FREQUENCY:START 6.95GHZ sets the start frequency to 6.95 GHz.

## [SENSe]:DPX:FREQUENCY:STEP

Sets or queries the frequency step size (the amount per press by which the up or down key changes the setting value). Programming a specified step size sets [SENSe]:DPX:FREQUENCY:STEP:AUTO OFF.

**Conditions** Measurement views: DPX spectrum

**Group** Sense commands

**Syntax** [SENSe]:DPX:FREQUENCY:STEP <value>  
[SENSe]:DPX:FREQUENCY:STEP?

**Related Commands** [\[SENSe\]:DPX:FREQUENCY:STEP:AUTO](#)

**Arguments** <value> :: <Nrf> specifies the frequency step size.  
Range: 0 Hz to 6.2 GHz (RSA6106A) / 14 GHz (RSA6114A).

**Examples** SENSE:DPX:FREQUENCY:STEP 1.5kHz sets the step size to 1.5 kHz.

## [SENSe]:DPX:FREQUENCY:STEP:AUTO

Determines whether to set the frequency step size automatically or manually.

**Conditions** Measurement views: DPX spectrum

**Group** Sense commands

**Syntax** [SENSe]:DPX:FREQUENCY:STEP:AUTO { OFF | ON | 0 | 1 }  
[SENSe]:DPX:FREQUENCY:STEP:AUTO?

**Arguments** OFF or 0 specifies that the frequency step size is set manually using the [\[SENSe\]:DPX:FREQuency:STEP](#) command.  
ON or 1 specifies that the frequency step size is set automatically.

**Examples** SENSE:DPX:BANDWIDTH:AUTO ON sets the frequency step size automatically.

## [SENSe]:DPX:FREQuency:STOP

Sets or queries the measurement stop frequency (right edge of the graph) in the DPX spectrum measurement.

The center, start and stop frequencies are set interlocking each other. Refer to the [\[SENSe\]:DPX:FREQuency:CENTer](#) command.

**Conditions** Measurement views: DPX spectrum

**Group** Sense commands

**Syntax** [SENSe]:DPX:FREQuency:STOP <value>  
[SENSe]:DPX:FREQuency:STOP?

**Related Commands** [\[SENSe\]:DPX:FREQuency:START](#)

**Arguments** <value> :: <NRF> is the measurement stop frequency.  
Range: (center frequency) ± (span)/2.

**Examples** SENSE:DPX:FREQUENCY:STOP 7.05GHZ sets the stop frequency to 7.05 GHz.

## [SENSe]:DPX:PLOT

Sets or queries the plot in the DPX spectrum measurement.

**Conditions** Measurement views: DPX spectrum

**Group** Sense commands

**Syntax** [SENSe]:DPX:PLOT { DGRam | SPLit | SPECTrum | ZSPan |  
FREQuency | PHASE }



[SENSe]:DPX:PLOT?

**Arguments** DGRam selects the DPXogram display.  
 SPLit selects the DPX Split display.  
 SPECTrum selects the DPX Spectrum display.  
 ZSPan select the DPX Zero Span display.  
 FREQUency selects the DPX Frequency vs Time display.  
 PHASe selects the DPX Phase vs Time display.

**Examples** SENSE:DPX:PLOT SPECTRUM selects the DPX Spectrum display.

## [SENSe]:DPX:POINTs:COUNT

Sets the number of trace points acquired for the DPX spectrum display.

**Conditions** Measurement views: DPX spectrum  
 Option 200 only

**Group** Sense commands

**Syntax** [SENSe]:DPX:POINTs:COUNT { P801 | P2401 | P4001 | P10401 }  
 [SENSe]:DPX:POINTs:COUNT?

**Arguments** P801 sets the number of sample points to 801.  
 P2401 sets the number of sample points to 2401.  
 P4001 sets the number of sample points to 4001.  
 P8001 sets the number of sample points to 8001.  
 P10401 sets the number of sample points to 10401.

**Examples** SENSE:DPX:POINTs:COUNT P2401 sets the number of trace points to acquire for the DPX spectrum display.

## [SENSe]:DPX:TDM:{BANDwidth|BWIDth}

Sets or queries the value of the measurement bandwidth in the DPX measurement.

<b>Conditions</b>	Measurement views: DPX spectrum
<b>Group</b>	Sense commands
<b>Syntax</b>	[SENSE]:DPX:TDM:{BANDwidth BWIDth} <value> [SENSE]:DPX:TDM:{BANDwidth BWIDth}?
<b>Arguments</b>	<value>::<Nrf> specifies the measurement bandwidth. Range: 100 Hz to Max AcqBW.
<b>Examples</b>	SENSE:DPX:TDM:BANDWIDTH 200 sets the measurement bandwidth to 200 Hz.

### [SENSE]:DPX:TDM:{BANDwidth|BWIDth}:ACTual? (Query Only)

Queries the actual bandwidth in the DPX measurement.

<b>Conditions</b>	Measurement views: DPX spectrum
<b>Group</b>	Sense commands
<b>Syntax</b>	[SENSE]:DPX:TDM:{BANDwidth BWIDth}:ACTual?
<b>Arguments</b>	None
<b>Returns</b>	<Nrf> The actual RBW in Hz.
<b>Examples</b>	SENSE:DPX:TDM:BANDWIDTH:ACTUAL? might return 10E+3, indicating that the actual bandwidth is 10 kHz

### [SENSE]:DPX:TDM:FREQuency:CENTer

Sets or queries the center frequency in the DPX spectrum measurement.

---

**NOTE.** The center, start and stop frequencies are set interlocking each other with the following relationships:  $(start\ frequency) = (center\ frequency) - (span)/2$  and  $(stop\ frequency) = (center\ frequency) + (span)/2$ .

---

<b>Conditions</b>	Measurement views: DPX spectrum
<b>Group</b>	Sense commands
<b>Syntax</b>	[SENSe]:DPX:TDM:FREQUENCY:CENTER <value> [SENSe]:DPX:TDM:FREQUENCY:CENTER?
<b>Arguments</b>	<value>::<Nrf> specifies the center frequency. Range: 0 Hz to 6.2 GHz (RSA6106A) / 14 GHz (RSA6114A).
<b>Examples</b>	SENSE:DPX:TDM:FREQUENCY:CENTER 7.5GHz sets the center frequency to 7.5 GHz.

## [SENSe]:DPX:TDM:RBW

Sets or queries the value of the RBW filter.

<b>Conditions</b>	Measurement views: DPX spectrum
<b>Group</b>	Sense commands
<b>Syntax</b>	[SENSe]:DPX:TDM:RBW <value> [SENSe]:DPX:TDM:RBW?
<b>Arguments</b>	<value>::<Nrf> specifies the RBW filter value. Range: 1 Hz to 60 MHz
<b>Examples</b>	SENSE:DPX:TDM:RBW 2.5 sets the RBW filter value to 2.5 Hz.

## [SENSe]:DPX:TDM:RBW:STATe

Determines whether to set the resolution bandwidth (RBW) filter automatically or manually in the DPX measurement.

<b>Conditions</b>	Measurement views: DPX spectrum
-------------------	---------------------------------

<b>Group</b>	Sense commands
<b>Syntax</b>	[SENSe]:DPX:TDM:RBW:STATE { OFF   ON   0   1 } [SENSe]:DPX:TDM:RBW:STATE?
<b>Arguments</b>	OFF or 0 specifies that the RBW is set automatically. ON or 1 specifies that the RBW is set manually.
<b>Examples</b>	SENSE:DPX:TDM:RBW:STATE ON sets the RBW manually.

## [SENSe]:DPX:TDM:SWEEp:TIME

Sets or queries the sweep time when the plot is set to ZSPan, FREQuency, or PHASe.

<b>Conditions</b>	Measurement views: DPX spectrum
<b>Group</b>	Sense commands
<b>Syntax</b>	[SENSe]:DPX:TDM:SWEEp:TIME <value> [SENSe]:DPX:TDM:SWEEp:TIME?
<b>Arguments</b>	<value>::<NRf> specifies the sweep time. Range: 100 ns to 2000 s.
<b>Examples</b>	SENSE:DPX:TDM:SWEEP:TIME 200 sets the sweep time to 200 s.

## [SENSe]:DPX:TDM:TMOTion

Sets or queries the trace motion when the plot is set to ZSPan, FREQuency, or PHASe.

<b>Conditions</b>	Measurement views: DPX spectrum
<b>Group</b>	Sense commands

**Syntax** [SENSE]:DPX:TDM:TMOTION { NONE | ROLL | NORMAl }  
[SENSE]:DPX:TDM:TMOTION?

**Arguments** NONE turns scrolling off.  
ROLL shifts the previous data points to the left and the latest data point to the right edge of the display.  
NORMAL shifts the latest data point on the display from left to right.

**Examples** [SENSE]:DPX:TDM:TMOTION NORMAL sets the scroll direction to normal.

## [SENSE]:{FM|PM}:BURSt:THReshold

Sets or queries the threshold level above which the input signal is determined to be a burst in the FM/PM measurement. The burst detected first is used for the measurement.

**Conditions** Measurement views: FM, PM

**Group** Sense commands

**Syntax** [SENSE]:{FM|PM}:BURSt:THReshold <value>  
[SENSE]:{FM|PM}:BURSt:THReshold?

**Arguments** <value> :: <Nrf> specifies the threshold level. Range: -100.0 to -10.0 dB.

**Examples** SENSE:FM:BURST:THRESHOLD -10 sets the threshold level to -10 dB in the FM measurement.

## [SENSE]:{FM|PM}:FREQuency:OFFSet

Sets or queries the carrier frequency offset in the FM/PM measurement.

**Conditions** Measurement views: FM, PM

**Group** Sense commands

**Syntax** [SENSE]:{FM|PM}:FREQUENCY:OFFSet <value>  
[SENSE]:{FM|PM}:FREQUENCY:OFFSet?

**Arguments** <value> :: <Nrf> specifies the frequency offset from the center frequency. Range:  $-(\text{MeasBW} * 1.1) / 2$  to  $+(\text{MeasBW} * 1.1) / 2$  where MeasBW is set by the command [SENSE]:{AM|FM|PM}:{BANDwidth|BWIDTH}:MEASurement.

**Examples** SENSE:FM:FREQUENCY:OFFSET 10MHZ sets the carrier frequency offset to 10 MHz.

### [SENSe]:{FM|PM}:FREQUENCY:OFFSet:MARKer (No Query Form)

Sets the frequency offset from the selected marker location in the FM measurement.

Sets the frequency offset from the selected delta marker location in the PM measurement.

**Conditions** Measurement views: FM, PM

**Group** Sense commands

**Syntax** [SENSe]:{FM|PM}:FREQUENCY:OFFSet:MARKer

**Arguments** None.

**Examples** SENSE:FM:FREQUENCY:OFFSet:MARKer sets frequency offset from the selected Marker position.

### [SENSe]:{FM|PM}:FREQUENCY:SEARch:AUTO

Determines whether to detect the carrier frequency automatically or manually in the FM/PM measurements.

**Conditions** Measurement views: FM, PM

**Group** Sense commands

**Syntax** [SENSe]:{FM|PM}:FREQUency:SEARCh:AUTO { OFF | ON | 0 | 1 }  
[SENSe]:{FM|PM}:FREQUency:SEARCh:AUTO?

**Arguments** OFF or 0 specifies that the carrier frequency is set manually. Use the command [SENSe]:{FM|PM}:FREQUency:OFFSet to set the carrier offset frequency.

ON or 1 specifies that the carrier frequency is detected automatically.

**Examples** SENSE:FM:FREQUENCY:SEARCH:AUTO ON specifies that the carrier frequency is detected automatically.

## [SENSe]:{FSETtling|PSETtling}:MAXTracepoints

Sets or queries the maximum trace points in the Settling Time measurements.

**Conditions** Measurement views: Frequency and Phase Settling

**Group** Sense commands

**Syntax** [SENSe]:{FSETtling|PSETtling}:MAXTracepoints { ONEK | TENK  
| HUNDredk | NEVERdecimate }  
[SENSe]:{FSETtling|PSETtling}:MAXTracepoints?

**Arguments** ONEK sets the maximum trace points to 1 k.

TENK sets the maximum trace points to 10 k.

HUNDredk sets the maximum trace points to 100 k.

NEVERdecimate never decimates the trace points.

**Examples** SENSE:PSETTLING:MAXTRACEPOINTS TENK sets the maximum trace points to 10 k.

## [SENSe]:{FSETtling|PSETtling}:{BANDwidth|BWIDTh}

Sets or queries the measurement bandwidth for the Settling Time measurements.

**Conditions** Measurement views: Frequency and Phase Settling Time

<b>Group</b>	Sense commands
<b>Syntax</b>	[SENSe]:{FSETtling PSETtling}:{BANDwidth BWIDTh} <value> [SENSe]:{FSETtling PSETtling}:{BANDwidth BWIDTh}?
<b>Related Commands</b>	<a href="#">FETCh:{AM FM PM}?</a> <a href="#">READ:AM:RESult?</a>
<b>Arguments</b>	<value> :: <NRF> specifies the bandwidth for the specified settling time measurement.
<b>Examples</b>	SENSE:FSETTLING:BANDwidth 1e6 sets the Frequency Settling time measurement bandwidth to 1 MHz.

## [SENSe]:{FSETtling|PSETtling}:{BANDwidth|BWIDTh}:ACTual? (Query Only)

Queries the actual measurement bandwidth in the Settling Time measurements.

<b>Conditions</b>	Measurement views: Frequency and Phase Settling Time
<b>Group</b>	Sense commands
<b>Syntax</b>	[SENSe]:{FSETtling PSETtling}:{BANDwidth BWIDTh}:ACTual?
<b>Arguments</b>	None
<b>Returns</b>	<NRF> The actual measurement bandwidth in Hz.
<b>Examples</b>	SENSE:FSETTLING:BWIDTh:ACTUAL? might return 40.000E+6, indicating that the actual RBW is 40.00 MHz.

## [SENSe]:{FSETtling|PSETtling}:FREQuency:CENTer

Sets or queries the measurement frequency.

<b>Conditions</b>	Measurement views: Frequency and Phase Settling Time
-------------------	--



<b>Group</b>	Sense commands
<b>Syntax</b>	[SENSE]:{FSETtling PSETtling}:FREQUency:CENTer <value> [SENSE]:{FSETtling PSETtling}:FREQUency:CENTer?
<b>Arguments</b>	<value> :: <NRf> specifies the measurement frequency. Range: 0 Hz to 6.2 GHz (RSA6106A) / 14 GHz (RSA6114A) / 20 GHz (RSA6120A).
<b>Examples</b>	SENSE:PSETTLING:FREQUENCY:CENTER 7.5GHz sets the Phase Settling Time measurement frequency to 7.5 GHz.

## [SENSE]:{FSETtling|PSETtling}:FREQUency:OFFSet

Sets or queries the offset frequency.

<b>Conditions</b>	Measurement views: Frequency and Phase Settling Time
<b>Group</b>	Sense commands
<b>Syntax</b>	[SENSE]:{FSETtling PSETtling}:FREQUency:OFFSet <value> [SENSE]:{FSETtling PSETtling}:FREQUency:OFFSet?
<b>Arguments</b>	<value> :: <NRf> specifies the offset frequency. Range: $\pm (0.5 \times \text{Measurement bandwidth})$ Default: 0 Hz.
<b>Examples</b>	SENSE:PSETTLING:FREQUENCY:OFFSET 20E6 sets the Phase Settling Time offset frequency to 20 MHz.

## [SENSE]:{FSETtling|PSETtling}:TARGet:REFerence

Sets or queries the target reference frequency.

<b>Conditions</b>	Measurement views: Frequency and Phase Settling Time
<b>Group</b>	Sense commands

**Syntax** [SENSe]:{FSETtling|PSETtling}:TARGet:REFerence { AUTO | MFReq }  
 [SENSe]:{FSETtling|PSETtling}:TARGet:REFerence?

**Arguments** AUTO causes the instrument to determine the target reference value by averaging at least the last 256 samples at the end of the measurement period.

MFReq specifies that the Measurement Frequency value is used as the target reference frequency.

Default: AUTO

**Examples** SENSE:FSETTLING:TARGET:REFERENCE MFREQ specifies that the target reference frequency is the measurement frequency.

## [SENSe]:{FSETtling|PSETtling}:TOLerance

Sets or queries the frequency or phase range into which the signal must settle.

**Conditions** Measurement views: Frequency and Phase Settling Time

**Group** Sense commands

**Syntax** [SENSe]:{FSETtling|PSETtling}:TOLerance <value>  
 [SENSe]:{FSETtling|PSETtling}:TOLerance?

**Arguments** <value> :: <Nrf> specifies the frequency or phase range.

For Frequency Settling Time:

- Range: 1 Hz to 1 GHz
- Default: 500 kHz

For Phase Settling Time:

- Range: 0.1 degree to 180 degrees
- Default: 1 degree

**Examples** SENSE:FSETTLING:TOLERANCE 2.5E5 sets the tolerance to 250 kHz.

## [SENSE]:{FSETtling|PSETtling}:LENGth

Sets or queries the measurement length.

<b>Conditions</b>	Measurement views: Frequency and Phase Settling Time
<b>Group</b>	Sense commands
<b>Syntax</b>	[SENSE]:{FSETtling PSETtling}:LENGth <value> [SENSE]:{FSETtling PSETtling}:LENGth?
<b>Arguments</b>	<value> :: <NRf> specifies the measurement length in seconds. Range: 10 ns to [(acquisition length) - 400 ns].  If [(analysis start) + (analysis length)] > [(acquisition length) - 400 ns], the actual measurement length is reduced to [(acquisition length) - 200 ns].  Default: 1 ms.
<b>Examples</b>	SENSE:PSETTLING:LENGTH 25.625us sets the measurement length to 25.625 $\mu$ s.

## [SENSE]:{FSETtling|PSETtling}:LENGth:ACTual? (Query Only)

Queries the actual measurement length for the Settling Time measurements.

<b>Conditions</b>	Measurement views: Frequency and Phase Settling Time
<b>Group</b>	Sense commands
<b>Syntax</b>	[SENSE]:{FSETtling PSETtling}:LENGth:ACTual?
<b>Arguments</b>	None
<b>Returns</b>	<NRf> The actual measurement length in Hz.
<b>Examples</b>	SENSE:FSETTLING:LENGTH:ACTUAL? might return 25.625E-6, indicating that the actual measurement length is 25.625 $\mu$ s.

## [SENSe]:{FSETtling|PSETtling}:MASK:STATe

Sets or queries mask test state.

<b>Conditions</b>	Measurement views: Frequency and Phase Settling Time
<b>Group</b>	Sense commands
<b>Syntax</b>	[SENSe]:{FSETtling PSETtling}:MASK:STATE { OFF   ON   0   1 }
<b>Arguments</b>	OFF or 0 enables Mask test. ON or 1 disables Mask test.
<b>Examples</b>	SENSE:FSETTLING:MASK:STATE ON enables mask test.

## [SENSe]:{FSETtling|PSETtling}:MASK:TIME:REFerence

Sets or queries the mask time reference.

<b>Conditions</b>	Measurement views: Frequency and Phase Settling Time
<b>Group</b>	Sense commands
<b>Syntax</b>	[SENSe]:{FSETtling PSETtling}:MASK:TIME:REFerence { TRIGger   TRANSition }
<b>Arguments</b>	TRIGger specifies that the trigger point service as the mask time reference. TRANSition specifies that the point where the signal transitions out of the previous tolerance range serves as the mask time reference. Default: Trigger
<b>Examples</b>	SENSE:FSETTLING:MASK:TIME:REFerence TRIGGER specifies that the trigger point serve as the mask time reference.

## [SENSe]:{FSETtling|PSETtling}:MASK:TIME:START

Sets or queries the mask region start time in seconds.

**Conditions** Measurement views: Frequency and Phase Settling Time

**Group** Sense commands

**Syntax** [SENSe]:{FSETtling|PSETtling}:MASK:TIME:START <x> <value>  
[SENSe]:{FSETtling|PSETtling}:MASK:TIME:START <x>?

**Arguments** <x> ::= { 1 | 2 | 3 } specifies the mask region.  
<value> :: <NRf> specifies the start time of the mask region in seconds.

**Examples** SENSE:FSETTLING:MASK:TIME:START3? might return 1.0000E-3 as the start time for mask region 3.

## [SENSe]:{FSETtling|PSETtling}:MASK:TIME:STOP

Sets or queries the mask region stop time in seconds.

**Conditions** Measurement views: Frequency and Phase Settling Time

**Group** Sense commands

**Syntax** [SENSe]:{FSETtling|PSETtling}:MASK:TIME:STOP <value>  
[SENSe]:{FSETtling|PSETtling}:MASK:TIME:STOP <x>?

**Arguments** <value> :: <NRf> specifies the stop time of the mask in seconds.

**Examples** SENSE:FSETTLING:MASK:TIME:STOP? might return 6.244120000E-3 as the mask stop time.

## [SENSe]:{FSETtling|PSETtling}:MASK:LIMit

Sets or queries the frequency or phase limit for the specified region.

<b>Conditions</b>	Measurement views: Frequency and Phase Settling Time
<b>Group</b>	Sense commands
<b>Syntax</b>	[SENSE]:{FSETtling PSETtling}:MASK:LIMit <x> <value> [SENSE]:{FSETtling PSETtling}:MASK:LIMit <x>?
<b>Arguments</b>	<p>&lt;x&gt; ::= { 1   2   3 } specifies the mask region.</p> <p>&lt;value&gt; :: &lt;Nrf&gt; specifies the frequency or phase limit for the region.</p> <p>For Frequency Settling Time:</p> <ul style="list-style-type: none"> <li>■ Range: 1 Hz to 1 GHz</li> <li>■ Default: 500 kHz</li> </ul> <p>For Phase Settling Time:</p> <ul style="list-style-type: none"> <li>■ Range: 0.1 degree to 180 degrees</li> <li>■ Default: 1 degree</li> </ul>
<b>Examples</b>	SENSE:FSETTLING:MASK:LIMIT2 7.5E5 sets the limit for region 2 to 750 kHz.

## [SENSe]:{FSETtling|PSETtling}:SDURation:MINimum

Sets or queries the minimum settled duration in seconds. This duration time determines the result of :FETCh: {FSETtling | PSETtling}:SLMSd[:PASS]?

<b>Conditions</b>	Measurement views: Frequency and Phase Settling Time
<b>Group</b>	Sense commands
<b>Syntax</b>	[SENSe]:{FSETtling PSETtling}:SDURation:MINimum <value> [SENSe]:{FSETtling PSETtling}:SDURation:MINimum?
<b>Arguments</b>	<value> :: <Nrf> specifies the minimum settled duration in seconds.
<b>Examples</b>	SENSE:FSETTLING:SDURATION:MINIMUM 17.73E-3 sets the minimum settled duration to 17.73 ms.

## [SENSe]:FVTime:CLEAr:RESuLts (No Query Form)

Restarts multi-trace functions (Average and Max/Min Hold).

**Conditions** Measurement views: Frequency versus Time

**Group** Sense commands

**Syntax** [SENSe]:FVTime:CLEAr:RESuLts

**Arguments** None

**Examples** SENSE:FVTIME:CLEAR:RESULTS restarts multi-trace functions.

## [SENSe]:FVTime:FREQuency:CENTer

Sets or queries the center frequency in the Frequency versus Time measurement.

---

**NOTE.** *The center, start and stop frequencies are set interlocking each other with the following relationships: (start frequency) = (center frequency) - (span)/2 and (stop frequency) = (center frequency) + (span)/2.*

---

**Conditions** Measurement views: Frequency versus Time

**Group** Sense commands

**Syntax** [SENSe]:FVTime:FREQuency:CENTer <value>  
[SENSe]:FVTime:FREQuency:CENTer?

**Related Commands** [\[SENSe\]:FVTime:FREQuency:START](#), [\[SENSe\]:FVTime:FREQuency:STOP](#)

**Arguments** <value> :: <Nrf> specifies the center frequency.  
Range: 0 Hz to 6.2 GHz (RSA6106A) / 14 GHz (RSA6114A).

**Examples** SENSE:FVTIME:FREQUENCY:CENTER 7.5GHZ sets the center frequency to 7.5 GHz.

## [SENSe]:FVTime:FREQuency:SPAN

Sets or queries the frequency span in the Frequency versus Time measurement.

**Conditions** Measurement views: Frequency versus Time

**Group** Sense commands

**Syntax** [SENSe]:FVTime:FREQuency:SPAN <value>  
[SENSe]:FVTime:FREQuency:SPAN?

**Arguments** <value> :: <Nrf> is the frequency span.  
Range: 10 Hz to 40 MHz (Standard) / 110 MHz (Option 110)

**Examples** SENSE:FVTIME:FREQUENCY:SPAN 20MHZ sets the span to 20 MHz.

## [SENSe]:FVTime:FREQuency:START

Sets or queries the measurement start frequency (left edge on the graph) in the Frequency versus Time measurement.

The center, start and stop frequencies are set interlocking each other. Refer to the [\[SENSe\]:FVTime:FREQuency:CENTer](#) command.

**Conditions** Measurement views: Frequency versus Time

**Group** Sense commands

**Syntax** [SENSe]:FVTime:FREQuency:START <value>  
[SENSe]:FVTime:FREQuency:START?

**Related Commands** [\[SENSe\]:FVTime:FREQuency:STOP](#)

**Arguments** <value> :: <Nrf> is the measurement start frequency.  
Range: (center frequency)  $\pm$  (span)/2.

**Examples** SENSE:FVTIME:FREQUENCY:START 6.95GHZ sets the start frequency to 6.95 GHz.



## [SENSe]:FVTime:FREQuency:STEP

Sets or queries the frequency step size (the amount per press by which the up or down key changes the setting value). Programming a specified step size sets [SENSe]:FVTime:FREQuency:STEP:AUTO OFF.

**Conditions** Measurement views: Frequency versus Time

**Group** Sense commands

**Syntax** [SENSe]:FVTime:FREQuency:STEP <value>  
[SENSe]:FVTime:FREQuency:STEP?

**Related Commands** [\[SENSe\]:FVTime:FREQuency:STEP:AUTO](#)

**Arguments** <value> :: <Nrf> specifies the frequency step size.  
Range: 0 Hz to 6.2 GHz (RSA6106A) / 14 GHz (RSA6114A).

**Examples** SENSE:FVTIME:FREQUENCY:STEP 1.5kHz sets the step size to 1.5 kHz.

## [SENSe]:FVTime:FREQuency:STEP:AUTO

Determines whether to set the frequency step size automatically or manually.

**Conditions** Measurement views: Frequency versus Time

**Group** Sense commands

**Syntax** [SENSe]:FVTime:FREQuency:STEP:AUTO { OFF | ON | 0 | 1 }  
[SENSe]:FVTime:FREQuency:STEP:AUTO?

**Arguments** OFF or 0 specifies that the frequency step size is set manually using the [\[SENSe\]:FVTime:FREQuency:STEP](#) command.

ON or 1 specifies that the frequency step size is set automatically.

**Examples** SENSE:FVTIME:BANDWIDTH:AUTO ON sets the frequency step size automatically.

## [SENSe]:FVTime:FREQuency:STOP

Sets or queries the measurement stop frequency (right edge of the graph) in the Frequency versus Time measurement.

The center, start and stop frequencies are set interlocking each other. Refer to the [\[SENSe\]:FVTime:FREQuency:CENTer](#) command.

<b>Conditions</b>	Measurement views: Frequency versus Time
<b>Group</b>	Sense commands
<b>Syntax</b>	[SENSe]:FVTime:FREQuency:STOP <value> [SENSe]:FVTime:FREQuency:STOP?

**Related Commands** [\[SENSe\]:FVTime:FREQuency:START](#)

**Arguments** <value> :: <Nrf> is the measurement stop frequency.  
Range: (center frequency) ± (span)/2.

**Examples** SENSE:FVTIME:FREQUENCY:STOP 7.05GHZ sets the stop frequency to 7.05 GHz.

## [SENSe]:FVTime:MAXTracepoints

Sets or queries the maximum trace points in the Frequency versus Time measurement.

<b>Conditions</b>	Measurement views: Frequency versus Time
<b>Group</b>	Sense commands
<b>Syntax</b>	[SENSe]:FVTime:MAXTracepoints { ONEK   TENK   HUNDredk   NEVERdecimate } [SENSe]:FVTime:MAXTracepoints?

**Arguments** ONEK sets the maximum trace points to 1 k.  
TENK sets the maximum trace points to 10 k.  
HUNDredk sets the maximum trace points to 100 k.

NEVERdecimate never decimates the trace points.

**Examples** SENSE:FVTIME:MAXTRACEPOINTS TENK sets the maximum trace points to 10 k.

## [SENSE]:IQVTime:CLEAr:RESuLts (No Query Form)

Restarts multi-trace functions (Average and Max/Min Hold).

**Conditions** Measurement views: RF I&Q versus Time

**Group** Sense commands

**Syntax** [SENSE]:IQVTime:CLEAr:RESuLts

**Arguments** None

**Examples** SENSE:IQVTIME:CLEAR:RESULTS restarts multi-trace functions.

## [SENSE]:IQVTime:FREQuency:CENTer

Sets or queries the center frequency in the RF I&Q versus Time measurement.

---

**NOTE.** *The center, start and stop frequencies are set interlocking each other with the following relationships: (start frequency) = (center frequency) - (span)/2 and (stop frequency) = (center frequency) + (span)/2.*

---

**Conditions** Measurement views: RF I&Q versus Time

**Group** Sense commands

**Syntax** [SENSE]:IQVTime:FREQuency:CENTer <value>  
[SENSE]:IQVTime:FREQuency:CENTer?

**Related Commands** [SENSE]:IQVTime:FREQuency:START, [SENSE]:IQVTime:FREQuency:STOP

- Arguments** <value> :: <Nrf> specifies the center frequency.  
Range: 0 Hz to 6.2 GHz (RSA6106A) / 14 GHz (RSA6114A).
- Examples** SENSE:IQVTIME:FREQUENCY:CENTER 7.5GHZ sets the center frequency to 7.5 GHz.

## [SENSe]:IQVTime:FREQuency:SPAN

Sets or queries the frequency span in the RF I&Q versus Time measurement.

- Conditions** Measurement views: RF I&Q versus Time
- Group** Sense commands
- Syntax** [SENSe]:IQVTime:FREQuency:SPAN <value>  
[SENSe]:IQVTime:FREQuency:SPAN?
- Arguments** <value> :: <Nrf> is the frequency span.  
Range: 10 Hz to 40 MHz (Standard) / 110 MHz (Option 110)
- Examples** SENSE:IQVTIME:FREQUENCY:SPAN 20MHZ sets the span to 20 MHz.

## [SENSe]:IQVTime:FREQuency:START

Sets or queries the measurement start frequency (left edge on the graph) in the RF I&Q versus Time measurement.

The center, start and stop frequencies are set interlocking each other. Refer to the [\[SENSe\]:IQVTime:FREQuency:CENTer](#) command.

- Conditions** Measurement views: RF I&Q versus Time
- Group** Sense commands
- Syntax** [SENSe]:IQVTime:FREQuency:START <value>  
[SENSe]:IQVTime:FREQuency:START?
- Related Commands** [\[SENSe\]:IQVTime:FREQuency:STOP](#)

**Arguments** <value> :: <Nrf> is the measurement start frequency.  
Range: (center frequency) ± (span)/2.

**Examples** SENSE:IQVTIME:FREQUENCY:START 6.95GHZ sets the start frequency to 6.95 GHz.

## [SENSe]:IQVTime:FREQUENCY:STEP

Sets or queries the frequency step size (the amount per press by which the up or down key changes the setting value). Programming a specified step size sets [SENSe]:IQVTime:FREQUENCY:STEP:AUTO OFF.

**Conditions** Measurement views: RF I&Q versus Time

**Group** Sense commands

**Syntax** [SENSe]:IQVTime:FREQUENCY:STEP <value>  
[SENSe]:IQVTime:FREQUENCY:STEP?

**Related Commands** [\[SENSe\]:IQVTime:FREQUENCY:STEP:AUTO](#)

**Arguments** <value> :: <Nrf> specifies the frequency step size.  
Range: 0 Hz to 6.2 GHz (RSA6106A) / 14 GHz (RSA6114A).

**Examples** SENSE:IQVTIME:FREQUENCY:STEP 1.5kHz sets the step size to 1.5 kHz.

## [SENSe]:IQVTime:FREQUENCY:STEP:AUTO

Determines whether to set the frequency step size automatically or manually.

**Conditions** Measurement views: RF I&Q versus Time

**Group** Sense commands

**Syntax** [SENSe]:IQVTime:FREQUENCY:STEP:AUTO { OFF | ON | 0 | 1 }  
[SENSe]:IQVTime:FREQUENCY:STEP:AUTO?

**Arguments** OFF or 0 specifies that the frequency step size is set manually using the [\[SENSe\]:IQVTime:FREQuency:STEP](#) command.

ON or 1 specifies that the frequency step size is set automatically.

**Examples** SENSE:IQVTIME:FREQUENCY:STEP:AUTO ON sets the frequency step size automatically.

## [SENSe]:IQVTime:FREQuency:STOP

Sets or queries the measurement stop frequency (right edge of the graph) in the RF I&Q versus Time measurement.

The center, start and stop frequencies are set interlocking each other. Refer to the [\[SENSe\]:IQVTime:FREQuency:CENTer](#) command.

**Conditions** Measurement views: RF I&Q versus Time

**Group** Sense commands

**Syntax** [SENSe]:IQVTime:FREQuency:STOP <value>  
[SENSe]:IQVTime:FREQuency:STOP?

**Related Commands** [\[SENSe\]:IQVTime:FREQuency:STARt](#)

**Arguments** <value> :: <NRf> is the measurement stop frequency.  
Range: (center frequency) ± (span)/2.

**Examples** SENSE:IQVTIME:FREQUENCY:STOP 7.05GHZ sets the stop frequency to 7.05 GHz.

## [SENSe]:IQVTime:MAXTracepoints

Sets or queries the maximum trace points in the RF I&Q versus Time measurement.

**Conditions** Measurement views: RF I&Q versus Time

**Group** Sense commands

<b>Syntax</b>	<code>[SENSe]:IQVTime:MAXTracepoints { ONEK   TENK   HUNDredk   NEVERdecimate }</code> <code>[SENSe]:IQVTime:MAXTracepoints?</code>
<b>Arguments</b>	ONEK sets the maximum trace points to 1 k. TENK sets the maximum trace points to 10 k. HUNDredk sets the maximum trace points to 100 k. NEVERdecimate never decimates the trace points.
<b>Examples</b>	<code>SENSE:IQVTIME:MAXTRACEPOINTS TENK</code> sets the maximum trace points to 10 k.

## [SENSe]:MCPower:AVERAge

Sets or queries the average method in the MCPR measurement.

<b>Conditions</b>	Measurement views: MCPR
<b>Group</b>	Sense commands
<b>Syntax</b>	<code>[SENSe]:MCPower:AVERAge { OFF   TIME   FREQuency }</code> <code>[SENSe]:MCPower:AVERAge?</code>
<b>Arguments</b>	OFF disables averaging. TIME performs averaging for time samples. FREQuency performs averaging for frequency samples.
<b>Examples</b>	<code>SENSE:MCPOWER:AVERAGE TIME</code> performs averaging for time samples.

## [SENSe]:MCPower:AVERAge:COUNT

Sets or queries the average count in the MCPR measurement.

<b>Conditions</b>	Measurement views: MCPR
<b>Group</b>	Sense commands

**Syntax** [SENSe]:MCPower:AVERAge:COUNT <value>  
[SENSe]:MCPower:AVERAge:COUNT?

**Arguments** <value> :: <NR1> specifies the average count. Range: 2 to 10000.

**Examples** SENSE:MCPOWER:AVERAGE:COUNT 256 sets the average count to 256.

## [SENSe]:MCPower:{BANDwidth|BWIDth}{:RESolution}

Sets or queries the resolution bandwidth (RBW). Programming a specified RBW sets [SENSe]:MCPower{BANDwidth|BWIDth}{:RESolution}:AUTO OFF.

**Conditions** Measurement views: MCPR

**Group** Sense commands

**Syntax** [SENSe]:MCPower:{BANDwidth|BWIDth}{:RESolution} <value>  
[SENSe]:MCPower:{BANDwidth|BWIDth}{:RESolution}?

**Related Commands** [\[SENSe\]:MCPower:{BANDwidth|BWIDth}{:RESolution}:AUTO](#)

**Arguments** <value> :: <NRf> specifies the RBW. Range: 100 Hz to 5 MHz.

**Examples** SENSE:MCPOWER:BANDWIDTH:RESOLUTION 200kHz sets the RBW to 200 kHz.

## [SENSe]:MCPower:{BANDwidth|BWIDth}{:RESolution}:ACTual? (Query Only)

Queries the actual resolution bandwidth (RBW) in the MCPR measurement.

**Conditions** Measurement views: MCPR

**Group** Sense commands

**Syntax** [SENSe]:MCPower:{BANDwidth|BWIDth}{:RESolution}:ACTual?

**Arguments** None



**Returns** <NRf> The actual RBW in Hz.

**Examples** SENSE:MCPOWER:BANDWIDTH:RESOLUTION:ACTUAL? might return 299.624E+3, indicating that the actual RBW is 299.624 kHz.

## [SENSE]:MCPower:{BANDwidth|BWIDth}[:RESolution]:AUTO

Determines whether to set the resolution bandwidth (RBW) automatically or manually.

**Conditions** Measurement views: MCPR

**Group** Sense commands

**Syntax** [SENSe]:MCPower:{BANDwidth|BWIDth}[:RESolution]:AUTO { OFF | ON | 0 | 1 }  
[SENSe]:MCPower:{BANDwidth|BWIDth}[:RESolution]:AUTO?

**Arguments** OFF or 0 specifies that the resolution bandwidth is set manually using the [SENSe]:MCPower:{BANDwidth|BWIDth}[:RESolution] command.

ON or 1 specifies that the resolution bandwidth is set automatically.

**Examples** SENSE:MCPOWER:BANDWIDTH:AUTO ON sets the resolution bandwidth automatically.

## [SENSE]:MCPower:{BANDwidth|BWIDth}:VIDeo

Sets or queries the video bandwidth (VBW). Programming a specified VBW sets [SENSe]:MCPower:{BANDwidth|BWIDth}:VIDeo:STATe OFF.

**Conditions** Measurement views: MCPR

**Group** Sense commands

**Syntax** [SENSe]:MCPower:{BANDwidth|BWIDth}:VIDeo <value>  
[SENSe]:MCPower:{BANDwidth|BWIDth}:VIDeo?

**Related Commands** [\[SENSe\]:MCPower:{BANDwidth|BWIDth}:VIDeo:STATe](#)

**Arguments** <value> :: <Nrf> specifies the VBW.  
Range: Current RBW/10<sup>4</sup> (1 Hz minimum) to Current RBW.

**Examples** SENSE:MCPOWER:BANDWIDTH:VIDEO 200kHz sets the VBW to 200 kHz.

## [SENSe]:MCPower:{BANDwidth|BWIDth}:VIDeo:STATe

Determines whether to enable the video bandwidth (VBW) in the MCPR measurement.

**Conditions** Measurement views: MCPR

**Group** Sense commands

**Syntax** [SENSe]:MCPower:{BANDwidth|BWIDth}:VIDeo:STATE { OFF | ON  
| 0 | 1 }  
[SENSe]:MCPower:{BANDwidth|BWIDth}:VIDeo:STATE?

**Arguments** OFF or 0 disables the VBW.  
ON or 1 enables the VBW.

**Examples** SENSE:MCPOWER:BANDWIDTH:VIDEO:STATE ON enables the VBW.

## [SENSe]:MCPower:CHANnel:ADJacent:ADD (No Query Form)

Adds a pair of upper and lower adjacent channels in the MCPR measurement.

**Conditions** Measurement views: MCPR

**Group** Sense commands

**Syntax** [SENSe]:MCPower:CHANnel:ADJacent:ADD <offset>, <bandwidth>

- Arguments**    `<offset> :: <Nrf>` specifies the offset from the center frequency for the adjacent channel. Range: 0 to 6.2 GHz (RSA6106A) / 14 GHz (RSA6114A).
- `<bandwidth> :: <Nrf>` specifies the bandwidth of the adjacent channel. Range: 0 to 6.2 GHz (RSA6106A) / 14 GHz (RSA6114A).
- Examples**     `SENSE:MCPOWER:CHANNEL:ADJACENT:ADD 200kHz,80kHz` adds a pair of upper and lower adjacent channels with the offset of  $\pm 200$  kHz and the bandwidth of 80 kHz.

## [SENSe]:MCPower:CHANnel:ADJacent:DELeTe (No Query Form)

Deletes a selected adjacent channel in the MCPR measurement.

- Conditions**    Measurement views: MCPR
- Group**         Sense commands
- Syntax**        `[SENSe]:MCPower:CHANnel:ADJacent:DELeTe <channel>`
- Arguments**    `<channel> :: <string>` specifies the channel to be deleted. Specify the channel with "A<n>" for the adjacent channel where <n> represents the channel number (<n> = 1, 2, 3,...). See the example below.
- Examples**     `SENSE:MCPOWER:CHANNEL:ADJACENT:DELETe "A2"` deletes A2 (the adjacent channel 2).

## [SENSe]:MCPower:CHANnel:FILTer

Sets or queries the adjacent channel filter in the MCPR measurement.

- Conditions**    Measurement views: MCPR
- Group**         Sense commands
- Syntax**        `[SENSe]:MCPower:CHANnel:FILTer { RRCosine | NONE }`  
`[SENSe]:MCPower:CHANnel:FILTer?`

- Arguments** RRCosine selects the Root-Raised-Cosine filter.  
NONE uses no filter.
- Examples** SENSE:MCPOWER:CHANNEL:FILTER RRCosine selects Root-Raised-Cosine for the adjacent channel filter.

## [SENSe]:MCPower:CHANnel:MAIN:{BANDwidth|BWIDth}

Sets or queries the frequency bandwidth of the main channels (all share the same value) in the MCPR measurement.

- Conditions** Measurement views: MCPR
- Group** Sense commands
- Syntax** [SENSe]:MCPower:CHANnel:MAIN:{BANDwidth|BWIDth} <value>  
[SENSe]:MCPower:CHANnel:MAIN:{BANDwidth|BWIDth}?
- Arguments** <value> :: <Nrf> specifies the main channel bandwidth.  
Range: 1 Hz to full span.
- Examples** SENSE:MCPOWER:CHANNEL:MAIN:BANDWIDTH 4.5MHZ sets the main channel bandwidth to 4.5 MHz.

## [SENSe]:MCPower:CHANnel:MAIN:COUNT

Sets or queries the number of main channels in the MCPR measurement. You can use this command to add and remove main channels.

- Conditions** Measurement views: MCPR
- Group** Sense commands
- Syntax** [SENSe]:MCPower:CHANnel:MAIN:COUNT <value>  
[SENSe]:MCPower:CHANnel:MAIN:COUNT?
- Arguments** <value> :: <Nrf> specifies the number of main channels. Range: 1 to 99.

**Examples**    `SENSE:MCPOWER:CHANNEL:MAIN:COUNT 3` sets the the number of main channels to 3.

## [SENSE]:MCPower:CHANnel:MAIN:INACTIVE

Makes a specified main channel inactive. You can set it on or off. The query returns all inactive main channels.

**Conditions**    Measurement views: MCPR

**Group**    Sense commands

**Syntax**    `[SENSE]:MCPower:CHANnel:MAIN:INACTIVE <channel>,<boolean>`  
`[SENSE]:MCPower:CHANnel:MAIN:INACTIVE?`

**Arguments**    `<channel> :: <string>` specifies the channel to be inactive.  
 Specify the channel with "M<n>" for the main channel where <n> represents the channel number (<n> = 1, 2, 3,...). See the example below.

`<boolean> ::= { OFF | ON | 0 | 1 }` specifies that the specified channel is inactive (On) or not (Off).

**Examples**    `SENSE:MCPOWER:CHANNEL:MAIN:INACTIVE "M2",ON` makes the main channel 2 inactive.

## [SENSE]:MCPower:CHANnel:MAIN:SPACing

Sets or queries frequency difference between centers of each main channel in the MCPR measurement.

**Conditions**    Measurement views: MCPR

**Group**    Sense commands

**Syntax**    `[SENSE]:MCPower:CHANnel:MAIN:SPACing <value>`  
`[SENSE]:MCPower:CHANnel:MAIN:SPACing?`

**Arguments**    `<value> :: <Nrf>` specifies the spacing between two adjacent main channels.  
 Range: 1 Hz to 1 GHz.

**Examples**     `SENSE:MCPOWER:CHANNEL:MAIN:SPACING 5MHZ` sets the main channel spacing to 5 MHz.

## [SENSe]:MCPower:CHIPrate

Sets or queries the chip rate in the MCPR measurement. This command is valid when `[SENSe]:MCPower:CHANnel:FILTer` is set to RRCosine (Root-Raised-Cosine).

**Conditions**     Measurement views: MCPR

**Group**            Sense commands

**Syntax**           `[SENSe]:MCPower:CHIPrate <value>`  
`[SENSe]:MCPower:CHIPrate?`

**Arguments**       `<value> :: <Nrf>` specifies the chip rate. Range: 100 Hz to 105 MHz.

**Examples**        `SENSE:MCPOWER:CHIPRATE 1kHz` sets the chip rate to 1 kHz.

## [SENSe]:MCPower:CLEar:RESuLts (No Query Form)

Restarts the average trace.

**Conditions**       Measurement views: MCPR

**Group**            Sense commands

**Syntax**           `[SENSe]:MCPower:CLEar:RESuLts`

**Arguments**       None

**Examples**        `SENSE:MCPOWER:CLEAR:RESULTS` restarts the average trace.

## [SENSe]:MCPower:FREQuency

Sets or queries the center frequency in the MCPR measurement.

<b>Conditions</b>	Measurement views: MCPR
<b>Group</b>	Sense commands
<b>Syntax</b>	[SENSe]:MCPower:FREQuency <value> [SENSe]:MCPower:FREQuency?
<b>Arguments</b>	<value> :: <Nrf> specifies the center frequency. Range: 0 to 6.2 GHz (RSA6106A) / 14 GHz (RSA6114A).
<b>Examples</b>	SENSE:MCPOWER:FREQUENCY 2.35GHZ sets the center frequency to 2.35 GHz.

## [SENSe]:MCPower:FREQuency:STEP

Sets or queries the frequency step size. Programming a specified step size sets [SENSe]:MCPower:FREQuency:STEP:AUTO OFF.

<b>Conditions</b>	Measurement views: MCPR
<b>Group</b>	Sense commands
<b>Syntax</b>	[SENSe]:MCPower:FREQuency:STEP <value> [SENSe]:MCPower:FREQuency:STEP?
<b>Related Commands</b>	<a href="#">[SENSe]:MCPower:FREQuency:STEP:AUTO</a>
<b>Arguments</b>	<value> :: <Nrf> specifies the frequency step size. Range: 0 to 6.2 GHz (RSA6106A) / 14 GHz (RSA6114A).
<b>Examples</b>	SENSE:MCPOWER:FREQUENCY:STEP 50kHz sets the frequency step size to 50 kHz.

## [SENSe]:MCPower:FREQUENCY:STEP:AUTO

Determines whether to set the frequency step size automatically or manually in the MCPR measurement.

<b>Conditions</b>	Measurement views: MCPR
<b>Group</b>	Sense commands
<b>Syntax</b>	[SENSe]:MCPower:FREQUENCY:STEP:AUTO { OFF   ON   0   1 } [SENSe]:MCPower:FREQUENCY:STEP:AUTO?
<b>Arguments</b>	OFF or 0 specifies that the frequency step size is set manually using the [SENSe]:MCPower:FREQUENCY:STEP command. ON or 1 specifies that the frequency step size is set automatically.
<b>Examples</b>	SENSE:MCPOWER:FREQUENCY:STEP:AUTO ON specifies that the frequency step size is set automatically.

## [SENSe]:MCPower:NFLoor:STATE

Determines whether to enable correction for noise floor.

<b>Conditions</b>	Measurement views: MCPR
<b>Group</b>	Sense commands
<b>Syntax</b>	[SENSe]:MCPower:NFLoor:STATE { OFF   ON   0   1 } [SENSe]:MCPower:NFLoor:STATE?
<b>Arguments</b>	OFF or 0 disables correction for noise floor. ON or 1 enables correction for noise floor.
<b>Examples</b>	SENSE:MCPOWER:NFLOOR:STATE ON enables correction for noise floor.



## [SENSe]:MCPower:POINts:COUNT

Sets or queries the number of trace points in the MCPR display.

<b>Conditions</b>	Measurement views: MCPR
<b>Group</b>	Sense commands
<b>Syntax</b>	[SENSe]:MCPower:POINts:COUNT { P801   P2401   P4001   P8001   P10801 } [SENSe]:MCPower:POINts:COUNT?
<b>Arguments</b>	P801   P2401   P4001   P8001   P10801 set the number of trace points.
<b>Examples</b>	SENSe:MCPOWER:POINts:COUNT P4001 sets the number of trace points in the MCPR measurement to 4001.

## [SENSe]:MCPower:RCHannels? (Query Only)

Queries the power reference in the MCPR measurement.

<b>Conditions</b>	Measurement views: MCPR
<b>Group</b>	Sense commands
<b>Syntax</b>	[SENSe]:MCPower:RCHannels?
<b>Arguments</b>	None
<b>Returns</b>	<power_ref>::={ Total   M<x> } where <x> = 1 to 99.  Total indicates that the power reference is the total power of all the active channels.  M<x> indicates that the power reference is the main channel with the index (<x>).
<b>Examples</b>	SENSe:MCPOWER:RCHANNELS? might return M3, indicating that the power reference is the main channel 3.

**[SENSe]:MCPower:RCHannels:MAIN<x> (No Query Form)**

Sets the power reference to the main channel with the index (<x>) in the MCPR measurement.

The parameter <x> = 1 to 99, representing the main channel 1 to 99, respectively. The main channel must be defined using the [SENSe]:MCPower:CHANnel:MAIN commands.

<b>Conditions</b>	Measurement views: MCPR
<b>Group</b>	Sense commands
<b>Syntax</b>	[SENSe]:MCPower:RCHanne]s:MAIN<x>
<b>Related Commands</b>	[:SENSe]:MCPower:CHANnel:MAIN commands
<b>Arguments</b>	None
<b>Examples</b>	SENSE:MCPOWER:RCHANNELS:MAIN3 selects Main 3 for the power reference channel.

**[SENSe]:MCPower:RCHannels:TOTal (No Query Form)**

Sets the power reference to the total power of all the active channels in the MCPR measurement.

<b>Conditions</b>	Measurement views: MCPR
<b>Group</b>	Sense commands
<b>Syntax</b>	[SENSe]:MCPower:RCHanne]s:TOTa]l
<b>Arguments</b>	None
<b>Examples</b>	SENSE:MCPOWER:RCHANNELS:TOTAL sets the power reference to the total power of all the active channels.

## [SENSe]:MCPower:RRCRolloff

Sets or queries the filter parameter (roll-off ratio) for the Root Raised Cosine filter.

**Conditions** Measurement views: MCPR

**Group** Sense commands

**Syntax** [SENSe]:MCPower:RRCRolloff <value>  
[SENSe]:MCPower:RRCRolloff?

**Related Commands** [\[SENSe\]:MCPower:CHANnel:FILTer](#)

**Arguments** <value> :: <Nrf> specifies the filter parameter.  
Range: 0.001 to 1, 0.0001 step.

**Examples** SENSE:MCPOWER:RRCROLLOFF 0.3 sets the filter parameter to 0.3.

## [SENSe]:MEASurement:FREQuency

Sets or queries the measurement frequency.

**Conditions** Measurement views: All

**Group** Sense commands

**Syntax** [SENSe]:MEASurement:FREQuency <value>  
[SENSe]:MEASurement:FREQuency?

**Arguments** <value> :: <Nrf> specifies the measurement frequency.  
Range: 0 Hz to 6.2 GHz (RSA6106A) / 14 GHz (RSA6114A).

**Examples** SENSE:MEASUREMENT:FREQUENCY 7.5GHZ sets the measurement frequency to 7.5 GHz.

## [SENSe]:MEASurement:FREQuency:CENTer:LOCK

Sets or queries locking the measurement center frequency.

<b>Conditions</b>	Measurement views: All
<b>Group</b>	Sense commands
<b>Syntax</b>	[SENSe]:MEASurement:FREQuency:CENTer:LOCK { OFF   ON   0   1 } [SENSe]:MEASurement:FREQuency:CENTer:LOCK?
<b>Arguments</b>	OFF or 0 disables locking the center frequency. ON or 1 enables locking the center frequency.
<b>Examples</b>	[SENSe]:MEASUREMENT:FREQUENCY:CENTER:LOCK ON locks the center frequency.

## [SENSe]:OBWidth:AVERage

Sets or queries whether to enable averaging in the Occupied Bandwidth measurement.

<b>Conditions</b>	Measurement views: Occupied Bandwidth
<b>Group</b>	Sense commands
<b>Syntax</b>	[SENSe]:OBwidth:AVERage { OFF   ON   0   1 } [SENSe]:OBwidth:AVERage?
<b>Arguments</b>	OFF or 0 disables averaging. ON or 1 enables averaging.
<b>Examples</b>	SENSE:OBWIDTH:AVERAGE ON enables averaging.

**[SENSe]:OBWidth:AVERage:COUNT**

Sets or queries the number of measurements for averaging in the Occupied Bandwidth measurement.

<b>Conditions</b>	Measurement views: Occupied Bandwidth
<b>Group</b>	Sense commands
<b>Syntax</b>	[SENSe]:OBWidth:AVERage:COUNT <number> [SENSe]:OBWidth:AVERage:COUNT?
<b>Arguments</b>	<number> :: <NR1> specifies the average count. Range: 2 to 10000.
<b>Examples</b>	SENSE:OBWIDTH:AVERAGE:COUNT 64 sets the average count to 64.

**[SENSe]:OBWidth:{BANDwidth|BWIDth}:MEASurement**

Sets or queries the measurement bandwidth to determine the total power in the Occupied Bandwidth measurement.

<b>Conditions</b>	Measurement views: Occupied Bandwidth
<b>Group</b>	Sense commands
<b>Syntax</b>	[SENSe]:OBWidth:{BANDwidth BWIDth}:MEASurement <value> [SENSe]:OBWidth:{BANDwidth BWIDth}:MEASurement?
<b>Arguments</b>	<value> :: <NRf> specifies the measurement bandwidth. Range: 100 Hz to 109 MHz.
<b>Examples</b>	SENSE:OBWIDTH:BANDWIDTH:MEASUREMENT 10MHZ sets the measurement bandwidth to 10 MHz.

## [SENSe]:OBWidth:{BANDwidth|BWIDth}[:RESolution]

Sets or queries the resolution bandwidth (RBW). Programming a specified RBW sets [SENSe]:OBWidth{BANDwidth|BWIDth}[:RESolution]:AUTO OFF.

<b>Conditions</b>	Measurement views: Occupied Bandwidth
<b>Group</b>	Sense commands
<b>Syntax</b>	[SENSe]:OBwidth:{BANDwidth BWIDth}[:RESolution] <value> [SENSe]:OBwidth:{BANDwidth BWIDth}[:RESolution]?
<b>Related Commands</b>	[SENSe]:OBWidth:{BANDwidth BWIDth}[:RESolution]:AUTO
<b>Arguments</b>	<value> :: <NRF> specifies the RBW. Range: 100 Hz to 5 MHz.
<b>Examples</b>	SENSE:OBWIDTH:BANDWIDTH:RESOLUTION 200kHz sets the RBW to 200 kHz.

## [SENSe]:OBWidth:{BANDwidth|BWIDth}[:RESolution]:ACTual? (Query Only)

Queries the actual resolution bandwidth (RBW) in the Occupied Bandwidth measurement.

<b>Conditions</b>	Measurement views: Occupied Bandwidth
<b>Group</b>	Sense commands
<b>Syntax</b>	[SENSe]:OBwidth:{BANDwidth BWIDth}[:RESolution]:ACTual?
<b>Arguments</b>	None
<b>Returns</b>	<NRF> The actual RBW in Hz.
<b>Examples</b>	SENSE:OBWIDTH:BANDWIDTH:RESOLUTION:ACTUAL? might return 299.624E+3, indicating that the actual RBW is 299.624 kHz.

**[SENSe]:OBWidth:{BANDwidth|BWIDth}[:RESolution]:AUTO**

Determines whether to set the resolution bandwidth (RBW) automatically or manually in the Occupied Bandwidth measurement.

<b>Conditions</b>	Measurement views: Occupied Bandwidth
<b>Group</b>	Sense commands
<b>Syntax</b>	[SENSe]:OBwidth:{BANDwidth BWIDth}[:RESolution]:AUTO { OFF   ON   0   1 } [SENSe]:OBwidth:{BANDwidth BWIDth}[:RESolution]:AUTO?
<b>Arguments</b>	OFF or 0 specifies that the RBW is set manually using the [SENSe]:OBWidth:{BANDwidth BWIDth}[:RESolution] command. ON or 1 specifies that the RBW is set automatically.
<b>Examples</b>	SENSE:OBWIDTH:BANDWIDTH:AUTO ON sets the RBW automatically.

**[SENSe]:OBWidth:{BANDwidth|BWIDth}:VIDeo**

Sets or queries the video bandwidth (VBW). Programming a specified VBW sets [SENSe]:OBWidth{BANDwidth|BWIDth}:VIDeo:STATe OFF.

<b>Conditions</b>	Measurement views: Occupied Bandwidth
<b>Group</b>	Sense commands
<b>Syntax</b>	[SENSe]:OBwidth:{BANDwidth BWIDth}:VIDeo <value> [SENSe]:OBwidth:{BANDwidth BWIDth}:VIDeo?
<b>Arguments</b>	<value> :: <Nrf> specifies the VBW. Range: Current RBW/10 <sup>4</sup> (1 Hz minimum) to Current RBW.
<b>Examples</b>	SENSE:OBWIDTH:BANDWIDTH:VIDEO 200kHz sets the VBW to 200 kHz.

**[SENSe]:OBWidth:{BANDwidth|BWIDth}:VIDeo:STATe**

Determines whether to enable the video bandwidth (VBW) in the Occupied Bandwidth measurement.

<b>Conditions</b>	Measurement views: Occupied Bandwidth
<b>Group</b>	Sense commands
<b>Syntax</b>	[SENSe]:OBwidth:{BANDwidth BWIDth}:VIDeo:STATE { OFF   ON   0   1 } [SENSe]:OBwidth:{BANDwidth BWIDth}:VIDeo:STATE?
<b>Arguments</b>	OFF or 0 disables the VBW. ON or 1 enables the VBW.
<b>Examples</b>	SENSE:OBWIDTH:BANDWIDTH:VIDEO:STATE ON enables the VBW.

**[SENSe]:OBWidth:CLEar:RESuLts (No Query Form)**

Restarts the average trace. This command is valid when [\[SENSe\]:OBWidth:AVERage](#) is set to ON.

<b>Conditions</b>	Measurement views: Occupied Bandwidth
<b>Group</b>	Sense commands
<b>Syntax</b>	[SENSe]:OBwidth:CLEar:RESuLts
<b>Arguments</b>	None
<b>Examples</b>	SENSE:OBWIDTH:CLEAR:RESULTS restarts the average trace.



## [SENSe]:OBWidth:FREQuency:CENTer

Sets or queries the center frequency in the Occupied Bandwidth measurement.

**Conditions** Measurement views: Occupied Bandwidth

**Group** Sense commands

**Syntax** [SENSe]:OBwidth:FREQuency:CENTer <value>  
[SENSe]:OBwidth:FREQuency:CENTer?

**Arguments** <value> :: <Nrf> specifies the center frequency.  
Range: 0 Hz to 6.2 GHz (RSA6106A) / 14 GHz (RSA6114A).

**Examples** SENSE:OBWIDTH:FREQUENCY:CENTER 7.5GHZ sets the center frequency to 7.5 GHz.

## [SENSe]:OBWidth:FREQuency:STEP

Sets or queries the frequency step size in the Occupied Bandwidth measurement. Programming a specified step size sets [SENSe]:OBWidth:FREQuency:STEP AUTO OFF.

**Conditions** Measurement views: Occupied Bandwidth

**Group** Sense commands

**Syntax** [SENSe]:OBwidth:FREQuency:STEP <value>  
[SENSe]:OBwidth:FREQuency:STEP?

**Related Commands** [\[SENSe\]:OBWidth:FREQuency:STEP:AUTO](#)

**Arguments** <value> :: <Nrf> specifies the frequency step size.  
Range: 0 to 6.2 GHz (RSA6106A) / 14 GHz (RSA6114A).

**Examples** SENSE:OBWIDTH:FREQUENCY:STEP 1kHz sets the frequency step size to 1 kHz.

## [SENSe]:OBWidth:FREQuency:STEP:AUTO

Determines whether to set the frequency step size automatically or manually in the Occupied Bandwidth measurement.

<b>Conditions</b>	Measurement views: Occupied Bandwidth
<b>Group</b>	Sense commands
<b>Syntax</b>	[SENSe]:OBwidth:FREQuency:STEP:AUTO { OFF   ON   0   1 } [SENSe]:OBwidth:FREQuency:STEP:AUTO?
<b>Arguments</b>	OFF or 0 specifies that the frequency step size is set manually using the [SENSe]:OBWidth:FREQuency:STEP command. ON or 1 specifies that the frequency step size is set automatically.
<b>Examples</b>	SENSE:OBWIDTH:FREQUENCY:STEP:AUTO ON specifies that the frequency step size is set automatically.

## [SENSe]:OBWidth:PERCent

Sets or queries the occupied bandwidth percent power (power ratio of the occupied bandwidth to the measurement bandwidth).

<b>Conditions</b>	Measurement views: Occupied Bandwidth
<b>Group</b>	Sense commands
<b>Syntax</b>	[SENSe]:OBwidth:PERCent <value> [SENSe]:OBwidth:PERCent?
<b>Arguments</b>	<value> :: <NRf> specifies the occupied bandwidth percent power. Range: 50 to 99.9%.
<b>Examples</b>	SENSE:OBWIDTH:PERCENT 98 sets the occupied bandwidth percent power to 98%.

## [SENSE]:OBWidth:XDBLevel

Sets or queries the x dB level (how far down from the peak level the bandwidth is measured) in the x dB bandwidth measurement.

<b>Conditions</b>	Measurement views: Occupied Bandwidth
<b>Group</b>	Sense commands
<b>Syntax</b>	[SENSE]:OBWidth:XDBLevel <value> [SENSE]:OBWidth:XDBLevel?
<b>Arguments</b>	<value> :: <Nrf> specifies the x dB level. Range: -80 to -1 dB.
<b>Examples</b>	SENSE:OBWIDTH:XDBLEVEL -10 sets the x dB level to -10 dB.

## [SENSE]:OFDM:CHANnel:ESTimation

Sets or queries the channel estimation in the OFDM view.

<b>Conditions</b>	Measurement views: OFDM
<b>Group</b>	Sense commands
<b>Syntax</b>	[SENSE]:OFDM:CHANnel:ESTimation { PReamble   PDATA } [SENSE]:OFDM:CHANnel:ESTimation?
<b>Arguments</b>	PReamble specifies the channel estimation is Preamble. PDATA specifies the channel estimation is Preamble + Data.
<b>Examples</b>	[SENSE]:OFDM:CHANNEL:ESTIMATION PDAT sets the channel estimation to Preamble + Data.

## [SENSE]:OFDM:CHANnel[:BANDwidth|BWIDth]

Sets or queries the channel bandwidth in the OFDM view.

<b>Conditions</b>	Measurement views: OFDM
<b>Group</b>	Sense commands
<b>Syntax</b>	[SENSE]:OFDM:CHANnel[:BANDwidth BWIDth] <value> [SENSE]:OFDM:CHANnel[:BANDwidth BWIDth]?
<b>Arguments</b>	<value>::<NRf> specifies the channel bandwidth.
<b>Examples</b>	[SENSE]:OFDM:CHANNEL[:BANDWIDTH BWIDTH] 20E+6 sets the channel bandwidth to 20 MHz.

### [SENSE]:OFDM:CHANnel[:BANDwidth|BWIDth]:SRATe? (Query Only)

Returns the FFT sample rate for the OFDM view.

<b>Conditions</b>	Measurement views: OFDM
<b>Group</b>	Sense commands
<b>Syntax</b>	[SENSE]:OFDM:CHANnel[:BANDwidth BWIDth]:SRATe?
<b>Arguments</b>	None
<b>Returns</b>	<NRf> The sample rate in Hz.
<b>Examples</b>	[SENSE]:OFDM:CHANNEL[:BANDWIDTH BWIDTH]:SRATE? might return 20E+6 indicating the sample rate is 20 MHz.

### [SENSE]:OFDM:CHANnel[:BANDwidth|BWIDth]:STATe

Determines whether the channel bandwidth is on or off in the OFDM view.

<b>Conditions</b>	Measurement views: OFDM
<b>Group</b>	Sense commands

<b>Syntax</b>	<code>[SENSe]:OFDM:CHANnel[:BANDwidth BWIDth]:STATE { OFF   ON   0   1 }</code> <code>[SENSe]:OFDM:CHANnel[:BANDwidth BWIDth]:STATE?</code>
<b>Arguments</b>	OFF or 0 specifies that the channel bandwidth is off. ON or 1 specifies that the channel bandwidth is on.
<b>Examples</b>	<code>[SENSe]:OFDM:CHANNEL[:BANDWIDTH BWIDTH]:STATE ON</code> sets the channel bandwidth setting to on.

## [SENSe]:OFDM:CONStE:DETermination

Sets or queries the constellation determination in the OFDM view.

<b>Conditions</b>	Measurement views: OFDM
<b>Group</b>	Sense commands
<b>Syntax</b>	<code>[SENSe]:OFDM:CONStE:DETermination { AUTO   MANua1 }</code> <code>[SENSe]:OFDM:CONStE:DETermination?</code>
<b>Arguments</b>	AUTO specifies the instrument automatically detects the constellation determination. MANua1 allows you to select a manual constellation type.
<b>Examples</b>	<code>[SENSe]:OFDM:CONStE:DETERMINATION MAN</code> sets the constellation determination so you can select a manual constellation type using the <code>[SENSe]:OFDM:CONStE:DETermination:MANua1</code> command.

## [SENSe]:OFDM:CONStE:DETermination:MANua1

Sets or queries a manual constellation type. The Constellation determination must be set to Manual using the `[SENSe]:OFDM:CONStE:DETermination` command.

<b>Conditions</b>	Measurement views: OFDM
<b>Group</b>	Sense commands

**Syntax** [SENSE]:OFDM:CONStE:DETermination:MANua] { BPSK | QAM16 | QAM64 | QPSK }  
[SENSE]:OFDM:CONStE:DETermination:MANua]?

**Related Commands** [\[SENSe\]:OFDM:CONStE:DETermination](#)

**Arguments** BPSK specifies the BPSK constellation type.  
QAM16 specifies the QAM16 constellation type.  
QAM64 specifies the QAM16 constellation type.  
QPSK specifies the QPSK constellation type.

**Examples** [SENSE]:OFDM:CONStE:DETermination:MANUAL QPSK selects the QPSK constellation type.

## [SENSe]:OFDM:FFT:LENGth? (Query Only)

Returns the FFT length for the OFDM view.

**Conditions** Measurement views: OFDM

**Group** Sense commands

**Syntax** [SENSe]:OFDM:FFT:LENGth?

**Arguments** None

**Returns** <NR1> The FFT length.

**Examples** [SENSE]:OFDM:FFT:LENGTh? might return the FFT length as 64.

## [SENSe]:OFDM:GUARd:INTerval

Sets or queries the guard interval in the OFDM view.

**Conditions** Measurement views: OFDM

<b>Group</b>	Sense commands
<b>Syntax</b>	[SENSE]:OFDM:GUARD:INTERVAL { FOURth   EIGHth   SIXTEenth   THIRtysecond   USER }
<b>Arguments</b>	<p>FOURth specifies the guard interval is set to 1/4.</p> <p>EIGHth specifies the guard interval is set to 1/8.</p> <p>SIXTEenth specifies the guard interval is set to 1/16.</p> <p>THIRtysecond specifies the guard interval is set to 1/32.</p> <p>USER specifies a user-defined guard interval.</p>
<b>Examples</b>	[SENSE]:OFDM:GUARD:INTERVAL THIR sets the guard interval to 1/32.

## [SENSE]:OFDM:GUARD:INTERVAL:USER

Sets or queries a user-defined guard interval. The Guard Interval must be set to USER.

<b>Conditions</b>	Measurement views: OFDM
<b>Group</b>	Sense commands
<b>Syntax</b>	<pre>[SENSE]:OFDM:GUARD:INTERVAL:USER &lt;value&gt; [SENSE]:OFDM:GUARD:INTERVAL:USER?</pre>
<b>Related Commands</b>	<a href="#">[SENSE]:OFDM:GUARD:INTERVAL</a>
<b>Arguments</b>	<value>::<NRf> specifies the guard interval.
<b>Examples</b>	[SENSE]:OFDM:GUARD:INTERVAL:USER 3.12 sets the guard interval to 3.12%.

## [SENSE]:OFDM:PILOT:TRACKING:AMPLITUDE:STATE

Determines whether to select the Amplitude pilot tracking in the OFDM view.

<b>Conditions</b>	Measurement views: OFDM
-------------------	-------------------------

<b>Group</b>	Sense commands
<b>Syntax</b>	[SENSE]:OFDM:PILOT:TRACKING:AMPLITUDE:STATE { OFF   ON   0   1 } [SENSE]:OFDM:PILOT:TRACKING:AMPLITUDE:STATE?
<b>Arguments</b>	OFF or 0 specifies that the Amplitude pilot tracking is off.. ON or 1 specifies that the Amplitude pilot tracking is on.
<b>Examples</b>	[SENSE]:OFDM:PILOT:TRACKING:AMPLITUDE:STATE ON turns the Amplitude pilot tracking on.

## [SENSE]:OFDM:PILOT:TRACKING:PHASE:STATE

Determines whether to select the Phase pilot tracking in the OFDM view.

<b>Conditions</b>	Measurement views: OFDM
<b>Group</b>	Sense commands
<b>Syntax</b>	[SENSE]:OFDM:PILOT:TRACKING:PHASE:STATE { OFF   ON   0   1 }
<b>Arguments</b>	OFF or 0 specifies that the Phase pilot tracking is off.. ON or 1 specifies that the Phase pilot tracking is on.
<b>Examples</b>	[SENSE]:OFDM:PILOT:TRACKING:PHASE:STATE ON turns the Phase pilot tracking on.

## [SENSE]:OFDM:PILOT:TRACKING:TIMING:STATE

Determines whether to select the Timing pilot tracking in the OFDM view.

<b>Conditions</b>	Measurement views: OFDM
<b>Group</b>	Sense commands



---

<b>Syntax</b>	<code>[SENSE]:OFDM:PILOT:TRACKING:TIMING:STATE { OFF   ON   0   1 }</code>
<b>Arguments</b>	OFF or 0 specifies that the Timing pilot tracking is off. ON or 1 specifies that the Timing pilot tracking is on.
<b>Examples</b>	<code>[SENSE]:OFDM:PILOT:TRACKING:TIMING:STATE ON</code> turns the Timing pilot tracking on.

## **[SENSE]:OFDM:RADIX (No Query Form)**

Sets the radix for the OFDM measurements. This command is effective in the symbol table.

<b>Conditions</b>	Measurement views: OFDM
<b>Group</b>	Sense commands
<b>Syntax</b>	<code>[SENSE]:OFDM:RADIX { BINARY   HEX }</code>
<b>Arguments</b>	
<b>Returns</b>	BINARY specifies the binary radix. HEX specifies the hexadecimal radix.
<b>Examples</b>	<code>[SENSE]:OFDM:RADIX HEX</code> sets the radix to hexadecimal for the OFDM symbol table.

## **[SENSE]:OFDM:SCARRIER:SPACING**

Sets or queries the subcarrier spacing in the OFDM view.

<b>Conditions</b>	Measurement views: OFDM
<b>Group</b>	Sense commands

**Syntax** [SENSE]:OFDM:SCARrier:SPACing <value>  
[SENSE]:OFDM:SCARrier:SPACing?

**Arguments** <value>::<NRf> specifies the subcarrier spacing.

**Examples** [SENSE]:OFDM:SCARRIER:SPACING 312.5E+3 sets the subcarrier spacing to 312.5 MHz.

## [SENSE]:OFDM:SCARrier:SPACing:STATe

Determines whether the subcarrier spacing is on or off in the OFDM view

**Conditions** Measurement views: OFDM

**Group** Sense commands

**Syntax** [SENSE]:OFDM:SCARrier:SPACing:STATe { OFF | ON | 0 | 1 }  
[SENSE]:OFDM:SCARrier:SPACing:STATe?

**Arguments** OFF or 0 specifies that the subcarrier spacing is off.  
ON or 1 specifies that the subcarrier spacing is on.

**Examples** [SENSE]:OFDM:SCARRIER:SPACING:STATE ON sets the subcarrier spacing to on.

## [SENSE]:OFDM:SCARriers

Sets or queries the Subcarriers to display in the OFDM view.

**Conditions** Measurement views: OFDM

**Group** Sense commands

**Syntax** [SENSE]:OFDM:SCARriers { ALL | PILOt | DATA | RANGE | SINGLE }  
[SENSE]:OFDM:SCARriers?

<b>Arguments</b>	<p>ALL specifies that all subcarriers will be displayed.</p> <p>PILOt specifies that only the pilot subcarriers will be displayed.</p> <p>DATA specifies that only the data subcarriers will be displayed.</p> <p>RANGE specifies that the subcarriers within a specified range will be displayed.</p> <p>SINGLe specifies that only a single subcarrier will be displayed.</p>
<b>Examples</b>	[SENSE]:OFDM:SCARRIERS ALL sets the OFDM view to display all subcarriers.

## [SENSE]:OFDM:SCARRIERS:RANGE:START

Sets or queries the subcarrier start range in the OFDM view.

<b>Conditions</b>	Measurement views: OFDM
<b>Group</b>	Sense commands
<b>Syntax</b>	[SENSE]:OFDM:SCARRIERS:RANGE:START <value> [SENSE]:OFDM:SCARRIERS:RANGE:START?
<b>Related Commands</b>	<a href="#">[SENSE]:OFDM:SCARRIERS:RANGE:STOP</a>
<b>Arguments</b>	<NR1>
<b>Examples</b>	[SENSE]:OFDM:SCARRIERS:RANGE:START -20 sets the subcarrier start range to -20.

## [SENSE]:OFDM:SCARRIERS:RANGE:STOP

Sets or queries the subcarrier stop range in the OFDM view.

<b>Conditions</b>	Measurement views: OFDM
<b>Group</b>	Sense commands
<b>Syntax</b>	[SENSE]:OFDM:SCARRIERS:RANGE:STOP <value> [SENSE]:OFDM:SCARRIERS:RANGE:STOP?

**Related Commands**    [\[SENSe\]:OFDM:SCARriers:RANGe:STARt](#)

**Arguments**    <NR1>

**Examples**    [SENSe]:OFDM:SCARRIERS:RANGE:STOP 20 sets the subcarrier stop range to 20.

## [SENSe]:OFDM:SCARriers:SINGle:INDEX

Sets or queries the index of a single subcarrier in the OFDM view.

**Conditions**    Measurement views: OFDM

**Group**    Sense commands

**Syntax**    [SENSe]:OFDM:SCARriers:SINGle:INDEX <Value>  
[SENSe]:OFDM:SCARriers:SINGle:INDEX?

**Arguments**    <NR1>

**Examples**    [SENSe]:OFDM:SCARRIERS:SINGLE:INDEX -10 sets the single subcarrier index to -10.

## [SENSe]:OFDM:STANDARD

Sets or queries the OFDM standard.

**Conditions**    Measurement views: OFDM

**Group**    Sense commands

**Syntax**    [SENSe]:OFDM:STANDARD { s802\_11 | s802\_16 }  
[SENSe]:OFDM:STANDARD?

**Arguments**    s802\_11 specifies the 802.11a/g/j OFDM standard.  
s802\_16 specifies the 802.16 (2004) standard..

**Examples** [SENSE]:OFDM:STANDARD S802\_16 sets the OFDM standard to 802.16.

## [SENSe]:OFDM:SWAP:IQ

Determines whether or not to exchange I and Q data before demodulating.

**Conditions** Measurement views: OFDM

**Group** Sense commands

**Syntax** [SENSe]:OFDM:SWAP:IQ { OFF | ON | 0 | 1 }  
[SENSe]:OFDM:SWAP:IQ?

**Arguments** OFF or 0 uses I and Q data as they are.  
ON or 1 exchanges I and Q data.

**Examples** [SENSE]:OFDM:SWAP:IQ ON exchanges I and Q data before demodulating.

## [SENSe]:OFDM:SYMBOL:ANALYSIS:OFFSET

Sets or queries the OFDM symbol analysis offset.

**Conditions** Measurement views: OFDM

**Group** Sense commands

**Syntax** [SENSe]:OFDM:SYMBOL:ANALYSIS:OFFSET <value>  
[SENSe]:OFDM:SYMBOL:ANALYSIS:OFFSET?

**Arguments** <value> specifies the symbol analysis offset as a percentage.  
Range 0 to -100%.

**Examples** [SENSE]:OFDM:SYMBOL:ANALYSIS:OFFSET -50 sets the symbol analysis offset to -50%.

## [SENSe]:OFDM:SYMBOLs

Sets or queries the symbols to display in the OFDM view.

<b>Conditions</b>	Measurement views: OFDM
<b>Group</b>	Sense commands
<b>Syntax</b>	[SENSe]:OFDM:SYMBOLs { ALL   RANGE   SINGLe } [SENSe]:OFDM:SYMBOLs?
<b>Arguments</b>	ALL specifies that all symbols will be displayed. RANGE specifies that a range of symbols will be displayed. SINGLe specifies that single symbol will be displayed.
<b>Examples</b>	[SENSe]:OFDM:SYMBOLS ALL specifies that all symbols will be displayed in the OFDM views.

## [SENSe]:OFDM:SYMBOLs:MAX

Sets or queries the maximum number of symbols to analyze in the OFDM views.

<b>Conditions</b>	Measurement views: OFDM
<b>Group</b>	Sense commands
<b>Syntax</b>	[SENSe]:OFDM:SYMBOLs:MAX <value> [SENSe]:OFDM:SYMBOLs:MAX?
<b>Arguments</b>	<NR1>
<b>Examples</b>	[SENSe]:OFDM:SYMBOLS:MAX 50 specifies a maximum of 50 symbols to analyze in the OFDM views.

## [SENSe]:OFDM:SYMBOLs:MAX:STATe

Enables or disables the maximum number of symbols to analyze in the OFDM view.

**Conditions** Measurement views: OFDM

**Group** Sense commands

**Syntax** [SENSe]:OFDM:SYMBOLs:MAX:STATe { OFF | ON | 0 | 1 }  
[SENSe]:OFDM:SYMBOLs:MAX:STATe?

**Related Commands** [\[SENSe\]:OFDM:SYMBOLs:MAX](#)

**Arguments** OFF or 0 disables the maximum number of symbols to analyze.  
ON or 1 enables the maximum number of symbols to analyze.

**Examples** [SENSe]:OFDM:SYMBOLs:MAX:STATe ON enables the number of symbols to analyze in the OFDM view. The number is specified by the [\[SENSe\]:OFDM:SYMBOLs:MAX](#) command.

## [SENSe]:OFDM:SYMBOLs:RANGe:COUNT

Sets or queries the number of symbols to display in the OFDM view when displaying a range of symbols.

**Conditions** Measurement views: OFDM

**Group** Sense commands

**Syntax** [SENSe]:OFDM:SYMBOLs:RANGe:COUNT<value>  
[SENSe]:OFDM:SYMBOLs:RANGe:COUNT?

**Arguments** <NR1>

**Examples** [SENSe]:OFDM:SYMBOLs:RANGe:COUNT 25 sets the number of symbols to display to 25.

## [SENSe]:OFDM:SYMBOLs:RANGe:STARt

Sets or queries the symbols start range in the OFDM view when displaying a range of symbols.

<b>Conditions</b>	Measurement views: OFDM
<b>Group</b>	Sense commands
<b>Syntax</b>	[SENSe]:OFDM:SYMBOLs:RANGe:STARt <value> [SENSe]:OFDM:SYMBOLs:RANGe:STARt?
<b>Arguments</b>	<NR1>
<b>Examples</b>	[SENSe]:OFDM:SYMBOLs:RANGe:STARt 0 sets the start range to 0.

## [SENSe]:OFDM:SYMBOLs:SINGLe:INDEX

Sets or queries the symbol index in the OFDM view when displaying a single symbol.

<b>Conditions</b>	Measurement views: OFDM
<b>Group</b>	Sense commands
<b>Syntax</b>	[SENSe]:OFDM:SYMBOLs:SINGLe:INDEX <value> [SENSe]:OFDM:SYMBOLs:SINGLe:INDEX?
<b>Arguments</b>	<NR1>
<b>Examples</b>	[SENSe]:OFDM:SYMBOLs:SINGLe:INDEX 0 sets the index to 0.

## [SENSe]:OFDM:UNIT:FREQUency (No Query Form)

Specifies the frequency units for the OFDM measurement.

<b>Conditions</b>	Measurement views: OFDM
-------------------	-------------------------



---

<b>Group</b>	Sense commands
<b>Syntax</b>	<code>[SENSE]:OFDM:UNIT:FREQUENCY { FREQUENCY   SCARRIER }</code>
<b>Arguments</b>	FREQUENCY sets the frequency units to frequency. SCARRIER sets the frequency units to subcarriers.
<b>Examples</b>	<code>[SENSE]:OFDM:UNIT:FREQUENCY FREQ</code> sets the frequency units to frequency.

### **[SENSE]:OFDM:UNIT:TIME (No Query Form)**

Specifies the time units for the OFDM measurement.

<b>Conditions</b>	Measurement views: OFDM
<b>Group</b>	Sense commands
<b>Syntax</b>	<code>[SENSE]:OFDM:UNIT:TIME { SECONDS   SYMBOLS }</code>
<b>Arguments</b>	SECONDS sets the time units to seconds. SYMBOLS sets the time units to symbols.
<b>Examples</b>	<code>[SENSE]:OFDM:UNIT:TIME SEC</code> sets the time units to seconds.

### **[SENSE]:PHVTime:CLEAr:RESuLts (No Query Form)**

Restarts multi-trace functions (Average and Max/Min Hold).

<b>Conditions</b>	Measurement views: Phase versus Time
<b>Group</b>	Sense commands
<b>Syntax</b>	<code>[SENSE]:PHVTime:CLEAr:RESuLts</code>

**Arguments** None

**Examples** SENSE:PHVTIME:CLEAR:RESULTS restarts multi-trace functions.

## [SENSe]:PHVTime:FREQuency:CENTer

Sets or queries the center frequency in the Phase versus Time measurement.

---

**NOTE.** The center, start and stop frequencies are set interlocking each other with the following relationships:  $(start\ frequency) = (center\ frequency) - (span)/2$  and  $(stop\ frequency) = (center\ frequency) + (span)/2$ .

---

**Conditions** Measurement views: Phase versus Time

**Group** Sense commands

**Syntax** [SENSe]:PHVTime:FREQuency:CENTer <value>  
[SENSe]:PHVTime:FREQuency:CENTer?

**Related Commands** [\[SENSe\]:PHVTime:FREQuency:START](#), [\[SENSe\]:PHVTime:FREQuency:STOP](#)

**Arguments** <value> :: <NRF> specifies the center frequency.  
Range: 0 Hz to 6.2 GHz (RSA6106A) / 14 GHz (RSA6114A).

**Examples** SENSE:PHVTIME:FREQUENCY:CENTER 7.5GHZ sets the center frequency to 7.5 GHz.

## [SENSe]:PHVTime:FREQuency:SPAN

Sets or queries the frequency span in the Phase versus Time measurement.

**Conditions** Measurement views: Phase versus Time

**Group** Sense commands

**Syntax** [SENSe]:PHVTime:FREQuency:SPAN <value>  
[SENSe]:PHVTime:FREQuency:SPAN?

**Arguments** <value> :: <Nrf> is the frequency span.  
Range: 10 Hz to 40 MHz (Standard) / 110 MHz (Option 110)

**Examples** SENSE:PHVTIME:FREQUENCY:SPAN 20MHZ sets the span to 20 MHz.

## [SENSe]:PHVTime:FREQuency:STARt

Sets or queries the measurement start frequency (left edge on the graph) in the Phase versus Time measurement.

The center, start and stop frequencies are set interlocking each other. Refer to the [\[SENSe\]:PHVTime:FREQuency:CENTer](#) command.

**Conditions** Measurement views: Phase versus Time

**Group** Sense commands

**Syntax** [SENSe]:PHVTime:FREQuency:STARt <value>  
[SENSe]:PHVTime:FREQuency:STARt?

**Related Commands** [\[SENSe\]:PHVTime:FREQuency:STOP](#)

**Arguments** <value> :: <Nrf> is the measurement start frequency.  
Range: (center frequency)  $\pm$  (span)/2.

**Examples** SENSE:PHVTIME:FREQUENCY:START 6.95GHZ sets the start frequency to 6.95 GHz.

## [SENSe]:PHVTime:FREQuency:STEP

Sets or queries the frequency step size (the amount per press by which the up or down key changes the setting value). Programming a specified step size sets [SENSe]:PHVTime:FREQuency:STEP:AUTO OFF.

**Conditions** Measurement views: Phase versus Time

**Group** Sense commands

**Syntax** [SENSe]:PHVTime:FREQuency:STEP <value>  
[SENSe]:PHVTime:FREQuency:STEP?

**Related Commands** [\[SENSe\]:PHVTime:FREQuency:STEP:AUTO](#)

**Arguments** <value> :: <Nrf> specifies the frequency step size.  
Range: 0 Hz to 6.2 GHz (RSA6106A) / 14 GHz (RSA6114A).

**Examples** SENSE:PHVTIME:FREQUENCY:STEP 1.5kHz sets the step size to 1.5 kHz.

## [SENSe]:PHVTime:FREQuency:STEP:AUTO

Determines whether to set the frequency step size automatically or manually.

**Conditions** Measurement views: Phase versus Time

**Group** Sense commands

**Syntax** [SENSe]:PHVTime:FREQuency:STEP:AUTO { OFF | ON | 0 | 1 }  
[SENSe]:PHVTime:FREQuency:STEP:AUTO?

**Arguments** OFF or 0 specifies that the frequency step size is set manually using the [\[SENSe\]:PHVTime:FREQuency:STEP](#) command.

ON or 1 specifies that the frequency step size is set automatically.

**Examples** SENSE:PHVTIME:BANDWIDTH:AUTO ON sets the frequency step size automatically.

## [SENSe]:PHVTime:FREQuency:STOP

Sets or queries the measurement stop frequency (right edge of the graph) in the Phase versus Time measurement.

The center, start and stop frequencies are set interlocking each other. Refer to the [\[SENSe\]:PHVTime:FREQuency:CENTer](#) command.

**Conditions** Measurement views: Phase versus Time

<b>Group</b>	Sense commands
<b>Syntax</b>	[SENSE]:PHVTime:FREQUENCY:STOP <value> [SENSE]:PHVTime:FREQUENCY:STOP?
<b>Related Commands</b>	[SENSE]:PHVTime:FREQUENCY:START
<b>Arguments</b>	<value> :: <Nrf> is the measurement stop frequency. Range: (center frequency) ± (span)/2.
<b>Examples</b>	SENSE:PHVTIME:FREQUENCY:STOP 7.05GHZ sets the stop frequency to 7.05 GHz.

## [SENSE]:PHVTime:MAXTracepoints

Sets or queries the maximum trace points in the Phase versus Time measurement.

<b>Conditions</b>	Measurement views: Phase versus Time
<b>Group</b>	Sense commands
<b>Syntax</b>	[SENSE]:PHVTime:MAXTracepoints { ONEK   TENK   HUNDredk   NEVERdecimate } [SENSE]:PHVTime:MAXTracepoints?
<b>Arguments</b>	ONEK sets the maximum trace points to 1 k. TENK sets the maximum trace points to 10 k. HUNDredk sets the maximum trace points to 100 k. NEVERdecimate never decimates the trace points.
<b>Examples</b>	SENSE:PHVTIME:MAXTRACEPOINTS TENK sets the maximum trace points to 10 k.

## [SENSe]:PM:PHASe:OFFSet

Sets or queries the phase offset in the PM measurement.

<b>Conditions</b>	Measurement views: PM
<b>Group</b>	Sense commands
<b>Syntax</b>	[SENSe]:PM:PHASe:OFFSet <value> [SENSe]:PM:PHASe:OFFSet?
<b>Arguments</b>	<value> :: <NRf> specifies the phase offset. Range: -180 to +180 °.
<b>Examples</b>	SENSe:PM:PHASe:OFFSet 10deg sets the phase offset to 10 °.

## [SENSe]:PM:PHASe:OFFSet:MARKer (No Query Form)

Sets the phase offset from the selected marker location in the PM measurement.

<b>Conditions</b>	Measurement views: PM
<b>Group</b>	Sense commands
<b>Syntax</b>	[SENSe]:PM:PHASe:OFFSet:MARKer
<b>Arguments</b>	None.
<b>Examples</b>	SENSe:PM:PHASe:OFFSet:MARKer sets the phase offset from the selected Marker position.

## [SENSe]:PM:PHASe:SEARch:AUTO

Determines whether to detect the phase automatically or manually in the PM measurement.

<b>Conditions</b>	Measurement views: PM
-------------------	-----------------------

<b>Group</b>	Sense commands
<b>Syntax</b>	[SENSE]:PM:PHASE:SEARCH:AUTO { OFF   ON   0   1 } [SENSE]:PM:PHASE:SEARCH:AUTO?
<b>Arguments</b>	OFF or 0 specifies that the phase offset is set manually using the command <a href="#">[SENSE]:PM:PHASE:OFFSet</a> .  ON or 1 specifies that the phase is detected automatically.
<b>Examples</b>	SENSE:PM:PHASE:SEARCH:AUTO ON specifies that the phase is detected automatically.

## [SENSE]:PNOise:AVERage:COUNT

Sets or queries the number of traces to combine for averaging in the phase noise measurement. This command is effective when [\[SENSE\]:PNOise:AVERage:ENABle](#) is set to ON.

<b>Conditions</b>	Measurement views: Phase noise
<b>Group</b>	Sense commands
<b>Syntax</b>	[SENSE]:PNOise:AVERage:COUNT <number> [SENSE]:PNOise:AVERage:COUNT?
<b>Arguments</b>	<number> :: <NR1> specifies the average count. Range: 2 to 10000.
<b>Examples</b>	SENSE:PNOISE:AVERAGE:COUNT 64 sets the average count to 64.

## [SENSE]:PNOise:AVERage:ENABle

Determines whether to enable averaging trace in the phase noise measurement.

<b>Conditions</b>	Measurement views: Phase noise
<b>Group</b>	Sense commands

**Syntax** [SENSe]:PNOise:AVERAge:ENABle { OFF | ON | 0 | 1 }  
[SENSe]:PNOise:AVERAge:ENABle?

**Arguments** OFF disables averaging trace.  
ON enables averaging trace.

**Examples** SENSE:PNOISE:AVERAGE:ENABLE ON enables averaging trace.

## [SENSe]:PNOise:CARRier:FREQuency:TRACk

Determines whether to enable or disable tracking the carrier frequency in the phase noise measurement.

**Conditions** Measurement views: Phase noise

**Group** Sense commands

**Syntax** [SENSe]:PNOise:CARRier:FREQuency:TRACk { OFF | ON | 0 | 1 }  
[SENSe]:PNOise:CARRier:FREQuency:TRACk?

**Arguments** OFF or 0 disables tracking the carrier frequency.  
ON or 1 enables tracking the carrier frequency.

**Examples** SENSE:PNOISE:CARRIER:FREQUENCY:TRACK ON enables tracking the carrier frequency.

## [SENSe]:PNOise:CARRier:THReshold

Sets or queries the threshold level to detect the carrier in the phase noise measurement.

**Conditions** Measurement views: Phase noise

**Group** Sense commands

**Syntax** [SENSe]:PNOise:CARRier:THReshold <value>  
[SENSe]:PNOise:CARRier:THReshold?



**Arguments** <value> :: <Nrf> specifies the threshold level above which the input signal is determined to be a carrier. Range: -60 to 0 dBm.

**Examples** SENSE:PNOISE:CARRIER:THRESHOLD -25 sets the carrier threshold level to -25 dB.

## [SENSE]:PNOise:CLEar:RESuLts (No Query Form)

Restarts the average process, clearing average data and counter.

**Conditions** Measurement views: Phase noise

**Group** Sense commands

**Syntax** [SENSE]:PNOise:CLEar:RESuLts

**Arguments** None

**Examples** SENSE:PNOISE:CLEAR:RESULTS restarts the average process.

## [SENSE]:PNOise:FREQuency:INTEgration:OFFSet:STARt

Sets or queries the start offset frequency for integration in the phase noise measurement.

**Conditions** Measurement views: Phase noise

**Group** Sense commands

**Syntax** [SENSE]:PNOise:FREQuency:INTEgration:OFFSet:STARt <value>  
[SENSE]:PNOise:FREQuency:INTEgration:OFFSet:STARt?

**Arguments** <value> :: <Nrf> specifies the start offset frequency for integration. It must be less than the stop offset frequency.  
Range: 10 Hz to Stop Offset Frequency - 1 Hz.

**Examples**     `SENSE:PNOISE:FREQUENCY:INTEGRATION:OFFSET:START 100kHz` sets the start offset frequency for integration to 100 kHz.

## **[SENSe]:PNOise:FREQuency:INTegration:OFFSet:STOP**

Sets or queries the stop offset frequency for integration in the phase noise measurement.

**Conditions**     Measurement views: Phase noise

**Group**            Sense commands

**Syntax**          `[SENSe]:PNOise:FREQuency:INTegration:OFFSet:STOP <value>`  
`[SENSe]:PNOise:FREQuency:INTegration:OFFSet:STOP?`

**Arguments**      `<value> :: <Nrf>` specifies the stop offset frequency for integration. It must be greater than the start offset frequency.  
 Range: 11 Hz to 1 GHz.

**Examples**        `SENSE:PNOISE:FREQUENCY:INTEGRATION:OFFSET:STOP 100MHz` sets the stop offset frequency for integration to 100 MHz.

## **[SENSe]:PNOise:FREQuency:PLOT:OFFSet:START**

Sets or queries the start offset frequency for plotting the phase noise trace.

**Conditions**      Measurement views: Phase noise

**Group**            Sense commands

**Syntax**          `[SENSe]:PNOise:FREQuency:PLOT:OFFSet:START <value>`  
`[SENSe]:PNOise:FREQuency:PLOT:OFFSet:START?`

**Arguments**      `<value> :: <Nrf>` specifies the start offset frequency for the trace plot. It must be less than the stop offset frequency.  
 Range: 10 Hz to 100 MHz in a tenfold sequence.

**Examples**     `SENSE:PNOISE:FREQUENCY:PLOT:OFFSET:START 100kHz` sets the start offset frequency for plot to 100 kHz.

## [SENSe]:PNOise:FREQuency:PLOT:OFFSet:STOP

Sets or queries the stop offset frequency for plotting the phase noise trace.

**Conditions**     Measurement views: Phase noise

**Group**     Sense commands

**Syntax**     `[SENSe]:PNOise:FREQuency:PLOT:OFFSet:STOP <value>`  
`[SENSe]:PNOise:FREQuency:PLOT:OFFSet:STOP?`

**Arguments**     `<value> :: <NRf>` specifies the stop offset frequency for plot. It must be greater than the start offset frequency.  
 Range: 100 Hz to 1 GHz in a tenfold sequence.

**Examples**     `SENSE:PNOISE:FREQUENCY:PLOT:OFFSET:STOP 100MHz` sets the stop offset frequency for plot to 100 MHz.

## [SENSe]:PNOise:OPTimization

Sets or queries the method of optimizing the gain and input bandwidth in the phase noise measurement.

**Conditions**     Measurement views: Phase noise

**Group**     Sense commands

**Syntax**     `[SENSe]:PNOise:OPTimization { DRANGE | SPEEd }`  
`[SENSe]:PNOise:OPTimization?`

**Arguments**     `DRANGE` optimizes the gain and input bandwidth to maximize the dynamic range.  
`SPEEd` optimizes the gain and input bandwidth to speed the measurement.

**Examples** SENSE:PNOISE:OPTIMIZATION DRANGE optimizes the gain and input bandwidth to maximize the dynamic range.

## [SENSE]:POWER:UNITs

Sets or queries the fundamental unit of power.

**Conditions** Measurement views: All

**Group** Sense commands

**Syntax** [SENSE]:POWER:UNITs { DBM | DBV | VOLTS | WATTS | DBUW | DBW | DBUV | DBMV | DBUA | DBUV\_M | DBUA\_M | AMPS }  
[SENSE]:POWER:UNITs?

**Arguments** The following table lists the arguments.

**Table 2-43: Power units**

Argument	Power unit
DBM	dBm
DBV	dBV
VOLTS	Volts
WATTS	Watts
DBUW	dB $\mu$ W
DBW	dBW
DBUV	dB $\mu$ V
DBMV	dBmV
DBUA	dB $\mu$ A
DBUV_M	dB $\mu$ V/m
DBUA_M	dB $\mu$ A/m
AMPS	Amps

---

**NOTE.** Select dB $\mu$ V/m or dB $\mu$ A/m unit when using an antenna table.

---

**Examples** SENSE:POWER:UNITs DBM specifies the fundamental unit of power as dBm.

## [SENSe]:PULSe:ANALyze:FDOMain:MEASurement:TIME:ALENght

Sets or queries the absolute amount of time included in the Frequency-Domain Linearity type measurements.

<b>Conditions</b>	Measurement views: Pulse statistics, Pulse table, Pulse trace
<b>Group</b>	Sense commands
<b>Syntax</b>	[SENSe]:PULSe:ANALyze:FDOMain:MEASurement:TIME:ALENght <value> [SENSe]:PULSe:ANALyze:FDOMain:MEASurement:TIME:ALENght?
<b>Arguments</b>	<value> :: <Nrf> specifies the absolute time in seconds for the measurement time.  Range: 1 ns to 100 seconds
<b>Examples</b>	[SENSe]:PULSe:ANALyze:FDOMain:MEASurement:TIME:ALENght 1E-6 sets the measurement time to 1 $\mu$ s.

## [SENSe]:PULSe:ANALyze:FDOMain:MEASurement:TIME:METHOD

Sets or queries the measurement time method for the Frequency-Domain Linearity type measurements.

<b>Conditions</b>	Measurement views: Pulse statistics, Pulse table, Pulse trace
<b>Group</b>	Sense commands
<b>Syntax</b>	[SENSe]:PULSe:ANALyze:FDOMain:MEASurement:TIME:METHOD { ABSolute   RELative } [SENSe]:PULSe:ANALyze:FDOMain:MEASurement:TIME:METHOD?
<b>Arguments</b>	ABSolute specifies the absolute time in seconds based on rising edge of the pulse.  RELative specifies the relative time in percent based on the pulse width and the center of the pulse.

**Examples** [SENSE]:PULSE:ANALYZE:FDOMAIN:MEASUREMENT:TIME:METHOD REL sets the time method to Relative.

## [SENSe]:PULSe:ANALyze:FDOMain:MEASurement:TIME:RLENgth

Sets or queries the relative amount of time included in the Frequency-Domain Linearity type measurements.

**Conditions** Measurement views: Pulse statistics, Pulse table, Pulse trace

**Group** Sense commands

**Syntax** [SENSe]:PULSe:ANALyze:FDOMain:MEASurement:TIME:RLENgth  
<value>  
[SENSe]:PULSe:ANALyze:FDOMain:MEASurement:TIME:RLENgth?

**Arguments** <value> :: <Nrf> specifies the relative time in percent for the measurement time based on the pulse width and centered of the pulse.

Range: 10% to 100%

**Examples** [SENSE]:PULSE:ANALYZE:FDOMAIN:MEASUREMENT:TIME:RLENGTH 70 sets the measurement time to 70% of the pulse width.

## [SENSe]:PULSe:ANALyze:FDOMain:MEASurement:TIME:RLEVel

Sets or queries the measurement reference level for Frequency-Domain Linearity measurements.

**Conditions** Measurement views: Pulse statistics, Pulse table, Pulse trace

**Group** Sense commands

**Syntax** [SENSe]:PULSe:ANALyze:FDOMain:MEASurement:TIME:RLEVel  
<value>  
[SENSe]:PULSe:ANALyze:FDOMain:MEASurement:TIME:RLEVel?

**Arguments** <value> :: <Nrf> specifies the reference level in percentage as the location on the voltage straight-line approximation of the pulse rising edge.

Range: 50% to 100%

**Examples** [SENSE]:PULSE:ANALYZE:FDOMAIN:MEASUREMENT:TIME:RLEVEL 60 sets the reference level to 60% of the rising edge.

## [SENSe]:PULSe:ANALyze:FDOMain:MEASurement:TIME:STARt

Sets or queries the start time for the Frequency-Domain Linearity type measurements. The start time is the amount of time wait after the rising-edge reference before starting to measure.

**Conditions** Measurement views: Pulse statistics, Pulse table, Pulse trace

**Group** Sense commands

**Syntax** [SENSe]:PULSe:ANALyze:FDOMain:MEASurement:TIME:STARt <value>  
[SENSe]:PULSe:ANALyze:FDOMain:MEASurement:TIME:STARt?

**Arguments** <value> :: <Nrf> specifies the start time in seconds from the reference level of the rising edge of the pulse.

Range: -100 ms to 100 ms

**Examples** [SENSE]:PULSE:ANALYZE:FDOMAIN:MEASUREMENT:TIME:START 1E-6 sets the start time to 1  $\mu$ s.

## [SENSe]:PULSe:ANALyze:IRESponse:CORRection:AMPLitude[:STATe]

Enables or disables the corrections for window and for delay of the highest side lobe in the Pulse Impulse Response measurements.

**Conditions** Measurement views: Pulse statistics, Pulse table, Pulse trace

**Group** Sense commands

**Syntax** [SENSe]:PULSe:ANALyze:IRESponse:CORRection:AMPLitude[:STATe]  
{ OFF | ON | 0 | 1 }  
[SENSe]:PULSe:ANALyze:IRESponse:CORRection:AMPLitude[:  
STATe]?

**Arguments** OFF or 0 disables amplitude correction in Impulse Response measurements.  
ON or 1 enables amplitude correction in Impulse Response measurements.

**Examples** [SENSE]:PULSE:ANALYZE:IRESPONSE:CORRECTION:AMPLITUDE[:STATE]  
1 enables amplitude correction.

## [SENSe]:PULSe:ANALyze:IRESpOse:KOTime

Sets or queries the Keep-out time in the Pulse Impulse Response measurements. This specifies the width of time around the main lobe that lobes within this time zone are not eligible to be the “highest side lobe.”

**Conditions** Measurement views: Pulse statistics, Pulse table, Pulse trace

**Group** Sense commands

**Syntax** [SENSe]:PULSe:ANALyze:IRESpOse:KOTime <value>  
[SENSe]:PULSe:ANALyze:IRESpOse:KOTime?

**Arguments** <value> :: <NRf> specifies the Keep-out time in seconds.  
Range: 0 to 100 seconds.

**Examples** [SENSE]:PULSE:ANALYZE:IRESPONSE:KOTIME 0.001 sets the keep-out time to 1 ms.

## [SENSe]:PULSe:ANALyze:IRESpOse:MEASurement:TIME:ALENgtH

Sets or queries the absolute amount of time included in the Impulse Response type measurements.

**Conditions** Measurement views: Pulse statistics, Pulse table, Pulse trace

**Group** Sense commands

**Syntax** [SENSe]:PULSe:ANALyze:IRESpOse:MEASurement:TIME:ALENgtH  
<value>  
[SENSe]:PULSe:ANALyze:IRESpOse:MEASurement:TIME:ALENgtH?



**Arguments** <value> :: <Nrf> specifies the absolute time in seconds for the measurement time.

Range: 1 ns to 100 seconds.

**Examples** [SENSE]:PULSE:ANALYZE:IRESPONSE:MEASUREMENT:TIME:ALENGTH 1E-6 sets the measurement time to 1  $\mu$ s.

## [SENSe]:PULSe:ANALyze:IRESpOse:MEASurement:TIME:METhod

Sets or queries the measurement time method for the Impulse Response type measurements.

**Conditions** Measurement views: Pulse statistics, Pulse table, Pulse trace

**Group** Sense commands

**Syntax** [SENSe]:PULSe:ANALyze:IRESpOse:MEASurement:TIME:METhod { ABSolute | RELative }  
[SENSe]:PULSe:ANALyze:IRESpOse:MEASurement:TIME:METhod?

**Arguments** ABSolute specifies the absolute time in seconds based on rising edge of the pulse.  
RELative specifies the relative time in percent based on the pulse width and the center of the pulse.

**Examples** [SENSE]:PULSE:ANALYZE:IRESPONSE:MEASUREMENT:TIME:METHOD REL sets the time method to Relative.

## [SENSe]:PULSe:ANALyze:IRESpOse:MEASurement:TIME:RELEngth

Sets or queries the relative amount of time included in the Impulse Response type measurements.

**Conditions** Measurement views: Pulse statistics, Pulse table, Pulse trace

**Group** Sense commands

**Syntax** [SENSe]:PULSe:ANALyze:IRESpOse:MEASurement:TIME:RELEngth <value>

[SENSe]:PULSe:ANALyze:IRESpOse:MEASurement:TIME:RLENGth?

- Arguments** <value> :: <NRf> specifies the relative time in percent for the measurement time based on the pulse width and centered of the pulse.  
Range: 10% to 100%.
- Examples** [SENSe]:PULSe:ANALyze:IRESpOse:MEASurement:TIME:RLENGth 70  
sets the measurement time to 70% of the pulse width.

## [SENSe]:PULSe:ANALyze:IRESpOse:MEASurement:TIME:RLEVel

Sets or queries the measurement reference level for Impulse Response measurements.

- Conditions** Measurement views: Pulse statistics, Pulse table, Pulse trace
- Group** Sense commands
- Syntax** [SENSe]:PULSe:ANALyze:IRESpOse:MEASurement:TIME:RLEVel  
<value>  
[SENSe]:PULSe:ANALyze:IRESpOse:MEASurement:TIME:RLEVel?
- Arguments** <value> :: <NRf> specifies the reference level in percentage as the location on the voltage straight-line approximation of the pulse rising edge.  
Range: 50% to 100%.
- Examples** [SENSe]:PULSe:ANALyze:IRESpOse:MEASurement:TIME:RLEVel 60  
sets the reference level to 60% of the rising edge.

## [SENSe]:PULSe:ANALyze:IRESpOse:MEASurement:TIME:STARt

Sets or queries the start time for the Impulse Response type measurements. The start time is the amount of time wait after the rising-edge reference before starting to measure.

- Conditions** Measurement views: Pulse statistics, Pulse table, Pulse trace
- Group** Sense commands

<b>Syntax</b>	<code>[SENSe]:PULSe:ANALyze:IRESpOse:MEASurement:TIME:START</code> <code>&lt;value&gt;</code> <code>[SENSe]:PULSe:ANALyze:IRESpOse:MEASurement:TIME:START?</code>
<b>Arguments</b>	<code>&lt;value&gt;</code> :: <code>&lt;Nrf&gt;</code> specifies the start time in seconds from the reference level of the rising edge of the pulse.  Range: -100 ms to 100 ms.
<b>Examples</b>	<code>[SENSe]:PULSe:ANALyze:IRESpOse:MEASurement:TIME:START 1E-6</code> sets the start time to 1 $\mu$ s.

## [SENSe]:PULSe:ANALyze:LEVel

Sets or queries how to determine the 50% level for the pulsed RF measurements.

<b>Conditions</b>	Measurement views: Pulse statistics, Pulse table, Pulse trace
<b>Group</b>	Sense commands
<b>Syntax</b>	<code>[SENSe]:PULSe:ANALyze:LEVel { VOLTage   POWer }</code> <code>[SENSe]:PULSe:ANALyze:LEVel?</code>
<b>Arguments</b>	<code>VOLTage</code> uses -6 dB to determine the 50% level.  <code>POWer</code> uses -3 dB to determine the 50% level.
<b>Examples</b>	<code>SENSe:PULSe:ANALyze:LEVel POWer</code> sets RF measurements to use -3 dB to determine the 50% level.

## [SENSe]:PULSe:ANALyze:LEVel:FIFTy

Sets or queries how to determine the 50% level for the pulsed RF measurements. This command is equivalent to the [\[SENSe\]:PULSe:ANALyze:LEVel](#) command.

<b>Conditions</b>	Measurement views: Pulse statistics, Pulse table, Pulse trace
<b>Group</b>	Sense commands

**Syntax** [SENSE]:PULSE:ANALYZE:LEVEL:FIFTY { VOLTage | POWER }  
[SENSE]:PULSE:ANALYZE:LEVEL:FIFTY?

**Arguments** VOLTage uses -6 dB to determine the 50% level.  
POWER uses -3 dB to determine the 50% level.

**Examples** SENSE:PULSE:ANALYZE:LEVEL:FIFTY POWER sets RF measurements to use -3 dB to determine the 50% level.

## [SENSE]:PULSE:ANALYZE:LEVEL:HUNDred

Sets or queries how to determine the 100% level in the pulsed RF measurements. This command is equivalent to the [SENSE]:PULSE:ANALYZE:POINT:LOCATION command.

**Conditions** Measurement views: Pulse statistics, Pulse table, Pulse trace

**Group** Sense commands

**Syntax** [SENSE]:PULSE:ANALYZE:LEVEL:HUNDred { AVERAGE | INDEPENDent }  
[SENSE]:PULSE:ANALYZE:LEVEL:HUNDred?

### Related Commands

**Arguments** AVERAGE uses the average amplitude calculated for the pulse-on as the 100% reference to measure the rise and fall times.  
INDEPENDent uses the amplitudes at the beginning and end of the pulse-on as the 100% references to measure the rise and fall times, respectively

**Examples** SENSE:PULSE:ANALYZE:LEVEL:HUNDRED AVERAGE uses pulse average amplitude to set the 100% level.

## [SENSE]:PULSE:ANALYZE:OVERshoot:MEASurement:TIME:ALENght

Sets or queries the absolute amount of time included in the Overshoot measurements.

**Conditions** Measurement views: Pulse statistics, Pulse table, Pulse trace

<b>Group</b>	Sense commands
<b>Syntax</b>	[SENSe]:PULSe:ANALyze:OVERshoot:MEASurement:TIME:ALENght <value> [SENSe]:PULSe:ANALyze:OVERshoot:MEASurement:TIME:ALENght?
<b>Arguments</b>	<value> :: <Nrf> specifies the absolute time in seconds for the measurement time.  Range: 1 ns to 100 seconds
<b>Examples</b>	[SENSe]:PULSe:ANALyze:OVERshoot:MEASurement:TIME:ALENght 1E-6 sets the measurement time to 1 $\mu$ s.

## [SENSe]:PULSe:ANALyze:OVERshoot:MEASurement:TIME:MEthod

Sets or queries the measurement time method for the Overshoot measurements.

<b>Conditions</b>	Measurement views: Pulse statistics, Pulse table, Pulse trace
<b>Group</b>	Sense commands
<b>Syntax</b>	[SENSe]:PULSe:ANALyze:OVERshoot:MEASurement:TIME:MEthod { ABSolute   RELative } [SENSe]:PULSe:ANALyze:OVERshoot:MEASurement:TIME:MEthod?
<b>Arguments</b>	ABSolute specifies the absolute time in seconds based on rising edge of the pulse.  RELative specifies the relative time in percent based on the pulse width and the center of the pulse.
<b>Examples</b>	[SENSe]:PULSe:ANALyze:OVERshoot:MEASurement:TIME:MEthod REL sets Overshoot measurements to use the relative time method.

## [SENSe]:PULSe:ANALyze:OVERshoot:MEASurement:TIME:RELENght

Sets or queries the relative amount of time included in the Overshoot measurements.

<b>Conditions</b>	Measurement views: Pulse statistics, Pulse table, Pulse trace
-------------------	---

<b>Group</b>	Sense commands
<b>Syntax</b>	[SENSe]:PULSe:ANALyze:OVERshoot:MEASurement:TIME:RLENGth <value> [SENSe]:PULSe:ANALyze:OVERshoot:MEASurement:TIME:RLENGth?
<b>Arguments</b>	<value> :: <NRf> specifies the relative time in percent for the measurement time based on the pulse width and centered of the pulse.  Range: 0.01% to 100%.
<b>Examples</b>	[SENSe]:PULSe:ANALyze:OVERshoot:MEASurement:TIME:RLENGth 70 sets the measurement time to 70% of the pulse width.

## [SENSe]:PULSe:ANALyze:OVERshoot:MEASurement:TIME:RLEVel

Sets or queries the measurement reference level for the Overshoot measurements.

<b>Conditions</b>	Measurement views: Pulse statistics, Pulse table, Pulse trace
<b>Group</b>	Sense commands
<b>Syntax</b>	[SENSe]:PULSe:ANALyze:OVERshoot:MEASurement:TIME:RLEVel <value> [SENSe]:PULSe:ANALyze:OVERshoot:MEASurement:TIME:RLEVel?
<b>Arguments</b>	<value> :: <NRf> specifies the reference level in percentage as the location on the voltage straight-line approximation of the pulse rising edge.  Range: 50% to 100%.
<b>Examples</b>	[SENSe]:PULSe:ANALyze:OVERshoot:MEASurement:TIME:RLEVel 60 sets the reference level to 60% of the rising edge.

## [SENSe]:PULSe:ANALyze:OVERshoot:MEASurement:TIME:START

Sets or queries the start time for the Overshoot measurements. The start time is the amount of time wait after the rising-edge reference before starting to measure.

<b>Conditions</b>	Measurement views: Pulse statistics, Pulse table, Pulse trace
-------------------	---

<b>Group</b>	Sense commands
<b>Syntax</b>	[SENSe]:PULSe:ANALyze:OVERshoot:MEASurement:TIME:START <value> [SENSe]:PULSe:ANALyze:OVERshoot:MEASurement:TIME:START?
<b>Arguments</b>	<value> :: <Nrf> specifies the start time in seconds from the reference level of the rising edge of the pulse.  Range: -100 ms to 100 ms.
<b>Examples</b>	[SENSe]:PULSe:ANALyze:OVERSHOOT:MEASUREMENT:TIME:START 1E-6 sets the start time to 1 $\mu$ s.

## [SENSe]:PULSe:ANALyze:PMLocation

Sets or queries the phase measurement location (the position along the pulse tops where the phase is measured) in the pulse-pulse phase measurement.

<b>Conditions</b>	Measurement views: Pulse statistics, Pulse table, Pulse trace
<b>Group</b>	Sense commands
<b>Syntax</b>	[SENSe]:PULSe:ANALyze:PMLocation <value> [SENSe]:PULSe:ANALyze:PMLocation?
<b>Arguments</b>	<value> :: <Nrf> specifies the pulse-pulse phase measurement location. Range: 5 ns to 100 ms.
<b>Examples</b>	SENSe:PULSe:ANALyze:PMLOCATION 1.5ms sets the phase measurement location to 1.5 ms.

## [SENSe]:PULSe:ANALyze:POINT:LOCation

Sets or queries the point location method in the pulsed RF measurements.

<b>Conditions</b>	Measurement views: Pulse statistics, Pulse table, Pulse trace
<b>Group</b>	Sense commands

**Syntax** [SENSe]:PULSe:ANALyze:POINt:LOCation { AVERAge | INDePendent }  
[SENSe]:PULSe:ANALyze:POINt:LOCation?

**Arguments** AVERAge uses the average amplitude calculated for the pulse-on as the 100% reference to measure the rise and fall times.  
INDePendent uses the amplitudes at the beginning and end of the pulse-on as the 100% references to measure the rise and fall times, respectively.

**Examples** SENSE:PULSE:ANALYZE:POINT:LOCATION AVERAge uses pulse average amplitude to locate points.

## [SENSe]:PULSe:ANALyze:RFALI

Sets or queries the threshold levels to measure the rise/fall time.

**Conditions** Measurement views: Pulse statistics, Pulse table, Pulse trace

**Group** Sense commands

**Syntax** [SENSe]:PULSe:ANALyze:RFAL1 { WIDE | NARROW }  
[SENSe]:PULSe:ANALyze:RFAL1?

**Arguments** WIDE selects 10 - 90% to measure the rise/fall time.  
NARROW selects 20 - 80% to measure the rise/fall time.

**Examples** SENSE:PULSE:ANALYZE:RFALL WIDE selects 10 - 90% to measure the rise/fall time.

## [SENSe]:PULSe:ANALyze:RIPPlE

Sets or queries the ripple portion of the pulse top (how much of the beginning and end of the pulse top to exclude from the ripple calculation).

**Conditions** Measurement views: Pulse statistics, Pulse table, Pulse trace

**Group** Sense commands



---

<b>Syntax</b>	<code>[SENSE]:PULSE:ANALyze:RIPPlE &lt;value&gt;</code> <code>[SENSE]:PULSE:ANALyze:RIPPlE?</code>
<b>Arguments</b>	<code>&lt;value&gt;</code> :: <code>&lt;NRf&gt;</code> specifies the ripple portion of the pulse top. Range: 10 to 100% in 1% steps.
<b>Examples</b>	<code>SENSE:PULSE:ANALYZE:RIPPLE 30</code> sets the ripple portion to 30% of the pulse top.

## `[SENSE]:PULSE:CARRIER:FREQUENCY? (Query Only)`

Queries the carrier frequency.

<b>Conditions</b>	Measurement views: Pulse table
<b>Group</b>	Sense commands
<b>Syntax</b>	<code>[SENSE]:PULSE:CARRIER:FREQUENCY?</code>
<b>Related Commands</b>	<a href="#">[SENSE]:PULSE:CARRIER:OFFSET</a>
<b>Arguments</b>	None
<b>Returns</b>	<code>&lt;NRf&gt;</code> indicates the actual carrier frequency in Hz.
<b>Examples</b>	<code>SENSE:PULSE:CARRIER:FREQUENCY?</code> might return <code>2.7000001690E+9</code> , indicating that the pulse carrier frequency is 2.700000169 GHz.

## `[SENSE]:PULSE:CARRIER:OFFSET`

Sets or queries the carrier frequency offset.

<b>Conditions</b>	Measurement views: Pulse statistics, Pulse table, Pulse trace
<b>Group</b>	Sense commands

**Syntax** [SENSe]:PULSe:CARRier:OFFSet <value>  
[SENSe]:PULSe:CARRier:OFFSet?

**Related Commands** [\[SENSe\]:PULSe:CARRier:SEARCh](#)

**Arguments** <value> :: <Nrf> specifies the carrier frequency offset.  
Range: -50 kHz to +50 kHz.

**Examples** SENSE:PULSE:CARRIER:OFFSET 2.5kHz sets the offset frequency to 2.5 kHz to the carrier.

## [SENSe]:PULSe:CARRier:SEARCh

Sets or queries how to detect the carrier in the pulsed RF measurements.

**Conditions** Measurement views: Pulse statistics, Pulse table, Pulse trace

**Group** Sense commands

**Syntax** [SENSe]:PULSe:CARRier:SEARCh { AUTO | MANuaL }  
[SENSe]:PULSe:CARRier:SEARCh?

**Arguments** AUTO specifies that the carrier is detected automatically.  
MANuaL specifies that the carrier frequency offset is set manually, using the [\[SENSe\]:PULSe:CARRier:OFFSet](#) command.

**Examples** SENSE:PULSE:CARRIER:SEARCH AUTO specifies that the carrier is detected automatically.

## [SENSe]:PULSe:DETEct:MEASurement

Determines whether or not to set the maximum number of pulses to measure within the analysis time.

**Conditions** Measurement views: Pulse statistics, Pulse table, Pulse trace

**Group** Sense commands

<b>Syntax</b>	<code>[SENSe]:PULSe:DETEct:MEASurement { OFF   ON   0   1 }</code> <code>[SENSe]:PULSe:DETEct:MEASurement?</code>
<b>Arguments</b>	OFF or 0 measures all pulses (max. 1000) in the analysis time.  ON or 1 specifies that the maximum number of pulses is set manually, using the <code>[SENSe]:PULSe:DETEct:NUMBer</code> command.
<b>Examples</b>	<code>SENSe:PULSe:DETEct:MEASUREMENT ON</code> specifies that the maximum number of pulses is set manually.

## `[SENSe]:PULSe:DETEct:NUMBer`

Sets or queries the maximum number of pulses to measure within the analysis time when `[SENSe]:PULSe:DETEct:MEASurement` is On.

<b>Conditions</b>	Measurement views: Pulse statistics, Pulse table, Pulse trace
<b>Group</b>	Sense commands
<b>Syntax</b>	<code>[SENSe]:PULSe:DETEct:NUMBer &lt;value&gt;</code> <code>[SENSe]:PULSe:DETEct:NUMBer?</code>
<b>Arguments</b>	<code>&lt;value&gt; :: &lt;Nrf&gt;</code> specifies the maximum number of pulses to measure within the analysis time. Range: 1 to 1000.  If the analysis time contains fewer pulses than this number, all of these are measured.
<b>Examples</b>	<code>SENSe:PULSe:DETEct:NUMBer 850</code> sets the maximum number of pulses to 850.

## `[SENSe]:PULSe:DETEct:POWER[:THReshold]`

Sets or queries the power threshold to detect pulses.

<b>Conditions</b>	Measurement views: Pulse statistics, Pulse table, Pulse trace
<b>Group</b>	Sense commands

**Syntax** [SENSe]:PULSe:DETECT:POWER[:THRESHOLD] <value>  
[SENSe]:PULSe:DETECT:POWER[:THRESHOLD]?

**Arguments** <value> :: <NRF> specifies the power threshold to detect pulses.  
Range: -70 to 0 dB.

**Examples** SENSE:PULSE:DETECT:POWER:THRESHOLD -20 sets the power threshold to -20 dB.

## [SENSe]:PULSe:DETECT:TIME[:THRESHOLD]

Sets or queries the minimum off-time between pulses.

**Conditions** Measurement views: Pulse statistics, Pulse table, Pulse trace

**Group** Sense commands

**Syntax** [SENSe]:PULSe:DETECT:TIME[:THRESHOLD] <value>  
[SENSe]:PULSe:DETECT:TIME[:THRESHOLD]?

**Arguments** <value> :: <NRF> specifies the minimum off-time between pulses.  
Range: 1 ns to 100 ms.

**Examples** SENSE:PULSE:DETECT:TIME:THRESHOLD 1.5ms sets the time threshold to 1.5 ms.

## [SENSe]:PULSe:FILTer:{BANDwidth|BWIDth}

Sets or queries the filter or acquisition bandwidth when [SENSe]:PULSe:FILTer:MEASurement is set to GAUSSian or NONE (No filter), respectively.

**Conditions** Measurement views: Pulse statistics, Pulse table, Pulse trace

**Group** Sense commands

**Syntax** [SENSe]:PULSe:FILTer:{BANDwidth|BWIDth} <value>  
[SENSe]:PULSe:FILTer:{BANDwidth|BWIDth}?

**Related Commands** [\[SENSe\]:PULSe:FILTer:MEASurement](#)

**Arguments** `<value> :: <Nrf>` specifies the filter/acquisition bandwidth depending the [SENSe]:PULSe:FILTer:MEASurement setting. The table below shows the setting range. You can enter any value, but it is rounded up to the next valid number.

[SENSe]:PULSe:FILTer:MEASurement	Range
GAUSSian	100 Hz to 20 MHz (Standard) / 100 Hz to 55 MHz (Option 110) in 1-2-3-5 sequence.
NONE	152, 305, 610, 1.22 k, 2.44 k, 4.88 k, 9.76 k, 19.3 k, 39 k, 78 k, 156 k, 312 k, 625 k, 1.25 M, 2.5 M, 5 M, 10 M, 20 M, 40 MHz, and optionally 60 M and 110 MHz (Option 110).

**Examples** `SENSE:PULSE:FILTER:BANDWIDTH 10MHZ` sets the filter bandwidth to 10 MHz.

## [SENSe]:PULSe:FILTer:MEASurement

Sets or queries the measurement filter in the pulsed RF measurements.

**Conditions** Measurement views: Pulse statistics, Pulse table, Pulse trace

**Group** Sense commands

**Syntax** `[SENSe]:PULSe:FILTer:MEASurement { GAUSSian | NONE | MAXRtbw }`  
`[SENSe]:PULSe:FILTer:MEASurement?`

**Related Commands** [\[SENSe\]:PULSe:FILTer:{BANDwidth|BWIDTH}](#)

**Arguments** `GAUSSian` uses the Gaussian filter in the pulsed RF measurements. Use the `[SENSe]:PULSe:FILTer:{BANDwidth|BWIDTH}` command to set the filter bandwidth.

`NONE` uses no filter. Use the `[SENSe]:PULSe:FILTer:{BANDwidth|BWIDTH}` command to set the acquisition bandwidth.

`MAXRtbw` uses no filter. The acquisition bandwidth is fixed to the maximum real-time bandwidth: 40 MHz (Standard) or 110 MHz (Option 110).

**Examples**     `SENSE:PULSE:FILTER:MEASUREMENT GAUSSian` uses the Gaussian filter in the pulsed RF measurements.

## **[SENSe]:PULSe:FREFerence:AUTO**

Determines whether to estimate the pulse frequency reference automatically or manually in the pulsed RF measurements.

**Conditions**     Measurement views: Pulse statistics, Pulse table, Pulse trace

**Group**            Sense commands

**Syntax**           `[SENSe]:PULSe:FREFerence:AUTO { OFF | ON | 0 | 1 }`  
`[SENSe]:PULSe:FREFerence:AUTO?`

**Arguments**     OFF or 0 estimates the frequency reference manually. Use the [\[SENSe\]:PULSe:FREFerence:OFFSet](#) command to set the frequency offset.  
 ON or 1 estimates the frequency reference automatically.

**Examples**     `SENSE:PULSE:FREFERENCE:AUTO ON` specifies that the frequency reference is estimated automatically.

## **[SENSe]:PULSe:FREFerence:CSLope**

Sets or queries the Chirp Slope.

Chirp Slope is used when the Modulation Type is set to Linear Chirp. When set, this also changes the Chirp Slope to manual mode. When chirp slope is in auto mode, the query returns the estimated chirp slope.

**Conditions**     Measurement views: Pulse statistics, Pulse table, Pulse trace

**Group**            Sense commands

**Syntax**           `[SENSe]:PULSe:FREFerence:CSLope <value>`  
`[SENSe]:PULSe:FREFerence:CSLope?`

**Arguments** <value>:=NRf specifies the chirp slope in Hz/μs.  
Range: -100 GHz/μs to 100 GHz/μs.

**Examples** [SENSE]:PULSE:FREFERENCE:CSLOPE 1E6 sets the chirp slope to 1 MHz/μs.

## [SENSE]:PULSE:FREFERENCE:CSLOPE:AUTO

Sets or queries enabling automatic Chirp Slope estimating in the pulsed RF measurements.

**Conditions** Measurement views: Pulse statistics, Pulse table, Pulse trace

**Group** Sense commands

**Syntax** [SENSE]:PULSE:FREFERENCE:CSLOPE:AUTO { OFF | ON | 0 | 1 }  
[SENSE]:PULSE:FREFERENCE:CSLOPE:AUTO?

**Arguments** OFF or 0 estimates the chirp slope manually. Use the [SENSE]:PULSE:FREFERENCE:CSLOPE command to set the chirp slope.  
ON or 1 estimates the chirp slope automatically.

**Examples** [SENSE]:PULSE:FREFERENCE:CSLOPE:AUTO 1 sets the chirp slope to auto mode.

## [SENSE]:PULSE:FREFERENCE:OFFSET

Sets or queries the frequency reference offset. This command is valid when [SENSE]:PULSE:FREFERENCE:AUTO is set to OFF.

**Conditions** Measurement views: Pulse statistics, Pulse table, Pulse trace

**Group** Sense commands

**Syntax** [SENSE]:PULSE:FREFERENCE:OFFSET <value>  
[SENSE]:PULSE:FREFERENCE:OFFSET?

- Arguments** <value> :: <Nrf> specifies the frequency reference offset.  
Range: -50 kHz to +50 kHz.
- Examples** SENSE:PULSE:FREFERENCE:OFFSET 2.5kHz sets the frequency offset to 2.5 kHz to the reference.

## [SENSe]:PULSe:MODulation:TYPE

Sets or queries the modulation type in the pulsed RF measurements. This command is equivalent to the [SENSe]:REANalyze:NEXT command.

- Conditions** Measurement views: Pulse statistics, Pulse table, Pulse trace
- Group** Sense commands
- Syntax** [SENSe]:PULSe:MODulation:TYPE { CWConst | CWChange | LChirp | OTHER }  
[SENSe]:PULSe:MODulation:TYPE?
- Arguments** CWConst selects the CW (continuous wave) with constant phase.  
CWChange selects the CW (continuous wave) with changing phase.  
LChirp selects the linear chirp.  
OTHER selects other.
- Examples** SENSE:PULSE:MODULATION:TYPE CWChange selects the CW with changing phase as the modulation type.

## [SENSe]:PULSe:SIGNal:TYPE

Sets or queries the signal type in the pulsed RF measurements.

- Conditions** Measurement views: Pulse statistics, Pulse table, Pulse trace
- Group** Sense commands
- Syntax** [SENSe]:PULSe:SIGNal:TYPE { CWConst | CWChange | LChirp | OTHER }



[SENSE]:PULSE:SIGNAL:TYPE?

- Arguments** CWConst selects CW (continuous wave) with constant phase.  
 CWChange selects CW (continuous wave) with changing phase.  
 LChirp selects linear chirp.  
 OTHER selects other.
- Examples** SENSE:PULSE:SIGNAL:TYPE CWChange selects the CW with changing phase as the signal type.

## [SENSE]:PULSE:STATISTICS:HISTOGRAM:ORDINATE

Sets or queries the Histogram Y unit. This command is valid when [DISPLAY:PULSE:STATISTICS:PLOT](#) is set to Histogram.

- Conditions** Measurement views: Pulse statistics
- Group** Sense commands
- Syntax** [SENSE]:PULSE:STATISTICS:HISTOGRAM:ORDINATE { PERCENT | COUNT }  
 [SENSE]:PULSE:STATISTICS:HISTOGRAM:ORDINATE?
- Arguments** PERCENT sets the Histogram plot Y axis to the percentage of points.  
 COUNT sets the Histogram plot Y axis to the number of points in the bin.
- Examples** [SENSE]:PULSE:STATISTICS:HISTOGRAM:ORDINATE PERCENT sets the histogram Y axis to percent.

## [SENSE]:PULSE:STATISTICS:HISTOGRAM:POINTS

Sets or queries the number of bins in the Histogram plot.

- Conditions** Measurement views: Pulse statistics
- Group** Sense commands

**Syntax** [SENSE]:PULSE:STATISTICS:HISTOGRAM:POINTS <value>  
[SENSE]:PULSE:STATISTICS:HISTOGRAM:POINTS?

**Arguments** <value> ::= <NRF> specifies the number of histogram bins.  
Range: 5 to 10000

**Examples** [SENSE]:PULSE:STATISTICS:HISTOGRAM:POINTS 10 sets the number of histogram bins to 10.

## [SENSE]:PULSE:STATISTICS:HISTOGRAM:POINTS:AUTO

Sets or queries enabling automatic Histogram plot bins count.

**Conditions** Measurement views: Pulse statistics

**Group** Sense commands

**Syntax** [SENSE]:PULSE:STATISTICS:HISTOGRAM:POINTS:AUTO { OFF | ON  
| 0 | 1 }  
[SENSE]:PULSE:STATISTICS:HISTOGRAM:POINTS:AUTO?

**Arguments** OFF or 0 sets the number of bins manually by the [SENSE]:PULSE:STATISTICS:HISTOGRAM:POINTS command.  
ON or 1 sets the number of bins to the number of pulses/10.

**Examples** [SENSE]:PULSE:STATISTICS:HISTOGRAM:POINTS:AUTO 1 sets the number of histogram bins based on number of pulses.

## [SENSE]:REANalyze (No Query Form)

Sets all measurements to reanalyze the last acquisition.

---

**NOTE.** *SENSE:REANalyze is an overlapped command, which does not finish executing before the next command starts executing. Use the \*OPC(?) and \*WAI commands to synchronize all pending operations to the execution of this command.*

---

**Conditions** Measurement views: All

---

<b>Group</b>	Sense commands
<b>Syntax</b>	[SENSE]:REANalyze
<b>Related Commands</b>	*OPC, *WAI
<b>Arguments</b>	None
<b>Examples</b>	SENSE:REANALYZE reanalyzes all measurements using the current acquisition.

### [SENSE]:REANalyze:ACQuisition:SETTings? (Query Only)

Queries the settings of all acquisitions.

<b>Conditions</b>	Measurement views: All
<b>Group</b>	Sense commands
<b>Syntax</b>	[SENSE]:REANalyze:ACQuisition:SETTings?

### [SENSE]:REANalyze:ALL (No Query Form)

Replay all items in the current acquisition selection.

<b>Conditions</b>	Measurement views: All
<b>Group</b>	Sense commands
<b>Syntax</b>	[SENSE]:REANalyze:ALL

### [SENSE]:REANalyze:ALL:LOOP (No Query Form)

Replay all selected records/frames in a continuous loop.

<b>Conditions</b>	Measurement views: All
-------------------	------------------------

**Group** Sense commands

**Syntax** [SENSE]:REANalyze:ALL:LOOP

### [SENSE]:REANalyze:CURRENT (No Query Form)

Replay the currently selected acquisition (or frame).

**Conditions** Measurement views: All

**Group** Sense commands

**Syntax** [SENSE]:REANalyze:CURRENT

### [SENSE]:REANalyze:CURRENT:ACquisition? (Query Only)

Queries the Acquisition record identifier (ID) of the currently selected acquisition (or frame).

**Conditions** Measurement views: All

**Group** Sense commands

**Syntax** [SENSE]:REANalyze:CURRENT:ACquisition?

### [SENSE]:REANalyze:CURRENT:FRAME? (Query Only)

Queries the Frame identifier (ID) of the currently selected acquisition (or frame).

**Conditions** Measurement views: All

**Group** Sense commands

**Syntax** [SENSE]:REANalyze:CURRENT:FRAME?

## [SENSe]:REANalyze:CURRent:TIMEstamp? (Query Only)

Queries the time stamp of the currently selected acquisition (or frame).

<b>Conditions</b>	Measurement views: All
<b>Group</b>	Sense commands
<b>Syntax</b>	[SENSe]:REANalyze:CURRent:TIMEstamp?

## [SENSe]:REANalyze:DELeTe:DATA (No Query Form)

Deletes all acquisition data.

<b>Conditions</b>	Measurement views: All
<b>Group</b>	Sense commands
<b>Syntax</b>	[SENSe]:REANalyze:DELeTe:DATA

## [SENSe]:REANalyze:FIRSt (No Query Form)

Replays (reanalyzes) the first item in the currently selected acquisition (or frame).

<b>Conditions</b>	Measurement views: All
<b>Group</b>	Sense commands
<b>Syntax</b>	[SENSe]:REANalyze:FIRSt

## [SENSe]:REANalyze:LAST (No Query Form)

Replays (reanalyzes) the last item in the currently selected acquisition (or frame).

<b>Conditions</b>	Measurement views: All
-------------------	------------------------

**Group** Sense commands

**Syntax** [SENSE]:REANalyze:LAST

### [SENSe]:REANalyze:NEXT (No Query Form)

Replays (reanalyzes) the next item in the currently selected acquisition (or frame).

**Conditions** Measurement views: All

**Group** Sense commands

**Syntax** [SENSe]:REANalyze:NEXT

### [SENSe]:REANalyze:PAUSE

Sets or queries the reanalysis paused state.

**Conditions** Measurement views: All

**Group** Sense commands

**Syntax** [SENSe]:REANalyze:PAUSE {OFF | ON | 0 | 1 }  
[SENSe]:REANalyze:PAUSE?

**Arguments** ON or 1 pauses (blocks) any acquisition until current reanalysis is completed.  
OFF or 0 disables the reanalysis pause mode.

### [SENSe]:REANalyze:PREVious (No Query Form)

Replays (reanalyzes) the previous item in the currently selected acquisition (or frame).

**Conditions** Measurement views: All

**Group** Sense commands

**Syntax** [SENSE]:REANalyze:PREVIOUS

## [SENSE]:REANalyze:SElect:ACQuisition:DATA:TYPE

Sets or queries the acquisition data type.

**Conditions** Measurement views: All

**Group** Sense commands

**Syntax** [SENSE]:REANalyze:SElect:ACQuisition:DATA:TYPE {SPECTra | IQ }  
[SENSE]:REANalyze:SElect:ACQuisition:DATA:TYPE?

**Arguments** SPECTra sets the acquisition data type as DPX spectra data.  
IQ sets the acquisition date type a IQ data.

**Examples** [SENSE]:REANALYZE:SELECT:ACQUISITION:DATA:TYPE IQ sets the acquisition data type to IQ data.

## [SENSE]:REANalyze:SElect:ACQuisition:FIRSt? (Query Only)

Queries the first selectable acquisition Start or Stop value in the currently selected set.

**Conditions** Measurement views: All

**Group** Sense commands

**Syntax** [SENSE]:REANalyze:SElect:ACQuisition:FIRSt?

**Related Commands** [\[SENSE\]:REANalyze:SElect:ACQuisition:FIRSt:TIMestamp?](#)

## [SENSE]:REANalyze:SElect:ACQuisition:FIRSt:TIMestamp? (Query Only)

Queries the time stamp of the first selectable acquisition history Start or Stop value in the currently selected acquisition set.

**Conditions** Measurement views: All

**Group** Sense commands

**Syntax** [SENSe]:REANalyze:SElect:ACQuisition:FIRSt:TIMestamp?

**Related Commands** [\[SENSe\]:REANalyze:SElect:ACQuisition:FIRSt?](#)

## **[SENSe]:REANalyze:SElect:ACQuisition:LAST? (Query Only)**

Queries the last selectable acquisition Start or Stop value in the currently selected set.

**Conditions** Measurement views: All

**Group** Sense commands

**Syntax** [SENSe]:REANalyze:SElect:ACQuisition:LAST?

**Related Commands** [\[SENSe\]:REANalyze:SElect:ACQuisition:LAST:TIMestamp?](#)

## **[SENSe]:REANalyze:SElect:ACQuisition:LAST:TIMestamp? (Query Only)**

Queries the time stamp of the last selectable acquisition Start or Stop value in the currently selected set.

**Conditions** Measurement views: All

**Group** Sense commands

**Syntax** [SENSe]:REANalyze:SElect:ACQuisition:LAST:TIMestamp?

**Related Commands** [\[SENSe\]:REANalyze:SElect:ACQuisition:LAST?](#)



## [SENSe]:REANalyze:SElect:ACQuisition:START

Sets or queries the Acquisition Start value in the currently selected set.

**Conditions** Measurement views: All

**Group** Sense commands

**Syntax** [SENSe]:REANalyze:SElect:ACQuisition:START <value>  
[SENSe]:REANalyze:SElect:ACQuisition:START?

**Arguments** <value> :: <NR1> is an integer in the range from one to the number of acquisitions in the acquisition history.

## [SENSe]:REANalyze:SElect:ACQuisition:START:TIMestamp? (Query Only)

Queries the time stamp of the current Acquisition Start selection. It is the time stamp of the first frame of the selected acquisition, if FastFrame is enabled.

**Conditions** Measurement views: All

**Group** Sense commands

**Syntax** [SENSe]:REANalyze:SElect:ACQuisition:START:TIMestamp?

## [SENSe]:REANalyze:SElect:ACQuisition:STOP

Sets or queries the Acquisition Stop value in the currently selected set.

**Conditions** Measurement views: All

**Group** Sense commands

**Syntax** [SENSe]:REANalyze:SElect:ACQuisition:STOP <value>  
[SENSe]:REANalyze:SElect:ACQuisition:STOP?

**Arguments** <value> :: <NR1> is an integer in the range from one to the number of acquisitions in the acquisition history.

### [SENSe]:REANalyze:SElect:ACQuisition:STOP:TIMestamp? (Query Only)

Queries the time stamp of the current Acquisition Stop selection. This is the time stamp of the last frame of the selected acquisition, if FastFrame is enabled.

**Conditions** Measurement views: All

**Group** Sense commands

**Syntax** [SENSe]:REANalyze:SElect:ACQuisition:STOP:TIMestamp?

### [SENSe]:REANalyze:SElect:ALL (No Query Form)

Selects all acquisitions and frames in the currently selected set.

**Conditions** Measurement views: All

**Group** Sense commands

**Syntax** [SENSe]:REANalyze:SElect:ALL

### [SENSe]:REANalyze:SElect:FRAMe:FIRSt? (Query Only)

Queries the first available Frame Start or Stop value available in the currently selected set.

**Conditions** Measurement views: All

**Group** Sense commands

**Syntax** [SENSe]:REANalyze:SElect:FRAMe:FIRSt?

**Related Commands** [\[SENSe\]:REANalyze:SElect:FRAMe:FIRSt:TIMestamp?](#)

## [SENSE]:REANalyze:SElect:FRAMe:FIRSt:TIMestamp? (Query Only)

Queries the time stamp of the first available frame of the first available Acquisition Start or Stop value available in the currently selected set.

**Conditions** Measurement views: All

**Group** Sense commands

**Syntax** [SENSE]:REANalyze:SElect:FRAMe:FIRSt:TIMestamp?

**Related Commands** [\[SENSE\]:REANalyze:SElect:FRAMe:FIRSt?](#)

## [SENSE]:REANalyze:SElect:FRAMe:LAST? (Query Only)

Queries the last available Frame Start or Stop value available in the currently selected set.

**Conditions** Measurement views: All

**Group** Sense commands

**Syntax** [SENSE]:REANalyze:SElect:FRAMe:LAST?

**Related Commands** [\[SENSE\]:REANalyze:SElect:FRAMe:LAST:TIMestamp?](#)

## [SENSE]:REANalyze:SElect:FRAMe:LAST:TIMestamp? (Query Only)

Queries the time stamp of the last available frame of the last available Acquisition Start or Stop value available in the currently selected set.

**Conditions** Measurement views: All

**Group** Sense commands

**Syntax** [SENSE]:REANalyze:SElect:FRAMe:LAST:TIMestamp?

**Related Commands**    [\[SENSe\]:REANalyze:SElect:FRAMe:LAST?](#)

## **[SENSe]:REANalyze:SElect:FRAMe:START**

Sets or queries the Frame Start value in the currently selected set.

**Conditions**    Measurement views: All

**Group**    Sense commands

**Syntax**    `[SENSe]:REANalyze:SElect:FRAMe:START <value>`  
`[SENSe]:REANalyze:SElect:FRAMe:START?`

**Arguments**    `<value> :: <NR1>` is an integer in the range from one to the number of fast frames.

## **[SENSe]:REANalyze:SElect:FRAMe:START:TIMestamp? (Query Only)**

Queries the time stamp of the current Frame Start selection. This is the time stamp of the Frame Start frame of the acquisition start acquisition, if FastFrame is enabled.

**Conditions**    Measurement views: All

**Group**    Sense commands

**Syntax**    `[SENSe]:REANalyze:SElect:FRAMe:START:TIMestamp?`

## **[SENSe]:REANalyze:SElect:FRAMe:STOP**

Sets or queries the frame stop value in the currently selected set.

**Conditions**    Measurement views: All

**Group**    Sense commands

**Syntax** [SENSE]:REANalyze:SElect:FRAMe:STOP <value>  
[SENSE]:REANalyze:SElect:FRAMe:STOP?

**Related Commands** [\[SENSE\]:REANalyze:SElect:FRAMe:STOP:TIMestamp?](#)

**Arguments** <value> :: <NR1> is an integer in the range from one to the number of fast frames.

## [SENSE]:REANalyze:SElect:FRAMe:STOP:TIMestamp? (Query Only)

Queries the time stamp of the current frame stop selection. It is the time stamp of the frame Stop frame of the Acquisition Stop acquisition, if FastFrame is enabled.

**Conditions** Measurement views: All

**Group** Sense commands

**Syntax** [SENSE]:REANalyze:SElect:FRAMe:STOP:TIMestamp?

**Related Commands** [\[SENSE\]:REANalyze:SElect:FRAMe:STOP](#)

## [SENSE]:REANalyze:SElect:SPECTra:ACQuisition:ALL (No Query Form)

Selects all spectra acquisitions and frames in the currently selected set.

**Conditions** Measurement views: All

**Group** Sense commands

**Syntax** [SENSE]:REANalyze:SElect:SPECTra:ACQuisition:ALL

## [SENSE]:REANalyze:SElect:SPECTra:ACQuisition:CURRent:ACQuisition? (Query Only)

Queries the acquisition record identifier (ID) of the currently selected acquisition.

<b>Conditions</b>	Measurement views: All
<b>Group</b>	Sense commands
<b>Syntax</b>	[SENSE]:REANalyze:SElect:SPECTra:ACQuisition:CURRent:ACQuisition?
<b>Returns</b>	<ID Number> ::= <NR1> the record identifier number of the current acquisition.
<b>Examples</b>	[SENSE]:REANALYZE:SELECT:SPECTRA:ACQUISITION:CURRENT:ACQUISITION? might return 848 indicating that the current acquisition record number is 848.

## [SENSE]:REANalyze:SElect:SPECTra:ACQuisition:CURRent:TIMestamp? (Query Only)

Queries the time stamp of the currently selected acquisition.

<b>Conditions</b>	Measurement views: All
<b>Group</b>	Sense commands
<b>Syntax</b>	[SENSE]:REANalyze:SElect:SPECTra:ACQuisition:CURRent:TIMestamp?
<b>Returns</b>	<time stamp> ::= <string> The current time stamp value.
<b>Examples</b>	[SENSE]:REANALYZE:SELECT:SPECTRA:ACQUISITION:CURRENT:TIMESTAMP? might return "10/10/2011 10:57:55.93" indicating that the current time stamp recorded on October 10, 2011 was 10 hours, 57 minutes, and 55.93 seconds.

## [SENSE]:REANalyze:SElect:SPECTra:ACQuisition:FIRSt? (Query Only)

Queries the first selectable acquisition start or stop value in the currently selected set.

<b>Conditions</b>	Measurement views: All
<b>Group</b>	Sense commands
<b>Syntax</b>	[SENSE]:REANalyze:SElect:SPECTra:ACQuisition:FIRSt?
<b>Returns</b>	<ID Number> ::= <NR1> the record identifier number of the current acquisition.
<b>Examples</b>	[SENSE]:REANALYZE:SELECT:SPECTRA:ACQUISITION:FIRST? might return 1 indicating that the first selectable acquisition start or stop value was 1.

### [SENSE]:REANalyze:SElect:SPECTra:ACQuisition:FIRSt:TIMestamp? (Query Only)

Queries the time stamp of the first selectable acquisition history start or stop value in the currently selected acquisition set.

<b>Conditions</b>	Measurement views: All
<b>Group</b>	Sense commands
<b>Syntax</b>	[SENSE]:REANalyze:SElect:SPECTra:ACQuisition:FIRSt:TIMestamp?
<b>Returns</b>	<time stamp> ::= <string> The first time stamp value.
<b>Examples</b>	[SENSE]:REANALYZE:SELECT:SPECTRA:ACQUISITION:FIRST:TIMESTAMP? might return "10/10/2011 10:57:41.58" indicating that the first time stamp recorded on October 10, 2011 was 10 hours, 57 minutes, and 41.58 seconds.

### [SENSE]:REANalyze:SElect:SPECTra:ACQuisition:LAST? (Query Only)

Queries the last selectable acquisition start or stop value in the currently selected set.

<b>Conditions</b>	Measurement views: All
-------------------	------------------------

<b>Group</b>	Sense commands
<b>Syntax</b>	[SENSE]:REANalyze:SElect:SPECTra:ACQuisition:LAST?
<b>Returns</b>	<ID Number> ::= <NR1> the record identifier number of the current acquisition.
<b>Examples</b>	[SENSE]:REANALYZE:SELECT:SPECTRA:ACQUISITION:LAST? might return 1 indicating that the last selectable acquisition start or stop value was 1.

### [SENSE]:REANalyze:SElect:SPECTra:ACQuisition:LAST:TIMestamp? (Query Only)

Queries the time stamp of the last selectable acquisition start or stop value in the currently selected set.

<b>Conditions</b>	Measurement views: All
<b>Group</b>	Sense commands
<b>Syntax</b>	[SENSE]:REANalyze:SElect:SPECTra:ACQuisition:LAST:TIMestamp?
<b>Returns</b>	<time stamp> ::= <string> The last time stamp value.
<b>Examples</b>	[SENSE]:REANALYZE:SELECT:SPECTRA:ACQUISITION:LAST:TIMESTAMP? might return "10/10/2011 10:57:41:58" indicating that the last time stamp recorded on October 10, 2011 was 10 hours, 57 minutes, and 41.58 seconds.

### [SENSE]:REANalyze:SElect:SPECTra:ACQuisition:START

Sets or queries the acquisition start value in the currently selected set.

<b>Conditions</b>	Measurement views: All
<b>Group</b>	Sense commands



<b>Syntax</b>	<code>[SENSE]:REANalyze:SElect:SPECTra:ACQuisition:START &lt;value&gt;</code> <code>[SENSE]:REANalyze:SElect:SPECTra:ACQuisition:START?</code>
<b>Arguments</b>	<code>&lt;value&gt;</code> ::= <code>&lt;NR1&gt;</code> is an integer in the range from one to the number of acquisitions in the acquisition history.
<b>Examples</b>	<code>[SENSE]:REANALYZE:SELECT:SPECTRA:ACQUISITION:START?</code> might return <code>1.0000000000</code> indicating the start value was 1.

## `[SENSE]:REANalyze:SElect:SPECTra:ACQuisition:START:TIMestamp?` (Query Only)

Queries the time stamp of the current acquisition start selection.

<b>Conditions</b>	Measurement views: All
<b>Group</b>	Sense commands
<b>Syntax</b>	<code>[SENSE]:REANalyze:SElect:SPECTra:ACQuisition:START:TIMestamp?</code>
<b>Returns</b>	<code>&lt;time stamp&gt;</code> ::= <code>&lt;string&gt;</code> The start time stamp value.
<b>Examples</b>	<code>[SENSE]:REANALYZE:SELECT:SPECTRA:ACQUISITION:START:TIMESTAMP?</code> might return <code>"10/10/2011 10:57:41.58"</code> indicating that the time stamp of the acquisition start selection recorded on October 10, 2011 was 10 hours, 57 minutes, and 41.58 seconds.

## `[SENSE]:REANalyze:SElect:SPECTra:ACQuisition:STOP`

Sets or queries the acquisition stop value in the currently selected set.

<b>Conditions</b>	Measurement views: All
<b>Group</b>	Sense commands
<b>Syntax</b>	<code>[SENSE]:REANalyze:SElect:SPECTra:ACQuisition:STOP &lt;value&gt;</code> <code>[SENSE]:REANalyze:SElect:SPECTra:ACQuisition:STOP?</code>

**Arguments** <value> ::= <NR1> is an integer in the range from one to the number of acquisitions in the acquisition history.

**Examples** [SENSE]:REANALYZE:SELECT:SPECTRA:ACQUISITION:STOP? might return 1.0000000000 indicating the stop value was 1.

## [SENSE]:REANalyze:SElect:SPECTra:ACQuisition:STOP:TIMEstamp? (Query Only)

Queries the time stamp of the current acquisition stop selection.

**Conditions** Measurement views: All

**Group** Sense commands

**Syntax** [SENSE]:REANalyze:SElect:SPECTra:ACQuisition:STOP:TIMEstamp?

**Returns** <time stamp> ::= <string> The stop time stamp value.

**Examples** [SENSE]:REANALYZE:SELECT:SPECTRA:ACQUISITION:STOP:TIMESTAMP? might return "10/10/2011 10:57:41.58" indicating that the time stamp of stop selection recorded on October 10, 2011 was 10 hours, 57 minutes, and 41.58 seconds.

## [SENSE]:REANalyze:SPEEd

Sets or queries the time delay value inserted between reanalysis of frames or acquisitions.

**Conditions** Measurement views: All

**Group** Sense commands

**Syntax** [SENSE]:REANalyze:SPEEd <value>  
[SENSE]:REANalyze:SPEEd?

**Arguments** <value> :: <NR1> is an integer in the range of zero (for no delay) to four (for a maximum delay of about one second).

## [SENSe]:REANalyze:STOP (No Query Form)

Stops the current reanalysis. The command will block until the current reanalysis has completed and stopped.

**Conditions** Measurement views: All

**Group** Sense commands

**Syntax** [SENSe]:REANalyze:STOP

## [SENSe]:REANalyze:TIMestamp:DECimal

Sets or queries the number of values to the right of the decimal point to include in all time stamps.

**Conditions** Measurement views: All

**Group** Sense commands

**Syntax** [SENSe]:REANalyze:TIMestamp:DECimal <value>  
[SENSe]:REANalyze:TIMestamp:DECimal?

**Arguments** <value> :: <NR1> is an integer in the range of one to nine.

## [SENSe]:ROSCillator:SOURce

Sets or queries the frequency reference oscillator source.

**Conditions** Measurement views: All

**Group** Sense commands

**Syntax** [SENSe]:ROSCiLLator:SOURCE { INTerna1 | EXTerna1 }  
[SENSe]:ROSCiLLator:SOURCE?

**Arguments** INTerna1 specifies that the analyzer uses the 10 MHz internal oscillator.  
EXTerna1 specifies that the analyzer uses the external reference signal. Use the Ref In connector on the rear panel to input the signal.  
Selecting EXTerna1 initiates an attempt to lock the internal reference oscillator to the external reference signal. If the signal is not connected or is at an invalid frequency or amplitude, an error (2028, "External frequency reference signal not valid. Using internal reference") is returned. If not able to lock to the external reference, an error (2029, "Unable to lock to external frequency reference. Using internal reference.") is returned.

**Examples** SENSE:ROSCILLATOR:SOURCE INTerna1 uses the 10 MHz internal oscillator for the frequency reference.

## [SENSe]:SIGNAlpath:PRIOriTy(for RSA5100A series only)

Sets or queries the signal path priority for the measurements.

**Conditions** Measurement views: All

**Group** Sense commands

**Syntax** [SENSe]:SIGNAlpath:PRIOriTy { RF | LF }  
[SENSe]:SIGNAlpath:PRIOriTy?

**Arguments** RF sets the signal path to high frequency range.  
LF sets the signal path to low frequency range.

**Examples** SENSE:SIGNALPATH:PRIORITY sets the low frequency signal path when measurements are completely within LF frequency range.

## [SENSe]:SEM:{BANDwidth|BWIDth}[:RESolution]

Sets or queries the resolution bandwidth (RBW) in the Spectral Emissions Mask measurement.

<b>Conditions</b>	Measurement views: Spectral Emissions Mask
<b>Group</b>	Sense commands
<b>Syntax</b>	[SENSE]:SEM:{BANDwidth BWIDth}[:RESolution] <value> [SENSE]:SEM:{BANDwidth BWIDth}[:RESolution]?
<b>Arguments</b>	<value>::<NRf> specifies the resolution bandwidth.
<b>Examples</b>	[SENSE]:SEM:{BANDWIDTH BWIDTH}[:RESOLUTION] 200kHz sets the resolution bandwidth to 200 kHz.

## [SENSe]:SEM:{BANDwidth|BWIDth}:VIDeo

Sets or queries the video bandwidth (VBW) in the Spectral Emissions Mask measurement.

<b>Conditions</b>	Measurement views: Spectral Emissions Mask
<b>Group</b>	Sense commands
<b>Syntax</b>	[SENSe]:SEM:{BANDwidth BWIDth}:VIDeo <value> [SENSe]:SEM:{BANDwidth BWIDth}:VIDeo?
<b>Arguments</b>	<value>::<NRf> specifies the video bandwidth. Range: Current RBW/10 <sup>4</sup> (1 Hz minimum) to current RBW.
<b>Examples</b>	[SENSe]:SEM:{BANDWIDTH BWIDTH}:VIDEO 200kHz sets the video bandwidth to 200 kHz.

## [SENSe]:SEM:CHANnel:FILTer

Sets or queries the reference Channel Filter in the Spectral Emissions Mask measurement.

<b>Conditions</b>	Measurement views: Spectral Emissions Mask
-------------------	--

<b>Group</b>	Sense commands
<b>Syntax</b>	[SENSE]:SEM:CHANnel:FILTer { RRC   NONE } [SENSE]:SEM:CHANnel:FILTer?
<b>Arguments</b>	RRC selects the Root-Raised-Cosine filter. NONE uses no filter.
<b>Examples</b>	[SENSE]:SEM:CHANNEL:FILTER RRCosine selects Root-Raised-Cosine for the reference Channel Filter.

## [SENSe]:SEM:CHANnel:IBANdwidth

Sets or queries the reference channel integration bandwidth for the Spectral Emissions Mask measurement.

**Conditions** Measurement views: Spectral Emissions Mask

**Group** Sense commands

**Syntax** [SENSe]:SEM:CHANnel:IBANdwidth <value>  
[SENSe]:SEM:CHANnel:IBANdwidth?

**Arguments** <value>::<NRF> integration bandwidth

**Returns**

**Examples** [SENSE]:SEM:CHANNEL:IBANDWIDTH? might return 18.000000E+6 indicating that the integration bandwidth is 18 MHz.

## [SENSe]:SEM:CHANnel:WIDTh

Sets or queries the reference Channel Filter bandwidth in the Spectral Emissions Mask measurement.

**Conditions** Measurement views: Spectral Emissions Mask

**Group** Sense commands

<b>Syntax</b>	[SENSE]:SEM:CHANNEL:WIDTH <value> [SENSE]:SEM:CHANNEL:WIDTH?
<b>Arguments</b>	<value>::<NRf> specifies the filter bandwidth.
<b>Examples</b>	[SENSE]:SEM:CHANNEL:WIDTH 30KHZ sets the filter bandwidth to 30 kHz.

## [SENSE]:SEM:CHIPrate

Sets or queries the Chip rate in the Spectral Emissions Mask view.

Use the [\[SENSE\]:SEM:CHANNEL:FILTER](#) command to set the reference Channel Filter to RRC (Root-Raised Cosine).

<b>Conditions</b>	Measurement views: Spectral Emissions Mask
<b>Group</b>	Sense commands
<b>Syntax</b>	[SENSE]:SEM:CHIPrate <value> [SENSE]:SEM:CHIPrate?
<b>Arguments</b>	<value>::<NRf> specifies the chip rate.
<b>Examples</b>	[SENSE]:SEM:CHIPRATE 3.84MHZ sets the Chip rate to 3.84 MHz.

## [SENSE]:SEM:CLEar:RESuLts (No Query Form)

Clears the results in the Spectral Emissions Mask measurement.

<b>Conditions</b>	Measurement views: Spectral Emissions Mask
<b>Group</b>	Sense commands
<b>Syntax</b>	[SENSE]:SEM:CLEar:RESuLts
<b>Arguments</b>	None

**Examples** [SENSE]:SEM:CLEAR:RESULTS clears the results in the measurement.

## [SENSe]:SEM:FREQuency

Sets or queries the measurement frequency for the Spectral Emissions Mask measurement.

**Conditions** Measurement views: Spectral Emissions Mask

**Group** Sense commands

**Syntax** [SENSe]:SEM:FREQuency <value>  
[SENSe]:SEM:FREQuency?

**Arguments** <value>::<NRf> specifies the center frequency.

**Examples** [SENSE]:SEM:FREQUENCY 1.0GHZ sets the center frequency to 1.0 GHz.

## [SENSe]:SEM:FREQuency:SPAN? (Query Only)

Returns the frequency span for the Spectral Emissions Mask measurement.

**Conditions** Measurement views: Spectral Emissions Mask

**Group** Sense commands

**Syntax** [SENSe]:SEM:FREQuency:SPAN?

**Arguments** None

**Returns** <NRf> frequency span.

**Examples** [SENSE]:SEM:FREQUENCY:SPAN? might return 100.00000E+6 indicating that the frequency span is 100 MHz.



## [SENSe]:SEM:MFILter

Sets or queries the shape of the filter in the Spectral Emissions Mask measurement.

**Conditions** Measurement views: Spectral Emissions Mask

**Group** Sense commands

**Syntax** [SENSe]:SEM:MFILter { GAUSSian | RECTangular }  
[SENSe]:SEM:MFILter?

**Arguments** GAUSSian sets the filter shape to Gaussian.

RECTangular sets the filter shape to Rectangular.

**Examples** [SENSe]:SEM:MFILter RECTangular sets the filter shape to Rectangular.

## [SENSe]:SEM:MTYPE

Sets or queries the measurement type in the Spectral Emissions Mask measurement.

**Conditions** Measurement views: Spectral Emissions Mask

**Group** Sense commands

**Syntax** [SENSe]:SEM:MTYPE { TPOW | PSD | PEAK }

**Arguments** TPOW specifies the Total Power measurement.  
 PSD specifies the Peak Spectral Density measurement in dBm/Hz.  
 PEAK specifies a Peak power measurement.

**Examples** [SENSE]:SEM:MTYPE PEAK sets the measurement type to Peak.

## [SENSe]:SEM:OFFSet:DETection

Sets or queries the detection settings for all offsets for the Spectral Emissions Mask measurement.

**Conditions** Measurement views: Spectral Emissions Mask

**Group** Sense commands

**Syntax** [SENSe]:SEM:OFFSet:DETection { AVERage | PEAK }  
 [SENSe]:SEM:OFFSet:DETection?

**Arguments** AVERage indicates the Offsets setting is Average (VRMS).  
 PEAK indicates the Offsets setting is the positive peak.

**Examples** [SENSE]:SEM:OFFSET:DETECTION AVER sets the detection settings for all offsets to Average RMS.

## [SENSe]:SEM:OFFSet<x>:BANDwidth:FILTer? (Query Only)

Returns the bandwidth filter setting for specified row in the Offsets & Limits table. The filter setting is equal to the Resolution Bandwidth (RBW) value times the number of resolution bandwidths. The parameter <x> represents the row in the Offsets & Limits table.

**Conditions** Measurement views: Spectral Emissions Mask

**Group** Sense commands

**Syntax** [SENSe]:SEM:OFFSet<x>:BANDwidth:FILTer?

**Arguments** None

**Returns** <value>::<NRf> is the filter bandwidth setting.

**Examples** [SENSe]:SEM:OFFSet3:BANDwidth:FILTer might return 30.0E+3 indicating that the filter bandwidth for row 3 to 30 kHz.

## [SENSe]:SEM:OFFSet<x>:BANDwidth[:RESolution]

Sets or queries the resolution bandwidth for specified row in the Offsets & Limits table. The parameter <x> represents the row in the Offsets & Limits table.

**Conditions** Measurement views: Spectral Emissions Mask

**Group** Sense commands

**Syntax** [SENSe]:SEM:OFFSet<x>:BANDwidth[:RESolution] <value>  
[SENSe]:SEM:OFFSet<x>:BANDwidth[:RESolution]?

**Returns** <value>::<NRf> specifies the resolution bandwidth.

**Examples** [SENSe]:SEM:OFFSet4:BANDwidth[:RESolution] 30kHz sets the resolution bandwidth in row 4 to 30 kHz.

**[SENSe]:SEM:OFFSet<x>:BANDwidth:RESolution:COUNT**

Sets or queries the count of Resolution Bandwidths (RBWs) for specified row in the Offsets & Limits table. The parameter <x> represents the row in the Offsets & Limits table.

**Conditions** Measurement views: Spectral Emissions Mask

**Group** Sense commands

**Syntax** [SENSe]:SEM:OFFSet<x>:BANDwidth:RESolution:COUNT <value>  
[SENSe]:SEM:OFFSet<x>:BANDwidth:RESolution:COUNT?

**Arguments** <value> specifies the count number of RBWs.

**Examples** [SENSe]:SEM:OFFSet1:BANDwidth:RESolution:COUNT 10 sets the count for row 1 to 10.

**[SENSe]:SEM:OFFSet<x>:BANDwidth:VIDeo**

Sets or queries the video bandwidth setting for specified row in the Offsets & Limits table. The parameter <x> represents the row in the Offsets & Limits table.

**Conditions** Measurement views: Spectral Emissions Mask

**Group** Sense commands

**Syntax** [SENSe]:SEM:OFFSet<x>:BANDwidth:VIDeo <value>  
[SENSe]:SEM:OFFSet<x>:BANDwidth:VIDeo?

**Arguments** <value>::<NRF> specifies the video bandwidth setting.

**Examples** [SENSe]:SEM:OFFSet3:BANDwidth:VIDeo 300 sets the video bandwidth for row 3 to 300 Hz.

## [SENSE]:SEM:OFFSet<x>:BANDwidth:VIDeo:STATe

Sets or queries the state of the video bandwidth for specified row in the Offsets & Limits table. The parameter <x> represents the row in the Offsets & Limits table.

<b>Conditions</b>	Measurement views: Spectral Emissions Mask
<b>Group</b>	Sense commands
<b>Syntax</b>	[SENSE]:SEM:OFFSet<x>:BANDwidth:VIDeo:STATe { OFF   ON   0   1 } [SENSE]:SEM:OFFSet<x>:BANDwidth:VIDeo:STATe?
<b>Arguments</b>	OFF or 0 turns the video bandwidth filter off. ON or 1 turns the video bandwidth filter on.
<b>Examples</b>	[SENSE]:SEM:OFFSet3:BANDwidth:VIDeo:STATe ON turns on the video bandwidth filter for row 3 in the table.

## [SENSE]:SEM:OFFSet<x>:FREQuency:START

Sets or queries the start frequency for specified row in the Offsets & Limits table. The parameter <x> represents the row in the Offsets & Limits table.

<b>Conditions</b>	Measurement views: Spectral Emissions Mask
<b>Group</b>	Sense commands
<b>Syntax</b>	[SENSE]:SEM:OFFSet<x>:FREQuency:START <value> [SENSE]:SEM:OFFSet<x>:FREQuency:START?
<b>Arguments</b>	<value>::<NRf> specifies the start frequency.
<b>Examples</b>	[SENSE]:SEM:OFFSet1:FREQuency:START 2.876MHZ sets the start frequency in row 1 to 2.876 MHz.

**[SENSe]:SEM:OFFSet<x>:FREQuency:STOP**

Sets or queries the stop frequency for specified row in the Offsets & Limits table. The parameter <x> represents the row in the Offsets & Limits table.

<b>Conditions</b>	Measurement views: Spectral Emissions Mask
<b>Group</b>	Sense commands
<b>Syntax</b>	[SENSe]:SEM:OFFSet<x>:FREQuency:STOP <value> [SENSe]:SEM:OFFSet<x>:FREQuency:STOP?
<b>Arguments</b>	<value>::<NRf> specifies the stop frequency.
<b>Examples</b>	[SENSe]:SEM:OFFSet1:FREQuency:STOP 3.485MHZ ssets the stop frequency in row 1 to 3.485 MHz.

**[SENSe]:SEM:OFFSet<x>:LIMIT:ABSolute:SAME**

Sets or queries the state of the limits for the absolute start and stop settings for specified row in the Offsets & Limits table. The parameter <x> represents the row in the Offsets & Limits table.

<b>Conditions</b>	Measurement views: Spectral Emissions Mask
<b>Group</b>	Sense commands
<b>Syntax</b>	[SENSe]:SEM:OFFSet<x>:LIMIT:ABSolute:SAME { OFF   ON   0   1 } [SENSe]:SEM:OFFSet<x>:LIMIT:ABSolute:SAME?
<b>Arguments</b>	OFF or 0 indicates the start and stop limits are different. ON or 1 indicates the state and stop limits are the same.
<b>Examples</b>	[SENSe]:SEM:OFFSet2:LIMIT:ABSolute:SAME ON sets the absolute start and stop limits for row 2 to the same values.

## [SENSE]:SEM:OFFSet<x>:LIMIT:ABSolute:START

Sets or queries the absolute power start limit for specified row in the Offsets & Limits table. The parameter <x> represents the row in the Offsets & Limits table.

<b>Conditions</b>	Measurement views: Spectral Emissions Mask
<b>Group</b>	Sense commands
<b>Syntax</b>	[SENSE]:SEM:OFFSet<x>:LIMIT:ABSolute:START <value> [SENSE]:SEM:OFFSet<x>:LIMIT:ABSolute:START?
<b>Arguments</b>	<value>::<NRf> specifies the power in dBm.
<b>Examples</b>	[SENSE]:SEM:OFFSet1:LIMIT:ABSolute:START -71.10 sets the absolute start power limit for row 1 to -71.10 dBm.

## [SENSE]:SEM:OFFSet<x>:LIMIT:ABSolute:STOP

Sets or queries the absolute power stop limit for specified row in the Offsets & Limits table. The parameter <x> represents the row in the Offsets & Limits table.

<b>Conditions</b>	Measurement views: Spectral Emissions Mask
<b>Group</b>	Sense commands
<b>Syntax</b>	[SENSE]:SEM:OFFSet<x>:LIMIT:ABSolute:STOP <value> [SENSE]:SEM:OFFSet<x>:LIMIT:ABSolute:STOP?
<b>Arguments</b>	<value>::<NRf> specifies the power in dBm.
<b>Examples</b>	[SENSE]:SEM:OFFSet<x>:LIMIT:ABSolute:STOP -55.80 sets the absolute stop power limit for row 1 to -55.80 dBm.

**[SENSe]:SEM:OFFSet<x>:LIMIT:MASK**

Sets or queries the limit mask setting for the specified row in the Offsets & Limits table. The parameter <x> represents the row in the Offsets & Limits table.

<b>Conditions</b>	Measurement views: Spectral Emissions Mask
<b>Group</b>	Sense commands
<b>Syntax</b>	[SENSe]:SEM:OFFSet<x>:LIMIT:MASK { ABS   REL   AND   OR } [SENSe]:SEM:OFFSet<x>:LIMIT:MASK?
<b>Arguments</b>	ABS specifies the limit mask is set to Absolute. REL specifies the limit mask is set to Relative AND specifies the limit mask is set to Absolute AND Relative. OR specifies the limit mask is set to Absolute OR Relative.
<b>Examples</b>	[SENSe]:SEM:OFFSet3:LIMIT:MASK REL sets the limit mask for row 3 to Relative.

**[SENSe]:SEM:OFFSet<x>:LIMIT:RElative:SAME**

Sets or queries the state of the limits for the relative start and stop settings for specified row in the Offsets & Limits table. The parameter <x> represents the row in the Offsets & Limits table.

<b>Conditions</b>	Measurement views: Spectral Emissions Mask
<b>Group</b>	Sense commands
<b>Syntax</b>	[SENSe]:SEM:OFFSet<x>:LIMIT:RElative:SAME { OFF   ON   0   1 } [SENSe]:SEM:OFFSet<x>:LIMIT:RElative:SAME?
<b>Arguments</b>	OFF or 0 indicates the start and stop limits are different. ON or 1 indicates the state and stop limits are the same.



**Examples** [SENSE]:SEM:OFFSet2:LIMIT:RELative:SAME ON sets the relative start and stop limits for row 2 to the same values.

## [SENSE]:SEM:OFFSet<x>:LIMIT:RELative:START

Sets or queries the relative power start limit for specified row in the Offsets & Limits table. The parameter <x> represents the row in the Offsets & Limits table.

**Conditions** Measurement views: Spectral Emissions Mask

**Group** Sense commands

**Syntax** [SENSE]:SEM:OFFSet<x>:LIMIT:RELative:START <value>  
[SENSE]:SEM:OFFSet<x>:LIMIT:RELative:START?

**Arguments** <value>::<NRf> specifies the power in dB.

**Examples** [SENSE]:SEM:OFFSet1:LIMIT:RELative:START -35.5 sets the relative start power limit for row 1 to -35.5 dB.

## [SENSE]:SEM:OFFSet<x>:LIMIT:RELative:STOP

Sets or queries the relative power stop limit for specified row in the Offsets & Limits table. The parameter <x> represents the row in the Offsets & Limits table.

**Conditions** Measurement views: Spectral Emissions Mask

**Group** Sense commands

**Syntax** [SENSE]:SEM:OFFSet<x>:LIMIT:RELative:STOP <value>  
[SENSE]:SEM:OFFSet<x>:LIMIT:RELative:STOP?

**Arguments** <value>::<NRf> specifies the power in dB.

**Examples** [SENSE]:SEM:OFFSet1:LIMIT:RELative:STOP -35.5 sets the relative stop power limit for row 1 to 35.5 dB.

**[SENSe]:SEM:OFFSet<x>:LIMIT:SIDE**

Sets or queries the side of the offset limit for specified row in the Offsets & Limits table. The parameter <x> represents the row in the Offsets & Limits table.

<b>Conditions</b>	Measurement views: Spectral Emissions Mask
<b>Group</b>	Sense commands
<b>Syntax</b>	[SENSe]:SEM:OFFSet<x>:LIMIT:SIDE { LEFT   RIGHT   BOTH} [SENSe]:SEM:OFFSet<x>:LIMIT:SIDE?
<b>Arguments</b>	LEFT specifies the left offset limit. RIGHT specifies the right offset limit. BOTH specifies both sides of the offset limit.
<b>Examples</b>	[SENSe]:SEM:OFFSet1:LIMIT:SIDE BOTH specifies the measurement uses both sides of the offset in row 1.

**[SENSe]:SEM:OFFSet<x>:STATe (No Query Form)**

Determines whether to display the specified row of the Offsets & Limits table. The parameter <x> represents the row in the Offsets & Limits table.

<b>Conditions</b>	Measurement views: Spectral Emissions Mask
<b>Group</b>	Sense commands
<b>Syntax</b>	[SENSe]:SEM:OFFSet<x>:STATe { OFF   ON   0   1 }
<b>Arguments</b>	OFF or 0 turns off the display of the row in the measurement view. ON or 1 displays the row in the measurement view.
<b>Examples</b>	[SENSe]:SEM:OFFSet2:STATe OFF the display of row 2 in the measurement view.

## [SENSE]:SEM:POINTS:COUNT

Sets or queries the maximum number of trace points per range.

**Conditions** Measurement views: Spectral Emissions Mask

**Group** Sense commands

**Syntax** [SENSE]:SEM:POINTS:COUNT <value>  
[SENSE]:SEM:POINTS:COUNT?

**Arguments** None

**Returns** P<NR1> number of points per range.

**Examples** [SENSE]:SEM:POINTS:COUNT? might return P8001 indicating a maximum of 8001 trace points.

## [SENSE]:SEM:PRESet (No Query Form)

Defines the standard protocol settings for the Spectral Emissions Mask measurement.

**Conditions** Measurement views: Spectral Emissions Mask

**Group** Sense commands

**Syntax** [SENSE]:SEM:PRESet { "3GPP Downlink" | "WLAN 802.11g" |  
"WiMax 802.16 (ETSI)" }

**Arguments** "3GPP Downlink" specifies the 3GPP Downlink standard.  
"WLAN 802.11g" specifies the IEEE 802.11 standard for WLAN communications.  
"WiMax 802.16 (ETSI)" specifies the WiMAX 802.16 (ETSI) standard.  
Quotes must be included with the arguments.

**Examples** [SENSE]:SEM:PRESET WLAN (802.11g) presets the SEM measurement to the IEEE 802.11 standard for WLAN communications.

## [SENSe]:SEM:REFerence:AUTO

Determines whether to automatically update the Power Reference in the Spectral Emissions Mask measurement.

**Conditions** Measurement views: Spectral Emissions Mask

**Group** Sense commands

**Syntax** [SENSe]:SEM:REFerence:AUTO { OFF | ON | 0 | 1 }  
[SENSe]:SEM:REFerence:AUTO?

**Arguments** OFF or 0 turns off the automatic update.  
ON or 1 automatically updates the reference power.

**Examples** [SENSE]:SEM:REFERENCE:AUTO ON automatically updates the reference power in the measurement.

## [SENSe]:SEM:REFerence:DETection

Sets or returns the reference channel detection setting.

**Conditions** Measurement views: Spectral Emissions Mask

**Group** Sense commands

**Syntax** [SENSe]:SEM:REFerence:DETection { AVERAge | PEAK }  
[SENSe]:SEM:REFerence:DETection?

**Arguments** AVERAge indicates the reference channel detection setting is Average (VRMS).  
PEAK indicates the reference channel detection setting is the positive peak.

**Examples** [SENSE]:SEM:REFERENCE:DETECTION AVER sets the reference channel detection setting to Average RMS.

## [SENSe]:SEM:REFeRence[:MAGNitude]

Sets or queries the power magnitude of the reference channel.

<b>Conditions</b>	Measurement views: Spectral Emissions Mask
<b>Group</b>	Sense commands
<b>Syntax</b>	[SENSe]:SEM:REFeRence[:MAGNitude] <value> [SENSe]:SEM:REFeRence[:MAGNitude]?
<b>Arguments</b>	<value>::<NRf> specifies the magnitude in dBm.
<b>Examples</b>	[SENSe]:SEM:REFeRence[:MAGNITUDE]? might return a magnitude of -51.057.

## [SENSe]:SEM:RRCRoLloff

Sets or queries the filter parameter (roll-off ratio) for the Root Raised Cosine filter.

<b>Conditions</b>	Measurement views: Spectral Emissions Mask
<b>Group</b>	Sense commands
<b>Syntax</b>	[SENSe]:SEM:RRCRoLloff <value> [SENSe]:SEM:RRCRoLloff?
<b>Arguments</b>	<value>::<NRf> specifies the filter parameter. Range: 0.001 to 1, 0.001 step.
<b>Examples</b>	[SENSe]:SEM:RRCROLLOFF 0.22 sets the filter parameter to 0.22.

## [SENSe]:SEM:STEP:AUTO

Determines whether to automatically update the center frequency in the Spectral Emissions Mask measurement. The Step value controls the magnitude of each step when using the front panel controls or arrow keys on the keyboard.

**Conditions** Measurement views: Spectral Emissions Mask

**Group** Sense commands

**Syntax** [SENSe]:SEM:STEP:AUTO { OFF | ON | 0 | 1 }  
[SENSe]:SEM:STEP:AUTO?

**Related Commands** [\[SENSe\]:SEM:STEP\[:MAGNitude\]](#)

**Arguments** OFF or 0 turns off the automatic update.  
ON or 1 automatically updates center frequency.

**Examples** [SENSE]:SEM:STEP:AUTO ON automatically updates the center frequency.

## [SENSe]:SEM:STEP[:MAGNitude]

Sets or queries the step magnitude for the center frequency in the Spectral Emissions Mask measurement.

**Conditions** Measurement views: Spectral Emissions Mask

**Group** Sense commands

**Syntax** [SENSe]:SEM:STEP[:MAGNitude] <value>  
[SENSe]:SEM:STEP[:MAGNitude]?

**Related Commands** [\[SENSe\]:SEM:STEP:AUTO](#)

**Arguments** <value>::<NRf> specifies the step setting.

**Examples** [SENSE]:SEM:STEP[:MAGNITUDE] 4MHZ sets the step magnitude to 4 MHz.

## [SENSe]:SEM:WIDTh:DEFinition

Sets or queries the offset definition of the measurement type in the Spectral Emissions Mask measurement.

**Conditions** Measurement views: Spectral Emissions Mask

**Group** Sense commands

**Syntax** [SENSe]:SEM:WIDTh:DEFinition {C2C | C2E | E2C | E2E}  
[SENSe]:SEM:WIDTh:DEFinition?

**Arguments** C2C defines the offset from the reference frequency center to the offset center.  
C2E defines the offset from the reference frequency center to the offset edge.  
E2C defines the offset from the reference frequency edge to the offset center.  
E2E defines the offset from the reference frequency edge to the offset edge.

**Examples** [SENSe]:SEM:WIDTh:DEFINITION C2C specifies the offset limit from the center of the reference frequency to the center of the offset.

## [SENSe]:SGRam:{BANDwidth|BWIDth}:RESolution

Sets or queries the resolution bandwidth (RBW). Programming a specified RBW sets [SENSe]:SGRam{BANDwidth|BWIDth}:RESolution:AUTO OFF.

**Conditions** Measurement views: Spectrogram

**Group** Sense commands

**Syntax** [SENSe]:SGRam:{BANDwidth|BWIDth}:RESolution <value>  
[SENSe]:SGRam:{BANDwidth|BWIDth}:RESolution?

**Related Commands** [SENSe]:SGRam:{BANDwidth|BWIDth}[:RESolution]:AUTO

**Arguments** <value> :: <Nrf> specifies the RBW. Range: 1 Hz to 10 MHz.

**Examples** SENSE:SGRAM:BANDWIDTH:RESOLUTION 200kHz sets the RBW to 200 kHz.

**[SENSe]:SGRam:{BANDwidth|BWIDth}[:RESolution]:ACTual? (Query Only)**

Queries the actual resolution bandwidth (RBW) in the spectrogram.

<b>Conditions</b>	Measurement views: Spectrogram
<b>Group</b>	Sense commands
<b>Syntax</b>	[SENSe]:SGRam:{BANDwidth BWIDth}[:RESolution]:ACTual?
<b>Arguments</b>	None
<b>Returns</b>	<NRF> The actual RBW in Hz.
<b>Examples</b>	SENSE:SGRAM:BANDWIDTH:RESOLUTION:ACTUAL? might return 299.624E+3, indicating that the actual RBW is 299.624 kHz.

**[SENSe]:SGRam:{BANDwidth|BWIDth}[:RESolution]:AUTO**

Determines whether to set the resolution bandwidth (RBW) automatically or manually in the spectrogram.

<b>Conditions</b>	Measurement views: Spectrogram
<b>Group</b>	Sense commands
<b>Syntax</b>	[SENSe]:SGRam:{BANDwidth BWIDth}[:RESolution]:AUTO { OFF   ON   0   1 } [SENSe]:SGRam:{BANDwidth BWIDth}[:RESolution]:AUTO?
<b>Arguments</b>	OFF or 0 specifies that the resolution bandwidth is set manually using the [SENSe]:DPX:{BANDwidth BWIDth}:ACTual? command. ON or 1 specifies that the resolution bandwidth is set automatically.
<b>Examples</b>	SENSE:SGRAM:BANDWIDTH:RESOLUTION:AUTO ON sets the resolution bandwidth automatically.



## [SENSe]:SGRam:{BANDwidth|BWIDth}[:RESolution]:MODE

Determines whether to enable or disable the RBW processing in the spectrogram.

<b>Conditions</b>	Measurement views: Spectrogram
<b>Group</b>	Sense commands
<b>Syntax</b>	[SENSe]:SGRam:{BANDwidth BWIDth}[:RESolution]:MODE { OFF   ON   0   1 } [SENSe]:SGRam:{BANDwidth BWIDth}[:RESolution]:MODE?
<b>Arguments</b>	OFF or 0 disables the RBW processing. You can select the FFT window using the [SENSe]:SGRam:FFT:WINDow command.  ON or 1 enables the RBW processing. Refer to the [SENSe]:SGRam:{BANDwidth BWIDth}:RESolution command to set the RBW.
<b>Examples</b>	SENSE:SGRAM:BANDWIDTH:RESOLUTION:MODE ON enables the RBW processing.

## [SENSe]:SGRam:{BANDwidth|BWIDth}:VIDeo

Sets or queries the video bandwidth (VBW). Programming a specified VBW sets [SENSe]:SGRam:{BANDwidth|BWIDth}:VIDeo:STATe OFF.

<b>Conditions</b>	Measurement views: Spectrogram
<b>Group</b>	Sense commands
<b>Syntax</b>	[SENSe]:SGRam:{BANDwidth BWIDth}:VIDeo <value> [SENSe]:SGRam:{BANDwidth BWIDth}:VIDeo?
<b>Related Commands</b>	[SENSe]:SGRam:{BANDwidth BWIDth}:VIDeo:STATe
<b>Arguments</b>	<value> :: <NRf> specifies the VBW. Range: Current RBW/10 <sup>4</sup> (1 Hz minimum) to Current RBW.
<b>Examples</b>	SENSE:SGRAM:BANDWIDTH:VIDEO 200kHz sets the VBW to 200 kHz.

## [SENSe]:SGRam:{BANDwidth|BWIDth}:VIDeo:STATe

Determines whether to enable or disable the video bandwidth (VBW) in the spectrogram measurement.

<b>Conditions</b>	Measurement views: Spectrogram
<b>Group</b>	Sense commands
<b>Syntax</b>	[SENSe]:SGRam:{BANDwidth BWIDth}:VIDeo:STATe { OFF   ON   0   1 } [SENSe]:SGRam:{BANDwidth BWIDth}:VIDeo:STATe?
<b>Arguments</b>	OFF or 0 disables the VBW. ON or 1 enables the VBW.
<b>Examples</b>	SENSe:SGRAM:BANDWIDTH:VIDEO:STATE ON enables the VBW.

## [SENSe]:SGRam:COLor

Sets or queries the color palette of three-dimensional graphs.

<b>Conditions</b>	Measurement views: Spectrogram
<b>Group</b>	Sense commands
<b>Syntax</b>	[SENSe]:SGRam:COLor { RED   GREen   BLUe   CYAN   BCyan   YELLOW   MAGenta   GRAY   TEMPerature   SPECTra } [SENSe]:SGRam:COLor?
<b>Arguments</b>	The following table lists the arguments.

**Table 2-44: Color palette for spectrogram**

Argument	Palette
RED	Red
GREen	Green
BLUe	Blue
CYAN	Cyan

Table 2-44: Color palette for spectrogram (cont.)

Argument	Palette
BCYan	Binary cyan
YELLow	Yellow
MAGenta	Magenta
GRAY	Gray
TEMPerature	Temperature
SPECTral	Spectral

**Examples**    `SENSE:SGRAM:COLOR TEMPerature` selects the temperature color palette.

## [SENSE]:SGRam:COLor:MAXimum

Sets or queries the maximum value of the color axis in the spectrogram.

**Conditions**    Measurement views: Spectrogram

**Group**    Sense commands

**Syntax**    `[SENSE]:SGRam:COLor:MAXimum <value>`  
`[SENSE]:SGRam:COLor:MAXimum?`

**Related Commands**    [\[SENSE\]:SGRam:COLor:MINimum](#)

**Arguments**    `<value> :: <NRF>` specifies the maximum value of the color axis.  
 Range: -100 to +100 dBm.

**Examples**    `SENSE:SGRAM:COLOR:MAXIMUM 10` sets the maximum value of the color axis to 10 dBm.

## [SENSE]:SGRam:COLor:MINimum

Sets or queries the minimum value of the color axis in the spectrogram.

**Conditions**    Measurement views: Spectrogram

<b>Group</b>	Sense commands
<b>Syntax</b>	[SENSe]:SGRam:COLor:MINimum <value> [SENSe]:SGRam:COLor:MINimum?
<b>Related Commands</b>	[SENSe]:SGRam:COLor:MAXimum
<b>Arguments</b>	<value> :: <NRf> specifies the minimum value of the color axis. Range: -100 to +100 dBm.
<b>Examples</b>	SENSE:SGRAM:COLOR:MINIMUM 10 sets the minimum value of the color axis to 10 dBm.

## [SENSe]:SGRam:FFT:WINDow

Sets or queries the FFT window in the spectrogram. This command is equivalent to [SENSe]:SGRam:FILTer[:SHAPE].

<b>Conditions</b>	Measurement views: Spectrogram
<b>Group</b>	Sense commands
<b>Syntax</b>	[SENSe]:SGRam:FFT:WINDow { KAISer   MIL6db   CISPr   BH4B   UNIFORM   FLATtop   HANNing } [SENSe]:SGRam:FFT:WINDow?
<b>Arguments</b>	KAISer selects the Kaiser (RBW) window. MIL6db selects the -6 dB RBW (MIL) window. CISPr selects the CISPR window. FLATtop selects the flat-top window. HANNing selects the Hanning window. BH4B selects the Blackman-Harris 4B type window. UNIFORM selects the uniform window.
<b>Examples</b>	SENSE:SGRAM:FFT:WINDOW HANNing selects the Hanning window.

## [SENSe]:SGRam:FILTer[:SHAPE]

Sets or queries the filter shape in the spectrogram. This command is equivalent to [\[SENSe\]:SGRam:FFT:WINDow](#).

<b>Conditions</b>	Measurement views: Spectrogram
<b>Group</b>	Sense commands
<b>Syntax</b>	[SENSe]:SGRam:FILTer[:SHAPE] { KAISer   MIL6db   CISPr   BH4B   UNIFORM   FLATtop   HANNing } [SENSe]:SGRam:FILTer[:SHAPE]?
<b>Arguments</b>	KAISer selects the Kaiser (RBW) window. MIL6db selects the -6 dB RBW (MIL) window. CISPr selects the CISPR window. FLATtop selects the flat-top window. HANNing selects the Hanning window. BH4B selects the Blackman-Harris 4B type window. UNIFORM selects the uniform window.
<b>Examples</b>	SENSe:SGRAM:FILTER:SHAPE HANNing selects the Hanning window.

## [SENSe]:SGRam:FREQUency:CENTer

Sets or queries the center frequency in the spectrogram.

---

**NOTE.** *The center, start and stop frequencies are set interlocking each other with the following relationships: (start frequency) = (center frequency) - (span)/2 and (stop frequency) = (center frequency) + (span)/2.*

---

<b>Conditions</b>	Measurement views: Spectrogram
<b>Group</b>	Sense commands
<b>Syntax</b>	[SENSe]:SGRam:FREQUency:CENTer <value> [SENSe]:SGRam:FREQUency:CENTer?

**Related Commands** [\[SENSe\]:SGRam:FREQuency:START](#), [\[SENSe\]:SGRam:FREQuency:STOP](#)

**Arguments** <value> :: <NRf> specifies the center frequency.  
Range: 0 Hz to 6.2 GHz (RSA6106A) / 14 GHz (RSA6114A).

**Examples** SENSE:SGRAM:FREQUENCY:CENTER 7.5GHZ sets the center frequency to 7.5 GHz.

## [SENSe]:SGRam:FREQuency:SPAN

Sets or queries the frequency span in the spectrogram.

**Conditions** Measurement views: Spectrogram

**Group** Sense commands

**Syntax** [SENSe]:SGRam:FREQuency:SPAN <value>  
[SENSe]:SGRam:FREQuency:SPAN?

**Arguments** <value> :: <NRf> specifies the frequency span.  
Range: 10 Hz to 6.2 GHz (RSA6106A) / 14 GHz (RSA6114A).

**Examples** SENSE:SGRAM:FREQUENCY:SPAN 20MHZ sets the span to 20 MHz.

## [SENSe]:SGRam:FREQuency:SPAN:BANDwidth[:RESolution]:RATio

Sets or queries the ratio of span to RBW (Resolution Bandwidth) in the spectrogram. This command is valid when [\[SENSe\]:SGRam:{BANDwidth|BWIDTH}\[:RESolution\]:AUTO](#) is set to On.

**Conditions** Measurement views: Spectrogram

**Group** Sense commands

**Syntax** [SENSe]:SGRam:FREQuency:SPAN:BANDwidth[:RESolution]:RATio  
<value>  
[SENSe]:SGRam:FREQuency:SPAN:BANDwidth[:RESolution]:RATio?

**Arguments** <value> :: <NRf> specifies the ratio of span to RBW. Range: 20 to 1000.  
Programming a specified ratio sets the RBW (= span/ratio), which is rounded down to the nearest valid value.

**Examples** SENSE:SGRAM:FREQUENCY:SPAN:BANDWIDTH:RESOLUTION:RATIO 200 sets the ratio to 200, setting the RBW to 200 kHz for the span of 40 MHz.

## [SENSe]:SGRam:FREQUENCY:SPAN:MAXimum (No Query Form)

Sets the frequency range to the maximum real-time span in the spectrogram.

**Conditions** Measurement views: Spectrogram

**Group** Sense commands

**Syntax** [SENSe]:SGRam:FREQUENCY:SPAN:MAXimum <value>

**Arguments** None

**Examples** SENSE:SGRAM:FREQUENCY:SPAN:MAXIMUM sets the frequency range to the maximum real-time span.

## [SENSe]:SGRam:FREQUENCY:START

Sets or queries the measurement start frequency (left edge of the graph) in the spectrogram.

The center, start and stop frequencies are set interlocking each other. Refer to the [\[SENSe\]:SGRam:FREQUENCY:CENTer](#) command.

**Conditions** Measurement views: Spectrogram

**Group** Sense commands

**Syntax** [SENSe]:SGRam:FREQUENCY:START <value>  
[SENSe]:SGRam:FREQUENCY:START?

**Related Commands** [\[SENSe\]:SGRam:FREQUENCY:STOP](#)

**Arguments** <value> :: <Nrf> is the measurement start frequency.  
Range: (center frequency) ± (span)/2.

**Examples** SENSE:SGRAM:FREQUENCY:START 6.95GHZ sets the start frequency to 6.95 GHz.

## [SENSe]:SGRam:FREQuency:STEP

Sets or queries the frequency step size. Programming a specified step size sets [SENSe]:SGRam:FREQuency:STEP:AUTO OFF.

**Conditions** Measurement views: Spectrogram

**Group** Sense commands

**Syntax** [SENSe]:SGRam:FREQuency:STEP <value>  
[SENSe]:SGRam:FREQuency:STEP?

**Related Commands** [\[SENSe\]:SGRam:FREQuency:STEP:AUTO](#)

**Arguments** <value> :: <Nrf> specifies the frequency step size.  
Range: 0 to 6.2 GHz (RSA6106A) / 14 GHz (RSA6114A).

**Examples** SENSE:SGRAM:FREQUENCY:STEP 1kHz sets the frequency step size to 1 kHz.

## [SENSe]:SGRam:FREQuency:STEP:AUTO

Determines whether to set the frequency step size automatically or manually in the spectrogram.

**Conditions** Measurement views: Spectrogram

**Group** Sense commands

**Syntax** [SENSe]:SGRam:FREQuency:STEP:AUTO { OFF | ON | 0 | 1 }  
[SENSe]:SGRam:FREQuency:STEP:AUTO?



- Arguments** OFF or 0 specifies that the frequency step size is set manually using the [\[SENSe\]:SGRam:FREQUENCY:STEP](#) command.
- ON or 1 specifies that the frequency step size is set automatically.
- Examples** `SENSE:SGRAM:FREQUENCY:STEP:AUTO ON` specifies that the frequency step size is set automatically.

## [SENSe]:SGRam:FREQUENCY:STOP

Sets or queries the measurement stop frequency (right edge of the graph) in the spectrogram.

The center, start and stop frequencies are set interlocking each other. Refer to the [\[SENSe\]:SGRam:FREQUENCY:CENTer](#) command.

- Conditions** Measurement views: Spectrogram
- Group** Sense commands
- Syntax** `[SENSe]:SGRam:FREQUENCY:STOP <value>`  
`[SENSe]:SGRam:FREQUENCY:STOP?`

**Related Commands** [\[SENSe\]:SGRam:FREQUENCY:START](#)

- Arguments** `<value> :: <Nrf>` is the measurement start frequency.  
 Range: (center frequency)  $\pm$  (span)/2.
- Examples** `SENSE:SGRAM:FREQUENCY:STOP 7.05GHZ` sets the stop frequency to 7.05 GHz.

## [SENSe]:SGRam:TIME[:SCALE]:MODE

Sets or queries the vertical mode.

- Conditions** Measurement views: Spectrogram
- Group** Sense commands

**Syntax** [SENSe]:SGRam:TIME[:SCALE]:MODE {NORMal | MONitor}  
 [SENSe]:SGRam:TIME[:SCALE]:MODE?

**Examples** SENSE:SGRAM:TIME:SCALE:MODE MONITOR set the instrument to Spectrum Monitor mode.

## [SENSe]:SGRam:TIME[:SCALE]:OVERlap:PERCent

Sets or queries the Overlap in percent. Note that changing this value may change the time per division [DISPlay:SGRam:TIME:SCALE:PER:DIVision](#) value.

**Conditions** Measurement views: Spectrogram

**Group** Sense commands

**Syntax** [SENSe]:SGRam:TIME[:SCALE]:OVERlap:PERCent  
 [SENSe]:SGRam:TIME[:SCALE]:OVERlap:PERCent

**Arguments** <value> :: <NRF> specifies the overlap in percent.

**Examples** SENSE:SGRAM:TIME:SCALE:OVERLAP:PERCENT 1.0E1 sets the overlap to 10%.

## [SENSe]:SGRam:TIME[:SCALE]:PER:DIVision

Sets or queries the vertical Time/division value. Note that changing this value may change the [DISPlay:SGRam:TIME:OVERlap:PERCent](#) value.

**Conditions** Measurement views: Spectrogram

**Group** Sense commands

**Syntax** [SENSe]:SGRam:TIME[:SCALE]:PER:DIVision <value>  
 [SENSe]:SGRam:TIME[:SCALE]:PER:DIVision?

**Related Commands** [DISPlay:SGRam:TIME:OVERlap:PERCent](#)

**Arguments** <value> :: <Nrf> specifies the time per division in seconds.

**Examples** SENSE:SGRAM:TIME:SCALE:PER:DIVISION? might return  
1.116000000E-3.

## [SENSE]:SGRAM:TIME[:SCALE]:PER:UPDATE:MINUTES

Sets or queries the Spectrum Monitor mode Time/Update value for minutes.

**Conditions** Measurement views: Spectrogram

**Group** Sense commands

**Syntax** [SENSE]:SGRAM:TIME[:SCALE]:PER:UPDATE:MINUTES <value>  
[SENSE]:SGRAM:TIME[:SCALE]:PER:UPDATE:MINUTES?

**Arguments** <value> :: <Nrf> sets the time/update value in minutes.

**Examples** SENSE:SGRAM:TIME:SCALE:PER:UPDATE:MINUTES 1E1 sets the Time/update  
minutes value to 10.

## [SENSE]:SGRAM:TIME[:SCALE]:PER:UPDATE:SECONDS

Sets or queries the Spectrum Monitor mode Time/Update value for seconds.

**Conditions** Measurement views: Spectrogram

**Group** Sense commands

**Syntax** [SENSE]:SGRAM:TIME[:SCALE]:PER:UPDATE:SECONDS <value>  
[SENSE]:SGRAM:TIME[:SCALE]:PER:UPDATE:SECONDS?

**Arguments** <value> :: <Nrf> sets the time/update value in minutes.

**Examples** SENSE:SGRAM:TIME:SCALE:PER:UPDATE:SECONDS 1E1 sets the Time/update  
seconds value to 10.

## [SENSE]:SGRam:TIME[:SCALE]:SPECTrums:PERLine? (Query Only)

Queries the Spectrums/Line value.

<b>Conditions</b>	Measurement views: Spectrogram
<b>Group</b>	Sense commands
<b>Syntax</b>	[SENSE]:SGRam:TIME[:SCALE]:SPECTrums:PERLine?
<b>Examples</b>	SENSE:SGRAM:TIME:SCALE:SPECTRUMS:PERLINE? might return a 1.0000000000 as a response.

## [SENSE]:SGRam:TIME[:SCALE]:START:DIVisions

Sets or queries the Vertical offset or Position in divisions.

<b>Conditions</b>	Measurement views: Spectrogram
<b>Group</b>	Sense commands
<b>Syntax</b>	[SENSE]:SGRam:TIME[:SCALE]:START:DIVisions <value> [SENSE]:SGRam:TIME[:SCALE]:START:DIVisions?
<b>Arguments</b>	<value> :: <Nrf> sets the vertical offset value in divisions. Range is -130,000 to +130,000.
<b>Examples</b>	SENSE:SGRAM:TIME:OFFSET:DIVISIONS 10 sets the vertical offset to 10 divisions

## [SENSE]:SGRam:WATERfall:ENABLE

Sets or queries the Waterfall (3-D spectrogram) display.

<b>Conditions</b>	Measurement views: Spectrogram
<b>Group</b>	Sense commands

<b>Syntax</b>	<code>[SENSE]:SGRam:WATERfall:ENABle { OFF   ON   0   1 }</code> <code>[SENSE]:SGRam:WATERfall:ENABle?</code>
<b>Arguments</b>	OFF or 0 disables the Waterfall display. ON or 1 enables the Waterfall display.
<b>Examples</b>	<code>SENSE:SGRAM:WATERFALL:ENABLE ON</code> enables the 3-D Waterfall display.

## [SENSE]:SGRam:WATERfall:DIRection

Sets or queries the direction of the Waterfall (3-D spectrogram) display.

<b>Conditions</b>	Measurement views: Spectrogram
<b>Group</b>	Sense commands
<b>Syntax</b>	<code>[SENSE]:SGRam:WATERfall:DIRection { NW   NE }</code> <code>[SENSE]:SGRam:WATERfall:DIRection?</code>
<b>Arguments</b>	NW sets the display direction to northwest. NE sets the display direction to northeast.
<b>Examples</b>	<code>SENSE:SGRAM:WATERFALL:DIRECTION NW</code> sets the waterfall display direction to northwest.

## [SENSE]:SGRam:WATERfall:Y:AUTO (No Query Form)

Rescales the height axis automatically to fit the waveform to the screen in the 3-D Waterfall display.

<b>Conditions</b>	Measurement views: Spectrogram
<b>Group</b>	Sense commands
<b>Syntax</b>	<code>[SENSE]:SGRam:WATERfall:Y:AUTO</code>

**Arguments** None

**Examples** `SENSE:SGRAM:WATERFALL:Y:AUTO` rescales the height scale automatically to fit the waveform to the 3-D Waterfall display.

## **[SENSe]:SGRam:WATERfall:Y:OFFSet**

Sets or queries the height offset (the value at the top edge of the vertical axis) of the 3-D Waterfall display.

**Conditions** Measurement views: Spectrogram

**Group** Sense commands

**Syntax** `[SENSe]:SGRam:WATERfall:Y:OFFSet <value>`  
`[SENSe]:SGRam:WATERfall:Y:OFFSet?`

**Arguments** `<value> :: <Nrf>` specifies the height (vertical) offset. Range: -270 to +150 dBm.

**Examples** `SENSE:SGRAM:WATERFALL:Y:OFFSET 12.5` sets the offset to 12.5 dB in the 3-D Waterfall display.

## **[SENSe]:SGRam:WATERfall:Y:RESet (No Query Form)**

Resets the height scale of the 3-D Waterfall display to the default values: Height position= 0 dB and Height scale = 100 dB

**Conditions** Measurement views: Spectrogram

**Group** Sense commands

**Syntax** `[SENSe]:SGRam:WATERfall:Y:RESet`

**Arguments** None

**Examples**     `SENSE:SGRAM:WATERFALL:Y:AUTO` rescales the height scale automatically to fit the waveform to the 3-D Waterfall display.

## [SENSE]:SGRam:WATERfall:Y[:SCALE]

Sets or queries the height (vertical) range of the Waterfall (3-D spectrogram) display.

**Conditions**     Measurement views: Spectrogram

**Group**            Sense commands

**Syntax**           `[SENSE]:SGRam:WATERfall:Y[:SCALE] <value>`  
`[SENSE]:SGRam:WATERfall:Y[:SCALE]?`

**Arguments**     `<value> :: <Nrf>` specifies the vertical range. Range: 0.1 to 200 dB. The amplitude unit is set by the `[SENSE]:POWER:UNITs` command.

You can omit the unit in the argument. When you include the unit in the argument, only dB is available. For the amplitude units Watts, Volts, and Amps, omit the unit in the argument.

**Examples**     `SENSE:SGRAM:WATERFALL:Y:SCALE 100dB` sets the height range to 100 dB in the 3-D Waterfall display.

## [SENSE]:SPECtrum:{BANDwidth|BWIDth}[:RESolution]

Sets or queries the resolution bandwidth (RBW). Programming a specified RBW sets `[SENSE]:SPECtrum:{BANDwidth|BWIDth}[:RESolution]:AUTO OFF`.

**Conditions**     Measurement views: Spectrum

**Group**            Sense commands

**Syntax**           `[SENSE]:SPECtrum:{BANDwidth|BWIDth}[:RESolution] <value>`  
`[SENSE]:SPECtrum:{BANDwidth|BWIDth}[:RESolution]?`

**Related Commands**     `[SENSE]:SPECtrum:{BANDwidth|BWIDth}[:RESolution]:AUTO`

**Arguments** <value> :: <Nrf> specifies the RBW. Range: 1 Hz to 10 MHz.

**Examples** SENSE:SPECTRUM:BANDWIDTH:RESOLUTION 200kHz sets the RBW to 200 kHz.

## [SENSe]:SPECTrum:{BANDwidth|BWIDth}[:RESolution]:ACTual? (Query Only)

Queries the actual resolution bandwidth (RBW) in the spectrum measurement.

**Conditions** Measurement views: Spectrum

**Group** Sense commands

**Syntax** [SENSe]:SPECTrum:{BANDwidth|BWIDth}[:RESolution]:ACTual?

**Arguments** None

**Returns** <Nrf> The actual RBW in Hz.

**Examples** SENSE:SPECTRUM:BANDWIDTH:RESOLUTION:ACTUAL? might return 299.624E+3, indicating that the actual RBW is 299.624 kHz.

## [SENSe]:SPECTrum:{BANDwidth|BWIDth}[:RESolution]:AUTO

Determines whether to set the resolution bandwidth (RBW) automatically or manually in the spectrum measurement.

**Conditions** Measurement views: Spectrum

**Group** Sense commands

**Syntax** [SENSe]:SPECTrum:{BANDwidth|BWIDth}[:RESolution]:AUTO { OFF | ON | 0 | 1 }  
[SENSe]:SPECTrum:{BANDwidth|BWIDth}[:RESolution]:AUTO?

**Arguments** OFF or 0 specifies that the resolution bandwidth is set manually using the [SENSe]:SPECTrum:{BANDwidth|BWIDth}[:RESolution] command.



ON or 1 specifies that the resolution bandwidth is set automatically.

**Examples** SENSE:SPECTRUM:BANDWIDTH:RESOLUTION:AUTO ON sets the resolution bandwidth automatically.

## [SENSE]:SPECTrum:{BANDwidth|BWIDth}[:RESolution]:MODE

Determines whether to enable or disable the RBW process.

**Conditions** Measurement views: Spectrum

**Group** Sense commands

**Syntax** [SENSE]:SPECTrum:{BANDwidth|BWIDth}[:RESolution]:MODE { OFF  
| ON | 0 | 1 }  
[SENSE]:SPECTrum:{BANDwidth|BWIDth}[:RESolution]:MODE?

**Arguments** OFF or 0 disables the RBW process. You can select the FFT window using the [SENSE]:SPECTrum:FFT:WINDow command.

ON or 1 enables the RBW process. Refer to the [SENSE]:SPECTrum:{BANDwidth|BWIDth}[:RESolution] command to set the RBW.

**Examples** SENSE:SPECTRUM:BANDWIDTH:RESOLUTION:MODE ON enables the RBW process.

## [SENSE]:SPECTrum:{BANDwidth|BWIDth}:VIDeo

Sets or queries the video bandwidth (VBW). Programming a specified VBW sets [SENSE]:SPECTrum{BANDwidth|BWIDth}:VIDeo:STATe OFF.

**Conditions** Measurement views: Spectrum

**Group** Sense commands

**Syntax** [SENSE]:SPECTrum:{BANDwidth|BWIDth}:VIDeo <value>  
[SENSE]:SPECTrum:{BANDwidth|BWIDth}:VIDeo?

**Arguments** <value> :: <NRf> specifies the VBW.  
Range: Current RBW/10<sup>4</sup> (1 Hz minimum) to Current RBW.

**Examples** SENSE:SPECTRUM:BANDWIDTH:VIDEO 200kHz sets the VBW to 200 kHz.

## [SENSe]:SPECTrum:{BANDwidth|BWIDth}:VIDeo:STATe

Determines whether to enable or disable the video bandwidth (VBW) in the spectrum measurement.

**Conditions** Measurement views: Spectrum

**Group** Sense commands

**Syntax** [SENSe]:SPECTrum:{BANDwidth|BWIDth}:VIDeo:STATe { OFF | ON  
| 0 | 1 }  
[SENSe]:SPECTrum:{BANDwidth|BWIDth}:VIDeo:STATe?

**Arguments** OFF or 0 disables the VBW.  
ON or 1 enables the VBW.

**Examples** SENSE:SPECTRUM:BANDWIDTH:VIDEO:STATE ON enables the VBW.

## [SENSe]:SPECTrum:CLEar:RESuLts (No Query Form)

Restarts multi-trace functions (Average and Max/Min Hold).

**Conditions** Measurement views: Spectrum

**Group** Sense commands

**Syntax** [SENSe]:SPECTrum:CLEar:RESuLts

**Arguments** None

**Examples** SENSE:SPECTRUM:CLEAR:RESULTS restarts multi-trace functions.

## [SENSe]:SPECtrum:FFT:WINDow

Sets or queries the FFT window in the spectrum measurement. This command is equivalent to [\[SENSe\]:SPECtrum:FILTer\[:SHAPE\]](#).

<b>Conditions</b>	Measurement views: Spectrum
<b>Group</b>	Sense commands
<b>Syntax</b>	<code>[SENSe]:SPECtrum:FFT:WINDow { KAISer   MIL6db   CISPr   BH4B   UNIFORM   FLATtop   HANNing }</code> <code>[SENSe]:SPECtrum:FFT:WINDow?</code>
<b>Arguments</b>	<p>KAISer selects the Kaiser (RBW) window.</p> <p>MIL6db selects the -6 dB RBW (MIL) window.</p> <p>CISPr selects the CISPR window.</p> <p>BH4B selects the Blackman-Harris 4B type window.</p> <p>UNIFORM selects the uniform window.</p> <p>FLATtop selects the flat-top window.</p> <p>HANNing selects the Hanning window.</p>
<b>Examples</b>	<code>SENSE:SPECTRUM:FFT:WINDOW HANNing</code> selects the Hanning window.

## [SENSe]:SPECtrum:FILTer[:SHAPE]

Sets or queries the filter shape in the spectrum measurement. This command is equivalent to [\[SENSe\]:SPECtrum:FFT:WINDow](#).

<b>Conditions</b>	Measurement views: Spectrum
<b>Group</b>	Sense commands
<b>Syntax</b>	<code>[SENSe]:SPECtrum:FILTer[:SHAPE] { KAISer   MIL6db   CISPr   BH4B   UNIFORM   FLATtop   HANNing }</code> <code>[SENSe]:SPECtrum:FILTer[:SHAPE]?</code>

**Arguments**    **KAISer** selects the Kaiser (RBW) window.  
**MIL6db** selects the -6 dB RBW (MIL) window.  
**CISPR** selects the CISPR window.  
**BH4B** selects the Blackman-Harris 4B type window.  
**UNIFORM** selects the uniform window.  
**FLATtop** selects the flat-top window.  
**HANNing** selects the Hanning window.

**Examples**    **SENSE:SPECTRUM:FILTER:SHAPE HANNing** selects the Hanning window.

## [SENSe]:SPECTrum:FREQuency:CENTer

Sets or queries the center frequency in the spectrum measurement.

---

**NOTE.** *The center, start and stop frequencies are set interlocking each other with the following relationships: (start frequency) = (center frequency) - (span)/2 and (stop frequency) = (center frequency) + (span)/2.*

---

**Conditions**    Measurement views: Spectrum

**Group**    Sense commands

**Syntax**    [SENSe]:SPECTrum:FREQuency:CENTer <value>  
[SENSe]:SPECTrum:FREQuency:CENTer?

**Related Commands**    [SENSe]:SPECTrum:FREQuency:START, [SENSe]:SPECTrum:FREQuency:STOP

**Arguments**    <value> :: <NRF> specifies the center frequency.  
Range: 0 Hz to 6.2 GHz (RSA6106A) / 14 GHz (RSA6114A).

**Examples**    **SENSE:SPECTRUM:FREQUENCY:CENTER 7.5GHZ** sets the center frequency to 7.5 GHz.

## [SENSe]:SPECtrum:FREQuency:SPAN

Sets or queries the frequency span in the spectrum measurement.

<b>Conditions</b>	Measurement views: Spectrum
<b>Group</b>	Sense commands
<b>Syntax</b>	[SENSe]:SPECtrum:FREQuency:SPAN <value> [SENSe]:SPECtrum:FREQuency:SPAN?
<b>Arguments</b>	<value> :: <Nrf> specifies the frequency span. Range: 10 Hz to 6.2 GHz (RSA6106A) / 14 GHz (RSA6114A).
<b>Examples</b>	SENSE:SPECTRUM:FREQUENCY:SPAN 20MHZ sets the span to 20 MHz.

## [SENSe]:SPECtrum:FREQuency:SPAN:BANDwidth[:RESolution]:RATio

Sets or queries the ratio of span to RBW (Resolution Bandwidth) in the spectrum measurement. This command is valid when [\[SENSe\]:SPECtrum:{BANDwidth|BWIDth}\[:RESolution\]:AUTO](#) is set to On.

<b>Conditions</b>	Measurement views: Spectrum
<b>Group</b>	Sense commands
<b>Syntax</b>	[SENSe]:SPECtrum:FREQuency:SPAN:BANDwidth[:RESolution]:RATio <value> [SENSe]:SPECtrum:FREQuency:SPAN:BANDwidth[:RESolution]: RATio?
<b>Arguments</b>	<value> :: <Nrf> specifies the ratio of span to RBW. Range: 20 to 1000.  Programming a specified ratio sets the RBW (= span/ratio), which is rounded down to the nearest valid value.
<b>Examples</b>	SENSE:SPECTRUM:FREQUENCY:SPAN:BANDWIDTH:RESOLUTION:RATIO 200 sets the ratio to 200, setting the RBW to 200 kHz for the span of 40 MHz.

## [SENSe]:SPECTrum:FREQuency:START

Sets or queries the measurement start frequency (left edge on the graph) in the spectrum measurement.

The center, start and stop frequencies are set interlocking each other. Refer to the [\[SENSe\]:SPECTrum:FREQuency:CENTer](#) command.

<b>Conditions</b>	Measurement views: Spectrum
<b>Group</b>	Sense commands
<b>Syntax</b>	[SENSe]:SPECTrum:FREQuency:START <value> [SENSe]:SPECTrum:FREQuency:START?
<b>Related Commands</b>	<a href="#">[SENSe]:SPECTrum:FREQuency:STOP</a>
<b>Arguments</b>	<value> :: <NRF> is the measurement start frequency. Range: (center frequency) $\pm$ (span)/2.
<b>Examples</b>	SENSE:SPECTRUM:FREQUENCY:START 6.95GHZ sets the start frequency to 6.95 GHz.

## [SENSe]:SPECTrum:FREQuency:STEP

Sets or queries the frequency step size (the amount per press by which the up or down key changes the setting value). Programming a specified step size sets [SENSe]:SPECTrum:FREQuency:STEP:AUTO OFF.

<b>Conditions</b>	Measurement views: Spectrum
<b>Group</b>	Sense commands
<b>Syntax</b>	[SENSe]:SPECTrum:FREQuency:STEP <value> [SENSe]:SPECTrum:FREQuency:STEP?
<b>Related Commands</b>	<a href="#">[SENSe]:SPECTrum:FREQuency:STEP:AUTO</a>

**Arguments** <value> :: <Nrf> specifies the frequency step size.  
Range: 0 Hz to 6.2 GHz (RSA6106A) / 14 GHz (RSA6114A).

**Examples** SENSE:SPECTRUM:FREQUENCY:STEP 1.5kHz sets the step size to 1.5 kHz.

## [SENSe]:SPECtrum:FREQuency:STEP:AUTO

Determines whether to set the frequency step size automatically or manually.

**Conditions** Measurement views: Spectrum

**Group** Sense commands

**Syntax** [SENSe]:SPECtrum:FREQuency:STEP:AUTO { OFF | ON | 0 | 1 }  
[SENSe]:SPECtrum:FREQuency:STEP:AUTO?

**Arguments** OFF or 0 specifies that the frequency step size is set manually using the [\[SENSe\]:SPECtrum:FREQuency:STEP](#) command.

ON or 1 specifies that the frequency step size is set automatically.

**Examples** SENSE:SPECTRUM:FREQUENCY:STEP:AUTO ON sets the frequency step size automatically.

## [SENSe]:SPECtrum:FREQuency:STOP

Sets or queries the measurement stop frequency (right edge on the graph) in the spectrum measurement.

The center, start and stop frequencies are set interlocking each other. Refer to the [\[SENSe\]:SPECtrum:FREQuency:CENTer](#) command.

**Conditions** Measurement views: Spectrum

**Group** Sense commands

**Syntax** [SENSe]:SPECtrum:FREQuency:STOP <value>  
[SENSe]:SPECtrum:FREQuency:STOP?

**Related Commands**    [\[SENSe\]:SPECTrum:FREQuency:START](#)

**Arguments**    <value> :: <Nrf> is the measurement start frequency.  
Range: (center frequency) ± (span)/2.

**Examples**    SENSE:SPECTRUM:FREQUENCY:STOP 7.05GHZ sets the stop frequency to 7.05 GHz.

## [SENSe]:SPECTrum:LENGth

Sets or queries the spectrum length when [\[SENSe\]:SPECTrum:TIME:MODE](#) is INDepeNdeNt. Programming a specified length sets [\[SENSe\]:SPECTrum:LENGth:AUTO](#) OFF.

**Conditions**    Measurement views: All

**Group**    Sense commands

**Syntax**    [\[SENSe\]:SPECTrum:LENGth <value>](#)  
[\[SENSe\]:SPECTrum:LENGth?](#)

**Related Commands**    [\[SENSe\]:SPECTrum:LENGth:AUTO](#), [\[SENSe\]:SPECTrum:START](#)

**Arguments**    <value> :: <Nrf> specifies the spectrum length.  
Range: 0 to [(acquisition length) - (spectrum start)].  
  
If [(spectrum start) + (spectrum length)] > (acquisition length), the actual spectrum length is reduced to the acquisition length.

**Examples**    SENSE:SPECTRUM:LENGTH 38.5us sets the spectrum length to 38.5 μs.

## [SENSe]:SPECTrum:LENGth:ACTual? (Query Only)

Queries the actual spectrum length.

**Conditions**    Measurement views: All

**Group**    Sense commands



---

<b>Syntax</b>	<code>[SENSe]:SPECTrum:LENGth:ACTua]?</code>
<b>Arguments</b>	None
<b>Returns</b>	<Nrf> Actual spectrum length in seconds.
<b>Examples</b>	<code>SENSE:SPECTRUM:LENGTH:ACTUAL?</code> might return <code>6.337E-6</code> , indicating that the actual spectrum length is 6.337 $\mu$ s.

## `[SENSe]:SPECTrum:LENGth:AUTO`

Sets or queries the spectrum length mode (automatic or manual) when `[SENSe]:SPECTrum:TIME:MODE` is INDependent.

<b>Conditions</b>	Measurement views: All
<b>Group</b>	Sense commands
<b>Syntax</b>	<code>[SENSe]:SPECTrum:LENGth:AUTO { OFF   ON   0   1 }</code> <code>[SENSe]:SPECTrum:LENGth:AUTO?</code>
<b>Arguments</b>	OFF or 0 sets the spectrum length manually, using the <code>[SENSe]:SPECTrum:LENGth</code> command.  ON or 1 sets the spectrum length automatically.
<b>Examples</b>	<code>SENSE:SPECTRUM:LENGTH:AUTO ON</code> sets the spectrum length automatically.

## `[SENSe]:SPECTrum:MAX:SPAN (No Query Form)`

Sets the frequency span to the maximum full span instead of the maximum real-time span. For the RSA6106A Real-Time Spectrum Analyzer that is 6.2 GHz and for the / RSA6114A Real-Time Spectrum Analyzer that is 14 GHz.

<b>Conditions</b>	Measurement views: Spectrum
<b>Group</b>	Sense commands

**Syntax** [SENSE]:SPECTrum:MAX:SPAN

**Arguments** None

**Examples** SENSE:SPECTRUM:MAX:SPAN sets the frequency span to the maximum span.

## [SENSE]:SPECTrum:POINTs:COUNT

Sets or queries the number of sample points on the signal spectrum.

**Conditions** Measurement views: Spectrum

**Group** Sense commands

**Syntax** [SENSE]:SPECTrum:POINTs:COUNT { P801 | P2401 | P4001 | P8001  
| P10401 }  
[SENSE]:SPECTrum:POINTs:COUNT?

**Arguments** P801 sets the number of sample points to 801.  
P2401 sets the number of sample points to 2401.  
P4001 sets the number of sample points to 4001.  
P8001 sets the number of sample points to 8001.  
P10401 sets the number of sample points to 10401.

**Examples** SENSE:SPECTRUM:POINTS:COUNT P801 sets the number of sample points to 801.

## [SENSE]:SPECTrum:STARt

Sets or queries the spectrum offset time when [SENSE]:SPECTrum:TIME:MODE is INDEPENDent.

**Conditions** Measurement views: All

**Group** Sense commands

**Syntax** [SENSe]:SPECTrum:START <value>  
[SENSe]:SPECTrum:START?

**Related Commands** [\[SENSe\]:SPECTrum:LENGth](#)

**Arguments** <value> :: <NRf> specifies the spectrum offset time.  
Range: 0 to the acquisition length.  
If [(spectrum start) + (spectrum length)] > (acquisition length), the actual spectrum length is reduced to the acquisition length.

**Examples** SENSE:SPECTRUM:START 23.5us sets the analysis offset to 23.5  $\mu$ s.

## [SENSe]:SPECTrum:START:AUTO

Sets or queries the spectrum offset mode (automatic or manual) when [\[SENSe\]:SPECTrum:TIME:MODE](#) is INDEPENDent.

**Conditions** Measurement views: All

**Group** Sense commands

**Syntax** [SENSe]:SPECTrum:START:AUTO { OFF | ON | 0 | 1 }  
[SENSe]:SPECTrum:START:AUTO?

**Arguments** OFF or 0 sets the spectrum offset manually.  
ON or 1 sets the spectrum length automatically.

**Examples** SENSE:SPECTRUM:START:AUTO ON sets the spectrum offset automatically.

## [SENSe]:SPECTrum:TIME:MODE

Sets or queries the spectrum time parameter mode (automatic or manual).

**Conditions** Measurement views: All

**Group** Sense commands

**Syntax** [SENSe]:SPECTrum:TIME:MODE { INDEpendent | COMMON }  
[SENSe]:SPECTrum:TIME:MODE?

**Related Commands** [SENSe]:ANALysis commands

**Arguments** INDEpendent sets the spectrum time parameters manually, using the [SENSe]:SPECTrum:STARt and [SENSe]:SPECTrum:LENGth commands.  
COMMON sets the spectrum time parameters automatically using the analysis time settings.

**Examples** SENSE:SPECTRUM:TIME:MODE COMMON sets the spectrum time parameters automatically.

## [SENSe]:SPURious:CARRier:{BANDwidth|BWIDth}

Sets or queries the channel bandwidth for the carrier as power reference. This command is valid when [SENSe]:SPURious:REFerence is set to CARRier.

**Conditions** Measurement views: Spurious

**Group** Sense commands

**Syntax** [SENSe]:SPURious:CARRier:{BANDwidth|BWIDth} <value>  
[SENSe]:SPURious:CARRier:{BANDwidth|BWIDth}?

**Arguments** <value> :: <Nrf> specifies the channel bandwidth.  
Range: 100 Hz to 40 MHz (Standard) / 110 MHz (Option 110).

**Examples** SENSE:SPURIOUS:CARRIER:BANDWIDTH 20MHZ sets the channel bandwidth to 20 MHz.

## [SENSe]:SPURious:CARRier:{BANDwidth|BWIDth}:INTEgration

Sets or queries the integration bandwidth to calculate the carrier power. This command is valid when [SENSe]:SPURious:REFerence is set to CARRier.

**Conditions** Measurement views: Spurious

<b>Group</b>	Sense commands
<b>Syntax</b>	[SENSe]:SPURious:CARRier:{BANDwidth BWIDth}:INTEgration <value> [SENSe]:SPURious:CARRier:{BANDwidth BWIDth}:INTEgration?
<b>Arguments</b>	<value> :: <Nrf> specifies the integration bandwidth. Range: 100 Hz to 40 MHz (Standard) / 110 MHz (Option 110).
<b>Examples</b>	SENSE:SPURIOUS:CARRIER:BANDWIDTH:INTEGRATION 2MHZ sets the integration bandwidth to 2 MHz.

## [SENSe]:SPURious:CARRier:{BANDwidth|BWIDth}[:RESolution]

Sets or queries the resolution bandwidth (RBW) to measure the carrier power. This command is valid when [SENSe]:SPURious:REFerence is set to CARRier. Programming a specified RBW sets [SENSe]:SPURious:CARRier:BANDwidth [RESolution]:AUTO OFF.

<b>Conditions</b>	Measurement views: Spurious
<b>Group</b>	Sense commands
<b>Syntax</b>	[SENSe]:SPURious:CARRier:{BANDwidth BWIDth}[:RESolution] <value> [SENSe]:SPURious:CARRier:{BANDwidth BWIDth}[:RESolution]?
<b>Related Commands</b>	[SENSe]:SPURious:CARRier:{BANDwidth BWIDth}[:RESolution]:AUTO
<b>Arguments</b>	<value> :: <Nrf> specifies the RBW. Range: 1 Hz to 10 MHz.
<b>Examples</b>	SENSE:SPURIOUS:CARRIER:BANDWIDTH:RESOLUTION 200kHz sets the RBW to 200 kHz.

## [SENSE]:SPURious:CARRier:{BANDwidth|BWIDth}[:RESolution]:AUTO

Determines whether to set the resolution bandwidth (RBW) automatically or manually when the power reference is set to carrier ([SENSE]:SPURious:REFerence is set to CARRier) in the Spurious measurement.

<b>Conditions</b>	Measurement views: Spurious
<b>Group</b>	Sense commands
<b>Syntax</b>	[SENSE]:SPURious:CARRier:{BANDwidth BWIDth}[:RESolution]: AUTO { OFF   ON   0   1 } [SENSE]:SPURious:CARRier:{BANDwidth BWIDth}[:RESolution]: AUTO?
<b>Arguments</b>	OFF or 0 specifies that the resolution bandwidth is set manually using the [SENSE]:SPURious:CARRier:{BANDwidth BWIDth}[:RESolution] command.  ON or 1 specifies that the resolution bandwidth is set automatically.
<b>Examples</b>	SENSE:SPURIOUS:CARRIER:BANDWIDTH:RESOLUTION:AUTO ON sets the resolution bandwidth automatically.

## [SENSE]:SPURious:CARRier:DETEction

Sets or queries the carrier detection method. This command is valid when [SENSE]:SPURious:REFerence is set to CARRier.

<b>Conditions</b>	Measurement views: Spurious
<b>Group</b>	Sense commands
<b>Syntax</b>	[SENSE]:SPURious:CARRier:DETEction { AVERAge   PEAK   AVGLog } [SENSE]:SPURious:CARRier:DETEction?
<b>Arguments</b>	AVERAge selects the average detection.  PEAK selects the peak detection.  AVGLog selects the average (of logs) detection.

**Examples**    `SENSE:SPURIOUS:CARRIER:DETECTION PEAK` selects the peak detection.

## [SENSe]:SPURious:CARRier:FREQuency

Sets or queries the carrier frequency in the Spurious measurement. This command is valid when [\[SENSe\]:SPURious:REFeRence](#) is set to CARRier.

**Conditions**    Measurement views: Spurious

**Group**    Sense commands

**Syntax**    `[SENSe]:SPURious:CARRier:FREQuency <value>`  
`[SENSe]:SPURious:CARRier:FREQuency?`

**Arguments**    `<value> :: <Nrf>` specifies the carrier frequency.  
 Range: 0 Hz to 6.2 GHz (RSA6106A) / 14 GHz (RSA6114A).

**Examples**    `SENSE:SPURIOUS:CARRIER:FREQUENCY 7.5GHZ` sets the carrier frequency to 7.5 GHz.

## [SENSe]:SPURious:CARRier:THReshold

Sets or queries the threshold level to detect the carrier in the Spurious measurement. This command is valid when [\[SENSe\]:SPURious:REFeRence](#) is set to CARRier.

**Conditions**    Measurement views: Spurious

**Group**    Sense commands

**Syntax**    `[SENSe]:SPURious:CARRier:THReshold <value>`  
`[SENSe]:SPURious:CARRier:THReshold?`

**Arguments**    `<value> :: <Nrf>` specifies the threshold level above which the input signal is determined to be a carrier. Range: -170 to +50 dBm. The unit can be changed by the [\[SENSe\]:POWER:UNITs](#) or [UNIT:POWER](#) command.

**Examples**    `SENSE:SPURIOUS:CARRIER:THRESHOLD -25` sets the carrier threshold level to -25 dBm.

## **[SENSe]:SPURious:CLEar:RESuLts (No Query Form)**

Restarts multi-trace functions (Average and Max Hold).

**Conditions**    Measurement views: Spurious

**Group**    Sense commands

**Syntax**    `[SENSe]:SPURious:CLEar:RESuLts`

**Arguments**    None

**Examples**    `SENSE:SPURIOUS:CLEAR:RESULTS` restarts multi-trace functions.

## **[SENSe]:SPURious[:FREQuency]:OVERlap? (Query Only)**

Queries whether any of the frequency ranges (A to T) overlap, including the carrier when [\[SENSe\]:SPURious:REFerence](#) is set to CARRier.

---

**NOTE.** *If there are any overlaps between the ranges, the measurement will not run correctly.*

---

**Conditions**    Measurement views: Spurious

**Group**    Sense commands

**Syntax**    `[SENSe]:SPURious[:FREQuency]:OVERlap?`

**Arguments**    None

**Returns**    0 (no overlap) or 1 (overlap).



**Examples** `SENSE:SPURIOUS:FREQUENCY:OVERLAP?` might return 1, indicating that some frequency ranges overlap.

## [SENSe]:SPURious:LIST

Sets or queries how to list the spurious signals in the Spurious measurement.

**Conditions** Measurement views: Spurious

**Group** Sense commands

**Syntax** `[SENSe]:SPURious:LIST { ALL | OVERlimit }`  
`[SENSe]:SPURious:LIST?`

**Arguments** ALL lists all of the detected spurious signals.  
 OVERlimit lists the spurious signals exceeding the limits. Use the `[SENSe]:SPURious:RANGe<x>:LIMit` command group to set the limits.

**Examples** `SENSE:SPURIOUS:LIST ALL` lists all of the detected spurious signals.

## [SENSe]:SPURious:MODE

Sets or queries the frequency range mode in the Spurious measurement.

**Conditions** Measurement views: Spurious

**Group** Sense commands

**Syntax** `[SENSe]:SPURious:MODE { MULTi | SINGle }`  
`[SENSe]:SPURious:MODE?`

**Arguments** MULTi displays all of the ranges that are enabled. Use the `[SENSe]:SPURious:RANGe<x>:STATe` command to enable the range.  
 SINGle displays only the range that the selected spurious signal is in. Use the `DISPlay:SPURious:SElect:NUMBer` command to select the spurious signal.

**Examples** `SENSE:SPURIOUS:MODE MULTi` displays all of the enabled ranges.

## [SENSe]:SPURious:OPTimization

Sets or queries the method of optimizing the gain and input bandwidth in the Spurious measurement.

<b>Conditions</b>	Measurement views: Spurious
<b>Group</b>	Sense commands
<b>Syntax</b>	[SENSe]:SPURious:OPTimization { AUTO   MINTime   MAXDynrange   MINNoise } [SENSe]:SPURious:OPTimization?
<b>Arguments</b>	AUTO optimizes automatically the gain and input bandwidth. MINTime optimizes the gain and input bandwidth to minimize sweep time. MAXDynrange optimizes the gain and input bandwidth to maximize the dynamic range. MINNoise optimizes the gain and input bandwidth to minimize noise.
<b>Examples</b>	SENSE:SPURIOUS:OPTIMIZATION AUTO optimizes automatically the gain and input bandwidth.

## [SENSe]:SPURious:POINTs:COUNT

Sets or queries the number of sample points on the spectrum trace per range in the Spurious measurement.

<b>Conditions</b>	Measurement views: Spurious
<b>Group</b>	Sense commands
<b>Syntax</b>	[SENSe]:SPURious:POINTs:COUNT { P801   P2401   P4001   P8001   P10401 } [SENSe]:SPURious:POINTs:COUNT?
<b>Arguments</b>	P801 sets the trace points to 801 per range. P2401 sets the trace points to 2401 per range. P4001 sets the trace points to 4001 per range.

P8001 sets the trace points to 8001 per range.

P10401 sets the trace points to 10401 per range.

**Examples**    `SENSE:SPURIOUS:POINTS:COUNT P801` sets the trace points to 801 per range.

## [SENSE]:SPURious:RANGe<x>:BANDwidth:VIDeo

Sets or queries the video bandwidth (VBW) in the specified frequency range. Programming a specified VBW sets [SENSE]:SPURious:BANDwidth:VIDeo STATE OFF.

The parameter <x> = 1 to 20, representing Range A to T, respectively.

**Conditions**    Measurement views: Spurious

**Group**        Sense commands

**Syntax**        `[SENSE]:SPURious:RANGe<x>:BANDwidth:VIDeo <value>`  
`[SENSE]:SPURious:RANGe<x>:BANDwidth:VIDeo?`

**Related Commands**    [\[SENSE\]:SPECTrum:{BANDwidth|BWIDTH}:VIDeo:STATe](#)

**Arguments**    `<value> :: <NRf>` specifies the VBW.  
 Range: Current RBW/10<sup>4</sup> (1 Hz minimum) to Current RBW.

**Examples**        `SENSE:SPURIOUS:RANGE1:BANDWIDTH:VIDEO 200kHz` sets the VBW to 200 kHz for Range A.

## [SENSE]:SPURious:RANGe<x>:BANDwidth:VIDeo:STATe

Determines whether to enable or disable the video bandwidth (VBW) in the specified frequency range.

The parameter <x> = 1 to 20, representing Range A to T, respectively.

**Conditions**    Measurement views: Spurious

**Group**        Sense commands

**Syntax** [SENSE]:SPURious:RANGe<x>:BANDwidth:VIDEo:STATe { OFF | ON  
| 0 | 1 }  
[SENSE]:SPURious:RANGe<x>:BANDwidth:VIDEo:STATe?

**Arguments** OFF or 0 disables the VBW.  
ON or 1 enables the VBW.

**Examples** SENSE:SPURIOUS:RANGE1:BANDWIDTH:VIDEO:STATE ON enables the VBW for Range A.

## [SENSE]:SPURious:RANGe<x>:DETEction

Sets or queries the spurious detection method in the specified frequency range.

The parameter <x> = 1 to 20, representing Range A to T, respectively.

**Conditions** Measurement views: Spurious

**Group** Sense commands

**Syntax** [SENSE]:SPURious:RANGe<x>:DETEction { AVERAGE | PEAK |  
QUASipeak | CAVERAGE | CPEAK | AVGLog }  
[SENSE]:SPURious:RANGe<x>:DETEction?

**Arguments** AVERAGE selects the average detection.  
PEAK selects the peak detection.  
QUASipeak selects the quasi-peak detection.  
CAVERAGE selects the CISPR average detection.  
CPEAK selects the CISPR peak detection.  
AVGLog selects the average (of logs) detection.

**Examples** SENSE:SPURIOUS:RANGE1:DETECTION PEAK selects the peak detection for Range A.

## [SENSe]:SPURious:RANGe<x>:EXCURsion

Sets or queries the excursion level (how far down the signal must drop between spurious emissions) in the specified frequency range.

The parameter <x> = 1 to 20, representing Range A to T, respectively.

<b>Conditions</b>	Measurement views: Spurious
<b>Group</b>	Sense commands
<b>Syntax</b>	[SENSe]:SPURious:RANGe<x>:EXCURsion <value> [SENSe]:SPURious:RANGe<x>:EXCURsion?
<b>Arguments</b>	<value> :: <NRF> specifies the excursion level. A signal with amplitude less than the excursion level is considered to be a noise. Range: 1 to 50 dB.
<b>Examples</b>	SENSE:SPURIOUS:RANGE1:EXCURSION 8 sets the excursion level to 8 dB.

## [SENSe]:SPURious:RANGe<x>:FILTer[:SHAPE]

Sets or queries the filter shape to search the specified frequency range for spurious signals.

The parameter <x> = 1 to 20, representing Range A to T, respectively.

<b>Conditions</b>	Measurement views: Spurious
<b>Group</b>	Sense commands
<b>Syntax</b>	[SENSe]:SPURious:RANGe<x>:FILTer[:SHAPE] { RBW   MIL6db   CISPr } [SENSe]:SPURious:RANGe<x>:FILTer[:SHAPE]?
<b>Arguments</b>	RBW selects the RBW filter. MIL6db selects the -6 dB RBW (MIL) filter. CISPr selects the CISPR filter.

**Examples**    `SENSE:SPURIOUS:RANGE1:FILTER:SHAPE CISPr` uses the CISPR filter in Range A.

## **[SENSe]:SPURious:RANGe<x>:FILTer[:SHAPe]:BANDwidth**

Sets or queries the filter bandwidth to search the specified frequency range for spurious signals.

The parameter <x> = 1 to 20, representing Range A to T, respectively.

**Conditions**    Measurement views: Spurious

**Group**    Sense commands

**Syntax**    `[SENSe]:SPURious:RANGe<x>:FILTer[:SHAPe]:BANDwidth <value>`  
`[SENSe]:SPURious:RANGe<x>:FILTer[:SHAPe]:BANDwidth?`

**Arguments**    <value> :: <Nrf> specifies the filter bandwidth.

The setting range varies depending on the center frequency and trace detector when using the CISPR filters and detectors. Otherwise, the bandwidth minimum is a function of the span ( $= (\text{stop frequency}) - (\text{start frequency})$ ) of the range and the maximum is fixed at 5 MHz.

By default, the value is set automatically (`[SENSe]:SPURious:RANGe<x>:FILTer[:SHAPe]:BANDwidth:AUTO` is ON). When the detection is set to CISPR QPk (`[SENSe]:SPURious:RANGe<x>:DETEction` is QUASipeak), only one value is allowed, which is set automatically.

**Examples**    `SENSE:SPURIOUS:RANGE1:FILTER:SHAPE:BANDWIDTH 200kHz` sets the filter bandwidth to 200 kHz for Range A.

## **[SENSe]:SPURious:RANGe<x>:FILTer[:SHAPe]:BANDwidth:AUTO**

Determines whether to set the filter bandwidth automatically or manually for the specified frequency range in the Spurious measurement.

The parameter <x> = 1 to 20, representing Range A to T, respectively.

**Conditions**    Measurement views: Spurious

**Group**    Sense commands

<b>Syntax</b>	<code>[SENSe]:SPURious:RANGe&lt;x&gt;:FILTer[:SHAPE]:BANDwidth:AUTO { OFF   ON   0   1 } [SENSe]:SPURious:RANGe&lt;x&gt;:FILTer[:SHAPE]:BANDwidth:AUTO?</code>
<b>Arguments</b>	OFF or 0 specifies that the filter bandwidth is set manually using the <code>[SENSe]:SPURious:RANGe&lt;x&gt;:FILTer[:SHAPE]:BANDwidth</code> command.  ON or 1 specifies that the filter bandwidth is set automatically.
<b>Examples</b>	<code>SENSE:SPURIOUS:RANGE1:FILTER:SHAPE:BANDWIDTH:AUTO ON</code> sets the filter bandwidth automatically for Range A.

## `[SENSe]:SPURious:RANGe<x>:FREQUency:START`

Sets or queries the start frequency of the specified range in the Spurious measurement.

The parameter `<x>` = 1 to 20, representing Range A to T, respectively.

---

**NOTE.** *The frequency ranges must not be overlapped. Use the `[SENSe]:SPURious[:FREQUency]:OVERlap?` query to check whether there is any overlap.*

---

<b>Conditions</b>	Measurement views: Spurious
<b>Group</b>	Sense commands
<b>Syntax</b>	<code>[SENSe]:SPURious:RANGe&lt;x&gt;:FREQUency:START &lt;value&gt; [SENSe]:SPURious:RANGe&lt;x&gt;:FREQUency:START?</code>
<b>Arguments</b>	<code>&lt;value&gt;</code> :: <code>&lt;Nrf&gt;</code> specifies the start frequency. Range: 0 Hz to 6.2 GHz (RSA6106A) / 14 GHz (RSA6114A).
<b>Examples</b>	<code>SENSE:SPURIOUS:RANGE1:FREQUENCY:START 1.615GHZ</code> sets the start frequency of Range A to 1.615 GHz.

## [SENSe]:SPURious:RANGe<x>:FREQuency:STOP

Sets or queries the stop frequency of the specified range in the Spurious measurement.

The parameter <x> = 1 to 20, representing Range A to T, respectively.

---

**NOTE.** *The frequency ranges must not be overlapped. Use the [\[SENSe\]:SPURious\[:FREQuency\]:OVERlap?](#) query to check whether there is any overlap.*

---

<b>Conditions</b>	Measurement views: Spurious
<b>Group</b>	Sense commands
<b>Syntax</b>	[SENSe]:SPURious:RANGe<x>:FREQuency:STOP <value> [SENSe]:SPURious:RANGe<x>:FREQuency:STOP?
<b>Arguments</b>	<value> :: <Nrf> specifies the stop frequency. Range: 0 Hz to 6.2 GHz (RSA6106A) / 14 GHz (RSA6114A).
<b>Examples</b>	SENSe:SPURIOUS:RANGE1:FREQUENCY:STOP 1.715GHz sets the stop frequency of Range A to 1.715 GHz.

## [SENSe]:SPURious:RANGe<x>:LIMit:ABSolute:START

Sets or queries the absolute amplitude of the limits at the start (left edge) of the specified range in the Spurious measurement. This command is valid when [\[SENSe\]:SPURious:RANGe<x>:LIMit:MASK](#) is set to ABS, AND, or OR.

The parameter <x> = 1 to 20, representing Range A to T, respectively.

<b>Conditions</b>	Measurement views: Spurious
<b>Group</b>	Sense commands
<b>Syntax</b>	[SENSe]:SPURious:RANGe<x>:LIMit:ABSolute:START <value> [SENSe]:SPURious:RANGe<x>:LIMit:ABSolute:START?



**Arguments** <value> :: <Nrf> specifies the absolute start amplitude of the limits. Range: -170 to +50 dBm. The unit can be changed by the [\[SENSe\]:POWer:UNITs](#) or [UNIT:POWer](#) command.

**Examples** `SENSE:SPURIOUS:RANGE1:LIMIT:ABSOLUTE:START -30` sets the absolute start amplitude of the limits for Range A to -30 dBm.

## **[SENSe]:SPURious:RANGe<x>:LIMit:ABSolute:STOP**

Sets or queries the absolute amplitude of the limits at the stop (right edge) of the specified range in the Spurious measurement. This command is valid when [\[SENSe\]:SPURious:RANGe<x>:LIMit:MASK](#) is set to ABS, AND, or OR.

The parameter <x> = 1 to 20, representing Range A to T, respectively.

**Conditions** Measurement views: Spurious

**Group** Sense commands

**Syntax** `[SENSe]:SPURious:RANGe<x>:LIMit:ABSolute:STOP <value>`  
`[SENSe]:SPURious:RANGe<x>:LIMit:ABSolute:STOP?`

**Related Commands** [\[SENSe\]:POWer:UNITs](#), [UNIT:POWer](#)

**Arguments** <value> :: <Nrf> specifies the absolute stop amplitude of the limits. Range: -170 to +50 dBm. The unit can be changed by the [\[SENSe\]:POWer:UNITs](#) or [UNIT:POWer](#) command.

**Examples** `SENSE:SPURIOUS:RANGE1:LIMIT:ABSOLUTE:STOP -10` sets the absolute stop amplitude of the limits for Range A to -10 dBm.

## **[SENSe]:SPURious:RANGe<x>:LIMit:MASK**

Sets or queries the limit mask function mode for the specified range in the Spurious measurement.

The parameter <x> = 1 to 20, representing Range A to T, respectively.

**Conditions** Measurement views: Spurious

**Group** Sense commands

**Syntax** [SENSE]:SPURious:RANGe<x>:LIMit:MASK { ABS | REL | AND | OR | OFF }  
[SENSE]:SPURious:RANGe<x>:LIMit:MASK?

**Arguments** The following table lists the arguments.

**Table 2-45: Limit mask mode**

Argument	Description
ABS	Failure is detected when one of the spurious signals is larger than the absolute amplitude limit.
REL	Failure is detected when one of the spurious signals is larger than the relative amplitude limit.
AND	Failure is detected when one of the spurious signals is larger than the absolute AND relative amplitude limits.
OR	Failure is detected when one of the spurious signals is larger than the absolute OR relative amplitude limit.
OFF	Disables the mask.

To set the absolute amplitude limits, use the [SENSE]:SPURious:RANGe<x>:LIMit:ABSolute:STARt and [SENSE]:SPURious:RANGe<x>:LIMit:ABSolute:STOP commands.

To set the relative amplitude limits, use the [SENSE]:SPURious:RANGe<x>:LIMit:RELative:STARt and [SENSE]:SPURious:RANGe<x>:LIMit:RELative:STOP commands.

**Examples** SENSE:SPURIOUS:RANGE1:LIMIT:MASK ABS specifies that failure is detected when one of the spurious signals is larger than the absolute amplitude limit in Range A.

## [SENSE]:SPURious:RANGe<x>:LIMit:RELative:STARt

Sets or queries the relative amplitude of the limits at the start (left edge) of the specified range in the Spurious measurement. This command is valid when [SENSE]:SPURious:RANGe<x>:LIMit:MASK is set to REL, AND, or OR.

The parameter <x> = 1 to 20, representing Range A to T, respectively.

**Conditions** Measurement views: Spurious

**Group** Sense commands

<b>Syntax</b>	<code>[SENSE]:SPURIOUS:RANGE&lt;x&gt;:LIMIT:RELATIVE:START &lt;value&gt;</code> <code>[SENSE]:SPURIOUS:RANGE&lt;x&gt;:LIMIT:RELATIVE:START?</code>
<b>Arguments</b>	<code>&lt;value&gt;</code> :: <code>&lt;NRF&gt;</code> specifies the relative start amplitude of the limits. Range: -100 to 0 dB.  Use the <a href="#">[SENSE]:SPURIOUS:REFERENCE</a> command to select the power reference.
<b>Examples</b>	<code>SENSE:SPURIOUS:RANGE1:LIMIT:RELATIVE:START -30</code> sets the relative start amplitude of the limits for Range A to -30 dB.

## [SENSE]:SPURIOUS:RANGE<x>:LIMIT:RELATIVE:STOP

Sets or queries the relative amplitude of the limits at the stop (right edge) of the specified range in the Spurious measurement. This command is valid when [\[SENSE\]:SPURIOUS:RANGE<x>:LIMIT:MASK](#) is set to REL, AND, or OR.

The parameter `<x>` = 1 to 20, representing Range A to T, respectively.

<b>Conditions</b>	Measurement views: Spurious
<b>Group</b>	Sense commands
<b>Syntax</b>	<code>[SENSE]:SPURIOUS:RANGE&lt;x&gt;:LIMIT:RELATIVE:STOP &lt;value&gt;</code> <code>[SENSE]:SPURIOUS:RANGE&lt;x&gt;:LIMIT:RELATIVE:STOP?</code>
<b>Arguments</b>	<code>&lt;value&gt;</code> :: <code>&lt;NRF&gt;</code> specifies the relative stop amplitude of the limits. Range: -100 to 0 dB.  Use the <a href="#">[SENSE]:SPURIOUS:REFERENCE</a> command to select the power reference.
<b>Examples</b>	<code>SENSE:SPURIOUS:RANGE1:LIMIT:RELATIVE:STOP -10</code> sets the relative stop amplitude of the limits for Range A to -10 dB.

## [SENSE]:SPURIOUS:RANGE<x>:STATE

Determines whether to enable or disable the frequency range in the Spurious measurement.

The parameter `<x>` = 1 to 20, representing Range A to T, respectively.

<b>Conditions</b>	Measurement views: Spurious
<b>Group</b>	Sense commands
<b>Syntax</b>	[SENSe]:SPURious:RANGe<x>:STATE { OFF   ON   0   1 } [SENSe]:SPURious:RANGe<x>:STATE?
<b>Arguments</b>	OFF or 0 disables the frequency range. ON or 1 enables the frequency range.
<b>Examples</b>	SENSE:SPURIOUS:RANGE1:STATE ON enables Range A.

## [SENSe]:SPURious:RANGe<x>:THReshold

Sets or queries the threshold level to detect spurious signals in the specified frequency range.

The parameter <x> = 1 to 20, representing Range A to T, respectively.

<b>Conditions</b>	Measurement views: Spurious
<b>Group</b>	Sense commands
<b>Syntax</b>	[SENSe]:SPURious:RANGe<x>:THReshold <value> [SENSe]:SPURious:RANGe<x>:THReshold?
<b>Arguments</b>	<value> :: <Nrf> specifies the threshold level above which the signal is determined to be spurious. Range: -50 to +30 dBm.  The unit can be changed by the [SENSe]:POWER:UNITs or UNIT:POWER command.
<b>Examples</b>	SENSE:SPURIOUS:RANGE1:THRESHOLD -25 sets the threshold level to -25 dBm in Range A.

## [SENSe]:SPURious:REFerence

Sets or queries the power reference in the Spurious measurement.

<b>Conditions</b>	Measurement views: Spurious
<b>Group</b>	Sense commands
<b>Syntax</b>	[SENSe]:SPURious:REFerence { CARRier   MANUal   NONE } [SENSe]:SPURious:REFerence?
<b>Arguments</b>	CARRier uses the carrier as the power reference.  MANUal sets the power reference using the <a href="#">[SENSe]:SPURious:REFerence:MANUal:POWer</a> command.  NONE uses no reference.
<b>Examples</b>	SENSE:SPURIOUS:REFERENCE CARRier uses the carrier as the power reference.

## [SENSe]:SPURious:REFerence:MANUal:POWer

Sets or queries the reference power level in the Spurious measurement. This command is valid when [\[SENSe\]:SPURious:REFerence](#) is set to MANUal.

<b>Conditions</b>	Measurement views: Spurious
<b>Group</b>	Sense commands
<b>Syntax</b>	[SENSe]:SPURious:REFerence:MANUal:POWer <value> [SENSe]:SPURious:REFerence:MANUal:POWer?
<b>Arguments</b>	<value> :: <NRF> specifies the reference power level. Range: -170 to +50 dBm. The unit can be changed by the <a href="#">[SENSe]:POWer:UNITs</a> or <a href="#">UNIT:POWer</a> command.
<b>Examples</b>	SENSE:SPURIOUS:REFERENCE:MANUAL:POWER -25 sets the reference power level to -25 dBm.

## [SENSE]:SQUALity:EVM:ALL[:STATE]

Sets or queries whether or not the display of both EVM and Offset EVM results is enabled. Offset EVM appears only for OQPSK and SOQPSK modulation types.

<b>Conditions</b>	Measurement views: Signal Quality
<b>Group</b>	Sense commands
<b>Syntax</b>	[SENSE]:SQUALity:EVM:ALL[:STATE] [SENSE]:SQUALity:EVM:ALL[:STATE]?
<b>Arguments</b>	OFF or 0 disables the local lockout operation. ON or 1 enables the local lockout operation.

## [SENSE]:TOVerview:FREQUency:CENTer

Sets or queries the center frequency in the time overview.

<b>Conditions</b>	Measurement views: Time overview
<b>Group</b>	Sense commands
<b>Syntax</b>	[SENSE]:TOVerview:FREQUency:CENTer <value> [SENSE]:TOVerview:FREQUency:CENTer?
<b>Arguments</b>	<value> :: <NRF> specifies the center frequency. Range: 0 Hz to 6.2 GHz (RSA6106A) / 14 GHz (RSA6114A).
<b>Examples</b>	SENSE:TOVERVIEW:FREQUENCY:CENTER 7.5GHZ sets the center frequency to 7.5 GHz.

## [SENSE]:TOVerview:MAXTracepoints

Sets or queries the maximum trace points in the time overview.

<b>Conditions</b>	Measurement views: Time overview
-------------------	----------------------------------

<b>Group</b>	Sense commands
<b>Syntax</b>	[SENSE]:TOVerview:MAXTracepoints { ONEK   TENK   HUNDredk   NEVERdecimate } [SENSE]:TOVerview:MAXTracepoints?
<b>Arguments</b>	ONEK sets the maximum trace points to 1 k. TENK sets the maximum trace points to 10 k. HUNDredk sets the maximum trace points to 100 k. NEVERdecimate never decimates the trace points.
<b>Examples</b>	SENSE:TOVERVIEW:MAXTRACEPOINTS TENK sets the maximum trace points to 10 k.

## [SENSE]:USETtings (No Query Form)

Updates the analyzer settings. This command is useful when you need to set the analyzer including the RF attenuation before taking data acquisition. Unless this command is executed, the attenuation value is not set until acquisition is taken.

<b>Conditions</b>	Measurement views: All
<b>Group</b>	Sense commands
<b>Syntax</b>	[SENSE]:USETtings
<b>Arguments</b>	None
<b>Examples</b>	SENSE:USETTINGS updates settings.

## \*SRE

Sets or queries the value of the Service Request Enable Register (SRER). Refer to Section 3, *Status and Events*, for the register information.

<b>Conditions</b>	Measurement views: All
-------------------	------------------------

<b>Group</b>	IEEE common commands
<b>Syntax</b>	*SRE <value> *SRE?
<b>Related Commands</b>	*CLS, *ESE, *ESR?, *STB?
<b>Arguments</b>	<value> :: <NR1> is a value in the range from 0 to 255. The binary bits of the SRER are set according to this value. Using an out-of-range value causes an execution error.
<b>Examples</b>	*SRE48 sets binary 00110000 in the SRER's bits.  *SRE? might return 32, indicating that binary value 00100000 has been set in the SRER's bits.

## STATus:ACPower:EVENTs? (Query Only)

Returns the current events and status conditions for the Channel power and ACPR measurement.

<b>Conditions</b>	Measurement views: Channel power and ACPR
<b>Group</b>	Status commands
<b>Syntax</b>	STATus:ACPower:EVENTs?
<b>Arguments</b>	None
<b>Returns</b>	<code>, "<edesc>[<einfo>]" {, <code>, "<edesc>[:<einfo>]"}  Where <code> :: <NR1> is the error/event code (-32768 to 32767). <edesc> :: <string> is the description on the error/event. <einfo> :: <string> is the additional information on the error/event.  If there is no error, the response is 0, "No events to report".



**Examples** STATUS:ACPOWER:EVENTS? might return 12026,"Acq Sampling Params: manual control", indicating that the sampling parameters are controlled manually.

## STATUS:{AM|FM|PM}:EVENTS? (Query Only)

Returns the current events and status conditions for the AM/FM/PM measurement.

**Conditions** Measurement views: AM, FM, PM

**Group** Status commands

**Syntax** STATUS:{AM|FM|PM}:EVENTS?

**Arguments** None

**Returns** <ecode>,"<edesc> [<einfo>]" {,<ecode>,"<edesc>[:<einfo>]"}  
 Where

Where

<ecode> :: <NR1> is the error/event code (-32768 to 32767).

<edesc> :: <string> is the description on the error/event.

<einfo> :: <string> is the additional information on the error/event.

If there is no error, the response is 0, "No events to report".

**Examples** STATUS:AM:EVENTS? might return 12026,"Acq Sampling Params: manual control", indicating that the sampling parameters are controlled manually in the AM measurement.

## STATUS:AUDIO:SPECTRUM:EVENTS? (Query Only)

Returns the current events and status conditions for the audio measurement.

**Conditions** Measurement views: Audio Spectrum

**Group** Status commands

**Syntax** STATUS:AUDIO:SPECTRUM:EVENTS?

<b>Arguments</b>	None
<b>Returns</b>	<p>&lt;ecode&gt;, "&lt;edesc&gt;[&lt;einfo&gt;]" {, &lt;ecode&gt;, "&lt;edesc&gt;[:&lt;einfo&gt;]"}</p> <p>Where:</p> <p>&lt;ecode&gt; :: &lt;NR1&gt; is the error/event code (-32768 to 32767).</p> <p>&lt;edesc&gt; :: &lt;string&gt; is the description on the error/event.</p> <p>&lt;einfo&gt; :: &lt;string&gt; is the additional information on the error/event.</p> <p>If there is no error, the response is 0, "No events to report".</p>
<b>Examples</b>	<p>STATUS:AUDIO:SPECTRUM:EVENTS? might return 12026, "Acq Sampling Params: manual control", indicating that the sampling parameters are controlled manually.</p>

## STATUS:AUDIO:SUMMARY:EVENTS? (Query Only)

Returns the current events and status conditions for the audio measurement.

<b>Conditions</b>	Measurement views: Audio Summary
<b>Group</b>	Status commands
<b>Syntax</b>	STATUS:AUDIO:SUMMARY:EVENTS?
<b>Arguments</b>	None
<b>Returns</b>	<p>&lt;ecode&gt;, "&lt;edesc&gt;[&lt;einfo&gt;]" {, &lt;ecode&gt;, "&lt;edesc&gt;[:&lt;einfo&gt;]"}</p> <p>Where:</p> <p>&lt;ecode&gt; :: &lt;NR1&gt; is the error/event code (-32768 to 32767).</p> <p>&lt;edesc&gt; :: &lt;string&gt; is the description on the error/event.</p> <p>&lt;einfo&gt; :: &lt;string&gt; is the additional information on the error/event.</p> <p>If there is no error, the response is 0, "No events to report".</p>
<b>Examples</b>	<p>STATUS:AUDIO:SUMMARY:EVENTS? might return 12026, "Acq Sampling Params: manual control", indicating that the sampling parameters are controlled manually.</p>

## STATus:AVTime:EVENTs? (Query Only)

Returns the current events and status conditions for the Amplitude versus Time measurement.

**Conditions** Measurement views: Amplitude versus Time

**Group** Status commands

**Syntax** STATus:AVTime:EVENTs?

**Arguments** None

**Returns** <ecode>,"<edesc>[<einfo>]"{"<ecode>,"<edesc>[:<einfo>]}"

Where

<ecode> :: <NR1> is the error/event code (-32768 to 32767).

<edesc> :: <string> is the description on the error/event.

<einfo> :: <string> is the additional information on the error/event.

If there is no error, the response is 0, "No events to report".

**Examples** STATus:AVTIME:EVENTS? might return 12026,"Acq Sampling Params: manual control", indicating that the sampling parameters are controlled manually.

## STATus:CCDF:EVENTs? (Query Only)

Returns the current events and status conditions for the CCDF measurement.

<b>Conditions</b>	Measurement views: CCDF
<b>Group</b>	Status commands
<b>Syntax</b>	STATus:CCDF:EVENTs?
<b>Arguments</b>	None
<b>Returns</b>	<code>&lt;ecode&gt;,"&lt;edesc&gt;[&lt;einfo&gt;]"{,&lt;ecode&gt;,"&lt;edesc&gt;[:&lt;einfo&gt;]"}</code> Where <code>&lt;ecode&gt;</code> :: <NR1> is the error/event code (-32768 to 32767). <code>&lt;edesc&gt;</code> :: <string> is the description on the error/event. <code>&lt;einfo&gt;</code> :: <string> is the additional information on the error/event. If there is no error, the response is 0, "No events to report".
<b>Examples</b>	STATus:CCDF:EVENTs? might return 12026,"Acq Sampling Params: manual control", indicating that the sampling parameters are controlled manually.

## STATus:CONStE:EVENTs? (Query Only)

Returns the current events and status conditions for the constellation measurement.

<b>Conditions</b>	Measurement views: Constellation
<b>Group</b>	Status commands
<b>Syntax</b>	STATus:CONStE:EVENTs?
<b>Arguments</b>	None
<b>Returns</b>	<code>&lt;ecode&gt;,"&lt;edesc&gt;[&lt;einfo&gt;]"{,&lt;ecode&gt;,"&lt;edesc&gt;[:&lt;einfo&gt;]"}</code>

Where

<ecode> :: <NR1> is the error/event code (-32768 to 32767).

<edesc> :: <string> is the description on the error/event.

<einfo> :: <string> is the additional information on the error/event.

If there is no error, the response is 0, "No events to report".

**Examples** STATUS:CONSTE:EVENTS? might return 12026,"Acq Sampling Params: manual control", indicating that the sampling parameters are controlled manually.

## STATUS:DIQVtime:EVENTs? (Query Only)

Returns the current events and status conditions for the Demod I&Q versus Time measurement.

**Conditions** Measurement views: Demod I&Q versus Time

**Group** Status commands

**Syntax** STATUS:DIQVtime:EVENTs?

**Arguments** None

**Returns** <ecode>,"<edesc>[<einfo>]"{,<ecode>,"<edesc>[:<einfo>]}"

Where

<ecode> :: <NR1> is the error/event code (-32768 to 32767).

<edesc> :: <string> is the description on the error/event.

<einfo> :: <string> is the additional information on the error/event.

If there is no error, the response is 0, "No events to report".

**Examples** STATUS:DIQVTIME:EVENTS? might return 12026,"Acq Sampling Params: manual control", indicating that the sampling parameters are controlled manually.

## STATUS:DPX:EVENTs? (Query Only)

Returns the current events and status conditions for the DPX spectrum measurement.

<b>Conditions</b>	Measurement views: DPX spectrum
<b>Group</b>	Status commands
<b>Syntax</b>	STATUS:DPX:EVENTS?
<b>Arguments</b>	None
<b>Returns</b>	<p>&lt;ecode&gt;,"&lt;edesc&gt;[&lt;einfo&gt;]"{,&lt;ecode&gt;,"&lt;edesc&gt;[:&lt;einfo&gt;]}            Where            &lt;ecode&gt; :: &lt;NR1&gt; is the error/event code (-32768 to 32767).            &lt;edesc&gt; :: &lt;string&gt; is the description on the error/event.            &lt;einfo&gt; :: &lt;string&gt; is the additional information on the error/event.</p> <p>If there is no error, the response is 0, "No events to report".</p>
<b>Examples</b>	STATUS:DPX:EVENTS? might return 12026,"Acq Sampling Params: manual control", indicating that the sampling parameters are controlled manually.

## STATUS:EDIagram:EVENTS? (Query Only)

Returns the current events and status conditions for the eye diagram measurement.

<b>Conditions</b>	Measurement views: Eye diagram
<b>Group</b>	Status commands
<b>Syntax</b>	STATUS:EDIagram:EVENTS?
<b>Arguments</b>	None
<b>Returns</b>	<p>&lt;ecode&gt;,"&lt;edesc&gt;[&lt;einfo&gt;]"{,&lt;ecode&gt;,"&lt;edesc&gt;[:&lt;einfo&gt;]}            Where            &lt;ecode&gt; :: &lt;NR1&gt; is the error/event code (-32768 to 32767).            &lt;edesc&gt; :: &lt;string&gt; is the description on the error/event.            &lt;einfo&gt; :: &lt;string&gt; is the additional information on the error/event.</p>

If there is no error, the response is 0, "No events to report".

**Examples** STATUS:EDIAGRAM:EVENTS? might return 12026,"Acq Sampling Params: manual control", indicating that the sampling parameters are controlled manually.

## STATUS:EVM:EVENTS? (Query Only)

Returns the current events and status conditions for the EVM versus Time measurement.

**Conditions** Measurement views: EVM versus Time

**Group** Status commands

**Syntax** STATUS:EVM:EVENTS?

**Arguments** None

**Returns** <ecode>,"<edesc>[<einfo>]"{"<ecode>,"<edesc>[:<einfo>]"} }

Where

<ecode> :: <NR1> is the error/event code (-32768 to 32767).

<edesc> :: <string> is the description on the error/event.

<einfo> :: <string> is the additional information on the error/event.

If there is no error, the response is 0, "No events to report".

**Examples** STATUS:EVM:EVENTS? might return 12026,"Acq Sampling Params: manual control", indicating that the sampling parameters are controlled manually.

## STATUS:FDVTime:EVENTS? (Query Only)

Returns the current events and status conditions for the Frequency deviation versus Time measurement.

**Conditions** Measurement views: Frequency deviation versus Time

<b>Group</b>	Status commands
<b>Syntax</b>	STATUS:FDVTime:EVENTs?
<b>Arguments</b>	None
<b>Returns</b>	<p>&lt;ecode&gt;,"&lt;edesc&gt;[&lt;einfo&gt;]"{,&lt;ecode&gt;,"&lt;edesc&gt;[:&lt;einfo&gt;]}"</p> <p>Where</p> <p>&lt;ecode&gt; :: &lt;NR1&gt; is the error/event code (-32768 to 32767).</p> <p>&lt;edesc&gt; :: &lt;string&gt; is the description on the error/event.</p> <p>&lt;einfo&gt; :: &lt;string&gt; is the additional information on the error/event.</p> <p>If there is no error, the response is 0, "No events to report".</p>
<b>Examples</b>	STATUS:FDVTIME:EVENTS? might return 12026,"Acq Sampling Params: manual control", indicating that the sampling parameters are controlled manually.

## STATUS:{FSETtling|PSETtling}:EVENTs? (Query Only)

Returns the current events and status conditions for the specified settling time measurement.

<b>Conditions</b>	Measurement views: Frequency and Phase Settling Time
<b>Group</b>	Status commands
<b>Syntax</b>	STATUS:{FSETtling PSETtling}:EVENTs?
<b>Arguments</b>	None
<b>Returns</b>	<p>&lt;ecode&gt;,"&lt;edesc&gt;[&lt;einfo&gt;]"{,&lt;ecode&gt;,"&lt;edesc&gt;[:&lt;einfo&gt;]}"</p> <p>Where</p> <p>&lt;ecode&gt; :: &lt;NR1&gt; is the error/event code (-32768 to 32767).</p> <p>&lt;edesc&gt; :: &lt;string&gt; is the description on the error/event.</p> <p>&lt;einfo&gt; :: &lt;string&gt; is the additional information on the error/event.</p> <p>If there is no error, the response is 0, "No events to report".</p>



**Examples** STATUS:{FSETTLING|PSETTLING}:EVENTS? might return 2048, "Done saving - restart with Stop, then Run", indicating that the acquisition has been completed.

## STATUS:FVTime:EVENTs? (Query Only)

Returns the current events and status conditions for the Frequency versus Time measurement.

**Conditions** Measurement views: Frequency versus Time

**Group** Status commands

**Syntax** STATUS:FVTime:EVENTs?

**Arguments** None

**Returns** <ecode>,"<edesc>[<einfo>]"{"<ecode>,"<edesc>[:<einfo>]"}

Where

<ecode> :: <NR1> is the error/event code (-32768 to 32767).

<edesc> :: <string> is the description on the error/event.

<einfo> :: <string> is the additional information on the error/event.

If there is no error, the response is 0, "No events to report".

**Examples** STATUS:FVTIME:EVENTS? might return 12026,"Acq Sampling Params: manual control", indicating that the sampling parameters are controlled manually.

## STATUS:IQVTime:EVENTs? (Query Only)

Returns the current events and status conditions for the RF I&Q versus Time measurement.

**Conditions** Measurement views: RF I&Q versus Time

**Group** Status commands

**Syntax**     STATUS:IQVTime:EVENTs?

**Arguments**   None

**Returns**     <ecode>,"<edesc>[<einfo>]"{,<ecode>,"<edesc>[:<einfo>]"}  
 Where

Where

<ecode>   ::   <NR1> is the error/event code (-32768 to 32767).

<edesc>   ::   <string> is the description on the error/event.

<einfo>   ::   <string> is the additional information on the error/event.

If there is no error, the response is 0, "No events to report".

**Examples**     STATUS:IQVTIME:EVENTS? might return 12026,"Acq Sampling Params: manual control", indicating that the sampling parameters are controlled manually.

## STATUS:MCPower:EVENTs? (Query Only)

Returns the current events and status conditions for the MCPR (multi-carrier ACPR) measurement.

**Conditions**   Measurement views: MCPR

**Group**        Status commands

**Syntax**     STATUS:MCPower:EVENTs?

**Arguments**   None

**Returns**     <ecode>,"<edesc>[<einfo>]"{,<ecode>,"<edesc>[:<einfo>]"}  
 Where

Where

<ecode>   ::   <NR1> is the error/event code (-32768 to 32767).

<edesc>   ::   <string> is the description on the error/event.

<einfo>   ::   <string> is the additional information on the error/event.

If there is no error, the response is 0, "No events to report".

**Examples** STATUS:MCPOWER:EVENTS? might return 12026,"Acq Sampling Params: manual control", indicating that the sampling parameters are controlled manually.

## STATUS:MERRor:EVENTs? (Query Only)

Returns the current events and status conditions for the Magnitude error versus Time measurement.

**Conditions** Measurement views: Magnitude error versus Time

**Group** Status commands

**Syntax** STATUS:MERRor:EVENTs?

**Arguments** None

**Returns** <ecode>,"<edesc>[<einfo>]"{,<ecode>,"<edesc>[:<einfo>]"}"

Where

<ecode> :: <NR1> is the error/event code (-32768 to 32767).

<edesc> :: <string> is the description on the error/event.

<einfo> :: <string> is the additional information on the error/event.

If there is no error, the response is 0, "No events to report".

**Examples** STATUS:MERRor:EVENTs? might return 12026,"Acq Sampling Params: manual control", indicating that the sampling parameters are controlled manually.

## STATUS:OBWidth:EVENTs? (Query Only)

Returns the current events and status conditions for the Occupied Bandwidth (OBW) measurement.

**Conditions** Measurement views: Occupied Bandwidth

**Group** Status commands

**Syntax**     STATUS:OBwidth:EVENTs?

**Arguments**   None

**Returns**     <ecode>,"<edesc>[<einfo>]" {,<ecode>,"<edesc>[:<einfo>]"}  
 Where

Where

<ecode>   ::   <NR1> is the error/event code (-32768 to 32767).

<edesc>   ::   <string> is the description on the error/event.

<einfo>   ::   <string> is the additional information on the error/event.

If there is no error, the response is 0, "No events to report".

**Examples**     STATUS:OBWIDTH:EVENTS? might return 12026, "Acq Sampling Params: manual control", indicating that the sampling parameters are controlled manually.

## STATUS:OFDM:CONStE:EVENTs? (Query Only)

Returns the current events and status condition for the OFDM Constellation measurement.

**Conditions**   Measurement views: OFDM

**Group**        Status commands

**Syntax**     STATUS:OFDM:CONStE:EVENTs?

**Arguments**   None

**Returns**     IS THE FOLLOWING INFORMATION CORRECT FOR THIS AND THE EXAMPLE?<ecode>,"<edesc>[<einfo>]" {,<ecode>,"<edesc>[:<einfo>]"}  
 Where

Where

<ecode>   ::   <NR1> is the error/event code (-32768 to 32767).

<edesc>   ::   <string> is the description on the error/event.

<einfo>   ::   <string> is the additional information on the error/event.

If there is no error, the response is 0, "No events to report".

**Examples** STATUS:OFDM:CONSTE:EVENTS? might return 12026,"Acq Sampling Params: manual control", indicating that the sampling parameters are controlled manually.

## STATUS:OFDM:EVM:EVENTs? (Query Only)

Returns the current events and status condition for the OFDM EVM (Error Vector Magnitude) versus Time measurement.

**Conditions** Measurement views: OFDM

**Group** Status commands

**Syntax** STATUS:OFDM:EVM:EVENTs?

**Arguments** None

**Returns** IS THE FOLLOWING INFORMATION CORRECT FOR THIS AND THE EXAMPLE?<ecode>,"<edesc> [<einfo>]"{,<ecode>,"<edesc>[:<einfo>]"}  
 Where

Where

<ecode> :: <NR1> is the error/event code (-32768 to 32767).

<edesc> :: <string> is the description on the error/event.

<einfo> :: <string> is the additional information on the error/event.

If there is no error, the response is 0, "No events to report".

**Examples** STATUS:OFDM:EVM:EVENTS? might return 12026,"Acq Sampling Params: manual control", indicating that the sampling parameters are controlled manually.

## STATUS:OFDM:MERRor:EVENTs? (Query Only)

Returns the current events and status condition for the OFDM Magnitude versus Time measurement.

**Conditions** Measurement views: OFDM

**Group** Status commands

**Syntax**     STATUS:OFDM:MERROR:EVENTS?

**Arguments**   None

**Returns**     IS THE FOLLOWING INFORMATION CORRECT FOR THIS AND THE  
EXAMPLE?<ecode>,"<edesc>[<einfo>]"{"<ecode>,"<edesc>[:<einfo>]"}

Where

<ecode>   ::   <NR1> is the error/event code (-32768 to 32767).

<edesc>   ::   <string> is the description on the error/event.

<einfo>   ::   <string> is the additional information on the error/event.

If there is no error, the response is 0, "No events to report".

**Examples**     STATUS:OFDM:MERROR:EVENTS? might return 12026,"Acq Sampling  
Params: manual control", indicating that the sampling parameters are  
controlled manually.

## STATUS:OFDM:PERROR:EVENTS? (Query Only)

Returns the current events and status condition for the OFDM Phase error versus  
Time measurement.

**Conditions**   Measurement views: OFDM

**Group**        Status commands

**Syntax**     STATUS:OFDM:PERROR:EVENTS?

**Arguments**   None

**Returns**     IS THE FOLLOWING INFORMATION CORRECT FOR THIS AND THE  
EXAMPLE?<ecode>,"<edesc>[<einfo>]"{"<ecode>,"<edesc>[:<einfo>]"}

Where

<ecode>   ::   <NR1> is the error/event code (-32768 to 32767).

<edesc>   ::   <string> is the description on the error/event.

<einfo>   ::   <string> is the additional information on the error/event.

If there is no error, the response is 0, "No events to report".

**Examples** STATUS:OFDM:PERror:EVENTs? might return 12026,"Acq Sampling Params: manual control", indicating that the sampling parameters are controlled manually.

## STATus:OFDM:POWer:EVENTs? (Query Only)

Returns the current events and status condition for the OFDM Power measurement.

**Conditions** Measurement views: OFDM

**Group** Status commands

**Syntax** STATus:OFDM:POWer:EVENTs?

**Arguments** None

**Returns** IS THE FOLLOWING INFORMATION CORRECT FOR THIS AND THE EXAMPLE?<ecode>,"<edesc>[<einfo>]"{,<ecode>,"<edesc>[:<einfo>]"}  
Where

Where

<ecode> :: <NR1> is the error/event code (-32768 to 32767).

<edesc> :: <string> is the description on the error/event.

<einfo> :: <string> is the additional information on the error/event.

If there is no error, the response is 0, "No events to report".

**Examples** STATUS:OFDM:POWer:EVENTs? might return 12026,"Acq Sampling Params: manual control", indicating that the sampling parameters are controlled manually.

## STATus:OFDM:STABle:EVENTs? (Query Only)

Returns the current events and status condition for the OFDM Symbol table measurement.

**Conditions** Measurement views: OFDM

**Group** Status commands

**Syntax**     STATUS:OFDM:STABLE:EVENTS?

**Arguments**     None

**Returns**     IS THE FOLLOWING INFORMATION CORRECT FOR THIS AND THE  
EXAMPLE?<ecode>,"<edesc>[<einfo>]"{"<ecode>,"<edesc>[:<einfo>]"}

Where

<ecode>    ::    <NR1> is the error/event code (-32768 to 32767).

<edesc>    ::    <string> is the description on the error/event.

<einfo>    ::    <string> is the additional information on the error/event.

If there is no error, the response is 0, "No events to report".

**Examples**     STATUS:OFDM:STABLE:EVENTS? might return 12026,"Acq Sampling  
Params: manual control", indicating that the sampling parameters are  
controlled manually.

## STATUS:OPERation:CONDition? (Query Only)

Returns the contents of the Operation Condition Register (OCR).

**Conditions**     Measurement views: All

**Group**     Status commands

**Syntax**     STATUS:OPERation:CONDition?

**Arguments**     None

**Returns**     <NR1> is a decimal number showing the contents of the OCR.

**Examples**     STATUS:OPERATION:CONDITION? might return 16, showing that the bits in the  
OCR have the binary value 000000000010000, which means the analyzer is  
in measurement.



## STATus:OPERation:ENABLE

Sets or queries the enable mask of the Operation Enable Register (OENR) which allows true conditions in the Operation Event Register to be reported in the summary bit.

<b>Conditions</b>	Measurement views: All
<b>Group</b>	Status commands
<b>Syntax</b>	STATus:OPERation:ENABLE <bit_value> STATus:OPERation:ENABLE?
<b>Arguments</b>	<bit_value> :: <NR1> is the enable mask of the OENR. Range: 0 to 65535.
<b>Returns</b>	<NR1> is a decimal number showing the contents of the OENR. Range: 0 to 32767 (The most-significant bit cannot be set true.)
<b>Examples</b>	<p>STATus:OPERATION:ENABLE1 enables the ALIGning bit.</p> <p>STATus:OPERATION:ENABLE? might return 1, showing that the bits in the OENR have the binary value 00000000 00000001, which means that the ALIGning bit is valid.</p>

## STATus:OPERation[:EVENT]? (Query Only)

Returns the contents of the Operation Event Register (OEVr). Reading the OEVr clears it.

<b>Conditions</b>	Measurement views: All
<b>Group</b>	Status commands
<b>Syntax</b>	STATus:OPERation[:EVENT]?
<b>Arguments</b>	None
<b>Returns</b>	<NR1> is a decimal number showing the contents of the OEVr.

**Examples** STATUS:OPERATION:EVENT? might return 1, showing that the bits in the OEVR have the binary value 00000000 00000001, which means that the ALIGNing bit is set.

## STATus:OPERation:NTRansition

Sets or queries the negative transition filter value of the Operation Transition Register (OTR).

**Conditions** Measurement views: All

**Group** Status commands

**Syntax** STATus:OPERation:NTRansition <bit\_value>  
STATus:OPERation:NTRansition?

**Arguments** <bit\_value> :: <NR1> is the negative transition filter value. Range: 0 to 65535.

**Returns** <NR1> is a decimal number showing the contents of the OTR.  
Range: 0 to 32767 (The most-significant bit cannot be set true.)

**Examples** STATUS:OPERATION:NTRANSITION#H0011 sets the negative transition filter value to #H0011.

STATUS:OPERATION:NTRANSITION? might return 17.

## STATus:OPERation:PTRansition

Sets or queries the positive transition filter value of the Operation Transition Register (OTR).

**Conditions** Measurement views: All

**Group** Status commands

**Syntax** STATus:OPERation:PTRansition <bit\_value>  
STATus:OPERation:PTRansition?

<b>Arguments</b>	<code>&lt;bit_value&gt; :: &lt;NR1&gt;</code> is the positive transition filter value. Range: 0 to 65535.
<b>Returns</b>	<code>&lt;NR1&gt;</code> is a decimal number showing the contents of the OTR. Range: 0 to 32767 (The most-significant bit cannot be set true.)
<b>Examples</b>	<p><code>STATUS:OPERATION:PTRANSITION0</code> sets the positive transition filter value to 0.</p> <p><code>STATUS:OPERATION:PTRANSITION?</code> might return 0.</p>

## STATUS:PERRor:EVENTs? (Query Only)

Returns the current events and status conditions for the Phase error versus Time measurement.

<b>Conditions</b>	Measurement views: Phase error versus Time
<b>Group</b>	Status commands
<b>Syntax</b>	<code>STATUS:PERRor:EVENTs?</code>
<b>Arguments</b>	None
<b>Returns</b>	<p><code>&lt;ecode&gt;,"&lt;edesc&gt;[&lt;einfo&gt;]"{"&lt;ecode&gt;,"&lt;edesc&gt;[:&lt;einfo&gt;]"}</code></p> <p>Where</p> <p><code>&lt;ecode&gt; :: &lt;NR1&gt;</code> is the error/event code (-32768 to 32767).</p> <p><code>&lt;edesc&gt; :: &lt;string&gt;</code> is the description on the error/event.</p> <p><code>&lt;einfo&gt; :: &lt;string&gt;</code> is the additional information on the error/event.</p> <p>If there is no error, the response is 0, "No events to report".</p>
<b>Examples</b>	<code>STATUS:PERRor:EVENTs?</code> might return 12026,"Acq Sampling Params: manual control", indicating that the sampling parameters are controlled manually.

## STATUS:PHVTime:EVENTs? (Query Only)

Returns the current events and status conditions for the Phase versus Time measurement.

<b>Conditions</b>	Measurement views: Phase versus Time
<b>Group</b>	Status commands
<b>Syntax</b>	STATUS:PHVTime:EVENTs?
<b>Arguments</b>	None
<b>Returns</b>	<p>&lt;ecode&gt;,"&lt;edesc&gt;[&lt;einfo&gt;]"{,&lt;ecode&gt;,"&lt;edesc&gt;[:&lt;einfo&gt;]}"}</p> <p>Where</p> <p>&lt;ecode&gt; :: &lt;NR1&gt; is the error/event code (-32768 to 32767).</p> <p>&lt;edesc&gt; :: &lt;string&gt; is the description on the error/event.</p> <p>&lt;einfo&gt; :: &lt;string&gt; is the additional information on the error/event.</p> <p>If there is no error, the response is 0, "No events to report".</p>
<b>Examples</b>	STATUS:PHVTIME:EVENTS? might return 12026,"Acq Sampling Params: manual control", indicating that the sampling parameters are controlled manually.

## STATUS:PNOise:EVENTs? (Query Only)

Returns the current events and status conditions for the phase noise measurement.

<b>Conditions</b>	Measurement views: Spurious
<b>Group</b>	Status commands
<b>Syntax</b>	STATUS:PNOise:EVENTs?
<b>Arguments</b>	None
<b>Returns</b>	<p>&lt;ecode&gt;,"&lt;edesc&gt;[&lt;einfo&gt;]"{,&lt;ecode&gt;,"&lt;edesc&gt;[:&lt;einfo&gt;]}"}</p> <p>Where</p> <p>&lt;ecode&gt; :: &lt;NR1&gt; is the error/event code (-32768 to 32767).</p> <p>&lt;edesc&gt; :: &lt;string&gt; is the description on the error/event.</p> <p>&lt;einfo&gt; :: &lt;string&gt; is the additional information on the error/event.</p>

If there is no error, the response is 0, "No events to report".

**Examples** STATUS:PNOISE:EVENTS? might return 12026, "Acq Sampling Params: manual control", indicating that the sampling parameters are controlled manually.

## STATus:PRESet (No Query Form)

Presets the SCPI enable registers and transition registers.

**Conditions** Measurement views: All

**Group** Status commands

**Syntax** STATus:PRESet

**Arguments** None

**Examples** STATUS:PRESET presets the SCPI enable registers and transition registers.

## STATus:PULSe:RESuLt:EVENTs? (Query Only)

Returns the current events and status conditions for the pulse table measurement.

**Conditions** Measurement views: Pulse table

**Group** Status commands

**Syntax** STATus:PULSe:RESuLt:EVENTs?

**Arguments** None

**Returns** <ecode>,"<edesc>[<einfo>]"{"<ecode>,"<edesc>[:<einfo>]"}</p>
</div>

Where

<ecode> :: <NR1> is the error/event code (-32768 to 32767).

<edesc> :: <string> is the description on the error/event.

RSA6100A Series & RSA5100A Series Programmer Manual

2-1155

`<info>` :: `<string>` is the additional information on the error/event.

If there is no error, the response is 0, "No events to report".

**Examples**     `STATUS:PULSE:RESULT:EVENTS?` might return 12026, "Acq Sampling Params: manual control", indicating that the sampling parameters are controlled manually.

## STATus:PULSe:STATistics:EVENTs? (Query Only)

Returns the current events and status conditions for the pulse statistics measurement.

**Conditions**     Measurement views: Pulse statistics

**Group**            Status commands

**Syntax**           `STATus:PULSe:STATistics:EVENTs?`

**Arguments**       None

**Returns**           `<ecode>,"<edesc>[<info>]"{"<ecode>,"<edesc>[:<info>]"}`

Where

`<ecode>` :: `<NR1>` is the error/event code (-32768 to 32767).

`<edesc>` :: `<string>` is the description on the error/event.

`<info>` :: `<string>` is the additional information on the error/event.

If there is no error, the response is 0, "No events to report".

**Examples**     `STATUS:PULSE:STATISTICS:EVENTS?` might return 12026, "Acq Sampling Params: manual control", indicating that the sampling parameters are controlled manually.

## STATus:PULSe:TRACe:EVENTs? (Query Only)

Returns the current events and status conditions for the pulse trace measurement.

**Conditions**       Measurement views: Pulse trace

<b>Group</b>	Status commands
<b>Syntax</b>	STATUS:PULSE:TRACE:EVENTS?
<b>Arguments</b>	None
<b>Returns</b>	<p>&lt;ecode&gt;,"&lt;edesc&gt;[&lt;einfo&gt;]"{"&lt;ecode&gt;,"&lt;edesc&gt;[:&lt;einfo&gt;]"}</p> <p>Where</p> <p>&lt;ecode&gt; :: &lt;NR1&gt; is the error/event code (-32768 to 32767).</p> <p>&lt;edesc&gt; :: &lt;string&gt; is the description on the error/event.</p> <p>&lt;einfo&gt; :: &lt;string&gt; is the additional information on the error/event.</p> <p>If there is no error, the response is 0, "No events to report".</p>
<b>Examples</b>	STATUS:PULSE:TRACE:EVENTS? might return 12026,"Acq Sampling Params: manual control", indicating that the sampling parameters are controlled manually.

## STATUS:QUESTIONABLE:CALIBRATION:CONDITION? (Query Only)

Returns the contents of the questionable calibration condition register.

<b>Conditions</b>	Measurement views: All
<b>Group</b>	Status commands
<b>Syntax</b>	STATUS:QUESTIONABLE:CALIBRATION:CONDITION?
<b>Arguments</b>	None
<b>Returns</b>	<NR1> is a decimal number showing the contents of the questionable calibration condition register.
<b>Examples</b>	STATUS:QUESTIONABLE:CALIBRATION:CONDITION? might return 16384, showing that the bits in the questionable calibration condition register have the binary value 01000000 00000000, which means the Alignment Needed bit is set.

## STATus:QUESTionable:CALibration:ENABLE

Sets or queries the enable mask of the questionable calibration enable register which allows true conditions in the questionable calibration event register to be reported in the summary bit.

<b>Conditions</b>	Measurement views: All
<b>Group</b>	Status commands
<b>Syntax</b>	STATus:QUESTionable:CALibration:ENABLE <bit_value> STATus:QUESTionable:CALibration:ENABLE?
<b>Arguments</b>	<bit_value> :: <NR1> is the enable mask of the questionable calibration enable register. Range: 0 to 65535.
<b>Returns</b>	<NR1> is a decimal number showing the contents of the questionable calibration enable register. Range: 0 to 32767 (The most-significant bit cannot be set true.)
<b>Examples</b>	STATus:QUESTIONABLE:CALIBRATION:ENABLE16384 enables the Alignment Needed bit.  STATus:QUESTIONABLE:CALIBRATION:ENABLE? might return 16384, showing that the bits in the questionable calibration enable register have the binary value 01000000 00000000, which means that the Calibration Summary bit is valid.

## STATus:QUESTionable:CALibration[:EVENT]? (Query Only)

Returns the contents of the questionable calibration event register. Reading the register clears it.

<b>Conditions</b>	Measurement views: All
<b>Group</b>	Status commands
<b>Syntax</b>	STATus:QUESTionable:CALibration[:EVENT]?
<b>Arguments</b>	None



**Returns** <NR1> is a decimal number showing the contents of the questionable calibration event register.

**Examples** STATUS:QUESTIONABLE:CALIBRATION:EVENT? might return 16384, showing that the bits in the questionable calibration event register have the binary value 01000000 00000000, which means that the Calibration Summary bit is set.

## STATUS:QUESTIONABLE:CALIBRATION:NTRANSITION

Sets or queries the negative transition filter value of the questionable calibration transition register.

**Conditions** Measurement views: All

**Group** Status commands

**Syntax** STATUS:QUESTIONABLE:CALIBRATION:NTRANSITION <bit\_value>  
STATUS:QUESTIONABLE:CALIBRATION:NTRANSITION?

**Arguments** <bit\_value> :: <NR1> is the negative transition filter value. Range: 0 to 65535.

**Returns** <NR1> is a decimal number showing the contents of the questionable calibration transition register. Range: 0 to 32767 (The most-significant bit cannot be set true.)

**Examples** STATUS:QUESTIONABLE:CALIBRATION:NTRANSITION#H4000 sets the negative transition filter value to #H4000.

STATUS:QUESTIONABLE:CALIBRATION:NTRANSITION? might return 16384.

## STATUS:QUESTIONABLE:CALIBRATION:PTRANSITION

Sets or queries the positive transition filter value of the questionable calibration transition register.

**Conditions** Measurement views: All

**Group** Status commands

**Syntax**     `STATUS:QUESTIONABLE:CALIBRATION:PTRANSITION <bit_value>`  
`STATUS:QUESTIONABLE:CALIBRATION:PTRANSITION?`

**Arguments**     `<bit_value>` :: `<NR1>` is the positive transition filter value. Range: 0 to 65535.

**Returns**     `<NR1>` is a decimal number showing the contents of the questionable calibration transition register. Range: 0 to 32767 (The most-significant bit cannot be set true.)

**Examples**     `STATUS:QUESTIONABLE:CALIBRATION:PTRANSITION0` sets the positive transition filter value to 0.

`STATUS:QUESTIONABLE:CALIBRATION:PTRANSITION?` might return 0.

## STATUS:QUESTIONABLE:CONDITION? (Query Only)

Returns the contents of the Questionable Condition Register (QCR).

**Conditions**     Measurement views: All

**Group**     Status commands

**Syntax**     `STATUS:QUESTIONABLE:CONDITION?`

**Arguments**     None

**Returns**     `<NR1>` is a decimal number showing the contents of the QCR.

**Examples**     `STATUS:QUESTIONABLE:CONDITION?` might return 256, showing that the bits in the QCR have the binary value 00000001 00000000, which means the Calibration Summary bit is set.

## STATUS:QUESTIONABLE:ENABLE

Sets or queries the enable mask of the Questionable Enable Register (QENR) which allows true conditions in the Questionable Event Register to be reported in the summary bit.

<b>Conditions</b>	Measurement views: All
<b>Group</b>	Status commands
<b>Syntax</b>	<pre>STATUS:QUESTIONABLE:ENABLE &lt;bit_value&gt; STATUS:QUESTIONABLE:ENABLE?</pre>
<b>Arguments</b>	<bit_value> :: <NR1> is the enable mask of QENR. Range: 0 to 65535.
<b>Returns</b>	<NR1> is a decimal number showing the contents of the QENR. Range: 0 to 32767 (The most-significant bit cannot be set true.)
<b>Examples</b>	<p>STATUS:QUESTIONABLE:ENABLE256 enables the Calibration Summary bit.</p> <p>STATUS:QUESTIONABLE:ENABLE? might return 256, showing that the bits in the QENR have the binary value 00000001 00000000, which means that the Calibration Summary bit is valid.</p>

## STATUS:QUESTIONABLE[:EVENT]? (Query Only)

Returns the contents of the Questionable Event Register (QEVr). Reading the QEVr clears it.

<b>Conditions</b>	Measurement views: All
<b>Group</b>	Status commands
<b>Syntax</b>	<pre>STATUS:QUESTIONABLE[:EVENT]?</pre>
<b>Arguments</b>	None
<b>Returns</b>	<NR1> is a decimal number showing the contents of the QEVr.
<b>Examples</b>	<p>STATUS:QUESTIONABLE:EVENT? might return 256, showing that the bits in the QEVr have the binary value 00000001 00000000, which means that the Calibration Summary bit is set.</p>

## STATus:QUESTionable:FREQuency:CONDition? (Query Only)

Returns the contents of the questionable frequency condition register.

<b>Conditions</b>	Measurement views: All
<b>Group</b>	Status commands
<b>Syntax</b>	STATus:QUESTionable:FREQuency:CONDition?
<b>Arguments</b>	None
<b>Returns</b>	<NR1> is a decimal number showing the contents of the questionable frequency condition register.
<b>Examples</b>	STATus:QUESTionable:FREQuency:CONDition? might return 512, showing that the bits in the questionable frequency condition register have the binary value 00000010 00000000, which means the Locked To External Ref bit is set.

## STATus:QUESTionable:FREQuency:ENABLE

Sets or queries the enable mask of the questionable frequency enable register which allows true conditions in the questionable frequency event register to be reported in the summary bit.

<b>Conditions</b>	Measurement views: All
<b>Group</b>	Status commands
<b>Syntax</b>	STATus:QUESTionable:FREQuency:ENABLE <bit_value> STATus:QUESTionable:FREQuency:ENABLE?
<b>Arguments</b>	<bit_value> :: <NR1> is the enable mask of the questionable frequency enable register. Range: 0 to 65535.
<b>Returns</b>	<NR1> is a decimal number showing the contents of the questionable frequency enable register. Range: 0 to 32767 (The most-significant bit cannot be set true.)

- Examples**     `STATUS:QUESTIONABLE:FREQUENCY:ENABLE512` enables the Locked To External Ref bit.
- `STATUS:QUESTIONABLE:FREQUENCY:ENABLE?` might return 512, showing that the bits in the questionable calibration enable register have the binary value 00000010 00000000, which means that the Locked To External Ref bit is valid.

## **STATUS:QUESTIONABLE:FREQUENCY[:EVENT]? (Query Only)**

Returns the contents of the questionable frequency event register. Reading the register clears it.

- Conditions**     Measurement views: All
- Group**            Status commands
- Syntax**           `STATUS:QUESTIONABLE:FREQUENCY[:EVENT]?`
- Arguments**        None
- Returns**           `<NR1>` is a decimal number showing the contents of the questionable frequency event register.
- Examples**         `STATUS:QUESTIONABLE:FREQUENCY:EVENT?` might return 512, showing that the bits in the questionable frequency event register have the binary value 00000010 00000000, which means that the Locked To External Ref bit is set.

## **STATUS:QUESTIONABLE:FREQUENCY:NTRANSITION**

Sets or queries the negative transition filter value of the questionable frequency transition register.

- Conditions**        Measurement views: All
- Group**            Status commands
- Syntax**           `STATUS:QUESTIONABLE:FREQUENCY:NTRANSITION <bit_value>`  
`STATUS:QUESTIONABLE:FREQUENCY:NTRANSITION?`

<b>Arguments</b>	<code>&lt;bit_value&gt; :: &lt;NR1&gt;</code> is the negative transition filter value. Range: 0 to 65535.
<b>Returns</b>	<code>&lt;NR1&gt;</code> is a decimal number showing the contents of the questionable frequency transition register. Range: 0 to 32767 (The most-significant bit cannot be set true.)
<b>Examples</b>	<p><code>STATUS:QUESTIONABLE:FREQUENCY:NTRANSITION#H0200</code> sets the negative transition filter value to #H0200.</p> <p><code>STATUS:QUESTIONABLE:FREQUENCY:NTRANSITION?</code> might return 512.</p>

## STATus:QUEStionable:FREQuency:PTRansition

Sets or queries the positive transition filter value of the questionable frequency transition register.

<b>Conditions</b>	Measurement views: All
<b>Group</b>	Status commands
<b>Syntax</b>	<p><code>STATus:QUEStionable:FREQuency:PTRansition &lt;bit_value&gt;</code></p> <p><code>STATus:QUEStionable:FREQuency:PTRansition?</code></p>
<b>Arguments</b>	<code>&lt;bit_value&gt; :: &lt;NR1&gt;</code> is the positive transition filter value. Range: 0 to 65535.
<b>Returns</b>	<code>&lt;NR1&gt;</code> is a decimal number showing the contents of the questionable frequency transition register. Range: 0 to 32767 (The most-significant bit cannot be set true.)
<b>Examples</b>	<p><code>STATUS:QUESTIONABLE:FREQUENCY:PTRANSITION0</code> sets the positive transition filter value to 0.</p> <p><code>STATUS:QUESTIONABLE:FREQUENCY:PTRANSITION?</code> might return 0.</p>

## STATus:QUEStionable:NTRansition

Sets or queries the negative transition filter value of the Questionable Transition Register (QTR).

<b>Conditions</b>	Measurement views: All
-------------------	------------------------

---

<b>Group</b>	Status commands
<b>Syntax</b>	STATUS:QUESTIONABLE:NTransition <bit_value> STATUS:QUESTIONABLE:NTransition?
<b>Arguments</b>	<bit_value> :: <NR1> is the negative transition filter value. Range: 0 to 65535.
<b>Returns</b>	<NR1> is a decimal number showing the contents of the QTR. Range: 0 to 32767 (The most-significant bit cannot be set true.)
<b>Examples</b>	STATUS:QUESTIONABLE:NTRANSITION#H0020 sets the negative transition filter value to #H0020.  STATUS:QUESTIONABLE:NTRANSITION? might return 32.

## STATUS:QUESTIONABLE:PTRansion

Sets or queries the positive transition filter value of the Questionable Transition Register (QTR).

<b>Conditions</b>	Measurement views: All
<b>Group</b>	Status commands
<b>Syntax</b>	STATUS:QUESTIONABLE:PTRansion <bit_value> STATUS:QUESTIONABLE:PTRansion?
<b>Arguments</b>	<bit_value> :: <NR1> is the positive transition filter value. Range: 0 to 65535.
<b>Returns</b>	<NR1> is a decimal number showing the contents of the QTR. Range: 0 to 32767 (The most-significant bit cannot be set true.)
<b>Examples</b>	STATUS:QUESTIONABLE:PTRANSITION0 sets the positive transition filter value to 0.  STATUS:QUESTIONABLE:PTRANSITION? might return 0.

## STATus:SEM:EVENTs? (Query Only)

Returns the current events and status conditions for the Spectral Emissions Mask measurement.

<b>Conditions</b>	Measurement views: Spectral Emissions Mask
<b>Group</b>	Status commands
<b>Syntax</b>	STATus:SEM:EVENTs?
<b>Arguments</b>	None
<b>Returns</b>	<code>&lt;ecode&gt;,"&lt;edesc&gt;[&lt;einfo&gt;]"{,&lt;ecode&gt;,"&lt;edesc&gt;[:&lt;einfo&gt;]"}</code> Where <code>&lt;ecode&gt;</code> :: <NR1> is the error/event code (-32768 to 32767). <code>&lt;edesc&gt;</code> :: <string> is the description on the error/event. <code>&lt;einfo&gt;</code> :: <string> is the additional information on the error/event. If there is no error, the response is 0, "No events to report".
<b>Examples</b>	STATus:SEM:EVENTs? might return 12026,"Acq Sampling Params: manual control", indicating that the sampling parameters are controlled manually.

## STATus:SGRAM:EVENTs? (Query Only)

Returns the current events and status conditions for the spectrogram measurement.

<b>Conditions</b>	Measurement views: Spectrogram
<b>Group</b>	Status commands
<b>Syntax</b>	STATus:SGRAM:EVENTs?
<b>Arguments</b>	None
<b>Returns</b>	<code>&lt;ecode&gt;,"&lt;edesc&gt;[&lt;einfo&gt;]"{,&lt;ecode&gt;,"&lt;edesc&gt;[:&lt;einfo&gt;]"}</code>



Where

<ecode> :: <NR1> is the error/event code (-32768 to 32767).

<edesc> :: <string> is the description on the error/event.

<einfo> :: <string> is the additional information on the error/event.

If there is no error, the response is 0, "No events to report".

**Examples** STATUS:SGRAM:EVENTS? might return 12026,"Acq Sampling Params: manual control", indicating that the sampling parameters are controlled manually.

## STATUS:SPECTrum:EVENTs? (Query Only)

Returns the current events and status conditions and status conditions for the spectrum measurement.

**Conditions** Measurement views: Spectrum

**Group** Status commands

**Syntax** STATUS:SPECTrum:EVENTs?

**Arguments** None

**Returns** <ecode>,"<edesc>[<einfo>]"{"<ecode>,"<edesc>[:<einfo>]"}"

Where

<ecode> :: <NR1> is the error/event code (-32768 to 32767).

<edesc> :: <string> is the description on the error/event.

<einfo> :: <string> is the additional information on the error/event.

If there is no error, the response is 0, "No events to report".

**Examples** STATUS:SPECTRUM:EVENTS? might return 12026,"Acq Sampling Params: manual control", indicating that the sampling parameters are controlled manually.

## STATUS:SPURious:EVENTs? (Query Only)

Returns the current events and status conditions for the Spurious measurement.

<b>Conditions</b>	Measurement views: Spurious
<b>Group</b>	Status commands
<b>Syntax</b>	STATUS:SPURIOUS:EVENTS?
<b>Arguments</b>	None
<b>Returns</b>	<p>&lt;ecode&gt;,"&lt;edesc&gt;[&lt;einfo&gt;]"{,&lt;ecode&gt;,"&lt;edesc&gt;[:&lt;einfo&gt;]}"</p> <p>Where</p> <p>&lt;ecode&gt; :: &lt;NR1&gt; is the error/event code (-32768 to 32767).</p> <p>&lt;edesc&gt; :: &lt;string&gt; is the description on the error/event.</p> <p>&lt;einfo&gt; :: &lt;string&gt; is the additional information on the error/event.</p> <p>If there is no error, the response is 0, "No events to report".</p>
<b>Examples</b>	STATUS:SPURIOUS:EVENTS? might return 12026,"Acq Sampling Params: manual control", indicating that the sampling parameters are controlled manually.

## STATUS:SQUALITY:EVENTS? (Query Only)

Returns the current events and status conditions for the signal quality measurement.

<b>Conditions</b>	Measurement views: Signal quality
<b>Group</b>	Status commands
<b>Syntax</b>	STATUS:SQUALITY:EVENTS?
<b>Arguments</b>	None
<b>Returns</b>	<p>&lt;ecode&gt;,"&lt;edesc&gt;[&lt;einfo&gt;]"{,&lt;ecode&gt;,"&lt;edesc&gt;[:&lt;einfo&gt;]}"</p> <p>Where</p> <p>&lt;ecode&gt; :: &lt;NR1&gt; is the error/event code (-32768 to 32767).</p> <p>&lt;edesc&gt; :: &lt;string&gt; is the description on the error/event.</p> <p>&lt;einfo&gt; :: &lt;string&gt; is the additional information on the error/event.</p>

If there is no error, the response is 0, "No events to report".

**Examples** STATUS:SQUALITY:EVENTS? might return 12026, "Acq Sampling Params: manual control", indicating that the sampling parameters are controlled manually.

## STATUS:TDiagram:EVENTS? (Query Only)

Returns the current events and status conditions for the trellis diagram measurement.

**Conditions** Measurement views: Trellis diagram

**Group** Status commands

**Syntax** STATUS:TDiagram:EVENTS?

**Arguments** None

**Returns** <ecode>, "<edesc> [<einfo>]" {, <ecode>, "<edesc>[:<einfo>]"}  
 Where

Where

<ecode> :: <NR1> is the error/event code (-32768 to 32767).

<edesc> :: <string> is the description on the error/event.

<einfo> :: <string> is the additional information on the error/event.

If there is no error, the response is 0, "No events to report".

**Examples** STATUS:TDiagram:EVENTS? might return 12026, "Acq Sampling Params: manual control", indicating that the sampling parameters are controlled manually.

## \*STB? (Query Only)

Returns the contents of the Status Byte Register (SBR) in the status/event reporting structure using the Master Summary Status (MSS) bit. Refer to Section 3, *Status and Events*, for the register information.

**Conditions** Measurement views: All

<b>Group</b>	IEEE common commands
<b>Syntax</b>	*STB?
<b>Related Commands</b>	*CLS, *ESE, *ESR?, *SRE
<b>Arguments</b>	None
<b>Returns</b>	<NR1> representing the contents of the SBR as a decimal number.
<b>Examples</b>	*STB? might return 96, indicating that the SBR contains binary 0110 0000.

## SYSTem:COMMunicate:GPIB[:SELF]:ADDRESS

Sets or queries the GPIB address of the instrument.

<b>Conditions</b>	Measurement views: All
<b>Group</b>	System commands
<b>Syntax</b>	SYSTem:COMMunicate:GPIB[:SELF]:ADDRESS <value> SYSTem:COMMunicate:GPIB[:SELF]:ADDRESS?
<b>Arguments</b>	<value> :: <NR1> specifies the GPIB address of the instrument. *RST has no effect on the value.
<b>Examples</b>	SYSTem:COMMunicate:GPIB:SELF:ADDRESS 18 sets the GPIB address to 18.

## SYSTem:DATE

Sets or queries the date (year, month, and day). This command is equivalent to the date setting through the Windows Control Panel.

<b>Conditions</b>	Measurement views: All
<b>Group</b>	System commands

**Syntax**    `SYSTem:DATE <year>, <month>, <day>`  
`SYSTem:DATE?`

**Related Commands**    [SYSTem:TIME](#)

**Arguments**    `<year>` :: `<NRf>` specifies the year (4 digits). Range: 2000 to 2099.  
`<month>` :: `<NRf>` specifies the month. Range: 1 (January) to 12 (December).  
`<day>` :: `<NRf>` specifies the day. Range: 1 to 31.  
These values are rounded to the nearest integer.  
**\*RST** has no effect on the settings.

**Examples**    `SYSTEM:DATE2008, 3, 19` sets the internal calendar to March 19, 2008.

## SYSTem:ERRor:ALL? (Query Only)

Queries the error/event queue for all the unread items and removes them from the queue. The response is a comma separated list of number, string pairs in FIFO order. For details of the error messages, refer to (See Table 3-16.)

**Conditions**    Measurement views: All

**Group**    System commands

**Syntax**    `SYSTem:ERRor:ALL?`

**Arguments**    None

**Returns**    `<ecode>, "<edesc>[;<einfo>]" {, <ecode>, "<edesc>[;<einfo>]" }`

Where

`<ecode>` :: `<NR1>` is the error/event code (-32768 to 32767).

`<edesc>` :: `<string>` is the description on the error/event.

`<einfo>` :: `<string>` is the detail of the error/event.

If the queue is empty, the response is 0, "No error; Queue empty - No events to report".

**Examples**    `SYSTEM:ERROR:ALL?` might return `-130, "Suffix error; Unrecognized suffix, INPutMLEvel -10dB"`, , indicating that the unit of the reference level is improper.

## SYSTem:ERRor:CODE:ALL? (Query Only)

Queries the error/event queue for all the unread items and removes them from the queue. The response returns a comma separated list of only the error/event code numbers in FIFO order. For details of the error messages, refer to (See Table 3-16.)

<b>Conditions</b>	Measurement views: All
<b>Group</b>	System commands
<b>Syntax</b>	SYSTem:ERRor:CODE:ALL?
<b>Arguments</b>	None
<b>Returns</b>	<ecode>{,<ecode>} Where <ecode> :: <NR1> is the error/event code, ranging from -32768 to 32767. If the queue is empty, the response is 0.
<b>Examples</b>	SYSTem:ERRor:CODE:ALL? might return -101, -108 of the error codes.

## SYSTem:ERRor:CODE[:NEXT]? (Query Only)

Queries the error/event queue for the next item and removes it from the queue. The response returns only the error/event code number omitting the string. Except for the shortened response, the query operates identically to [SYSTem:ERRor\[:NEXT\]?](#). For details of the error messages, refer to (See Table 3-16.)

<b>Conditions</b>	Measurement views: All
<b>Group</b>	System commands
<b>Syntax</b>	SYSTem:ERRor:CODE[:NEXT]?
<b>Arguments</b>	None

**Returns** <ecode> :: <NR1> is the error/event code, ranging from -32768 to 32767.

**Examples** SYSTEM:ERROR:CODE:NEXT? might return -101 of the error code.

## SYSTEM:ERROR:COUNT? (Query Only)

Queries the error/event queue for the number of unread items. As errors and events may occur at any time, more items may be present in the queue at the time it is actually read.

**Conditions** Measurement views: All

**Group** System commands

**Syntax** SYSTEM:ERROR:COUNT?

**Arguments** None

**Returns** <enum> :: <NR1> is the number of errors/events.  
If the queue is empty, the response is 0.

**Examples** SYSTEM:ERROR:COUNT? might return 2, indicating that the error/event queue contains two of unread errors/events.

## SYSTEM:ERROR[:NEXT]? (Query Only)

Queries the error/event queue for the next item and removes it from the queue. The response returns the full queue item consisting of an integer and a string. For details of the error messages, refer to (See Table 3-16.)

**Conditions** Measurement views: All

**Group** System commands

**Syntax** SYSTEM:ERROR[:NEXT]?

<b>Arguments</b>	None
<b>Returns</b>	<ecode>, "<edesc>[;<einfo>]"
	Where
	<ecode> :: <NR1> is the error/event code, ranging from -32768 to 32767.
	<edesc> :: <string> is the description on the error/event.
	<einfo> :: <string> is the additional information on the error/event.
<b>Examples</b>	SYSTEM:ERROR:NEXT? might return -130, "Suffix error; Unrecognized suffix, INPUTMLevel -10dB", indicating that the unit is improper.

## SYSTEM:KLOCK

Enables or disables the local lockout operation.

<b>Conditions</b>	Measurement views: All
<b>Group</b>	System commands
<b>Syntax</b>	SYSTEM:KLOCK { OFF   ON   0   1 } SYSTEM:KLOCK?
<b>Arguments</b>	OFF or 0 disables the local lockout operation. ON or 1 enables the local lockout operation.
<b>Examples</b>	SYSTEM:KLOCK ON enables the local lockout operation.

## SYSTEM:OPTions? (Query Only)

Queries the options installed in the analyzer. This command is equivalent to the IEEE common command [\\*OPT?](#).

<b>Conditions</b>	Measurement views: All
<b>Group</b>	System commands



---

<b>Syntax</b>	SYSTem:OPTions?
<b>Arguments</b>	None
<b>Returns</b>	<option> :: <string> contains the comma-separated option numbers.
<b>Examples</b>	SYSTem:OPTIONS? might return "01,02,20", indicating that Option 01, 02, and 20 are currently installed in the analyzer.

## SYSTem:PRESet (No Query Form)

Restores the analyzer to the defaults. This command is equivalent to the **Preset** key on the front panel.

<b>Conditions</b>	Measurement views: All
<b>Group</b>	System commands
<b>Syntax</b>	SYSTem:PRESet
<b>Arguments</b>	None
<b>Examples</b>	SYSTem:PRESET restores the analyzer to the defaults.

## SYSTem:PRESet:MAIN (No Query Form)

Restores the analyzer to the defaults. This command is equivalent to the [SYSTem:PRESet](#) command.

<b>Conditions</b>	Measurement views: All
<b>Group</b>	System commands
<b>Syntax</b>	SYSTem:PRESet:MAIN { CURRENT   V1 } SYSTem:PRESet:MAIN?

- Arguments**    **CURRENT** restores the analyzer of the current version or later.  
                  **V1** restores the analyzer of the previous versions.
- Examples**     **SYSTEM:PRESET:MAIN CURRENT** restores the analyzer to the defaults of the current version.

## **SYSTEM:PRESET:MAIN:ACTION**

Sets or queries the preset action for the main preset type.

- Conditions**    Measurement views: All
- Group**         System commands
- Syntax**        **SYSTEM:PRESET:MAIN:ACTION { RECALL | SHOW }**  
**SYSTEM:PRESET:MAIN:ACTION?**
- Arguments**    **RECALL** recalls the selected preset for the main preset type.  
                  **SHOW** lists the available presets for the main preset type.
- Examples**     **SYSTEM:PRESET:MAIN:ACTION SHOW** lists the available presets for the main preset type.

## **SYSTEM:PRESET:MAIN:SELECTED**

Sets or queries the presets for the main preset type.

- Conditions**    Measurement views: All
- Group**         System commands
- Syntax**        **SYSTEM:PRESET:MAIN:SELECTED { CURRENT | V1 }**  
**SYSTEM:PRESET:MAIN:SELECTED?**
- Arguments**    **CURRENT** selects the current version of the main preset.  
                  **V1** selects the previous versions of the main preset.

**Examples**    `SYSTEM:PRESET:MAIN:SELECTED CURRENT` selects the current version of the main preset.

## SYSTem:PRESet:APPLication (No Query Form)

Restores the analyzer to the defaults for the application preset type.

**Conditions**    Measurement views: All

**Group**    System commands

**Syntax**    `SYSTem:PRESet:APPLication { TIMFreq | SPECTrum | MODanalysis  
| PULSe | SPURious }`

**Arguments**    `TIMFreq` displays the time-frequency analysis for the spectrum and spectrogram.  
`SPECTrum` displays the spectrum analysis.  
`MODanalysis` displays the symbol table, constellation, and signal quality for the DPX spectrum.  
`PULSe` displays the pulse trace, pulse table, and time overview for the DPX spectrum.  
`SPURious` displays the spurious display for the RF measurements.

**Examples**    `SYSTEM:PRESET:APPLICATION TIMFreq` displays the time-frequency analysis for the spectrum and spectrogram.

## SYSTem:PRESet:APPLication:ACTion

Sets or queries the preset action for the application preset type.

**Conditions**    Measurement views: All

**Group**    System commands

**Syntax**    `SYSTem:PRESet:APPLication:ACTion { RECall | SHOW }  
SYSTem:PRESet:APPLication:ACTion?`

- Arguments** RECa11 recalls the selected preset for the application preset type.  
SHOW lists the available presets for the application preset type.
- Examples** SYSTEM:PRESET:APPLICATION:ACTION SHOW lists the available presets for the application preset type.

## SYSTem:PRESet:APPLication:SElected

Sets or queries the presets for the application preset type.

- Conditions** Measurement views: All
- Group** System commands
- Syntax** SYSTem:PRESet:APPLication:SElected { TIMFreq | SPECTrum | MODanalysis | PULSE | SPURious }  
SYSTem:PRESet:APPLication:SElected?
- Arguments** TIMFreq sets the presets to the time-frequency analysis.  
SPECTrum sets the presets to the spectrum analysis.  
MODanalysis sets the presets to the modulation analysis.  
PULSE sets the presets to the pulse analysis.  
SPURious sets the presets to the spurious analysis (9 k to 1 GHz).
- Examples** SYSTEM:PRESET:APPLICATION:SELECTED TIMFreq sets the presets to the time-frequency analysis.

## SYSTem:PRESet:DPX (No Query Form)

Restores the analyzer to the defaults for the DPX preset type.

- Conditions** Measurement views: All
- Group** System commands
- Syntax** SYSTem:PRESet:DPX { SWEPT | REALtime | ZERospan }

**Arguments**    `SWEPT` restores the setup of the Swept DPX measurement.  
                   `REALtime` restores the setup of the Realtime DPX measurement (110 MHz span).  
                   `ZEROSpan` restores the setup of the Zero Span DPX measurement.

**Examples**     `SYSTEM:PRESET:DPX REALtime` restores the DPX spectrum to realtime.

## SYSTEM:PRESet:DPX:ACTion

Sets or queries the preset action for the DPX preset type.

**Conditions**    Measurement views: All

**Group**         System commands

**Syntax**        `SYSTEM:PRESet:DPX:ACTion { RECa11 | SHOW }`  
`SYSTEM:PRESet:DPX:ACTion?`

**Arguments**    `RECa11` recalls the selected preset for the DPX preset type.  
                   `SHOW` lists the available presets for the DPX preset type.

**Examples**     `SYSTEM:PRESET:DPX:ACTION SHOW` lists the available presets for the DPX preset type.

## SYSTEM:PRESet:DPX:SElected

Sets or queries the presets for the DPX preset type.

**Conditions**    Measurement views: All

**Group**         System commands

**Syntax**        `SYSTEM:PRESet:DPX:SElected { SWEPT | REALtime | ZEROSpan }`  
`SYSTEM:PRESet:DPX:SElected?`

**Arguments**    `SWEPT` sets the DPX measurement to Swept mode.  
                   `REALtime` sets the DPX measurement to Realtime mode (110 MHz span).

ZEROSpan sets the DPX measurement to Zero Span mode.

**Examples** SYSTEM:PRESET:DPX:SELECTED REALtime sets the DPX spectrum to realtime

## SYSTEM:PRESet:USER (No Query Form)

Restores the analyzer to the defaults for the user preset type.

**Conditions** Measurement views: All

**Group** System commands

**Syntax** SYSTEM:PRESet:USER <file\_name>

**Arguments** <file\_name> :: <string> specifies the user presets file to restore. The file extension is .Setup. You can omit the extension.

**Examples** SYSTEM:PRESET:USER "Spectrum" restores the defaults of the file "Spectrum.Setup" from the C:\RSA6100A Files\User Presets directory.

## SYSTEM:PRESet:USER:ACTion

Sets or queries the preset action for the user preset type.

**Conditions** Measurement views: All

**Group** System commands

**Syntax** SYSTEM:PRESet:USER:ACTion { RECa11 | SHOW }  
SYSTEM:PRESet:USER:ACTion?

**Arguments** RECa11 recalls the selected preset for the user preset type.  
SHOW lists the available presets for the user preset type.

**Examples** SYSTEM:PRESET:USER:ACTION SHOW lists the available presets for the User preset type.

## SYSTem:PRESet:USER:SElected

Sets or queries the presets for the user preset type.

**Conditions** Measurement views: All

**Group** System commands

**Syntax** SYSTem:PRESet:USER:SElected <file\_name>  
SYSTem:PRESet:USER:SElected?

**Arguments** <file\_name> :: <string> specifies the user presets file to set. The file extension is .Setup. You can omit the extension.

**Examples** SYSTem:PRESet:USER:SElected "Spectrum" sets the user preset to "Spectrum.Setup" saved in C:\RSA6100A Files\User Presets directory.

## SYSTem:TIME

Sets or queries the time (hours, minutes, and seconds). This command is equivalent to the time setting through the Windows Control Panel.

**Conditions** Measurement views: All

**Group** System commands

**Syntax** SYSTem:TIME <hour>,<minute>,<second>  
SYSTem:TIME?

**Related Commands** [SYSTem:DATE](#)

**Arguments** <hour> :: <NRf> specifies the hours. Range: 0 to 23.  
<minute> :: <NRf> specifies the minutes. Range: 0 to 59.  
<second> :: <NRf> specifies the seconds. Range: 0 to 59.  
These values are rounded to the nearest integer.

\*RST has no effect on the settings.

**Examples** SYSTem:TIME10,15,30 sets the time to 1015:30.

## SYSTem:VERSion? (Query Only)

Returns the SCPI version number for which the analyzer complies.

<b>Conditions</b>	Measurement views: All
<b>Group</b>	System commands
<b>Syntax</b>	SYSTem:VERSion?
<b>Arguments</b>	None
<b>Returns</b>	<NR2> has the form YYYY.V where the Ys represent the year-version (for example, 1999) and the V represents an approved revision number for that year.
<b>Examples</b>	SYSTEM:VERSION? might return 1999.0 for the SCPI version.

## TRACe:{AM|FM|PM}

Determines whether or not to show the trace in the AM/FM/PM view.

<b>Conditions</b>	Measurement views: AM, FM, PM
<b>Group</b>	Trace commands
<b>Syntax</b>	TRACe:{AM FM PM} { OFF   ON   0   1 } TRACe:{AM FM PM}?
<b>Arguments</b>	OFF or 0 hides the trace in the AM, FM, or PM view. ON or 1 shows the trace in the AM, FM, or PM view.
<b>Examples</b>	TRACE:AM ON shows the trace in the AM view.



## TRACe:{AM|FM|PM}:DETection

Sets or queries the display detector, the method to be used for decimating traces to fit the available horizontal space on screen. The number of horizontal pixels on screen is generally smaller than that of waveform data points. When actually displayed, the waveform data is therefore thinned out, according to the number of pixels, for being compressed.

<b>Conditions</b>	Measurement views: AM, FM, PM
<b>Group</b>	Trace commands
<b>Syntax</b>	TRACe:{AM FM PM}:DETection { AVERAge   POSitive   NEGative } TRACe:{AM FM PM}:DETection?
<b>Arguments</b>	AVERAge displays the average data value for each pixel. POSitive displays the maximum data value for each pixel. NEGative displays the minimum data value for each pixel.
<b>Examples</b>	TRACe:AM:DETECTION AVERAge specifies that the trace displays the average data value for each pixel.

## TRACe:{AM|FM|PM}:FREeze

Determines whether or not to freeze the trace display in the AM/FM/PM view.

<b>Conditions</b>	Measurement views: AM, FM, PM
<b>Group</b>	Trace commands
<b>Syntax</b>	TRACe:{AM FM PM}:FREeze { OFF   ON   0   1 } TRACe:{AM FM PM}:FREeze?
<b>Arguments</b>	OFF or 0 updates the trace display normally. ON or 1 stops updating the trace display.
<b>Examples</b>	TRACe:AM:FREEZE ON freezes the trace display.

## TRACe:{AM|FM|PM}:FUNCTion

Sets or queries the trace function in the AM/FM/PM view.

<b>Conditions</b>	Measurement views: AM, FM, PM
<b>Group</b>	Trace commands
<b>Syntax</b>	TRACe:{AM FM PM}:FUNCTion { NORMa1 } TRACe:{AM FM PM}:FUNCTion?
<b>Arguments</b>	NORMa1 selects the normal display.
<b>Examples</b>	TRACe:AM:FUNCTION NORMa1 selects the normal display in the AM view.

## TRACe:CONStE:MODE

Sets or queries how to display the constellation trace.

<b>Conditions</b>	Measurement views: Constellation
<b>Group</b>	Trace commands
<b>Syntax</b>	TRACe:CONStE:MODE { VECTors   SYMBols } TRACe:CONStE:MODE?
<b>Arguments</b>	VECTors connects adjacent symbol points with the signal locus. SYMBols displays individual symbol points.
<b>Examples</b>	TRACe:CONStE:MODEVECTors shows the constellation connecting adjacent symbol points with the signal locus.

## TRACe:DIQVtime:ENABle:I

Determines whether to show or hide the I trace in the Demod I&Q versus Time measurement.

**Conditions** Measurement views: Demod I&Q versus Time

**Group** Trace commands

**Syntax** TRACe:DIQVtime:ENABle:I { OFF | ON | 0 | 1 }  
TRACe:DIQVtime:ENABle:I?

**Arguments** OFF or 0 hides the I trace.  
ON or 1 shows the I trace.

**Examples** TRACe:DIQVTIME:ENABle:ION shows the I trace in the Demod I&Q versus Time measurement.

## TRACe:DIQVtime:ENABle:Q

Determines whether to show or hide the Q trace in the Demod I&Q versus Time measurement.

**Conditions** Measurement views: Demod I&Q versus Time

**Group** Trace commands

**Syntax** TRACe:DIQVtime:ENABle:Q { OFF | ON | 0 | 1 }  
TRACe:DIQVtime:ENABle:Q?

**Arguments** OFF or 0 hides the Q trace.  
ON or 1 shows the Q trace.

**Examples** TRACe:DIQVTIME:ENABle:QON shows the Q trace in the Demod I&Q versus Time measurement.

## TRACe:DIQVtime:SElect:I

Selects the I trace in the Demod I&Q versus Time. The query version of this command returns whether the I trace is selected or not.

<b>Conditions</b>	Measurement views: Demod I&Q versus Time
<b>Group</b>	Trace commands
<b>Syntax</b>	TRACe:DIQVtime:SElect:I TRACe:DIQVtime:SElect:I?
<b>Arguments</b>	None
<b>Returns</b>	{ 0   1 } 0 indicates that the I trace is deselected. 1 indicates that the I trace is selected.
<b>Examples</b>	TRACe:DIQVTIME:SElect:I selects the I trace in the Demod I&Q versus Time.

## TRACe:DIQVtime:SElect:Q

Selects the Q trace in the Demod I&Q versus Time. The query version of this command returns whether the Q trace is selected or not.

<b>Conditions</b>	Measurement views: Demod I&Q versus Time
<b>Group</b>	Trace commands
<b>Syntax</b>	TRACe:DIQVtime:SElect:Q TRACe:DIQVtime:SElect:Q?
<b>Arguments</b>	None
<b>Returns</b>	{ 0   1 } 0 indicates that the Q trace is deselected.

1 indicates that the Q trace is selected.

**Examples** TRACE:DIQVTIME:SELECT:Q selects the Q trace in the Demod I&Q versus Time.

## TRACe:EDIagram:ENABLE:I

Determines whether to show or hide the I trace in the eye diagram.

**Conditions** Measurement views: Eye diagram

**Group** Trace commands

**Syntax** TRACe:EDIagram:ENABle:I { OFF | ON | 0 | 1 }  
TRACe:EDIagram:ENABle:I?

**Arguments** OFF or 0 hides the I trace.

ON or 1 shows the I trace.

**Examples** TRACE:EDIAGRAM:ENABLE:ION shows the I trace in the eye diagram.

## TRACe:EDIagram:ENABLE:Q

Determines whether to show or hide the Q trace in the eye diagram.

**Conditions** Measurement views: Eye diagram

**Group** Trace commands

**Syntax** TRACe:EDIagram:ENABle:Q { OFF | ON | 0 | 1 }  
TRACe:EDIagram:ENABle:Q?

**Arguments** OFF or 0 hides the Q trace.

ON or 1 shows the Q trace.

**Examples** TRACE:EDIAGRAM:ENABLE:QON shows the Q trace in the eye diagram.

## TRACe:EDIagram:SElect:I

Selects the I trace in the eye diagram. The query version of this command returns whether the I trace is selected or not.

**Conditions** Measurement views: Eye diagram

**Group** Trace commands

**Syntax** TRACe:EDIagram:SElect:I  
TRACe:EDIagram:SElect:I?

**Arguments** None

**Returns** { 0 | 1 }

0 indicates that the I trace is deselected.  
1 indicates that the I trace is selected.

**Examples** TRACe:EDIAGRAM:SELECT:I selects the I trace in the eye diagram.

## TRACe:EDIagram:SElect:Q

Selects the Q trace in the eye diagram. The query version of this command returns whether the Q trace is selected or not.

**Conditions** Measurement views: Eye diagram

**Group** Trace commands

**Syntax** TRACe:EDIagram:SElect:Q  
TRACe:EDIagram:SElect:Q?

**Arguments** None

**Returns** { 0 | 1 }

0 indicates that the Q trace is deselected.

1 indicates that the Q trace is selected.

**Examples** TRACE:EDIAGRAM:SELECT:Q selects the Q trace in the eye diagram.

## TRACe:EVM:MODE

Sets or queries whether to display the EVM vs Time trace as vectors or symbols (points).

**Conditions** Measurement view: EVM vs Time

**Group** Trace commands

**Syntax** TRACE:EVM:MODE { VECTors | SYMBols }

**Arguments** VECTors displays the trace in a format that uses lines to connecting points in the trace display.  
SYMBols displays the trace in a format that does not use lines to connect points in the trace display.

**Examples** TRACE:EVM:MODE VECTORS sets the display to connect points in the display with lines.

## TRACe:DIQVtime:MODE

Sets or queries whether to display the Demod I&Q vs Time trace as vectors or symbols (points).

**Conditions** Measurement view: Demod I&Q vs Time

**Group** Trace commands

**Syntax** TRACE:DIQVtime:MODE { VECTors | SYMBols }

**Arguments** VECTors displays the trace in a format that uses lines to connecting points in the trace display.

SYMBOLS displays the trace in a format that does not use lines to connect points in the trace display.

**Examples** TRACE:DIQVTIME:MODE SYMBOLS sets the display to show symbols without lines connecting points.

## TRACe:FDVTime:MODE

Sets or queries whether to display the Frequency Deviation vs Time trace as vectors or symbols (points).

**Conditions** Measurement view: Freq Dev vs Time

**Group** Trace commands

**Syntax** TRACe:FDVTime:MODE { VECTORS | SYMBOLS }

**Arguments** VECTORS displays the trace in a format that uses lines to connecting points in the trace display.  
SYMBOLS displays the trace in a format that does not use lines to connect points in the trace display.

**Examples** TRACe:FDVTime:MODE VECTORS sets the display to connect points in the display with lines.

## TRACe:FVTime

Determines whether or not to show the trace in the Frequency versus Time view.

**Conditions** Measurement views: Frequency versus Time

**Group** Trace commands

**Syntax** TRACe:FVTime { OFF | ON | 0 | 1 }  
TRACe:FVTime?



**Arguments** OFF or 0 hides the trace in the Frequency versus Time view.  
ON or 1 shows the trace in the Frequency versus Time view.

**Examples** TRACE:FVTIMEON shows the trace in the Frequency versus Time view.

## TRACe:FVTime:AVERAge:COUNT

Sets or queries the number of traces to combine. This command is effective when you select AVERAge with the [TRACe:FVTime:FUNcTion](#) command.

**Conditions** Measurement views: Frequency versus Time

**Group** Trace commands

**Syntax** TRACe:FVTime:AVERAge:COUNT <number>  
TRACe:FVTime:AVERAge:COUNT?

**Arguments** <number> :: <NR1> specifies the number of traces to combine for averaging.  
Range: 1 to 10000.

**Examples** TRACE:FVTIME:AVERAGE:COUNT64 sets the average count to 64.

## TRACe:FVTime:COUNT

Sets or queries how many acquisitions run in the single acquisition mode for the Max or Min Hold trace in the Frequency versus Time measurement. This command is effective when [TRACe:FVTime:FUNcTion](#) is set to MAXHold or MINHold and [INITiate:CONTinuous](#) is set to OFF.

**Conditions** Measurement views: Frequency versus Time

**Group** Trace commands

**Syntax** TRACe:FVTime:COUNT <number>  
TRACe:FVTime:COUNT?

**Arguments**     <number> :: <NR1> specifies the count for Max/Min Hold.  
Range: 1 to 10000.

**Examples**     TRACe:FVTime:COUNT 32 sets the count to 32 for the Max/Min Hold trace.

## TRACe:FVTime:COUNT:ENABLE

Determines whether to enable or disable the count for the Max or Min Hold trace in the Frequency versus Time view. This command is effective when [TRACe:FVTime:FUNCTION](#) is set to MAXHold or MINHold.

**Conditions**     Measurement views: Frequency versus Time

**Group**           Trace commands

**Syntax**          TRACe:FVTime:COUNT:ENABLe { OFF | ON | 0 | 1 }  
TRACe:FVTime:COUNT:ENABLe?

**Arguments**     OFF or 0 disables the count for the Max/Min Hold trace.  
ON or 1 enables the count for the Max/Min Hold trace.

**Examples**     TRACe:FVTime:COUNT:ENABLe ON enables the Max/Min Hold count.

## TRACe:FVTime:COUNT:RESet (No Query Form)

Clears the Max or Min Hold data and counter, and restarts the process in the Frequency versus Time view. This command is effective when [TRACe:FVTime:FUNCTION](#) is set to MAXHold or MINHold.

**Conditions**     Measurement views: Frequency versus Time

**Group**           Trace commands

**Syntax**          TRACe:FVTime:COUNT:RESet

**Arguments**     None

**Examples**    `TRACe:FVTime:COUNT:RESet` clears the Max/Min Hold data and counter, and restarts the process.

## **TRACe:FVTime:FREeze**

Determines whether or not to freeze the display of the trace in the Frequency versus Time measurement.

**Conditions**    Measurement views: Frequency versus Time

**Group**    Trace commands

**Syntax**    `TRACe:FVTime:FREeze { OFF | ON | 0 | 1 }`  
`TRACe:FVTime:FREeze?`

**Arguments**    OFF or 0 updates the display of the trace normally.  
ON or 1 stops updating the display of the trace.

**Examples**    `TRACe:FVTIME:FREEZEON` stops updating the display of the trace.

## TRACe:FVTime:FUNcTION

Sets or queries the trace function in the Frequency versus Time measurement.

**Conditions** Measurement views: Frequency versus Time

**Group** Trace commands

**Syntax** TRACe:FVTime:FUNcTION { NORMAl | AVERAge | MAXHOld | MINHOld }  
TRACe:FVTime:FUNcTION?

**Arguments** NORMAl selects the normal waveform display.  
AVERAge selects the Average display that indicates the average frequency drift at each time point.  
MAXHOld selects the Max Hold display that indicates the maximum frequency drift at each time point.  
MINHOld selects the Min Hold display that indicates the minimum frequency drift at each time point.

**Examples** TRACe:FVTime:FUNcTIONMAXHOld displays the Max Hold trace in the Frequency versus Time measurement.

## TRACe:IQVTime:AVERAge:COUNT

Sets or queries the number of traces to combine. This command works for both I and Q traces when you select AVERAge in the [TRACe:IQVTime:FUNcTION](#) command.

**Conditions** Measurement views: RF I&Q versus Time

**Group** Trace commands

**Syntax** TRACe:IQVTime:AVERAge:COUNT <number>  
TRACe:IQVTime:AVERAge:COUNT?

**Arguments** <number> :: <NR1> specifies the number of traces to combine for averaging. Range: 1 to 10000.

**Examples** TRACE:IQVTIME:AVERAGE:COUNT64 sets the average count to 64.

## TRACe:IQVTime:COUNT

Sets or queries how many acquisitions run in the single acquisition mode for the Max or Min Hold trace in the RF I&Q versus Time measurement. This command is effective when [TRACe:IQVTime:FUNCTION](#) is set to MAXHold or MINHold and [INITiate:CONTinuous](#) is set to OFF.

**Conditions** Measurement views: RF I&Q versus Time

**Group** Trace commands

**Syntax** TRACE:IQVTime:COUNT <number>  
TRACE:IQVTime:COUNT?

**Arguments** <number> :: <NR1> specifies the count for Max/Min Hold.  
Range: 1 to 10000.

**Examples** TRACE:IQVTIME:COUNT32 sets the count to 32 for the Max/Min Hold trace.

## TRACe:IQVTime:COUNT:ENABLE

Determines whether to enable or disable the count for the Max or Min Hold trace in the RF I&Q versus Time view. This command is effective when [TRACe:IQVTime:FUNCTION](#) is set to MAXHold or MINHold.

**Conditions** Measurement views: RF I&Q versus Time

**Group** Trace commands

**Syntax** TRACe:IQVTime:COUNT:ENABLE { OFF | ON | 0 | 1 }  
TRACe:IQVTime:COUNT:ENABLE?

**Arguments** OFF or 0 disables the count for the Max/Min Hold trace.  
ON or 1 enables the count for the Max/Min Hold trace.

**Examples** TRACE:IQVTIME:COUNT:ENABLEON enables the Max/Min Hold count.

## TRACe:IQVTime:COUnT:RESet (No Query Form)

Clears the Max or Min Hold data and counter, and restarts the process in the RF I&Q versus Time view. This command is effective when [TRACe:IQVTime:FUnCtion](#) is set to MAXHold or MINHold.

**Conditions** Measurement views: RF I&Q versus Time

**Group** Trace commands

**Syntax** TRACe:IQVTime:COUnT:RESet

**Arguments** None

**Examples** TRACE:IQVTIME:COUNT:RESET clears the Max/Min Hold data and counter, and restarts the process.

## TRACe:IQVTime:DETEction

Sets or queries the detection method for the RF I&Q versus Time view.

**Conditions** Measurement views: RF I&Q versus Time

**Group** Trace commands

**Syntax** TRACe:IQVTime:DETEction { AVERAge | POSitive | NEGative | POSNegative | SAMPle }  
TRACe:IQVTime:DETEction?

**Arguments** AVERAge displays the average data value for each pixel.  
POSitive displays the maximum data value for each pixel.  
NEGative displays the minimum data value for each pixel.  
POSNegative displays the maximum and minimum data values for each pixel.  
SAMPle displays the first sample value received for each pixel.

**Examples** TRACE:IQVTIME:DETECTIONAVERAGE enables display of the average value for each pixel.

## TRACe:IQVTime:ENABle:I

Determines whether to show or hide the I trace in the RF I&Q versus Time measurement.

**Conditions** Measurement views: RF I&Q versus Time

**Group** Trace commands

**Syntax** TRACe:IQVTime:ENABle:I { OFF | ON | 0 | 1 }  
TRACe:IQVTime:ENABle:I?

**Arguments** OFF or 0 hides the I trace.  
ON or 1 shows the I trace.

**Examples** TRACE:IQVTIME:ENABle:ION shows the I trace in the RF I&Q versus Time measurement.

## TRACe:IQVTime:ENABle:Q

Determines whether to show or hide the Q trace in the RF I&Q versus Time measurement.

**Conditions** Measurement views: RF I&Q versus Time

**Group** Trace commands

**Syntax** TRACe:IQVTime:ENABle:Q { OFF | ON | 0 | 1 }  
TRACe:IQVTime:ENABle:Q?

**Arguments** OFF or 0 hides the Q trace.  
ON or 1 shows the Q trace.

**Examples** TRACE:IQVTIME:ENABLE:QON shows the Q trace in the IQ level versus Time measurement.

## TRACe:IQVTime:FREeze

Determines whether to freeze the IQ traces in the RF I&Q versus Time measurement.

**Conditions** Measurement views: RF I&Q versus Time

**Group** Trace commands

**Syntax** TRACe:IQVTime:FREeze { OFF | ON | 0 | 1 }  
TRACe:IQVTime:FREeze?

**Arguments** OFF or 0 updates IQ trace display normally.  
ON or 1 stops updating IQ trace display.

**Examples** TRACE:IQVTIME:FREEZEON freezes the IQ traces.

## TRACe:IQVTime:FUNCTion

Sets or queries the trace function in the RF I&Q versus Time measurement.

**Conditions** Measurement views: RF I&Q versus Time

**Group** Trace commands

**Syntax** TRACe:IQVTime:FUNCTion { NORMAl | AVERAge | MAXHOld | MINHOld }  
TRACe:IQVTime:FUNCTion?

**Arguments** NORMAl selects the normal waveform display.  
AVERAge selects the Average display that indicates the average signal level at each time point.  
MAXHOld selects the Max Hold display that indicates the maximum signal level at each time point.



`MINHold` selects the Min Hold display that indicates the minimum signal level at each time point.

**Examples** `TRACE:IQVTIME:FUNCTIONMAXHold` displays the Max Hold trace in the IQ level versus Time measurement.

## TRACe:IQVTime:SElect:I

Determines whether or not to select the I trace to obtain the maximum and minimum measurement results.

**Conditions** Measurement views: RF I&Q versus Time

**Group** Trace commands

**Syntax** `TRACe:IQVTime:SElect:I { OFF | ON | 0 | 1 }`  
`TRACe:IQVTime:SElect:I?`

**Related Commands** [TRACe:IQVTime:SElect:Q](#)

**Arguments** OFF or 0 deselects the I trace.  
ON or 1 selects the I trace.  
Executing `TRACe:IQVTime:SElect:I ON` sets `TRACe:IQVTime:SElect:Q OFF`.

**Examples** `TRACE:IQVTIME:SELECT:ION` selects the I trace in the RF I&Q versus Time measurement.

## TRACe:IQVTime:SElect:Q

Determines whether or not to select the Q trace to obtain the maximum and minimum measurement results.

**Conditions** Measurement views: RF I&Q versus Time

**Group** Trace commands

**Syntax** TRACe:IQVTime:SElect:Q { OFF | ON | 0 | 1 }  
 TRACe:IQVTime:SElect:Q?

**Related Commands** [TRACe:IQVTime:SElect:I](#)

**Arguments** OFF or 0 deselects the Q trace.  
 ON or 1 selects the Q trace.  
 Executing TRACe:IQVTime:SElect:Q ON sets TRACe:IQVTime:SElect:I OFF.

**Examples** TRACE:IQVTIME:SELECT:QON selects the Q trace in the RF I&Q versus Time measurement.

## TRACe:MERRor:MODE

Sets or queries whether to display the Magnitude error trace as vectors or symbols (points).

**Conditions** Measurement view: Magnitude error

**Group** Trace commands

**Syntax** TRACe:MERRor:MODE { VECTors | SYMBols }

**Arguments** VECTors displays the trace in a format that uses lines to connecting points in the trace display.  
 SYMBols displays the trace in a format that does not use lines to connect points in the trace display.

**Examples** TRACE:MERRor:MODE SYMBOLS sets the display to show symbols without lines connecting points.

## TRACe:OBW:MAXHold

Determines whether or not to perform a Max Hold on the spectrum data for the Occupied Bandwidth trace.

**Conditions** Measurement views: Occupied Bandwidth

---

<b>Group</b>	Trace commands
<b>Syntax</b>	TRACe:OBW:MAXHo1d { OFF   ON   0   1 } TRACe:OBW:MAXHo1d?
<b>Arguments</b>	OFF or 0 does not perform a Max Hold on the spectrum data. ON or 1 performs a Max Hold on the spectrum data.
<b>Examples</b>	TRACe:OBW:MAXHOLDON performs a Max Hold on the spectrum data for the Occupied Bandwidth trace.

## TRACe:OFDM:CONSte

Determines whether or not to show the trace in the OFDM Constellation view.

<b>Conditions</b>	Measurement views: OFDM
<b>Group</b>	Trace commands
<b>Syntax</b>	TRACe:OFDM:CONSte { OFF   ON   0   1 } TRACe:OFDM:CONSte?
<b>Arguments</b>	OFF or 0 hides the trace in the view. ON or 1 shows the trace in the view.
<b>Examples</b>	TRACe:OFDM:CONStE ON shows the trace in the OFDM Constellation view

## TRACe:OFDM:CONSte:FReeze

Determines whether or not to freeze the display of the trace in the OFDM Constellation view.

<b>Conditions</b>	Measurement views: OFDM
<b>Group</b>	Trace commands

**Syntax** TRACE:OFDM:CONStE:FReeze { OFF | ON | 0 | 1 }  
TRACE:OFDM:CONStE:FReeze?

**Arguments** OFF or 0 updates the display of the trace normally.  
ON or 1 stops updating the display of the trace.

**Examples** TRACE:OFDM:CONStE:FReeze ON freezes the trace in the OFDM Constellation view.

## TRACe:PERRor:MODE

Sets or queries whether to display the Frequency Deviation vs Time trace as vectors or symbols (points).

**Conditions** Measurement view: Phase error

**Group** Trace commands

**Syntax** TRACE:PERRor:MODE { VECTors | SYMBols }

**Arguments** VECTors displays the trace in a format that uses lines to connecting points in the trace display.  
SYMBols displays the trace in a format that does not use lines to connect points in the trace display.

**Examples** TRACE:PERRor:MODE VECTors sets the display to connect points in the display with lines.

## TRACe:PHVTime

Determines whether or not to show the trace in the Phase versus Time view.

<b>Conditions</b>	Measurement views: Phase versus Time
<b>Group</b>	Trace commands
<b>Syntax</b>	TRACe:PHVTime { OFF   ON   0   1 } TRACe:PHVTime?
<b>Arguments</b>	OFF or 0 hides the trace in the Phase versus Time view. ON or 1 shows the trace in the Phase versus Time view.
<b>Examples</b>	TRACE:PHVTIMEON shows the trace in the Phase versus Time view.

## TRACe:PHVTime:AVERAge:COUNT

Sets or queries the number of traces to combine. This command is effective when you select AVERAge with the [TRACe:PHVTime:FUNCTion](#) command.

<b>Conditions</b>	Measurement views: Phase versus Time
<b>Group</b>	Trace commands
<b>Syntax</b>	TRACe:PHVTime:AVERAge:COUNT <number> TRACe:PHVTime:AVERAge:COUNT?
<b>Arguments</b>	<number> :: <NR1> specifies the number of traces to combine for averaging. Range: 1 to 10000.
<b>Examples</b>	TRACE:PHVTIME:AVERAGE:COUNT64 sets the average count to 64.

## TRACe:PHVTime:COUNT

Sets or queries how many acquisitions run in the single acquisition mode for the Max or Min Hold trace in the Phase versus Time measurement. This command is effective when [TRACe:PHVTime:FUNCTION](#) is set to MAXHold or MINHold and [INITiate:CONTInuous](#) is set to OFF.

<b>Conditions</b>	Measurement views: Phase versus Time
<b>Group</b>	Trace commands
<b>Syntax</b>	TRACe:PHVTime:COUNT <number> TRACe:PHVTime:COUNT?
<b>Arguments</b>	<number> :: <NR1> specifies the count for Max/Min Hold. Range: 1 to 10000.
<b>Examples</b>	TRACE:PHVTIME:COUNT32 sets the count to 32 for the Max/Min Hold trace.

## TRACe:PHVTime:COUNT:ENABLE

Determines whether to enable or disable the count for the Max or Min Hold trace in the Phase versus Time view. This command is effective when [TRACe:PHVTime:FUNCTION](#) is set to MAXHold or MINHold.

<b>Conditions</b>	Measurement views: Phase versus Time
<b>Group</b>	Trace commands
<b>Syntax</b>	TRACe:PHVTime:COUNT:ENABle { OFF   ON   0   1 } TRACe:PHVTime:COUNT:ENABle?
<b>Related Commands</b>	
<b>Arguments</b>	OFF or 0 disables the count for the Max/Min Hold trace. ON or 1 enables the count for the Max/Min Hold trace.
<b>Examples</b>	TRACE:PHVTIME:COUNT:ENABLEON enables the Max/Min Hold count.

## TRACe:PHVTime:COUNT:RESet (No Query Form)

Clears the Max or Min Hold data and counter, and restarts the process in the Phase versus Time view. This command is effective when [TRACe:PHVTime:FUNCTION](#) is set to MAXHold or MINHold.

<b>Conditions</b>	Measurement views: Phase versus Time
<b>Group</b>	Trace commands
<b>Syntax</b>	TRACe:PHVTime:COUNT:RESet
<b>Arguments</b>	None
<b>Examples</b>	TRACe:PHVTime:COUNT:RESet clears the Max/Min Hold data and counter, and restarts the process.

## TRACe:PHVTime:FREeze

Determines whether to freeze the trace display in the Phase versus Time measurement.

<b>Conditions</b>	Measurement views: Phase versus Time
<b>Group</b>	Trace commands
<b>Syntax</b>	TRACe:PHVTime:FREeze { OFF   ON   0   1 } TRACe:PHVTime:FREeze?
<b>Arguments</b>	OFF or 0 updates the trace display normally. ON or 1 stops updating trace display.
<b>Examples</b>	TRACe:PHVTime:FREezeON stops updating trace display.

## TRACe:PHVTime:FUNcTion

Sets or queries the trace function in the Phase versus Time measurement.

**Conditions** Measurement views: Phase versus Time

**Group** Trace commands

**Syntax** TRACe:PHVTime:FUNcTion { NORMAl | AVERAge | MAXHOld | MINHOld }  
TRACe:PHVTime:FUNcTion?

**Arguments** NORMAl selects the normal waveform display.

AVERAge selects the Average display that indicates the average phase drift at each time point.

MAXHOld selects the Max Hold display that indicates the maximum phase drift at each time point.

MINHOld selects the Min Hold display that indicates the minimum phase drift at each time point.

POSnegative displays the maximum and minimum data values for each pixel.

SAMPle displays the first sample value received for each pixel.

**Examples** TRACe:PHVTime:FUNcTIONMAXHOld displays the Max Hold trace in the Phase versus Time measurement.

## TRACe:SEM:COUNT

Sets or queries how many acquisitions run in the single acquisition mode for multi-trace functions (Max Hold and Average) in the Spectral Emissions Mask measurement. This command is effective when [TRACe:SEM:FUNcTion](#) is set to MAXHold or AVERAge and [INITiate:CONTinuous](#) is set to OFF.

**Conditions** Measurement views: Spectral Emissions Mask

**Group** Trace commands

**Syntax** TRACe:SEM:COUNT <number>  
TRACe:SEM:COUNT?



**Arguments** <number> :: <NR1> specifies the count for multi-trace functions.  
Range: 1 to 10000.

**Examples** TRACE:SEM:COUNT 32 sets the count to 32 for multi-trace functions.

## TRACe:SEM:COUNT:RESet (No Query Form)

Clears the multi-function (Max Hold or Average) data and counter and restarts the process in the Spectral Emissions Mask view. This command is effective when [TRACe:SEM:FUNCTION](#) is set to MAXHold or AVERage.

**Conditions** Measurement views: Spectral Emissions Mask

**Group** Trace commands

**Syntax** TRACe:SEM:COUNT:RESet

**Arguments** None

**Examples** TRACE:SEM:COUNT:RESET clears the multi-function data and counter, and restarts the process.

## TRACe:SEM:FUNCTION

Sets or queries the trace function in the Spectral Emissions Mask view.

**Conditions** Measurement views: Spectral Emissions Mask

**Group** Trace commands

**Syntax** TRACe:SEM:FUNCTION { NONE | MAXHo1d | AVERage }  
TRACe:SEM:FUNCTION?

**Arguments** NONE selects normal display.  
MAXHo1d selects the Max Hold display that indicates the maximum amplitude drift at each frequency point.

**AVERage** selects the Average display that indicates the average amplitude drift at each frequency point.

**Examples** `TRACE:SEM:FUNCTION MAXHOLD` displays the Max Hold trace in the Spectral Emissions Mask measurement.

## TRACe:SGRam:DETEction

Sets or queries the display detector (method to be used for decimating traces to fit the available horizontal space on screen). The number of horizontal pixels on screen is generally smaller than that of waveform data points. When actually displayed, the waveform data is therefore thinned out, according to the number of pixels, for being compressed.

**Conditions** Measurement views: Spectrogram

**Group** Trace commands

**Syntax** `TRACe:SGRam:DETEction { AVERage | POSitive | NEGative | CAVERage | CPEak | QUASipeak | AVGLog }`  
`TRACe:SGRam:DETEction?`

**Arguments** **AVERage** displays the average data value for each pixel.  
**POSitive** displays the maximum data value for each pixel.  
**NEGative** displays the minimum data value for each pixel.  
**CAVERage** displays the CISPR average value for each pixel.  
**CPEak** displays the CISPR peak value for each pixel.  
**QUASipeak** displays the quasi-peak value for each pixel.  
**AVGLog** displays the average data value of logs for each pixel.

**Examples** `TRACe:SGRAM:DETECTIONPOSitive` displays the maximum data value for each pixel.

## TRACe:SGRam:FREeze

Determines whether or not to freeze the spectrogram display.

<b>Conditions</b>	Measurement views: Spectrogram
<b>Group</b>	Trace commands
<b>Syntax</b>	TRACe:SGRam:FREeze { OFF   ON   0   1 } TRACe:SGRam:FREeze?
<b>Arguments</b>	OFF or 0 updates the display of the spectrogram normally. ON or 1 stops updating the display of the spectrogram.
<b>Examples</b>	TRACe:SGRAM:FREEZEON freezes the spectrogram display.

## TRACe:SGRam:FUNCTion

---

**NOTE.** *This function is no longer available in software versions 2.3.0159 and later. Sending this command selects the correct [:SENSe]:SGRam:TIME[:SCALE]:MODE and :TRACe:SGRam:DETection to achieve the same result as with previous software versions. The query will return the equivalent trace function based on the MODE and DETection settings.*

---

Sets or queries the trace function for the specified trace in the spectrogram.

<b>Conditions</b>	Measurement views: Spectrogram
<b>Group</b>	Trace commands
<b>Syntax</b>	TRACe:SGRam:FUNCTion { NONE   AVERAGE   MAXHold   MINHold   AVGLog } TRACe:SGRam:FUNCTion?
<b>Arguments</b>	NONE selects the normal spectrogram display. AVERAGE selects the Average display that indicates the average signal level at each frequency point.

**MAXHold** selects the Max Hold display that indicates the maximum signal level at each frequency point.

**MINHold** selects the Min Hold display that indicates the minimum signal level at each frequency point.

**AVGLog** selects the Average of logs display that indicates the average signal level of logs at each frequency point.

**Examples** `TRACE:SGRAM:FUNCTIONMAXHold` selects the Max Hold display for the spectrogram.

## TRACe:SGRam:FUNCTion:TIME

---

**NOTE.** *This command has a new function in software versions 2.3.159 and above.*

---

Sets the Spectrum Monitor mode values for Time per update. Sending this command sets `[SENSe]:SGRam:TIME[:SCALe]:PER:UPDate:MINutes` and `[SENSe]:SGRam:WATerfall:DIRection` based on the value sent in. The query form returns the number of minutes based on the new settings values.

**Conditions** Measurement views: Spectrogram

**Group** Trace commands

**Syntax** `TRACe:SGRam:FUNCTion:TIME <value>`  
`TRACe:SGRam:FUNCTion:TIME?`

**Arguments** `<value> :: <NR1>` specifies the time length in Spectrum Monitor mode. Range: 1 to 600 minutes and 60 seconds.

**Examples** `TRACE:SGRAM:FUNCTION:TIME6E2` sets the Time/update value to 600 minutes.

## TRACe:SGRam:SElect:LINE

Sets or queries the line number to send to the spectrum display.

**Conditions** Measurement views: Spectrogram

**Group** Trace commands

**Syntax** TRACe:SGRam:SElect:LINE <number>  
TRACe:SGRam:SElect:LINE?

**Related Commands** [TRACe<x>:SPECTrum](#)

**Arguments** <number> ::= <NR1> specifies the line number to send to the spectrum display.  
Range: 0 to the maximum line number of the spectrogram displayed on screen.

**Examples** TRACE:SGRAM:SELECT:LINE 75 selects Line #75 in the spectrogram to send to the spectrum display.

## TRACe:SPURious:COUNT

Sets or queries how many acquisitions run in the single acquisition mode for multi-trace functions (Max Hold and Average) in the Spurious measurement. This command is effective when [TRACe:SPURious:FUNCTION](#) is set to MAXHold or AVERAge and [INITiate:CONTinuous](#) is set to OFF.

**Conditions** Measurement views: Spurious

**Group** Trace commands

**Syntax** TRACe:SPURious:COUNT <number>  
TRACe:SPURious:COUNT?

**Arguments** <number> ::= <NR1> specifies the count for multi-trace functions.  
Range: 1 to 10000.

**Examples** TRACE:SPURIOUS:COUNT32 sets the count to 32 for multi-trace functions.

## TRACe:SPURious:COUNT:ENABLE

Determines whether to enable or disable the count for multi-trace functions (Max Hold and Average) in the Spurious view. This command is effective when [TRACe:SPURious:FUNCTion](#) is set to MAXHold or AVERAge.

<b>Conditions</b>	Measurement views: Spurious
<b>Group</b>	Trace commands
<b>Syntax</b>	TRACe:SPURious:COUNT:ENABle { OFF   ON   0   1 } TRACe:SPURious:COUNT:ENABle?
<b>Arguments</b>	OFF or 0 disables the count for multi-trace functions. ON or 1 enables the count for multi-trace functions.
<b>Examples</b>	TRACe:SPURIOUS:COUNT:ENABLEON enables the count for multi-trace functions.

## TRACe:SPURious:COUNT:RESet (No Query Form)

Clears the multi-function (Max Hold or Average) data and counter, and restarts the process in the Spurious view. This command is effective when [TRACe:SPURious:FUNCTion](#) is set to MAXHold or AVERAge.

<b>Conditions</b>	Measurement views: Spurious
<b>Group</b>	Trace commands
<b>Syntax</b>	TRACe:SPURious:COUNT:RESet
<b>Arguments</b>	None
<b>Examples</b>	TRACe:SPURIOUS:COUNT:RESET clears the multi-function data and counter, and restarts the process.

## TRACe:SPURious:FREeze

Determines whether or not to freeze the display of the trace in the Spurious view.

**Conditions** Measurement views: Spurious

**Group** Trace commands

**Syntax** TRACe:SPURious:FREeze { OFF | ON | 0 | 1 }  
TRACe:SPURious:FREeze?

**Arguments** OFF or 0 updates the display of the trace normally.  
ON or 1 stops updating the display of the trace.

**Examples** TRACE:SPURIOUS:FREEZEON stops updating the display of the trace.

## TRACe:SPURious:FUNCTion

Sets or queries the trace function in the Spurious view.

**Conditions** Measurement views: Spurious

**Group** Trace commands

**Syntax** TRACe:SPURious:FUNCTion { NONE | MAXHOLD | AVERAGE | AVGLog  
}  
TRACe:SPURious:FUNCTion?

**Arguments** NONE selects normal display.  
MAXHOLD selects the Max Hold display that indicates the maximum amplitude drift at each frequency point.  
AVERAGE selects the Average display that indicates the average amplitude drift at each frequency point.  
AVGLog selects the Average of logs display that indicates the average amplitude drift of logs at each frequency point.

**Examples** TRACE:SPURIOUS:FUNCTIONMAXHold displays the Max Hold trace in the Spurious measurement.

## TRACe1:TOVerview

Enables display of or queries the display status of the specified trace. Only Trace1 is valid.

**Conditions** Measurement views: General Waveform display

**Group** Trace commands

**Syntax** TRACe1:TOVerview { OFF | ON | 0 | 1 }  
TRACe1:TOVerview?

**Arguments** OFF or 0 disables the trace overview.  
ON or 1 enables the trace overview.

**Examples** TRACe1:TOVerview ON enables display of Trace1.

## TRACe1:TOVerview:AVERAge:COUNT

Sets or queries the number of traces averaged to generate the specified trace. Only Trace1 is valid.

**Conditions** Measurement views: Trace Function set to Average

**Group** Trace commands

**Syntax** TRACe1:TOVerview:AVERAge:COUNT <value>  
TRACe1:TOVerview:AVERAge:COUNT?

**Arguments** <value> :: <NR1> an integer number of traces to average to create the waveform display.

**Examples** TRACe1:TOVerview:AVERAge:COUNT 200 sets the Average count for Trace 1 to 200.



## TRACe1:TOVerview:COUNT

Enables or queries the count set for the specified trace. Only Trace1 is valid.

**Conditions** Measurement views: Trace Function set to Average

**Group** Trace commands

**Syntax** TRACe1:TOVerview:COUNT <value>  
TRACe1:TOVerview:COUNT?

**Arguments** <value> :: <NRf>

**Examples** TRACe1:TOVerview:COUNT 200 sets the Trace1 Average count to 200.

## TRACe1:TOVerview:COUNT:ENABLE

Enables or queries the Average count for the specified trace. Only Trace1 is valid.

**Conditions** Measurement views: Trace Function set to Average

**Group** Trace commands

**Syntax** TRACe1:TOVerview:COUNT:ENABLE { OFF | ON | 0 | 1 }  
TRACe1:TOVerview:COUNT:ENABLE?

**Arguments** OFF or 0 disables the trace count.  
ON or 1 enables the trace count.

**Examples** TRACe1:TOVerview:COUNT:ENABLE ON enables the Trace1 Average count.

## TRACe1:TOVerview:COUNT:RESet (No Query Form)

Resets the waveform count for the specified trace. Only Trace1 is valid..

**Conditions** Measurement views: Trace Function set to Average

<b>Group</b>	Trace commands
<b>Syntax</b>	TRACe1:TOVerview:COUNT:RESet
<b>Arguments</b>	None
<b>Examples</b>	TRACe1:TOVerview:COUNT:RESet sets the trace count to 1.

## TRACe1:TOVerview:DETection

Enables or queries the type of detection for the specified trace. Only Trace1 is valid.

<b>Conditions</b>	Measurement views: all
<b>Group</b>	Trace commands
<b>Syntax</b>	TRACe1:TOVerview:DETection { AVERAge   POSitive   NEGative   POSNegative   SAMPle } TRACe1:TOVerview:DETection?
<b>Arguments</b>	AVERAge displays the average data value for each pixel. POSitive displays the maximum data value for each pixel. NEGative displays the minimum data value for each pixel. POSNegative displays the maximum and minimum data values for each pixel. SAMPle displays the first sample value received for each pixel.
<b>Examples</b>	TRACe1:TOVerview:DETection POSitive enables positive detection on Trace1.

## TRACe1:TOVerview:FREeze

Enables or queries a halt to acquisition updates for the specified trace. Only Trace1 is valid.

<b>Conditions</b>	Measurement views: all
-------------------	------------------------

<b>Group</b>	Trace commands
<b>Syntax</b>	TRACe1:TOVerview:FReeze { OFF   ON   0   1 } TRACe1:TOVerview:FReeze?
<b>Arguments</b>	OFF or 0 disables the trace freeze function. ON or 1 enables the trace freeze function.
<b>Examples</b>	TRACe1:TOVerview:FReeze ON Halts acquisition updates to Trace1.

## TRACe1:TOVerview:FUNCTION

Enables or queries the selected Function for the specified trace. Only Trace1 is valid.

<b>Conditions</b>	Measurement views: all
<b>Group</b>	Trace commands
<b>Syntax</b>	TRACe1:TOVerview:FUNCTION { NORMAl   AVERAge   MAXHOld   MINHOld } TRACe1:TOVerview:FUNCTION?
<b>Arguments</b>	NORMAl Each new trace is displayed and then replaced by the next trace.. AVERAge Multiple traces are averaged together to generate the displayed trace.. MAXHOld Displays the maximum value in the trace record for each display point. MINHOld Displays the minimum value in the trace record for each display point.
<b>Examples</b>	TRACe1:TOVerview:FUNCTION AVERAge enables the averaging of multiple traces on Trace1.

## TRACe<x>:AVTime

Determines whether or not to show the specified trace in the Amplitude versus Time view.

The parameter <x> = 1 to 4; All traces are valid.

<b>Conditions</b>	Measurement views: Amplitude versus Time
<b>Group</b>	Trace commands
<b>Syntax</b>	TRACe<x>:AVTime { OFF   ON   0   1 } TRACe<x>:AVTime?
<b>Arguments</b>	OFF or 0 hides the specified trace in the Amplitude versus Time view. ON or 1 shows the specified trace in the Amplitude versus Time view.
<b>Examples</b>	TRACE1:AVTIME ON shows Trace 1 in the Amplitude versus Time view.

## TRACe<x>:AVTime:AVERAge:COUNT

Sets or queries the number of traces to combine. This command is effective when you select AVERAge with the [TRACe<x>:AVTime:FUNCTion](#) command.

The parameter <x> = 1 to 3; Trace 4 (math trace) is invalid.

<b>Conditions</b>	Measurement views: Amplitude versus Time
<b>Group</b>	Trace commands
<b>Syntax</b>	TRACe<x>:AVTime:AVERAge:COUNT <number> TRACe<x>:AVTime:AVERAge:COUNT?
<b>Arguments</b>	<number> :: <NR1> specifies the number of traces to combine for averaging. Range: 1 to 10000.
<b>Examples</b>	TRACE1:AVTIME:AVERAGE:COUNT 64 sets the average count to 64 for Trace 1.

## TRACe<x>:AVTime:AVERAge:RESet (No Query Form)

Restarts acquisition and display of waveforms for the specified trace. For an Average, Max Hold, or Min Hold trace, it restarts the sequence, discarding accumulated data and resetting the counter.

The parameter <x> = 1 to 3; Trace 4 (math trace) is invalid.

<b>Conditions</b>	Measurement views: Amplitude versus Time
<b>Group</b>	Trace commands
<b>Syntax</b>	TRACe<x>:AVTime:AVERAge:RESet
<b>Related Commands</b>	<a href="#">TRACe&lt;x&gt;:AVTime:FUNCTion</a>
<b>Arguments</b>	None
<b>Examples</b>	TRACE1:AVTIME:AVERAGE:RESET restarts acquisition and display of waveforms for Trace 1.

## TRACe<x>:AVTime:COUNT

Sets or queries how many acquisitions run in the single acquisition mode for the Max or Min Hold trace in the Amplitude versus Time measurement. This command is effective when [TRACe<x>:AVTime:FUNCTion](#) is set to MAXHold or MINHold and [INITiate:CONTInuous](#) is set to OFF.

The parameter <x> = 1 to 3; Trace 4 (math trace) is invalid.

<b>Conditions</b>	Measurement views: Amplitude versus Time
<b>Group</b>	Trace commands
<b>Syntax</b>	TRACe<x>:AVTime:COUNT <number> TRACe<x>:AVTime:COUNT?
<b>Arguments</b>	<number> :: <NR1> specifies the count for Max/Min Hold. Range: 1 to 10000.
<b>Examples</b>	TRACE1:AVTIME:COUNT 32 sets the count to 32 for Trace 1.

## TRACe<x>:AVTime:COUNT:ENABLE

Determines whether to enable or disable the count for the Max or Min Hold trace in the Amplitude versus Time view. This command is effective when [TRACe<x>:AVTime:FUNCTION](#) is set to MAXHold or MINHold.

The parameter <x> = 1 to 3; Trace 4 (math trace) is invalid.

<b>Conditions</b>	Measurement views: Amplitude versus Time
<b>Group</b>	Trace commands
<b>Syntax</b>	TRACe<x>:AVTime:COUNT:ENABle { OFF   ON   0   1 } TRACe<x>:AVTime:COUNT:ENABle?
<b>Arguments</b>	OFF or 0 disables the count for the Max/Min Hold trace. ON or 1 enables the count for the Max/Min Hold trace.
<b>Examples</b>	TRACE1:AVTIME:COUNT:ENABLE ON enables the Max/Min Hold count for Trace 1.

## TRACe<x>:AVTime:COUNT:RESet (No Query Form)

Clears the Max or Min Hold data and counter, and restarts the process for the specified trace in the Amplitude versus Time view. This command is effective when [TRACe<x>:AVTime:FUNCTION](#) is set to MAXHold or MINHold.

The parameter <x> = 1 to 3; Trace 4 (math trace) is invalid.

<b>Conditions</b>	Measurement views: Amplitude versus Time
<b>Group</b>	Trace commands
<b>Syntax</b>	TRACe<x>:AVTime:COUNT:RESet
<b>Arguments</b>	None
<b>Examples</b>	TRACE1:AVTIME:COUNT:RESET clears the Max/Min Hold data and counter, and restarts the process for Trace 1.

## TRACe<x>:AVTime:DETection

Sets or queries the display detector (method to be used for decimating traces to fit the available horizontal space on screen). The number of horizontal pixels on screen is generally smaller than that of waveform data points. When actually displayed, the waveform data is therefore thinned out, according to the number of pixels, for being compressed.

<b>Conditions</b>	Measurement views: Amplitude versus Time
<b>Group</b>	Trace commands
<b>Syntax</b>	TRACe<x>:AVTime:DETection { AVERAge   POSitive   NEGative   POSNegative   SAMPlE } TRACe<x>:AVTime:DETection?
<b>Arguments</b>	AVERAge displays the average data value for each pixel. POSitive displays the maximum data value for each pixel. NEGative displays the minimum data value for each pixel. POSNegative displays the maximum and minimum data values for each pixel. SAMPlE displays the first sample value received for each pixel.
<b>Examples</b>	TRACE:AVTIME:DETECTION AVERAge specifies that the trace displays the average data value for each pixel.

## TRACe<x>:AVTime:FREeze

Determines whether or not to freeze the display of the specified trace in the Amplitude versus Time view.

The parameter <x> = 1 to 4; All traces are valid.

<b>Conditions</b>	Measurement views: Amplitude versus Time
<b>Group</b>	Trace commands
<b>Syntax</b>	TRACe<x>:AVTime:FREeze { OFF   ON   0   1 } TRACe<x>:AVTime:FREeze?

**Arguments** OFF or 0 updates the display of the specified trace normally.  
ON or 1 stops updating the display of the specified trace.

**Examples** TRACE1:AVTIME:FREEZE ON freezes the display for Trace 1.

## TRACe<x>:AVTime:FUNCTION

Sets or queries the function for the specified trace in the Amplitude versus Time view.

The parameter <x> = 1 to 3; Trace 4 (math trace) is invalid.

**Conditions** Measurement views: Amplitude versus Time

**Group** Trace commands

**Syntax** TRACe<x>:AVTime:FUNCTION { NORMAl | AVERAge | MAXHOld | MINHOld }  
TRACe<x>:AVTime:FUNCTION?

**Arguments** NORMAl selects the normal display.  
AVERAge selects the Average display that indicates the average amplitude at each time point.  
MAXHOld selects the Max Hold display that indicates the maximum amplitude at each time point.  
MINHOld selects the Min Hold display that indicates the minimum amplitude at each time point.

**Examples** TRACE1:AVTIME:FUNCTION MAXHOld selects Max Hold for Trace 1 in the Amplitude versus Time view.

## TRACe<x>:AVTime:LEFToperand

Sets or queries the left operand for the math trace (Trace 4) in the Amplitude versus Time view.

The parameter <x> = 4; Only Trace 4 (math trace) is valid.

**Conditions** Measurement views: Amplitude versus Time



<b>Group</b>	Trace commands
<b>Syntax</b>	TRACe<x>:AVTime:LEFToperand { TRACE1   TRACE2   TRACE3 } TRACe<x>:AVTime:LEFToperand?
<b>Related Commands</b>	<a href="#">TRACe&lt;x&gt;:AVTime:RIGHToperand</a>
<b>Arguments</b>	TRACE1 selects Trace 1 as the left operand for the math trace. TRACE2 selects Trace 2 as the left operand for the math trace. TRACE3 selects Trace 3 as the left operand for the math trace.
<b>Examples</b>	TRACE4:AVTIME:LEFTOPERAND TRACE2 selects Trace 2 as the left operand for the math trace.

## TRACe<x>:AVTime:RIGHToperand

Sets or queries the right operand for the math trace (Trace 4) in the Amplitude versus Time view.

The parameter <x> = 4; Only Trace 4 (math trace) is valid.

<b>Conditions</b>	Measurement views: Amplitude versus Time
<b>Group</b>	Trace commands
<b>Syntax</b>	TRACe<x>:AVTime:RIGHToperand { TRACE1   TRACE2   TRACE3 } TRACe<x>:AVTime:RIGHToperand?
<b>Related Commands</b>	<a href="#">TRACe&lt;x&gt;:AVTime:LEFToperand</a>
<b>Arguments</b>	TRACE1 selects Trace 1 as the right operand for the math trace. TRACE2 selects Trace 2 as the right operand for the math trace. TRACE3 selects Trace 3 as the right operand for the math trace.
<b>Examples</b>	TRACE4:AVTIME:RIGHTOPERAND TRACE1 selects Trace 1 as the right operand for the math trace.

## TRACe<x>:AVTime:SElect

Sets or queries the trace whose measurement results are being displayed in the readout on the top and bottom of the view.

The parameter <x> = 1 to 4; All traces are valid.

**Conditions** Measurement views: Amplitude versus Time

**Group** Trace commands

**Syntax** TRACe<x>:AVTime:SElect  
TRACe<x>:AVTime:SElect?

**Arguments** None

**Returns** { 0 | 1 }

0 indicates that the results are not being displayed in the readout for the trace.

1 indicates that the results are being displayed in the readout for the trace.

**Examples** TRACE1:AVTIME:SELECT selects Trace 1 to display the measurement results in the readout.

TRACE1:AVTIME:SELECT? might return 1, indicating that the results are being displayed in the readout for Trace 1.

## TRACe<x>:CCDF:FREeze

Determines whether or not to freeze the display of the specified trace (Trace 1 or 2) in the CCDF view.

The parameter <x> = 1 or 2; Trace 3 (Gaussian curve) is invalid.

**Conditions** Measurement views: CCDF

**Group** Trace commands

**Syntax** TRACe<x>:CCDF:FREeze { OFF | ON | 0 | 1 }  
TRACe<x>:CCDF:FREeze?

**Arguments** OFF or 0 updates the display of the specified trace normally.  
ON or 1 stops updating the display of the specified trace.

**Examples** TRACE1:CCDF:FREEZE ON freezes the display for Trace 1.

## TRACe<x>:CCDF:SElect

Sets or queries the trace whose measurement results are being displayed in the readout on the top of the view. The selected trace is indicated by the measurement pointer (pink triangle) on the waveform.

The parameter <x> = 1 to 3; All traces are valid.

**Conditions** Measurement views: CCDF

**Group** Trace commands

**Syntax** TRACe<x>:CCDF:SElect  
TRACe<x>:CCDF:SElect?

**Arguments** None

**Returns** { 0 | 1 }

0 indicates that the results are not being displayed in the readout for the trace.

1 indicates that the results are being displayed in the readout for the trace.

**Examples** TRACE1:CCDF:SELECT selects Trace 1 to display the measurement results in the readout.

TRACE1:CCDF:SELECT? might return 1, indicating that the results are being displayed in the readout for Trace 1.

## TRACe<x>:CCDF:SHOW

Determines whether to show or hide the specified trace in the CCDF view.

The parameter <x> = 1 to 3; All traces are valid.

**Conditions** Measurement views: CCDF

<b>Group</b>	Trace commands
<b>Syntax</b>	TRACe<x>:CCDF:SHOW { OFF   ON   0   1 } TRACe<x>:CCDF:SHOW?
<b>Arguments</b>	OFF or 0 hides the specified trace. ON or 1 shows the specified trace.
<b>Examples</b>	TRACE1:CCDF:SHOW ON shows Trace 1 in the CCDF view.

## TRACe<x>:CCDF:X

Sets or queries the horizontal position of the measurement pointer (pink triangle) to measure the CCDF. Use the [TRACe<x>:CCDF:Y?](#) query to read the value.

The parameter <x> = 1 to 3.

---

**NOTE.** Use the [TRACe<x>:CCDF:SHOW](#) command to show the specified trace and the [TRACe<x>:CCDF:SElect](#) command to select the trace before running the [TRACe<x>:CCDF:X](#) command.

---

<b>Conditions</b>	Measurement views: CCDF
<b>Group</b>	Trace commands
<b>Syntax</b>	TRACe<x>:CCDF:X <value> TRACe<x>:CCDF:X?
<b>Arguments</b>	<value> :: <NRf> specifies the horizontal position of the measurement pointer. Range: 0 to 20 dB.
<b>Examples</b>	TRACE1:CCDF:X 5 puts the measurement pointer at 5 dB on Trace 1.

## TRACe<x>:CCDF:Y? (Query Only)

Queries the vertical position (CCDF value) of the measurement pointer (displayed as a pink triangle). Use the `TRACe<x>:CCDF:X` command to set the horizontal position of the pointer.

The parameter `<x>` = 1 to 3.

---

**NOTE.** Use the `TRACe<x>:CCDF:SHOW` command to show the specified trace and the `TRACe<x>:CCDF:SElect` command to select the trace before running the `TRACe<x>:CCDF:Y?` query.

---

<b>Conditions</b>	Measurement views: CCDF
<b>Group</b>	Trace commands
<b>Syntax</b>	TRACe<x>:CCDF:Y?
<b>Arguments</b>	None
<b>Returns</b>	<p><code>&lt;value&gt;</code> :: <code>&lt;Nrf&gt;</code> is the vertical position (CCDF) of the measurement pointer.            Range: 0 to 100%.</p> <p>The value of 99.0999953003E+36 is returned if the trace is not available.</p>
<b>Examples</b>	TRACE1:CCDF:Y? might return 14.72, indicating the CCDF is 14.72% at the measurement pointer on Trace 1.

## TRACe<x>:DPX

Determines whether or not to show the specified trace in the DPX spectrum view.

The parameter `<x>` = 1 to 7; All traces are valid. Trace 6 is for the DPXogram trace and Trace 7 is for the Ogram line.

<b>Conditions</b>	Measurement views: DPX spectrum
<b>Group</b>	Trace commands

**Syntax** TRACE<x>:DPX { OFF | ON | 0 | 1 }  
TRACE<x>:DPX?

**Arguments** OFF or 0 hides the specified trace in the DPX spectrum view.  
ON or 1 shows the specified trace in the DPX spectrum view.

**Examples** TRACE1:DPX ON shows Trace 1 (the maximum trace) in the DPX spectrum view.

## TRACe<x>:DPX:AVERAge:COUNT

Sets or queries the number of traces to combine for averaging in the DPX spectrum view.

The parameter <x> = 3; Only Trace 3 (average trace) is valid.

**Conditions** Measurement views: DPX spectrum

**Group** Trace commands

**Syntax** TRACe<x>:DPX:AVERAge:COUNT <number>  
TRACe<x>:DPX:AVERAge:COUNT?

**Arguments** <number> :: <NR1> specifies the number of traces to combine for averaging.  
Range: 1 to 10000.

**Examples** TRACE3:DPX:AVERAGE:COUNT 32 sets the average count to 32.

## TRACe<x>:DPX:COLor:CURVe

Sets or queries how colors are mapped to the signal density in the DPX spectrum bitmap display. The mapping can be linear (Curve = 1), or it can be set to concentrate the resolution on the lower level of the range (Curve > 1) or the mapping can be set to show the best resolution on the upper range of density or hit count (Curve = 0.1 – 0.99). This command is only valid for the Bitmap display.

The parameter <x> = 5; only Trace5 is valid.

**Conditions** Measurement views: DPX spectrum

<b>Group</b>	Trace commands
<b>Syntax</b>	TRACe<x>:DPX:COLor:CURVe <value> TRACe<x>:DPX:COLor:CURVe?
<b>Arguments</b>	<value> :: <Nrf> specifies how colors are mapped to the signal density. Range:
<b>Examples</b>	TRACe<x>:DPX:COLor:CURVe 1.5 concentrates the resolution on the lower level of the range on the Bitmap display.

## TRACe<x>:DPX:COLor:INTensity

Sets or queries the color intensity in the DPX spectrum view.  
The value is common to all traces.

The parameter <x> = 1 to 5; All traces are valid.

<b>Conditions</b>	Measurement views: DPX spectrum Not valid for Option 200 instruments.
<b>Group</b>	Trace commands
<b>Syntax</b>	TRACe<x>:DPX:COLor:INTensity <value> TRACe<x>:DPX:COLor:INTensity?
<b>Arguments</b>	<value> :: <Nrf> specifies color intensity. Range: 1 to 100%.
<b>Examples</b>	TRACE1:DPX:COLOR:INTENSITY 30 sets the color intensity to 30%.

## TRACe<x>:DPX:COLor:SCALE:AUTO (No Query Form)

Automatically adjusts the Max and Min color settings to display the broadest range of colors in the DPX spectrum bitmap display. This command is only valid for the Bitmap display.

The parameter <x> = 5; only Trace5 is valid.

<b>Conditions</b>	Measurement views: DPX spectrum
-------------------	---------------------------------

<b>Group</b>	Trace commands
<b>Syntax</b>	TRACe<x>:DPX:COLor:SCALE:AUTO
<b>Arguments</b>	<x>::=5 specifies the auto-color setting for the Bitmap trace.
<b>Examples</b>	TRACe5:DPX:COLor:SCALE:AUTO autosets the Bitmap display color scheme.

## TRACe<x>:DPX:DETection

Sets or queries the detection type (POSitive, NEGative, AVERage) for traces 1, 2 and 3 in the DPX spectrum view.

Trace 4 (math trace) and Trace 5 (bitmap trace) are invalid choices. Trace 6 is only valid for DPXogram.

<b>Conditions</b>	Measurement views: DPX spectrum Option 200 only
<b>Group</b>	Trace commands
<b>Syntax</b>	TRACe<x>:DPX:DETection { AVERage   NEGative   POSitive } TRACe<x>:DPX:DETection?
<b>Arguments</b>	The following table shows the trace function and display. For the average trace, use the <a href="#">TRACe&lt;x&gt;:DPX:AVERage:COUNt</a> command to set the average count.
<b>Examples</b>	TRACe1:DPX:DETection AVERage enables analysis to look for AVERage on Trace 1.

## TRACe<x>:DPX:DGRAM:SELection:LINE

Sets or queries a line from the DPXogram display to send to the DPX spectrum display.

Trace 6 is the DPXogram trace. No other traces are allowed.

<b>Conditions</b>	Measurement views: DPX spectrum
-------------------	---------------------------------



<b>Group</b>	Trace commands
<b>Syntax</b>	TRACe<x>:DPX:DGRAM:SELEct:LINE <number> TRACe<x>:DPX:DGRAM:SELEct:LINE?
<b>Arguments</b>	<number> ::= <NR1> specifies the line number in the DPXogram display.
<b>Examples</b>	TRACE6:DPX:DGRAM:SELECT:LINE 75 selects line #75 in the DPXogram display to send to the DPX spectrum display.

## TRACe<x>:DPX:DOT:PERSistent

Determines whether to enable or disable the dot persistence for the bitmap trace (Trace 5) in the DPX spectrum view.

The parameter <x> = 5; Only Trace 5 (bitmap trace) is valid.

<b>Conditions</b>	Measurement views: DPX spectrum
<b>Group</b>	Trace commands
<b>Syntax</b>	TRACe<x>:DPX:DOT:PERSistent { OFF   ON   0   1 } TRACe<x>:DPX:DOT:PERSistent?
<b>Arguments</b>	OFF or 0 disables the dot persistence. ON or 1 enables the dot persistence.
<b>Examples</b>	TRACE5:DPX:DOT:PERSISTENT ON enables the dot persistence in the DPX spectrum view.

## TRACe<x>:DPX:DOT:PERSistent:TYPE

Sets or queries the persistence type for the bitmap trace (Trace 5) in the DPX spectrum view.

The parameter <x> = 5; Only Trace 5 (bitmap trace) is valid.

<b>Conditions</b>	Measurement views: DPX spectrum
-------------------	---------------------------------

<b>Group</b>	Trace commands
<b>Syntax</b>	TRACe<x>:DPX:DOT:PERsistent:TYPE { VARIable   INFinite } TRACe<x>:DPX:DOT:PERsistent:TYPE?
<b>Arguments</b>	<p>VARIable selects the variable persistence display which leaves acquired data points on the display for a period of time specified by the <a href="#">TRACe&lt;x&gt;:DPX:DOT:PERsistent:VARIable</a> command.</p> <p>INFinite selects the infinite persistence display which accumulates data points on the display indefinitely.</p>
<b>Examples</b>	TRACE5:DPX:DOT:PERsistent:TYPE VARIable selects the variable persistence display.

## TRACe<x>:DPX:DOT:PERsistent:VARIable

Sets or queries how long data points are displayed. This command is effective when [TRACe<x>:DPX:DOT:PERsistent:TYPE](#) is set to VARIable. This affects the display only.

The parameter <x> = 5; Only Trace 5 (bitmap trace) is valid.

<b>Conditions</b>	Measurement views: DPX spectrum
<b>Group</b>	Trace commands
<b>Syntax</b>	TRACe<x>:DPX:DOT:PERsistent:VARIable <number> TRACe<x>:DPX:DOT:PERsistent:VARIable?
<b>Arguments</b>	<number> :: <NR1> specifies the how long waveform points are displayed on the screen. For instruments without Option 200 – Range: 1 to 1000 (unitless; the default value is 10). For instruments with Option 200 – Range: 100 ms to 60 s (the default value is 1.0 s). For
<b>Examples</b>	TRACE5:DPX:DOT:PERsistent:VARIABLE 20 specifies that the waveform points are displayed on the screen for a period of 20 before they disappear.

## TRACe<x>:DPX:FREEze

Determines whether or not to freeze the display of the specified trace in the DPX spectrum view.

The parameter <x> = 1 to 6; All traces are valid. Trace 6 is for the DPXogram trace and Trace 7 is for the Ogram line.

<b>Conditions</b>	Measurement views: DPX spectrum
<b>Group</b>	Trace commands
<b>Syntax</b>	TRACe<x>:DPX:FREEze { OFF   ON   0   1 } TRACe<x>:DPX:FREEze?
<b>Arguments</b>	OFF or 0 updates the display of the specified trace normally. ON or 1 stops updating the display of the specified trace.
<b>Examples</b>	TRACE1:DPX:FREEZE ON freezes the display for the +peak trace.

## TRACe<x>:DPX:FUNCTION

Sets or queries the trace function for the +Peak, -Peak, or Average trace (Trace 1, 2, or 3, respectively) in the DPX spectrum view.

The parameter <x> = 1 to 3; Trace 4 (math trace) and Trace 5 (bitmap trace) are invalid.

<b>Conditions</b>	Measurement views: DPX spectrum
<b>Group</b>	Trace commands
<b>Syntax</b>	TRACe<x>:DPX:FUNCTION { NORMAl   HOLD   AVERAge } TRACe<x>:DPX:FUNCTION?
<b>Arguments</b>	The following table shows the trace function and display. For the average trace, use the <a href="#">TRACe&lt;x&gt;:DPX:AVERAge:COUNT</a> command to set the average count.

Function	Trace1 (+Peak trace)	Trace2 (-Peak trace)	Trace3 (Average trace)
NORMal	Normal spectrum (Detection: +Peak)	Normal spectrum (Detection: -Peak)	Normal spectrum (Detection: Average)
HOLD	Max-hold spectrum	Min-hold spectrum	NA
AVERAge	NA	NA	Average spectrum

**Examples** TRACE1:DPX:FUNCTION HOLD selects the max hold waveform for Trace 1.

## TRACe<x>:DPX:LEFToperand

Sets or queries the left operand for the math trace (Trace 4) in the DPX spectrum view. With Option 200, trace detection is not configurable.

The parameter <x> = 4; Only Trace 4 (math trace) is valid.

**Conditions** Measurement views: DPX spectrum

**Group** Trace commands

**Syntax** TRACe<x>:DPX:LEFToperand { TRACe1 | TRACe2 | TRACe3 }  
TRACe<x>:DPX:LEFToperand?

**Related Commands** [TRACe<x>:DPX:RIGHToperand](#)

**Arguments** TRACE1 selects Trace 1 as the left operand for the math trace.  
TRACE2 selects Trace 2 as the left operand for the math trace.  
TRACE3 selects Trace 3 as the left operand for the math trace.

**Examples** TRACE4:DPX:LEFTOPERAND TRACE2 selects Trace 2 as the left operand for the math trace.

## TRACe<x>:DPX:RIGHToperand

Sets or queries the right operand for the math trace (Trace 4) in the DPX spectrum view. With Option 200, trace detection is not configurable.

The parameter <x> = 4; Only Trace 4 (math trace) is valid.

<b>Conditions</b>	Measurement views: DPX spectrum
<b>Group</b>	Trace commands
<b>Syntax</b>	TRACe<x>:DPX:RIGHToperand { TRACE1   TRACE2   TRACE3 } TRACe<x>:DPX:RIGHToperand?
<b>Related Commands</b>	<a href="#">TRACe&lt;x&gt;:DPX:LEFToperand</a>
<b>Arguments</b>	TRACE1 selects Trace 1 as the right operand for the math trace. TRACE2 selects Trace 2 as the right operand for the math trace. TRACE3 selects Trace 3 as the right operand for the math trace.
<b>Examples</b>	TRACE4:DPX:RIGHTOPERAND TRACE1 selects Trace 1 as the right operand for the math trace.

## TRACe<x>:DPX:SElect

Sets or queries the trace to display the readout at the upper left of the DPX spectrum view.

The parameter <x> = 1 to 7; All traces are valid. Trace 6 is for the DPXogram trace and Trace 7 is for the Ogram line.

<b>Conditions</b>	Measurement views: DPX spectrum
<b>Group</b>	Trace commands
<b>Syntax</b>	TRACe<x>:DPX:SElect TRACe<x>:DPX:SElect?
<b>Arguments</b>	None
<b>Returns</b>	{ 0   1 }  0 indicates that the readout is not being displayed for the specified trace. 1 indicates that the readout is being displayed for the specified trace.

**Examples** TRACE1:DPX:SELECT selects Trace 1 (+Peak trace) to display the readout.  
TRACE1:DPX:SELECT? might return 1, indicating that the readout is being displayed for Trace 1.

## TRACe<x>:FVTime:DETection

Enables or queries the type of detection for the specified trace. The parameter <x> represents traces 1 to 4.

**Conditions** Measurement views: Frequency versus Time

**Group** Trace commands

**Syntax** TRACe<x>:FVTime:DETection { AVERAge | POSitive | NEGative | POSNegative | SAMPle }  
TRACe<x>:FVTime:DETection?

**Arguments** AVERAge displays the average data value for each pixel.  
POSitive displays the maximum data value for each pixel.  
NEGative displays the minimum data value for each pixel.  
POSNegative displays the maximum and minimum data values for each pixel.  
SAMPle displays the first sample value received for each pixel.

**Examples** TRACe2:FVTime:DETection POSitive enables positive detection on Trace2.

## TRACe<x>:OFDM:EVM

Determines whether or not to show the specified trace in the OFDM EVM view.  
The parameter <x> = 1 or 2, where 1 is Average and 2 is Value.

**Conditions** Measurement views: OFDM

**Group** Trace commands

**Syntax** TRACe<x>:OFDM:EVM { OFF | ON | 0 | 1 }  
TRACe<x>:OFDM:EVM?

**Arguments** OFF or 0 hides the specified trace in the view.  
ON or 1 shows the specified trace in the view.

**Examples** TRACE1:OFDM:EVM ON shows Trace 1 in the OFDM EVM view.

## TRACe<x>:OFDM:EVM:FREEze

Determines whether or not to freeze the display of the specified trace in the OFDM EVM view.

The parameter <x> = 1 or 2, where 1 is Average and 2 is Value.

**Conditions** Measurement views: OFDM

**Group** Trace commands

**Syntax** TRACe<x>:OFDM:EVM:FREEze { OFF | ON | 0 | 1 }  
TRACe<x>:OFDM:EVM:FREEze?

**Arguments** OFF or 0 updates the display of the specified trace normally.  
ON or 1 stops updating the display of the specified trace.

**Examples** TRACE1:OFDM:EVM:FREEZE ON freezes the display for Trace 1.

## TRACe<x>:OFDM:EVM:SELEct

Sets or queries the specified trace to display in the OFDM EVM view.

The parameter <x> = 1 or 2, where 1 is Average and 2 is Value.

**Conditions** Measurement views: OFDM

**Group** Trace commands

**Syntax** TRACe<x>:OFDM:EVM:SELEct  
TRACe<x>:OFDM:EVM:SELEct?

**Arguments** None

**Returns** { OFF | ON | 0 | 1 }

OFF or 0 indicates that the readout is not being displayed for the specified trace.

ON or 1 indicates that the readout is being displayed for the specified trace.

**Examples** TRACE1:OFDM:EVM:SELECT selects Trace 1 (Average trace) to display the readout.

TRACE1:OFDM:EVM:SELECT? might return 1, indicating that the readout is being displayed for Trace 1.

## TRACe<x>:OFDM:MERRor

Determines whether or not to show the specified trace in the OFDM Magnitude error view.

The parameter <x> = 1 or 2, where 1 is Average and 2 is Value.

**Conditions** Measurement views: OFDM

**Group** Trace commands

**Syntax** TRACe<x>:OFDM:MERRor { OFF | ON | 0 | 1 }  
TRACe<x>:OFDM:MERRor?

**Arguments** OFF or 0 hides the specified trace in the view.

ON or 1 shows the specified trace in the view.

**Examples** TRACe1:OFDM:MERRor ON shows Trace 1 in the OFDM Magnitude error view.

## TRACe<x>:OFDM:MERRor:FREeze

Determines whether or not to freeze the display of the specified trace in the OFDM Magnitude error view.

The parameter <x> = 1 or 2, where 1 is Average and 2 is Value.

**Conditions** Measurement views: OFDM

**Group** Trace commands



<b>Syntax</b>	TRACe<x>:OFDM:MERRor:FREEze { OFF   ON   0   1 } TRACe<x>:OFDM:MERRor:FREEze?
<b>Arguments</b>	OFF or 0 updates the display of the specified trace normally. ON or 1 stops updating the display of the specified trace.
<b>Examples</b>	TRACE1:OFDM:MERRor:FREEZE ON freezes the display for Trace 1.

## TRACe<x>:OFDM:MERRor:SELEct

Sets or queries the specified trace to display in the OFDM Magnitude error view.  
The parameter <x> = 1 or 2, where 1 is Average and 2 is Value.

<b>Conditions</b>	Measurement views: OFDM
<b>Group</b>	Trace commands
<b>Syntax</b>	TRACe<x>:OFDM:MERRor:SELEct { OFF   ON   0   1 } TRACe<x>:OFDM:MERRor:SELEct?
<b>Arguments</b>	None
<b>Returns</b>	{ OFF   ON   0   1 } OFF or 0 indicates that the readout is not being displayed for the specified trace. ON or 1 indicates that the readout is being displayed for the specified trace.
<b>Examples</b>	TRACE1:OFDM:MERRor:SELEct selects Trace 1 (Average trace) to display the readout. TRACE1:OFDM:MERRor:SELEct? might return 1, indicating that the readout is being displayed for Trace 1.

## TRACe<x>:OFDM:PError

Determines whether or not to show the specified trace in the OFDM Phase error view.

The parameter <x> = 1 or 2, where 1 is Average and 2 is Value.

<b>Conditions</b>	Measurement views: OFDM
<b>Group</b>	Trace commands
<b>Syntax</b>	TRACe<x>:OFDM:PERRor { OFF   ON   0   1 } TRACe<x>:OFDM:PERRor?
<b>Arguments</b>	OFF or 0 hides the specified trace in the view. ON or 1 shows the specified trace in the view.
<b>Examples</b>	TRACe1:OFDM:PERRor ON shows Trace 1 in the OFDM Phase error view.

## TRACe<x>:OFDM:PERRor:FREEze

Determines whether or not to freeze the display of the specified trace in the OFDM Phase error view.

The parameter <x> = 1 or 2, where 1 is Average and 2 is Value.

<b>Conditions</b>	Measurement views: OFDM
<b>Group</b>	Trace commands
<b>Syntax</b>	TRACe<x>:OFDM:PERRor:FREEze { OFF   ON   0   1 } TRACe<x>:OFDM:PERRor:FREEze?
<b>Arguments</b>	OFF or 0 updates the display of the specified trace normally. ON or 1 stops updating the display of the specified trace.
<b>Examples</b>	TRACe1:OFDM:PERRor:FREEZE ON freezes the display for Trace 1.

## TRACe<x>:OFDM:PERRor:SElect

Sets or queries the specified trace to display in the OFDM Phase error view.

The parameter <x> = 1 or 2, where 1 is Average and 2 is Value.

<b>Conditions</b>	Measurement views: OFDM
-------------------	-------------------------

<b>Group</b>	Trace commands
<b>Syntax</b>	<code>TRACe&lt;x&gt;:OFDM:PERROr:SELEct { OFF   ON   0   1 }</code> <code>TRACe&lt;x&gt;:OFDM:PERROr:SELEct?</code>
<b>Arguments</b>	None
<b>Returns</b>	{ OFF   ON   0   1 } OFF or 0 indicates that the readout is not being displayed for the specified trace. ON or 1 indicates that the readout is being displayed for the specified trace.
<b>Examples</b>	<code>TRACE1:OFDM:PERROr:SELEct</code> selects Trace 1 (Average trace) to display the readout. <code>TRACE1:OFDM:PERROr:SELEct?</code> might return 1, indicating that the readout is being displayed for Trace 1.

## TRACe<x>:OFDM:POWer

Determines whether or not to show the specified trace in the OFDM Power view.  
The parameter <x> = 1 or 2, where 1 is Average and 2 is Value.

<b>Conditions</b>	Measurement views: OFDM
<b>Group</b>	Trace commands
<b>Syntax</b>	<code>TRACe&lt;x&gt;:OFDM:POWer { OFF   ON   0   1 }</code> <code>TRACe&lt;x&gt;:OFDM:POWer?</code>
<b>Arguments</b>	OFF or 0 hides the specified trace in the view. ON or 1 shows the specified trace in the view.
<b>Examples</b>	<code>TRACE1:OFDM:POWer ON</code> shows Trace 1 in the OFDM Power view.

## TRACe<x>:OFDM:POWer:FREeze

Determines whether or not to freeze the display of the specified trace in the OFDM Power view.

The parameter <x> = 1 or 2, where 1 is Average and 2 is Value.

<b>Conditions</b>	Measurement views: OFDM
<b>Group</b>	Trace commands
<b>Syntax</b>	TRACe<x>:OFDM:POWer:FREeze { OFF   ON   0   1 } TRACe<x>:OFDM:POWer:FREeze?
<b>Arguments</b>	OFF or 0 updates the display of the specified trace normally. ON or 1 stops updating the display of the specified trace.
<b>Examples</b>	TRACE1:OFDM:POWer:FREeze ON freezes the display for Trace 1.

## TRACe<x>:OFDM:POWer:SELEct

Sets or queries the specified trace to display in the OFDM Power view.

The parameter <x> = 1 or 2, where 1 is Average and 2 is Value.

<b>Conditions</b>	Measurement views: OFDM
<b>Group</b>	Trace commands
<b>Syntax</b>	TRACe<x>:OFDM:POWer:SELEct { OFF   ON   0   1 } TRACe<x>:OFDM:POWer:SELEct?
<b>Arguments</b>	None
<b>Returns</b>	{ OFF   ON   0   1 } OFF or 0 indicates that the readout is not being displayed for the specified trace. ON or 1 indicates that the readout is being displayed for the specified trace.

**Examples** TRACE1:OFDM:Power:SELECT selects Trace 1 (Average trace) to display the readout.

TRACE1:OFDM:Power:SELECT? might return 1, indicating that the readout is being displayed for Trace 1.

## TRACe<x>:PHVTime:DETection

Sets or queries the display detector (method to be used for decimating traces to fit the available horizontal space on screen). The number of horizontal pixels on screen is generally smaller than that of waveform data points. When actually displayed, the waveform data is therefore thinned out, according to the number of pixels, for being compressed.

**Conditions** Measurement views: Phase versus Time

**Group** Trace commands

**Syntax** TRACe<x>:PHVTime:DETection { AVERAge | POSitive | NEGative | POSNegative | SAMPlE }  
TRACe<x>:PHVTime:DETection?

**Arguments** AVERAge displays the average data value for each pixel.  
POSitive displays the maximum data value for each pixel.  
NEGative displays the minimum data value for each pixel.  
POSNegative displays the maximum and minimum data values for each pixel.  
SAMPlE displays the first sample value received for each pixel.

**Examples** TRACe1:PHVTime:DETection POSitive displays the maximum data value for each pixel.

## TRACe<x>:PNOise:SELEct

Selects the trace in the phase noise measurement. The query returns the currently selected trace.

The parameter <x> = 1 and 2.

**Conditions** Measurement views: Phase noise

<b>Group</b>	Trace commands
<b>Syntax</b>	TRACe<x>:PNOise:SElect TRACe<x>:PNOise:SElect?
<b>Arguments</b>	None
<b>Returns</b>	0 (not selected) or 1 (selected).
<b>Examples</b>	TRACE2:PNOISE:SELECT selects Trace 2.

## TRACe<x>:PNOise:SHOW

Determines whether to show or hide the specified trace in the phase noise view.  
The parameter <x> = 1 and 2.

<b>Conditions</b>	Measurement views: Phase noise
<b>Group</b>	Trace commands
<b>Syntax</b>	TRACe<x>:PNOise:SHOW { OFF   ON   0   1 } TRACe<x>:PNOise:SHOW?
<b>Arguments</b>	OFF or 0 hides the specified trace. ON or 1 shows the specified trace.
<b>Examples</b>	TRACE1:PNOISE:SHOW ON shows Trace 1 in the phase noise view.

## TRACe<x>:PNOise:SMOothing:COUNT

Sets or queries the number of data points to take the moving average for smoothing the trace. This command is effective when [TRACe<x>:PNOise:SMOothing:ENABLE](#) is set to ON.  
The parameter <x> = 1 and 2.

<b>Conditions</b>	Measurement views: Phase noise
-------------------	--------------------------------

<b>Group</b>	Trace commands
<b>Syntax</b>	TRACe<x>:PNOise:SMOothing:COUNT <number> TRACe<x>:PNOise:SMOothing:COUNT?
<b>Arguments</b>	<number> :: <NR1> specifies the number of data points to take the moving average for smoothing. Range: 3 to 50.
<b>Examples</b>	TRACE1:PNOISE:SMOOTHING:COUNT 16 sets the smoothing count to 16 for Trace 1.

## TRACe<x>:PNOise:SMOothing:ENABLE

Determines whether to enable or disable smoothing the specified trace in the phase noise view.

The parameter <x> = 1 and 2.

<b>Conditions</b>	Measurement views: Phase noise
<b>Group</b>	Trace commands
<b>Syntax</b>	TRACe<x>:PNOise:SMOothing:ENABLE { OFF   ON   0   1 } TRACe<x>:PNOise:SMOothing:ENABLE?
<b>Arguments</b>	OFF or 0 disables smoothing. ON or 1 enables smoothing.
<b>Examples</b>	TRACE1:PNOISE:SMOOTHING:ENABLE ON enables smoothing Trace 1 in the phase noise view.

## TRACe<x>:PNOise:SMOothing:RESet (No Query Form)

Restarts the smoothing process, discarding accumulated data and resetting the counter. This command is effective when [TRACe<x>:PNOise:SMOothing:ENABLE](#) is set to ON.

The parameter <x> = 1 and 2.

<b>Conditions</b>	Measurement views: Phase noise
<b>Group</b>	Trace commands
<b>Syntax</b>	TRACe<x>:PNOise:SMOothing:RESet
<b>Arguments</b>	None
<b>Examples</b>	TRACE1:PNOISE:SMOOTHING:RESET restarts the smoothing process for Trace 1.

## TRACe:{FSETtling|PSETtling}:SMOothing:COUNT

Sets or queries the number of data points to take the moving average for smoothing the traces. This command applies to both Trace 1 and Trace 2.

<b>Conditions</b>	Measurement views: Frequency and Phase Settling Time
<b>Group</b>	Trace commands
<b>Syntax</b>	TRACe:{FSETtling PSETtling}:SMOothing:COUNT <number> TRACe:{FSETtling PSETtling}:SMOothing:COUNT?
<b>Arguments</b>	<number> :: <NR1> specifies the number of data points to take the moving average for smoothing. Range: 2 to 1000.
<b>Examples</b>	TRACE:FSETTLING:SMOOTHING:COUNT 16 sets the Frequency Settling Time smoothing count to 16.

## TRACe:{FSETtling|PSETtling}:SMOothing:ENABLE

Determines whether to enable or disable smoothing the trace(s).

<b>Conditions</b>	Measurement views: Frequency and Phase Settling Time
<b>Group</b>	Trace commands



<b>Syntax</b>	TRACE:{FSETtling PSETtling}:SMOothing:ENABle { OFF   ON   0   1 } TRACE:{FSETtling PSETtling}:SMOothing:ENABle?
<b>Arguments</b>	OFF or 0 disables smoothing. ON or 1 enables smoothing.
<b>Examples</b>	TRACE:PSETTLING:SMOOTHING:ENABLE ON enables the Phase Settling Time smoothing.

## TRACe:{FSETtling|PSETtling}:AVERAge:COUNT

Sets or queries the number of traces to combine. This command is effective when you select AVERAge with the [TRACe:{FSETtling|PSETtling}:AVERAge:ENABle](#) command.

<b>Conditions</b>	Measurement views: Frequency and Phase Settling Time
<b>Group</b>	Trace commands
<b>Syntax</b>	TRACe:{FSETtling PSETtling}:AVERAge:COUNT <number> TRACe:{FSETtling PSETtling}:AVERAge:COUNT?
<b>Related Commands</b>	<a href="#">TRACe:{FSETtling PSETtling}:AVERAge:ENABle</a>
<b>Arguments</b>	<number> :: <NR1> specifies the number of traces to combine for averaging. Range: 1 to 10000.
<b>Examples</b>	TRACE1:PSETTLING:AVERAGE:COUNT 64 sets the average count to 64 for Trace 1.

## TRACe:{FSETtling|PSETtling}:AVERAge:COUNT:CURRent? (Query Only)

Queries the current running average count value. The returned value is valid (non-zero) only while the instrument is acquiring and averaging a signal. Use the [TRACe:{FSETtling|PSETtling}:AVERAge:COUNT](#) command to determine the setting for Average.

<b>Conditions</b>	Measurement views: Frequency and Phase Settling Time
-------------------	--

**Group** Trace commands

**Syntax** TRACe:{FSETtling|PSETtling}:AVERAge:COUNT:CURRENT?

**Related Commands** [TRACe:{FSETtling|PSETtling}:AVERAge:COUNT](#)

**Examples** TRACE1:PSETTLING:AVERAGE:COUNT? might return the value 64.

## TRACe:{FSETtling|PSETtling}:AVERAge:ENABLE

Determines whether to enable or disable averaging the trace(s).

**Conditions** Measurement views: Frequency and Phase Settling Time

**Group** Trace commands

**Syntax** TRACe:{FSETtling|PSETtling}:AVERAge:ENABLE { OFF | ON | 0 | 1 }  
 TRACe:{FSETtling|PSETtling}:AVERAge:ENABLE?

**Arguments** OFF or 0 disables averaging.  
 ON or 1 enables averaging.

**Examples** TRACE:PSETTLING:AVERAGE:ENABLE ON enables the Phase Settling Time averaging.

## TRACe<x>:{FSETtling|PSETtling}:FREeze

Determines whether to freeze the specified trace in the Settling Time measurement display.

The parameter <x> = 1 or 2.

**Conditions** Measurement views: Frequency and Phase Settling Time

**Group** Trace commands

**Syntax** TRACe<x>:{FSETtling|PSETtling}:FREEze { OFF | ON | 0 | 1 }  
 TRACe<x>:{FSETtling|PSETtling}:FREEze?

**Arguments** OFF or 0 updates the trace display normally.  
 ON or 1 stops updating trace display.

**Examples** TRACE1:FSETTLING:FREEZE ON stops updating the Trace 1 display.

## TRACe:{FSETtling|PSETtling}:RESet (No Query Form)

If trace averaging is enabled, this command resets the current averaged trace to 0.

**Conditions** Measurement views: Frequency and Phase Settling Time

**Group** Trace commands

**Syntax** TRACe:{FSETtling|PSETtling}:RESet

**Examples** TRACE1:PSETTLING:RESET resets the current averaged trace to 0.

## TRACe<x>:{FSETtling|PSETtling}:SElect

Selects the trace in the settling time measurement. The query returns the currently selected trace.

The parameter <x> = 1 or 2.

**Conditions** Measurement views: Frequency and Phase Settling Time

**Group** Trace commands

**Syntax** TRACe<x>:{FSETtling|PSETtling}:SElect  
 TRACe<x>:{FSETtling|PSETtling}:SElect?

**Arguments** None

**Returns** 0 (not selected) or 1 (selected).

**Examples** TRACE2:FSETTLING:SELECT selects Trace 2.

## TRACe<x>:{FSETtling|PSETtling}:SHOW

Determines whether to show or hide the specified trace in the settling time view.

The parameter <x> = 1 or 2.

**Conditions** Measurement views: Frequency and Phase Settling Time

**Group** Trace commands

**Syntax** TRACe<x>:{FSETtling|PSETtling}:SHOW { OFF | ON | 0 | 1 }  
TRACe<x>:{FSETtling|PSETtling}:SHOW?

**Arguments** OFF or 0 hides the specified trace.  
ON or 1 shows the specified trace.

**Examples** TRACE1:PSETTLING:SHOW ON shows Trace 1 in the Phase Settling Time view.

## TRACe<x>:SPECtrum

Determines whether to show or hide the specified trace in the Spectrum view.

The parameter <x> = 1 to 5; All traces are valid.

**Conditions** Measurement views: Spectrum

**Group** Trace commands

**Syntax** TRACe<x>:SPECtrum { OFF | ON | 0 | 1 }  
TRACe<x>:SPECtrum?

**Arguments** OFF or 0 hides the specified trace.  
ON or 1 shows the specified trace.  
For Trace 5 (spectrogram), use the [TRACe:SGRam:SElect:LINE](#) command to select the line to send to the spectrum display.

**Examples** TRACE1:SPECTRUM ON shows Trace 1 in the Spectrum Analyzer view.

## TRACe<x>:SPECTrum:AVERage:COUNT

Sets or queries the number of traces to combine. This command is effective when [TRACe<x>:SPECTrum:FUNCtion](#) is AVERage, MAXHold or MINHold.

The parameter <x> = 1 to 3; Trace 4 (math trace) and Trace 5 (spectrogram) are invalid.

**Conditions** Measurement views: Spectrum

**Group** Trace commands

**Syntax** TRACe<x>:SPECTrum:AVERage:COUNT <number>  
TRACe<x>:SPECTrum:AVERage:COUNT?

**Arguments** <number> :: <NR1> specifies the number of traces to combine for averaging.  
Range: 1 to 10000.

**Examples** TRACE1:SPECTRUM:AVERAGE:COUNT 64 sets the average count to 64 for Trace 1.

## TRACe<x>:SPECTrum:AVERage:RESet (No Query Form)

Clears average data and counter, and restarts the average process for the specified trace in the Spectrum view. This command is effective when [TRACe<x>:SPECTrum:FUNCtion](#) is set to AVERage, MAXHold or MINHold.

The parameter <x> = 1 to 3; Trace 4 (math trace) and Trace 5 (spectrogram) are invalid.

**Conditions** Measurement views: Spectrum

**Group** Trace commands

**Syntax** TRACe<x>:SPECTrum:AVERage:RESet

**Arguments** None

**Examples** TRACE1:SPECTRUM:AVERAGE:RESET clears average data and counter, and restarts the average process for Trace 1.

## TRACe<x>:SPECTrum:COUNT

Sets or queries how many acquisitions run in the single acquisition mode for the Max or Min Hold trace in the Spectrum measurement. This command is effective when [TRACe<x>:SPECTrum:FUNCTION](#) is set to MAXHold or MINHold and [INITiate:CONTinuous](#) is set to OFF.

The parameter <x> = 1 to 3; Trace 4 (math trace) and Trace 5 (spectrogram) are invalid.

**Conditions** Measurement views: Spectrum

**Group** Trace commands

**Syntax** TRACe<x>:SPECTrum:COUNT <number>  
TRACe<x>:SPECTrum:COUNT?

**Arguments** <number> :: <NR1> specifies the count for Max/Min Hold. Range: 1 to 10000.

**Examples** TRACE1:SPECTRUM:COUNT 32 sets the count to 32 for Trace 1.

## TRACe<x>:SPECTrum:COUNT:ENABLE

Determines whether to enable or disable the count for the Max or Min Hold trace in the Spectrum view. This command is effective when [TRACe<x>:SPECTrum:FUNCTION](#) is set to MAXHold or MINHold.

The parameter <x> = 1 to 3; Trace 4 (math trace) and Trace 5 (spectrogram) are invalid.

**Conditions** Measurement views: Spectrum

**Group** Trace commands

**Syntax** TRACe<x>:SPECTrum:COUNT:ENABLe { OFF | ON | 0 | 1 }  
TRACe<x>:SPECTrum:COUNT:ENABLe?

**Arguments** OFF or 0 disables the count for the Max/Min Hold trace.  
ON or 1 enables the count for the Max/Min Hold trace.

**Examples** TRACE1:SPECTRUM:COUNT:ENABLE ON enables the Max/Min Hold count for Trace 1.

## TRACe<x>:SPECTrum:COUNT:RESet (No Query Form)

Clears the Max or Min Hold data and counter, and restarts the process for the specified trace in the Spectrum view. This command is effective when [TRACe<x>:SPECTrum:FUNctioN](#) is set to MAXHold or MINHold.

The parameter <x> = 1 to 3; Trace 4 (math trace) and Trace 5 (spectrogram) are invalid.

**Conditions** Measurement views: Spectrum

**Group** Trace commands

**Syntax** TRACe<x>:SPECTrum:COUNT:RESet

**Arguments** None

**Examples** TRACE1:SPECTRUM:COUNT:RESET clears the Max/Min Hold data and counter, and restarts the process for Trace 1.

## TRACe<x>:SPECTrum:DETection

Sets or queries the display detector (method to be used for decimating traces to fit the available horizontal space on screen). The number of horizontal pixels on screen is generally smaller than that of waveform data points. When actually displayed, the waveform data is therefore thinned out, according to the number of pixels, for being compressed.

The parameter <x> = 1 to 3; Trace 4 (math trace) and Trace 5 (spectrogram) are invalid.

**Conditions** Measurement views: Spectrum

**Group** Trace commands

**Syntax** TRACE<x>:SPECTrum:DETEction { AVERAge | POSitive | NEGative  
| CAVERage | CPEak | QUASipeak | SAMPlE | AVGLog }  
TRACE<x>:SPECTrum:DETEction?

**Arguments** AVERAge displays the average data value for each pixel.  
POSitive displays the maximum data value for each pixel.  
NEGative displays the minimum data value for each pixel.  
CAVERage displays the CISPR average value for each pixel.  
CPEak displays the CISPR peak value for each pixel.  
QUASipeak displays the quasi-peak value for each pixel.  
SAMPlE displays the most recent sample value for each pixel.  
AVGLog displays the average data value of logs for each pixel.

**Examples** TRACE1:SPECTRUM:DETECTION POSitive displays the maximum data value for each pixel on Trace 1.

## TRACe<x>:SPECTrum:FREeze

Determines whether or not to freeze the display of the specified trace in the Spectrum view.

The parameter <x> = 1 to 5; All traces are valid.

**Conditions** Measurement views: Spectrum

**Group** Trace commands

**Syntax** TRACe<x>:SPECTrum:FREeze { OFF | ON | 0 | 1 }  
TRACe<x>:SPECTrum:FREeze?

**Arguments** OFF or 0 updates the display of the specified trace normally.  
ON or 1 stops updating the display of the specified trace.

**Examples** TRACE1:SPECTRUM:FREEZE ON freezes Trace 1 in the Spectrum Analysis display.



## TRACe<x>:SPECTrum:FUNCTion

Sets or queries the function for the specified trace in the Spectrum view.

The parameter <x> = 1 to 3; Trace 4 (math trace) and Trace 5 (spectrogram) are invalid.

<b>Conditions</b>	Measurement views: Spectrum
<b>Group</b>	Trace commands
<b>Syntax</b>	TRACe<x>:SPECTrum:FUNCTion { NONE   AVERAge   MAXHOld   MINHOld   AVGLog} TRACe<x>:SPECTrum:FUNCTion?
<b>Arguments</b>	<p>NONE selects the normal spectrum display.</p> <p>AVERAge selects the Average display that indicates the average signal level at each frequency point.</p> <p>MAXHOld selects the Max Hold display that indicates the maximum signal level at each frequency point.</p> <p>MINHOld selects the Min Hold display that indicates the minimum signal level at each frequency point.</p> <p>AVGLog selects the Average of logs display that indicates the average signal level of logs at each frequency point.</p>
<b>Examples</b>	TRACE1:SPECTRUM:FUNCTION MAXHOld selects Max Hold for Trace 1 in the Spectrum view.

## TRACe<x>:SPECTrum:LEFToperand

Sets or queries the left operand for the math trace (Trace 4) in the Spectrum view.

The parameter <x> = 4; Only Trace 4 (math trace) is valid.

<b>Conditions</b>	Measurement views: Spectrum
<b>Group</b>	Trace commands
<b>Syntax</b>	TRACe<x>:SPECTrum:LEFToperand { TRACE1   TRACE2   TRACE3 } TRACe<x>:SPECTrum:LEFToperand?

**Related Commands** [TRACe<x>:SPECtrum:RIGHToperand](#)

**Arguments** TRACE1 selects Trace 1 as the left operand for the math trace.  
 TRACE2 selects Trace 2 as the left operand for the math trace.  
 TRACE3 selects Trace 3 as the left operand for the math trace.

**Examples** TRACE4 : SPECTRUM : LEFTOPERAND TRACE1 selects Trace 1 as the left operand for the math trace.

## TRACe<x>:SPECtrum:RIGHtoperand

Sets or queries the right operand for the math trace (Trace 4) in the Spectrum view.

The parameter <x> = 4; Only Trace 4 (math trace) is valid.

**Conditions** Measurement views: Spectrum

**Group** Trace commands

**Syntax** TRACe<x>:SPECtrum:RIGHtoperand { TRACE1 | TRACE2 | TRACE3 }  
 TRACe<x>:SPECtrum:RIGHtoperand?

**Related Commands** [TRACe<x>:SPECtrum:LEFToperand](#)

**Arguments** TRACE1 selects Trace 1 as the right operand for the math trace.  
 TRACE2 selects Trace 2 as the right operand for the math trace.  
 TRACE3 selects Trace 3 as the right operand for the math trace.

**Examples** TRACE4 : SPECTRUM : RIGHTOPERAND TRACE1 selects Trace 1 as the right operand for the math trace.

## TRACe<x>:SPECtrum:SElect

Sets or queries the trace to display the readout at the upper left of the Spectrum view.

The parameter <x> = 1 to 5; All traces are valid.

---

**NOTE.** *TRACe5 (spectrogram) is valid when the spectrum and spectrogram measurements are running.*

---

<b>Conditions</b>	Measurement views: Spectrum
<b>Group</b>	Trace commands
<b>Syntax</b>	TRACe<x>:SPECTrum:SELEct TRACe<x>:SPECTrum:SELEct?
<b>Arguments</b>	None
<b>Returns</b>	{ 0   1 }  0 indicates that the readout is not being displayed for the specified trace. 1 indicates that the readout is being displayed for the specified trace.
<b>Examples</b>	TRACE1:SPECTRUM:SELECT selects Trace 1 to display the readout.  TRACE1:SPECTRUM:SELECT? might return 1, indicating that the readout is being displayed for Trace 1.

### \*TRG (No Query Form)

Generates a trigger. It produces the same effect as the Force Trigger button on the Trigger control panel. This command is valid when the trigger mode is Triggered.

<b>Conditions</b>	Measurement views: All
<b>Group</b>	IEEE common commands
<b>Syntax</b>	*TRG
<b>Related Commands</b>	<a href="#">TRIGger[:SEQUence]:TIME:QUALified:TIME&lt;x&gt;</a>
<b>Arguments</b>	None

**Examples** \*TRG generates a trigger.

## TRIGger:DPX:SHOW:FRAMES

Determines when to show frames in the swept acquisition mode. Show frames continuously when ON or show only triggered frames when OFF.

**Conditions** Measurement views: All  
Option 200 only

**Group** Trigger commands

**Syntax** TRIGger:DPX:SHOW:FRAMES { OFF | ON | 0 | 1 }  
TRIGger:DPX:SHOW:FRAMES?

**Arguments** OFF or 0 shows only triggered frames.  
ON or 1 shows frames continuously.

**Examples** TRIGger:DPX:SHOW:FRAMES ON shows frames continuously.

## TRIGger:MASK:NEW (No Query Form)

Loads a new frequency mask.

**Conditions** Measurement views: All

**Group** Trigger commands

**Syntax** TRIGger:MASK:NEW <freq(1)>,<amp1(1)>,<freq(2)>,<amp1(2)>,  
...,<freq(n)>,<amp1(n)> (n = 500 maximum)

**Arguments** <freq(n)>,<amp1(n)> are numbers that represent a frequency (Hz) and amplitude (dBm) pair that define a point of the mask. Up to 500 pairs can be specified with zero frequency being the center screen. The mask is visible in the spectrum view with the following trigger conditions

---

**NOTE.** Do not include a unit suffix (such as Hz, dBm, or dB) with the arguments for this command.

---

- Trigger mode: Triggered (TRIGger[:SEquence]:TIME:QUALified:TIME<x> is set to ON or 1.)
- Trigger type: Frequency Mask (TRIGger[:SEquence]:EVENT:INPut:TYPE is set to FMASK.)

### Examples

TRIGGER:MASK:NEW-8E6,-80,0,-10,8E6,-80 loads the mask with the points A (-8 MHz, -80 dBm), B (0 Hz, -10 dBm), and C (8 MHz, -80 dBm), as shown in the following figure.

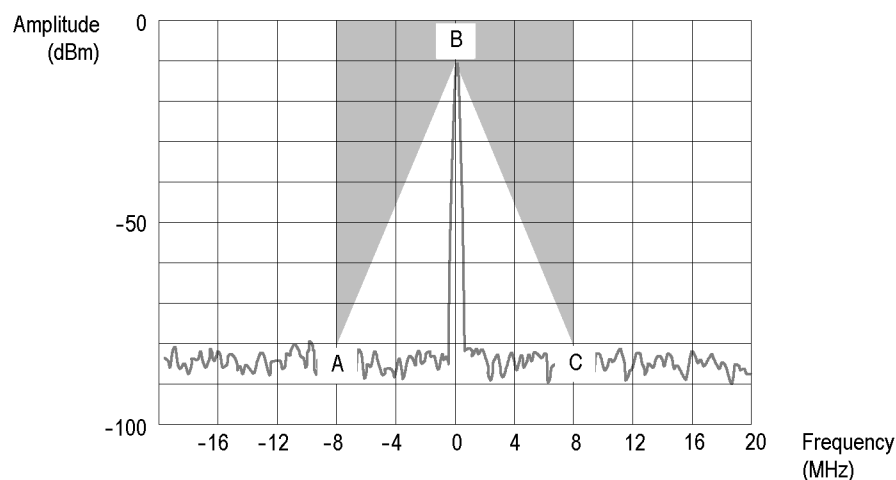


Figure 2-6: Trigger mask setting example

## TRIGger:MASK:NEW:AUTO (No Query Form)

Draws a new frequency mask automatically based on a reference trace.

**Conditions** Measurement views: All

**Group** Trigger commands

**Syntax** TRIGger:MASK:NEW:AUTO  
<meas\_ID>, <trace\_ID>, <x\_margin>, <y\_margin>

**Arguments** <meas\_ID> :: <string> specifies the measurement view.  
 <trace\_ID> specifies the reference trace.  
 The values of <meas\_ID> and <trace\_ID> are listed in the following table for each possible measurement view.  
 <x\_margin> :: <NRf> specifies the X margin (horizontal offset from the reference trace) in Hz.  
 <y\_margin> :: <NRf> specifies the Y margin (vertical offset from the reference trace) in dB.

Measurement view	<meas_ID>	<trace_ID>
Spectrum	"specan"	TRACE1 (Trace 1), TRACE2 (Trace 2), TRACE3 (Trace 3), TRACE4 (Math trace), TRACE5 (Spectrogram trace)
DPX spectrum	"DPX"	TRACE1 (+Peak trace), TRACE2 (-Peak trace), TRACE3 (Avg trace), TRACE4 (Math trace)
Channel power and ACPR	"acpr"	TRACE1 (Trace 1)
MCPR	"mcpr"	TRACE1 (Trace 1)
OBW	"obw"	TRACE1 (Trace 1)

**Examples** TRIGGER:MASK:NEW:AUTO"specan",TRACE1,2E+6,15 draws a new frequency mask automatically in the Spectrum view based on Trace 1 with the horizontal margin of 2 MHz and the vertical margin of 15 dB.

## TRIGger:MASK:OPEN (No Query Form)

Opens a trigger mask with a specified file. To save a trigger mask, use the [TRIGger:MASK:SAVE](#) command.

**Conditions** Measurement views: All

**Group** Trigger commands

**Syntax** TRIGger:MASK:OPEN <file\_name>

**Arguments** <file\_name> :: <string> specifies the trigger mask file to open. The file extension is .msk. You can omit the extension.

For the directory of file, refer to *Specifying the File* (See page 2-56.)

**Examples** TRIGGER:MASK:OPEN"C:\My Documents\Mask1" opens the trigger mask with the *Mask1* file in the *My Documents* directory.

## TRIGger:MASK:SAVE (No Query Form)

Saves the current trigger mask to a specified file. To open the trigger mask, use the [TRIGger:MASK:OPEN](#) command.

**Conditions** Measurement views: All

**Group** Trigger commands

**Syntax** TRIGger:MASK:SAVE <file\_name>

**Arguments** <file\_name> :: <string> specifies the file to save the trigger mask. The file extension is .msk. You can omit the extension.

For the directory of file, refer to *Specifying the File* (See page 2-56.)

**Examples** TRIGGER:MASK:SAVE"C:\My Documents\Mask1" saves the trigger mask to the *Mask1* file in the *My Documents* directory.

## TRIGger[:SEquence]:ADVanced:HOLDoff

Sets or queries the trigger holdoff time which prevents triggers until there have been no trigger events for at least the specified holdoff period.

**Conditions** Measurement views: All  
Option 200 only

**Group** Trigger commands

**Syntax** TRIGger[:SEquence]:ADVanced:HOLDoff <value>  
TRIGger[:SEquence]:ADVanced:HOLDoff?

**Arguments** <value> :: <NRf> specifies the trigger holdoff time. Range: 20 ns to 10 s.

**Examples** TRIGger[:SEquence]:ADVanced:HOLDoff 1.5us sets the trigger holdoff time to 1.5  $\mu$ s.

## TRIGger[:SEquence]:ADVanced:HOLDoff:ENABLE

Enables or queries the status of the Advanced Trigger Holdoff function.

**Conditions** Measurement views: All  
Option 200 only

**Group** Trigger commands

**Syntax** TRIGger[:SEquence]:ADVanced:HOLDoff:ENABle { OFF | ON | 0 | 1 }  
TRIGger[:SEquence]:ADVanced:HOLDoff:ENABle?

**Arguments** OFF or 0 does not trigger based on the advanced trigger holdoff settings.  
ON or 1 enables triggering based on the advanced trigger holdoff settings.

**Examples** TRIGger:ADVanced:HOLDoff:ENABle ON enables triggering based on the advanced trigger holdoff settings.

## TRIGger[:SEquence]:ADVanced:SWEep:MODE

Determines whether or not to trigger each segment in the swept acquisition mode.

**Conditions** Measurement views: All

**Group** Trigger commands

**Syntax** TRIGger[:SEquence]:ADVanced:SWEep:MODE { OFF | ON | 0 | 1 }  
TRIGger[:SEquence]:ADVanced:SWEep:MODE?

**Arguments** OFF or 0 does not trigger each segment in the swept acquisition mode.  
ON or 1 triggers each segment in the swept acquisition mode.



**Examples** TRIGGER:SEQUENCE:ADVANCED:SWEEP:MODE ON triggers each segment in the swept acquisition mode.

## TRIGger[:SEQuence]:ADVanced:SWEEPt:SEGMENT:ENABLE

Determines whether or not to set the spectrum analyzer to wait for a trigger for each acquisition in a swept spectrum or other measurement requiring multiple acquisitions worth of span.

**Conditions** Measurement views: All

**Group** Trigger commands

**Syntax** TRIGger[:SEQuence]:ADVanced:SWEEPt:SEGMENT:ENABLE { OFF | ON  
| 0 | 1 }  
TRIGger[:SEQuence]:ADVanced:SWEEPt:SEGMENT:ENABLE?

**Arguments** OFF or 0 does not trigger each segment in the swept acquisition mode.  
ON or 1 triggers each segment in the swept acquisition mode.

**Examples** TRIGger[:SEQuence]:ADVanced:SWEEPt:SEGMENT:ENABLE ON waits for a trigger for each acquisition in a swept spectrum or other measurement requiring multiple acquisitions worth of span.

## TRIGger[:SEQuence]:EVENT:EXTFront:IMPedance

Sets or queries the impedance of the external trigger input on the front panel.

**Conditions** Measurement views: All

**Group** Trigger commands

**Syntax** TRIGger[:SEQuence]:EVENT:EXTFront:IMPedance { OHM50 | OHM5K  
}  
TRIGger[:SEQuence]:EVENT:EXTFront:IMPedance?

**Arguments** OHM50 selects 50 $\Omega$  impedance.  
OHM5K selects 5 k $\Omega$  impedance.

**Examples** TRIGGER:SEQUENCE:EVENT:EXTFRONT:IMPEDANCE OHM50 selects 50Ω impedance for the external trigger input on the front panel.

## TRIGger[:SEQuence]:EVENT:EXTFront:LEVel

Sets or queries the trigger level at the external trigger input on the front panel.

**Conditions** Measurement views: All

**Group** Trigger commands

**Syntax** TRIGger[:SEQuence]:EVENT:EXTFront:LEVel <value>  
TRIGger[:SEQuence]:EVENT:EXTFront:LEVel?

**Arguments** <value> :: <NRf> specifies the trigger level. Range: -2.5 to +2.5 V.

**Examples** TRIGGER:SEQUENCE:EVENT:EXTFRONT:LEVEL 1.5 sets the trigger level to 1.5 V at the external trigger input on the front panel.

## TRIGger[:SEQuence]:EVENT:EXTFront:SLOPe

Sets or queries the trigger slope of the external trigger input on the front panel.

**Conditions** Measurement views: All

**Group** Trigger commands

**Syntax** TRIGger[:SEQuence]:EVENT:EXTFront:SLOPe { RISE | FALL }  
TRIGger[:SEQuence]:EVENT:EXTFront:SLOPe?

**Arguments** RISE causes the trigger event on the rising edge.  
FALL causes the trigger event on the falling edge.

**Examples** TRIGGER:SEQUENCE:EVENT:EXTFRONT:SLOPE RISE causes the trigger event on the rising edge of the external input signal.

## TRIGger[:SEquence]:EVENT:EXTRear:SLOPe

Sets or queries the trigger slope of the external trigger input on the rear panel. The trigger level is fixed to the TTL threshold.

<b>Conditions</b>	Measurement views: All
<b>Group</b>	Trigger commands
<b>Syntax</b>	TRIGger[:SEquence]:EVENT:EXTRear:SLOPe { RISE   FALL } TRIGger[:SEquence]:EVENT:EXTRear:SLOPe?
<b>Arguments</b>	RISe causes the trigger event on the rising edge. FALL causes the trigger event on the falling edge.
<b>Examples</b>	TRIGGER:SEQUENCE:EVENT:EXTREAR:SLOPE RISE causes the trigger event on the rising edge of the external input signal.

## TRIGger[:SEquence]:EVENT:GATed

Sets or queries the positive or negative logic for the gated trigger input on the rear panel.

<b>Conditions</b>	Measurement views: All
<b>Group</b>	Trigger commands
<b>Syntax</b>	TRIGger[:SEquence]:EVENT:GATed { HIGH   LOW } TRIGger[:SEquence]:EVENT:GATED?
<b>Arguments</b>	HIGH specifies that the gated trigger input is high active. LOW specifies that the gated trigger input is low active.
<b>Examples</b>	TRIGGER:SEQUENCE:EVENT:GATED HIGH specifies that the gated trigger input is high active.

## TRIGger[:SEQuence]:EVENT:INPut:DDENsity:AMPLitude

Sets or queries the center vertical level for the density trigger region of the RF input DPX bitmap display.

**Conditions** Measurement views: DPX bitmap  
Option 200 only

**Group** Trigger commands

**Syntax** TRIGger[:SEQuence]:EVENT:INPut:DDENsity:AMPLitude <value>  
TRIGger[:SEQuence]:EVENT:INPut:DDENsity:AMPLitude?

**Related Commands** [TRIGger\[:SEQuence\]:EVENT:INPut:DDENsity:AMPLitude:TOLerance](#)

**Arguments** <value> :: <NRF> specifies the vertical center of the trigger region in dBm.  
Range: 0 to 200 dBm.

**Examples** TRIGger[:SEQuence]:EVENT:INPut:DDENsity:AMPLitude 100dBm sets the center level to 100 dBm for the density trigger region.

## TRIGger[:SEQuence]:EVENT:INPut:DDENsity:AMPLitude:TOLerance

Sets or queries the positive and negative extensions of the density trigger region from the center vertical level. The density trigger region is defined for the DPX bitmap display.

**Conditions** Measurement views: DPX bitmap  
Option 200 only

**Group** Trigger commands

**Syntax** TRIGger[:SEQuence]:EVENT:INPut:DDENsity:AMPLitude:TOLerance <value>  
TRIGger[:SEQuence]:EVENT:INPut:DDENsity:AMPLitude:TOLerance?

**Related Commands** [TRIGger\[:SEQuence\]:EVENT:INPut:DDENsity:FREQuency:TOLerance](#)

**Arguments** <value> :: <Nrf> specifies an absolute amplitude value for the positive and negative limits of the density trigger region in dBm. Range: within the defined measurement box.

**Examples** TRIGger[:SEquence]:EVENT:INPut:DDENsity:AMPLitude:TOLerance 50dBm sets the positive limit 50 dBm above the AMPLItude level and the negative limit 50 dBm below the AMPLItude level.

## TRIGger[:SEquence]:EVENT:INPut:DDENsity:FREQuency

Sets or queries the center horizontal level for the density trigger region of the RF input DPX bitmap display.

**Conditions** Measurement views: DPX bitmap  
Option 200 only

**Group** Trigger commands

**Syntax** TRIGger[:SEquence]:EVENT:INPut:DDENsity:FREQuency <value>  
TRIGger[:SEquence]:EVENT:INPut:DDENsity:FREQuency?

### Related Commands

**Arguments** <value> :: <Nrf> specifies the horizontal center of the trigger region. Range: within the defined measurement box.

**Examples** TRIGger[:SEquence]:EVENT:INPut:DDENsity:FREQuency 1.82GHz sets the center horizontal level to 1.82 GHz for the density trigger region.

## TRIGger[:SEquence]:EVENT:INPut:DDENsity:FREQuency:TOLerance

Sets or queries the left and right extensions of the density trigger region from the center horizontal level. The density trigger region is defined for the DPX bitmap display.

**Conditions** Measurement views: DPX bitmap  
Option 200 only

**Group** Trigger commands

**Syntax** TRIGger[:SEquence]:EVENT:INPut:DDENsity:FREQUency:TOLerance <value>  
 TRIGger[:SEquence]:EVENT:INPut:DDENsity:FREQUency:TOLerance?

**Related Commands**

**Arguments** <value> :: <NRF> specifies an absolute frequency value for the left and right limits from the center frequency of the density trigger region. Range: within the defined measurement box.

**Examples** TRIGger[:SEquence]:EVENT:INPut:DDENsity:FREQUency:TOLerance 0.2GHZ, for a center frequency of 1.82 GHz, sets the left horizontal limit to 1.62 GHz and the right horizontal limit to 2.02 GHz for the density trigger region.

## TRIGger[:SEquence]:EVENT:INPut:DDENsity:THReshold

Sets or queries the DPX Density threshold that defines a trigger event for the density trigger region of the DPX bitmap display. The DPX Density must be higher or lower (specified by the Density selection) than this value to define a trigger event.

**Conditions** Measurement views: DPX bitmap  
 Option 200 only

**Group** Trigger commands

**Syntax** TRIGger[:SEquence]:EVENT:INPut:DDENsity:THReshold <value>  
 TRIGger[:SEquence]:EVENT:INPut:DDENsity:THReshold?

**Related Commands**

**Arguments** <value> :: <NRF> specifies the DPX Density threshold as a percentage (%). Range: within the defined measurement box.

**Examples** TRIGger[:SEquence]:EVENT:INPut:DDENsity:THReshold 2 sets the DPX Density threshold to 2 % for the density trigger.

## TRIGger[:SEQuence]:EVENT:INPut:DDENsity:VIOLation

Sets or queries whether a density value higher or lower than the THReshold value defines a trigger event for the density trigger region of the DPX bitmap display.

**Conditions** Measurement views: DPX bitmap  
Option 200 only

**Group** Trigger commands

**Syntax** TRIGger[:SEQuence]:EVENT:INPut:DDENsity:VIOLation { HIGHER  
| Lower }  
TRIGger[:SEQuence]:EVENT:INPut:DDENsity:VIOLation?

**Related Commands** [TRIGger\[:SEQuence\]:EVENT:INPut:DDENsity:THReshold](#)

**Arguments** HIGHER a DPX density value above the THReshold value defines the trigger event.  
LOWER a DPX Density value below the THReshold value defines the trigger event.

**Examples** TRIGger:EVENT:INPut:DDENsity:VIOLation LOWER sets the DPX Density VIOLATION to trigger when the probability of occurrence is lower than the THRESHOLD percentage.

## TRIGger[:SEQuence]:EVENT:INPut:FMASK:{BANDwidth|BWIDth}[:RESolution]

Sets or queries the Resolution Bandwidth value to be used in the spectrum view for the frequency mask trigger.

**Conditions** Measurement views: All  
Option 200 only

**Group** Trigger commands

**Syntax** TRIGger[:SEQuence]:EVENT:INPut:FMASK:{BANDwidth|BWIDth}[:  
RESolution] <value>  
TRIGger[:SEQuence]:EVENT:INPut:FMASK:{BANDwidth|BWIDth}[:  
RESolution]?

**Arguments** <value> :: <NRF> specifies the resolution bandwidth for Frequency Mask triggering. Range: .

**Examples** TRIGger[:SEquence]:EVENT:INPut:FMASK:BANDwidth 300kHz sets the resolution bandwidth to 300 kHz.

## TRIGger[:SEquence]:EVENT:INPut:FMASK:BANDwidth|BWIDth[:RESolution]:ACTual? (Query Only)

Queries current setting for the Resolution Bandwidth value used in the spectrum view for the frequency mask trigger.

**Conditions** Measurement views: All  
Option 200 only

**Group** Trigger commands

**Syntax** TRIGger[:SEquence]:EVENT:INPut:FMASK:BANDwidth|BWIDth[:RESolution]:ACTual?

**Arguments** None.

**Examples** TRIGger:EVENT:INPut:FMASK:BWIDth:ACTUAL? returns the resolution bandwidth value.

## TRIGger[:SEquence]:EVENT:INPut:FMASK:BANDwidth|BWIDth[:RESolution]:AUTO

Sets or queries whether to automatically set the Resolution Bandwidth value used in the spectrum view for the frequency mask trigger.

**Conditions** Measurement views: All  
Option 200 only

**Group** Trigger commands

**Syntax** TRIGger[:SEquence]:EVENT:INPut:FMASK:BANDwidth|BWIDth[:RESolution]:AUTO { OFF | ON | 0 | 1 }



TRIGger[:SEquence]:EVENT:INPut:FMASK:BWIDth|BWIDth[:RESolution]:AUTO?

**Arguments** OFF or 0 sets the resolution bandwidth manually with the command TRIGger[:SEquence]:EVENT:INPut:FMASK: {BANDwidth|BWIDth}[:RESolution].

ON or 1 sets the resolution bandwidth automatically.

**Examples** TRIGger:EVENT:INPut:FMASK:BWIDth:AUTO ON sets the resolution bandwidth automatically.

## TRIGger[:SEquence]:EVENT:INPut:FMASK:VIOLation

Sets or queries when the analyzer triggers in the frequency mask trigger.

**Conditions** Measurement views: All

**Group** Trigger commands

**Syntax** TRIGger[:SEquence]:EVENT:INPut:FMASK:VIOLation { T | F | TF | FT | TFT | FTF }

TRIGger[:SEquence]:EVENT:INPut:FMASK:VIOLation?

**Arguments** The following table lists the arguments which represent the trigger violations.

**Table 2-46: Trigger violations**

Violation	Description
T	Only one state is required to initiate a trigger event. The signal has at least one data point inside the mask. The trigger event occurs at the first point that appears inside the mask. A trigger event could occur on the first acquisition.
F	Only one state change is required to initiate a trigger event. The signal has at least one data point outside the mask. The trigger event occurs at the first point that appears outside the mask. A trigger event could occur on the first acquisition.
TF	Two states are required to initiate a trigger event. The signal must be inside the mask and then passes out of the mask. The trigger event occurs at the first transition where the signal passes out of the mask.
FT	Two states are required to initiate a trigger event. The signal must be outside the mask and then passes into the mask. The trigger event occurs at the first transition where the signal passes into the mask.

**Table 2-46: Trigger violations (cont.)**

<b>Violation</b>	<b>Description</b>
TFT	Three states are required to initiate a trigger event. The signal starts inside the mask and then passes out of the mask. Next, the signal must pass into the mask. The trigger event occurs at the second transition where the signal passes back into the mask.
FTF	Three states are required to initiate a trigger event. The signal starts outside the mask and then passes into the mask. Next, the signal must pass back outside the mask. The trigger event occurs at the second transition where the signal passes back out of the mask.

**Examples** TRIGGER:SEQUENCE:EVENT:INPUT:FMASK:VIOLATION TF specifies that the analyzer will trigger when the signal has crossed into the mask and then outside of the mask.

## TRIGger[:SEQuence]:EVENT:INPut:LEVel

Sets or queries the trigger level for the RF input level trigger.

**Conditions** Measurement views: All

**Group** Trigger commands

**Syntax** TRIGger[:SEQuence]:EVENT:INPut:LEVel <value>  
TRIGger[:SEQuence]:EVENT:INPut:LEVel?

**Arguments** <value> :: <Nrf> specifies the trigger level. Range: -170 to +50 dBm.

**Examples** TRIGGER:SEQUENCE:EVENT:INPUT:LEVEL -10 sets the trigger level to -10 dBm for the RF input level trigger.

## TRIGger[:SEQuence]:EVENT:INPut:RUNT:PULSe

Sets or queries the Runt trigger for a positive or negative going pulse.

**Conditions** Measurement views: All

Option 200 only

<b>Group</b>	Trigger commands
<b>Syntax</b>	TRIGger[:SEquence]:EVENT:INPut:RUNT:PULSe { POSitive   NEGative } TRIGger[:SEquence]:EVENT:INPut:RUNT:PULSe?
<b>Arguments</b>	POSitive causes the trigger event on a positive runt pulse. NEGative causes the trigger event on a negative runt pulse.
<b>Examples</b>	TRIGger:EVENT:INPut:RUNT:PULSe POSitive causes the trigger event on a positive pulse.

## TRIGger[:SEquence]:EVENT:INPut:RUNT:PULSe:HIGH:LEVel

Sets or queries the upper level (first threshold) to qualify a Runt trigger.

<b>Conditions</b>	Measurement views: All Option 200 only
<b>Group</b>	Trigger commands
<b>Syntax</b>	TRIGger[:SEquence]:EVENT:INPut:RUNT:PULSe:HIGH:LEVel <value> TRIGger[:SEquence]:EVENT:INPut:RUNT:PULSe:HIGH:LEVel?
<b>Arguments</b>	<value> :: <NRF> sets the upper vertical level for a runt pulse in dBm.
<b>Examples</b>	TRIGger:EVENT:INPut:RUNT:PULSe 300 causes the trigger event when the leading edge of a pulse crosses the 300 dBm level.

## TRIGger[:SEquence]:EVENT:INPut:RUNT:PULSe:LOW:LEVel

Sets or queries the lower level (second threshold) to qualify a Runt trigger.

<b>Conditions</b>	Measurement views: All Option 200 only
-------------------	---

<b>Group</b>	Trigger commands
<b>Syntax</b>	TRIGger[:SEQuence]:EVENT:INPut:RUNT:PULSe:LOW:LEVe] <value> TRIGger[:SEQuence]:EVENT:INPut:RUNT:PULSe:LOW:LEVe]?
<b>Arguments</b>	<value> :: <NRF> sets the lower vertical level for a runt pulse in dBm.
<b>Examples</b>	TRIGger:EVENT:INPut:RUNT:PULSE 3 causes the trigger event when the following edge of a pulse crosses the 3 dBm level.

## TRIGger[:SEQuence]:EVENT:INPut:SLOPe

Sets or queries the trigger slope for the RF input level trigger.

<b>Conditions</b>	Measurement views: All
<b>Group</b>	Trigger commands
<b>Syntax</b>	TRIGger[:SEQuence]:EVENT:INPut:SLOPe { RISE   FALL } TRIGger[:SEQuence]:EVENT:INPut:SLOPe?
<b>Arguments</b>	RISe causes the trigger event on the rising edge. FALL causes the trigger event on the falling edge.
<b>Examples</b>	TRIGGER:SEQUENCE:EVENT:INPUT:SLOPE RISE causes the trigger event on the rising edge of the RF input signal.

## TRIGger[:SEQuence]:EVENT:INPut:TDBWidth

Sets or queries the time-domain bandwidth for the RF input power trigger. This command is effective when [TRIGger\[:SEQuence\]:EVENT:INPut:TDBWidth:STAtE](#) is ON.

<b>Conditions</b>	Measurement views: All
<b>Group</b>	Trigger commands

<b>Syntax</b>	TRIGger[:SEquence]:EVENT:INPut:TDBwidth <value> TRIGger[:SEquence]:EVENT:INPut:TDBwidth?
<b>Arguments</b>	<value> :: <Nrf> specifies the time-domain bandwidth. Range: 1 Hz to 60 MHz.
<b>Examples</b>	TRIGGER:SEQUENCE:EVENT:INPUT:TDBWIDTH 5MHZ sets the time-domain bandwidth to 5 MHz for the RF input power trigger.

## TRIGger[:SEquence]:EVENT:INPut:TDBwidth:ACTual? (Query Only)

Queries the actual time-domain bandwidth for the RF input power trigger.

<b>Conditions</b>	Measurement views: All
<b>Group</b>	Trigger commands
<b>Syntax</b>	TRIGger[:SEquence]:EVENT:INPut:TDBwidth:ACTual?
<b>Related Commands</b>	<a href="#">TRIGger[:SEquence]:EVENT:INPut:TDBwidth</a>
<b>Arguments</b>	None
<b>Returns</b>	<Nrf> Actual time-domain bandwidth.
<b>Examples</b>	TRIGGER:SEQUENCE:EVENT:INPUT:TDBWIDTH:ACTUAL? might return 1.000E+6, indicating that the actual time-domain bandwidth is 1 MHz.

## TRIGger[:SEquence]:EVENT:INPut:TDBwidth:STATe

Determines whether to set the time-domain bandwidth automatically or manually for the RF input power trigger.

<b>Conditions</b>	Measurement views: All
<b>Group</b>	Trigger commands

**Syntax** TRIGGER[:SEQUENCE]:EVENT:INPUT:TDBWIDTH:STATE { OFF | ON | 0 | 1 }  
 TRIGGER[:SEQUENCE]:EVENT:INPUT:TDBWIDTH:STATE?

**Arguments** OFF or 0 sets the time-domain bandwidth automatically.  
 ON or 1 sets the time-domain bandwidth manually using the [TRIGGER\[:SEQUENCE\]:EVENT:INPUT:TDBWIDTH](#) command.

**Examples** TRIGGER:SEQUENCE:EVENT:INPUT:TDBWIDTH:STATE OFF sets the time-domain bandwidth automatically.

## TRIGGER[:SEQUENCE]:EVENT:INPUT:TYPE

Sets or queries the trigger type for the source of RF input.

**Conditions** Measurement views: All  
 Arguments DDENSITY and RUNT are Option 200 only

**Group** Trigger commands

**Syntax** TRIGGER[:SEQUENCE]:EVENT:INPUT:TYPE { POWER | FMASK | DDENSITY | RUNT | FEDGE }  
 TRIGGER[:SEQUENCE]:EVENT:INPUT:TYPE?

**Arguments** POWER uses the power level for triggering.  
 FMASK uses the frequency mask for triggering.  
 DDENSITY uses the density mask for triggering.  
 RUNT uses the runt mask for triggering.

**Examples** TRIGGER:SEQUENCE:EVENT:INPUT:TYPE FMASK uses the frequency mask for triggering.

## TRIGGER[:SEQUENCE]:EVENT:INPUT:FEDGE:SLOPE

Sets or queries the trigger slope of the frequency edge input.

**Conditions** Measurement views: All

<b>Group</b>	Trigger commands
<b>Syntax</b>	TRIGger[:SEquence]:EVENT:INPut:FEDGE:SLOPe { RISE   FALL } TRIGger[:SEquence]:EVENT:INPut:FEDGE:SLOPe?
<b>Arguments</b>	RISE causes the trigger event on the rising edge. FALL causes the trigger event on the falling edge.
<b>Examples</b>	TRIGGER:SEQUENCE:EVENT:INPUT:FEDGE:SLOPE RISE causes the trigger event on the rising edge of the frequency edge input.

## TRIGger[:SEquence]:EVENT:INPut:FEDGE:LEVel

Sets or queries the trigger level at the frequency edge input.

<b>Conditions</b>	Measurement views: All
<b>Group</b>	Trigger commands
<b>Syntax</b>	TRIGger[:SEquence]:EVENT:INPut:FEDGE:LEVel <value> TRIGger[:SEquence]:EVENT:INPut:FEDGE:LEVel?
<b>Arguments</b>	<value> :: <NRf> specifies the trigger level. Range: $\pm$ (Max AcqBW/2) Hz
<b>Examples</b>	TRIGGER:SEQUENCE:EVENT:INPUT:FEDGE:LEVEL 1.5 sets the trigger level to 1.5 V at the frequency edge input.

## TRIGger[:SEquence]:EVENT:INPut:FEDGE:LEVel:ACTual? (Query Only)

Queries the actual length of the frequency edge input for the DPX measurement.

<b>Conditions</b>	Measurement views: All
<b>Group</b>	Trigger commands

**Syntax** TRIGger[:SEQuence]:EVENT:INPut:FEDGE:LEVEl:ACTUAl?

**Arguments** None

**Returns** <NRf> The actual length in Hz.

**Examples** TRIGGER:SEQUENCE:EVENT:INPUT:FEDGE:LEVEL:ACTUAL? might return 10 Hz, indicating that the actual length is 10 Hz.

## TRIGger[:SEQuence]:EVENT:INPut:FEDGE:THReshold:LEVEl

Set or queries the threshold level in the DPX measurement.

**Conditions** Measurement views: All

**Group** Trigger commands

**Syntax** TRIGger[:SEQuence]:EVENT:INPut:FEDGE:THReshold:LEVEl <vaLue>  
TRIGger[:SEQuence]:EVENT:INPut:FEDGE:THReshold:LEVEl?

**Arguments** <vaLue> :: <NRf> specifies the threshold level.  
Range: 50 dBm to -170 dBm

**Examples** TRIGGER:SEQUENCE:EVENT:INPUT:FEDGE:THRESHOLD:LEVEL -25 sets the threshold level to -25 dBm.

## TRIGger[:SEQuence]:EVENT:INPut:FEDGE:THReshold:STATe

Set or queries the threshold state in the DPX measurement.

**Conditions** Measurement views: All

**Group** Trigger commands

**Syntax** TRIGger[:SEQuence]:EVENT:INPut:FEDGE:THReshold:STATe { OFF | ON | 0 | 1 }  
TRIGger[:SEQuence]:EVENT:INPut:FEDGE:THReshold:STATe?



<b>Arguments</b>	OFF or 0 disables the threshold. ON or 1 enables the threshold.
<b>Examples</b>	TRIGGER:SEQUENCE:EVENT:INPUT:TDBWIDTH:STATE OFF enables the threshold.

## TRIGger:DPX:TDM:SHOW:ALL

Sets or queries the selections of the DPX Prefs control panel tab page.

<b>Conditions</b>	Measurement views: All
<b>Group</b>	Trigger commands
<b>Syntax</b>	TRIGger:DPX:TDM:SHOW:ALL { OFF   ON   0   1 } TRIGger:DPX:TDM:SHOW:ALL?
<b>Arguments</b>	OFF or 0 selects the Synch with acquisition triggers option. ON or 1 selects the Trigger as fast as possible option.
<b>Examples</b>	TRIGGER:DPX:TDM:SHOW:ALL ON selects the Trigger as fast as possible option in the DPX Prefs control panel tab.

## TRIGger[:SEQuence]:EVENT:SOURce

Sets or queries the trigger event source.

<b>Conditions</b>	Measurement views: All
<b>Group</b>	Trigger commands
<b>Syntax</b>	TRIGger[:SEQuence]:EVENT:SOURce { INPut   EXTFront   EXTRear   EXTGated   LINE } TRIGger[:SEQuence]:EVENT:SOURce?

**Arguments** The following table lists the arguments.

**Table 2-47: Trigger event source**

Argument	Source
INPut	RF input
EXTFront	Trigger in (front)
EXTRear	Trigger in (rear)
EXTGated	Gate in
LINe	AC line

**Examples** TRIGGER:SEQUENCE:EVENT:SOURCE INPut specifies the trigger event source as the RF input.

## TRIGger[:SEQuence]:FORCed

Determines whether or not to cause a manual trigger if the acquisition is armed, ready and waiting for a trigger. This command is valid when [TRIGger\[:SEQuence\]:TIME:QUALified:TIME<x>](#) is set to On (the trigger mode is Triggered).

**Conditions** Measurement views: All

**Group** Trigger commands

**Syntax** TRIGger[:SEQuence]:FORCed { OFF | ON | 0 | 1 }  
TRIGger[:SEQuence]:FORCed?

**Arguments** OFF or 0 does not cause a manual trigger.  
ON or 1 causes a manual trigger.

**Examples** TRIGGER:SEQUENCE:FORCED ON causes a manual trigger if the acquisition is armed, ready and waiting for a trigger.

## TRIGger[:SEQuence]:IMMediate (No Query Form)

Causes a trigger immediately, skipping the event detection and delay. This command is valid when [TRIGger\[:SEQuence\]:TIME:QUALified:TIME<x>](#) is set to On (the trigger mode is Triggered).

<b>Conditions</b>	Measurement views: All
<b>Group</b>	Trigger commands
<b>Syntax</b>	TRIGger[:SEQuence]:IMMediate
<b>Arguments</b>	None
<b>Examples</b>	TRIGGER:SEQUENCE:IMMEDIATE causes a trigger immediately, skipping the event detection and delay.

## TRIGger[:SEQuence]:STATus

Sets or queries the trigger mode (Free Run or Triggered).

<b>Conditions</b>	Measurement views: All
<b>Group</b>	Trigger commands
<b>Syntax</b>	TRIGger[:SEQuence]:STATus { OFF   ON   0   1 } TRIGger[:SEQuence]:STATus?
<b>Arguments</b>	OFF or 0 selects the free-run mode. ON or 1 selects the triggered mode.
<b>Examples</b>	TRIGGER:SEQUENCE:STATUS ON selects the triggered mode.

## TRIGger[:SEQuence]:TIME:DELay

Sets or queries the trigger delay time which occurs after recognizing an event but before actually declaring the trigger.

<b>Conditions</b>	Measurement views: All
<b>Group</b>	Trigger commands

**Syntax** TRIGger[:SEquence]:TIME:DElay <value>  
TRIGger[:SEquence]:TIME:DElay?

**Arguments** <value> :: <NRF> specifies the trigger delay time. Range: 0 to 60 s.

**Examples** TRIGGER:SEQUENCE:TIME:DELAY 1.5 sets the trigger delay time to 1.5 s.

## TRIGger[:SEquence]:TIME:POSition

Sets or queries the position of the trigger event within the acquisition record.

**Conditions** Measurement views: All

**Group** Trigger commands

**Syntax** TRIGger[:SEquence]:TIME:POSition <value>  
TRIGger[:SEquence]:TIME:POSition?

**Arguments** <value> :: <NRF> specifies the trigger position. Range: 1% to 99%.

**Examples** TRIGGER:SEQUENCE:TIME:POSITION 20 sets the trigger position to 20% of the acquisition record.

## TRIGger[:Sequence]:TIME:POSition:AUTO

Sets or queries the position of the trigger event (automatic or manual) within the acquisition record.

**Conditions** Measurement views: All

**Group** Trigger commands

**Syntax** TRIGger[:Sequence]:TIME:POSition:AUTO { OFF | ON | 0 | 1 }  
TRIGger[:Sequence]:TIME:POSition:AUTO?

**Arguments** OFF or 0 sets the position of the trigger event manually.  
ON or 1 sets the position of the trigger event automatically.

**Examples** TRIGGER:SEQUENCE:TIME:POSITION:AUTO ON sets the position of the trigger event automatically.

## TRIGger[:SEQuence]:TIME:QUALified

Sets or queries the timing qualification setting for triggers. Trigger events that do not meet the timing qualifications are ignored.

**Conditions** Measurement views: All  
Option 200 only

**Group** Trigger commands

**Syntax** TRIGger[:SEQuence]:TIME:QUALified { SHORTer | LONGer |  
INSide | OUTSide | NONE }  
TRIGger[:SEQuence]:TIME:QUALified?

**Arguments** SHORTer the length of the trigger event is shorter than the time specified by the TRIGger:TIME:QUALified:TIME1 setting.

LONGer the length of the trigger event is longer than the time specified by the TRIGger:TIME:QUALified:TIME1 setting.

INSide the length of the trigger event is longer than the time TRIGger:TIME:QUALified:TIME1 setting and shorter than the TRIGger:TIME:QUALified:TIME2 setting.

OUTSide the length of the trigger event is shorter than the time TRIGger:TIME:QUALified:TIME1 setting or longer than the TRIGger:QUALified:TIME2 setting.

**Examples** TRIGger:SEQuence:TIME:QUALified SHORTer the length of the trigger event is shorter than the time specified by the TRIGger:TIME:DELAY setting

## TRIGger[:SEQuence]:TIME:QUALified:TIME<x>

Sets or queries the Time1 and Time2 parameters for time qualified triggering. Time1 is the shorter or first time, and Time2 is the second or later time for the qualifying period. Each TIME<x> must be set with a separate command.

<b>Conditions</b>	Measurement views: All Option 200 only
<b>Group</b>	Trigger commands
<b>Syntax</b>	TRIGger[:SEQuence]:TIME:QUALified:TIME<x> <value>
<b>Related Commands</b>	<a href="#">TRIGger[:SEQuence]:TIME:QUALified</a>
<b>Arguments</b>	<value> :: <NRF> the length of the trigger time for TIME1 or TIME2. Range: 0 s to 28 s.
<b>Examples</b>	TRIGger:TIME:QUALified:TIME1 55us sets the TIME1 trigger point at 55 us after the trigger event.

## UNIT:POWer

Sets or queries the fundamental unit of power. This command is equivalent to [\[SENSE\]:POWer:UNITs](#).

<b>Conditions</b>	Measurement views: All
<b>Group</b>	Unit commands
<b>Syntax</b>	UNIT:Power { DBM   DBV   VOLTs   WATTs   DBUW   DBW   DBUV   DBMV   DBUA   DBUV_M   DBUA_M   AMPS } UNIT:Power?
<b>Arguments</b>	The following table lists the arguments.

**Table 2-48: Power units**

Argument	Power unit
DBM	dBm
DBV	dBV
VOLTs	Volts
WATTs	Watts
DBUW	dB $\mu$ W

Table 2-48: Power units (cont.)

Argument	Power unit
DBW	dBW
DBUV	dB $\mu$ V
DBMV	dBmV
DBUA	dB $\mu$ A
DBUV_M	dB $\mu$ V/m
DBUA_M	dB $\mu$ A/m
AMPS	Amps

**NOTE.** Select dB $\mu$ V/m or dB $\mu$ A/m unit when using an antenna table.

**Examples** UNIT: POWERDBM specifies the fundamental unit of power as dBm.

## \*WAI (No Query Form)

Prevents the analyzer from executing further commands or queries until all pending operations finish. This command allows you to synchronize the operation of the analyzer with your application program. For the details, refer to *Synchronizing Execution* (See page 3-11.).

**Conditions** Measurement views: All

**Group** IEEE common commands

**Syntax** \*WAI

**Related Commands** \*OPC

**Arguments** None





---

# Status and Events



# Status and Events

The SCPI interface in the analyzer includes a status and event reporting system that enables the user to monitor crucial events that occur in the instrument. The analyzer is equipped with four registers and one queue that conform to IEEE Std 488.2-1987. This section will discuss these registers and queues along with status and event processing.

## Status and Event Reporting System

The following figure outlines the status and event reporting mechanism offered in the RSA6100A Series analyzers. It contains three major blocks

- Standard Event Status
- Operation Status
- Questionable Status (fan-out structure)

The processes performed in these blocks are summarized in the Status Byte. The three blocks contain four types of registers as shown in the following table.

**Table 3-1: Register type**

Register	Description
Condition register	Records event occurrence in the instrument. Read only.
Transition register (positive/negative)	A positive transition filter allows an event to be reported when a condition changes from false to true. A negative filter allows an event to be reported when a condition changes from true to false. Setting both positive and negative filters true allows an event to be reported anytime the condition changes. Clearing both filters disables event reporting.
Event register	Records events filtered by the transition register. Read only.
Enable register	Masks the event register to report in the summary bit. User-definable.

\* The use of Bit 15 is not allowed in SCPI.  
 The value of this bit is always zero.

CR: Condition Register  
 TR: Transition Register  
 EVR: Event Register  
 ENR: Enable Register

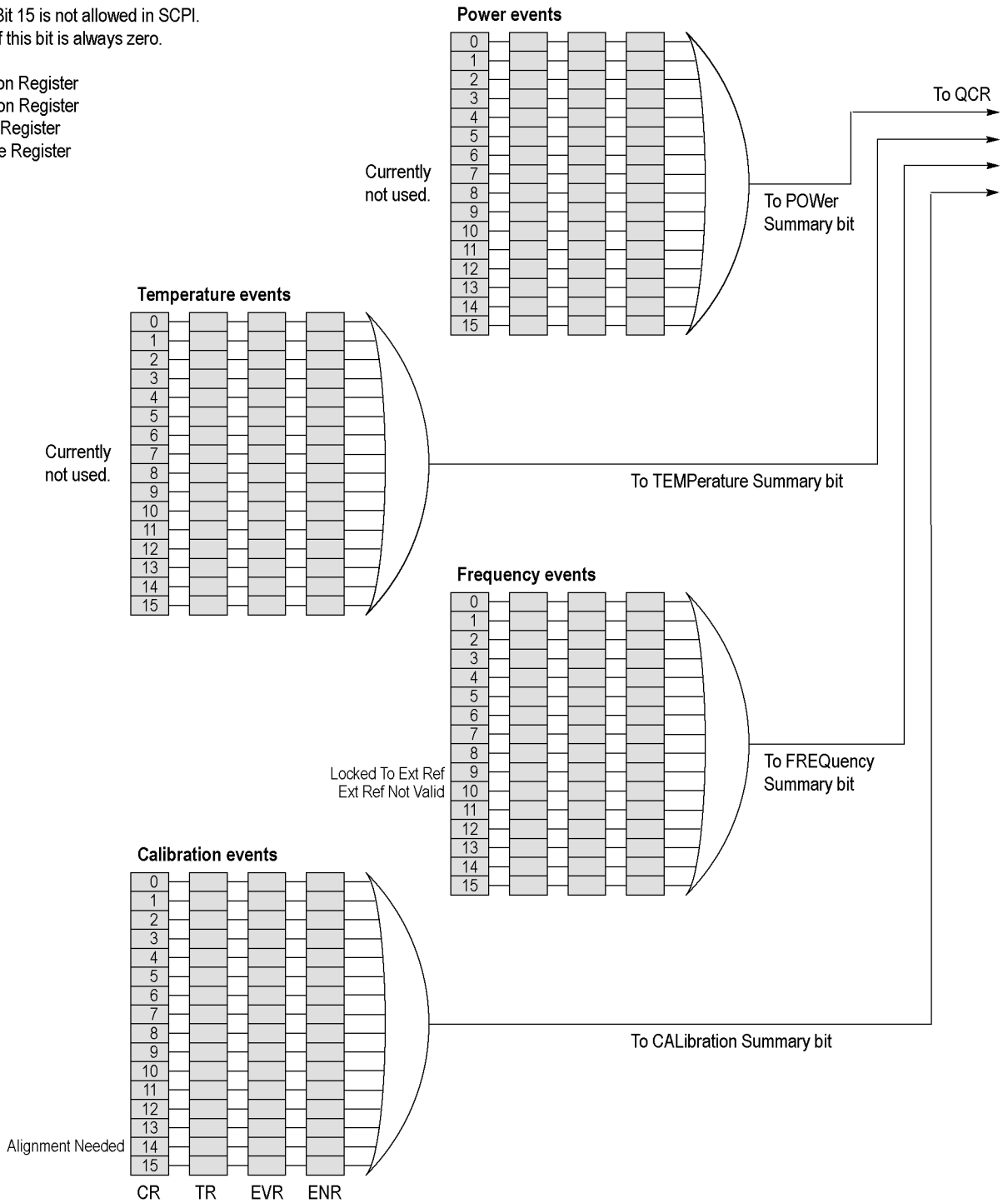


Figure 3-1: Status/Event reporting mechanism

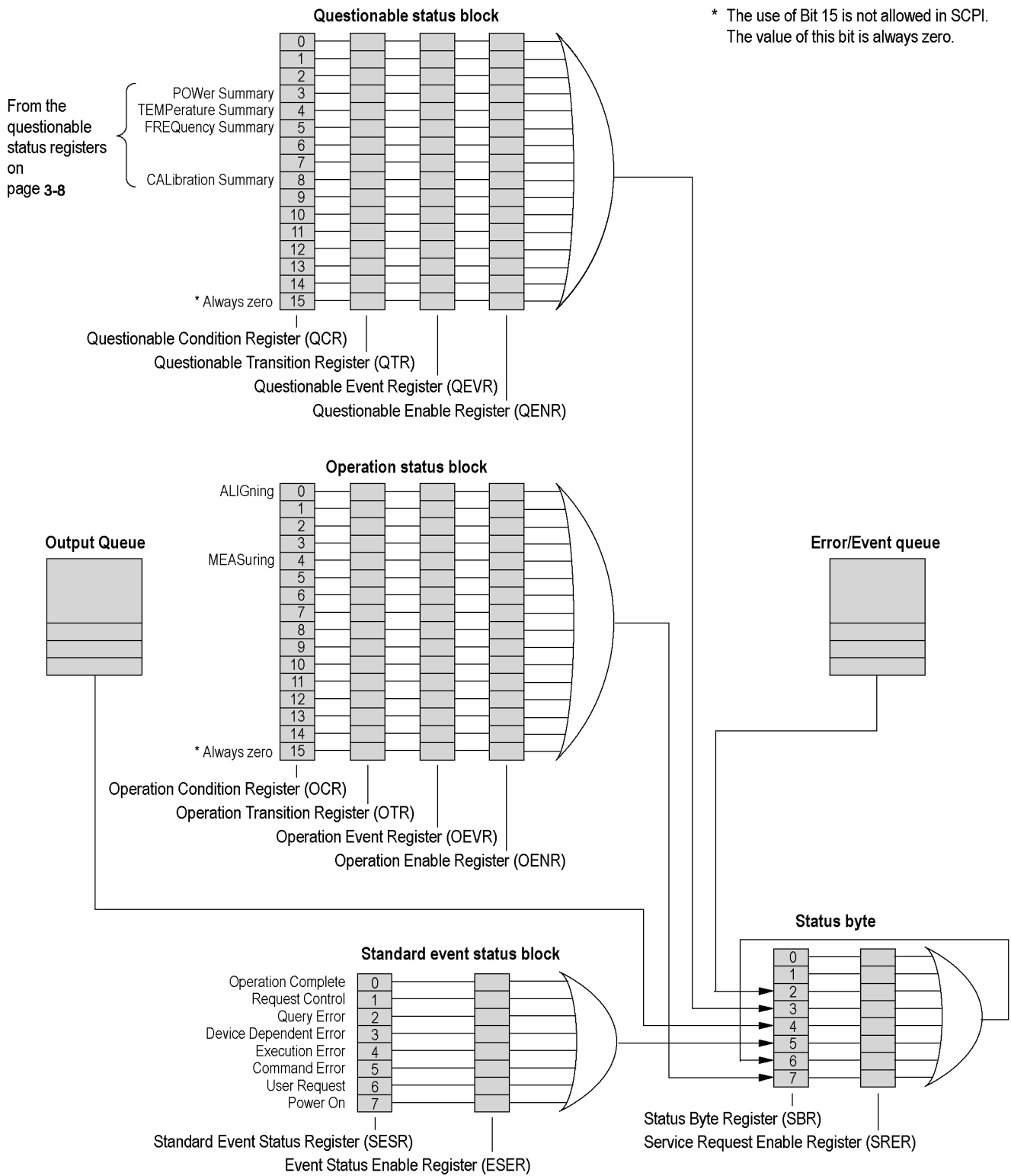


Figure 3-2: Status/Event reporting mechanism (Cont.)

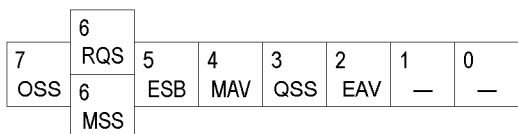
## Status Byte

The Status Byte contains the following two registers

- Status Byte Register (SBR)
- Service Request Enable Register (SRER)

### Status Byte Register (SBR)

The SBR is made up of 8 bits. Bits 4, 5 and 6 are defined in accordance with IEEE Std 488.2-1987. These bits are used to monitor the output queue, SESR and service requests, respectively. The contents of this register are returned when the \*STB? query is used.



**Figure 3-3: Status Byte Register (SBR)**

**Table 3-2: SBR bit functions**

Bit	Description
7	Operation Summary Status (OSS). Summary of the operation status register.
6	Request Service (RQS)/Master Status Summary (MSS). When the instrument is accessed using the GPIB serial poll command, this bit is called the Request Service (RQS) bit and indicates to the controller that a service request has occurred (in other words, that the GPIB bus SRQ line is LOW). The RQS bit is cleared when serial poll ends.  When the instrument is accessed using the *STB? query, this bit is called the Master Status Summary (MSS) bit and indicates that the instrument has issued a service request for one or more reasons. The MSS bit is never cleared to 0 by the *STB? query.
5	Event Status Bit (ESB). This bit indicates whether or not a new event has occurred after the previous Standard Event Status Register (SESR) has been cleared or after an event readout has been performed.
4	Message Available Bit (MAV). This bit indicates that a message has been placed in the output queue and can be retrieved.
3	Questionable Summary Status (QSS). Summary of the Questionable Status Byte register.
2	Event Quantity Available (EAV). Summary of the Error Event Queue.
1-0	Not used

### Service Request Enable Register (SRER)

The SRER is made up of bits defined exactly the same as bits 0 through 7 in the SBR as shown in the following figure. This register is used by the user to determine what events will generate service requests.

The SRER bit 6 cannot be set. Also, the RQS is not maskable.

The generation of a service request with the GPIB interface involves changing the SRQ line to LOW and making a service request to the controller. The result is that a status byte for which an RQS has been set is returned in response to serial polling by the controller.

Use the \*SRE command to set the bits of the SRER. Use the \*SRE? query to read the contents of the SRER. Bit 6 must normally be set to 0.

7	6	5	4	3	2	1	0
OSB	—	ESB	MAV	QSB	—	—	—

Figure 3-4: Service Request Enable Register (SRER)

## Standard Event Status Block

Reports the power on/off state, command errors, and the running state. It consists of the following registers

- Standard Event Status Register (SESR)
- Event Status Enable Register (ESER)

These registers are made up of the same bits defined in the following figure and table. Use the \*ESR? query to read the contents of the SESR. Use the \*ESE() command to access the ESER.

7	6	5	4	3	2	1	0
PON	—	CME	EXE	DDE	QYE	—	OPC

Figure 3-5: Standard event status register

Table 3-3: Standard event status register bit definition

Bit	Description
7	Power On (PON). Indicates that the power to the instrument is on.
6	Not used.
5	Command Error (CME). Indicates that a command error has occurred while parsing by the command parser was in progress.
4	Execution Error (EXE). Indicates that an error occurred during the execution of a command. Execution errors occur for one of the following reasons <ul style="list-style-type: none"> <li>■ When a value designated in the argument is outside the allowable range of the instrument, or is in conflict with the capabilities of the instrument.</li> <li>■ When the command could not be executed properly because the conditions for execution differed from those essentially required.</li> </ul>
3	Device-Dependent Error (DDE). An instrument error has been detected.

**Table 3-3: Standard event status register bit definition (cont.)**

Bit	Description
2	Query Error (QYE). Indicates that a query error has been detected by the output queue controller. Query errors occur for one of the following reasons <ul style="list-style-type: none"> <li>■ An attempt was made to retrieve messages from the output queue, despite the fact that the output queue is empty or in pending status.</li> <li>■ The output queue messages have been cleared despite the fact that they have not been retrieved.</li> </ul>
1	Not used.
0	Operation Complete (OPC). This bit is set with the results of the execution of the *OPC command. It indicates that all pending operations have been completed.

When an event occurs, the SESR bit corresponding to the event is set, resulting in the event being stacked in the Error/Event Queue. The SBR OAV bit is also set. If the bit corresponding to the event has also been set in the ESER, the SBR ESB bit is also set. When a message is sent to the Output Queue, the SBR MAV bit is set.

## Operation Status Block

The operation status block contains conditions that are part of the instrument's normal operation. It consists of the following registers

- Operation Condition Register (OCR)
- Operation Positive/ Negative Transition Register (OPTR/ONTR)
- Operation Event Register (OEVR)
- Operation Enable Register (OENR)

These registers are made up of the same bits defined in the following table and figure. Use the STATus:OPERation commands to access the operation status register set.

15	14	13	12	11	10	9	8	7	6	5	4	3	2	1	0
											MEAS				ALIG

**Figure 3-6: Operation status register**

**Table 3-4: Operation status register bit definition**

Bit	Description
15	Always zero (0).
14 - 5	Not used.



**Table 3-4: Operation status register bit definition (cont.)**

Bit	Description
4	Measuring (MEAS). Indicates that the instrument is actively measuring. When the measurement ends after this bit is set in measurement, it is reset. "In measurement" means that one of the following commands is in execution: <ul style="list-style-type: none"> <li>■ INITiate commands</li> <li>■ READ commands</li> </ul>
3 - 1	Not used.
0	Aligning (ALIG). Indicates that the instrument is currently performing an alignment. When the alignment ends after this bit is set in alignment, it is reset.

When the specified state changes in the OCR, its bit is set or reset. This change is filtered with a transition register, and the corresponding bit of the OEVR is set. If the bit corresponding to the event has also been set in the OENR, the SBR OSS bit is also set.

## Questionable Status Block

The questionable status register set contains bits which give an indication of the quality of various aspects of the signal together with the fanned out registers as described in the next subsections. It consists of the following registers

- Questionable Condition Register (QCR)
- Questionable Positive/Negative Transition Register (QPTR/QNTR)
- Questionable Event Register (QEVR)
- Questionable Enable Register (QENR)

These registers are made up of the same bits defined in the following table and figure. Use the STATUS:QUESTionable commands to access the questionable status register set.

15	14	13	12	11	10	9	8	7	6	5	4	3	2	1	0
	CW						CAL			FREQ	TEMP	POW			

**Figure 3-7: Questionable status register**

**Table 3-5: Questionable status register bit definition**

Bit	Description
15	Always zero (0).
14	Command Warning (CW). Indicates a non-fatal warning that relates to the instrument's interpretation of a command, query, or one or more parameters of a specific command or query.
13 - 9	Not used.

**Table 3-5: Questionable status register bit definition (cont.)**

Bit	Description
8	CALibration Summary (CAL). Summary of the Questionable Calibration register.
7, 6	Not used.
5	FREQuency Summary (FREQ). Summary of the Questionable Frequency register.
4	TEMPerature Summary (TEMP). Summary of the Questionable Temperature register.
3	POWEr Summary (POW). Summary of the Questionable Power register.
2 - 0	Not used.

When the specified state changes in the QCR, its bit is set or reset. This change is filtered with a transition register, and the corresponding bit of the QEVR is set. If the bit corresponding to the event has also been set in the QENR, the SBR QSS bit is also set.

**Questionable Power Register Set**

Refines the power error for the POWER bit in the QCR.  
*Currently not used.*

**Questionable Temperature Register Set**

Refines the temperature error for the TEMPERATURE bit in the QCR.  
*Currently not used.*

**Questionable Frequency Register Set**

The questionable frequency register set is made up of bits defined in the following table and figure. It refines the frequency error for the FREQUENCY bit in the QCR. Use the STATUS:QUESTIONABLE:FREQUENCY commands to access the questionable frequency register set.

15	14	13	12	11	10	9	8	7	6	5	4	3	2	1	0
					ERNV	LTER									

**Figure 3-8: Questionable frequency status register**

**Table 3-6: Questionable frequency status register bit definition**

Bit	Description
15	Always zero (0).
14 - 11	Not used.
10	External Ref Not Valid (ERNV). Indicates that the external reference signal is not valid so the instrument is no longer locked to it.
9	Locked To External Ref (LTER). Indicates that the instrument is locked to the external reference signal.
8 - 0	Not used.

### Questionable Calibration Register Set

The questionable calibration register set is made up of bits defined in the following table and figure. It refines the calibration error for the CALibration bit in the QCR. Use the STATus:QUESTionable:CALibration commands to access the questionable calibration register set.

15	14 ALN	13	12	11	10	9	8	7	6	5	4	3	2	1	0
----	-----------	----	----	----	----	---	---	---	---	---	---	---	---	---	---

Figure 3-9: Questionable calibration status register

Table 3-7: Questionable calibration status register bit definition

Bit	Description
15	Always zero.
14	Alignment Needed (ALN). Indicates the instrument needs the alignment.
13 - 0	Not used.

## Queues

There are two types of queues in the status reporting system used in the analyzer: output queues and event queues.

### Output Queue

The output queue is a FIFO (first in, first out) queue and holds response messages to queries, where they await retrieval. When there are messages in the queue, the SBR MAV bit is set.

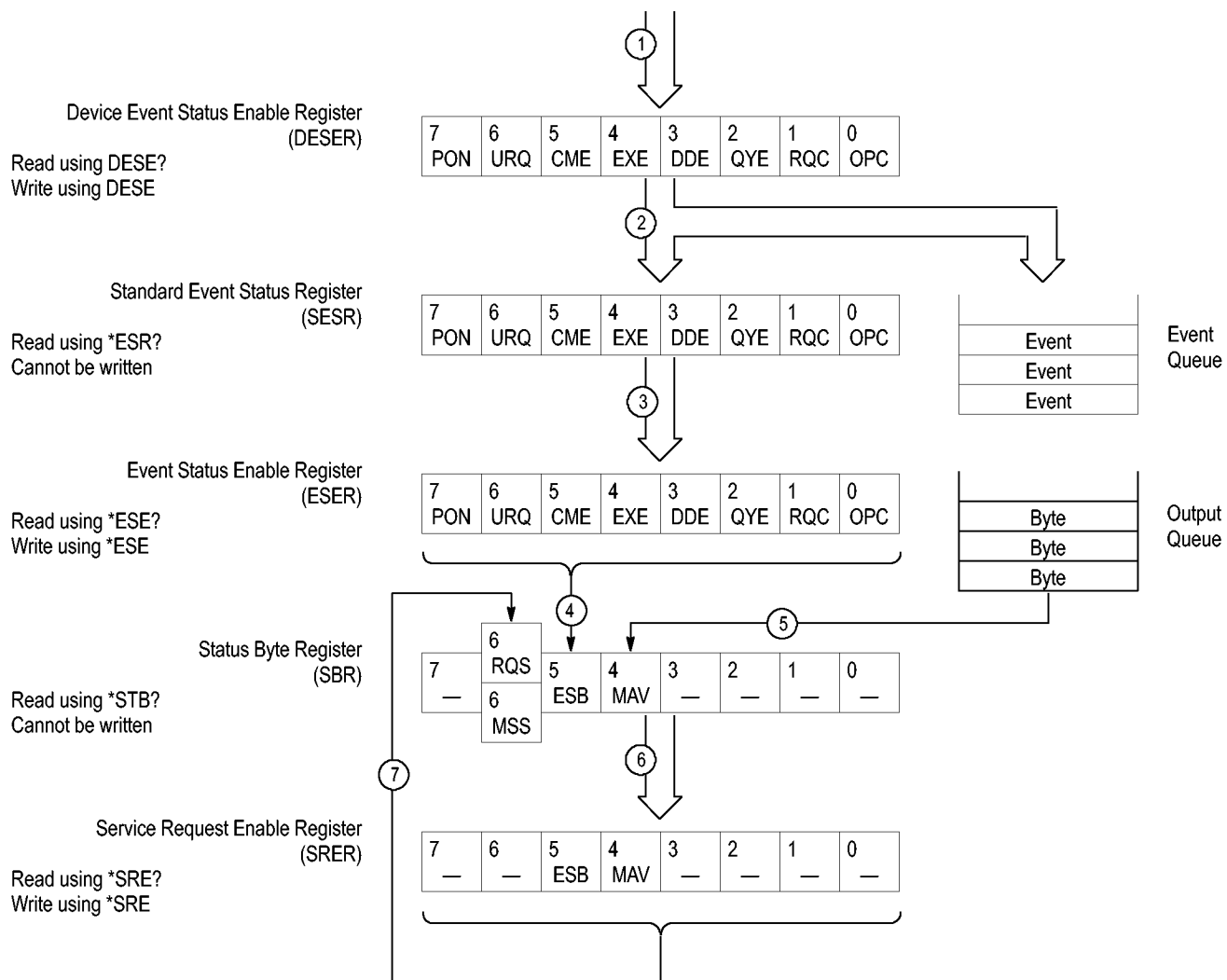
The output queue will be emptied each time a command or query is received, so the controller must read the output queue before the next command or query is issued. If this is not done, an error will occur and the output queue will be emptied; however, the operation will proceed even if an error occurs.

### Event Queue

The event queue is a FIFO queue and stores events as they occur in the analyzer. If more than 32 events occur, event 32 will be replaced with event code -350 ("Queue Overflow"). The error code and text are retrieved using the SYSTem:ERRor queries.

## Status and Event Processing Sequence

The following figure shows an outline of the sequence for status and event processing.



**Figure 3-10: Status and event processing sequence**

1. If an event has occurred, the SESR bit corresponding to that event is set and the event is placed in the event queue.
2. A bit corresponding to that event in the ESER has is set.
3. The SBR ESB bit is set to reflect the status of the ESER.
4. When a message is sent to the output queue, the SBR MAV bit is set.
5. Setting either the ESB or MAV bits in the SBR sets the respective bit in the SRER.
6. When the SRER bit is set, the SBR MSS bit is set and a service request is generated when using the GPIB interface.

## Synchronizing Execution

Almost all commands are executed in the order in which they are sent from the controller, and the execution of each command is completed in a short period of time. However, the following commands perform data analysis in another thread, and another command can thus be executed concurrently

- INITiate commands
- READ commands
- [SENSe]:REANalyze

These commands are designed so that the next command to be sent is executed without waiting for the previous command to be completed. In some cases, a process executed by another command must first be completed before these commands can be executed; in other cases, these commands must be completed before the next command is executed.

You have two options to achieve command synchronization

- Using the status and event reporting function
- Using synchronizing commands

### Using the Status and Event Reporting Function

In the following example, a READ command is used to obtain the measurement results while the Operation Condition Register (OCR) is being used to provide synchronization.

```

STATUS:OPERation:NTransition 16
// Set the filter of the OCR MEASuring bit
STATUS:OPERation:ENABle 16
// Enable the filter of the OCR MEASuring bit
*SRE 128
// Set the SRER OSS bit
READ:SPECTrum:TRACe
// Obtain the measurement results

```

The command waits for generation of SRQ.

### Using Synchronizing Commands

The IEEE-488.2 common commands include the following synchronizing commands

- \*OPC
- \*OPC?
- \*WAI

**Using the \*OPC command.** The \*OPC command sets the SESR OPC bit when all the operations for which it is waiting are completed. If the GPIB interface is in

use, you can synchronize the execution by using this command together with the serial polling or service request function.

The following is a command sequence example:

```
*ESE 1
  // Enable the ESER OPC bit
*SRE 32
  // Enable the SRER ESB bit
ABORT;INITiate:IMMEDIATE;*OPC
  // Wait for SRQ to provide synchronization
```

**Using the \*OPC? query.** The query \*OPC? writes ASCII code "1" into the Output Queue when all operations for which it is waiting are completed. You can provide synchronization using the command string as the following example:

```
ABORT;INITiate:IMMEDIATE;*OPC
```

The command waits until "1" is written into the Output Queue. When the command goes to the Output Queue to read the data, a time-out may occur before the data is written into the queue.

**Using the \*WAI Command.** After the process of the preceding command is completed, the \*WAI command begins to execute the process of the next command as the following example:

```
ABORT;INITiate:IMMEDIATE;*WAI
  // Wait for the *WAI process to provide synchronization
```

## Error Messages and Codes

Error codes with a negative value are SCPI standard error codes; errors with a positive value are unique to the RSA6100A Series Real-Time Spectrum Analyzers.

Event codes and messages can be obtained by using the queries `SYSTEM:ERROR?` and `SYSTEM:ERROR:ALL?` These are returned in the following format

```
<event_code>,"<event_message>"
```

## Command Errors

Command errors are returned when there is a syntax error in the command.

**Table 3-8: Command errors**

Error code	Error message
-100	Command error
-101	Invalid character
-102	Syntax error
-103	Invalid separator
-104	Data type error
-105	GET not allowed
107	Can't replay - settings not compatible with data record
-109	Missing parameter
-111	Header separator error
-112	Program mnemonic too long
-113	Undefined header
-114	Header suffix out of range
-120	Numeric data error
-121	Character
-123	Exponent too large
-124	Too many digits
-128	Numeric data not allowed
-130	Suffix error
-131	Invalid suffix
-134	Suffix too long
-138	Suffix not allowed
-140	Character data error
-141	Invalid character data
-144	Character data too long
-148	Character data not allowed

**Table 3-8: Command errors (cont.)**

<b>Error code</b>	<b>Error message</b>
-150	String data error
-151	Invalid string data
-158	String data not allowed
-160	Block data error
-161	Invalid block data
-168	Block data not allowed
-170	Command expression error
-171	Invalid expression
-178	Expression data not allowed
-180	Macro error
-181	Invalid outside macro definition
-183	Invalid inside macro definition
-184	Macro parameter error

## Execution Errors

These error codes are returned when an error is detected while a command is being executed.

**Table 3-9: Execution errors**

<b>Error code</b>	<b>Error message</b>
-200	Execution error
-201	Invalid while in local
-202	Settings lost due to RTL
-210	Trigger error
-211	Trigger ignored
-212	Arm ignored
-213	Init ignored
-214	Trigger deadlock
-215	Arm deadlock
-220	Parameter error
-221	Settings conflict
-222	Data out of range
-223	Too much data
-224	Illegal parameter value
-225	Out of memory
-226	Lists not same length



**Table 3-9: Execution errors (cont.)**

<b>Error code</b>	<b>Error message</b>
-230	Data corrupt or stale
-231	Data questionable
-240	Hardware error
-241	Hardware missing
-250	Mass storage error
-251	Missing mass storage
-252	Missing media
-253	Corrupt media
-254	Media full
-255	Directory full
-256	Filename not found
-257	Filename error
-258	Media protected
-260	Execution expression error
-261	Math error in expression
-270	Execution macro error
-271	Macro syntax error
-272	Macro execution error
-273	Illegal macro label
-274	Execution macro parameter error
-275	Macro definition too long
-276	Macro recursion error
-277	Macro redefinition not allowed
-278	Macro header not found
-280	Program error
-281	Cannot create program
-282	Illegal program name
-283	Illegal variable name
-284	Program currently running
-285	Program syntax error
-286	Program runtime error

## Device Specific Errors

These error codes are returned when an internal instrument error is detected. This type of error may indicate a hardware problem.

**Table 3-10: Device specific errors**

Error code	Error message
-300	Device specific error
-310	System error
-311	Memory error
-312	PUD memory lost
-313	Calibration memory lost
-314	Save/Recall memory lost
-315	Configuration memory lost
-330	Self test failed
-350	Queue overflow

## Query Errors

These error codes are returned in response to an unanswered query.

**Table 3-11: Query errors**

Error code	Error message
-400	Query error
-410	Query interrupted
-420	Query unterminated
-430	Query deadlocked
-440	Query unterminated after indefinite period

## Device Errors

These error codes are unique to the RSA6100A Series. They are classified into three groups: global, measurement, and source conditions, as shown in the following tables.

**Table 3-12: Device errors, global condition**

Error code	Error message
100	Setup error
101	Disabled: data is from swept acquisition
102	Disabled: swept settings; Acquire data while display is selected
103	Acquisition bandwidth too small for current setup
104	Can't get acquisition data record
105	Can't open the requested display
106	Analysis failure

**Table 3-12: Device errors, global condition (cont.)**

<b>Error code</b>	<b>Error message</b>
107	Analysis length was limited
108	Analysis length too small for current setup
109	No math trace: unmatched trace lengths
110	Analysis time was adjusted
111	Not enough samples for current setup
112	Can't replay. Data is from swept acquisition.
113	Can't replay. Live data needed for swept settings.
114	Recall error: setup not completely restored
115	Recall failure: problem with file or file contents
116	Save failure: file not saved
117	Unexpected software error. Please cycle power and try again.
118	Export failure: file not saved
119	Export failure: unable to open results file for export. File not saved.
120	Search condition for this result is already defined.
121	Search condition for this result was not found.
124	Load failed: <filename>
125	Store error: file not saved.
126	No Math trace: unmatched trace X range
127	Not enough memory for measurement
128	Incomplete analysis
129	Not enough samples for current setup
130	Mask creation error: <reason message>

**Table 3-13: Device errors, measurement condition**

<b>Error code</b>	<b>Error message</b>
1000	TDBW actual (TDBW: Time Domain Bandwidth)
1002	RBW increased to
1003	RBW limited by acquisition bandwidth to
1004	RBW conflict. Increase span or analysis length
1011	Audio disabled: configuration problem
1012	Audio Demod disabled: swept acquisition
1013	Audio Demod disabled: trigger in use
1014	Audio disabled: IF band outside Acq BW
1015	Calibration error. See Windows Event Viewer for error detail.
<b>OBW errors</b>	
1016	Analysis failure: $AcqBW < MeasBW + (5 \times RBW)$
1017	Analysis failure: AcqBW must be 10 kHz or more

**Table 3-13: Device errors, measurement condition (cont.)**

<b>Error code</b>	<b>Error message</b>
1018	x dB BW > Meas BW
<b>Pulse errors</b>	
1019	AcqBW too low for current Chirp BW setting
1020	Impulse Response only valid for Chirp modulation
1023	Not enough memory for measurement
<b>Other measurements</b>	
1024	BW actual (limited by Acq BW)
1025	CISPR not available in FastFrame. Uncheck FastFrame in the Acquire panel.
1026	Analysis length must be in auto.
1027	Carrier not found
1029	CISPR accuracy limited by acq memory. Adjust RBW or freq range.
1030	CISPR: Acq BW too small for RBW. Try increasing span or freq range.
1031	Insufficient data for CISPR. Acquire while display is selected.
1032	VBW increased - Analysis Length too short
1033	VBW does not use full Analysis Length.
1034	Analysis time was adjusted\nReached sample limit of

**Table 3-14: Device errors, source condition**

<b>Error code</b>	<b>Error message</b>
2008	Not calibrated
2009	FMT RBW limited by Acq BW to <XX>
2010	FMT RBW increased by Acq BW to <XX>
2011	Hardware failure - see Windows Event Viewer
2012	FMT disabled: Acq BW too small for current setup
2013	Hardware failure detected by diagnostics
2014	FMT disabled: RefLev too low for Volts/Watts units
2015	FMT disabled: settings conflict with selected measurement
2016	Preamp freq range exceeded
2024	RBW limited by Span to <XX>
2025	RBW increased by Span to <XX>
2028	External frequency reference signal not valid. Using internal reference.
2029	Unable to lock to external frequency reference. Using internal reference.
2033	Alignment error. Please run alignment again. If the problem persists, contact your Tektronix Service Center.
2034	Operational error: unable to complete operation. Please try again. If the problem persists, contact your Tektronix Service Center. See Windows Event Viewer for error detail.

**Table 3-14: Device errors, source condition (cont.)**

<b>Error code</b>	<b>Error message</b>
2035	Hardware error: unable to configure hardware. Please try again. If the problem persists, contact your Tektronix Service Center. See Windows Event Viewer for error detail.
2036	Shutting down - internal temperature is too high. Check fans and airflow. If the problem persists, contact your Tektronix Service Center.
2037	Hardware error detected. To clear error, exit and restart the application. If the problem persists, contact your Tektronix Service Center.
2038	Disabled: RefLev too low\nfor Volts/Watts units
2042	Ext Corr > 20 dB pk-pk in acq segment
2044	Combined External Correction tables exceed the 60 dB peak-to-peak limit. External Correction tables were disabled. Please check table values and try again.
2045	Disabled: FastFrame doesn't support swept settings.
2046	Attenuator use currently exceeds the cautionary limit of 1200 changes per hour. Operation was stopped to protect against premature wear-out. The monitor function can be temporarily disabled in the Amplitude control panel or over the programmatic interface. Specified lifetime for an attenuator is 10,000,000 changes.
2047	Disabled: settings conflict with selected measurement
2048	Done saving — restart with Stop, then Run. The maximum number of files saved per run have been saved. To restart another FastSave acquisition, send INITIATE.

## Status Conditions

Status conditions do not appear in the event queue, they are only returned by a :STATus:<measurement>EVENTs? query.

### Global Status

Global status conditions can be returned with any :STATus:<measurement>EVENTs? query.

**Table 3-15: Global status conditions**

Status code	Status message
10107	Analysis Length was limited
10108	Analysis length too small for current setup
10110	Analysis time was adjusted
10122	Search result not enabled
10123	Search result no longer available

### Measurement Status

Measurement status conditions are unique to specific measurement groups.

**Table 3-16: Measurement status conditions**

Status code	Status message
<b>Pulse Measurements</b>	
11001	Avg Tx only available in power units
11005	Pulse detection error
11006	Setup error: Define > Measurement Point is too late
11007	No pulses found
11008	No FFT (not all pulses have results)
11020	No FFT (not enough pulses)
11022	Analysis time was adjusted - reached time limit
11039	No sidelobe found
<b>GP Digital Modulation</b>	
11009	No burst detected
11034	Display not valid for selected modulation type
11035	Samples per symbol > 200. Decrease Measurement BW
11036	Too many samples per symbol. Decrease Measurement BW

**Table 3-16: Measurement status conditions (cont.)**

Status code	Status message
<b>Chan Power and ACPR</b>	
11010	Measuring Noise
<b>Other</b>	
11028	CISPR: (progress message)
11037	Ext corrections enabled for traces
<b>Settling Time</b>	
11041	Signal not settled
11042	Settled duration too short
11043	First transition not found
11044	Meas Length limited by Analysis Length to xx.x xs
11045	Not enough samples: increase Meas BW or Meas Length
11046	Measurement Length exceeds limit of xxM points

## Source Status

Source status conditions can be returned with any :STATus:<measurement>EVENTs? query.

**Table 3-17: Source status conditions**

Status code	Status message
12000	Data acquired during RF ADC overrange
12005	Aligning
12006	Not aligned
12007	Unaligned data
12009	Data from uncalibrated instrument
12010	Dither: manual control
12012	Data acquired during hardware failure
12014	Data acquired during RF dig gain overflow
12015	Locking to ext freq ref signal...
12018	RF Attenuator: manual control
12019	Saving acquisition
12020	Recalling acquisition data
12022	Disabled: data is from swept acquisition
12023	Disabled: Freq Mask Trigger in use
12026	Acq Sampling params: manual control
12027	Swept: RF Trig invalid for most signals
12030	Data acquired during RF ADC overrange

**Table 3-17: Source status conditions (cont.)**

<b>Status code</b>	<b>Status message</b>
12031	Data acquired during RF dig gain overflow
12039	Decrease RefLev or increase\nAtten to prevent data errors
12040	Possible data errors - acquired with RefLev too much higher than RFAtten
12043	Ext Corr error - tables not applied
12056	Warming up
12057	Data acquired during warm-up
12063	Triggers disabled when DPX is swept
12064	Waiting for trigger. Open the DPX display.
12066	Data exceeds preamp range



---

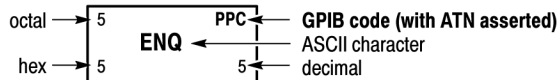
# Appendices



# Appendix A: Character Charts

B7 B6 B5 BITS B4 B3 B2 B1	0 0	0 0 1	0 1 0	0 1 1	1 0 0	1 0 1	1 1 0	1 1 1
	CONTROL		NUMBERS SYMBOLS		UPPER CASE		LOWER CASE	
0 0 0 0	0 NUL 0	20 DLE 10 16	40 SP 20 32	60 0 30 48	100 @ 40 64	120 P 50 80	140 SA0 60 96	160 SA16 70 112
0 0 0 1	1 GTL SOH 1	21 LL0 DC1 11 17	41 LA1 ! 21 33	61 LA17 1 31 49	101 TA1 A 41 65	121 TA17 Q 51 81	141 SA1 a 61 97	161 SA17 q 71 113
0 0 1 0	2 STX 2	22 DC2 12 18	42 LA2 " 22 34	62 LA18 2 32 50	102 TA2 B 42 66	122 TA18 R 52 82	142 SA2 b 62 98	162 SA18 r 72 114
0 0 1 1	3 ETX 3	23 DC3 13 19	43 LA3 # 23 35	63 LA19 3 33 51	103 TA3 C 43 67	123 TA19 S 53 83	143 SA3 c 63 99	163 SA19 s 73 115
0 1 0 0	4 SDC EOT 4	24 DCL DC4 14 20	44 LA4 \$ 24 36	64 LA20 4 34 52	104 TA4 D 44 68	124 TA20 T 54 84	144 SA4 d 64 100	164 SA20 t 74 116
0 1 0 1	5 PPC ENQ 5	25 PPU NAK 15 21	45 LA5 % 25 37	65 LA21 5 35 53	105 TA5 E 45 69	125 TA21 U 55 85	145 SA5 e 65 101	165 SA21 u 75 117
0 1 1 0	6 ACK 6	26 SYN 16 22	46 LA6 & 26 38	66 LA22 6 36 54	106 TA6 F 46 70	126 TA22 V 56 86	146 SA6 f 66 102	166 SA22 v 76 118
0 1 1 1	7 BEL 7	27 ETB 17 23	47 LA7 ' 27 39	67 LA23 7 37 55	107 TA7 G 47 71	127 TA23 W 57 87	147 SA7 g 67 103	167 SA23 w 77 119
1 0 0 0	10 GET BS 8	30 SPE CAN 18 24	50 LA8 ( 28 40	70 LA24 8 38 56	110 TA8 H 48 72	130 TA24 X 58 88	150 SA8 h 68 104	170 SA24 x 78 120
1 0 0 1	11 TCT HT 9	31 SPD EM 19 25	51 LA9 ) 29 41	71 LA25 9 39 57	111 TA9 I 49 73	131 TA25 Y 59 89	151 SA9 i 69 105	171 SA25 y 79 121
1 0 1 0	12 LF A 10	32 SUB 1A 26	52 LA10 * 2A 42	72 LA26 : 3A 58	112 TA10 J 4A 74	132 TA26 Z 5A 90	152 SA10 j 6A 106	172 SA26 z 7A 122
1 0 1 1	13 VT B 11	33 ESC 1B 27	53 LA11 + 2B 43	73 LA27 ; 3B 59	113 TA11 K 4B 75	133 TA27 [ 5B 91	153 SA11 k 6B 107	173 SA27 { 7B 123
1 1 0 0	14 FF C 12	34 FS 1C 28	54 LA12 , 2C 44	74 LA28 < 3C 60	114 TA12 L 4C 76	134 TA28 \ 5C 92	154 SA12 l 6C 108	174 SA28 ! 7C 124
1 1 0 1	15 CR D 13	35 GS 1D 29	55 LA13 - 2D 45	75 LA29 = 3D 61	115 TA13 M 4D 77	135 TA29 ] 5D 93	155 SA13 m 6D 109	175 SA29 } 7D 125
1 1 1 0	16 SO E 14	36 RS 1E 30	56 LA14 . 2E 46	76 LA30 > 3E 62	116 TA14 N 4E 78	136 TA30 ^ 5E 94	156 SA14 n 6E 110	176 SA30 ~ 7E 126
1 1 1 1	17 SI F 15	37 US 1F 31	57 LA15 / 2F 47	77 UNL ? 3F 63	117 TA15 O 4F 79	137 UNT - 5F 95	157 SA15 o 6F 111	177 RUBOUT (DEL) 7F 127
	ADDRESSED COMMANDS	UNIVERSAL COMMANDS	LISTEN ADDRESSES	TALK ADDRESSES	SECONDARY ADDRESSES OR COMMANDS			

## KEY



## Tektronix

REF: ANSI STD X3.4-1977  
IEEE STD 488.1-1987  
ISO STD 646-2973



# Appendix B: GPIB Interface Specification

This appendix lists and describes the GPIB functions and messages the instrument can implement.

## Interface Functions

The following table lists the GPIB interface functions this instrument implements. Each function is briefly described.

**Table B-1: GPIB interface function implementation**

Interface function	Implemented subset	Capability
Source Handshake (SH)	SH1	Complete
Acceptor Handshake (AH)	AH1	Complete
Talker (T)	T6	Basic Talker, Serial Poll Unaddress if my-listen-address (MLA) No Talk Only mode
Listener (L)	L4	Basic Listener Unaddress if my talk address (MTA) No Listen Only mode
Service Request (SR)	SR1	Complete
Remote/Local (RL)	RL0	None
Parallel Poll (PP)	PP0	None
Device Clear (DC)	DC1	Complete
Device Trigger (DT)	DT0	None
Controller (C)	C0	None
Electrical Interface	E2	Three-state driver

- Source Handshake (SH). Enables a talking device to support the coordination of data transfer. The SH function controls the initiation and termination of data byte transfers.
- Acceptor Handshake (AH). Enables a listening device to coordinate data reception. The AH function delays data transfer initiation or termination until the listening device is ready to receive the next data byte.
- Talker (T). Enables a device to send device-dependent data over the interface. This capability is available only when the device is addressed to talk, and uses a one-byte address.
- Listener (L). Enables a device to receive device-dependent data over the interface. This capability is available only when the device is addressed to listen, and uses a one-byte address.
- Service Request (SR). Enables a device to assert an SRQ (Service Request) line to notify the controller when it requires service.
- Remote/Local (RL). Enables a device to respond to both the GTL (Go To Local) and LLO (Local Lock Out) interface messages.
- Parallel Poll (PP). Enables a device to respond to the following interface messages: PPC, PPD, PPE, and PPU, as well as to send out a status message when the ATN (Attention) and EOI (End or Identify) lines are asserted simultaneously.
- Device Clear (DC). Enables a device to be cleared or initialized, either individually, or as part of a group of devices.
- Device Trigger (DT). Enables a device to respond to the GET (Group Execute Trigger) interface message when acting as a listener.
- Controller (C). Enables a device that has this capability to send its address, universal commands, and addressed commands to other devices over the interface.
- Electrical Interface (E). Identifies the electrical interface driver type. The notation E1 means the electrical interface uses open collector drivers, E2 means the electrical interface uses three-state drivers.

## Interface Messages

**Table B-2: Standard interface messages**

Message	Type <sup>1</sup>	Implemented
Device Clear (DCL)	UC	Yes
Local Lockout (LLO)	UC	No
Serial Poll Disable (SPD)	UC	Yes
Serial Poll Enable (SPE)	UC	Yes

**Table B-2: Standard interface messages (cont.)**

<b>Message</b>	<b>Type <sup>1</sup></b>	<b>Implemented</b>
Parallel Poll Unconfigure (PPU)	UC	No
Go To Local (GTL)	AC	Yes
Selected Device Clear (SDC)	AC	Yes
Group Execute Trigger (GET)	AC	No
Take Control (TCT)	AC	No
Parallel Poll Configure (PPC)	AC	No

<sup>1</sup> UC: Universal command; AC: Address command

- Device Clear (DCL). Will clear (initialize) all devices on the bus that have a device clear function, whether or not the controller has addressed them.
- Local Lockout (LLO). Disables the return to local function.
- Serial Poll Disable (SPD). Changes all devices on the bus from the serial poll state to the normal operating state.
- Serial Poll Enable (SPE). Puts all bus devices that have a service request function into the serial poll enabled state. In this state, each device sends the controller its status byte, instead of its normal output, after the device receives its talk address on the data lines. This function may be used to determine which device sent a service request.
- Go To Local (GTL). Causes the listen-addressed device to switch from remote to local (front-panel) control.
- Select Device Clear (SDC). Clears or initializes all listen-addressed devices.
- Group Execute Trigger (GET). Triggers all applicable devices and causes them to initiate their programmed actions.
- Take Control (TCT). Allows the controller in charge to pass control of the bus to another controller on the bus.
- Parallel Poll Configure (PPC). Causes the listen-addressed device to respond to the secondary commands Parallel Poll Enable (PPE) and Parallel Poll Disable (PPD), which are placed on the bus following the PPC command. PPE enables a device with parallel poll capability to respond on a particular data line. PPD disables the device from responding to the parallel poll.





# Appendix C: Factory Initialization Settings

The factory initialization settings provide a known state for the analyzer. The \*RST command returns the instrument settings to the factory defaults. Factory initialization sets values as shown in the following tables in this section.

**Table C-1: Factory initialization settings, IEEE common commands**

Header	Default value
*ESE	0
*OPC	0
*SRE	0

**Table C-2: Factory initialization settings, Calculate commands**

Header	Default value
<b>CALCulate basic command subgroup</b>	
CALCulate:MARKer:DENSity:EXCursion	50
CALCulate:MARKer:DENSity:SMOothing	5
CALCulate:MARKer:DENSity:THReshold	500
CALCulate:MARKer:MODE	ABSolute
CALCulate:MARKer:PEAK:EXCursion	6 dB
CALCulate:MARKer:PEAK:THReshold	-150 dBm
CALCulate:SEARch:LIMit:MATCH:BEEP[:STATe]	OFF
CALCulate:SEARch:LIMit:MATCH:SACQuire[:STATe]	OFF
CALCulate:SEARch:LIMit:MATCH:SDATa[:STATe]	OFF
CALCulate:SEARch:LIMit:MATCH:SPICture[:STATe]	OFF
CALCulate:SEARch:LIMit:MATCH:STRace[:STATe]	OFF
CALCulate:SEARch:LIMit:OPERation	GT
CALCulate:SEARch:LIMit:OPERation:FEED	"Spectrum", "Trace 1"
CALCulate:SEARch:LIMit:OPERation:SLIMit	-20 dBm
CALCulate:SEARch:LIMit:STATe	OFF
<b>CALCulate:AUDio:Spectrum subgroup</b>	
CALCulate:AUDio:HARMonic:HNUMber	12
CALCulate:AUDio:HARMonic:NHNumber	12
CALCulate:AUDio:NHARmonic:IGNore	0 Hz
CALCulate:AUDio:NHARmonic:THReshold	-60 dBc
CALCulate:AUDio:NHARmonic:EXCursion	6.0 dB
<b>CALCulate:DPX subgroup</b>	
CALCulate:DPX:MARKer<x>:TRACe	TRACE1
CALCulate:DPX:MARKer<x>:X:AMPLitude	0 dBm

**Table C-2: Factory initialization settings, Calculate commands (cont.)**

Header	Default value
CALCulate:DPX:MARKer<x>:X[:FREQuency]	1.5 GHz
<b>CALCulate:SPECTrum subgroup</b>	
CALCulate:SPECTrum:MARKer<x>:TRACe	TRACE1

**Table C-3: Factory initialization settings, Calibration commands**

Header	Default value
CALibration:AUTO	ON
CALibration:CORRection:EXTernal:EDIT<x>:LABEl	Ext Gain Table n
CALibration:CORRection:EXTernal:EDIT<x>:STATe	OFF
CALibration:CORRection:EXTernal:GAIN[:MAGNitude]	30 dB
CALibration:CORRection:EXTernal:GAIN:STATe	OFF
CALibration:CORRection:EXTernal:PROBe:STATe	OFF
INPut:CORRection:EXTernal:EDIT<x>:INTerpolation	TRACe

**Table C-4: Factory initialization settings, Display commands**

Header	Default value
<b>DISPlay basic command subgroup</b>	
DISPlay:CCDF:WINDow:TRACe:GRATICule:GRID:STATe	ON
DISPlay:WINDow:COLor:SCHEME	CLASsic
<b>DISPlay:ACPower subgroup</b>	
DISPlay:ACPower:MARKer:SHOW:STATe	ON
DISPlay:ACPower:PLEVel:SHOW:STATe	ON
DISPlay:ACPower:WINDow:TRACe:GRATICule:GRID:STATe	ON
DISPlay:ACPower:X[:SCALe]	13.84 MHz
DISPlay:ACPower:X[:SCALe]:OFFSet	1.5 GHz
DISPlay:ACPower:Y[:SCALe]	100 dB
DISPlay:ACPower:Y[:SCALe]:OFFSet	0
<b>DISPlay:{AM FM PM} subgroup</b>	
DISPlay:{AM FM PM}:MARKer:SHOW:STATe	ON
DISPlay:{AM FM PM}:WINDow:TRACe:GRATICule:GRID:STATe	ON
<b>DISPlay:AUDIO:SPECTrum subgroup</b>	
DISPlay:AUDIO:SPECTrum:MARKer:SHOW:STATe	OFF
DISPlay:AUDIO:SPECTrum:SCALE:LOG:STATe	OFF
DISPlay:AUDIO:SPECTrum:SHOW:NHARmonic:THReshold	LINE
DISPlay:AUDIO:SPECTrum:TABLE:SHOW:STATe	OFF
DISPlay:AUDIO:SPECTrum:WINDow:TRACe:GRATICule:GRID:STATe	OFF

Table C-4: Factory initialization settings, Display commands (cont.)

Header	Default value
<b>DISPlay:AVTime subgroup</b>	
DISPlay:AVTime:MARKer:SHOW:STATe	ON
DISPlay:AVTime:TRIGger:LEVel:STATe	ON
DISPlay:AVTime:WINDow:TRACe:GRATicule:GRID:STATe	ON
DISPlay:AVTime:X[:SCALe]:AUTO:STATe	ON
DISPlay:AVTime:X[:SCALe]:OFFSet	0
DISPlay:AVTime:Y[:SCALe]:FULL	100 dB
DISPlay:AVTime:Y[:SCALe]:OFFSet	0
<b>DISPlay:CONSte subgroup</b>	
DISPlay:CONSte:MPHase	P1
DISPlay:CONSte:WINDow:TRACe:GRATicule:GRID:STATe	ON
<b>DISPlay:DDEMod subgroup</b>	
DISPlay:DDEMod:RADix	BINary
DISPlay:DDEMod:X[:SCALe]	128 symbols
DISPlay:DDEMod:X[:SCALe]:AUTO:STATe	ON
DISPlay:DDEMod:X[:SCALe]:OFFSet	-1 symbol
<b>DISPlay:DIQVtime subgroup</b>	
DISPlay:DIQVtime:WINDow:TRACe:GRATicule:GRID:STATe	ON
<b>DISPlay:DPX subgroup</b>	
DISPlay:DPX:DGRam:TIME[:SCALe]:OFFSet:DIVision	0
DISPlay:DPX:DGRam:TIME[:SCALe]:PDIVision	2.5 s
DISPlay:DPX:DGRam:TSTamp:STATe	ON
DISPlay:DPX:PHASe:Y[:SCALe]:AXIS:OFFSet	0
DISPlay:DPX:PHASe:Y[:SCALe]:AXIS	MODulopi
DISPlay:DPX:Y[:SCALe]:PDIVision	10 dB/div
<b>DISPlay:EDIagram subgroup</b>	
DISPlay:EDIagram:WINDow:TRACe:GRATicule:GRID:STATe	ON
<b>DISPlay:EVM subgroup</b>	
DISPlay:EVM:Y[:SCALe]	100%
DISPlay:EVM:Y[:SCALe]:OFFSet	-100
<b>DISPlay:FDVTime subgroup</b>	
DISPlay:FDVTime:WINDow:TRACe:GRATicule:GRID:STATe	ON
<b>DISPlay:FVTime subgroup</b>	
DISPlay:FVTime:WINDow:TRACe:GRATicule:GRID:STATe	ON
DISPlay:FVTime:X[:SCALe]:AUTO:STATe	ON
DISPlay:FVTime:X[:SCALe]:OFFSet	0
DISPlay:FVTime:Y[:SCALe]	120 MHz

Table C-4: Factory initialization settings, Display commands (cont.)

Header	Default value
DISPlay:FVTime:Y[:SCALe]:OFFSet	0
<b>DISPlay:GENeral subgroup</b>	
DISPlay:GENeral:MEASview:SElect	SPECtrum
<b>DISPlay:IQVTime subgroup</b>	
DISPlay:IQVTime:WINDow:TRACe:GRATICule:GRID:STATe	ON
DISPlay:IQVTime:X[:SCALe]:AUTO:STATe	ON
DISPlay:IQVTime:X[:SCALe]:OFFSet	0
DISPlay:IQVTime:Y[:SCALe]	10 V
DISPlay:IQVTime:Y[:SCALe]:OFFSet	0
<b>DISPlay:MCPower subgroup</b>	
DISPlay:MCPower:MARKer:SHOW:STATe	ON
DISPlay:MCPower:PLEvel:SHOW:STATe	ON
DISPlay:MCPower:WINDow:TRACe:GRATICule:GRID:STATe	ON
DISPlay:MCPower:X[:SCALe]	38.84 MHz
DISPlay:MCPower:X[:SCALe]:OFFSet	1.5 GHz
DISPlay:MCPower:Y[:SCALe]	100 dB
DISPlay:MCPower:Y[:SCALe]:OFFSet	0
<b>DISPlay:MERRor subgroup</b>	
DISPlay:MERRor:Y[:SCALe]	100%
DISPlay:MERRor:Y[:SCALe]:OFFSet	-100
<b>DISPlay:OBWidth subgroup</b>	
DISPlay:OBWidth:MARKer:SHOW:STATe	ON
DISPlay:OBWidth:SElecteD:BANdwidth	OBWidth
DISPlay:OBWidth:WINDow:TRACe:GRATICule:GRID:STATe	ON
DISPlay:OBWidth:X[:SCALe]:OFFSet	0
DISPlay:OBWidth:Y[:SCALe]	100 dB
DISPlay:OBWidth:Y[:SCALe]:OFFSet	0
<b>DISPlay:OFDM subgroup</b>	
DISPlay:OFDM:CRESpone:WINDow:SElect:PLOT	ON
DISPlay:OFDM:CRESpone:WINDow:TRACe:GRATICule:GRID:STATe	MAGNitude
DISPlay:OFDM:EVM:MARKer:SHOW:STATe	ON
DISPlay:OFDM:EVM:WINDow:TRACe:GRATICule:GRID:STATe	ON
DISPlay:OFDM:MERRor:MARKer:SHOW:STATe	ON
DISPlay:OFDM:MERRor:WINDow:TRACe:GRATICule:GRID:STATe	ON
DISPlay:OFDM:PERRor:MARKer:SHOW:STATe	ON
DISPlay:OFDM:PERRor:WINDow:TRACe:GRATICule:GRID:STATe	ON
DISPlay:OFDM:POWer:MARKer:SHOW:STATe	ON

Table C-4: Factory initialization settings, Display commands (cont.)

Header	Default value
DISPlay:OFDM:POWer:WINDow:TRACe:GRATicule:GRID:STATe	ON
<b>DISPlay:PERRor subgroup</b>	
DISPlay:PERRor:Y[:SCALe]	360 (degrees)
DISPlay:PERRor:Y[:SCALe]:OFFSet	-360
<b>DISPlay:PHVTime subgroup</b>	
DISPlay:PHVTime:WINDow:TRACe:GRATicule:GRID:STATe	ON
DISPlay:PHVTime:X[:SCALe]:AUTO:STATe	ON
DISPlay:PHVTime:X[:SCALe]:OFFSet	0
DISPlay:PHVTime:Y[:SCALe]	1°
DISPlay:PHVTime:Y[:SCALe]:AXIS	MODulopi
DISPlay:PHVTime:Y[:SCALe]:AXIS:REFerence	0
DISPlay:PHVTime:Y[:SCALe]:OFFSet	0
<b>DISPlay:PNOise subgroup</b>	
DISPlay:PNOise:MARKer:SHOW:STATe	ON
DISPlay:PNOise:WINDow:TRACe:GRATicule:GRID:STATe	ON
DISPlay:PNOise:X[:SCALe]:START	10 Hz
DISPlay:PNOise:X[:SCALe]:STOP	1 GHz
DISPlay:PNOise:Y[:SCALe]	100 dB
DISPlay:PNOise:Y[:SCALe]:OFFSet	-50 dBc/Hz
DISPlay:PNOise:Y[:SCALe]:PDIVision	10 dB
<b>DISPlay:PULSe subgroup</b>	
DISPlay:PULSe:RESult:ATX	OFF
DISPlay:PULSe:RESult:AVERAge	ON
DISPlay:PULSe:RESult:DRODb	OFF
DISPlay:PULSe:RESult:DROOp	OFF
DISPlay:PULSe:RESult:DUTPct	OFF
DISPlay:PULSe:RESult:DUTRatio	OFF
DISPlay:PULSe:RESult:FALL	OFF
DISPlay:PULSe:RESult:FRDeviation	OFF
DISPlay:PULSe:RESult:IRAMplitude	OFF
DISPlay:PULSe:RESult:IRTime	OFF
DISPlay:PULSe:RESult:MFRReqerror	OFF
DISPlay:PULSe:RESult:MPHerror	OFF
DISPlay:PULSe:RESult:OVEDb	OFF
DISPlay:PULSe:RESult:OVERshoot	OFF
DISPlay:PULSe:RESult:PHDeviation	OFF
DISPlay:PULSe:RESult:PPFRequency	OFF

**Table C-4: Factory initialization settings, Display commands (cont.)**

<b>Header</b>	<b>Default value</b>
DISPlay:PULSe:RESult:PPOWer	OFF
DISPlay:PULSe:RESult:PPPHase	OFF
DISPlay:PULSe:RESult:RINTerval	OFF
DISPlay:PULSe:RESult:RIPDb	OFF
DISPlay:PULSe:RESult:RIPPLe	OFF
DISPlay:PULSe:RESult:RISE	OFF
DISPlay:PULSe:RESult:RMSFreqerror	OFF
DISPlay:PULSe:RESult:RMSPherror	OFF
DISPlay:PULSe:RESult:RRATE	OFF
DISPlay:PULSe:RESult:TIME	OFF
DISPlay:PULSe:RESult:WIDTh	OFF
DISPlay:PULSe:SElect:NUMBer	0
DISPlay:PULSe:SElect:RESult	AVERAge
DISPlay:PULSe:STATistics:MARKer:SHOW:STATe	ON
DISPlay:PULSe:STATistics:PLOT	TREND
DISPlay:PULSe:STATistics:WINDow:TRACe:GRATicule:GRID:STATe	ON
DISPlay:PULSe:STATistics:X[:SCALe]:NUMBer	1
DISPlay:PULSe:STATistics:X[:SCALe]:OFFSet	0
DISPlay:PULSe:STATistics:Y[:SCALe]:OFFSet	0
DISPlay:PULSe:STATistics:Y[:SCALe]:FULL	100 dB
DISPlay:PULSe:STATistics:Y[:SCALe]:OFFSet	0
DISPlay:PULSe:TRACe:MARKer:SHOW:STATe	ON
DISPlay:PULSe:TRACe:POINt:SHOW	ON
DISPlay:PULSe:TRACe:WINDow:TRACe:GRATicule:GRID:STATe	ON
DISPlay:PULSe:TRACe:X[:SCALe]:FULL	SElected
DISPlay:PULSe:TRACe:X[:SCALe]:OFFSet	0
DISPlay:PULSe:TRACe:X[:SCALe]:PDIVision	10 $\mu$ s
DISPlay:PULSe:TRACe:Y[:SCALe]:FULL	100 dB
DISPlay:PULSe:TRACe:Y[:SCALe]:OFFSet	0
<b>DISPlay:SEM subgroup</b>	
DISPlay:SEM:MARKer:SHOW:STATe	ON
DISPlay:SEM:SHOW:LIMit	LINE
DISPlay:SEM:WINDow:TRACe:GRATicule:GRID:STATe	ON
<b>DISPlay:SGRam subgroup</b>	
DISPlay:SGRam:TIME:OFFSet	0
DISPlay:SGRam:TIME:SCALE	0

Table C-4: Factory initialization settings, Display commands (cont.)

Header	Default value
<b>DISPlay:SPECtrum subgroup</b>	
DISPlay:SPECtrum:FREQuency:OFFSet	1.5 GHz
DISPlay:SPECtrum:FREQuency[:SCALe]	40 MHz
DISPlay:SPECtrum:MARKer:NOISe:MODE	OFF
DISPlay:SPECtrum:SCALe:LOG:STATe	OFF
DISPlay:SPECtrum:WINDow:TRACe:GRATICule:GRID:STATe	ON
DISPlay:PNOise:LEGend:STATe	OFF
DISPlay:SPECtrum:X:LABel	CFSPan
DISPlay:SPECtrum:Y[:SCALe]:PDIvision	10 dB/div
<b>DISPlay:SPURious subgroup</b>	
DISPlay:SPURious:MARKer:SHOW:STATe	ON
DISPlay:SPURious:SCALe:LOG:STATe	OFF
DISPlay:SPURious:SElect:NUMBer	1
DISPlay:SPURious:SHOW:LIMit	SHADed
DISPlay:SPURious:WINDow:TRACe:GRATICule:GRID:STATe	ON
DISPlay:SPURious:X[:SCALe]:START	1.61 GHz
DISPlay:SPURious:X[:SCALe]:STOP	2.16 GHz
DISPlay:SPECtrum:Y[:SCALe]	100 dB
DISPlay:SPECtrum:Y[:SCALe]:OFFSet	0
<b>DISPlay:TDiagram subgroup</b>	
DISPlay:TDiagram:WINDow:TRACe:GRATICule:GRID:STATe	ON
<b>DISPlay:TOVerview subgroup</b>	
DISPlay:TOVerview:WINDow:TRACe:GRATICule:GRID:STATe	ON
DISPlay:TOVerview:X[:SCALe]:OFFSet	0
DISPlay:TOVerview:Y[:SCALe]	100 dB
DISPlay:TOVerview:Y[:SCALe]:OFFSet	0

Table C-5: Factory initialization settings, Initiate commands

Header	Default value
INITiate:CONtinuous	ON

Table C-6: Factory initialization settings, Input commands

Header	Default value
INPut[:RF]:ATTenuation	20 dB
INPut[:RF]:ATTenuation:AUTO	ON
INPut[:RF]:ATTenuation:MONitor:STATe	ON

Table C-6: Factory initialization settings, Input commands (cont.)

Header	Default value
INPut[:RF]:GAIN:STATe	OFF
INPut:{MLEVel RLEVel}	0 dBm

Table C-7: Factory initialization settings, Output commands

Header	Default value
OUTPut:IF:{BANDwidth BWIDth}	(Option 05 only) FLATtop
OUTPut:IF[:STATe]	(Option 05 only) OFF
OUTPut:IQ[:STATe]	(Option 05 only) OFF
OUTPut:NOISe[:STATe]	OFF

Table C-8: Factory initialization settings, Sense commands

Header	Default value
<b>[SENSe] basic command subgroup</b>	
[SENSe]:ACQuisition:FFRame:LIMit	1
[SENSe]:ACQuisition:FFRame:STATe	OFF
[SENSe]:ACQuisition:MODE	AUTO
[SENSe]:ANALysis:ADVanced:DITHer	AUTO
[SENSe]:ANALysis:LENGth	7.44 $\mu$ s
[SENSe]:ANALysis:LENGth:AUTO	ON
[SENSe]:ANALysis:REFerence	ACQSTART
[SENSe]:ANALysis:STARt	0
[SENSe]:ANALysis:STARt:AUTO	ON
[SENSe]:MEASurement:FREQuency:CENTer:LOCK	ON
[SENSe]:POWer:UNITs	DBM
[SENSe]:ROSCillator:SOURce	INTernal
[SENSe]:SPECtrum:LENGth	7.44 $\mu$ s
[SENSe]:SPECtrum:LENGth:AUTO	ON
[SENSe]:SPECtrum:STARt	0
[SENSe]:SPECtrum:TIme:MODE	COMMOn
<b>[SENSe]:ACPower subgroup</b>	
[SENSe]:ACPower:AVERage	OFF
[SENSe]:ACPower:AVERage:COUNT	10
[SENSe]:ACPower:{BANDwidth BWIDth}[:RESolution]	30 kHz
[SENSe]:ACPower:{BANDwidth BWIDth}[:RESolution]:AUTO	ON
[SENSe]:ACPower:{BANDwidth BWIDth}:VIDeo	300 kHz
[SENSe]:ACPower:{BANDwidth BWIDth}:VIDeo:STATe	OFF



Table C-8: Factory initialization settings, Sense commands (cont.)

Header	Default value
[SENSe]:ACPower:CHANnel:{BANDwidth BWIDth}	3.84 MHz
[SENSe]:ACPower:CHANnel:FILTer	RRCosine
[SENSe]:ACPower:CHANnel:PAIRs	1
[SENSe]:ACPower:CHANnel:SPACing	5 MHz
[SENSe]:ACPower:CHIPrate	3.84 MHz
[SENSe]:ACPower:FREQuency	1.5 GHz
[SENSe]:ACPower:FREQuency:STEP	1 MHz
[SENSe]:ACPower:FREQuency:STEP:AUTO	ON
[SENSe]:ACPower:NFLoor:STATe	OFF
[SENSe]:ACPower:POINts:COUNT	DRANge
[SENSe]:ACPower:RRCRolloff	0.22
<b>[SENSe]:AM:FM:PM subgroup</b>	
[SENSe]:AM:DETECT:AMPLitude	AVERage
[SENSe]:{AM FM PM}:{MTPoints MAXTracepoints}	HUNDredk
[SENSe]:{FM PM}:BURSt:THReshold	-100 dBc
[SENSe]:{FM PM}:FREQuency:SEARch:AUTO	ON
[SENSe]:PM:PHASe:SEARch:AUTO	ON
<b>[SENSe]:AUDio subgroup</b>	
[SENSe]:AUDio:AVERage:ENABLE	OFF
[SENSe]:AUDio:BANDwidth BWIDth:RESolution:SHAPE	KAISer
[SENSe]:AUDio:FILTer:DEEMphasis:ENABLE	OFF
[SENSe]:AUDio:FILTer:HPF:ENABLE	OFF
[SENSe]:AUDio:FILTer:LPF:ENABLE	OFF
[SENSe]:AUDio:FILTer:MODE:PREDefined	OFF
[SENSe]:AUDio:FILTer:STANdard:ENABLE	OFF
[SENSe]:AUDio:HNOise:ENABLE	ON
[SENSe]:AUDio:SIGNAL:TYPE	FM
[SENSe]:AUDio:SPECTrum:POINts:COUNT	P4001
[SENSe]:AUDio:UNITs	DBHZ2
<b>[SENSe]:AVTime subgroup</b>	
[SENSe]:AVTime:{BANDwidth BWIDth}	1 MHz
[SENSe]:AVTime:MAXTracepoints	HUNDredk
[SENSe]:AVTime:METHod	SPAN
[SENSe]:AVTime:SPAN	40 MHz
<b>[SENSe]:CCDF subgroup</b>	
[SENSe]:CCDF:{BANDwidth BWIDth}	40 MHz
[SENSe]:CCDF:TIME:TYPE	SINGLE

Table C-8: Factory initialization settings, Sense commands (cont.)

Header	Default value
<b>[SENSe]:DDEMod subgroup</b>	
[SENSe]:DDEMod:ANALysis:LENGth	128 symbols
[SENSe]:DDEMod:ANALysis:LENGth:AUTO	ON
[SENSe]:DDEMod:BURSt:DETECT	OFF
[SENSe]:DDEMod:BURSt:THReshold	-20 dBc
[SENSe]:DDEMod:CARRier:OFFSet	0
[SENSe]:DDEMod:FILTer:ALPHa	0.22
[SENSe]:DDEMod:FILTer:MEASurement	RRCosine
[SENSe]:DDEMod:FILTer:REFerence	RCOSine
[SENSe]:DDEMod:FREQuency:DEViation:AUTO	ON
[SENSe]:DDEMod:MAGNitude:NORMalize	RSYMBOL
[SENSe]:DDEMod:MINdex	1
[SENSe]:DDEMod:MINdex:AUTO	ON
[SENSe]:DDEMod:MODulation:TYPE	QPSK
[SENSe]:DDEMod:SRATE	3.84 MHz
[SENSe]:DDEMod:SWAP:IQ	OFF
[SENSe]:DDEMod:SYMBOL:MAP[:STATe]	OFF
[SENSe]:DDEMod:SYMBOL:POINTS	FOUR
[SENSe]:DDEMod:SYNCh:WORD	OFF
[SENSe]:DDEMod:SYNCh:WORD:SYMBOL	#10
[SENSe]:DDEMod:TIME:UNITS	SYMBOLS
<b>[SENSe]:DPX subgroup</b>	
[SENSe]:DPX:AUDio:DEMod:GAIN	3
[SENSe]:DPX:AUDio:DEMod:RXBWidth	30 kHz
[SENSe]:DPX:AUDio:DEMod:STATe	OFF
[SENSe]:DPX:AUDio:DEMod:TUNE	SMARKer
[SENSe]:DPX:AUDio:DEMod:TYPE	FM
[SENSe]:DPX:[BANDwidth BWIDth]:ACTual?	400 kHz
[SENSe]:DPX:COLor	TEMPerature
[SENSe]:DPX:COLor:MAXimum	100%
[SENSe]:DPX:DGRam:COLor:MAXimum	0
[SENSe]:DPX:DGRam:COLor:MINimum	100 dBm
[SENSe]:DPX:DGRam:POINTS:COUNT	P801
[SENSe]:DPX:DGRam:TIME:CAPacity?	0:49:09:12
[SENSe]:DPX:DGRam:TIME:RESolution	50 ms
[SENSe]:DPX:DGRam:TIME:RESolution:AUTO	ON
[SENSe]:DPX:DGRam:WATERfall:DIRection	NE

Table C-8: Factory initialization settings, Sense commands (cont.)

Header	Default value
[SENSe]:DPX:DGRam:WATerfall:ENABle	OFF
[SENSe]:DPX:PLOT	SPECtrum
[SENSe]:DPX:POINts:COUNT	P801
[SENSe]:DPX:FREQuency:CENTer	1.5 GHz
[SENSe]:DPX:FREQuency:SPAN	40 MHz
[SENSe]:DPX:FREQuency:SPAN:{BANDwidth BWIDth}{:RESolution}:RATio	ON
[SENSe]:DPX:FREQuency:STARt	1.48 GHz
[SENSe]:DPX:FREQuency:STEP	2 MHz
[SENSe]:DPX:FREQuency:STEP:AUTO	ON
[SENSe]:DPX:FREQuency:STOP	1.52 GHz
[SENSe]:DPX:TDM:RBW	20 MHz
[SENSe]:DPX:TDM:RBW:STATe	ON
[SENSe]:DPX:TDM:SWEp:TIME	1 ms
[SENSe]:DPX:TDM:TMOtion	NORMal
<b>[SENSe]:FVTime subgroup</b>	
[SENSe]:FVTime:FREQuency:CENTer	1.5 GHz
[SENSe]:FVTime:FREQuency:SPAN	40 MHz
[SENSe]:FVTime:FREQuency:STARt	1.48 GHz
[SENSe]:FVTime:FREQuency:STEP	2 MHz
[SENSe]:FVTime:FREQuency:STEP:AUTO	ON
[SENSe]:FVTime:FREQuency:STOP	1.52 GHz
[SENSe]:FVTime:MAXTracepoints	HUNDredk
<b>[SENSe]:IQVTime subgroup</b>	
[SENSe]:IQVTime:FREQuency:CENTer	1.5 GHz
[SENSe]:IQVTime:FREQuency:SPAN	40 MHz
[SENSe]:IQVTime:FREQuency:STARt	1.48 GHz
[SENSe]:IQVTime:FREQuency:STEP	2 MHz
[SENSe]:IQVTime:FREQuency:STEP:AUTO	ON
[SENSe]:IQVTime:FREQuency:STOP	1.52 GHz
[SENSe]:IQVTime:MAXTracepoints	HUNDredk
<b>[SENSe]:MCPower subgroup</b>	
[SENSe]:MCPower:AVERage	OFF
[SENSe]:MCPower:AVERage:COUNT	10
[SENSe]:MCPower:{BANDwidth BWIDth}{:RESolution}	30 kHz
[SENSe]:MCPower:{BANDwidth BWIDth}{:RESolution}:ACTual?	ON
[SENSe]:MCPower:{BANDwidth BWIDth}{:RESolution}:AUTO	300 kHz

Table C-8: Factory initialization settings, Sense commands (cont.)

Header	Default value
[SENSe]:MCPower:{BANDwidth BWIDth}:VIDeo	OFF
[SENSe]:MCPower:{BANDwidth BWIDth}:VIDeo:STATe	3.84 MHz
[SENSe]:MCPower:CHANnel:FILTER	RRCosine
[SENSe]:MCPower:CHANnel:MAIN:{BANDwidth BWIDth}	3.84 MHz
[SENSe]:MCPower:CHANnel:MAIN:COUNT	4
[SENSe]:MCPower:CHANnel:MAIN:INACTive	NONE
[SENSe]:MCPower:CHANnel:MAIN:SPACing	5 MHz
[SENSe]:MCPower:CHIPrate	3.84 MHz
[SENSe]:MCPower:FREQuency	1.5 GHz
[SENSe]:MCPower:FREQuency:STEP	2 MHz
[SENSe]:MCPower:FREQuency:STEP:AUTO	ON
[SENSe]:MCPower:NFLoor:STATe	OFF
[SENSe]:MCPower:POINts:COUNT	DRANge
[SENSe]:MCPower:RRCRolloff	0.22
<b>[SENSe]:OBWidth subgroup</b>	
[SENSe]:OBWidth:AVERage	OFF
[SENSe]:OBWidth:AVERage:COUNT	10
[SENSe]:OBWidth:{BANDwidth BWIDth}:MEASurement	10 MHz
[SENSe]:OBWidth:{BANDwidth BWIDth}{:RESolution}	33 kHz
[SENSe]:OBWidth:{BANDwidth BWIDth}{:RESolution}:AUTO	ON
[SENSe]:OBWidth:{BANDwidth BWIDth}:VIDeo	300 kHz
[SENSe]:OBWidth:{BANDwidth BWIDth}:VIDeo:STATe	OFF
[SENSe]:OBWidth:FREQuency:CENTer	1.5 GHz
[SENSe]:OBWidth:FREQuency:STEP	2 MHz
[SENSe]:OBWidth:FREQuency:STEP:AUTO	ON
[SENSe]:OBWidth:PERCent	99%
[SENSe]:OBWidth:XDBLevel	-26 dB
<b>[SENSe]:OFDM subgroup</b>	
[SENSe]:OFDM:CHANnel:ESTimation	PREamble
[SENSe]:OFDM:CHANnel{:BANDwidth BWIDth}:STATe	ON
[SENSe]:OFDM:CONSte:DETermination	AUTO
[SENSe]:OFDM:CONSte:DETermination:MANual	QPSK
[SENSe]:OFDM:GUARd:INTerval	FOURth
[SENSe]:OFDM:PILot:TRACking:AMPLitude:STATe	OFF
[SENSe]:OFDM:PILot:TRACking:PHASe:STATe	ON
[SENSe]:OFDM:PILot:TRACking:TIMing:STATe	OFF
[SENSe]:OFDM:RADix	HEX

Table C-8: Factory initialization settings, Sense commands (cont.)

Header	Default value
[SENSe]:OFDM:SCARrier:SPACing:STATe	OFF
[SENSe]:OFDM:SCARriers	ALL
[SENSe]:OFDM:STANdard	S802_11
[SENSe]:OFDM:SWAP:IQ	OFF
[SENSe]:OFDM:SYMBols	ALL
[SENSe]:OFDM:SYMBols:MAX:STATe	OFF
[SENSe]:OFDM:UNIT:FREQuency	SCARrier
[SENSe]:OFDM:UNIT:TIME	SYMBols
<b>[SENSe]:PHVTime subgroup</b>	
[SENSe]:PHVTime:FREQuency:CENTer	1.5 GHz
[SENSe]:PHVTime:FREQuency:SPAN	40 MHz
[SENSe]:PHVTime:FREQuency:STARt	1.48 GHz
[SENSe]:PHVTime:FREQuency:STEP	2 MHz
[SENSe]:PHVTime:FREQuency:STEP:AUTO	ON
[SENSe]:PHVTime:FREQuency:STOP	1.52 GHz
[SENSe]:PHVTime:MAXTracepoints	HUNDredk
<b>[SENSe]:PNOise subgroup</b>	
[SENSe]:PNOise:AVERAge:COUNT	10
[SENSe]:PNOise:AVERAge:ENABLE	OFF
[SENSe]:PNOise:CARRier:FREQuency:TRACK	ON
[SENSe]:PNOise:CARRier:THReshold	-26 dBm
[SENSe]:PNOise:FREQuency:INTegration:OFFSet:STARt	100 Hz
[SENSe]:PNOise:FREQuency:INTegration:OFFSet:STOP	10 MHz
[SENSe]:PNOise:FREQuency:PLOT:OFFSet:STARt	10 Hz
[SENSe]:PNOise:FREQuency:PLOT:OFFSet:STOP	100 MHz
[SENSe]:PNOise:OPTimization	SPEEd
<b>[SENSe]:PULSe subgroup</b>	
[SENSe]:PULSe:ANALyze:FDOMain:MEASurement:TIME:ALENght	1e-6
[SENSe]:PULSe:ANALyze:FDOMain:MEASurement:TIME:METHOD	RELative
[SENSe]:PULSe:ANALyze:FDOMain:MEASurement:TIME:RLENght	100
[SENSe]:PULSe:ANALyze:FDOMain:MEASurement:TIME:RLEVel	100
[SENSe]:PULSe:ANALyze:FDOMain:MEASurement:TIME:STARt	0
[SENSe]:PULSe:ANALyze:IREsponse:CORRection:AMPLitude[:STATe]	ON
[SENSe]:PULSe:ANALyze:IREsponse:KOTime	0
[SENSe]:PULSe:ANALyze:IREsponse:MEASurement:TIME:ALENght	1e-6
[SENSe]:PULSe:ANALyze:IREsponse:MEASurement:TIME:METHOD	RELative

**Table C-8: Factory initialization settings, Sense commands (cont.)**

<b>Header</b>	<b>Default value</b>
[SENSe]:PULSe:ANALyze:IREsponse:MEASurement:TIME:RLENGth	100
[SENSe]:PULSe:ANALyze:IREsponse:MEASurement:TIME:RLEVel	100
[SENSe]:PULSe:ANALyze:IREsponse:MEASurement:TIME:START	0
[SENSe]:PULSe:ANALyze:LEVel	VOLTage
[SENSe]:PULSe:ANALyze:LEVel:FIFTy	VOLTage
[SENSe]:PULSe:ANALyze:LEVel:HUNDred	AVERAge
[SENSe]:PULSe:ANALyze:OVERshoot:MEASurement:TIME:ALENGth	1e-6
[SENSe]:PULSe:ANALyze:OVERshoot:MEASurement:TIME:METhod	RELative
[SENSe]:PULSe:ANALyze:OVERshoot:MEASurement:TIME:RLENGth	25
[SENSe]:PULSe:ANALyze:OVERshoot:MEASurement:TIME:RLEVel	100
[SENSe]:PULSe:ANALyze:OVERshoot:MEASurement:TIME:START	0
[SENSe]:PULSe:ANALyze:PMLocation	500 ns
[SENSe]:PULSe:ANALyze:POINt:LOCation	AVERAge
[SENSe]:PULSe:ANALyze:RFALI	WIDE
[SENSe]:PULSe:ANALyze:RIPPlE	50%
[SENSe]:PULSe:CARRier:SEARCh	AUTO
[SENSe]:PULSe:DETEct:MEASurement	OFF
[SENSe]:PULSe:DETEct:NUMBer	100
[SENSe]:PULSe:DETEct:POWER[:THReshold]	-10 dBc
[SENSe]:PULSe:DETEct:TIME[:THReshold]	1 ns
[SENSe]:PULSe:FILTer:{BANDwidth BWIDTH}	20 MHz (Standard), 60 MHz (Option 110)
[SENSe]:PULSe:FILTer:MEASurement	GAUSSian
[SENSe]:PULSe:FREFerence:AUTO	ON
[SENSe]:PULSe:FREFerence:CSLope:AUTO	ON
[SENSe]:PULSe:FREFerence:OFFSet	0
[SENSe]:PULSe:MODulation:TYPE	CWConst
[SENSe]:PULSe:STATistics:HISTogram:ORDinate	COUNT
[SENSe]:PULSe:STATistics:HISTogram:POINts:AUTO	ON
[SENSe]:REANalyze:NEXT	CWConst
<b>[SENSe]:SEM subgroup</b>	
[SENSe]:SEM:CHANnel:FILTer	NONE
[SENSe]:SEM:MFIlter	GAUS
[SENSe]:SEM:MTYPE	PEAK
[SENSe]:SEM:OFFSet:DETEction	PEAK

Table C-8: Factory initialization settings, Sense commands (cont.)

Header	Default value
[SENSe]:SEM:OFFSet<x>:BANDwidth:VIDeo:STATe	ON
[SENSe]:SEM:OFFSet<x>:LIMIT:ABSolute:SAME	<x>=1 to 3, OFF <x>=4 to 6, ON
[SENSe]:SEM:OFFSet<x>:LIMIT:MASK	REL
[SENSe]:SEM:OFFSet<x>:LIMIT:RELative:SAME	<x>=1 to 3, OFF <x>=4 to 6, ON
[SENSe]:SEM:OFFSet<x>:LIMIT:SIDE	BOTH
[SENSe]:SEM:OFFSet<x>:STATe	<x>=1 to 4, OFF <x>=5 to 6, ON
[SENSe]:SEM:REFerence:AUTO	ON
[SENSe]:SEM:REFerence:DETection	AVER
[SENSe]:SEM:WIDTh:DEFinition	C2C
<b>[SENSe]:SGRam subgroup</b>	
[SENSe]:SGRam:{BANDwidth BWIDTH}:RESolution	300 kHz
[SENSe]:SGRam:{BANDwidth BWIDTH}[:RESolution]:AUTO	ON
[SENSe]:SGRam:{BANDwidth BWIDTH}[:RESolution]:MODE	ON
[SENSe]:SGRam:{BANDwidth BWIDTH}:VIDeo	300 kHz
[SENSe]:SGRam:{BANDwidth BWIDTH}:VIDeo:STATe	OFF
[SENSe]:SGRam:COLor	TEMPerature
[SENSe]:SGRam:COLor:MAXimum	0 dBm
[SENSe]:SGRam:COLor:MINimum	-100 dBm
[SENSe]:SGRam:FFT:WINDow	KAISeR
[SENSe]:SGRam:FILTer[:SHAPE]	KAISeR
[SENSe]:SGRam:FREQuency:CENTer	1.5 GHz
[SENSe]:SGRam:FREQuency:SPAN	40 MHz
[SENSe]:SGRam:FREQuency:SPAN:BANDwidth[:RESolution]:RATio	100
[SENSe]:SGRam:FREQuency:START	1.48 GHz
[SENSe]:SGRam:FREQuency:STEP	2 MHz
[SENSe]:SGRam:FREQuency:STEP:AUTO	ON
[SENSe]:SGRam:FREQuency:STOP	1.52 GHz
<b>[SENSe]:SPECtrum subgroup</b>	
[SENSe]:SPECtrum:{BANDwidth BWIDTH}[:RESolution]	300 kHz
[SENSe]:SPECtrum:{BANDwidth BWIDTH}[:RESolution]:AUTO	ON
[SENSe]:SPECtrum:{BANDwidth BWIDTH}[:RESolution]:MODE	ON
[SENSe]:SPECtrum:{BANDwidth BWIDTH}:VIDeo	300 kHz
[SENSe]:SPECtrum:{BANDwidth BWIDTH}:VIDeo:STATe	OFF
[SENSe]:SPECtrum:FFT:WINDow	KAISeR

Table C-8: Factory initialization settings, Sense commands (cont.)

Header	Default value
[SENSe]:SPECtrum:FILTer[:SHAPe]	KAISeR
[SENSe]:SPECtrum:FREQuency:CENTer	1.5 GHz
[SENSe]:SPECtrum:FREQuency:SPAN	40 MHz
[SENSe]:SPECtrum:FREQuency:SPAN:BANDwidth[:RESolution]:RATio	100
[SENSe]:SPECtrum:FREQuency:STARt	1.48 GHz
[SENSe]:SPECtrum:FREQuency:STEP	2 MHz
[SENSe]:SPECtrum:FREQuency:STEP:AUTO	ON
[SENSe]:SPECtrum:FREQuency:STOP	1.52 GHz
[SENSe]:SPECtrum:POINts:COUNT	P801
<b>[SENSe]:SPURious subgroup</b>	
[SENSe]:SPURious:CARRier:{BANDwidth BWIDth}	4 MHz
[SENSe]:SPURious:CARRier:{BANDwidth BWIDth}:INTEgration	1 MHz
[SENSe]:SPURious:CARRier:{BANDwidth BWIDth}[:RESolution]:AUTO	ON
[SENSe]:SPURious:CARRier:DETEction	PEAK
[SENSe]:SPURious:CARRier:FREQuency	1.484 GHz
[SENSe]:SPURious:CARRier:THREshold	-10 dBm
[SENSe]:SPURious:LIST	OVERlimit
[SENSe]:SPURious:MODE	MULTi
[SENSe]:SPURious:OPTimization	AUTO
[SENSe]:SPURious:POINts:COUNT	P801
[SENSe]:SPURious:RANGe<x>:BANDwidth:VIDeo	300 kHz
[SENSe]:SPURious:RANGe<x>:BANDwidth:VIDeo:STATe	OFF
[SENSe]:SPURious:RANGe<x>:DETEction	PEAK
[SENSe]:SPURious:RANGe<x>:EXCURsion	6 dB
[SENSe]:SPURious:RANGe<x>:FILTer[:SHAPe]	RBW
[SENSe]:SPURious:RANGe<x>:FILTer[:SHAPe]:BANDwidth	200 kHz
[SENSe]:SPURious:RANGe<x>:FILTer[:SHAPe]:BANDwidth:AUTO	ON
[SENSe]:SPURious:RANGe<x>:LIMit:ABSolute:STARt	-50 dBm
[SENSe]:SPURious:RANGe<x>:LIMit:ABSolute:STOP	-50 dBm
[SENSe]:SPURious:RANGe<x>:LIMit:MASK	ABS
[SENSe]:SPURious:RANGe<x>:LIMit:RELative:STARt	-30 dB
[SENSe]:SPURious:RANGe<x>:LIMit:RELative:STOP	-30 dB
[SENSe]:SPURious:RANGe<x>:STATe	<x>=1: ON <x>=2 to 20: OFF
[SENSe]:SPURious:REFerence	NONE



Table C-8: Factory initialization settings, Sense commands (cont.)

Header	Default value
[SENSe]:SPURious:REFerence:MANual:POWer	-10 dBm
<b>[SENSe]:TOVerview subgroup</b>	
[SENSe]:TOVerview:FREQuency:CENTer	1.5 GHz
[SENSe]:TOVerview:MAXTracepoints	HUNDredk

Table C-9: Factory initialization settings, Trace commands

Header	Default value
<b>TRACe:{AM FM PM} subgroup</b>	
TRACe:{AM FM PM}	ON
TRACe<x>:AVTime:DETection	POSitive
TRACe:{AM FM PM}:FREeze	OFF
TRACe:{AM FM PM}:FUNCTion	NORMal
<b>TRACe&lt;x&gt;:AVTime subgroup</b>	
TRACe<x>:AVTime	<x>=1: ON <x>=2 to 4: OFF
TRACe:{FSETting PSETting}:AVERage:COUNT	10
TRACe<x>:AVTime:COUNT	10
TRACe<x>:AVTime:COUNT:ENABle	ON
TRACe<x>:AVTime:FREeze	OFF
TRACe<x>:AVTime:FUNCTion	NORMal
TRACe<x>:AVTime:LEFTooperand	TRACE2
TRACe<x>:AVTime:RIGHTooperand	TRACE1
<b>TRACe&lt;x&gt;:CCDF subgroup</b>	
TRACe<x>:CCDF:FREeze	OFF
TRACe<x>:CCDF:SHOW	<x>=1: ON <x>=2 and 3: OFF
TRACe<x>:CCDF:X	3 dB
<b>TRACe:CONSte subgroup</b>	
TRACe:CONSte:MODE	VECTors
<b>TRACe:DIQVtime subgroup</b>	
TRACe:DIQVtime:ENABle:I	ON
TRACe:DIQVtime:ENABle:Q	ON
<b>TRACe&lt;x&gt;:DPX subgroup</b>	
TRACe<x>:DPX	<x>=1 and 5: ON <x>=2 to 4: OFF
TRACe<x>:DPX:AVERage:COUNT	10
TRACe<x>:DPX:COLor:CURVe	25 %

Table C-9: Factory initialization settings, Trace commands (cont.)

Header		Default value
TRACe<x>:DPX:DGRAM:SElect:LINE	(<x>=6 only)	0
TRACe<x>:DPX:DOT:PERsistent	(<x>=5 only)	ON
TRACe<x>:DPX:DOT:PERsistent:TYPE	(<x>=5 only)	VARIABLE
TRACe<x>:DPX:DOT:PERsistent:VARiable	(<x>=5 only)	10
TRACe<x>:DPX:FReeze		OFF
TRACe<x>:DPX:DETection		NORMAL
TRACe<x>:DPX:LEFTooperand		TRACE1
TRACe<x>:DPX:RIGHTooperand		TRACE3
<b>TRACe:EDiagram subgroup</b>		
TRACe:EDiagram:ENABle:I		ON
TRACe:EDiagram:ENABle:Q		ON
<b>TRACe:FVTime subgroup</b>		
TRACe:FVTime:COUNt		10
TRACe:FVTime:COUNt:ENABle		ON
TRACe:FVTime:FReeze		OFF
TRACe:FVTime:FUNCTion		NORMAL
<b>TRACe:IQVTime subgroup</b>		
TRACe:IQVTime:COUNt		10
TRACe:IQVTime:DETection		ON
TRACe:IQVTime:ENABle:I		ON
TRACe:IQVTime:ENABle:Q		ON
TRACe:IQVTime:FReeze		OFF
TRACe:IQVTime:FUNCTion		NORMAL
TRACe:IQVTime:SElect:I		ON
TRACe:IQVTime:SElect:Q		OFF
<b>TRACe:OBWidth subgroup</b>		
TRACe:OBW:MAXHold		OFF
<b>TRACe:OFDM subgroup</b>		
TRACe:OFDM:CONSte		ON
TRACe:OFDM:CONSte:FReeze		OFF
TRACe<x>:OFDM:EVM		ON
TRACe<x>:OFDM:EVM:FReeze		OFF
TRACe<x>:OFDM:EVM:SElect		OFF
TRACe<x>:OFDM:MERRor		ON
TRACe<x>:OFDM:MERRor:FReeze		OFF
TRACe<x>:OFDM:MERRor:SElect		OFF
TRACe<x>:OFDM:PERRor		ON

Table C-9: Factory initialization settings, Trace commands (cont.)

Header	Default value
TRACe<x>:OFDM:PERRor:FREeze	OFF
TRACe<x>:OFDM:PERRor:SELEct	OFF
TRACe<x>:OFDM:POWer	ON
TRACe<x>:OFDM:POWer:FREeze	OFF
TRACe<x>:OFDM:POWer:SELEct	OFF
<b>TRACe:PHVTime subgroup</b>	
TRACe:PHVTime:COUNT	10
TRACe:PHVTime:COUNT:ENABLE	ON
TRACe<x>:{FSETtling PSETtling}:FREeze	OFF
TRACe:PHVTime:FUNCTion	NORMAl
<b>TRACe&lt;x&gt;:PNOise subgroup</b>	
TRACe<x>:{FSETtling PSETtling}:SHOW	<x>=1: ON <x>=2: OFF
TRACe:{FSETtling PSETtling}:AVERAge:ENABLE	5
TRACe<x>:PNOise:SMOothing:ENABLE	ON
<b>TRACe:SEM subgroup</b>	
TRACe:SEM:FUNCTion	NONE
<b>TRACe:SGRam subgroup</b>	
TRACe<x>:PHVTime:DETEction	POSitive
TRACe:SGRam:FREeze	OFF
TRACe:SGRam:FUNCTion	NONE
TRACe:SGRam:FUNCTion:TIME	0.02 minutes
TRACe:SGRam:SELEct:LINE	0
<b>TRACe&lt;x&gt;:SPECtrum subgroup</b>	
TRACe<x>:SPECtrum	<x>=1: ON <x>=2 to 4: OFF
TRACe<x>:SPECtrum:AVERAge:COUNT	10
TRACe<x>:SPECtrum:COUNT	10
TRACe<x>:SPECtrum:COUNT:ENABLE	ON
TRACe<x>:SPECtrum:DETEction	POSitive
TRACe<x>:SPECtrum:FREeze	OFF
TRACe<x>:SPECtrum:FUNCTion	NONE
TRACe<x>:SPECtrum:LEFToperand	TRACE2
TRACe<x>:SPECtrum:RIGHToperand	TRACE1
<b>TRACe:SPURious subgroup</b>	
TRACe:SPURious:COUNT	10
TRACe:SPURious:COUNT:ENABLE	ON

**Table C-9: Factory initialization settings, Trace commands (cont.)**

Header	Default value
TRACe1:TOVerview:COUNt:RESet	OFF
TRACe:SPURious:FUNcTion	NONE

**Table C-10: Factory initialization settings, Trigger commands**

Header	Default value
TRIGger:DPX:SHOW:FRAMes	OFF
TRIGger[:SEQuence]:EVENT:EXTFront:IMPedance	5 kΩ
TRIGger[:SEQuence]:EVENT:EXTFront:LEVel	1.6 V
TRIGger[:SEQuence]:EVENT:EXTFront:SLOPe	RISe
TRIGger[:SEQuence]:EVENT:GATed	HIGH
TRIGger[:SEQuence]:EVENT:INPut:FEDGe:LEVel	0 Hz
TRIGger[:SEQuence]:EVENT:INPut:FEDGe:SLOPe	RISe
TRIGger[:SEQuence]:EVENT:INPut:FEDGe:THReshold:LEVel	-40 dBm
TRIGger[:SEQuence]:EVENT:INPut:FEDGe:THReshold:STATe	ON
TRIGger[:SEQuence]:EVENT:INPut:FMASk:BANDwidth BWIDth[:RESolution]:ACTual?	FT
TRIGger[:SEQuence]:EVENT:INPut:DDENsity:AMPLitude:TOLerance	-20 dBm
TRIGger[:SEQuence]:EVENT:INPut:RUNT:PULse:HIGh:LEVel	-10 dBm
TRIGger[:SEQuence]:EVENT:INPut:TDBWidth	1 MHz
TRIGger[:SEQuence]:EVENT:INPut:TDBWidth:STATe	ON
TRIGger[:SEQuence]:EVENT:INPut:TYPE	POWer
TRIGger[:SEQuence]:EVENT:SOURce	INPut
TRIGger[:SEQuence]:FORCed	OFF
TRIGger[:SEQuence]:TIME:QUALified:TIME<x>	OFF
TRIGger[:SEQuence]:ADVanced:HOLDoff:ENABLE	0 s
TRIGger[:SEQuence]:TIME:POSition	25%

**Table C-11: Factory initialization settings, UNIT commands**

Header	Default value
UNIT:POWer	dBm

# Appendix D: SCPI Conformance Information

All commands for the RSA6100A Series analyzers are based on SCPI Version 1999.0. The following table lists the commands that are defined in the SCPI 1999.0 Standard. The other commands not listed in the table are not defined in the SCPI 1999.0 Standard.

**Table D-1: SCPI 1999.0-defined commands**

Command group	Command			
IEEE common	*CAL			
	*CLS			
	*ESE			
	*ESR			
	*IDN			
	*OPC			
	*OPT			
	*RST			
	*SRE			
	*STB			
	*TRG			
*WAI				
ABORT	:ABORT			
INITiate	:INITiate	:CONTinuous		
		[:IMMediate]		
STATus	:STATus	:OPERation	:CONDition?	
			:ENABle	
		[:EVENT]?		
		:NTRansition		
		:PTRansition		
		:PRESet		
		:QUESTionable	:CONDition?	
			:ENABle	
			[:EVENT]?	
			:NTRansition	
:PTRansition				

**Table D-1: SCPI 1999.0-defined commands (cont.)**

<b>Command group</b>	<b>Command</b>	
<b>SYSTEM</b>	:SYSTEM :COMMunicate :GPIB [:SELF] :ADDRESS	
	:DATE	
	:ERRor :ALL?	
	:CODE :ALL?	
	:NEXT?	
	:COUNT?	
	:NEXT?	
	:PRESet	
	:TIME	
	:VERSion?	
	<b>UNIT</b>	:UNIT :POWER

---

## Appendix E: Creating a DPX Frame Access Plugin

A DPX Frame Access plugin gives access to DPX frames (bitmap and traces) from within the RSA process. The frame is accessed directly from its storage in memory, and so this method provides faster access to this data than from the ASCII (GPIB) interface.

A DPX Frame Access plugin consists of a managed assembly (dll) that contains a class that implements the IDPXFrameAccess interface. See below:

```
/// <summary>
/// If an external assembly is found that contains a type
/// that implements this interface, then it will be given
/// access to DPX frame data synchronous with data
/// coming from the hardware.
/// </summary>
public interface IDPXFrameAccess : IDisposable
{
    /// <summary>
    /// A frame is available. It will get called for
    /// every stitch.
    /// </summary>
    /// <param name="frame">valid only during the duration
    /// of the function call </param>
    void FrameAvailable(IDPXFrame frame);
}
```

The object that is passed into the FrameAvailable function is accessed via its IDPXFrame interface. See below:

```
/// <summary>
/// A DPX frame
///
/// </summary>
public interface IDPXFrame
{
    /// <summary>
    /// Start frequency for traces and bitmap, Hz
    /// </summary>
    double StartFrequency { get; }
    /// <summary>
    /// Stop frequency for traces and bitmap, Hz
    /// </summary>
    double StopFrequency { get; }
    /// <summary>
    /// Top value of graph - current units
    /// </summary>
    double TopOfGraph { get; }
    /// <summary>
```

```
/// Bottom value of graph - current units
/// </summary>
double BottomOfGraph { get; }
/// <summary>
/// What type of frame?
/// </summary>
DPXFrameType FrameType { get; }
/// <summary>
/// This is true if the frame is completed.
/// It will be false if swept, and not all
/// of the intermediate stitches have been
/// completed. It will be true when all stitches
/// have been completed, or if real-time.
/// </summary>
bool FrameComplete { get; }

/// <summary>
/// Get dimensions for bitmap
/// </summary>
/// <param name="rowCount"></param>
/// <param name="columnCount"></param>
void GetDimensions(out int rowCount, out int
columnCount);

/// <summary>
/// Get reference to array holding non-option 200
/// bitmap. Do not change the values in this array
/// </summary>
/// <param name="x"></param>
void GetReferenceToBitmap(out ushort[] x);

/// <summary>
/// Get reference to array holding option 200 bitmap.
/// Do not change the values in this array
/// </summary>
/// <param name="x"></param>
void GetReferenceToBitmap(out float[] x);

/// <summary>
/// Get copy of Trace1. This will be the Max trace
/// if non-option 200. Units are dBm.
/// </summary>
/// <param name="yValues">function will allocate
/// the array, as necessary</param>
void GetTrace1(ref float[] yValues);

/// <summary>
/// Get copy of Trace2. This will be the Min trace
/// if non-option 200. Units are dBm.
/// </summary>
```



```

    /// <param name="yvalues">function will allocate
    /// the array, as necessary</param>
    void GetTrace2(ref float[] yvalues);

    /// <summary>
    /// Get copy of Trace3. This will be the Avg trace
    /// if non-option 200. Units are dBm.
    /// </summary>
    /// <param name="yvalues">function will allocate
    /// the array, as necessary</param>
    void GetTrace3(ref float[] yvalues);
}

public enum DPXFrameType
{
    /// <summary>
    /// without option 200
    /// </summary>
    Standard,
    /// <summary>
    /// with option 200
    /// </summary>
    Enhanced,
}

```

When the DPX measurement is running within the RSA application, the `IDPXFrameAccess.FrameAvailable` function is called once for every frame that becomes available from the DPX processing hardware. When the DPX measurement is operating in Real Time mode, `FrameAvailable` will be called for every Real Time frame. When the DPX measurement is operating in Swept mode, the total frequency span is covered by stitching together multiple real time spans at increasing center frequencies. In this case, `FrameAvailable` will be called for every stitch, with `IDPXFrame.FrameComplete` set to true on the last stitch.

The `DPXFrameAccess` assembly should not use the reference to the `IDPXFrame` object outside of the `FrameAvailable` function. It is only valid within the context of the `FrameAvailable` function call.

The creator of a `DPXFrameAccess` plugin should refer to the information in this programmer manual about the format of bitmap and trace data returned in the `IDPXFrame` object. Specifically, the `FETCh:DPX:TRACe:xxx?` queries are applicable. Traces that are not enabled are not computed and will not be available in the `IDPXFrame`.

Cautions about processing time within `FrameAvailable` function – in Real Time mode, DPX frames become available at a constant rate. As more time is taken in the `FrameAvailable` function, less CPU time is available for processing RF acquisitions (all the other measurements). If too much time is taken in the `FrameAvailable` function, frames may be missed and the update rate of other

measurements may significantly slow down as they operate at lower priority than the DPX measurement.

To create a DPX Frame Access plugin, start with the example file attached to the PDF version of this manual. It has a class that implements IDPXFrameAccess and gives examples of accessing the various properties and methods of IDPXFrame.



---

**NOTE.** *An example text file, DPXFrameAccessExample.cs, is attached to this PDF file. To access the attached file, open the PDF file and click on the paperclip icon on the lower-left side of the document viewer.*

---

Note that the build of this assembly will need to reference the MeasurementsShared.dll assembly in the C:\Program Files\Tektronix\XXXX\RSA\Client directory, where XXXX is either RSA6100A, RSA5100A, or SignalVu, depending on the product..

Copy the DPX Frame Access assembly you have created to the C:\Program Files\Tektronix\XXXX\RSA\Plugins\DPX directory (you will need to create the directory). When the DPX measurement is started, it will discover the assembly and the FrameAvailable function will be called.

# Appendix F: RSA3000 Series to RSA6100A/RSA5100A Command Reference

This appendix provides command reference information about RSA3000 series commands that are compatible with the RSA6100A or RSA5100A series products.

**NOTE.** *Unless specifically mentioned, all references to the RSA6100A series instruments apply equally to the RSA5100A series instruments.*

## IEEE Common Commands

Table F-1: IEEE common commands

RSA3000 commands	RSA6100A/RSA5100A commands	Description
*CAL?	*CAL(?)	Instructs the instrument to perform an internal self-alignment and return its status.
*CLS	*CLS	Clears the instrument status data structures.
*ESE(?)	*ESE(?)	Sets or queries the bits in the Event Status Enable Register (ESER). The ESER prevents events from being reported to the Status Byte Register (STB).
*ESR?	*ESR?	Returns the contents of the Standard Event Status Register (SESR). *ESR? also clears the SESR (since reading the SESR clears it)
*IDN?	*IDN?	Returns the instrument identification code.
*OPC(?)	*OPC(?)	Generates the operation complete message in the Standard Event Status Register (SESR) when all pending operations finish.
*OPT?	*OPT?	Returns a list of options installed in your instrument.
*RST	*RST	Returns the instrument settings to the factory defaults. Only resets the currently selected mode on the RSA3000 series. Resets all on the RSA6100A series.
*SRE(?)	*SRE(?)	Sets or queries the value of the Service Request Enable Register (SRER).
*STB?	*STB?	Returns the contents of the Status Byte Register (SBR) in the status/event reporting structure using the Master Summary Status (MSS) bit.
*TRG	*TRG	Generates a trigger. It produces the same effect as the Force Trigger button on the Trigger control panel. *TRG Only initiates an acquisition on the RSA3000 series, but actually forces a trigger on the RSA6100 series. The RSA6100A series equivalent is :INITiate:[IMMEDIATE]

Table F-1: IEEE common commands (cont.)

RSA3000 commands	RSA6100A/RSA5100A commands	Description
*TST?	No equivalent command	
*WAI	*WAI	Prevents the instrument from executing further commands or queries until all pending operations finish

## Abort Command Group

Table F-2: Abort command group

RSA3000 commands	RSA6100A/RSA5100A commands	Description
ABORt	ABORt	Resets the trigger system and related actions such as data acquisition and measurement. After Restting, the RSA6100A instrument stops data acquisition. To start the data acquisition use INITiate[:IMMEDIATE].

## Calculate Command Group

Use the Calculate commands to control the markers and the search operations. In the RSA3000 series the calculate commands are used to control the marker and display line. In the RSA6100A series there is no concept of display line.

All the Calculate commands in the RSA3000 series are applied using view numbers. Each of the view numbers can represent any measurement that the user has chosen. The number of views and format can be configured through :DISPlay[:VIEW]:FORMat command.

For the RSA6100A series, instead of view numbers, specify the measurement name directly. In the list of compatible commands of the RSA6100A series, instead of specifying the measurement names, it is indicated by “<measurement>.” The <measurement> can be replaced with the following items: ACPower, AM, FM, PM, AVTime, CONStE, DIQVtime, DPX, EDIagram, EVM, FDVTime, FVTime, IQVTime, MCPower, MERRor, OBWidth, PERRor, PHVTime, PULSe:STATistics, PULSe:TRACe, SGRam, SPECtrum, SPURious, TDIagram, TOVerview

Table F-3: Calculate command group

RSA3000 commands	RSA6100A/RSA5100A commands	Description
CALCulate<x>:DLINe<y>(?)	No equivalent command	
CALCulate<x>:DLINe<y>:STATe(?)	No equivalent command	

Table F-3: Calculate command group (cont.)

RSA3000 commands	RSA6100A/RSA5100A commands	Description
CALCulate<x>:MARKer:AOff	CALCulate<x>:MARKer:AOff	Turns off all markers.  In the RSA3000 series you can specify to clear the marker for the selected view. In the RSA6100A series, all the markers from all the measurements turn off.
CALCulate<x>:MARKer<y>:MAXimum	CALCulate:<measurement>:MARKer<x>:MAXimum	Moves the marker to the highest peak on the trace.
CALCulate<x>:MARKer<x>:MODE(?)	CALCulate:MARKer:MODE	Sets or queries the marker mode. Arguments in the RSA3000 series -> POSition   DELTa Arguments in the RSA6100A series-> ABSolute   DELTa
CALCulate<x>:MARKer<y>:PEAK:HIGHer	CALCulate:<measurement>:MARKer<x>:PEAK:HIGHer	Moves the selected marker to the next peak higher in amplitude if the Y axis.
CALCulate<x>:MARKer<y>:PEAK:LEFT	CALCulate:<measurement>:MARKer<x>:PEAK:LEFT	Shifts the marker to the next peak on the left in the Y axis.
CALCulate<x>:MARKer<y>:PEAK:LOWer	CALCulate:<measurement>:MARKer<x>:PEAK:LOWer	Moves the marker lower in amplitude to the next peak.
CALCulate<x>:MARKer<y>:PEAK:RIGHt	CALCulate:<measurement>:MARKer<x>:PEAK:RIGHt	Shifts the marker to the next peak on the right
CALCulate<x>:MARKer<y>:PTHReshold(?)	No equivalent command	
CALCulate<x>:MARKer<y>:ROFF	No equivalent command	
CALCulate<x>:MARKer<y>[:SET]:CARRier	No equivalent command	
CALCulate<x>:MARKer<y>[:SET]:CENTer	CALCulate<measurement>:MARKer<x>[:SET]:CENTer	Sets the center frequency to the value at the marker position.  The <measurement> refers to the measurements which comes under General Signal Viewing.
CALCulate<x>:MARKer<y>[:SET]:MEASurement	No equivalent command	
CALCulate<x>:MARKer<y>[:SET]:PHASe	No equivalent command	
CALCulate<x>:MARKer<y>[:SET]:RCURsor	No equivalent command	
CALCulate<x>:MARKer<y>[:STATE]	No equivalent command	
CALCulate<x>:MARKer<y>:T(?)	CALCulate:TOVerview:MARKer<x>:X CALCulate:SGRam:MARKer<x>:X[:TIME]	Sets or queries the time position of the marker.
CALCulate<x>:MARKer<y>:TOGGle	No equivalent command	

Table F-3: Calculate command group (cont.)

RSA3000 commands	RSA6100A/RSA5100A commands	Description
CALCulate<x>:MARKer<y>: TRACe(?)	No equivalent command	
CALCulate<x>:MARKer<y>:X(?)	CALCulate:<measurement>: MARKer<x>:X	Sets or queries the horizontal position of the marker.
CALCulate<x>:MARKer<y>:Y(?)	CALCulate:<measurement>: MARKer<x>:Y	Sets or queries the vertical position of the marker
CALCulate<x>:VLINe<y>(?)	No equivalent command	
CALCulate<x>:VLINe<y>: STATe(?)	No equivalent command	

## Calibrate Commands

Table F-4: Calibrate commands

RSA3000 commands	RSA6100A/RSA5100A commands	Description
CALibration[:ALL](?)	*CAL	Runs all the calibration routines. In the RSA6100A series, if the *CAL command is sent, all the alignments are run.
CALibration:AUTO(?)	CALibration:AUTO	Determines whether to run the calibration automatically.
CALibration:DATA:DEFAult	No equivalent command	
CALibration:FLATness:IF(?)	*CAL	Runs the IF Flatness calibration.
CALibration:IQ:CORRection: MAGNitude?	No equivalent command	
CALibration:IQ:CORRection: PHASe?	No equivalent command	
CALibration:IQ:HEADer?	No equivalent command	
CALibration:IQ:VFRame: BNUmber(?)	No equivalent command	
CALibration:IQ:VFRame[: TYPE](?)	No equivalent command	
CALibration:OFFSet: BASebanddc(?)	No equivalent command	
CALibration:OFFSet:CENTer(?)	No equivalent command	
CALibration:OFFSet:IQINput(?) (Option 03 only)	No equivalent command	
CALibration:RF(?)	No equivalent command	

## Configure Commands

Table F-5: Configure commands

RSA3000 commands	RSA6100A/RSA5100A commands	Description
CONFigure:ADEMod:AM	SYSTem:PRESet DISPlay:GENeral:MEASview:NEW TOverview DISPlay:ADEMod:MEASview: NEW AM DISPlay:ADEMod:MEASview: SElect AM	Sets the instrument to the default settings for AM signal analysis.  The initial Preset command is required in the RSA6100A series so that all the values go to the default setting and Spectrum view displays; then the other windows are added.
CONFigure:ADEMod:FM	SYSTem:PRESet DISPlay:GENeral:MEASview:NEW TOverview DISPlay:ADEMod:MEASview: NEW FM DISPlay:ADEMod:MEASview: SElect FM	Sets the instrument to the default settings for FM signal analysis.
CONFigure:ADEMod:PM	SYSTem:PRESet DISPlay:GENeral:MEASview:NEW TOverview DISPlay:ADEMod:MEASview: NEW PM DISPlay:ADEMod:MEASview: SElect PM	Sets the instrument to the default settings for PM signal analysis.
CONFigure:ADEMod:PSPpectrum	SYSTem:PRESet	Sets the instrument to the default settings for the pulse spectrum measurement.  The Pulse spectrum of the RSA3000 series is same as Spectrum of the RSA6100A series. The System:PREset command of the RSA6100A series automatically closes all the measuremnt windows and brings up the Spectrum window.
CONFigure:CCDF	System:PRESet DISPlay:GENeral:MEASview: DElete SPECTrum DISPlay:GPRF:MEASview:NEW CCDF DISPlay:GPRF:MEASview:SElect CCDF	Sets the instrument to the default settings for CCDF measurement.

**Table F-5: Configure commands (cont.)**

<b>RSA3000 commands</b>	<b>RSA6100A/RSA5100A commands</b>	<b>Description</b>
CONFigure:DPX	System:PRESet DISPlay:GENeral:MEASview: DELEte SPECTrum DISPlay:GPRF:MEASview:NEW DPX DISPlay:GPRF:MEASview:SElect DPX	Sets the instrument to the default settings for DPX spectrum measurement.
CONFigure:OVleW	DISPlay:WINDow:ACTive: MEASurement? (Then delete all measurements that were returned.) DISPlay:GENeral:MEASview:NEW SPECTrum DISPlay:GENeral:MEASview:NEW TOVerview	In the RSA3000 series, overview for Demod and Time mode means having just the Time overview and Spectrum measurement windows.
CONFigure:PULSe	System:PRESet DISPlay:GENeral:MEASview: DELEte SPECTrum DISPlay:GENeral:MEASview:NEW TOVerview DISPlay:PULSe:MEASview:NEW RESult DISPlay:PULSe:MEASview:NEW TRACe DISPlay:PULSe:MEASview:NEW STATistics DISPlay:PULSe:MEASview: SElect RESult	Sets the instrument to the default settings for the pulse measurements.  In the RSA3000 series, there are only two measurement windows related to pulse. The RSA6100A series has an extra window to show statistics of all pulses. In the RSA3000 series, you have to choose if you want to see result of one window or all windows.
CONFigure:SPECTrum	System:PRESet	Sets the instrument to the default settings for spectrum measurement.
CONFigure:SPECTrum:ACPower	System:PRESet DISPlay:GENeral:MEASview: DELEte SPECTrum DISPlay:GPRF:MEASview:NEW ACPower DISPlay:GPRF:MEASview:SElect ACPower	Sets the instrument to the default settings for the adjacent channel leakage power ratio (ACPR) measurement.
CONFigure:SPECTrum: CFRequency	No equivalent command	



Table F-5: Configure commands (cont.)

<b>RSA3000 commands</b>	<b>RSA6100A/RSA5100A commands</b>	<b>Description</b>
CONFigure:SPECtrum:CHPower	System:PRESet DISPlay:GENeral:MEASview: DELeTe SPECtrum DISPlay:GPRF:MEASview:NEW ACPower DISPlay:GPRF:MEASview:SElect ACPower	Sets the instrument to the default settings for channel power measurement.
CONFigure:SPECtrum:CNRatio	No equivalent command	
CONFigure:SPECtrum:EBWidth	No equivalent command	
CONFigure:SPECtrum:OBWidth	System:PRESet DISPlay:GENeral:MEASview: DELeTe SPECtrum DISPlay:GPRF:MEASview:NEW OBW DISPlay:GPRF:MEASview:SElect OBW	Sets the instrument to the default settings for occupied bandwidth (OBW) measurement.
CONFigure:SPECtrum:SEMask	No equivalent command	
CONFigure:SPECtrum:SPURious	System:PRESet DISPlay:GENeral:MEASview: DELeTe SPECtrum DISPlay:GPRF:MEASview:NEW SPURious DISPlay:GPRF:MEASview:SElect SPURious	Sets the instrument to the default settings for spurious emission measurement.
CONFigure:TFRequency:RTIME	System:PRESet DISPlay:GENeral:MEASview:NEW SGRam DISPlay:GENeral:MEASview: SElect SGRam	Sets the instrument to the default settings for the spectrum measurement.
CONFigure:TFRequency:SGRam	System:PRESet DISPlay:GENeral:MEASview:NEW SGRam DISPlay:GENeral:MEASview: SElect SGRam	Sets the instrument to the default settings for the spectrogram measurement.
CONFigure:TRANSient:FVTime	System:PRESet DISPlay:GENeral:MEASview:NEW TOVerview DISPlay:GENeral:MEASview:NEW FVTime DISPlay:GENeral:MEASview: SElect FVTime	Sets the instrument to the default settings for frequency vs. time measurement.

Table F-5: Configure commands (cont.)

<b>RSA3000 commands</b>	<b>RSA6100A/RSA5100A commands</b>	<b>Description</b>
CONFigure:TRANsient:IQVTime	System:PRESet DISPlay:GENeral:MEASview:NEW TOVerview DISPlay:GENeral:MEASview:NEW IQVTime DISPlay:GENeral:MEASview: SELEct IQVTime	Sets the instrument to the default settings for IQ level vs. time measurement.
CONFigure:TRANsient:PVTime	System:PRESet DISPlay:GENeral:MEASview:NEW TOVerview DISPlay:GENeral:MEASview:NEW AVTime DISPlay:GENeral:MEASview: SELEct AVTime	Sets the instrument to the default settings for power vs. time measurement.
CONFigure:AUDio	No equivalent command	
CONFigure:DDEMod	System:PRESet DISPlay:GENeral:MEASview:NEW TOVerview DISPlay:GENeral:MEASview:NEW IQVTime DISPlay:GENeral:MEASview: SELEct IQVTime	Sets up the instrument for the digital modulation measurements by choosing I/Q vs Time.
CONFigure:RFID	No equivalent command	
CONFigure:SSource	No equivalent command	
CONFigure:GSMedge: MACCuracy	No equivalent command	
CONFigure:GSMedge:MCPower	No equivalent command	
CONFigure:GSMedge:MODulation	No equivalent command	
CONFigure:GSMedge:PVTime	No equivalent command	
CONFigure:GSMedge:SPURious	No equivalent command	
CONFigure:GSMedge:SWITching	No equivalent command	
CONFigure:Standard:ACPower	No equivalent command	
CONFigure:Standard:CCDF	No equivalent command	
CONFigure:Standard:CDPower	No equivalent command	
CONFigure:Standard:CHPower	No equivalent command	
CONFigure:Standard:IM	No equivalent command	
CONFigure:Standard:MACCuracy	No equivalent command	
CONFigure:Standard:OBWidth	No equivalent command	
CONFigure:Standard:PCCHannel	No equivalent command	

Table F-5: Configure commands (cont.)

<b>RSA3000 commands</b>	<b>RSA6100A/RSA5100A commands</b>	<b>Description</b>
CONFigure:RLCDMA2K:PVTime	No equivalent command	
CONFigure:Standard:SEMAsk	No equivalent command	
CONFigure:Standard:ACPower	No equivalent command	
CONFigure:Standard:CCDF	No equivalent command	
CONFigure:Standard:CDPower	No equivalent command	
CONFigure:Standard:CHPower	No equivalent command	
CONFigure:Standard:IM	No equivalent command	
CONFigure:Standard:MACCuracy	No equivalent command	
CONFigure:Standard:OBWidth	No equivalent command	
CONFigure:Standard:PCCHannel	No equivalent command	
CONFigure:FL1XEVD0:PVTime	No equivalent command	
CONFigure:Standard:SEMAsk	No equivalent command	
CONFigure:TD_SCDMA:ACLR	No equivalent command	
CONFigure:TD_SCDMA:CDPower	No equivalent command	
CONFigure:TD_SCDMA:CHPower	No equivalent command	
CONFigure:TD_SCDMA:IM	No equivalent command	
CONFigure:TD_SCDMA: MACCuracy	No equivalent command	
CONFigure:TD_SCDMA:OBWidth	No equivalent command	
CONFigure:TD_SCDMA:SEMAsk	No equivalent command	
CONFigure:TD_SCDMA: SFSummary	No equivalent command	
CONFigure:TD_SCDMA:STABLE	No equivalent command	
CONFigure:TD_SCDMA: TOOMask	No equivalent command	
CONFigure:TD_SCDMA: TSSummary	No equivalent command	
CONFigure:M2WLAN	No equivalent command	
CONFigure:SWLAN	No equivalent command	
CONFigure:SWLAN:SMASK	No equivalent command	
CONFigure:WLAN	No equivalent command	
CONFigure:WLAN:SMASK	No equivalent command	
CONFigure:WLAN:TPOWer	No equivalent command	
CONFigure:AC3Gpp	No equivalent command	
CONFigure:DLR5_3GPP	No equivalent command	
CONFigure:Standard:ACLR	No equivalent command	

Table F-5: Configure commands (cont.)

<b>RSA3000 commands</b>	<b>RSA6100A/RSA5100A commands</b>	<b>Description</b>
CONFigure:Standard:CFRequency	No equivalent command	
CONFigure:Standard:CHPower	No equivalent command	
CONFigure:Standard:EBWidth	No equivalent command	
CONFigure:SADLR5_3GPP:MCAClr	No equivalent command	
CONFigure:Standard:OBWidth	No equivalent command	
CONFigure:Standard:SEMask	No equivalent command	
CONFigure:UL3Gpp	No equivalent command	
CONFigure:ULR5_3GPP	No equivalent command	
CONFigure:DLR6_3GPP	No equivalent command	
:CONFigure:ULR6_3GPP	No equivalent command	

## Data Command Group

Table F-6: Data command group

<b>RSA3000 commands</b>	<b>RSA6100A/RSA5100A commands</b>	<b>Description</b>
DATA:STATe?	No equivalent command	

## Display Command Group

The following tables list the Display Command groups broken down by subgroups.

Table F-7: DISPlay:CCDF subgroup

<b>RSA3000 commands</b>	<b>RSA6100A/RSA5100A commands</b>	<b>Description</b>
DISPlay:CCDF:LINE:GAUSSian[:STATe](?)	TRACe3:CCDF:SHOW(?)	Determines whether to show the Gaussian line in the CCDF view.
DISPlay:CCDF:LINE:REFerence[:STATe](?)	TRACe2:CCDF:SHOW(?)	Selects whether to show the reference line in the CCDF view.
DISPlay:CCDF:LINE:REFerence:STORe	TRACe2:CCDF:FREeze	Stores the current CCDF trace as a new reference line
DISPlay:CCDF:X[:SCALE]:AUTO(?)	No equivalent command	
DISPlay:CCDF:X[:SCALE]:MAXimum(?)	No equivalent command	

Table F-7: DISPLAY:CCDF subgroup (cont.)

RSA3000 commands	RSA6100A/RSA5100A commands	Description
DISPlay:CCDF:X[:SCALe]:OFFSet(?)	No equivalent command	
DISPlay:CCDF:Y[:SCALe]:FIT	No equivalent command	
DISPlay:CCDF:Y[:SCALe]:FULL	No equivalent command	
DISPlay:CCDF:Y[:SCALe]:MAXimum(?)	No equivalent command	
DISPlay:CCDF:Y[:SCALe]:MINimum(?)	No equivalent command	

Table F-8: DISPLAY:DPX subgroup

RSA3000 commands	RSA6100A/RSA5100A commands	Description
DISPlay:DPX:COLor(?)	[SENSe]:DPX:COLor(?)	Selects or queries the color scheme used for the Bitmap trace.
DISPlay:DPX:COLor:MAXimum(?)	[SENSe]:DPX:COLor:MAXimum(?)	Sets or queries the maximum value of the color axis.
DISPlay:DPX:COLor:MINimum(?)	[SENSe]:DPX:COLor:MINimum(?)	Sets or queries the minimum value of the color axis.
DISPlay:DPX:GRATICule:GRID(?)	DISPlay:DPX:WINDow:TRACe:GRATICule:GRID:STATe(?)	Determines whether to show or hide the graticule grid on the screen.  In the RSA3000 series, you have the option to set the Graticule in OFF, FIX, or Flex mode. In the RSA6100A series, you can set the Graticule to either OFF or ON mode only.
DISPlay:DPX:Y[:SCALe]:FULL	No equivalent command	
DISPlay:DPX:Y[:SCALe]:OFFSet(?)	No equivalent command	
DISPlay:DPX:Y[:SCALe]:PDIVision(?)	DISPlay:DPX:Y[:SCALe]:PDIVision(?)	Sets or queries the vertical scale (amplitude per division) in the DPX spectrum view.

Table F-9: DISPLAY:OVlew subgroup

RSA3000 commands	RSA6100A/RSA5100A commands	Description
DISPlay:OVlew:FORMat(?)	If the RSA3000 Format argument is WAVEform, the RSA6100A command is DISPlay:GENeral:MEASview:NEW AVTime  If the RSA3000 Format argument is SGRam or Zoom, the RSA6100A command is DISPlay:GENeral:MEASview:NEW SGRam	Selects or queries the overview display format.  In RSA3000 series the OVlew command has options to show: <ul style="list-style-type: none"> <li>■ WAVEform - displays the amplitude vs. time view.</li> <li>■ SGRam - displays the spectrogram.</li> <li>■ ZOOM - displays the spectrogram with zoom function.</li> </ul>

Table F-9: DISPlay:OVlew subgroup (cont.)

RSA3000 commands	RSA6100A/RSA5100A commands	Description
DISPlay:OVlew:OTINdicator(?)	No equivalent command	
DISPlay:OVlew:SGRam:COLor[:SCALe]:OFFSet(?)	[SENSe]:SGRam:COLor:MINimum	Sets or queries the minimum value of the color axis for spectrogram. The range in the RSA3000 series is -200 to +100 dBm. The range in the RSA6100A series is -100 to +100 dBm
DISPlay:OVlew:SGRam:COLor[:SCALe]:RANGe(?)	[SENSe]:SGRam:COLor:MINimum [SENSe]:SGRam:COLor:MAXimum	Sets or queries full-scale value of the color or amplitude axis when the overview displays a spectrogram. By setting the Minimum and Maximum, the full range can be set.
DISPlay:OVlew:SGRam:X[:SCALe]:OFFSet(?)	DISPlay:SGRam:FREQuency:OFFSet(?)	Sets or queries the minimum horizontal or frequency value of Spectrogram.
DISPlay:OVlew:SGRam:X[:SCALe]:SPAN(?)	DISPlay:SGRam:FREQuency:SCALe(?)	Sets or queries the horizontal or frequency range.
DISPlay:OVlew:SGRam:Y[:SCALe]:OFFSet(?)	DISPlay:SGRam:TIME:OFFSet(?)	Sets or queries the vertical axis (time) offset (bottom line number) in the spectrogram. The range is different between the RSA3000 series and the RSA6100A series.
DISPlay:OVlew:SGRam:Y[:SCALe]:PLINe(?)	DISPlay:SGRam:TIME:SCALe(?)	Sets or queries the vertical scale (the amount of time in each line) in the spectrogram. The range is different between the RSA3000 series and the RSA6100A series.
DISPlay:OVlew:WAVeform:X[:SCALe]:OFFSet(?)	DISPlay:AVTime:X[:SCALe]:OFFSet(?)	Sets or queries the minimum horizontal, or time, value (left edge) for amplitude vs. time waveform.
DISPlay:OVlew:WAVeform:X[:SCALe]:PDIVision(?)	DISPlay:AVTime:X[:SCALe]:FULL?	Sets or queries the horizontal, or time, scale (per division) for Time Overview. For the RSA6100A series, once you get the value from the scale divide it by 10 to get the division. To set the division to a particular value set the scale value 10 times to the required Pdivision value.
DISPlay:OVlew:WAVeform:Y[:SCALe]:FIT	DISPlay:AVTime:Y:RSCale	Runs the auto-scale on the overview. The auto-scale automatically sets the start value and scale of the vertical axis to display the whole waveform.
DISPlay:OVlew:WAVeform:Y[:SCALe]:FULL	DISPlay:AVTime:Y[:SCALe]:FULL(?)	Sets or queries the vertical scale.
DISPlay:OVlew:WAVeform:Y[:SCALe]:OFFSet(?)	DISPlay:AVTime:Y[:SCALe]:OFFSet(?)	Sets or queries the minimum vertical, or amplitude, value (bottom) for amplitude vs. time waveform.
DISPlay:OVlew:WAVeform:Y[:SCALe]:PDIVision(?)	DISPlay:AVTime:Y[:SCALe]:FULL?	Sets or queries the vertical, or amplitude, scale (per division) when the overview displays an amplitude vs. time waveform. For the RSA6100A series, once you get the value from the scale divide it by 10 to get the division. To set the division to a particular value set the scale value 10 times to the required Pdivision value.

Table F-9: DISPLAY:OVlew subgroup (cont.)

RSA3000 commands	RSA6100A/RSA5100A commands	Description
DISPlay:OVlew:ZOOM:COLor[:SCALe]:OFFSet(?)	[SENSe]:SGRam:COLor:MINimum(?)	Sets or queries the minimum value (bottom) of the color, or amplitude, axis of the spectrogram.
DISPlay:OVlew:ZOOM:COLor[:SCALe]:RANGe(?)	[SENSe]:SGRam:COLor:MINimum [SENSe]:SGRam:COLor:MAXimum	Sets or queries full-scale value of the color or amplitude axis when the overview displays a spectrogram. By setting the Minimum and Maximum, the full range can be set.
DISPlay:OVlew:ZOOM:X[:SCALe]:OFFSet(?)	DISPlay:SGRam:FREQuency:OFFSet(?)	Sets or queries the minimum horizontal or frequency value of Spectrogram.
DISPlay:OVlew:ZOOM:X[:SCALe]:SPAN(?)	DISPlay:SGRam:FREQuency:SCALe(?)	Sets or queries the scale of the horizontal or frequency axis of the spectrogram.
DISPlay:OVlew:ZOOM:Y[:SCALe]:OFFSet(?)	DISPlay:SGRam:TIME:OFFSet(?)	Sets or queries the vertical axis (time) offset (bottom line number) in the spectrogram.
DISPlay:OVlew:ZOOM:Y[:SCALe]:PLINe(?)	DISPlay:SGRam:TIME:SCALe(?)	Sets or queries the vertical scale (the amount of time in each line) in the spectrogram.

Table F-10: DISPLAY:PULSe:MVlew]:SVlew subgroup

RSA3000 commands	RSA6100A/RSA5100A commands	Description
DISPlay:PULSe:MVlew:RESult:CHPower(?)	DISPlay:PULSe:RESult:AVERAge(?)	Sets or queries whether to show the average on power result in the pulse result table.
DISPlay:PULSe:MVlew:RESult:DCYCLe(?)	DISPlay:PULSe:RESult:DUTPct(?)	Determines whether to show duty cycle measurement results in the pulse result table.
DISPlay:PULSe:MVlew:RESult:EBWidth(?)	No equivalent command	
DISPlay:PULSe:MVlew:RESult:FREQuency(?)	DISPlay:PULSe:RESult:FRDeviation(?)	Determines whether to show frequency deviation measurement results in the pulse result table.
DISPlay:PULSe:MVlew:RESult:OBWidth(?)	No equivalent command	
DISPlay:PULSe:MVlew:RESult:OORatio(?)	No equivalent command	
DISPlay:PULSe:MVlew:RESult:PERiod(?)	DISPlay:PULSe:RESult:RINTerval(?)	Determines whether to show pulse repetition interval measurement results in the pulse result table.
DISPlay:PULSe:MVlew:RESult:PHASe(?)	DISPlay:PULSe:RESult:PPPHase(?)	Determines whether to show pulse-pulse phase measurement results in the pulse result table.
DISPlay:PULSe:MVlew:RESult:PPOWer(?)	DISPlay:PULSe:RESult:PPOWer(?)	Determines whether to show peak power measurement results in the pulse result table.
DISPlay:PULSe:MVlew:RESult:RIPPLe(?)	DISPlay:PULSe:RESult:RIPPLe(?)	Determines whether to show pulse ripple measurement results in the pulse result table.
DISPlay:PULSe:MVlew:RESult:WIDTh(?)	DISPlay:PULSe:RESult:WIDTh(?)	Determines whether to show pulse width measurement results in the pulse result table.

**Table F-10: DISPlay:PULSe:MVlew|:SVlew subgroup (cont.)**

RSA3000 commands	RSA6100A/RSA5100A commands	Description
DISPlay:PULSe:SVlew:FORMat(?)	DISPlay:PULSe:SElect:RESult(?)	Selects or queries which results are shown. In case of the RSA3000 series, the results display in the SubView. In the RSA6100A series, the results display in the Pulse Trace and Pulse Statistics windows.
DISPlay:PULSe:SVlew:GUIDelines(?)	No equivalent command	
DISPlay:PULSe:SVlew:RANGe(?)	DISPlay:PULSe:TRACe:X[:SCALe]:FULL(?)	Selects or queries how to set the horizontal scale in the subview.
DISPlay:PULSe:SVlew:RESult(?)	DISPlay:PULSe:MEASview:NEW TRACe DISPlay:PULSe:MEASview:NEW STATistics	Selects or queries how to show the result graph in the subview. In the RSA6100A series, the Pulse Statistics Measurement can be used to see the results for all pulses .
DISPlay:PULSe:SVlew:SElect(?)	DISPlay:PULSe:SElect:NUMBer(?)	Selects or queries a pulse to measure

**Table F-11: DISPlay:PULSe:SPECtrum subgroup**

RSA3000 commands	RSA6100A/RSA5100A commands	Description
DISPlay:PULSe:SPECtrum:X[:SCALe]:OFFSet(?)	If the user of the RSA3000 series has chosen Channel Power measurement in the Pulse Table, use DISPlay:ACPower:X[:SCALe]:OFFSet(?) If the user of the RSA000 series has chosen OBW measurement in the Pulse Table. Use DISPlay:OBWidth:X[:SCALe]:OFFSet(?)	Sets the minimum horizontal value (left edge).
DISPlay:PULSe:SPECtrum:X[:SCALe]:PDIvision(?)	If the user of the RSA3000 series has chosen Channel Power measurement in the Pulse Table. Use DISPlay:ACPower:X[:SCALe]? If the user of the RSA3000 series has chosen OBW measurement in the Pulse Table, use DISPlay:OBWidth:X[:SCALe]?	Sets the horizontal scale (per division). For the RSA6100A series, once you get the value from the scale divide it by 10 to get the division. To set the division to a particular value set the scale value 10 times to the required Pdivision value.
DISPlay:PULSe:SPECtrum:Y[:SCALe]:FIT	If the user of the RSA3000 series has chosen Channel Power measurement in the Pulse Table, use: DISPlay:ACPower:Y[:SCALe]:AUTO If the user of the RSA3000 series has chosen OBW measurement in the Pulse Table, use DISPlay:OBWidth:Y[:SCALe]:AUTO	Rescales the vertical axis automatically.



Table F-11: DISPlay:PULSe:SPECTrum subgroup (cont.)

RSA3000 commands	RSA6100A/RSA5100A commands	Description
DISPlay:PULSe:SPECTrum:Y[:SCALe]:FULL	If the user of the RSA3000 series has chosen Channel Power measurement in the Pulse Table, use: DISPlay:ACPower:RESet:SCALe  If the user of the RSA3000 series has chosen OBW measurement in the Pulse Table, use DISPlay:OBWidth:RESet:SCALe	Sets the vertical axis to the default full-scale value.
DISPlay:PULSe:SPECTrum:Y[:SCALe]:OFFSet(?)	If the user of the RSA3000 series has chosen Channel Power measurement in the Pulse Table, use: DISPlay:ACPower:Y[:SCALe]:OFFSet(?)  If the user of the RSA3000 series has chosen OBW measurement in the Pulse Table, use DISPlay:OBWidth:Y[:SCALe]:OFFSet(?)	Sets or queries the vertical offset.
DISPlay:PULSe:SPECTrum:Y[:SCALe]:PDIVision(?)	If the user of the RSA3000 series has chosen Channel Power measurement in the Pulse Table, use DISPlay:ACPower:Y[:SCALe]?  If the user of the RSA3000 series has chosen OBW measurement in the Pulse Table, use DISPlay:OBWidth:Y[:SCALe]?	Sets the vertical scale (per division).  For the RSA6100A series, once you get the value from the scale divide it by 10 to get the division. To set the division to a particular value set the scale value 10 times to the required Pdivision value.

Table F-12: DISPlay:PULSe:WAVEform subgroup

RSA3000 commands	RSA6100A/RSA5100A commands	Description
DISPlay:PULSe:WAVEform:X[:SCALe]:OFFSet(?)	DISPlay:PULSe:TRACe:X[:SCALe]:OFFSet(?)	Sets or queries the minimum horizontal value in the pulse trace view.
DISPlay:PULSe:WAVEform:X[:SCALe]:PDIVision(?)	DISPlay:PULSe:TRACe:X[:SCALe]:PDIVision	Sets or queries the horizontal full scale in the pulse trace view.
DISPlay:PULSe:WAVEform:Y[:SCALe]:FIT	DISPlay:PULSe:TRACe:Y:RScale	Runs the auto-scale on the display. The auto-scale automatically sets the start value and scale of the vertical axis to fit the waveform to the screen.
DISPlay:PULSe:WAVEform:Y[:SCALe]:FULL	DISPlay:PULSe:TRACe:Y[:SCALe]:FULL	Sets the vertical axis in the time domain display to the full-scale value.  For the RSA6100A series a value has to be provided. In the RSA3000 series it will use the default full scale.

Table F-12: DISPlay:PULSe:WAVeform subgroup (cont.)

RSA3000 commands	RSA6100A/RSA5100A commands	Description
DISPlay:PULSe:WAVeform:Y[:SCALe]:OFFSet(?)	DISPlay:PULSe:TRACe:Y[:SCALe]:OFFSet(?)	Sets or queries the minimum value (bottom) of the vertical axis in the time domain display.
DISPlay:PULSe:WAVeform:Y[:SCALe]:PDIVision(?)	DISPlay:PULSe:TRACe:Y[:SCALe]:FULL?	Sets the vertical axis scale (per division) in the time domain display.  For the RSA6100A series, once you get the value from the scale divide it by 10 to get the division. To set the division to a particular value set the scale value 10 times to the required Pdivision value.

Table F-13: DISPlay:SPECTrum subgroup

RSA3000 commands	RSA6100A/RSA5100A commands	Description
DISPlay:SPECTrum:BMARker:STATe(?)	No equivalent command	
DISPlay:SPECTrum:GRATICule:GRID(?)	DISPlay:SPECTrum:WINDow:TRACe:GRATICule: GRID:STATe(?)	Selects or queries how the graticule is displayed.
DISPlay:SPECTrum:MLINe:AMPLitude:INTerval(?)	No equivalent command	
DISPlay:SPECTrum:MLINe:AMPLitude:OFFSet(?)	No equivalent command	
DISPlay:SPECTrum:MLINe:AMPLitude:OFFSet(?)	No equivalent command	
DISPlay:SPECTrum:MLINe:AMPLitude:OFFSet(?)	No equivalent command	
DISPlay:SPECTrum:MLINe:AMPLitude[:STATe](?)	No equivalent command	
DISPlay:SPECTrum:MLINe:ANNotation[:STATe](?)	No equivalent command	
DISPlay:SPECTrum:MLINe:FREQuency:INTerval(?)	No equivalent command	
DISPlay:SPECTrum:MLINe:FREQuency:OFFSet(?)	No equivalent command	
DISPlay:SPECTrum:MLINe:FREQuency[:STATe](?)	No equivalent command	
DISPlay:SPECTrum:X[:SCALe]:OFFSet(?)	[SENSe]:SPECTrum:FREQuency:START	Sets or queries the minimum horizontal, or frequency, value (left edge) in the spectrum view.
DISPlay:SPECTrum:X[:SCALe]:PDIVision(?)	[SENSe]:SPECTrum:FREQuency:STEP	Sets or queries the frequency step size.
DISPlay:SPECTrum:Y[:SCALe]:FIT	DISPlay:SPECTrum:Y[:SCALe]:AUTO	Runs the auto-scale on the spectrum view.

Table F-13: DISPLAY:SPECTrum subgroup (cont.)

RSA3000 commands	RSA6100A/RSA5100A commands	Description
DISPlay:SPECTrum:Y[:SCALe]:FULL	DISPlay:SPECTrum:Y[:SCALe]:RESet	Sets the vertical axis to the default full-scale value in the spectrum view
DISPlay:SPECTrum:Y[:SCALe]:OFFSet(?)	DISPlay:SPECTrum:Y[:SCALe]:OFFSet(?)	Sets or queries the minimum vertical or amplitude value.
DISPlay:SPECTrum:Y[:SCALe]:PDIVision(?)	DISPlay:SPECTrum:Y[:SCALe]:PDIVision(?)	Sets or queries the vertical, or amplitude, scale (per division) in the spectrum view.

Table F-14: DISPLAY:TFRequency subgroup

RSA3000 commands	RSA6100A/RSA5100A commands	Description
DISPlay:TFRequency:SGRam:COLor[:SCALe]:OFFSet(?)	[SENSe]:SGRam:COLor:MINimum(?)	Sets or queries the minimum value (bottom) of the color, or amplitude, axis in the spectrogram.
DISPlay:TFRequency:SGRam:COLor[:SCALe]:RANGe(?)	[SENSe]:SGRam:COLor:MAXimum(?)	Sets or queries full-scale value of the color, or amplitude, axis in the spectrogram.
DISPlay:TFRequency:SGRam:MLINe:ANNOtation[:STATe](?)	No equivalent command	
DISPlay:TFRequency:SGRam:MLINe:FREQuency:INTerval(?)	No equivalent command	
DISPlay:TFRequency:SGRam:MLINe:FREQuency:OFFSet(?)	No equivalent command	
DISPlay:TFRequency:SGRam:MLINe:FREQuency[:STATe](?)	No equivalent command	
DISPlay:TFRequency:SGRam:MLINe:TIME:INTerval(?)	No equivalent command	
DISPlay:TFRequency:SGRam:MLINe:TIME:OFFSet(?)	No equivalent command	
DISPlay:TFRequency:SGRam:MLINe:TIME[:STATe](?)	No equivalent command	
DISPlay:TFRequency:SGRam:X[:SCALe]:OFFSet(?)	[SENSe]:SGRam:FREQuency:STARt	Sets or queries the minimum horizontal, or frequency, value (left edge) in the spectrogram.
DISPlay:TFRequency:SGRam:X[:SCALe]:SPAN(?)	[SENSe]:SGRam:FREQuency:SPAN	Sets or queries the horizontal, or frequency, span in the spectrogram.
DISPlay:TFRequency:SGRam:Y[:SCALe]:OFFSet(?)	DISPlay:SGRam:TIME:OFFSet(?)	Sets or queries the minimum horizontal, value (bottom) in the spectrogram. In the RSA6100A series, the value is set in terms of time. In the RSA3000 series, it is set in terms of Frames.
DISPlay:TFRequency:SGRam:Y[:SCALe]:PLINe(?)	DISPlay:SGRam:TIME:SCALE(?)	Sets or queries the vertical scale in Spectrogram.

**Table F-15: DISPlay[:VIEW] subgroup**

RSA3000 commands	RSA6100A/RSA5100A commands	Description
DISPlay[:VIEW]:BRIGhtness(?)	No equivalent command	
DISPlay[:VIEW]:FORMat(?)	No equivalent command	

**Table F-16: DISPlay:WAVeform subgroup**

RSA3000 commands	RSA6100A/RSA5100A commands	Description
DISPlay:WAVeform:X[:SCALe]:OFFSet(?)	DISPlay:<measurement>:X[:SCALe]:OFFSet(?)	The <measurement> in the RSA6100A series can be one of the following: AVTime, FVTime, IQVTime, TOVerview, AM, PM, FM.
DISPlay:WAVeform:X[:SCALe]:PDIVision(?)	DISPlay:<measurement>:X[:SCALe]:FULL?	Sets the horizontal, or time, scale per division. The <measurement> in the RSA6100A series can be one of the following: AVTime, FVTime, IQVTime, TOVerview, AM, PM, FM.  For the RSA6100A series, once you get the value from the scale divide it by 10 to get the division. To set the division to a particular value set the scale value 10 times to the required Pdivision value.
DISPlay:WAVeform:Y[:SCALe]:FIT	Based on Time domain waveform being represented in the RSA3000 series equivalent, Auto commands are available for the corresponding measurements in the RSA6100A series:  <ul style="list-style-type: none"> <li>■ DISPlay:AVTime:Y:RSCale</li> <li>■ DISPlay:{AM FM PM}:Y:RSCale</li> <li>■ DISPlay:FVTime:Y[:SCALe]:AUTO</li> <li>■ DISPlay:IQVTime:Y[:SCALe]:AUTO</li> <li>■ DISPlay:TOVerview:Y[:SCALe]:AUTO</li> </ul>	Rescales the vertical axis automatically.  The <measurement> in the RSA6100A series can be one of the following: AVTime, FVTime, IQVTime, TOVerview, AM, PM, FM.
	Based on Time domain waveform being represented in the RSA3000 series equivalent, Auto commands are available for the corresponding measurements in the RSA6100A series:  <ul style="list-style-type: none"> <li>■ DISPlay:AVTime:RESet</li> <li>■ DISPlay:TOVerview:Y[:SCALe]:RESCale</li> </ul>	Sets the vertical axis to the default full-scale value.  The Reset feature is not available for following measurements of the RSA6100A series: AM, PM, FM, FVTime, IQVTime

Table F-16: DISPLAY:WAVEform subgroup (cont.)

RSA3000 commands	RSA6100A/RSA5100A commands	Description
DISPlay:WAVEform:Y[:SCALe]: OFFSet(?)	DISPlay:<measurement>:Y[:SCALe]: OFFSet(?)	Sets or queries the vertical offset. The <measurement> in the RSA6100A series can be one of the following: AVTime, FVTime, IQVTime, TOVerview, AM, PM, FM.
DISPlay:WAVEform:Y[:SCALe]: PDIVision(?)	DISPlay:<measurement>:Y[: SCALe]?	Sets the vertical scale. For the RSA6100A series, once you get the value from the scale divide it by 10 to get the division. To set the division to a particular value set the scale value 10 times to the required Pdivision value.

Table F-17: DISPLAY:AUDIO:SPECTrum subgroup

RSA3000 commands	RSA6100A/RSA5100A commands	Description
DISPlay:AUDIO:SPECTrum:MLINe: AMPLitude:INTerval(?)	No equivalent command	
DISPlay:AUDIO:SPECTrum:MLINe: AMPLitude:OFFSet(?)	No equivalent command	
DISPlay:AUDIO:SPECTrum:MLINe: AMPLitude[:STATe](?)	No equivalent command	
DISPlay:AUDIO:SPECTrum:MLINe: ANNotation[:STATe](?)	No equivalent command	
DISPlay:AUDIO:SPECTrum:MLINe: FREQuency:INTerval(?)	No equivalent command	
DISPlay:AUDIO:SPECTrum:MLINe: FREQuency:OFFSet(?)	No equivalent command	
DISPlay:AUDIO:SPECTrum:MLINe: FREQuency[:STATe](?)	No equivalent command	
DISPlay:AUDIO:SPECTrum:X[: SCALe]:OFFSet(?)	No equivalent command	
DISPlay:AUDIO:SPECTrum:X[: SCALe]:PDIVision(?)	No equivalent command	
DISPlay:AUDIO:SPECTrum:Y[: SCALe]:FIT	No equivalent command	
DISPlay:AUDIO:SPECTrum:Y[: SCALe]:FULL	No equivalent command	
DISPlay:AUDIO:SPECTrum:Y[: SCALe]:OFFSet(?)	No equivalent command	
DISPlay:AUDIO:SPECTrum:Y[: SCALe]:PDIVision(?)	No equivalent command	

**Table F-18: DISPlay:AUDio:TFRequency subgroup**

<b>RSA3000 commands</b>	<b>RSA6100A/RSA5100A commands</b>	<b>Description</b>
DISPlay:AUDio:TFRequency: SGRam:COLor[:SCALe]:OFFSet(?)	No equivalent command	
DISPlay:AUDio:TFRequency: SGRam:COLor[:SCALe]:RANGe(?)	No equivalent command	
DISPlay:AUDio:TFRequency: SGRam:MLINe:ANNotation[: STATe](?)	No equivalent command	
DISPlay:AUDio:TFRequency: SGRam:MLINe:FREQuency: INTerval(?)	No equivalent command	
DISPlay:AUDio:TFRequency: SGRam:MLINe:FREQuency: OFFSet(?)	No equivalent command	
DISPlay:AUDio:TFRequency: SGRam:MLINe:FREQuency[: STATe](?)	No equivalent command	
DISPlay:AUDio:TFRequency: SGRam:MLINe:TIME:INTerval(?)	No equivalent command	
DISPlay:AUDio:TFRequency: SGRam:MLINe:TIME:OFFSet(?)	No equivalent command	
DISPlay:AUDio:TFRequency: SGRam:MLINe:TIME[:STATe](?)	No equivalent command	
DISPlay:AUDio:TFRequency: SGRam:X[:SCALe]:OFFSet(?)	No equivalent command	
DISPlay:AUDio:TFRequency: SGRam:X[:SCALe]:SPAN(?)	No equivalent command	
DISPlay:AUDio:TFRequency: SGRam:Y[:SCALe]:OFFSet(?)	No equivalent command	
DISPlay:AUDio:TFRequency: SGRam:Y[:SCALe]:PLINe(?)	No equivalent command	

**Option 21 Advanced measurement suite related commands.**

**Table F-19: DISPlay:DDEMod subgroup**

<b>RSA3000 commands</b>	<b>RSA6100A/RSA5100A commands</b>	<b>Description</b>																																								
DISPlay:DDEMod:CCDF:LINE:GAUSSian[:STATE](?)	TRACe3:CCDF:SHOW(?)	Sets or queries whether to show or hide the trace.																																								
DISPlay:DDEMod:MVleW:DStArt(?)	No equivalent command																																									
DISPlay:DDEMod:MVleW:FORMat(?)	DISPlay:DDEMod:MEASview:SELEct(?)	<p>Selects or queries the display format of the main view in the digital modulation analysis.</p> <p>The RSA3000 series arguments and equivalent RSA6100A series arguments are listed below:</p>																																								
		<table border="1"> <thead> <tr> <th><i>RSA3000</i></th> <th><i>RSA6100A/TSA5100A</i></th> </tr> </thead> <tbody> <tr> <td>IQVTime</td> <td>DIQVtime</td> </tr> <tr> <td>FVTime</td> <td>FDVTime</td> </tr> <tr> <td>CONSte</td> <td>CONSte</td> </tr> <tr> <td>VECTor</td> <td>TRACe:CONSte:MODE VECTors</td> </tr> <tr> <td>EVM</td> <td>EVM</td> </tr> <tr> <td>MERRor</td> <td>MERRor</td> </tr> <tr> <td>PERRor</td> <td>PERRor</td> </tr> <tr> <td>IEYE</td> <td>EDIagram</td> </tr> <tr> <td>QEYE</td> <td>EDIagram</td> </tr> <tr> <td>TEYE</td> <td>TDIagram</td> </tr> <tr> <td>STABle</td> <td>STABle</td> </tr> <tr> <td>PVTime</td> <td>DISPlay:GENeral:MEASview:NEW AVTime</td> </tr> <tr> <td>AMAM</td> <td>-</td> </tr> <tr> <td>AMPM</td> <td>-</td> </tr> <tr> <td>DAMam</td> <td>-</td> </tr> <tr> <td>DAMPm</td> <td>-</td> </tr> <tr> <td>CCDF</td> <td>DISPlay:GPRF:MEASview:NEW CCDF</td> </tr> <tr> <td>PDF</td> <td>-</td> </tr> <tr> <td>FSKDev</td> <td>SIGNalqual</td> </tr> </tbody> </table>	<i>RSA3000</i>	<i>RSA6100A/TSA5100A</i>	IQVTime	DIQVtime	FVTime	FDVTime	CONSte	CONSte	VECTor	TRACe:CONSte:MODE VECTors	EVM	EVM	MERRor	MERRor	PERRor	PERRor	IEYE	EDIagram	QEYE	EDIagram	TEYE	TDIagram	STABle	STABle	PVTime	DISPlay:GENeral:MEASview:NEW AVTime	AMAM	-	AMPM	-	DAMam	-	DAMPm	-	CCDF	DISPlay:GPRF:MEASview:NEW CCDF	PDF	-	FSKDev	SIGNalqual
<i>RSA3000</i>	<i>RSA6100A/TSA5100A</i>																																									
IQVTime	DIQVtime																																									
FVTime	FDVTime																																									
CONSte	CONSte																																									
VECTor	TRACe:CONSte:MODE VECTors																																									
EVM	EVM																																									
MERRor	MERRor																																									
PERRor	PERRor																																									
IEYE	EDIagram																																									
QEYE	EDIagram																																									
TEYE	TDIagram																																									
STABle	STABle																																									
PVTime	DISPlay:GENeral:MEASview:NEW AVTime																																									
AMAM	-																																									
AMPM	-																																									
DAMam	-																																									
DAMPm	-																																									
CCDF	DISPlay:GPRF:MEASview:NEW CCDF																																									
PDF	-																																									
FSKDev	SIGNalqual																																									
DISPlay:DDEMod:MVleW:HSSHift(?)	[SENSe]:DDEMod:SYMBol:HSSHift(?)	<p>Sets or queries the Q data half-symbol shift for OQPSK signals.</p> <p>The RSA3100 series options are LEFT   NONE   RIGHT.</p> <p>The RSA6100A options are 0 or 1.</p>																																								
DISPlay:DDEMod:MVleW:MPHase(?)	DISPlay:CONSte:MPHase(?)	Sets or queries the phase multiplication constant for a CPM signal.																																								
DISPlay:DDEMod:MVleW:RADix(?)	DISPlay:DDEMod:RADix(?)	<p>Sets or queries the base of symbols. This command is effective in the symbol table.</p> <p>The RSA3000 series has options for BINary   OCTal   HEXadecimal.</p> <p>The RSA6100A series has options for BINary   HEXadecimal.</p>																																								

Table F-19: DISPlay:DDEMod subgroup (cont.)

RSA3000 commands	RSA6100A/RSA5100A commands	Description
DISPlay:DDEMod:MVlew:SEQuence(?)	No equivalent command	
DISPlay:DDEMod:MVlew:X[:SCALe]:OFFSet(?)	DISPlay:DDEMod:X[:SCALe]:OFFSet(?)	Sets or queries the minimum horizontal value (left edge) for the time measurements in the general purpose digital modulation analysis.
DISPlay:DDEMod:MVlew:X[:SCALe]:RANGe(?)	DISPlay:DDEMod:X[:SCALe](?)	Sets or queries the full-scale value of the horizontal axis.
DISPlay:DDEMod:MVlew:Y[:SCALe]:FIT	DISPlay:<measurement>:Y[:SCALe]:AUTO	Sets the vertical scale automatically, where <measurement> can be: DIQVTime, FDVTime, EVM, EDIagram, Merror, PERRor
DISPlay:DDEMod:MVlew:Y[:SCALe]:FULL	No equivalent command	
DISPlay:DDEMod:MVlew:Y[:SCALe]:MAXimum(?)	No equivalent command	
DISPlay:DDEMod:MVlew:Y[:SCALe]:MINimum(?)	No equivalent command	
DISPlay:DDEMod:MVlew:Y[:SCALe]:OFFSet(?)	DISPlay:<measurement>:Y[:SCALe]:AUTO	Sets or queries the minimum vertical value (bottom), where <measurement> can be: DIQVTime, FDVTime, EVM, EDIagram, Merror, PERRor
DISPlay:DDEMod:MVlew:Y[:SCALe]:RANGe(?)	DISPlay:<measurement>:Y[:SCALe]:AUTO	Sets or queries full-scale value of the vertical axis, where <measurement> can be: DIQVTime, FDVTime, EVM, EDIagram, Merror, PERRor
DISPlay:DDEMod:NLINearity:LINE:BFIT[:STATe](?)	No equivalent command	
DISPlay:DDEMod:NLINearity:LINE:REFerence[:STATe](?)	No equivalent command	
DISPlay:DDEMod:NLINearity:MASK[:STATe](?)	No equivalent command	
DISPlay:DDEMod:SVlew:DStart(?)	No equivalent command	



Table F-19: DISPlay:DDEMod subgroup (cont.)

RSA3000 commands	RSA6100A/RSA5100A commands	Description												
DISPlay:DDEMod:SVIew:FORMat(?)	DISPlay:DDEMod:MEASview:SELEct(?)	<p>Selects or queries the display format of the subview in the digital modulation analysis.</p> <p>The RSA3000 series arguments and equivalent RSA6100A series arguments are listed below:</p>												
		<table border="0"> <tr> <td style="text-align: center;"><i>RSA3000</i></td> <td style="text-align: center;"><i>RSA6100A/TSA5100A</i></td> </tr> <tr> <td>SPECTrum</td> <td>DISPlay:GENeral:MEASview:NEW SPECTrum</td> </tr> <tr> <td>IQVTime FVTime CONSte VECTor</td> <td>DIQVtime FDVTime CONSte TRACe:CONSte:MODE VECTors</td> </tr> <tr> <td>EVM MERRor PERRor IEYE QEYE TEYE STABle PVTime</td> <td>EVM MERRor PERRor EDIagram EDIagram TDIagram STABle DISPlay:GENeral:MEASview:NEW AVTime</td> </tr> <tr> <td>AMAM AMPM DAMam DAMPm CCDF</td> <td>- - - - DISPlay:GPRF:MEASview:NEW CCDF</td> </tr> <tr> <td>PDF</td> <td>-</td> </tr> </table>	<i>RSA3000</i>	<i>RSA6100A/TSA5100A</i>	SPECTrum	DISPlay:GENeral:MEASview:NEW SPECTrum	IQVTime FVTime CONSte VECTor	DIQVtime FDVTime CONSte TRACe:CONSte:MODE VECTors	EVM MERRor PERRor IEYE QEYE TEYE STABle PVTime	EVM MERRor PERRor EDIagram EDIagram TDIagram STABle DISPlay:GENeral:MEASview:NEW AVTime	AMAM AMPM DAMam DAMPm CCDF	- - - - DISPlay:GPRF:MEASview:NEW CCDF	PDF	-
<i>RSA3000</i>	<i>RSA6100A/TSA5100A</i>													
SPECTrum	DISPlay:GENeral:MEASview:NEW SPECTrum													
IQVTime FVTime CONSte VECTor	DIQVtime FDVTime CONSte TRACe:CONSte:MODE VECTors													
EVM MERRor PERRor IEYE QEYE TEYE STABle PVTime	EVM MERRor PERRor EDIagram EDIagram TDIagram STABle DISPlay:GENeral:MEASview:NEW AVTime													
AMAM AMPM DAMam DAMPm CCDF	- - - - DISPlay:GPRF:MEASview:NEW CCDF													
PDF	-													
DISPlay:DDEMod:SVIew:HSSHift(?)	[SENSe]:DDEMod:SYMBol:HSSHift(?)	<p>Sets or queries the Q data half-symbol shift for OQPSK signals.</p> <p>The RSA3100 series options are LEFT   NONE   RIGHT.</p> <p>The RSA6100A options are 0 or 1.</p>												
DISPlay:DDEMod:SVIew:MPHase(?)	DISPlay:CONSte:MPHase(?)	Sets or queries the phase multiplication constant for a CPM signal.												
DISPlay:DDEMod:SVIew:RADix(?)	DISPlay:DDEMod:RADix(?)	<p>Sets or queries the base of symbols. This command is effective in the symbol table.</p> <p>The RSA3000 series has options for BINary   OCTal   HEXadecimal.</p> <p>The RSA6100A series has options for BINary   HEXadecimal.</p>												
DISPlay:DDEMod:SVIew:SEQuence(?)	No equivalent command													
DISPlay:DDEMod:SVIew:X[:SCALe]:OFFSet(?)	DISPlay:DDEMod:X[:SCALe]:OFFSet(?)	Sets or queries the minimum horizontal value (left edge) for the time measurements in the general purpose digital modulation analysis.												

Table F-19: DISPlay:DDEMod subgroup (cont.)

RSA3000 commands	RSA6100A/RSA5100A commands	Description
DISPlay:DDEMod:SVIew:X[:SCALe]:RANGe(?)	DISPlay:DDEMod:X[:SCALe](?)	Sets or queries the full-scale value of the horizontal axis
DISPlay:DDEMod:SVIew:Y[:SCALe]:FIT	DISPlay:<measurement>:Y[:SCALe]:AUTO	Sets the vertical scale automatically, where <measurement> can be: DIQVTime, FDVTime, EVM, EDIagram, Merror, PERRor
DISPlay:DDEMod:SVIew:Y[:SCALe]:FULL	No equivalent command	
DISPlay:DDEMod:SVIew:Y[:SCALe]:MAXimum(?)	No equivalent command	
DISPlay:DDEMod:SVIew:Y[:SCALe]:MINimum(?)	No equivalent command	
DISPlay:DDEMod:SVIew:Y[:SCALe]:OFFSet(?)	DISPlay:<measurement>:Y[:SCALe]:OFFSet	Sets or queries the minimum vertical value (bottom), where <measurement> can be: DIQVTime, FDVTime, EVM, EDIagram, Merror, PERRor
DISPlay:DDEMod:SVIew:Y[:SCALe]:RANGe(?)	DISPlay:<measurement>:Y[:SCALe]	Sets or queries full-scale value of the vertical axis, where <measurement> can be: DIQVTime, FDVTime, EVM, EDIagram, Merror, PERRor

Table F-20: DISPlay:RFID:DDEMod subgroup

RSA3000 commands	RSA6100A/RSA5100A commands	Description
DISPlay:RFID:DDEMod:MVIew:AREA[:PERCent](?)	No equivalent command	
DISPlay:RFID:DDEMod:MVIew:BURSt[:NUMBer](?)	No equivalent command	
DISPlay:RFID:DDEMod:MVIew:EDGE[:NUMBer](?)	No equivalent command	
DISPlay:RFID:DDEMod:MVIew:ENVELOpe[:NUMBer](?)	No equivalent command	
DISPlay:RFID:DDEMod:MVIew:GUIDeline[:STATe](?)	No equivalent command	
DISPlay:RFID:DDEMod:MVIew:X[:SCALe]:OFFSet(?)	No equivalent command	
DISPlay:RFID:DDEMod:MVIew:X[:SCALe]:PDIvision(?)	No equivalent command	
DISPlay:RFID:DDEMod:MVIew:X[:SCALe]:RANGe(?)	No equivalent command	
DISPlay:RFID:DDEMod:MVIew:Y[:SCALe]:FIT	No equivalent command	

Table F-20: DISPLAY:RFID:DDEMod subgroup (cont.)

RSA3000 commands	RSA6100A/RSA5100A commands	Description
DISPlay:RFID:DDEMod:MVlew:Y[:SCALe]:FULL	No equivalent command	
DISPlay:RFID:DDEMod:MVlew:Y[:SCALe]:OFFSet(?)	No equivalent command	
DISPlay:RFID:DDEMod:MVlew:Y[:SCALe]:PDIVision(?)	No equivalent command	
DISPlay:RFID:DDEMod:MVlew:Y[:SCALe]:RANGe(?)	No equivalent command	
DISPlay:RFID:DDEMod:SVlew:AREA[:PERCent](?)	No equivalent command	
DISPlay:RFID:DDEMod:SVlew:BURSt[:NUMBer](?)	No equivalent command	
DISPlay:RFID:DDEMod:SVlew:EDGE[:NUMBer](?)	No equivalent command	
DISPlay:RFID:DDEMod:SVlew:ENVELOpe[:NUMBer](?)	No equivalent command	
DISPlay:RFID:DDEMod:SVlew:FORMat(?)	No equivalent command	
DISPlay:RFID:DDEMod:SVlew:GUIDeline[:STATe](?)	No equivalent command	
DISPlay:RFID:DDEMod:SVlew:X[:SCALe]:OFFSet(?)	No equivalent command	
DISPlay:RFID:DDEMod:SVlew:X[:SCALe]:PDIVision(?)	No equivalent command	
DISPlay:RFID:DDEMod:SVlew:X[:SCALe]:RANGe(?)	No equivalent command	
DISPlay:RFID:DDEMod:SVlew:Y[:SCALe]:FIT	No equivalent command	
DISPlay:RFID:DDEMod:SVlew:Y[:SCALe]:FULL	No equivalent command	
DISPlay:RFID:DDEMod:SVlew:Y[:SCALe]:OFFSet(?)	No equivalent command	
DISPlay:RFID:DDEMod:SVlew:Y[:SCALe]:PDIVision(?)	No equivalent command	
DISPlay:RFID:DDEMod:SVlew:Y[:SCALe]:RANGe(?)	No equivalent command	

**Table F-21: DISPlay:RFID:SPECtrum subgroup**

<b>RSA3000 commands</b>	<b>RSA6100A/RSA5100A commands</b>	<b>Description</b>
DISPlay:RFID:SPECtrum:X[:SCALe]:OFFSet(?)	No equivalent command	
DISPlay:RFID:SPECtrum:X[:SCALe]:PDIVision(?)	No equivalent command	
DISPlay:RFID:SPECtrum:Y[:SCALe]:FIT	No equivalent command	
DISPlay:RFID:SPECtrum:Y[:SCALe]:FULL	No equivalent command	
DISPlay:RFID:SPECtrum:Y[:SCALe]:OFFSet(?)	No equivalent command	
DISPlay:RFID:SPECtrum:Y[:SCALe]:PDIVision(?)	No equivalent command	

**Table F-22: DISPlay:RFID:WAVEform subgroup**

<b>RSA3000 commands</b>	<b>RSA6100A/RSA5100A commands</b>	<b>Description</b>
DISPlay:RFID:WAVEform:X[:SCALe]:OFFSet(?)	No equivalent command	
DISPlay:RFID:WAVEform:X[:SCALe]:PDIVision(?)	No equivalent command	
DISPlay:RFID:WAVEform:Y[:SCALe]:FIT	No equivalent command	
DISPlay:RFID:WAVEform:Y[:SCALe]:FULL	No equivalent command	
DISPlay:RFID:WAVEform:Y[:SCALe]:OFFSet(?)	No equivalent command	
DISPlay:RFID:WAVEform:Y[:SCALe]:PDIVision(?)	No equivalent command	

Table F-23: DISPlay:SSource:MVlew subgroup

RSA3000 commands	RSA6100A/RSA5100A commands	Description
DISPlay:SSource:MVlew:X[:SCALe]:OFFSet(?)	DISPlay:SPURious:X[:SCALe]:STARt(?) DISPlay:FVTime:X[:SCALe]:OFFSet(?)	Sets or queries the minimum horizontal value (left edge). On the RSA3000 series, this command works when the measurement is SPURious, Real time Spurious or Frequency versus Time. Equivalent commands for the RSA6100A series are shown with respect to these measurements.
DISPlay:SSource:MVlew:X[:SCALe]:PDIVision(?)	DISPlay:SPURious:X[:SCALe]:STARt(?) DISPlay:SPURious:X[:SCALe]:STOP(?) DISPlay:FVTime:X[:SCALe]:OFFSet(?) DISPlay:FVTime:X[:SCALe](?)	Sets or queries the horizontal scale. On the RSA3000 series, this command works when the measurement is SPURious, Real time Spurious or Frequency versus Time. Equivalent commands for the RSA6100A series are shown with respect to these measurements. There is no direct command to set the per division scale. However by setting the start and Stop the desired Pdivision can be achieved.
DISPlay:SSource:MVlew:X[:SCALe]:RANGe(?)	DISPlay:FVTime:X[:SCALe](?) DISPlay:SPURious:X[:SCALe]:STARt(?) DISPlay:SPURious:X[:SCALe]:STOP(?)	Sets or queries the full-scale value of the horizontal axis. On the RSA3000 series, this command works when the measurement is SPURious, Real time Spurious or Frequency versus Time. Equivalent commands for the RSA6100A series are shown with respect to these measurements.
DISPlay:SSource:MVlew:X[:SCALe]:STARt(?)	DISPlay:PNOise:X[:SCALe]:STARt(?)	Sets or queries the minimum horizontal value (left edge). On the RSA3000 series, this command works when the measurement is Phase Noise. Equivalent commands for the RSA6100A series are shown with respect to these measurements.
DISPlay:SSource:MVlew:X[:SCALe]:STOP(?)	DISPlay:PNOise:X[:SCALe]:STOP(?)	Sets or queries the maximum horizontal value (right edge). On the RSA3000 series, this command works when the measurement is Phase Noise. Equivalent commands for the RSA6100A series are shown with respect to these measurements.
DISPlay:SSource:MVlew:Y[:SCALe]:FIT	DISPlay:<measurement>:Y[:SCALe]:AUTO	Rescales the vertical axis automatically, where measurement can be replaced with SPURious, FVTime, Pnoise. On the RSA3000 series, this command works when the measurement is SPURious, Real time Spurious, Frequency versus Time and Phase Noise. Equivalent commands for the RSA6100A series are shown with respect to these measurements.

Table F-23: DISPLAY:SSource:MVlew subgroup (cont.)

RSA3000 commands	RSA6100A/RSA5100A commands	Description
DISPlay:SSource:MVlew:Y[:SCALE]:FULL	DISPlay:SPURious:RESet:SCALE DISPlay:PNOise:RESet:SCALE	Resets the vertical scale to the default values. On the RSA3000 series, this command works when measurement is SPURious, Real time Spurious, Frequency versus Time and Phase Noise. In the RSA6100A series, the equivalent commands exists only for Spurious and Phase Noise measurement. In the RSA6100A series, the reset happens on both vertical and horizontal scale as against the vertical scale in the RSA3000 series.
DISPlay:SSource:MVlew:Y[:SCALE]:OFFSet(?)	DISPlay:<measurement>:Y[:SCALE]:OFFSet	<measurement> can be replaced with SPURious, FVTime, PNoise
DISPlay:SSource:MVlew:Y[:SCALE]:PDIVision(?)	DISPlay:PNOise:Y[:SCALE]:PDIVision	Sets or queries the vertical scale (per division). On the RSA3000 series, this command works when the measurement is SPURious, Real time Spurious, Frequency versus Time and Phase Noise. In the RSA6100A series, the equivalent command exists only for the Phase Noise measurement.
DISPlay:SSource:MVlew:Y[:SCALE]:RANGe(?)	DISPlay:<measurement>:Y[:SCALE]	Sets or queries full-scale value of the vertical axis, where measurement can be replaced with SPURious, FVTime, Pnoise.

Table F-24: DISPLAY:SSource:SVlew subgroup

RSA3000 commands	RSA6100A/RSA5100A commands	Description
DISPlay:SSource:SVlew:COLor[:SCALE]:OFFSet(?)	No equivalent command	
DISPlay:SSource:SVlew:COLor[:SCALE]:RANGe(?)	No equivalent command	
DISPlay:SSource:SVlew:FORMat(?)	No equivalent command	
DISPlay:SSource:SVlew:X[:SCALE]:OFFSet(?)	No equivalent command	
DISPlay:SSource:SVlew:X[:SCALE]:PDIVision(?)	No equivalent command	
DISPlay:SSource:SVlew:X[:SCALE]:RANGe(?)	No equivalent command	
DISPlay:SSource:SVlew:X[:SCALE]:START(?)	No equivalent command	
DISPlay:SSource:SVlew:X[:SCALE]:STOP(?)	No equivalent command	
DISPlay:SSource:SVlew:Y[:SCALE]:FIT	No equivalent command	

**Table F-24: DISPlay:SSource:SVIew subgroup (cont.)**

RSA3000 commands	RSA6100A/RSA5100A commands	Description
DISPlay:SSource:SVIew:Y[:SCALe]:FULL	No equivalent command	
DISPlay:SSource:SVIew:Y[:SCALe]:OFFSet(?)	No equivalent command	
DISPlay:SSource:SVIew:Y[:SCALe]:PDIVision(?)	No equivalent command	
DISPlay:SSource:SVIew:Y[:SCALe]:PLINe(?)	No equivalent command	
DISPlay:SSource:SVIew:Y[:SCALe]:RANGe(?)	No equivalent command	

**Table F-25: DISPlay:SSource:SPEctrum subgroup**

RSA3000 commands	RSA6100A/RSA5100A commands	Description
DISPlay:SSource:SPEctrum:X[:SCALe]:OFFSet(?)	DISPlay:SPEctrum:FREquency:OFFSet(?)	Sets or queries the minimum horizontal, or frequency, value (left edge) in the spectrum view.  The command on the RSA3000 series is for the spectrum view which is shown during Source analysis.
DISPlay:SSource:SPEctrum:X[:SCALe]:PDIVision(?)	DISPlay:SPEctrum:FREquency[:SCALe]?	Sets or queries the horizontal, or frequency, scale (per division) in the spectrum view.  For the RSA6100A series, once you get the value from the scale divide it by 10 to get the division. To set the division to a particular value set the scale value 10 times to the required Pdivision value.
DISPlay:SSource:SPEctrum:Y[:SCALe]:FIT	DISPlay:SPEctrum:Y[:SCALe]:AUTO	Runs auto-scale on the spectrum view.
DISPlay:SSource:SPEctrum:Y[:SCALe]:FULL	DISPlay:SPEctrum:Y[:SCALe]:RESet	Sets the vertical axis to the default full-scale value in the spectrum view.
DISPlay:SSource:SPEctrum:Y[:SCALe]:OFFSet(?)	DISPlay:SPEctrum:Y[:SCALe]:OFFSet(?)	Sets or queries the vertical offset.
DISPlay:SSource:SPEctrum:Y[:SCALe]:PDIVision(?)	DISPlay:SPEctrum:Y[:SCALe]:PDIVision(?)	Sets or queries the vertical scale (per division).

**Table F-26: DISPlay:SSource:TFRequency subgroup**

RSA3000 commands	RSA6100A/RSA5100A commands	Description
DISPlay:SSource:TFRequency:NGRam:COLor[:SCALe]:OFFSet(?)	No equivalent command	
DISPlay:SSource:TFRequency:NGRam:COLor[:SCALe]:RANGe(?)	No equivalent command	

**Table F-26: DISPlay:SSource:TFRrequency subgroup (cont.)**

<b>RSA3000 commands</b>	<b>RSA6100A/RSA5100A commands</b>	<b>Description</b>
DISPlay:SSource:TFRrequency: NGRam:X[:SCALe]:STARt(?)	No equivalent command	
DISPlay:SSource:TFRrequency: NGRam:X[:SCALe]:STOP(?)	No equivalent command	
DISPlay:SSource:TFRrequency: NGRam:Y[:SCALe]:OFFSet(?): OFFSet(?)	No equivalent command	
DISPlay:SSource:TFRrequency: NGRam:Y[:SCALe]:PLINe(?)	No equivalent command	

The following table lists commands related to the Noisogram view.

**Table F-27: DISPlay:SSource:WAVeform subgroup**

<b>RSA3000 commands</b>	<b>RSA6100A/RSA5100A commands</b>	<b>Description</b>
DISPlay:SSource:WAVeform:X[: SCALe]:OFFSet(?)	DISPlay:TOVerview:X[:SCALe]: OFFSet(?)	Sets or queries the minimum value of the horizontal axis (left edge) in the time domain display.
DISPlay:SSource:WAVeform:X[: SCALe]:PDIVision(?)	DISPlay:TOVerview:X[:SCALe]?	Sets or queries the horizontal, or time, scale (per division) in the time domain display.  For the RSA6100A series, once you get the value from the scale divide it by 10 to get the division. To set the division to a particular value set the scale value 10 times to the required Pdivision value.
DISPlay:SSource:WAVeform:Y[: SCALe]:FIT	DISPlay:TOVerview:Y[:SCALe]: AUTO	Runs auto-scale on the time domain display. The auto-scale automatically sets the start value and scale of the vertical axis to fit the waveform to the screen.
DISPlay:SSource:WAVeform:Y[: SCALe]:FULL	DISPlay:TOVerview:Y[:SCALe]: RESCale	Sets the vertical axis to the default full-scale value in the time domain display.
DISPlay:SSource:WAVeform:Y[: SCALe]:OFFSet(?)	DISPlay:TOVerview:Y[:SCALe]: OFFSet	Sets or queries the minimum value (bottom) of the vertical axis in the time domain display.
DISPlay:SSource:WAVeform:Y[: SCALe]:PDIVision(?)	DISPlay:TOVerview:Y[:SCALe]?	Sets the vertical axis to the default full-scale value in the time domain display  For the RSA6100A series, once you get the value from the scale divide it by 10 to get the division. To set the division to a particular value set the scale value 10 times to the required Pdivision value.



**Option 24 GSM/EDGE analysis related commands.****Table F-28: DISPlay:GSMedge:DDEMod subgroup**

<b>RSA3000 commands</b>	<b>RSA6100A/RSA5100A commands</b>	<b>Description</b>
DISPlay:GSMedge:DDEMod:MVlew: FILTer:EIINVerse(?)	No equivalent command	
DISPlay:GSMedge:DDEMod:MVlew: FORMat(?)	No equivalent command	
DISPlay:GSMedge:DDEMod:MVlew: STIME(?)	No equivalent command	
DISPlay:GSMedge:DDEMod:MVlew: X[:SCALe]:OFFSet(?)	No equivalent command	
DISPlay:GSMedge:DDEMod:MVlew: X[:SCALe]:RANGe(?)	No equivalent command	
DISPlay:GSMedge:DDEMod:MVlew: Y[:SCALe]:FIT	No equivalent command	
DISPlay:GSMedge:DDEMod:MVlew: Y[:SCALe]:FULL	No equivalent command	
DISPlay:GSMedge:DDEMod:MVlew: Y[:SCALe]:OFFSet(?)	No equivalent command	
DISPlay:GSMedge:DDEMod:MVlew: Y[:SCALe]:RANGe(?)	No equivalent command	
DISPlay:GSMedge:DDEMod:SVlew: FILTer:EIINVerse(?)	No equivalent command	
DISPlay:GSMedge:DDEMod:SVlew: FORMat(?)	No equivalent command	
DISPlay:GSMedge:DDEMod:SVlew: STIME(?)	No equivalent command	
DISPlay:GSMedge:DDEMod:SVlew: X[:SCALe]:OFFSet(?)	No equivalent command	
DISPlay:GSMedge:DDEMod:SVlew: X[:SCALe]:RANGe(?)	No equivalent command	
DISPlay:GSMedge:DDEMod:SVlew: Y[:SCALe]:FIT	No equivalent command	
DISPlay:GSMedge:DDEMod:SVlew: Y[:SCALe]:FULL	No equivalent command	
DISPlay:GSMedge:DDEMod:SVlew: Y[:SCALe]:OFFSet(?)	No equivalent command	
DISPlay:GSMedge:DDEMod:SVlew: Y[:SCALe]:RANGe(?)	No equivalent command	

**Table F-29: DISPlay:GSMedge:SPECtrum subgroup**

<b>RSA3000 commands</b>	<b>RSA6100A/RSA5100A commands</b>	<b>Description</b>
DISPlay:GSMedge:SPECtrum: BMArker:STATe(?)	No equivalent command	
DISPlay:GSMedge:SPECtrum:X[: SCALe]:OFFSet(?)	No equivalent command	
DISPlay:GSMedge:SPECtrum:X[: SCALe]:PDIVision(?)	No equivalent command	
DISPlay:GSMedge:SPECtrum:Y[: SCALe]:FIT	No equivalent command	
DISPlay:GSMedge:SPECtrum:Y[: SCALe]:FULL	No equivalent command	
DISPlay:GSMedge:SPECtrum:Y[: SCALe]:OFFSet(?)	No equivalent command	
DISPlay:GSMedge:SPECtrum:Y[: SCALe]:PDIVision(?)	No equivalent command	

**Table F-30: DISPlay:GSMedge:WAVEform subgroup**

<b>RSA3000 commands</b>	<b>RSA6100A/RSA5100A commands</b>	<b>Description</b>
DISPlay:GSMedge:WAVEform: BURSt(?)	No equivalent command	
DISPlay:GSMedge:WAVEform:X[: SCALe]:OFFSet(?)	No equivalent command	
DISPlay:GSMedge:WAVEform:X[: SCALe]:PDIVision(?)	No equivalent command	
DISPlay:GSMedge:WAVEform:Y[: SCALe]:FIT	No equivalent command	
DISPlay:GSMedge:WAVEform:Y[: SCALe]:FULL	No equivalent command	
DISPlay:GSMedge:WAVEform:Y[: SCALe]:OFFSet(?)	No equivalent command	
DISPlay:GSMedge:WAVEform:Y[: SCALe]:PDIVision(?)	No equivalent command	

## Option 25 cdma2000 analysis related ( :Standard = FLCDMA2K|RLCDMA2K).

Table F-31: DISPLAY:Standard:CCDF subgroup

RSA3000 commands	RSA6100A/RSA5100A commands	Description
DISPLAY:Standard:CCDF:LINE:GAUSSian[:STATE](?)	No equivalent command	
DISPLAY:Standard:CCDF:LINE:REFERENCE[:STATE](?)	No equivalent command	
DISPLAY:Standard:CCDF:LINE:REFERENCE:STORE	No equivalent command	
DISPLAY:Standard:CCDF:X[:SCALE]:AUTO(?)	No equivalent command	
DISPLAY:Standard:CCDF:X[:SCALE]:MAXimum(?)	No equivalent command	
DISPLAY:Standard:CCDF:X[:SCALE]:OFFSet(?)	No equivalent command	
DISPLAY:Standard:CCDF:Y[:SCALE]:FIT	No equivalent command	
DISPLAY:Standard:CCDF:Y[:SCALE]:FULL	No equivalent command	
DISPLAY:Standard:CCDF:Y[:SCALE]:MAXimum(?)	No equivalent command	
DISPLAY:Standard:CCDF:Y[:SCALE]:MINimum(?)	No equivalent command	

Table F-32: DISPLAY:Standard:DDEMod subgroup (:Standard = FLCDMA2K|RLCDMA2K)

RSA3000 commands	RSA6100A/RSA5100A commands	Description
DISPLAY:Standard:DDEMod:MVleW:CORDer(?)	No equivalent command	
DISPLAY:Standard:DDEMod:MVleW:FORMat(?)	No equivalent command	
DISPLAY:Standard:DDEMod:MVleW:X[:SCALE]:OFFSet(?)	No equivalent command	
DISPLAY:Standard:DDEMod:MVleW:X[:SCALE]:RANGe(?)	No equivalent command	
DISPLAY:Standard:DDEMod:MVleW:Y[:SCALE]:FIT	No equivalent command	
DISPLAY:Standard:DDEMod:MVleW:Y[:SCALE]:FULL	No equivalent command	
DISPLAY:Standard:DDEMod:MVleW:Y[:SCALE]:OFFSet(?)	No equivalent command	

**Table F-32: DISPlay:Standard:DDEMod subgroup (:Standard = FLCDMA2K|RLCDMA2K) (cont.)**

<b>RSA3000 commands</b>	<b>RSA6100A/RSA5100A commands</b>	<b>Description</b>
DISPlay:Standard:DDEMod:MView: Y[:SCALe]:PUNit(?)	No equivalent command	
DISPlay:Standard:DDEMod:MView: Y[:SCALe]:RANGe(?)	No equivalent command	
DISPlay:Standard:DDEMod:SVlew: FORMat(?)	No equivalent command	
DISPlay:Standard:DDEMod:SVlew: X[:SCALe]:OFFSet(?)	No equivalent command	
DISPlay:Standard:DDEMod:SVlew: X[:SCALe]:RANGe(?)	No equivalent command	
DISPlay:Standard:DDEMod:SVlew: Y[:SCALe]:FIT	No equivalent command	
DISPlay:Standard:DDEMod:SVlew: Y[:SCALe]:FULL	No equivalent command	
DISPlay:Standard:DDEMod:SVlew: Y[:SCALe]:OFFSet(?)	No equivalent command	
DISPlay:Standard:DDEMod:SVlew: Y[:SCALe]:RANGe(?)	No equivalent command	

**Table F-33: DISPlay:Standard:SPECtrum subgroup (:Standard = FLCDMA2K|RLCDMA2K)**

<b>RSA3000 commands</b>	<b>RSA6100A/RSA5100A commands</b>	<b>Description</b>
DISPlay:Standard:SPECtrum:X[: SCALe]:OFFSet(?)	No equivalent command	
DISPlay:Standard:SPECtrum:X[: SCALe]:PDIVision(?)	No equivalent command	
DISPlay:Standard:SPECtrum:Y[: SCALe]:FIT	No equivalent command	
DISPlay:Standard:SPECtrum:Y[: SCALe]:FULL	No equivalent command	
DISPlay:Standard:SPECtrum:Y[: SCALe]:OFFSet(?)	No equivalent command	
DISPlay:Standard:SPECtrum:Y[: SCALe]:PDIVision(?)	No equivalent command	

**Table F-34: DISPlay:RLCDMA2K:WAVeform subgroup**

<b>RSA3000 commands</b>	<b>RSA6100A/RSA5100A commands</b>	<b>Description</b>
DISPlay:RLCDMA2K:WAVeform:X[: SCALe]:OFFSet(?)	No equivalent command	
DISPlay:RLCDMA2K:WAVeform:X[: SCALe]:PDIVision(?)	No equivalent command	
DISPlay:RLCDMA2K:WAVeform:Y[: SCALe]:FIT	No equivalent command	
DISPlay:RLCDMA2K:WAVeform:Y[: SCALe]:FULL	No equivalent command	
DISPlay:RLCDMA2K:WAVeform:Y[: SCALe]:OFFSet(?)	No equivalent command	
DISPlay:RLCDMA2K:WAVeform:Y[: SCALe]:PDIVision(?)	No equivalent command	

## Option 26 1xEV-DO analysis related ( :Standard = FL1XEVD0|:RL1XEVD0).

Table F-35: DISPlay:Standard:CCDF subgroup

RSA3000 commands	RSA6100A/RSA5100A commands	Description
DISPlay:Standard:CCDF:LINE:GAUSSian[:STATe](?)	No equivalent command	
DISPlay:Standard:CCDF:LINE:REFerence[:STATe](?)	No equivalent command	
DISPlay:Standard:CCDF:LINE:REFerence:STORe	No equivalent command	
DISPlay:Standard:CCDF:X[:SCALE]:AUTO(?)	No equivalent command	
DISPlay:Standard:CCDF:X[:SCALE]:MAXimum(?)	No equivalent command	
DISPlay:Standard:CCDF:X[:SCALE]:OFFSet(?)	No equivalent command	
DISPlay:Standard:CCDF:Y[:SCALE]:FIT	No equivalent command	
DISPlay:Standard:CCDF:Y[:SCALE]:FULL	No equivalent command	
DISPlay:Standard:CCDF:Y[:SCALE]:MAXimum(?)	No equivalent command	
DISPlay:Standard:CCDF:Y[:SCALE]:MINimum(?)	No equivalent command	

Table F-36: DISPlay:Standard:DDEMod subgroup ( :Standard = FL1XEVD0|:RL1XEVD0)

RSA3000 commands	RSA6100A/RSA5100A commands	Description
DISPlay:Standard:DDEMod:MVlew:CORDer(?)	No equivalent command	
DISPlay:Standard:DDEMod:MVlew:FORMat(?)	No equivalent command	
DISPlay:Standard:DDEMod:MVlew:X[:SCALE]:OFFSet(?)	No equivalent command	
DISPlay:Standard:DDEMod:MVlew:X[:SCALE]:RANGe(?)	No equivalent command	
DISPlay:Standard:DDEMod:MVlew:Y[:SCALE]:FIT	No equivalent command	
DISPlay:Standard:DDEMod:MVlew:Y[:SCALE]:FULL	No equivalent command	
DISPlay:Standard:DDEMod:MVlew:Y[:SCALE]:OFFSet(?)	No equivalent command	

**Table F-36: DISPLAY:Standard:DDEMod subgroup ( :Standard = FL1XEVD0|:RL1XEVD0) (cont.)**

<b>RSA3000 commands</b>	<b>RSA6100A/RSA5100A commands</b>	<b>Description</b>
DISPlay:Standard:DDEMod:MVlew: Y[:SCALe]:PUNit(?)	No equivalent command	
DISPlay:Standard:DDEMod:MVlew: Y[:SCALe]:RANGe(?)	No equivalent command	
DISPlay:Standard:DDEMod:SVlew: FORMat(?)	No equivalent command	
DISPlay:Standard:DDEMod:SVlew: X[:SCALe]:OFFSet(?)	No equivalent command	
DISPlay:Standard:DDEMod:SVlew: X[:SCALe]:RANGe(?)	No equivalent command	
DISPlay:Standard:DDEMod:SVlew: Y[:SCALe]:FIT	No equivalent command	
DISPlay:Standard:DDEMod:SVlew: Y[:SCALe]:FULL	No equivalent command	
DISPlay:Standard:DDEMod:SVlew: Y[:SCALe]:OFFSet(?)	No equivalent command	
DISPlay:Standard:DDEMod:SVlew: Y[:SCALe]:RANGe(?)	No equivalent command	

**Table F-37: DISPLAY:Standard:SPECTrum subgroup ( :Standard = FL1XEVD0|:RL1XEVD0)**

<b>RSA3000 commands</b>	<b>RSA6100A/RSA5100A commands</b>	<b>Description</b>
DISPlay:Standard:SPECTrum:X[: SCALe]:OFFSet(?)	No equivalent command	
DISPlay:Standard:SPECTrum:X[: SCALe]:PDIVision(?)	No equivalent command	
DISPlay:Standard:SPECTrum:Y[: SCALe]:FIT	No equivalent command	
DISPlay:Standard:SPECTrum:Y[: SCALe]:FULL	No equivalent command	
DISPlay:Standard:SPECTrum:Y[: SCALe]:OFFSet(?)	No equivalent command	
DISPlay:Standard:SPECTrum:Y[: SCALe]:PDIVision(?)	No equivalent command	

**Table F-38: DISPlay:FL1XEVD0:WAVEform subgroup**

<b>RSA3000 commands</b>	<b>RSA6100A/RSA5100A commands</b>	<b>Description</b>
DISPlay:FL1XEVD0:WAVEform:X[: SCALE]:OFFSet(?)	No equivalent command	
DISPlay:FL1XEVD0:WAVEform:X[: SCALE]:PDIVision(?)	No equivalent command	
DISPlay:FL1XEVD0:WAVEform:Y[: SCALE]:FIT	No equivalent command	
DISPlayFL1XEVD0:WAVEform:Y[: SCALE]:FULL	No equivalent command	
DISPlay:FL1XEVD0:WAVEform:Y[: SCALE]:OFFSet(?)	No equivalent command	
DISPlay:FL1XEVD0:WAVEform:Y[: SCALE]:PDIVision(?)	No equivalent command	



## Option 30 3GPP-R5 analysis related commands.

Table F-39: DISPlay:AC3Gpp subgroup

RSA3000 commands	RSA6100A/RSA5100A commands	Description
DISPlay:AC3Gpp:X[:SCALe]:OFFSet(?)	No equivalent command	
DISPlay:AC3Gpp:X[:SCALe]:RANGe(?)	No equivalent command	
DISPlay:AC3Gpp:Y[:SCALe]:FIT	No equivalent command	
DISPlay:AC3Gpp:Y[:SCALe]:FULL	No equivalent command	
DISPlay:AC3Gpp:Y[:SCALe]:OFFSet(?)	No equivalent command	
DISPlay:AC3Gpp:Y[:SCALe]:RANGe(?)	No equivalent command	

Table F-40: DISPlay:DLR5\_3GPP subgroup

RSA3000 commands	RSA6100A/RSA5100A commands	Description
DISPlay:DLR5_3GPP:AVIew:CCODE(?)	No equivalent command	
DISPlay:DLR5_3GPP:AVIew:MSLot:HEAD(?)	No equivalent command	
DISPlay:DLR5_3GPP:AVIew:MSLot[:STATe](?)	No equivalent command	
DISPlay:DLR5_3GPP:AVIew:SHORTcode(?)	No equivalent command	
DISPlay:DLR5_3GPP:AVIew:SRATe(?)	No equivalent command	
DISPlay:DLR5_3GPP:AVIew:SSCHpart(?)	No equivalent command	
DISPlay:DLR5_3GPP:AVIew:TSLot(?)	No equivalent command	
DISPlay:DLR5_3GPP:MVIew: SVIew:COLor[:SCALe]:OFFSet(?)	No equivalent command	
DISPlay:DLR5_3GPP:MVIew: SVIew:COLor[:SCALe]:RANGe(?)	No equivalent command	
DISPlay:DLR5_3GPP:MVIew: SVIew:FORMat(?)	No equivalent command	
DISPlay:DLR5_3GPP:MVIew: SVIew:RADix(?)	No equivalent command	
DISPlay:DLR5_3GPP:MVIew: SVIew:X[:SCALe]:OFFSet(?)	No equivalent command	

**Table F-40: DISPlay:DLR5\_3GPP subgroup (cont.)**

<b>RSA3000 commands</b>	<b>RSA6100A/RSA5100A commands</b>	<b>Description</b>
DISPlay:DLR5_3GPP:MVlew:  SVlew:X[:SCALe]:RANGe(?)	No equivalent command	
DISPlay:DLR5_3GPP:MVlew:  SVlew:Y[:SCALe]:FIT	No equivalent command	
DISPlay:DLR5_3GPP:MVlew:  SVlew:Y[:SCALe]:FULL	No equivalent command	
DISPlay:DLR5_3GPP:MVlew:  SVlew:Y[:SCALe]:OFFSet(?)	No equivalent command	
DISPlay:DLR5_3GPP:MVlew:  SVlew:Y[:SCALe]:PUNit(?)	No equivalent command	
DISPlay:DLR5_3GPP:MVlew:  SVlew:Y[:SCALe]:RANGe(?)	No equivalent command	

**Table F-41: DISPlay:Standard subgroup (3GPP-R5)**

<b>RSA3000 commands</b>	<b>RSA6100A/RSA5100A commands</b>	<b>Description</b>
DISPlay:Standard:SPECTrum:X[: SCALe]:OFFSet(?)	No equivalent command	
DISPlay:Standard:SPECTrum:X[: SCALe]:PDIVision(?)	No equivalent command	
DISPlay:Standard:SPECTrum:Y[: SCALe]:FIT	No equivalent command	
DISPlay:Standard:SPECTrum:Y[: SCALe]:FULL	No equivalent command	
DISPlay:Standard:SPECTrum:Y[: SCALe]:OFFSet(?)	No equivalent command	
DISPlay:Standard:SPECTrum:Y[: SCALe]:PDIVision(?)	No equivalent command	

**Table F-42: DISPlay:UL3Gpp subgroup**

<b>RSA3000 commands</b>	<b>RSA6100A/RSA5100A commands</b>	<b>Description</b>
DISPlay:UL3Gpp:AVlew: SHORTcode(?)	No equivalent command	
DISPlay:UL3Gpp:AVlew:SRATe(?)	No equivalent command	
DISPlay:UL3Gpp:AVlew:TSLot(?)	No equivalent command	
DISPlay:UL3Gpp:MVlew:COLor[: SCALe]:OFFSet(?)	No equivalent command	

**Table F-42: DISPLAY:UL3Gpp subgroup (cont.)**

<b>RSA3000 commands</b>	<b>RSA6100A/RSA5100A commands</b>	<b>Description</b>
DISPlay:UL3Gpp:MView:COLor[:SCALe]:RANGe(?)	No equivalent command	
DISPlay:UL3Gpp:MView:FORMat(?)	No equivalent command	
DISPlay:UL3Gpp:MView:RADix(?)	No equivalent command	
DISPlay:UL3Gpp:MView:X[:SCALe]:OFFSet(?)	No equivalent command	
DISPlay:UL3Gpp:MView:X[:SCALe]:RANGe(?)	No equivalent command	
DISPlay:UL3Gpp:MView:Y[:SCALe]:FIT	No equivalent command	
DISPlay:UL3Gpp:MView:Y[:SCALe]:FULL	No equivalent command	
DISPlay:UL3Gpp:MView:Y[:SCALe]:OFFSet(?)	No equivalent command	
DISPlay:UL3Gpp:MView:Y[:SCALe]:PUNit(?)	No equivalent command	
DISPlay:UL3Gpp:MView:Y[:SCALe]:RANGe(?)	No equivalent command	
DISPlay:UL3Gpp:SVlew:COLor[:SCALe]:OFFSet(?)	No equivalent command	
DISPlay:UL3Gpp:SVlew:COLor[:SCALe]:RANGe(?)	No equivalent command	
DISPlay:UL3Gpp:SVlew:FORMat(?)	No equivalent command	
DISPlay:UL3Gpp:SVlew:RADix(?)	No equivalent command	
DISPlay:UL3Gpp:SVlew:X[:SCALe]:OFFSet(?)	No equivalent command	
DISPlay:UL3Gpp:SVlew:X[:SCALe]:RANGe(?)	No equivalent command	
DISPlay:UL3Gpp:SVlew:Y[:SCALe]:FIT	No equivalent command	
DISPlay:UL3Gpp:SVlew:Y[:SCALe]:FULL	No equivalent command	
DISPlay:UL3Gpp:SVlew:Y[:SCALe]:OFFSet(?)	No equivalent command	
DISPlay:UL3Gpp:SVlew:Y[:SCALe]:PUNit(?)	No equivalent command	
DISPlay:UL3Gpp:SVlew:Y[:SCALe]:RANGe(?)	No equivalent command	

**Table F-43: DISPlay:ULR5\_3GPP subgroup**

<b>RSA3000 commands</b>	<b>RSA6100A/RSA5100A commands</b>	<b>Description</b>
DISPlay:ULR5_3GPP:AVIew: CNUMber(?)	No equivalent command	
DISPlay:ULR5_3GPP:AVIew: SRATe(?)	No equivalent command	
DISPlay:ULR5_3GPP:AVIew: TSLot(?)	No equivalent command	
DISPlay:ULR5_3GPP:MVIew:  SVIew:COLor[:SCALe]:OFFSet(?)	No equivalent command	
DISPlay:ULR5_3GPP:MVIew:  SVIew:COLor[:SCALe]:RANGe(?)	No equivalent command	
DISPlay:ULR5_3GPP:MVIew:  SVIew:FORMat(?)	No equivalent command	
DISPlay:ULR5_3GPP:MVIew:  SVIew:RADix(?)	No equivalent command	
DISPlay:ULR5_3GPP:MVIew:  SVIew:X[:SCALe]:OFFSet(?)	No equivalent command	
DISPlay:ULR5_3GPP:MVIew:  SVIew:X[:SCALe]:RANGe(?)	No equivalent command	
DISPlay:ULR5_3GPP:MVIew:  SVIew:Y[:SCALe]:FIT	No equivalent command	
DISPlay:ULR5_3GPP:MVIew:  SVIew:Y[:SCALe]:FULL	No equivalent command	
DISPlay:ULR5_3GPP:MVIew:  SVIew:Y[:SCALe]:OFFSet(?)	No equivalent command	
DISPlay:ULR5_3GPP:MVIew:  SVIew:Y[:SCALe]:PUNit(?)	No equivalent command	
DISPlay:ULR5_3GPP:MVIew:  SVIew:Y[:SCALe]:RANGe(?)	No equivalent command	

## Option 28 TD-SCDMA analysis related commands.

Table F-44: DISPlay:TD\_SCDMA:DDEMod subgroup

RSA3000 commands	RSA6100A/RSA5100A commands	Description
DISPlay:TD_SCDMA:DDEMod: MVleW:FORMat(?)	No equivalent command	
DISPlay:TD_SCDMA:DDEMod: MVleW:RADix(?)	No equivalent command	
DISPlay:TD_SCDMA:DDEMod: MVleW:X[:SCALe]:OFFSet(?)	No equivalent command	
DISPlay:TD_SCDMA:DDEMod: MVleW:X[:SCALe]:PDIVision(?)	No equivalent command	
DISPlay:TD_SCDMA:DDEMod: MVleW:X[:SCALe]:RANGe(?)	No equivalent command	
DISPlay:TD_SCDMA:DDEMod: MVleW:Y[:SCALe]:FIT	No equivalent command	
DISPlay:TD_SCDMA:DDEMod: MVleW:Y[:SCALe]:FULL	No equivalent command	
DISPlay:TD_SCDMA:DDEMod: MVleW:Y[:SCALe]:OFFSet(?)	No equivalent command	
DISPlay:TD_SCDMA:DDEMod: MVleW:Y[:SCALe]:PDIVision(?)	No equivalent command	
DISPlay:TD_SCDMA:DDEMod: MVleW:Y[:SCALe]:PUNit(?)	No equivalent command	
DISPlay:TD_SCDMA:DDEMod: MVleW:Y[:SCALe]:RANGe(?)	No equivalent command	
DISPlay:TD_SCDMA:DDEMod: MVleW:ZOOM:MCONtrol[:STARt]	No equivalent command	
DISPlay:TD_SCDMA:DDEMod: MVleW:ZOOM:MCONtrol:END	No equivalent command	
DISPlay:TD_SCDMA:DDEMod: MVleW:ZOOM:MCONtrol:MRPower	No equivalent command	
DISPlay:TD_SCDMA:DDEMod: MVleW:ZOOM:MCONtrol:OPOWer	No equivalent command	
DISPlay:TD_SCDMA:DDEMod: MVleW:ZOOM:TSLot[:STARt]	No equivalent command	
DISPlay:TD_SCDMA:DDEMod: SVleW:FORMat(?)	No equivalent command	
DISPlay:TD_SCDMA:DDEMod: SVleW:RADix(?)	No equivalent command	

**Table F-44: DISPlay:TD\_SCDMA:DDEMod subgroup (cont.)**

<b>RSA3000 commands</b>	<b>RSA6100A/RSA5100A commands</b>	<b>Description</b>
DISPlay:TD_SCDMA:DDEMod: SVIew:X[:SCALe]:OFFSet(?)	No equivalent command	
DISPlay:TD_SCDMA:DDEMod: SVIew:X[:SCALe]:PDIVision(?)	No equivalent command	
DISPlay:TD_SCDMA:DDEMod: SVIew:X[:SCALe]:RANGe(?)	No equivalent command	
DISPlay:TD_SCDMA:DDEMod: SVIew:Y[:SCALe]:FIT	No equivalent command	
DISPlay:TD_SCDMA:DDEMod: SVIew:Y[:SCALe]:FULL	No equivalent command	
DISPlay:TD_SCDMA:DDEMod: SVIew:Y[:SCALe]:OFFSet(?)	No equivalent command	
DISPlay:TD_SCDMA:DDEMod: SVIew:Y[:SCALe]:PDIVision(?)	No equivalent command	
DISPlay:TD_SCDMA:DDEMod: SVIew:Y[:SCALe]:PUNit(?)	No equivalent command	
DISPlay:TD_SCDMA:DDEMod: SVIew:Y[:SCALe]:RANGe(?)	No equivalent command	
DISPlay:TD_SCDMA:DDEMod: SVIew:ZOOM:MCONtrol[:STARt]	No equivalent command	
DISPlay:TD_SCDMA:DDEMod: SVIew:ZOOM:MCONtrol:END	No equivalent command	
DISPlay:TD_SCDMA:DDEMod: SVIew:ZOOM:TSLot[:STARt]	No equivalent command	

**Table F-45: DISPlay:TD\_SCDMA:SPECtrum subgroup**

<b>RSA3000 commands</b>	<b>RSA6100A/RSA5100A commands</b>	<b>Description</b>
DISPlay:TD_SCDMA:SPECtrum:X[: SCALe]:OFFSet(?)	No equivalent command	
DISPlay:TD_SCDMA:SPECtrum:X[: SCALe]:PDIVision(?)	No equivalent command	
DISPlay:TD_SCDMA:SPECtrum:Y[: SCALe]:FIT	No equivalent command	
DISPlay:TD_SCDMA:SPECtrum:Y[: SCALe]:FULL	No equivalent command	
DISPlay:TD_SCDMA:SPECtrum:Y[: SCALe]:OFFSet(?)	No equivalent command	
DISPlay:TD_SCDMA:SPECtrum:Y[: SCALe]:PDIVision(?)	No equivalent command	

## Option 29 WLAN analysis related commands.

Table F-46: DISPlay:M2WLAN:DDEMod subgroup

RSA3000 commands	RSA6100A/RSA5100A commands	Description
DISPlay:M2WLAN:DDEMod:MVlew: MCONtent(?)	No equivalent command	
DISPlay:M2WLAN:DDEMod:MVlew: RADix(?)	No equivalent command	
DISPlay:M2WLAN:DDEMod:MVlew: RXANtenna[:SElect](?)	No equivalent command	
DISPlay:M2WLAN:DDEMod:MVlew: TYPE(?)	No equivalent command	
DISPlay:M2WLAN:DDEMod:MVlew: X[:SCALE]:OFFSet(?)	No equivalent command	
DISPlay:M2WLAN:DDEMod:MVlew: X[:SCALE]:PDIVision(?)	No equivalent command	
DISPlay:M2WLAN:DDEMod:MVlew: X[:SCALE]:RANGe(?)	No equivalent command	
DISPlay:M2WLAN:DDEMod:MVlew: Y[:SCALE]:FIT	No equivalent command	
DISPlay:M2WLAN:DDEMod:MVlew: Y[:SCALE]:FULL	No equivalent command	
DISPlay:M2WLAN:DDEMod:MVlew: Y[:SCALE]:OFFSet(?)	No equivalent command	
DISPlay:M2WLAN:DDEMod:MVlew: Y[:SCALE]:PDIVision(?)	No equivalent command	
DISPlay:M2WLAN:DDEMod:MVlew: Y[:SCALE]:PWUNit(?)	No equivalent command	
DISPlay:M2WLAN:DDEMod:MVlew: Y[:SCALE]:RANGe(?)	No equivalent command	
DISPlay:M2WLAN:DDEMod:MVlew: Y[:SCALE]:UNIT(?)	No equivalent command	
DISPlay:M2WLAN:DDEMod:SVlew: FORMat(?)	No equivalent command	
DISPlay:M2WLAN:DDEMod:SVlew: MCONtent(?)	No equivalent command	
DISPlay:M2WLAN:DDEMod:SVlew: RADix(?)	No equivalent command	
DISPlay:M2WLAN:DDEMod:SVlew: RXANtenna[:SElect](?)	No equivalent command	

**Table F-46: DISPlay:M2WLAN:DDEMod subgroup (cont.)**

<b>RSA3000 commands</b>	<b>RSA6100A/RSA5100A commands</b>	<b>Description</b>
DISPlay:M2WLAN:DDEMod:SVlew: X[:SCALe]:OFFSet(?)	No equivalent command	
DISPlay:M2WLAN:DDEMod:SVlew: X[:SCALe]:PDIVision(?)	No equivalent command	
DISPlay:M2WLAN:DDEMod:SVlew: X[:SCALe]:RANGe(?)	No equivalent command	
DISPlay:M2WLAN:DDEMod:SVlew: Y[:SCALe]:FIT	No equivalent command	
DISPlay:M2WLAN:DDEMod:SVlew: Y[:SCALe]:FULL	No equivalent command	
DISPlay:M2WLAN:DDEMod:SVlew: Y[:SCALe]:OFFSet(?)	No equivalent command	
DISPlay:M2WLAN:DDEMod:SVlew: Y[:SCALe]:PDIVision(?)	No equivalent command	
DISPlay:M2WLAN:DDEMod:SVlew: Y[:SCALe]:PWUNit(?)	No equivalent command	
DISPlay:M2WLAN:DDEMod:SVlew: Y[:SCALe]:RANGe(?)	No equivalent command	
DISPlay:M2WLAN:DDEMod:SVlew: Y[:SCALe]:UNIT(?)	No equivalent command	

**Table F-47: DISPlay:M2WLAN:TFRequency subgroup**

<b>RSA3000 commands</b>	<b>RSA6100A/RSA5100A commands</b>	<b>Description</b>
DISPlay:M2WLAN:TFRequency: ATGRam:COLor[:SCALe]:OFFSet(?)	No equivalent command	
DISPlay:M2WLAN:TFRequency: ATGRam:COLor[:SCALe]:RANGe(?)	No equivalent command	
DISPlay:M2WLAN:TFRequency: ATGRam:X[:SCALe]:OFFSet(?)	No equivalent command	
DISPlay:M2WLAN:TFRequency: ATGRam:X[:SCALe]:RANGe(?)	No equivalent command	
DISPlay:M2WLAN:TFRequency: ATGRam:Y[:SCALe]:OFFSet(?)	No equivalent command	
DISPlay:M2WLAN:TFRequency: ATGRam:Y[:SCALe]:PLINe(?)	No equivalent command	
DISPlay:M2WLAN:TFRequency: DGRam:COLor[:SCALe]:OFFSet(?)	No equivalent command	



**Table F-47: DISPLAY:M2WLAN:TFRrequency subgroup (cont.)**

<b>RSA3000 commands</b>	<b>RSA6100A/RSA5100A commands</b>	<b>Description</b>
DISPlay:M2WLAN:TFRrequency: DGRam:COLor[:SCALe]:RANGe(?)	No equivalent command	
DISPlay:M2WLAN:TFRrequency: DGRam:X[:SCALe]:OFFSet(?)	No equivalent command	
DISPlay:M2WLAN:TFRrequency: DGRam:X[:SCALe]:RANGe(?)	No equivalent command	
DISPlay:M2WLAN:TFRrequency: DGRam:Y[:SCALe]:OFFSet(?)	No equivalent command	
DISPlay:M2WLAN:TFRrequency: DGRam:Y[:SCALe]:PLINe(?)	No equivalent command	
DISPlay:M2WLAN:TFRrequency: PTGRam:COLor[:SCALe]:OFFSet(?)	No equivalent command	
DISPlay:M2WLAN:TFRrequency: PTGRam:COLor[:SCALe]:RANGe(?)	No equivalent command	
DISPlay:M2WLAN:TFRrequency: PTGRam:X[:SCALe]:OFFSet(?)	No equivalent command	
DISPlay:M2WLAN:TFRrequency: PTGRam:X[:SCALe]:RANGe(?)	No equivalent command	
DISPlay:M2WLAN:TFRrequency: PTGRam:Y[:SCALe]:OFFSet(?)	No equivalent command	
DISPlay:M2WLAN:TFRrequency: PTGRam:Y[:SCALe]:PLINe(?)	No equivalent command	

**Table F-48: DISPLAY:SWLAN:DDEMod subgroup**

<b>RSA3000 commands</b>	<b>RSA6100A/RSA5100A commands</b>	<b>Description</b>
DISPlay:SWLAN:DDEMod:MVlew: FORMat(?)	No equivalent command	
DISPlay:SWLAN:DDEMod:MVlew: MCONtent(?)	No equivalent command	
DISPlay:SWLAN:DDEMod:MVlew: RADix(?)	No equivalent command	
DISPlay:SWLAN:DDEMod:MVlew: TYPE(?)	No equivalent command	
DISPlay:SWLAN:DDEMod:MVlew: X[:SCALe]:CHANnel:BANDwidth: BWIDth(?)	No equivalent command	
DISPlay:SWLAN:DDEMod:MVlew: X[:SCALe]:CPOSition(?)	No equivalent command	

**Table F-48: DISPlay:SWLAN:DDEMod subgroup (cont.)**

<b>RSA3000 commands</b>	<b>RSA6100A/RSA5100A commands</b>	<b>Description</b>
DISPlay:SWLAN:DDEMod:MVlew: X[:SCALe]:OFFSet(?)	No equivalent command	
DISPlay:SWLAN:DDEMod:MVlew: X[:SCALe]:PDIVision(?)	No equivalent command	
DISPlay:SWLAN:DDEMod:MVlew: X[:SCALe]:RANGe(?)	No equivalent command	
DISPlay:SWLAN:DDEMod:MVlew: Y[:SCALe]:FIT	No equivalent command	
DISPlay:SWLAN:DDEMod:MVlew: Y[:SCALe]:FULL	No equivalent command	
DISPlay:SWLAN:DDEMod:MVlew: Y[:SCALe]:OFFSet(?)	No equivalent command	
DISPlay:SWLAN:DDEMod:MVlew: Y[:SCALe]:PDIVision(?)	No equivalent command	
DISPlay:SWLAN:DDEMod:MVlew: Y[:SCALe]:PWUNit(?)	No equivalent command	
DISPlay:SWLAN:DDEMod:MVlew: Y[:SCALe]:RANGe(?)	No equivalent command	
DISPlay:SWLAN:DDEMod:MVlew: Y[:SCALe]:UNIT(?)	No equivalent command	
DISPlay:SWLAN:DDEMod:SVlew: FORMat(?)	No equivalent command	
DISPlay:SWLAN:DDEMod:SVlew: MCONtent(?)	No equivalent command	
DISPlay:SWLAN:DDEMod:SVlew: RADix(?)	No equivalent command	
DISPlay:SWLAN:DDEMod:SVlew: X[:SCALe]:CHANnel:Bandwidth: BWIDth(?)	No equivalent command	
DISPlay:SWLAN:DDEMod:SVlew: X[:SCALe]:CPOSition(?)	No equivalent command	
DISPlay:SWLAN:DDEMod:SVlew: X[:SCALe]:OFFSet(?)	No equivalent command	
DISPlay:SWLAN:DDEMod:SVlew: X[:SCALe]:PDIVision(?)	No equivalent command	
DISPlay:SWLAN:DDEMod:SVlew: X[:SCALe]:RANGe(?)	No equivalent command	
DISPlay:SWLAN:DDEMod:SVlew: Y[:SCALe]:FIT	No equivalent command	

**Table F-48: DISPlay:SWLAN:DDEMod subgroup (cont.)**

<b>RSA3000 commands</b>	<b>RSA6100A/RSA5100A commands</b>	<b>Description</b>
DISPlay:SWLAN:DDEMod:SVlew: Y[:SCALe]:FULL	No equivalent command	
DISPlay:SWLAN:DDEMod:SVlew: Y[:SCALe]:OFFSet(?)	No equivalent command	
DISPlay:SWLAN:DDEMod:SVlew: Y[:SCALe]:PDIVision(?)	No equivalent command	
DISPlay:SWLAN:DDEMod:SVlew: Y[:SCALe]:PWUNit(?)	No equivalent command	
DISPlay:SWLAN:DDEMod:SVlew: Y[:SCALe]:RANGe(?)	No equivalent command	
DISPlay:SWLAN:DDEMod:SVlew: Y[:SCALe]:UNIT(?)	No equivalent command	

**Table F-49: DISPlay:SWLAN:SPECtrum subgroup**

<b>RSA3000 commands</b>	<b>RSA6100A/RSA5100A commands</b>	<b>Description</b>
DISPlay:SWLAN:SPECtrum:X[: SCALe]:OFFSet(?)	No equivalent command	
DISPlay:SWLAN:SPECtrum:X[: SCALe]:PDIVision(?)	No equivalent command	
DISPlay:SWLAN:SPECtrum:Y[: SCALe]:FIT	No equivalent command	
DISPlay:SWLAN:SPECtrum:Y[: SCALe]:FULL	No equivalent command	
DISPlay:SWLAN:SPECtrum:Y[: SCALe]:OFFSet(?)	No equivalent command	
DISPlay:SWLAN:SPECtrum:Y[: SCALe]:PDIVision(?)	No equivalent command	

**Table F-50: DISPlay:SWLAN:TFRequency subgroup**

<b>RSA3000 commands</b>	<b>RSA6100A/RSA5100A commands</b>	<b>Description</b>
DISPlay:SWLAN:TFRequency: ATGRam:COLor[:SCALe]:OFFSet(?)	No equivalent command	
DISPlay:SWLAN:TFRequency: ATGRam:COLor[:SCALe]:RANGe(?)	No equivalent command	
DISPlay:SWLAN:TFRequency: ATGRam:X[:SCALe]:OFFSet(?)	No equivalent command	
DISPlay:SWLAN:TFRequency: ATGRam:X[:SCALe]:RANGe(?)	No equivalent command	

**Table F-50: DISPlay:SWLAN:TFRrequency subgroup (cont.)**

<b>RSA3000 commands</b>	<b>RSA6100A/RSA5100A commands</b>	<b>Description</b>
DISPlay:SWLAN:TFRrequency: ATGRam:Y[:SCALe]:OFFSet(?)	No equivalent command	
DISPlay:SWLAN:TFRrequency: ATGRam:Y[:SCALe]:PLINe(?)	No equivalent command	
DISPlay:SWLAN:TFRrequency: DGRam:COLor[:SCALe]:OFFSet(?)	No equivalent command	
DISPlay:SWLAN:TFRrequency: DGRam:COLor[:SCALe]:RANGe(?)	No equivalent command	
DISPlay:SWLAN:TFRrequency: DGRam:X[:SCALe]:OFFSet(?)	No equivalent command	
DISPlay:SWLAN:TFRrequency: DGRam:X[:SCALe]:RANGe(?)	No equivalent command	
DISPlay:SWLAN:TFRrequency: DGRam:Y[:SCALe]:OFFSet(?)	No equivalent command	
DISPlay:SWLAN:TFRrequency: DGRam:Y[:SCALe]:PLINe(?)	No equivalent command	
DISPlay:SWLAN:TFRrequency: PTGRam:COLor[:SCALe]:OFFSet(?)	No equivalent command	
DISPlay:SWLAN:TFRrequency: PTGRam:COLor[:SCALe]:RANGe(?)	No equivalent command	
DISPlay:SWLAN:TFRrequency: PTGRam:X[:SCALe]:OFFSet(?)	No equivalent command	
DISPlay:SWLAN:TFRrequency: PTGRam:X[:SCALe]:RANGe(?)	No equivalent command	
DISPlay:SWLAN:TFRrequency: PTGRam:Y[:SCALe]:OFFSet(?)	No equivalent command	
DISPlay:SWLAN:TFRrequency: PTGRam:Y[:SCALe]:PLINe(?)	No equivalent command	

**Table F-51: DISPlay:WLAN:DDEMod subgroup**

<b>RSA3000 commands</b>	<b>RSA6100A/RSA5100A commands</b>	<b>Description</b>
DISPlay:WLAN:DDEMod:MVlew: FORMat(?)	No equivalent command	
DISPlay:WLAN:DDEMod:MVlew: MCONtent(?)	No equivalent command	
DISPlay:WLAN:DDEMod:MVlew: RADix(?)	No equivalent command	

**Table F-51: DISPLAY:WLAN:DDEMod subgroup (cont.)**

<b>RSA3000 commands</b>	<b>RSA6100A/RSA5100A commands</b>	<b>Description</b>
DISPlay:WLAN:DDEMod:MVlew:X[:SCALe]:OFFSet(?)	No equivalent command	
DISPlay:WLAN:DDEMod:MVlew:X[:SCALe]:PDIVision(?)	No equivalent command	
DISPlay:WLAN:DDEMod:MVlew:X[:SCALe]:RANGe(?)	No equivalent command	
DISPlay:WLAN:DDEMod:MVlew:Y[:SCALe]:FIT	No equivalent command	
DISPlay:WLAN:DDEMod:MVlew:Y[:SCALe]:FULL	No equivalent command	
DISPlay:WLAN:DDEMod:MVlew:Y[:SCALe]:OFFSet(?)	No equivalent command	
DISPlay:WLAN:DDEMod:MVlew:Y[:SCALe]:PDIVision(?)	No equivalent command	
DISPlay:WLAN:DDEMod:MVlew:Y[:SCALe]:RANGe(?)	No equivalent command	
DISPlay:WLAN:DDEMod:SVlew:FORMat(?)	No equivalent command	
DISPlay:WLAN:DDEMod:SVlew:MCONtent(?)	No equivalent command	
DISPlay:WLAN:DDEMod:SVlew:RADix(?)	No equivalent command	
DISPlay:WLAN:DDEMod:SVlew:X[:SCALe]:OFFSet(?)	No equivalent command	
DISPlay:WLAN:DDEMod:SVlew:X[:SCALe]:PDIVision(?)	No equivalent command	
DISPlay:WLAN:DDEMod:SVlew:X[:SCALe]:RANGe(?)	No equivalent command	
DISPlay:WLAN:DDEMod:SVlew:Y[:SCALe]:FIT	No equivalent command	
DISPlay:WLAN:DDEMod:SVlew:Y[:SCALe]:FULL	No equivalent command	
DISPlay:WLAN:DDEMod:SVlew:Y[:SCALe]:OFFSet(?)	No equivalent command	
DISPlay:WLAN:DDEMod:SVlew:Y[:SCALe]:PDIVision(?)	No equivalent command	
DISPlay:WLAN:DDEMod:SVlew:Y[:SCALe]:RANGe(?)	No equivalent command	

**Table F-52: DISPlay:WLAN:SPECTrum subgroup**

<b>RSA3000 commands</b>	<b>RSA6100A/RSA5100A commands</b>	<b>Description</b>
DISPlay:WLAN:SPECTrum:X[:SCALe]:OFFSet(?)	No equivalent command	
DISPlay:WLAN:SPECTrum:X[:SCALe]:PDIVision(?)	No equivalent command	
DISPlay:WLAN:SPECTrum:Y[:SCALe]:FIT	No equivalent command	
DISPlay:WLAN:SPECTrum:Y[:SCALe]:FULL	No equivalent command	
DISPlay:WLAN:SPECTrum:Y[:SCALe]:OFFSet(?)	No equivalent command	
DISPlay:WLAN:SPECTrum:Y[:SCALe]:PDIVision(?)	No equivalent command	

## Option 40 3GPP-R6 analysis related commands.

Table F-53: DISPlay:DLR6\_3GPP subgroup

RSA3000 commands	RSA6100A/RSA5100A commands	Description
DISPlay:DLR6_3GPP:AVIew:CCODE(?)	No equivalent command	
DISPlay:DLR6_3GPP:AVIew:MSLot:HEAD(?)	No equivalent command	
DISPlay:DLR6_3GPP:AVIew:MSLot[:STATe](?)	No equivalent command	
DISPlay:DLR6_3GPP:AVIew:RESult:AGSCOpe(?)	No equivalent command	
DISPlay:DLR6_3GPP:AVIew:RESult:AGValue(?)	No equivalent command	
DISPlay:DLR6_3GPP:AVIew:RESult:ANACK(?)	No equivalent command	
DISPlay:DLR6_3GPP:AVIew:RESult:RGRant(?)	No equivalent command	
DISPlay:DLR6_3GPP:AVIew:RESult:SCGRoup(?)	No equivalent command	
DISPlay:DLR6_3GPP:AVIew:RESult:SCNumber(?)	No equivalent command	
DISPlay:DLR6_3GPP:AVIew:RESult:SSCH(?)	No equivalent command	
DISPlay:DLR6_3GPP:AVIew:SRATe(?)	No equivalent command	
DISPlay:DLR6_3GPP:AVIew:SSCHpart(?)	No equivalent command	
DISPlay:DLR6_3GPP:AVIew:TSLot(?)	No equivalent command	
DISPlay:DLR6_3GPP:MVleW: SVleW:COLor[:SCALe]:OFFSet(?)	No equivalent command	
DISPlay:DLR6_3GPP:MVleW: SVleW:COLor[:SCALe]:RANGe(?)	No equivalent command	
DISPlay:DLR6_3GPP:MVleW: SVleW:FORMat(?)	No equivalent command	
DISPlay:DLR6_3GPP:MVleW: SVleW:RADix(?)	No equivalent command	
DISPlay:DLR6_3GPP:MVleW: SVleW:X[:SCALe]:OFFSet(?)	No equivalent command	

**Table F-53: DISPlay:DLR6\_3GPP subgroup (cont.)**

<b>RSA3000 commands</b>	<b>RSA6100A/RSA5100A commands</b>	<b>Description</b>
DISPlay:DLR6_3GPP:MVlew:  SVlew:X[:SCALe]:RANGe(?)	No equivalent command	
DISPlay:DLR6_3GPP:MVlew:  SVlew:Y[:SCALe]:FIT	No equivalent command	
DISPlay:DLR6_3GPP:MVlew:  SVlew:Y[:SCALe]:FULL	No equivalent command	
DISPlay:DLR6_3GPP:MVlew:  SVlew:Y[:SCALe]:OFFSet(?)	No equivalent command	
DISPlay:DLR6_3GPP:MVlew:  SVlew:Y[:SCALe]:PUNit(?)	No equivalent command	
DISPlay:DLR6_3GPP:MVlew:  SVlew:Y[:SCALe]:RANGe(?)	No equivalent command	

**Table F-54: DISPlay:ULR6\_3GPP subgroup**

<b>RSA3000 commands</b>	<b>RSA6100A/RSA5100A commands</b>	<b>Description</b>
DISPlay:ULR6_3GPP:AVlew: CCODE(?)	No equivalent command	
DISPlay:ULR6_3GPP:AVlew: CNUMBER(?)	No equivalent command	
DISPlay:ULR6_3GPP:AVlew: FORMat(?)	No equivalent command	
DISPlay:ULR6_3GPP:AVlew: IQBRanch(?)	No equivalent command	
DISPlay:ULR6_3GPP:AVlew: RESult:ANACK(?)	No equivalent command	
DISPlay:ULR6_3GPP:AVlew: RESult:CQI(?)	No equivalent command	
DISPlay:ULR6_3GPP:AVlew: RESult:ETFCi(?)	No equivalent command	
DISPlay:ULR6_3GPP:AVlew: RESult:HAPPy(?)	No equivalent command	
DISPlay:ULR6_3GPP:AVlew: RESult:OFFSet(?)	No equivalent command	
DISPlay:ULR6_3GPP:AVlew: RESult:PREAmble(?)	No equivalent command	
DISPlay:ULR6_3GPP:AVlew: RESult:RSN(?)	No equivalent command	



Table F-54: DISPLAY:ULR6\_3GPP subgroup (cont.)

RSA3000 commands	RSA6100A/RSA5100A commands	Description
DISPlay:ULR6_3GPP:AVIew: RESult:SIGNature(?)	No equivalent command	
DISPlay:ULR6_3GPP:AVIew: RESult:TPC(?)	No equivalent command	
DISPlay:ULR6_3GPP:AVIew: SRATe(?)	No equivalent command	
DISPlay:ULR6_3GPP:AVIew: TSLot(?)	No equivalent command	
DISPlay:ULR6_3GPP:MVIew:  SVIew:COLor[:SCALe]:OFFSet(?)	No equivalent command	
DISPlay:ULR6_3GPP:MVIew:  SVIew:COLor[:SCALe]:RANGe(?)	No equivalent command	
DISPlay:ULR6_3GPP:MVIew:  SVIew:FORMat(?)	No equivalent command	
DISPlay:ULR6_3GPP:MVIew: SVIew:NUMBer(?)	No equivalent command	
DISPlay:ULR6_3GPP:MVIew: SVIew:PREFereNce(?)	No equivalent command	
DISPlay:ULR6_3GPP:MVIew:  SVIew:RADix(?)	No equivalent command	
DISPlay:ULR6_3GPP:MVIew:  SVIew:X[:SCALe]:LINE(?)	No equivalent command	
DISPlay:ULR6_3GPP:MVIew:  SVIew:X[:SCALe]:OFFSet(?)	No equivalent command	
DISPlay:ULR6_3GPP:MVIew:  SVIew:X[:SCALe]:RANGe(?)	No equivalent command	
DISPlay:ULR6_3GPP:MVIew:  SVIew:Y[:SCALe]:FIT	No equivalent command	
DISPlay:ULR6_3GPP:MVIew:  SVIew:Y[:SCALe]:FULL	No equivalent command	
DISPlay:ULR6_3GPP:MVIew:  SVIew:Y[:SCALe]:OFFSet(?)	No equivalent command	
DISPlay:ULR6_3GPP:MVIew:  SVIew:Y[:SCALe]:PUNit(?)	No equivalent command	
DISPlay:ULR6_3GPP:MVIew:  SVIew:Y[:SCALe]:RANGe(?)	No equivalent command	

## Fetch Command Group

Table F-55: Fetch commands

RSA3000 commands	RSA6100A/RSA5100A commands	Description
FETCh:ADEMod:AM?	FETCh:<Measurement>?	Returns the trace data in the AM/FM/PM measurement. For the RSA6100A series <Measurement> can be any one of the following, AM, FM, PM.
FETCh:ADEMod:AM:RESult?	FETCh:AM:RESult?	Returns the AM measurement results.
FETCh:ADEMod:FM?	FETCh:<Measurement>?	Returns the trace data in the AM/FM/PM measurement. For the RSA6100A series <Measurement> can be any one of the following, AM, FM, PM.
FETCh:ADEMod:FM:RESult?	FETCh:FM:RESult?	Returns the FM measurement results.
FETCh:ADEMod:PM?	FETCh:<Measurement>?	Returns the trace data in the AM/FM/PM measurement. For the RSA6100A series <Measurement> can be any one of the following, AM, FM, PM.
FETCh:ADEMod:PM:RESult?	FETCh:PM:RESult?	Returns the PM measurement results.
FETCh:ADEMod:PSPectrum?	No equivalent command	
FETCh:CCDF?	FETCh:CCDF?	Returns the CCDF measurement results. IN the RSA3000 series, the command returns only 3 values, whereas in the RSA6100A series, it returns 9 values; the first 3 values are same.
FETCh:DISTRibution:CCDF?	FETCh:CCDF: {FIRST SECond THIRd}:X?	Returns the CCDF trace data in the CCDF measurement.
FETCh:DPX:TRACe:AVERage?	FETCh:DPX:TRACe:AVERage?	Returns waveform data of the average trace in the DPX spectrum measurement.
FETCh:DPX:TRACe:MAXimum?	FETCh:DPX:TRACe:MAXimum?	Returns waveform data of the maximum trace in the DPX spectrum measurement.
FETCh:DPX:TRACe:MINimum?	FETCh:DPX:TRACe:MINimum?	Returns waveform data of the minimum trace in the DPX spectrum measurement.
FETCh:OVlew?	FETCh:TOVerview? FETCh:SGRam?	Returns the trace data. In the RSA3000 series, Overview represents either the Time window or spectrogram. Hence, the equivalent RSA6100A series commands need to be executed.
FETCh:PULSe?	FETCh:PULSe{:RESult}: <Measurement>?	Returns the result of the pulse characteristics analysis. In the RSA6100A series, <Measurement> can be any one of the following: WIDTH, RIPple, PPOWer, RINTerval.
FETCh:PULSe:SPECTrum?	No equivalent command	
FETCh:PULSe:TAMPlitude?	No equivalent command	
FETCh:PULSe:TFRequency?	No equivalent command	
FETCh:SPECTrum?	FETCh:SPECTrum:TRACe<x>?	Returns the trace data in the Spectrum measurement.

Table F-55: Fetch commands (cont.)

RSA3000 commands	RSA6100A/RSA5100A commands	Description
FETCh:SPECtrum:ACPower?	FETCh:ACPower?	Returns the trace data in the Spectrum measurement.
FETCh:SPECtrum:CFRequency?	No equivalent command	
FETCh:SPECtrum:CHPower?	FETCh:ACPower:CHANnel:POWer?	Returns the results of the channel power measurement in the S/A (spectrum analysis) mode.
FETCh:SPECtrum:CNRatio?	No equivalent command	
FETCh:SPECtrum:EBWidth?	No equivalent command	
FETCh:SPECtrum:OBWidth?	FETCh:OBWidth:SPECtrum?	Returns the results of the occupied bandwidth (OBW) measurement in the S/A (spectrum analysis) mode.
FETCh:SPECtrum:SEMask?	No equivalent command	
FETCh:SPECtrum:SEMask:RESult[ALL]?	No equivalent command	
FETCh:SPECtrum:SEMask:RESult:ZONE<x>?	No equivalent command	
FETCh:SPECtrum:SPURious?	FETCh:SPURious:COUNT? FETCh:SPURious:SPUR<x>:FREQuency:ABSolute? FETCh:SPURious:SPUR<x>:FREQuency:RELative?	Returns the results of the spurious signal measurement in the S/A (spectrum analysis) mode.
FETCh:TRANSient:FVTime?	FETCh:FVTime?	Returns the results of the frequency versus time measurement in the Time mode (time analysis).
FETCh:TRANSient:IQVTime?	FETCh:IQVTime:I? FETCh:IQVTime:Q?	Returns the results of the IQ level versus time measurement in the Time (time analysis) mode. For the RSA6100A series, the I data and Q data are retrieved separately.
FETCh:TRANSient:PVTime?	FETCh:AVTime: {FIRSt SECond THIRd FOURth}?	Returns the results of the power versus time measurement in the Time (time analysis) mode.
FETCh:AUDio:HARMonics?	No equivalent command	
FETCh:AUDio:HNRatio?	No equivalent command	
FETCh:AUDio:SNDRatio SINad?	No equivalent command	
FETCh:AUDio:SPECtrum:HARMonics?	No equivalent command	
FETCh:AUDio:SPECtrum:HNRatio?	No equivalent command	
FETCh:AUDio:SPECtrum:SNDRatio SINad?	No equivalent command	

**Table F-55: Fetch commands (cont.)**

<b>RSA3000 commands</b>	<b>RSA6100A/RSA5100A commands</b>	<b>Description</b>
FETCh:DDEMod? { IQVTime   FVTime   CONStE   EVM   AEVM   PEVM   MERRor   AMERRor   PMERRor   PERRor   APERRor   PPERror   RHO   SLENgth   FERRor   OOFFset   STABle   PVTime   AMAM   AMPM   CCDF   PDF   FSKDev   RMSError   FDEViation   MINDex }		Returns the results of the digital modulation analysis. The equivalent commands for the RSA3000 series and the RSA5100A/RAS6100A command are listed below
	<i>RSA3000 Series</i>	<i>RSA5100A/RSA6100A Series</i>
	FETCh:DDEMod? IQVTime	FETCh:DIQVtime:I?,FETCh:DIQVtime:Q?
	FETCh:DDEMod? FVTime	FETCh:FDVTime:TRACe?
	FETCh:DDEMod? CONStE	FETCh:CONStE:TRACe?
	FETCh:DDEMod? EVM	FETCh:EVM:TRACe?
	FETCh:DDEMod? AEVM	FETCh:EVM:RMS?
	FETCh:DDEMod? PEVM	FETCh:EVM:PEAK?
	FETCh:DDEMod? MERRor	FETCh:MERRor:TRACe?
	FETCh:DDEMod? AMERRor	FETCh:MERRor:RMS?
	FETCh:DDEMod? PMERRor	FETCh:MERRor:PEAK? FETCh:MERRor:PINDex?
	FETCh:DDEMod? PERRor	FETCh:PERRor:TRACe?
	FETCh:DDEMod? APERRor	FETCh:PERRor:RMS?
	FETCh:DDEMod? PPERror	FETCh:PERRor:PEAK? FETCh:PERRor:PINDex?
	FETCh:DDEMod? RHO	FETCh:SQUality:RHO?
	FETCh:DDEMod? SLENgth	FETCh:SQUality:SYMBol:LENgth?
	FETCh:DDEMod? FERRor	FETCh:CONStE:FERRor? FETCh:MERRor:FERRor? FETCh:PERRor:FERRor?
	FETCh:DDEMod? OOFFset	FETCh:SQUality:ORIGin:OFFSet?
	FETCh:DDEMod? STABle	FETCh:DDEMod:STABle?
	FETCh:DDEMod? PVTime	FETCh:AVTime:{FIRSt SECOnd THIRd FOURth}?
	FETCh:DDEMod? AMAM	
	FETCh:DDEMod? AMPM	
	FETCh:DDEMod? CCDF	FETCh:CCDF?
	FETCh:DDEMod? PDF	
	FETCh:DDEMod? FSKDev	
	FETCh:DDEMod? RMSError	

Table F-55: Fetch commands (cont.)

RSA3000 commands	RSA6100A/RSA5100A commands	Description
	FETCh:DDEMod? FDEVIation	FETCh:FDVTime:FERRor?
	FETCh:DDEMod? MINDex	
FETCh:RFID?	No equivalent command	
FETCh:RFID:ACPower?	No equivalent command	
FETCh:RFID:SPURious?	No equivalent command	
FETCh:RFID:SPECTrum:ACPower?	No equivalent command	
FETCh:RFID:SPECTrum:SPURious?	No equivalent command	
FETCh:SSource? { PNOise   SPURious   RTPNoise   RTSPurious   FVTime }	FETCh:PNOise:ALL? FETCh:FVTime:RESult? FETCh:SPURious:COUNT? FETCh:FSETtling:FTTime? FETCh:FSETtling:SETTled:FREQuency? FETCh:FSETtling:SETTled:TIME? FETCh:{FSETtling PSETtling}:STARt:TIME?	Returns the result of the selected measurement in the signal source analysis.  In the RSA300 series, the command accepts different arguments such as PNOise, SPURious, RTPNoise, RTSPurious, and FVTime and returns the measurement details respectively. In the RSA6100A series, there are direct commands such as FETCh:PNOise:ALL? which returns the phase noise measurement details. However, there are no commands for all the options that are supported in the RSA3000 series and there is a mismatch in the type of measurement details returned.
FETCh:SSource:CNVFrequency?	For Phase Noise Use - FETCh:PNOise:SPECTrum<x>:XY? For Spurious Use FETCh:SPURious:SPECTrum:XY?	Returns measurement data of the C/N versus offset frequency in the signal source analysis.
FETCh:SSource:CNVTime?	For Phase Noise use FETCh:PNOise:SPECTrum<x>[:Y]? For Spurious use FETCh:SPURious:SPECTrum:X?	Returns waveform data of the C/N versus time in the signal source analysis.
FETCh:SSource:IPNVtime?	FETCh:PNOISE:RMS:PNOISE?	Returns waveform data of the integrated phase noise versus time in the signal source analysis.  In the RSA3000 series, the query returns the waveform data of the integrated phase noise versus time in the signal source analysis. In the RSA6100A series, it returns the RMS phase noise in the phase noise measurement.
FETCh:SSource:RJVTime?	No equivalent command	
FETCh:SSource:SPECTrum?	FETCh:SPECTrum:TRACe<x>?	Returns spectrum waveform data of the frequency domain measurement in the signal source analysis.
FETCh:SSource:TRANsient:FVTime?	FETCh:FVTime?	Returns the frequency versus time measurement results in the signal source analysis.
FETCh:GSMedge:MACCuracy?	No equivalent command	
FETCh:GSMedge:MCPower?	No equivalent command	

Table F-55: Fetch commands (cont.)

RSA3000 commands	RSA6100A/RSA5100A commands	Description
FETCh:GSMedgE:MODulation?	No equivalent command	
FETCh:GSMedgE:PVTime?	No equivalent command	
FETCh:GSMedgE:SPEctrum:MODulation?	No equivalent command	
FETCh:GSMedgE:SPEctrum:SWITching?	No equivalent command	
FETCh:GSMedgE:SPURious?	No equivalent command	
FETCh:GSMedgE:SWITching?	No equivalent command	
FETCh:GSMedgE:TAMPlitude:MCPower?	No equivalent command	
FETCh:GSMedgE:TAMPlitude:PVTime?	No equivalent command	
FETCh:GSMedgE:TSCode?	No equivalent command	
FETCh:FLCDMA2K RLCDMA2K:ACPower?	No equivalent command	
FETCh:FLCDMA2K RLCDMA2K:CCDF?	No equivalent command	
FETCh:FLCDMA2K RLCDMA2K:CDPower?	No equivalent command	
FETCh:FLCDMA2K RLCDMA2K:CHPower?	No equivalent command	
FETCh:FLCDMA2K RLCDMA2K:DISTRibution:CCDF?	No equivalent command	
FETCh:FLCDMA2K RLCDMA2K:IM?	No equivalent command	
FETCh:FLCDMA2K RLCDMA2K:MACCuracy?	No equivalent command	
FETCh:FLCDMA2K RLCDMA2K:OBWidth?	No equivalent command	
FETCh:FLCDMA2K RLCDMA2K:PCCHannel?	No equivalent command	
FETCh:RLCDMA2K:PVTime?	No equivalent command	
FETCh:FLCDMA2K RLCDMA2K:SEMAsk?	No equivalent command	
FETCh:FLCDMA2K RLCDMA2K:SPEctrum:ACPower?	No equivalent command	
FETCh:FLCDMA2K RLCDMA2K:SPEctrum:CHPower?	No equivalent command	

Table F-55: Fetch commands (cont.)

RSA3000 commands	RSA6100A/RSA5100A commands	Description
FETCh:FLCDMA2K RLCDMA2K: SPECTrum:IM?	No equivalent command	
FETCh:FLCDMA2K RLCDMA2K: SPECTrum:OBWidth?	No equivalent command	
FETCh:RLCDMA2K:TAMPlitude: PVTime?	No equivalent command	
FETCh:FL1XEVD0 RL1XEVD0: ACPowEr?	No equivalent command	
FETCh:FL1XEVD0 RL1XEVD0: CCDF?	No equivalent command	
FETCh:FL1XEVD0 RL1XEVD0: CDPowEr?	No equivalent command	
FETCh:FL1XEVD0 RL1XEVD0: CHPowEr?	No equivalent command	
FETCh:FL1XEVD0 RL1XEVD0: DISTRibution:CCDF?	No equivalent command	
FETCh:FL1XEVD0 RL1XEVD0: IM?	No equivalent command	
FETCh:FL1XEVD0 RL1XEVD0: MACCuracy?	No equivalent command	
FETCh:FL1XEVD0 RL1XEVD0: OBWidth?	No equivalent command	
FETCh:FL1XEVD0 RL1XEVD0: PCCHannel?	No equivalent command	
FETCh:FL1XEVD0:PVTime?	No equivalent command	
FETCh:FL1XEVD0 RL1XEVD0: SEMAsk?	No equivalent command	
FETCh:FL1XEVD0 RL1XEVD0: SPECTrum:ACPowEr?	No equivalent command	
FETCh:FL1XEVD0 RL1XEVD0: SPECTrum:CHPowEr?	No equivalent command	
FETCh:FL1XEVD0 RL1XEVD0: SPECTrum:IM?	No equivalent command	
FETCh:FL1XEVD0 RL1XEVD0: SPECTrum:OBWidth?	No equivalent command	
FETCh:FL1XEVD0:TAMPlitude: PVTime?	No equivalent command	
FETCh:TD_SCDMA:ACLR?	No equivalent command	

Table F-55: Fetch commands (cont.)

RSA3000 commands	RSA6100A/RSA5100A commands	Description
FETCh:TD_SCDMA:CDPower?	No equivalent command	
FETCh:TD_SCDMA:CHPower?	No equivalent command	
FETCh:TD_SCDMA:IM?	No equivalent command	
FETCh:TD_SCDMA:MACCuracy?	No equivalent command	
FETCh:TD_SCDMA:OBWidth?	No equivalent command	
FETCh:TD_SCDMA:SEMask?	No equivalent command	
FETCh:TD_SCDMA:SFSummary?	No equivalent command	
FETCh:TD_SCDMA:STABLE?	No equivalent command	
FETCh:TD_SCDMA:TOOMask?	No equivalent command	
FETCh:TD_SCDMA:TSSummary?	No equivalent command	
FETCh:TD_SCDMA:SPECTrum: ACLR?	No equivalent command	
FETCh:TD_SCDMA:SPECTrum: CHPower?	No equivalent command	
FETCh:TD_SCDMA:SPECTrum:IM?	No equivalent command	
FETCh:TD_SCDMA:SPECTrum: OBWidth?	No equivalent command	
FETCh:TD_SCDMA:SPECTrum: SEMask?	No equivalent command	
FETCh:TD_SCDMA:TAMplitude: SFSummary?	No equivalent command	
FETCh:TD_SCDMA:TAMplitude: TOOMask?	No equivalent command	
FETCh:TD_SCDMA:TAMplitude: TSSummary?	No equivalent command	
FETCh:M2WLAN?	No equivalent command	
FETCh:SWLAN?	No equivalent command	
FETCh:SWLAN:SMASK?	No equivalent command	
FETCh:SWLAN:SPECTrum:SMASK?	No equivalent command	
FETCh:WLAN?	No equivalent command	
FETCh:WLAN:POWer:TPOWer?	No equivalent command	
FETCh:WLAN:SMASK?	No equivalent command	
FETCh:WLAN:SPECTrum:SMASK?	No equivalent command	
FETCh:WLAN:TPOWer?	No equivalent command	
FETCh:AC3Gpp:ACLR?	No equivalent command	



Table F-55: Fetch commands (cont.)

RSA3000 commands	RSA6100A/RSA5100A commands	Description
FETCh:DLR5_3GPP?	No equivalent command	
FETCh:SADLR5_3GPP : SAULR5_3GPP:ACLR?	No equivalent command	
FETCh:SADLR5_3GPP : SAULR5_3GPP:CFRequency?	No equivalent command	
FETCh:SADLR5_3GPP : SAULR5_3GPP:CHPower?	No equivalent command	
FETCh:SADLR5_3GPP : SAULR5_3GPP:EBWidth?	No equivalent command	
FETCh:SADLR5_3GPP:MCAClr?	No equivalent command	
FETCh:SADLR5_3GPP : SAULR5_3GPP:OBWidth?	No equivalent command	
FETCh:SADLR5_3GPP : SAULR5_3GPP:SEMask?	No equivalent command	
FETCh:SADLR5_3GPP : SAULR5_3GPP:SPECTrum:ACLR?	No equivalent command	
FETCh:SADLR5_3GPP : SAULR5_3GPP:SPECTrum: CFRequency?	No equivalent command	
FETCh:SADLR5_3GPP : SAULR5_3GPP:SPECTrum: CHPower?	No equivalent command	
FETCh:SADLR5_3GPP : SAULR5_3GPP:SPECTrum: EBWidth?	No equivalent command	
FETCh:SADLR5_3GPP:SPECTrum: MCAClr?	No equivalent command	
FETCh:SADLR5_3GPP : SAULR5_3GPP:SPECTrum: OBWidth?	No equivalent command	
FETCh:SADLR5_3GPP : SAULR5_3GPP:SPECTrum: SEMask?	No equivalent command	
FETCh:UL3Gpp?	No equivalent command	
FETCh:ULR5_3GPP?	No equivalent command	
FETCh:DLR6_3GPP?	No equivalent command	
FETCh:ULR6_3GPP?	No equivalent command	

## Format Command Group

Table F-56: Format commands

RSA3000 commands	RSA6100A/RSA5100A commands	Description
FORMat:BORDer(?)	No equivalent command	
FORMat[:DATA](?)	No equivalent command	

## HCOPY Command Group

Table F-57: HCopy commands

RSA3000 commands	RSA6100A/RSA5100A commands	Description
HCOPY:BACKground(?)	No equivalent command	Selects or queries the hardcopy background color. An alternative command is DISPlay:WINDow:COLor:SCHeM e XYZ. XYZ is CLASsic if the RSA3000 series argument is BLACK; XYZ is BLIZzard if the RSA3000 series argument is WHITE.
HCOPY:DESTination(?)	No equivalent command	Selects or queries the hardcopy output destination (printer or file)
HCOPY[:IMMEDIATE]	No equivalent command	Outputs the screen hardcopy to the destination selected with the :HCOPY:DESTination command. An alternative command is :MMEM:STORe:SCReen, only if the intended :HCOPY:DESTination is "MMEMory"

## Initiate Command Group

Table F-58: Initiate commands

RSA3000 commands	RSA6100A/RSA5100A commands	Description
INITiate:CONTInuous(?)	INITiate:CONTInuous	Determines whether to place the instrument in the single or the continuous acquisition mode.
INITiate[:IMMEDIATE]	INITiate[:IMMEDIATE]	Starts input signal acquisition.
INITiate:REStart	No equivalent command	Reruns input signal acquisition. Alternative commands are: :INITiate[:IMMEDIATE] and :ABORt. In the RSA3000 series, In the single mode, this command is equivalent to the :INITiate[:IMMEDIATE] command of the RSA6100A series. In the continuous mode, this command is equivalent to the :ABORt command of the RSA3000 series.

## Input Command Group

Table F-59: Input commands

RSA3000 commands	RSA6100A/RSA5100A commands	Description
INPut:ALEVel	No equivalent command	In the RSA3000 series, the command adjusts amplitude automatically for the best system performance using the input signal as a guide.  An alternative command is INPut:{MLEVel RLEVel}. In the RSA6100A series, there is no command to automatically set the reference; it has to be done manually.
INPut:ATTenuation(?)	INPut[:RF]:ATTenuation	Sets or queries the input attenuation.
INPut:ATTenuation:AUTO(?)	INPut[:RF]:ATTenuation:AUTO	Determines whether to set the input attenuation automatically or manually.
INPut:MIxer(?)	No equivalent command	
INPut:MLEVel(?)	INPut:{MLEVel RLEVel}	Sets or queries the reference level.

## Instrument Command Group

Table F-60: Instrument commands

RSA3000 commands	RSA6100A/RSA5100A commands	Description
INSTrument:CATalog?	No equivalent command	Queries all the measurement modes incorporated in the instrument.
INSTrument[:SElect]	DISPlay:ADEMod:MEASview:NEW DISPlay:DDEMod:MEASview:NEW DISPlay:GENeral:MEASview:NEW DISPlay:GPRF:MEASview:NEW DISPlay:PULSe:MEASview:NEW DISPlay:WINDow:ACTive:MEASurement?	Selects or queries the measurement mode.  In the RSA6100A series, measurements are grouped under 5 categories and you need to select the category and the required argument.

## Mass Memory Command Group

Table F-61: MMemory commands

RSA3000 commands	RSA6100A/RSA5100A commands	Description
MMEMemory:COpy	No equivalent command	
MMEMemory:DELeTe	No equivalent command	
MMEMemory:DPX:LOAD:TRACe<x>	MMEMemory:DPX:LOAD:TRACe<x>	Loads the DPX spectrum trace data from the specified file.

Table F-61: MMemory commands (cont.)

RSA3000 commands	RSA6100A/RSA5100A commands	Description
MMEMory:DPX:STORe:TRACe<x>	MMEMory:DPX:STORe:TRACe<x>	Copies the contents of a file to another.
MMEMory:LOAD:CORRection	No equivalent command	
MMEMory:LOAD:FiLTer: MEASurement	MMEMory:DDEMod:LOAD:FiLTer: MEASurement:UOTHer	Loads a user-defined measurement filter from the specified file. For the RSA6100A series, there is no need to specify file extension (.csv).
MMEMory:LOAD:FiLTer:REFErence	MMEMory:DDEMod:LOAD:FiLTer: REFErence:UOTHer	Loads a user-defined reference filter from the specified file. For the RSA6100A series, there is no need to specify file extension (.csv).
MMEMory:LOAD:IQT	MMEMory:LOAD:IQ	Loads time-domain IQ waveform into the acquisition memory from a file. For the RSA6100A series, there is no need to specify file extension (.tiq).
MMEMory:LOAD:LIMit	No equivalent command	
MMEMory:LOAD:RX<x>	No equivalent command	
MMEMory:LOAD:SLIMit	No equivalent command	
MMEMory:LOAD:STATe	MMEMory:LOAD:STATe	Loads settings from the specified file.
MMEMory:LOAD:TRACe<x>	MMEMory:LOAD:TRACe	Loads the trace data from a specified file for the currently selected view.
MMEMory:NAME(?)	No equivalent command	
MMEMory:STORe:ACPower	No equivalent command	
MMEMory:STORe:CORRection	No equivalent command	
MMEMory:STORe:IQT	MMEMory:STORe:IQ	Stores IQ data in time domain in the specified file.
MMEMory:STORe:IQT:CSV	MMEMory:STORe:IQ:CSV	Stores waveform data (IQ data in the time domain) to a specified file in the CSV (Comma Separated Values) format.
MMEMory:STORe:IQT:MAT	MMEMory:STORe:IQ:MAT	Saves time-domain IQ waveform in the acquisition memory to a specified file in the MATLAB format.
MMEMory:STORe:LIMit	No equivalent command	
MMEMory:STORe:PULSe	No equivalent command	
MMEMory:STORe:RESult:ALLData	No equivalent command	
MMEMory:STORe:RESult: BOTHtrace	No equivalent command	
MMEMory:STORe:RESult: NPACkets[:NUMBer](?)	No equivalent command	

Table F-61: MMemory commands (cont.)

RSA3000 commands	RSA6100A/RSA5100A commands	Description
MMEemory:StORe:RESult:ONETrace	No equivalent command	
MMEemory:StORe:RESult:POFFset[:NUMBer](?)	No equivalent command	
MMEemory:StORe:RESult:TRACe	No equivalent command	
MMEemory:StORe:RESult:TWOTrace	No equivalent command	
MMEemory:StORe:RESult:ITEM(?)	No equivalent command	
MMEemory:StORe:RESult:MCONtent(?)	No equivalent command	
MMEemory:StORe:RESult[:SElect]	No equivalent command	
MMEemory:StORe:RESult:TSLot:NUMBer(?)	No equivalent command	
MMEemory:StORe:RESult:TSLot:OFFSet(?)	No equivalent command	
MMEemory:StORe:SLIMit	No equivalent command	
MMEemory:StORe:STABle	No equivalent command	
MMEemory:StORe:STATe	MMEemory:StORe:STATe	Stores the instrument setup to a specified file for the currently selected view.
MMEemory:StORe:TRACe<x>	MMEemory:StORe:TRACe	Stores Trace 1 or 2 waveform data in the specified file.

## Output Command Group

Table F-62: Output commands

RSA3000 commands	RSA6100A/RSA5100A commands	Description
OUTPut:IQ[:STATe](?)	OUTPut:IQ[:STATe]	Determines whether to enable or disable the digital IQ output data stream from the rear panel connectors.

## Program Command Group

Table F-63: Program commands

RSA3000 commands	RSA6100A/RSA5100A commands	Description
PROGram:CATalog?	No equivalent command	
PROGram[:SElecteD]:DELete[:SElecteD]	No equivalent command	
PROGram[:SElecteD]:EXECute	No equivalent command	

Table F-63: Program commands (cont.)

RSA3000 commands	RSA6100A/RSA5100A commands	Description
PROGram[:SElected]:NAME(?)	No equivalent command	
PROGram:NUMBer(?)	No equivalent command	
PROGram:STRing(?)	No equivalent command	

## Read Command Group

Table F-64: Read commands

RSA3000 commands	RSA6100A/RSA5100A commands	Description
READ:ADEMod:AM?	READ:{AM FM PM}?	Returns the trace data in the AM/FM/PM measurement. In the RSA6100A series, the same command accepts arguments for different modulation types.
READ:ADEMod:AM:RESult?	READ:AM:RESult?	Returns the AM measurement results.
READ:ADEMod:FM?	READ:{AM FM PM}?	Returns the trace data in the AM/FM/PM measurement. In the RSA6100A series, the same command accepts arguments for different modulation types.
READ:ADEMod:FM:RESult?	READ:FM:RESult?	Returns the FM measurement results.
READ:ADEMod:PM?	READ:{AM FM PM}?	Returns the trace data in the AM/FM/PM measurement. In the RSA6100A series, the same command accepts arguments for different modulation types.
READ:ADEMod:PM:RESult?	READ:PM:RESult?	Returns the FM measurement results.
READ:ADEMod:PSPectrum?	No equivalent command	
READ:CCDF?	READ:CCDF?	Returns the CCDF measurement results.
READ:DIStribution:CCDF?	READ:CCDF: {FIRST SECond THIRd}:X?	Returns the CCDF trace data in the CCDF measurement.
READ:DPX:TRACe:AVERage?	READ:DPX:TRACe:AVERage?	Returns waveform data of the average trace in the DPX spectrum measurement. The RSA3000 series may return a maximum of 501 bytes of data; whereas the RSA6100A series returns a maximum of 2004 bytes of data.
READ:DPX:TRACe:MAXimum?	READ:DPX:TRACe:MAXimum?	Returns waveform data of the maximum trace in the DPX spectrum measurement. The RSA3000 series may return a maximum of 501 bytes of data; whereas the RSA6100A series returns a maximum of 2004 bytes of data.

Table F-64: Read commands (cont.)

RSA3000 commands	RSA6100A/RSA5100A commands	Description
READ:DPX:TRACe:MINimum?	READ:DPX:TRACe:MINimum?	Returns waveform data of the minimum trace in the DPX spectrum measurement. The RSA3000 series may return a maximum of 501 bytes of data; whereas the RSA6100A series returns a maximum of 2004 bytes of data.
READ:OView?	READ:TOVerview? READ:SGRam?	Obtains the minimum and maximum values for each 1024-point segment of waveform data displayed on the overview in the Demod (modulation analysis) and the Time (time analysis) modes.
READ:PULSe?	READ:PULSe[:RESult]: <Measurement>?	Returns the result of the pulse characteristics analysis. In the RSA6100A series, <Measurement> can be any one of the following: WIDTHh, RIPPLe, PPOWer, RINTerval.
READ:PULSe:SPECTrum?	No equivalent command	
READ:PULSe:TAMPlitude?	No equivalent command	
READ:PULSe:TFRequency?	No equivalent command	
READ:SPECTrum?	READ:SPECTrum:TRACe<x>?	Returns the trace data in the spectrum analyzer measurement.
READ:SPECTrum:ACPowEr?	READ:ACPowEr?	Obtains the results of the adjacent channel leakage power ratio (ACPR) measurement in the S/A mode.
READ:SPECTrum:CFRequency?	No equivalent command	
READ:SPECTrum:CHPOwEr?	READ:ACPowEr:CHANnel:POWer?	Obtains the results of the channel power measurement in the S/A mode.
READ:SPECTrum:CNRatio?	No equivalent command	
READ:SPECTrum:EBWidth?	No equivalent command	
READ:SPECTrum:OBWidth?	READ:OBWidth:SPECTrum?	Obtains the results of the occupied bandwidth (OBW) measurement in the S/A (spectrum analysis) mode.
READ:SPECTrum:SEMAsk?	No equivalent command	
READ:SPECTrum:SEMAsk:RESult[: ALL]?	No equivalent command	
READ:SPECTrum:SEMAsk:RESult: ZONE<x>?	No equivalent command	
READ:SPECTrum:SPURious?	READ:SPURious:COUNT? READ:SPURious:SPUR<x>: FREquency:ABSolute? READ:SPURious:SPUR<x>: FREquency:RELative?	Obtains the results of the spurious signal measurement in the S/A (spectrum analysis) mode. In the RSA3000 series,, this command returns three values: the number of detected spurious emissions, absolute frequency, and relative frequency. For the RSA6100A series, there are three different commands to do the same.

Table F-64: Read commands (cont.)

RSA3000 commands	RSA6100A/RSA5100A commands	Description
READ:TRANSient:FVTime?	READ:FVTime?	Returns the Frequency versus Time trace data.
READ:TRANSient:IQVTime?	READ:IQVTime:I? READ:IQVTime:Q?	Obtains the results of the IQ level vs. time measurement in the Time (time analysis) mode.  In the RSA3000 series, this command returns I and Q data in volts. In the RSA6100 series there are two different commands that return I and Q data separately.
READ:TRANSient:PVTime?	READ:AVTime: {FIRST SECond THIRd FOURth}?	Obtains the results of the power measurement vs. time in the Time (time analysis) mode.
READ:AUDio:HARMonics?	No equivalent command	
READ:AUDio:HNRatio?	No equivalent command	
READ:AUDio:SNDRatio :SINad?	No equivalent command	
READ:AUDio:SPECTrum: HARMonics?	No equivalent command	
READ:AUDio:SPECTrum:HNRatio?	No equivalent command	
READ:AUDio:SPECTrum:SNDRatio : SINad?	No equivalent command	
READ:DDEMod?	No equivalent command	
READ:RFID:ACPower?	No equivalent command	
READ:RFID:SPURious?	No equivalent command	
READ:RFID:SPECTrum:ACPower?	No equivalent command	
READ:RFID:SPECTrum:SPURious?	No equivalent command	
READ:SSource?	No equivalent command	Returns the result of the selected measurement in the signal source analysis.  Alternate commands are READ:PNOise:ALL? and READ:SPURious:COUNT?.  In the RSA3000 series, the command accepts different arguments such as: PNOise, SPURious, RTPNoise, RTSPURious, and FVTime and returns the measurement details respectively. In the RSA6100A series, there are direct commands such as READ:PNOise:ALL? which returns the phase noise measurement details. However, there are no commands for all the options that are supported in the RSA3000 series and also there is a mismatch in the type of measurement details returned.
READ:SSource:SPECTrum?	READ:SPECTrum:TRACe<x>?	Returns spectrum waveform data of the frequency domain measurement in the signal source analysis.
READ:SSource:TRANSient: FVTime?	READ:FVTime?	Returns the frequency versus time measurement results in the signal source analysis.
READ:GSMedge:MACCuracy?	No equivalent command	



Table F-64: Read commands (cont.)

RSA3000 commands	RSA6100A/RSA5100A commands	Description
READ:GSMedge:MCPower?	No equivalent command	
READ:GSMedge:MODulation?	No equivalent command	
READ:GSMedge:PVTime?	No equivalent command	
READ:GSMedge:SPECTrum:MODulation?	No equivalent command	
READ:GSMedge:SPECTrum:SWITching?	No equivalent command	
READ:GSMedge:SPURious?	No equivalent command	
READ:GSMedge:SWITching?	No equivalent command	
READ:GSMedge:TAMPlitude:MCPower?	No equivalent command	
READ:GSMedge:TAMPlitude:PVTime?	No equivalent command	
READ:FLCDMA2Kj:RLCDMA2K:ACPower?	No equivalent command	
READ:FLCDMA2Kj:RLCDMA2K:CCDF?	No equivalent command	
READ:FLCDMA2Kj:RLCDMA2K:CHPower?	No equivalent command	
READ:FLCDMA2Kj:RLCDMA2K:DISTribution:CCDF?	No equivalent command	
READ:FLCDMA2Kj:RLCDMA2K:IM?	No equivalent command	
READ:FLCDMA2Kj:RLCDMA2K:OBWidth?	No equivalent command	
READ:RLCDMA2K:PVTime?	No equivalent command	
READ:FLCDMA2Kj:RLCDMA2K:SEMAsk?	No equivalent command	
READ:FLCDMA2Kj:RLCDMA2K:SPECTrum:ACPower?	No equivalent command	
READ:FLCDMA2Kj:RLCDMA2K:SPECTrum:CHPower?	No equivalent command	
READ:FLCDMA2Kj:RLCDMA2K:SPECTrum:IM?	No equivalent command	
READ:FLCDMA2Kj:RLCDMA2K:SPECTrum:OBWidth?	No equivalent command	
READ:RLCDMA2K:TAMPlitude:PVTime?	No equivalent command	

Table F-64: Read commands (cont.)

RSA3000 commands	RSA6100A/RSA5100A commands	Description
READ:FL1XEVD0 RL1XEVD0:ACPower?	No equivalent command	
READ:FL1XEVD0 RL1XEVD0:CCDF?	No equivalent command	
READ:FL1XEVD0 RL1XEVD0:CHPower?	No equivalent command	
READ:FL1XEVD0 RL1XEVD0:DISTRibution:CCDF?	No equivalent command	
READ:FL1XEVD0 RL1XEVD0:IM?	No equivalent command	
READ:FL1XEVD0 RL1XEVD0:OBWidth?	No equivalent command	
READ:FL1XEVD0:PVTime?	No equivalent command	
READ:FL1XEVD0 RL1XEVD0:SEMask?	No equivalent command	
READ:FL1XEVD0 RL1XEVD0:SPECTrum:ACPower?	No equivalent command	
READ:FL1XEVD0 RL1XEVD0:SPECTrum:CHPower?	No equivalent command	
READ:FL1XEVD0 RL1XEVD0:SPECTrum:IM?	No equivalent command	
READ:FL1XEVD0 RL1XEVD0:SPECTrum:OBWidth?	No equivalent command	
READ:FL1XEVD0:TAMPLitude:PVTime?	No equivalent command	
READ:TD_SCDMA:ACLR?	No equivalent command	
READ:TD_SCDMA:CHPower?	No equivalent command	
READ:TD_SCDMA:IM?	No equivalent command	
READ:TD_SCDMA:OBWidth?	No equivalent command	
READ:TD_SCDMA:SEMask?	No equivalent command	
READ:TD_SCDMA:SPECTrum:ACLR?	No equivalent command	
READ:TD_SCDMA:SPECTrum:CHPower?	No equivalent command	
READ:TD_SCDMA:SPECTrum:IM?	No equivalent command	
READ:TD_SCDMA:SPECTrum:OBWidth?	No equivalent command	

Table F-64: Read commands (cont.)

RSA3000 commands	RSA6100A/RSA5100A commands	Description
READ:TD_SCDMA:SPECTrum: SEMAsk?	No equivalent command	
READ:SWLAN:SMASK?	No equivalent command	
READ:SWLAN:SPECTrum:SMASK?	No equivalent command	
READ:WLAN:POWer:TPOWer?	No equivalent command	
READ:WLAN:SMASK?	No equivalent command	
READ:WLAN:SPECTrum:SMASK?	No equivalent command	
READ:WLAN:TPOWer?	No equivalent command	
READ:AC3Gpp:ACLR?	No equivalent command	
READ:SADLR5_3GPP : SAULR5_3GPP:ACLR?	No equivalent command	
READ:SADLR5_3GPP : SAULR5_3GPP:CFRequency?	No equivalent command	
READ:SADLR5_3GPP : SAULR5_3GPP:CHPower?	No equivalent command	
READ:SADLR5_3GPP : SAULR5_3GPP:EBWidth?	No equivalent command	
READ:SADLR5_3GPP:MCAClr?	No equivalent command	
READ:SADLR5_3GPP : SAULR5_3GPP:OBWidth?	No equivalent command	
READ:SADLR5_3GPP : SAULR5_3GPP:SEMAsk?	No equivalent command	
READ:SADLR5_3GPP : SAULR5_3GPP:SPECTrum:ACLR?	No equivalent command	
READ:SADLR5_3GPP : SAULR5_3GPP:SPECTrum: CFRequency?	No equivalent command	
READ:SADLR5_3GPP : SAULR5_3GPP:SPECTrum: CHPower?	No equivalent command	
READ:SADLR5_3GPP : SAULR5_3GPP:SPECTrum: EBWidth?	No equivalent command	
READ:SADLR5_3GPP:SPECTrum: MCAClr?	No equivalent command	

Table F-64: Read commands (cont.)

RSA3000 commands	RSA6100A/RSA5100A commands	Description
READ:SADLR5_3GPP]: SAULR5_3GPP:SPECTrum: OBWidth?	No equivalent command	
READ:SADLR5_3GPP]: SAULR5_3GPP:SPECTrum: SEMAsk?	No equivalent command	

## Sense Command Group

Table F-65: Sense commands

RSA3000 commands	RSA6100A/RSA5100A commands	Description
[[:SENSe]:ACPower:BANDwidth]: BWiDth:ACHannel(?)	No equivalent command	
[[:SENSe]:ACPower:BANDwidth]: BWiDth:INTegration(?)	[[:SENSe]:ACPower:CHANnel: {BANDwidth BWiDth}	Sets or queries frequency bandwidth of each channel (all share the same value) in the Channel power and ACPR measurement.
[[:SENSe]:ACPower:CSPacing(?)	[[:SENSe]:ACPower:CHANnel: SPACing	Sets or queries frequency difference between centers of each channel in the Channel power and ACPR measurement.
[[:SENSe]:ACPower:FILTer: COEFFicient(?)	[[:SENSe]:ACPower:RRCRolloff	Sets or queries the filter parameter (roll-off ratio) for the Root Raised Cosine filter.
[[:SENSe]:ACPower:FILTer:TYPE(?)	[[:SENSe]:ACPower:CHANnel:FILTer	Sets or queries the adjacent channel filter in the Channel power and ACPR measurement.  The RSA3000 series supports different filters such as RECTangle, GAUSSian, NYQuist, or RNYQuist. The RSA6100A series supports only RRCosine (Root-Raised Cosine filter) and none.
[[:SENSe]:ADEMod:AM: CADetection(?)	[[:SENSe]:AM:DETEct:AMPLitude	Sets or queries the carrier amplitude detection method used to determine the 0% reference modulation in the AM measurement.
[[:SENSe]:ADEMod:BLOCK(?)	No equivalent command	
[[:SENSe]:ADEMod:CARRier(?)	No equivalent command	
[[:SENSe]:ADEMod:CARRier: OFFSet(?)	[[:SENSe]:{FM PM}:FREQUency: OFFSet	Sets or queries the carrier frequency offset in the FM/PM measurement.
[[:SENSe]:ADEMod:CARRier: SEARch(?)	[[:SENSe]:{FM PM}:FREQUency: SEARch:AUTO	Determines whether to detect the carrier frequency automatically or manually in the FM/PM measurements.
[[:SENSe]:ADEMod:FM: THReshold(?)	[[:SENSe]:{FM PM}:BURSt: THReshold	Sets or queries the threshold level above which the input signal is determined to be a burst in the FM/PM measurement.

Table F-65: Sense commands (cont.)

RSA3000 commands	RSA6100A/RSA5100A commands	Description
[[:SENSe]:ADEMod[:IMMEDIATE]]	INITiate[:IMMEDIATE]]	Runs the analog demodulation calculation for the acquired data.
[[:SENSe]:ADEMod:LENGth(?)]	[SENSe]:ANALysis:LENGth	Sets or queries the analysis length. The RSA3000 series accepts the analysis length in terms of data points(value) and converts that to time. To convert data points(value) into time, first calculate the sampling rate from the Span analysis. Length = sampling rate × value. The sampling rate is calculated from the Span. Send a command to set the analysis length using :SENS:TRAN:LENG and mention the calculated analysis length. The analysis length has a range of 1 to 1024 × Block Size (Block Size ≤ 500).
[[:SENSe]:ADEMod:MODulation { AM   FM   PM   IQVT   OFF }]	No equivalent command	
[[:SENSe]:ADEMod:OFFSet(?)]	[SENSe]:ANALysis:START	Sets or queries the measurement start position for the analog modulation analysis
[[:SENSe]:ADEMod:PHASe:OFFSet(?)]	[SENSe]:PM:PHASe:OFFSet	Sets or queries the phase offset in the PM measurement.
[[:SENSe]:ADEMod:PHASe:SEARch(?)]	[SENSe]:PM:PHASe:SEARch: AUTO	Determines whether to detect the phase automatically or manually in the PM measurement.
[[:SENSe]:ADEMod:PM:THReshold(?)]	[SENSe]:{FM PM}:BURSt: THReshold	Sets or queries the threshold level above which the input signal is determined to be a burst in the FM/PM measurement.
[[:SENSe]:AVERage:CLEar]	[SENSe]:<Measurement>:CLEar: RESults	Restarts the average trace. In the RSA6100A series <Measurement> can be any one of the following: AM, FM, PM, AVTime, PHVTime, ACPower, PNOise, SPECTrum.
[[:SENSe]:AVERage:COUNt(?)]	No equivalent command	
[[:SENSe]:AVERage[:STATe](?)]	No equivalent command	
[[:SENSe]:AVERage:TCONtrol(?)]	No equivalent command	
[[:SENSe]:BSIZe(?)]	No equivalent command	
[[:SENSe]:CCDF:BLOCK(?)]	No equivalent command	Alternate commands are: [SENSe]:ACQuisition:FFRame: STATe [SENSe]:ACQuisition:FFRame:LIMit In the RSA6100A series, first enable the fast frame mode and then set max frames.
[[:SENSe]:CCDF:CLEar]	[SENSe]:CCDF:CLEar	Clears the CCDF accumulator and restarts the measurement.

Table F-65: Sense commands (cont.)

RSA3000 commands	RSA6100A/RSA5100A commands	Description
[[:SENSe]:CCDF:RMEasurement	[[:SENSe]:CCDF:CLEar	Clears the CCDF accumulator and restarts the measurement. In the RSA3000 series, this command is equivalent to [[:SENSe]:CCDF:CLEar
[[:SENSe]:CCDF:THReshold(?)	No equivalent command	
[[:SENSe]:CFRequency:CRESolution(?)	No equivalent command	
[[:SENSe]:CHPower:BANDwidth:BWIDth:INTegration(?)	[[:SENSe]:ACPower:CHANnel:{BANDwidth BWIDth}	Sets or queries frequency bandwidth of each channel (all share the same value) in the Channel power and ACPR measurement.
[[:SENSe]:CHPower:FILTer:COEFFicient(?)	[[:SENSe]:ACPower:RRCRolloff	Sets or queries the roll-off rate of the filter for the channel power measurement.
[[:SENSe]:CHPower:FILTer:TYPE(?)	[[:SENSe]:ACPower:CHANnel:FILTer	Sets or queries the adjacent channel filter in the Channel power and ACPR measurement. The RSA3000 series supports different filters such as: RECTangle, GAUSSian, NYQuist, or RNYQuist. The RSA6100A series supports only RRCosine (Root-Raised Cosine filter).
[[:SENSe]:CNRatio:BANDwidth:BWIDth:INTegration(?)	No equivalent command	
[[:SENSe]:CNRatio:BANDwidth:BWIDth:NOISe(?)	No equivalent command	
[[:SENSe]:CNRatio:FILTer:COEFFicient(?)	No equivalent command	
[[:SENSe]:CNRatio:FILTer:TYPE(?)	No equivalent command	
[[:SENSe]:CNRatio:OFFSet(?)	No equivalent command	
[[:SENSe]:CORRection:DATA(?)	No equivalent command	
[[:SENSe]:CORRection:DELeTe	No equivalent command	
[[:SENSe]:CORRection:OFFSet[MAGNitude](?)	No equivalent command	
[[:SENSe]:CORRection:OFFSet:FREQuency(?)	No equivalent command	
[[:SENSe]:CORRection[:STATe](?)	No equivalent command	
[[:SENSe]:CORRection:X:SPACing(?)	No equivalent command	
[[:SENSe]:CORRection:Y:SPACing(?)	No equivalent command	

Table F-65: Sense commands (cont.)

RSA3000 commands	RSA6100A/RSA5100A commands	Description
[[:SENSe]:DPX:BANDwidth]:BWIDth[:RESolution](?)	[SENSe]:DPX:{BANDwidth BWIDth}:ACTual?	Sets or queries the resolution bandwidth (RBW). In the RSA6100 series, it only queries the relative bandwidth.
[[:SENSe]:DPX:BANDwidth]:BWIDth[:RESolution]:AUTO(?)	[SENSe]:DPX:{BANDwidth BWIDth}[:RESolution]:AUTO	Determines whether to automatically set the resolution bandwidth (RBW) by the span setting.
[[:SENSe]:DPX:CLEar:RESults	[SENSe]:DPX:CLEar:RESults	Restarts multi-trace functions (Average and Max/Min Hold).
[[:SENSe]:EBWidth:XDB(?)	No equivalent command	
[[:SENSe]:FEED	No equivalent command	
[[:SENSe]:FREQuency:BA ND?	[SENSe]:MEASurement:FREQuency	Sets or queries the measurement frequency.
[[:SENSe]:FREQuency:CENTer(?)	[SENSe]:<Measurement>:FREQuency:CENTer	Sets or queries the center frequency. In the RSA6100A series <Measurement> can be any one of the following: SPECTrum, DPX, ACPower, FVTime, IQVTime, MCPower, OBWidth, SGRam. If you change the center frequency with respect to any measurement, the change will reflect all the measurements.
[[:SENSe]:FREQuency:CENTer:STEP:AUTO(?)	[SENSe]:<Measurement>:FREQuency:STEP:AUTO	Determines whether to automatically set the step size of the center frequency by the span setting. In the RSA6100A series, <Measurement> can be any one of the following: SPECTrum, DPX, ACPower, FVTime, IQVTime, MCPower, OBWidth, SGRam.
[[:SENSe]:FREQuency:CENTer:STEP[:INCRement](?)	[SENSe]:<Measurement>:FREQuency:STEP	Sets or queries the step size of the center frequency when [[:SENSe]:FREQuency :CENTer:STEP:AUTO is OFF. In the RSA6100A series, <Measurement> can be any one of the following: SPECTrum, DPX, ACPower, FVTime, IQVTime, MCPower, OBWidth, SGRam.
[[:SENSe]:FREQuency:CHANnel(?)	No equivalent command	
[[:SENSe]:FREQuency:CTABLE:CATalog?	No equivalent command	
[[:SENSe]:FREQuency:CTABLE[:SELect](?)	No equivalent command	

Table F-65: Sense commands (cont.)

RSA3000 commands	RSA6100A/RSA5100A commands	Description
[.SENSe]:FREQUENCY:SPAN(?)	[SENSe]:DPX:FREQUENCY:SPAN [SENSe]:AVTime:SPAN [SENSe]:FVTime:FREQUENCY: SPAN [SENSe]:IQVTime:FREQUENCY: SPAN [SENSe]:PHVTime:FREQUENCY: SPAN [SENSe]:SGRam:FREQUENCY: SPAN [SENSe]:SPECTrum:FREQUENCY: SPAN	Sets or queries the span.
[.SENSe]:FREQUENCY:START(?)	[SENSe]:DPX:FREQUENCY:START [SENSe]:FVTime:FREQUENCY: START [SENSe]:IQVTime:FREQUENCY: START [SENSe]:PHVTime:FREQUENCY: START [SENSe]:SGRam:FREQUENCY: START [SENSe]:SPECTrum:FREQUENCY: START	Sets or queries the start frequency.
[.SENSe]:FREQUENCY:STOP(?)	[SENSe]:DPX:FREQUENCY:STOP [SENSe]:FVTime:FREQUENCY: STOP [SENSe]:IQVTime:FREQUENCY: STOP [SENSe]:PHVTime:FREQUENCY: STOP [SENSe]:SGRam:FREQUENCY: STOP [SENSe]:SPECTrum:FREQUENCY: STOP	Sets or queries the stop frequency.
[.SENSe]:OBWidth:PERCent(?)	[SENSe]:OBWidth:PERCent	Sets or queries the occupied bandwidth for the OBW measurement.
[.SENSe]:PULSe:BLOCK(?)	No equivalent command	
[.SENSe]:PULSe:CHPower: BANDwidth]:BWIDTH:INTegration(?)	No equivalent command	
[.SENSe]:PULSe:CRESolution(?)	No equivalent command	
[.SENSe]:PULSe:EBWidth:XDB(?)	No equivalent command	
[.SENSe]:PULSe:FFT: COEFFicient(?)	No equivalent command	



Table F-65: Sense commands (cont.)

RSA3000 commands	RSA6100A/RSA5100A commands	Description
[:SENSe]:PULSe:FFT:WINDow[:TYPE](?)	No equivalent command	
[:SENSe]:PULSe:FILTer: BANDwidth[:BWIDth](?)	[SENSe]:PULSe:FILTer: {BANDwidth BWIDth}	Sets or queries the bandwidth of the time measurement filter in the pulse characteristics analysis.
[:SENSe]:PULSe:FILTer: COEFficient(?)	No equivalent command	
[:SENSe]:PULSe:FILTer: MEASurement(?)	[SENSe]:PULSe:FILTer: MEASurement	Selects or queries the measurement filter for the time measurement in the pulse characteristics analysis.
[:SENSe]:PULSe:FREQuency: OFFSet(?)	[SENSe]:PULSe:FREference: OFFSet	Sets or queries the frequency offset for the pulse-pulse phase and the frequency deviation measurements in the pulse characteristics analysis.
[:SENSe]:PULSe:FREQuency: RECoverY(?)	[SENSe]:PULSe:FREference: AUTO	Selects or queries the frequency recovery for the pulse-pulse phase and the frequency deviation measurements in the pulse characteristics analysis.  In the RSA3000 series, the command accepts arguments such as: FIRSt, USER, or OFF. In the RSA6100A series, the command accepts arguments such as: ON or OFF.
[:SENSe]:PULSe[:IMMEdiate]	INITiate[:IMMEdiate]	Runs calculation for acquired data in the pulse characteristics analysis.
[:SENSe]:PULSe:LENGth(?)	No equivalent command	
[:SENSe]:PULSe:OBWidth: PERCent(?)	No equivalent command	
[:SENSe]:PULSe:OFFSet(?)	No equivalent command	
[:SENSe]:PULSe:PTOFfset(?)	No equivalent command	
[:SENSe]:PULSe:THReshold(?)	[SENSe]:PULSe:DETECT:POWER[:THReshold]	Sets or queries the power threshold to detect pulses.
[:SENSe]:ROSCillator:SOURce(?)	[SENSe]:ROSCillator:SOURce	Selects or queries the reference oscillator.
[:SENSe]:SEMAsk:BANDwidth[: BWIDth:INTegration](?)	No equivalent command	
[:SENSe]:SEMAsk:FILTer: COEFficient(?)	No equivalent command	
[:SENSe]:SEMAsk:FILTer:TYPE(?)	No equivalent command	
[:SENSe]:SEMAsk:LIMit:ISPurious: ZONE<x>[:STATe](?)	No equivalent command	
[:SENSe]:SEMAsk:LIMit:OFCHannel: ZONE<x>[:STATe](?)	No equivalent command	
[:SENSe]:SEMAsk:MEASurement(?)	No equivalent command	

Table F-65: Sense commands (cont.)

RSA3000 commands	RSA6100A/RSA5100A commands	Description
[[:SENSe]:SEMAsk:RCHannel:LEVel(?]	No equivalent command	
[[:SENSe]:SEMAsk:RCHannel:MODE(?]	No equivalent command	
[[:SENSe]:SPECtrum:AVERage:CLEar	[SENSe]:SPECtrum:CLEar:RESults	Restarts multi-trace functions. In the RSA3000 series, the command will clear the average data and counter, and restarts the averaging process. In the RSA6100A series, the command will restart multi-trace functions (Average and Max/Min Hold).
[[:SENSe]:SPECtrum:AVERage:COUNT(?]	TRACe<x>:SPECtrum:AVERage:COUNT	Sets or queries the number of traces to combine.
[[:SENSe]:SPECtrum:AVERage:STATe(?]	TRACe<x>:SPECtrum:COUNT:ENABLE	Determines whether to turn averaging on or off.
[[:SENSe]:SPECtrum:AVERage:TYPE(?]	TRACe<x>:SPECtrum:DETEction	Selects or queries the type of averaging. The RSA3000 series options are RMS, MAXIMUM, and MINIMUM. The equivalent RSA6100 series options are AVERage, POSitive, and NEGative, respectively.
[[:SENSe]:SPECtrum:BANDwidth:BWIDth[:RESolution](?]	[SENSe]:SPECtrum:{BANDwidth BWIDth}[:RESolution]	Sets or queries the resolution bandwidth.
[[:SENSe]:SPECtrum:BANDwidth:BWIDth[:RESolution]:AUTO(?]	[[:SENSe]:SPECtrum:BANDwidth:BWIDth[:RESolution]:AUTO(?]	Determines whether to automatically set the resolution bandwidth (RBW) by the span setting.
[[:SENSe]:SPECtrum:BANDwidth:BWIDth:STATe(?]	No equivalent command	
[[:SENSe]:SPECtrum:BANDwidth:BWIDth:VIDeo(?]	[SENSe]:SPECtrum:{BANDwidth BWIDth}:VIDeo	Sets or queries the frequency bandwidth of the video filter for the spurious measurement.
[[:SENSe]:SPECtrum:BANDwidth:BWIDth:VIDeo:STATe(?]	[SENSe]:SPECtrum:{BANDwidth BWIDth}:VIDeo:STATe	Determines whether or not to use the video filter for the spurious measurement.
[[:SENSe]:SPECtrum:BANDwidth:BWIDth:VIDeo:SWEep[:TIME](?]	No equivalent command	
[[:SENSe]:SPECtrum:DETEctor[:FUNCTion](?]	TRACe<x>:SPECtrum:DETEction	Selects or queries the display detector.
[[:SENSe]:SPECtrum:FILTer:COEFFicient(?]	No equivalent command	
[[:SENSe]:SPECtrum:FILTer:TYPE(?]	No equivalent command	
[[:SENSe]:SPECtrum:FFT:ERESolution(?]	No equivalent command	
[[:SENSe]:SPECtrum:FFT:LENGth(?]	No equivalent command	
[[:SENSe]:SPECtrum:FFT:STARt(?]	No equivalent command	

Table F-65: Sense commands (cont.)

RSA3000 commands	RSA6100A/RSA5100A commands	Description
[SENSe]:SPECTrum:FFT:WINDow[TYPE](?)	[SENSe]:SPECTrum:FFT:WINDow	Selects or queries the FFT window function.
[SENSe]:SPECTrum:FRAMe(?)	No equivalent command	
[SENSe]:SPECTrum:MEASurement { OFF   CHPower   ACPower   OBWidth   EBWidth   CNRatio   CFRrequency   SPURious   SEMask }	DISPlay:GPRF:MEASview:NEW { CCDF   ACPower   MCPower   OBW   PNOise   SPURious } INITiate[:IMMEDIATE]	Selects and runs the measurement item in the S/A (spectrum analysis) mode. For the RSA6100A series, first select the type of display. To start the measurement use the INITiate[:IMMEDIATE] command
[SENSe]:SPECTrum:ZOOM:BLOCK(?)	No equivalent command	
[SENSe]:SPECTrum:ZOOM:FREQuency:CENTer(?)	No equivalent command	
[SENSe]:SPECTrum:ZOOM:FREQuency:WIDTh(?)	No equivalent command	
[SENSe]:SPECTrum:ZOOM:LENGth(?)	No equivalent command	
[SENSe]:SPECTrum:ZOOM:OFFSet(?)	No equivalent command	
[SENSe]:SPURious[:THReshold]:EXCURsion(?)	No equivalent command	
[SENSe]:SPURious[:THReshold]:IGNore(?)	No equivalent command	
[SENSe]:SPURious[:THReshold]:SIGNal(?)	[SENSe]:SPURious:CARRier:THReshold	Sets or queries the threshold level to determine if the signal is the carrier in the spurious signal measurement.
[SENSe]:SPURious[:THReshold]:SPURious(?)	No equivalent command	
[SENSe]:TRANSient:BLOCK(?)	No equivalent command	
[SENSe]:TRANSient[:IMMEDIATE]	INITiate[:IMMEDIATE]	Runs the time characteristic analysis calculation for the acquired data.
[SENSe]:TRANSient:ITEM(?)	DISPlay:GENeral:MEASview:NEW	Selects or queries the measurement item in the time characteristic analysis.
[SENSe]:TRANSient:LENGth(?)	[SENSe]:ANALysis:LENGth?	Sets or queries the range for the time characteristic analysis.
[SENSe]:TRANSient:OFFSet(?)	[SENSe]:ANALysis:STARt	Sets or queries the measurement start position in the time characteristic analysis.
[SENSe]:AUDio:CCITt[:STATe](?)	No equivalent command	
[SENSe]:AUDio:CMESsage[:STATe](?)	No equivalent command	

Table F-65: Sense commands (cont.)

RSA3000 commands	RSA6100A/RSA5100A commands	Description
[[:SENSe]:AUDio:DEMPHasis:STATE](?)	No equivalent command	
[[:SENSe]:AUDio:DEMPHasis:TCONstant](?)	No equivalent command	
[[:SENSe]:AUDio:DTYPe](?)	No equivalent command	
[[:SENSe]:AUDio:FILTer:HPASs:FREQuency](?)	No equivalent command	
[[:SENSe]:AUDio:FILTer:HPASs:STATE](?)	No equivalent command	
[[:SENSe]:AUDio:FILTer[:LPASs]:FREQuency](?)	No equivalent command	
[[:SENSe]:AUDio:FILTer[:LPASs]:STATE](?)	No equivalent command	
[[:SENSe]:AUDio:HARMonics](?)	No equivalent command	
[[:SENSe]:AUDio:MEASurement](?)	No equivalent command	
[[:SENSe]:AUDio:SARef (No Query Form)]	No equivalent command	
[[:SENSe]:AUDio:THReshold:EXCURsion](?)	No equivalent command	
[[:SENSe]:AUDio:THReshold:IGNore](?)	No equivalent command	
[[:SENSe]:AUDio:THReshold:NHARMonics](?)	No equivalent command	
[[:SENSe]:DDEMod:BLOCK](?)	No equivalent command	
[[:SENSe]:DDEMod:CARRier:OFFSet](?)	[[:SENSe]:DDEMod:CARRier:OFFSet]	Sets or queries the carrier frequency offset in digital modulation analysis.
[[:SENSe]:DDEMod:CARRier:SEARch](?)	[[:SENSe]:DDEMod:CARRier:OFFSet:AUTO]	Sets or queries whether to detect the carrier frequency automatically in digital modulation analysis.
[[:SENSe]:DDEMod:DECode](?)	No equivalent command	
[[:SENSe]:DDEMod:FDEVIation](?)	[[:SENSe]:DDEMod:FREQuency:DEVIation]	Sets or queries the frequency deviation in the digital modulation analysis.
[[:SENSe]:DDEMod:FDEVIation:AUTO](?)	[[:SENSe]:DDEMod:FREQuency:DEVIation:AUTO]	Determines whether to detect automatically or set manually the frequency deviation.
[[:SENSe]:DDEMod:FILTer:ALPHa](?)	[[:SENSe]:DDEMod:FILTer:ALPHa]	Sets or queries the filter factor ( $\alpha$ /BT) in the digital modulation analysis.
[[:SENSe]:DDEMod:FILTer:MEASurement](?)	[[:SENSe]:DDEMod:FILTer:MEASurement]	Sets or queries the measurement filter in the digital modulation analysis.

Table F-65: Sense commands (cont.)

RSA3000 commands	RSA6100A/RSA5100A commands	Description
[SENSe]:DDEMod:FILTer:REFerence(?)	[SENSe]:DDEMod:FILTer:REFerence	Sets or queries the reference filter in the digital modulation analysis.
[SENSe]:DDEMod:FORMat(?)	[SENSe]:DDEMod:MODulation:TYPE	Sets or queries the modulation type in the digital modulation analysis. In the RSA6100A series, some modulation types are not supported; for example: GMSK, ASK.
[SENSe]:DDEMod[:IMMediate]	INITiate[:IMMediate]	Runs the digital demodulation calculation for the acquired data. For the RSA6100A series, there is no query option.
[SENSe]:DDEMod:LENGth(?)	[SENSe]:DDEMod:ANALysis:LENGth	Sets or queries the analysis length. In the RSA3000 series the command accepts length in terms of points. In the RSA6100A series the command accepts the analysis length in terms or number of symbols, or in time (seconds).
[SENSe]:DDEMod:MDEPth(?)	No equivalent command	
[SENSe]:DDEMod:MDEPth:AUTO(?)	No equivalent command	
[SENSe]:DDEMod:MINDEX(?)	[SENSe]:DDEMod:MINDEX	Sets or queries the modulation index of a CPM signal.
[SENSe]:DDEMod:MINDEX:AUTO(?)	[SENSe]:DDEMod:MINDEX:AUTO	Determines whether to detect automatically or set manually the modulation index of a CPM signal.
[SENSe]:DDEMod:NLINearity:COEFficient(?)	No equivalent command	
[SENSe]:DDEMod:NLINearity:HDIVision(?)	No equivalent command	
[SENSe]:DDEMod:NLINearity:LSRegion[:SET](?)	No equivalent command	
[SENSe]:DDEMod:NLINearity:LSRegion:UNIT(?)	No equivalent command	
[SENSe]:DDEMod:PRESet(?)	[SENSe]:DDEMod:PRESet	Selects or queries the communication standard in the digital modulation analysis. The RSA6100A series does not support all the communication standards supported by the RSA3000 series.
[SENSe]:DDEMod:SRATe(?)	[SENSe]:DDEMod:SRATe	Sets or queries the symbol rate in the digital modulation analysis.
[SENSe]:DDEMod:STIMing:SEARch(?)	[SENSe]:DDEMod:SYMBOL:RATE:SEARch	Determines whether to enable a symbol rate search.
[SENSe]:RFID:ACPowEr:BANDwidth[:BWIDth:ACHannel]()	No equivalent command	

Table F-65: Sense commands (cont.)

RSA3000 commands	RSA6100A/RSA5100A commands	Description
[[:SENSe]:RFID:ACPower: BANDwidth]:BWIDth:INTEgration(?)	No equivalent command	
[[:SENSe]:RFID:ACPower: CSPacing(?)	No equivalent command	
[[:SENSe]:RFID:ACPower:FILTer: COEFFicient(?)	No equivalent command	
[[:SENSe]:RFID:ACPower:FILTer: TYPE(?)	No equivalent command	
[[:SENSe]:RFID:BLOCK(?)	No equivalent command	
[[:SENSe]:RFID:CARRier: BANDwidth]:BWIDth:INTEgration(?)	No equivalent command	
[[:SENSe]:RFID:CARRier:COUNter[: RESolution]?)	No equivalent command	
[[:SENSe]:RFID:CARRier:OFFSet(?)	No equivalent command	
[[:SENSe]:RFID:CARRier:PRATio[: SET]?)	No equivalent command	
[[:SENSe]:RFID:CARRier:PRATio: UNIT(?)	No equivalent command	
[[:SENSe]:RFID[:IMMEdiate]	No equivalent command	
[[:SENSe]:RFID:LENGth(?)	No equivalent command	
[[:SENSe]:RFID:MEASurement(?)	No equivalent command	
[[:SENSe]:RFID:MODulation: ADVanced:FILTer(?)	No equivalent command	
[[:SENSe]:RFID:MODulation: ADVanced:PREAmble(?)	No equivalent command	
[[:SENSe]:RFID:MODulation: ADVanced:SBANd(?)	No equivalent command	
[[:SENSe]:RFID:MODulation:BRATe: AUTO(?)	No equivalent command	
[[:SENSe]:RFID:MODulation:BRATe[: SET]?)	No equivalent command	
[[:SENSe]:RFID:MODulation: DECode(?)	No equivalent command	
[[:SENSe]:RFID:MODulation: FORMat(?)	No equivalent command	
[[:SENSe]:RFID:MODulation: INTerpolate(?)	No equivalent command	
[[:SENSe]:RFID:MODulation:LINK(?)	No equivalent command	

Table F-65: Sense commands (cont.)

RSA3000 commands	RSA6100A/RSA5100A commands	Description
[SENSe]:RFID:MODulation:SERRor[:WIDTh](?)	No equivalent command	
[SENSe]:RFID:MODulation:STANdard(?)	No equivalent command	
[SENSe]:RFID:MODulation:TARl:AUTO(?)	No equivalent command	
[SENSe]:RFID:MODulation:TARl[:SET](?)	No equivalent command	
[SENSe]:RFID:MODulation[:THReshold]:HIGHer(?)	No equivalent command	
[SENSe]:RFID:MODulation[:THReshold]:MIDDLE(?)	No equivalent command	
[SENSe]:RFID:MODulation[:THReshold]:LOWer(?)	No equivalent command	
[SENSe]:RFID:OFFSet(?)	No equivalent command	
[SENSe]:RFID:SPURious[:THReshold]:EXCURsion(?)	No equivalent command	
[SENSe]:RFID:SPURious[:THReshold]:IGNore(?)	No equivalent command	
[SENSe]:RFID:SPURious[:THReshold]:SIGNal(?)	No equivalent command	
[SENSe]:RFID:SPURious[:THReshold]:SPURious(?)	No equivalent command	
[SENSe]:RFID:ZOOM:FREQuency:CENTer(?)	No equivalent command	
[SENSe]:RFID:ZOOM:FREQuency:WIDTh(?)	No equivalent command	
[SENSe]:SSource:BLOCK(?)	No equivalent command	
[SENSe]:SSource:CARRier: BANDwidth[:BWIDTh]:INTegration(?)	[SENSe]:SPURious:CARRier: {BANDwidth BWIDTh}:INTegration	Sets the frequency bandwidth to calculate channel power.
[SENSe]:SSource:CARRier[:THReshold](?)	[SENSe]:PNOise:CARRier: THReshold [SENSe]:SPURious:CARRier: THReshold	Sets or queries the threshold level to detect the carrier The RSA6100A series does not support all of the measurement modes supported by the RSA3000 series; for example, Real Time Phase noise.
[SENSe]:SSource:CARRier: TRACKing[:STATe](?)	[SENSe]:PNOise:CARRier: FREQuency:TRACK	Determines whether to enable or disable tracking the carrier frequency in the phase noise measurement.
[SENSe]:SSource:CNRatio:FFT: LENGth(?)	No equivalent command	

Table F-65: Sense commands (cont.)

RSA3000 commands	RSA6100A/RSA5100A commands	Description
[.SENSe]:SSource:CNRatio:OFFSet(?)	No equivalent command	
[.SENSe]:SSource:CNRatio:SBANd(?)	No equivalent command	
[.SENSe]:SSource:CNRatio:THReshold[?]	No equivalent command	
[.SENSe]:SSource:FVTime:SMOothing(?)	TRACe:FSETtling:SMOothing:ENABle 1 TRACe:FSETtling:SMOothing:COUNt(?)	Sets or queries the number of data points to take the moving average for smoothing the traces. The range in the RSA3000 series is from 1 to analysis length ÷ 2. The range in the RSA6100A series is from 2 to 1000.
[.SENSe]:SSource:FVTime[:THReshold][?]	[SENSe]:FSETtling:TOLerance(?)	Sets or queries the threshold for judging the frequency settling time in the signal source analysis.
[.SENSe]:SSource[:IMMediate]	INITiate[:IMMediate]	Performs analysis calculation for the acquired data in the signal source analysis.
[.SENSe]:SSource:LENGth(?)	No equivalent command	
[.SENSe]:SSource:MEASurement(?)		Selects and runs the measurement item in the signal source analysis. For the RSA6100A series, commands are prefixed with the type of measurement mode.
[.SENSe]:SSource:OFFSet(?)	No equivalent command	
[.SENSe]:SSource:PNOise:MPJitter[:THReshold][?]	No equivalent command	
[.SENSe]:SSource:PNOise:RJITter:OFFSet:STARt(?)	No equivalent command	
[.SENSe]:SSource:PNOise:RJITter:OFFSet:STOP(?)	No equivalent command	
[.SENSe]:SSource:PNOise:RJITter[:THReshold][?]	No equivalent command	
[.SENSe]:SSource:PNOise:OFFSet:MAXimum(?)	No equivalent command	
[.SENSe]:SSource:PNOise:OFFSet:MINimum(?)	No equivalent command	
[.SENSe]:SSource:SPURious:IGNore(?)	No equivalent command	
[.SENSe]:SSource:SPURious:SFILter[:STATe][?]	No equivalent command	



Table F-65: Sense commands (cont.)

RSA3000 commands	RSA6100A/RSA5100A commands	Description
[SENSe]:SSource:SPURious[: THReshold]:EXCursion(?)	[SENSe]:SPURious:RANGe<x>: EXCursion	Sets or queries the excursion level (how far down the signal must drop between spurious emissions) in the specified frequency range.  In the RSA3000 series, the excursion range is from 0 dB to 30 dB; the RSA6100A series supports from 1dB to 50 dB.
[SENSe]:SSource:SPURious[: THReshold]:SPURious(?)	[SENSe]:SPURious:RANGe<x>: THReshold	
[SENSe]:GSMedge:ABITs(?)	No equivalent command	
[SENSe]:GSMedge:BLOCK(?)	No equivalent command	
[SENSe]:GSMedge:BURSt: INDex(?)	No equivalent command	
[SENSe]:GSMedge:BURSt: MPOint(?)	No equivalent command	
[SENSe]:GSMedge:BURSt:RTFirst	No equivalent command	
[SENSe]:GSMedge:CARRier: OFFSet(?)	No equivalent command	
[SENSe]:GSMedge:CARRier: SEARch(?)	No equivalent command	
[SENSe]:GSMedge:FILTer: RCWRcosine(?)	No equivalent command	
[SENSe]:GSMedge[:IMMediate]	No equivalent command	
[SENSe]:GSMedge:LIMit:SIGNaL(?)	No equivalent command	
[SENSe]:GSMedge:LIMit: SPURious(?)	No equivalent command	
[SENSe]:GSMedge: MEASurement(?)	No equivalent command	
[SENSe]:GSMedge:MODulation(?)	No equivalent command	
[SENSe]:GSMedge:SLOT(?)	No equivalent command	
[SENSe]:GSMedge:STANdard: BAND(?)	No equivalent command	
[SENSe]:GSMedge:STANdard: DIRection(?)	No equivalent command	
[SENSe]:GSMedge:STINdex(?)	No equivalent command	
[SENSe]:GSMedge:TSCode: AUTO(?)	No equivalent command	
[SENSe]:GSMedge:TSCode[: NUMBer](?)	No equivalent command	

Table F-65: Sense commands (cont.)

RSA3000 commands	RSA6100A/RSA5100A commands	Description
[[:SENSe]:FLCDMA2K]:RLCDMA2K: ACQquisition:CHIPs(?)	No equivalent command	
[[:SENSe]:FLCDMA2K]:RLCDMA2K: ACQquisition:HISTory(?)	No equivalent command	
[[:SENSe]:FLCDMA2K]:RLCDMA2K: ACQquisition:SEConds(?)	No equivalent command	
[[:SENSe]:FLCDMA2K]:RLCDMA2K: ANALysis:INTerval(?)	No equivalent command	
[[:SENSe]:FLCDMA2K]:RLCDMA2K: ANALysis:OFFSet(?)	No equivalent command	
[[:SENSe]:FLCDMA2K]:RLCDMA2K: BLOCk(?)	No equivalent command	
[[:SENSe]:FLCDMA2K]:RLCDMA2K[: IMMEDIATE]	No equivalent command	
[[:SENSe]:FLCDMA2K]:RLCDMA2K: MEASurement(?)	No equivalent command	
[[:SENSe]:FLCDMA2K]:RLCDMA2K: SPECTrum:OFFSet(?)	No equivalent command	
[[:SENSe]:FLCDMA2K]:RLCDMA2K: SPECTrum:TINTerval?	No equivalent command	
[[:SENSe]:FLCDMA2K]:RLCDMA2K: ACPower:BANDwidth[:BWIDTH: INTegration(?)	No equivalent command	
[[:SENSe]:FLCDMA2K]:RLCDMA2K: ACPower:FILTer:COEFFicient(?)	No equivalent command	
[[:SENSe]:FLCDMA2K]:RLCDMA2K: ACPower:FILTer:TYPE(?)	No equivalent command	
[[:SENSe]:FLCDMA2K]:RLCDMA2K: ACPower:LIMit:ADJacent<x>[: STATE](?)	No equivalent command	
[[:SENSe]:FLCDMA2K]:RLCDMA2K: CCDF:RMEasurement	No equivalent command	
[[:SENSe]:FLCDMA2K]:RLCDMA2K: CCDF:THReshold(?)	No equivalent command	
[[:SENSe]:FLCDMA2K]:RLCDMA2K: CDPower:ACCThreshold(?)	No equivalent command	
[[:SENSe]:FLCDMA2K]:RLCDMA2K: CDPower:FILTer:MEASurement(?)	No equivalent command	

Table F-65: Sense commands (cont.)

RSA3000 commands	RSA6100A/RSA5100A commands	Description
[:SENSe]:FLCDMA2K]:RLCDMA2K: CDPower:IQSWap(?)	No equivalent command	
[:SENSe]:dFLCDMA2K]: RLCDMA2K:CDPower:MLEVel(?)	No equivalent command	
[:SENSe]:FLCDMA2K:CDPower: PNOFset(?)	No equivalent command	
[:SENSe]:FLCDMA2K:CDPower: QOF(?)	No equivalent command	
[:SENSe]:FLCDMA2K]:RLCDMA2K: CDPower:RCONfig(?)	No equivalent command	
[:SENSe]:FLCDMA2K]:RLCDMA2K: CDPower:SElect:CODE(?)	No equivalent command	
[:SENSe]:FLCDMA2K]:RLCDMA2K: CDPower:SElect:PCG(?)	No equivalent command	
[:SENSe]:FLCDMA2K]:RLCDMA2K: CDPower:WCODe(?)	No equivalent command	
[:SENSe]:FLCDMA2K]:RLCDMA2K: CHPower:BANDwidth]:BWIDth: INTegration(?)	No equivalent command	
[:SENSe]:FLCDMA2K]:RLCDMA2K: CHPower:FILTer:COEFFicient(?)	No equivalent command	
[:SENSe]:FLCDMA2K]:RLCDMA2K: CHPower:FILTer:TYPE(?)	No equivalent command	
[:SENSe]:FLCDMA2K]:RLCDMA2K: CHPower:LIMit]:STATe]?)	No equivalent command	
[:SENSe]:FLCDMA2K]:RLCDMA2K: IM:BANDwidth]:BWIDth: INTegration(?)	No equivalent command	
[:SENSe]:FLCDMA2K]:RLCDMA2K: IM:FILTer:COEFFicient(?)	No equivalent command	
[:SENSe]:FLCDMA2K]:RLCDMA2K: IM:FILTer:TYPE(?)	No equivalent command	
[:SENSe]:FLCDMA2K]:RLCDMA2K: IM:LIMit:FORDER]:STATe]?)	No equivalent command	
[:SENSe]:FLCDMA2K]:RLCDMA2K: IM:LIMit:TORDER]:STATe]?)	No equivalent command	
[:SENSe]:FLCDMA2K]:RLCDMA2K: IM:SCOFset(?)	No equivalent command	

Table F-65: Sense commands (cont.)

RSA3000 commands	RSA6100A/RSA5100A commands	Description
[[:SENSe]:FLCDMA2K]:RLCDMA2K:MACCuracy:ACCThreshold(?)	No equivalent command	
[[:SENSe]:FLCDMA2K]:RLCDMA2K:MACCuracy:FILTer:MEASurement(?)	No equivalent command	
[[:SENSe]:FLCDMA2K]:RLCDMA2K:MACCuracy:IQSWap(?)	No equivalent command	
[[:SENSe]:FLCDMA2K]:RLCDMA2K:MACCuracy:LIMit:EVM:PEAK[:STATe](?)	No equivalent command	
[[:SENSe]:FLCDMA2K]:RLCDMA2K:MACCuracy:LIMit:EVM:RMS[:STATe](?)	No equivalent command	
[[:SENSe]:FLCDMA2K]:RLCDMA2K:MACCuracy:LIMit:PCDerror[:STATe](?)	No equivalent command	
[[:SENSe]:FLCDMA2K]:RLCDMA2K:MACCuracy:LIMit:RHO[:STATe](?)	No equivalent command	
[[:SENSe]:FLCDMA2K:MACCuracy:LIMit:TAU[:STATe](?)	No equivalent command	
[[:SENSe]:FLCDMA2K]:RLCDMA2K:MACCuracy:MLEVel(?)	No equivalent command	
[[:SENSe]:FLCDMA2K:MACCuracy:PNOFset(?)	No equivalent command	
[[:SENSe]:FLCDMA2K:MACCuracy:QOF(?)	No equivalent command	
[[:SENSe]:FLCDMA2K]:RLCDMA2K:MACCuracy:RCONfig(?)	No equivalent command	
[[:SENSe]:FLCDMA2K]:RLCDMA2K:MACCuracy:SElect:CODE(?)	No equivalent command	
[[:SENSe]:FLCDMA2K]:RLCDMA2K:MACCuracy:SElect:PCG(?)	No equivalent command	
[[:SENSe]:FLCDMA2K]:RLCDMA2K:MACCuracy:WCODE(?)	No equivalent command	
[[:SENSe]:FLCDMA2K]:RLCDMA2K:OBWidth:LIMit[:STATe](?)	No equivalent command	
[[:SENSe]:FLCDMA2K]:RLCDMA2K:OBWidth:PERCent(?)	No equivalent command	
[[:SENSe]:FLCDMA2K]:RLCDMA2K:PCCHannel:ACCThreshold(?)	No equivalent command	

Table F-65: Sense commands (cont.)

RSA3000 commands	RSA6100A/RSA5100A commands	Description
[:SENSe]:FLCDMA2K:RLCDMA2K: PCCHannel:FILTer:MEASurement(?)	No equivalent command	
[:SENSe]:FLCDMA2K:RLCDMA2K: PCCHannel:IQSWap(?)	No equivalent command	
[:SENSe]:FLCDMA2K:RLCDMA2K: PCCHannel:LIMit:PHASe[:STATe](?)	No equivalent command	
[:SENSe]:FLCDMA2K:RLCDMA2K: PCCHannel:LIMit:TIME[:STATe](?)	No equivalent command	
[:SENSe]:FLCDMA2K:PCCHannel: PNOFset(?)	No equivalent command	
[:SENSe]:FLCDMA2K:RLCDMA2K: PCCHannel:RCONfig(?)	No equivalent command	
[:SENSe]:FLCDMA2K:RLCDMA2K: PCCHannel:SElect:CODE(?)	No equivalent command	
[:SENSe]:FLCDMA2K:RLCDMA2K: PCCHannel:SElect:PCG(?)	No equivalent command	
[:SENSe]:FLCDMA2K:RLCDMA2K: PCCHannel:WCODe(?)	No equivalent command	
[:SENSe]:RLCDMA2K:PVTime: BURSt:GATE(?)	No equivalent command	
[:SENSe]:RLCDMA2K:PVTime: BURSt:OFFSet(?)	No equivalent command	
[:SENSe]:RLCDMA2K:PVTime: BURSt:SYNC(?)	No equivalent command	
[:SENSe]:RLCDMA2K:PVTime:LIMit: ZONE<x>[:STATe](?)	No equivalent command	
[:SENSe]:RLCDMA2K:PVTime: RCHannel:LEVel(?)	No equivalent command	
[:SENSe]:RLCDMA2K:PVTime: RCHannel:MODE(?)	No equivalent command	
[:SENSe]:FLCDMA2K:RLCDMA2K: SEMAsk:BANDwidth]:BWIDth: INTegration(?)	No equivalent command	
[:SENSe]:FLCDMA2K:RLCDMA2K: SEMAsk:FILTer:COEFFicient(?)	No equivalent command	
[:SENSe]:FLCDMA2K:RLCDMA2K: SEMAsk:FILTer:TYPE(?)	No equivalent command	

Table F-65: Sense commands (cont.)

RSA3000 commands	RSA6100A/RSA5100A commands	Description
[[:SENSe]:FLCDMA2K]:RLCDMA2K: SEMAsk:LIMit:ISPurious:ZONE<x>[: STATe] (?)	No equivalent command	
[[:SENSe]:FLCDMA2K]:RLCDMA2K: SEMAsk:LIMit:OFCHannel: ZONE<x>[:STATe](?)	No equivalent command	
[[:SENSe]:FLCDMA2K]:RLCDMA2K: SEMAsk:MEASurement(?)	No equivalent command	
[[:SENSe]:FLCDMA2K]:RLCDMA2K: SEMAsk:RCHannel:LEVel(?)	No equivalent command	
[[:SENSe]:FLCDMA2K]:RLCDMA2K: SEMAsk:RCHannel:MODE(?)	No equivalent command	
[[:SENSe]:FL1XEVD0]:RL1XEVD0: ACQquisition:CHIPs(?)	No equivalent command	
[[:SENSe]:FL1XEVD0]:RL1XEVD0: ACQquisition:HISTory(?)	No equivalent command	
[[:SENSe]:FL1XEVD0]:RL1XEVD0: ACQquisition:SEConds(?)	No equivalent command	
[[:SENSe]:FL1XEVD0]:RL1XEVD0: ANALysis:INTerval(?)	No equivalent command	
[[:SENSe]:FL1XEVD0]:RL1XEVD0: ANALysis:OFFSet(?)	No equivalent command	
[[:SENSe]:FL1XEVD0]:RL1XEVD0: BLOCk(?)	No equivalent command	
[[:SENSe]:FL1XEVD0]:RL1XEVD0[: IMMediate]	No equivalent command	
[[:SENSe]:FL1XEVD0]:RL1XEVD0: MEASurement(?)	No equivalent command	
[[:SENSe]:FL1XEVD0]:RL1XEVD0: SPECtrum:OFFSet(?)	No equivalent command	
[[:SENSe]:FL1XEVD0]:RL1XEVD0: SPECtrum:TINTerval?	No equivalent command	
[[:SENSe]:FL1XEVD0]:RL1XEVD0: ACPower:BANDwidth:BWIDth: INTegration(?)	No equivalent command	
[[:SENSe]:FL1XEVD0]:RL1XEVD0: ACPower:FILTer:COEFFicient(?)	No equivalent command	
[[:SENSe]:FL1XEVD0]:RL1XEVD0: ACPower:FILTer:TYPE(?)	No equivalent command	

Table F-65: Sense commands (cont.)

RSA3000 commands	RSA6100A/RSA5100A commands	Description
[:SENSe]:FL1XEVD0:RL1XEVD0: ACPower:LIMit:ADJacent<x>[: STATe](?)	No equivalent command	
[:SENSe]:FL1XEVD0:RL1XEVD0: CCDF:RMEasurement	No equivalent command	
[:SENSe]:FL1XEVD0:RL1XEVD0: CCDF:THReshold(?)	No equivalent command	
[:SENSe]:FL1XEVD0:RL1XEVD0: CDPower:ACCThreshold(?)	No equivalent command	
[:SENSe]:FL1XEVD0:CDPower: CHANnel[:TYPE](?)	No equivalent command	
[:SENSe]:FL1XEVD0:RL1XEVD0: CDPower:FILTer:MEASurement(?)	No equivalent command	
[:SENSe]:FL1XEVD0:RL1XEVD0: CDPower:IQSWap(?)	No equivalent command	
[:SENSe]:RL1XEVD0:CDPower: LCMask:I(?)	No equivalent command	
[:SENSe]:RL1XEVD0:CDPower: LCMask:Q(?)	No equivalent command	
[:SENSe]:FL1XEVD0:RL1XEVD0: CDPower:MLEVel(?)	No equivalent command	
[:SENSe]:FL1XEVD0:CDPower: PNOFset(?)	No equivalent command	
[:SENSe]:FL1XEVD0:RL1XEVD0: CDPower:SElect:CODE(?)	No equivalent command	
[:SENSe]:FL1XEVD0:RL1XEVD0: CDPower:SElect:HSLot(?)	No equivalent command	
[:SENSe]:FL1XEVD0:RL1XEVD0: CHPower:BANDwidth BWIDth: INTegration(?)	No equivalent command	
[:SENSe]:FL1XEVD0:RL1XEVD0: CHPower:FILTer:COEFFicient(?)	No equivalent command	
[:SENSe]:FL1XEVD0:RL1XEVD0: CHPower:FILTer:TYPE(?)	No equivalent command	
[:SENSe]:FL1XEVD0:RL1XEVD0: CHPower:LIMit[:STATe](?)	No equivalent command	
[:SENSe]:FL1XEVD0:RL1XEVD0: IM:BANDwidth BWIDth: INTegration(?)	No equivalent command	

Table F-65: Sense commands (cont.)

RSA3000 commands	RSA6100A/RSA5100A commands	Description
[;SENSe]:FL1XEVD0];RL1XEVD0: IM:FILTer:COEFficient(?)	No equivalent command	
[;SENSe]:FL1XEVD0];RL1XEVD0: IM:FILTer:TYPE(?)	No equivalent command	
[;SENSe]:FL1XEVD0];RL1XEVD0: IM:LIMit:FORDER[:STATe](?)	No equivalent command	
[;SENSe]:FL1XEVD0];RL1XEVD0: IM:LIMit:TORDER[:STATe](?)	No equivalent command	
[;SENSe]:FL1XEVD0];RL1XEVD0: IM:SCOFfset(?)	No equivalent command	
[;SENSe]:FL1XEVD0];RL1XEVD0: MACCuracy:ACCThreshold(?)	No equivalent command	
[;SENSe]:FL1XEVD0:MACCuracy: CHANnel[:TYPE](?)	No equivalent command	
[;SENSe]:FL1XEVD0]: RL1XEVD0:MACCuracy:FILTer: MEASurement(?)	No equivalent command	
[;SENSe]:FL1XEVD0];RL1XEVD0: MACCuracy:IQSWap(?)	No equivalent command	
[;SENSe]:RL1XEVD0:MACCuracy: LCMask:l(?)	No equivalent command	
[;SENSe]:RL1XEVD0:MACCuracy: LCMask:Q(?)	No equivalent command	
[;SENSe]:FL1XEVD0];RL1XEVD0: MACCuracy:LIMit:EVM:PEAK[: STATe](?)	No equivalent command	
[;SENSe]:FL1XEVD0];RL1XEVD0: MACCuracy:LIMit:EVM:RMS[: STATe](?)	No equivalent command	
[;SENSe]:FL1XEVD0];RL1XEVD0: MACCuracy:LIMit:PCDerror[: STATe](?)	No equivalent command	
[;SENSe]:FL1XEVD0];RL1XEVD0: MACCuracy:LIMit:RHO[:STATe](?)	No equivalent command	
[;SENSe]:FL1XEVD0:MACCuracy: LIMit:TAU[:STATe](?)	No equivalent command	
[;SENSe]:FL1XEVD0];RL1XEVD0: MACCuracy:MLEVel(?)	No equivalent command	
[;SENSe]:FL1XEVD0:MACCuracy: PNOFfset(?)	No equivalent command	



Table F-65: Sense commands (cont.)

RSA3000 commands	RSA6100A/RSA5100A commands	Description
[:SENSe]:FL1XEVD0[:RL1XEVD0]:MACCuracy:SElect:CODE(?)	No equivalent command	
[:SENSe]:FL1XEVD0[:RL1XEVD0]:MACCuracy:SElect:HSLot(?)	No equivalent command	
[:SENSe]:FL1XEVD0[:RL1XEVD0]:OBWidth:LIMit[:STATe](?)	No equivalent command	
[:SENSe]:FL1XEVD0[:RL1XEVD0]:OBWidth:PERCent(?)	No equivalent command	
[:SENSe]:FL1XEVD0[:RL1XEVD0]:PCCHannel:ACCThreshold(?)	No equivalent command	
[:SENSe]:FL1XEVD0:PCCHannel:CHANnel[:TYPE](?)	No equivalent command	
[:SENSe]:FL1XEVD0[:RL1XEVD0]:PCCHannel:FILTer:MEASurement(?)	No equivalent command	
[:SENSe]:FL1XEVD0[:RL1XEVD0]:PCCHannel:IQSWap(?)	No equivalent command	
[:SENSe]:RL1XEVD0:PCCHannel:LCMask:I(?)	No equivalent command	
[:SENSe]:RL1XEVD0:PCCHannel:LCMask:Q(?)	No equivalent command	
[:SENSe]:FL1XEVD0[:RL1XEVD0]:PCCHannel:LIMit:PHASe[:STATe](?)	No equivalent command	
[:SENSe]:FL1XEVD0[:RL1XEVD0]:PCCHannel:LIMit:TIME[:STATe](?)	No equivalent command	
[:SENSe]:FL1XEVD0:PCCHannel:PNOFFset(?)	No equivalent command	
[:SENSe]:FL1XEVD0[:RL1XEVD0]:PCCHannel:SElect:CODE(?)	No equivalent command	
[:SENSe]:FL1XEVD0[:RL1XEVD0]:PCCHannel:SElect:HSLot(?)	No equivalent command	
[:SENSe]:FL1XEVD0:PVTime:BURSt:OFFSet(?)	No equivalent command	
[:SENSe]:FL1XEVD0:PVTime:BURSt:SYNC(?)	No equivalent command	
[:SENSe]:FL1XEVD0:PVTime:LIMit:ZONE[:STATe](?)	No equivalent command	
[:SENSe]:FL1XEVD0:PVTime:RCHannel:LEVel(?)	No equivalent command	

**Table F-65: Sense commands (cont.)**

<b>RSA3000 commands</b>	<b>RSA6100A/RSA5100A commands</b>	<b>Description</b>
[.SENSe]:FL1XEVD0:PVTime: RCHannel:MODE(?)	No equivalent command	
[.SENSe]:FL1XEVD0:PVTime: SLOT[:TYPE](?)	No equivalent command	
[.SENSe]:FL1XEVD0;RL1XEVD0: SEMAsk:BANDwidth :BWiDth: INTegration(?)	No equivalent command	
[.SENSe]:FL1XEVD0:SEMAsk: BURSt:OFFSet(?)	No equivalent command	
[.SENSe]:FL1XEVD0:SEMAsk: BURSt:SYNC(?)	No equivalent command	
[.SENSe]:FL1XEVD0;RL1XEVD0: SEMAsk:FILTer:COEFficient(?)	No equivalent command	
[.SENSe]:FL1XEVD0;RL1XEVD0: SEMAsk:FILTer:TYPE(?)	No equivalent command	
[.SENSe]:FL1XEVD0;RL1XEVD0: SEMAsk:LIMit:ISPurious:ZONE<x>[: STATe](?)	No equivalent command	
[.SENSe]:FL1XEVD0;RL1XEVD0: SEMAsk:LIMit:OFCHannel: ZONE<x>[:STATe](?)	No equivalent command	
[.SENSe]:FL1XEVD0;RL1XEVD0: SEMAsk:MEASurement(?)	No equivalent command	
[.SENSe]:FL1XEVD0;RL1XEVD0: SEMAsk:RCHannel:LEVel(?)	No equivalent command	
[.SENSe]:FL1XEVD0;RL1XEVD0: SEMAsk:RCHannel:MODE(?)	No equivalent command	
[.SENSe]:FL1XEVD0;RL1XEVD0: SEMAsk:SLOT:GATE(?)	No equivalent command	
[.SENSe]:FL1XEVD0:SEMAsk: SLOT[:TYPE](?)	No equivalent command	
[.SENSe]:TD_SCDMA:BLOCK(?)	No equivalent command	
[.SENSe]:TD_SCDMA:FILTer: MEASurement(?)	No equivalent command	
[.SENSe]:TD_SCDMA[:IMMediate]	No equivalent command	
[.SENSe]:TD_SCDMA: MEASurement(?)	No equivalent command	
[.SENSe]:TD_SCDMA:ACLR: DIRection?	No equivalent command	

Table F-65: Sense commands (cont.)

RSA3000 commands	RSA6100A/RSA5100A commands	Description
[SENSe]:TD_SCDMA:ACLR:LIMit:ADJacent<x>[:STATe](?)	No equivalent command	
[SENSe]:TD_SCDMA:ACQuisition:HISTory(?)	No equivalent command	
[SENSe]:TD_SCDMA:ACQuisition:SECOnds?	No equivalent command	
[SENSe]:TD_SCDMA:ACQuisition:SFRames(?)	No equivalent command	
[SENSe]:TD_SCDMA:ANALysis:CHANnel:THReshold(?)	No equivalent command	
[SENSe]:TD_SCDMA:ANALysis:INTerval(?)	No equivalent command	
[SENSe]:TD_SCDMA:ANALysis:OFFSet[:CHIPs](?)	No equivalent command	
[SENSe]:TD_SCDMA:ANALysis:OFFSet:DFRequency(?)	No equivalent command	
[SENSe]:TD_SCDMA:ANALysis:OFFSet:IQ(?)	No equivalent command	
[SENSe]:TD_SCDMA:ANALysis:REFerence:SFRame(?)	No equivalent command	
[SENSe]:TD_SCDMA:ANALysis:REFerence:TFFHase(?)	No equivalent command	
[SENSe]:TD_SCDMA:ANALysis:REFerence:TIME(?)	No equivalent command	
[SENSe]:TD_SCDMA:ANALysis:REFerence:TIME:UTSPattern(?)	No equivalent command	
[SENSe]:TD_SCDMA:ANALysis:TSLot(?)	No equivalent command	
[SENSe]:TD_SCDMA:ANALysis:TSLot:THReshold(?)	No equivalent command	
[SENSe]:TD_SCDMA:CHPower:BANDwidth[:BWIDTH:INTegration(?)	No equivalent command	
[SENSe]:TD_SCDMA:CHPower:DIRection?	No equivalent command	
[SENSe]:TD_SCDMA:CHPower:LIMit[:STATe](?)	No equivalent command	
[SENSe]:TD_SCDMA:IM:BANDwidth[:BWIDTH:INTegration(?)	No equivalent command	

Table F-65: Sense commands (cont.)

RSA3000 commands	RSA6100A/RSA5100A commands	Description
[SENSe]:TD_SCDMA:IM:DIRrection?	No equivalent command	
[SENSe]:TD_SCDMA:IM:LIMit:FORDer[:STATe](?)	No equivalent command	
[SENSe]:TD_SCDMA:IM:LIMit:TORDer[:STATe](?)	No equivalent command	
[SENSe]:TD_SCDMA:IM:SCOFfset(?)	No equivalent command	
[SENSe]:TD_SCDMA:MACCuracy:DIRrection? (Query Only)	No equivalent command	
[SENSe]:TD_SCDMA:MACCuracy:LIMit:EVM:PEAK[:STATe](?)	No equivalent command	
[SENSe]:TD_SCDMA:MACCuracy:LIMit:EVM:RMS[:STATe](?)	No equivalent command	
[SENSe]:TD_SCDMA:MACCuracy:LIMit:PCDerror[:STATe](?)	No equivalent command	
[SENSe]:TD_SCDMA:MACCuracy:LIMit:RHO[:STATe](?)	No equivalent command	
[SENSe]:TD_SCDMA:MODulation:CONTRol(?)	No equivalent command	
[SENSe]:TD_SCDMA:MODulation:K:NZERo(?)	No equivalent command	
[SENSe]:TD_SCDMA:MODulation:K:ZERo(?)	No equivalent command	
[SENSe]:TD_SCDMA:MODulation:SCODE(?)	No equivalent command	
[SENSe]:TD_SCDMA:MODulation:SPOint(?)	No equivalent command	
[SENSe]:TD_SCDMA:MODulation:SYNC:DOWNlink(?)	No equivalent command	
[SENSe]:TD_SCDMA:MODulation:SYNC:UPLink(?)	No equivalent command	
[SENSe]:TD_SCDMA:OBWidth:DIRrection?	No equivalent command	
[SENSe]:TD_SCDMA:OBWidth:LIMit[:STATe](?)	No equivalent command	
[SENSe]:TD_SCDMA:OBWidth:PERCent(?)	No equivalent command	

Table F-65: Sense commands (cont.)

RSA3000 commands	RSA6100A/RSA5100A commands	Description
[:SENSe]:TD_SCDMA:SElect:CODE(?)	No equivalent command	
[:SENSe]:TD_SCDMA:SElect:SFRame(?)	No equivalent command	
[:SENSe]:TD_SCDMA:SElect:TSLot(?)	No equivalent command	
[:SENSe]:TD_SCDMA:SEMask:BANDwidth :BWIDth:INTegration(?)	No equivalent command	
[:SENSe]:TD_SCDMA:SEMask:DIRection(?)	No equivalent command	
[:SENSe]:TD_SCDMA:SEMask:LIMit:ISPurious:ZONE<x>[:STATe](?)	No equivalent command	
[:SENSe]:TD_SCDMA:SEMask:LIMit:OFChannel:ZONE<x>[:STATe](?)	No equivalent command	
[:SENSe]:TD_SCDMA:SEMask:MEASurement(?)	No equivalent command	
[:SENSe]:TD_SCDMA:SEMask:RCHannel:LEVel(?)	No equivalent command	
[:SENSe]:TD_SCDMA:SEMask:RCHannel:MODE(?)	No equivalent command	
[:SENSe]:TD_SCDMA:SPECTrum:OFFSet(?)	No equivalent command	
[:SENSe]:TD_SCDMA:SPECTrum:TINterval?	No equivalent command	
[:SENSe]:TD_SCDMA:STABLE:TPCSs:COUNT(?)	No equivalent command	
[:SENSe]:TD_SCDMA:STABLE:TPCSs:SElect(?)	No equivalent command	
[:SENSe]:TD_SCDMA:TOOMask:DIRection?	No equivalent command	
[:SENSe]:TD_SCDMA:TOOMask:LIMit:LEVel:MRAMP[:STATe](?)	No equivalent command	
[:SENSe]:TD_SCDMA:TOOMask:LIMit:LEVel:ONOFF[:STATe](?)	No equivalent command	
[:SENSe]:M2WLAN:ACQuisition:HISTory(?)	No equivalent command	

Table F-65: Sense commands (cont.)

RSA3000 commands	RSA6100A/RSA5100A commands	Description
[[:SENSe]:M2WLAN:ACQuisition:SEConds(?]	No equivalent command	
[[:SENSe]:M2WLAN:ANALysis:LENGth(?]	No equivalent command	
[[:SENSe]:M2WLAN:ANALysis:OFFSet(?]	No equivalent command	
[[:SENSe]:M2WLAN:ANALysis:SYNC(?]	No equivalent command	
[[:SENSe]:M2WLAN:BLOCK(?]	No equivalent command	
[[:SENSe]:M2WLAN[:IMMediate]	No equivalent command	
[[:SENSe]:M2WLAN:MEASurement(?]	No equivalent command	
[[:SENSe]:M2WLAN:PACKet[:NUMBer](?]	No equivalent command	
[[:SENSe]:M2WLAN:SPECTrum:OFFSet(?]	No equivalent command	
[[:SENSe]:M2WLAN:SSEGment[:NUMBer](?]	No equivalent command	
[[:SENSe]:M2WLAN:SUBCarrier[:NUMBer](?]	No equivalent command	
[[:SENSe]:M2WLAN:SUBCarrier:SELEct(?]	No equivalent command	
[[:SENSe]:M2WLAN:TXAntenna:SELEct (?]	No equivalent command	
[[:SENSe]:SWLAN:ACQuisition:HISTory(?]	No equivalent command	
[[:SENSe]:SWLAN:ACQuisition:SEConds(?]	No equivalent command	
[[:SENSe]:SWLAN:ANALysis:EQUalization[:STATe](?]	No equivalent command	
[[:SENSe]:SWLAN:ANALysis:LENGth(?]	No equivalent command	
[[:SENSe]:SWLAN:ANALysis:OFFSet(?]	No equivalent command	
[[:SENSe]:SWLAN:ANALysis:SFORMat(?]	No equivalent command	
[[:SENSe]:SWLAN:ANALysis:SYNC(?]	No equivalent command	

Table F-65: Sense commands (cont.)

RSA3000 commands	RSA6100A/RSA5100A commands	Description
[:SENSe]:SWLAN:BLOCK(?)	No equivalent command	
[:SENSe]:SWLAN[:IMMEDIATE]	No equivalent command	
[:SENSe]:SWLAN:MEASUREMENT(?)	No equivalent command	
[:SENSe]:SWLAN:PACKET[:NUMBER](?)	No equivalent command	
[:SENSe]:SWLAN:SMASK[:SELECT](?)	No equivalent command	
[:SENSe]:SWLAN:SPECTRUM:OFFSET(?)	No equivalent command	
[:SENSe]:SWLAN:SSEGMENT[:NUMBER](?)	No equivalent command	
[:SENSe]:SWLAN:SUBCARRIER[:NUMBER](?)	No equivalent command	
[:SENSe]:SWLAN:SUBCARRIER:SELECT(?)	No equivalent command	
[:SENSe]:SWLAN:TXANTENNA:SELECT(?)	No equivalent command	
[:SENSe]:WLAN:ACQUISITION:HISTORY(?)	No equivalent command	
[:SENSe]:WLAN:ACQUISITION:SECONDS(?)	No equivalent command	
[:SENSe]:WLAN:ANALYSIS:EQUALIZATION[:STATE](?)	No equivalent command	
[:SENSe]:WLAN:ANALYSIS:LENGTH(?)	No equivalent command	
[:SENSe]:WLAN:ANALYSIS:SYNC(?)	No equivalent command	
[:SENSe]:WLAN:BLOCK(?)	No equivalent command	
[:SENSe]:WLAN[:IMMEDIATE]	No equivalent command	
[:SENSe]:WLAN:MEASUREMENT(?)	No equivalent command	
[:SENSe]:WLAN:SMASK[:SELECT](?)	No equivalent command	
[:SENSe]:WLAN:SPECTRUM:OFFSET(?)	No equivalent command	
[:SENSe]:WLAN:SSEGMENT[:NUMBER](?)	No equivalent command	
[:SENSe]:WLAN:SUBCARRIER[:NUMBER](?)	No equivalent command	

Table F-65: Sense commands (cont.)

RSA3000 commands	RSA6100A/RSA5100A commands	Description
[.SENSe]:WLAN:SUBCarrier:SELEct(?)	No equivalent command	
[.SENSe]:WLAN:TPOWer:BURSt:INDEx(?)	No equivalent command	
[.SENSe]:WLAN:TPOWer:SLOPe(?)	No equivalent command	
[.SENSe]:AC3Gpp:FILTer:ALPHa(?)	No equivalent command	
[.SENSe]:AC3Gpp:FILTer:TYPE(?)	No equivalent command	
[.SENSe]:DLR5_3GPP:BLOCK(?)	No equivalent command	
[.SENSe]:DLR5_3GPP:CARRier:OFFSet(?)	No equivalent command	
[.SENSe]:DLR5_3GPP:CARRier:SEARch(?)	No equivalent command	
[.SENSe]:DLR5_3GPP:COMPosite(?)	No equivalent command	
[.SENSe]:DLR5_3GPP:DTYPE:SEARch(?)	No equivalent command	
[.SENSe]:DLR5_3GPP:EVM:IQOffset(?)	No equivalent command	
[.SENSe]:DLR5_3GPP:FILTer:ALPHa(?)	No equivalent command	
[.SENSe]:DLR5_3GPP:FILTer:MEASurement(?)	No equivalent command	
[.SENSe]:DLR5_3GPP:FILTer:REFerence(?)	No equivalent command	
[.SENSe]:DLR5_3GPP:[IMMEdiate]	No equivalent command	
[.SENSe]:DLR5_3GPP:LENGth(?)	No equivalent command	
[.SENSe]:DLR5_3GPP:OFFSet(?)	No equivalent command	
[.SENSe]:DLR5_3GPP:SCHPart(?)	No equivalent command	
[.SENSe]:DLR5_3GPP:SCODE:ALTErnative(?)	No equivalent command	
[.SENSe]:DLR5_3GPP:SCODE:NUMBer(?)	No equivalent command	
[.SENSe]:DLR5_3GPP:SCODE:SEARch(?)	No equivalent command	
[.SENSe]:SADLR5_3GPP:SAULR5_3GPP:ACLR:FILTer:COEFFicient(?)	No equivalent command	



Table F-65: Sense commands (cont.)

RSA3000 commands	RSA6100A/RSA5100A commands	Description
[:SENSe]:SADLR5_3GPP: SAULR5_3GPP:ACLR:FILTer: TYPE(?)	No equivalent command	
[:SENSe]:SADLR5_3GPP: SAULR5_3GPP:ACLR:LIMit: ADJacent<x>[:STATe](?)	No equivalent command	
[:SENSe]:SADLR5_3GPP: SAULR5_3GPP:ACLR: NCORrection(?)	No equivalent command	
[:SENSe]:SADLR5_3GPP: SAULR5_3GPP:ACLR:SWEEp(?)	No equivalent command	
[:SENSe]:SADLR5_3GPP: SAULR5_3GPP:CFRequency: CRESolution(?)	No equivalent command	
[:SENSe]:SADLR5_3GPP: SAULR5_3GPP:CHPower: BANDwidth :BWIDth:INTegration(?)	No equivalent command	
[:SENSe]:SADLR5_3GPP: SAULR5_3GPP:CHPower:FILTer: COEFFicient(?)	No equivalent command	
[:SENSe]:SADLR5_3GPP: SAULR5_3GPP:CHPower:FILTer: TYPE(?)	No equivalent command	
[:SENSe]:SADLR5_3GPP: SAULR5_3GPP:CHPower:LIMit[: STATe](?)	No equivalent command	
[:SENSe]:SADLR5_3GPP: SAULR5_3GPP:EBWidth:XDB(?)	No equivalent command	
[:SENSe]:SADLR5_3GPP:MCAClr: CARRier[:THReshold](?)	No equivalent command	
[:SENSe]:SADLR5_3GPP:MCAClr: FILTer:COEFFicient(?)	No equivalent command	
[:SENSe]:SADLR5_3GPP:MCAClr: FILTer:TYPE(?)	No equivalent command	
[:SENSe]:SADLR5_3GPP:MCAClr: LIMit:ADJacent<x>[:STATe](?)	No equivalent command	
[:SENSe]:SADLR5_3GPP:MCAClr: NCORrection(?)	No equivalent command	
[:SENSe]:SADLR5_3GPP: SAULR5_3GPP:OBWidth:LIMit[: STATe](?)	No equivalent command	

Table F-65: Sense commands (cont.)

RSA3000 commands	RSA6100A/RSA5100A commands	Description
[[:SENSe]:SADLR5_3GPP]: SAULR5_3GPP:OBWidth: PERCent(?)	No equivalent command	
[[:SENSe]:SADLR5_3GPP]: SAULR5_3GPP:SEMask: BANDwidth :BWIDth:INTegration(?)	No equivalent command	
[[:SENSe]:SADLR5_3GPP]: SAULR5_3GPP:SEMask:FILTer: COEFFicient(?)	No equivalent command	
[[:SENSe]:SADLR5_3GPP]: SAULR5_3GPP:SEMask:FILTer: TYPE(?)	No equivalent command	
[[:SENSe]:SADLR5_3GPP]: SAULR5_3GPP:SEMask:LIMit: ZONE<x>[:STATe](?)	No equivalent command	
[[:SENSe]:SADLR5_3GPP]: SAULR5_3GPP:SEMask:RCHannel: LEVel(?)	No equivalent command	
[[:SENSe]:SADLR5_3GPP]: SAULR5_3GPP:SEMask:RCHannel: MODE(?)	No equivalent command	
[[:SENSe]:UL3Gpp:BLOCK(?)	No equivalent command	
[[:SENSe]:UL3Gpp:CARRier: OFFSet(?)	No equivalent command	
[[:SENSe]:UL3Gpp:CARRier: SEARch(?)	No equivalent command	
[[:SENSe]:UL3Gpp:FILTer:ALPHa(?)	No equivalent command	
[[:SENSe]:UL3Gpp:FILTer: MEASurement(?)	No equivalent command	
[[:SENSe]:UL3Gpp:FILTer: REFerence(?)	No equivalent command	
[[:SENSe]:UL3Gpp[:IMMediate]	No equivalent command	
[[:SENSe]:UL3Gpp:LENGth(?)	No equivalent command	
[[:SENSe]:UL3Gpp:MMODE(?)	No equivalent command	
[[:SENSe]:UL3Gpp:OFFSet(?)	No equivalent command	
[[:SENSe]:UL3Gpp:SCODE: NUMBer(?)	No equivalent command	
[[:SENSe]:UL3Gpp:SCODE:TYPE(?)	No equivalent command	
[[:SENSe]:UL3Gpp:THReshold(?)	No equivalent command	

Table F-65: Sense commands (cont.)

RSA3000 commands	RSA6100A/RSA5100A commands	Description
[:SENSe]:ULR5_3GPP:BLOCK(?)	No equivalent command	
[:SENSe]:ULR5_3GPP:CARRier:OFFSet(?)	No equivalent command	
[:SENSe]:ULR5_3GPP:CARRier:SEARch(?)	No equivalent command	
[:SENSe]:ULR5_3GPP:FILTer:ALPHa(?)	No equivalent command	
[:SENSe]:ULR5_3GPP:FILTer:MEASurement(?)	No equivalent command	
[:SENSe]:ULR5_3GPP:FILTer:REFerence(?)	No equivalent command	
[:SENSe]:ULR5_3GPP[:IMMediate]	No equivalent command	
[:SENSe]:ULR5_3GPP:LENGth(?)	No equivalent command	
[:SENSe]:ULR5_3GPP:OFFSet(?)	No equivalent command	
[:SENSe]:ULR5_3GPP:SCODE:NUMBer(?)	No equivalent command	
[:SENSe]:ULR5_3GPP:SCODE:TYPE(?)	No equivalent command	
[:SENSe]:ULR5_3GPP:SFRame:OFFSet:DTIME(?)	No equivalent command	
[:SENSe]:ULR5_3GPP:SFRame:SEARch(?)	No equivalent command	
[:SENSe]:ULR5_3GPP:UANResult	No equivalent command	
[:SENSe]:DLR6_3GPP:BLOCK(?)	No equivalent command	
[:SENSe]:DLR6_3GPP:CARRier:OFFSet(?)	No equivalent command	
[:SENSe]:DLR6_3GPP:CARRier:SEARch(?)	No equivalent command	
[:SENSe]:DLR6_3GPP:CCODE:EAGCh(?)	No equivalent command	
[:SENSe]:DLR6_3GPP:CCODE:ERGCh(?)	No equivalent command	
[:SENSe]:DLR6_3GPP:COMPosite(?)	No equivalent command	
[:SENSe]:DLR6_3GPP:DTYPE:SEARch(?)	No equivalent command	
[:SENSe]:DLR6_3GPP:EVM:IQOffset(?)	No equivalent command	

Table F-65: Sense commands (cont.)

RSA3000 commands	RSA6100A/RSA5100A commands	Description
[.SENSe]:DLR6_3GPP:FiLTer:ALPHa(?)	No equivalent command	
[.SENSe]:DLR6_3GPP:FiLTer:MEASurement(?)	No equivalent command	
[.SENSe]:DLR6_3GPP:FiLTer:REFeRence(?)	No equivalent command	
[.SENSe]:DLR6_3GPP[:IMMediate]	No equivalent command	
[.SENSe]:DLR6_3GPP:LENGth(?)	No equivalent command	
[.SENSe]:DLR6_3GPP:OFFSet(?)	No equivalent command	
[.SENSe]:DLR6_3GPP:SCHPart(?)	No equivalent command	
[.SENSe]:DLR6_3GPP:SCODE:ALTeRnative(?)	No equivalent command	
[.SENSe]:DLR6_3GPP:SCODE:NUMBer(?)	No equivalent command	
[.SENSe]:DLR6_3GPP:SCODE:SEARCh(?)	No equivalent command	
[.SENSe]:DLR6_3GPP:SSINdex:EAGCh(?)	No equivalent command	
[.SENSe]:DLR6_3GPP:SSINdex:ERGCh(?)	No equivalent command	
[.SENSe]:DLR6_3GPP:UTSTable	No equivalent command	
[.SENSe]:ULR6_3GPP:BLOCK(?)	No equivalent command	
[.SENSe]:ULR6_3GPP:CARRier:OFFSet(?)	No equivalent command	
[.SENSe]:ULR6_3GPP:CARRier:SEARCh(?)	No equivalent command	
[.SENSe]:ULR6_3GPP:CCONfig(?)	No equivalent command	
[.SENSe]:ULR6_3GPP:DFORmat(?)	No equivalent command	
[.SENSe]:ULR6_3GPP:EVM:IQOffset(?)	No equivalent command	
[.SENSe]:ULR6_3GPP:EVM:TPERiods(?)	No equivalent command	
[.SENSe]:ULR6_3GPP:FiLTer:ALPHa(?)	No equivalent command	
[.SENSe]:ULR6_3GPP:FiLTer:MEASurement(?)	No equivalent command	

**Table F-65: Sense commands (cont.)**

<b>RSA3000 commands</b>	<b>RSA6100A/RSA5100A commands</b>	<b>Description</b>
[:SENSe]:ULR6_3GPP:FILTer:REFerence(?)	No equivalent command	
[:SENSe]:ULR6_3GPP[:IMMediate]	No equivalent command	
[:SENSe]:ULR6_3GPP:LENGth(?)	No equivalent command	
[:SENSe]:ULR6_3GPP:OFFSet(?)	No equivalent command	
[:SENSe]:ULR6_3GPP:SCODE:NUMBer(?)	No equivalent command	
[:SENSe]:ULR6_3GPP:SCODE:TYPE(?)	No equivalent command	
[:SENSe]:ULR6_3GPP:SFRame:OFFSet:DTIME(?)	No equivalent command	
[:SENSe]:ULR6_3GPP:SFRame:OFFSet[:STSLot](?)	No equivalent command	
[:SENSe]:ULR6_3GPP:SFRame:SEARch(?)	No equivalent command	
[:SENSe]:ULR6_3GPP:SFRame:TOLerance(?)	No equivalent command	
[:SENSe]:ULR6_3GPP:THReshold[:BURSt](?)	No equivalent command	
[:SENSe]:ULR6_3GPP:THReshold:DTX(?)	No equivalent command	
[:SENSe]:ULR6_3GPP:UTSTable	No equivalent command	

## Status Command Group

**Table F-66: Status commands**

<b>RSA3000 commands</b>	<b>RSA6100A/RSA5100A commands</b>	<b>Description</b>
STATus:OPERation:CONDition?	STATus:OPERation:CONDition?	Queries the contents of the OCR.
STATus:OPERation:ENABLE(?)	STATus:OPERation:ENABLE	Sets the mask for the OENR.
STATus:OPERation[:EVENT]?	STATus:OPERation[:EVENT]?	Queries the contents of the OEVR.
STATus:OPERation:NTRansition(?)	STATus:OPERation:NTRansition	Sets the value of the negative transition filter.
STATus:OPERation:PTRansition(?)	STATus:OPERation:PTRansition	Sets the value of the positive transition filter.
STATus:PRESet	STATus:PRESet	Presets a status byte.
STATus:QUESTionable:CONDition?	STATus:QUESTionable:CONDition?	Queries the contents of the QCR.
STATus:QUESTionable:ENABLE(?)	STATus:QUESTionable:ENABLE	Sets the mask for the OENR.

Table F-66: Status commands (cont.)

RSA3000 commands	RSA6100A/RSA5100A commands	Description
STATus:QUESTionable[:EVENT]?	STATus:QUESTionable[:EVENT]?	Queries the contents of the QER.
STATus:QUESTionable: NTRansition(?)	STATus:QUESTionable:NTRansition	Sets the value of the negative transition filter.
STATus:QUESTionable: PTRansition(?)	STATus:QUESTionable:PTRansition	Sets the value of the positive transition filter.

## System Command Group

Table F-67: System commands

RSA3000 commands	RSA6100A/RSA5100A commands	Description
SYSTem:DATE(?)	SYSTem:DATE	Sets or queries the current date.
SYSTem:ERRor:ALL?	SYSTem:ERRor:ALL?	Queries all the error or event information.
SYSTem:ERRor:CODE:ALL?	SYSTem:ERRor:CODE:ALL?	Queries all the error or event codes.
SYSTem:ERRor:CODE[:NEXT]?	SYSTem:ERRor:CODE[:NEXT]?	Queries the latest error or event information.
SYSTem:ERRor:COUNt?	SYSTem:ERRor:COUNt?	Queries the number of errors or events.
SYSTem:ERRor[:NEXT]?	SYSTem:ERRor[:NEXT]?	Queries the latest error or event information.
SYSTem:KLOCK(?)	No equivalent command	
SYSTem:OPTions?	SYSTem:OPTions?	Queries optional information.
SYSTem:PRESet	SYSTem:PRESet	Presets the instrument.
SYSTem:TIME(?)	SYSTem:TIME	Sets or queries the current time.
SYSTem:VERSion?	SYSTem:VERSion?	Queries the version of the SCPI.

## Trace Command Group

Table F-68: Trace commands

RSA3000 commands	RSA6100A/RSA5100A commands	Description
TRACe<x>[:DATA<x>]:AVERage: CLEar	TRACe<x>:AVTime:AVERage:RESet	Restarts acquisition and display of waveforms for the specified trace.
TRACe<x>[:DATA<x>]:AVERage: COUNt(?)	TRACe1:TOVerview:AVERage: COUNt	Sets or queries the number of traces averaged to generate the specified trace.

Table F-68: Trace commands (cont.)

RSA3000 commands	RSA6100A/RSA5100A commands	Description
TRACe<x> :DATA<x>:DDEtector(?)	TRACe1:TOVerview:DEtECTION	Enables or queries the type of detection for the specified trace.  In the RSA3000 series, the command accepts three arguments, MAXimum, MINimum, or PTPeak. In the RSA6100 series, the command accepts four arguments, AVERage, POSitive(Max), NEGative(Min), POSNegative, or SAMPlE.
TRACe<x> :DATA<x>:DPX: AVERage:COUNT(?)	TRACe<x>:DPX:AVERage:COUNT	Sets or queries the number of traces to combine for averaging in the DPX spectrum view.
TRACe<x> :DATA<x>:DPX:COLor: INTensity(?)	TRACe<x>:DPX:COLor:INTensity	Sets or queries the color intensity in the DPX spectrum view.
TRACe<x> :DATA<x>:DPX:DOT: PERSistent(?)	TRACe<x>:DPX:DOT:PERSistent	Determines whether to enable or disable the dot persistence for the Bitmap trace in the DPX spectrum view.
TRACe<x> :DATA<x>:DPX:DOT: PERSistent:TYPE(?)	TRACe<x>:DPX:DOT:PERSistent: TYPE	Sets or queries the persistence type for the bitmap trace in the DPX spectrum view.
TRACe<x> :DATA<x>:DPX:DOT: PERSistent:VARIable(?)	TRACe<x>:DPX:DOT:PERSistent: VARIable	Sets or queries how long data points are displayed.
TRACe<x> :DATA<x>:DPX: FREeze(?)	TRACe<x>:DPX:FREeze	Determines whether or not to freeze the display of the specified trace in the DPX spectrum view.
TRACe<x> :DATA<x>:DPX: MODE(?)	TRACe<x>:DPX:FUNCTion	Selects or queries how to display Trace 1 or 2 in the DPX spectrum view.  In the RSA3000 series, the command accepts six arguments: AVERage, MAXHold, MINHold, PPEak, MPEak, BITMap, or OFF. In the RSA6100A series, the command accepts only three arguments: NORMal, HOLD, or AVERage.
TRACe<x> :DATA<x>:MODE(?)	TRACe<x>:SPECTrum:FUNCTion	Sets or queries the function for the specified trace in the Spectrum view.  In the RSA3000 series, the command accepts six arguments: NORMal, AVERage, MAXHold, MINHold, FREeze, or OFF. In the RSA6100A series, the command accepts only three arguments: NORMal, HOLD, or AVERage.
TRACe :DATA:AUDio:AVERage: COUNT(?)	No equivalent command	
TRACe :DATA:AUDio:LENGth(?)	No equivalent command	
TRACe :DATA:AUDio:MODE(?)	No equivalent command	
TRACe2 :DATA2:MODE(?)	No equivalent command	

## Trigger Command Group

Table F-69: Trigger commands

RSA3000 commands	RSA6100A/RSA5100A commands	Description
TRIGger[:SEQuence]:LEVel: EXTernal(?)	TRIGger[:SEQuence]:EVENT: EXTFront:LEVel	Sets or queries the trigger level at the external trigger input (front).  In the RSA3000 series, the allowed range is $-1.5$ V to $+1.5$ V, and the default value is $1.4$ V. There is only one trigger input at the rear of the instrument.  In the RSA6100A series, the allowed range is $-2.5$ V to $+2.5$ V, and the default value is $1.6$ V. It has two trigger inputs, one at the front of the instrument and the second at the rear of the instrument.
TRIGger[:SEQuence]:LEVel: IQFRequency(?)	No equivalent command	
TRIGger[:SEQuence]:LEVel: IQTime(?)	No equivalent command	
TRIGger[:SEQuence]:MODE(?)	TRIGger[:SEQuence]:STATus	Selects or queries the trigger mode.
TRIGger[:SEQuence]:MPOSition?	No equivalent command	
TRIGger[:SEQuence]:OPOSition?	No equivalent command	
TRIGger[:SEQuence]:POSition(?)	TRIGger[:SEQuence]:TIME:POSition	In the RSA3000 series, the allowed range is 0 to 100%. In the RSA6100A series, the allowed range is 1 to 100%.
TRIGger[:SEQuence]:SAVE: COUNT[:STATe](?)	No equivalent command	
TRIGger[:SEQuence]:SAVE:COUNT: MAXimum(?)	No equivalent command	
TRIGger[:SEQuence]:SAVE[: STATe](?)	No equivalent command	
TRIGger[:SEQuence]:SLOPe(?)	TRIGger[:SEQuence]:EVENT: EXTFront:SLOPe TRIGger[:SEQuence]:EVENT: EXTRear:SLOPe	Sets or queries the trigger slope  The RSA3000 series accepts four arguments: POSitive(Rising edge), NEGative(Falling), PNEGative, or NPOSitive. The RSA6100A series accepts only two arguments: RISE or FALL.
TRIGger[:SEQuence]:SOURce(?)	TRIGger[:SEQuence]:EVENT: SOURce TRIGger[:SEQuence]:EVENT:INPut: TYPE	Sets or queries the trigger event source.  In the RSA3000 series, the command accepts different arguments such as IQTime, IQFRequency, or EXTernal. In the RSA6100A series, the command accepts arguments such as INPut(RF Input), EXTFront, EXTRear, EXTGated, or LINE. To select the mask and power, use the TRIGger[:SEQuence]:EVENT:INPut:TYPE command.



## Unit Command Group

Table F-70: Unit commands

RSA3000 commands	RSA6100A/RSA5100A commands	Description
UNIT:ANGLE(?)	No equivalent command	Sets or queries the fundamental unit of angle. In the RSA6100A series, the command is currently is available to change the unit of power, for example, UNIT:POWER.

---



---

# Glossary



---

# Glossary

**ASCII**

Acronym for the American Standard Code for Information Interchange. Controllers transmit commands to the instrument using ASCII character encoding.

**ASK**

Acronym for Amplitude Shift Keying. The process, or result of a process, in which the amplitude of the carrier is varied in accordance with the state of a digital input signal.

**BNF (Backus-Naur Form)**

A standard notation system for command syntax diagrams. The syntax diagrams in this manual use BNF notation.

**Controller**

A computer or other device that sends commands to and accepts responses from the analyzer.

**EVM (Error Vector Magnitude)**

The magnitude of an error of an actual signal relative to an ideal signal in a constellation display.

**GPIB**

Acronym for General Purpose Interface Bus, the common name for the communications interface system defined in IEEE Std 488.

**IEEE**

Acronym for the Institute for Electrical and Electronic Engineers.

**IS95**

Acronym for Interim Standard-95. The standards name for first-generation CDMA cellphone technology.

**Modulation**

The process of varying some characteristic of a signal with a second signal.

**PSK**

Acronym for Phase Shift Keying. The process, or result of a process, in which the carrier phase is varied discretely in accordance with a digital code.

**QAM**

Acronym for Quadrature Amplitude Modulation. The process, or result of a process, in which the amplitude and phase of the carrier are varied concurrently by synthesizing two orthogonal ASK waves (see ASK).



# Index

## A

ABORt, 2-99

## C

\*CAL, 2-99

Calculate Commands, 2-15

CALCulate: {AM|FM|PM}:MARKer<x>:DELTA:  
X?, 2-103

CALCulate: {AM|FM|PM}:MARKer<x>:DELTA:  
Y?, 2-104

CALCulate: {AM|FM|PM}:MARKer<x>:  
MAXimum, 2-105

CALCulate: {AM|FM|PM}:MARKer<x>:PEAK:  
HIGHer, 2-105

CALCulate: {AM|FM|PM}:MARKer<x>:PEAK:  
LEFT, 2-106

CALCulate: {AM|FM|PM}:MARKer<x>:PEAK:  
LOWer, 2-106

CALCulate: {AM|FM|PM}:MARKer<x>:PEAK:  
RIGHT, 2-107

CALCulate: {AM|FM|PM}:MARKer<x>:X, 2-107

CALCulate: {AM|FM|PM}:MARKer<x>:Y?, 2-108

CALCulate: {FSETtling|PSETtling}:MARKer<x>:  
DELTA:X?, 2-157

CALCulate: {FSETtling|PSETtling}:MARKer<x>:  
DELTA:Y?, 2-158

CALCulate: {FSETtling|PSETtling}:MARKer<x>:  
MAXimum, 2-158

CALCulate: {FSETtling|PSETtling}:MARKer<x>:  
PEAK:HIGHer, 2-159

CALCulate: {FSETtling|PSETtling}:MARKer<x>:  
PEAK:LEFT, 2-159

CALCulate: {FSETtling|PSETtling}:MARKer<x>:  
PEAK:LOWer, 2-160

CALCulate: {FSETtling|PSETtling}:MARKer<x>:  
PEAK:RIGHT, 2-160

CALCulate: {FSETtling|PSETtling}:MARKer<x>:  
TRACe, 2-161

CALCulate: {FSETtling|PSETtling}:MARKer<x>:  
X, 2-161

CALCulate: {FSETtling|PSETtling}:MARKer<x>:  
Y?, 2-162

CALCulate:ACPower:MARKer<x>:DELTA:  
X?, 2-100

CALCulate:ACPower:MARKer<x>:DELTA:  
Y?, 2-100

CALCulate:ACPower:MARKer<x>:  
MAXimum, 2-101

CALCulate:ACPower:MARKer<x>:PEAK:  
LEFT, 2-101

CALCulate:ACPower:MARKer<x>:PEAK:  
RIGHT, 2-102

CALCulate:ACPower:MARKer<x>:X, 2-102

CALCulate:ACPower:MARKer<x>:Y?, 2-103

CALCulate:AUDio:HARMonic:HNUMBER, 2-108

CALCulate:AUDio:HARMonic:NHNumber, 2-109

CALCulate:AUDio:NHARMonic:EXCursion, 2-109

CALCulate:AUDio:NHARMonic:IGNore, 2-110

CALCulate:AUDio:NHARMonic:THReshold, 2-110

CALCulate:AUDio:SPECTrum:MARKer<x>:DELTA:  
X?, 2-110

CALCulate:AUDio:SPECTrum:MARKer<x>:DELTA:  
Y?, 2-111

CALCulate:AUDio:SPECTrum:MARKer<x>:  
MAXimum, 2-112

CALCulate:AUDio:SPECTrum:MARKer<x>:PEAK:  
HIGHer, 2-112

CALCulate:AUDio:SPECTrum:MARKer<x>:PEAK:  
LEFT, 2-112

CALCulate:AUDio:SPECTrum:MARKer<x>:PEAK:  
LOWer, 2-113

CALCulate:AUDio:SPECTrum:MARKer<x>:PEAK:  
RIGHT, 2-113

CALCulate:AUDio:SPECTrum:MARKer<x>:  
TRACe, 2-114

CALCulate:AUDio:SPECTrum:MARKer<x>:X, 2-114

CALCulate:AUDio:SPECTrum:MARKer<x>:  
Y?, 2-115

CALCulate:AVTime:MARKer<x>:DELTA:X?, 2-115

CALCulate:AVTime:MARKer<x>:DELTA:Y?, 2-116

CALCulate:AVTime:MARKer<x>:MAXimum, 2-117

CALCulate:AVTime:MARKer<x>:PEAK:  
HIGHer, 2-117

CALCulate:AVTime:MARKer<x>:PEAK:  
LEFT, 2-118

- CALCulate:AVTime:MARKer<x>:PEAK:  
LOWer, 2-118
- CALCulate:AVTime:MARKer<x>:PEAK:  
RIGHt, 2-119
- CALCulate:AVTime:MARKer<x>:TRACe, 2-119
- CALCulate:AVTime:MARKer<x>:X, 2-120
- CALCulate:AVTime:MARKer<x>:Y?, 2-120
- CALCulate:CONStE:MARKer<x>:DELTA:X[:  
TIME]?, 2-121
- CALCulate:CONStE:MARKer<x>:  
FDEVIation?, 2-121
- CALCulate:CONStE:MARKer<x>:  
MAGNitude?, 2-122
- CALCulate:CONStE:MARKer<x>:MAXimum, 2-123
- CALCulate:CONStE:MARKer<x>:PEAK:  
LEFT, 2-123
- CALCulate:CONStE:MARKer<x>:PEAK:  
RIGHt, 2-124
- CALCulate:CONStE:MARKer<x>:PHASe?, 2-124
- CALCulate:CONStE:MARKer<x>:SYMBol?, 2-125
- CALCulate:CONStE:MARKer<x>:VALue?, 2-126
- CALCulate:CONStE:MARKer<x>:X, 2-126
- CALCulate:DIQVtime:MARKer<x>:DELTA:X[:  
TIME]?, 2-127
- CALCulate:DIQVtime:MARKer<x>:DELTA:  
Y?, 2-127
- CALCulate:DIQVtime:MARKer<x>:  
MAXimum, 2-128
- CALCulate:DIQVtime:MARKer<x>:PEAK:  
HIGHer, 2-129
- CALCulate:DIQVtime:MARKer<x>:PEAK:  
LEFT, 2-129
- CALCulate:DIQVtime:MARKer<x>:PEAK:  
LOWer, 2-130
- CALCulate:DIQVtime:MARKer<x>:PEAK:  
RIGHt, 2-130
- CALCulate:DIQVtime:MARKer<x>:TRACe, 2-131
- CALCulate:DIQVtime:MARKer<x>:X[:  
TIME], 2-131
- CALCulate:DIQVtime:MARKer<x>:Y?, 2-132
- CALCulate:DPX:MARKer<x>:DELTA:X:  
AMPLitude?, 2-133
- CALCulate:DPX:MARKer<x>:DELTA:X[:  
FREQuency]?, 2-133
- CALCulate:DPX:MARKer<x>:DELTA:Y?, 2-134
- CALCulate:DPX:MARKer<x>:MAXimum, 2-134
- CALCulate:DPX:MARKer<x>:PEAK:HIGHer, 2-135
- CALCulate:DPX:MARKer<x>:PEAK:LEFT, 2-136
- CALCulate:DPX:MARKer<x>:PEAK:LOWer, 2-136
- CALCulate:DPX:MARKer<x>:PEAK:RIGHt, 2-137
- CALCulate:DPX:MARKer<x>:TRACe, 2-138
- CALCulate:DPX:MARKer<x>:X:AMPLitude, 2-138
- CALCulate:DPX:MARKer<x>:X:PHASe, 2-140
- CALCulate:DPX:MARKer<x>:X:TIME, 2-141
- CALCulate:DPX:MARKer<x>:X[:  
FREQuency], 2-139
- CALCulate:DPX:MARKer<x>:Y?, 2-140
- CALCulate:DPX:MARKer<x>[:SET]:CENTer, 2-137
- CALCulate:EDIagram:MARKer<x>:DELTA:X[:  
TIME]?, 2-141
- CALCulate:EDIagram:MARKer<x>:DELTA:  
Y?, 2-142
- CALCulate:EDIagram:MARKer<x>:  
MAXimum, 2-143
- CALCulate:EDIagram:MARKer<x>:PEAK:  
HIGHer, 2-143
- CALCulate:EDIagram:MARKer<x>:PEAK:  
LEFT, 2-144
- CALCulate:EDIagram:MARKer<x>:PEAK:  
LOWer, 2-144
- CALCulate:EDIagram:MARKer<x>:PEAK:  
RIGHt, 2-145
- CALCulate:EDIagram:MARKer<x>:TRACe, 2-145
- CALCulate:EDIagram:MARKer<x>:X[:  
TIME], 2-146
- CALCulate:EDIagram:MARKer<x>:Y?, 2-147
- CALCulate:EVM:MARKer<x>:DELTA:X?, 2-147
- CALCulate:EVM:MARKer<x>:DELTA:Y?, 2-148
- CALCulate:EVM:MARKer<x>:MAXimum, 2-148
- CALCulate:EVM:MARKer<x>:PEAK:  
HIGHer, 2-149
- CALCulate:EVM:MARKer<x>:PEAK:LEFT, 2-150
- CALCulate:EVM:MARKer<x>:PEAK:LOWer, 2-150
- CALCulate:EVM:MARKer<x>:PEAK:RIGHt, 2-151
- CALCulate:EVM:MARKer<x>:X, 2-151
- CALCulate:EVM:MARKer<x>:Y?, 2-152
- CALCulate:FDVTime:MARKer<x>:DELTA:X[:  
TIME]?, 2-152
- CALCulate:FDVTime:MARKer<x>:DELTA:  
Y?, 2-153
- CALCulate:FDVTime:MARKer<x>:  
MAXimum, 2-154
- CALCulate:FDVTime:MARKer<x>:PEAK:  
HIGHer, 2-154



- CALCulate:FDVTime:MARKer<x>:PEAK:  
LEFT, 2-155
- CALCulate:FDVTime:MARKer<x>:PEAK:  
LOWer, 2-155
- CALCulate:FDVTime:MARKer<x>:PEAK:  
RIGHt, 2-156
- CALCulate:FDVTime:MARKer<x>:X[:TIME], 2-156
- CALCulate:FDVTime:MARKer<x>:Y?, 2-157
- CALCulate:FVTime:MARKer<x>:DELTA:X?, 2-162
- CALCulate:FVTime:MARKer<x>:DELTA:Y?, 2-163
- CALCulate:FVTime:MARKer<x>:MAXimum, 2-164
- CALCulate:FVTime:MARKer<x>:PEAK:  
HIGHer, 2-164
- CALCulate:FVTime:MARKer<x>:PEAK:  
LEFT, 2-165
- CALCulate:FVTime:MARKer<x>:PEAK:  
LOWer, 2-165
- CALCulate:FVTime:MARKer<x>:PEAK:  
RIGHt, 2-166
- CALCulate:FVTime:MARKer<x>:X, 2-166
- CALCulate:FVTime:MARKer<x>:Y?, 2-167
- CALCulate:IQVTime:MARKer<x>:DELTA:X?, 2-167
- CALCulate:IQVTime:MARKer<x>:DELTA:Y?, 2-168
- CALCulate:IQVTime:MARKer<x>:  
MAXimum, 2-168
- CALCulate:IQVTime:MARKer<x>:PEAK:  
HIGHer, 2-169
- CALCulate:IQVTime:MARKer<x>:PEAK:  
LEFT, 2-169
- CALCulate:IQVTime:MARKer<x>:PEAK:  
LOWer, 2-170
- CALCulate:IQVTime:MARKer<x>:PEAK:  
RIGHt, 2-170
- CALCulate:IQVTime:MARKer<x>:TRACe, 2-171
- CALCulate:IQVTime:MARKer<x>:X, 2-171
- CALCulate:IQVTime:MARKer<x>:Y?, 2-172
- CALCulate:MARKer:ADD, 2-172
- CALCulate:MARKer:AOff, 2-173
- CALCulate:MARKer:DELeTe, 2-173
- CALCulate:MARKer:DENSity:EXCursion, 2-174
- CALCulate:MARKer:DENSity:SMOothing, 2-175
- CALCulate:MARKer:DENSity:THReshold, 2-175
- CALCulate:MARKer:DRAG:SEARch:STATe, 2-176
- CALCulate:MARKer:MODE, 2-176
- CALCulate:MARKer:PEAK:EXCursion, 2-177
- CALCulate:MARKer:PEAK:THReshold, 2-177
- CALCulate:MCPower:MARKer<x>:DELTA:  
X?, 2-177
- CALCulate:MCPower:MARKer<x>:DELTA:  
Y?, 2-178
- CALCulate:MCPower:MARKer<x>:  
MAXimum, 2-179
- CALCulate:MCPower:MARKer<x>:PEAK:  
LEFT, 2-179
- CALCulate:MCPower:MARKer<x>:PEAK:  
RIGHt, 2-180
- CALCulate:MCPower:MARKer<x>:X, 2-180
- CALCulate:MCPower:MARKer<x>:Y?, 2-181
- CALCulate:MERRor:MARKer<x>:DELTA:X?, 2-181
- CALCulate:MERRor:MARKer<x>:DELTA:Y?, 2-182
- CALCulate:MERRor:MARKer<x>:  
MAXimum, 2-183
- CALCulate:MERRor:MARKer<x>:PEAK:  
HIGHer, 2-183
- CALCulate:MERRor:MARKer<x>:PEAK:  
LEFT, 2-184
- CALCulate:MERRor:MARKer<x>:PEAK:  
LOWer, 2-184
- CALCulate:MERRor:MARKer<x>:PEAK:  
RIGHt, 2-185
- CALCulate:MERRor:MARKer<x>:X, 2-185
- CALCulate:MERRor:MARKer<x>:Y?, 2-186
- CALCulate:OBWidth:MARKer<x>:DELTA:X?, 2-186
- CALCulate:OBWidth:MARKer<x>:DELTA:Y?, 2-187
- CALCulate:OBWidth:MARKer<x>:  
MAXimum, 2-187
- CALCulate:OBWidth:MARKer<x>:PEAK:  
HIGHer, 2-188
- CALCulate:OBWidth:MARKer<x>:PEAK:  
LEFT, 2-188
- CALCulate:OBWidth:MARKer<x>:PEAK:  
LOWer, 2-189
- CALCulate:OBWidth:MARKer<x>:PEAK:  
RIGHt, 2-189
- CALCulate:OBWidth:MARKer<x>:X, 2-190
- CALCulate:OBWidth:MARKer<x>:Y?, 2-191
- CALCulate:OBWidth:MARKer<x>[:SET]:  
CENTer, 2-190
- CALCulate:OFDM:CONSte:MARKer<x>:  
FREQuency, 2-191
- CALCulate:OFDM:CONSte:MARKer<x>:  
MAGNitude?, 2-192

- CALCulate:OFDM:CONStE:MARKer<x>:  
PHASe?, 2-192
- CALCulate:OFDM:CONStE:MARKer<x>:  
TIME, 2-193
- CALCulate:OFDM:CONStE:MARKer<x>:  
TYPE?, 2-193
- CALCulate:OFDM:CONStE:MARKer<x>:  
VALue?, 2-194
- CALCulate:OFDM:CRESPonse:MARKer<x>:  
DELTA: X?, 2-194
- CALCulate:OFDM:CRESPonse:MARKer<x>:  
DELTA: Y?, 2-195
- CALCulate:OFDM:CRESPonse:MARKer<x>:  
MAXimum, 2-195
- CALCulate:OFDM:CRESPonse:MARKer<x>:PEAK:  
HIGHer, 2-196
- CALCulate:OFDM:CRESPonse:MARKer<x>:PEAK:  
LEFT, 2-196
- CALCulate:OFDM:CRESPonse:MARKer<x>:PEAK:  
LOWer, 2-197
- CALCulate:OFDM:CRESPonse:MARKer<x>:PEAK:  
RIGHT, 2-197
- CALCulate:OFDM:CRESPonse:MARKer<x>:  
X, 2-198
- CALCulate:OFDM:CRESPonse:MARKer<x>:  
Y?, 2-198
- CALCulate:OFDM:TABLE:MARKer<x>:  
FREQuency, 2-199
- CALCulate:OFDM:TABLE:MARKer<x>:  
TIME, 2-199
- CALCulate:OFDM:TABLE:MARKer<x>:  
VALue?, 2-200
- CALCulate:PERRor:MARKer<x>:DELTA: X?, 2-200
- CALCulate:PERRor:MARKer<x>:DELTA: Y?, 2-201
- CALCulate:PERRor:MARKer<x>:MAXimum, 2-201
- CALCulate:PERRor:MARKer<x>:PEAK:  
HIGHer, 2-202
- CALCulate:PERRor:MARKer<x>:PEAK:  
LEFT, 2-202
- CALCulate:PERRor:MARKer<x>:PEAK:  
LOWer, 2-203
- CALCulate:PERRor:MARKer<x>:PEAK:  
RIGHT, 2-203
- CALCulate:PERRor:MARKer<x>:X, 2-204
- CALCulate:PERRor:MARKer<x>:Y?, 2-204
- CALCulate:PHVTime:MARKer<x>:DELTA:  
X?, 2-205
- CALCulate:PHVTime:MARKer<x>:DELTA:  
Y?, 2-206
- CALCulate:PHVTime:MARKer<x>:  
MAXimum, 2-206
- CALCulate:PHVTime:MARKer<x>:PEAK:  
HIGHer, 2-207
- CALCulate:PHVTime:MARKer<x>:PEAK:  
LEFT, 2-207
- CALCulate:PHVTime:MARKer<x>:PEAK:  
LOWer, 2-208
- CALCulate:PHVTime:MARKer<x>:PEAK:  
RIGHT, 2-208
- CALCulate:PHVTime:MARKer<x>:X, 2-209
- CALCulate:PHVTime:MARKer<x>:Y?, 2-209
- CALCulate:PULSe:STATistics:FFT:INDicator:  
X, 2-210
- CALCulate:PULSe:STATistics:FFT:INDicator:  
Y?, 2-210
- CALCulate:PULSe:STATistics:HISTogram:  
INDicator: X, 2-211
- CALCulate:PULSe:STATistics:HISTogram:  
INDicator: Y?, 2-211
- CALCulate:PULSe:STATistics:MARKer<x>:DELTA:  
X?, 2-212
- CALCulate:PULSe:STATistics:MARKer<x>:DELTA:  
Y?, 2-212
- CALCulate:PULSe:STATistics:MARKer<x>:  
MAXimum, 2-213
- CALCulate:PULSe:STATistics:MARKer<x>:PEAK:  
HIGHer, 2-213
- CALCulate:PULSe:STATistics:MARKer<x>:PEAK:  
LEFT, 2-214
- CALCulate:PULSe:STATistics:MARKer<x>:PEAK:  
LOWer, 2-214
- CALCulate:PULSe:STATistics:MARKer<x>:PEAK:  
RIGHT, 2-215
- CALCulate:PULSe:STATistics:MARKer<x>:  
X, 2-215
- CALCulate:PULSe:STATistics:MARKer<x>:  
Y?, 2-216
- CALCulate:PULSe:TRACe:MARKer<x>:DELTA:  
X?, 2-217
- CALCulate:PULSe:TRACe:MARKer<x>:DELTA:  
Y?, 2-217
- CALCulate:PULSe:TRACe:MARKer<x>:  
MAXimum, 2-218

- CALCulate:PULSe:TRACe:MARKer<x>:PEAK:  
HIGHer, 2-218
- CALCulate:PULSe:TRACe:MARKer<x>:PEAK:  
LEFT, 2-219
- CALCulate:PULSe:TRACe:MARKer<x>:PEAK:  
LOWer, 2-219
- CALCulate:PULSe:TRACe:MARKer<x>:PEAK:  
RIGHt, 2-220
- CALCulate:PULSe:TRACe:MARKer<x>:X, 2-220
- CALCulate:PULSe:TRACe:MARKer<x>:Y?, 2-221
- CALCulate:SEARch:LIMit:FAIL?, 2-221
- CALCulate:SEARch:LIMit:MATCh:BEEP[:  
STATe], 2-222
- CALCulate:SEARch:LIMit:MATCh:SACQuire[:  
STATe], 2-222
- CALCulate:SEARch:LIMit:MATCh:SDATa[:  
STATe], 2-223
- CALCulate:SEARch:LIMit:MATCh:SPICture[:  
STATe], 2-223
- CALCulate:SEARch:LIMit:MATCh:STRace[:  
STATe], 2-224
- CALCulate:SEARch:LIMit:OPERation, 2-225
- CALCulate:SEARch:LIMit:OPERation:FEED, 2-226
- CALCulate:SEARch:LIMit:OPERation:MASK:  
LOAD, 2-227
- CALCulate:SEARch:LIMit:OPERation:MASK:  
STORE, 2-227
- CALCulate:SEARch:LIMit:OPERation:  
SLIMit, 2-228
- CALCulate:SEARch:LIMit:REPort:DATA?, 2-228
- CALCulate:SEARch:LIMit:REPort:POINts?, 2-229
- CALCulate:SEARch:LIMit:STATe, 2-229
- CALCulate:SEM:MARKer<x>:DELTA:X?, 2-230
- CALCulate:SEM:MARKer<x>:DELTA:Y?, 2-230
- CALCulate:SEM:MARKer<x>:MAXimum, 2-231
- CALCulate:SEM:MARKer<x>:PEAK:HIGHer, 2-231
- CALCulate:SEM:MARKer<x>:PEAK:LEFT, 2-232
- CALCulate:SEM:MARKer<x>:PEAK:LOWer, 2-232
- CALCulate:SEM:MARKer<x>:PEAK:RIGHt, 2-233
- CALCulate:SEM:MARKer<x>:X, 2-234
- CALCulate:SEM:MARKer<x>:Y?, 2-234
- CALCulate:SEM:MARKer<x>[:SET]:CENTer, 2-233
- CALCulate:SGRam:MARKer<x>:DELTA:X:  
FREQuency?, 2-235
- CALCulate:SGRam:MARKer<x>:DELTA:X[:  
TIME]?, 2-235
- CALCulate:SGRam:MARKer<x>:DELTA:Y?, 2-236
- CALCulate:SGRam:MARKer<x>:MAXimum, 2-236
- CALCulate:SGRam:MARKer<x>:PEAK:  
HIGHer, 2-237
- CALCulate:SGRam:MARKer<x>:PEAK:  
LEFT, 2-237
- CALCulate:SGRam:MARKer<x>:PEAK:  
LOWer, 2-238
- CALCulate:SGRam:MARKer<x>:PEAK:  
RIGHt, 2-238
- CALCulate:SGRam:MARKer<x>:X:  
FREQuency, 2-239
- CALCulate:SGRam:MARKer<x>:X[:TIME], 2-240
- CALCulate:SGRam:MARKer<x>:Y?, 2-240
- CALCulate:SGRam:MARKer<x>[:SET]:  
CENTer, 2-239
- CALCulate:SPECTrum:MARKer<x>:DELTA:  
X?, 2-241
- CALCulate:SPECTrum:MARKer<x>:DELTA:  
Y?, 2-241
- CALCulate:SPECTrum:MARKer<x>:  
MAXimum, 2-242
- CALCulate:SPECTrum:MARKer<x>:PEAK:  
HIGHer, 2-242
- CALCulate:SPECTrum:MARKer<x>:PEAK:  
LEFT, 2-243
- CALCulate:SPECTrum:MARKer<x>:PEAK:  
LOWer, 2-243
- CALCulate:SPECTrum:MARKer<x>:PEAK:  
RIGHt, 2-244
- CALCulate:SPECTrum:MARKer<x>:TRACe, 2-245
- CALCulate:SPECTrum:MARKer<x>:X, 2-245
- CALCulate:SPECTrum:MARKer<x>:Y?, 2-246
- CALCulate:SPECTrum:MARKer<x>[:SET]:  
CENTer, 2-244
- CALCulate:SPURious:MARKer<x>:DELTA:  
X?, 2-246
- CALCulate:SPURious:MARKer<x>:DELTA:  
Y?, 2-247
- CALCulate:SPURious:MARKer<x>:  
MAXimum, 2-247
- CALCulate:SPURious:MARKer<x>:PEAK:  
HIGHer, 2-248
- CALCulate:SPURious:MARKer<x>:PEAK:  
LEFT, 2-248
- CALCulate:SPURious:MARKer<x>:PEAK:  
LOWer, 2-249

CALCulate:SPURious:MARKer<x>:PEAK:  
 RIGHT, 2-249  
 CALCulate:SPURious:MARKer<x>:X, 2-250  
 CALCulate:SPURious:MARKer<x>:Y?, 2-250  
 CALCulate:SPURious:MARKer<x>[:SET]:  
 CENTer, 2-249  
 CALCulate:TDIagram:MARKer<x>:DELTA:X[:  
 TIME]?, 2-251  
 CALCulate:TDIagram:MARKer<x>:DELTA:  
 Y?, 2-251  
 CALCulate:TDIagram:MARKer<x>:  
 MAXimum, 2-252  
 CALCulate:TDIagram:MARKer<x>:PEAK:  
 HIGHer, 2-253  
 CALCulate:TDIagram:MARKer<x>:PEAK:  
 LEFT, 2-253  
 CALCulate:TDIagram:MARKer<x>:PEAK:  
 LOWer, 2-254  
 CALCulate:TDIagram:MARKer<x>:PEAK:  
 RIGHT, 2-254  
 CALCulate:TDIagram:MARKer<x>:X[:  
 TIME], 2-255  
 CALCulate:TDIagram:MARKer<x>:Y?, 2-255  
 CALCulate:TOVerview:MARKer<x>:DELTA:  
 X?, 2-256  
 CALCulate:TOVerview:MARKer<x>:DELTA:  
 Y?, 2-256  
 CALCulate:TOVerview:MARKer<x>:  
 MAXimum, 2-257  
 CALCulate:TOVerview:MARKer<x>:PEAK:  
 HIGHer, 2-257  
 CALCulate:TOVerview:MARKer<x>:PEAK:  
 LEFT, 2-258  
 CALCulate:TOVerview:MARKer<x>:PEAK:  
 LOWer, 2-258  
 CALCulate:TOVerview:MARKer<x>:PEAK:  
 RIGHT, 2-259  
 CALCulate:TOVerview:MARKer<x>:X, 2-259  
 CALCulate:TOVerview:MARKer<x>:Y?, 2-260  
 CALibration:ABORt, 2-260  
 CALibration:AUTO, 2-261  
 CALibration:CORRection:EXTErnal:EDIT<x>:  
 LABel, 2-261  
 CALibration:CORRection:EXTErnal:EDIT<x>:  
 NEW, 2-262  
 CALibration:CORRection:EXTErnal:EDIT<x>:  
 STATe, 2-262

CALibration:CORRection:EXTErnal:GAIN:  
 STATe, 2-263  
 CALibration:CORRection:EXTErnal:GAIN[:  
 MAGNitude], 2-263  
 CALibration:CORRection:EXTErnal:PROBe:  
 CONNect?, 2-264  
 CALibration:CORRection:EXTErnal:PROBe:  
 STATe, 2-265  
 CALibration:CORRection:EXTErnal:PROBe[:  
 MAGNitude]?, 2-264  
 CALibration:CORRection:EXTErnal:TYPE, 2-265  
 \*CLS, 2-266

## D

DISPlay: {AM|FM|PM}:MARKer:SHOW:  
 STATe, 2-273  
 DISPlay: {AM|FM|PM}:WINDow:TRACe:  
 GRATICule:GRID:STATe, 2-274  
 DISPlay: {AM|FM|PM}:X:RSCale, 2-274  
 DISPlay: {AM|FM|PM}:X[:SCALE]:AUTO, 2-275  
 DISPlay: {AM|FM|PM}:X[:SCALE]:FULL, 2-275  
 DISPlay: {AM|FM|PM}:X[:SCALE]:OFFSet, 2-275  
 DISPlay: {AM|FM|PM}:Y:RSCale, 2-276  
 DISPlay: {AM|FM|PM}:Y[:SCALE], 2-276  
 DISPlay: {AM|FM|PM}:Y[:SCALE]:OFFSet, 2-277  
 DISPlay: {FSETtling|PSETtling}:MARKer:SHOW:  
 STATe, 2-318  
 DISPlay: {FSETtling|PSETtling}:TIME:  
 DECimal, 2-319  
 DISPlay: {FSETtling|PSETtling}:WINDow:TRACe:  
 GRATICule:GRID:STATe, 2-319  
 DISPlay: {FSETtling|PSETtling}:X[:SCALE], 2-320  
 DISPlay: {FSETtling|PSETtling}:X[:SCALE]:  
 AUTO, 2-320  
 DISPlay: {FSETtling|PSETtling}:X[:SCALE]:AUTO:  
 STATe, 2-321  
 DISPlay: {FSETtling|PSETtling}:X[:SCALE]:  
 MAXimum?, 2-321  
 DISPlay: {FSETtling|PSETtling}:X[:SCALE]:  
 MINimum?, 2-322  
 DISPlay: {FSETtling|PSETtling}:X[:SCALE]:  
 OFFSet, 2-323  
 DISPlay: {FSETtling|PSETtling}:X[:SCALE]:OFFSet:  
 MAXimum?, 2-323  
 DISPlay: {FSETtling|PSETtling}:X[:SCALE]:OFFSet:  
 MINimum?, 2-324  
 DISPlay: {FSETtling|PSETtling}:Y[:SCALE], 2-324

- DISPlay: {FSETtling|PSETtling}:Y[:SCALe]:  
 AUTO, 2-325  
 DISPlay: {FSETtling|PSETtling}:Y[:SCALe]:  
 OFFSet, 2-325  
 DISPlay: {FSETtling|PSETtling}:Y[:SCALe]:  
 PDIVision, 2-326  
 DISPlay:ACPower:MARKer:SHOW:STATe, 2-267  
 DISPlay:ACPower:PLEVel:SHOW:STATe, 2-267  
 DISPlay:ACPower:RESet:SCALe, 2-268  
 DISPlay:ACPower:WINDow:TRACe:GRATICule:  
 GRID:STATe, 2-268  
 DISPlay:ACPower:X[:SCALe], 2-269  
 DISPlay:ACPower:X[:SCALe]:AUTO, 2-269  
 DISPlay:ACPower:X[:SCALe]:OFFSet, 2-270  
 DISPlay:ACPower:Y[:SCALe], 2-270  
 DISPlay:ACPower:Y[:SCALe]:AUTO, 2-271  
 DISPlay:ACPower:Y[:SCALe]:OFFSet, 2-271  
 DISPlay:ADEMod:MEASview:DELeTe, 2-272  
 DISPlay:ADEMod:MEASview:NEW, 2-272  
 DISPlay:ADEMod:MEASview:SELeCt, 2-273  
 DISPlay:AUDio:MEASview:DELeTe, 2-278  
 DISPlay:AUDio:MEASview:NEW, 2-278  
 DISPlay:AUDio:MEASview:SELeCt, 2-279  
 DISPlay:AUDio:SPECTrum:FREQuency:[SCALe]:  
 START, 2-279  
 DISPlay:AUDio:SPECTrum:FREQuency:[SCALe]:  
 STOP, 2-280  
 DISPlay:AUDio:SPECTrum:FREQuency:  
 AUTO, 2-280  
 DISPlay:AUDio:SPECTrum:MARKer:SHOW:  
 STATe, 2-281  
 DISPlay:AUDio:SPECTrum:RESet:SCALe, 2-281  
 DISPlay:AUDio:SPECTrum:SCALe:LOG:  
 STATe, 2-281  
 DISPlay:AUDio:SPECTrum:SHOW:NHARmonic:  
 THReshold, 2-282  
 DISPlay:AUDio:SPECTrum:TABLE:SHOW:  
 STATe, 2-282  
 DISPlay:AUDio:SPECTrum:WINDow:TRACe:  
 GRATICule:GRID:STATe, 2-283  
 DISPlay:AUDio:SPECTrum:Y:[SCALe], 2-283  
 DISPlay:AUDio:SPECTrum:Y:[SCALe]:AUTO, 2-284  
 DISPlay:AUDio:SPECTrum:Y:[SCALe]:  
 OFFSet, 2-284  
 DISPlay:AVTime:LEGend:STATe, 2-285  
 DISPlay:AVTime:MARKer:SHOW:STATe, 2-285  
 DISPlay:AVTime:RESet, 2-286  
 DISPlay:AVTime:TRIGger:LEVel:STATe, 2-286  
 DISPlay:AVTime:WINDow:TRACe:GRATICule:  
 GRID:STATe, 2-287  
 DISPlay:AVTime:X:RSCALe, 2-287  
 DISPlay:AVTime:X[:SCALe]:AUTO, 2-288  
 DISPlay:AVTime:X[:SCALe]:AUTO:STATe, 2-288  
 DISPlay:AVTime:X[:SCALe]:FULL, 2-289  
 DISPlay:AVTime:X[:SCALe]:MAXimum?, 2-289  
 DISPlay:AVTime:X[:SCALe]:MINimum?, 2-290  
 DISPlay:AVTime:X[:SCALe]:OFFSet, 2-290  
 DISPlay:AVTime:X[:SCALe]:OFFSet:  
 MAXimum?, 2-291  
 DISPlay:AVTime:X[:SCALe]:OFFSet:  
 MINimum?, 2-291  
 DISPlay:AVTime:Y:RSCALe, 2-292  
 DISPlay:AVTime:Y[:SCALe]:FULL, 2-292  
 DISPlay:AVTime:Y[:SCALe]:OFFSet, 2-293  
 DISPlay:CCDF:LEGend:STATe, 2-293  
 DISPlay:CCDF:WINDow:TRACe:GRATICule:GRID:  
 STATe, 2-294  
 DISPlay:CONSte:MPHase, 2-294  
 DISPlay:CONSte:WINDow:TRACe:GRATICule:  
 GRID:STATe, 2-295  
 DISPlay:DDEMod:MEASview:DELeTe, 2-295  
 DISPlay:DDEMod:MEASview:NEW, 2-296  
 DISPlay:DDEMod:MEASview:SELeCt, 2-297  
 DISPlay:DDEMod:RADix, 2-297  
 DISPlay:DDEMod:X[:SCALe], 2-298  
 DISPlay:DDEMod:X[:SCALe]:AUTO, 2-299  
 DISPlay:DDEMod:X[:SCALe]:AUTO:STATe, 2-299  
 DISPlay:DDEMod:X[:SCALe]:MAXimum?, 2-300  
 DISPlay:DDEMod:X[:SCALe]:MINimum?, 2-300  
 DISPlay:DDEMod:X[:SCALe]:OFFSet, 2-301  
 DISPlay:DDEMod:X[:SCALe]:OFFSet:  
 MAXimum?, 2-301  
 DISPlay:DDEMod:X[:SCALe]:OFFSet:  
 MINimum?, 2-302  
 DISPlay:DDEMod:X[:SCALe]:RESet, 2-302  
 DISPlay:DIAGram:X[:SCALe], 2-303  
 DISPlay:DIAGram:X[:SCALe]:RESet, 2-303  
 DISPlay:DIQVtime:WINDow:TRACe:GRATICule:  
 GRID:STATe, 2-304  
 DISPlay:DIQVtime:Y[:SCALe], 2-304  
 DISPlay:DIQVtime:Y[:SCALe]:AUTO, 2-305  
 DISPlay:DIQVtime:Y[:SCALe]:OFFSet, 2-305  
 DISPlay:DPX:DGRam:TIME[:SCALe]:OFFSet:  
 DIVision, 2-305

- DISPlay:DPX:DGRam:TIME[:SCALE]:  
PDIvision, 2-306
- DISPlay:DPX:DGRam:TIME[:SCALE]:RESet, 2-306
- DISPlay:DPX:DGRam:TSTamp:STATe, 2-307
- DISPlay:DPX:DGRam:Y[:SCALE]:AUTO, 2-307
- DISPlay:DPX:DGRam:Y[:SCALE]:RESet, 2-308
- DISPlay:DPX:LEGenD:STATe, 2-309
- DISPlay:DPX:PHASe:Y[:SCALE]:AXIS, 2-310
- DISPlay:DPX:PHASe:Y[:SCALE]:AXIS:  
OFFSet, 2-310
- DISPlay:DPX:WINDow:TRACe:GRATicule:GRID:  
STATe, 2-309
- DISPlay:DPX:Y[:SCALE]:OFFSet, 2-312
- DISPlay:DPX:Y[:SCALE]:PDIvision, 2-312
- DISPlay:EDIagram:WINDow:TRACe:GRATicule:  
GRID:STATe, 2-313
- DISPlay:EDIagram:Y[:SCALE], 2-313
- DISPlay:EDIagram:Y[:SCALE]:AUTO, 2-314
- DISPlay:EDIagram:Y[:SCALE]:OFFSet, 2-314
- DISPlay:EVM:WINDow:TRACe:GRATicule:GRID:  
STATe, 2-315
- DISPlay:EVM:Y[:SCALE], 2-315
- DISPlay:EVM:Y[:SCALE]:AUTO, 2-316
- DISPlay:EVM:Y[:SCALE]:OFFSet, 2-316
- DISPlay:FDVTime:WINDow:TRACe:GRATicule:  
GRID:STATe, 2-317
- DISPlay:FDVTime:Y[:SCALE], 2-317
- DISPlay:FDVTime:Y[:SCALE]:AUTO, 2-317
- DISPlay:FDVTime:Y[:SCALE]:OFFSet, 2-318
- DISPlay:FVTime:WINDow:TRACe:GRATicule:  
GRID:STATe, 2-326
- DISPlay:FVTime:X[:SCALE], 2-327
- DISPlay:FVTime:X[:SCALE]:AUTO, 2-327
- DISPlay:FVTime:X[:SCALE]:AUTO:STATe, 2-328
- DISPlay:FVTime:X[:SCALE]:MAXimum?, 2-328
- DISPlay:FVTime:X[:SCALE]:MINimum?, 2-329
- DISPlay:FVTime:X[:SCALE]:OFFSet, 2-330
- DISPlay:FVTime:X[:SCALE]:OFFSet:  
MAXimum?, 2-330
- DISPlay:FVTime:X[:SCALE]:OFFSet:  
MINimum?, 2-331
- DISPlay:FVTime:Y[:SCALE], 2-331
- DISPlay:FVTime:Y[:SCALE]:AUTO, 2-332
- DISPlay:FVTime:Y[:SCALE]:OFFSet, 2-332
- DISPlay:GENeral:MEASview:DELeTe, 2-333
- DISPlay:GENeral:MEASview:NEw, 2-333
- DISPlay:GENeral:MEASview:SELeCt, 2-334
- DISPlay:GPRF:MEASview:DELeTe, 2-335
- DISPlay:GPRF:MEASview:NEw, 2-335
- DISPlay:GPRF:MEASview:SELeCt, 2-336
- DISPlay:IQVTime:WINDow:TRACe:GRATicule:  
GRID:STATe, 2-337
- DISPlay:IQVTime:X[:SCALE], 2-338
- DISPlay:IQVTime:X[:SCALE]:AUTO, 2-338
- DISPlay:IQVTime:X[:SCALE]:AUTO:STATe, 2-339
- DISPlay:IQVTime:X[:SCALE]:MAXimum?, 2-339
- DISPlay:IQVTime:X[:SCALE]:MINimum?, 2-340
- DISPlay:IQVTime:X[:SCALE]:OFFSet, 2-340
- DISPlay:IQVTime:X[:SCALE]:OFFSet:  
MAXimum?, 2-341
- DISPlay:IQVTime:X[:SCALE]:OFFSet:  
MINimum?, 2-342
- DISPlay:IQVTime:Y[:SCALE], 2-342
- DISPlay:IQVTime:Y[:SCALE]:AUTO, 2-343
- DISPlay:IQVTime:Y[:SCALE]:OFFSet, 2-343
- DISPlay:IQVTime:Y[:SCALE]:RESCale, 2-344
- DISPlay:MCPower:MARKer:SHOW:STATe, 2-344
- DISPlay:MCPower:PLEVel:SHOW:STATe, 2-345
- DISPlay:MCPower:RESet:SCALE, 2-345
- DISPlay:MCPower:WINDow:TRACe:GRATicule:  
GRID:STATe, 2-346
- DISPlay:MCPower:X[:SCALE], 2-346
- DISPlay:MCPower:X[:SCALE]:AUTO, 2-347
- DISPlay:MCPower:X[:SCALE]:OFFSet, 2-347
- DISPlay:MCPower:Y[:SCALE], 2-348
- DISPlay:MCPower:Y[:SCALE]:AUTO, 2-348
- DISPlay:MCPower:Y[:SCALE]:OFFSet, 2-349
- DISPlay:MERRor:WINDow:TRACe:GRATicule:  
GRID:STATe, 2-349
- DISPlay:MERRor:Y[:SCALE], 2-350
- DISPlay:MERRor:Y[:SCALE]:AUTO, 2-350
- DISPlay:MERRor:Y[:SCALE]:OFFSet, 2-351
- DISPlay:OBWidth:MARKer:SHOW:STATe, 2-351
- DISPlay:OBWidth:RESet:SCALE, 2-352
- DISPlay:OBWidth:SELeCted:BANDwidth, 2-352
- DISPlay:OBWidth:WINDow:TRACe:GRATicule:  
GRID:STATe, 2-353
- DISPlay:OBWidth:X[:SCALE], 2-353
- DISPlay:OBWidth:X[:SCALE]:AUTO, 2-354
- DISPlay:OBWidth:X[:SCALE]:OFFSet, 2-354
- DISPlay:OBWidth:Y[:SCALE], 2-355
- DISPlay:OBWidth:Y[:SCALE]:AUTO, 2-355
- DISPlay:OBWidth:Y[:SCALE]:OFFSet, 2-356
- DISPlay:OFDM:CONSte:X:OFFSet, 2-356

- DISPlay:OFDM:CONStE:Y:OFFSet, 2-357  
 DISPlay:OFDM:CONStE[:SCALe], 2-357  
 DISPlay:OFDM:CRESPonse:FREQUency:  
   AUTO, 2-357  
 DISPlay:OFDM:CRESPonse:FREQUency:  
   OFFSet, 2-358  
 DISPlay:OFDM:CRESPonse:FREQUency[:  
   SCALe], 2-358  
 DISPlay:OFDM:CRESPonse:MAGNitude:  
   AUTO, 2-359  
 DISPlay:OFDM:CRESPonse:MAGNitude:  
   OFFSet, 2-359  
 DISPlay:OFDM:CRESPonse:MAGNitude:  
   PDIVision, 2-360  
 DISPlay:OFDM:CRESPonse:PHASe:AUTO, 2-360  
 DISPlay:OFDM:CRESPonse:PHASe:OFFSet, 2-361  
 DISPlay:OFDM:CRESPonse:PHASe[:SCALe], 2-361  
 DISPlay:OFDM:CRESPonse:WINDow:SElect:  
   PLOT, 2-362  
 DISPlay:OFDM:CRESPonse:WINDow:TRACe:  
   GRATicule:GRID:STATe, 2-362  
 DISPlay:OFDM:EVM:FREQUency:AUTO, 2-363  
 DISPlay:OFDM:EVM:FREQUency:OFFSet, 2-363  
 DISPlay:OFDM:EVM:FREQUency[:SCALe], 2-363  
 DISPlay:OFDM:EVM:MARKer:SHOW:  
   STATe, 2-364  
 DISPlay:OFDM:EVM:TIME:AUTO, 2-365  
 DISPlay:OFDM:EVM:TIME:OFFSet, 2-365  
 DISPlay:OFDM:EVM:TIME[:SCALe], 2-364  
 DISPlay:OFDM:EVM:WINDow:SElect:  
   PLOT, 2-366  
 DISPlay:OFDM:EVM:WINDow:TRACe:GRATicule:  
   GRID:STATe, 2-366  
 DISPlay:OFDM:EVM:Y:AUTO, 2-367  
 DISPlay:OFDM:EVM:Y:OFFSet, 2-368  
 DISPlay:OFDM:EVM:Y[:SCALe], 2-367  
 DISPlay:OFDM:MEASview:DELete, 2-368  
 DISPlay:OFDM:MEASview:NEW, 2-369  
 DISPlay:OFDM:MEASview:SElect, 2-370  
 DISPlay:OFDM:MERRor:FREQUency[:  
   SCALe], 2-370  
 DISPlay:OFDM:MERRor:FREQUency[:SCALe]:  
   AUTO, 2-371  
 DISPlay:OFDM:MERRor:FREQUency[:SCALe]:  
   OFFSet, 2-371  
 DISPlay:OFDM:MERRor:MARKer:SHOW:  
   STATe, 2-372  
 DISPlay:OFDM:MERRor:TIME[:SCALe], 2-372  
 DISPlay:OFDM:MERRor:TIME[:SCALe]:  
   AUTO, 2-373  
 DISPlay:OFDM:MERRor:TIME[:SCALe]:  
   OFFSet, 2-373  
 DISPlay:OFDM:MERRor:WINDow:SElect:  
   PLOT, 2-373  
 DISPlay:OFDM:MERRor:WINDow:TRACe:  
   GRATicule:GRID:STATe, 2-374  
 DISPlay:OFDM:MERRor:Y:AUTO, 2-375  
 DISPlay:OFDM:MERRor:Y:OFFSet, 2-375  
 DISPlay:OFDM:MERRor:Y[:SCALe], 2-374  
 DISPlay:OFDM:PERRor:FREQUency[:  
   SCALe], 2-376  
 DISPlay:OFDM:PERRor:FREQUency[:SCALe]:  
   AUTO, 2-376  
 DISPlay:OFDM:PERRor:FREQUency[:SCALe]:  
   OFFSet, 2-377  
 DISPlay:OFDM:PERRor:MARKer:SHOW:  
   STATe, 2-377  
 DISPlay:OFDM:PERRor:TIME[:SCALe], 2-378  
 DISPlay:OFDM:PERRor:TIME[:SCALe]:  
   AUTO, 2-378  
 DISPlay:OFDM:PERRor:TIME[:SCALe]:  
   OFFSet, 2-378  
 DISPlay:OFDM:PERRor:WINDow:SElect:  
   PLOT, 2-379  
 DISPlay:OFDM:PERRor:WINDow:TRACe:  
   GRATicule:GRID:STATe, 2-379  
 DISPlay:OFDM:PERRor:Y:AUTO, 2-380  
 DISPlay:OFDM:PERRor:Y:OFFSet, 2-381  
 DISPlay:OFDM:PERRor:Y[:SCALe], 2-380  
 DISPlay:OFDM:POWER:FREQUency[:AUTO], 2-381  
 DISPlay:OFDM:POWER:FREQUency[:OFFSet], 2-382  
 DISPlay:OFDM:POWER:FREQUency[:SCALe], 2-382  
 DISPlay:OFDM:POWER:MARKer:SHOW:  
   STATe, 2-382  
 DISPlay:OFDM:POWER:TIME:OFFSet, 2-383  
 DISPlay:OFDM:POWER:TIME[:AUTO], 2-383  
 DISPlay:OFDM:POWER:TIME[:SCALe], 2-384  
 DISPlay:OFDM:POWER:WINDow:SElect:  
   PLOT, 2-384  
 DISPlay:OFDM:POWER:WINDow:TRACe:  
   GRATicule:GRID:STATe, 2-385  
 DISPlay:OFDM:POWER:Y:AUTO, 2-385  
 DISPlay:OFDM:POWER:Y:OFFSet, 2-386  
 DISPlay:OFDM:POWER:Y[:SCALe], 2-386

- DISPlay:PERRor:WINDow:TRACe:GRATicule:  
  GRID:STATe, 2-387
- DISPlay:PERRor:Y[:SCALe], 2-387
- DISPlay:PERRor:Y[:SCALe]:AUTO, 2-388
- DISPlay:PERRor:Y[:SCALe]:OFFSet, 2-388
- DISPlay:PHVTime:WINDow:TRACe:GRATicule:  
  GRID:STATe, 2-389
- DISPlay:PHVTime:X[:SCALe], 2-389
- DISPlay:PHVTime:X[:SCALe]:AUTO, 2-390
- DISPlay:PHVTime:X[:SCALe]:AUTO:STATe, 2-390
- DISPlay:PHVTime:X[:SCALe]:MAXimum?, 2-391
- DISPlay:PHVTime:X[:SCALe]:MINimum?, 2-391
- DISPlay:PHVTime:X[:SCALe]:OFFSet, 2-392
- DISPlay:PHVTime:X[:SCALe]:OFFSet:  
  MAXimum?, 2-393
- DISPlay:PHVTime:X[:SCALe]:OFFSet:  
  MINimum?, 2-393
- DISPlay:PHVTime:Y[:SCALe], 2-394
- DISPlay:PHVTime:Y[:SCALe]:AUTO, 2-394
- DISPlay:PHVTime:Y[:SCALe]:AXIS, 2-395
- DISPlay:PHVTime:Y[:SCALe]:AXIS:  
  REFerence, 2-395
- DISPlay:PHVTime:Y[:SCALe]:OFFSet, 2-396
- DISPlay:PHVTime:Y[:SCALe]:RESCale, 2-396
- DISPlay:PNOise:LEGend:STATe, 2-397
- DISPlay:PNOise:MARKer:SHOW:STATe, 2-397
- DISPlay:PNOise:RESet:SCALe, 2-398
- DISPlay:PNOise:WINDow:TRACe:GRATicule:  
  GRID:STATe, 2-398
- DISPlay:PNOise:X[:SCALe]:AUTO, 2-399
- DISPlay:PNOise:X[:SCALe]:START, 2-399
- DISPlay:PNOise:X[:SCALe]:STOP, 2-400
- DISPlay:PNOise:Y[:SCALe], 2-400
- DISPlay:PNOise:Y[:SCALe]:AUTO, 2-401
- DISPlay:PNOise:Y[:SCALe]:OFFSet, 2-401
- DISPlay:PNOise:Y[:SCALe]:PDIVision, 2-402
- DISPlay:PULSe:MEASview:DELete, 2-402
- DISPlay:PULSe:MEASview:NEW, 2-403
- DISPlay:PULSe:MEASview:SElect, 2-403
- DISPlay:PULSe:RESult:ATX, 2-404
- DISPlay:PULSe:RESult:AVERAge, 2-404
- DISPlay:PULSe:RESult:DRODb, 2-405
- DISPlay:PULSe:RESult:DROOp, 2-405
- DISPlay:PULSe:RESult:DUTPct, 2-406
- DISPlay:PULSe:RESult:DUTRatio, 2-406
- DISPlay:PULSe:RESult:FALL, 2-407
- DISPlay:PULSe:RESult:FRDeviAtion, 2-407
- DISPlay:PULSe:RESult:IRAMplitude, 2-408
- DISPlay:PULSe:RESult:IRTime, 2-408
- DISPlay:PULSe:RESult:MFReqerror, 2-409
- DISPlay:PULSe:RESult:MPHerror, 2-409
- DISPlay:PULSe:RESult:OVEDb, 2-410
- DISPlay:PULSe:RESult:OVERshoot, 2-410
- DISPlay:PULSe:RESult:PHDeviAtion, 2-411
- DISPlay:PULSe:RESult:PPFRequency, 2-411
- DISPlay:PULSe:RESult:PPOWer, 2-412
- DISPlay:PULSe:RESult:PPHase, 2-412
- DISPlay:PULSe:RESult:RINTerval, 2-413
- DISPlay:PULSe:RESult:RIPDb, 2-413
- DISPlay:PULSe:RESult:RIPPlE, 2-414
- DISPlay:PULSe:RESult:RISE, 2-414
- DISPlay:PULSe:RESult:RMSFRequerror, 2-415
- DISPlay:PULSe:RESult:RMSPherror, 2-415
- DISPlay:PULSe:RESult:RRATE, 2-416
- DISPlay:PULSe:RESult:TIME, 2-416
- DISPlay:PULSe:RESult:WIDTh, 2-417
- DISPlay:PULSe:SElect:NUMBer, 2-417
- DISPlay:PULSe:SElect:RESult, 2-418
- DISPlay:PULSe:STATistics:MARKer:SHOW:  
  STATe, 2-419
- DISPlay:PULSe:STATistics:PLOT, 2-420
- DISPlay:PULSe:STATistics:WINDow:TRACe:  
  GRATicule:GRID:STATe, 2-420
- DISPlay:PULSe:STATistics:X:RSCale, 2-421
- DISPlay:PULSe:STATistics:X[:SCALe]:  
  NUMBer, 2-421
- DISPlay:PULSe:STATistics:X[:SCALe]:  
  OFFSet, 2-422
- DISPlay:PULSe:STATistics:Y:RSCale, 2-422
- DISPlay:PULSe:STATistics:Y[:SCALe]:FULL, 2-423
- DISPlay:PULSe:STATistics:Y[:SCALe]:  
  OFFSet, 2-423
- DISPlay:PULSe:STATistics:Y[:SCALe]:  
  STOP?, 2-424
- DISPlay:PULSe:TRACe:MARKer:SHOW:  
  STATe, 2-425
- DISPlay:PULSe:TRACe:POINt:SHOW, 2-425
- DISPlay:PULSe:TRACe:WINDow:TRACe:  
  GRATicule:GRID:STATe, 2-426
- DISPlay:PULSe:TRACe:X:RSCale, 2-426
- DISPlay:PULSe:TRACe:X[:SCALe], 2-427
- DISPlay:PULSe:TRACe:X[:SCALe]:FULL, 2-427
- DISPlay:PULSe:TRACe:X[:SCALe]:OFFSet, 2-428



- DISPlay:PULSe:TRACe:X[:SCALe]:  
   PDIVision, 2-428  
 DISPlay:PULSe:TRACe:Y:RSCale, 2-429  
 DISPlay:PULSe:TRACe:Y[:SCALe]:FULL, 2-429  
 DISPlay:PULSe:TRACe:Y[:SCALe]:OFFSet, 2-430  
 DISPlay:PULSe:TRACe:Y[:SCALe]:STOP?, 2-430  
 DISPlay:SEM:MARKer:SHOW:STATe, 2-432  
 DISPlay:SEM:RESet:SCALe, 2-433  
 DISPlay:SEM:SHOW:LIMit, 2-433  
 DISPlay:SEM:WINDow:TRACe:GRATICule:GRID:  
   STATe, 2-434  
 DISPlay:SEM:X[:SCALe]:AUTO, 2-434  
 DISPlay:SEM:X[:SCALe]:START, 2-435  
 DISPlay:SEM:X[:SCALe]:STOP, 2-435  
 DISPlay:SEM:Y[:SCALe], 2-436  
 DISPlay:SEM:Y[:SCALe]:AUTO, 2-436  
 DISPlay:SEM:Y[:SCALe]:OFFSet, 2-436  
 DISPlay:SGRam:FREQuency:AUTO, 2-431  
 DISPlay:SGRam:FREQuency:OFFSet, 2-431  
 DISPlay:SGRam:FREQuency:SCALe, 2-432  
 DISPlay:SGRAM:MARKer:SHOW:STATe, 2-437  
 DISPlay:SGRAM:SElected:TIMestamp, 2-437  
 DISPlay:SGRam:TIME:AUTO, 2-438  
 DISPlay:SGRam:TIME:OFFSet, 2-438  
 DISPlay:SGRam:TIME:OFFSet:DIVisions, 2-439  
 DISPlay:SGRam:TIME:OVERlap:PERCent, 2-440  
 DISPlay:SGRam:TIME:SCALe, 2-439  
 DISPlay:SGRam:TIME:SCALe:PER:DIVision, 2-440  
 DISPlay:SGRam:TIME:SPECTrums:PERLine?, 2-441  
 DISPlay:SPECTrum:FREQuency:AUTO, 2-441  
 DISPlay:SPECTrum:FREQuency:OFFSet, 2-442  
 DISPlay:SPECTrum:FREQuency[:SCALe], 2-442  
 DISPlay:SPECTrum:MARKer:NOISe:MODE, 2-443  
 DISPlay:SPECTrum:SCALe:LOG:STATe, 2-443  
 DISPlay:SPECTrum:WINDow:TRACe:GRATICule:  
   GRID:STATe, 2-444  
 DISPlay:SPECTrum:WINDow:TRACe:LEGend:  
   STATe, 2-444  
 DISPlay:SPECTrum:X:LABel, 2-445  
 DISPlay:SPECTrum:Y[:SCALe], 2-445  
 DISPlay:SPECTrum:Y[:SCALe]:AUTO, 2-446  
 DISPlay:SPECTrum:Y[:SCALe]:OFFSet, 2-446  
 DISPlay:SPECTrum:Y[:SCALe]:PDIVision, 2-447  
 DISPlay:SPECTrum:Y[:SCALe]:RESet, 2-447  
 DISPlay:SPURious:MARKer:SHOW:STATe, 2-448  
 DISPlay:SPURious:RESet:SCALe, 2-448  
 DISPlay:SPURious:SCALe:LOG:STATe, 2-449  
 DISPlay:SPURious:SElect:NUMBER, 2-449  
 DISPlay:SPURious:SHOW:LIMit, 2-450  
 DISPlay:SPURious:WINDow:TRACe:GRATICule:  
   GRID:STATe, 2-450  
 DISPlay:SPURious:X[:SCALe]:AUTO, 2-451  
 DISPlay:SPURious:X[:SCALe]:START, 2-451  
 DISPlay:SPURious:X[:SCALe]:STOP, 2-452  
 DISPlay:SPURious:Y[:SCALe], 2-452  
 DISPlay:SPURious:Y[:SCALe]:AUTO, 2-453  
 DISPlay:SPURious:Y[:SCALe]:OFFSet, 2-453  
 DISPlay:TDIagram:WINDow:TRACe:GRATICule:  
   GRID:STATe, 2-454  
 DISPlay:TDIagram:Y[:SCALe], 2-454  
 DISPlay:TDIagram:Y[:SCALe]:AUTO, 2-455  
 DISPlay:TDIagram:Y[:SCALe]:OFFSet, 2-455  
 DISPlay:TOVerview:WINDow:TRACe:GRATICule:  
   GRID:STATe, 2-456  
 DISPlay:TOVerview:X[:SCALe], 2-456  
 DISPlay:TOVerview:X[:SCALe]:AUTO, 2-457  
 DISPlay:TOVerview:X[:SCALe]:OFFSet, 2-457  
 DISPlay:TOVerview:Y[:SCALe], 2-458  
 DISPlay:TOVerview:Y[:SCALe]:AUTO, 2-458  
 DISPlay:TOVerview:Y[:SCALe]:OFFSet, 2-459  
 DISPlay:TOVerview:Y[:SCALe]:RESCale, 2-459  
 DISPlay:WINDow:ACTive:MEASurement?, 2-460  
 DISPlay:WINDow:COLor:SCHEME, 2-461  
 DISPlay:WINDow:OPTimized:  
   MEASurement?, 2-462
- ## E
- \*ESE, 2-463
  - \*ESR?, 2-463
- ## F
- FETCh: {AM|FM|PM}?, 2-466
  - FETCh: {FM|PM}:FERRor?, 2-505
  - FETCh: {FSETtling|PSETtling}:FTTime?, 2-509
  - FETCh: {FSETtling|PSETtling}:MASK[:  
   PASS]?, 2-510
  - FETCh: {FSETtling|PSETtling}:SETTled:  
   FREQuency?, 2-511
  - FETCh: {FSETtling|PSETtling}:SETTled:  
   TIME?, 2-511
  - FETCh: {FSETtling|PSETtling}:SETTled[:  
   PASS]?, 2-510

- FETCh: {FSETtling|PSETtling}:SLMSd[:PASS]?, 2-512
- FETCh: {FSETtling|PSETtling}:START:TIME?, 2-512
- FETCh: {FSETtling|PSETtling}:TIME?, 2-513
- FETCh: {FSETtling|PSETtling}:TRACe<x>:X?, 2-513
- FETCh: {FSETtling|PSETtling}:TRACe<x>:XY?, 2-514
- FETCh: {FSETtling|PSETtling}:TRACe<x>[:Y]?, 2-515
- FETCh: {FSETtling|PSETtling}:TRIGger:TIME?, 2-515
- FETCh: {FSETtling|PSETtling}:VALue?, 2-516
- FETCh:ACPower:CHANnel:POWer?, 2-465
- FETCh:ACPower:SPECtrum?, 2-465
- FETCh:ACPower?, 2-464
- FETCh:AM:AMINdex?, 2-466
- FETCh:AM:AMNegative?, 2-467
- FETCh:AM:AMPositive?, 2-467
- FETCh:AM:RESult?, 2-468
- FETCh:AUDio:FERRor?, 2-468
- FETCh:AUDio:FREQuency?, 2-469
- FETCh:AUDio:HARMonic:COUNT?, 2-469
- FETCh:AUDio:HARMonic<x>:AMPLitude?, 2-470
- FETCh:AUDio:HARMonic<x>:FREQuency?, 2-470
- FETCh:AUDio:HNOise?, 2-471
- FETCh:AUDio:HNREference?, 2-472
- FETCh:AUDio:HPTPeak?, 2-472
- FETCh:AUDio:MODDist?, 2-473
- FETCh:AUDio:NHARmonic:COUNT?, 2-473
- FETCh:AUDio:NHARmonic<x>:AMPLitude?, 2-474
- FETCh:AUDio:NHARmonic<x>:FREQuency?, 2-475
- FETCh:AUDio:PNEGative?, 2-475
- FETCh:AUDio:POWer?, 2-476
- FETCh:AUDio:PPOSitive?, 2-476
- FETCh:AUDio:RMS?, 2-477
- FETCh:AUDio:SINad?, 2-478
- FETCh:AUDio:SNOise?, 2-478
- FETCh:AUDio:SPECtrum:TRACe<x>?, 2-479
- FETCh:AUDio:THDist:DB?, 2-479
- FETCh:AUDio:THDist?, 2-480
- FETCh:AUDio:TNHDist:DB?, 2-480
- FETCh:AUDio:TNHDist?, 2-481
- FETCh:AVTime:  
{FIRSt|SECond|THIRd|FOURth}?, 2-482
- FETCh:AVTime:AVERAge?, 2-481
- FETCh:AVTime:MAXimum?, 2-483
- FETCh:AVTime:MAXLocation?, 2-483
- FETCh:AVTime:MINimum?, 2-484
- FETCh:AVTime:MINLocation?, 2-484
- FETCh:AVTime:RESult?, 2-485
- FETCh:CCDF: {FIRSt|SECond|THIRd}:X?, 2-487
- FETCh:CCDF: {FIRSt|SECond|THIRd}:XY?, 2-487
- FETCh:CCDF: {FIRSt|SECond|THIRd}[:Y]?, 2-488
- FETCh:CCDF?, 2-486
- FETCh:CONSte:FERRor?, 2-489
- FETCh:CONSte:RESults?, 2-489
- FETCh:CONSte:TRACe?, 2-490
- FETCh:DDEMod:STABLE?, 2-491
- FETCh:DDEMod:SYNCh:WORD:LENGth?, 2-491
- FETCh:DDEMod:SYNCh:WORD:POSition?, 2-492
- FETCh:DIQVtime:FERRor?, 2-492
- FETCh:DIQVtime:I?, 2-493
- FETCh:DIQVtime:Q?, 2-493
- FETCh:DPX:DGRam:LINE:COUNT?, 2-494
- FETCh:DPX:DGRam:TIME[:SCALE]:OFFSet?, 2-494
- FETCh:DPX:RESults:TRACe<x>?, 2-495
- FETCh:DPX:TRACe:AVERAge?, 2-496
- FETCh:DPX:TRACe:BITMap?, 2-496
- FETCh:DPX:TRACe:MATH?, 2-497
- FETCh:DPX:TRACe:MAXimum?, 2-498
- FETCh:DPX:TRACe:MINimum?, 2-498
- FETCh:EDIagram:FDEVIation?, 2-499
- FETCh:EDIagram:FERRor?, 2-499
- FETCh:EDIagram:I?, 2-500
- FETCh:EDIagram:Q?, 2-500
- FETCh:EVM:FERRor?, 2-502
- FETCh:EVM:PEAK?, 2-502
- FETCh:EVM:PINDEX?, 2-503
- FETCh:EVM:RMS?, 2-503
- FETCh:EVM:TRACe?, 2-504
- FETCh:FDVTime:FERRor?, 2-504
- FETCh:FDVTime:TRACe?, 2-505
- FETCh:FM:PHALf?, 2-506
- FETCh:FM:PNEGative?, 2-506
- FETCh:FM:PPOSitive?, 2-507
- FETCh:FM:PTPeak?, 2-507
- FETCh:FM:RESult?, 2-508
- FETCh:FM:RMS?, 2-508
- FETCh:FSETtling:ERRor?, 2-509
- FETCh:FVTime:MAXimum?, 2-517
- FETCh:FVTime:MAXLocation?, 2-517

- FETCh:FVTime:MINimum?, 2-518
- FETCh:FVTime:MINLocation?, 2-518
- FETCh:FVTime:RESult?, 2-519
- FETCh:FVTime?, 2-516
- FETCh:IQVTime:I?, 2-520
- FETCh:IQVTime:MAXimum?, 2-520
- FETCh:IQVTime:MAXLocation?, 2-521
- FETCh:IQVTime:MINimum?, 2-521
- FETCh:IQVTime:MINLocation?, 2-522
- FETCh:IQVTime:Q?, 2-523
- FETCh:IQVTime:RESult?, 2-523
- FETCh:MCPower:ADJacent:CHANnels?, 2-524
- FETCh:MCPower:CHANnel:POWer?, 2-525
- FETCh:MCPower:MAIN:CHANnels?, 2-525
- FETCh:MCPower:SPECTrum?, 2-526
- FETCh:MERRor:FERRor?, 2-526
- FETCh:MERRor:PEAK?, 2-527
- FETCh:MERRor:PINDEX?, 2-527
- FETCh:MERRor:RMS?, 2-528
- FETCh:MERRor:TRACe?, 2-529
- FETCh:OBWidth:FREQuency:ERRor?, 2-529
- FETCh:OBWidth:OBWidth:BANDwidth?, 2-530
- FETCh:OBWidth:OBWidth:LEFT:
  - FREQuency?, 2-530
- FETCh:OBWidth:OBWidth:LEFT:LEVel?, 2-531
- FETCh:OBWidth:OBWidth:POWer?, 2-531
- FETCh:OBWidth:OBWidth:RIGHT:
  - FREQuency?, 2-532
- FETCh:OBWidth:OBWidth:RIGHT:LEVel?, 2-532
- FETCh:OBWidth:SPECTrum?, 2-533
- FETCh:OBWidth:XDBBbandwidth:
  - BANDwidth?, 2-533
- FETCh:OBWidth:XDBBbandwidth:LEFT:
  - FREQuency?, 2-534
- FETCh:OBWidth:XDBBbandwidth:LEFT:
  - LEVel?, 2-534
- FETCh:OBWidth:XDBBbandwidth:POWer?, 2-535
- FETCh:OBWidth:XDBBbandwidth:RIGHT:
  - FREQuency?, 2-535
- FETCh:OBWidth:XDBBbandwidth:RIGHT:
  - LEVel?, 2-536
- FETCh:OFDM:APOWer:PEAK?, 2-537
- FETCh:OFDM:APOWer?, 2-536
- FETCh:OFDM:CONSte:MAGNitude?, 2-537
- FETCh:OFDM:CONSte:PHASe?, 2-538
- FETCh:OFDM:CONSte:TYPE?, 2-539
- FETCh:OFDM:CONSte:VALue?, 2-540
- FETCh:OFDM:CPE?, 2-540
- FETCh:OFDM:CRESPonse:MAGNitude?, 2-541
- FETCh:OFDM:CRESPonse:PHASe?, 2-541
- FETCh:OFDM:EVM:PEAK:DECibel:ALL?, 2-542
- FETCh:OFDM:EVM:PEAK:DECibel:DATA?, 2-542
- FETCh:OFDM:EVM:PEAK:DECibel:PILots?, 2-543
- FETCh:OFDM:EVM:PEAK:PERCent:ALL?, 2-543
- FETCh:OFDM:EVM:PEAK:PERCent:DATA?, 2-544
- FETCh:OFDM:EVM:PEAK:PERCent:PILots?, 2-544
- FETCh:OFDM:EVM:PEAK:SCARrier:ALL?, 2-545
- FETCh:OFDM:EVM:PEAK:SCARrier:
  - DATA?, 2-545
- FETCh:OFDM:EVM:PEAK:SCARrier:
  - PILots?, 2-546
- FETCh:OFDM:EVM:PEAK:SYMBOL:ALL?, 2-546
- FETCh:OFDM:EVM:PEAK:SYMBOL:DATA?, 2-547
- FETCh:OFDM:EVM:PEAK:SYMBOL:PILots?, 2-547
- FETCh:OFDM:EVM:RMS:DECibel:ALL?, 2-548
- FETCh:OFDM:EVM:RMS:DECibel:DATA?, 2-548
- FETCh:OFDM:EVM:RMS:DECibel:PILots?, 2-549
- FETCh:OFDM:EVM:RMS:PERCent:ALL?, 2-549
- FETCh:OFDM:EVM:RMS:PERCent:DATA?, 2-550
- FETCh:OFDM:EVM:RMS:PERCent:PILots?, 2-550
- FETCh:OFDM:EVM:TRACe(x)?, 2-551
- FETCh:OFDM:FERRor?, 2-551
- FETCh:OFDM:GAIN:IMBalance?, 2-552
- FETCh:OFDM:IQ:ORIGin:OFFSet?, 2-552
- FETCh:OFDM:MERRor:TRACe(x)?, 2-553
- FETCh:OFDM:PACKet:DIRection?, 2-554
- FETCh:OFDM:PERRor:TRACe(x)?, 2-554
- FETCh:OFDM:POWer:TRACe(x)?, 2-555
- FETCh:OFDM:QUADrature:OFFSet?, 2-556
- FETCh:OFDM:SCARriers:SPACing?, 2-557
- FETCh:OFDM:SCARriers?, 2-556
- FETCh:OFDM:STABLE:VALUe?, 2-557
- FETCh:OFDM:SYMBOL:CERRor?, 2-558
- FETCh:OFDM:SYMBOL:COUNt?, 2-558
- FETCh:PERRor:FERRor?, 2-559
- FETCh:PERRor:PEAK?, 2-559
- FETCh:PERRor:PINDEX?, 2-560
- FETCh:PERRor:RMS?, 2-560
- FETCh:PERRor:TRACe?, 2-561
- FETCh:PHVTime:MAXimum?, 2-562
- FETCh:PHVTime:MAXLocation?, 2-562
- FETCh:PHVTime:MINimum?, 2-563
- FETCh:PHVTime:MINLocation?, 2-563
- FETCh:PHVTime:RESult?, 2-564

- FETCh:PHVTime?, 2-561  
FETCh:PM:PNEGative?, 2-565  
FETCh:PM:PPOSitive?, 2-565  
FETCh:PM:PTPeak?, 2-566  
FETCh:PM:RESult?, 2-566  
FETCh:PM:RMS?, 2-567  
FETCh:PNOise:ALL?, 2-567  
FETCh:PNOise:CARRier:FERRor?, 2-568  
FETCh:PNOise:CARRier:POWer?, 2-568  
FETCh:PNOise:JITTer?, 2-569  
FETCh:PNOise:RESidual:FM?, 2-569  
FETCh:PNOise:RMS:PNOise?, 2-570  
FETCh:PNOise:SPECTrum<x>:X?, 2-570  
FETCh:PNOise:SPECTrum<x>:XY?, 2-571  
FETCh:PNOise:SPECTrum<x>[:Y]?, 2-572  
FETCh:PULSe:STATistics:ATX?, 2-588  
FETCh:PULSe:STATistics:AVErAge?, 2-589  
FETCh:PULSe:STATistics:DRoDb?, 2-590  
FETCh:PULSe:STATistics:DRoOp?, 2-590  
FETCh:PULSe:STATistics:DUTPct?, 2-591  
FETCh:PULSe:STATistics:DUTRatio?, 2-592  
FETCh:PULSe:STATistics:FALL?, 2-592  
FETCh:PULSe:STATistics:FRDeviAtion?, 2-593  
FETCh:PULSe:STATistics:IRAMplitude?, 2-593  
FETCh:PULSe:STATistics:IRTime?, 2-594  
FETCh:PULSe:STATistics:MFReqerror?, 2-595  
FETCh:PULSe:STATistics:MPHerror?, 2-595  
FETCh:PULSe:STATistics:OVEDb?, 2-596  
FETCh:PULSe:STATistics:OVERshoot?, 2-597  
FETCh:PULSe:STATistics:PHDeviAtion?, 2-597  
FETCh:PULSe:STATistics:PPFRequency?, 2-598  
FETCh:PULSe:STATistics:PPOWer?, 2-599  
FETCh:PULSe:STATistics:PPPHase?, 2-599  
FETCh:PULSe:STATistics:RINTerval?, 2-600  
FETCh:PULSe:STATistics:RIPDb?, 2-601  
FETCh:PULSe:STATistics:RIPple?, 2-601  
FETCh:PULSe:STATistics:RISE?, 2-602  
FETCh:PULSe:STATistics:RMSFReqerror?, 2-603  
FETCh:PULSe:STATistics:RMSPherror?, 2-603  
FETCh:PULSe:STATistics:RRATE?, 2-604  
FETCh:PULSe:STATistics:WIDTh?, 2-604  
FETCh:PULSe:STATistics:X?, 2-605  
FETCh:PULSe:STATistics:XY?, 2-606  
FETCh:PULSe:STATistics[:Y]?, 2-607  
FETCh:PULSe:TRACe:X?, 2-607  
FETCh:PULSe:TRACe:XY?, 2-608  
FETCh:PULSe:TRACe[:Y]?, 2-609  
FETCh:PULSe[:RESult]:ATX?, 2-572  
FETCh:PULSe[:RESult]:AVErAge?, 2-573  
FETCh:PULSe[:RESult]:DRoDb?, 2-573  
FETCh:PULSe[:RESult]:DRoOp?, 2-574  
FETCh:PULSe[:RESult]:DUTPct?, 2-575  
FETCh:PULSe[:RESult]:DUTRatio?, 2-575  
FETCh:PULSe[:RESult]:FALL?, 2-576  
FETCh:PULSe[:RESult]:FRDeviAtion?, 2-576  
FETCh:PULSe[:RESult]:IRAMplitude?, 2-577  
FETCh:PULSe[:RESult]:IRTime?, 2-578  
FETCh:PULSe[:RESult]:MFReqerror?, 2-578  
FETCh:PULSe[:RESult]:MPHerror?, 2-579  
FETCh:PULSe[:RESult]:OVEDb?, 2-579  
FETCh:PULSe[:RESult]:OVERshoot?, 2-580  
FETCh:PULSe[:RESult]:PHDeviAtion?, 2-581  
FETCh:PULSe[:RESult]:PPFRequency?, 2-581  
FETCh:PULSe[:RESult]:PPOWer?, 2-582  
FETCh:PULSe[:RESult]:PPPHase?, 2-582  
FETCh:PULSe[:RESult]:RINTerval?, 2-583  
FETCh:PULSe[:RESult]:RIPDb?, 2-584  
FETCh:PULSe[:RESult]:RIPple?, 2-584  
FETCh:PULSe[:RESult]:RISE?, 2-585  
FETCh:PULSe[:RESult]:RMSFReqerror?, 2-585  
FETCh:PULSe[:RESult]:RMSPherror?, 2-586  
FETCh:PULSe[:RESult]:RRATE?, 2-587  
FETCh:PULSe[:RESult]:TIME?, 2-587  
FETCh:PULSe[:RESult]:WIDTh?, 2-588  
FETCh:RFIN:IQ:HEADer?, 2-610  
FETCh:RFIN:IQ:SCALE?, 2-612  
FETCh:RFIN:IQ?, 2-610  
FETCh:RFIN:RECORD:IDS?, 2-612  
FETCh:SEM:MHITs:COUNT?, 2-613  
FETCh:SEM:MHITs<x>:AMPLitude:  
ABSolute?, 2-613  
FETCh:SEM:MHITs<x>:AMPLitude:  
RELAtive?, 2-614  
FETCh:SEM:MHITs<x>:FREQuency?, 2-614  
FETCh:SEM:MHITs<x>:INTeg:ABSolute?, 2-615  
FETCh:SEM:MHITs<x>:INTeg:RELAtive?, 2-616  
FETCh:SEM:MHITs<x>:MARGin:ABSolute?, 2-616  
FETCh:SEM:MHITs<x>:MARGin:RELAtive?, 2-617  
FETCh:SEM:MHITs<x>:OFFSet?, 2-617  
FETCh:SEM:PASS?, 2-618  
FETCh:SEM:REF:POWer?, 2-618  
FETCh:SEM:SPECTrum:X?, 2-619  
FETCh:SEM:SPECTrum:XY?, 2-619  
FETCh:SEM:SPECTrum[:Y]?, 2-620

- FETCh:SGRam?, 2-621  
 FETCh:SPEctrum:TRACe<x>?, 2-621  
 FETCh:SPURious:CARRier:POWer?, 2-622  
 FETCh:SPURious:COUNT?, 2-623  
 FETCh:SPURious:PASS?, 2-623  
 FETCh:SPURious:SPEctrum:X?, 2-624  
 FETCh:SPURious:SPEctrum:XY?, 2-624  
 FETCh:SPURious:SPEctrum[:Y]?, 2-625  
 FETCh:SPURious:SPUR<x>:AMPLitude:  
   ABSolute?, 2-625  
 FETCh:SPURious:SPUR<x>:AMPLitude:  
   RELative?, 2-626  
 FETCh:SPURious:SPUR<x>:FREQuency:  
   ABSolute?, 2-626  
 FETCh:SPURious:SPUR<x>:FREQuency:  
   RELative?, 2-627  
 FETCh:SPURious:SPUR<x>:LIMit:  
   ABSolute?, 2-627  
 FETCh:SPURious:SPUR<x>:LIMit:RELative?, 2-628  
 FETCh:SPURious:SPUR<x>:LIMit:  
   VIOlation?, 2-628  
 FETCh:SPURious:SPUR<x>:RANGe?, 2-629  
 FETCh:SQUality:FREQuency:DEVIation:  
   TABLe?, 2-630  
 FETCh:SQUality:FREQuency:DEVIation?, 2-629  
 FETCh:SQUality:FREQuency:ERRor?, 2-631  
 FETCh:SQUality:GAIN:IMBalance?, 2-632  
 FETCh:SQUality:ORIGin:OFFSet?, 2-632  
 FETCh:SQUality:PEAK:EVM:DB:OFFSet?, 2-634  
 FETCh:SQUality:PEAK:EVM:DB?, 2-633  
 FETCh:SQUality:PEAK:EVM:LOCation:  
   OFFSet?, 2-635  
 FETCh:SQUality:PEAK:EVM:LOCation?, 2-634  
 FETCh:SQUality:PEAK:EVM:OFFSet?, 2-635  
 FETCh:SQUality:PEAK:EVM?, 2-633  
 FETCh:SQUality:PEAK:FERRor?, 2-636  
 FETCh:SQUality:PEAK:MERRor:DB?, 2-637  
 FETCh:SQUality:PEAK:MERRor:LOCation?, 2-637  
 FETCh:SQUality:PEAK:MERRor?, 2-636  
 FETCh:SQUality:PEAK:PERRor:LOCation?, 2-638  
 FETCh:SQUality:PEAK:PERRor?, 2-638  
 FETCh:SQUality:QUADrature:ERRor?, 2-639  
 FETCh:SQUality:RHO?, 2-639  
 FETCh:SQUality:RMS:EVM:DB:OFFSet?, 2-641  
 FETCh:SQUality:RMS:EVM:DB?, 2-640  
 FETCh:SQUality:RMS:EVM:OFFSet?, 2-641  
 FETCh:SQUality:RMS:EVM?, 2-640  
 FETCh:SQUality:RMS:FERRor?, 2-642  
 FETCh:SQUality:RMS:MERRor:DB?, 2-642  
 FETCh:SQUality:RMS:MERRor:DB?, 2-643  
 FETCh:SQUality:RMS:MERRor?, 2-643  
 FETCh:SQUality:RMS:PERRor?, 2-644  
 FETCh:SQUality:SYMBOL:LENGth?, 2-644  
 FETCh:SQUality:SYMBOL:RATE:ERRor?, 2-645  
 FETCh:SQUality:SYMBOL:RATE?, 2-644  
 FETCh:TDIagram:FERRor?, 2-646  
 FETCh:TDIagram:TRACe?, 2-646  
 FETCh:TOVerview?, 2-647
- I**
- \*IDN?, 2-647  
 INITiate:CONTinuous, 2-648  
 INITiate:RESume, 2-649  
 INITiate[:IMMediate], 2-649  
 INPut: {MLEVel|RLEVel}, 2-652  
 INPut:CORREction:EXTernal:EDIT<x>:  
   INTerpolation, 2-650  
 INPut:CORREction:EXTernal:EDIT<x>:NEW, 2-651  
 INPut:CORREction:EXTernal:TYPE, 2-651  
 INPut[:RF]:ATTenuation, 2-652  
 INPut[:RF]:ATTenuation:AUTO, 2-653  
 INPut[:RF]:ATTenuation:MONitor:STATe, 2-653  
 INPut[:RF]:GAIN:STATe, 2-654
- M**
- MMEMory: {AM|FM|PM}:LOAD:TRACe, 2-654  
 MMEMory: {AM|FM|PM}:SHOW:TRACe<x>, 2-655  
 MMEMory: {AM|FM|PM}:STORE:TRACe, 2-655  
 [MMEMory: {FSETtling|PSETtling}:LOAD:  
   TRACe<x>, 2-664  
 [MMEMory: {FSETtling|PSETtling}:SHOW:  
   TRACe<x>, 2-665  
 [MMEMory: {FSETtling|PSETtling}:STORE:  
   TRACe<x>, 2-665  
 MMEMory:AUDio:LOAD:FILTer, 2-656  
 MMEMory:AVTime:LOAD:TRACe<x>, 2-656  
 MMEMory:AVTime:SHOW:TRACe<x>, 2-657  
 MMEMory:AVTime:STORE:TRACe<x>, 2-657  
 MMEMory:CALibration:LOAD:CORREction:  
   EXTernal:EDIT<x>, 2-658  
 MMEMory:CALibration:STORE:CORREction:  
   EXTernal:EDIT<x>, 2-658  
 MMEMory:CCDF:LOAD:TRACe<x>, 2-659

MMEMory:CCDF:SHOW:TRACe<x>, 2-659  
 MMEMory:CCDF:STORE:TRACe<x>, 2-660  
 MMEMory:DDEMod:LOAD:FILTer:MEASurement:  
   UOTHer, 2-660  
 MMEMory:DDEMod:LOAD:FILTer:MEASurement:  
   USER<x>, 2-661  
 MMEMory:DDEMod:LOAD:FILTer:REFerence:  
   UOTHer, 2-661  
 MMEMory:DDEMod:LOAD:FILTer:REFerence:  
   USER<x>, 2-662  
 MMEMory:DDEMod:LOAD:SYMBOL:MAP, 2-662  
 MMEMory:DPX:LOAD:TRACe<x>, 2-662  
 MMEMory:DPX:SHOW:TRACe<x>, 2-663  
 MMEMory:DPX:STORE:TRACe<x>, 2-664  
 MMEMory:FVTime:LOAD:TRACe, 2-666  
 MMEMory:FVTIME:SHOW:TRACe<x>, 2-666  
 MMEMory:FVTime:STORE:TRACe, 2-667  
 MMEMory:IQVTime:LOAD:TRACe:I, 2-667  
 MMEMory:IQVTime:LOAD:TRACe:Q, 2-667  
 MMEMory:IQVTIME:SHOW:TRACe:I, 2-668  
 MMEMory:IQVTIME:SHOW:TRACe<x>:Q, 2-669  
 MMEMory:IQVTime:STORE:TRACe:I, 2-669  
 MMEMory:IQVTime:STORE:TRACe:Q, 2-670  
 MMEMory:LOAD:IQ, 2-670  
 MMEMory:LOAD:STATe, 2-670  
 MMEMory:LOAD:TRACe, 2-671  
 MMEMory:OFDM:CONStE:LOAD:TRACe, 2-673  
 MMEMory:OFDM:CONStE:SHOW:TRACe, 2-673  
 MMEMory:OFDM:CONStE:STORE:TRACe, 2-673  
 MMEMory:PHVTime:LOAD:TRACe, 2-674  
 MMEMory:PHVTime:SHOW:TRACe, 2-674  
 MMEMory:PHVTime:STORE:TRACe, 2-675  
 MMEMory:PNOise:LOAD:TRACe<x>, 2-675  
 MMEMory:PNOise:SHOW:TRACe<x>, 2-676  
 MMEMory:PNOise:STORE:TRACe<x>, 2-676  
 MMEMory:SEM:LOAD:TABLE, 2-677  
 MMEMory:SEM:STORE:TABLE, 2-677  
 MMEMory:SGRam:LOAD:TRACe, 2-678  
 MMEMory:SGRam:SHOW:TRACe, 2-678  
 MMEMory:SGRam:STORE:TRACe, 2-679  
 MMEMory:SPECTrum:LOAD:TRACe, 2-679  
 MMEMory:SPECTrum:SHOW:TRACe<x>, 2-680  
 MMEMory:SPECTrum:STORE:TRACe<x>, 2-680  
 MMEMory:SPURious:LOAD:TABLE, 2-681  
 MMEMory:SPURious:STORE:TABLE, 2-681  
 MMEMory:STORE:IQ, 2-682  
 MMEMory:STORE:IQ:CSV, 2-682

MMEMory:STORE:IQ:MAT, 2-683  
 MMEMory:STORE:IQ:SELEct:DATA, 2-683  
 MMEMory:STORE:IQ:SELEct:FRAMES, 2-684  
 MMEMory:STORE:IQ:SELEct:LENGth, 2-684  
 MMEMory:STORE:MSTate, 2-685  
 MMEMory:STORE:RESults, 2-685  
 MMEMory:STORE:SCReen, 2-686  
 MMEMory:STORE:STATe, 2-686  
 MMEMory:STORE:TRACe, 2-686  
 MMEMory:TOVerview:LOAD:TRACe1, 2-687  
 MMEMory:TOVerview:SHOW:TRACe1, 2-688  
 MMEMory:TOVerview:STORE:TRACe1, 2-688

## O

\*OPC, 2-689  
 \*OPT?, 2-689  
 OUTPut:IF: {BANDwidth|BWIDth}, 2-690  
 OUTPut:IF[:STATe], 2-691  
 OUTPut:IQ:SOURce, 2-691  
 OUTPut:IQ[:STATe], 2-692  
 OUTPut:NOISe[:STATe], 2-692  
 Overview of the Manual, 1-1

## R

READ: {AM|FM|PM}?, 2-695  
 READ: {FM|PM}:FERRor?, 2-740  
 READ: {FSETtling|PSETtling}:FTTime?, 2-732  
 READ: {FSETtling|PSETtling}:MASK[:  
   PASS]?, 2-733  
 READ: {FSETtling|PSETtling}:SETTled:  
   FREQuency?, 2-734  
 READ: {FSETtling|PSETtling}:SETTled:  
   TIME?, 2-734  
 READ: {FSETtling|PSETtling}:SETTled[:  
   PASS]?, 2-733  
 READ: {FSETtling|PSETtling}:SLMSd[:  
   PASS]?, 2-735  
 READ: {FSETtling|PSETtling}:STARt:TIME?, 2-735  
 READ: {FSETtling|PSETtling}:TIME?, 2-736  
 READ: {FSETtling|PSETtling}:TRACe<x>:X?, 2-736  
 READ: {FSETtling|PSETtling}:TRACe<x>:  
   XY?, 2-737  
 READ: {FSETtling|PSETtling}:TRACe<x>[:  
   Y]?, 2-737  
 READ: {FSETtling|PSETtling}:TRIGger:  
   TIME?, 2-738

READ:{FSETtling|PSETtling}:VALue?, 2-739  
 READ:ACPower:CHANnel:POWer?, 2-693  
 READ:ACPower:SPEctrum?, 2-694  
 READ:ACPower?, 2-693  
 READ:AM:AMINdex?, 2-695  
 READ:AM:AMNegative?, 2-696  
 READ:AM:AMPositive?, 2-696  
 READ:AM:RESult?, 2-697  
 READ:AUDio:FERRor?, 2-697  
 READ:AUDio:FREQuency?, 2-698  
 READ:AUDio:HARMonic:COUNT?, 2-698  
 READ:AUDio:HARMonic<x>:AMPLitude?, 2-699  
 READ:AUDio:HARMonic<x>:FREQuency?, 2-699  
 READ:AUDio:HNOise?, 2-700  
 READ:AUDio:HNREfereNce?, 2-701  
 READ:AUDio:HPTPeak?, 2-701  
 READ:AUDio:MODDist?, 2-702  
 READ:AUDio:NHARmonic:COUNT?, 2-702  
 READ:AUDio:NHARmonic<x>:AMPLitude?, 2-703  
 READ:AUDio:NHARmonic<x>:FREQuency?, 2-704  
 READ:AUDio:PNEGative?, 2-704  
 READ:AUDio:POWer?, 2-705  
 READ:AUDio:PPOSitive?, 2-705  
 READ:AUDio:RMS?, 2-706  
 READ:AUDio:SINad?, 2-706  
 READ:AUDio:SNOise?, 2-707  
 READ:AUDio:SPEctrum:TRACe<x>?, 2-707  
 READ:AUDio:THDist:DB?, 2-708  
 READ:AUDio:THDist?, 2-709  
 READ:AUDio:TNHDist:DB?, 2-709  
 READ:AUDio:TNHDist?, 2-710  
 READ:AVTime:  
     {FIRSt|SECOnd|THIRd|FOURth}?, 2-711  
 READ:AVTime:AVERAge?, 2-710  
 READ:AVTime:MAXimum?, 2-711  
 READ:AVTime:MAXLocation?, 2-712  
 READ:AVTime:MINimum?, 2-713  
 READ:AVTime:MINLocation?, 2-713  
 READ:AVTime:RESult?, 2-714  
 READ:CCDF:{FIRSt|SECOnd|THIRd}:X?, 2-715  
 READ:CCDF:{FIRSt|SECOnd|THIRd}:XY?, 2-716  
 READ:CCDF:{FIRSt|SECOnd|THIRd}[:Y]?, 2-717  
 READ:CCDF?, 2-714  
 READ:CONSte:FERRor?, 2-718  
 READ:CONSte:RESults?, 2-718  
 READ:CONSte:TRACe?, 2-719  
 READ:DDEMod:STABle?, 2-720  
 READ:DIQVtime:FERRor?, 2-720  
 READ:DIQVtime:I?, 2-721  
 READ:DIQVtime:Q?, 2-721  
 READ:DPX:DGRam:LINE:COUNT?, 2-722  
 READ:DPX:DGRam:TIME[:SCALE]:  
     OFFSet?, 2-722  
 READ:DPX:RESults:TRACe<x>?, 2-723  
 READ:DPX:TRACe:AVERAge?, 2-724  
 READ:DPX:TRACe:BITMap?, 2-724  
 READ:DPX:TRACe:MATH?, 2-725  
 READ:DPX:TRACe:MAXimum?, 2-725  
 READ:DPX:TRACe:MINimum?, 2-726  
 READ:EDIagram:FDEviation?, 2-727  
 READ:EDIagram:FERRor?, 2-727  
 READ:EDIagram:I?, 2-728  
 READ:EDIagram:Q?, 2-728  
 READ:EVM:FERRor?, 2-729  
 READ:EVM:PEAK?, 2-729  
 READ:EVM:PINDEX?, 2-730  
 READ:EVM:RMS?, 2-730  
 READ:EVM:TRACe?, 2-731  
 READ:FDVTime:FERRor?, 2-739  
 READ:FDVTime:TRACe?, 2-740  
 READ:FM:PHALf?, 2-741  
 READ:FM:PNEGative?, 2-741  
 READ:FM:PPOSitive?, 2-742  
 READ:FM:PTPeak?, 2-742  
 READ:FM:RESult?, 2-743  
 READ:FM:RMS?, 2-743  
 READ:FSETtling:ERRor?, 2-732  
 READ:FVTime:MAXimum?, 2-744  
 READ:FVTime:MAXLocation?, 2-745  
 READ:FVTime:MINimum?, 2-745  
 READ:FVTime:MINLocation?, 2-746  
 READ:FVTime:RESult?, 2-746  
 READ:FVTime?, 2-744  
 READ:IQVTime:I?, 2-747  
 READ:IQVTime:MAXimum?, 2-748  
 READ:IQVTime:MAXLocation?, 2-748  
 READ:IQVTime:MINimum?, 2-749  
 READ:IQVTime:MINLocation?, 2-749  
 READ:IQVTime:Q?, 2-750  
 READ:IQVTime:RESult?, 2-750  
 READ:MCPower:ADJacent:CHANnels?, 2-751  
 READ:MCPower:CHANnel:POWer?, 2-752  
 READ:MCPower:MAIN:CHANnels?, 2-752  
 READ:MCPower:SPEctrum?, 2-753

- READ:MERRor:FERRor?, 2-754  
READ:MERRor:PEAK?, 2-754  
READ:MERRor:PINDeX?, 2-755  
READ:MERRor:RMS?, 2-755  
READ:MERRor:TRACe?, 2-756  
READ:OBWidth:FREQuency:ERRor?, 2-756  
READ:OBWidth:OBWidth:BANDwidth?, 2-757  
READ:OBWidth:OBWidth:LEFT:  
FREQuency?, 2-757  
READ:OBWidth:OBWidth:LEFT:LEVel?, 2-758  
READ:OBWidth:OBWidth:POWer?, 2-758  
READ:OBWidth:OBWidth:RIGHT:  
FREQuency?, 2-759  
READ:OBWidth:OBWidth:RIGHT:LEVel?, 2-759  
READ:OBWidth:SPECtrum?, 2-760  
READ:OBWidth:XDBBANDwidth:  
BANDwidth?, 2-760  
READ:OBWidth:XDBBANDwidth:LEFT:  
FREQuency?, 2-761  
READ:OBWidth:XDBBANDwidth:LEFT:  
LEVel?, 2-761  
READ:OBWidth:XDBBANDwidth:POWer?, 2-762  
READ:OBWidth:XDBBANDwidth:RIGHT:  
FREQuency?, 2-762  
READ:OBWidth:XDBBANDwidth:RIGHT:  
LEVel?, 2-763  
READ:OFDM:APOWer:PEAK?, 2-764  
READ:OFDM:APOWer?, 2-763  
READ:OFDM:CONStE:MAGNitude?, 2-764  
READ:OFDM:CONStE:PHASe?, 2-765  
READ:OFDM:CONStE:TYPE?, 2-766  
READ:OFDM:CONStE:VALue?, 2-767  
READ:OFDM:CPE?, 2-767  
READ:OFDM:CRESpOnse:MAGNitude?, 2-768  
READ:OFDM:CRESpOnse:PHASe?, 2-768  
READ:OFDM:EVM:PEAK:DECibel:ALL?, 2-769  
READ:OFDM:EVM:PEAK:DECibel:DATA?, 2-769  
READ:OFDM:EVM:PEAK:DECibel:PILOts?, 2-770  
READ:OFDM:EVM:PEAK:PERCent:ALL?, 2-770  
READ:OFDM:EVM:PEAK:PERCent:DATA?, 2-771  
READ:OFDM:EVM:PEAK:PERCent:PILOts?, 2-771  
READ:OFDM:EVM:PEAK:SCARrier:ALL?, 2-772  
READ:OFDM:EVM:PEAK:SCARrier:DATA?, 2-772  
READ:OFDM:EVM:PEAK:SCARrier:PILOts?, 2-773  
READ:OFDM:EVM:PEAK:SYMBol:ALL?, 2-773  
READ:OFDM:EVM:PEAK:SYMBol:DATA?, 2-774  
READ:OFDM:EVM:PEAK:SYMBol:PILOts?, 2-774  
READ:OFDM:EVM:RMS:DECibel:ALL?, 2-775  
READ:OFDM:EVM:RMS:DECibel:DATA?, 2-775  
READ:OFDM:EVM:RMS:DECibel:PILOts?, 2-776  
READ:OFDM:EVM:RMS:PERCent:ALL?, 2-776  
READ:OFDM:EVM:RMS:PERCent:DATA?, 2-777  
READ:OFDM:EVM:RMS:PERCent:PILOts?, 2-777  
READ:OFDM:EVM:TRACe(x)?, 2-778  
READ:OFDM:FERRor?, 2-778  
READ:OFDM:GAIN:IMBalance?, 2-779  
READ:OFDM:IQ:ORIGin:OFFSet?, 2-779  
READ:OFDM:MERRor:TRACe(x)?, 2-780  
READ:OFDM:PACKet:DIRectiOn?, 2-781  
READ:OFDM:PERRor:TRACe(x)?, 2-781  
READ:OFDM:POWer:TRACe(x)?, 2-782  
READ:OFDM:QUADrature:OFFSet?, 2-783  
READ:OFDM:SCARriers:SPACing?, 2-784  
READ:OFDM:SCARriers?, 2-783  
READ:OFDM:STABLE:VALue?, 2-784  
READ:OFDM:SYMBol:CERRor?, 2-785  
READ:OFDM:SYMBol:COUNt?, 2-785  
READ:PERRor:FERRor?, 2-786  
READ:PERRor:PEAK?, 2-786  
READ:PERRor:PINDeX?, 2-787  
READ:PERRor:RMS, 2-787  
READ:PERRor:TRACe?, 2-788  
READ:PHVTime:MAXimum?, 2-789  
READ:PHVTime:MAXLocation?, 2-789  
READ:PHVTime:MINimum?, 2-790  
READ:PHVTime:MINLocation?, 2-790  
READ:PHVTime:RESult?, 2-791  
READ:PHVTime?, 2-788  
READ:PM:PNEGative?, 2-792  
READ:PM:PPOSitive?, 2-792  
READ:PM:PTPeak?, 2-793  
READ:PM:RESult?, 2-793  
READ:PM:RMS?, 2-794  
READ:PNOise:ALL?, 2-794  
READ:PNOise:CARRier:FERRor?, 2-795  
READ:PNOise:CARRier:POWer?, 2-795  
READ:PNOise:JITTer?, 2-796  
READ:PNOise:RESidual:FM?, 2-796  
READ:PNOise:RMS:PNOise?, 2-797  
READ:PNOise:SPECtrum<x>:X?, 2-797  
READ:PNOise:SPECtrum<x>:XY?, 2-798  
READ:PNOise:SPECtrum<x>[:Y]?, 2-799  
READ:PULSe:STATistics:ATX?, 2-816  
READ:PULSe:STATistics:AVErAge?, 2-817



- READ:PULSe:STATistics:DRODb?, 2-817  
 READ:PULSe:STATistics:DRoop?, 2-818  
 READ:PULSe:STATistics:DUTPct?, 2-819  
 READ:PULSe:STATistics:DUTRatio?, 2-819  
 READ:PULSe:STATistics:FALL?, 2-820  
 READ:PULSe:STATistics:FRDeviation?, 2-821  
 READ:PULSe:STATistics:IRAMplitude?, 2-821  
 READ:PULSe:STATistics:IRTime?, 2-822  
 READ:PULSe:STATistics:MFRqerror?, 2-822  
 READ:PULSe:STATistics:MPHerror?, 2-823  
 READ:PULSe:STATistics:OVEDb?, 2-824  
 READ:PULSe:STATistics:OVERshoot?, 2-824  
 READ:PULSe:STATistics:PHDeviation?, 2-825  
 READ:PULSe:STATistics:PPFRequency?, 2-826  
 READ:PULSe:STATistics:PPOWer?, 2-826  
 READ:PULSe:STATistics:PPPHase?, 2-827  
 READ:PULSe:STATistics:RINTerval?, 2-828  
 READ:PULSe:STATistics:RIPDb?, 2-828  
 READ:PULSe:STATistics:RIPPlE?, 2-829  
 READ:PULSe:STATistics:RISE?, 2-830  
 READ:PULSe:STATistics:RMSFreqerror?, 2-830  
 READ:PULSe:STATistics:RMSPherror?, 2-831  
 READ:PULSe:STATistics:RRATE?, 2-831  
 READ:PULSe:STATistics:WIDTh?, 2-832  
 READ:PULSe:STATistics:X?, 2-833  
 READ:PULSe:STATistics:XY?, 2-834  
 READ:PULSe:STATistics?, 2-815  
 READ:PULSe:STATistics[:Y]?, 2-834  
 READ:PULSe:TRACe:X?, 2-835  
 READ:PULSe:TRACe:XY?, 2-836  
 READ:PULSe:TRACe[:Y]?, 2-836  
 READ:PULSe[:RESult]:ATX?, 2-799  
 READ:PULSe[:RESult]:AVERAge?, 2-800  
 READ:PULSe[:RESult]:DRODb?, 2-800  
 READ:PULSe[:RESult]:DRoop?, 2-801  
 READ:PULSe[:RESult]:DUTPct?, 2-802  
 READ:PULSe[:RESult]:DUTRatio?, 2-802  
 READ:PULSe[:RESult]:FALL?, 2-803  
 READ:PULSe[:RESult]:FRDeviation?, 2-803  
 READ:PULSe[:RESult]:IRAMplitude?, 2-804  
 READ:PULSe[:RESult]:IRTime?, 2-804  
 READ:PULSe[:RESult]:MFRqerror?, 2-805  
 READ:PULSe[:RESult]:MPHerror?, 2-806  
 READ:PULSe[:RESult]:OVEDb?, 2-806  
 READ:PULSe[:RESult]:OVERshoot?, 2-807  
 READ:PULSe[:RESult]:PHDeviation?, 2-807  
 READ:PULSe[:RESult]:PPFRequency?, 2-808  
 READ:PULSe[:RESult]:PPOWer?, 2-809  
 READ:PULSe[:RESult]:PPPHase?, 2-809  
 READ:PULSe[:RESult]:RINTerval?, 2-810  
 READ:PULSe[:RESult]:RIPDb?, 2-810  
 READ:PULSe[:RESult]:RIPPlE?, 2-811  
 READ:PULSe[:RESult]:RISE?, 2-812  
 READ:PULSe[:RESult]:RMSFreqerror?, 2-812  
 READ:PULSe[:RESult]:RMSPherror?, 2-813  
 READ:PULSe[:RESult]:RRATE?, 2-813  
 READ:PULSe[:RESult]:TIME?, 2-814  
 READ:PULSe[:RESult]:WIDTh?, 2-815  
 READ:SEM:MHITs:COUNT?, 2-837  
 READ:SEM:MHITs<x>:AMPLitude:  
     ABSolute?, 2-838  
 READ:SEM:MHITs<x>:AMPLitude:  
     RELative?, 2-838  
 READ:SEM:MHITs<x>:FREQuency?, 2-839  
 READ:SEM:MHITs<x>:INTeg:ABSolute?, 2-839  
 READ:SEM:MHITs<x>:INTeg:RELative?, 2-840  
 READ:SEM:MHITs<x>:MARGin:ABSolute?, 2-840  
 READ:SEM:MHITs<x>:MARGin:RELative?, 2-841  
 READ:SEM:MHITs<x>:OFFSet?, 2-841  
 READ:SEM:PASS?, 2-842  
 READ:SEM:REF:POWer?, 2-842  
 READ:SEM:SPECtrum:X?, 2-843  
 READ:SEM:SPECtrum:XY?, 2-843  
 READ:SEM:SPECtrum[:Y]?, 2-844  
 READ:SGRam?, 2-845  
 READ:SPECtrum:TRACe<x>?, 2-845  
 READ:SPURious:CARRier:POWer?, 2-846  
 READ:SPURious:COUNT?, 2-847  
 READ:SPURious:PASS?, 2-847  
 READ:SPURious:SPECtrum:X?, 2-848  
 READ:SPURious:SPECtrum:XY?, 2-848  
 READ:SPURious:SPECtrum[:Y]?, 2-849  
 READ:SPURious:SPUR<x>:AMPLitude:  
     ABSolute?, 2-850  
 READ:SPURious:SPUR<x>:AMPLitude:  
     RELative?, 2-850  
 READ:SPURious:SPUR<x>:FREQuency:  
     ABSolute?, 2-851  
 READ:SPURious:SPUR<x>:FREQuency:  
     RELative?, 2-851  
 READ:SPURious:SPUR<x>:LIMit:ABSolute?, 2-852  
 READ:SPURious:SPUR<x>:LIMit:RELative?, 2-852  
 READ:SPURious:SPUR<x>:LIMit:  
     VIOLation?, 2-853

READ:SPURious:SPUR<x>:RANGe?, 2-853  
 READ:SQUality:FREQUency:DEVIation:  
     TABLe?, 2-854  
 READ:SQUality:FREQUency:DEVIation?, 2-854  
 READ:SQUality:FREQUency:ERRor?, 2-855  
 READ:SQUality:GAIN:IMBalance?, 2-856  
 READ:SQUality:ORIGin:OFFSet?, 2-856  
 READ:SQUality:PEAK:EVM:DB:OFFSet?, 2-858  
 READ:SQUality:PEAK:EVM:DB?, 2-857  
 READ:SQUality:PEAK:EVM:LOCation:  
     OFFSet?, 2-859  
 READ:SQUality:PEAK:EVM:LOCation?, 2-858  
 READ:SQUality:PEAK:EVM:OFFSet?, 2-859  
 READ:SQUality:PEAK:EVM?, 2-857  
 READ:SQUality:PEAK:FERRor?, 2-860  
 READ:SQUality:PEAK:MERRor:DB?, 2-861  
 READ:SQUality:PEAK:MERRor:LOCation?, 2-861  
 READ:SQUality:PEAK:MERRor?, 2-860  
 READ:SQUality:PEAK:PERRor:LOCation?, 2-862  
 READ:SQUality:PEAK:PERRor?, 2-862  
 READ:SQUality:QUADrature:ERRor?, 2-863  
 READ:SQUality:RHO?, 2-863  
 READ:SQUality:RMS:EVM:DB:OFFSet?, 2-865  
 READ:SQUality:RMS:EVM:DB?, 2-864  
 READ:SQUality:RMS:EVM:OFFSet?, 2-865  
 READ:SQUality:RMS:EVM?, 2-864  
 READ:SQUality:RMS:FERRor?, 2-866  
 READ:SQUality:RMS:MER:DB?, 2-866  
 READ:SQUality:RMS:MERRor:DB?, 2-867  
 READ:SQUality:RMS:MERRor?, 2-867  
 READ:SQUality:RMS:PERRor?, 2-868  
 READ:SQUality:SYMBol:LENGth?, 2-868  
 READ:SQUality:SYMBol:RATE:ERRor?, 2-869  
 READ:SQUality:SYMBol:RATE?, 2-869  
 READ:TDIagram:FERRor?, 2-870  
 READ:TDIagram:TRACe?, 2-870  
 READ:TOVerview?, 2-871  
 Related Documentation, v  
 \*RST, 2-871

## S

[SENSe]: {AM|FM|PM} : {BANDwidth|BWIDth} :  
     MEASurement, 2-890  
 [SENSe]: {AM|FM|PM} :  
     {MTPoints|MAXTracepoints}, 2-891  
 [SENSe]: {AM|FM|PM} : CLear:RESults, 2-890  
 [SENSe]: {FM|PM} : BURSt:THReshold, 2-963

[SENSe]: {FM|PM} : FREQUency:OFFSet, 2-963  
 [SENSe]: {FM|PM} : FREQUency:OFFSet:  
     MARKer, 2-964  
 [SENSe]: {FM|PM} : FREQUency:SEARCh:  
     AUTO, 2-964  
 [SENSe]: {FSETtling|PSETtling} :  
     {BANDwidth|BWIDTh}, 2-965  
 [SENSe]: {FSETtling|PSETtling} :  
     {BANDwidth|BWIDTh} : ACTual?, 2-966  
 [SENSe]: {FSETtling|PSETtling} : FREQUency:  
     CENTer, 2-966  
 [SENSe]: {FSETtling|PSETtling} : FREQUency:  
     OFFSet, 2-967  
 [SENSe]: {FSETtling|PSETtling} : LENGth, 2-969  
 [SENSe]: {FSETtling|PSETtling} : LENGth:  
     ACTual?, 2-969  
 [SENSe]: {FSETtling|PSETtling} : MASK:  
     LIMit, 2-971  
 [SENSe]: {FSETtling|PSETtling} : MASK:  
     STATe, 2-970  
 [SENSe]: {FSETtling|PSETtling} : MASK:TIME:  
     REFerence, 2-970  
 [SENSe]: {FSETtling|PSETtling} : MASK:TIME:  
     STARt, 2-971  
 [SENSe]: {FSETtling|PSETtling} : MASK:TIME:  
     STOP, 2-971  
 [SENSe]: {FSETtling|PSETtling} :  
     MAXTracepoints, 2-965  
 [SENSe]: {FSETtling|PSETtling} : SDURation:  
     MINimum, 2-972  
 [SENSe]: {FSETtling|PSETtling} : TARGet:  
     REFerence, 2-967  
 [SENSe]: {FSETtling|PSETtling} : TOLerance, 2-968  
 [SENSe]: ACPower: {BANDwidth|BWIDth} :  
     VIDeo, 2-875  
 [SENSe]: ACPower: {BANDwidth|BWIDth} : VIDeo:  
     STATe, 2-875  
 [SENSe]: ACPower: {BANDwidth|BWIDth} [:  
     RESolution], 2-873  
 [SENSe]: ACPower: {BANDwidth|BWIDth} [:  
     RESolution]:ACTual?, 2-874  
 [SENSe]: ACPower: {BANDwidth|BWIDth} [:  
     RESolution]:AUTO, 2-874  
 [SENSe]: ACPower: AVERAge, 2-872  
 [SENSe]: ACPower: AVERAge:COUNT, 2-873  
 [SENSe]: ACPower: CHANnel:  
     {BANDwidth|BWIDth}, 2-876

- [SENSe]:ACPower:CHANnel:FILTer, 2-876
- [SENSe]:ACPower:CHANnel:PAIRs, 2-877
- [SENSe]:ACPower:CHANnel:SPACing, 2-877
- [SENSe]:ACPower:CHIPrate, 2-878
- [SENSe]:ACPower:CLEar:RESults, 2-878
- [SENSe]:ACPower:FREQuency, 2-879
- [SENSe]:ACPower:FREQuency:STEP, 2-879
- [SENSe]:ACPower:FREQuency:STEP:AUTO, 2-880
- [SENSe]:ACPower:NFLoor:STATe, 2-880
- [SENSe]:ACPower:POINts:COUNT, 2-881
- [SENSe]:ACPower:RRCRolloff, 2-881
- [SENSe]:ACQuisition: {BANDwidth|BWIDth}, 2-882
- [SENSe]:ACQuisition:FFRame:ACTual?, 2-882
- [SENSe]:ACQuisition:FFRame:LIMit, 2-883
- [SENSe]:ACQuisition:FFRame:STATe, 2-883
- [SENSe]:ACQuisition:FSAVe:ENABle, 2-883
- [SENSe]:ACQuisition:FSAVe:FILEs:
  - MAXimum, 2-885
- [SENSe]:ACQuisition:FSAVe:FORMat, 2-884
- [SENSe]:ACQuisition:FSAVe:LOCation, 2-885
- [SENSe]:ACQuisition:FSAVe:NAME:BASE, 2-884
- [SENSe]:ACQuisition:MEMory:AVAILable:
  - SAMPles?, 2-886
- [SENSe]:ACQuisition:MEMory:CAPacity[:
  - TIME]?, 2-886
- [SENSe]:ACQuisition:MEMory:USED[:
  - PERCent]?, 2-887
- [SENSe]:ACQuisition:MODE, 2-887
- [SENSe]:ACQuisition:OPTimization, 2-888
- [SENSe]:ACQuisition:SAMPles, 2-889
- [SENSe]:ACQuisition:SECONds, 2-889
- [SENSe]:AM:DETECT:AMPLitude, 2-891
- [SENSe]:ANALysis:ADVanced:DITHer, 2-892
- [SENSe]:ANALysis:ADVanced:DITHer:HWARe:
  - STATus?, 2-892
- [SENSe]:ANALysis:LENGth, 2-893
- [SENSe]:ANALysis:LENGth:ACTual?, 2-894
- [SENSe]:ANALysis:LENGth:AUTO, 2-894
- [SENSe]:ANALysis:REFerence, 2-895
- [SENSe]:ANALysis:STARt, 2-895
- [SENSe]:ANALysis:STARt:AUTO, 2-896
- [SENSe]:ANSPectrum:STARt:AUTO:
  - METHod, 2-896
- [SENSe]:AUDio:AVERage:COUNT, 2-897
- [SENSe]:AUDio:AVERage:ENABle, 2-897
- [SENSe]:AUDio:BANDwidth|BWIDth, 2-897
- [SENSe]:AUDio:BANDwidth|BWIDth:
  - RESolution, 2-898
- [SENSe]:AUDio:BANDwidth|BWIDth:RESolution:
  - AUTO, 2-898
- [SENSe]:AUDio:BANDwidth|BWIDth:RESolution:
  - SHAPE, 2-899
- [SENSe]:AUDio:CARRier:OFFSet, 2-899
- [SENSe]:AUDio:CARRier:OFFSet:AUTO, 2-900
- [SENSe]:AUDio:FILTer:DEEMphasis, 2-900
- [SENSe]:AUDio:FILTer:DEEMphasis:
  - ENABle, 2-901
- [SENSe]:AUDio:FILTer:DEEMphasis:USER, 2-901
- [SENSe]:AUDio:FILTer:HPF, 2-902
- [SENSe]:AUDio:FILTer:HPF:ENABle, 2-902
- [SENSe]:AUDio:FILTer:HPF:USER, 2-903
- [SENSe]:AUDio:FILTer:LPF, 2-903
- [SENSe]:AUDio:FILTer:LPF:ENABle, 2-904
- [SENSe]:AUDio:FILTer:LPF:USER, 2-904
- [SENSe]:AUDio:FILTer:MODE:PREDEfined, 2-905
- [SENSe]:AUDio:FILTer:SOURce?, 2-905
- [SENSe]:AUDio:FILTer:STANdard, 2-906
- [SENSe]:AUDio:FILTer:STANdard:ENABle, 2-906
- [SENSe]:AUDio:FREQuency, 2-907
- [SENSe]:AUDio:FREQuency:AUTO, 2-907
- [SENSe]:AUDio:HNOise:ENABle, 2-907
- [SENSe]:AUDio:HNOise:REFerence, 2-908
- [SENSe]:AUDio:SIGNAL:TYPE, 2-908
- [SENSe]:AUDio:SPECTrum:CLEar:RESults, 2-909
- [SENSe]:AUDio:SPECTrum:POINts:COUNT, 2-910
- [SENSe]:AUDio:UNITs, 2-910
- [SENSe]:AVTime: {BANDwidth|BWIDth}, 2-911
- [SENSe]:AVTime: {BANDwidth|BWIDth}:
  - ACTual?, 2-912
- [SENSe]:AVTime:CLEar:RESults, 2-912
- [SENSe]:AVTime:MAXTracepoints, 2-912
- [SENSe]:AVTime:METHod, 2-913
- [SENSe]:AVTime:SPAN, 2-914
- [SENSe]:CCDF: {BANDwidth|BWIDth}, 2-914
- [SENSe]:CCDF:CLEar, 2-914
- [SENSe]:CCDF:TIME:TOTAL:LENGth, 2-915
- [SENSe]:CCDF:TIME:TYPE, 2-915
- [SENSe]:DDEMod: {BANDwidth|BWIDth}:
  - MODE, 2-919
- [SENSe]:DDEMod: {BANDwidth|BWIDth}:
  - TINTerval, 2-919
- [SENSe]:DDEMod: {BANDwidth|BWIDth}:
  - TINTerval:AUTO, 2-920

- [SENSe]:DDEMod:ANALysis:LENGth, 2-916  
 [SENSe]:DDEMod:ANALysis:LENGth:  
   ACTual?, 2-918  
 [SENSe]:DDEMod:ANALysis:LENGth:  
   AUTO, 2-918  
 [SENSe]:DDEMod:BURSt:DETECT, 2-921  
 [SENSe]:DDEMod:BURSt:THREShold, 2-921  
 [SENSe]:DDEMod:CARRier:OFFSet, 2-922  
 [SENSe]:DDEMod:CARRier:OFFSet:AUTO, 2-922  
 [SENSe]:DDEMod:EQUalizer:AVAIlable?, 2-923  
 [SENSe]:DDEMod:EQUalizer:CONVergence, 2-923  
 [SENSe]:DDEMod:EQUalizer:ENABle, 2-924  
 [SENSe]:DDEMod:EQUalizer:LENGth, 2-924  
 [SENSe]:DDEMod:EQUalizer:MODE, 2-925  
 [SENSe]:DDEMod:EQUalizer:RESEt, 2-925  
 [SENSe]:DDEMod:EQUalizer:TAPS, 2-926  
 [SENSe]:DDEMod:EQUalizer:TSRAtio, 2-926  
 [SENSe]:DDEMod:FILTer:ALPHa, 2-926  
 [SENSe]:DDEMod:FILTer:MEASurement, 2-927  
 [SENSe]:DDEMod:FILTer:REFerence, 2-928  
 [SENSe]:DDEMod:FREQuency:DEViation, 2-929  
 [SENSe]:DDEMod:FREQuency:DEViation:  
   AUTO, 2-929  
 [SENSe]:DDEMod:MAGNitude:NORMalize, 2-930  
 [SENSe]:DDEMod:MINdex, 2-930  
 [SENSe]:DDEMod:MINdex:AUTO, 2-931  
 [SENSe]:DDEMod:MODulation:TYPE, 2-932  
 [SENSe]:DDEMod:PRESEt, 2-933  
 [SENSe]:DDEMod:SRATE, 2-935  
 [SENSe]:DDEMod:SWAP:IQ, 2-936  
 [SENSe]:DDEMod:SYMBOL:HSSHift, 2-937  
 [SENSe]:DDEMod:SYMBOL:MAP:SOURce?, 2-937  
 [SENSe]:DDEMod:SYMBOL:MAP[:STATe], 2-938  
 [SENSe]:DDEMod:SYMBOL:PLOT:POSition, 2-938  
 [SENSe]:DDEMod:SYMBOL:POINTs, 2-939  
 [SENSe]:DDEMod:SYMBOL:RATE:SEARch, 2-939  
 [SENSe]:DDEMod:SYNCh:WORD, 2-940  
 [SENSe]:DDEMod:SYNCh:WORD:SYMBOL, 2-940  
 [SENSe]:DDEMod:TIME:UNITs, 2-941  
 [SENSe]:DPX:{BANDwidth|BWIDth}:  
   ACTual?, 2-944  
 [SENSe]:DPX:{BANDwidth|BWIDth}:  
   RESolution, 2-945  
 [SENSe]:DPX:{BANDwidth|BWIDth}[:RESolution]:  
   AUTO, 2-945  
 [SENSe]:DPX:AUDio:DEMod:GAIN, 2-941  
 [SENSe]:DPX:AUDio:DEMod:RXBWidth, 2-942  
 [SENSe]:DPX:AUDio:DEMod:  
   RXFREquency?, 2-942  
 [SENSe]:DPX:AUDio:DEMod:STATe, 2-943  
 [SENSe]:DPX:AUDio:DEMod:TUNE, 2-943  
 [SENSe]:DPX:AUDio:DEMod:TYPE, 2-944  
 [SENSe]:DPX:CLear:RESults, 2-946  
 [SENSe]:DPX:COLor, 2-946  
 [SENSe]:DPX:COLor:MAXimum, 2-947  
 [SENSe]:DPX:COLor:MINimum, 2-948  
 [SENSe]:DPX:DDENsity:MEASurement:  
   SHOW, 2-948  
 [SENSe]:DPX:DGRam:COLor:MAXimum, 2-949  
 [SENSe]:DPX:DGRam:COLor:MINimum, 2-949  
 [SENSe]:DPX:DGRam:POINTs:COUNT, 2-950  
 [SENSe]:DPX:DGRam:TIME:CAPacity?, 2-950  
 [SENSe]:DPX:DGRam:TIME:RESolution, 2-951  
 [SENSe]:DPX:DGRam:TIME:RESolution:  
   AUTO, 2-951  
 [SENSe]:DPX:DGRam:WATERfall:DIRection, 2-952  
 [SENSe]:DPX:DGRam:WATERfall:ENABle, 2-952  
 [SENSe]:DPX:DGRam:Y[:SCALE]:AUTO, 2-953  
 [SENSe]:DPX:DGRam:Y[:SCALE]:RESEt, 2-953  
 [SENSe]:DPX:DWELL, 2-953  
 [SENSe]:DPX:DWELL:AUTO, 2-954  
 [SENSe]:DPX:FREQuency:CENTer, 2-954  
 [SENSe]:DPX:FREQuency:SPAN, 2-955  
 [SENSe]:DPX:FREQuency:SPAN:  
   {BANDwidth|BWIDth}[:RESolution]:  
   RATio, 2-956  
 [SENSe]:DPX:FREQuency:STARt, 2-956  
 [SENSe]:DPX:FREQuency:STEP, 2-957  
 [SENSe]:DPX:FREQuency:STEP:AUTO, 2-957  
 [SENSe]:DPX:FREQuency:STOP, 2-958  
 [SENSe]:DPX:PLOT, 2-958  
 [SENSe]:DPX:POINTs:COUNT, 2-959  
 [SENSe]:DPX:TDM:{BANDwidth|BWIDth}, 2-959  
 [SENSe]:DPX:TDM:{BANDwidth|BWIDth}:  
   ACTual?, 2-960  
 [SENSe]:DPX:TDM:FREQuency:CENTer, 2-960  
 [SENSe]:DPX:TDM:RBW, 2-961  
 [SENSe]:DPX:TDM:RBW:STATe, 2-961  
 [SENSe]:DPX:TDM:SWEep:TIME, 2-962  
 [SENSe]:DPX:TDM:TMOTion, 2-962  
 [SENSe]:FVTime:CLear:RESults, 2-973  
 [SENSe]:FVTime:FREQuency:CENTer, 2-973  
 [SENSe]:FVTime:FREQuency:SPAN, 2-974  
 [SENSe]:FVTime:FREQuency:STARt, 2-974

- [SENSe]:FVTime:FREQuency:STEP, 2-975
- [SENSe]:FVTime:FREQuency:STEP:AUTO, 2-975
- [SENSe]:FVTime:FREQuency:STOP, 2-976
- [SENSe]:FVTime:MAXTracepoints, 2-976
- [SENSe]:IQVTime:CLEar:RESults, 2-977
- [SENSe]:IQVTime:FREQuency:CENTer, 2-977
- [SENSe]:IQVTime:FREQuency:SPAN, 2-978
- [SENSe]:IQVTime:FREQuency:STARt, 2-978
- [SENSe]:IQVTime:FREQuency:STEP, 2-979
- [SENSe]:IQVTime:FREQuency:STEP:AUTO, 2-979
- [SENSe]:IQVTime:FREQuency:STOP, 2-980
- [SENSe]:IQVTime:MAXTracepoints, 2-980
- [SENSe]:MCPower: {BANDwidth|BWIDth}:  
VIDeo, 2-983
- [SENSe]:MCPower: {BANDwidth|BWIDth}:VIDeo:  
STATe, 2-984
- [SENSe]:MCPower: {BANDwidth|BWIDth}[:  
RESolution], 2-982
- [SENSe]:MCPower: {BANDwidth|BWIDth}[:  
RESolution]:ACTual?, 2-982
- [SENSe]:MCPower: {BANDwidth|BWIDth}[:  
RESolution]:AUTO, 2-983
- [SENSe]:MCPower:AVERAge, 2-981
- [SENSe]:MCPower:AVERAge:COUNT, 2-981
- [SENSe]:MCPower:CHANnel:ADJacent:ADD, 2-984
- [SENSe]:MCPower:CHANnel:ADJacent:  
DELEte, 2-985
- [SENSe]:MCPower:CHANnel:FILTer, 2-985
- [SENSe]:MCPower:CHANnel:MAIN:  
{BANDwidth|BWIDth}, 2-986
- [SENSe]:MCPower:CHANnel:MAIN:COUNT, 2-986
- [SENSe]:MCPower:CHANnel:MAIN:  
INACTive, 2-987
- [SENSe]:MCPower:CHANnel:MAIN:  
SPACing, 2-987
- [SENSe]:MCPower:CHIPrate, 2-988
- [SENSe]:MCPower:CLEar:RESults, 2-988
- [SENSe]:MCPower:FREQuency, 2-989
- [SENSe]:MCPower:FREQuency:STEP, 2-989
- [SENSe]:MCPower:FREQuency:STEP:AUTO, 2-990
- [SENSe]:MCPower:NFLoor:STATe, 2-990
- [SENSe]:MCPower:POINts:COUNT, 2-991
- [SENSe]:MCPower:RCHannels:MAIN<x>, 2-992
- [SENSe]:MCPower:RCHannels:TOTal, 2-992
- [SENSe]:MCPower:RCHannels?, 2-991
- [SENSe]:MCPower:RRCRolloff, 2-993
- [SENSe]:MEASurement:FREQuency, 2-993
- [SENSe]:MEASurement:FREQuency:CENTer:  
LOCK, 2-994
- [SENSe]:OBWidth: {BANDwidth|BWIDth}:  
MEASurement, 2-995
- [SENSe]:OBWidth: {BANDwidth|BWIDth}:  
VIDeo, 2-997
- [SENSe]:OBWidth: {BANDwidth|BWIDth}:VIDeo:  
STATe, 2-998
- [SENSe]:OBWidth: {BANDwidth|BWIDth}[:  
RESolution], 2-996
- [SENSe]:OBWidth: {BANDwidth|BWIDth}[:  
RESolution]:ACTual?, 2-996
- [SENSe]:OBWidth: {BANDwidth|BWIDth}[:  
RESolution]:AUTO, 2-997
- [SENSe]:OBWidth:AVERAge, 2-994
- [SENSe]:OBWidth:AVERAge:COUNT, 2-995
- [SENSe]:OBWidth:CLEar:RESults, 2-998
- [SENSe]:OBWidth:FREQuency:CENTer, 2-999
- [SENSe]:OBWidth:FREQuency:STEP, 2-999
- [SENSe]:OBWidth:FREQuency:STEP:AUTO, 2-1000
- [SENSe]:OBWidth:PERCent, 2-1000
- [SENSe]:OBWidth:XDBLevel, 2-1001
- [SENSe]:OFDM:CHANnel:ESTimation, 2-1001
- [SENSe]:OFDM:CHANnel[:  
BANDwidth|BWIDth], 2-1001
- [SENSe]:OFDM:CHANnel[:BANDwidth|BWIDth]:  
SRATE?, 2-1002
- [SENSe]:OFDM:CHANnel[:BANDwidth|BWIDth]:  
STATe, 2-1002
- [SENSe]:OFDM:CONSte:DETermination, 2-1003
- [SENSe]:OFDM:CONSte:DETermination:  
MANual, 2-1003
- [SENSe]:OFDM:FFT:LENGth?, 2-1004
- [SENSe]:OFDM:GUARd:INTerval, 2-1004
- [SENSe]:OFDM:GUARd:INTerval:USER, 2-1005
- [SENSe]:OFDM:PILOt:TRACking:AMPLitude:  
STATe, 2-1005
- [SENSe]:OFDM:PILOt:TRACking:PHASe:  
STATe, 2-1006
- [SENSe]:OFDM:PILOt:TRACking:TIMing:  
STATe, 2-1006
- [SENSe]:OFDM:RADix, 2-1007
- [SENSe]:OFDM:SCARrier:SPACing, 2-1007
- [SENSe]:OFDM:SCARrier:SPACing:STATe, 2-1008
- [SENSe]:OFDM:SCARriers, 2-1008
- [SENSe]:OFDM:SCARriers:RANGe:STARt, 2-1009
- [SENSe]:OFDM:SCARriers:RANGe:STOP, 2-1009

- [SENSe]:OFDM:SCARriers:SINGle:INDex, 2-1010
- [SENSe]:OFDM:STANdard, 2-1010
- [SENSe]:OFDM:SWAP:IQ, 2-1011
- [SENSe]:OFDM:SYMBol:ANALYsis:OFFSet, 2-1011
- [SENSe]:OFDM:SYMBols, 2-1012
- [SENSe]:OFDM:SYMBols:MAX, 2-1012
- [SENSe]:OFDM:SYMBols:MAX:STATe, 2-1013
- [SENSe]:OFDM:SYMBols:RANGe:COUNt, 2-1013
- [SENSe]:OFDM:SYMBols:RANGe:STARt, 2-1014
- [SENSe]:OFDM:SYMBols:SINGle:INDex, 2-1014
- [SENSe]:OFDM:UNIT:FREQuency, 2-1014
- [SENSe]:OFDM:UNIT:TIME, 2-1015
- [SENSe]:PHVTime:CLear:RESults, 2-1015
- [SENSe]:PHVTime:FREQuency:CENTer, 2-1016
- [SENSe]:PHVTime:FREQuency:SPAN, 2-1016
- [SENSe]:PHVTime:FREQuency:STARt, 2-1017
- [SENSe]:PHVTime:FREQuency:STEP, 2-1017
- [SENSe]:PHVTime:FREQuency:STEP:  
  AUTO, 2-1018
- [SENSe]:PHVTime:FREQuency:STOP, 2-1018
- [SENSe]:PHVTime:MAXTracepoints, 2-1019
- [SENSe]:PM:PHASe:OFFSet, 2-1020
- [SENSe]:PM:PHASe:OFFSet:MARKer, 2-1020
- [SENSe]:PM:PHASe:SEARch:AUTO, 2-1020
- [SENSe]:PNOise:AVERAge:COUNt, 2-1021
- [SENSe]:PNOise:AVERAge:ENABLE, 2-1021
- [SENSe]:PNOise:CARRier:FREQuency:  
  TRACK, 2-1022
- [SENSe]:PNOise:CARRier:THReshold, 2-1022
- [SENSe]:PNOise:CLear:RESults, 2-1023
- [SENSe]:PNOise:FREQuency:INTegration:OFFSet:  
  STARt, 2-1023
- [SENSe]:PNOise:FREQuency:INTegration:OFFSet:  
  STOP, 2-1024
- [SENSe]:PNOise:FREQuency:PLOT:OFFSet:  
  STARt, 2-1024
- [SENSe]:PNOise:FREQuency:PLOT:OFFSet:  
  STOP, 2-1025
- [SENSe]:PNOise:OPTimization, 2-1025
- [SENSe]:POWER:UNITs, 2-1026
- [SENSe]:PULSe:ANALyze:FDOMain:  
  MEASurement:TIME:ALENgtH, 2-1027
- [SENSe]:PULSe:ANALyze:FDOMain:  
  MEASurement:TIME:METHod, 2-1027
- [SENSe]:PULSe:ANALyze:FDOMain:  
  MEASurement:TIME:RLENgtH, 2-1028
- [SENSe]:PULSe:ANALyze:FDOMain:  
  MEASurement:TIME:RLEVel, 2-1028
- [SENSe]:PULSe:ANALyze:FDOMain:  
  MEASurement:TIME:STARt, 2-1029
- [SENSe]:PULSe:ANALyze:IRESpOse:CORRection:  
  AMPLitude[:STATe], 2-1029
- [SENSe]:PULSe:ANALyze:IRESpOse:  
  KOTime, 2-1030
- [SENSe]:PULSe:ANALyze:IRESpOse:  
  MEASurement:TIME:ALENgtH, 2-1030
- [SENSe]:PULSe:ANALyze:IRESpOse:  
  MEASurement:TIME:METHod, 2-1031
- [SENSe]:PULSe:ANALyze:IRESpOse:  
  MEASurement:TIME:RLENgtH, 2-1031
- [SENSe]:PULSe:ANALyze:IRESpOse:  
  MEASurement:TIME:RLEVel, 2-1032
- [SENSe]:PULSe:ANALyze:IRESpOse:  
  MEASurement:TIME:STARt, 2-1032
- [SENSe]:PULSe:ANALyze:LEVel, 2-1033
- [SENSe]:PULSe:ANALyze:LEVel:FIFTy, 2-1033
- [SENSe]:PULSe:ANALyze:LEVel:HUNDred, 2-1034
- [SENSe]:PULSe:ANALyze:OVERshoot:  
  MEASurement:TIME:ALENgtH, 2-1034
- [SENSe]:PULSe:ANALyze:OVERshoot:  
  MEASurement:TIME:METHod, 2-1035
- [SENSe]:PULSe:ANALyze:OVERshoot:  
  MEASurement:TIME:RLENgtH, 2-1035
- [SENSe]:PULSe:ANALyze:OVERshoot:  
  MEASurement:TIME:RLEVel, 2-1036
- [SENSe]:PULSe:ANALyze:OVERshoot:  
  MEASurement:TIME:STARt, 2-1036
- [SENSe]:PULSe:ANALyze:PMLocation, 2-1037
- [SENSe]:PULSe:ANALyze:POINT:LOCation, 2-1037
- [SENSe]:PULSe:ANALyze:RFAlL, 2-1038
- [SENSe]:PULSe:ANALyze:RIPLe, 2-1038
- [SENSe]:PULSe:CARRier:FREQuency?, 2-1039
- [SENSe]:PULSe:CARRier:OFFSet, 2-1039
- [SENSe]:PULSe:CARRier:SEARch, 2-1040
- [SENSe]:PULSe:DETECT:MEASurement, 2-1040
- [SENSe]:PULSe:DETECT:NUMBER, 2-1041
- [SENSe]:PULSe:DETECT:POWER[:  
  THReshold], 2-1041
- [SENSe]:PULSe:DETECT:TIME[:THReshold], 2-1042
- [SENSe]:PULSe:FILTer:  
  {BANDwidth|BWIDTH}, 2-1042
- [SENSe]:PULSe:FILTer:MEASurement, 2-1043
- [SENSe]:PULSe:FREFerence:AUTO, 2-1044

- [SENSe]:PULSe:FREFeRence:CSLoPe, 2-1044
- [SENSe]:PULSe:FREFeRence:CSLoPe:
  - AUTO, 2-1045
- [SENSe]:PULSe:FREFeRence:OFFSet, 2-1045
- [SENSe]:PULSe:MODulation:TYPE, 2-1046
- [SENSe]:PULSe:SIGNAL:TYPE, 2-1046
- [SENSe]:PULSe:STATistics:HISTogram:
  - ORDinate, 2-1047
- [SENSe]:PULSe:STATistics:HISTogram:
  - POINTs, 2-1047
- [SENSe]:PULSe:STATistics:HISTogram:POINTs:
  - AUTO, 2-1048
- [SENSe]:REANalyze, 2-1048
- [SENSe]:REANalyze:ACQuisition:
  - SETTings?, 2-1049
- [SENSe]:REANalyze:ALL, 2-1049
- [SENSe]:REANalyze:ALL:LOOP, 2-1049
- [SENSe]:REANalyze:CURRent, 2-1050
- [SENSe]:REANalyze:CURRent:
  - ACQuisition?, 2-1050
- [SENSe]:REANalyze:CURRent:FRAME?, 2-1050
- [SENSe]:REANalyze:CURRent:TIMestamp?, 2-1051
- [SENSe]:REANalyze:DELeTe:DATA, 2-1051
- [SENSe]:REANalyze:FIRSt, 2-1051
- [SENSe]:REANalyze:LAST, 2-1051
- [SENSe]:REANalyze:NEXT, 2-1052
- [SENSe]:REANalyze:PAUSe, 2-1052
- [SENSe]:REANalyze:PREVious, 2-1052
- [SENSe]:REANalyze:SELEct:ACQuisition:DATA:
  - TYPE, 2-1053
- [SENSe]:REANalyze:SELEct:ACQuisition:FIRSt:
  - TIMestamp?, 2-1053
- [SENSe]:REANalyze:SELEct:ACQuisition:
  - FIRSt?, 2-1053
- [SENSe]:REANalyze:SELEct:ACQuisition:LAST:
  - TIMestamp?, 2-1054
- [SENSe]:REANalyze:SELEct:ACQuisition:
  - LAST?, 2-1054
- [SENSe]:REANalyze:SELEct:ACQuisition:
  - STARt, 2-1055
- [SENSe]:REANalyze:SELEct:ACQuisition:STARt:
  - TIMestamp?, 2-1055
- [SENSe]:REANalyze:SELEct:ACQuisition:
  - STOP, 2-1055
- [SENSe]:REANalyze:SELEct:ACQuisition:STOP:
  - TIMestamp?, 2-1056
- [SENSe]:REANalyze:SELEct:ALL, 2-1056
- [SENSe]:REANalyze:SELEct:FRAME:FIRSt:
  - TIMestamp?, 2-1057
- [SENSe]:REANalyze:SELEct:FRAME:FIRSt?, 2-1056
- [SENSe]:REANalyze:SELEct:FRAME:LAST:
  - TIMestamp?, 2-1057
- [SENSe]:REANalyze:SELEct:FRAME:
  - LAST?, 2-1057
- [SENSe]:REANalyze:SELEct:FRAME:STARt, 2-1058
- [SENSe]:REANalyze:SELEct:FRAME:STARt:
  - TIMestamp?, 2-1058
- [SENSe]:REANalyze:SELEct:FRAME:STOP, 2-1058
- [SENSe]:REANalyze:SELEct:FRAME:STOP:
  - TIMestamp?, 2-1059
- [SENSe]:REANalyze:SELEct:SPECTra:ACQuisition:
  - ALL, 2-1059
- [SENSe]:REANalyze:SELEct:SPECTra:ACQuisition:
  - CURRent:ACQuisition?, 2-1059
- [SENSe]:REANalyze:SELEct:SPECTra:ACQuisition:
  - CURRent:TIMestamp?, 2-1060
- [SENSe]:REANalyze:SELEct:SPECTra:ACQuisition:
  - FIRSt:TIMestamp?, 2-1061
- [SENSe]:REANalyze:SELEct:SPECTra:ACQuisition:
  - FIRSt?, 2-1060
- [SENSe]:REANalyze:SELEct:SPECTra:ACQuisition:
  - LAST:TIMestamp?, 2-1062
- [SENSe]:REANalyze:SELEct:SPECTra:ACQuisition:
  - LAST?, 2-1061
- [SENSe]:REANalyze:SELEct:SPECTra:ACQuisition:
  - STARt, 2-1062
- [SENSe]:REANalyze:SELEct:SPECTra:ACQuisition:
  - STARt:TIMestamp?, 2-1063
- [SENSe]:REANalyze:SELEct:SPECTra:ACQuisition:
  - STOP, 2-1063
- [SENSe]:REANalyze:SELEct:SPECTra:ACQuisition:
  - STOP:TIMestamp?, 2-1064
- [SENSe]:REANalyze:SPEEd, 2-1064
- [SENSe]:REANalyze:STOP, 2-1065
- [SENSe]:REANalyze:TIMestamp:DECimal, 2-1065
- [SENSe]:ROSCillator:SOURce, 2-1065
- [SENSe]:SEM: {BANDwidth|BWIDTH} :
  - VIDeo, 2-1067
- [SENSe]:SEM: {BANDwidth|BWIDTH}[:
  - RESolution], 2-1066
- [SENSe]:SEM:CHANnel:FILTer, 2-1067
- [SENSe]:SEM:CHANnel:IBANDwidth, 2-1068
- [SENSe]:SEM:CHANnel:WIDTh, 2-1068
- [SENSe]:SEM:CHIPrate, 2-1069

- [SENSe]:SEM:CLear:RESults, 2-1069
- [SENSe]:SEM:FREQuency, 2-1070
- [SENSe]:SEM:FREQuency:SPAN?, 2-1070
- [SENSe]:SEM:MFILter, 2-1071
- [SENSe]:SEM:MTYPE, 2-1072
- [SENSe]:SEM:OFFSet:DETection, 2-1072
- [SENSe]:SEM:OFFSet<x>:BANDwidth:  
FILTer?, 2-1073
- [SENSe]:SEM:OFFSet<x>:BANDwidth:RESolution:  
COUNt, 2-1074
- [SENSe]:SEM:OFFSet<x>:BANDwidth:  
VIDeo, 2-1074
- [SENSe]:SEM:OFFSet<x>:BANDwidth:VIDeo:  
STATe, 2-1075
- [SENSe]:SEM:OFFSet<x>:BANDwidth[:  
RESolution], 2-1073
- [SENSe]:SEM:OFFSet<x>:FREQuency:  
START, 2-1075
- [SENSe]:SEM:OFFSet<x>:FREQuency:  
STOP, 2-1076
- [SENSe]:SEM:OFFSet<x>:LIMIT:ABSolute:  
SAME, 2-1076
- [SENSe]:SEM:OFFSet<x>:LIMIT:ABSolute:  
START, 2-1077
- [SENSe]:SEM:OFFSet<x>:LIMIT:ABSolute:  
STOP, 2-1077
- [SENSe]:SEM:OFFSet<x>:LIMIT:MASK, 2-1078
- [SENSe]:SEM:OFFSet<x>:LIMIT:RELative:  
SAME, 2-1078
- [SENSe]:SEM:OFFSet<x>:LIMIT:RELative:  
START, 2-1079
- [SENSe]:SEM:OFFSet<x>:LIMIT:RELative:  
STOP, 2-1079
- [SENSe]:SEM:OFFSet<x>:LIMIT:SIDE, 2-1080
- [SENSe]:SEM:OFFSet<x>:STATe, 2-1080
- [SENSe]:SEM:POINts:COUNt, 2-1081
- [SENSe]:SEM:PRESet, 2-1081
- [SENSe]:SEM:REFerence:AUTO, 2-1082
- [SENSe]:SEM:REFerence:DETection, 2-1082
- [SENSe]:SEM:REFerence[:MAGNitude], 2-1083
- [SENSe]:SEM:RRCRolloff, 2-1083
- [SENSe]:SEM:STEP:AUTO, 2-1084
- [SENSe]:SEM:STEP[:MAGNitude], 2-1084
- [SENSe]:SEM:WIDTh:DEFinition, 2-1085
- [SENSe]:SGRam: {BANDwidth|BWIDth}:  
RESolution, 2-1085
- [SENSe]:SGRam: {BANDwidth|BWIDth}:  
VIDeo, 2-1087
- [SENSe]:SGRam: {BANDwidth|BWIDth}:VIDeo:  
STATe, 2-1088
- [SENSe]:SGRam: {BANDwidth|BWIDth}[:  
RESolution]:ACTual?, 2-1086
- [SENSe]:SGRam: {BANDwidth|BWIDth}[:  
RESolution]:AUTO, 2-1086
- [SENSe]:SGRam: {BANDwidth|BWIDth}[:  
RESolution]:MODE, 2-1087
- [SENSe]:SGRam:COLor, 2-1088
- [SENSe]:SGRam:COLor:MAXimum, 2-1089
- [SENSe]:SGRam:COLor:MINimum, 2-1089
- [SENSe]:SGRam:FFT:WINDow, 2-1090
- [SENSe]:SGRam:FILTer[:SHAPE], 2-1091
- [SENSe]:SGRam:FREQuency:CENTer, 2-1091
- [SENSe]:SGRam:FREQuency:SPAN, 2-1092
- [SENSe]:SGRam:FREQuency:SPAN:BANDwidth[:  
RESolution]:RATio, 2-1092
- [SENSe]:SGRam:FREQuency:SPAN:  
MAXimum, 2-1093
- [SENSe]:SGRam:FREQuency:START, 2-1093
- [SENSe]:SGRam:FREQuency:STEP, 2-1094
- [SENSe]:SGRam:FREQuency:STEP:AUTO, 2-1094
- [SENSe]:SGRam:FREQuency:STOP, 2-1095
- [SENSe]:SGRam:TIME[:SCALE]:MODE, 2-1095
- [SENSe]:SGRam:TIME[:SCALE]:OVERlap:  
PERCent, 2-1096
- [SENSe]:SGRam:TIME[:SCALE]:PER:  
DIVision, 2-1096
- [SENSe]:SGRam:TIME[:SCALE]:PER:UPDate:  
MINutes, 2-1097
- [SENSe]:SGRam:TIME[:SCALE]:PER:UPDate:  
SECOnds, 2-1097
- [SENSe]:SGRam:TIME[:SCALE]:SPECTrums:  
PERLine?, 2-1098
- [SENSe]:SGRam:TIME[:SCALE]:START:  
DIVisions, 2-1098
- [SENSe]:SGRam:WATERfall:DIRection, 2-1099
- [SENSe]:SGRam:WATERfall:ENABle, 2-1098
- [SENSe]:SGRam:WATERfall:Y:AUTO, 2-1099
- [SENSe]:SGRam:WATERfall:Y:OFFSet, 2-1100
- [SENSe]:SGRam:WATERfall:Y:RESet, 2-1100
- [SENSe]:SGRam:WATERfall:Y[:SCALE], 2-1101
- [SENSe]:SIGNalpath:PRiority, 2-1066
- [SENSe]:SPECTrum: {BANDwidth|BWIDth}:  
VIDeo, 2-1103



- [SENSe]:SPEctrum: {BANDwidth|BWIDth}:VIDeo: STATE, 2-1104
- [SENSe]:SPEctrum: {BANDwidth|BWIDth}[: RESolution], 2-1101
- [SENSe]:SPEctrum: {BANDwidth|BWIDth}[: RESolution]:ACTual?, 2-1102
- [SENSe]:SPEctrum: {BANDwidth|BWIDth}[: RESolution]:AUTO, 2-1102
- [SENSe]:SPEctrum: {BANDwidth|BWIDth}[: RESolution]:MODE, 2-1103
- [SENSe]:SPEctrum: CLear:RESults, 2-1104
- [SENSe]:SPEctrum: FFT: WINDow, 2-1105
- [SENSe]:SPEctrum: FILTer[: SHAPe], 2-1105
- [SENSe]:SPEctrum: FREQuency: CENTer, 2-1106
- [SENSe]:SPEctrum: FREQuency: SPAN, 2-1107
- [SENSe]:SPEctrum: FREQuency: SPAN: BANDwidth[: RESolution]: RATio, 2-1107
- [SENSe]:SPEctrum: FREQuency: STARt, 2-1108
- [SENSe]:SPEctrum: FREQuency: STEP, 2-1108
- [SENSe]:SPEctrum: FREQuency: STEP: AUTO, 2-1109
- [SENSe]:SPEctrum: FREQuency: STOP, 2-1109
- [SENSe]:SPEctrum: LENGth, 2-1110
- [SENSe]:SPEctrum: LENGth: ACTual?, 2-1110
- [SENSe]:SPEctrum: LENGth: AUTO, 2-1111
- [SENSe]:SPEctrum: MAX: SPAN, 2-1111
- [SENSe]:SPEctrum: POINts: COUNt, 2-1112
- [SENSe]:SPEctrum: STARt, 2-1112
- [SENSe]:SPEctrum: STARt: AUTO, 2-1113
- [SENSe]:SPEctrum: TIME: MODE, 2-1113
- [SENSe]:SPURious: CARRier: {BANDwidth|BWIDth}, 2-1114
- [SENSe]:SPURious: CARRier: {BANDwidth|BWIDth}: INTegration, 2-1114
- [SENSe]:SPURious: CARRier: {BANDwidth|BWIDth}[: RESolution], 2-1115
- [SENSe]:SPURious: CARRier: {BANDwidth|BWIDth}[: RESolution]: AUTO, 2-1116
- [SENSe]:SPURious: CARRier: DETection, 2-1116
- [SENSe]:SPURious: CARRier: FREQuency, 2-1117
- [SENSe]:SPURious: CARRier: THReshold, 2-1117
- [SENSe]:SPURious: CLear: RESults, 2-1118
- [SENSe]:SPURious: LIST, 2-1119
- [SENSe]:SPURious: MODE, 2-1119
- [SENSe]:SPURious: OPTimization, 2-1120
- [SENSe]:SPURious: POINts: COUNt, 2-1120
- [SENSe]:SPURious: RANGe<x>: BANDwidth: VIDeo, 2-1121
- [SENSe]:SPURious: RANGe<x>: BANDwidth: VIDeo: STATE, 2-1121
- [SENSe]:SPURious: RANGe<x>: DETection, 2-1122
- [SENSe]:SPURious: RANGe<x>: EXCursion, 2-1123
- [SENSe]:SPURious: RANGe<x>: FILTer[: SHAPe], 2-1123
- [SENSe]:SPURious: RANGe<x>: FILTer[: SHAPe]: BANDwidth, 2-1124
- [SENSe]:SPURious: RANGe<x>: FILTer[: SHAPe]: BANDwidth: AUTO, 2-1124
- [SENSe]:SPURious: RANGe<x>: FREQuency: STARt, 2-1125
- [SENSe]:SPURious: RANGe<x>: FREQuency: STOP, 2-1126
- [SENSe]:SPURious: RANGe<x>: LIMit: ABSolute: STARt, 2-1126
- [SENSe]:SPURious: RANGe<x>: LIMit: ABSolute: STOP, 2-1127
- [SENSe]:SPURious: RANGe<x>: LIMit: MASK, 2-1127
- [SENSe]:SPURious: RANGe<x>: LIMit: RELative: STARt, 2-1128
- [SENSe]:SPURious: RANGe<x>: LIMit: RELative: STOP, 2-1129
- [SENSe]:SPURious: RANGe<x>: STATE, 2-1129
- [SENSe]:SPURious: RANGe<x>: THReshold, 2-1130
- [SENSe]:SPURious: REFerence, 2-1131
- [SENSe]:SPURious: REFerence: MANual: POWer, 2-1131
- [SENSe]:SPURious[: FREQuency]: OVerlap?, 2-1118
- [SENSe]:SQUality: EVM: ALL[: STATE], 2-1132
- [SENSe]:TOVerview: FREQuency: CENTer, 2-1132
- [SENSe]:TOVerview: MAXTracepoints, 2-1132
- [SENSe]:USETtings, 2-1133
- \*SRE, 2-1133
- STATus: {AM|FM|PM}: EVENts?, 2-1135
- STATus: {FSETtling|PSETtling}: EVENts?, 2-1142
- STATus: ACPower: EVENts?, 2-1134
- STATus: AUDio: SPEctrum: EVENts?, 2-1135
- STATus: AUDio: SUMMary: EVENts?, 2-1136
- STATus: AVTime: EVENts?, 2-1137
- STATus: CCDF: EVENts?, 2-1138
- STATus: CONSt: EVENts?, 2-1138
- STATus: DIQVtime: EVENts?, 2-1139
- STATus: DPX: EVENts?, 2-1139

- STATus:EDIagram:EVENTs?, 2-1140
  - STATus:EVM:EVENTs?, 2-1141
  - STATus:FDVTime:EVENTs?, 2-1141
  - STATus:FVTime:EVENTs?, 2-1143
  - STATus:IQVTime:EVENTs?, 2-1143
  - STATus:MCPower:EVENTs?, 2-1144
  - STATus:MERRor:EVENTs?, 2-1145
  - STATus:OBWidth:EVENTs?, 2-1145
  - STATus:OFDM:CONStE:EVENTs?, 2-1146
  - STATus:OFDM:EVM:EVENTs?, 2-1147
  - STATus:OFDM:MERRor:EVENTs?, 2-1147
  - STATus:OFDM:PERRor:EVENTs?, 2-1148
  - STATus:OFDM:POWer:EVENTs?, 2-1149
  - STATus:OFDM:STABle:EVENTs?, 2-1149
  - STATus:OPERation:CONDition?, 2-1150
  - STATus:OPERation:ENABle, 2-1151
  - STATus:OPERation:NTRansition, 2-1152
  - STATus:OPERation:PTRansition, 2-1152
  - STATus:OPERation[:EVENT]?, 2-1151
  - STATus:PERRor:EVENTs?, 2-1153
  - STATus:PHVTime:EVENTs?, 2-1153
  - STATus:PNOise:EVENTs?, 2-1154
  - STATus:PRESet, 2-1155
  - STATus:PULSe:RESult:EVENTs?, 2-1155
  - STATus:PULSe:STATistics:EVENTs?, 2-1156
  - STATus:PULSe:TRACe:EVENTs?, 2-1156
  - STATus:QUEStionable:CALibration:
    - CONDition?, 2-1157
  - STATus:QUEStionable:CALibration:ENABle, 2-1158
  - STATus:QUEStionable:CALibration:
    - NTRansition, 2-1159
  - STATus:QUEStionable:CALibration:
    - PTRansition, 2-1159
  - STATus:QUEStionable:CALibration[:EVENT]?, 2-1158
  - STATus:QUEStionable:CONDition?, 2-1160
  - STATus:QUEStionable:ENABle, 2-1160
  - STATus:QUEStionable:FREQuency:
    - CONDition?, 2-1162
  - STATus:QUEStionable:FREQuency:ENABle, 2-1162
  - STATus:QUEStionable:FREQuency:
    - NTRansition, 2-1163
  - STATus:QUEStionable:FREQuency:
    - PTRansition, 2-1164
  - STATus:QUEStionable:FREQuency[:EVENT]?, 2-1163
  - STATus:QUEStionable:NTRansition, 2-1164
  - STATus:QUEStionable:PTRansition, 2-1165
  - STATus:QUEStionable[:EVENT]?, 2-1161
  - STATus:SEM:EVENTs?, 2-1166
  - STATus:SGRAM:EVENTs?, 2-1166
  - STATus:SPECtrum:EVENTs?, 2-1167
  - STATus:SPURious:EVENTs?, 2-1167
  - STATus:SQUality:EVENTs?, 2-1168
  - STATus:TDIagram:EVENTs?, 2-1169
  - \*STB?, 2-1169
  - SYStem:COMMunicate:GPIB[:SELf]:
    - ADDReSS, 2-1170
  - SYStem:DATE, 2-1170
  - SYStem:ERRor:ALL?, 2-1171
  - SYStem:ERRor:CODE:ALL?, 2-1172
  - SYStem:ERRor:CODE[:NEXT]?, 2-1172
  - SYStem:ERRor:COUNt?, 2-1173
  - SYStem:ERRor[:NEXT]?, 2-1173
  - SYStem:KLOCK, 2-1174
  - SYStem:OPTions?, 2-1174
  - SYStem:PRESet, 2-1175
  - SYStem:PRESet:APPLication, 2-1177
  - SYStem:PRESet:APPLication:ACTion, 2-1177
  - SYStem:PRESet:APPLication:SELected, 2-1178
  - SYStem:PRESet:DPX, 2-1178
  - SYStem:PRESet:DPX:ACTion, 2-1179
  - SYStem:PRESet:DPX:SELected, 2-1179
  - SYStem:PRESet:MAIN, 2-1175
  - SYStem:PRESet:MAIN:ACTion, 2-1176
  - SYStem:PRESet:MAIN:SELected, 2-1176
  - SYStem:PRESet:USER, 2-1180
  - SYStem:PRESet:USER:ACTion, 2-1180
  - SYStem:PRESet:USER:SELected, 2-1181
  - SYStem:TIME, 2-1181
  - SYStem:VERSIon?, 2-1182
- T**
- TRACe: {AM|FM|PM}, 2-1182
  - TRACe: {AM|FM|PM}:DETEction, 2-1183
  - TRACe: {AM|FM|PM}:FREeze, 2-1183
  - TRACe: {AM|FM|PM}:FUNction, 2-1184
  - TRACe: {FSETtling|PSETtling}:AVERAge:
    - COUNt, 2-1247
  - TRACe: {FSETtling|PSETtling}:AVERAge:COUNt:
    - CURRent?, 2-1247
  - TRACe: {FSETtling|PSETtling}:AVERAge:
    - ENABle, 2-1248
  - TRACe: {FSETtling|PSETtling}:RESet, 2-1249

- TRACe: {FSETtling|PSETtling}:SMOothing:  
COUNT, 2-1246
- TRACe: {FSETtling|PSETtling}:SMOothing:  
ENABle, 2-1246
- TRACe:CONStE:MODE, 2-1184
- TRACe:DIQVtime:ENABle:I, 2-1185
- TRACe:DIQVtime:ENABle:Q, 2-1185
- TRACe:DIQVtime:MODE, 2-1189
- TRACe:DIQVtime:SELEct:I, 2-1186
- TRACe:DIQVtime:SELEct:Q, 2-1186
- TRACe:EDIagram:ENABle:I, 2-1187
- TRACe:EDIagram:ENABle:Q, 2-1187
- TRACe:EDIagram:SELEct:I, 2-1188
- TRACe:EDIagram:SELEct:Q, 2-1188
- TRACe:EVM:MODE, 2-1189
- TRACe:FDVTime:MODE, 2-1190
- TRACe:FVTime, 2-1190
- TRACe:FVTime:AVERAge:COUNT, 2-1191
- TRACe:FVTime:COUNT, 2-1191
- TRACe:FVTime:COUNT:ENABle, 2-1192
- TRACe:FVTime:COUNT:RESEt, 2-1192
- TRACe:FVTime:FREeze, 2-1193
- TRACe:FVTime:FUNcTION, 2-1194
- TRACe:IQVTime:AVERAge:COUNT, 2-1194
- TRACe:IQVTime:COUNT, 2-1195
- TRACe:IQVTime:COUNT:ENABle, 2-1195
- TRACe:IQVTime:COUNT:RESEt, 2-1196
- TRACe:IQVTime:DETEction, 2-1196
- TRACe:IQVTime:ENABle:I, 2-1197
- TRACe:IQVTime:ENABle:Q, 2-1197
- TRACe:IQVTime:FREeze, 2-1198
- TRACe:IQVTime:FUNcTION, 2-1198
- TRACe:IQVTime:SELEct:I, 2-1199
- TRACe:IQVTime:SELEct:Q, 2-1199
- TRACe:MERRor:MODE, 2-1200
- TRACe:OBW:MAXHold, 2-1200
- TRACe:OFDM:CONStE, 2-1201
- TRACe:OFDM:CONStE:FREeze, 2-1201
- TRACe:PERRor:MODE, 2-1202
- TRACe:PHVTime, 2-1203
- TRACe:PHVTime:AVERAge:COUNT, 2-1203
- TRACe:PHVTime:COUNT, 2-1204
- TRACe:PHVTime:COUNT:ENABle, 2-1204
- TRACe:PHVTime:COUNT:RESEt, 2-1205
- TRACe:PHVTime:FREeze, 2-1205
- TRACe:PHVTime:FUNcTION, 2-1206
- TRACe:SEM:COUNT, 2-1206
- TRACe:SEM:COUNT:RESEt, 2-1207
- TRACe:SEM:FUNcTION, 2-1207
- TRACe:SGRam:DETEction, 2-1208
- TRACe:SGRam:FREeze, 2-1209
- TRACe:SGRam:FUNcTION, 2-1209
- TRACe:SGRam:FUNcTION:TIME, 2-1210
- TRACe:SGRam:SELEct:LINE, 2-1211
- TRACe:SPURious:COUNT, 2-1211
- TRACe:SPURious:COUNT:ENABle, 2-1212
- TRACe:SPURious:COUNT:RESEt, 2-1212
- TRACe:SPURious:FREeze, 2-1213
- TRACe:SPURious:FUNcTION, 2-1213
- TRACe<x>: {FSETtling|PSETtling}:FREeze, 2-1248
- TRACe<x>: {FSETtling|PSETtling}:SELEct, 2-1249
- TRACe<x>: {FSETtling|PSETtling}:SHOW, 2-1250
- TRACe<x>:AVTime, 2-1217
- TRACe<x>:AVTime:AVERAge:COUNT, 2-1218
- TRACe<x>:AVTime:AVERAge:RESEt, 2-1218
- TRACe<x>:AVTime:COUNT, 2-1219
- TRACe<x>:AVTime:COUNT:ENABle, 2-1220
- TRACe<x>:AVTime:COUNT:RESEt, 2-1220
- TRACe<x>:AVTime:DETEction, 2-1221
- TRACe<x>:AVTime:FREeze, 2-1221
- TRACe<x>:AVTime:FUNcTION, 2-1222
- TRACe<x>:AVTime:LEFToperand, 2-1222
- TRACe<x>:AVTime:RIGHToperand, 2-1223
- TRACe<x>:AVTime:SELEct, 2-1224
- TRACe<x>:CCDF:FREeze, 2-1224
- TRACe<x>:CCDF:SELEct, 2-1225
- TRACe<x>:CCDF:SHOW, 2-1225
- TRACe<x>:CCDF:X, 2-1226
- TRACe<x>:CCDF:Y?, 2-1227
- TRACe<x>:DPX, 2-1227
- TRACe<x>:DPX:AVERAge:COUNT, 2-1228
- TRACe<x>:DPX:COLor:CURVe, 2-1228
- TRACe<x>:DPX:COLor:INTensity, 2-1229
- TRACe<x>:DPX:COLor:SCALE:AUTo, 2-1229
- TRACe<x>:DPX:DETEction, 2-1230
- TRACe<x>:DPX:DGRAM:SELEct:LINE, 2-1230
- TRACe<x>:DPX:DOT:PERStistent, 2-1231
- TRACe<x>:DPX:DOT:PERStistent:TYPE, 2-1231
- TRACe<x>:DPX:DOT:PERStistent:VARiABle, 2-1232
- TRACe<x>:DPX:FREeze, 2-1233
- TRACe<x>:DPX:FUNcTION, 2-1233
- TRACe<x>:DPX:LEFToperand, 2-1234
- TRACe<x>:DPX:RIGHToperand, 2-1234
- TRACe<x>:DPX:SELEct, 2-1235

- TRACe<x>:FVTime:DETECTION, 2-1236  
 TRACe<x>:OFDM:EVM, 2-1236  
 TRACe<x>:OFDM:EVM:FREeze, 2-1237  
 TRACe<x>:OFDM:EVM:SElect, 2-1237  
 TRACe<x>:OFDM:MERRor, 2-1238  
 TRACe<x>:OFDM:MERRor:FREeze, 2-1238  
 TRACe<x>:OFDM:MERRor:SElect, 2-1239  
 TRACe<x>:OFDM:PERRor, 2-1239  
 TRACe<x>:OFDM:PERRor:FREeze, 2-1240  
 TRACe<x>:OFDM:PERRor:SElect, 2-1240  
 TRACe<x>:OFDM:POWer, 2-1241  
 TRACe<x>:OFDM:POWer:FREeze, 2-1242  
 TRACe<x>:OFDM:POWer:SElect, 2-1242  
 TRACe<x>:PHVTime:DETECTION, 2-1243  
 TRACe<x>:PNOise:SElect, 2-1243  
 TRACe<x>:PNOise:SHOW, 2-1244  
 TRACe<x>:PNOise:SMOothing:COUNT, 2-1244  
 TRACe<x>:PNOise:SMOothing:ENABLE, 2-1245  
 TRACe<x>:PNOise:SMOothing:RESet, 2-1245  
 TRACe<x>:SPECTrum, 2-1250  
 TRACe<x>:SPECTrum:AVERAge:COUNT, 2-1251  
 TRACe<x>:SPECTrum:AVERAge:RESet, 2-1251  
 TRACe<x>:SPECTrum:COUNT, 2-1252  
 TRACe<x>:SPECTrum:COUNT:ENABLE, 2-1252  
 TRACe<x>:SPECTrum:COUNT:RESet, 2-1253  
 TRACe<x>:SPECTrum:DETECTION, 2-1253  
 TRACe<x>:SPECTrum:FREeze, 2-1254  
 TRACe<x>:SPECTrum:FUNCTion, 2-1255  
 TRACe<x>:SPECTrum:LEFToperand, 2-1255  
 TRACe<x>:SPECTrum:RIGHToperand, 2-1256  
 TRACe<x>:SPECTrum:SElect, 2-1256  
 TRACel:TOVerview, 2-1214  
 TRACel:TOVerview:AVERAge:COUNT, 2-1214  
 TRACel:TOVerview:COUNT, 2-1215  
 TRACel:TOVerview:COUNT:ENABLE, 2-1215  
 TRACel:TOVerview:COUNT:RESet, 2-1215  
 TRACel:TOVerview:DETECTION, 2-1216  
 TRACel:TOVerview:FREeze, 2-1216  
 TRACel:TOVerview:FUNCTion, 2-1217  
 \*TRG, 2-1257  
 TRIGger:DPX:SHOW:FRAMES, 2-1258  
 TRIGger:DPX:TDM:SHOW:ALL, 2-1279  
 TRIGger:MASK:NEW, 2-1258  
 TRIGger:MASK:NEW:AUTO, 2-1259  
 TRIGger:MASK:OPEN, 2-1260  
 TRIGger:MASK:SAVE, 2-1261  
 TRIGger[:SEQUence]:ADVanced:HOLDoff:ENABLE, 2-1262  
 TRIGger[:SEQUence]:ADVanced:SWEEP:MODE, 2-1262  
 TRIGger[:SEQUence]:ADVanced:SWEEP:SEGMENT:ENABLE, 2-1263  
 TRIGger[:SEQUence]:EVENT:EXTFront:IMPedance, 2-1263  
 TRIGger[:SEQUence]:EVENT:EXTFront:LEVel, 2-1264  
 TRIGger[:SEQUence]:EVENT:EXTFront:SLOPe, 2-1264  
 TRIGger[:SEQUence]:EVENT:EXTRear:SLOPe, 2-1265  
 TRIGger[:SEQUence]:EVENT:GATED, 2-1265  
 TRIGger[:SEQUence]:EVENT:INPut:DDENsity:AMPLitude, 2-1266  
 TRIGger[:SEQUence]:EVENT:INPut:DDENsity:AMPLitude:TOLerance, 2-1266  
 TRIGger[:SEQUence]:EVENT:INPut:DDENsity:FREQuency, 2-1267  
 TRIGger[:SEQUence]:EVENT:INPut:DDENsity:FREQuency:TOLerance, 2-1267  
 TRIGger[:SEQUence]:EVENT:INPut:DDENsity:THReshold, 2-1268  
 TRIGger[:SEQUence]:EVENT:INPut:DDENsity:VIOLation, 2-1269  
 TRIGger[:SEQUence]:EVENT:INPut:FEDGE:LEVel, 2-1277  
 TRIGger[:SEQUence]:EVENT:INPut:FEDGE:LEVel:ACTual?, 2-1277  
 TRIGger[:SEQUence]:EVENT:INPut:FEDGE:SLOPe, 2-1276  
 TRIGger[:SEQUence]:EVENT:INPut:FEDGE:THReshold:LEVel, 2-1278  
 TRIGger[:SEQUence]:EVENT:INPut:FEDGE:THReshold:STATe, 2-1278  
 TRIGger[:SEQUence]:EVENT:INPut:FMASK:{BANDwidth|BWIDth}{:RESolution}, 2-1269  
 TRIGger[:SEQUence]:EVENT:INPut:FMASK:BANDwidth|BWIDth[:RESolution]:ACTual?, 2-1270  
 TRIGger[:SEQUence]:EVENT:INPut:FMASK:BANDwidth|BWIDth[:RESolution]:AUTO, 2-1270  
 TRIGger[:SEQUence]:EVENT:INPut:FMASK:VIOLation, 2-1271

TRIGger[:SEQuence]:EVENT:INPut:LEVel, 2-1272  
TRIGger[:SEQuence]:EVENT:INPut:RUNT:  
PULSe, 2-1272  
TRIGger[:SEQuence]:EVENT:INPut:RUNT:PULSe:  
HIGH:LEVel, 2-1273  
TRIGger[:SEQuence]:EVENT:INPut:RUNT:PULSe:  
LOW:LEVel, 2-1273  
TRIGger[:SEQuence]:EVENT:INPut:SLOPe, 2-1274  
TRIGger[:SEQuence]:EVENT:INPut:  
TDBWidth, 2-1274  
TRIGger[:SEQuence]:EVENT:INPut:TDBWidth:  
ACTual?, 2-1275  
TRIGger[:SEQuence]:EVENT:INPut:TDBWidth:  
STATe, 2-1275  
TRIGger[:SEQuence]:EVENT:INPut:TYPE, 2-1276  
TRIGger[:SEQuence]:EVENT:SOURce, 2-1279

TRIGger[:SEQuence]:FORCed, 2-1280  
TRIGger[:SEQuence]:IMMediate, 2-1280  
TRIGger[:SEQuence]:STATus, 2-1281  
TRIGger[:SEQuence]:TIME:DELay, 2-1281  
TRIGger[:SEQuence]:TIME:POSition, 2-1282  
TRIGger[:SeQuence]:TIME:POSition:AUTO, 2-1282  
TRIGger[:SEQuence]:TIME:QUALified, 2-1283  
TRIGger[:SEQuence]:TIME:QUALified:  
TIME<x>, 2-1283

## U

UNIT:POWer, 2-1284

## W

\*WAI, 2-1285