

**MDO4000, MSO4000B and DPO4000B
Series Oscilloscopes
Programmer Manual**



077-0510-03

Tektronix

**MDO4000, MSO4000B and DPO4000B
Series Oscilloscopes
Programmer Manual**

Revision B

www.tektronix.com

077-0510-03

Tektronix

Copyright © Tektronix. All rights reserved. Licensed software products are owned by Tektronix or its subsidiaries or suppliers, and are protected by national copyright laws and international treaty provisions.

Tektronix products are covered by U.S. and foreign patents, issued and pending. Information in this publication supersedes that in all previously published material. Specifications and price change privileges reserved.

TEKTRONIX and TEK are registered trademarks of Tektronix, Inc.

Contacting Tektronix

Tektronix, Inc.
14150 SW Karl Braun Drive
P.O. Box 500
Beaverton, OR 97077
USA

For product information, sales, service, and technical support:

- In North America, call 1-800-833-9200.
- Worldwide, visit www.tektronix.com to find contacts in your area.

Table of Contents

Getting Started

Getting Started	1-1
Instrument Functionality Updates that Impact the Programmatic Command Set	1-2
Setting Up Remote Communications Hardware	1-5
Ethernet	1-5
USB.....	1-6
GPIB.....	1-7
Setting Up Remote Communications Software	1-9
Using VISA.....	1-9
Using the LXI Web Page and e*Scope	1-11
Using a Socket Server	1-11
Documentation	1-13

Syntax and Commands

Command Syntax.....	2-1
Command and Query Structure	2-1
Clearing the oscilloscope	2-3
Command Entry.....	2-3
Constructed Mnemonics	2-5
Argument Types.....	2-7
Command Groups	2-11
Acquisition Command Group	2-11
Alias Command Group.....	2-11
Bus Command Group	2-12
Calibration and Diagnostic Command Group	2-16
Configuration Command Group.....	2-17
Cursor Command Group	2-19
Display Command Group.....	2-21
Ethernet Command Group	2-22
File System Command Group	2-23
Hard Copy Command Group	2-24
Histogram Command Group	2-24
Horizontal Command Group	2-25
Mark Command Group.....	2-25
Mask Command Group	2-26
Math Command Group.....	2-30
Measurement Command Group.....	2-31

Miscellaneous Command Group	2-33
PictBridge Command Group	2-35
Power Command Group	2-36
RF Command Group	2-42
Save and Recall Command Group	2-53
Search Command Group	2-55
Status and Error Command Group	2-68
Trigger Command Group	2-69
Vertical Command Group	2-83
Waveform Transfer Command Group	2-85
Zoom Command Group	2-100
Commands Listed in Alphabetical Order	2-101

Status and Events

Status and Events	3-1
Registers	3-1
Queues	3-4
Event Handling Sequence	3-5
Synchronization Methods	3-7

Appendices

Appendix A: Character Set	A-1
Appendix B: Reserved Words	B-1
Appendix C: Factory Defaults	C-1
Default Setup	C-1
Appendix D: Waveform Transfer (WFMOutpre and CURVe Query) Examples	D-1
Example 1: Analog Waveform (Channels 1–4)	D-1
Example 2: Digital Waveform (Channels DO-D15)	D-3
Example 3: The Digital Collection with 4 Bytes Per Point and MagniVu Off	D-5
Example 4: The Digital Collection with 8 Bytes Per Point and MagniVu Off	D-7
Example 5: The Digital Collection with 4 Bytes Per Point and MagniVu On	D-10
Example 6: The Digital Collection with 8 Bytes Per Point and MagniVu On	D-12
Example 7: RF Frequency Domain Waveform	D-14
Appendix E: Mask/Limit Command Sequence Examples	E-1
Example 1: Creating custom masks	E-1
Example 2: Modifying an existing mask	E-2
Example 3: Creating a limit (template) mask	E-3
Appendix F: Search and Trigger Command Sequence Examples	F-1
Example 1: Single Threshold Edge Search	F-1
Example 2: Single Threshold Edge Trigger	F-2

Example 3: Dual Threshold Runt Search	F-2
Example 4: Single Threshold Logic Search on Three Waveforms.....	F-3
Appendix G: Application Module-enabled Commands	G-1

List of Figures

Figure 3-1: The Standard Event Status Register (SESR)	3-1
Figure 3-2: The Status Byte Register (SBR)	3-2
Figure 3-3: The Device Event Status Enable Register (DESER)	3-3
Figure 3-4: The Event Status Enable Register (ESER)	3-3
Figure 3-5: The Service Request Enable Register (SRER)	3-4
Figure 3-6: Status and Event Handling Process.....	3-6
Figure 3-7: Command Processing Without Using Synchronization	3-9
Figure 3-8: Processing Sequence With Synchronization.....	3-9

List of Tables

Table 1-1: Updates to the MDO4000, MSO4000B and DPO4000B Series Oscilloscopes.....	1-2
Table 1-2: Features unique to the MDO4000 Series Oscilloscopes.....	1-3
Table 1-3: USB Device Parameters	1-7
Table 2-1: Symbols for Backus-Naur Form	2-1
Table 2-2: Command Message Elements	2-2
Table 2-3: Comparison of Header Off and Header On Responses	2-3
Table 2-4: End of Message Terminator	2-5
Table 2-5: Channel Mnemonics.....	2-6
Table 2-6: Cursor Mnemonics	2-6
Table 2-7: Math Specifier Mnemonics	2-6
Table 2-8: Measurement Specifier Mnemonics	2-6
Table 2-9: Reference Waveform Mnemonics	2-6
Table 2-10: Numeric Arguments.....	2-7
Table 2-11: Quoted String Argument	2-7
Table 2-12: Block Argument.....	2-8
Table 2-13: Acquisition Commands.....	2-11
Table 2-14: Alias Commands	2-12
Table 2-15: Bus Commands.....	2-13
Table 2-16: Calibration and Diagnostic Commands.....	2-16
Table 2-17: Configuration Commands	2-17
Table 2-18: Cursor Commands	2-20
Table 2-19: Display Commands	2-21
Table 2-20: Ethernet Commands	2-22
Table 2-21: File System Commands	2-23
Table 2-22: Hard Copy Commands	2-24
Table 2-23: Histogram Commands	2-24
Table 2-24: Horizontal Commands.....	2-25
Table 2-25: Mark Commands	2-26
Table 2-26: Mask commands.....	2-27
Table 2-27: Math Commands	2-30
Table 2-28: Measurement Commands	2-31
Table 2-29: Miscellaneous Commands	2-33
Table 2-30: PictBridge Commands.....	2-35
Table 2-31: Power Commands.....	2-36
Table 2-32: RF Commands.....	2-46
Table 2-33: Save and Recall Commands	2-54
Table 2-34: Status and Error Commands	2-68
Table 2-35: Trigger Commands.....	2-73

Table 2-36: Vertical Commands	2-83
Table 2-37: Example Command Sequence for Transferring Waveform Data From Oscilloscope to Computer	2-87
Table 2-38: Example Command Sequence for Transferring Waveform Data From Computer to Oscilloscope	2-90
Table 2-39: Digital Collection: 4 Byte Data.....	2-93
Table 2-40: Digital Collection: 8 Byte Data.....	2-94
Table 2-41: Waveform Transfer Commands.....	2-95
Table 2-42: Zoom Commands	2-100
Table 2-43: Supported display formats.....	2-129
Table 2-44: Channel Offset Range	2-174
Table 2-45: DATA and WFMOupre Parameter Settings	2-221
Table 2-46: FPAnel:PRESS arguments	2-262
Table 2-47: FPAnel:TURN arguments	2-264
Table 2-48: Math expression elements.....	2-338
Table 2-49: Available HDTV formats.....	2-802
Table 2-50: Waveform Suffixes.....	2-843
Table 3-1: SESR Bit Functions	3-2
Table 3-2: SBR Bit Functions.....	3-2
Table 3-3: Oscilloscope operations that can generate OPC.....	3-8
Table 3-4: No Event Messages.....	3-13
Table 3-5: Command Error Messages (CME Bit 5)	3-13
Table 3-6: Execution Error Messages (EXE Bit 4)	3-14
Table 3-7: Device Error Messages (DDE Bit 3)	3-17
Table 3-8: System Event Messages.....	3-17
Table 3-9: Execution Warning Messages (EXE Bit 4)	3-17
Table 3-10: Execution Warning Messages (EXE Bit 4).....	3-18
Table 3-11: Internal Warning Messages.....	3-18
Table C-1: Default Values	C-1

Getting Started

Getting Started

This manual explains the use of commands for remotely controlling your oscilloscope. With this information, you can write computer programs to perform functions, such as setting the front-panel controls, taking measurements, performing statistical calculations, and exporting data for use in other programs.

Familiarity with the User Manual for your oscilloscope is assumed. You can download the User Manual from the Tektronix website at www.tektronix.com.

NOTE. Most examples in this document assume that both *HEADer|:HDR* and *VERBoSe* are set to ON.

New in the Programmer Manual

The following major changes were made to this version of the programmer manual (077-0510-03):

Added 4 new models:

- MDO4034-3: 350 MHz bandwidth, 2.5 GS/s sample rate, 3 GHz RF frequency
- MDO4014-3: 100 MHz bandwidth, 2.5 GS/s sample rate, 3 GHz RF frequency
- MSO4014B: 100 MHz bandwidth, 2.5 GS/s sample rate
- DPO4014B: 100 MHz bandwidth, 2.5 GS/s sample rate

Added new commands:

SEARCH:SEARCH<x>:TRIGger:A:LEVel:CH<x> Sets the threshold level to use when searching on an analog waveform.

SEARCH:SEARCH<x>:TRIGger:A:LEVel:MATH Sets the threshold level to use when searching on the math waveform.

SEARCH:SEARCH<x>:TRIGger:A:LEVel:REF<x> Sets the threshold level to use when searching on a reference waveform.

SEARCH:SEARCH<x>:TRIGger:A:LEVel:RF_AMPlitude Sets the threshold level to use when searching on the RF Amplitude vs. Time trace.

SEARCH:SEARCH<x>:TRIGger:A:LEVel:RF_FREQuency Sets the threshold level to use when searching on the RF Frequency vs. Time trace.

SEARCH:SEARCH<x>:TRIGger:A:LEVel:RF_PHASe Sets the threshold level to use when searching on the RF Phase vs. Time trace.

SEARCH:SEARCH<x>:TRIGger:A:LOGic:INPut:CH<x> Specifies the logic condition to be used in a logic search when the input is an analog channel.

TRIGger:A:LEVel:AUXin Sets the threshold voltage level for an Edge, Pulse Width, Runt or Rise/Fall (aka Transition, aka Slew Rate) trigger to use when triggering on the auxiliary input waveform.

TRIGger:A:LEVel:CH<x> Sets the threshold voltage level for an Edge, Pulse Width, Runt or Rise/Fall (aka Transition, aka Slew Rate) trigger to use when triggering on an analog channel waveform.

TRIGger:A:LEVel:D<x> Sets the threshold voltage level for an Edge, Pulse Width, Runt or Rise/Fall (aka Transition, aka Slew Rate) trigger to use when triggering on a digital channel waveform.

Added new appendix:

Commands that become available with installation of an application module. (See page G-1, *Application Module-enabled Commands*.)

Instrument Functionality Updates that Impact the Programmatic Command Set

Table 1.1 below lists some of the recent instrument functionality updates for the MDO4000, MSO4000B and DPO4000B Series Oscilloscopes, along with links to the corresponding commands, or new commands that have been added for existing functionality.

Table 1.2 below lists additional capabilities unique to the MDO4000 Series oscilloscopes, along with links to the corresponding commands. The Tektronix MDO4000 Series oscilloscopes are mixed time and frequency domain instruments with integrated RF functionality. When the frequency and time domain waveforms are displayed at the same time, the spectrum is always triggered and time-correlated with the time domain waveforms.

NOTE. The terms “waveform” and “trace” are used interchangeably.

Table 1-1: Updates to the MDO4000, MSO4000B and DPO4000B Series Oscilloscopes

Feature	Use these commands
A record length value of 5M data points has been added to all MSO/DPO4000B products	HORizontal:RECOrdlength
Ability to transfer licenses between modules and oscilloscope	APPLication:LICENSE:SLOT<x>:LOCation? , APPLication:LICENSE:SLOT<x>:TRANSFER , APPLication:LICENSE:SLOT<x>:TYPE?
Ability to trigger and search on pulse width ranges	TRIGger:A:PULSEWidth:WHEN , TRIGger:A:PULSEWidth:LOWLimit , TRIGger:A:PULSEWidth:HIGHLimit , SEARCH:SEARCH<x>:TRIGger:A:PULSEWidth:WHEN , SEARCH:SEARCH<x>:TRIGger:A:PULSEWidth:HIGHLimit , SEARCH:SEARCH<x>:TRIGger:A:PULSEWidth:LOWLimit
Ability to query instrument configuration settings	(See page 2-17, <i>Configuration Command Group</i> .)

Table 1-1: Updates to the MDO4000, MSO4000B and DPO4000B Series Oscilloscopes (cont.)

Feature	Use these commands
Support for choosing the number of waveforms included in an envelope for envelope acquisition mode	ACQuire:NUMEnv
Additional HDTV formats are available for use in triggering on video signals, as well as custom formats	TRIGger:A:VIDeo:STANdard, TRIGger:A:VIDeo:CUSTom{:FORMat .TYPE}

Table 1-2: Features unique to the MDO4000 Series Oscilloscopes

Feature	Use these commands
Ability to create and display up to 4 RF spectrum traces in the frequency domain (Normal, Average, Max Hold and Min Hold) and up to 3 RF traces as waveforms in the time domain (Amplitude vs. Time, Frequency vs. Time, and Phase vs. Time).	SElect:RF_NORMal, SElect:RF_AVErage, SElect:RF_MAXHold, SElect:RF_MINHold, SElect:RF_AMPlitude, SElect:RF_FREQuency, SElect:RF_PHASe, RF:RF_AVErage:NUMAVg, etc. (See page 2-42, <i>RF Command Group</i> .)
Basic Spectrum Analysis settings, including Center Frequency, Span, Start, Stop, Reference Level, Scale, Position and Units.	RF:FREQuency, RF:SPAN, RF:START, RF:STOP, RF:REFLevel, RF:SCAle, RF:POSition, RF:UNIts,
Ability to set/query position and scale on all RF time domain traces.	RF:RF_AMPlitude:VERTical:POSition, RF:RF_AMPlitude:VERTical:SCAle, RF:RF_FREQuency:VERTical:POSition, RF:RF_FREQuency:VERTical:SCAle, RF:RF_PHASe:VERTical:POSition, RF:RF_PHASe:VERTical:SCAle
Resolution Bandwidth can be manually adjusted down to 20Hz; the span-to-RBW ratio can be specified when in auto mode.	RF:RBW, RF:RBW:MODE, RF:SPANRbwratio
Minimum of 1 GHz capture bandwidth at all center frequencies. Up to 3 GHz at 1.5 GHz center frequency – enables characterization of time-varying RF signals as well as “all at once” spectrum captures at a specific point in time.	RF:RBW, RF:FREQuency
Detection methods are provided that reduce the 1,000-2,000,000 point FFT output to fit a 1,000 pixel-wide display: + Peak, –Peak, Sample and Average. The detection method can be set to automatic or manual; the setting applies globally to all traces.	RF:DETECTionmethod:MODE, RF:DETECTionmethod:RF_NORMal, RF:DETECTionmethod:RF_AVErage, RF:DETECTionmethod:RF_MAXHold, RF:DETECTionmethod:RF_MINHold

Table 1-2: Features unique to the MDO4000 Series Oscilloscopes (cont.)

Feature	Use these commands
Up to 11 adjustable Automatic Peak Markers are available. Automatic Marker Readouts can be set to indicate either absolute or delta values in relation to the Reference Marker. The Reference Marker is automatically placed on the highest peak.	MARKER:PEAK:THReshold , MARKER:PEAK:EXCURsion, MARKER:PEAK:STATE, MARKER:PEAK:MAXimum, MARKER:TYPe, SEARCH:SPECTral:LIST?, MARKER:REFERence, MARKER:REFERence:AMPLITUDE?, MARKER:REFERence:FREQUency?
Two manual markers are available for measuring non-peak areas of interest.	MARKER:MANual, MARKER:M<x>:AMPLitude:ABSolute?, MARKER:M<x>:AMPLitude:DELTA?, MARKER:M<x>:FREQUency:DELTA?, MARKER:M<x>:FREQUency:ABSolute, RF:UNIts
Manual marker measurements of noise density and phase noise.	MARKER:M<x>:NOISEDensity?, MARKER:M<x>:PHASENoise?
Ability to use the internal RF Power level (not displayed) as the source for Edge triggering and searching is provided standard with the instrument. With the MDO4TRIG application module installed, the internal RF power level can also be used as the source for pulse width, time-out, runt, logic, and sequence triggering.	TRIGger:A:EDGE:SOUrce, SEARCH:SEARCH<x>:TRIGger:A:EDGE:SOUrce, DISPlay:TRIGFrequency, TRIGger:A:PULSEWidth:SOUrce, TRIGger:A:TIMEOut:SOUrce, TRIGger:A:RUNT:SOUrce, TRIGger:A:LOGIc:THReshold:RF, TRIGger:A:LOGIc:INPut:RF, TRIGger:A:LOWerthreshold:RF, TRIGger:A:UPPerthreshold:RF, TRIGger:B:STATE, TRIGger:B:TYPe, TRIGger:B:EDGE:SOUrce
Ability to choose whether the spectrum is triggered off a global event that is defined using trigger commands, or is in a “free run” mode.	RF:SPECTRUMMode
The RF time domain traces can generally be used the same way as analog waveforms; mark, cursor, zoom and search commands are available.	MARK:CREATE, MARK:DELEte, MARK:USERLIST, MARK:SAVEALL, CURSor:VBArS:UNIts, CURSor:SOUrce, ZOOm:ZOOM<x>:STATE, SEARCH:SEARCH<x>:TRIGger:A:LOGIc:INPut: RF_AMPlitude, SEARCH:SEARCH<x>:TRIGger:A:LOWerthreshold: RF_PHASe, SEARCH:SEARCH<x>:TRIGger:A:UPPerthreshold: RF_PHASe plus additional search commands (See page 2-55, <i>Search Command Group.</i>)

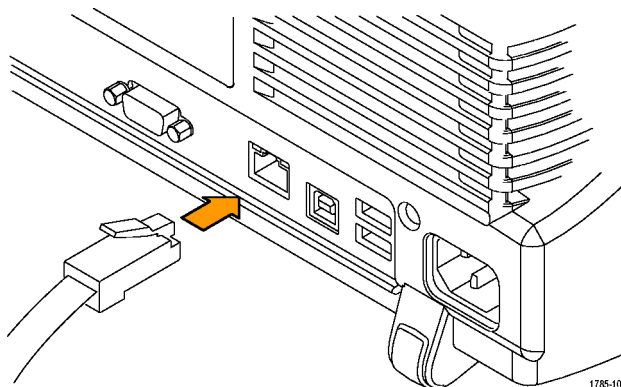
Table 1-2: Features unique to the MDO4000 Series Oscilloscopes (cont.)

Feature	Use these commands
Automatic measurements for the frequency domain spectrum traces, including Channel Power, Adjacent Channel Power Ratio, and Occupied Bandwidth.	RF:MEASUre:TYPe, RF:MEASUre:ACPR:CHANBW, RF:MEASUre:CP:CHANBW, RF:MEASUre:OBW:CHANBW, etc.
Ability to use time domain RF traces as single measurement sources.	MEASUrement:IMMed:SOUrce<x>, MEASUrement:MEAS<x>:SOUrce<x>
Ability to use waveform transfer commands and queries with RF traces. Ability to do a curve query using 32-bit floating point values.	WFMImpre:DOMain, WFMImpre:WFMTYPE, WFMImpre:CENTERFREQuency, WFMImpre:SPAN, WFMImpre:REFLevel, CURVe, DATA:SOUrce, plus associated WFMOupre commands (See page 2-85, <i>Waveform Transfer Command Group</i> .)
Built-in FFT windowing functionality, including Kaiser, Rectangular, Hamming, Hanning, Blackman-Harris and Flat-top window types.	RF:WINDow
Ability to save RF traces to one of 4 reference waveforms. You can save baseband IQ data as a .TIQ file, or import .TIQ files into Tektronix SignalVu-PC software (PC based), SignalVu software (oscilloscope based), RSAVu software (PC based) or into a Tektronix real-time spectrum analyzer for pulse analysis and demodulation analysis.	SAVe:WAVEform
Spectrograms for visualization of time-varying spectral phenomena, and "spectrum slice" control for navigating history.	RF:SPECTRogram:STATE, RF:SPECTRogram:NUMSLICES?, RF:SPECTRogram:SLICESLEct
Spectrum Math functionality — frequency domain traces can be added or subtracted.	MATH[1]:TYPe
Ability to set squelch feature to suppress (not display) the phase and frequency information.	RF:SQUELCH:STATE, RF:SQUELCH:THReshold
Keypad that works in numeric fields throughout the oscilloscope.	FPAnel:PRESS

Setting Up Remote Communications Hardware

You can remotely control communications between your oscilloscope and a PC via Ethernet, USB, or GPIB cables.

Ethernet If you are using Ethernet, start by connecting an appropriate Ethernet cable to the Ethernet port (RJ-45 connector) on the rear panel of your oscilloscope. This connects the oscilloscope to a 10BASE-T/100BASE-TX/1000BASE-T local area network.

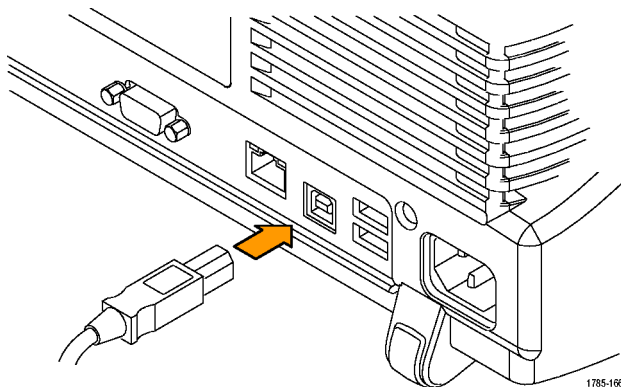


To change the Ethernet settings on your oscilloscope, do the following:

1. On the front panel, push **Utility**.
2. Push **Utility Page**.
3. Select **I/O** with the Multipurpose knob.
4. Push **Network Configuration**.
5. On the side menu, if you are on a DHCP Ethernet network and using a through cable, push **Automatic (DHCP & Auto-IP)**.
6. If you are using a cross-over cable, push **Manual**, and press **Set IP Addresses Manually** to set a hard coded TCP/IP address.

USB

If you are using USB, start by connecting the appropriate USB cable to the USB 2.0 high-speed (HS) device port on the rear panel of your oscilloscope. This port requires that the cable connected from the port to the host computer meets the USB 2.0 specification for high speed connections. Typically, such cables should be 3 feet or shorter in length, but this is determined by the quality of the cable and, with higher quality cables, this length can be extended. (It is also dependent upon the drive capability of the host USB port to which the instrument is connected.) The use of high quality short cables is recommended to avoid USB connection problems.



With USB, the system automatically configures itself. To verify that the USB is enabled:

1. On the front panel, push **Utility**.
2. Push **Utility Page**.
3. Select **I/O** with the Multipurpose knob.
4. Push **USB**, and verify that USB is enabled.
5. If USB is disabled, push **Connect to Computer** on the side menu.

After connection, the host, with appropriate software, can list the oscilloscope as a USB device with the following parameters: (See Table 1-3.)

Table 1-3: USB Device Parameters

Parameter	Value
Manufacturer ID	0x0699 (decimal 1689)
Product ID	DPO4104B 0x0405 (decimal 1029)
The product id varies by model number as follows:	DPO4054B 0x0406 (decimal 1030)
	DPO4034B 0x0407 (decimal 1031)
(You can send the	MSO4104B 0x0409 (decimal 1033)
USBTMC:PRODUCTID:HEXadecimal?	MSO4054B 0x040A (decimal 1034)
query to read the value)	MSO4034B 0x040B (decimal 1035)
	MDO4104-6 0x040C (decimal 1036)
	MDO4104-3 0x040D (decimal 1037)
	MDO4054-6 0x040E (decimal 1038)
	MDO4054-3 0x040F (decimal 1039)
	DPO4102B 0x0417 (decimal 1047)
	DPO4102B-L 0x0418 (decimal 1048)
	DPO4104B-L 0x0419 (decimal 1049)
	MSO4102B 0x041A (decimal 1050)
	MSO4102B-L 0x041B (decimal 1051)
	MSO4104B-L 0x041C (decimal 1052)
	DPO4014B 0x0426 (decimal 1062)
	MSO4014B 0x0428 (decimal 1064)
	MDO4014-3 0x042a (decimal 1066)
	MDO4034-3 0x042e (decimal 1070)
Serial number	Serial number
Manufacturer description	"Tektronix"
Interface description	"USBTMC-USB488"

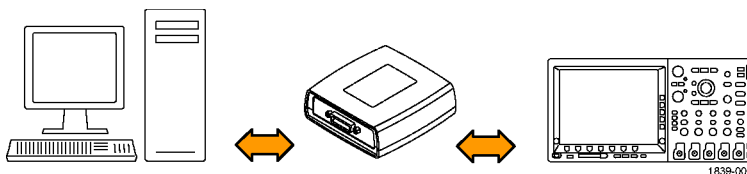
GPIB To use GPIB (General Purpose Interface Bus), start by connecting an appropriate USB cable to the USB 2.0 high-speed (HS) device port on the rear panel of your

oscilloscope. Connect the other end to the TEK-USB-488 Adapter host port. Then connect a GPIB cable from the TEK-USB-488 Adapter to your PC.

Supply power to the Adapter in either of these two ways:

1. Use the optional 5 V_{DC} power adapter connected to the 5 V_{DC} power input on the Adapter.
2. Use an appropriate USB cable connected to a powered USB host port on your PC and the Device port on the TEK-USB-488 Adapter.

The oscilloscope has a USB 2.0 high-speed (HS) device port to control the oscilloscope through USBTMC or GPIB with a TEK-USB-488 Adapter. The USBTMC protocol allows USB devices to communicate using IEEE488 style messages. This lets you run your GPIB software applications on USB hardware.



Before setting up the oscilloscope for remote communication using the electronic (physical) GPIB interface, you should familiarize yourself with the following GPIB requirements:

- A unique device address must be assigned to each device on the bus. No two devices can share the same device address.
- No more than 15 devices can be connected to any one line.
- One device should be connected for every 6 feet (2 meters) of cable used.
- No more than 65 feet (20 meters) of cable should be used to connect devices to a bus.
- At least two-thirds of the devices on the network should be powered on while using the network.
- Connect the devices on the network in a star or linear configuration. Do not use loop or parallel configurations.

To function correctly, your oscilloscope must have a unique device address. The default setting for the GPIB configuration is GPIB Address 1.

To change the GPIB address settings, do the following:

1. On the front panel, push **Utility**.
2. Push **Utility Page**.
3. Select **I/O** with the Multipurpose knob.
4. Push **GPIB**.
5. Enter the GPIB address on the side menu, using the multipurpose knob. This will set the GPIB address on an attached TEK-USB-488 Adapter

The oscilloscope is now set up for bidirectional communication with your controller.

Setting Up Remote Communications Software

Connect your oscilloscope directly to a computer to let the PC analyze your data, collect screen images, or to control the oscilloscope using a program of your own creation. Three ways to connect your oscilloscope to a computer are through the VISA drivers, the e*Scope Web-enabled tools, or via a socket server.

Using VISA

VISA lets you use your MS-Windows computer to acquire data from your oscilloscope for use in an analysis package that runs on your PC, such as Microsoft Excel, National Instruments LabVIEW, Tektronix OpenChoice Desktop software, or your own custom software. You can use a common communications connection, such as USB, Ethernet, or GPIB, to connect the computer to the oscilloscope.

To set up VISA communications between your oscilloscope and a computer:

1. Load the VISA drivers on your computer. Also, load your application, such as OpenChoice Desktop. You will find the drivers and OpenChoice Desktop software on the appropriate CD that comes with your oscilloscope or at the Tektronix software finder Web page (www.tektronix.com/downloads).
2. Connect the oscilloscope to your computer with the appropriate USB or Ethernet cable. To communicate between the oscilloscope and a GPIB system, connect the oscilloscope to the TEK-USB-488 GPIB-to-USB Adapter with a USB cable. Then connect the adapter to your GPIB system with a GPIB cable. Cycle the power on the oscilloscope.
3. Push **Utility**.
4. Push **Utility Page**.
5. Turn multipurpose knob **a** and select **I/O**.
6. If you are using USB, the system sets itself up automatically for you, if USB is enabled. Check **USB** on the lower menu to be sure that USB is enabled. If it is not enabled, push **USB**. Then push **Connect to Computer** on the side menu.
7. To use Ethernet, push **Ethernet & LXI** on the lower menu. Use the side menu buttons to adjust your network settings, as needed. For more information, see the e*Scope setup information below.
8. If you want to change socket server parameters, push **Socket Server** and enter new values through the resulting side menu.
9. If you are using GPIB, push **GPIB**. Enter the GPIB address on the side menu, using multipurpose knob **a**. This will set the GPIB address on an attached TEK-USB-488 Adapter.
10. Run your application software on your computer.

Quick Tips

- Your oscilloscope shipped with a CD containing a variety of Windows-based software tools for efficient connectivity between your oscilloscope and your computer. These include toolbars that speed connectivity with Microsoft Excel and Word. There are also two standalone acquisition programs called NI LabVIEW SignalExpress™, Tektronix Edition and Tektronix OpenChoice Desktop.
- The rear-panel USB 2.0 high-speed (HS) device port is the correct USB port for computer connectivity. Use the rear- and front-panel USB 2.0 host ports to connect your oscilloscope to USB flash drives, hard drives, printers and keyboards. Use the USB Device port to connect your oscilloscope to a PC or a PictBridge printer.

Using the LXI Web Page and e*Scope

With e*Scope, you can access any Internet-connected MSO/DPO4000B or MDO4000 Series oscilloscope from a web browser. To set up e*Scope communications between your oscilloscope and a Web browser running on a remote computer:

1. Connect the oscilloscope to your computer network with an appropriate Ethernet cable.
2. Push **Utility**.
3. Push **Utility Page**.
4. Turn multipurpose knob **a** and select **I/O**.
5. Push **Ethernet & LXI**.
6. On top of the side menu, there is an indicator light which turns green for good status and red if the device detects a fault. Look at it to determine the condition of the LAN.
7. Push **LAN Settings** to display the network parameters configured on your oscilloscope.
8. Push **LAN Reset** to restore the LAN defaults to your oscilloscope.
9. Push **Test Connection** to check if your oscilloscope can find an attached network.
10. Push **More** to see another page of side-menu items.
11. Push **Change Names** to change the name of the oscilloscope, the network domain, or the service name.
12. Push **Change Ethernet & LXI Password** to use the LXI password to also protect your oscilloscope from changes made to LAN settings from a Web browser.
13. Start your browser on your remote computer. In the browser address line, enter the host name, a dot, and the domain name together. Alternatively, just enter the IP address of the instrument. Either way, you should then see the LXI Welcome page on your Web browser on your computer screen.
14. Click “Network Configuration” to view and edit the network configuration settings. If you are using a password and changing your settings, you need to know that the default user name is “lxiuser”.
15. For e*Scope, click the Instrument Control (e*Scope) link on the left side of the LXI Welcome page. You should then see a new tab (or window) open in your browser with e*Scope running.

Using a Socket Server

A socket server provides two-way communication over an Internet Protocol-based computer network. You can use your oscilloscope’s socket server feature to let your oscilloscope talk to a remote-terminal device or computer.

To set up and use a socket server between your oscilloscope and a remote terminal or computer:

1. Connect the oscilloscope to your computer network with an appropriate Ethernet cable.
2. Push **Utility**.
3. Push **Utility Page**.
4. Turn multipurpose knob **a** and select **I/O**.
5. Push **Socket Server**.
6. On the resulting Socket Server side menu, push the top entry to highlight **Enabled**.
7. Choose whether the protocol should be **None** or **Terminal**. A communication session run by a human at a keyboard typically uses a terminal protocol. An automated session might handle its own communications without using such a protocol.
8. If required, change the port number by rotating multipurpose knob **a**.
9. If required, press **OK** to set the new port number.
10. After setting up the socket server parameters, you can now have the computer “talk” to the oscilloscope. If you are running an MS Windows PC, you could run its default client with its command-like interface. One way to do this is by typing “**Te1net**” in the Run window. The Telnet window will open on the PC.

NOTE. *On MS Windows 7, you must first enable Telnet in order for it to work.*

11. Start a terminal session between your computer and your oscilloscope by typing in an open command with the oscilloscope's LAN address and port #. You can obtain the LAN address by pushing the **Ethernet & LXI** bottom menu item and the resulting **LAN Settings** side menu item to view the resulting Ethernet and LXI Setting screen. You can obtain the port # by pushing the **Socket Server** bottom menu item and viewing the **Current Port** side menu item.

For example, if the oscilloscope IP address was **123.45.67.89** and the port # was the default of **4000**, you could open a session by writing into the MS Windows Telnet screen:

o **123.45.67.89 4000**

The oscilloscope will send a help screen to the computer when it is done connecting.

12. You can now type in a standard query, as found in the programmer manual, such as `*idn?`

The Telnet session window will respond by displaying a character string describing your instrument. You can type in more queries and view more results on this Telnet session window. You can find the syntax for relevant queries and related status codes in other sections of this manual.

NOTE. *Do not use the computer's backspace key during an MS Windows' Telnet session with the oscilloscope.*

Socket Server Terminal Protocol Mode Commands. Following are Tektronix Instrument Control Terminal Session Control commands:

`!t <timeout>` : set the response timeout in milliseconds.

`!d` : send device clear to the instrument.

`!r` : read response from instrument.

`!h` : print this usage info.

NOTE. *Commands containing a ? are treated as queries, and the responses are read automatically.*

Documentation

The following documents are available for download at www.tektronix.com:

MDO4000 Series Mixed Domain Oscilloscopes User Manual. Information about installing and operating the oscilloscope.

MDO4000 Series Mixed Domain Oscilloscopes Specifications and Performance Verification Technical Reference. Oscilloscope specifications and a performance verification procedure.

MSO4000B and DPO4000B Series Digital Phosphor Oscilloscopes User Manual. Information about installing and operating the oscilloscope.

MSO4000B and DPO4000B Series Digital Phosphor Oscilloscopes Technical Reference. Oscilloscope specifications and a performance verification procedure.

Getting Started with OpenChoice™ Solutions Manual. Options for getting data from your oscilloscope into any one of several available analysis tools.

TekVISA Programmer Manual. Description of TekVISA, the Tektronix implementation of the VISA Application Programming Interface (API). TekVISA is industry-compliant software for writing interoperable oscilloscope drivers in a variety of Application Development Environments (ADEs).

Syntax and Commands

Command Syntax

You can control the operations and functions of the oscilloscope through the Ethernet port or the USB 2.0 high-speed (HS) device port using commands and queries. The related topics listed below describe the syntax of these commands and queries. The topics also describe the conventions that the oscilloscope uses to process them. See the *Command Groups* topic in the table of contents for a listing of the commands by command group, or use the index to locate a specific command.

Backus-Naur Form Notation

This documentation describes the commands and queries using Backus-Naur Form (BNF) notation. Refer to the following table for the symbols that are used.

Table 2-1: Symbols for Backus-Naur Form

Symbol	Meaning
< >	Defined element
=	Is defined as
	Exclusive OR
{ }	Group; one element is required
[]	Optional; can be omitted
. . .	Previous element(s) may be repeated

Command and Query Structure

Commands consist of set commands and query commands (usually called commands and queries). Commands modify oscilloscope settings or tell the oscilloscope to perform a specific action. Queries cause the oscilloscope to return data and status information.

Most commands have both a set form and a query form. The query form of the command differs from the set form by its question mark at the end. For example, the set command `ACQuire:MODE` has a query form `ACQuire:MODE?`. Not all commands have both a set and a query form. Some commands have set only and some have query only.

Messages

A command message is a command or query name followed by any information the oscilloscope needs to execute the command or query. Command messages may contain five element types, defined in the following table.

Table 2-2: Command Message Elements

Symbol	Meaning
<Header>	This is the basic command name. If the header ends with a question mark, the command is a query. The header may begin with a colon (:) character. If the command is concatenated with other commands, the beginning colon is required. Never use the beginning colon with command headers beginning with a star (*).
<Mnemonic>	This is a header subfunction. Some command headers have only one mnemonic. If a command header has multiple mnemonics, a colon (:) character always separates them from each other.
<Argument>	This is a quantity, quality, restriction, or limit associated with the header. Some commands have no arguments while others have multiple arguments. A <space> separates arguments from the header. A <comma> separates arguments from each other.
<Comma>	A single comma is used between arguments of multiple-argument commands. Optionally, there may be white space characters before and after the comma.
<Space>	A white space character is used between a command header and the related argument. Optionally, a white space may consist of multiple white space characters.

Commands

Commands cause the oscilloscope to perform a specific function or change one of the settings. Commands have the structure:

[:] <Header> [<Space> <Argument> [<Comma> <Argument>] . . .]

A command header consists of one or more mnemonics arranged in a hierarchical or tree structure. The first mnemonic is the base or root of the tree and each subsequent mnemonic is a level or branch off the previous one. Commands at a higher level in the tree may affect those at a lower level. The leading colon (:) always returns you to the base of the command tree.

Queries Queries cause the oscilloscope to return status or setting information. Queries have the structure:

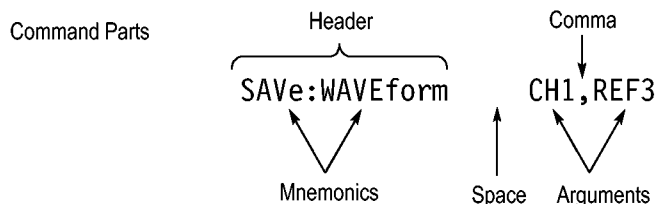
- [:] <Header>
- [:] <Header> [<Space> <Argument> [<Comma> <Argument>] . . .]

You can specify a query command at any level within the command tree unless otherwise noted. These branch queries return information about all the mnemonics below the specified branch or level.

Headers Use the HEADER command to control whether the oscilloscope returns headers as part of the query response. If header is on, the query response returns command headers, then formats itself as a valid set command. When header is off, the response includes only the values. This may make it easier to parse and extract the information from the response. The table below shows the difference in responses.

Table 2-3: Comparison of Header Off and Header On Responses

Query	Header Off	Header On
TIME?	14:30:00	:TIME "14:30:00"
ACQUIRE:NUMAVG?	100	:ACQUIRE:NUMAVG 100



Clearing the oscilloscope

You can clear the Output Queue and reset the oscilloscope to accept a new command or query by using the selected Device Clear (DCL) function.

Command Entry

The following rules apply when entering commands:

- You can enter commands in upper or lower case.
- You can precede any command with white space characters. White space characters include any combination of the ASCII control characters 00 through 09 and 0B through 20 hexadecimal (0 through 9 and 11 through 32 decimal).
- The oscilloscope ignores commands consisting of any combination of white space characters and line feeds.

Abbreviating

You can abbreviate many oscilloscope commands. Each command in this documentation shows the minimum acceptable abbreviations in capitals. For example, you can enter the command `ACQuire:NUMAVg` simply as `ACQ:NUMA` or `acq:numa`.

Abbreviation rules may change over time as new oscilloscope models are introduced. Thus, for the most robust code, use the full spelling.

If you use the `HEADer` command to have command headers included as part of query responses, you can further control whether the returned headers are abbreviated or are full-length with the `VERBoSe` command.

Concatenating

You can concatenate any combination of set commands and queries using a semicolon (;). The oscilloscope executes concatenated commands in the order received.

When concatenating commands and queries, you must follow these rules:

1. Separate completely different headers by a semicolon and by the beginning colon on all commands except the first one. For example, the commands `TRIGger:MODE NORMAl` and `ACQuire:NUMAVg 8`, can be concatenated into the following single command:

```
TRIGger:MODE NORMAl;:ACQuire:NUMAVg 8
```

2. If concatenated commands have headers that differ by only the last mnemonic, you can abbreviate the second command and eliminate the beginning colon. For example, you can concatenate the commands `ACQuire:MODE ENVeLope` and `ACQuire:NUMAVg 8` into a single command:

```
ACQuire:MODE ENVeLope; NUMAVg 8
```

The longer version works equally well:

```
ACQuire:MODE ENVeLope;:ACQuire:NUMAVg 8
```

3. Never precede a star (*) command with a colon:

```
ACQuire:STATE 1;*OPC
```

Any commands that follow will be processed as if the star command was not there so the commands, `ACQuire:MODE ENVeLope;*OPC;NUMAVg 8` will set the acquisition mode to envelope and set the number of acquisitions for averaging to 8.

4. When you concatenate queries, the responses to all the queries are concatenated into a single response message. For example, if the display graticule is set to Full and the display style is set to dotsonly, the concatenated query `DISPlay:GRATiCuLe?;STYLe:DOTsonly?` will return the following.

If the header is on:

```
DISPLAY:GRATICULE FULL;:DISPLAY:STYLE:DOTSONLY 1
```


If the header is off:

```
FULL;1
```

1. Set commands and queries may be concatenated in the same message. For example,

```
ACQuire:MODE SAMple;NUMAVg?;STATE?
```

is a valid message that sets the acquisition mode to sample. The message then queries the number of acquisitions for averaging and the acquisition state. Concatenated commands and queries are executed in the order received.

Here are some invalid concatenations:

```
DISPlay:STYle:DOTsonly OFF;ACQuire:NUMAVg 8 (no colon before ACQuire)
```

```
DISPlay:GRATicule FULL;:STYle:DOTSONLY OFF (extra colon before STYle.
```

```
DISPlay:GRATicule FULL;:*TRG (colon before a star (*) command)
```

```
MATH:HORizontal:SCALE 1.0e-1;HORizontal:POSITION 5.0e1  
(levels of the mnemonics are different; either remove the second use of  
HORizontal: or place :MATH in front of HORizontal:POSITION)
```

Terminating

This documentation uses <EOM> (End of Message) to represent a message terminator.

Table 2-4: End of Message Terminator

Symbol	Meaning
<EOM>	Message terminator

The end-of-message terminator must be the END message (EOI asserted concurrently with the last data byte). The last data byte may be an ASCII line feed (LF) character.

This oscilloscope does not support ASCII LF only message termination. The oscilloscope always terminates outgoing messages with LF and EOI.

Constructed Mnemonics

Some header mnemonics specify one of a range of mnemonics. For example, a channel mnemonic can be CH1, CH2, CH3, or CH4. You use these mnemonics in the command just as you do any other mnemonic. For example, there is a CH1:POSITION command, and there is also a CH2:POSITION command. In the command descriptions, this list of choices is abbreviated as CH<x>.

Cursor Position Mnemonics

When cursors are displayed, commands may specify which cursor of the pair to use.

Table 2-5: Channel Mnemonics

Symbol	Meaning
CH<x>	A channel specifier; <x> is 1 through 4.

Table 2-6: Cursor Mnemonics

Symbol	Meaning
CURSOR<x>	A cursor selector; <x> is either 1 or 2.
POSITION<x>	A cursor selector; <x> is either 1 or 2.
HPOS<x>	A cursor selector; <x> is either 1 or 2.

Math Specifier Mnemonics

Commands can specify the mathematical waveform to use as a mnemonic in the header.

Table 2-7: Math Specifier Mnemonics

Symbol	Meaning
Math<x>	A math waveform specifier; <x> is 1.

Measurement Specifier Mnemonics

Commands can specify which measurement to set or query as a mnemonic in the header. Up to eight automated measurements may be displayed.

Table 2-8: Measurement Specifier Mnemonics

Symbol	Meaning
MEAS<x>	A measurement specifier; <x> is 1 through 8.

Channel Mnemonics

Commands specify the channel to use as a mnemonic in the header.

Reference Waveform Mnemonics

Commands can specify the reference waveform to use as a mnemonic in the header.

Table 2-9: Reference Waveform Mnemonics

Symbol	Meaning
REF<x>	A reference waveform specifier; <x> is 1, 2, 3, or 4 for 4-channel oscilloscopes and 1 or 2 for 2-channel oscilloscopes.

Argument Types

Commands use arguments such as enumeration, numeric, quoted string and block. Each of these arguments are listed in detail below.

Enumeration Enter these arguments as unquoted text words. Like key words, enumeration arguments follow the same convention where the portion indicated in uppercase is required and that in lowercase is optional.

For example: `SAVE:WAVEform:FILEFormat INTERNA1`

Numeric Many oscilloscope commands require numeric arguments. The syntax shows the format that the oscilloscope returns in response to a query. This is also the preferred format when sending the command to the oscilloscope, though any of the formats will be accepted. This documentation represents these arguments as described below.

Table 2-10: Numeric Arguments

Symbol	Meaning
<NR1>	Signed integer value
<NR2>	Floating point value without an exponent
<NR3>	Floating point value with an exponent
<bin>	Signed or unsigned integer in binary format

Most numeric arguments will be automatically forced to a valid setting, by either rounding or truncating, when an invalid number is input, unless otherwise noted in the command description.

Quoted String Some commands accept or return data in the form of a quoted string, which is simply a group of ASCII characters enclosed by a single quote (') or double quote ("). The following is an example of a quoted string: "This is a quoted string". This documentation represents these arguments as follows:

Table 2-11: Quoted String Argument

Symbol	Meaning
<QString>	Quoted string of ASCII text

A quoted string can include any character defined in the 7-bit ASCII character set. Follow these rules when you use quoted strings:

1. Use the same type of quote character to open and close the string. For example: "this is a valid string".
2. You can mix quotation marks within a string as long as you follow the previous rule. For example: "this is an 'acceptable' string".
3. You can include a quote character within a string by repeating the quote. For example: "here is a "" mark".
4. Strings can have upper or lower case characters.
5. If you use a GPIB network, you cannot terminate a quoted string with the END message before the closing delimiter.
6. A carriage return or line feed embedded in a quoted string does not terminate the string. The return is treated as another character in the string.
7. The maximum length of a quoted string returned from a query is 1000 characters.

Here are some invalid strings:

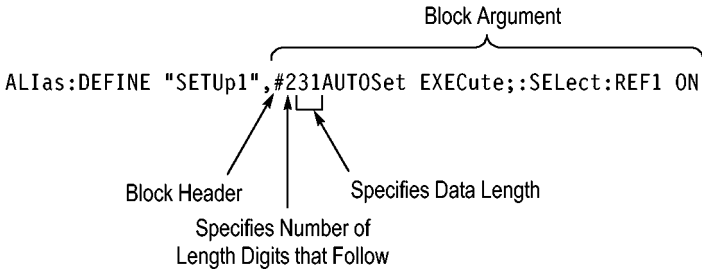
- "Invalid string argument" (quotes are not of the same type)
- "test<EOI>" (termination character is embedded in the string)

Block Several oscilloscope commands use a block argument form, as defined in the table below.

Table 2-12: Block Argument

Symbol	Meaning
<NZDig>	A nonzero digit character in the range of 1–9
<Dig>	A digit character, in the range of 0–9
<DChar>	A character with the hexadecimal equivalent of 00 through FF (0 through 255 decimal)
<Block>	A block of data bytes defined as: <Block> ::= {#<NZDig><Dig>[<Dig>...][<DChar>...] #0[<DChar>...]<terminator>}

<NZDig> specifies the number of <Dig> elements that follow. Taken together, the <NZDig> and <Dig> elements form a decimal integer that specifies how many <DChar> elements follow.



Command Groups

This manual lists the MSO4000B, DPO4000B and MDO4000 Series IEEE488.2 commands in two ways. First, it presents them by functional groups. Then, it lists them alphabetically. The functional group list starts below. The alphabetical list provides detail on each command.

Acquisition Command Group

Use the commands in the Acquisition Command Group to set up the modes and functions that control how the oscilloscope acquires signals input to the channels, and processes them into waveforms.

Using the commands in this group, you can do the following:

- Start and stop acquisitions.
- Control whether each waveform is simply acquired, averaged, or enveloped over successive acquisitions of that waveform.
- Set the controls or conditions that start and stop acquisitions.
- Control acquisition of channel waveforms.
- Set acquisition parameters.

Table 2-13: Acquisition Commands

Command	Description
ACQUIRE?	Returns acquisition parameters
ACQUIRE:MAGNIVU	This command specifies the MagniVu feature
ACQUIRE:MAXSAMPLERATE?	Returns the maximum real-time sample rate
ACQUIRE:MODE	Specifies the acquisition mode of the oscilloscope for all analog channel waveforms.
ACQUIRE:NUMACQ?	Returns number of acquisitions that have occurred
ACQUIRE:NUMAVG	This command specifies the number of acquisitions for an averaged waveform
ACQUIRE:NUMENV	This command controls the number of envelopes (when acquisition mode is set to ENVELOPE using ACQUIRE:MODE).
ACQUIRE:STATE	Starts or stops the acquisition system
ACQUIRE:STOPAFTER	This command specifies whether the acquisition is continuous or single sequence

Alias Command Group

Use the Alias commands to define new commands as a sequence of standard commands. You may find this useful when repeatedly using the same commands to perform certain tasks like setting up measurements.

Aliases are similar to macros but do not include the capability to substitute parameters into alias bodies. To use Alias commands, first define the alias, then turn on the alias state.

The alias mechanism obeys the following rules:

- the alias name must consist of a valid IEEE488.2 message unit, which may not appear in a message preceded by a colon, comma, or a command or query program header.
- the alias name may not appear in a message followed by a colon, comma, or question mark.
- an alias name must be distinct from any keyword or keyword short form.
- an alias name cannot be redefined without first being deleted using one of the alias deletion functions.
- alias names do not appear in response messages.

Table 2-14: Alias Commands

Command	Description
ALias:CATalog?	Returns a list of the currently defined alias labels
ALias:DEFine	Assigns a sequence of program messages to an alias label
ALias:DELEte:ALL	Deletes all existing aliases
ALias:DELEte[:NAME]	Removes a specified alias
ALias[:STATE]	This command specifies the alias state

Bus Command Group

Use the Bus commands when working with serial or parallel bus measurements. Parallel bus trigger and analysis functionality is included standard with the MSO and MDO Series. All other bus triggers require installation of an application module.

A table is available that lists all commands enabled by each application module (See page G-1, *Application Module-enabled Commands*.)

- For I²C or SPI bus signals, install the DPOEMBD application module.
- For RS-232, RS-422, RS-485, or UART bus signals, install the DPO4COMP module.
- For I²S, Left Justified (LJ), Right Justified (RJ), or TDM bus signals, install the DPO4AUDIO module.
- For CAN or LIN bus signals, install the DPO4AUTO or DPO4AUTOMAX module.
- For FlexRay bus signals, install the DPO4AUTOMAX module.
- For Ethernet signals, install the DPO4ENET module. Note that ≥ 350 MHz bandwidth models are recommended for 100BASE-TX.
- For MIL-STD-1553 bus signals, install the DPO4AERO module.
- For USB bus signals, install the DPO4USB module. Note that 1 GHz bandwidth models are recommended for high-speed (HS) USB.

NOTE. *The Search Command Group and the Trigger Command Group also contain bus-related commands.*

Table 2-15: Bus Commands

Commands	Description
BUS?	Returns the parameters for each serial (if installed) and parallel bus.
BUS:B<x>:AUDio:BITDelay	This command specifies the number of delay bits for the AUDIO bus
BUS:B<x>:AUDio:BITOrder	This command specifies the bit order for the AUDIO bus
BUS:B<x>:AUDio:CHANnel:SIZE	This command specifies the number of bits per channel for the AUDIO bus
BUS:B<x>:AUDio:CLOCK:POLarity	This command specifies the clock polarity for the AUDIO bus
BUS:B<x>:AUDio:CLOCK:SOUrce	This command specifies the clock source waveform for the AUDIO bus
BUS:B<x>:AUDio:DATA:POLarity	This command specifies the data polarity for the AUDIO bus
BUS:B<x>:AUDio:DATA:SIZE	This command specifies the number of bits per word for the AUDIO bus
BUS:B<x>:AUDio:DATA:SOUrce	This command specifies the data source waveform for the AUDIO bus
BUS:B<x>:AUDio:DISplay:FORMat	This command specifies the display format for the AUDIO bus
BUS:B<x>:AUDio:FRAME:SIZE	This command specifies the number of channels in each frame for the AUDIO bus
BUS:B<x>:AUDio:FRAMESync:POLarity	This command specifies the frame sync polarity for the AUDIO bus
BUS:B<x>:AUDio:FRAMESync:SOUrce	This command specifies the frame sync source waveform for the AUDIO bus
BUS:B<x>:AUDio:TYPE	This command specifies the audio format (type) for the AUDIO bus
BUS:B<x>:AUDio:WORDSel:POLarity	This command specifies the word select polarity for the AUDIO bus
BUS:B<x>:AUDio:WORDSel:SOUrce	This command specifies the word select source waveform for the AUDIO bus

Table 2-15: Bus Commands (cont.)

Commands	Description
BUS:B<x>:CAN:BITRate	This command specifies the bit rate for the CAN bus
BUS:B<x>:CAN:PRObe	This command specifies the probing method used to probe the CAN bus
BUS:B<x>:CAN:SAMPLEpoint	This command specifies the sample point (in %) to sample during each bit period
BUS:B<x>:CAN:SOUrce	This command specifies the CAN data source
BUS:B<x>:DISPlay:FORMat	Sets the display format for the numerical information in the specified bus waveform
BUS:B<x>:DISPlay:TYPe	Sets the display type for the specified bus
BUS:B<x>:ETHERnet:PRObe	This command specifies the Ethernet probe type: differential or single-ended.
BUS:B<x>:ETHERnet:PROTOcol	Use this command to set the Ethernet protocol type to TCP/IPv4, or to OTHER.
BUS:B<x>:ETHERnet:SOUrce:DIFFerential	This command specifies the Ethernet data source for differential input.
BUS:B<x>:ETHERnet:SOUrce:DMINus	This command specifies the Ethernet data source for D- input for single-ended probing.
BUS:B<x>:ETHERnet:SOUrce:DPLUs	This command specifies the Ethernet data source for the D+ input for single-ended probing.
BUS:B<x>:ETHERnet:TYPe	This command specifies the Ethernet standard type: 10Base-T or 100Base-T.
BUS:B<x>:FLEXray:BITRate	This command specifies the bit rate for the FlexRay bus signal
BUS:B<x>:FLEXray:CHannel	This command specifies the the FlexRay bus ID format
BUS:B<x>:FLEXray:SIGNAL	This command specifies the the FlexRay bus standard
BUS:B<x>:FLEXray:SOUrce	This command specifies the the FlexRay bus data source
BUS:B<x>:I2C:ADDRess:RWINClude	Sets and returns whether the read/write bit is included in the address
BUS:B<x>:I2C{:CLOCK}:SCLk}:SOUrce	This command specifies the I2C SCLK source
BUS:B<x>:I2C{:DATA}:SDATA}:SOUrce	This command specifies the I2C SDATA source
BUS:B<x>:LABel	This command specifies the waveform label for the specified bus
BUS:B<x>:LIN:BITRate	This command specifies the bit rate for LIN
BUS:B<x>:LIN:IDFORMat	This command specifies the LIN ID format
BUS:B<x>:LIN:POLarity	This command specifies the LIN polarity
BUS:B<x>:LIN:SAMPLEpoint	This command specifies the sample point (in %) at which to sample during each bit period
BUS:B<x>:LIN:SOUrce	This command specifies the LIN data source
BUS:B<x>:LIN:STANDard	This command specifies the LIN standard
BUS:B<x>:MIL1553B:POLarity	This command sets the MIL-STD-1553 polarity to normal or inverted.
BUS:B<x>:MIL1553B:RESPonsetime:MAXimum	This command specifies the maximum response time to a valid command issued.
BUS:B<x>:MIL1553B:RESPonsetime:MINimum	This command specifies the minimum response time to a valid command issued.
BUS:B<x>:MIL1553B:SOUrce	This command specifies the MIL-STD-1553 source for differential input.
BUS:B<x>:PARAllel:BIT<x>:SOUrce	This command specifies the Parallel bit source for the specified bus

Table 2-15: Bus Commands (cont.)

Commands	Description
BUS:B<x>:PARAllel:CLOCK:EDGE	This command specifies the Parallel clock edge for the specified bus
BUS:B<x>:PARAllel:CLOCK:ISCLOCKed	This command specifies the Parallel bus clock function for the specified bus
BUS:B<x>:PARAllel:CLOCK:SOUrce	This command specifies the Parallel clock source for the specified bus
BUS:B<x>:PARAllel:WIDth	This command specifies the width of the Parallel bus
BUS:B<x>:POSItion	This command specifies the position of the specified bus waveform
BUS:B<x>:RS232C:BITRate	This command specifies the RS-232 bit rate for the specified bus
BUS:B<x>:RS232C:DATABits	This command specifies the number of bits for the data frame
BUS:B<x>:RS232C:DELIMiter	This command specifies the RS-232 delimiting value for a packet on the specified bus
BUS:B<x>:RS232C:DISplaymode	This command specifies the display mode for the specified bus display and event table
BUS:B<x>:RS232C:PARity	This command specifies parity for RS-232 data
BUS:B<x>:RS232C:POLarity	This command specifies the RS-232C polarity for the specified bus
BUS:B<x>:RS232C:RX:SOUrce	This command specifies the RS-232 RX source
BUS:B<x>:RS232C:TX:SOUrce	This command specifies the RS-232 TX Source
BUS:B<x>:SPI:BITOrder	This command specifies the bit order for the specified SPI bus
BUS:B<x>:SPI{:CLOCK :SCLK}:POLarity	This command specifies the SPI SCLK polarity
BUS:B<x>:SPI{:CLOCK :SCLK}:SOUrce	This command specifies the SPI SCLK source
BUS:B<x>:SPI:DATA{:IN :MISO}:POLarity	This command specifies the SPI MISO polarity
BUS:B<x>:SPI:DATA{:IN :MISO}:SOUrce	This command specifies the SPI MISO source
BUS:B<x>:SPI:DATA{:OUT :MOSI}:POLarity	This command specifies the SPI MOSI polarity
BUS:B<x>:SPI:DATA{:OUT :MOSI}:SOUrce	This command specifies the SPI MOSI source
BUS:B<x>:SPI:DATA:SIZE	This command specifies the number of bits per word for the specified bus
BUS:B<x>:SPI:FRAMING	This command specifies the SPI framing type
BUS:B<x>:SPI:IDLETime	This command specifies the SPI bus idle time in seconds for the specified bus
BUS:B<x>:SPI{:SElect :SS}:POLarity	This command specifies the SPI SS polarity
BUS:B<x>:SPI{:SElect :SS}:SOUrce	This command specifies the SPI SS source
BUS:B<x>:STATE	Turns the specified bus on and off
BUS:B<x>:TYPE	This command specifies the specified bus type
BUS:B<x>:USB:BITRate	This command specifies the USB bit rate
BUS:B<x>:USB:PRObe	This command specifies the type of probes attached to the USB signal
BUS:B<x>:USB:SOUrce:DIFFerential	This command specifies the USB source channels when using a differential probe
BUS:B<x>:USB:SOUrce:DMINus	This command specifies the USB D- source channel

Table 2-15: Bus Commands (cont.)

Commands	Description
BUS:B<x>:USB:SOUrce:DPLUs	This command specifies the USB D+ source channel
BUS:LOWerthreshold:CH<x>	This command specifies the lower threshold for each channel
BUS:LOWerthreshold{:MATH :MATH1}	This command specifies the lower threshold for the math waveform.
BUS:LOWerthreshold:REF<x>	This command sets the lower threshold for each reference waveform.
BUS:THReshold:CH<x>	This command specifies the threshold for a channel.
BUS:THReshold:D<x>	This command specifies the threshold for a digital channel.
BUS:UPPerthreshold:CH<x>	This command specifies the upper threshold for each channel.
BUS:UPPerthreshold{:MATH :MATH1}	This command specifies the upper threshold for the math waveform.
BUS:UPPerthreshold:REF<x>	This command sets the upper threshold for each reference waveform.

Calibration and Diagnostic Command Group

The Calibration and Diagnostic commands provide information about the current state of oscilloscope calibration. They also initiate internal signal path calibration (SPC) or execute diagnostic tests. Commands that are specific to factory calibration are not described in this manual. Instead, they are described in the Service Manual Documentation CD-ROM in PDF format. You can also order a printed copy.

Table 2-16: Calibration and Diagnostic Commands

Command	Description
*CAL?	Instructs the oscilloscope to perform self-calibration and returns the oscilloscope self calibration status
CALibrate:FACTory:STATus?	Returns the factory calibration status value saved in nonvolatile memory
CALibrate:INTERNAI	Starts a signal path compensation
CALibrate:INTERNAI:START	Starts the internal signal path calibration
CALibrate:INTERNAI:STATus?	Returns the current status of the internal signal path calibration
CALibrate:RESults?	Returns the status of all calibration subsystems without performing an SPC operation
CALibrate:RESults:FACTory?	Returns the status of internal and factory calibration
CALibrate:RESults:SPC?	Returns the results of the last SPC operation
CALibrate:RF	This command begins the RF calibration process.
CALibrate:RF:START	This command is identical to <code>CALIBRATE:RF</code> .
CALibrate:RF:STATus?	This query returns the status of the last RF calibration.
DIAg:LOOP:OPTion	Sets the self-test loop option
DIAg:LOOP:OPTion:NTIMes	Sets the self-test loop option to run N times
DIAg:LOOP:STOP	Stops the self-test at the end of the current loop

Table 2-16: Calibration and Diagnostic Commands (cont.)

Command	Description
DIAG:RESUlt:FLAg?	Returns the pass/fail status from the last self-test sequence execution
DIAG:RESUlt:LOG?	Returns the internal results log from the last self-test sequence execution
DIAG:SELEct:<function>	Selects one of the available self-test areas
DIAG:STATE	Sets the oscilloscope operating state
DIAG:SELEct	Runs self tests on the specified system subsystem

Configuration Command Group

Use the queries in the Configuration Command Group to determine whether a particular feature is present.

Table 2-17: Configuration Commands

Command	Description
CONFIguration:ANALog:GNDCPLG?	This query returns a boolean value to indicate whether the instrument supports the ground coupling feature for analog channels. As this feature is not supported on MSO/DPO4000B or MDO4000 models, this query always returns 0.
CONFIguration:ANALog:MAXBANDWidth?	This query returns the maximum bandwidth for analog channels.
CONFIguration:ANALog:MAXSAMPLERate?	This query returns the maximum sample rate for analog channels.
CONFIguration:ANALog:NUMCHANnels?	This query returns the number of analog channels.
CONFIguration:ANALog:RECLENS?	This query returns a list of supported record lengths for analog channels.
CONFIguration:ANALog:VERTINVert?	This query returns a boolean value to indicate whether the instrument supports the vertical invert feature for analog channels.
CONFIguration:ADVMATH?	This query returns a boolean value to indicate whether the instrument supports the advanced math feature.
CONFIguration:APPLications:LIMITMask?	This query returns a boolean value to indicate whether the instrument supports the mask/limit test application feature.
CONFIguration:APPLications:POWer?	This query returns a boolean value to indicate whether the optional power application feature is present.

Table 2-17: Configuration Commands (cont.)

Command	Description
CONFIGuration:AUXIN?	This query returns a boolean value to indicate whether the instrument has an auxiliary input.
CONFIGuration:BUSWAVEFORMS:AUDIO?	This query returns a boolean value to indicate whether the optional audio bus triggering and analysis feature is present.
CONFIGuration:BUSWAVEFORMS:CAN?	This query returns a boolean value to indicate whether the optional CAN bus triggering and analysis feature is present.
CONFIGuration:BUSWAVEFORMS:ETHERNET?	This query returns a boolean value to indicate whether the optional Ethernet triggering and analysis feature is present.
CONFIGuration:BUSWAVEFORMS:FLEXRAY?	This query returns a boolean value to indicate whether the optional FlexRay bus triggering and analysis feature is present.
CONFIGuration:BUSWAVEFORMS:I2C?	This query returns a boolean value to indicate whether the optional I ² C bus triggering and analysis feature is present.
CONFIGuration:BUSWAVEFORMS:LIN?	This query returns a boolean value to indicate whether the optional LIN bus triggering and analysis feature is present.
CONFIGuration:BUSWAVEFORMS:MIL1553B?	This query returns a boolean value to indicate whether the optional MIL-STD-1553 bus triggering and analysis feature is present.
CONFIGuration:BUSWAVEFORMS:NUMBUS?	This query returns the number of bus waveforms.
CONFIGuration:BUSWAVEFORMS:PARALLEL?	This query returns a boolean value to indicate whether the parallel bus triggering and analysis feature is present.
CONFIGuration:BUSWAVEFORMS:RS232C?	This query returns a boolean value to indicate whether the optional RS232 bus triggering and analysis feature is present.
CONFIGuration:BUSWAVEFORMS:SPI?	This query returns a boolean value to indicate whether the optional SPI bus triggering and analysis feature is present.
CONFIGuration:BUSWAVEFORMS:USB?	This query returns a boolean value to indicate whether the USB bus triggering and analysis feature is present.
CONFIGuration:BUSWAVEFORMS:USB:HS?	This query returns a boolean value to indicate whether the high-speed USB bus triggering and analysis feature is present.

Table 2-17: Configuration Commands (cont.)

Command	Description
CONFIGuration:DIGITAL:MAGNIVU?	This query returns a boolean value to indicate whether the instrument supports the MagniVu feature for digital channels. If there are no digital channels, the value returned is 0.
CONFIGuration:DIGITAL:MAXSAMPLERate?	This query returns the maximum sample rate for digital channels, in samples per second.
CONFIGuration:DIGITAL:NUMCHANnels?	This query returns the number of digital channels.
CONFIGuration:EXTVIDEO?	This query returns a boolean value to indicate whether the optional extended video trigger features are present.
CONFIGuration:HISTOGRAM?	This query returns a boolean value to indicate whether the waveform histogram feature is present.
CONFIGuration:NETWORKDRIVES?	This query returns a boolean value to indicate whether network drives are present.
CONFIGuration:NUMMEAS?	This query returns the number of periodic measurements.
CONFIGuration:REFS:NUMREFS?	This query returns the number of reference waveforms.
CONFIGuration:RF:ADVTRIG?	This query returns a boolean value to indicate whether the advanced RF trigger and analysis feature is present.
CONFIGuration:RF:MAXBANDWidth?	This query returns the maximum bandwidth, in Hertz, for RF channels. If there are no RF channels, the value returned is 0.
CONFIGuration:RF:NUMCHANnels?	This query returns the number of RF channels present.
CONFIGuration:ROSC?	This query returns a boolean value to indicate whether the instrument has an external reference oscillator (ROSC) input.

Cursor Command Group

Use the commands in the Cursor Command Group to control the cursor display and readout. You can use these commands to control the setups for cursor 1 and cursor 2, such as cursor position.

You can also use the commands to select one of the following cursor functions:

- **Off.** Turns off the display of all cursors.
- **Waveform Cursors.** Consists of two cursors. Waveform cursors enable you to conveniently measure waveform amplitude and time.
- **Screen Cursors.** Consists of two pairs of independent horizontal and vertical cursors. You can use these cursors to indicate an arbitrary position within the waveform display area.

Table 2-18: Cursor Commands

Command	Description
CURSor?	Returns cursor settings
CURSor:DDT?	Returns the cursor deltaY/deltaT (dY/dT) readout
CURSor:FUNCTion	This command specifies the cursor type
CURSor:HBArs?	Returns hbar cursor settings
CURSor:HBArs:DELta?	Returns hbars cursors vertical difference
CURSor:HBArs:POSITION<x>	This command specifies the hbar cursor<x> vertical position
CURSor:HBArs:UNIts	Returns hbar cursor units
CURSor:HBArs:USE	Sets the horizontal bar cursor measurement scale, for use with ratio cursors
CURSor:MODE	This command specifies whether cursors move in unison or separately
CURSor:SOUrce	This command specifies the cursor source, which can be one of channels 1–4, reference waveforms 1–4, math waveform, bus 1–4, digital channels 0– 15 (MSO/MDO models), the RF time domain traces, (MDO4000 models) or AUTO.
CURSor:VBArS?	This command specifies the position of vertical bar cursors
CURSor:VBArS:ALTERNATE<x>?	Returns the alternate readout for the waveform (Vbar) cursors
CURSor:VBArS:DELta?	Returns the horizontal difference between vbar cursors
CURSor:VBArS:HPOS<x>?	Returns the vertical value of the specified vertical bar tick
CURSor:VBArS:POSITION<x>	This command specifies the vbar cursor<x> horizontal position
CURSor:VBArS:UNIts	This command specifies the horizontal units for vbar cursors
CURSor:VBArS:USE	Sets the vertical bar cursor measurement scale
CURSor:VBArS:VDELta?	Returns the vertical difference between the two vertical bar cursor ticks
CURSor:XY:POLar:RADIUS:DELta?	Returns the difference between the cursors X radius and the cursor Y radius
CURSor:XY:POLar:RADIUS:POSITION<x>?	Returns the polar radius of the specified cursor
CURSor:XY:POLar:RADIUS:UNIts?	Returns the polar radius units
CURSor:XY:POLar:THETA:DELta?	Returns the XY cursor polar coordinate delta
CURSor:XY:POLar:THETA:POSITION<x>?	Returns the cursor X or cursor Y polar coordinate
CURSor:XY:POLar:THETA:UNIts?	Returns the cursor polar coordinate units
CURSor:XY:PRODUCt:DELta?	Returns the difference between the cursors X position and cursor Y position

Table 2-18: Cursor Commands (cont.)

Command	Description
CURSor:XY:PRODUCT:POSITION<x>?	Returns the position of the X or Y cursor used to calculate the X × Y cursor measurement
CURSor:XY:PRODUCT:UNIts?	Returns the XY cursor product units
CURSor:XY:RATIO:DELta?	Returns the ratio of the difference between the cursor X position and cursor Y position
CURSor:XY:RATIO:POSITION<x>?	Returns the X or Y position for the specified cursor
CURSor:XY:RATIO:UNIts?	Returns the X and Y cursor units for the ratio measurement
CURSor:XY:READOUT	This command specifies the XY cursor readout selection.
CURSor:XY:RECTangular:X:DELta?	Returns the cursor X delta value in rectangular coordinates
CURSor:XY:RECTangular:X:POSITION<x>	This command specifies the cursor X rectangular coordinates
CURSor:XY:RECTangular:X:UNIts?	Returns the Cursor X rectangular units
CURSor:XY:RECTangular:Y:DELta?	Returns The cursor Y delta value in rectangular coordinates
CURSor:XY:RECTangular:Y:POSITION<x> >	This command specifies the cursor Y rectangular coordinate
CURSor:XY:RECTangular:Y:UNIts?	Returns the cursor Y rectangular units

Display Command Group

Use the commands in the Display Command Group to change the graticule style, the display intensities, and to set the characteristics of the waveform display.

NOTE. *Your settings globally affect all displayed waveforms.*

Table 2-19: Display Commands

Command	Description
DISplay?	Returns current display settings
DISplay:CLOCK	This command specifies the display of the date/time stamp
DISplay:DIGital:HEIght	This command specifies the number of available digital waveform position slots
DISplay:TRIGFrequency	This command switches the trigger frequency readout on or off. The default is 0 (off).
DISplay:GRAticule	This command specifies the type of graticule that is displayed
DISplay:INTENSITY?	Returns all display intensity settings
DISplay:INTENSITY:BACKLight	This command specifies the backlight intensity for the display
DISplay:INTENSITY:GRAticule	This command specifies the graticule intensity for the display
DISplay:INTENSITY:WAVEform	This command specifies the intensity of the waveforms
DISplay:PERsistence	This command specifies the display persistence for analog waveforms. This affects the display only.

Table 2-19: Display Commands (cont.)

Command	Description
DISplay:STYle:DOTsonly	This command turns on or off the dots-only mode for the waveforms displayed in the time domain.
DISplay:XY	This command turns on or off the XY display mode.
MESSage	Sets or queries message box (screen annotation) parameters
MESSage:BOX	This command specifies the coordinates of the message box
MESSage:CLEAR	Clears the contents of the message box.
MESSage:SHOW	This command specifies the contents of the message box
MESSage:STATE	Controls the display of the message box

Ethernet Command Group

Use the commands in the Ethernet Command Group to set up the 10BASE-T or 100BASE-TX Ethernet remote interface.

Table 2-20: Ethernet Commands

Command	Description
ETHERnet:DHCPbootp	This command specifies the network initialization search for a DHCP/BOOTP server
ETHERnet:DNS:IPADdress	This command specifies the network Domain Name Server (Dns) IP address
ETHERnet:DOMAInname	This command specifies the network domain name
ETHERnet:ENET:ADDress?	Returns the Ethernet address value assigned to the oscilloscope
ETHERnet:GATEWay:IPADdress	This command specifies the remote interface gateway IP address
ETHERnet:HTTTPort	This command specifies the remote interface HTTP port value
ETHERnet:IPADdress	This command specifies the IP address assigned to the oscilloscope
ETHERnet:NAME	This command specifies the network name assigned to the oscilloscope
ETHERnet:PASSWord	This command specifies the Ethernet access password
ETHERnet:PING	Causes the oscilloscope to ping the gateway IP address
ETHERnet:PING:STATus?	Returns the results from pinging the gateway IP address
ETHERnet:SUBNETMask	This command specifies the remote interface subnet mask value

File System Command Group

Use the commands in the File System Command Group to help you use CompactFlash and USB media. You can use the commands to do the following:

- List the contents of a directory
- Create and delete directories
- Create, read, rename, or delete a file
- Format media

When using these commands, keep the following points in mind:

- File arguments are always enclosed within double quotes:
"D:/MYDIR/TEK00001.SET"
- File names follow the non-case sensitive, MSDOS format:
[DRIVE:][\PATH\]filename
- Path separators may be either forward slashes (/) or back slashes (\)

NOTE. *Using back slash as a path separator may produce some unexpected results, depending on how your application treats escaped characters. Many applications recognize the sequence of back slash followed by an alphabetic character as an escaped character, and, as such, interpret that alphabetic character as a control character. For example, the sequence "\n" may be interpreted as a newline character; "\t" may be interpreted as a tab character. To ensure that this interpretation does not occur, you can use double back slashes. For example, "D:\\testfile.txt".*

Table 2-21: File System Commands

Command	Description
FILESystem?	Returns the file system state
FILESystem:COPy	This command copies a named file to a new file.
FILESystem:CWD	This command specifies the current working directory for FILESystem commands
FILESystem:DELEte	Deletes a named file or directory
FILESystem:DIR?	Returns a list of directory contents
FILESystem:FORMat	Formats a named drive
FILESystem:FREESpace?	Returns the number of bytes of free space on the current drive
FILESystem:LDIR?	Returns a semicolon separated list of every file and directory in a folder.
FILESystem:MKDir	Creates a new directory
FILESystem:MOUNT:AVAILable?	This query returns a comma-separated list of available drive letters that can be used for mounting network drives.
FILESystem:MOUNT:DRIVE	This command attempts to mount the network drive specified by the quoted string argument.

Table 2-21: File System Commands (cont.)

Command	Description
FILESystem:MOUNT:LIST?	This query returns a comma-separated list of the mounted network drives, including the drive letter, server identity (DNS name or IP address), mount path and type. If no network drives are mounted, an empty string is returned.
FILESystem:READFile	Writes the contents of the specified file to the specified interface
FILESystem:REName	Assigns a new name to an existing file
FILESystem:RMDir	Deletes a named directory
FILESystem:UNMOUNT:DRive	This command attempts to un-mount the network drive specified by the quoted string argument.
FILESystem:WRITEFile	Writes the specified block data to the oscilloscope current working directory

Hard Copy Command Group

Use the commands in the Hard Copy Command Group to make hard copies. PictBridge commands belong to a separate group. (See page 2-35, *PictBridge Command Group*.)

Table 2-22: Hard Copy Commands

Command	Description
HARDCopy	Sends a copy of the screen display to the selected printer
HARDCopy:ACTIVEprinter	This command specifies the currently active printer
HARDCopy:INKSaver	Changes hard copy output to print color traces and graticule on a white background
HARDCopy:LAYout	This command specifies the page orientation for hard copy
HARDCopy:PREVIEW	Previews the current screen contents with the InkSaver palette applied
HARDCopy:PRINTer:ADD	Adds a network printer to the list of available printers
HARDCopy:PRINTer:DELeTe	Removes a network printer from the list of available printers
HARDCopy:PRINTer:LIST?	Returns the list of currently attached printers
HARDCopy:PRINTer:REName	Renames a network printer in the list of available printers

Histogram Command Group

Use the commands in the Histogram Command Group to set up a histogram for measurements.

Table 2-23: Histogram Commands

Command	Description
HISTogram?	Returns all histogram parameters
HISTogram:BOX	This command specifies the histogram box coordinates

Table 2-23: Histogram Commands (cont.)

Command	Description
HIStogram:COUNT	Clears the histogram count and statistics
HIStogram:DATA?	Returns the histogram data
HIStogram:DISPlay	This command specifies the scaling of the histogram display
HIStogram:END?	Returns the time of the last bin of the histogram
HIStogram:MODE	This command specifies the type of the histogram, vertical or horizontal
HIStogram:SOUrce	Sets or queries the source used to create the histogram
HIStogram:STARt?	Returns the time of the first bin of the histogram

Horizontal Command Group

Use the commands in the Horizontal Command Group to control the oscilloscope horizontal parameters.

Table 2-24: Horizontal Commands

Command	Description
HORizontal?	Returns settings for the horizontal commands
HORizontal:DELay:MODE	This command specifies the horizontal delay mode
HORizontal:DELay:TIME	This command specifies the horizontal delay time
HORizontal:DIGital:RECOrdlength:MAGnivu?	Returns the record length of the MagniVu digital acquisition
HORizontal:DIGital:RECOrdlength:MAIn?	Returns the record length of the main digital acquisition.
HORizontal:DIGital:SAMPLERate:MAGnivu?	Returns the sample rate of the Magnivu digital acquisition
HORizontal:DIGital:SAMPLERate:MAIn?	Returns the sample rate of the main digital acquisition
HORizontal:POSition	This command specifies the horizontal position, in percent, that is used when delay is off
HORizontal:PREViewstate?	Returns the display system preview state
HORizontal:RECOrdlength	This command specifies the record length.
HORizontal:SCALE	This command specifies the horizontal scale

Mark Command Group

Use the commands in the Mark Command Group to identify areas of the acquired waveform that warrant further investigation.

Table 2-25: Mark Commands

Command	Description
MARK	Move to the next or previous mark on the waveform or returns all learnable settings from the mark commands
MARK:CREATE	Creates a mark on a particular waveform or all waveforms in a column
MARK:DELEte	Deletes a mark on a particular waveform, all waveforms in a column, or all marks
MARK:FREE?	Returns how many marks are free to be used
MARK:SAVEALL	This command saves all current marks on waveforms in the time domain to an internal memory location. (This is equivalent to pressing the "Save All Marks" button in the Search button menu on the front panel.) In order to retrieve the information, use the query form of MARK:USERLIST .
MARK:SElected:END?	Returns the end of the selected mark, in terms of 0 to 100% of the waveform
MARK:SElected:FOCUS?	Returns the focus of the selected mark, in terms of 0 to 100% of the waveform
MARK:SElected:MARKSINCOlumn?	Returns how many marks are in the current zoom pixel column
MARK:SElected:OWNer?	Returns the owner of the selected mark
MARK:SElected:SOURCe?	Returns the source waveform of the selected mark
MARK:SElected:START?	Returns the start of the selected mark, in terms of 0 to 100% of the waveform
MARK:SElected:STATE?	Returns the on or off state of the selected mark
MARK:SElected:ZOOm:POSition?	Returns the position of the selected mark, in terms of 0 to 100% of the upper window
MARK:TOTal?	Returns how many marks are used
MARK:USERLIST	The command creates a single user mark on a waveform in the time domain. The arguments consist of an enumeration specifying the source waveform, followed by 7 time mark parameters. You can create up to 1,024 marks. To save all the marks to memory, use the command <code>MARK : SAVEALL TOUSER</code> .

Mask Command Group

Use the commands in the Mask Command Group to perform mask and limit testing, useful for long-term signal monitoring, characterizing signals during design, or testing on a production line. The commands simplify many tasks, such as conducting pass/fail tests in search of glitches or other waveform anomalies, comparing a signal against a known good signal, or against a standard or custom mask, counting hits against specific mask segments, and much more.

NOTE. In order to use Mask commands, you need to install an optional Limit and mask test application module, Tektronix part number DPO4LMT. Also, ≥ 350 MHz bandwidth models are recommended for telecommunication standards > 55 Mb/s.

NOTE. To ensure that Mask commands are enabled, use the command `APPLication:TYPE LIMITMask`.

There are three categories of masks available:

Standard The instrument has a built-in set of pre-defined standard telecommunications masks (see the `MASK:STANDARD` command for a complete list). Although these masks are non-editable, they can be copied and used to initialize user-defined custom masks.

Limit Test: Limit testing is used to compare a tested signal against a known good or "golden" version of the same signal with user-defined vertical and horizontal tolerances. These non-editable masks are created using a Reference waveform or template. Use the `MASK:TEMPLATE` commands for limit testing.

Custom: (also referred to in this document as “user mask”). You can create custom masks and tailor them to your own specific testing requirements. These commands provide granular control over the points of the mask and offer a variety of testing options. For instance, you can specify test duration either by number of waveforms or by time, or specify a violation threshold that must be met before considering a test a failure, or specify an action (such as writing to a file or sending an SRQ) that is to be performed upon a violation, a test failure, or test completion. Use `MASK:CUSTOM` and then the `:MASK:USER` commands to create user-defined custom masks.

A series of examples showing how to use mask commands for typical tasks is included as an appendix. (See page E-1, *Mask/Limit Command Sequence Examples*.)

Table 2-26: Mask commands

Command	Description
<code>APPLICATION:TYPE</code>	When a mask/limit or power test application module is installed, one of the associated test types is always selected by default. This command allows the test type to be changed from the default.
<code>MASK:COPY:SOURCE</code>	Specifies the standard mask that is to be copied to a user created custom mask.
<code>MASK:COPY:USER</code>	Copies the specified standard mask to a user created custom mask.
<code>MASK:COUNT</code>	Resets to zero the number of hits and failures for all mask segments.
<code>MASK:COUNT:FAILURES?</code>	Returns the number of pass/fail mask tests that have failed
<code>MASK:COUNT:HITS?</code>	This query returns the sum of all hits in all mask segments.
<code>MASK:COUNT:SEG<x>:HITS?</code>	This query returns the number of hits for the specified mask segment.
<code>MASK:COUNT:TESTS?</code>	Returns the number of pass/fail tests that have occurred
<code>MASK:COUNT:VIOLATIONS?</code>	Returns the number of test violations that have occurred in the current pass/fail test.
<code>MASK:COUNT:WAVEFORMS?</code>	Returns the number of waveforms that have been acquired and processed during pass/fail mask testing.
<code>MASK:CUSTOM</code>	Sets the user-defined custom mask to its initialized state, or copies the currently active mask to the user-defined custom mask.
<code>MASK:DISPLAY</code>	Controls whether a user-defined custom mask is displayed on the screen.
<code>MASK:LOCK</code>	Locks the mask to the waveform so that any changes made to the horizontal and/or vertical scale settings of the waveform will redraw the mask segments in proportion.

Table 2-26: Mask commands (cont.)

Command	Description
<code>MASK:MARgin:PERCent</code>	Sets or returns the tolerance for the mask test. A positive value expands the mask and a negative margin shrinks the mask by the specified percentage.
<code>MASK:SOUrce</code>	Specifies the mask source waveform to be used during pass/fail mask testing
<code>MASK:STANdard</code>	Replaces the existing mask, if any, with a specified standard mask.
<code>MASK:STOPOnviolation</code>	Stops the waveform acquisitions upon the first occurrence of a waveform violation.
<code>MASK:TEMPLate:CREATEmask</code>	Causes a template mask to be created for limit testing, based on the settings of the <code>MASK:TEMPLate:SOUrce</code> , <code>MASK:TEMPLate:TOLerance:HORizontal</code> , and <code>MASK:TEMPLate:VERTical</code> commands.
<code>MASK:TEMPLate:SOUrce</code>	Specifies the source waveform to be used to create a mask template for limit testing.
<code>MASK:TEMPLate:TOLerance:HORizontal</code>	Specifies the +/- horizontal limit (tolerance) for a mask template to be used for limit testing.
<code>MASK:TEMPLate:TOLerance:VERTical</code>	Specifies the +/- vertical limit (tolerance) for a mask template to be used for limit testing.
<code>MASK:TEST:AUXout:COMPLetion</code>	Causes the instrument to send a TTL signal to the AUX:out port whenever a pass/fail mask test completes.
<code>MASK:TEST:AUXout:FAILure</code>	Causes the instrument to send a TTL signal to the AUX:out port whenever a pass/fail mask test fails.
<code>MASK:TEST:COMPLetion:CRITerion</code>	Specifies the criterion to be used for test completion (either by waveform or time) during pass/fail mask testing.
<code>MASK:TEST:DELay</code>	Specifies the amount of time, in seconds, the instrument should wait after the start of pass/fail mask testing before it evaluates the waveforms.
<code>MASK:TEST:HARDCopy</code>	Causes the instrument to generate a screen hard copy to the default printer as soon as a pass/fail mask test fails, using the current instrument hard copy settings
<code>MASK:TEST:REPeat</code>	Causes the mask test cycle to continuously repeat upon the completion of the previous test cycle.
<code>MASK:TEST:SAVEIMAGE</code>	Causes the instrument to copy the screen image to a USB media file or a mounted network drive if a pass/fail mask test fails.
<code>MASK:TEST:SAVEWFM</code>	Copies the waveform data from all active channels to a file if a pass/fail mask test fails.
<code>MASK:TEST:SRQ:COMPLetion</code>	Causes the instrument to send an SRQ command when a pass/fail mask test completes
<code>MASK:TEST:SRQ:FAILure</code>	Causes the instrument to send an SRQ command when a pass/fail mask test fails.
<code>MASK:TEST:STATE</code>	Turns the pass/fail mask test on or off.
<code>MASK:TEST:STATus?</code>	Indicates the result of a pass/fail mask test.
<code>MASK:TEST:STOP:FAILure</code>	Causes the instrument to stop acquiring data when a pass/fail mask test fails.
<code>MASK:TEST:THReshold</code>	Specifies the number of failed tested waveforms needed in a pass/fail mask test to cause the test status to change to 'Failing'.
<code>MASK:TEST:TIME</code>	Specifies the duration, in seconds, the instrument should run a pass/fail mask test.
<code>MASK:TEST:WAVEform</code>	Specifies the number of waveforms the instrument should test during a pass/fail mask test.
<code>MASK:USER:AMPLitude</code>	Specifies the nominal pulse amplitude, in volts, to be used for a user-defined custom mask.
<code>MASK:USER:HSCALE</code>	Specifies the nominal timing resolution, in time/division, to be used to draw a user-defined custom mask pulse shape.

Table 2-26: Mask commands (cont.)

Command	Description
<code>MASK:USER:HTRIGPOS</code>	Specifies the nominal trigger position (pulse leading edge) to be used to draw a user-defined custom mask, as a fraction of the display width.
<code>MASK:USER:LABel</code>	This command specifies a user-defined label for a custom mask.
<code>MASK:USER:RECOrdlength</code>	Specifies the nominal record length to be used for pulse mask testing with a user-defined custom mask.
<code>MASK:USER{:SEG<x>}:MASK<x>}</code>	This command deletes the specified mask segment from the current mask segment. There can be up to 8 segments.
<code>MASK:USER{:SEG<x>}:MASK<x>}:NR_Pt?</code>	This query returns the number of points that make up the specified mask segment of a user-defined custom mask. There can be up to 8 segments.
<code>MASK:USER{:SEG<x>}:MASK<x>}:POINTS</code>	This command specifies the x and y coordinates of the points that make up the segment 1–8. The units are normal waveform units. The x-coordinate is specified relative to the trigger. The points are specified as a sequence of (x,y) points which traverse the boundary of the segment in a counter-clockwise direction.
<code>MASK:USER:TRIGTOSAMP</code>	Specifies the nominal time, in seconds, from the (leading edge) trigger position to the pulse bit sampling position, to be used for testing with a user-defined custom mask.
<code>MASK:USER:VOFFSet</code>	Specifies the nominal value, in volts, to be used to vertically offset the input channels for a user-defined custom mask.
<code>MASK:USER:VPOS</code>	Specifies the nominal value, in divisions, to be used to vertically position the input channels for a user-defined custom mask.
<code>MASK:USER:VSCALE</code>	Specifies the nominal value, in volts per division, to be used to vertically scale the input channels for a user-defined custom mask.
<code>MASK:USER:WIDth</code>	Specifies the nominal bit width value, in seconds, to be used for a user-defined custom mask.
<code>RECAI:MASK</code>	This command recalls the mask from a specified file that was saved to the current working directory using the <code>SAVE:MASK</code> command.
<code>SAVE:MASK</code>	This command saves the current mask definition to the file specified with a quoted string, into the current working directory. You can recall the mask from the file by using the command <code>RECAI:MASK</code> .

Math Command Group

Use the commands in the Math Command Group to create and define a math waveform. First, specify the math type using [MATH\[1\]:TYPE](#) – either dual waveform, FFT, advanced math, or spectrum math. Then, using the [MATH\[1\]:DEFine](#) command, you can build simple math expressions that contain no computation, such as `:MATH:DEFine CH1`. You can also build complex expressions that consist of up to 128 characters in a quoted string, and comprise many sources, functions, and operands, such as `:MATH:DEFINE "SINE(CH1)*(VAR1+CH2)*CH3 - CAREA(CH4)"`.

Note that when your program updates a live waveform or alters a reference waveform, the math waveforms containing those waveforms as sources are also updated to reflect the changes.

NOTE. *If you set the math type to FFT, your math expression can only be the FFT of a live analog or reference waveform. However, if the math type is set to ADVANCED, then you can include FFT as part of a math expression. See the examples of advanced math in [MATH\[1\]:DEFine](#) for more information.*

Table 2-27: Math Commands

Command	Description
MATH[1]?	Returns the definition of the math waveform
MATH[1]:DEFine	This command specifies the current math function as a text string.
MATH[1]:HORizontal:SCALE	This command specifies the math horizontal display scale for FFT or for Dual Math waveforms
MATH[1]:HORizontal:UNIts	Returns the math waveform horizontal unit value
MATH[1]:LABel	Sets or queries the waveform label for the math waveform
MATH[1]:SPECTral:MAG	This command specifies the units of spectral magnification in the math string
MATH[1]:SPECTral:WINDow	This command specifies the window function for math waveform spectral input data
MATH[1]:VERTical:POSition	This command specifies the vertical position of the currently selected math type
MATH[1]:VERTical:SCALE	This command specifies the vertical scale of the currently selected math type
MATH[1]:VERTical:UNIts	Returns the math waveform vertical units
MATH[1]:HORizontal:POSition	This command specifies the math horizontal display position for FFT or (non-live) math reference waveforms
MATH[1]:TYPE	This command specifies the math waveform type (DUAL, FFT, ADVANCED or SPECTRUM). This command is used along with <code>MATH:DEFine</code> .
MATHVAR?	Returns all numerical values used within math expressions
MATHVAR:VAR<x>	This command specifies numerical values you can use within math expressions

Measurement Command Group

Use the commands in the Measurement Command Group to control the automated measurement system.

Up to eight automated measurements can be displayed on the screen. In the commands, these measurement readouts are named MEAS<x>, where <x> is the measurement number.

In addition to the eight displayed measurements, the measurement commands let you specify an additional measurement, IMMEd. The immediate measurement has no front-panel equivalent. Immediate measurements are never displayed. Because they are computed only when needed, immediate measurements slow the waveform update rate less than displayed measurements.

To obtain measurement results, use the [MEASUrement:MEAS<x>:VALue?](#) query for displayed results or the [MEASUrement:IMMed:VALue?](#) query for immediate measurements.

Measurement commands can set and query measurement parameters. You can assign some parameters, such as waveform sources, differently for each measurement. Other parameters, such as reference levels, have only one value, which applies to all measurements.

Readout values for the 8 displayed measurements are updated periodically. As such, queries of these measurement values may return 9.91E+37, which represents NaN (not a number) and a measurement warning event (e.g. 2225. “Measurement error. No waveform to measure”) when the measurement is not yet computed. Immediate measurement queries will return values once the measurement has been computed.

Example of Immediate Measurements

An example command sequence follows that illustrates immediate measurements of Cycle Mean on channel 1:

```
:MEASUrement:IMMed:SOUrce1 CH1
:MEASUrement:IMMed:TYPe CMEan
:MEASUrement:IMMed:VALue? -18.5568E-3
:MEASUrement:IMMed:VALue?;VALue?;VALue?
-21.6400E-3;-23.8023E-3;-21.0064E-3
```

Table 2-28: Measurement Commands

Command	Description
MEASUrement?	Returns all measurement parameters
MEASUrement:CLEARSNapshot	Removes the measurement snapshot display
MEASUrement:GATing	This command specifies the measurement gating
MEASUrement:IMMed?	Returns all immediate measurement setup parameters

Table 2-28: Measurement Commands (cont.)

Command	Description
MEASUrement:IMMed:DElay?	Returns information about the immediate delay measurement
MEASUrement:IMMed:DElay:DIRectioN	This command specifies the search direction to use for immediate delay measurements
MEASUrement:IMMed:DElay:EDGE<x>	This command specifies the slope of the edge used for immediate delay “from” and “to” waveform measurements
MEASUrement:IMMed:SOUrce<x>	This command specifies the “from” source for all single channel immediate measurements This command specifies the source to measure “to” for two-channel measurements
MEASUrement:IMMed:TYPe	This command specifies the type of the immediate measurement
MEASUrement:IMMed:UNIts?	Returns the units of the immediate measurement
MEASUrement:IMMed:VALue?	Returns the value of the immediate measurement
MEASUrement:INDICators?	Returns all measurement indicator parameters
MEASUrement:INDICators:HORZ<x>?	Returns the position of the specified horizontal measurement indicator
MEASUrement:INDICators:NUMHORZ?	Returns the number of horizontal measurement indicators currently being displayed
MEASUrement:INDICators:NUMVERT?	Returns the number of vertical measurement indicators currently being displayed
MEASUrement:INDICators:STATE	This command specifies the state of visible measurement indicators
MEASUrement:INDICators:VERT<x>?	Returns the value of the specified vertical measurement indicator
MEASUrement:MEAS<x>?	Returns all measurement parameters
MEASUrement:MEAS<x>:COUNt?	Returns the number of values accumulated since the last statistical reset
MEASUrement:MEAS<x>:DElay?	Returns the delay measurement parameters for the specified measurement
MEASUrement:MEAS<x>:DElay:DIRectioN	This command specifies the search direction to use for delay measurements
MEASUrement:MEAS<x>:DElay:EDGE<x>	This command specifies the slope of the edge to use for delay “from” and “to” waveform measurements
MEASUrement:MEAS<x>:MAXimum?	Returns the maximum value found since the last statistical reset
MEASUrement:MEAS<x>:MEAN?	Returns the mean value accumulated since the last statistical reset
MEASUrement:MEAS<x>:MINimum?	Returns the minimum value found since the last statistical reset
MEASUrement:MEAS<x>:SOUrce<x>	This command specifies the “from” source for all single channel immediate measurements This command specifies the source to measure “to” for two-channel measurements
MEASUrement:MEAS<x>:STATE	This command specifies whether the specified measurement slot is computed and displayed
MEASUrement:MEAS<x>:STDdev?	Returns the standard deviation of values accumulated since the last statistical reset
MEASUrement:MEAS<x>:TYPe	This command specifies the measurement<x> type
MEASUrement:MEAS<x>:UNIts?	Returns measurement<x> units
MEASUrement:MEAS<x>:VALue?	Returns the value of measurement<x>

Table 2-28: Measurement Commands (cont.)

Command	Description
MEASUrement:MEthod	This command specifies the method used for calculating reference levels
MEASUrement:REFLevel?	Returns the current reference level parameters
MEASUrement:REFLevel:ABSolute:HIGH	This command specifies the top reference level for rise time
MEASUrement:REFLevel:ABSolute:LOW	This command specifies the low reference level for rise time
MEASUrement:REFLevel:MEthod	This command specifies the method for assigning high and low reference levels
MEASUrement:REFLevel:PERCent:HIGH	This command specifies the top reference percent level for rise time
MEASUrement:REFLevel:PERCent:LOW	This command specifies the low reference percent level for rise time
MEASUrement:REFLevel:ABSolute:MID<x>	This command specifies the mid reference level for the specified channel in absolute volts
MEASUrement:REFLevel:PERCent:MID<x>	This command specifies the mid reference level for the specified channel in percent
MEASUrement:STATIstics	Clears or returns all of the statistics accumulated for all period measurements (MEAS1 through MEAS4)
MEASUrement:STATIstics:MODE	Turns measurement statistics on or off
MEASUrement:STATIstics:WEIghing	Controls the responsiveness of the mean and standard deviation to waveform changes

Miscellaneous Command Group

Use the commands in the Miscellaneous Command Group to perform actions that do not fit into other categories.

Table 2-29: Miscellaneous Commands

Command	Description
APPLIcation:LICENSE:SLOT<x>:LOCation?	This query returns the application license location. < x> can be slot number 1–4.
APPLIcation:LICENSE:SLOT<x>:TRANSFER	You can use this command to transfer an application license from the module to internal memory in the oscilloscope, and transfer it back.
APPLIcation:LICENSE:SLOT<x>:TYPE?	This query returns the application license type of the module that is currently inserted in the specified application module slot.
APPLIcation:TYPE	When a mask/limit or power test application module is installed, one of the associated test types is always selected by default. This command allows the test type to be changed from the default.
AUTOSet	Sets the vertical, horizontal and trigger controls to provide a stable display of the appropriate waveform. This is equivalent to pressing the front panel Autoset button
AUTOSet:ENable	Enables or disables the autoset feature

Table 2-29: Miscellaneous Commands (cont.)

Command	Description
AUXOut:SOUrce	This command specifies the source for the auxiliary-out port.
CLEARMenu	Clears the current menu from the display
DATE	This command specifies the date displayed by the oscilloscope
*DDT	This command specifies the commands that will be executed by the group execute trigger
DESkew	Causes the deskew values for all channels to be set to the recommended values
DESkew:DISPlay	This command specifies the state of the deskew table display
ETHERnet:LXI:LAN:PASSWord:ENABLE	This command controls whether LXI (LAN eXtensions for Instrumentation) is password protected.
ETHERnet:LXI:LAN:PASSWord:ESCOPEENABLE	This command controls whether to use the LXI password for e*Scope (effectively equal to enabling password protection for e*Scope). With e*Scope, you can access any Internet-connected MSO/DPO4000B or MDO4000 Series Oscilloscope from a web browser.
ETHERnet:LXI:LAN:RESET	This command resets the LXI local area network. The items which this command reset include: DHCP/BOOTP, mDNS and DNS-SD, e*Scope password protection, LXI password protection, and e*Scope and LXI password.
ETHERnet:LXI:LAN:SERVICENAME	This command specifies the mDNS service name used for the LXI interface.
ETHERnet:LXI:LAN:STATus?	This query returns the LXI network status.
ETHERnet:NETWORKCONFig	This command specifies the Ethernet network configuration setting.
FPAnel:HOLD	This command is used to emulate the push-and-hold feature of the Cursor button.
FPAnel:PRESS	Simulates the action of pressing a specified front-panel button
FPAnel:TURN	Simulates the action of turning a specified front-panel control knob
GPIBUsb:ADDress?	Returns the current GPIB address
GPIBUsb:ID?	Returns the identification string of the connected adaptor module and firmware version
HEADer :HDR	This command specifies the Response Header Enable State
ID?	Returns identifying information about the oscilloscope and its firmware
*IDN?	Returns the same information as the ID? command except the data is formatted according to Tektronix Codes & Formats
LANGuage	This command specifies the user interface display language
LOCK	This command specifies the front panel lock state
*LRN?	Returns a listing of oscilloscope settings
NEWpass	Changes the password for user protected data
PASSWord	Enables the *PUD and NEWpass set commands
PAUSE	This command causes the interface to pause the specified number of seconds before processing any other commands.
REM	Specifies a comment, which is ignored by the oscilloscope
ROSc:SOUrce	This command specifies the source for the time base reference oscillator. The reference oscillator locks to this source. Depending on the command argument that you specify, you can use an external reference or use the internal crystal oscillator as the time base reference.

Table 2-29: Miscellaneous Commands (cont.)

Command	Description
ROSc:STATE?	This query returns an enumeration value that indicates the lock state of the reference oscillator specified by the ROsc:SOURCE command.
SET?	Returns a listing of oscilloscope settings
SOCKETServer:ENable	This command enables or disables the socket server which supports a Telnet or other TCPIP socket connection to send commands and queries to the instrument.
SOCKETServer:PORT	This command sets the TCPIP port for the socket server connection.
SOCKETServer:PROTOCOL	This command sets the protocol for the socket server.
TEKSecure	Initializes both waveform and setup memories
TIME	This command specifies the time displayed by the oscilloscope
TOTALuptime?	Returns the total number of hours that the oscilloscope has been turned on since the nonvolatile memory was last programmed
*TRG	Performs the group execute trigger (GET)
*TST?	Tests the interface and returns the status
UNLock	Unlocks front panel
USBTMC?	Returns the USBTMC information used by the USB hosts to determine the instrument interfaces.
USBTMC:PRODUCTID:DECimal?	This query returns the product ID number as a decimal.
USBTMC:PRODUCTID:HEXadecimal?	This query returns the product ID number as a decimal.
USBTMC:SERIALnumber?	This query returns the serial number of the oscilloscope.
USBTMC:VENDORID:DECimal?	This query returns the vendor ID number as a decimal.
USBTMC:VENDORID:HEXadecimal?	This query returns the vendor ID number as a hexadecimal value. The hexadecimal vendor ID for Tektronix instruments is 0x699.
VERBose	This command specifies the verbose state

PictBridge Command Group

Use the commands in the PictBridge Command Group to store printer settings.

Table 2-30: PictBridge Commands

Command	Description
PICTBridge:DATEPrint	Enables or disables printing the date on the print output
PICTBridge:DEFault	Sets the arguments for all PICTBridge commands to their default values
PICTBridge:IDPrint	Enables or disables printing the oscilloscope model and serial number on the print output
PICTBridge:IMAGESize	This command specifies the image print size
PICTBridge:PAPERSize	Sets the output print paper size
PICTBridge:PAPERType	This command specifies the paper type

Table 2-30: PictBridge Commands (cont.)

Command	Description
PICTBridge:PRINTQual	This command specifies the output print quality
USBDevice:CONFigure	Enables or disables the rear USB port for use with Pictbridge printers

Power Command Group

Use the commands in the Power Command Group for power analysis. The power measurements include:

- Power quality
- Switching loss
- Safe operating area
- Harmonics
- Ripple
- Modulation analysis

This command group is available when the DPO4PWR application module is installed.

NOTE. To ensure that the power commands are enabled, use the command [APPLication:TYPe LIMITMask](#).

Table 2-31: Power Commands

Command	Description
APPLication:TYPe	When a mask/limit or power test application module is installed, one of the associated test types is always selected by default. This command allows the test type to be changed from the default.
POWer:CURRENtSOurce	This command specifies the current source for the power application
POWer:QUALity:VCREStfactor?	This query returns the measurement for the voltage crest factor.
POWer:DISPlay	This command specifies the display state for the power application
POWer:GATEsOurce	This command specifies the gate source for the power application
POWer:GATing	This command specifies the power application gating
POWer:HARMonics:DISPlay:SElect	This command specifies the harmonics to be displayed when the harmonics standard is None
POWer:HARMonics:DISPlay:TYPe	This command specifies the display type for harmonics tests
POWer:HARMonics:FREQRef	This command specifies the frequency reference waveform for harmonics tests
POWer:HARMonics:FREQRef:FIXEDFREQValue	This command specifies the fixed reference frequency value for harmonics measurements
POWer:HARMonics:IEC:CLAss	This command specifies the filtering class for IEC harmonics

Table 2-31: Power Commands (cont.)

Command	Description
POWer:HARMonics:IEC:FILTER	This command specifies the enabled state for filtering of IEC harmonics
POWer:HARMonics:IEC:FUNDamental	This command specifies the fundamental current for IEC harmonics
POWer:HARMonics:IEC:GROUPing	This command specifies the enabled state for grouping of IEC harmonics
POWer:HARMonics:IEC:INPUTPOWer	Sets of returns the class D input power for IEC harmonics
POWer:HARMonics:IEC:LINEFREQuency	This command specifies the line frequency for the IEC standard
POWer:HARMonics:IEC:OBSPERiod	This command specifies the IEC observation period
POWer:HARMonics:IEC:POWERFACTOR	This command specifies the power factor for IEC harmonics
POWer:HARMonics:MIL:FUNDamental:CALCmethod	This command specifies the measurement method for the MIL harmonics fundamental frequency
POWer:HARMonics:MIL:FUNDamental:USER:CURrent	This command specifies RMS amperes for User calculation method
POWer:HARMonics:MIL:LINEFREQuency	This command specifies the line frequency for MIL-STD-1399 Section 300A harmonics tests
POWer:HARMonics:MIL:POWERLEVel	This command specifies the power level for MIL-STD-1399 Section 300A harmonics tests
POWer:HARMonics:NR_HARMonics	Sets of returns the number of harmonics (a value in the range of 20 to 400) when the harmonics standard is NONE
POWer:HARMonics:RESults:HAR<1-400>:FREQuency?	Returns the frequency of the harmonic
POWer:HARMonics:RESults:HAR<1-400>:IECMAX?	The IEC standard specifies harmonics measurements to be computed in windows of time, with each time window being nominally 200 ms. This returns the maximum of the RMS magnitude of the harmonic, computed across successive 200 ms time windows within an observation period entered by the user
POWer:HARMonics:RESults:HAR<1-400>:LIMit?	The IEC and MIL standards specify a limit for each harmonic magnitude. Returns the limit in absolute units, or as a percentage of the fundamental as specified by the standard. IEC Class C (Table 2) and MIL standards specify the limit as a percentage of the fundamental
POWer:HARMonics:RESults:HAR<1-400>:PHASE?	Returns the phase of the harmonic in degrees. The phase is measured relative to the zero-crossing of the reference waveform. When there is no reference waveform, the phase is relative to the fundamental component
POWer:HARMonics:RESults:HAR<1-400>:RMS:ABSolute?	Returns the RMS magnitude of the harmonic expressed in absolute units
POWer:HARMonics:RESults:HAR<1-400>:RMS:PERCent?	Returns the RMS magnitude of the harmonic expressed as a percentage of the fundamental
POWer:HARMonics:RESults:HAR<1-400>:TEST:IEC:CLASSALIMit?	Returns PASS, FAIL or NA. Specifies if the IEC Class A higher harmonic limit (and conditions) are met

Table 2-31: Power Commands (cont.)

Command	Description
<code>POWer:HARMonics:RESults:HAR<1-400>:TEST:IEC:NORMAL?</code>	Returns PASS, FAIL or NA. Specifies if the Normal IEC harmonic limits are met
<code>POWer:HARMonics:RESults:HAR<1-400>:TEST:IEC:POHCLIMit?</code>	Returns PASS, FAIL or NA. Specifies if the higher harmonic limit (and conditions) for the 21st and higher order odd harmonics are met
<code>POWer:HARMonics:RESults:HAR<1-400>:TEST:MIL:NORMAL?</code>	Returns the test result for the specified harmonic for the MIL-STD-1399 Section 300A testing standard
<code>POWer:HARMonics:RESults:IEC:FUNDamental?</code>	Returns the IEC fundamental frequency
<code>POWer:HARMonics:RESults:IEC:HARM3ALternate?</code>	Returns the IEC harmonics test result for the 3rd harmonic: PASS, FAIL or NA
<code>POWer:HARMonics:RESults:IEC:HARM5ALternate?</code>	Returns the IEC harmonics test result for the 5th harmonic: PASS, FAIL or NA
<code>POWer:HARMonics:RESults:IEC:POHC?</code>	Returns the IEC POHC measurement
<code>POWer:HARMonics:RESults:IEC:POHL?</code>	Returns the IEC POHL measurement
<code>POWer:HARMonics:RESults:IEC:POWer?</code>	Returns the IEC input power measurement
<code>POWer:HARMonics:RESults:IEC:POWERFactor?</code>	Returns the IEC power factor measurement
<code>POWer:HARMonics:RESults:PASSFail?</code>	Returns the overall harmonics test result: PASS, FAIL or NA
<code>POWer:HARMonics:RESults:RMS?</code>	Returns the root mean square value of the source waveform
<code>POWer:HARMonics:RESults:SAVe</code>	Saves the harmonic results to the specified file in CSV format
<code>POWer:HARMonics:RESults:THDF?</code>	Returns the Total Harmonic Distortion (THD) in percentage, measured as a ratio to the RMS value of the fundamental component of the source waveform
<code>POWer:HARMonics:RESults:THDR?</code>	Returns the Total Harmonic Distortion (THD) in percentage, measured as a ratio to the RMS value of the source waveform
<code>POWer:HARMonics:SOURce</code>	This command specifies the source waveform for harmonics tests
<code>POWer:HARMonics:STANDard</code>	This command specifies the standard for harmonics tests
<code>POWer:INDICators</code>	This command specifies the state of the measurement indicators for the power application
<code>POWer:MODulation:SOURce</code>	This command specifies the source waveform for modulation tests
<code>POWer:MODulation:TYPE</code>	This command specifies the modulation type
<code>POWer:QUALity:APPpwr?</code>	Returns the apparent power measurement
<code>POWer:QUALity:DISplay:APPpwr</code>	This command specifies the display state for the apparent power readout
<code>POWer:QUALity:DISplay:FREQuency</code>	This command specifies the display state for the frequency readout
<code>POWer:QUALity:DISplay:ICRESTfactor</code>	This command specifies the display state for the current crest factor readout
<code>POWer:QUALity:DISplay:IRMS</code>	This command specifies the display state for the rms current (IRMS) readout

Table 2-31: Power Commands (cont.)

Command	Description
POWer:QUALity:DISplay:PHASEangle	This command specifies the display state for the phase angle readout
POWer:QUALity:DISplay:POWERFACTOR	This command specifies the display state for the power factor readout
POWer:QUALity:DISplay:REACTpwr	This command specifies the display state for the reactive power readout
POWer:QUALity:DISplay:TRUEpwr	This command specifies the display state for the true power readout
POWer:QUALity:DISplay:VCRESTfactor	This command specifies the display state for the voltage crest factor readout
POWer:QUALity:DISplay:VRMS	This command specifies the display state for the rms voltage (VRMS) readout
POWer:QUALity:FREQREference	This command specifies the power quality frequency reference
POWer:QUALity:FREQuency?	Returns the frequency measurement
POWer:QUALity:ICRESTfactor?	Returns the current crest factor measurement
POWer:QUALity:IRMS?	Returns the rms current measurement
POWer:QUALity:PHASEangle?	Returns the phase angle measurement
POWer:QUALity:POWERFACTOR?	Returns the power factor measurement
POWer:QUALity:REACTpwr?	Returns the reactive power measurement
POWer:QUALity:TRUEpwr?	Returns the true power measurement
POWer:QUALity:VRMS?	Returns the rms voltage measurement
POWer:REFLevel:ABSolute	Sets the reference levels to their default unit values
POWer:REFLevel:ABSolute:HIGH	This command specifies the top reference level for rise time
POWer:REFLevel:ABSolute:LOW	This command specifies the low reference level for rise time
POWer:REFLevel:ABSolute:MID<x>	This command specifies the mid reference level for measurements
POWer:REFLevel:HYSteresis	This command specifies the measurement reference level hysteresis value
POWer:REFLevel:METHod	This command specifies the method used to calculate the 0% and 100% reference level
POWer:REFLevel:PERCent	Sets the reference levels to the default percentage values
POWer:REFLevel:PERCent:HIGH	This command specifies the top reference percent level for rise time
POWer:REFLevel:PERCent:LOW	This command specifies the low reference percent level for rise time
POWer:REFLevel:PERCent:MID<x>	This command specifies the mid reference percent level for waveform measurements
POWer:RIPPLE	Sets the vertical offset of the source waveform
POWer:RIPPLE:RESults:AMPLitude?	Returns the peak-to-peak ripple measurement
POWer:RIPPLE:RESults:MAX?	Returns the maximum of the peak-to-peak ripple measurements
POWer:RIPPLE:RESults:MEAN?	Returns the mean of the peak-to-peak ripple measurements
POWer:RIPPLE:RESults:MIN?	Returns the minimum of the peak-to-peak ripple measurement
POWer:RIPPLE:RESults:STDdev?	Returns the standard deviation of the peak-to-peak ripple measurements
POWer:RIPPLE:SOURce	This command specifies the source waveform for ripple tests
POWer:SOA:LINear:XMAX	This command specifies the user XMAX value for use in linear SOA calculations
POWer:SOA:LINear:XMIN	This command specifies the user XMIN value for use in linear SOA calculations

Table 2-31: Power Commands (cont.)

Command	Description
POWer:SOA:LINear:YMAX	This command specifies the user YMAX value for use in linear SOA calculations
POWer:SOA:LINear:YMIN	This command specifies the user YMIN value for use in linear SOA calculations
POWer:SOA:LOG:XMAX	This command specifies the user XMAX value for use in log SOA calculations
POWer:SOA:LOG:XMIN	This command specifies the user XMIN value for use in log SOA calculations
POWer:SOA:LOG:YMAX	This command specifies the user YMAX value for use in log SOA calculations
POWer:SOA:LOG:YMIN	This command specifies the user YMIN value for use in log SOA calculations
POWer:SOA:MASK:DEFine	This command specifies the X (volts) and Y (Amps) coordinates of the current SOA mask
POWer:SOA:MASK:MAXAmps	This command specifies the maximum current applied to SOA mask testing
POWer:SOA:MASK:MAXVolts	This command specifies the maximum voltage applied to SOA mask testing
POWer:SOA:MASK:MAXWatts	This command specifies the maximum power applied to SOA mask testing
POWer:SOA:MASK:NR_Pt?	Returns the number of mask points defined
POWer:SOA:MASK:STATE	This command specifies the state of the mask for SOA calculations
POWer:SOA:MASK:STOPOnviol	This command specifies the enabled state of the mask stop on violation condition
POWer:SOA:PLOTtYPe	This command specifies the SOA plot type
POWer:SOA:RESult:FAILures:QTY?	Returns the number of failures in the test
POWer:SOA:RESult:NUMAcq?	Returns the number of acquisitions in the test
POWer:SOA:RESult:STATE?	Returns the pass/fail state of the SOA test
POWer:STATIstics	Clears all the accumulated statistics of all measurements
POWer:STATIstics:MODE	Enables or disables the display of the measurement statistics
POWer:STATIstics:WEIghting	Sets the number of samples which are included for the statistics computations for mean and the standard deviation
POWer:SWLoss:CONDCalcmethod	This command specifies the power application switching loss conduction calculation method
POWer:SWLoss:CONDuction:ENERGY:MAX?	Returns the maximum conduction energy for the switching loss calculation
POWer:SWLoss:CONDuction:ENERGY:MEAN?	Returns the mean conduction energy for the switching loss calculation
POWer:SWLoss:CONDuction:ENERGY:MIN?	Returns the minimum conduction energy for the switching loss calculation
POWer:SWLoss:CONDuction:POWER:MAX?	Returns the maximum conduction power for the switching loss calculation
POWer:SWLoss:CONDuction:POWER:MEAN?	Returns the mean conduction power for the switching loss calculation
POWer:SWLoss:CONDuction:POWER:MIN?	Returns the minimum conduction power for the switching loss calculation
POWer:SWLoss:DISPlay	This command specifies the display selection for switching loss results
POWer:SWLoss:GATe:POLarity	This command specifies the switching loss gate polarity
POWer:SWLoss:GATe:TURNON	This command specifies the gate turn on level for switching loss power measurements
POWer:SWLoss:NUMCYCles?	Returns the number of cycles counted for the switching loss calculation

Table 2-31: Power Commands (cont.)

Command	Description
POWer:SWLoss:RDSON	This command specifies RDSON value for use in switching loss calculations when the conduction calculation method is RDSON
POWer:SWLoss:REFLevel:ABSolute:GATEMid	This command specifies the mid voltage reference level used in switching loss power measurements in volts
POWer:SWLoss:REFLevel:ABSolute:LOWCurrent	This command specifies the low current reference level used in switching loss power measurements in amperes
POWer:SWLoss:REFLevel:ABSolute:LOWVoltage	This command specifies the low voltage reference level used in switching loss power measurements in volts
POWer:SWLoss:REFLevel:PERCent:GATEMid	This command specifies the mid voltage reference level used in switching loss power measurements in percentage
POWer:SWLoss:REFLevel:PERCent:LOWCurrent	This command specifies the low current reference level used in switching loss power measurements in percentage
POWer:SWLoss:REFLevel:PERCent:LOWVoltage	This command specifies the low voltage reference level used in switching loss power measurements in percentage
POWer:SWLoss:TOFF:ENERGY:MAX?	Returns the maximum Toff energy switching loss calculation
POWer:SWLoss:TOFF:ENERGY:MEAN?	Returns the mean Toff energy switching loss calculation
POWer:SWLoss:TOFF:ENERGY:MIN?	Returns the minimum Toff energy switching loss calculation
POWer:SWLoss:TOFF:POWer:MAX?	Returns the maximum Toff power switching loss calculation
POWer:SWLoss:TOFF:POWer:MEAN?	Returns the mean Toff power switching loss calculation
POWer:SWLoss:TOFF:POWer:MIN?	Returns the minimum Toff power switching loss calculation
POWer:SWLoss:TOn:ENERGY:MAX?	Returns the maximum Ton energy switching loss calculation
POWer:SWLoss:TOn:ENERGY:MEAN?	Returns the mean Ton energy switching loss calculation
POWer:SWLoss:TOn:ENERGY:MIN?	Returns the minimum Ton energy switching loss calculation
POWer:SWLoss:TOn:POWer:MAX?	Returns the maximum Ton power switching loss calculation
POWer:SWLoss:TOn:POWer:MEAN?	Returns the mean Ton power switching loss calculation
POWer:SWLoss:TOn:POWer:MIN?	Returns the minimum Ton power switching loss calculation
POWer:SWLoss:TOTal:ENERGY:MAX?	Returns the maximum total energy switching loss calculation
POWer:SWLoss:TOTal:ENERGY:MEAN?	Returns the mean total energy switching loss calculation
POWer:SWLoss:TOTal:ENERGY:MIN?	Returns the minimum total energy switching loss calculation

Table 2-31: Power Commands (cont.)

Command	Description
POWer:SWLoss:TOTal:POWer:MAX?	Returns the maximum total power switching loss calculation
POWer:SWLoss:TOTal:POWer:MEAN?	Returns the mean total power switching loss calculation
POWer:SWLoss:TOTal:POWer:MIN?	Returns the minimum total power switching loss calculation
POWer:SWLoss:VCESat	This command specifies VCESAT value for use in switching loss calculations when the conduction calculation method is VCESAT
POWer:TYPe	This command specifies the power application measurement type
POWer:VOLTAGESource	This command specifies the voltage source for the power application

RF Command Group

The Tektronix MDO4000 Series Mixed Domain Oscilloscopes have a built-in RF input, in addition to analog and digital channels, which allows you to display, measure, perform math on and analyze both time and frequency domain signals with one instrument. With the functionality both of a mid-range oscilloscope as well as a standard spectrum analyzer, the MDO4000 offers several time-correlated display and measurement options for RF traces that only a combined instrument is able to provide.

The new RF commands are concentrated in the RF Command Group, but also appear in other command groups, including Save and Recall, Waveform Transfer, Trigger and Search. A table is available that links the RF features to their corresponding commands, regardless of command group. (See page 1-2, *Instrument Functionality Updates that Impact the Programmatic Command Set*.)

The MDO4000's built-in RF input supports a total of 7 trace (waveform) types: four traces in the frequency domain, and 3 in the time domain.

Frequency Domain Trace Types

The frequency domain window provides support for four spectrum traces, which may be turned on and off independently.

1. RF Normal trace: Each acquisition is discarded as new data is acquired.
2. RF Max Hold trace: The maximum data values are accumulated over multiple acquisitions of the RF Normal trace.
3. RF Min Hold trace: The minimum data values are accumulated over multiple acquisitions of the RF Normal trace.
4. RF Average trace: Data from the RF Normal trace is averaged over multiple acquisitions. This is true power averaging, which occurs before the log conversion. Each power of 2 average reduces the displayed noise by 3 dB.

Time Domain Trace Types

In addition to the usual analog and digital waveforms one expects on an oscilloscope, the time domain window can also display three RF time domain traces derived from the time-domain I&Q data acquired for the RF input. They are time-correlated with the analog and digital channels, and represent a continuous time domain data stream. The time domain trace options are:

1. The RF Amplitude vs. Time trace: The instantaneous amplitude of the input, after band-pass filtering, relative to the current frequency range (as defined by the center frequency and span settings.)
2. The RF Frequency vs. Time trace: The instantaneous frequency of the input, relative to the center frequency. The vertical axis displays frequency. The frequency versus time waveform handle (baseline indicator) indicates the center frequency. When the trace is above the waveform handle, it is above the center frequency. When the trace is below the waveform handle, it is below the center frequency.
3. The RF Phase vs. Time trace: The instantaneous phase of the input, relative to the center frequency. The vertical axis displays phase, with wrapping at roughly $\pm 180^\circ$.

The squelch function is used to suppress the phase and frequency information when the amplitude of the RF input is below a user-specified value. This keeps both the RF Frequency vs. Time and the RF Phase vs. Time traces from displaying broad bands of noise when there is no signal present on the RF input.

Time-Correlated Multi-Domain Display

A single trigger event coordinates acquisition across all analog, digital, and RF inputs. This enables a time-correlated view of both the time and frequency domain signals in a single instrument.

Spectrum Time: This is the period of time used to calculate the spectrum shown in the frequency domain graticule.

Analog Time: This is the amount of time acquired in the time domain graticule.

RF Acquisition Time: This is the amount of time acquired by the RF system. At mid-to-fast time base settings, it equals analog time. At slower time base settings, it can be less than analog time.

Acquisition Stages

RF acquisitions travel through their own signal path before being digitized by the oscilloscope. This signal path includes a combination of analog amplification, attenuation, filtering and down-conversion, depending on the parameters set by the user (frequency, span, reference level, and so forth.) The acquisition system uses one of three frequency bands to acquire RF data depending on where the center frequency and span are set. The bands are: 50 kHz to 3.75 GHz, 2.75 GHz to 4.5 GHz, and 3.5 GHz to 6.0 GHz.

Specifying the Reference Level and Resolution Bandwidth (RBW) Settings

The reference level is adjustable from -140dBm to $+30\text{dBm}$. Attenuation is set automatically with the reference level. The RBW setting is adjustable down to 20Hz . By default, the RBW tracks span in automatic mode in a 1000:1 ratio; this ratio is adjustable.

Detection Types

The MDO4000 calculates Fast Fourier Transform calculations (FFTs) with a 1,000 to $\sim 2,000,000$ point output, depending on the acquisition settings. It then reduces that FFT output into a 1,000 pixel-wide display. This means that approximately 1 to 2,000 FFT points get compressed into each pixel column. The MDO4000 gives you four choices as to how this compression is done: +peak, sample, average, and -peak.

Triggering Using RF Power Level as a Source

The triggered acquisition system is fully integrated with both the frequency and time domains. This means that a single event can trigger all of the analog, digital and RF acquisitions, regardless of whether that event came from an analog, digital or RF input. The RF power level has been distilled through special processing and may be used as a trigger. RF Power may be used as a source for Edge triggering. With an MDO4TRIG application module installed, the RF Power level can also be used as a source for pulse width, timeout, runt, logic and sequence triggering. (For more information, see Triggering on the RF input. (See page 2-69, *Trigger Command Group*.)

Spectrogram Display

The spectrogram is a graph of frequency domain traces over time. It provides an intuitive display that is useful for monitoring slowly changing RF events, and for identifying low amplitude signals too subtle for the eye to catch in a regular spectrum display. The x-axis shows frequency, and the y-axis shows time. Amplitude is represented by the color of the trace. Cold colors (blue, green) indicate low amplitude, and hot colors (red, yellow) indicate high amplitude.

Spectrogram slices are generated by taking each spectrum and flipping it on its edge, so that it is one pixel row tall. Each new acquisition adds another slice at the bottom of the spectrogram, and the previous acquisitions (slices) move up one row; you can then navigate backwards through the history of the spectrogram by selecting slice numbers to view. (The spectrogram slice trace is displayed as the RF Normal trace.)

Spectrum Mode: Triggered and Free Run

When only the frequency domain waveforms are displayed (no time domain waveforms), you can choose whether the MDO4000 should use Triggered mode or Free Run mode. When Triggered mode is selected, you can control all trigger settings, including Normal and Auto triggering. When Free Run mode is selected, the oscilloscope generates RF acquisitions as fast as possible. (To display only the frequency domain waveforms, turn off all time domain waveforms, including channels 1- 4, digital channels 0 - 15, buses, time domain math waveforms, time domain reference waveforms, and any RF vs. Time traces.)

When the oscilloscope displays both time and frequency domain waveforms, then the instrument's trigger system is in control of the Triggered mode and the RF acquisitions.

Using Markers in the Frequency Domain for Measurement and Analysis

For frequency domain measurements, up to 11 automatic markers are available to assist with quickly identifying the frequency and amplitude of peaks in the spectrum based upon user threshold and excursion settings. If more peaks meet the criteria than the desired number of markers, then the highest amplitude peaks are shown. Two manual markers are also available for measuring non-peak areas of interest, and to measure Noise Density and Phase Noise. If manual markers are off, the reference marker is automatically placed on the highest amplitude peak. With manual markers on, the reference marker becomes the "A" manual marker. Automatic peak markers are on by default.

Each automatic marker has a readout associated with it. These can be absolute or delta readouts. An absolute marker readout shows the actual frequency and amplitude of the associated marker. A delta marker readout shows the frequency and amplitude of the automatic markers relative to the Reference Marker. The Reference Marker's readout indicates absolute frequency and amplitude, regardless of the readout type. (It is marked on the display with a red R in a triangle.) The marker measurement readouts are absolute in dBm or relative to the reference marker in dBc (dB below carrier amplitude).

The threshold and excursion settings define which peaks are marked automatically. The threshold is a minimum amplitude that a signal must cross to be a valid peak. If the threshold is lower, more peaks will tend to qualify for markers. If the threshold is higher, fewer peaks tend to qualify for markers. The excursion is how far a signal needs to fall in amplitude between marked peaks to be another valid peak. If the excursion is low, more peaks will tend to qualify for markers. If the excursion is high, fewer peaks will tend to qualify for markers.

When the two manual markers are turned on, the Reference Marker is no longer automatically attached to the highest amplitude peak. It can now be moved to any desired location. This enables easy measurement of any part of the spectrum, as well as delta measurements to any part of the spectrum. This also lets you measure non-peak spectral content of interest. The readouts for manual markers indicate frequency, amplitude and noise (just like automatic marker readouts).

Taking Automatic Measurements in the Frequency Domain

You can take three automatic measurements in the frequency domain:

1. Channel Power (CP) — The total power within the bandwidth, defined by the Channel Width.
2. Adjacent Channel Power Ratio (ACPR) — The power in the main channel and the ratio of channel power to main power, for the upper and lower halves of each adjacent channel.
3. Occupied Bandwidth (OBW) — The bandwidth that contains the specified percentage of power within the analysis bandwidth.

Triggering using RF Power Level as a Source; Searching

The ability to use the RF power level as the source for edge triggering and searching is provided standard with the instrument. With the MDO4TRIG (Advanced Trigger) application module installed, the RF power level can also be used as the source for pulse width, time-out, runt, logic, and sequence triggering. (See page 2-69, *Trigger Command Group*.) A number of search commands are also available. (See page 2-55, *Search Command Group*.)

Transferring and Saving RF Trace Information

You can perform waveform transfer commands and queries using RF traces. (See page 2-85, *Waveform Transfer Command Group*.)

RF traces can be saved to an .ISF or .CSV file for subsequent recall to any of the 4 internal reference memory locations. The oscilloscope can also save, but not recall, RF acquisitions as .TIQ files. You can import .TIQ files into Tektronix SignalVu-PC software (PC based), SignalVu software (oscilloscope based), RSAVu software (PC based) or into a Tektronix real-time spectrum analyzer for pulse analysis and demodulation analysis. (See page 2-53, *Save and Recall Command Group*.)

NOTE. *The RF input replaces the auxiliary input on the front panel, therefore aux-in commands and arguments are not supported on the MDO4000.*

Table 2-32: RF Commands

Item	Description
MARKER:M<x>:AMPLitude:ABSolute?	This query returns the actual amplitude (vertical) value of the either of the two manual markers that are available for frequency domain traces, in dBm.
RF:PRObe:AUTOZero	This command executes the attached probe's AutoZero function, for probes that support this feature.
RF:PRObe:CALibrate	This command executes a calibration or initialization for a probe attached to the RF input, if the probe is calibratable.
RF:PRObe:CALibrate:CALIBRATABLE?	This query returns a boolean value that indicates whether the attached probe is calibratable.
RF:PRObe:CALibrate:STATE?	This command returns the calibration state of the probe connected to the RF input.
RF:PRObe:COMMAND	This command sets the state of the probe control specified with the first argument to the state specified with the second argument.
RF:PRObe:DEGAUss	This command starts a degauss/AutoZero cycle on a TekVPI current probe attached to the RF input.
RF:PRObe:DEGAUss:STATE?	This command returns the state of the probe degauss for the RF input.
RF:PRObe:FORCEDRange	This command specifies the range of a TekVPI probe attached to the RF input.
RF:PRObe:GAIN	This command specifies the scale factor for the probe attached to the RF input.
RF:PRObe:ID:SERnumber?	This query returns the serial number of the probe attached to the RF input.
RF:PRObe:ID:TYPE?	This query returns the type of probe attached to the RF input.
RF:PRObe:PREAmp:MODE	Sets or returns the user-selected mode for an RF pre-amp connected to the RF input - either BYPass or AUTO.

Table 2-32: RF Commands (cont.)

Item	Description
RF:PRObe:PREAmp:STATus?	Returns the actual status of the RF pre-amp connected to the RF input: NONE, ON, or BYPass.
RF:PRObe:RESistance?	This query returns the input resistance of the probe attached to the RF input, if the probe supports it (otherwise, it returns 0.0). The RF input is 50 Ω impedance.
RF:PRObe:SIGnal	This command specifies the input bypass setting of a TekVPI probe attached to the RF input. The probe must support input bypass.
RF:PRObe:UNIts?	This query returns a quoted string that describes the units of measure for the probe attached to the RF input.
MARKER:M<x>:AMPLitude:DELTA?	This query returns the delta amplitude (vertical) value of either of the two manual markers that are available for frequency domain traces, in relation to the Reference Marker.
MARKER:M<x>:FREQUENCY:ABSolute	This command specifies the actual frequency (horizontal) value of either of the two manual markers that are available for frequency domain traces.
MARKER:M<x>:FREQUENCY:DELTA?	This query returns the delta frequency (horizontal) value of either of the two manual markers that are available for frequency domain traces, in relation to the Reference Marker.
MARKER:M<x>:NOISEDensity?	This command returns the noise density of the RF_NORMAL trace at the specified marker position in <RF Units>/Hz units, where <RF Units> are the units specified by the command RF:UNIts.
MARKER:M<x>:PHASENoise?	This command returns the phase noise of the RF_NORMAL trace at the specified marker position in dBc/Hz units.
MARKER:MANual	This command switches on or off the manual markers a and b that are available for frequency domain traces.
MARKER:PEAK:EXCURsion	This command specifies the excursion value, in user-selected units, for the frequency domain trace automatic peak markers. You can select the units with the command RF:UNIts.
MARKER:PEAK:MAXimum	This command specifies the maximum number of frequency domain trace peaks that should have automatic markers associated with them. This can be a number between 1 and 11.
MARKER:PEAK:STATE	This command switches on or off the automatic peak markers that are available for frequency domain traces. The default is 1 (on). There are up to 11 automatic markers.
MARKER:PEAK:THReshold	This command specifies the threshold value, in the same vertical units as the source waveform, of the automatic peak markers available for frequency domain traces. (Use the RF:UNIts to specify the units.)
MARKER:REFERence	This command changes the Center Frequency to the frequency indicated by the Reference Marker, in effect moving the Reference Marker to the center of the screen.
MARKER:REFERence:AMPLITUDE?	This query returns the amplitude (vertical) value of the Reference Marker in dBm when markers are turned on (using the command MARKER:PEAK:STATE or MARKER:MANual).
MARKER:REFERence:FREQUENCY?	This query returns the frequency of the Reference Marker when the frequency domain trace markers have been turned on (using either the command MARKER:PEAK:STATE or MARKER:MANual).
MARKER:TYPE	This command specifies the marker type (either DELTA or ABSolute) to use when the automatic markers for the frequency domain traces are turned on. To turn on the automatic markers, use the command MARKER:PEAK:STATE.

Table 2-32: RF Commands (cont.)

Item	Description
RF:DETECTionmethod:MODE	This command specifies whether the RF detection within the oscilloscope occurs automatically or manually. The default is AUTO. If you set the detection method mode to MANual, you are then able to use the related RF:DETECTionmethod commands to specify detection method options for the frequency domain traces (the options are MINUSpeak, SAMPle, PLUSpeak and AVERage).
RF:DETECTionmethod:RF_AVERage	This command specifies the detection method the oscilloscope should use when creating an RF Average trace in the frequency domain. The Average trace displays the average of values from multiple acquisitions at each trace point.
RF:DETECTionmethod:RF_MAXHold	This command specifies the detection method the oscilloscope should use when creating an RF Max Hold trace in the frequency domain. The Max Hold trace displays the largest value in all acquisition history at each trace point.
RF:DETECTionmethod:RF_MINHold	This command specifies the detection method the oscilloscope should use when creating an RF Min Hold trace in the frequency domain. The Min Hold trace displays the smallest value throughout the acquisition history at each trace point.
RF:DETECTionmethod:RF_NORMal	This command specifies the detection method the oscilloscope should use when creating an RF Normal trace in the frequency domain. The Normal trace displays the most recently acquired sample at each trace point.
RF:FREQuency	This command specifies the center frequency of the RF acquisition system. The center frequency range varies with the model:
RF:LABel	This command specifies a general label for the RF frequency domain traces.
RF:MEASUre:ACPR:ADJACENTPAIRs	When the RF measurement type has been set to ACPR, the frequency domain displays a Main channel in the center (Ch:Main), and a side channel group on either side of the Main Channel. There can be either 1, 2 or 3 channels within each side group; this command specifies that number. (Lower Area 1, 2 and 3 would be on the left side of the Main channel; Upper Area 1, 2 and 3 would be on the right side). To set the measurement type to ACPR, use the command RFMEASUre:TYPE ACPR.
RF:MEASUre:ACPR:CHANBW	This command configures the measurement bandwidth to use for the Main channel, as well as the adjacent side channels, when performing ACPR measurements using a frequency domain trace. The RF measurement type must first be set to ACPR using the command RFMEASUre:TYPE ACPR.
RF:MEASUre:ACPR:CHANSPACing	This command specifies the center-to-center spacing between the Main channel and adjacent channels when performing ACPR measurements using a frequency domain trace. (The RF measurement type must be set to ACPR using the command RF:MEASUre:TYPE.) Note that if the channel spacing is adjusted to be more narrow than the channel bandwidth, then the oscilloscope will automatically decrease the channel bandwidth. NOTE. <i>The oscilloscope will maintain the span to fit all the channels on-screen, plus a margin of 10% (5% on either side.)</i>
RF:MEASUre:ACPR:LA1DB?	This query measures a ratio between the first lower adjacent side channel and the Main channel when performing ACPR measurements. The power in the adjacent channel is equivalent to the power in the main channel (dBm) added to the power ratio (dB) of the adjacent channel. (The RF measurement type must be set to ACPR using the command RF:MEASUre:TYPE)

Table 2-32: RF Commands (cont.)

Item	Description
RF:MEASUre:ACPR:LA2DB?	This query measures a ratio between the second lower side channel and the Main channel when performing ACPR measurements using a frequency domain trace. The power in the adjacent channel is equivalent to the power in the main channel (dBm) added to the power ratio (dB) of the adjacent channel. (The RF measurement type must be set to ACPR using the command RF:MEASUre:TYPe)
RF:MEASUre:ACPR:LA3DB?	This query measures a ratio between the third lower side channel and the Main channel when performing ACPR measurements using a frequency domain trace. The power in the adjacent channel is equivalent to the power in the main channel (dBm) added to the power ratio (dB) of the adjacent channel. (The RF measurement type must be set to ACPR using the command RF:MEASUre:TYPe .)
RF:MEASUre:ACPR:POWer?	This query returns the measure of the total RF power in the Main channel when performing ACPR measurements using a frequency domain trace. It uses the units that have been selected with the command RF:UNIts .
RF:MEASUre:ACPR:UA1DB?	This query measures a ratio between the first upper side channel and the Main channel when performing ACPR measurements using a frequency domain trace. The power in the adjacent channel is equivalent to the power in the main channel (dBm) added to the power ratio (dB) of the adjacent channel. (The RF measurement type must be set to ACPR using the command RF:MEASUre:TYPe .)
RF:MEASUre:ACPR:UA2DB?	This query measures a ratio between the second upper side channel and the Main channel when performing ACPR measurements using a frequency domain trace. The power in the adjacent channel is equivalent to the power in the main channel (dBm) added to the power ratio (dB) of the adjacent channel. (The RF measurement type must be set to ACPR using the command RF:MEASUre:TYPe .)
RF:MEASUre:ACPR:UA3DB?	This query measures a ratio between the third upper side channel and the Main channel when performing ACPR measurements using a frequency domain trace. The power in the adjacent channel is equivalent to the power in the main channel (dBm) added to the power ratio (dB) of the adjacent channel. (The RF measurement type must be set to ACPR using the command RF:MEASUre:TYPe .)
RF:MEASUre:CP:CHANBW	This command specifies the channel bandwidth to use when the RF measurement type has been set to Channel Power (CP) using the command RF:MEASUre:TYPe .
RF:MEASUre:CP:POWer?	This query returns the total channel power within the displayed channel bandwidth, when the RF measurement type has been set to CP (using the command RF:MEASUre:TYPe).
RF:MEASUre:OBW:CHANBW	This command specifies the Analysis Bandwidth to use, when the measurement type has been set to OBW (using the command RF:MEASUre:TYPe). Note that the span automatically increases or decreases to be 10% more than the Analysis Bandwidth (providing some room around the signal of interest).
RF:MEASUre:OBW:LOWERFreq?	This query returns the lower frequency threshold (on the display, the white line to the left bracketing OBW power). The RF measurement type must be set to OBW using the command RF:MEASUre:TYPe .
RF:MEASUre:OBW:PERCENTdown	This command specifies the percentage of total power within the Analysis Bandwidth (the OBW power) such that half of the remaining power will be below the OBW:LOWERFreq level and the other half of the remaining power will be above the OBW:UPPERFreq level.
RF:MEASUre:OBW:POWer?	This query returns the total channel power within the occupied bandwidth, when the RF measurement type has been set to OBW (using the command RF:MEASUre:TYPe).

Table 2-32: RF Commands (cont.)

Item	Description
RF:MEASUre:OBW:UPPERFreq?	This query returns the upper frequency threshold (on the display, the white line to the right bracketing OBW power). The RF measurement type must be set to OBW using the command RF:MEASUre:TYPE.
RF:MEASUre:TYPE	This command specifies the RF measurement type: Channel Power, Adjacent Channel Power Ratio, Occupied Bandwidth, or none.
RF:POSition	This command specifies the vertical position for the frequency domain traces. The vertical position is the location of the Reference Level with respect to the top of the graticule, in divisions. The lower limit is -10 divisions. The upper limit is +10 divisions.
RF:PRObe:CALibrate	This command executes a calibration or initialization for a probe attached to the RF input, if the probe is calibratable.
RF:PRObe:CALibrate:CALIBRATABLE?	This query returns a boolean value that indicates whether the attached probe is calibratable.
RF:PRObe:CALibrate:STATE?	This command returns the calibration state of the probe connected to the RF input.
RF:PRObe:COMMAND	This command sets the state of the probe control specified with the first argument to the state specified with the second argument.
RF:PRObe:DEGAUss	This command starts a degauss/AutoZero cycle on a TekVPI current probe attached to the RF input.
RF:PRObe:DEGAUss:STATE?	This command returns the state of the probe degauss for the RF input.
RF:PRObe:FORCEDRange	This command specifies the range of a TekVPI probe attached to the RF input.
RF:PRObe:GAIN	This command specifies the scale factor for the probe attached to the RF input.
RF:PRObe:ID:SERnumber?	This query returns the serial number of the probe attached to the RF input.
RF:PRObe:ID:TYPE?	This query returns the type of probe attached to the RF input.
RF:PRObe:PREAmp:MODE	Sets or returns the user selected mode for an RF pre-amp connected to the RF input.
RF:PRObe:PREAmp:STATus?	Returns the actual state of the RF pre-amp connected to the RF input.
RF:PRObe:RESistance?	This query returns the input resistance of the probe attached to the RF input, if the probe supports it (otherwise, it returns 0.0). The RF input is 50 Ω impedance.
RF:PRObe:SIGnal	This command specifies the input bypass setting of a TekVPI probe attached to the RF input. The probe must support input bypass.
RF:PRObe:UNIts?	This query returns a quoted string that describes the units of measure for the probe attached to the RF input.
RF:RBW	This command specifies the resolution bandwidth (RBW) setting when the RBW mode has been set to MANUAL (using the command RF:RBW:MODE). The resolution bandwidth is the width of the narrowest measurable band of frequencies in a frequency domain trace. The RBW is adjustable down to 20Hz. By default, the RBW tracks the span value in a 1000:1 ratio.
RF:RBW:MODE	This command specifies the resolution bandwidth (RBW) mode, either automatic or manual.
RF:REFLevel	This command sets the Reference Level of the RF input. The Reference Level can either be specified as a numeric floating point value, or set automatically.
RF:RF_AMPlitude:LABel	This command specifies the label for the RF Amplitude vs. Time trace.

Table 2-32: RF Commands (cont.)

Item	Description
RF:RF_AMPlitude:VERTical:POSition	This command specifies the vertical position of the RF Amplitude vs. Time trace. The position value determines the vertical graticule location at which the trace is displayed. Increasing the position value of a waveform causes the waveform to move up. Decreasing the position value causes the waveform to move down. The minimum is -50 divisions and the maximum is 50 divisions with a resolution of 0.02 divisions.
RF:RF_AMPlitude:VERTical:SCAle	This command specifies the vertical scale for the RF Amplitude vs. Time trace. For a signal with constant amplitude, increasing the scale causes the waveform to be displayed smaller. Decreasing the scale causes the waveform to be displayed larger.
RF:RF_AVErage:COUNt?	This query returns the number of RF traces that have been accumulated to create an RF Average frequency domain trace.
RF:RF_AVErage:NUMAVg	This command specifies the number of acquisitions to be used when creating an RF Average frequency domain trace, which displays the average of values from multiple acquisitions at each trace point. The default is 16. The range is 2 – 512, in exponential increments.
RF:RF_FREQuency:LABel	This command specifies the label for the RF Frequency vs. Time trace.
RF:RF_FREQuency:VERTical:POSition	This command specifies the vertical position for the RF Frequency vs. Time trace. The position value determines the vertical graticule location at which the trace is displayed. Increasing the position value of a waveform causes the waveform to move up. Decreasing the position value causes the waveform to move down. The minimum is -50 divisions and the maximum is 50 divisions with a resolution of 0.02 divisions.
RF:RF_FREQuency:VERTical:SCAle	This command specifies the vertical scale for the RF Frequency vs. Time trace. For a signal with constant amplitude, increasing the scale causes the waveform to be displayed smaller. Decreasing the scale causes the waveform to be displayed larger.
RF:RF_PHASe:LABel	This command specifies the label for the RF Phase vs. Time trace.
RF:RF_PHASe:VERTical:POSition	This command specifies the vertical position for RF Phase vs. Time trace. The position value determines the vertical graticule location at which the trace is displayed. Increasing the position value of a waveform causes the waveform to move up. Decreasing the position value causes the waveform to move down. The minimum is -50 divisions and the maximum is 50 divisions with a resolution of 0.02 divisions.
RF:RF_PHASe:VERTical:SCAle	This command specifies the vertical scale for RF Phase vs. Time trace. For a signal with constant amplitude, increasing the scale causes the waveform to be displayed smaller. Decreasing the scale causes the waveform to be displayed larger.
RF:SCAle	This command specifies the overall vertical scale setting of the frequency domain window. The lower limit is 0.1 dB/division. The upper limit is 100dB/division. The vertical scale is adjustable in a 1–2–5 sequence.
RF:SPAN	This command specifies the span setting. The span is the range of frequencies that can be observed around the center frequency. This is the width of the frequency domain trace, which is equal to the stop frequency minus the start frequency. The span maximum varies according to the oscilloscope model; either 3GHz or 6GHz.
RF:SPANRbwratio	This command specifies the ratio of the span to the resolution bandwidth (RBW) that will be used when the RBW Mode is set to AUTO. (In order to set the RBW Mode to AUTO, use the command RF:RBW:MODE.)
RF:SPECTRogram:NUMSLICES?	This query returns the number of spectrogram slices that are currently being rendered. A spectrogram slice is a section of the spectrogram representing one interval, or slice, of time in the spectrogram record.

Table 2-32: RF Commands (cont.)

Item	Description
RF:SPECTRogram:SLICESElect	<p>This command specifies the spectrogram slice number that is to be displayed. Allowable slice numbers range from 0 to –327 in full-screen mode, and 0 to –147 in split-screen mode. (The range is negative because the numbering starts with the latest slice (0) and proceeds backwards in time.) The slice can only be selected or changed when acquisitions have been stopped. As soon as acquisitions start again, the slice number is reset to 0 (the latest slice). Attempts to select a slice number outside of range, or when acquisitions are running, are ignored. The query form returns the currently selected spectrogram slice.</p> <p>To use this command, first turn on the spectrogram (RF:SPECTRogram:STATE). Then query the number of slices (RF:SPECTRogram:NUMSLICES?). Stop the acquisition when you've reached the number of desired slices. Then select the slice to display (RF:SPECTRogram:SLICESElect).</p> <p>Each slice of the spectrogram corresponds to a single RF acquisition. The FFT samples the entire spectrum for the incoming signal (at the rate with which new spectrums are acquired). The newest spectrum is on the bottom edge of the spectrogram, and the oldest is on the top edge. When the oscilloscope is stopped, you can scroll “back in time” through the spectrogram using the spectrum slice control. When you select a spectrogram slice, it is displayed in the bottom window as the RF Normal trace.</p>
RF:SPECTRogram:STATE	This command switches the frequency domain spectrogram display on or off.
RF:SPECTRUMMode	When only the frequency domain waveforms are displayed, this command specifies the RF spectrum mode: either TRIGGERed or FREERun. The default is FREERun.
RF:SQUELCH:STATE	This command turns the squelch control on or off for the RF Frequency vs. Time and RF Phase vs. Time traces. When squelch is on, only the portions of these traces where the amplitude exceeds the squelch threshold are displayed. This prevents the display of Phase and/or Frequency for signals that are at or near noise levels. The RF amplitude can be observed in the RF Amplitude vs. Time trace.
RF:SQUELCH:THReshold	This command specifies the squelch threshold level, in volts, for the RF Frequency vs. Time and RF Phase vs. Time traces.
RF:START	This command specifies to exclude frequencies below a certain level from use.
RF:STOP	This command specifies to exclude frequencies above a certain level from use.
RF:UNIts	This command specifies the vertical units to be used in all RF-related absolute logarithmic amplitudes.
RF:WINDow	This command specifies which window will be used for the windowing function, which is only used for the three time domain RF traces (Amplitude vs. Time, Frequency vs. Time and Phase vs. Time). The default window is Kaiser.
SEARCH:SPECTral:LIST?	This query will return a list of all automatically placed peak markers displayed in the frequency domain graticule. (To return information about manual markers, use the MARKER:M<x> commands.)
SElect:RF_AMPlitude	This command switches the RF Amplitude vs. Time trace display on or off in the time domain graticule.
SElect:RF_AVErage	This command switches the RF Average trace display on or off in the frequency domain graticule.
SElect:RF_FREQuency	This command switches the RF Frequency vs. Time trace display on or off in the time domain graticule.

Table 2-32: RF Commands (cont.)

Item	Description
SElect:RF_MAXHold	This command switches the frequency domain Max Hold trace display on or off in the frequency domain graticule.
SElect:RF_MINHold	This command switches the frequency domain Min Hold trace display on or off in the frequency domain graticule.
SElect:RF_NORMal	This command switches the frequency domain Normal trace display on or off in the frequency domain graticule.
SElect:RF_PHASE	This command switches the RF Phase vs. Time trace display on or off in the time domain graticule.

Save and Recall Command Group

Use the commands in the Save and Recall Command Group to store and retrieve waveforms and settings. When you save a setup, you save all the settings of the oscilloscope. When you recall a setup, the oscilloscope restores itself to the state it was in when you originally saved the setting.

NOTE. External file structure is as follows:

E: is the USB memory device plugged into the first USB port on the front of the oscilloscope.

F: is the USB memory device plugged into the second USB port on the front of the oscilloscope.

G: and *H:* are the USB memory device plugged into the USB ports on the rear of the oscilloscope.

I: is the network storage.

NOTE. Analog, digital, and RF waveforms and traces and those waveforms and traces derived from them (such as math and reference) can be saved to an ISF file. When saving all channels in ISF format, a group of files will be saved. Each will have the same value for XXXX, but the YYY values will be set to the different channels that were turned on when the Save All Waveforms operation was performed.

The oscilloscope can save, but not recall, RF acquisitions as .TIQ files. You can import .TIQ files into Tektronix SignalVu-PC software (PC based), SignalVu software (oscilloscope based), RSAVu software (PC based) or into a Tektronix real-time spectrum analyzer for pulse analysis and demodulation analysis.

Table 2-33: Save and Recall Commands

Command	Description
FACTory	Resets the oscilloscope to factory default settings
RECAII:SETUp:DEMO<x>	This command recalls one of the 6 specified built-in demonstration setups of RF functionality. <x> can be 1 through 6. The demonstrations include 1. Multiple Peaks, 2. spectrogram, 3. VCO/PLL Turn On, 4. ASK Modulation, 5. Frequency Hop and 6. Capture BW.
*RCL	Recalls saved oscilloscope settings
RECAII:SETUp	Recalls saved oscilloscope settings
RECAII:WAVEform	This command (no query form) recalls a stored waveform to a reference location. Only the first waveform in the .CSV file is recalled for multiple waveform .CSV files. Recall of digital waveforms (D0 through D15) is not supported.
*SAV	Stores the state of the oscilloscope to a specified memory location
SAVe:ASSIgn:TYPe	This command specifies the assignment of the save button
SAVe:EVENTable:{BUS<x> B<x>}	Saves event table data from bus<x> to a specified file
SAVe:IMAGe	Saves a capture of the screen image to the specified file
SAVe:IMAGe:FILEFormat	This command specifies the file format to use for saving screen images. The file format is not automatically determined by the file name extension. You need to choose a file name with an extension which is consistent with the selected file format
SAVe:IMAGe:INKSaver	This command specifies the current inksaver setting for the SAVe:IMAGe command
SAVe:IMAGe:LAYout	This command specifies the layout to use for saved screen images
SAVe:SETUp	Saves the state of the oscilloscope to a specified memory location or file
SAVe:WAVEform	This command saves a specified waveform or all displayed waveforms (with restrictions) to a file or reference memory location. The type of file saved is dependent upon the SAVe:WAVEform:FILEFormat command.
SAVe:WAVEform:FILEFormat	This command specifies the format for saving waveforms.
SAVe:WAVEform:GATIng	Specifies whether save waveform operations should save the entire waveform or a specified portion of the waveform
SETUP<x>:DATE?	Returns the date when the specified oscilloscope setup was saved
SETUP<x>:LABEL	This command specifies the specified oscilloscope setup label
SETUP<x>:TIME?	Returns the time when the specified oscilloscope setup was saved

Search Command Group

The search commands let you analyze your source waveform record for conditions specified by a search's criteria. Once these criteria are matched, the oscilloscope places a search mark at that location in the waveform record. You can then navigate or save the marks. (See page 2-25, *Mark Command Group*.)

When performing an edge, pulse width, runt, transition (rise/fall time), time-out, or bus search, you can use only one waveform at a time.

When performing a logic or a setup/hold search, you can use any or all of the displayed waveforms at the same time. For example, with a logic search, you can search for instances when CH1 is high and CH2 is low. Likewise, with a setup and hold search, you can search for instances when the clock source is CH1 and the data sources are CH2 and CH3.

With pulse width searching, the oscilloscope can search for pulses with widths less than, greater than, equal to, or not equal to a specified time. Additionally, it can search for pulses with widths within, or outside of a range of two different specified times. Searching can take place on either positive or negative pulses.

Searches on RF waveforms can only use time domain traces (RF Amplitude vs. Time, RF Frequency vs. Time and RF Phase vs. Time).

A series of example command sequences showing different searches and triggers is included as an appendix. (See page F-1, *Search and Trigger Command Sequence Examples*.)

Searching using Thresholds

All search types except bus searches use thresholds, which are vertical values that the source waveform must cross in order for a mark to be placed. For example, if you set the search type to EDGE, and the search source to CH1, the search's slope to RISE, and the search's threshold value to 1.5V, then that search will find all places where CH1 transitions from below 1.5 volts to above 1.5 volts.

Each individual search source waveform has two threshold values: a low threshold and a high threshold. Note that if you change the search source waveform, you must explicitly set the thresholds. For example, if you set the search's CH1 lower threshold to 1.5 volts, and then decide to change the search's source waveform to CH2, you must then explicitly set CH2's lower threshold value to the value you would like (it will not automatically be 1.5 volts). If you have an edge search set up on CH1 with the threshold you'd like, then decide to change to a logic search and change the threshold on CH1 to fit your logic search, and then change back to an edge search, your initial threshold setting on the edge search will be lost.

Bus and RF application modules

A table is available that lists all commands enabled by each application module (See page G-1, *Application Module-enabled Commands*.)

- For I²C or SPI bus signals, install the DPOEMBD application module.
- For RS-232, RS-422, RS-485, or UART bus signals, install the DPO4COMP module.
- For I²S, Left Justified (LJ), Right Justified (RJ), or TDM bus signals, install the DPO4AUDIO module.
- For CAN or LIN bus signals, install the DPO4AUTO or DPO4AUTOMAX module.
- For FlexRay bus signals, install the DPO4AUTOMAX module.
- For Ethernet signals, install the DPO4ENET module. Note that ≥ 350 MHz bandwidth models are recommended for 100BASE-TX.
- For MIL-STD-1553 bus signals, install the DPO4AERO module.
- For USB bus signals, install the DPO4USB module. Note that 1 GHz bandwidth models are recommended for high-speed (HS) USB.
- For RF signals (MDO 4000 Series only), install the MDO4TRIG module.

Search Commands

Command	Description
SEARCH?	Returns all search-related settings
SEARCH:SEARCH<x>:COPy	Copies the search criteria to the trigger, or the trigger criteria to the search
SEARCH:SEARCH<x>:LIST?	This query returns a list of all automatically created search marks on waveforms in the time domain (leaving out any manually created marks). These automatic marks are created using a search command. The entries returned are in the form of an enumeration representing the source waveform, followed by 7 time mark parameters.
SEARCH:SEARCH<x>:STATE	Sets the search state to on or off
SEARCH:SEARCH<x>:TOTal?	Returns the total number of matches for search <x>
SEARCH:SEARCH<x>:TRIGger:A:BUS?	Queries the SEARCH:SEARCH<x>:TRIGger:A:BUS settings.
SEARCH:SEARCH<x>:TRIGger:A:BUS:B<x>:AUDio:CONDition	This command sets the condition (start of frame or matching data) to be used to search on audio bus data.
SEARCH:SEARCH<x>:TRIGger:A:BUS:B<x>:AUDio:DATA:HIVALue	This command sets the upper word value to be used to search on audio bus data.
SEARCH:SEARCH<x>:TRIGger:A:BUS:B<x>:AUDio:DATA:OFFSet	This commands sets the data offset value to be used to search on audio bus data.
SEARCH:SEARCH<x>:TRIGger:A:BUS:B<x>:AUDio:DATA:QUALifier	This command sets the qualifier (<, >, =, <=, >=, not =, in range, out of range) to be used to search on audio bus data.

Search Commands (cont.)

Command	Description
SEARCH:SEARCH<x>:TRIGger:A:BUS:B<x>:AUDio:DATA:VALue	This command sets the lower word value to be used to search on audio bus data.
SEARCH:SEARCH<x>:TRIGger:A:BUS:B<x>:AUDio:DATA:WORD	This command sets the alignment of the data (left, right or either) to be used to search on audio bus data.
SEARCH:SEARCH<x>:TRIGger:A:BUS:B<x>:CAN:CONDition	This command sets the condition (start of frame, frame type, identifier, matching data, EOF, missing ACK field, bit-stuffing error) to be used to search on CAN bus data.
SEARCH:SEARCH<x>:TRIGger:A:BUS:B<x>:CAN:DATA:DIRection	This command sets the data direction (read, write or either) to be used to search on CAN bus data.
SEARCH:SEARCH<x>:TRIGger:A:BUS:B<x>:CAN:DATA:QUALifier	This command sets the qualifier (<, >, =, not =, <=) to be used to search on CAN bus data.
SEARCH:SEARCH<x>:TRIGger:A:BUS:B<x>:CAN:DATA:SIZE	This command sets the length of the data string, in bytes, to be used to search on CAN bus data.
SEARCH:SEARCH<x>:TRIGger:A:BUS:B<x>:CAN:DATA:VALue	This command sets the binary data value to be used to search on CAN bus data.
SEARCH:SEARCH<x>:TRIGger:A:BUS:B<x>:CAN:FRAMetype	This command sets the frame type (data, remote, error or overload) to be used to search on CAN bus data.
SEARCH:SEARCH<x>:TRIGger:A:BUS:B<x>:CAN{:IDentifier :ADDRess}:MODE	This command sets the addressing mode (standard or extended format) to be used to search on CAN bus data.
SEARCH:SEARCH<x>:TRIGger:A:BUS:B<x>:CAN{:IDentifier :ADDRess}:VALue	This command sets the binary address value to be used to search on CAN bus data.
SEARCH:SEARCH<x>:TRIGger:A:BUS:B<x>:ETHERnet:CONDition	When searching through Ethernet data, this command specifies the field or condition to search on.
SEARCH:SEARCH<x>:TRIGger:A:BUS:B<x>:ETHERnet:DATA:HIVALue	When the search condition is set to DATA, and the qualifier is set to either INrange or OUTrange, this command specifies the upper data value of the range.
SEARCH:SEARCH<x>:TRIGger:A:BUS:B<x>:ETHERnet:DATA:OFFSet	When the search condition is set to DATA, this command specifies where in the data field to look for the data search value.
SEARCH:SEARCH<x>:TRIGger:A:BUS:B<x>:ETHERnet:DATA:SIZE	When the search condition is set to DATA, this command specifies the number of contiguous TCP/IPv4/MAC client data bytes to search for.
SEARCH:SEARCH<x>:TRIGger:A:BUS:B<x>:ETHERnet:DATA:VALue	When the search condition is set to DATA, and the qualifier is set to LESSthan, MOREthan, EQUa1, UNEQUa1, LESSEQUa1 or MOREEQUa1, this command specifies the value to search on.
SEARCH:SEARCH<x>:TRIGger:A:BUS:B<x>:ETHERnet:FRAMETYPE	This command specifies which Ethernet frame type to search on: either Basic or QTAG (IEEE 802.1Q, or VLAN tagging).
SEARCH:SEARCH<x>:TRIGger:A:BUS:B<x>:ETHERnet:IPHeader:DESTinationaddr:VALue	When the Ethernet search condition is set to IPHeader, this command specifies the value of the 32-bit destination address that is to be used in the search (along with the protocol and source address).

Search Commands (cont.)

Command	Description
SEARCH:SEARCH<x>:TRIGger:A:BUS:B<x>:ETHERnet:IPHeader:PROTOcol:VALue	When the Ethernet search condition is set to IPHeader, this command specifies the value of the 8-bit protocol field that is to be used in the search (along with the source and destination addresses).
SEARCH:SEARCH<x>:TRIGger:A:BUS:B<x>:ETHERnet:IPHeader:SOUrceaddr:VALue	When the Ethernet search condition is set to IPHeader, this command specifies the value of the 32-bit source address that will be used in the search (along with the protocol and destination address).
SEARCH:SEARCH<x>:TRIGger:A:BUS:B<x>:ETHERnet:MAC:ADDRes:DESTination:VALue	When the Ethernet search condition is set to MACADDRESS, this command specifies the 48-bit MAC destination address value that is to be used in the search (along with the source address value).
SEARCH:SEARCH<x>:TRIGger:A:BUS:B<x>:ETHERnet:MAC:ADDRes:SOUrce:VALue	When the Ethernet search condition is set to MACADDRESS, this command specifies the 48-bit MAC source address value that is to be used in the search (along with the destination address value).
SEARCH:SEARCH<x>:TRIGger:A:BUS:B<x>:ETHERnet:MAC{:LENGth}:TYPe}:HIVALue	When the Ethernet search condition is set to MACLENGth, and the qualifier is set to either INrange or OUTrange, this command specifies the upper data value of this range.
SEARCH:SEARCH<x>:TRIGger:A:BUS:B<x>:ETHERnet:MAC{:LENGth}:TYPe}:VALue	When the Ethernet search condition is set to MACLENGth, and the qualifier is set to LESSthan, MOREthan, EQUal, UNEQUal, LESSEQUal or MOREEQUal, this command specifies the 16-bit value to search for.
SEARCH:SEARCH<x>:TRIGger:A:BUS:B<x>:ETHERnet:QTAG:VALue	When the Ethernet search condition is set to QTAG, this command specifies the 32-bit QTAG value to search for.
SEARCH:SEARCH<x>:TRIGger:A:BUS:B<x>:ETHERnet:QUALifier	This command specifies the qualifier to be used when the Ethernet search condition is set to MACLENGth or DATA.
SEARCH:SEARCH<x>:TRIGger:A:BUS:B<x>:ETHERnet:TCPHeader:ACKnum:VALue	When the Ethernet search condition is set to TCPHeader, this command specifies the 32-bit acknowledgement value that is to be used in the search (along with the destination and source port addresses and the sequence number). The default is all X's (don't care).
SEARCH:SEARCH<x>:TRIGger:A:BUS:B<x>:ETHERnet:TCPHeader:DESTinationport:VALue	When the Ethernet search condition is set to TCPHeader, this command specifies the 16-bit destination port address that is to be used in the search (along with the acknowledgement value, source port address and the sequence number).
SEARCH:SEARCH<x>:TRIGger:A:BUS:B<x>:ETHERnet:TCPHeader:SEQnum:VALue	When the Ethernet search condition is set to TCPHeader, this command specifies the 32-bit sequence number that is to be used in the search (along with the destination and source port addresses and the acknowledgement value).
SEARCH:SEARCH<x>:TRIGger:A:BUS:B<x>:ETHERnet:TCPHeader:SOUrceport:VALue	When the Ethernet search condition is set to TCPHeader, this command specifies the 16-bit source port address that is to be used in the search (along with the destination port address, the sequence number and the acknowledgement number).
SEARCH:SEARCH<x>:TRIGger:A:BUS:B<x>:FLEXray:CONDition	This command specifies the condition to use when searching on FlexRay bus data (start of frame, frame type, ID, cycle count, header, data, ID and data, EOF, error).

Search Commands (cont.)

Command	Description
SEARCH:SEARCH<x>:TRIGger:A:BUS:B<x>:FLEXray: CYCLEcount:HIVALue	This command specifies the upper data value of the range to be used when searching on the FlexRay bus cycle count field.
SEARCH:SEARCH<x>:TRIGger:A:BUS:B<x>:FLEXray: CYCLEcount:QUALifier	This command specifies the qualifier (<, >, =, <=, >=, not =, in range, out of range) to use when searching on the FlexRay bus cycle count field.
SEARCH:SEARCH<x>:TRIGger:A:BUS:B<x>:FLEXray: CYCLEcount:VALue	This command specifies the low data value to be used when searching on the FlexRay bus cycle count field.
SEARCH:SEARCH<x>:TRIGger:A:BUS:B<x>:FLEXray: DATa:HIVALue	This command specifies the high value to use when searching on the FlexRay bus data field.
SEARCH:SEARCH<x>:TRIGger:A:BUS:B<x>:FLEXray: DATa:OFFSet	This command specifies the offset of the data string in bytes to be used when searching on the FlexRay bus data field.
SEARCH:SEARCH<x>:TRIGger:A:BUS:B<x>:FLEXray: DATa:QUALifier	This command specifies the qualifier (<, >, =, <=, >=, not =, in range, out of range) to use when searching on the FlexRay bus data field.
SEARCH:SEARCH<x>:TRIGger:A:BUS:B<x>:FLEXray: DATa:SIZE	This command specifies the length of the data string, in bytes, to use when searching on the FlexRay bus data field.
SEARCH:SEARCH<x>:TRIGger:A:BUS:B<x>:FLEXray: DATa:VALue	This command specifies the low value to use when searching on the FlexRay bus data field.
SEARCH:SEARCH<x>:TRIGger:A:BUS:B<x>:FLEXray: EOFTYPE	This command specifies which end of file type to use (static, dynamic or any) when searching on the FlexRay bus EOF field.
SEARCH:SEARCH<x>:TRIGger:A:BUS:B<x>:FLEXray: ERRTYPE	This command specifies the error type to use when searching on the FlexRay bus signal.
SEARCH:SEARCH<x>:TRIGger:A:BUS:B<x>:FLEXray: FRAMEID:HIVALue	This command specifies the high value to use when searching on the FlexRay bus frame ID field.
SEARCH:SEARCH<x>:TRIGger:A:BUS:B<x>:FLEXray: FRAMEID:QUALifier	This command specifies the qualifier to use when searching on the FlexRay bus frame ID field.
SEARCH:SEARCH<x>:TRIGger:A:BUS:B<x>:FLEXray: FRAMEID:VALue	This command specifies the low value to use when searching on the FlexRay bus frame ID field.
SEARCH:SEARCH<x>:TRIGger:A:BUS:B<x>:FLEXray: FRAMEType	This command specifies the frame type (normal, payload, null, sync or startup) to use when searching on FlexRay bus data.
SEARCH:SEARCH<x>:TRIGger:A:BUS:B<x>:FLEXray: HEADER:CRC	This command specifies the CRC portion of the binary header string to be used when searching on FlexRay bus data.
SEARCH:SEARCH<x>:TRIGger:A:BUS:B<x>:FLEXray: HEADER:CYCLEcount	This command specifies to use the cycle count portion of the binary header string when searching on the FlexRay bus header.
SEARCH:SEARCH<x>:TRIGger:A:BUS:B<x>:FLEXray: HEADER:FRAMEID	This command specifies to use the frame ID portion of the binary header string when searching on the FlexRay bus header.
SEARCH:SEARCH<x>:TRIGger:A:BUS:B<x>:FLEXray: HEADER:INDBits	This command specifies to use the indicator bits portion of the binary header string when searching on the FlexRay bus header.
SEARCH:SEARCH<x>:TRIGger:A:BUS:B<x>:FLEXray: HEADER:PAYLength	This command specifies to use the payload length portion of the binary header string when searching on the FlexRay bus header.
SEARCH:SEARCH<x>:TRIGger:A:BUS:B<x>:I2C:ADDRess: MODE	This command specifies the I2C address mode to 7 or 10-Bit

Search Commands (cont.)

Command	Description
SEARCH:SEARCH<x>:TRIGger:A:BUS:B<x>:I2C:ADDRess:TYPE	This command specifies the I2C address type to I2C special addresses
SEARCH:SEARCH<x>:TRIGger:A:BUS:B<x>:I2C:ADDRess:VALue	This command specifies the binary address string to be used for I2C search
SEARCH:SEARCH<x>:TRIGger:A:BUS:B<x>:I2C:CONDition	This command specifies the search condition for I2C search
SEARCH:SEARCH<x>:TRIGger:A:BUS:B<x>:I2C:DATA:DIRection	This command specifies the I2C search condition to be valid on a READ, WRITE or either
SEARCH:SEARCH<x>:TRIGger:A:BUS:B<x>:I2C:DATA:SIZE	This command specifies the length of the data string in bytes to be used for I2C search
SEARCH:SEARCH<x>:TRIGger:A:BUS:B<x>:I2C:DATA:VALue	This command specifies the binary data string to be used for I2C search
SEARCH:SEARCH<x>:TRIGger:A:BUS:B<x>:LIN:CONDition	This command specifies the search condition for a LIN search
SEARCH:SEARCH<x>:TRIGger:A:BUS:B<x>:LIN:DATA:HIVALue	This command specifies the binary data string
SEARCH:SEARCH<x>:TRIGger:A:BUS:B<x>:LIN:DATA:QUALifier	This command specifies the LIN data qualifier
SEARCH:SEARCH<x>:TRIGger:A:BUS:B<x>:LIN:DATA:SIZE	This command specifies the length of the data string in bytes
SEARCH:SEARCH<x>:TRIGger:A:BUS:B<x>:LIN:DATA:VALue	This command specifies the binary data string used for a LIN search
SEARCH:SEARCH<x>:TRIGger:A:BUS:B<x>:LIN:ERRTYPE	This command specifies the error type used for a LIN search
SEARCH:SEARCH<x>:TRIGger:A:BUS:B<x>:LIN:IDentifier:VALue	This command specifies the binary address string used for LIN search
SEARCH:SEARCH<x>:TRIGger:A:BUS:B<x>:MIL1553B:COMMAND:ADDRess:HIVALue	When the MIL-STD-1553 bus search condition is set to COMMAND, and the qualifier is set to INrange or OUTrange, this command specifies the upper limit of the range for the remote terminal address field.
SEARCH:SEARCH<x>:TRIGger:A:BUS:B<x>:MIL1553B:COMMAND:ADDRess:QUALifier	When the MIL-STD-1553 bus search condition is set to COMMAND, this command specifies the qualifier to be used with the remote terminal address field.
SEARCH:SEARCH<x>:TRIGger:A:BUS:B<x>:MIL1553B:COMMAND:ADDRess:VALue	When the MIL-STD-1553 bus search condition is set to COMMAND, and the qualifier is set to LESSthan, MOREthan, EQUa1, UNEQUa1, LESSEQUa1 or MOREEQUa1, this command specifies the value of the 5-bit remote terminal address to be used in the search.
SEARCH:SEARCH<x>:TRIGger:A:BUS:B<x>:MIL1553B:COMMAND:COUNT	When the MIL-STD-1553 bus search condition is set to COMMAND, this command specifies the bit pattern for the 5-bit Word Count/Mode Code sub-address field that is to be used in the search.
SEARCH:SEARCH<x>:TRIGger:A:BUS:B<x>:MIL1553B:COMMAND:PARity	When the MIL-STD-1553 bus search condition is set to COMMAND, this command specifies the Command word parity that is to be used in the search.
SEARCH:SEARCH<x>:TRIGger:A:BUS:B<x>:MIL1553B:COMMAND:SUBADdress	When the MIL-STD-1553 bus search condition is set to COMMAND, this command specifies the 5 bit sub-address that is to be used in the search.

Search Commands (cont.)

Command	Description
SEARCH:SEARCH<x>:TRIGger:A:BUS:B<x>:MIL1553B:COMMAND:TRBit	When the MIL-STD-1553 bus search condition is set to COMMAND , this command specifies that the transmit/receive bit (bit 9) is to be used in the search.
SEARCH:SEARCH<x>:TRIGger:A:BUS:B<x>:MIL1553B:CONDition	This command specifies a word type or condition within a MIL-STD-1553 bus word to search for. SEARCH<x> is the search number, which is always 1, and B<x> is the bus number 1-4.
SEARCH:SEARCH<x>:TRIGger:A:BUS:B<x>:MIL1553B:DATa:PARity	When the MIL-STD-1553 bus search condition is set to DATa , this command specifies the data parity bit to be used in the search.
SEARCH:SEARCH<x>:TRIGger:A:BUS:B<x>:MIL1553B:DATa:VALue	When the MIL-STD-1553 bus search condition is set to DATa , this command specifies the data binary pattern to be used in the search.
SEARCH:SEARCH<x>:TRIGger:A:BUS:B<x>:MIL1553B:ERRType	When the MIL-STD-1553 bus search condition is set to ERRor , this command specifies the signaling error type to be used in the search: Parity, Sync, Manchester or Data.
SEARCH:SEARCH<x>:TRIGger:A:BUS:B<x>:MIL1553B:STATus:ADDRes:HIValue	When the MIL-STD-1553 bus search condition is set to STATus , and the qualifier is set to INrange or OUTrange , this command specifies the upper limit for the 5 bit remote terminal address field of the Status word.
SEARCH:SEARCH<x>:TRIGger:A:BUS:B<x>:MIL1553B:STATus:ADDRes:VALue	When the MIL-STD-1553 bus search condition is set to STATus , and the qualifier is set to LESSthan , MOREthan , EQual , UNEQua1 , LESSEQua1 or MOREEQua1 , this command specifies the value of the 5-bit remote terminal address to be used in the search.
SEARCH:SEARCH<x>:TRIGger:A:BUS:B<x>:MIL1553B:STATus:ADDRes:QUALifier	When the MIL-STD-1553 bus search condition is set to STATus , this command specifies the qualifier to be used with the address field.
SEARCH:SEARCH<x>:TRIGger:A:BUS:B<x>:MIL1553B:STATus:BIT:BCR	When the MIL-STD-1553 bus search condition is set to STATus , this command specifies the status word broadcast command received (BCR) bit value (bit 15) to be used in the search.
SEARCH:SEARCH<x>:TRIGger:A:BUS:B<x>:MIL1553B:STATus:BIT:BUSY	When the MIL-STD-1553 bus search condition is set to STATus , this command specifies the status word busy bit value (bit 16) to be used in the search.
SEARCH:SEARCH<x>:TRIGger:A:BUS:B<x>:MIL1553B:STATus:BIT:DBCA	When the MIL-STD-1553 bus search condition is set to STATus , this command specifies the status word dynamic bus control acceptance (DBCA) bit value (bit 18) to be used in the search.
SEARCH:SEARCH<x>:TRIGger:A:BUS:B<x>:MIL1553B:STATus:BIT:INSTR	When the MIL-STD-1553 bus search condition is set to STATus , this command specifies the status word instrumentation bit value (bit 10) to be used in the search.
SEARCH:SEARCH<x>:TRIGger:A:BUS:B<x>:MIL1553B:STATus:BIT:ME	When the MIL-STD-1553 bus search condition is set to STATus , this command specifies the status word message error bit value (bit 9) to be used in the search.
SEARCH:SEARCH<x>:TRIGger:A:BUS:B<x>:MIL1553B:STATus:BIT:SRQ	When the MIL-STD-1553 bus search condition is set to STATus , this command specifies the status word service request (SRQ) bit value (bit 11) to be used in the search.

Search Commands (cont.)

Command	Description
SEARCH:SEARCH<x>:TRIGger:A:BUS:B<x>:MIL1553B:STATus:BIT:SUBSF	When the MIL-STD-1553 bus search condition is set to STATus, this command specifies the status word subsystem flag bit value (bit 17) to be used in the search.
SEARCH:SEARCH<x>:TRIGger:A:BUS:B<x>:MIL1553B:STATus:BIT:TF	When the MIL-STD-1553 bus search condition is set to STATus, this command specifies the status word terminal flag bit value (bit 19) to be used in the search.
SEARCH:SEARCH<x>:TRIGger:A:BUS:B<x>:MIL1553B:STATus:PARity	When the MIL-STD-1553 bus search condition is set to STATus, this command specifies the status parity bit value to be used in the search.
SEARCH:SEARCH<x>:TRIGger:A:BUS:B<x>:MIL1553B:TIME:LESSLimit	When the MIL-STD-1553 bus search condition is set to TIME, this command specifies either the minimum remote terminal response time (RT) limit for the amount of time the terminal has to transmit, or it specifies the minimum inter-message gap (IMG).
SEARCH:SEARCH<x>:TRIGger:A:BUS:B<x>:MIL1553B:TIME:MORELimit	When the MIL-STD-1553 bus search condition is set to TIME, this command specifies either the maximum remote terminal response time (RT) limit for the amount of time the terminal has to transmit, or it specifies the maximum inter-message gap (IMG).
SEARCH:SEARCH<x>:TRIGger:A:BUS:B<x>:MIL1553B:TIME:QUALifier	When the MIL-STD-1553 bus search condition is set to TIME, this command specifies the trigger data time qualifier.
SEARCH:SEARCH<x>:TRIGger:A:BUS:B<x>:PARallel:VALue	This command specifies the binary data string to be used for a Parallel search
SEARCH:SEARCH<x>:TRIGger:A:BUS:B<x>:RS232C:CONDition	This command specifies the search condition for an RS-232 trigger
SEARCH:SEARCH<x>:TRIGger:A:BUS:B<x>:RS232C:RX:DATA:SIZE	This command specifies the length of the data string for an RS-232search, if the search condition is RX
SEARCH:SEARCH<x>:TRIGger:A:BUS:B<x>:RS232C:RX:DATA:VALue	This command specifies the binary data string for an RS-232 search, if the condition involves RX
SEARCH:SEARCH<x>:TRIGger:A:BUS:B<x>:RS232C:TX:DATA:SIZE	This command specifies the length of the data string to be used for an RS-232 search, if the search condition is TX
SEARCH:SEARCH<x>:TRIGger:A:BUS:B<x>:RS232C:TX:DATA:VALue	This command specifies the binary data string to be used for an RS-232 search, if the condition involves RX
SEARCH:SEARCH<x>:TRIGger:A:BUS:B<x>:SPI:CONDition	This command specifies the search condition for SPI search
SEARCH:SEARCH<x>:TRIGger:A:BUS:B<x>:SPI:DATA{MISO :IN}:VALue	This command specifies the binary data string to be used for SPI search if the search condition is MISO or MISOMOSI
SEARCH:SEARCH<x>:TRIGger:A:BUS:B<x>:SPI:DATA{MOSI :OUT}:VALue	This command specifies the binary data string for an SPI search if the search condition is MISO or MISOMOSI
SEARCH:SEARCH<x>:TRIGger:A:BUS:B<x>:SPI:DATA:SIZE	This command specifies the length of the data string in bytes to be used for SPI search
SEARCH:SEARCH<x>:TRIGger:A:BUS:B<x>:USB:ADDRess:HIVALue	This command specifies the high limit for USB address searches
SEARCH:SEARCH<x>:TRIGger:A:BUS:B<x>:USB:ADDRess:VALue	This command specifies the value for USB address searches

Search Commands (cont.)

Command	Description
SEARCH:SEARCH<x>:TRIGger:A:BUS:B<x>:USB:CONDition	This command specifies the USB search condition.
SEARCH:SEARCH<x>:TRIGger:A:BUS:B<x>:USB:DATA:HIVALue	This command specifies the high limit for USB data searches
SEARCH:SEARCH<x>:TRIGger:A:BUS:B<x>:USB:DATA:OFFSet	This command specifies the data offset for USB data searches
SEARCH:SEARCH<x>:TRIGger:A:BUS:B<x>:USB:DATA:SIZE	This command specifies the number of data bytes for USB searches
SEARCH:SEARCH<x>:TRIGger:A:BUS:B<x>:USB:DATA:TYPE	This command specifies the data type for USB searches
SEARCH:SEARCH<x>:TRIGger:A:BUS:B<x>:USB:DATA:VALue	This command specifies the data value for USB data searches
SEARCH:SEARCH<x>:TRIGger:A:BUS:B<x>:USB:ENDPoint:VALue	This command specifies the endpoint value for USB searches
SEARCH:SEARCH<x>:TRIGger:A:BUS:B<x>:USB:ERRType	This command specifies the error type for USB searches
SEARCH:SEARCH<x>:TRIGger:A:BUS:B<x>:USB:HANDSHAKType	This command specifies the handshake type for USB searches
SEARCH:SEARCH<x>:TRIGger:A:BUS:B<x>:USB:QUALifier	This command specifies the qualifier for USB searches
SEARCH:SEARCH<x>:TRIGger:A:BUS:B<x>:USB:SOFFRAMENUMber	This command specifies the SOF number for USB searches
SEARCH:SEARCH<x>:TRIGger:A:BUS:B<x>:USB:SPECIALType	This command specifies the special packet type for USB searches
SEARCH:SEARCH<x>:TRIGger:A:BUS:B<x>:USB:SPLit:ET:VALue	When searching on a high-speed USB split transaction, this command specifies the split transaction endpoint type value to search for.
SEARCH:SEARCH<x>:TRIGger:A:BUS:B<x>:USB:SPLit:HUB:VALue	When searching on a high-speed USB split transaction, this command specifies the split transaction hub address value to search for.
SEARCH:SEARCH<x>:TRIGger:A:BUS:B<x>:USB:SPLit:PORT:VALue	When searching on a high-speed USB split transaction, this command specifies the split transaction port address value to search for.
SEARCH:SEARCH<x>:TRIGger:A:BUS:B<x>:USB:SPLit:SC:VALue	When searching on a high-speed USB split transaction, this command specifies whether to search for the start or complete phase of the split transaction, based on the Start/Complete bit field value.
SEARCH:SEARCH<x>:TRIGger:A:BUS:B<x>:USB:SPLit:SE:VALue	When searching for a high-speed USB split transaction, this command specifies the split transaction start/end bit value to search for.
SEARCH:SEARCH<x>:TRIGger:A:BUS:B<x>:USB:TOKENType	This command specifies the token type for USB searches
SEARCH:SEARCH<x>:TRIGger:A:BUS:SOUrce	This command specifies the bus for a serial search

Search Commands (cont.)

Command	Description
SEARCH:SEARCH<x>:TRIGger:A:EDGE:SLOpe	This command specifies the slope for an edge search
SEARCH:SEARCH<x>:TRIGger:A:EDGE:SOUrce	This command specifies the source waveform for an edge search
SEARCH:SEARCH<x>:TRIGger:A:LEVel:CH<x>	Sets the threshold level to use when searching on an analog waveform.
SEARCH:SEARCH<x>:TRIGger:A:LEVel:MATH	Sets the threshold level to use when searching on the math waveform.
SEARCH:SEARCH<x>:TRIGger:A:LEVel:REF<x>	Sets the threshold level to use when searching on a reference waveform.
SEARCH:SEARCH<x>:TRIGger:A:LEVel:RF_AMPlitude	Sets the threshold level to use when searching on the RF Amplitude vs. Time trace.
SEARCH:SEARCH<x>:TRIGger:A:LEVel:RF_FREQuency	Sets the threshold level to use when searching on the RF Frequency vs. Time trace.
SEARCH:SEARCH<x>:TRIGger:A:LEVel:RF_PHASe	Sets the threshold level to use when searching on the RF Phase vs. Time trace.
SEARCH:SEARCH<x>:TRIGger:A:LOGIc:PATtern:INPut:CH<x>	This command specifies the logic operator for the logic search
SEARCH:SEARCH<x>:TRIGger:A:LOGIc:INPut:CH<x>	Specifies the logic condition to be used in a logic search when the input is an analog channel.
SEARCH:SEARCH<x>:TRIGger:A:LOGIc:INPut:CLOCK:EDGE	This command specifies whether the clock edge is rise or fall for a logic search
SEARCH:SEARCH<x>:TRIGger:A:LOGIc:INPut:CLOCK:SOUrce	This command specifies the clock source definition for logic search
SEARCH:SEARCH<x>:TRIGger:A:LOGIc:INPut:D<x>	This command specifies the criteria for a logic search to determine where to place a mark for digital channel <x>
SEARCH:SEARCH<x>:TRIGger:A:LOGIc:INPut:MATH	This command specifies the Boolean logic criteria for the logic search
SEARCH:SEARCH<x>:TRIGger:A:LOGIc:INPut:REF<x>	This command specifies the Boolean logic criteria for the logic search
SEARCH:SEARCH<x>:TRIGger:A:LOGIc:INPut:RF_AMPlitude	This command specifies the logic criteria to search for when searching using the RF Amplitude vs. Time trace. This command is used together with SEARCH:SEARCH<x>:TRIGger:A:LOGIc:THReshold:RF_AMPlitude to search for an instance when the waveform goes higher or lower than the specified threshold.
SEARCH:SEARCH<x>:TRIGger:A:LOGIc:INPut:RF_FREQuency	This command specifies the logic criteria to search for when searching using the RF Frequency vs. Time trace. This command is used together with SEARCH:SEARCH<x>:TRIGger:A:LOGIc:THReshold:RF_FREQuency to search for an instance when the waveform goes higher or lower than the specified threshold.
SEARCH:SEARCH<x>:TRIGger:A:LOGIc:INPut:RF_PHASe	This command specifies the logic criteria to search for when searching using the RF Phase vs. Time trace. This command is used together with SEARCH:SEARCH<x>:TRIGger:A:LOGIc:THReshold:RF_PHASe to search for an instance when the waveform goes higher or lower than the specified threshold.

Search Commands (cont.)

Command	Description
SEARCH:SEARCH<x>:TRIGger:A:LOGic:PATtern:WHEn	This command specifies the condition for generating a logic pattern search.
SEARCH:SEARCH<x>:TRIGger:A:LOGic:PATtern:WHEn:LESSLimit	This command specifies the maximum time that the selected pattern may be true.
SEARCH:SEARCH<x>:TRIGger:A:LOGic:PATtern:WHEn:MORELimit	This command specifies the minimum time that the selected pattern may be true.
SEARCH:SEARCH<x>:TRIGger:A:LOGic:THReshold:CH<x>	This command specifies the channel threshold level for a logic search.
SEARCH:SEARCH<x>:TRIGger:A:LOGic:THReshold:MATH	This command specifies the math waveform threshold level for a logic search.
SEARCH:SEARCH<x>:TRIGger:A:LOGic:THReshold:REF<x>	This command specifies the reference waveform threshold level for a logic search
SEARCH:SEARCH<x>:TRIGger:A:LOGic:THReshold:RF_AMPlitude	This command specifies the threshold to use when searching the RF Amplitude vs. Time waveform. (Same as the command SEARCH:SEARCH<x>:TRIGger:A:Lowerthreshold:RF_AMPlitude .) This command is used together with SEARCH:SEARCH<x>:TRIGger:A:LOGic:INPut:RF_AMPlitude to search for an instance when the RF Amplitude vs. Time waveform goes higher or lower than the specified threshold.
SEARCH:SEARCH<x>:TRIGger:A:LOGic:THReshold:RF_FREQuency	This command specifies the threshold to use when searching the RF Frequency vs. Time waveform. (It does the same thing as the command SEARCH:SEARCH<x>:TRIGger:A:Lowerthreshold:RF_FREQuency .) This command is used together with SEARCH:SEARCH<x>:TRIGger:A:LOGic:INPut:RF_FREQuency to search for an instance when the RF Frequency vs. Time waveform goes higher or lower than the specified threshold.
SEARCH:SEARCH<x>:TRIGger:A:LOGic:THReshold:RF_PHASe	This command specifies the threshold, in degrees, to use when searching the RF Phase vs. Time waveform. (It does the same thing as SEARCH:SEARCH<x>:TRIGger:A:Lowerthreshold:RF_PHASe .) This command is used together with SEARCH:SEARCH<x>:TRIGger:A:LOGic:INPut:RF_PHASe to search for an instance when the RF Phase vs. Time waveform goes higher or lower than the specified threshold.
SEARCH:SEARCH<x>:TRIGger:A:LOWerthreshold:CH<x>	This command specifies the lower waveform threshold level for all channel waveform searches
SEARCH:SEARCH<x>:TRIGger:A:LOWerthreshold:MATH	This command specifies the lower waveform threshold level for all math waveform searches
SEARCH:SEARCH<x>:TRIGger:A:LOWerthreshold:REF<x>	This command specifies the lower waveform threshold level for all reference waveform searches

Search Commands (cont.)

Command	Description
SEARCH:SEARCH<x>:TRIGger:A:LOWerthreshold:RF_AMPlitude	This command specifies the threshold for RF Amplitude vs. Time trace searches. For runt and transition searches, this level is the lower threshold. For other search types, this is the single threshold. This command is used together with SEARCH:SEARCH<x>:TRIGger:A:LOGic:INPut:RF_AMPlitude to search for an instance when the waveform goes higher or lower than the specified threshold.
SEARCH:SEARCH<x>:TRIGger:A:LOWerthreshold:RF_FREQUency	This command specifies the threshold for RF Frequency vs. Time trace searches. For runt and transition searches, this level is the lower threshold. For other search types, this is the single threshold. This command is used together with SEARCH:SEARCH<x>:TRIGger:A:LOGic:INPut:RF_FREQUency to search for an instance when the waveform goes higher or lower than the specified threshold.
SEARCH:SEARCH<x>:TRIGger:A:LOWerthreshold:RF_PHASe	This command specifies the lower threshold, in degrees, for searching the RF Phase vs. Time waveform. For runt and transition searches, this level is the lower threshold. For other search types, this is the single threshold. This command is used together with SEARCH:SEARCH<x>:TRIGger:A:LOGic:INPut:RF_PHASe to search for an instance when the waveform goes higher or lower than the specified threshold.
SEARCH:SEARCH<x>:TRIGger:A:PULSEWidth:HIGHLimit	This command specifies the upper limit, in seconds, when searching the record for pulses whose widths are within or outside of a specified range of two values. (Use SEARCH:SEARCH<x>:TRIGger:A:PULSEWidth:LOWLimit to specify the lower limit of the range.)
SEARCH:SEARCH<x>:TRIGger:A:PULSEWidth:LOWLimit	This command specifies the lower limit, in seconds, when searching the record for pulses whose widths are within or outside of a specified range of two values. (Use SEARCH:SEARCH<x>:TRIGger:A:PULSEWidth:HIGHLimit to specify the upper limit of the range.)
SEARCH:SEARCH<x>:TRIGger:A:PULSEWidth:POLarity	This command specifies the polarity for a pulse search
SEARCH:SEARCH<x>:TRIGger:A:PULSEWidth:SOURce	This command specifies the source waveform for a pulse search
SEARCH:SEARCH<x>:TRIGger:A:PULSEWidth:WHEn	This command specifies to search the waveform record for pulses with a width (duration) that is less than, greater than, equal to, or unequal to a specified value (set using SEARCH:SEARCH<x>:TRIGger:A:PULSEWidth:WIDTH), OR whose widths fall outside of or within a specified range of two values (set using SEARCH:SEARCH<x>:TRIGger:A:PULSEWidth:LOWLimit and SEARCH:SEARCH<x>:TRIGger:A:PULSEWidth:HIGHLimit).
SEARCH:SEARCH<x>:TRIGger:A:PULSEWidth:WIDTH	This command specifies the width setting to use, in seconds, when searching the waveform record for pulses of a certain width (duration).
SEARCH:SEARCH<x>:TRIGger:A:RUNT:POLarity	This command specifies the polarity setting for a runt search
SEARCH:SEARCH<x>:TRIGger:A:RUNT:SOURce	This command specifies the source setting for a runt search

Search Commands (cont.)

Command	Description
SEARCH:SEARCH<x>:TRIGger:A:RUNT:WHEn	This command specifies the condition setting for a runt search
SEARCH:SEARCH<x>:TRIGger:A:RUNT:WIDTh	This command specifies the width setting for a runt search
SEARCH:SEARCH<x>:TRIGger:A:SETHold:CLOCK:EDGE	This command specifies the clock slope setting for a setup/hold search
SEARCH:SEARCH<x>:TRIGger:A:SETHold:CLOCK:SOUrce	This command specifies the clock source setting for an setup/hold search
SEARCH:SEARCH<x>:TRIGger:A:SETHold:CLOCK:THReshold	This command specifies the clock threshold setting for an setup/hold search
SEARCH:SEARCH<x>:TRIGger:A:SETHold:DATA:SOUrce	This command specifies the data source setting for an setup/hold search
SEARCH:SEARCH<x>:TRIGger:A:SETHold:DATA:THReshold	This command specifies the data threshold setting for an setup/hold search
SEARCH:SEARCH<x>:TRIGger:A:SETHold:HOLDTime	This command specifies the hold time setting for an setup/hold search
SEARCH:SEARCH<x>:TRIGger:A:SETHold:SETTime	This command specifies the setup time setting for an setup/hold search
SEARCH:SEARCH<x>:TRIGger:A:SETHold:THReshold{MATH :MATH1}	This command specifies the search setup and hold threshold for the math waveform
SEARCH:SEARCH<x>:TRIGger:A:SETHold:THReshold:REF<x>	This command specifies the search setup and hold threshold for the selected reference waveform
SEARCH:SEARCH<x>:TRIGger:A:TIMEOut:POLarity	When searching using the TIMEOut search type, this commands specifies the polarity to be used.
SEARCH:SEARCH<x>:TRIGger:A:TIMEOut:SOUrce	When searching using the TIMEOut search type, this command specifies the source.
SEARCH:SEARCH<x>:TRIGger:A:TIMEOut:TIME	When searching using the TIMEOut search type, this command specifies the timeout time, in seconds.
SEARCH:SEARCH<x>:TRIGger:A{:TRANSition :RISEFall}:DELTatime	This command specifies the transition time setting for an transition search
SEARCH:SEARCH<x>:TRIGger:A{:TRANSition :RISEFall}:POLarity	This command specifies the polarity setting for a transition search
SEARCH:SEARCH<x>:TRIGger:A{:TRANSition :RISEFall}:SOUrce	This command specifies the source setting for a transition search
SEARCH:SEARCH<x>:TRIGger:A{:TRANSition :RISEFall}:WHEn	This command specifies the condition setting for a transition search
SEARCH:SEARCH<x>:TRIGger:A:TYPE	This command specifies the search type, ie. EDGE PULSEWidth SETHold RUNT TRANSition LOGIc TIMEOut BUS.
SEARCH:SEARCH<x>:TRIGger:A:UPPerthreshold:CH<x>	This command specifies the waveform upper threshold level for all channel waveform searches.
SEARCH:SEARCH<x>:TRIGger:A:UPPerthreshold:MATH	This command specifies the waveform upper threshold level for all math waveform searches.
SEARCH:SEARCH<x>:TRIGger:A:UPPerthreshold:REF<x>	This command specifies the waveform upper threshold level for all reference waveform searches.

Search Commands (cont.)

Command	Description
SEARCH:SEARCH<x>:TRIGger:A:UPPerthreshold:RF_AMPlitude	For a runt or transition search using the RF Amplitude vs. Time trace, this command specifies the upper threshold to be used by the search engine.
SEARCH:SEARCH<x>:TRIGger:A:UPPerthreshold:RF_FREQuency	For a runt or transition search using the RF Frequency vs. Time trace, this command specifies the upper threshold to be used by the search engine.
SEARCH:SEARCH<x>:TRIGger:A:UPPerthreshold:RF_PHASe	This command specifies the upper threshold to be used by the search engine when performing a runt or transition search using the RF Phase vs. Time trace.

Status and Error Command Group

Use the commands in the Status and Error Command Group to determine the status of the oscilloscope and control events.

Several commands and queries used with the oscilloscope are common to all IEEE488.2 compliant devices. The IEEE Std 488.2-1987 defines these commands and queries. The common commands begin with an asterisk (*) character.

Table 2-34: Status and Error Commands

Command	Description
ALLEv?	Returns all events and their messages
BUSY?	Returns oscilloscope status
*CLS	Clears status
DESE	This command specifies the bits in the Device Event Status Enable Register
*ESE	This command specifies the bits in the Event Status Enable Register
*ESR?	Returns the contents of the Standard Event Status Register
EVENT?	Returns event code from the event queue
EVMsg?	Returns event code, message from the event queue
EVQty?	Return number of events in the event queue
*OPC	Generates the operation complete message in the standard event status register when all pending operations are finished Or returns "1" when all current operations are finished
*PSC	This command specifies the power on status flag
*PUD	This command specifies a string of protected user data
*RST	Resets the oscilloscope to factory default settings
*SRE	This command specifies the bits in the Service Request Enable Register
*STB?	Returns the contents of the Status Byte Register
*WAI	Prevents the oscilloscope from executing further commands until all pending operations finish

Trigger Command Group

Use the commands in the Trigger Command Group to control all aspects of triggering the oscilloscope. You can perform edge, pulse width, logic, video, runt, timeout, transition (rise/fall time), setup & hold and bus triggering using the A trigger. You can perform sequence edge triggering using the A and B triggers.

The MDO4000 allows you to use a change in the RF power level as a source for edge triggering. Using an MDO4000 oscilloscope with a MDO4TRIG application module installed, a change in the RF power level can also be used as a source for pulse width, timeout, runt, logic and sequence triggers.

With the MDO4000, the acquisition system is fully integrated with both the time and frequency domain channels. This means that a single event triggers all of the analog, digital and RF acquisitions, regardless of where that trigger event came from.

Example command sequences that show different triggers and searches are available. (See page F-1, *Search and Trigger Command Sequence Examples*.)

Edge Trigger

Edge triggering lets you display a waveform at or near the point where the signal passes through a voltage level of your choosing.

To set up an edge trigger, set the A trigger type to **EDGE** using the command **TRIGger:A:TYPe**. Then use the commands **TRIGger:A:EDGE:COUPling**, **TRIGger:A:EDGE:SLOpe**, and **TRIGger:A:EDGE:SOURce**. You can set the threshold voltage levels using **TRIGger:A:LEVel:AUXin**, **TRIGger:A:LEVel:CH<x>**, or **TRIGger:A:LEVel:D<x>**.

Using an MDO4000 oscilloscope, you can use the RF power level as a source in an edge trigger without installing an MDO4TRIG application module. To do this, set the oscilloscope to trigger on a rising edge with the RF power level as the source, in order to trigger on events where the RF turns on. Conversely, set it to trigger on a falling edge in order to trigger on events where the RF turns off.

Logic Trigger

Logic triggering lets you logically combine the signals on one or more channels; the oscilloscope then triggers when it detects a certain combination of signal levels (set using one of the **TRIGger:A:LOGic:INPut** commands as well as **TRIGger:A:LOGic:FUNction**). Using an MDO4000 oscilloscope with an MDO4TRIG application module installed, you can use the RF power level as a source in a logic trigger.

To set up a logic trigger, first set the trigger type to **LOGIC** using the command **TRIGger:A:TYPe**, and then use the command **TRIGger:A:LOGic:CLAss** to select **LOGIC**.

You can perform logic triggering using a clock (by setting **TRIGger:A:LOGic:INPut:CLOCK:SOURce** to one of the channels), so that the oscilloscope triggers when the specified logical combination of data channels is true during a

transition on the clock channel. The specified data sources cannot include the waveform specified as the clock source. (Use `TRIGger:A:LOGic:INPut:CH<x>`, `TRIGger:A:LOGic:INPut:D<x>`, etc.)

You can also perform logic triggering without using a clock (by setting `TRIGger:A:LOGic:INPut:CLOCK:SOURce` to `NONE`), so that the oscilloscope triggers when the specified logical pattern of data channels is met. (Use the commands `TRIGger:A:LOGic:PATtern:WHEn` and `TRIGger:A:LOGic:PATtern:DELTAtime`.)

Setup and Hold Trigger

A setup and hold trigger occurs when a logic data input changes state inside of the setup or hold time relative to a clock edge.

To set up a setup/hold trigger, first set the trigger type to `LOGIC` using the command `TRIGger:A:TYPe`, and then use the command `TRIGger:A:LOGic:CLAss` to select `SETHold`. Then use `TRIGger:A:SETHold:DATA:SOURce`, `TRIGger:A:SETHold:CLOCK:SOURce`, `TRIGger:A:SETHold:CLOCK:EDGE` and related commands.

Pulse width Trigger

A pulse width trigger occurs whenever the oscilloscope detects a pulse that is less than, greater than, equal to, or not equal to a specified time. Additionally, it can occur when the pulse width is within, or outside of a specified range. You can trigger on either positive or negative pulses. Using an MDO4000 oscilloscope with an MDO4TRIG application module installed, you can use the RF power level as a source in a pulse width trigger.

To set up a pulse width trigger, first set the trigger type to `PULSE` using the command `TRIGger:A:TYPe`. Then select `WIDTh` using the command `TRIGger:A:PULSe:CLAss`. Then use `TRIGger:A:PULSEWidth:SOURce`, `TRIGger:A:PULSEWidth:WHEn`, `TRIGger:A:PULSEWidth:WIDTh` and related commands. You can set the threshold voltage levels using `TRIGger:A:LEVel:AUXin`, `TRIGger:A:LEVel:CH<x>`, or `TRIGger:A:LEVel:D<x>`.

Runt Trigger

Runt triggering lets you trigger on a pulse amplitude that crosses one threshold but fails to cross a second threshold before recrossing the first. Using an MDO4000 oscilloscope with an MDO4TRIG application module installed, you can use the RF power level as the source in a runt trigger.

To set up a runt trigger, first set the trigger type to `PULSE` using the command `TRIGger:A:TYPe`. Then select `RUNt` using the command `TRIGger:A:PULSe:CLAss`. Then use `TRIGger:A:RUNT:SOURce`, `TRIGger:A:RUNT:WIDTh`, `TRIGger:A:RUNT:WHEn`, `TRIGger:A:UPPerthreshold:CH<x>` and related commands. You can set the threshold voltage levels using `TRIGger:A:LEVel:AUXin`, `TRIGger:A:LEVel:CH<x>`, or `TRIGger:A:LEVel:D<x>`.

Timeout Trigger

Timeout triggering causes a trigger when a signal stays above or below a specified threshold for a specified amount of time. Using an MDO4000 oscilloscope with an MDO4TRIG application module installed, you can use the RF power level as a source in a timeout trigger.

To set up a timeout trigger, first set the trigger type to `PULSe` using the command `TRIGger:A:TYPe`. Then select `TIMEOut` using the command `TRIGger:A:PULse:CLAss`. Then use `TRIGger:A:TIMEOut:SOURce`, `TRIGger:A:TIMEOut:TIME` and related commands.

Transition Trigger

Transition triggering (also called rise/fall time, and once known as slew rate) causes a trigger on pulse edges that traverse between two thresholds at a rate faster than or slower than the specified time.

To set up a transition trigger, first set the trigger type to `PULSe` using the command `TRIGger:A:TYPe`. Then select `TRANSition` using the command `TRIGger:A:PULse:CLAss`. Then use `TRIGger:A{:TRANSition|:RISEFall}:SOURce`, `TRIGger:A{:TRANSition|:RISEFall}:DELTAtime` and related commands. You can set the threshold voltage levels using `TRIGger:A:LEVel:AUXin`, `TRIGger:A:LEVel:CH<x>`, or `TRIGger:A:LEVel:D<x>`.

Bus Trigger

Bus triggering can be performed if you have one or more appropriate application modules installed (see below for application module list), except for parallel bus trigger and analysis, which is included standard with the MSO and MDO Series.

To set up a bus trigger, set the A trigger type to `BUS` using the command `TRIGger:A:TYPe`. Specify which bus (1-4) to trigger on using `TRIGger:A:BUS:SOURce`. Set the bus type (i.e., parallel, I²C, etc. using the command `TRIGger:A:BUS`. Then set the appropriate trigger criteria according to bus type (using `TRIGger:A:BUS:B<x>:AUDio:CONDition`, etc.)

Video Trigger

Video triggering enables you to trigger on the most common Standard Definition video standards. With the DPO4VID module installed, you can also trigger on the most common HDTV standards and non-standard video (bi-level sync and trilevel sync).

To set up a video trigger, set the A trigger type to `VIDeo` using the command `TRIGger:A:TYPe`. Then use `TRIGger:A:VIDeo:SOURce`, `TRIGger:A:VIDeo:STANdard`, `TRIGger:A:VIDeo:CUSTom{:FORMat|:TYPe}`, and related commands.

Sequence Trigger

Sequence triggering occurs when both the A and B triggers are used in edge triggering. Using an MDO4000 oscilloscope with an MDO4TRIG application module installed, you can use the RF power level as a source in a sequence trigger.

To set up a sequence trigger, first set up an edge trigger for the A channel as above. Then use [TRIGger:B:EDGE:COUpling](#), [TRIGger:B:EDGE:SLOpe](#), and [TRIGger:B:EDGE:SOUrce](#).

Triggering on the RF Power Level (MDO 4000 Series Models Only)

The MDO4000 allows you to trigger on a change in the RF power level as a source for Edge triggering. This enables your oscilloscope to trigger as the RF power envelope passes through a specific power level. Using an MDO4000 model with an MDO4TRIG application module installed, the RF power level can also be used as a source for pulse width, timeout, runt, logic and sequence (A and B) triggers.

To do this, use [TRIGger:A:PULSEWidth:SOUrce](#), [TRIGger:A:TIMEOut:SOUrce](#), [TRIGger:A:RUNT:SOUrce](#), [TRIGger:A:LOWerthreshold:RF](#), [TRIGger:A:UPPerthreshold:RF](#), [TRIGger:A:LOGIc:INPut:CLOCK:SOUrce](#), [TRIGger:A:LOGIc:INPut:RF](#), [TRIGger:A:LOGIc:THReshold:RF](#), etc.

The RF power level being triggered on is the total power acquired within the band, not just the current span.

Bus, Video and RF application modules

A table is available that lists all commands enabled by each application module (See page G-1, *Application Module-enabled Commands*.)

- For I²C or SPI buses, install the DPOEMBD application module.
- For RS-232, RS-422, RS-485, or UART buses, install the DPO4COMP module.
- For I²S, Left Justified (LJ), Right Justified (RJ), or TDM buses, install the DPO4AUDIO module.
- For CAN or LIN buses, install the DPO4AUTO or DPO4AUTOMAX module.
- For FlexRay buses, install the DPO4AUTOMAX module.
- For Ethernet signals, install the DPO4ENET module. Note that ≥ 350 MHz bandwidth models are recommended for 100BASE-TX.
- For MIL-STD-1553 buses, install the DPO4AERO module.
- For USB buses, install the DPO4USB module. Note that 1 GHz bandwidth models are recommended for high-speed (HS) USB.
- For video signals, install the DPO4VID module.
- For RF signals (MDO 4000 Series only), install the MDO4TRIG module.

Table 2-35: Trigger Commands

Command	Description
TRIGger	Forces a trigger event to occur
TRIGger:A	Sets A trigger level to 50% or returns current A trigger parameters
TRIGger:A:BUS	This command specifies the bus type to trigger on.
TRIGger:A:BUS:B<x>:AUDIo:CONDition	This command sets the condition (start of frame or matching data) to be used when triggering on an audio bus signal.
TRIGger:A:BUS:B<x>:AUDIo:DATa:HIVALue	This command sets the upper word value to be used when triggering on an audio bus signal.
TRIGger:A:BUS:B<x>:AUDIo:DATa:OFFSet	This command sets the data offset value to be used when triggering on an audio bus signal.
TRIGger:A:BUS:B<x>:AUDIo:DATa:QUALifier	This command sets the qualifier (<, >, =, <=, >=, not =, in range, out of range) to be used when triggering on an audio bus signal.
TRIGger:A:BUS:B<x>:AUDIo:DATa:VALue	This command sets the lower word value to be used when triggering on an audio bus signal.
TRIGger:A:BUS:B<x>:AUDIo:DATa:WORD	This command sets the alignment of the data (left, right or either) to be used to trigger on an audio bus signal.
TRIGger:A:BUS:B<x>:CAN:CONDition	This command sets the condition (start of frame, frame type, identifier, matching data, EOF, missing ACK field, bit-stuffing error) to be used when triggering on a CAN bus signal.
TRIGger:A:BUS:B<x>:CAN:DATa:DIRection	This command sets the data direction (read, write or “nocare”) to be used to search on a CAN bus signal.
TRIGger:A:BUS:B<x>:CAN:DATa:QUALifier	This command sets the qualifier (<, >, =, not =, <=) to be used when triggering on a CAN bus signal.
TRIGger:A:BUS:B<x>:CAN:DATa:SIZE	This command sets the length of the data string, in bytes, to be used when triggering on a CAN bus signal.
TRIGger:A:BUS:B<x>:CAN:DATa:VALue	This command sets the binary data value to be used when triggering on a CAN bus signal.
TRIGger:A:BUS:B<x>:CAN:FRAMetype	This command sets the frame type (data, remote, error or overload) to be used when triggering on a CAN bus signal.
TRIGger:A:BUS:B<x>:CAN{:Identifier ADDRess}:MODE	This command sets the addressing mode (standard or extended format) to be used when triggering on a CAN bus signal.
TRIGger:A:BUS:B<x>:CAN{:Identifier ADDRess}:VALue	This command sets the binary address value to be used when triggering on a CAN bus signal.
TRIGger:A:BUS:B<x>:ETHERnet:CONDition	This command specifies a field or condition within an Ethernet frame to trigger on.
TRIGger:A:BUS:B<x>:ETHERnet:DATa:HIVALue	When the Ethernet trigger condition is set to DATA, and the qualifier is set to either INrange orOUTrange, this command specifies the upper data value of the range.
TRIGger:A:BUS:B<x>:ETHERnet:DATa:OFFSet	When the Ethernet trigger condition is set to DATA, this command specifies where in the data field to look for the data trigger value.
TRIGger:A:BUS:B<x>:ETHERnet:DATa:SIZE	When the Ethernet trigger condition is set to DATA, this command specifies the number of contiguous TCP/IPv4/MAC client data bytes to trigger on.

Table 2-35: Trigger Commands (cont.)

Command	Description
TRIGger:A:BUS:B<x>:ETHERnet:DATA:VALue	When the Ethernet trigger condition is set to DATA, and the qualifier is set to LESSthan, MOREthan, EQUAL, UNEQUAL, LESSEQUAL or MOREEQUAL, this command specifies the value to trigger on.
TRIGger:A:BUS:B<x>:ETHERnet:FRAMETYPe	This command specifies the Ethernet frame type: either Basic or QTag (IEEE 802.1Q, or VLAN tagging).
TRIGger:A:BUS:B<x>:ETHERnet:IPHeader:DESTinationaddr:VALue	When the Ethernet trigger condition is set to IPHeader, this command specifies the value of the 32-bit destination address that is to be used in the trigger (along with the source address and protocol value).
TRIGger:A:BUS:B<x>:ETHERnet:IPHeader:PROTOcol:VALue	When the Ethernet trigger condition is set to IPHeader, this command specifies the value of the 8-bit protocol field that is to be used in the trigger (along with the source and destination addresses).
TRIGger:A:BUS:B<x>:ETHERnet:IPHeader:SOUrceaddr:VALue	When the Ethernet trigger condition is set to IPHeader, this command specifies the value of the 32-bit source address that is to be used in the trigger (along with the destination address and protocol value).
TRIGger:A:BUS:B<x>:ETHERnet:MAC:ADDRess:DESTination:VALue	When the Ethernet trigger condition is set to MACADDRESS, this command specifies the 48-bit MAC destination address that is to be used in the trigger (along with the source address value).
TRIGger:A:BUS:B<x>:ETHERnet:MAC:ADDRess:SOUrce:VALue	When the Ethernet trigger condition is set to MACADDRESS, this command specifies the 48-bit MAC source address value that is to be used in the trigger (along with the destination address value).
TRIGger:A:BUS:B<x>:ETHERnet:MAC{:LENGth}:TYPE}:HIVALue	When the Ethernet trigger condition is set to MACLENGth, and the qualifier is set to INrange or OUTrange, this command specifies the upper data value of the range.
TRIGger:A:BUS:B<x>:ETHERnet:MAC{:LENGth}:TYPE}:VALue	When the Ethernet trigger condition is set to MACLENGth, and the qualifier is set to LESSthan, MOREthan, EQUAL, UNEQUAL, LESSEQUAL or MOREEQUAL, this command specifies the 16-bit value to trigger on.
TRIGger:A:BUS:B<x>:ETHERnet:QTAG:VALue	When the Ethernet trigger condition is set to QTAG, this command specifies the 32-bit Q-Tag value to trigger on.
TRIGger:A:BUS:B<x>:ETHERnet:QUALifier	This command specifies the qualifier to be used when the Ethernet trigger condition is set to MACLENGth or DATA.
TRIGger:A:BUS:B<x>:ETHERnet:TCPHeader:ACKnum:VALue	When the Ethernet trigger condition is set to TCPHeader, this command specifies the 32-bit acknowledgement number that is to be used in the trigger (along with the destination and source port addresses and the sequence number).
TRIGger:A:BUS:B<x>:ETHERnet:TCPHeader:DESTinationport:VALue	When the Ethernet trigger condition is set to TCPHeader, this command specifies the 16-bit destination port address value that is to be used in the trigger (along with the acknowledgement value, source port address and the sequence number).
TRIGger:A:BUS:B<x>:ETHERnet:TCPHeader:SEQnum:VALue	When the Ethernet trigger condition is set to TCPHeader, this command specifies the 32-bit sequence number that is to be used in the trigger (along with the destination and source port addresses and the acknowledgement value).

Table 2-35: Trigger Commands (cont.)

Command	Description
TRIGger:A:BUS:B<x>:ETHERnet:TCPHeader:SOURCEport:VALue	When the Ethernet trigger condition is set to TCPHeader, this command specifies the 16-bit source port address that is to be used in the trigger (along with the destination port address, the sequence number and the acknowledgement number).
TRIGger:A:BUS:B<x>:FLEXray:CONDition	This command specifies the condition to use when triggering on a FlexRay bus signal (start of frame, frame type, ID, cycle count, header, data, ID and data, EOF, error).
TRIGger:A:BUS:B<x>:FLEXray:CYCLEcount:HIVALue	This command specifies the high value when triggering on a FlexRay bus cycle count field.
TRIGger:A:BUS:B<x>:FLEXray:CYCLEcount:QUALifier	This command specifies the qualifier (<, >, =, <=, >=, not =, in range, out of range) to use when triggering on the FlexRay bus cycle count field.
TRIGger:A:BUS:B<x>:FLEXray:CYCLEcount:VALue	This command specifies the low value when triggering on the FlexRay bus cycle count field.
TRIGger:A:BUS:B<x>:FLEXray:DATA:HIVALue	This command specifies the high value when triggering on the FlexRay bus data field.
TRIGger:A:BUS:B<x>:FLEXray:DATA:OFFSet	This command specifies the offset of the data string, in bytes, when triggering on the FlexRay bus data field.
TRIGger:A:BUS:B<x>:FLEXray:DATA:QUALifier	This command specifies the qualifier (<, >, =, <=, >=, not =, in range, out of range) to use when triggering on the FlexRay bus data field.
TRIGger:A:BUS:B<x>:FLEXray:DATA:SIZE	This command specifies the length of the data string, in bytes, when triggering on the FlexRay bus data field.
TRIGger:A:BUS:B<x>:FLEXray:DATA:VALue	This command specifies the low value when triggering on the FlexRay bus data field.
TRIGger:A:BUS:B<x>:FLEXray:EOFTYPE	This command specifies the end of file type (static, dynamic or any) when triggering on the FlexRay bus EOF field.
TRIGger:A:BUS:B<x>:FLEXray:ERRTYPE	This command specifies the error type when triggering on the FlexRay bus signal.
TRIGger:A:BUS:B<x>:FLEXray:FRAMEID:HIVALue	This command specifies the high value when triggering on the FlexRay bus frame ID field.
TRIGger:A:BUS:B<x>:FLEXray:FRAMEID:QUALifier	This command specifies the qualifier to use when triggering on the FlexRay bus frame ID field.
TRIGger:A:BUS:B<x>:FLEXray:FRAMEID:VALue	This command specifies the low value when triggering on the FlexRay bus frame ID field.
TRIGger:A:BUS:B<x>:FLEXray:FRAMEType	This command specifies the frame type (normal, payload, null, sync or startup) when triggering on the FlexRay bus signal.
TRIGger:A:BUS:B<x>:FLEXray:HEADER:CRC	This command specifies the CRC portion of the binary header string when triggering on the FlexRay bus signal.
TRIGger:A:BUS:B<x>:FLEXray:HEADER:CYCLEcount	This command specifies the cycle count portion of the binary header string when triggering on the FlexRay bus header.
TRIGger:A:BUS:B<x>:FLEXray:HEADER:FRAMEID	This command specifies the frame ID portion of the binary header string when triggering on the FlexRay bus header.

Table 2-35: Trigger Commands (cont.)

Command	Description
TRIGger:A:BUS:B<x>:FLEXray:HEADER:INDBits	This command specifies the indicator bits portion of the binary header string when triggering on the FlexRay bus header.
TRIGger:A:BUS:B<x>:FLEXray:HEADER:PAYLength	This command specifies the payload length portion of the binary header string when triggering on the FlexRay bus header.
TRIGger:A:BUS:B<x>:I2C:ADDRess:MODE	This command specifies the I2C address mode to 7 or 10-bit
TRIGger:A:BUS:B<x>:I2C:ADDRess:TYPE	This command specifies the I2C address type to USER
TRIGger:A:BUS:B<x>:I2C:ADDRess:VALue	This command specifies the binary address string used for the I2C trigger
TRIGger:A:BUS:B<x>:I2C:CONDition	This command specifies the trigger condition for I2C trigger
TRIGger:A:BUS:B<x>:I2C:DATA:DIRection	This command specifies the I2C trigger condition valid on a READ, WRITE, or either
TRIGger:A:BUS:B<x>:I2C:DATA:SIZE	This command specifies the length of the data string in bytes to be used for I2C trigger
TRIGger:A:BUS:B<x>:I2C:DATA:VALue	This command specifies the binary data string used for I2C triggering
TRIGger:A:BUS:B<x>:LIN:CONDition	This command specifies the trigger condition for LIN
TRIGger:A:BUS:B<x>:LIN:DATA:HIVALue	This command specifies the binary data string to be used for LIN trigger
TRIGger:A:BUS:B<x>:LIN:DATA:QUALifier	This command specifies the LIN data qualifier
TRIGger:A:BUS:B<x>:LIN:DATA:SIZE	This command specifies the length of the data string in bytes to be used for LIN trigger
TRIGger:A:BUS:B<x>:LIN:DATA:VALue	This command specifies the binary data string
TRIGger:A:BUS:B<x>:LIN:ERRTYPE	This command specifies the error type
TRIGger:A:BUS:B<x>:LIN:IDentifier:VALue	This command specifies the binary address string used for LIN trigger
TRIGger:A:BUS:B<x>:MIL1553B:COMMAND:ADDRess:HIVALue	When the MIL-STD-1553 bus trigger condition is set to COMMAND, and the qualifier is set to INrange or OUTrange, this command specifies the upper limit of the range for the remote terminal address field.
TRIGger:A:BUS:B<x>:MIL1553B:COMMAND:ADDRess:QUALifier	When the MIL-STD-1553 bus trigger condition is set to COMMAND, this command specifies the qualifier to be used with the remote terminal address field.
TRIGger:A:BUS:B<x>:MIL1553B:COMMAND:ADDRess:VALue	When the MIL-STD-1553 bus trigger condition is set to COMMAND, and the qualifier is set to LESSthan, MOREthan, EQUAL, UNEQUAL, LESSEQUAL or MOREEQUAL, this command specifies the value of the 5-bit remote terminal address to be used in the trigger.
TRIGger:A:BUS:B<x>:MIL1553B:COMMAND:COUNT	When the MIL-STD-1553 bus trigger condition is set to COMMAND, this command specifies the bit pattern for the 5-bit Word Count/Mode Code sub-address field that is to be used in the trigger.
TRIGger:A:BUS:B<x>:MIL1553B:COMMAND:PARity	When the MIL-STD-1553 bus trigger condition is set to COMMAND, this command specifies the Command word parity that is to be used in the trigger.
TRIGger:A:BUS:B<x>:MIL1553B:COMMAND:SUBAddress	When the MIL-STD-1553 bus trigger condition is set to COMMAND, this command specifies the 5 bit sub-address that is to be used in the trigger.
TRIGger:A:BUS:B<x>:MIL1553B:COMMAND:TRBit	When the MIL-STD-1553 bus trigger condition is set to COMMAND, this command specifies that the transmit/receive bit (bit 9) is to be used in the trigger.

Table 2-35: Trigger Commands (cont.)

Command	Description
TRIGger:A:BUS:B<x>:MIL1553B:CONDition	This command specifies a word type or condition within a MIL-STD-1553 bus word to trigger on.
TRIGger:A:BUS:B<x>:MIL1553B:DATA:PARity	When the MIL-STD-1553 bus trigger condition is set to DATA, this command specifies the data parity bit to be used in the trigger.
TRIGger:A:BUS:B<x>:MIL1553B:DATA:VALue	When the MIL-STD-1553 bus trigger condition is set to DATA, this command specifies the data binary pattern to be used in the trigger.
TRIGger:A:BUS:B<x>:MIL1553B:ERRTYPE	When the MIL-STD-1553 bus trigger condition is set to ERROR, this command specifies the signaling error type to be used in the trigger: Parity, Sync, Manchester or Data.
TRIGger:A:BUS:B<x>:MIL1553B:STATus: ADDRess:HIVALue	When the MIL-STD-1553 bus trigger condition is set to STATUS, and the qualifier is set to INrange or OUTrange, this command specifies the upper limit for the 5 bit remote terminal address field of the Status word.
TRIGger:A:BUS:B<x>:MIL1553B:STATus: ADDRess:QUALifier	When the MIL-STD-1553 bus trigger condition is set to STATUS, this command specifies the qualifier to be used with the address field.
TRIGger:A:BUS:B<x>:MIL1553B:STATus: ADDRess:VALue	When the MIL-STD-1553 bus trigger condition is set to STATUS, and the qualifier is set to LESSthan, MOREthan, EQUAL, UNEQUAL, LESSEQUAL or MOREEQUAL, this command specifies the value of the 5-bit remote terminal address to be used in the trigger.
TRIGger:A:BUS:B<x>:MIL1553B:STATus:BIT:BCR	When the MIL-STD-1553 bus trigger condition is set to STATUS, this command specifies the status word broadcast command received (BCR) bit value (bit 15) to be used in the trigger.
TRIGger:A:BUS:B<x>:MIL1553B:STATus:BIT: BUSY	When the MIL-STD-1553 bus trigger condition is set to STATUS, this command specifies the status word busy bit value (bit 16) to be used in the trigger.
TRIGger:A:BUS:B<x>:MIL1553B:STATus:BIT: DBCA	When the MIL-STD-1553 bus trigger condition is set to STATUS, this command specifies the status word dynamic bus control acceptance (DBCA) bit value (bit 18) to be used in the trigger.
TRIGger:A:BUS:B<x>:MIL1553B:STATus:BIT: INSTR	When the MIL-STD-1553 bus trigger condition is set to STATUS, this command specifies the status word instrumentation bit value (bit 10) to be used in the trigger.
TRIGger:A:BUS:B<x>:MIL1553B:STATus:BIT:ME	When the MIL-STD-1553 bus trigger condition is set to STATUS, this command specifies the status word message error bit value (bit 9) to be used in the trigger.
TRIGger:A:BUS:B<x>:MIL1553B:STATus:BIT:SRQ	When the MIL-STD-1553 bus trigger condition is set to STATUS, this command specifies the status word service request (SRQ) bit value (bit 11) to be used in the trigger.
TRIGger:A:BUS:B<x>:MIL1553B:STATus:BIT: SUBSF	When the MIL-STD-1553 bus trigger condition is set to STATUS, this command specifies the status word subsystem flag bit value (bit 17) to be used in the trigger.
TRIGger:A:BUS:B<x>:MIL1553B:STATus:BIT:TF	When the MIL-STD-1553 bus trigger condition is set to STATUS, this command specifies the status word terminal flag bit value (bit 19) to be used in the trigger.
TRIGger:A:BUS:B<x>:MIL1553B:STATus:PARity	When the MIL-STD-1553 bus trigger condition is set to STATUS, this command specifies the status parity bit value to be used in the trigger.

Table 2-35: Trigger Commands (cont.)

Command	Description
TRIGger:A:BUS:B<x>:MIL1553B:TIME:LESSLimit	When the MIL-STD-1553 bus trigger condition is set to TIME, this command specifies either the minimum remote terminal response time (RT) limit for the amount of time the terminal has to transmit, or it specifies the minimum inter-message gap (IMG).
TRIGger:A:BUS:B<x>:MIL1553B:TIME:MORELimit	When the MIL-STD-1553 bus trigger condition is set to TIME, this command specifies either the maximum remote terminal response time (RT) limit for the amount of time the terminal has to transmit, or it specifies the maximum inter-message gap (IMG).
TRIGger:A:BUS:B<x>:MIL1553B:TIME:QUALifier	When the MIL-STD-1553 bus trigger condition is set to TIME, this command specifies the trigger data time qualifier.
TRIGger:A:BUS:B<x>:PARallel:VALue	This command specifies the binary data string to be used for a Parallel trigger
TRIGger:A:BUS:B<x>:RS232C:CONDition	This command specifies the condition for an RS-232C trigger
TRIGger:A:BUS:B<x>:RS232C:RX:DATA:SIZE	This command specifies the length of the data string in Bytes for an RX RS-232 Trigger
TRIGger:A:BUS:B<x>:RS232C:RX:DATA:VALue	This command specifies the binary data string for an RX RS-232 trigger
TRIGger:A:BUS:B<x>:RS232C:TX:DATA:SIZE	This command specifies the length of the data string for a TX RS-232 trigger
TRIGger:A:BUS:B<x>:RS232C:TX:DATA:VALue	This command specifies the binary data string for an RS-232 trigger if the trigger condition involves TX
TRIGger:A:BUS:B<x>:SPI:CONDition	This command specifies the trigger condition for SPI triggering
TRIGger:A:BUS:B<x>:SPI:DATA{IN MISO}:VALue	This command specifies the binary data string to be used for SPI trigger
TRIGger:A:BUS:B<x>:SPI:DATA{OUT MOSI}:VALue	This command specifies the binary data string used for the SPI trigger
TRIGger:A:BUS:B<x>:SPI:DATA:SIZE	This command specifies the length of the data string in bytes to be used for SPI trigger
TRIGger:A:BUS:B<x>:USB:ADDRess:HIVALue	This command specifies the high limit for the USB trigger address
TRIGger:A:BUS:B<x>:USB:ADDRess:VALue	This command specifies the value for the USB trigger address
TRIGger:A:BUS:B<x>:USB:CONDition	This command specifies the USB trigger condition
TRIGger:A:BUS:B<x>:USB:DATA:HIVALue	This command specifies the high limit for the USB trigger data
TRIGger:A:BUS:B<x>:USB:DATA:OFFSet	This command specifies the data offset for the USB trigger data
TRIGger:A:BUS:B<x>:USB:DATA:SIZE	This command specifies the number of data bytes for the USB trigger
TRIGger:A:BUS:B<x>:USB:DATA:TYPe	This command specifies the data type for the USB trigger
TRIGger:A:BUS:B<x>:USB:DATA:VALue	This command specifies the data value for the USB trigger
TRIGger:A:BUS:B<x>:USB:ENDPoint:VALue	This command specifies the endpoint value for the USB trigger
TRIGger:A:BUS:B<x>:USB:ERRType	This command specifies the error type for the USB trigger
TRIGger:A:BUS:B<x>:USB:HANDSHAKType	This command specifies the handshake type for the USB trigger
TRIGger:A:BUS:B<x>:USB:QUALifier	This command specifies the qualifier for USB trigger
TRIGger:A:BUS:B<x>:USB:SOFFRAMENUMber	This command specifies the SOF number for the USB trigger
TRIGger:A:BUS:B<x>:USB:SPECIALType	This command specifies the special packet type for the USB trigger
TRIGger:A:BUS:B<x>:USB:SPLit:ET:VALue	When triggering on a high-speed USB split transaction, this command specifies the split transaction endpoint type value to trigger on.

Table 2-35: Trigger Commands (cont.)

Command	Description
TRIGger:A:BUS:B<x>:USB:SPLit:HUB:VALue	When triggering on a high-speed USB split transaction, this command specifies the split transaction hub address value to trigger on.
TRIGger:A:BUS:B<x>:USB:SPLit:PORT:VALue	When triggering on a high-speed USB split transaction, this command specifies the split transaction port address value to trigger on.
TRIGger:A:BUS:B<x>:USB:SPLit:SC:VALue	When triggering on a high-speed USB split transaction, this command specifies whether to trigger on the start or complete phase of the split transaction, based on the Start/Complete bit field value.
TRIGger:A:BUS:B<x>:USB:SPLit:SE:VALue	When triggering on a high-speed USB split transaction, this command specifies the split transaction start/end bit value to trigger on.
TRIGger:A:BUS:B<x>:USB:TOKENType	This command specifies the token type for the USB trigger
TRIGger:A:BUS:SOUrce	This command specifies the source for a bus trigger
TRIGger:A:EDGE?	Returns the source, coupling and source for the A edge trigger
TRIGger:A:EDGE:COUPling	This command specifies the type of coupling for the A edge trigger
TRIGger:A:EDGE:SLOpe	This command specifies the slope for the A edge trigger
TRIGger:A:EDGE:SOUrce	This command specifies the source for the A edge trigger
TRIGger:A:HOLDOff?	Returns the A trigger holdoff parameters
TRIGger:A:HOLDOff:TIME	This command specifies the A trigger holdoff time
TRIGger:A:LEVel:AUXin	Sets the threshold voltage level for an Edge, Pulse Width, Runt or Rise/Fall (aka Transition, aka Slew Rate) trigger to use when triggering on the auxiliary input waveform.
TRIGger:A:LEVel:CH<x>	Sets the threshold voltage level for an Edge, Pulse Width, Runt or Rise/Fall (aka Transition, aka Slew Rate) trigger to use when triggering on an analog channel waveform.
TRIGger:A:LEVel:D<x>	Sets the threshold voltage level for an Edge, Pulse Width, Runt or Rise/Fall (aka Transition, aka Slew Rate) trigger to use when triggering on a digital channel waveform.
TRIGger:A:LOGic?	Returns all A trigger logic settings
TRIGger:A:LOGic:CLAss	This command sets the class of the logic trigger (either logic or setup/hold). You also need to set the trigger type using the command TRIGger:A:TYPE .
TRIGger:A:LOGic:FUNcTion	This command specifies the logical combination of the input channels for the A logic trigger
TRIGger:A:LOGic:INPut?	Returns the logic input values for all channels
TRIGger:A:LOGic:INPut:CH<x>	Specifies or returns the logic setting for the specified channel
TRIGger:A:LOGic:INPut:CLOCK:EDGE	Sets the polarity of the clock channel
TRIGger:A:LOGic:INPut:CLOCK:SOUrce	This command specifies the channel to use as the clock source
TRIGger:A:LOGic:INPut:D<x>	This command specifies the logic pattern for a trigger on digital channel <x>
TRIGger:A:LOGic:INPut:RF	This command specifies the logic level to use when the internal RF power level is the source for a logic pattern trigger.
TRIGger:A:LOGic:PATtern?	Returns the conditions for generating an A logic pattern trigger
TRIGger:A:LOGic:PATtern:DELTAtime	This command specifies the pattern trigger delta time value

Table 2-35: Trigger Commands (cont.)

Command	Description
TRIGger:A:LOGic:PATtern:WHEn	This command specifies the pattern logic condition on which to trigger the oscilloscope
TRIGger:A:LOGic:THReshold:CH<x>	Sets or queries the trigger A logic threshold voltage for the specified channel.
TRIGger:A:LOGic:THReshold:RF	This command specifies the threshold to use when the internal RF power level is the source for a logic trigger. It will affect all trigger types using the channel.
TRIGger:A:LOGic:THReshold:D<x>	This command specifies the trigger A logic threshold level for the specified digital channel.
TRIGger:A:LOWerthreshold:CH<x>	This command specifies the lower threshold for the channel selected.
TRIGger:A:LOWerthreshold:D<x>	Sets the A trigger lower threshold for the digital channel selected.
TRIGger:A:LOWerthreshold:{AUX EXT}	This command specifies the lower threshold for the Auxiliary input.
TRIGger:A:LOWerthreshold:RF	This command specifies the lower threshold when using the internal RF power level for a RUNT trigger, or the single threshold in the cases of the PULSE and TIMEOUT triggers.
TRIGger:A:MODE	This command specifies the A trigger mode – either AUTO or NORMAL.
TRIGger:A:PULse:CLAss	This command specifies which kind of pulse to trigger on (either runt, width, transition (rise/fall or slew rate) or timeout). You also need to set the trigger type to PULSe using the command TRIGger:A:TYPE .
TRIGger:A:PULSEWidth:HIGHLimit	This command specifies the upper limit to use, in seconds, when triggering on detection of a pulse whose duration is inside or outside a range of two values. (Use TRIGger:A:PULSEWidth:LOWLimit to specify the lower value of the range.)
TRIGger:A:PULSEWidth:LOWLimit	This command specifies the lower limit to use, in seconds, when triggering on detection of a pulse whose duration is inside or outside a range of two values. (Use TRIGger:A:PULSEWidth:HIGHLimit to specify the upper limit of the range.)
TRIGger:A:PULSEWidth:POLarity	This command specifies the polarity for the A pulse width trigger
TRIGger:A:PULSEWidth:SOUrce	This command specifies the source for the pulse width trigger
TRIGger:A:PULSEWidth:WHEn	This command specifies to trigger when a pulse is detected with a width (duration) that is less than, greater than, equal to, or unequal to a specified value (set using TRIGger:A:PULSEWidth:WIDTH), OR whose width falls outside of or within a specified range of two values (set using TRIGger:A:PULSEWidth:LOWLimit and TRIGger:A:PULSEWidth:HIGHLimit).
TRIGger:A:PULSEWidth:WIDTH	This command specifies the pulse width (duration), in seconds, for triggering on pulses whose widths are greater than, less than, equal to, or not equal to the specified value.
TRIGger:A:RUNT?	Returns the current A runt pulse trigger logic parameters
TRIGger:A:RUNT:POLarity	This command specifies the polarity for the A pulse runt trigger
TRIGger:A:RUNT:SOUrce	This command specifies the source for the A pulse trigger
TRIGger:A:RUNT:WHEn	This command specifies the type of pulse width the trigger checks for when it uncovers a runt
TRIGger:A:RUNT:WIDTH	This command specifies the minimum width for A pulse runt trigger
TRIGger:A:SETHold?	Returns settings for setup and hold violation triggering

Table 2-35: Trigger Commands (cont.)

Command	Description
TRIGger:A:SETHold:CLOCK?	Returns clock edge polarity, voltage threshold and source input for setup/hold triggering
TRIGger:A:SETHold:CLOCK:EDGE	This command specifies the clock edge polarity for setup and hold triggering
TRIGger:A:SETHold:CLOCK:SOURce	This command specifies the clock source for the A logic trigger setup and hold input
TRIGger:A:SETHold:CLOCK:THReshold	This command specifies the clock voltage threshold for setup and hold trigger
TRIGger:A:SETHold:DATA?	Returns the voltage threshold and data source for the setup/hold trigger
TRIGger:A:SETHold:DATA:SOURce	This command specifies the data source for the setup and hold trigger
TRIGger:A:SETHold:DATA:THReshold	This command specifies the data voltage threshold for setup and hold trigger
TRIGger:A:SETHold:HOLDTime	This command specifies the hold time for the setup and hold violation triggering
TRIGger:A:SETHold:SETTime	This command specifies the setup time for setup and hold violation triggering
TRIGger:A:SETHold:THReshold:CH<x>	Sets or queries the threshold for the channel
TRIGger:A:SETHold:THReshold:D<x>	Sets the A trigger setup and hold threshold for the selected digital channel
TRIGger:A:TIMEOut:POLarity	When triggering using the <code>TIMEOut</code> trigger type, this commands specifies the polarity to be used.
TRIGger:A:TIMEOut:SOURce	When triggering using the <code>TIMEOut</code> trigger type, this command specifies the source. The available sources are live channels, external (or auxillary) input, and, for MSO/MDO models, the digital channels. The default is channel 1.
TRIGger:A:TIMEOut:TIME	When triggering using the <code>TIMEOut</code> trigger type, this command specifies the timeout time, in seconds. The default and minimum is 4.0E-9 seconds and the maximum is 8.0 seconds. The resolution is 800.0E-12 which means that the increments of time specified is 800 picoseconds.
TRIGger:A:TYPE	This command sets the type of A trigger (edge, logic, pulse, bus or video). If you set the trigger type to <code>LOGic</code> , you also need to set the logic trigger class (logic or setup/hold) using the command TRIGger:A:LOGic:CLAss . If you set the trigger type to <code>PULSe</code> , you also need to set the pulse trigger class (runt, width, transition or timeout), using the command TRIGger:A:PULse:CLAss .
TRIGger:A{:TRANSition}:RISEFall?	Returns the delta time, polarity, and both upper and lower threshold limits for the transition time trigger
TRIGger:A{:TRANSition}:RISEFall}:DELtAtime	This command specifies the delta time used in calculating the transition value
TRIGger:A{:TRANSition}:RISEFall}:POLarity	This command specifies the polarity for the A pulse transition trigger
TRIGger:A{:TRANSition}:RISEFall}:SOURce	This command specifies the source for transition trigger.
TRIGger:A{:TRANSition}:RISEFall}:WHEN	This command specifies the relationship of delta time to transitioning signal
TRIGger:A:TYPE	This command specifies the type of A trigger. Once you have set the trigger type, you may also need to identify the associated trigger class. For details on selecting Logic and Pulse trigger classes, see TRIGger:A:LOGic:CLAss and TRIGger:A:PULse:CLAss respectively.
TRIGger:A:UPPerthreshold:CH<x>	Sets the upper threshold for the channel selected
TRIGger:A:UPPerthreshold:RF	This command specifies the upper threshold when the internal RF power level is used as a trigger. This is only applicable to the <code>RUNT</code> trigger type.
TRIGger:A:VIDeo?	Returns the video parameters for the A trigger

Table 2-35: Trigger Commands (cont.)

Command	Description
TRIGger:A:VIDeo:CUSTom{:FORMat :TYPE}	This command sets the video trigger format (either interlaced or progressive) to use for triggering on video signals.
TRIGger:A:VIDeo:CUSTom:LINEPeriod	This command sets the line period for the standard under test.
TRIGger:A:VIDeo:CUSTom:SYNCInterval	This command sets the sync interval for the standard under test to use for triggering on video signals. This is only required for BiLevel Custom.
TRIGger:A:VIDeo:HOLDoff:FIELD	This command sets the video trigger holdoff, in terms of video fields, to use for triggering on video signals.
TRIGger:A:VIDeo:LINE	This command sets the video line number to use for triggering on video signals.
TRIGger:A:VIDeo:POLarity	This command sets the polarity to use for triggering on video signals.
TRIGger:A:VIDeo:SOUrce	This command sets the source channel to use for triggering on video signals (CH1–4 or D0–D15).
TRIGger:A:VIDeo:STANDard	This command sets the standard to use for triggering on video signals.
TRIGger:A:VIDeo{:SYNC :FIELD}	This command sets the video field to use for triggering on video signals (odd, even, all fields, all lines, numeric).
TRIGger:B	Sets the B trigger level to 50% or returns the B trigger parameters
TRIGger:B:BY	This command specifies B trigger time or event qualifiers
TRIGger:B:EDGE?	Returns B trigger edge type parameters
TRIGger:B:EDGE:COUPling	This command specifies the type of B trigger coupling
TRIGger:B:EDGE:SLOpe	This command specifies the B edge trigger slope
TRIGger:B:EDGE:SOUrce	This command specifies the B edge trigger source
TRIGger:B:EVENTS?	Returns the current B trigger events parameter
TRIGger:B:EVENTS:COUNT	This command specifies the number of events that must occur before the B trigger occurs
TRIGger:B:LEVel	This command specifies the level for the B trigger
TRIGger:B:LEVel:CH<x>	This command specifies the level for the B trigger for a specific channel
TRIGger:B:LEVel:D<x>	This command specifies the B trigger level for digital channel <x>
TRIGger:B:LOWerthreshold:CH<x>	This command specifies the B trigger lower threshold for the channel selected
TRIGger:B:LOWerthreshold:D<x>	Sets or queries the B trigger lower threshold for the digital channel selected
TRIGger:B:STATE	Returns the current state of the B trigger
TRIGger:B:TIME	This command specifies the B trigger delay time
TRIGger:B:TYPE	This command specifies the type of B trigger
TRIGger:EXTernal?	Returns external trigger parameters
TRIGger:EXTernal:PRObe	This command specifies the attenuation factor value of the external probe connector
TRIGger:EXTernal:YUNIts?	Returns the external trigger vertical (Y) units value
TRIGger:FREQuency?	Returns the trigger frequency in hertz, if available
TRIGger:STATE?	Returns the current state of the triggering system

Vertical Command Group

Use the commands in the Vertical Command Group to control the vertical setup of all live (channel) waveforms for acquisition and display of channel, reference, and math waveforms.

Use the command `CH<x>:YUNits` to set the vertical units for each channel. The vertical units affect the “Probe Type” that is shown in the “Probe Setup” menu:

- Setting `CH<x>:YUNits` to “v” causes the probe type to be displayed as “Voltage”.
- When `CH1:AMSVIAVOLTS:ENable` is set to OFF, setting `CH<x>:YUNits` to “A” causes the probe type to be displayed as “Current”.
- Setting `CH<x>:YUNits` to anything else causes the probe type not to be displayed (neither “Voltage” nor “Current” are highlighted).

Table 2-36: Vertical Commands

Command	Description
<code>AUXin?</code>	Returns auxiliary input parameters
<code>AUXin:PRObe</code>	Returns all information concerning the probe attached to auxiliary input
<code>AUXin:PRObe:AUTOZero</code>	Sets the TekVPI probe attached to the auxiliary input to autozero
<code>AUXin:PRObe:CALibrate:CALIBRATABLE?</code>	This query indicates whether the attached probe is calibratable.
<code>AUXin:PRObe:COMMAND</code>	Sets the state of the specified probe control
<code>AUXin:PRObe:DEGAUss</code>	Starts a degauss/autozero cycle on a TekVPI current probe attached to the auxiliary input
<code>AUXin:PRObe:DEGAUss:STATE?</code>	Returns the degauss state of the TekVPI current probe attached to the auxiliary input
<code>AUXin:PRObe:FORCEDRange</code>	This command specifies the range of the TekVPI probe attached to the auxiliary input
<code>AUXin:PRObe:GAIN</code>	This command specifies the gain factor of the probe that is attached to the auxiliary input
<code>AUXin:PRObe:ID:SERnumber?</code>	Returns the serial number of the probe that is attached to the auxiliary input
<code>AUXin:PRObe:ID:TYPE?</code>	Returns the type of probe that is attached to the auxiliary input
<code>AUXin:PRObe:RESistance?</code>	Returns the resistance of the probe that is attached to the auxiliary input
<code>AUXin:PRObe:SIGNAL</code>	This command specifies the input bypass setting on VPI probes that support input bypass
<code>AUXin:PRObe:UNIts?</code>	Returns the units of measure of the probe that is attached to the auxiliary input
<code>CH<x>?</code>	Returns vertical parameters for the specified channel
<code>CH<x>:AMPSVIAVOLTS:ENable</code>	This command specifies the state of the amps via volts feature for the specified channel
<code>CH<x>:AMPSVIAVOLTS:FACTOR</code>	This command specifies the amps via volts factor for the specified channel
<code>CH<x>:BANDwidth</code>	This command specifies the bandwidth of the specified channel
<code>CH<x>:COUPling</code>	This command specifies the coupling setting for the specified channel

Table 2-36: Vertical Commands (cont.)

Command	Description
CH<x>:DESKew	This command specifies the deskew time for the specified channel
CH<x>:INVert	This command specifies the invert function for the specified channel
CH<x>:LABel	This command specifies the waveform label for channel <x>
CH<x>:OFFSet	This command specifies the channel offset
CH<x>:POSition	This command specifies the channel vertical position
CH<x>:PRObe?	Returns the gain, resistance, units, and ID of the probe that is attached to the specified channel
CH<x>:PRObe:AUTOZero	Sets the TekVPI probe attached to the specified channel input to autozero
CH<x>:PRObe:CALibrate	This command executes a calibration or initialization for the probe attached to the auxiliary input, if the probe is calibratable.
CH<x>:PRObe:CALibrate:CALIBRATABLE?	This query returns the state of the probe attached to channel 1–4, either 0 if the probe is not calibratable, or 1 if the probe is calibratable.
CH<x>:PRObe:CALibrate:STATE?	This query returns the calibration state of the probe connected to the specified channel.
CH<x>:PRObe:COMMAND	Sets the state of the specified probe control
CH<x>:PRObe:DEGAUss	Starts a degauss/autozero cycle on a TekVPI current probe attached to the specified channel input
CH<x>:PRObe:DEGAUss:STATE?	Returns the state of the probe degauss
CH<x>:PRObe:FORCEDRange	This command specifies the range on a TekVPI probe attached to the specified channel
CH<x>:PRObe:GAIN	This command specifies the gain factor of the probe that is attached to the specified channel
CH<x>:PRObe:ID?	Returns the type and serial number of the probe that is attached to the specified channel
CH<x>:PRObe:ID:SERnumber?	Returns the serial number of the probe that is attached to the specified channel
CH<x>:PRObe:ID:TYPE?	Returns the type of probe that is attached to the specified channel
CH<x>:PRObe:MODEl	This command specifies the probe model for the specified channel
CH<x>:PRObe:PROPDElay	This command specifies the propagation delay for the probe connected to the specified channel
CH<x>:PRObe:RECDESkew?	Returns the recommended deskew for the probe connected to the specified channel
CH<x>:PRObe:RESistance?	Returns the resistance of the probe that is attached to the specified channel
CH<x>:PRObe:SIGnal	This command specifies the input bypass setting of channel <x> TekVPI probe
CH<x>:PRObe:UNIts?	Returns the units of measure of the probe that is attached to the specified channel
CH<x>:SCALE	This command specifies the vertical scale of the specified channel
CH<x>:TERmination	This command specifies channel input termination
CH<x>:YUNits	This command specifies the units for the specified channel
D<x>	Returns parameters for digital channel <x>

Table 2-36: Vertical Commands (cont.)

Command	Description
D<x>:LABel	This command specifies the waveform label for digital channel<x>
D<x>:THReshold	This command specifies the logical threshold for the digital channel <x>, where x is the digital channel number D0 – D15.
D<x>:POSition	This command specifies the vertical position for digital channel <x>
DESkew	Causes the deskew values for all channels to be set to the recommended values
DESkew:DISPlay	This command specifies the state of the deskew table display
REF<x>?	Returns reference waveform data for channel <x>
REF<x>:DATE?	Returns the date that a reference waveform was stored
REF<x>:HORizontal:DELay:TIMe	This command specifies the horizontal position of the specified reference waveform in percent of the waveform that is displayed to the right of the center vertical graticule
REF<x>:HORizontal:SCAle	This command specifies the horizontal scale for a reference waveform
REF<x>:LABel	This command specifies the specified reference waveform label
REF<x>:TIMe?	Returns the time that a reference waveform was stored
REF<x>:VERTical:POSition	This command specifies the vertical position of the specified reference waveform
REF<x>:VERTical:SCAle	This command specifies the reference waveform vertical scale in vertical units/div
SElect	Returns information on which waveforms are on or off and which waveform is selected.
SElect:{BUS<x> B<x>}	Turns on or off the specified bus waveform or returns whether the specified bus channel is on or off
SElect:CH<x>	Turns on or off the specified waveform or returns whether the specified channel is on or off
SElect:CONTROI	This command specifies the waveform that is selected as the implied recipient of channel-related commands
SElect:DAIl	This command turns on or off all digital channels (D0 — D15).
SElect:D<x>	Turns on the display of digital channel <x> and resets the acquisition
SElect{:MATH :MATH1}	Turns on or off the math waveform or returns whether the math waveform is on or off
SElect:REF<x>	Turns on or off the specified reference waveform or returns whether the specified reference waveform is on or off

Waveform Transfer Command Group

(See Table 2-41.)

The **CURVE** and other commands and queries in the Waveform Transfer Command Group are used to transfer waveform data points to and from the oscilloscope. The waveform data points are a collection of values that represent the amplitude

of the waveform samples. One data value usually represents one data point in the waveform record. Only one waveform can be transferred at a time.

Each waveform you transfer has an associated waveform preamble, which contains information such as data format, horizontal scale, vertical scale, and the other settings in effect when the waveform was created. When you transfer a waveform, you need to specify at least some of the general and preamble settings (using the `DATAa`, `WFMinpre` or `WFMOutpre` commands) before you specify the raw data point information (using the `CURVE` command or query.)

Waveform data can be transferred to or from the oscilloscope using the Ethernet or USBTMC interfaces in binary or ASCII format. Binary data transfer is considerably more efficient than ASCII data transfer. Binary data is transferred to and from the oscilloscope using the IEEE488.2 arbitrary block format (7.7.6 of the IEEE488.2 spec) which we refer to in this document as “binary block format”. A binary block is represented as:

```
#N<N-Digits><binary data>
```

Where:

The “#” is the arbitrary block token.

N is a single hexadecimal digit specifying how many decimal digits immediately follow.

<N-Digits> is a decimal number N digits long, that specifies the number of binary data bytes to follow.

<binary data> is the binary data which should be exactly N-Digits bytes in length.

NOTE. *If you would like to save or recall a waveform to or from a file, use the [SAVE:WAVEform](#) and [RECALL:WAVEform](#) commands.*

Transferring a Waveform From an Oscilloscope to a Computer

Use the `DATAa` commands and `WFMOutpre` commands to specify the attributes of the waveform being transferred from the oscilloscope. You must, at a minimum, specify the waveform source (using the `DATA:SOURce` command) and data format (using the `DATA:ENCdg` and `DATA:WIDth` commands).

Then, use the `WFMOutpre?` query, which provides the context needed to interpret the waveform data points. Finally, use the `CURVE?` query to transfer the waveform data points. (You can also use the `WAVFrm?` query, which concatenates the `WFMOutpre?` and `CURVE?` queries.)

NOTE. In order to guarantee that the waveform data returned from *CURVE?* queries of multiple waveforms are correlated to the same acquisition, you should use single sequence acquisition mode to acquire the waveform data from a single acquisition. Single sequence acquisition mode is enabled using *ACQUIRE:STOPAfter SEQUENCE*.

NOTE. The *WFMOutpre:BYT_Nr* and *WFMOutpre:BIT_Nr* settings are directly related; setting one causes the other to be set accordingly. For example, *WFMOutpre:BYT_Nr 2* causes *WFMOutpre:BIT_Nr* to be set to 16 (2 * 8 bits/byte). Similarly, setting *WFMOutpre:BIT_Nr* to 16 causes *WFMOutpre:BYT_Nr* to be set to 2.

Following is an example command sequence that illustrates how to transfer waveform data from the oscilloscope to the computer.

In this case, let's say you'd like to transfer 10,000 points from channel 1, in ASCII format with 1 byte per point, to your computer program.

Table 2-37: Example Command Sequence for Transferring Waveform Data From Oscilloscope to Computer

Item	Description
:DATA:SOURce CH1	Sets the source waveform to be transferred to Channel 1.
:DATA:STARt 1	This, along with DATA:STOP, specifies the portion of the waveform record that will be transferred .
:DATA:STOP 10000	
:DATA:ENCdg ASCII	Sets the data format to ASCII. (This command replaces <i>WFMOutpre:ENCdg</i> , <i>WFMOutpre:BN_Fmt</i> and <i>WFMOutpre:BYT_Or</i> with a single command.)
:DATA:WIDth 1	Sets 1 byte per point (same as <i>WFMOutpre:BYT_Nr</i>).
:HEADer 1	Turning on HEADer and VERBose will allow you to view the <i>WFMOutpre?</i> parameters in context.
:VERBose	1
:WFMOutpre?	The <i>WFMOutpre?</i> query provides the information needed to interpret the waveform data point information that will be returned from the <i>CURVE</i> query.
:HEADer 0	You may want to turn the header off before doing the <i>CURVE</i> query, because with the header on, a <i>CURVE</i> query will return the <i>CURVE</i> command header followed by a space and the ASCII waveform data.
:CURVe?	Transfers the data points.

NOTE. *Command sequence examples as well as several comprehensive examples of what the `WFMOutpre?` query might return using different data sources are included as an appendix. (See page D-1, *Waveform Transfer (WFMOutpre and CURVe Query) Examples.*)*

Example 1: Analog Waveform (channel 1 - 4)

Example 2: Digital Waveform (channel DO-D15)

Example 3: The Digital Collection with 4 Bytes Per Point with MagniVu Off

Example 4: The Digital Collection with 8 Bytes Per Point with MagniVu Off

Example 5: The Digital Collection with 4 Bytes Per Point with MagniVu On

Example 6: The Digital Collection with 8 Bytes Per Point with MagniVu On

Example 7: RF Frequency Domain Waveform

NOTE. *When you do a `WFMOutpre?` query in an interactive session during program development, it's a good idea to first turn on the header and verbose features (using the `HEADer` and `VERBoSe` commands) in order to see the returned values in context.*

Waveform Sources. Valid waveform sources that can be transferred from the oscilloscope (using the `DATA:SOURCE` command) include:

CH1 – CH4 – Analog channels. When `DATA:SOURCE` is set to one of these sources, the data points represent digitizing levels. There are 25 digitizing levels per vertical division for 1-byte data, and 6400 digitizing levels per vertical division for 2-byte data. These data points can be transferred in signed or unsigned integer formats.

D0 – D15 — The digital input channels (MSO/MDO models only). When `DATA:SOURCE` is set to one of these, the data points are binary states (0 or 1). These data points can be transferred in widths of 1 or 2 bytes, as signed or unsigned integers.

DIGital — The Digital Collection. These data points are binary states (0 or 1) that can be transferred in widths of 4 or 8 bytes, as signed or unsigned integers. For ASCII encoding, the data is transferred as hexadecimal values with leading zeroes suppressed. When `DATA:SOURCE` is set to `DIGital`, this represents a collection of information that differs depending on the data width (set using either the `DATA:WIDTH` or `WFMOutpre:BYT_Nr` command.)

- When the data width is set to 4 bytes, the Digital Collection is the states of digital channels D0 – D15, plus the digital representations of analog channels 1 – 4, plus the trigger state.
- When the data width is set to 8 bytes, the Digital Collection is the transition state information for digital channels D0 – D15, plus the digital representations of analog channels 1 – 4. For more information, see the section below “Further Explanation of Digital Collection Data”. (MSO/MDO models only.)

RF_NORMAL, RF_AVERAGE, RF_MAXHold, RF_MINHold - these are the RF frequency domain traces (MDO models only). When `DATA:SOURCE` is set to one of these traces, the data points represent the amplitude of the trace in Watts, and are floating point values. The frequency domain trace data is returned as 4-byte floating point values. (Note that `CURVE?` always returns linear Watts, not the display units.)

RF_AMPLitude, RF_FREQUency, RF_PHASE – these are the RF time domain traces (MDO models only.) When `DATA:SOURCE` is set to one of these traces, the data points are the Amplitude vs. Time, Frequency vs. Time, or Phase vs. Time representations of the RF input signal.

The RF time domain traces are returned as 1-byte or 2-byte integers, depending on the `DATA:WIDTH` setting. The default is 1 byte per point.

- **RF_FREQUency** – frequency in Hz.
- **RF_PHASE** – phase in degrees.
- **RF_AMPLitude** – amplitude in Volts.

MATH — The format of MATH data is dependent upon the sources for the math waveform. For analog channel sources, the format is that for the analog channels described above. For spectrum math, the format is the same as for RF frequency domain traces, which is 4-byte floating point data.

REF1-REF4 — The format of REF data is dependent upon the sources from which the reference waveform was created. For analog channel sources, the format is that for the analog channels described above. For RF frequency domain sources, the format is that for the RF frequency domain traces, which is 4-byte floating point data.

NOTE. *When you change the `DATA:SOURCE` setting, all of the associated settings for the waveform preamble (`WFMOupre` commands) are automatically adjusted for the specified source waveform. The specified source waveform must be turned on.*

Data Encoding and Widths. Data transferred from the oscilloscope using the `CURVE` query can be sent in either ASCII or binary formats. ASCII data is sent as a comma-separated list of decimal values. Binary data is sent with the IEEE488.2 binary block header, immediately followed by the binary data.

You can specify the format for waveform transfers from the oscilloscope using the combination of `WFMOutpre:ENCdg`, `WFMOutpre:BN_Fmt` and `WFMOutpre:BYT_Or` commands. Or else you can simply use the `DATA:ENCdg` command, which combines all three.

ASCII data is represented by signed integer values for analog and digital channels and by 4-byte floating point values for the RF frequency domain traces (`RF_NORMal`, `RF_AVERage`, `RF_MAXHold`, `RF_MINHold`). The range of the values depends on the data width (specified using the `WFMOutpre:BYT-Nr` or `DATA:WIDTh` command). One byte wide data ranges from -128 to 127. Two byte wide data ranges from -32768 to 32767. For digital channels D0 through D15, the values returned are 0 or 1. For the Digital Collection, ASCII data is returned in hexadecimal format with any leading zeroes omitted.

Transferring a Waveform From a Computer to an Oscilloscope's Internal Reference Memory

Waveforms sent from a computer program TO the oscilloscope are always stored in one of the internal reference memory locations (REF1-4). Use `DATA:DESTination` to specify the reference memory location, as well other `DATA` commands to specify record start and stop points. Next, use the `WFMinpre` commands to specify the waveform's data format, scale, domain and other attributes that will be used to convert raw data points into the scope's internal waveform points. Then, use `WFMinpre?` to verify your settings. Finally, use the `CURVE` command to transfer the raw data points.

Following is an example command sequence that illustrates how to transfer waveform data to the oscilloscope's internal reference memory.

In this case, let's say you have created a waveform on your computer and would like to transfer 10,000 data points of it, in ASCII format with 1 byte per point, to your oscilloscope's internal reference memory location REF2.

NOTE. *The `WFMinpre:BYT_Nr` and `WFMinpre:BIT_Nr` settings are directly related; setting one causes the other to be set accordingly. For example, `WFMinpre:BYT_Nr 2` causes `WFMinpre_BIT_Nr` to be set to 16 (2 * 8 bits/byte). Similarly, setting `WFMinpre:BIT_Nr` to 16 causes `WFMinpre:BYT_Nr` to be set to 2.*

Table 2-38: Example Command Sequence for Transferring Waveform Data From Computer to Oscilloscope

Item	Description
<code>:DATA:DESTination REF2</code>	Selects REF 2 as the internal reference memory location that the incoming waveform will be transferred to.
<code>:DATA:START 1</code>	This, along with <code>DATA:STOP</code> , specifies the starting and ending points of the waveform record that will be transferred to REF2.
<code>:DATA:STOP</code>	10000

Table 2-38: Example Command Sequence for Transferring Waveform Data From Computer to Oscilloscope (cont.)

Item	Description
:WFMinpre:DOMain TIME	Specifies that the data to be transferred is a time domain waveform, and therefore should be treated as integers (as opposed to a frequency domain waveform, which uses floating point).
:WFMinpre:BYT_Nr 1	Sets the number of bytes per data point in the waveform data to be sent to REF2 to 1.
:WFMinpre:BIT_Nr 8	Sets the number of bits per binary data point to 8.
:WFMinpre:ENCdg ASCII	Specifies that the incoming waveform uses the ASCII format.
:WFMinpre:NR_Pt 10000	Sets the number of data points that are being sent to REF2 to 10000.
:WFMinpre:PT_Fmt Y	Specifies that the incoming waveform is a normal one, where one ASCII or binary data point is transmitted for each point in the waveform record (as opposed to envelope).
:WFMinpre:XUNit "S"	Sets the horizontal units of the x-axis of the data points to seconds.
:WFMinpre:XINcr 4.0000E-9	Sets the horizontal interval between the incoming waveform points, using the units specified above.
:WFMinpre:XZERo -20.0000E-6	Sets the position value of the first data point in the incoming waveform record.
:WFMinpre:YUNit "V"	Specifies that Volts are the vertical units of the data points being sent.
:WFMinpre:YMUIt 4.0000E-3	Specifies the vertical scale multiplying factor used to convert the incoming data points from digitizing levels into the units specified above.
:WFMinpre:YOFF 0.0E+0	Specifies that the vertical position in digitizing levels of the incoming reference waveform is 0.
:WFMinpre:YZEro 0.0E+0	Specifies that the vertical offset of the incoming waveform is 0.
:HEADer 1	Turning on HEADer and VERBose will allow the WFMinpre? parameters to be viewed in context.
:VERBose 1	
:WFMinpre?	Do this query to verify your settings.
:CURVe <10,000 ASCII data points, each separated by a comma>	Sends the data points to REF2.

Scaling Waveform Data

Once you transfer waveform data from an oscilloscope to a computer, you can convert the data points (which are digitizing levels) into engineering units such as Volts or Amps for analysis using information from the waveform preamble.

The following is an example for converting transferred data into the appropriate engineering units. The transfer data is from an analog waveform in YT (single point) format. (See [WFMinpre:PT_Fmt](#) for the definition of the point formats.) The data points returned from the CURVE? query for analog channel data are in digitizing levels. The YMULT value is in vertical units (e.g. volts) per digitizing level.

Formula for computing horizontal (time) point value:

$$X_i = XZEro + XINcr * (i - 1)$$

Formula for computing vertical (amplitude) point value:

$$Y_i = YZero + (YMult * DataPoint_i)$$

where:

i is the index of a curve data point (1-based: first data point is point number 1)

X_i is the i th horizontal value in XUNits

Y_i is the i th vertical value in YUNits

$DataPoint_i$ is the waveform data point value, in digitizing levels.

Commands used:

```
:DATA:SOURce CH1
:DATA:START 1
:DATA:STOP 1000
:WFMOutpre:NR_pt? 1000
:WFMOutpre:XUNit? "s"
:WFMOutpre:XZErO? -500.000E-3
:WFMOutpre:XINcr? 1.0000E-3
:WFMOutpre:YUNit? "v"
:WFMOutpre:YZErO? 0.0E+0
:WFMOutpre:YMUlt? 4.0000E-3
:WFMOutpre:BYT_nr? 1
```

Horizontal (time) values:

$$\begin{aligned} X_i &= XZErO + XINcr * (i - 1) \\ &= -500ms + 1ms * (i - 1) \end{aligned}$$

$$\begin{aligned} X_1 &= -500ms + 1ms * (1 - 1) \\ &= -500ms \end{aligned}$$

$$\begin{aligned} X_2 &= -500ms + 1ms * (2 - 1) \\ &= -499ms \end{aligned}$$

...

$$X_{1000} = -500ms + 1ms * (1000 - 1) = 499ms$$

Vertical (amplitude) values:

$$\begin{aligned} Y_i &= YZErO + (YMUlt * DataPoint_i) \\ &= 0.0V + (0.004 * DataPoint_i) \end{aligned}$$

YZERO is in vertical units; in this example, 0.0 Volts.

YMULT is in vertical units per digitizing level (DL), in this example, 0.004 Volts per digitizing level.

From CURVE query:

DataPoint₁ = -10

DataPoint₂ = -11

DataPoint₁₀₀₀ = 23

$$Y_1 = 0.0V + (0.004V/DL * -10DL) = -0.040V$$

$$Y_2 = 0.0V + (0.004V/DL * -11DL) = -0.044V$$

$$Y_{1000} = 0.0V + (0.004V/DL * 23DL) = 0.092V$$

Further Explanation of the Digital Collection (MSO/MDO models only)

When the waveform source is set to DIGital using the DATA:SOURCE command, a WFMOUtpre? and CURVE? query (or a WAVFRM? query) will return the Digital Collection data. The format and content of this data will depend upon the width that has been specified using the DATA:WIDTH command, which can be either 4 or 8 bytes per point.

4 Byte Data. When the data width is set to 4 bytes (using either DATA:WIDTH or WFMOUtpre:BYT_Nr), the Digital Collection represents

- the states of digital channels D0 – D15,
- the digital representations of analog Channels 1 – 4, and
- the trigger state.

In this case, the Digital Collection data returned will be 32-bit packed integers, where each point is represented as follows. Note that the trigger state bit described below is only available when ACQUIRE:MAGNivu is 1 (on).

Table 2-39: Digital Collection: 4 Byte Data

Bit number	Description
31– 22	not used
21	trigger state
20	not used (always 1)
19	CH4 digital state
18	CH3 digital state
17	CH2 digital state
16	CH1 digital state
15	D15 state
...	

Table 2-39: Digital Collection: 4 Byte Data (cont.)

Bit number	Description
1	D1 state
0	D0 state

8 Byte Data. When the data width is set to 8 bytes, the Digital Collection represents

- the transition state information for digital channels D0 – D15 and
- the digital representations of analog Channels 1 – 4.

The "transition state" refers to MSB and LSB bits which together represent the state of the digital channel during the sampling period, as follows:

MSB	LSB	Transition/State
0	0	Low
0	1	High
1	0	Single transition
1	1	Multiple transitions

If the width specified using the [DATA:WIDTH](#) command is 8 bytes, the Digital Collection data returned will be 64-bit packed integers, where each point is represented as follows:

Table 2-40: Digital Collection: 8 Byte Data

Bit Number	Description
63 — 52	not used
51	CH4 transition state MSB
50	CH3 transition state MSB
49	CH2 transition state MSB
48	CH1 transition state MSB
47	D15 transition state MSB
...	
33	D1 transition state MSB
32	D0 transition state MSB
31 — 20	not used
19	CH4 transition state LSB
18	CH3 transition state LSB
17	CH2 transition state LSB
16	CH1 transition state LSB
15	D15 transition state LSB
...	

Table 2-40: Digital Collection: 8 Byte Data (cont.)

Bit Number	Description
1	D1 transition state LSB
0	D0 transition state LSB

For example, to find the transition state of the digital channel D0, set [DATA:SOURce](#) to DIGITAL and [DATA:WIDTH](#) to 8. Look at bits 0 and 32 in the data returned by the [CURVe?](#) or [WAVFrm?](#) queries, where bit 0 is the transition state LSB and bit 32 is the transition state MSB for D0.

Table 2-41: Waveform Transfer Commands

Command	Description
CURVe	<p>The CURVe command transfers the waveform data points TO the oscilloscope's internal reference memory location (REF1–4), which is specified by the DATA:DESTination command. The CURVe? query transfers data FROM the oscilloscope; the source waveform is specified by the DATA:SOURce command. The first and last data points are specified by the DATA:START and DATA:STOP commands.</p> <p>Associated with each waveform transferred using the CURVe command or query is a waveform preamble that provides the data format, scale and associated information needed to interpret the waveform data points. The preamble information for waveforms sent TO the oscilloscope is specified using the WFMinpre commands. The preamble information for waveforms transferred FROM the oscilloscope is specified or queried using the WFMOupre commands. If the waveform is not displayed, the query form generates an error.</p> <p>The CURVe command and CURVe? query transfer waveform data in ASCII or binary format. ASCII data is sent as a comma-separated list of decimal values. Binary data is sent with the IEEE488.2 binary block header immediately followed by the binary data.</p>
DATA	<p>These commands specify the format and location of waveform data that is transferred using the CURVe command, or return the format and location of the waveform data that is transferred with the CURVe? query. You can use the INIT argument to reset all of the DATA parameters to default values. (Note that the *RST and FACTory commands do not reset the DATA parameters.) You can use the SNap argument to automatically set the DATA:START and DATA:STOP values to the starting and stopping point of the waveform cursors (if on). Note that setting DATA:START and DATA:STOP automatically sets WFMOupre:NR_Pt.</p>
DATA:DESTination	<p>This command specifies the reference memory location (REF1–4) for storing waveform data transferred into the oscilloscope using the CURVe command.</p>
DATA:ENCdg	<p>This command specifies the encoding format for outgoing waveform data. This command is equivalent to setting WFMOupre:ENCdg, WFMOupre:BN_Fmt, and WFMOupre:BYT_Or. Setting the DATA:ENGdg value causes the corresponding WFMOupre values to be updated.</p>
DATA:SOURce	<p>This command specifies the source waveform to be transferred from the oscilloscope using the CURVe? query. The valid waveform sources are CH1–CH4, MATH, REF1–REF4, D0–D15, DIGital, RF_AMPlitude, RF_FREQUency, RF_PHASE, RF_NORMal, RF_AVErage, RF_MAXHold, and RF_MINHold. Setting DATA:SOURce automatically constrains the following to valid values for the specified source waveform: WFMOupre:BYT_Nr, WFMOupre:BIT_Nr and WFMOupre:BN_Fmt.</p>

Table 2-41: Waveform Transfer Commands (cont.)

Command	Description
DATA:START	This command specifies the starting data point for incoming or outgoing waveform transfer using the CURVe command or query. (Use DATA:STOP to specify the ending data point.) You can set the DATA:START and DATA:STOP values automatically to the starting and stopping points of the waveform cursors, if on, using DATA:SNap . Note that setting DATA:START and DATA:STOP automatically sets WFMOutpre:NR_Pt .
DATA:STOP	This command specifies the final data point that will be transferred when using the CURVe command or query for incoming or outgoing waveform transfer. (Use DATA:START to specify the starting data point.)
DATA:WIDTH	This command specifies the width, in bytes per point, for waveform data transferred from the scope via the CURVe? query. (This command is synonymous with WFMOutpre:BYT_Nr .) When the source is SCH1-CH4 , REF1-REF4 , MATH , D0-D15 , RF_AMPLitude , RF_FREQUENCY and RF_PHASE , the default width is 1 byte. When the source is RF_NORMal , RF_AVERage , RF_MAXHOld , or RF_MINHOld , the default width is 4 bytes.
WAVFrm?	This query returns the waveform preamble and the waveform data for the source waveform specified by the DATA:SOURCE command. This command is equivalent to sending both WFMOutpre? and CURVe? , with the additional provision that the response to WAVFrm? is guaranteed to provide a synchronized preamble and curve.
WFMinpre?	Returns the waveform formatting and scaling specifications to be applied to the next incoming CURVe command data.
WFMinpre:BIT_Nr	This command specifies the number of bits per data point in the waveform data to be sent to the oscilloscope using the CURVe command. Changing this value also changes the value of WFMinpre:BYT_Nr .
WFMinpre:BN_Fmt	This command specifies the format of the data for outgoing waveforms when WFMinpre:ENCdg is set to BINary . The format can either be RI (signed integer), RP (positive integer) or FP (floating point).
WFMinpre:BYT_Nr	This command specifies the number of bytes per data point in the waveform data to be sent to the oscilloscope using the CURVe command. Changing this value also changes the value of WFMinpre:BIT_Nr .
WFMinpre:BYT_Or	This command specifies which byte of incoming binary waveform data is transmitted first (the byte order). The byte order can either be MSB (most significant byte first) or LSB (least significant byte first, also known as IBM format). This specification only has meaning when WFMinpre:ENCdg is set to BINary and WFMinpre:BYT_Nr is 2.
WFMinpre:CENTERFREQUENCY	This command specifies the center frequency of the incoming RF trace (waveform), in Hertz. The center frequency is a precise frequency at the center of the frequency domain display. In many applications, it is a carrier frequency.
WFMinpre:DOMain	This command specifies whether the information being sent to a reference location should be treated as integer (time domain) information, or floating point (frequency domain) information, for the purposes of storing the data internally. The default is TIME . This parameter should be set before using the CURVe command to transfer a waveform from a PC to an internal reference location.
WFMinpre:ENCdg	This command specifies the type of encoding of the incoming waveform data to be sent to the oscilloscope using the CURVe command. Supported types are BINary and ASCii .
WFMinpre:NR_Pt	This command specifies the number of data points that are in the incoming waveform record to be sent to the oscilloscope using the CURVe command.

Table 2-41: Waveform Transfer Commands (cont.)

Command	Description
WFMInpre:PT_Fmt	This command specifies the format of the data points to be sent to the oscilloscope using the CURVE command. This can be Y for YT format, or ENV for envelope format (min/max pairs). Regardless of the argument used, the scale, offset, and so on are interpreted similarly. When ENV is used, waveform data is interpreted as min-max pairs (the minimum value precedes the maximum for each pair); when Y is used, it is interpreted over a single point.
WFMInpre:PT_Off	The set form of this command is ignored. The query form always returns a 0.
WFMInpre:REFLevel	This command specifies the Reference Level of the incoming waveform. This command applies only to frequency domain waveforms. The Reference Level is adjustable from 10 pico Watts (-140dBm) to 1 Watt (+30dBm).
WFMInpre:SPAN	This command specifies the frequency span of the incoming RF trace. The span is the range of frequencies that can be observed around the center frequency. It can range from 1 KHz to 6 GHz.
WFMInpre:WFMTYPE	This command specifies the type of waveform that is being transferred to the oscilloscope for storage in one of the REF1 — REF4 memory locations. The waveform type possibilities are the ANALOG, the RF time domain waveforms (RF_TD), or the RF frequency domain waveforms (RF_FD). The default is ANALOG. This parameter should be set before using the CURVE command to transfer a waveform from a PC to an internal reference location. The type of waveform that is being transferred in turn determines which window will display it on the instrument screen: the time domain window or frequency domain window. Both the analog and RF-TD arguments specify the time domain window; the RF_FD argument specifies the frequency domain window.
WFMInpre:XINcr	This command specifies the horizontal interval between incoming waveform points sent to the oscilloscope using the CURVE command. The units can be time, in seconds, or frequency, in hertz, and can be specified or queried using the WFMInpre:XUNit command.
WFMInpre:XUNit	This command specifies the horizontal units of the x-axis of the data points being sent to the oscilloscope using the CURVE command. This value can be in "s" or "Hz".
WFMInpre:XZEro	This command specifies the position value of the first data point in the incoming waveform record being sent to the oscilloscope using the CURVE command. The units are determined or queried using the WFMInpre:XUNit command and are typically time, in seconds, or frequency, in hertz. This time or frequency is relative to the time or frequency of the trigger, which is always 0. Thus, the XZEro value can be negative.
WFMInpre:YMUit	This command specifies the vertical scale multiplying factor to be used to convert the incoming data point values being sent to the oscilloscope, from digitizing levels into the units specified by the WFMInpre:YUNit command. For one byte waveform data, there are 256 digitizing levels. For two byte waveform data there are 65,536 digitizing levels.
WFMInpre:YOff	This command specifies the vertical position of the destination reference waveform in digitizing levels. There are 25 digitizing levels per vertical division for 1-byte data, and 6400 digitizing levels per vertical division for 2-byte data. Variations in this number are analogous to changing the vertical position of the waveform.
WFMInpre:YUNit	This command specifies the vertical units of data points in the incoming waveform record sent to the oscilloscope using the CURVE command. This can be any of several string values, depending upon the vertical units of the waveform being sent.

Table 2-41: Waveform Transfer Commands (cont.)

Command	Description
WFMinpre:YZero	This command specifies the vertical offset of the destination reference waveform in units specified by the WFMinpre:YUnit command. Variations in this number are analogous to changing the vertical offset of the waveform. The WFMinpre:YMult , WFMinpre:YOff , and WFMinpre:YZero commands are used to convert waveform record values to units specified using the WFMinpre:YUnit command (YUnit units).
WFMOupre?	This query returns the information needed to interpret the waveform data points returned by the CURVe? query. It returns the waveform transmission and formatting parameters for the waveform specified by the DATA:SOUrce command.
WFMOupre:BIT_Nr	This command specifies the number of bits per data point in the outgoing waveform being transferred using the CURVe? query. Changing the value of WFMOupre:BIT_Nr also changes the values of WFMOupre:BYT_Or and DATA:WIDTh .
WFMOupre:BN_Fmt	This command specifies the format of the binary data for outgoing waveforms when WFMOupre:ENCdg is set to BINary . The format can be RI (signed integer) or RP (positive integer) for analog channels, and FP for RF frequency domain traces. Changing the value of WFMOupre:BN_Fmt also changes the value of DATA:ENCdg . The waveform is specified by the DATA:SOUrce command.
WFMOupre:BYT_Nr	This command specifies the data width for the outgoing waveform specified by the DATA:SOUrce command. (This command is synonymous with DATA:WIDTh .) Note that changing WFMOupre:BYT_Nr also changes WFMOupre:BIT_Nr and DATA:WIDTh .
WFMOupre:BYT_Or	This command specifies which byte of outgoing binary waveform data is transmitted first (the byte order). The byte order can either be MSB (most significant byte first) or LSB (least significant byte first, also known as IBM format). This specification only has meaning when WFMOupre:ENCdg is set to BINary and WFMOupre:BYT_Nr is 2.
WFMOupre:CENTERFREQuency?	This query returns the center frequency of the incoming waveform. For non-MDO models, this query always returns 0.
WFMOupre:DOMain?	This query returns the domain of the outgoing waveform — either TIME or FREQuency . If the domain is TIME , it indicates that the data is to be treated as integer information. If the domain is FREQuency , it indicates that the data is to be treated as floating point information.
WFMOupre:ENCdg	This command specifies the type of encoding (BINary or ASCii) of the outgoing waveform data queried using the CURVe? query. (This can also be set using the DATA:ENCdg command, which provides the ability to set WFMOupre:ENCdg , WFMOupre:BN_Fmt , and WFMOupre:BYT_Or using a single command.)
WFMOupre:NR_Pt?	This query returns the number of data points in the waveform record that will be transmitted in response to a CURVe? query. This value is the adjusted range specified by DATA:START and DATA:STOP commands. Note that the oscilloscope automatically adjusts the DATA:START and DATA:STOP values when the DATA:STOP value is less than the DATA:START value, and when the DATA:START and/or DATA:STOP value is greater than the record length of the source waveform. The adjusted DATA:START and DATA:STOP values determine WFMOUPPRE:NR_PT . (You can use DATA:START and DATA:STOP to transfer partial waveforms.) If the waveform specified by the DATA:SOUrce command is not turned on, an error will be generated.

Table 2-41: Waveform Transfer Commands (cont.)

Command	Description
WFMOupre:PT_Fmt?	This query returns the point format of the data points in the outgoing waveform record transferred using the CURVe? query. The returned values can be Y, which indicates normal waveform points for YT format, or ENV, which indicates envelope mode format in which the data is returned as a series of min/max pairs. The minimum value precedes the maximum. The outgoing waveform is specified by the DATa:SOUrce command. The query command will time out and an error will be generated if the waveform specified by DATa:SOUrce is not turned on.
WFMOupre:PT_Off?	This query always returns 0 if the outgoing waveform specified by DATA : SOU rce is on or displayed.
WFMOupre:PT_ORder?	This query returns the point ordering, which is always linear.
WFMOupre:REFLEvel?	This query returns the Reference Level of the outgoing waveform. It applies only to the four frequency domain waveforms (RF Normal, RF Average, RF Max Hold, and RF Min Hold).
WFMOupre:SPAN?	This query returns the frequency span of the outgoing waveform. For non-MDO models, this query always returns 0.0. The span is the range of frequencies you can observe around the center frequency.
WFMOupre:WFId?	This query returns a string that describes several aspects of the acquisition parameters for the source waveform, including Source, Coupling, Vertical Scale, Horizontal Scale, Record Length and Acquisition Mode. If the waveform specified by DATa:SOUrce command is not turned on, an error will be generated.
WFMOupre:WFMTYPE?	This query returns the type of the outgoing waveform. RF_FD indicates an RF frequency domain waveform; RF_TD indicates an RF time domain waveform; ANALOG indicates Channel 1–4 or the Math waveform. The default is analog. For non-MDO models, this query always returns ANALOG. The type of waveform that is being transferred in turn determines which window will display it on the instrument screen: (the time domain window or frequency domain window).
WFMOupre:XINcr?	This query returns the horizontal point spacing in units of time (seconds), or frequency (hertz) between data points in the waveform record transferred using the CURVe? query. This value corresponds to the sampling interval.
WFMOupre:XUNit?	This query indicates the horizontal units of the x-axis of the waveform record transferred using the CURVe? query. Typically, this value is "s" when the waveform source is displayed in the time domain, and "Hz" when the waveform source is displayed in the frequency domain. When the waveform source is Math or a reference waveform, the value can be "s" or "Hz".
WFMOupre:XZEro?	This query returns the time coordinate, in seconds, or frequency, in hertz, of the first data point in the outgoing waveform record transferred using the CURVe? query. This time or frequency is relative to the time of the trigger, which is always 0. Thus, the XZEro time or frequency can be negative.
WFMOupre:YMUIt?	This query returns the vertical scale multiplying factor used to convert the waveform data point values in the outgoing waveform record from digitizing levels to the YUNit units. You can determine the units by using the WFMOupre:YUNit query. See the description of the WFMinpre:YMUIt command to see how this scale factor is used to convert waveform sample values to volts.

Table 2-41: Waveform Transfer Commands (cont.)

Command	Description
WFMOupre:YOFf?	This query returns the vertical position of the source waveform in digitizing levels. There are 25 digitizing levels per vertical division for 1-byte data, and 6400 digitizing levels per vertical division for 2-byte data. See the description of WFMIupre:YOFf to see how this position is used to convert waveform sample values to volts.
WFMOupre:YUNit?	This query returns the units of data points in the outgoing waveform record transferred using the CURVe? query. This can be any of several string values, depending upon the vertical units of the source waveform (specified by the DATA:SOUrce command). Typically, this is "V" for volts.
WFMOupre:YZEro?	This query returns the vertical offset of the source waveform. You can determine the units using the WFMOupre:YUNit? query. See the description of WFMIupre:YZEro to see how this offset is used to convert waveform sample values to volts.

Zoom Command Group

Use the commands in the Zoom Command Group to expand and position the waveform display horizontally, without changing the time base settings.

Table 2-42: Zoom Commands

Command	Description
ZOOM?	Returns the horizontal positioning and scaling of the zoom display
ZOOM{:MODE :STATE}	This command specifies the zoom mode
ZOOM:ZOOM<x>?	Returns the current horizontal positioning and scaling of the zoom display
ZOOM:ZOOM<x>:FACTOR?	Returns the zoom factor of the zoom window. <x> can only be 1
ZOOM:ZOOM<x>:POSition	This command specifies the horizontal position of the zoom window in terms of 0 to 100% of the overview window. <x> can only be 1
ZOOM:ZOOM<x>:SCALE	This command specifies the horizontal zoom scale of the zoom window. <x> can only be 1
ZOOM:ZOOM<x>:STATE	Specifies or returns a trace as zoomed, on or off. <x> can only be 1
ZOOM:ZOOM<x>:TRIGPOS?	This query returns the time relative to trigger of the center of the zoom box, for the currently selected waveform.

Commands Listed in Alphabetical Order

ACQUIRE? (Query Only)

Returns the following current acquisition parameters:

- Stop after
- Acquisition state
- Mode
- Number of averages
- Sampling mode

Group Acquisition

Syntax ACQUIRE?

Related Commands [ACQUIRE:MODE](#),
[ACQUIRE:NUMACQ?](#),
[ACQUIRE:NUMAVG](#),
[ACQUIRE:STOPAFTER](#)

ACQUIRE:MAGNIVU

Turns on the MagniVu feature, which provides up to 32 times signal detail for fast viewing of short events. This feature is not recommended for slow data formats such as RS-232.

NOTE. *MagniVu channel sampling is available on MSO/MDO oscilloscopes only.*

Group Acquisition

Syntax ACQUIRE:MAGNIVU {<NR1>|OFF|ON}
ACQUIRE:MAGNIVU?

Arguments <NR1> = 0 disables the MagniVu feature; any other value turns this feature on.
ON enables the MagniVu feature.

OFF disables the MagniVu feature.

ACQUIRE:MAXSAMPLERATE? (Query Only)

Returns the maximum real-time sample rate, which varies from model to model.

Group	Acquisition
Syntax	ACQUIRE:MAXSAMPLERATE?
Examples	ACQUIRE:MAXSAMPLERATE? might return 2.5000E+9 indicating the maximum real-time sample rate is 2.5GS/s.

ACQUIRE:MODE

Specifies the acquisition mode of the oscilloscope for all analog channel waveforms. The acquisition mode determines how the final value of the acquisition interval is generated from the many data samples.

Waveforms are the displayed data point values taken from acquisition intervals. Each acquisition interval represents a time duration set by the horizontal scale (time per division). The oscilloscope sampling system always samples at the maximum rate, so the acquisition interval may include more than one sample.

Group	Acquisition
Syntax	ACQUIRE:MODE {SAMPLE PEAKdetect HIRES AVERAGE ENVELOPE} ACQUIRE:MODE?
Related Commands	ACQUIRE:NUMAVG , ACQUIRE:NUMENV CURVE
Arguments	<p>SAMPLE specifies that the displayed data point value is the first sampled value that is taken during the acquisition interval. In sample mode, all waveform data has 8 bits of precision. You can request 16 bit data with a CURVE query but the lower-order 8 bits of data will be zero. SAMPLE is the default mode.</p> <p>PEAKdetect specifies the display of high-low range of the samples taken from a single waveform acquisition. The high-low range is displayed as a vertical column that extends from the highest to the lowest value sampled during the acquisition interval. PEAKdetect mode can reveal the presence of aliasing or narrow spikes.</p>

HIRes specifies Hi Res mode where the displayed data point value is the average of all the samples taken during the acquisition interval. This is a form of averaging, where the average comes from a single waveform acquisition. The number of samples taken during the acquisition interval determines the number of data values that compose the average.

AVERage specifies averaging mode, in which the resulting waveform shows an average of **SAM**ple data points from several separate waveform acquisitions. The oscilloscope processes the number of waveforms you specify into the acquired waveform, creating a running exponential average of the input signal. The number of waveform acquisitions that go into making up the average waveform is set or queried using the **ACQuire:NUMAVg** command.

ENVElope specifies envelope mode, where the resulting waveform shows the **PEAK**detect range of data points from every waveform acquisition.

Examples **ACQUIRE:MODE ENVELOPE** sets the acquisition mode to display a waveform that is an envelope of many individual waveform acquisitions.

ACQUIRE:MODE? might return **:ACQuire:MODE AVERAGE** indicating that the displayed waveform is the average of the specified number of waveform acquisitions.

ACQuire:NUMACq? (Query Only)

Returns the number of waveform acquisitions that have occurred since starting acquisition with the **ACQuire:STATE RUN** command. This value is reset to zero when any acquisition, horizontal, or vertical arguments that affect the waveform are changed. The maximum number of acquisitions that can be counted is $2^{32} - 1$.

Group Acquisition

Syntax **ACQuire:NUMACq?**

Related Commands [ACQuire:STATE](#)

Returns **ACQuire:NUMACq?** might return **:ACQUIRE:NUMACQ 350** indicating that 350 acquisitions have occurred since executing an **ACQuire:STATE RUN** command.

ACQuire:NUMAVg

Specifies the number of waveform acquisitions that should make up an averaged waveform. Use the **ACQuire:MODE** command to enable the Average mode.

Sending this command is equivalent to turning a multipurpose knob to enter the number of waveform acquisitions to average.

Group Acquisition

Syntax ACQuire:NUMAVG <NR1>
ACQuire:NUMAVG?

Related Commands [ACQuire:MODE](#), [ACQuire:STATE](#)

Arguments <NR1> is the number of waveform acquisitions to average. The range of values is from 2 to 512 in powers of two.

Examples ACQUIRE:NUMAVG 16 specifies that 16 waveform averages will be performed before exponential averaging starts.

ACQUIRE:NUMAVG? might return :ACQUIRE:NUMAVG 64 indicating that there are 64 acquisitions specified for averaging.

ACQuire:NUMEnv

This command controls the number of envelopes (when acquisition mode has been set to ENVELOPE using [ACQuire:MODE](#)). The number of envelopes can be set from 1 to 2000 in increments of 1, or to INFINITE. Setting the value to a number greater than 2000 sets the number of envelopes to INFINITE.

Group Acquisition

Syntax ACQuire:NUMEnv {<NR1>|INFINITE}
ACQuire:NUMEnv?

Related Commands [ACQuire:MODE](#), [ACQuire:STATE](#)

Arguments <NR1> is an integer that specifies the number of envelopes to use when the acquisition mode has been set to ENVELOPE.

INFINITE specifies to use an infinite number of envelopes.

- Examples** `ACQUIRE:NUMENV 22` sets the number of envelopes to 22.
- `ACQUIRE:NUMENV?` returns the number of envelopes that has been specified, either an integer or INFINITE.

ACQUIRE:STATE

Starts or stops acquisitions. When state is set to ON or RUN, a new acquisition will be started. If the last acquisition was a single acquisition sequence, a new single sequence acquisition will be started. If the last acquisition was continuous, a new continuous acquisition will be started.

If RUN is issued in the process of completing a single sequence acquisition (for example, averaging or enveloping), the acquisition sequence is restarted, and any accumulated data is discarded. Also, the oscilloscope resets the number of acquisitions. If the RUN argument is issued while in continuous mode, acquisition continues.

- Group** Acquisition
- Syntax** `ACQUIRE:STATE {OFF|ON|RUN|STOP|<NR1>}`
`ACQUIRE:STATE?`

Related Commands [ACQUIRE:STOPAfter](#)

- Arguments** OFF stops acquisitions.
 STOP stops acquisitions.
 ON starts acquisitions.
 RUN starts acquisitions.
 <NR1> = 0 stops acquisitions; any other value starts acquisitions.

- Examples** `ACQUIRE:STATE RUN` starts the acquisition of waveform data and resets the count of the number of acquisitions.
- `ACQUIRE:STATE?` might return `ACQUIRE:STATE 0` indicating that the acquisition is stopped.

ACQUIRE:STOPAfter

Specifies whether the oscilloscope should continually acquire acquisitions or acquire only a single sequence.

Group	Acquisition
Syntax	ACQuire:STOPAfter {RUNSTop SEQuence} ACQuire:STOPAfter?
Related Commands	ACQuire:STATE
Arguments	RUNSTop specifies that the oscilloscope will continually acquire data, if ACQuire:STATE is turned on. SEQuence specifies that the next acquisition will be a single-sequence acquisition.
Examples	ACQUIRE:STOPAFTER RUNSTOP sets the oscilloscope to continually acquire data. ACQUIRE:STOPAFTER? might return:ACQUIRE:STOPAFTER SEQUENCE indicating that the next acquisition the oscilloscope makes will be of the single-sequence type.

ALias:CATalog? (Query Only)

Returns a list of the currently defined alias labels, separated by commas. If no aliases are defined, the query returns the string "".

Group	Alias
Syntax	ALIAS:CATalog?
Examples	ALIAS:CATALOG? might return the string :ALIAS:CATALOG "SETUP1", "TESTMENU1", "DEFAULT" showing that there are three aliases named SETUP1, TESTMENU1, and DEFAULT.

ALias:DEFine

Assigns a sequence of program messages to an alias label. These messages are then substituted for the alias whenever it is received as a command or query, provided that ALIAS:STATE has been turned on. The query form of this command returns the definitions of a selected alias.

NOTE. Attempting to give two aliases the same name causes an error. To give a new alias the name of an existing alias, the existing alias must first be deleted.

Group	Alias
Syntax	<pre>ALIAS:DEFine <QString><,>{<QString> <Block>} ALIAS:DEFine? <QString></pre>
Related Commands	ALIAS[:STATE]
Arguments	<p>The first <QString> is the alias label.</p> <p>This label cannot be a command name. Labels must start with a letter and can contain only letters, numbers, and underscores; other characters are not allowed. The label must be less than or equal to 12 characters.</p> <p>The second<QString> or <Block> is a complete sequence of program messages.</p> <p>The messages can contain only valid commands that must be separated by semicolons and must follow all rules for concatenating commands. The sequence must be less than or equal to 256 characters.</p>
Examples	<pre>ALIAS:DEFINE "ST1",":RECALL:SETUP 5;:AUTOSET EXECUTE;:SELECT:CH1 ON" defines an alias named "ST1" that sets up the oscilloscope.</pre> <pre>ALIAS:DEFINE? "ST1" returns :ALIAS:DEFINE "ST1",#246 :RECALL:SETUP 5;:AUTOSET EXECUTE;:SELECT:CH1 ON</pre>

ALIAS:DELEte:ALL (No Query Form)

Deletes all existing aliases.

Group	Alias
Syntax	ALIAS:DELEte:ALL
Related Commands	ALIAS:DELEte[:NAME]
Examples	ALIAS:DELETE:ALL deletes all existing aliases.

ALIAS:DELEte[:NAME] (No Query Form)

Removes a specified alias.

Group	Alias
Syntax	ALIAS:DELETE[:NAME] <QString>
Arguments	<QString> is the name of the alias to remove. Using ALIAS:DELETE[:NAME] without specifying an alias causes an execution error. <QString> must be an existing alias.
Examples	ALIAS:DELETE[:NAME] "STARTUP" deletes the alias named STARTUP.

Alias[:STATE]

Turns aliases on or off. (See page 2-11, *Alias Command Group*.)

Group	Alias
Syntax	ALIAS[:STATE] {<NR1> OFF ON} ALIAS[:STATE]?
Arguments	OFF or <NR1> = 0 turns alias expansion off. If a defined alias is sent when ALIAS:STATE is OFF, a command error (102) is generated. ON or <NR1>0 turns alias expansion on. When a defined alias is received, the specified command sequence is substituted for the alias and executed.
Examples	ALIAS[:STATE] OFF turns the command alias feature off. ALIAS[:STATE]? returns 0 when the alias feature is off.

ALLEV? (Query Only)

Prompts the oscilloscope to return all events and their messages (delimited by commas), and removes the returned events from the Event Queue. Use the *ESR? query to enable the events to be returned. This command is similar to repeatedly sending *EVMsg? queries to the oscilloscope.

Group	Status and Error
Syntax	ALLEV?

Related Commands [*ESR?](#), [EVMsg?](#)

Examples ALLEV? might return :ALLEV 2225,"Measurement error, No waveform to measure; "420,"Query UNTERMINATED;"

APPLication:LICENSE:SLOT<x>:LOCation? (Query Only)

This query returns the application license location. < x> can be slot number 1–4.

NOTE. *In order to use many of the advanced oscilloscope features, you must purchase an application module license. The module can be inserted into any of the four application module slots in the oscilloscope. However, more than four concurrent applications can be supported at the same time even though there are only four slots (there are over a dozen application modules available). The license can be transferred from the physical application module to an internal location in the oscilloscope, enabling the simultaneous use of more than four licenses.*

Group Miscellaneous

Syntax APPLication:LICENSE:SLOT<x>:LOCation?

Related Commands [APPLication:LICENSE:SLOT<x>:TRANSFER](#),
[APPLication:LICENSE:SLOT<x>:TYPE?](#)

Returns SCOPE - The application license has been transferred to the oscilloscope and is active internally within the scope.

MODULE - The application license is in the module and has not been transferred to the scope.

BOTH - The application license is in the module and the license from another application module of the same type has already been transferred to the scope.

NEITHER - The application license is neither in the module nor in the scope's internal memory. (In this situation, the license must have been transferred to a different oscilloscope.)

NONE - There is no application module in the slot.

Examples APPLication:LICENSE:SLOT1:LOCation? might return SCOPE, indicating that the license is active internally within the scope.

APPLication:LICENSE:SLOT<x>:TRANSFER (No Query Form)

You can use this command to transfer an application license from the module to internal memory in the oscilloscope, and transfer it back. When a license has been transferred to the oscilloscope, the module can be removed from the slot, thereby freeing up the slot for another application module to be inserted.

Once the license has been transferred from the module to internal memory, the license is no longer present in the module and the module cannot be used to enable the application. The license can be transferred back to the module from the oscilloscope's internal memory. < x> can be slot number 1–4.

NOTE. *In order to use many of the advanced oscilloscope features, you must purchase an application module license. The module can be inserted into any of the four application module slots in the oscilloscope. However, more than four concurrent applications can be supported at the same time even though there are only four slots (there are over a dozen application modules available). The license can be transferred from the physical application module to an internal location in the oscilloscope, enabling the simultaneous use of more than four licenses.*

Conditions

If the application license currently resides in the module and the license does not also reside in the scope, it is transferred to the scope and the license is no longer in the module.

If the application license currently resides in the scope and the license does not also reside in the module, the license is transferred from the scope to the module.

If the application module slot is empty, an error event is posted to the event queue so indicating and no operation is performed.

If the application license resides in both the scope and the module, an error event is posted to the event queue so indicating and no operation is performed.

If the application license resides in neither the scope nor the module, an error event is posted to the event queue so indicating and no operation is performed.

Group Miscellaneous

Syntax APPLication:LICENSE:SLOT<x>:TRANSFER EXECute

Related Commands [APPLication:LICENSE:SLOT<x>:LOCation?](#),
[APPLication:LICENSE:SLOT<x>:TYPE?](#)

APPLication:LICENSE:SLOT<x>:TYPE? (Query Only)

This query returns the application license type of the module that is currently inserted in the specified application module slot. If there is no application module in the slot, `NONE` is returned. <x> can be slot number 1–4.

NOTE. *In order to use many of the advanced oscilloscope features, you must purchase an application module license. The module can be inserted into any of the four application module slots in the oscilloscope. However, more than four concurrent applications can be supported at the same time even though there are only four slots (there are over a dozen application modules available). The license can be transferred from the physical application module to an internal location in the oscilloscope, enabling the simultaneous use of more than four licenses.*

Group Miscellaneous

Syntax `APPLication:LICENSE:SLOT<x>:TYPE?`

Related Commands [APPLication:LICENSE:SLOT<x>:TRANSFER](#),
[APPLication:LICENSE:SLOT<x>:LOCation?](#)

Examples `APPLication:MODuLe:SLOT1:TYPE?` might return `DPO4AUTO`, indicating that the `DPO4AUTO` license is installed in slot 1.

APPLication:TYPE

When a mask/limit or power test application module is installed, one of the associated test types is always selected by default. This command allows the test type to be changed from the default. Attempting to set the test type to a type for which the associated application module is not installed will result in a settings conflict error event.

Conditions This command is to be used with an optional `DPO4LMT` application module, for mask/limit testing, or `DPO4PWR` for power testing. Additional application modules may become available – check the Tektronix website.

Group Miscellaneous

Syntax `APPLication:TYPE {POWER|LIMITMask}`
`APPLication:TYPE?`

Related Commands	All of the commands associated with the specified application type.
Arguments	<code>Power</code> sets the application test type to power. <code>LIMITMask</code> sets the application test type to limit mask.
Returns	The query form will return <code>NONE</code> if none of the supported test application modules are installed.
Examples	<code>APPL:TYP?</code> might return <code>LIMITMASK</code> , indicating that the <code>DPO4LMT</code> application module is currently being used.

AUTOSet (No Query Form)

Sets the vertical, horizontal, and trigger controls of the oscilloscope to automatically acquire and display the selected waveform.

Group	Miscellaneous
Syntax	<code>AUTOSet {EXECute UNDo}</code>
Arguments	<code>EXECute</code> autosets the displayed waveform. <code>UNDo</code> restores the oscilloscope settings to those present prior to the autoset execution.
Examples	<code>AUTOSET EXECUTE</code> vertical, horizontal, and trigger controls of the oscilloscope to automatically acquire and display the selected waveform.

AUTOSet:ENAbLe

Enables or disables the autoset feature. This is useful for classroom purposes where the instructor wants the students to achieve the desired instrument settings without the benefit of the autoset feature. This setting is not saved in setup files or `SET?` or `*LRN?` queries. The default state is 1 (autoset enabled).

Group	Miscellaneous
Syntax	<code>AUTOSet:ENAbLe {OFF ON 0 1}</code> <code>AUTOSet:ENAbLe?</code>

Arguments OFF or 0 disables autoset.
ON or 1 enables autoset.

Examples AUTOSET:ENABLE 1 enables the front-panel **Autoset** button.
AUTOSET:ENABLE? might return AUTOSET:ENABLE 0 indicating that the autoset feature is disabled.

AUXin? (Query Only)

Returns all auxiliary input parameters. (For MSO/DPO 4000B series models only.)

Group Vertical

Syntax AUXin?

AUXin:PRObe

Returns all information concerning the probe attached to auxiliary input. (For MSO/DPO 4000B series models only.)

Group Vertical

Syntax AUXin:PRObe
AUXin:PRObe?

Examples AUXIN:PROBE? might return AUXIN:PROBE:ID:TYPE "No Probe Detected";SERNUMBER "";:AUXIN:PROBE:UNITS "";RESISTANCE 1.0000E+6 giving information about the probe attached to the AUX In input.

AUXin:PRObe:AUTOZero (No Query Form)

This command executes the attached probe's Auto Zero function, for probes that support this feature. See your probe documentation for more details.

Group Vertical

Syntax AUXin:PRObe:AUTOZero EXECute

Arguments EXECute sets the probe to autozero.

Examples AUXin:PRObe:AUTOZero EXECute performs the AutoZero function in the probe.

AUXin:PRObe:CALibrate:CALIBRATABLE? (Query Only)

This query indicates whether the attached probe is calibratable. It returns a boolean value. (For MSO/DPO 4000B series models only.)

Group Vertical

Syntax AUXin:PRObe:CALibrate:CALIBRATABLE?

Examples AUXin:PRObe:CALibrate:CALIBRATABLE? might return 0, indicating that the probe attached to the auxiliary input is not calibratable.

AUXin:PRObe:COMMAND (No Query Form)

Sets the state of the probe control specified with the first argument to the state specified with the second argument. The commands and states are unique to the attached probe type. Only certain VPI probes support this command. See the probe documentation for how to set these string arguments. (For MSO/DPO 4000B series models only.)

Group Vertical

Syntax AUXin:PRObe:COMMAND <QString>, <QString>

Arguments <QString> are quoted strings specifying the probe command and value to set in the probe attached to the auxiliary input.

Examples AUXIN:PROBE:COMMAND "OUTPUT", "ON" turns the output of a Tektronix VPI-DPG probe on.

AUXIN:PROBE:COMMAND "MODE", "4-4V1MHZ" sets a Tektronix VPI-DPG probe to the 4-4V1MHz mode.

AUXIN:PROBE:COMMAND? might return AUXIN:PROBE:COMMAND "MODE", "4-4V1MHZ".

AUXin:PRObe:DEGAUss (No Query Form)

Starts a degauss/autozero cycle on a TekVPI current probe attached to the Aux In input. If you send this command to a probe that does not support this function, it is ignored. (For MSO/DPO 4000B series models only.)

Group Vertical

Syntax AUXin:PRObe:DEGAUss {EXECute}

Arguments EXECute starts a probe degauss cycle.

Examples AUXin:PROBE:DEGAUSS EXECUTE degausses the probe attached to the Aux In input.

AUXin:PRObe:DEGAUss:STATE? (Query Only)

Returns the state of the probe degauss (NEEDED, RECOMMENDED, PASSED, FAILED, RUNNING). The command will return PASSED for probes that do not support degauss operations. (For MSO/DPO 4000B series models only.)

Group Vertical

Syntax AUXin:PRObe:DEGAUss:STATE?

Examples AUXin:PROBE:DEGAUSS:STATE? might return:
AUXin:PROBE:DEGAUSS:STATE PASSED indicating that the probe has been degaussed.

AUXin:PRObe:FORCEDRange

Changes or returns the range on a TekVPI probe attached to the Aux In input. (For MSO/DPO 4000B series models only.)

Group Vertical

Syntax AUXin:PRObe:FORCEDRange <NR3>
AUXin:PRObe:FORCEDRange?

Arguments <NR3> is a floating point number that specifies the probe range, which is probe dependent.

AUXin:PRObe:GAIN

Specifies the gain factor of a probe that is attached to the Aux In input. (For MSO/DPO 4000B series models only.)

Group Vertical

Syntax AUXin:PRObe:GAIN <NR3>
AUXin:PRObe:GAIN?

Arguments <NR3> is a floating point number that specifies the probe gain, which is probe dependent.

Examples AUXin:PROBE:GAIN? might return 100.0000E-3 indicating that the attached 10x probe delivers 0.1 V to the Aux In BNC for every 1.0 V applied to the probe input.

AUXin:PRObe:ID:SERnumber? (Query Only)

Returns the serial number of the probe that is attached to the auxiliary input. (For MSO/DPO 4000B series models only.)

Group Vertical

Syntax AUXin:PRObe:ID:SERnumber?

AUXin:PRObe:ID:TYPE? (Query Only)

Returns the type of probe that is attached to the auxiliary input. (For MSO/DPO 4000B series models only.)

Group Vertical

Syntax AUXin:PRObe:ID:TYPE?

AUXin:PRObe:RESistance? (Query Only)

Returns the resistance of the probe attached to the front panel Aux In connector. (For MSO/DPO 4000B series models only.)

Group Vertical

Syntax AUXin:PRObe:RESistance?

Examples AUXin:PRObe:RESistance? might return :AUXin:PROBE:RESISTANCE 1.0000E+6 indicating that the input resistance of the probe attached to the front panel Aux In connector is 1 MΩ.

NOTE. This query will return 0.0 if no probe is attached or the attached probe does not report the input resistance.

AUXin:PRObe:SIGnal

This command changes the input bypass setting on VPI probes that support input bypass, for example the TCP0001. If sent to a probe that does not support input bypass, it is ignored. (For MSO/DPO 4000B series models only.)

Group Vertical

Syntax AUXin:PRObe:SIGna] {BYPass|PASS}
AUXin:PRObe:SIGna]?

Arguments BYPass sets the probe to Bypass mode.

PASS sets the probe to Pass mode.

AUXin:PRObe:UNIts? (Query Only)

Returns a string describing the units of measure of the probe attached to the Aux In input. (For MSO/DPO 4000B series models only.)

Group Vertical

Syntax AUXin:PRObe:UNIts?

Examples `AUXin:PROBE:UNITS?` might return: `:AUXin:PROBE:UNITS "V"` indicating that the units of measure for the attached probe are volts.

AUXOut:SOUrce

This command specifies the source for the auxiliary-out port. The enumerations `ATRIGGER` and `MAIn` are synonymous. The default is `ATRIGGER`.

Group Miscellaneous

Syntax `AUXOut:SOUrce {ATRIGGER|MAIn|REFOut|EVENT}`
`AUXOut:SOUrce?`

Arguments `ATRIGGER` is generated whenever a trigger event occurs. This is the default signal output of the auxiliary out port.

`MAIn` is synonymous with `ATRIGGER`.

`REFOut` specifies the reference oscillator output as the source for the auxiliary output. It can only be used with a platform that supports a reference oscillator feature. Attempting to set the source to `REFOut` on an unsupported platform results in a hardware missing event.

`EVENT` refers to an internally generated oscilloscope event. The Mask commands are the only ones that cause an event output, such as a mask test completion notification event.

Examples `AUXOut:SOUrce REFOut` sets the instrument to use the reference oscillator output as the source for the auxiliary output.

`AUXOut:SOUrce?` might return `ATRIGGER`, indicating the source for the auxiliary out port is the A-Trigger.

BUS? (Query Only)

Returns the parameters for each serial (if installed) and parallel bus.

Group Bus

Syntax `BUS?`

BUS:B<x>:AUDio:BITDelay

Specifies the number of delay bits for the AUDIO bus. B<x> is the bus number 1-4.

NOTE. This command is applicable only for TDM audio bus type (BUS:B<x>:AUDio:TYPE TDM)

Conditions This command requires DPO4AUDIO application module.

Group Bus

Syntax BUS:B<x>:AUDio:BITDelay <NR1>
 BUS:B<x>:AUDio:BITDelay?

Arguments <NR1> specifies the number of delay bits.

Examples BUS:B1:AUDIO:BITDELAY 2 sets the bit delay to 2.
 BUS:B1:AUDIO:BITDELAY? might return :BUS:B1:AUDIO:BITDELAY 1 indicating that the number of delay bits is 1.

BUS:B<x>:AUDio:BITOrder

Specifies the bit order for the AUDIO bus. B<x> is the bus number 1-4.

Conditions This command requires DPO4AUDIO application module.

Group Bus

Syntax BUS:B<x>:AUDio:BITOrder {MSB|LSB}
 BUS:B<x>:AUDio:BITOrder?

Arguments MSB specifies that the most significant bit will be expected first in the order.
 LSB specifies that the least significant bit will be expected first in the order.

Examples `BUS:B1:AUDIO:BITORDER LSB` sets the bit order to LSB.
`BUS:B1:AUDIO:BITORDER?` might return `:BUS:B1:AUDIO:BITORDER MSB` indicating that the MSB is first in the bit order.

BUS:B<x>:AUDio:CHANnel:SIZE

Specifies the number of bits per channel for the AUDIO bus. `B<x>` is the bus number 1-4. (To specify the number of bits per word, use [BUS:B<x>:AUDio:DATA:SIZE](#)).

NOTE. *This command is applicable only for TDM audio bus type (`BUS:B<x>:AUDio:TYPE TDM`)*

Conditions This command requires DPO4AUDIO application module.

Group Bus

Syntax `BUS:B<x>:AUDio:CHANnel:SIZE <NR1>`
`BUS:B<x>:AUDio:CHANnel:SIZE?`

Arguments `<NR1>` specifies the number of bits per channel.

Examples `BUS:B1:AUDIO:CHANNEL:SIZE 8` sets the number of bits per channel to 8.
`BUS:B1:AUDIO:CHANNEL:SIZE?` might return `:BUS:B1:AUDIO:CHANNEL:SIZE 24` indicating that the number of bits per channel is 24.

BUS:B<x>:AUDio:CLOCK:POLarity

Specifies the clock polarity for the AUDIO bus. `B<x>` is the bus number 1-4.

Conditions This command requires DPO4AUDIO application module.

Group Bus

Syntax `BUS:B<x>:AUDio:CLOCK:POLarity {FALL|RISE}`
`BUS:B<x>:AUDio:CLOCK:POLarity?`

Arguments FALL sets falling edge as the clock polarity.
RISe sets rising edge as the clock polarity.

Examples BUS:B1:AUDIO:CLOCK:POLARITY Fall sets the clock polarity to Fall.
BUS:B1:AUDIO:CLOCK:POLARITY? might return
:BUS:B1:AUDIO:CLOCK:POLARITY RISe indicating that the clock polarity is set to Rise.

BUS:B<x>:AUDIo:CLOCK:SOURce

Specifies the clock source waveform for the AUDIO bus. B<x> is the bus number 1-4.

Conditions This command requires DPO4AUDIO application module.

Group Bus

Syntax BUS:B<x>:AUDIo:CLOCK:SOURce {CH1|CH2|CH3|CH4|D0|D1|D2|D3|D4|D5|D6|D7|D8|D9|D10|D11|D12|D13|D14|D15}
BUS:B<x>:AUDIo:CLOCK:SOURce?

Arguments CH1-CH4 specifies the analog channel to use as the clock source waveform for the audio bus.
D0-D15 specifies the digital channel to use as the clock source waveform for the audio bus. (MSO/MDO models only.)

Examples BUS:B1:AUDIO:CLOCK:SOURCE D1 sets D1 as the clock source for the audio bus.
BUS:B1:AUDIO:CLOCK:SOURCE? might return
:BUS:B1:AUDIO:CLOCK:SOURCE CH1 indicating that the clock source is set to CH1.

BUS:B<x>:AUDIo:DATA:POLarity

Specifies the data polarity for the AUDIO bus. B<x> is the bus number 1-4.

Conditions This command requires DPO4AUDIO application module.

Group	Bus
Syntax	BUS:B<x>:AUDIo:DATA:POLArity {NORMAl INVERTed} BUS:B<x>:AUDIo:DATA:POLArity?
Arguments	NORMAl specifies positive data polarity for the audio bus. INVERTed specifies negative data polarity for the audio bus.
Examples	BUS:B1:AUDIO:DATA:POLARITY INVERTed sets the data polarity to Inverted. BUS:B1:AUDIO:DATA:POLARITY? might return :BUS:B1:AUDIO:DATA:POLARITY NORMAL indicating that the data polarity is set to Normal.

BUS:B<x>:AUDIo:DATA:SIZE

Specifies the number of bits per word for the AUDIO bus. B<x> is the bus number 1-4.

NOTE. *The number of bits specified for this command must be always less than or equal to the number of bits per channel (set using [BUS:B<x>:AUDIo:CHANnel:SIZE](#)).*

Conditions	This command requires DPO4AUDIO application module.
Group	Bus
Syntax	BUS:B<x>:AUDIo:DATA:SIZE <NR1> BUS:B<x>:AUDIo:DATA:SIZE?
Arguments	NR1 specifies the number of bits per word.
Examples	BUS:B1:AUDIO:DATA:SIZE 8 sets the number of bits per word to 8. BUS:B1:AUDIO:DATA:SIZE? might return :BUS:B1:AUDIO:DATA:SIZE 24 indicating that the number of bits per word is set to 24.

BUS:B<x>:AUDio:DATA:SOURCE

Specifies the data source waveform for the AUDIO bus. B<x> is the bus number 1-4.

Conditions This command requires DPO4AUDIO application module.

Group Bus

Syntax BUS:B<x>:AUDio:DATA:SOURCE {CH1|CH2|CH3|CH4|
D0|D1|D2|D3|D4|D5|D6|D7|D8|D9|D10|D11|D12|D13|D14|D15}

BUS:B<x>:AUDio:DATA:SOURCE?

Arguments CH1-CH4 specifies the analog channel to use as the data source waveform for the audio bus.

D0-D15 specifies the digital channel to use as the data source waveform for the audio bus. (MSO/MDO models only.)

Examples BUS:B1:AUDIO:DATA:SOURCE D1 sets the data source to D1.

BUS:B1:AUDIO:DATA:SOURCE? might return :BUS:B1:AUDIO:DATA:SOURCE CH3 indicating that the data source is set to CH3.

BUS:B<x>:AUDio:DISplay:FORMat

Specifies the display format for the AUDIO bus. B<x> is the bus number 1-4.

Conditions This command requires DPO4AUDIO application module.

Group Bus

Syntax BUS:B<x>:AUDio:DISplay:FORMat
{BINary|HEXadecima1|SIGNEDDECima1}
BUS:B<x>:AUDio:DISplay:FORMat?

Arguments BINary specifies a binary data display.

HEXadecima1 specifies a hexadecimal data display.

SIGNEDDECima1 specifies a signed decimal data display.

Examples `BUS:B1:AUDIO:DISPLAY:FORMat BINARY` sets the display format to Binary.
`BUS:B1:AUDIO:DISPLAY:FORMat?` might return
`:BUS:B1:AUDIO:DISPLAY:FORMAT SIGNEDDECIMAL` indicating that the display format is set to signed decimal.

BUS:B<x>:AUDio:FRAME:SIZE

Specifies the number of channels in each frame for the AUDIO bus. `B<x>` is the bus number 1-4.

NOTE. *This command is applicable only for TDM audio bus type (`BUS:B<x>:AUDio:TYPE TDM`)*

Conditions This command requires DPO4AUDIO application module.

Group Bus

Syntax `BUS:B<x>:AUDio:FRAME:SIZE <NR1>`
`BUS:B<x>:AUDio:FRAME:SIZE?`

Arguments `<NR1>` specifies the number of channels in each frame.

Examples `BUS:B1:AUDIO:FRAME:SIZE 2` sets the frame size to 2.
`BUS:B1:AUDIO:FRAME:SIZE?` might return `:BUS:B1:AUDIO:FRAME:SIZE 8` indicating that the number of channels in each frame is set to 8.

BUS:B<x>:AUDio:FRAMESync:POLarity

Specifies the frame sync polarity for the AUDIO bus. `B<x>` is the bus number 1-4.

Conditions This command requires DPO4AUDIO application module.

Group Bus

Syntax `BUS:B<x>:AUDio:FRAMESync:POLarity {FALL|RISE}`
`BUS:B<x>:AUDio:FRAMESync:POLarity?`

Arguments FALL specifies the falling edge as the frame sync polarity.
RISe specifies the rising edge as the frame sync polarity.

Examples `BUS:B1:AUDIO:FRAMESYNC:POLARITY FALL` sets the falling edge for frame sync polarity.
`BUS:B1:AUDIO:FRAMESYNC:POLARITY?` might return `:BUS:B1:AUDIO:FRAMESYNC:POLARITY RISe` indicating that the polarity is set to Rise.

BUS:B<x>:AUDio:FRAMESync:SOUrce

Specifies the frame sync source waveform for the AUDIO bus. B<x> is the bus number 1-4.

Conditions This command requires DPO4AUDIO application module.

Group Bus

Syntax `BUS:B<x>:AUDio:FRAMESync:SOUrce {CH1|CH2|CH3|CH4|D0|D1|D2|D3|D4|D5|D6|D7|D8|D9|D10|D11|D12|D13|D14|D15}`
`BUS:B<x>:AUDio:FRAMESync:SOUrce?`

Arguments CH1–CH4 specifies the analog channel to use as the frame sync source waveform for the audio bus.
D0–D15 specifies the digital channel to use as the frame sync source waveform for the audio bus. (MSO /MDO models only.)

Examples `BUS:B1:AUDIO:FRAMESYNC:SOURCE CH1` sets CH1 as the frame sync source.
`BUS:B1:AUDIO:FRAMESYNC:SOURCE?` might return `:BUS:B1:AUDIO:FRAMESYNC:SOURCE CH2` indicating that the source is set to Ch2.

BUS:B<x>:AUDio:TYPE

Specifies the audio format (type) for the AUDIO bus. B<x> is the bus number 1-4.

Conditions This command requires DPO4AUDIO application module.

Group	Bus
Syntax	BUS:B<x>:AUDIO:TYPE {I2S LJ RJ TDM} BUS:B<x>:AUDIO:TYPE?
Arguments	I2S specifies I2S audio format. LJ specifies left-justified audio format. RJ specifies right justified audio format. TDM specifies time-division multiplexing audio format.
Examples	BUS:B1:AUDIO:TYPE RJ sets right-justified as the audio format. BUS:B1:AUDIO:TYPE? might return :BUS:B1:AUDIO:TYPE I2S indicating that the audio format is set to I2S.

BUS:B<x>:AUDIO:WORDSel:POLarity

Specifies the word select polarity for the AUDIO bus. B<x> is the bus number 1-4.

Conditions	This command requires DPO4AUDIO application module.
Group	Bus
Syntax	BUS:B<x>:AUDIO:WORDSel:POLarity {NORMal INVERTed} BUS:B<x>:AUDIO:WORDSel:POLarity?
Arguments	NORMal specifies positive WORDSel polarity. INVERTed specifies negative WORDSel polarity.
Examples	BUS:B1:AUDIO:WORDSEL:POLARITY NORMal sets normal as the word select polarity. BUS:B1:AUDIO:WORDSEL:POLARITY? might return :BUS:B1:AUDIO:WORDSEL:POLARITY NORMAL indicating that the word select polarity is set to normal.

BUS:B<x>:AUDio:WORDSel:SOURce

Specifies the word select source waveform for the AUDIO bus. B<x> is the bus number 1-4.

Conditions This command requires DPO4AUDIO application module.

Group Bus

Syntax BUS:B<x>:AUDio:WORDSel:SOURce {CH1|CH2|CH3|CH4
|D0|D1|D2|D3|D4|D5|D6|D7|D8|D9|D10|D11|D12|D13|D14|D15}

BUS:B<x>:AUDio:WORDSel:SOURce?

Arguments CH1–CH4 specifies the analog channel to use as the word select source waveform for the audio bus.

D0–D15 specifies the digital channel to use as the word select source waveform for the audio bus. (MSO/MDO models only.)

Examples BUS:B1:AUDIO:WORDSEL:SOURCE CH1 sets CH1 as the word select source.

BUS:B1:AUDIO:WORDSEL:SOURCE? might return
:BUS:B1:AUDIO:WORDSEL:SOURCE CH2 indicating that the word select source is set to CH2.

BUS:B<x>:CAN:BITRate

Specifies the bit rate for CAN bus <x>, where x is the bus number 1-4. B<x> is the bus number 1-4.

Conditions This command requires a DPO4AUTO application module.

Group Bus

Syntax BUS:B<x>:CAN:BITRate <NR1>
BUS:B<x>:CAN:BITRate?

Arguments <NR1> is the bit rate. The instrument supports bit rates at 10 bps intervals. You can enter any positive integer, and the instrument will coerce the value to the closest supported bit rate.

Returns The query always returns the numerical bit rate value.

Examples `bus:b1:can:bitrate 50000` sets the CAN bit rate to 50000.
`bus:b1:can:bitrate?` might return `:BUS:B1:CAN:BITRATE 50000` indicating the bit rate is set to 50K.

BUS:B<x>:CAN:PRObe

Specifies the probing method to probe CAN bus <x>, where x is the bus number 1-4. B<x> is the bus number 1-4.

Conditions This command requires a DPO4AUTO or DPO4AUTOMAX application module.

Group Bus

Syntax `BUS:B<x>:CAN:PRObe {CANH|CANL|RX|TX|DIFFerential}`
`BUS:B<x>:CAN:PRObe?`

Arguments CANH specifies the single-ended CANH signal, as specified by the CAN standard.
 CANL specifies the single-ended CANL signal, as specified by the CAN standard.
 RX specifies the receive signal on the bus side of the CAN transceiver.
 TX specifies the transmit signal.
 DIFFerential specifies the differential CAN signal.

BUS:B<x>:CAN:SAMPLEpoint

Specifies the sampling point during each bit period for bus <x>. B<x> is the bus number 1-4.

Conditions This command requires a DPO4AUTO or DPO4AUTOMAX application module.

Group Bus

Syntax `BUS:B<x>:CAN:SAMPLEpoint <NR1>`
`BUS:B<x>:CAN:SAMPLEpoint?`

Arguments <NR1> is the sample point in percent. Values are limited to 25, 30, ... 70, 75.

BUS:B<x>:CAN:SOURce

Specifies the CAN bus data source for bus <x>. B<x> is the bus number 1-4.

Conditions This command requires a DPO4AUTO or DPO4AUTOMAX application module.

Group Bus

Syntax BUS:B<x>:CAN:SOURce {CH1|CH2|CH3|CH4|
D0|D1|D2|D3|D4|D5|D6|D7|D8|D9|D10|D11|D12|D13|D14|D15}
BUS:B<x>:CAN:SOURce?

Arguments CH1–CH4 is the analog channel to use as the data source waveform for the CAN bus.
D0–D15 is the digital channel to use as the data source waveform for the CAN bus. (MSO/MDO models only.)

BUS:B<x>:DISPlay:FORMat

Specifies the display format for the numerical information in the bus waveform, where <x> is the bus number 1-4. The display formats supported depend on the [BUS:B<x>:TYPE](#). B<x> is the bus number 1-4.

Table 2-43: Supported display formats

Bus type	Display format
Audio	BINary HEXadecimal ASCII SIGNEDDECimal ¹
CAN	BINary HEXadecimal
Ethernet	BINary HEXadecimal ASCII MIXed
FlexRay	BINary HEXadecimal MIXed
I ² C	BINary HEXadecimal
LIN	BINary HEXadecimal MiXed
MIL-STD-1553	BINary HEXadecimal ASCII MIXed BLOCKHEX
Parallel	BINary HEXadecimal
RS232C	BINary HEXadecimal ASCII
SPI	BINary HEXadecimal
USB	BINary HEXadecimal MIXed MIXED2

¹ SIGNEDDECimal is set using the audio application [BUS:B<x>:AUDio:DISplay:FORMat](#) command.

Group Bus

Syntax `BUS:B<x>:DISplay:FORMat`
`{BINary|HEXadecima1|ASCII|MIXed|MIXED2|BLOCKHEX}`
`BUS:B<x>:DISplay:FORMat?`

Related Commands [BUS:B<x>:TYPE](#)

Arguments

- `BINary` – All values are displayed in binary.
- `HEXadecima1` – All values are displayed in hexadecimal.
- `ASCII` – All values are displayed in an ASCII format, for RS-232 only.
- `MIXed` – Values are displayed in a mixture of hexadecimal, binary, and decimal, depending on the field.
- `MIXED2` – Values are displayed in a mixture of hexadecimal, binary, decimal and ASCII, depending on the field.
- `BLOCKHEX` – Displays the 16-bits of each payload as a block of 4 hexadecimal digits.

BUS:B<x>:DISplay:TYPE

Specifies the display type for bus <x>, where x is the bus number 1-4. You can set up the bus to display the protocol information, the logic waveforms that comprise the bus, or both. `B<x>` is the bus number 1-4.

Group Bus

Syntax `BUS:B<x>:DISplay:TYPE {BUS|BOTH}`
`BUS:B<x>:DISplay:TYPE?`

Arguments

- `BUS` displays the bus waveforms only.
- `BOTH` displays both the bus and logic waveforms.

BUS:B<x>:ETHERnet:PRObe

This command specifies the Ethernet probe type: differential or single-ended. The default is DIFFerential. B<x> is the bus number 1-4.

Conditions This command requires a DPO4ENET application module.

Group Bus

Syntax BUS:B<x>:ETHERnet:PRObe {DIFFerential|SINGleended}
BUS:B<x>:ETHERnet:PRObe?

Related Commands [BUS:B<x>:ETHERnet:SOURce:DIFFerential](#)
[BUS:B<x>:ETHERnet:SOURce:DMINus](#)
[BUS:B<x>:ETHERnet:SOURce:DPLUS](#)

Arguments DIFFerential
SINGleended

Examples BUS:B1:ETHERnet:PRObe DIFFerential specifies that a differential probe is connected to the input channels specified by BUS:B<x>:ETHERnet:SOURce:DPLUS and BUS:B<x>:ETHERnet:SOURce:DMINus.

BUS:B1:ETHERnet:PRObe? might return SINGLEENDED, indicating that the probe type has been set to single-ended.

BUS:B<x>:ETHERnet:PROTOcol

Use this command to set the Ethernet protocol type to TCP/IPV4, or to OTHER. The default is IPV4. B<x> is the bus number 1-4.

NOTE. The commands [TRIGger:A:BUS:B<x>:ETHERnet:CONDition DATA](#) and [SEARCH:SEARCH<x>:TRIGger:A:BUS:B<x>:ETHERnet:CONDition DATA](#) are impacted by the setting of this command.

Conditions This command requires a DPO4ENET application module.

Group	Bus
Syntax	BUS:B<x>:ETHERnet:PROTOcol {IPv4 OTHER} BUS:B<x>:ETHERnet:PROTOcol?
Related Commands	TRIGger:A:BUS:B<x>:ETHERnet:CONDition SEARCH:SEARCH<x>:TRIGger:A:BUS:B<x>:ETHERnet:CONDition
Arguments	IPv4 sets the Ethernet protocol type to Internet Protocol version 4. OTHER sets the Ethernet protocol type to other than IPv4.
Examples	BUS:B1:ETHERnet:PROTOcol IPv4 specifies IPv4 as the Ethernet protocol. BUS:B1:ETHERnet:PROTOcol? might return OTHER.

BUS:B<x>:ETHERnet:SOURce:DIFFerential

This command specifies the Ethernet data source for differential input. The supported source waveforms are channels 1–4, math waveform, and reference waveforms 1–4. The default is channel 1. B<x> is the bus number 1–4.

Conditions	This command requires a DPO4ENET application module.
Group	Bus
Syntax	BUS:B<x>:ETHERnet:SOURce:DIFFerential {CH1 CH2 CH3 CH4 MATH REF1 REF2 REF3 REF4} BUS:B<x>:ETHERnet:SOURce:DIFFerential?
Related Commands	BUS:B<x>:ETHERnet:PRObe TRIGger:A:BUS:B<x>:ETHERnet:CONDition SEARCH:SEARCH<x>:TRIGger:A:BUS:B<x>:ETHERnet:CONDition
Arguments	CH1–4 specifies to use one of the channels 1–4 as the Ethernet data source for differential input. MATH specifies to use the math waveform as the source for Ethernet data differential input

REF1–4 specifies to use one of the reference waveforms 1–4 as the source for Ethernet data differential input.

Examples `BUS:B1:ETHERnet:SOURce:DIFFerential ref4` specifies to use reference waveform 4 as the source for the Ethernet data differential input.

`BUS:B1:ETHERnet:SOURce:DIFFerential?` might return CH2, indicating that channel 2 is the currently specified source for Ethernet data differential input.

BUS:B<x>:ETHERnet:SOURce:DMINus

This command specifies the Ethernet data source for D- input for single-ended probing. The default is Channel 2. B<x> is the bus number 1-4.

Conditions This command requires a DPO4ENET application module.

Group Bus

Syntax `BUS:B<x>:ETHERnet:SOURce:DMINus {CH1|CH2|CH3|CH4|D0|D1|D2|D3|D4|D5|D6|D7|D8|D9|D10|D11|D12|D13|D14|D15}`

`BUS:B<x>:ETHERnet:SOURce:DMINus?`

Related Commands [BUS:B<x>:ETHERnet:PRObe](#)
[BUS:B<x>:ETHERnet:SOURce:DPLUs](#)

Arguments CH1–4 specifies to use one of the analog channels as the Ethernet data source for the D- input.

D0–D15 specifies to use one of the digital channels D0 — D15 as the Ethernet data source for the D- input. (MSO/MDO models only.)

Examples `BUS:B1:ETHERnet:SOURce:DMINus D5` specifies the Ethernet data source for the D- input as D5.

`BUS:B1:ETHERnet:SOURce:DMINus?` might return CH3, indicating that channel 3 is the Ethernet data source for the D- input.

BUS:B<x>:ETHERnet:SOURce:DPLUs

This command specifies the Ethernet data source for the D+ input for single-ended probing. The default is channel 1. B<x> is the bus number 1-4.

Conditions	This command requires a DPO4ENET application module.
Group	Bus
Syntax	BUS:B<x>:ETHERnet:SOURce:DPLUS {CH1 CH2 CH3 CH4 D0 D1 D2 D3 D4 D5 D6 D7 D8 D9 D10 D11 D12 D13 D14 D15} BUS:B<x>:ETHERnet:SOURce:DPLUS?
Related Commands	BUS:B<x>:ETHERnet:PRObe BUS:B<x>:ETHERnet:SOURce:DMINus
Arguments	CH1-4 specifies to use one of the analog channels 1-4 as the Ethernet data source for the D+ input. D0-D15 specifies to use one of the digital channels D0 — D15 as the Ethernet data source for the D+ input. (MSO/MDO models only.)
Examples	BUS:B1:ETHERnet:SOURce:DPLUS D5 specifies the Ethernet data source for the D+ input as D5. BUS:B1:ETHERnet:SOURce:DPLUS? might return CH3, indicating that channel 3 is the Ethernet data source for the D+ input.

BUS:B<x>:ETHERnet:TYPE

This command specifies the Ethernet standard type: 10Base-T or 100Base-T. The default is ENET 100 BASETX. B<x> is the bus number 1-4.

Conditions	This command requires a DPO4ENET application module.
Group	Bus
Syntax	BUS:B<x>:ETHERnet:TYPE {ENET10BASET ENET100BASETX} BUS:B<x>:ETHERnet:TYPE?

Related Commands	<p>BUS:B<x>:ETHERnet:PRObe</p> <p>TRIGger:A:BUS:B<x>:ETHERnet:CONDition</p> <p>SEARCH:SEARCH<x>:TRIGger:A:BUS:B<x>:ETHERnet:CONDition</p>
Arguments	<p>ENET10BASET specifies the Ethernet type as 10Base-T standard. This standard supports data transfer rates up to 10 Mbps (also called Twisted Pair Ethernet).</p> <p>ENET100BASETX specifies the Ethernet type as 100Base-T standard. This standard supports data transfer rates up to 100 Mbps (also called Fast Ethernet).</p>
Examples	<p><code>BUS:B1:ETHERnet:TYPE ENET100BASETX</code> specifies the Ethernet type as 100Base-T.</p> <p><code>BUS:B1:ETHERnet:TYPE?</code> might return ENET10BASET, indicating that the Ethernet type has been set to 10Base-T.</p>

BUS:B<x>:FLEXray:BITRate

Specifies the bit rate for the FlexRay bus signal. The maximum bitrate is 100 Mbps. `B<x>` is the bus number 1-4.

Conditions	This command requires a DPO4AUTOMAX application module.
Group	Bus
Syntax	<p><code>BUS:B<x>:FLEXray:BITRate <NR1></code></p> <p><code>BUS:B<x>:FLEXray:BITRate?</code></p>
Arguments	<code><NR1></code> specifies the FlexRay bus bit rate. You can enter any positive integer, and the instrument will coerce the value to the closest supported bit rate.
Examples	<p><code>BUS:B1:FLEXRAY:BITRATE 9600</code> sets the FlexRay bus bit rate to 9600 bits per second.</p> <p><code>BUS:B1:FLEXRAY:BITRATE?</code> might return <code>BUS:B1:FLEXRAY:BITRATE 10000000</code> indicating the FlexRay bit rate is 10,000,000 bits per second.</p>

BUS:B<x>:FLEXray:CHannel

Specifies the FlexRay ID format. `B<x>` is the bus number 1-4.

Conditions	This command requires a DPO4AUTOMAX application module.
Group	Bus
Syntax	BUS:B<x>:FLEXray:Channel {A B} BUS:B<x>:FLEXray:Channel?
Arguments	A sets the FlexRay ID format to channel A. B sets the FlexRay ID format to channel B.
Examples	BUS:B1:FLEXRAY:CHANNEL B sets the FlexRay ID format to channel B. BUS:B1:FLEXRAY:CHANNEL? might return BUS:B1:FLEXRAY:CHANNEL A indicating that FlexRay ID format is channel A.

BUS:B<x>:FLEXray:SIGnal

Specifies the FlexRay bus standard. B<x> is the bus number 1-4.

Conditions	This command requires a DPO4AUTOMAX application module.
Group	Bus
Syntax	BUS:B<x>:FLEXray:SIGna] {BDIFFBP BM TXRX} BUS:B<x>:FLEXray:SIGna]?
Arguments	BDIFFBP sets the FlexRay standard to BDIFFBP. BM sets the FlexRay standard to BM. TXRX sets the FlexRay standard to TXRX.
Examples	BUS:B1:FLEXRAY:SIGNAL BM sets the FlexRay standard is BM. BUS:B1:FLEXRAY:SIGNAL? might return BUS:B1:FLEXRAY:SIGNAL BDIFFBP indicating the FlexRay standard is BDIFFBP.

BUS:B<x>:FLEXray:SOUrce

Specifies the FlexRay data source.

Conditions	This command requires a DPO4AUTOMAX application module.
Group	Bus
Syntax	<pre>BUS:B<x>:FLEXray:SOURCE {CH1 CH2 CH3 CH4 D0 D1 D2 D3 D4 D5 D6 D7 D8 D9 D10 D11 D12 D13 D14 D15} BUS:B<x>:FLEXray:SOURCE?</pre>
Arguments	<p>CH1–CH4 specifies the analog channel to use as the data source waveform for the FlexRay bus.</p> <p>D0–D15 specifies the digital channel to use as the data source waveform for the FlexRay bus. (MSO/MDO models only.)</p>
Examples	<p><code>BUS:B1:FLEXRAY:SOURCE CH4</code> sets the FlexRay source to channel 4.</p> <p><code>BUS:B1:FLEXRAY:SOURCE?</code> might return <code>BUS:B1:FLEXRAY:SOURCE CH1</code> indicating the FlexRay source is channel 1.</p>

BUS:B<x>:I2C:ADDRESS:RWINCLUDE

Sets and returns whether the read/write bit is included in the address. B<x> is the bus number 1-4.

Group	Bus
Syntax	<pre>BUS:B<x>:I2C:ADDRESS:RWINCLUDE {<NR1> OFF ON} BUS:B<x>:I2C:ADDRESS:RWINCLUDE?</pre>
Arguments	<p><NR1> = 0 does not include the read/write bit in the address; any other value includes the read/write bit in the address..</p> <p>OFF does not include the read/write bit in the address.</p> <p>ON includes the read/write bit in the address.</p>
Examples	<p><code>BUS:B1:I2C:ADDRESS:RWINCLUDE ON</code> includes the read/write bit in the address.</p>

BUS:B1:I2C:ADDRESS:RWINCLUDE? might return
 BUS:B1:I2C:ADDRESS:RWINCLUDE 0 indicating the read/write bit is not
 included in the address.

BUS:B<x>:I2C{ :CLOCK| :SCLk}:SOUrce

This command specifies the I2C SCLK source for bus <x>, which can be 1–4.

Conditions	This command requires a DPO4EMBD application module.
Group	Bus
Syntax	BUS:B<x>:I2C{ :CLOCK :SCLk}:SOUrce {CH1 CH2 CH3 CH4 D0 D1 D2 D3 D4 D5 D6 D7 D8 D9 D10 D11 D12 D13 D14 D15} BUS:B<x>:I2C{ :CLOCK :SCLk}:SOUrce?
Arguments	CH1–CH4 specifies the analog channel to use as the I2C SCLK source waveform. D0–D15 specifies the digital channel to use as the I2C SCLK source waveform. (MSO/MDO models only.)

BUS:B<x>:I2C{ :DATA| :SDAta}:SOUrce

Specifies the I2C SDATA source for bus <x>, where x is the bus number 1-4 1–4.

Conditions	This command requires a DPO4EMBD application module.
Group	Bus
Syntax	BUS:B<x>:I2C{ :DATA :SDAta}:SOUrce {CH1 CH2 CH3 CH4 D0 D1 D2 D3 D4 D5 D6 D7 D8 D9 D10 D11 D12 D13 D14 D15} BUS:B<x>:I2C{ :DATA :SDAta}:SOUrce?
Arguments	CH1–CH4 specifies the analog channel to use as the I2C SDATA source waveform. D0–D15 specifies the digital channel to use as the I2C SDATA source waveform. (MSO/MDO models only.)

BUS:B<x>:LABel

Specifies the waveform label for bus < x>, where x is the bus number 1-4 1 through 4.

Group Bus

Syntax BUS:B<x>:LABel <Qstring>
BUS:B<x>:LABel?

Arguments <Qstring> is an alphanumeric string of text, enclosed in quotes, that contains the text label information for bus <x>. The text string is limited to 30 characters.

BUS:B<x>:LIN:BITRate

Specifies the bit rate for LIN. B<x> is the bus number 1-4.

Group Bus

Syntax BUS:B<x>:LIN:BITRate <NR1>
BUS:B<x>:LIN:BITRate?

Arguments <NR1> is the LIN bit rate. You can enter any positive integer, and the instrument will coerce the value to the closest supported bit rate.

Examples BUS:B1:LIN:BITRATE 9600 sets the bit rate 9600.

BUS:B1:LIN:BITRATE? might return BUS:B1:LIN:BITRATE 2400 indicating the bit rate is set to 2400.

BUS:B<x>:LIN:IDFORmat

Specifies the LIN ID format. B<x> is the bus number 1-4.

Group Bus

Syntax BUS:B<x>:LIN:IDFORmat {NOPARity|PARity}
BUS:B<x>:LIN:IDFORmat?

- Arguments** `NOPARity` sets the LIN id format to no parity.
 `PARity` sets the LIN id format to parity.
- Examples** `BUS:B1:LIN:IDFORMAT PARITY` sets the LIN id format to parity.
 `BUS:B1:LIN:IDFORMAT?` might return `BUS:B1:LIN:IDFORMAT NOPARITY`
 indicating the LIN id format is no parity.

BUS:B<x>:LIN:POLarity

Specifies the LIN polarity. `B<x>` is the bus number 1-4.

- Group** `Bus`
- Syntax** `BUS:B<x>:LIN:POLarity {NORMAL|INverted}`
 `BUS:B<x>:LIN:POLarity?`
- Arguments** `NORMAL` specifies normal LIN polarity.
 `INverted` specifies inverted LIN polarity.
- Examples** `BUS:B1:LIN:POLARITY INVERTED` sets the LIN polarity to `INVERTED..`
 `BUS:B1:LIN:POLARITY?` might return `BUS:B1:LIN:POLARITY NORMAL`
 indicating the LIN polarity is normal.

BUS:B<x>:LIN:SAMPLEpoint

Specifies the sample point (in %) at which to sample during each bit period. `B<x>` is the bus number 1-4.

- Group** `Bus`
- Syntax** `BUS:B<x>:LIN:SAMPLEpoint <NR1>`
 `BUS:B<x>:LIN:SAMPLEpoint?`
- Arguments** `<NR1>` is the sample point (in %) at which to sample during each bit period.

Examples `BUS:B1:LIN:SAMPLEPOINT 10` sets the sample point is at 10% of the bit period
`BUS:B1:LIN:SAMPLEPOINT?` might return `BUS:B1:LIN:SAMPLEPOINT 50` indicating that the sample point is at 50% of the bit period

BUS:B<x>:LIN:SOURce

Specifies the LIN data source waveform. B<x> is the bus number 1-4.

Group Bus

Syntax `BUS:B<x>:LIN:SOURce`
`{CH1|CH2|CH3|CH4|D0|D1|D2|D3|D4|D5|D6|D7|D8|D9|D10|D11|D12|D13|D14|D15}`
`BUS:B<x>:LIN:SOURce?`

Arguments CH1-CH4 specifies the analog channel to use as the LIN source waveform.
D0-D15 specifies the digital channel to use as the LIN source waveform.
(MSO/MDO models only.)

Examples `BUS:B1:LIN:SOURce CH4` sets the LIN source to channel 4.
`BUS:B1:LIN:SOURce?` might return `BUS:B1:LIN:SOURce CH1` indicating the LIN source is channel 1.

BUS:B<x>:LIN:STANDARD

Specifies the LIN standard. B<x> is the bus number 1-4.

Group Bus

Syntax `BUS:B<x>:LIN:STANDARD {V1X|V2X|MIXed}`
`BUS:B<x>:LIN:STANDARD?`

Arguments V1X sets the LIN standard to V1X.
V2X sets the LIN standard to V2X
MIXed sets the LIN standard to MIXED.

Examples `BUS:B1:LIN:STANDARD V1X` sets the LIN standard is V1X.
 `BUS:B1:LIN:STANDARD?` might return `BUS:B1:LIN:STANDARD V2X`
 indicating the LIN standard is V2X.

BUS:B<x>:MIL1553B:POLarity

This command sets the MIL-STD-1553 bus polarity to normal or inverted.

Conditions This command requires a DPO4AERO application module.

Group Bus

Syntax `BUS:B<x>:MIL1553B:POLarity {NORMal|INVERTed}`
 `BUS:B<x>:MIL1553B:POLarity?`

Related Commands [TRIGger:A:BUS:B<x>:MIL1553B:CONDition](#)
 [SEARCH:SEARCH<x>:TRIGger:A:BUS:B<x>:MIL1553B:CONDition](#)
 [BUS:B<x>:MIL1553B:SOUrce](#)

Arguments `NORMal` — A high-low transition represents a 1 on the Data+ line.
 `INVERTed` — A high-low transition represents a 0 on the Data+ line.

Examples `BUS:B1:MIL1553B:POLarity INVERTed` sets the MIL-STD-1553 bus polarity
 so that a high-low transition represents a 0 on the Data+ line..
 `BUS:B1:MIL1553B:POLarity?` might return `NORMAL`.

BUS:B<x>:MIL1553B:RESPonsetime:MAXimum

This command specifies the maximum response time to a valid command issued.
 B<x> is the bus number 1-4.

NOTE. *The MIL-STD-1553 bus specification requires devices to respond to a valid command within 4 to 12 microseconds.*

Conditions This command requires a DPO4AERO application module.

Group	Bus
Syntax	BUS:B<x>:MIL1553B:RESPonsetime:MAXimum <NR3> BUS:B<x>:MIL1553B:RESPonsetime:MAXimum?
Related Commands	BUS:B<x>:MIL1553B:RESPonsetime:MINimum
Arguments	<NR3> is a floating point number that specifies the maximum response time, in seconds.
Examples	BUS:B1:MIL1553B:RESPonsetime:MAXimum 12.0E-6 specifies the maximum response time to a valid command received to be 12.0000E-6 microseconds. BUS:B1:MIL1553B:RESPonsetime:MAXimum? might return 12.0000E-6.

BUS:B<x>:MIL1553B:RESPonsetime:MINimum

This command specifies the minimum response time to a valid command issued. B<x> is the bus number 1-4.

NOTE. *The MIL-STD-1553 bus specification requires devices to respond to a valid command within 4 to 12 microseconds.*

Conditions	This command requires a DPO4AERO application module.
Group	Bus
Syntax	BUS:B<x>:MIL1553B:RESPonsetime:MINimum <NR3> BUS:B<x>:MIL1553B:RESPonsetime:MINimum?
Related Commands	BUS:B<x>:MIL1553B:RESPonsetime:MAXimum
Arguments	<NR3> is a floating point number that specifies the minimum response time in seconds.
Examples	BUS:B1:MIL1553B:RESPonsetime:MINimum 4.0E-6 specifies the minimum response time to a valid command received to 4.0E-6 microseconds. BUS:B1:MIL1553B:RESPonsetime:MINimum? might return 4.0000E-6.

BUS:B<x>:MIL1553B:SOURce

This command specifies the MIL-STD-1553 bus source for differential input. The supported source waveforms are channels 1–4, math waveform, and reference waveforms 1–4. The default is channel 1. B<x> is the bus number 1-4.

Conditions	This command requires a DPO4AERO application module.
Group	Bus
Syntax	BUS:B<x>:MIL1553B:SOURce {CH1 CH2 CH3 CH4 MATH REF1 REF2 REF3 REF4} BUS:B<x>:MIL1553B:SOURce?
Related Commands	BUS:B<x>:ETHERnet:PRObe SEARCH:SEARCH<x>:TRIGger:A:BUS:B<x>:MIL1553B:CONDition TRIGger:A:BUS:B<x>:MIL1553B:CONDition
Arguments	CH1–4 specifies to use one of the analog channels as the MIL-STD-1553 bus source for differential input. MATH specifies to use the math waveform as the MIL-STD-1553 bus source for differential input REF1–4 specifies to use one of the reference waveforms as the MIL-STD-1553 bus source for differential input.
Examples	BUS:B1:MIL1553B:SOURce ref4 specifies to use reference waveform 4 as the source for MIL-STD-1553 bus input. BUS:B1:MIL1553B:SOURce? might return CH2, indicating that channel 2 is the currently specified source for MIL-STD-1553 bus input.

BUS:B<x>:PARAllel:BIT<x>:SOURce

Specifies the parallel bit source for B<x>, where x is the bus number 1-4 (1–4) and Bit<x> is the bit number.

Group Bus

Syntax `BUS:B<x>:PARAllel:BIT<x>:SOURCE {CH1|CH2|CH3|CH4|D0|D1|D2|D3|D4|D5|D6|D7|D8|D9|D10|D11|D12|D13|D14|D15}`
`BUS:B<x>:PARAllel:BIT<x>:SOURCE?`

Arguments CH1-CH4 specifies the analog channel to use as the parallel bit source waveform .
D0-D15 specifies the digital channel to use as the parallel bit source waveform.
(MSO/MDO models only.)

BUS:B<x>:PARAllel:CLOCK:EDGE

Specifies the parallel clock edge for bus <x>. B<x> is the bus number 1-4.

Group Bus

Syntax `BUS:B<x>:PARAllel:CLOCK:EDGE {EITHer|RISing|FALling}`
`BUS:B<x>:PARAllel:CLOCK:EDGE?`

Arguments EITHer specifies either edge as the clock edge.
RISing specifies the rising edge as the clock edge.
FALling specifies the falling edge as the clock edge.

BUS:B<x>:PARAllel:CLOCK:ISCLOCKed

Specifies the parallel bus clock function for bus <x>. B<x> is the bus number 1-4 1-4.

Group Bus

Syntax `BUS:B<x>:PARAllel:CLOCK:ISCLOCKed {YES|NO}`
`BUS:B<x>:PARAllel:CLOCK:ISCLOCKed?`

Arguments YES specifes that the Parallel bus is clocked.
NO specifes that the Parallel bus is not clocked.

BUS:B<x>:PARAllel:CLOCK:SOURce

Specifies the parallel clock source waveform, where <x> is the bus number 1-4 1-4.

Group Bus

Syntax BUS:B<x>:PARAllel:CLOCK:SOURce {CH1|CH2|CH3|CH4|
D0|D1|D2|D3|D4|D5|D6|D7|D8|D9|D10|D11|D12|D13|D14|D15}

BUS:B<x>:PARAllel:CLOCK:SOURce?

Arguments CH1-CH4 specifies the analog channel to use as the parallel clock source waveform.
D0-D15 specifies the digital channel to use as the parallel clock source waveform. (MSO/MDO models only.)

BUS:B<x>:PARAllel:WIDth

This command specifies the number of bits used for the width of the Parallel bus <x>, where x is the bus number 1-4 (1-4).

Group Bus

Syntax BUS:B<x>:PARAllel:WIDth <NR1>
BUS:B<x>:PARAllel:WIDth?

Arguments <NR1> is the number of bits.

BUS:B<x>:POSition

This command specifies the position of the bus <x> waveform on the display. x is the bus number 1-4 1-4.

Group Bus

Syntax BUS:B<x>:POSition <NR3>
BUS:B<x>:POSition?

Arguments <NR3> is a floating point number that specifies the position of the bus <x> waveform on the display.

BUS:B<x>:RS232C:BITRate

This command specifies the RS-232 bit rate for bus <x>, where x is the bus number 1-4.

Conditions This command requires a DPO4COMP application module.

Group Bus

Syntax BUS:B<x>:RS232C:BITRate <NR1>
BUS:B<x>:RS232C:BITRate?

Arguments <NR1> is the bit rate in bits-per-second. You can enter any positive integer, and the instrument will coerce the value to the closest supported bit rate.

BUS:B<x>:RS232C:DATAbits

This command specifies the number of RS-232 data bits for bus <x>, where x is the bus number 1-4.

Conditions This command requires a DPO4COMP application module.

Group Bus

Syntax BUS:B<x>:RS232C:DATAbits {7|8|9}
BUS:B<x>:RS232C:DATAbits?

Arguments 7 specifies seven bits in the RS-232 data frame.
8 specifies eight bits in the RS-232 data frame.

BUS:B<x>:RS232C:DELIMiter

This command specifies the RS-232 delimiting value for a packet on bus <x>, where x is the bus number 1-4 (1-4).

Conditions	This command requires a DPO4COMP application module.
Group	Bus
Syntax	<code>BUS:B<x>:RS232C:DELIMiter {NUL1 LF CR SPace XFF}</code> <code>BUS:B<x>:RS232C:DELIMiter?</code>
Arguments	NUL1 specifies 0x00. LF specifies 0x0A. CR specifies 0x0D. XFF specifies 0xFF.

BUS:B<x>:RS232C:DISplaymode

This command specifies the display mode for the bus <x> display and event table, where x is the bus number 1-4.

Conditions	This command requires a DPO4COMP application module.
Group	Bus
Syntax	<code>BUS:B<x>:RS232C:DISplaymode {FRame PACKET}</code> <code>BUS:B<x>:RS232C:DISplaymode?</code>
Arguments	FRame displays each frame as a single entity. PACKET displays a group of frames terminated with a single frame defined by the <code>BUS:B<x>:RS232C:DELIMiter</code> command or the front panel.

BUS:B<x>:RS232C:PARity

This command specifies the RS-232C parity for bus <x>, where x is the bus number 1-4 (1-4).

Conditions	This command requires a DPO4COMP application module.
Group	Bus

Syntax `BUS:B<x>:RS232C:PARity {NONE|EVEN|ODD}`
`BUS:B<x>:RS232C:PARity?`

Arguments NONE specifies no parity.
 EVEN specifies even parity.
 ODD specifies odd parity.

BUS:B<x>:RS232C:POLarity

This command specifies the RS-232C polarity for bus <x>, where x is the bus number 1-4 (1-4).

Conditions This command requires a DPO4COMP application module.

Group Bus

Syntax `BUS:B<x>:RS232C:POLarity {NORMal|INVERTed}`
`BUS:B<x>:RS232C:POLarity?`

Arguments NORMal sets the RS-232C bus polarity to positive.
 INVERTed sets the RS-232C bus polarity to negative.

BUS:B<x>:RS232C:RX:SOURce

This command specifies the RS-232 RX source waveform for bus <x>, where x is the bus number 1-4 (1-4).

Conditions This command requires a DPO4COMP application module.

Group Bus

Syntax `BUS:B<x>:RS232C:RX:SOURce {CH1|CH2|CH3|CH4|`
`D0|D1|D2|D3|D4|D5|D6|D7|D8|D9|D10|D11|D12|D13|D14|D15|off}`
`BUS:B<x>:RS232C:RX:SOURce?`

- Arguments** CH1–CH4 specifies the analog channel to use as the RS-232 RX source waveform.
 D0–D15 specifies the digital channel to use as the RS-232 RX source waveform. (MSO/MDO models only.)
 Off sets the specified bus input to off.

BUS:B<x>:RS232C:TX:SOURce

This command specifies the RS-232 TX source waveform for bus <x>, where x is the bus number 1-4 (1–4).

- Conditions** This command requires a DPO4COMP application module.
- Group** Bus
- Syntax** `BUS:B<x>:RS232C:TX:SOURce {CH1|CH2|CH3|CH4|D0|D1|D2|D3|D4|D5|D6|D7|D8|D9|D10|D11|D12|D13|D14|D15|Off}`
`BUS:B<x>:RS232C:TX:SOURce?`
- Arguments** CH1–CH4 specifies the analog channel to use as the RS-232 TX source waveform.
 D0–D15 specifies the digital channel to use as the RS-232 TX source waveform. (MSO/MDO models only.)
 Off sets the specified bus input to off.

BUS:B<x>:SPI:BITOrder

This command specifies the bit order for the specified SPI bus. LSB is least significant bit first; MSB is most significant bit first. B<x> is the bus number 1-4 (1–4).

- Group** Bus
- Syntax** `BUS:B<x>:SPI:BITOrder {LSB|MSB}`
`BUS:B<x>:SPI:BITOrder?`
- Arguments** LSB sets the bit order to least significant bit first.
 MSB sets the bit order to most significant bit first.

Examples `BUS:B1:SPI:BITORDER LSB` sets the bit order to least significant bit first.
`BUS:B1:SPI:BITORDER?` might return `BUS:B1:SPI:BITORDER MSB` indicating the SPI bit order is set to most significant bit first.

BUS:B<x>:SPI{:CLOCK|:SCLk}:POLarity

This command specifies the SPI SCLK polarity for bus <x>. B<x> is the bus number 1-4 (1–4).

Conditions This command requires a DPO4EMBD application module.

Group Bus

Syntax `BUS:B<x>:SPI{:CLOCK|:SCLk}:POLarity {FALL|RISe}`
`BUS:B<x>:SPI{:CLOCK|:SCLk}:POLarity?`

Arguments FALL specifies the falling edge.
 RISe specifies the rising edge.

BUS:B<x>:SPI{:CLOCK|:SCLk}:SOUrce

This command specifies the SPI SCLK source waveform for bus <x>, where x is the bus number 1-4 (1–4).

Conditions This command requires a DPO4EMBD application module.

Group Bus

Syntax `BUS:B<x>:SPI{:CLOCK|:SCLk}:SOUrce {CH1|CH2|CH3|CH4|D0|D1|D2|D3|D4|D5|D6|D7|D8|D9|D10|D11|D12|D13|D14|D15}`
`BUS:B<x>:SPI{:CLOCK|:SCLk}:SOUrce?`

Arguments CH1–CH4 specifies the analog channel to use as the SPI SCLK source waveform.
 D0–D15 specifies the digital channel to use as the SPI SCLK source waveform. (MSO/MDO models only.)

BUS:B<x>:SPI:DATA{:IN|:MISO}:POLarity

This command specifies the SPI MISO polarity for bus <x>, where x is the bus number 1-4 (1-4).

Conditions This command requires a DPO4EMBD application module.

Group Bus

Syntax `BUS:B<x>:SPI:DATA{:IN|:MISO}:POLarity {LOW|HIGH}`
`BUS:B<x>:SPI:DATA{:IN|:MISO}:POLarity?`

Arguments LOW specifies an active low polarity.
 HIGH specifies an active high polarity.

BUS:B<x>:SPI:DATA{:IN|:MISO}:SOUrce

This command specifies the SPI MISO source waveform for bus <x>, where x is the bus number 1-4 (1-4).

Conditions This command requires a DPO4EMBD application module.

Group Bus

Syntax `BUS:B<x>:SPI:DATA{:IN|:MISO}:SOUrce {CH1|CH2|CH3|CH4|D0|D1|D2|D3|D4|D5|D6|D7|D8|D9|D10|D11|D12|D13|D14|D15}`
`BUS:B<x>:SPI:DATA{:IN|:MISO}:SOUrce?`

Arguments CH1-CH4 specifies the analog channel to use as the SPI MISO source waveform.
 D0-D15 specifies the digital channel to use as the SPI MISO source waveform. (MSO/MDO models only.)

BUS:B<x>:SPI:DATA{:OUT|:MOSI}:POLarity

This command specifies the SPI MOSI polarity for bus <x>, where x is the bus number 1-4 (1-4).

Conditions	This command requires a DPO4EMBD application module.
Group	Bus
Syntax	BUS:B<x>:SPI:DATA{:OUT :MOSI}:POLarity {LOW HIGH} BUS:B<x>:SPI:DATA{:OUT :MOSI}:POLarity?
Arguments	LOW specifies the active low polarity. HIGH specifies the active high polarity.

BUS:B<x>:SPI:DATA{:OUT|:MOSI}:SOURCE

This command specifies the SPI MOSI source for bus <x> where x is the bus number 1-4 (1-4).

Conditions	This command requires a DPO4EMBD application module.
Group	Bus
Syntax	BUS:B<x>:SPI:DATA{:OUT :MOSI}:SOURCE {CH1 CH2 CH3 CH4 D0 D1 D2 D3 D4 D5 D6 D7 D8 D9 D10 D11 D12 D13 D14 D15} BUS:B<x>:SPI:DATA{:OUT :MOSI}:SOURCE?
Arguments	CH1-CH4 specifies the analog channel to use as the SPI MOSI source waveform. D0-D15 specifies the digital channel to use as the SPI MOSI source waveform. (MSO/MDO models only.)

BUS:B<x>:SPI:DATA:SIZE

This command specifies the number of bits per word for the specified SPI bus. B<x> is the bus number (1-4).

Group	Bus
Syntax	BUS:B<x>:SPI:DATA:SIZE <NR1> BUS:B<x>:SPI:DATA:SIZE?

- Arguments** NR1 is the data size of the specified bus.
- Examples** `BUS:B1:SPI:DATA:SIZE 8` sets the data size for the specified bus to 8 bits per word.
- `BUS:B1:SPI:DATA:SIZE?` might return `BUS:B1:SPI:DATA:SIZE 8` indicating the data size for the SPI B1 bus is 8 bits per word.

BUS:B<x>:SPI:FRAMING

This command specifies the type of SPI framing. B<x> is the bus number (1–4).

- Group** Bus
- Syntax** `BUS:B<x>:SPI:FRAMING {SS|IDLEtime}`
`BUS:B<x>:SPI:FRAMING?`
- Arguments** SS specifies framing by SS (non 2-wire).
 IDLEtime specifies framing by Idle Time (2-wire).
- Examples** `BUS:B1:SPI:FRAMING SS` sets the SPI framing type to SS.
- `BUS:B1:SPI:FRAMING IDELTIME` might return `BUS:B1:SPI:FRAMING IDELTIME` indicating the SPI framing type is set to IDELTIME.

BUS:B<x>:SPI:IDLETime

This command specifies the SPI bus idle time in seconds for the specified bus. B<x> is the bus number (1–4).

- Group** Bus
- Syntax** `BUS:B<x>:SPI:IDLETime <NR3>`
`BUS:B<x>:SPI:IDLETime?`
- Arguments** NR3 is the SPI bus idle time in seconds.

Examples `BUS:B1:SPI:IDLETIME 100.0000E-9` sets the idle time to 100 ns.
`BUS:B1:SPI:IDLETIME?` might return `BUS:B1:SPI:IDLETIME 100.0000E-9` indicating the idle time is set to 100 ns.

BUS:B<x>:SPI{:SElect|:SS}:POLarity

This command specifies the SPI SS polarity for bus <x>, where x is the bus number 1-4. B<x> is the bus number (1-4).

Conditions This command requires a DPO4EMBD application module.

Group Bus

Syntax `BUS:B<x>:SPI{:SElect|:SS}:POLarity {LOW|HIGH}`
`BUS:B<x>:SPI{:SElect|:SS}:POLarity?`

Arguments LOW specifies an active low polarity.
HIGH specifies an active high polarity.

BUS:B<x>:SPI{:SElect|:SS}:SOUrce

This command specifies the SPI SS source for bus <x>, where x is the bus number 1-4. B<x> is the bus number (1-4).

Conditions This command requires a DPO4EMBD application module.

Group Bus

Syntax `BUS:B<x>:SPI{:SElect|:SS}:SOUrce {CH1|CH2|CH3|CH4|D0|D1|D2|D3|D4|D5|D6|D7|D8|D9|D10|D11|D12|D13|D14|D15}`
`BUS:B<x>:SPI{:SElect|:SS}:SOUrce?`

Arguments CH1-CH4 specifies the analog channel to use as the SPI SS source waveform.
D0-D15 specifies the digital channel to use as the SPI SS source waveform. (MSO/MDO models only.)

BUS:B<x>:STATE

This command specifies the on/off state of bus <x>, where x is the bus number 1-4 (1–4).

Group	Bus
Syntax	BUS:B<x>:STATE {<NR1> OFF ON} BUS:B<x>:STATE?
Related Commands	SElect: {BUS<x> B<x>}
Arguments	ON or <NR1> ≠ 0 turns on the bus. OFF or <NR1> = 0 turns off the bus.

BUS:B<x>:TYPE

This command specifies the bus type for <x>, where x is the bus number 1-4 (1–4). The supported bus types are dependent on the oscilloscope model and the installed application keys. With the exception of the parallel bus, all bus types require installation of an application module. (See page 2-12, *Bus Command Group*.)

NOTE. The PARallel bus is only available on MSO and MDO models.

Group	Bus
Syntax	BUS:B<x>:TYPE {I2C SPI CAN RS232C PARAllel USB LIN FLEXRay AUDio ETHERnet MIL1553B} BUS:B<x>:TYPE?
Arguments	I2C specifies the Inter-IC bus. SPI specifies the Serial Peripheral Interface bus (not available on two-channel models). CAN specifies the Controller Area Network bus. RS232C specifies the RS-232C bus. PARAllel specifies the Parallel bus. USB specifies the USB bus.

LIN specifies the LIN bus.

FLEXRay specifies the FLExRay bus.

AUDIO specifies the audio bus.

ETHERNET specifies the Ethernet bus.

MIL1553B specifies the MIL-STD-1553 bus.

BUS:B<x>:USB:BITRate

This command specifies the bit rate for the USB signal. B<x> is the bus number (1–4).

Conditions This command requires the DPO4USB application module.

Group Bus

Syntax BUS:B<x>:USB:BITRate {LOW|FULL|HIGH}
 BUS:B<x>:USB:BITRate?

Arguments LOW indicates the bit rate is 1.5 Mbps.
 FULL indicates the bit rate is 12 Mbps.
 HIGH indicates the bit rate is 480 Mbps.

Examples BUS:B1:USB:BITRATE FULL sets the bit rate to 12 Mbps.
 BUS:B1:USB:BITRATE? might return :BUS:B1:USB:BITRATE LOW, which indicates that the bit rate is 1.5 Mbps.

BUS:B<x>:USB:PRObe

This command specifies the type of probe connected to the USB signal. B<x> is the bus number (1–4).

Conditions This command requires the DPO4USB application module.

Group Bus

Syntax `BUS:B<x>:USB:PROBE {DIFFerential|SINGleended}`
`BUS:B<x>:USB:PRObe?`

Arguments `DIFFerential` indicates that the bus probe is a differential probe.
`SINGleended` indicates that the bus probe is not a differential probe.

Examples `BUS:B1:USB:PROBE DIFFERENTIAL` sets the bus probe to be a differential probe.
`BUS:B1:USB:PROBE?` might return `:BUS:B1:USB:PROBE SINGLEENDED`, which indicates that the bus probe is not a differential probe.

BUS:B<x>:USB:SOURce:DIFFerential

This command specifies the USB Data Source when using a differential probe. `B<x>` is the bus number (1–4).

Conditions This command requires the DPO4USB application module.

Group Bus

Syntax `BUS:B<x>:USB:SOURce:DIFFerential`
`{CH1|CH2|CH3|CH4|MATH|REF1|REF2|REF3|REF4}`

`BUS:B<x>:USB:SOURce:DIFFerential?`

Arguments `CH1–4` specifies to use the analog waveform channel as the data source for the USB bus. This channel should have an attached differential probe.
`MATH` specifies to use the math waveform as the data source for the USB bus.
`REF1–4` specifies to use the reference waveform channel as the data source for the USB bus

Examples `BUS:B1:USB:SOURCE:DIFFERENTIAL CH2` sets the source to channel 2. You should have a differential probe attached to channel 2 and connect it to the USB data signal.

`BUS:B1:USB:SOURCE:DIFFERENTIAL?` might return `:BUS:B1:USB:SOURCE:DIFFERENTIAL CH4` indicating that channel 4 is set to be the differential input for USB data.

BUS:B<x>:USB:SOUrce:DMINus

This command specifies the USB Data Source for D- input. If you are using single-ended probes, you need to set the sources for both the D+ and D- inputs. B<x> is the bus number (1–4).

Conditions	This command requires the DPO4USB application module.
Group	Bus
Syntax	<pre>BUS:B<x>:USB:SOUrce:DMINus {CH1 CH2 CH3 CH4 D0 D1 D2 D3 D4 D5 D6 D7 D8 D9 D10 D11 D12 D13 D14 D15} BUS:B<x>:USB:SOUrce:DMINus?</pre>
Arguments	<p>CH1–CH4 specifies the analog channel to use as the USB data source waveform for D- input.</p> <p>D0–D15 specifies the digital channel to use as the USB data source waveform for D- input. (MSO/MDO models only.)</p>
Examples	<p><code>BUS:B1:USB:SOURCE:DMINUS CH2</code> sets the D-source to channel 2.</p> <p><code>BUS:B1:USB:SOURCE:DMINUS?</code> might return <code>:BUS:B1:USB:SOURCE:DMINUS CH4</code> indicating that channel 4 is set to be the D- input for USB data.</p>

BUS:B<x>:USB:SOUrce:DPLUs

This command specifies the USB Data Source for D+ input. If you are using single-ended probes, you need to set the sources for both the D+ and D- inputs. B<x> is the bus number (1–4).

Conditions	This command requires the DPO4USB application module.
Group	Bus
Syntax	<pre>BUS:B<x>:USB:SOUrce:DPLUs {CH1 CH2 CH3 CH4 D0 D1 D2 D3 D4 D5 D6 D7 D8 D9 D10 D11 D12 D13 D14 D15} BUS:B<x>:USB:SOUrce:DPLUs?</pre>

Arguments CH1–CH4 specifies the analog channel to use as the USB data source waveform for D+ input.

D0–D15 specifies the digital channel to use as the USB data source waveform for D+ input. (MSO/MDO models only.)

Examples `BUS:B1:USB:SOURCE:DPLUS CH1` sets the D+ source to channel 1.

`BUS:B1:USB:SOURCE:DPLUS?` might return `:BUS:B1:USB:SOURCE:DPLUS CH3` indicating that channel 3 is set to be the D+ input for USB data.

BUS:LOWerthreshold:CH<x>

This command sets the lower threshold for each channel. This applies to all search and trigger types that use the channel. CH<x> is the channel number (1–4).

Group Bus

Syntax `BUS:LOWerthreshold:CH<x> {<NR3>|ECL|TTL}`
`BUS:LOWerthreshold:CH<x>?`

Arguments <NR3> is a floating point number that specifies the threshold, in volts.

ECL specifies a preset ECL high level of -1.3V.

TTL specifies a preset TTL high level of 1.4V.

Examples `BUS:LOWERTHRESHOLD:CH1 TTL` sets the CH1 lower threshold to 800mV.

`BUS:LOWERTHRESHOLD:CH1?` might return `:BUS:LOWERTHRESHOLD:CH1 -800.0000E-3` indicating the CH1 lower threshold is -800 mV.

BUS:LOWerthreshold{:MATH|:MATH1}

This command specifies the lower threshold for the math waveform. This will apply to all search and trigger types that use the math waveform.

Group Bus

Syntax `BUS:LOWerthreshold{:MATH|:MATH1} {<NR3>|ECL|TTL}`
`BUS:LOWerthreshold{:MATH|:MATH1}?`

Related Commands [BUS:UPPerthreshold{:MATH|:MATH1}](#)

Arguments <NR3> is a floating point number that specifies the lower threshold for the reference waveform, in volts.

ECL – ECL (-1.3 volts). Note that this setting is constrained, depending upon the vertical scale for the specified reference waveform.

TTL – TTL (1.4 volts). Note that this setting is constrained, depending upon the vertical scale for the specified reference waveform.

Examples `BUS:LOWerthreshold:MATH TTL` sets the lower threshold for the math waveform to 1.4 volts.

`BUS:LOWerthreshold:MATH?` might return 0.0E+0, which is the default.

BUS:LOWerthreshold:REF<x>

This command sets the lower threshold for each reference waveform. This applies to all search and trigger types that use that reference waveform.

Group Bus

Syntax `BUS:LOWerthreshold:REF<x> {<NR3>|ECL|TTL}`
`BUS:LOWerthreshold:REF<x>?`

Related Commands [BUS:UPPerthreshold:REF<x>](#)

Arguments <NR3> is a floating point number that specifies the lower threshold for the reference waveform, in volts

ECL — ECL (-1.3 volts). Note that this setting is constrained, depending upon the vertical scale for the specified reference waveform.

TTL — TTL (1.4 volts). Note that this setting is constrained, depending upon the vertical scale for the specified reference waveform.

Examples `BUS:LOWerthreshold:REF2 TTL` sets the lower threshold for reference waveform 2 to 1.4 volts. Note that this setting is constrained, depending upon the vertical scale for the specified reference waveform..

`BUS:LOWerthreshold:REF3?` might return 0.0E+0, which is the default.

BUS:THReshold:CH<x>

This command specifies the threshold for analog channel <x>, where x is the channel number (1–4). This setting applies to all trigger types that use the channel.

Conditions This command requires a serial bus analysis module on DPO models.

Group Bus

Syntax `BUS:THReshold:CH<x> {ECL|TTL|<NR3>}`
`BUS:THReshold:CH<x>?`

Arguments ECL specifies a preset ECL high level of –1.3V.
 TTL specifies a TTL preset high level of 1.4V.
 <NR3> is a floating point number that specifies the threshold level, in volts.

BUS:THReshold:D<x>

This command specifies the threshold for digital channel <x>, where x is the digital channel number (0–15). This will apply to all Search and Trigger Types that use the channel.

Group Bus

Syntax `BUS:THReshold:D<x> {<NR3>|ECL|TTL}`
`BUS:THReshold:D<x>?`

Arguments ECL specifies a preset ECL high level of -1.3V.
 TTL specifies a preset TTL high level of 1.4V.
 <NR3> is a floating point number that specifies the threshold level, in volts.

BUS:UPPerthreshold:CH<x>

Sets the upper threshold for each channel (1–4). This applies to all search and trigger types that use the channel.

Group Bus

Syntax `BUS:UPPerthreshold:CH<x> {<NR3>|ECL|TTL}`
`BUS:UPPerthreshold:CH<x>?`

Arguments `<NR3>` is a floating point number that specifies the threshold, in volts.
 ECL specifies a preset ECL high level of -1.3V.
 TTL specifies a preset TTL high level of 1.4V.

Examples `BUS:UPPERTHRESHOLD:CH1 800.0000E-3` sets the CH1 upper threshold to 800 mV.
`BUS:UPPERTHRESHOLD:CH1?` might return `:BUS:UPPERTHRESHOLD:CH1 -800.0000E-3` indicating that the CH1 upper threshold is set to -800 mV.

BUS:UPPerthreshold{:MATH|:MATH1}

This command specifies the upper threshold for the math waveform. This will apply to all search and trigger types that use the math waveform.

Group Bus

Syntax `BUS:UPPerthreshold{:MATH|:MATH1} {<NR3>|ECL|TTL}`
`BUS:UPPerthreshold{:MATH|:MATH1}?`

Related Commands [BUS:LOWerthreshold{:MATH|:MATH1}](#)

Arguments `<NR3>` is a floating point number that specifies the upper threshold for the reference waveform, in volts.
 ECL — ECL (-1.3 volts). Note that this setting is constrained, depending upon the vertical scale for the specified reference waveform.
 TTL — TTL (1.4 volts). Note that this setting is constrained, depending upon the vertical scale for the specified reference waveform.

Examples `BUS:UPPerhreshold:MATH TTL` sets the upper threshold for the math waveform to 1.4000 volts.
`BUS:UPPerhreshold:MATH?` might return `0.0E+0`, which is the default.

BUS:UPPerthreshold:REF<x>

This command sets the upper threshold for each reference waveform. This applies to all search and trigger types that use that reference waveform.

Group Bus

Syntax BUS:UPPerthreshold:REF<x> {<NR3>|ECL|TTL}
 BUS:UPPerthreshold:REF<x>?

Related Commands [BUS:LOWerthreshold:REF<x>](#)

Arguments <NR3> is a floating point number that specifies the upper threshold for the reference waveform, in volts.

ECL — ECL (-1.3 volts). Note that this setting is constrained, depending upon the vertical scale for the specified reference waveform.

TTL — TTL (1.4 volts). Note that this setting is constrained, depending upon the vertical scale for the specified reference waveform.

Examples BUS:UPPerthreshold:REF2 TTL sets the upper threshold for reference waveform 2 to 1.4000.

BUS:UPPerthreshold:REF3? might return 0.0E+0, which is the default.

BUSY? (Query Only)

Returns the status of the oscilloscope. This command allows you to synchronize the operation of the oscilloscope with your application program. (See page 3-7, *Synchronization Methods*.)

Certain oscilloscope operations can affect the BUSY? response. (See Table 3-3 on page 3-8.)

Group Status and Error

Syntax BUSY?

Related Commands [*OPC](#), [*WAI](#)

- Returns** <NR1> = 0 means the oscilloscope is not busy processing a command whose execution time is extensive.
- <NR1> = 1 means the oscilloscope is busy processing a command whose execution time is extensive. (See Table 3-3 on page 3-8.)
- Examples** BUSY? might return :BUSY 1 indicating that the oscilloscope is currently busy.

*CAL? (Query Only)

Performs an internal self-calibration and returns the oscilloscope calibration status.

NOTE. *Disconnect or otherwise remove all input signals prior to starting self-calibration. The self-calibration can take several minutes to complete.*

- Group** Calibration and Diagnostic
- Syntax** *CAL?
- Returns** <NR1> = 1 indicates the calibration did not complete successfully.
- <NR1> = 0 indicates the calibration completed without errors.
- Examples** *CAL? starts the internal signal path calibration and might return 0 to indicate that the calibration was successful.

CALibrate:FACTory:STATus? (Query Only)

Returns the factory calibration status value saved in nonvolatile memory.

- Group** Calibration and Diagnostic
- Syntax** CALibrate:FACTory:STATus?
- Examples** CAL:FAC:STAT? might return CALIBRATE:FACTORY:STATUS PASS indicating that factory calibration passed.

CALibrate:INTERNAL (No Query Form)

This command starts a signal path compensation.

NOTE. *Disconnect or otherwise remove all input signals prior to starting self-calibration. The self-calibration can take several minutes to complete.*

Group	Calibration and Diagnostic
Syntax	CALibrate:INTERNAL
Arguments	None
Examples	CALIBRATE:INTERNAL starts a serial path compensation cycle.

CALibrate:INTERNAL:START (No Query Form)

This command starts the internal signal path calibration (SPC) of the oscilloscope – exactly the same as :CALibrate:INTERNAL. First, disconnect all probes and cables from all channels. You can use the [CALibrate:INTERNAL:STATUS?](#) query to return the current status of the internal signal path calibration of the oscilloscope. This query can only be sent when internal calibration (SPC) is not running.

NOTE. *Disconnect or otherwise remove all input signals prior to starting self-calibration. The self-calibration can take several minutes to complete.*

Group	Calibration and Diagnostic
Syntax	CALibrate:INTERNAL:START
Related Commands	CALibrate:RESults:SPC?
Examples	CALIBRATE:INTERNAL:START initiates the internal signal path calibration of the oscilloscope.

CALibrate:INTERNAL:STATus? (Query Only)

Returns the current status of the oscilloscope internal signal path calibration for the last SPC operation.

NOTE. *Disconnect or otherwise remove all input signals prior to starting self-calibration. The self-calibration can take several minutes to complete.*

Group Calibration and Diagnostic

Syntax CALibrate:INTERNAL:STATus?

Related Commands *CAL?

Returns This query will return one of the following:

- INIT indicates the oscilloscope has not had internal signal path calibration run.
- PASS indicates the signal path calibration completed successfully.
- FAIL indicates the signal path calibration did not complete successfully.
- RUNNING indicates the signal path calibration is currently running.

Examples CAL:INTERN:STAT? might return :CALIBRATE:INTERNAL:STATus INIT indicating that the current status of the internal signal path calibration is that it has not been run.

CALibrate:RESuLts? (Query Only)

Returns the status of internal and factory calibrations, without performing any calibration operations. The results returned do not include the calibration status of attached probes. The CALibrate:RESuLts? query is intended to support GO/NoGO testing of the oscilloscope calibration readiness: all returned results should indicate PASS status if the oscilloscope is "fit for duty". It is quite common, however, to use uncalibrated probes (particularly when the oscilloscope inputs are connected into a test system with coaxial cables).

Group Calibration and Diagnostic

Syntax CALibrate:RESuLts?

Related Commands [*CAL?](#)

CALibrate:RESults:FACTory? (Query Only)

Returns the status of internal and factory calibration, without performing any calibration operations.

Group Calibration and Diagnostic

Syntax CALibrate:RESults:FACTory?

CALibrate:RESults:SPC? (Query Only)

Returns the status of the SPC operation. This query does not initiate a SPC.

Group Calibration and Diagnostic

Syntax CALibrate:RESults:SPC?

Related Commands [*CAL?](#)

Returns INIT indicates that SPC has never successfully completed.
PASS indicates that the last SPC operation passed.
FAIL indicates that the last SPC operation failed.
RUNNING indicates that the SPC operation is running.

Examples CALIBRATE:RESULTS:SPC? returns the results of the last SPC operation: either PASS or FAIL.

CALibrate:RF (No Query Form)

This command begins the RF calibration process. You should first disconnect all cables and probes from the RF input before using this command. The calibration process takes approximately 3 minutes. This command is identical to CALibrate:RF:START.

NOTE. *If you run the signal path calibration (SPC) commands, you don't need to run this command as well.*

NOTE. *Disconnect or otherwise remove all input signals prior to starting self-calibration. The self-calibration can take several minutes to complete.*

Conditions MDO models only.

Group Calibration and Diagnostic

Syntax CALibrate:RF

Related Commands *CAL?, CALibrate:RESults:SPC?, CALibrate:INTERnaL:START, CALibrate:RF:STATus?

CALibrate:RF:START (No Query Form)

This command is identical to CALIBRATE:RF.

NOTE. *Disconnect or otherwise remove all input signals prior to starting self-calibration. The self-calibration can take several minutes to complete.*

Conditions MDO models only.

Group Calibration and Diagnostic

Syntax CALibrate:RF:START

CALibrate:RF:STATus? (Query Only)

This query returns the status of the last RF calibration.

Conditions MDO models only.

Group Calibration and Diagnostic

Syntax CALibrate:RF:STATus?

Related Commands [CALibrate:RF:START](#)

Examples CAL:RF:STAT? might return PASS.

CH<x>? (Query Only)

Returns the vertical parameters for channel <x>, where x is the channel number (1–4).

Group Vertical

Syntax CH<x>?

CH<x>:AMPSVIAVOLTS:ENAb1e

This command specifies the state of the amps via volts feature for the specified channel. This feature supports measuring current via the voltage drop across a resistor (1–4).

Group Vertical

Syntax CH<x>:AMPSVIAVOLTS:ENAb1e {<NR1>|OFF|ON}
CH<x>:AMPSVIAVOLTS:ENAb1e?

Arguments OFF sets the amps via volts function for channel <x> to off.
ON sets the amps via volts function for channel <x> to on.
<NR1> = 0 sets the amps via volts function to off. Any other value sets the function to on.

Examples CH1:AMSVIAVOLTS:ENABLE ON turns on the amps via volts feature for channel 1.

CH<x>:AMPSVIAVOLTS:FACTor

This command specifies the amps via volts factor for the specified channel (1–4).

Group	Vertical
Syntax	CH<x>:AMPSVIAVOLTS:FACTOR <NR3> CH<x>:AMPSVIAVOLTS:FACTOR?
Arguments	<NR3> is a double-precision ASCII string that represents the amps via volts factor.
Examples	CH1:AMPSVIAVOLTS:FACTOR 15.5 sets the amps via volts factor for channel 1 to 15.5.

CH<x>:BANDwidth

This command specifies the selectable low-pass bandwidth limit filter for channel <x>, where x is the channel number (1–4).

Group	Vertical
Syntax	CH<x>:BANDwidth {TWEnty TWOfi fty FUL1 <NR3>} CH<x>:BANDwidth?
Arguments	<p>TWEnty sets the upper bandwidth limit of channel <x> to 20 MHz.</p> <p>TWOfi fty sets the upper bandwidth limit of channel <x> to 250 MHz.</p> <p>FUL1 disables any optional bandwidth limiting. The specified channel operates at its maximum attainable bandwidth.</p> <p><NR3> is a double-precision ASCII string. The oscilloscope rounds this value to an available bandwidth using geometric rounding, and then uses this value to set the upper bandwidth limit.</p>

NOTE. Other values may be possible depending on the attached probes.

Examples	CH1:BANDWIDTH TWENTY sets the bandwidth of channel 1 to 20 MHz.
-----------------	---

CH<x>:COUPLing

This command specifies the input attenuator coupling setting for channel <x>, where x is the channel number (1–4).

Group	Vertical
Syntax	CH<x>:COUPLing {AC DC DCREJECT} CH<x>:COUPLing?
Arguments	AC sets channel <x> to AC coupling. DC sets channel <x> to DC coupling. DCREJECT sets channel <x> to DC Reject coupling when a probe that supports DC Reject coupling is attached. Attempting to set the coupling to DCREJECT for a channel that has no probe attached or a probe that does not support DCREJECT coupling attached results in a settings conflict error event and the coupling remains unchanged.
Examples	CH2:COUPLING AC sets channel 2 to AC coupling. CH3:COUPLing? might return :CH3:COUPLing DC indicating that channel 3 is set to DC coupling.

CH<x>:DESKew

This command specifies the deskew time for channel <x>, where x is the channel number (1–4). You can adjust the deskew time to add an independent, channel-based delay time to the delay (set by the horizontal position control and common to all channels) from the common trigger point to first sample taken for each channel. This lets you compensate individual channels for different delays introduced by their individual input hook ups.

Group	Vertical
Syntax	CH<x>:DESKew <NR3> CH<x>:DESKew?
Arguments	<NR3> is a floating point number that specifies the deskew time for channel <x>, ranging from -100 ns to +100 ns with a resolution of 1 ps.
Examples	CH4:DESKew 5.0E-9 sets the deskew time for channel 4 to 5 ns. CH2:DESKew? might return :CH2:DESKew 2.0000E-09 indicating that the deskew time for channel 2 is set to 2 ns.

CH<x>:INVert

This command specifies the invert function for channel <x>, where is the channel number (1–4) . When on, the invert function inverts the waveform for the specified channel.

NOTE. *This command inverts the waveform for display purposes only. The oscilloscope does not use an inverted waveform for triggers or trigger logic inputs.*

Group	Vertical
Syntax	CH<x>:INVert {ON OFF} CH<x>:INVert?
Arguments	OFF sets the invert function for channel <x> to off. ON sets the invert function for channel <x> to on.
Examples	CH4:INVert ON inverts the waveform on channel 4. CH2:INVert? might return :CH2:INVERT 0 indicating that channel 2 is not inverted.

CH<x>:LABel

This command specifies the waveform label for channel <x>, where x is the channel number (1–4).

Group	Vertical
Syntax	CH<x>:LABel <Qstring> CH<x>:LABel?
Arguments	<Qstring> is an alphanumeric string of text, enclosed in quotes, that contains the text label information for the channel <x> waveform. The text string is limited to 30 characters.

CH<x>:OFFSet

This command specifies the vertical offset for channel <x>, where x is the channel number (1–4).

This command offsets the vertical acquisition window (moves the level at the vertical center of the acquisition window) for the specified channel. Visualize offset as scrolling the acquisition window towards the top of a large signal for increased offset values, and scrolling towards the bottom for decreased offset values. The resolution of the vertical window sets the offset increment for this control.

Offset adjusts only the vertical center of the acquisition window for channel waveforms to help determine what data is acquired. The oscilloscope always displays the input signal minus the offset value.

The channel offset range depends on the vertical scale factor.

Table 2-44: Channel Offset Range

V/Div Setting	Offset range	
	1 M Ω Input	50 Ω Input
1 mV/div — 50 mV/div	± 1 V	± 1 V
50.5 mV/div — 99.5 mV/div	± 0.5 V	± 0.5 V
100 mV/div — 500 mV/div	± 10 V	± 5 V
505 mV/div — 995 mV/div	± 5 V	± 5 V
1 V/div — 5 V/div 1	± 100 V	± 5 V
5.05 V/div — 10 V/div 1	± 50 V	N/A

¹ For 50 Ω input, 1 V/div is the maximum setting.

NOTE. The above table describes oscilloscope behavior only when no probe is attached, and when the external attenuation factor is 1.0.

Group Vertical

Syntax CH<x>:OFFSet <NR3>
CH<x>:OFFSet?

Related Commands [CH<x>:POSition](#)

Arguments <NR3> is a floating point number that specifies the offset value for the specified channel <x>.

Examples CH3:OFFSet 2.0E-3 sets the offset for channel 3 to 2 mV.
 CH4:OFFSet? might return :CH4:OFFSET 1.0000E-03 indicating that the offset for channel 4 is set to 1 mV.

CH<x>:POSition

This command specifies the vertical position of channel <x>, where x is the channel number (1–4). The position value is applied to the signal before it is digitized.

Increasing the position value of a waveform causes the waveform to move up. Decreasing the position value causes the waveform to move down. The position value determines the vertical graticule coordinate at which input signal values, minus the present offset setting for that channel, are displayed. For example, if the position for Channel 3 is set to 2.0 and the offset is set to 3.0, then input signals equal to 3.0 units are displayed 2.0 divisions above the center of the screen (at 1 V/div).

Group Vertical

Syntax CH<x>:POSition <NR3>
 CH<x>:POSition?

Related Commands [CH<x>:OFFSet](#), [REF<x>:VERTical:POSition](#), [MATH\[1\]:VERTical:POSition](#)

Arguments <NR3> is a floating point number that specifies the position value for channel <x>, in divisions, from the center graticule. The range is 8 to -8 divisions.

Examples CH2:POSition 1.3 positions the Channel 2 input signal 1.3 divisions above the center graticule.
 CH1:POSition? might return :CH1:POSITION -1.3000 indicating that the current position of Channel 1 is 1.3 divisions below the center graticule.

CH<x>:PRObe? (Query Only)

Returns all information concerning the probe attached to channel <x>, where x is the channel number.

Group Vertical

Syntax CH<x>:PRObe?

CH<x>:PRObe:AUTOZero (No Query Form)

This command executes the attached probe's Auto Zero function, for probes that support this feature. See your probe documentation for more details.

Group Vertical

Syntax CH<x>:PRObe:AUTOZero EXECute

Examples EXECute performs the AutoZero function in the probe.

CH<x>:PRObe:CALibrate (No Query Form)

This command executes a calibration or initialization for the probe attached to channel 1–4, if the probe is calibratable. To determine whether the probe is calibratable, use [CH<x>:PRObe:CALibrate:CALIBRATABLE?](#). The channel is specified by x, which can range from 1 through 4.

Group Vertical

Syntax CH<x>:PRObe:CALibrate {EXECute|INITialize}

Related Commands [CH<x>:PRObe:CALibrate:CALIBRATABLE?](#)

[CH<x>:PRObe:CALibrate:STATE?](#)

Arguments EXECute — executes a calibration for the attached probe.

INITialize — initializes the attached probe.

Examples CH2:PRObe:CALibrate execute executes a calibration for the attached probe.

0

CH<x>:PRObe:CALibrate:CALIBRATABLE? (Query Only)

This query returns the state of the probe attached to channel 1–4, either 0 if the probe is not calibratable, or 1 if the probe is calibratable. The channel is specified by x, which can range from 1 through 4.

Group Vertical

Syntax CH<x>:PRObe:CALibrate:CALIBRATABLE?

Related Commands [CH<x>:PRObe:CALibrate](#)
[CH<x>:PRObe:CALibrate:STATE?](#)

Examples CH2:PRObe:CALibrate:CALIBRATABLE? might return 0, indicating that the probe attached to channel 2 is not calibratable.

CH<x>:PRObe:CALibrate:STATE? (Query Only)

This query returns the calibration state of the probe connected to the specified channel. If the probe is calibratable, the state could be either DEFAULT (not calibrated), COMPensated, or RUNNING (calibration is proceeding). If the probe is not calibratable, DEFAULT will be returned. The channel is specified by x, which can range from 1 through 4.

Group Vertical

Syntax CH<x>:PRObe:CALibrate:STATE?

Related Commands [CH<x>:PRObe:CALibrate](#)
[CH<x>:PRObe:CALibrate:CALIBRATABLE?](#)

Returns DEFAULT — not calibrated.
COMPensated — last calibration passed.
RUNNING — probe calibration is in progress.

Examples CH2:PRObe:CALibrate:STATE? might return DEFAULT, indicating that the probe is not calibrated.

CH<x>:PRObe:COMMAND (No Query Form)

Sets the state of the probe control specified with the first argument to the state specified with the second argument. The commands and states are unique to the attached probe. Only certain VPI probes support this command. See the specific probe documentation for how to set these string arguments.

The command form takes 2 string arguments: the first is the probe command enumeration and the second is the data value.

The query form requires a single quoted string argument to specify the probe command enumeration for which the response data is requested.

Group Vertical

Syntax CH<x>:PRObe:COMMAND <QString>, <QString>

Arguments <QString> are quoted strings specifying the probe command and value to set in the probe attached to the specified channel.

Examples CH1:PROBE:COMMAND "MODE", "4-4V1MHZ" sets a Tektronix VPI-DPG probe to the 4-4V1MHz mode.

CH1:PROBE:COMMAND "OUTPUT", "ON" turns the output of a Tektronix VPI-DPG probe on.

CH1:PROBE:COMMAND?"MODE" might return CH1:PROBE:COMMAND "MODE", "4-4V1MHZ".

CH<x>:PRObe:DEGAUss (No Query Form)

This command starts a degauss auto-zero cycle on a TekVPI current probe attached to the input channel specified by <x>, where x is the channel number.

Group Vertical

Syntax CH<x>:PRObe:DEGAUss EXECute

Arguments EXECute initiates the degauss operation.

CH<x>:PRObe:DEGAUss:STATE? (Query Only)

This command returns the state of the probe degauss for the channel specified by <x>, where x is the channel number.

NOTE. *This command will return PASSED for probes that do not support degauss operations.*

Group	Vertical
Syntax	CH<x> : PRObe : DEGAUss : STATE?
Returns	<p>NEEDED indicates the probe should be degaussed before taking measurements.</p> <p>RECOMMENDED indicates the measurement accuracy might be improved by degaussing the probe.</p> <p>PASSED indicates the probe is degaussed.</p> <p>FAILED indicates the degauss operation failed.</p> <p>RUNNING indicates the probe degauss operation is currently in progress.</p>

CH<x>:PRObe:FORCEDRange

This command specifies the range of a TekVPI probe attached to the channel specified by <x>, where x is the channel number.

NOTE. *This command will return PASSED for probes that do not support degauss operations.*

Group	Vertical
Syntax	<p>CH<x> : PRObe : FORCEDRange <NR3></p> <p>CH<x> : PRObe : FORCEDRange?</p>
Arguments	<NR3> is a floating point number that specifies the range, which is probe specific.
Returns	The query form of this command returns 0.0 for probes that do not support forced ranges.

CH<x>:PRObe:GAIN

This command specifies the gain factor for the probe attached to the channel specified by <x>, where x is the channel number. The "gain" of a probe is the output divided by the input transfer ratio. For example, a common 10x probe has a gain of 1V.

Group Vertical

Syntax CH<x>:PRObe:GAIN <NR3>
CH<x>:PRObe:GAIN?

Related Commands [CH<x>:SCAlE](#)

Arguments <NR3> is a floating point number that specifies the probe gain. Allowed values depend on the specific probe.

Examples CH2:PROBE:GAIN? might return :CH2:PROBE:GAIN 0.1000E+00 indicating that the attached 10x probe delivers 1 V to the channel 2 BNC for every 10 V applied to the probe input.

CH<x>:PRObe:ID? (Query Only)

Returns the type and serial number of the probe attached to channel <x>, where x is the channel number.

Group Vertical

Syntax CH<x>:PRObe:ID?

Examples CH2:PROBE:ID? might return :CH2:PROBE:ID:TYPE "10X";SERNUMBER "N/A" indicating that a passive 10x probe of unknown serial number is attached to channel 2.

CH<x>:PRObe:ID:SERnumber? (Query Only)

Returns the serial number of the probe attached to channel <x>, where x is the channel number.

NOTE. For Level 0 and 1 probes, the serial number will be "".

Group	Vertical
Syntax	CH<x>:PRObe:ID:SERnumber?
Examples	CH1:PROBE:ID:SERNUMBER? might return :CH1:PROBE:ID:SERNUMBER "B010289" indicating that the serial number of the probe attached to channel 1 is B010289.

CH<x>:PRObe:ID:TYPE? (Query Only)

Returns the type of probe attached to the channel specified by <x>, where x is the channel number. Level 2 (or higher) probes supply their exact product nomenclature; for Level 0 or 1 probes, a generic "No Probe Detected" message is returned.

NOTE. Use the command *CH<x>:YUNits* to query the probe type – either "Voltage" or "Current".

Group	Vertical
Syntax	CH<x>:PRObe:ID:TYPE?
Examples	CH1:PROBE:ID:TYPE? might return :CH1:PROBE:ID:TYPE "P6203" indicating that P6203-type probe is attached to channel 1.

CH<x>:PRObe:MODEL

This command specifies the probe model for the specified channel. If a coded probe is attached or the specified model is not recognized, an error event is set. The argument must be a supported probe.

To find the list of supported probes, push the front-panel channel **1**, **2**, **3**, or **4** button, then push the lower-menu **More** item as many times as needed to select **Deskew**. Push **Probe Model** on the side menu and turn knob **a** to help you read from the resulting list. Alternatively, you can push **Test > Analysis > Deskew > Configure > Probe Model** and read from the resulting list.

Group Vertical

Syntax CH<x>:PRObe:MODEl <String>
CH<x>:PRObe:MODEl?

CH<x>:PRObe:PROPDELay

This command specifies the propagation delay for the probe connected to the specified channel.

Group Vertical

Syntax CH<x>:PRObe:PROPDELay <NR3>
CH<x>:PRObe:PROPDELay?

Arguments <NR3> is a floating point number that specifies the propagation time delay for the connected probe.

Examples CH1:PROBE:PROPDELAY 100E-12 sets the CH1 propagation delay to 100 ps.
CH1:PROBE:PROPDELAY? might return :CH1:PROBE:PROPDELAY 1.1E-9 indicating that the CH1 propagation delay is set to 1.1 ns.

CH<x>:PRObe:RECDESkew? (Query Only)

Returns the recommended deskew for the probe connected to the specified channel.

Group Vertical

Syntax CH<x>:PRObe:RECDESkew?

CH<x>:PRObe:RESistance? (Query Only)

Returns the resistance factor of the probe attached to channel <x>, where x is the channel number.

Group Vertical

Syntax CH<x>:PRObe:RESistance?

Examples CH2:PRObe:RESistance? might return :CH2:PROBE:RESISTANCE 1.0000E+6 indicating that the input resistance of the probe attached to Channel 2 is 1 MΩ.

NOTE. This query will return 0.0 if no probe is attached or the attached probe does not report the input resistance.

CH<x>:PRObe:SIGnal

This command specifies the input bypass setting of a TekVPI probe attached to channel <x>, where x is the channel number. The probe must support input bypass, for example TCP0001. This command is ignored if sent to an unsupported probe.

Group Vertical

Syntax CH<x>:PRObe:SIGna] {BYPass|PASS}
CH<x>:PRObe:SIGna]?

Arguments BYPass sets the probe to Bypass mode.
PASS sets the probe to Pass mode.

CH<x>:PRObe:UNIts? (Query Only)

Returns a string describing the units of measure for the probe attached to channel <x>, where x is the channel number.

NOTE. Use the command *CH<x>:YUNits* to set the probe type to "Voltage" or "Current".

Group Vertical

Syntax CH<x>:PRObe:UNIts?

Examples CH4:PROBE:UNITS? might return :CH4:PROBE:UNITS "V" indicating that the units of measure for the probe attached to channel 4 are volts.

CH<x>:SCALE

This command specifies the vertical scale for the channel specified by <x>, where x is the channel number. This setting controls the vertical size of the acquisition window as well as the display scale. The range and resolution of scale values depends on the probe attached and any other external factors you have specified.

For a signal with constant amplitude, increasing the scale causes the waveform to be displayed smaller. Decreasing the scale causes the waveform to be displayed larger.

Group Vertical

Syntax CH<x>:SCALE <NR3>
CH<x>:SCALE?

Related Commands [CH<x>:OFFSet](#), [CH<x>:POSition](#), [REF<x>:VERTical:SCALE](#), [MATH\[1\]:VERTical:SCALE](#)

Arguments <NR3> is a floating point number that specifies the vertical channel scale in units-per-division. The value entered here is truncated to three significant digits.

Examples CH4:SCALE 100E-03 sets the channel 4 scale to 100 mV per division.
CH2:SCALE? might return :CH2:SCALE 1.0000 indicating that the current scale setting of channel 2 is 1 V per division.

CH<x>:TERmination

Sets the connected-disconnected status of a 50 Ω resistor, which may be connected between the specified channel's coupled input and oscilloscope ground. The channel is specified by <x>. There is also a corresponding query that requests the termination parameter and translates this enumeration into one of the two float values.

Group Vertical

Syntax CH<x>:TERmination {FIFTy|MEG|<NR3>}
CH<x>:TERmination?

Arguments FIFTy sets the channel <x> input resistance to 50 Ω .
 MEG sets the channel <x> input resistance to 1 M Ω .
 <NR3> is a floating point number that specifies the channel <x> input resistance numerically.

Examples CH4:TERMINATION 50.0E+0 establishes 50 Ω impedance on channel 1.
 CH2:TERMINATION? might return :CH2:TERMINATION 50.0E+0 indicating that channel 2 is set to 50 Ω impedance.

CH<x>:YUNits

This command specifies the vertical units for the channel specified by <x>, where x is the channel number. String arguments are case insensitive and any unsupported units will generate an error.

Supported units are:

%, /Hz, A, A/A, A/V, A/W, A/dB, A/s, AA, AW, AdB, As, B, Hz, IRE, S/s, V, V/A, V/V, V/W, V/dB, V/s, VV, VW, VdB, volts, Vs, W, W/A, W/V, W/W, W/dB, W/s, WA, WV, WW, WdB, Ws, dB, dB/A, dB/V, dB/W, dB/dB, dBA, dBV, dBW, dBdB, day, degrees, div, hr, min, ohms, percent, s

The vertical units affect the “Probe Type” that is shown in the “Probe Setup” menu:

- Setting CH<x>:YUNits to “v” causes the probe type to be displayed as “Voltage”.
- When CH1:AMSVIAVOLTS:ENABle is set to OFF, setting CH<x>:YUNits to “A” causes the probe type to be displayed as “Current”.
- Setting CH<x>:YUNits to anything else causes the probe type not to be displayed (neither “Voltage” nor “Current” are highlighted).

Group Vertical

Syntax CH<x>:YUNits <QString>
 CH<x>:YUNits?

Arguments QString is a string of text surrounded by quotes, specifying the supported units.

Examples CH4:YUN “v” causes the probe type to be displayed as “Voltage”.

CLEARMenu (No Query Form)

Clears the current menu from the display. This command is equivalent to pressing the front panel Menu off.

Group Miscellaneous

Syntax CLEARMenu

*CLS (No Query Form)

Clears the following:

- Event Queue
- Standard Event Status Register
- Status Byte Register (except the MAV bit)

If the *CLS command immediately follows an <EOI>, the Output Queue and MAV bit (Status Byte Register bit 4) are also cleared. The MAV bit indicates that information is in the output queue. The device clear (DCL) control message will clear the output queue and thus MAV. *CLS does not clear the output queue or MAV.

*CLS can suppress a Service Request that is to be generated by an *OPC. This will happen if a single sequence acquisition operation is still being processed when the *CLS command is executed.

Group Status and Error

Syntax *CLS

Related Commands [DESE](#), [*ESE](#), [*ESR?](#), [EVENT?](#), [EVMsg?](#), [*SRE](#), [*STB?](#)

Examples *CLS clears the oscilloscope status data structures.

CONFIGuration:ADVMATH? (Query Only)

This query returns a boolean value to indicate whether the advanced math feature is present.

Group Configuration

Syntax CONFIGuration:ADVMATH?

Related Commands [MATH\[1\]:TYPE](#) ADVanced

Returns <NR1> = 1 if the advanced math feature is present.
<NR1> = 0 if the advanced math feature is not present.

CONFIGuration:ANALOG:GNDCPLG? (Query Only)

This query returns a boolean value to indicate whether the ground coupling feature for analog channels is present. As this feature is not supported on MSO/DPO4000B or MDO4000 models, this query always returns 0.

Group Configuration

Syntax CONFIGuration:ANALOG:GNDCPLG?

Related Commands (See page 2-83, *Vertical Command Group*.)

Returns 0

CONFIGuration:ANALOG:MAXBANDWidth? (Query Only)

This query returns the maximum bandwidth for analog channels.

Group Configuration

Syntax CONFIGuration:ANALOG:MAXBANDWidth?

Related Commands (See page 2-25, *Horizontal Command Group*.)

Returns <NR3>, which is a floating point number that represents the maximum bandwidth, in Hertz, for the analog channels.

CONFIGuration:ANALog:MAXSAMPLERate? (Query Only)

This query returns the maximum sample rate for analog channels.

Group Configuration

Syntax CONFIGuration:ANALog:MAXSAMPLERate?

Related Commands (See page 2-25, *Horizontal Command Group*.)

Returns <NR3>, which is a floating point number that represents the maximum sample rate, in samples per second, for the analog channels.

CONFIGuration:ANALog:NUMCHANnels? (Query Only)

This query returns the number of analog channels.

Group Configuration

Syntax CONFIGuration:ANALog:NUMCHANnels?

Returns <NR1>

CONFIGuration:ANALog:RECLENS? (Query Only)

This query returns a comma-separated list of supported record lengths for the analog channels.

Group Configuration

Syntax CONFIGuration:ANALog:RECLENS?

Related Commands (See page 2-25, *Horizontal Command Group*.)

Returns List of <NR1> values.

CONFIGuration:ANALog:VERTINVert? (Query Only)

This query returns a boolean value to indicate whether the vertical invert feature for analog channels is present.

Group Configuration

Syntax CONFIGuration:ANALog:VERTINVert?

Related Commands (See page 2-83, *Vertical Command Group*.)

Returns <NR1> = 1 if the vertical invert feature is present.
<NR1> = 0 if the vertical invert feature is not present.

CONFIGuration:APPLications:LIMITMask? (Query Only)

This query returns a boolean value to indicate whether the optional mask/limit test feature is present. (Enabling this feature requires installation of a DPO4LMT application module.)

Group Configuration

Syntax CONFIGuration:APPLications:LIMITMask?

Related Commands (See page 2-26, *Mask Command Group*.)

Returns <NR1> = 1 if the mask/limit test feature is present.
<NR1> = 0 if the mask/limit test feature is not present.

CONFIGuration:APPLications:POWer? (Query Only)

This query returns a boolean value to indicate whether the optional power application feature is present. (Enabling this feature requires installation of a DPO4PWR application module.)

Group Configuration

Syntax CONFIGuration:APPLications:POWer?

Related Commands (See page 2-36, *Power Command Group*.)

Returns <NR1> = 1 if the power application feature is present.
<NR1> = 0 if the power application feature is not present.

CONFIGuration:AUXIN? (Query Only)

This query returns a boolean value to indicate whether the instrument has an auxiliary input.

Group Configuration

Syntax CONFIGuration:AUXIN?

Related Commands (See page 2-83, *Vertical Command Group*.)

Returns <NR1> = 1 if the instrument has an auxiliary input.
<NR1> = 0 if the instrument does not have an auxiliary input.

CONFIGuration:BUSWAVEFORMS:AUDIO? (Query Only)

This query returns a boolean value to indicate whether the optional audio bus triggering and analysis feature is present. (Enabling this feature requires installation of a DPO4AUDIO application module.)

Group Configuration

Syntax CONFIGuration:BUSWAVEFORMS:AUDIO?

Related Commands (See page 2-12, *Bus Command Group*.)
(See page 2-69, *Trigger Command Group*.)
(See page 2-55, *Search Command Group*.)

Returns <NR1> = 1 if the audio bus feature is present.

<NR1> = 0 if the audio bus feature is not present.

CONFIGuration:BUSWAVEFORMS:CAN? (Query Only)

This query returns a boolean value to indicate whether the optional CAN bus triggering and analysis feature is present. (Enabling this feature requires installation of a DPO4AUTO application module.)

Group Configuration

Syntax CONFIGuration:BUSWAVEFORMS:CAN?

Related Commands (See page 2-12, *Bus Command Group*.)
(See page 2-69, *Trigger Command Group*.)
(See page 2-55, *Search Command Group*.)

Returns <NR1> = 1 if the CAN bus feature is present.
<NR1> = 0 if the CAN bus feature is not present.

CONFIGuration:BUSWAVEFORMS:ETHERNET? (Query Only)

This query returns a boolean value to indicate whether the optional Ethernet triggering and analysis feature is present. (Enabling this feature requires installation of a DPO4ENET application module.)

Group Configuration

Syntax CONFIGuration:BUSWAVEFORMS:ETHERNET?

Related Commands (See page 2-12, *Bus Command Group*.)
(See page 2-69, *Trigger Command Group*.)
(See page 2-55, *Search Command Group*.)

Returns <NR1> = 1 if the Ethernet feature is present.
<NR1> = 0 if the Ethernet feature is not present.

CONFIGuration:BUSWAVEFORMS:FLEXRAY? (Query Only)

This query returns a boolean value to indicate whether the optional FlexRay bus triggering and analysis feature is present. (Enabling this feature requires installation of a DPO4AUTOMAX application module.)

Conditions This command requires a DPO4AUTOMAX application module.

Group Configuration

Syntax CONFIGuration:BUSWAVEFORMS:FLEXRAY?

Related Commands (See page 2-12, *Bus Command Group*.)
(See page 2-69, *Trigger Command Group*.)
(See page 2-55, *Search Command Group*.)

Returns <NR1> = 1 if the FlexRay bus feature is present.
<NR1> = 0 if the FlexRay bus feature is not present.

CONFIGuration:BUSWAVEFORMS:I2C? (Query Only)

This query returns a boolean value to indicate whether the optional I²C bus triggering and analysis feature is present. (Enabling this feature requires installation of a DPO4EMBD application module.)

Group Configuration

Syntax CONFIGuration:BUSWAVEFORMS:I2C?

Related Commands (See page 2-12, *Bus Command Group*.)
(See page 2-69, *Trigger Command Group*.)
(See page 2-55, *Search Command Group*.)

Returns <NR1> = 1 if the I²C bus feature is present.
<NR1> = 0 if the I²C bus feature is not present.

CONFIGuration:BUSWAVEFORMS:LIN? (Query Only)

This query returns a boolean value to indicate whether the optional LIN bus triggering and analysis feature is present. (Enabling this feature requires installation of a DPO4AUTO application module.)

Group Configuration

Syntax CONFIGuration:BUSWAVEFORMS:LIN?

Related Commands (See page 2-12, *Bus Command Group*.)
(See page 2-69, *Trigger Command Group*.)
(See page 2-55, *Search Command Group*.)

Returns <NR1> = 1 if the LIN bus feature is present.
<NR1> = 0 if the LIN bus feature is not present.

CONFIGuration:BUSWAVEFORMS:MIL1553B? (Query Only)

This query returns a boolean value to indicate whether the optional MIL-STD-1553 bus triggering and analysis feature is present. (Enabling this feature requires installation of a DPO4AERO application module.)

Group Configuration

Syntax CONFIGuration:BUSWAVEFORMS:MIL1553B?

Related Commands (See page 2-12, *Bus Command Group*.)
(See page 2-69, *Trigger Command Group*.)
(See page 2-55, *Search Command Group*.)

Returns <NR1> = 1 if the MIL-STD-1553 bus feature is present.
<NR1> = 0 if the MIL-STD-1553 bus feature is not present.

CONFIGuration:BUSWAVEFORMS:NUMBUS? (Query Only)

This query returns the number of bus waveforms.

Group	Configuration
Syntax	CONFIGuration:BUSWAVEFORMS:NUMBUS?
Returns	<NR1>

CONFIGuration:BUSWAVEFORMS:PARALLEL? (Query Only)

This query returns a boolean value to indicate whether the parallel bus triggering and analysis feature is present. (This feature is only available for the MSO4000B and MDO4000 Series oscilloscopes. Unlike other bus features, the parallel bus feature does not require an application module.)

Group	Configuration
Syntax	CONFIGuration:BUSWAVEFORMS:PARALLEL?
Related Commands	(See page 2-12, <i>Bus Command Group</i> .) (See page 2-69, <i>Trigger Command Group</i> .) (See page 2-55, <i>Search Command Group</i> .)
Returns	<NR1> = 1 if the parallel bus feature is present. <NR1> = 0 if the parallel bus feature is not present.

CONFIGuration:BUSWAVEFORMS:RS232C? (Query Only)

This query returns a boolean value to indicate whether the optional RS232 bus triggering and analysis feature is present. (Enabling this feature requires installation of a DPO4COMP application module.)

Group	Configuration
Syntax	CONFIGuration:BUSWAVEFORMS:RS232C?

Related Commands (See page 2-12, *Bus Command Group*.)
(See page 2-69, *Trigger Command Group*.)
(See page 2-55, *Search Command Group*.)

Returns <NR1> = 1 if the RS232 bus feature is present.
<NR1> = 0 if the RS232 bus feature is not present.

CONFIGuration:BUSWAVEFORMS:SPI? (Query Only)

This query returns a boolean value to indicate whether the optional SPI bus triggering and analysis feature is present. (Enabling this feature requires installation of a DPO4EMBD application module.)

Group Configuration

Syntax CONFIGuration:BUSWAVEFORMS:SPI?

Related Commands (See page 2-12, *Bus Command Group*.)
(See page 2-69, *Trigger Command Group*.)
(See page 2-55, *Search Command Group*.)

Returns <NR1> = 1 if the SPI bus feature is present.
<NR1> = 0 if the SPI bus feature is not present.

CONFIGuration:BUSWAVEFORMS:USB? (Query Only)

This query returns a boolean value to indicate whether the USB bus triggering and analysis feature is present. (Enabling this feature requires installation of a DPO4USB application module.)

Group Configuration

Syntax CONFIGuration:BUSWAVEFORMS:USB?

Related Commands (See page 2-12, *Bus Command Group*.)

(See page 2-69, *Trigger Command Group*.)

(See page 2-55, *Search Command Group*.)

Returns <NR1> = 1 if the USB bus feature is present.
<NR1> = 0 if the USB bus feature is not present.

CONFIGuration:BUSWAVEFORMS:USB:HS? (Query Only)

This query returns a boolean value to indicate whether the high-speed USB bus triggering and analysis feature is present.

Depending upon the bandwidth of the instrument, USB bus triggering and analysis features may be limited to USB low-speed or full-speed. If the instrument bandwidth is sufficient, USB high-speed (HS) triggering and analysis is supported with the DPO4USB application module.

Group Configuration

Syntax CONFIGuration:BUSWAVEFORMS:USB:HS?

Related Commands (See page 2-12, *Bus Command Group*.)
(See page 2-69, *Trigger Command Group*.)
(See page 2-55, *Search Command Group*.)

Returns <NR1> = 1 if the high-speed USB bus feature is present.
<NR1> = 0 if the high-speed USB bus feature is not present.

CONFIGuration:DIGITAL:MAGNIVU? (Query Only)

This query returns a boolean value to indicate whether the instrument supports the MagniVu feature for digital channels. If there are no digital channels, the value returned is 0.

Group Configuration

Syntax CONFIGuration:DIGITAL:MAGNIVU?

Related Commands (See page 2-25, *Horizontal Command Group*.)

Returns <NR1> = 1 if MagniVu is present.
<NR1> = 0 if MagniVu is not present.

CONFIGuration:DIGITAL:MAXSAMPLERate? (Query Only)

This query returns the maximum sample rate for digital channels, in samples per second. If there are no digital channels, the value returned is 0.

Group Configuration

Syntax CONFIGuration:DIGITAL:MAXSAMPLERate?

Related Commands (See page 2-25, *Horizontal Command Group*.)

Returns <NR3>, which is a floating point number.

CONFIGuration:DIGITAL:NUMCHANnels? (Query Only)

This query returns the number of digital channels.

Group Configuration

Syntax CONFIGuration:DIGITAL:NUMCHANnels?

Returns <NR1>

CONFIGuration:EXTVIDEO? (Query Only)

This query returns a boolean value to indicate whether the optional extended video trigger features are present. (Enabling this feature requires installation of a DPO4VID application module.)

Group Configuration

Syntax CONFIGuration:EXTVIDEO?

Related Commands (See page 2-69, *Trigger Command Group*.)

Returns <NR1> = 1 if the extended video trigger features are present.
<NR1> = 0 if the extended video trigger features are not present.

CONFIGuration:HISTOGRAM? (Query Only)

This query returns a boolean value to indicate whether the waveform histogram feature is present. When this feature is present, the :HIStogram commands are available.

Group Configuration

Syntax CONFIGuration:HISTOGRAM?

Related Commands (See page 2-24, *Histogram Command Group*.)

Returns <NR1> = 1 if the histogram feature is present.
<NR1> = 0 if the histogram feature is not present.

CONFIGuration:NETWORKDRIVES? (Query Only)

This query returns a boolean value to indicate whether network drives are supported.

Group Configuration

Syntax CONFIGuration:NETWORKDRIVES?

Related Commands (See page 2-23, *File System Command Group*.)

Returns <NR1> = 1 if network drives are supported.
<NR1> = 0 if network drives are not supported.

CONFIGuration:NUMMEAS? (Query Only)

This query returns the number of periodic measurements.

Group Configuration

Syntax CONFIGuration:NUMMEAS?

Related Commands (See page 2-31, *Measurement Command Group*.)

Returns <NR1>

CONFIGuration:REFS:NUMREFS? (Query Only)

This query returns the number of reference waveforms.

Group Configuration

Syntax CONFIGuration:REFS:NUMREFS?

Related Commands (See page 2-83, *Vertical Command Group*.)

Returns <NR1>

CONFIGuration:RF:ADVTRIG? (Query Only)

This query returns a boolean value to indicate whether the advanced RF trigger and analysis feature is present. (Enabling this feature requires an MDO4000 Series oscilloscope and installation of a MDO4TRIG application module.)

Group Configuration

Syntax CONFIGuration:RF:ADVTRIG?

Related Commands (See page 2-42, *RF Command Group* .)

Returns <NR1> = 1 if the advanced RF feature is present.
<NR1> = 0 if the advanced RF feature is not present.

CONFIGuration:RF:MAXBANDWidth? (Query Only)

This query returns the maximum bandwidth, in Hertz, for RF channels. If no RF channels are present, the query returns 0. (Enabling this feature requires an MDO4000 Series oscilloscope and installation of a MDO4TRIG application module.)

Group Configuration

Syntax CONFIGuration:RF:MAXBANDwidth?

Related Commands (See page 2-42, *RF Command Group* .)

Returns <NR3>, which is a floating point number that represents the maximum RF bandwidth, in Hertz.

CONFIGuration:RF:NUMCHANnels? (Query Only)

This query returns the number of RF channels present. If no RF channels are present, the query returns 0. (Enabling this feature requires an MDO4000 Series oscilloscope and installation of a MDO4TRIG application module.)

Group Configuration

Syntax CONFIGuration:RF:NUMCHANnels?

Related Commands (See page 2-42, *RF Command Group* .)

Returns <NR1>

CONFIGuration:ROSC? (Query Only)

This query returns a boolean value to indicate whether the instrument has an external reference oscillator (ROSC) input.

Group	Configuration
Syntax	CONFIGuration:ROSC?
Returns	<NR1> = 1 if a ROSC input is present. <NR1> = 0 if a ROSC input is not present.

CURSor?

Returns all of the current cursor settings.

Group	Cursor
Syntax	CURSor?
Examples	CURSOR? might return the following as the current cursor settings: :CURSOR:FUNCTION SCREEN;HBARS:POSITION1 0.0000;POSITION2 0.0000;UNITS BASE;;:CURSOR:MODE INDEPENDENT;VBARS:POSITION1 -19.0006E-6;POSITION2 -18.9994E-6;UNITS SECONDS

CURSor:DDT? (Query Only)

Returns the cursor deltaY/deltaT (dY/dT) readout.

Conditions This command requires a DPO4PWR application module.

Group	Cursor
Syntax	CURSor:DDT?
Examples	CURSOR:DDT? might return :CURSOR:DDT -166.6670 indicating that the cursor dV/dt read out is -166.6670

CURSor:FUNcTion

This command selects the cursor mode. In Waveform mode, the cursors are attached to the selected waveform; in Screen mode, cursors are attached to the display area .

Group Cursor

Syntax CURSor:FUNcTion {SCREEN|WAVEform|OFF}
CURSor:FUNcTion?

Related Commands [CURSor:SOUrce](#),
[CURSor:MODE](#)

Arguments SCREEN specifies to display both horizontal and vertical bar cursors, which measure the selected waveform in horizontal and vertical units. Use these cursors to measure anywhere in the waveform display area.

WAVEform specifies to display the paired cursors in YT display format for measuring waveform amplitude and time. In XY and XYZ format, these cursors indicate the amplitude positions of an XY pair (Ch1 vs Ch2 voltage, where Ch1 is the X axis and Ch2 is the Y axis) relative to the trigger.

OFF removes the cursors from the display but does not change the cursor type.

Examples CURSOR:FUNCTION WAVEFORM selects the paired cursors for measuring waveform amplitude and time.

CURSOR:FUNCTION? might return :CURSor:FUNcTion SCREEN indicating that the screen cursors are currently selected.

CURSor:HBArs? (Query Only)

Returns the current settings for the horizontal bar cursors.

Group Cursor

Syntax CURSor:HBArs?

Examples `CURSOR:HBARS?` might return the horizontal bar setting as `:CURSOR:HBARS:POSITION1 320.0000E-03;POSITION2-320.0000E-03;UNITS BASE`

CURSOR:HBARS:DELTA? (Query Only)

Returns the vertical difference between the two horizontal bar cursors.

Group Cursor

Syntax `CURSOR:HBARS:DELTA?`

Related Commands [CURSOR:HBARS:UNITS](#)

Returns A floating point value with an exponent.

Examples `CURSOR:HBARS:DELTA?` might return `:CURSOR:HBARS:DELTA 5.0800E+00` indicating that the difference between the two cursors is 5.08.

CURSOR:HBARS:POSITION<x>

This command specifies the horizontal bar cursor position relative to ground, which is expressed in vertical units (usually volts). The cursor is specified by x, which can be 1 or 2.

Group Cursor

Syntax `CURSOR:HBARS:POSITION<x> <NR3>`
`CURSOR:HBARS:POSITION<x>?`

Related Commands [CURSOR:FUNCTION](#)

Arguments <NR3> is a floating point number that specifies the cursor position relative to ground.

Examples `CURSOR:HBARS:POSITION1 25.0E-3` positions Cursor 1 of the horizontal cursors at 25 mV.

CURSOR:HBARS:POSITION2? might return :CURSOR:HBARS:POSITION2
-64.0000E-03 indicating that Cursor 2 of the horizontal bar cursors is at -64 mV.

CURSor:HBArS:UNIts

This command specifies the units for the horizontal bar cursors.

Group Cursor

Syntax CURSor:HBArS:UNIts {BASE|PERcent}
CURSor:HBArS:UNIts?

Arguments BASE selects the vertical units for the selected waveform.
PERcent selects ratio cursors.

Examples CURSOR:HBARS:UNITS might return :CURSOR:HBARS:UNITS BASE indicating that the units for the horizontal bar cursors are base.

CURSor:HBArS:USE (No Query Form)

This command specifies the horizontal bar cursor measurement scale. This command is only applicable when the ratio cursors are turned on.

Group Cursor

Syntax CURSor:HBArS:USE {CURrent|HALFgrat}

Related Commands [CURSor:HBArS:UNIts](#)

Arguments CURrent sets the H Bar measurement scale so that 0% is the current position of the lowest H Bar cursor and 100% is the current position of the highest H Bar cursor.
HALFgrat sets H Bar measurement scale so that half the screen major divisions (five on the MSO/DPO4000 and MDO4000) is 100%, where 0% is -2.5 divisions and 100% is +2.5 divisions from the center horizontal graticule.

Examples CURSOR:HBARS:USE HALFGRAT sets the H Bar measurement scale so that five screen major divisions equals 100%.

CURSor:MODE

This command specifies whether the two cursors move linked together in unison or separately. This command is equivalent to setting Linked to On or Off in the Cursor menu.

Group Cursor

Syntax CURSor:MODE {TRACK|INdependent}
CURSor:MODE?

Arguments TRACK ties the navigational functionality of the two cursors together. For cursor 1 adjustments, this ties the movement of the two cursors together; however, cursor 2 continues to move independently of cursor 1. This mode only applies when the [DISplay:XY](#) is set to OFF.

INdependent allows independent adjustment of the two cursors.

Examples CURSOR:MODE TRACK specifies that the cursor positions move in unison.

CURSOR:MODE? might return :CURSOR:MODE TRACK indicating that the two cursors move in unison.

CURSor:SOURce

This command specifies the cursor source waveform, which can be one of channels 1–4, reference waveforms 1–4, math waveform, bus 1–4, digital channels 0–15 (MSO/MDO models), the RF time domain traces, (MDO4000 models) or AUTO. When the cursor source is set to AUTO, cursor readouts apply to the currently selected waveform.

Group Cursor

Syntax CURSor:SOURce {CH1|CH2|CH3|CH4|REF1|REF2|REF3|REF4|MATH
|BUS1|BUS2|BUS3|BUS4|D0|D1|D2|D3|D4|D5|D6|D7|D8|D9|D10
|D11|D12|D13|D14|D15|RF_AMP|tude|RF_FREQuency|RF_PHASe|AUTO}
CURSor:SOURce?

Related Commands [SElect:CONTROL](#),
[CURSor:MODE](#),
[CURSor:FUNctioN](#)

Arguments CH1-4 — specifies one of the analog waveforms as the cursor source.
 REF1-4 — specifies one of the reference waveforms as the cursor source.
 MATH — specifies the cursor source as the math waveform.
 BUS1-4 — specifies the cursor source as one of the bus waveforms.
 D0-D15 — specifies the cursor source as one of the digital waveforms.
 (MSO/MDO models only.)
 RF_AMP|ititude|RF_FREQUENCY|RF_PHASE — specifies the cursor source as one of the RF time domain traces (Amplitude vs. Time, Frequency vs. Time or Phase vs. Time). (for MDO4000 series models only.)
 AUTO — specifies the currently selected waveform. The selected waveform can be determined by querying [SElect:CONTROL](#)

Examples CURSor:SOURCE CH3 sets the cursor source to Channel 3.
 CURSor:SOURCE? might return AUTO, indicating that the cursor source has been set to the currently selected waveform.

CURSor:VBArS? (Query Only)

Returns the current settings for the vertical bar cursors.

Group Cursor

Syntax CURSor:VBArS?

Examples CURSOR:VBARS? might return the following vertical bar settings
 :CURSOR:VBARS:UNITS SECONDS;POSITION1 1.0000E-06;POSITION2
 9.0000E-06

CURSor:VBArS:ALTERNATE<x>? (Query Only)

Returns the alternate readout for the waveform (Vbar) cursors specified by <x>. This alternate readout is in effect when the selected waveform is a bus or digital channel.

Group Cursor

Syntax CURSor:VBArS:ALTERNATE<x>?

Arguments X = 1 specifies vertical bar cursor1.
X = 2 specifies vertical bar cursor2.

CURSOR:VBARS:DELTA? (Query Only)

Returns the horizontal difference between the two vertical bar cursors. The units are specified by the CURSOR:VBARS:UNITS command.

This is equivalent to watching the cursor readout in the display while using the appropriate cursor mode.

Group Cursor

Syntax CURSOR:VBARS:DELTA?

Related Commands [CURSOR:VBARS:UNITS](#)

Returns <NR3>

Examples CURSOR:VBARS:DELTA? might return :CURSOR:VBARS:DELTA 1.0640E+00 indicating that the time between the vertical bar cursors is 1.064 s.

CURSOR:VBARS:HPOS<x>? (Query Only)

Returns the vertical value of the specified vertical bar ticks for cursor <x>.

Group Cursor

Syntax CURSOR:VBARS:HPOS<x>?

Related Commands [CURSOR:VBARS:UNITS](#)

Arguments <x> specifies the cursor. Valid values are 1 and 2.

Returns <NR3> is a floating point number that indicates the value of one of the ticks. The units are the same as the selected waveform.

Examples `CURSOR:VBARS:HPOS2?` might return `CURSOR:VBARS:HPOS2 100E-3`, indicating the waveform value where the cursor intersects it is 0.100.

CURSOR:VBARS:POSITION<x>

This command specifies the horizontal position for the specified vertical bar cursor. The cursor is specified by <x>, which can be 1 or 2. Values are with respect to trigger position or the zero reference point for the designated waveform (if horizontal units are not set to time). Use the [CURSOR:VBARS:UNITs](#) command to specify units.

Group Cursor

Syntax `CURSOR:VBARS:POSITION<x> <NR3>`
`CURSOR:VBARS:POSITION<x>?`

Related Commands [CURSOR:VBARS:UNITs](#)

Arguments <NR3> is a floating point number that specifies the cursor position.

Returns A floating point value with an exponent.

Examples `CURSOR:VBARS:POSITION2 9.00E-6` positions the cursor2 vertical bar cursor at 9 ms.

`CURSOR:VBARS:POSITION1?` this command might return `:CURSOR:VBARS:POSITION1 1.0000E-06` indicating that the cursor1 vertical bar is positioned at 1 μ s.

CURSOR:VBARS:UNITs

This command specifies the units for the vertical bar cursors.

Group Cursor

Syntax `CURSOR:VBARS:UNITs {SECONDS|HERTZ|DEGREES|PERCENT}`
`CURSOR:VBARS:UNITs?`

Arguments	<p>SECONDS sets the units of the vertical bar cursors for the time domain (seconds).</p> <p>HERTZ sets the units of the vertical bar cursors for the frequency domain (Hertz).</p> <p>DEGREES sets the units to degrees for measuring phase.</p> <p>PERCENT sets the units to percent for use with ratio cursors.</p>
Returns	<p>SECONDS, HERTZ, DEGREES, or PERCENT, depending on the current vertical bar cursor units.</p>
Examples	<p>CURSOR:VBARS:UNITS HERTZ sets the units of the VBARS cursors to 1/seconds.</p> <p>CURSOR:VBARS:UNITS? might return :CURSOR:VBARS:UNITS SECONDS indicating that the units for the vertical bar cursor are currently set to seconds.</p>

CURSOR:VBARS:USE (No Query Form)

Sets the vertical bar cursor measurement scale.

Conditions This command is only applicable when ratio cursors are on.

Group Cursor

Syntax **CURSOR:VBARS:USE {CURRENT|HALFGRAT|FIVEDIVS}**

Related Commands [CURSOR:VBARS:UNITS](#)

Arguments

CURRENT sets the V Bar measurement scale so that 0% is the current position of the left-most V Bar cursor and 100% is the current position of the right-most V Bar cursor.

HALFGRAT resets the ratio range to the default positions on the screen, half of the number of horizontal divisions (five on the MSO/DPO4000 and MDO4000), from 25% to 75% of the screen.

FIVEDIVS sets V Bar measurement scale so that 5 screen major divisions is 100%, where 0% is -2.5 divisions and 100% is +2.5 divisions from the center vertical graticule.

Examples **CURSOR:VBARS:USE CURRENT** sets the V Bar measurement scale to use the current cursor positions as 0% and 100% of scale if units are set to %.

CURSOR:VBARS:VDELTA? (Query Only)

Returns the vertical difference between the two vertical bar cursor ticks.

Group Cursor

Syntax CURSOR:VBARS:VDELTA?

Related Commands [CURSOR:HBARS:UNITS](#)

Returns <NR3> indicates the vertical difference between the two vertical bar cursors' ticks.

Examples CURSOR:VBARS:VDELTA? might return CURSOR:VBARS:VDELTA 1.064E+0, indicating that the vertical difference between the vertical bar cursors ticks is 1.064 units.

CURSOR:XY:POLAR:RADIUS:DELTA? (Query Only)

Returns the difference between the cursors X radius and the cursor Y radius (ΔY , ΔX). The ratio is calculated as $(\text{cursor 2 Y} - \text{cursor 1 Y}) \div (\text{cursor 2 X} - \text{cursor 1 X})$.

Group Cursor

Syntax CURSOR:XY:POLAR:RADIUS:DELTA?

CURSOR:XY:POLAR:RADIUS:POSITION<x>? (Query Only)

Returns the polar radius for the specified cursor, where x can be either 1 or 2.

Group Cursor

Syntax CURSOR:XY:POLAR:RADIUS:POSITION<x>?

CURSOR:XY:POLAR:RADIUS:UNITS? (Query Only)

Returns the polar radius units.

Group Cursor

Syntax CURSor:XY:POLar:RADIUS:UNItS?

CURSor:XY:POLar:THETA:DELta? (Query Only)

Returns the XY cursor polar angle delta.

Group Cursor

Syntax CURSor:XY:POLar:THETA:DELta?

CURSor:XY:POLar:THETA:POSITION<x>? (Query Only)

Returns the cursor X or cursor Y polar coordinate, where x is either 1 or 2.

Group Cursor

Syntax CURSor:XY:POLar:THETA:POSITION<x>?

CURSor:XY:POLar:THETA:UNItS? (Query Only)

Returns the cursor coordinate units.

Group Cursor

Syntax CURSor:XY:POLar:THETA:UNItS?

CURSor:XY:PRODUCT:DELta? (Query Only)

Returns the difference between the cursors X position and cursor Y position. The $\Delta X \times \Delta Y$ value is calculated as $(X2 - X1) \times (Y2 - Y1)$.

Group Cursor

Syntax CURSor:XY:PRODUCT:DELta?

CURSor:XY:PRODUCT:POSITION<x>? (Query Only)

Returns the position of the X or Y cursor used to calculate the $X \times Y$ cursor measurement, Position 1 = $(X1 \times Y1)$; Position 2 = $(X2 \times Y2)$. The cursor is specified by x, which can be 1 or 2.

Group Cursor

Syntax CURSor:XY:PRODUCT:POSITION<x>?

CURSor:XY:PRODUCT:UNItS? (Query Only)

Returns the XY cursor product units.

Group Cursor

Syntax CURSor:XY:PRODUCT:UNItS?

CURSor:XY:RATIO:DELta? (Query Only)

Returns the ratio of the difference between the cursors X position and cursor Y position (ΔY , ΔX). The ratio is calculated as $(Y2 - Y1) / (X2 - X1)$.

Group Cursor

Syntax CURSor:XY:RATIO:DELta?

CURSor:XY:RATIO:POSITION<x>? (Query Only)

Returns the X (horizontal) or Y (vertical) position for the specified cursor, which can be 1 (X) or 2 (Y). The ratio is calculated as Position 1 = $(Y1/X1)$; Position 2 = $(Y2/X2)$.

Group Cursor

Syntax CURSor:XY:RATIO:POSITION<x>?

CURSor:XY:RATIO:UNIts? (Query Only)

Returns the cursor X and cursor Y units for the ratio measurement.

Group Cursor

Syntax CURSor:XY:RATIO:UNIts?

CURSor:XY:READOUT

This command specifies the XY cursor readout selection.

Group Cursor

Syntax CURSor:XY:READOUT {RECTangular|POLARCORD|PRODUCT|RATIO}
CURSor:XY:READOUT?

Arguments RECTangular specifies the XY readout as rectangular coordinates.
POLARCORD specifies the XY readout as polar coordinates.
PRODUCT specifies the XY readout in X*Y format.
RATIO specifies the XY readout in X:Y format.

CURSor:XY:RECTangular:X:DELta? (Query Only)

Returns the cursor X delta value in rectangular coordinates.

Group Cursor

Syntax CURSor:XY:RECTangular:X:DELta?

CURSor:XY:RECTangular:X:POSITION<x>

This command specifies the X rectangular coordinate for cursor 1 or cursor 2. The cursor is specified by x and can be either 1 or 2.

Group Cursor

Syntax CURSor:XY:RECTangular:X:POSITION<x> <NR3>
CURSor:XY:RECTangular:X:POSITION<x>?

Arguments <NR3> is a floating point number that specifies the coordinate in volts.

CURSor:XY:RECTangular:X:UNIts? (Query Only)

Returns the cursor X rectangular units.

Group Cursor

Syntax CURSor:XY:RECTangular:X:UNIts?

CURSor:XY:RECTangular:Y:DELta? (Query Only)

Returns The cursor Y delta value in rectangular coordinates.

Group Cursor

Syntax CURSor:XY:RECTangular:Y:DELta?

CURSor:XY:RECTangular:Y:POSITION<x>

This command specifies the Y rectangular coordinate for cursor 1 or cursor 2. The cursor is specified by x and can be either 1 or 2.

Group Cursor

Syntax CURSor:XY:RECTangular:Y:POSITION<x> <NR3>
CURSor:XY:RECTangular:Y:POSITION<x>?

Arguments <NR3> is a floating point number that specifies the coordinate in volts.

CURSor:XY:RECTangular:Y:UNIts? (Query Only)

Returns the cursor Y rectangular units.

Group	Cursor
Syntax	CURSor:XY:RECTangular:Y:UNIts?

CURVe

The CURVe command transfers the waveform data points TO the oscilloscope's internal reference memory location (REF1–4), which is specified by the DATA:DESTination command. The CURVe? query transfers data FROM the oscilloscope; the source waveform is specified by the DATA:SOURce command. The first and last data points are specified by the DATA:STARt and DATA:STOP commands.

Associated with each waveform transferred using the CURVe command or query is a waveform preamble that provides the data format, scale and associated information needed to interpret the waveform data points. The preamble information for waveforms sent TO the oscilloscope is specified using the WFMinpre commands. The preamble information for waveforms transferred FROM the oscilloscope is specified or queried using the WFMOuppre commands. If the waveform is not displayed, the query form generates an error.

The CURVe command and CURVe? query transfer waveform data in ASCII or binary format. ASCII data is sent as a comma-separated list of decimal values. Binary data is sent with the IEEE488.2 binary block header immediately followed by the binary data. The IEEE488.2 binary block header is defined as follows:

```
#N<N-digits>
```

where: N is a single decimal or hexadecimal digit indicating the number of digits to follow. <N-digits> are the decimal digits representing the number of bytes in the data that immediately follows this binary block header.

The Waveform Transfer command group text contains more comprehensive information. (See page 2-85, *Waveform Transfer Command Group*.)

(See page D-1, *Waveform Transfer (WFMOuppre and CURVe Query) Examples*.)

NOTE. *In order to guarantee that the waveform data returned from CURVe? queries of multiple waveforms are correlated to the same acquisition, you should use single sequence acquisition mode to acquire the waveform data from a single acquisition. Single sequence acquisition mode is enabled using ACQUIRE:STOPAfter SEQUENCE.*

NOTE. A series of examples of waveform transfer command sequences is included as an appendix. (See page D-1, Waveform Transfer (WFMOutpre and CURVe Query) Examples.)

Example 1: Analog Waveform (channel 1 - 4)

Example 2: Digital Waveform (channel DO-D15)

Example 3: The Digital Collection with 4 Bytes Per Point with MagniVu Off

Example 4: The Digital Collection with 8 Bytes Per Point with MagniVu Off

Example 5: The Digital Collection with 4 Bytes Per Point with MagniVu On

Example 6: The Digital Collection with 8 Bytes Per Point with MagniVu On

Example 7: RF Frequency Domain Waveform

Group Waveform Transfer

Syntax CURVe {<Block>|<asc curve>}
CURVe?

Related Commands [DATA:DESTination](#)
[DATA:ENCdg](#)
[DATA:SOURce](#)
[DATA:START](#)
[DATA:STOP](#)
[WFMinpre?](#)
[WFMOutpre?](#)
[ACQUIRE:MODE](#)

Arguments <Block> is the waveform data in binary format. The waveform is formatted as follows:

<IEEE488.2 binary block header><data><newline>

<IEEE488.2 binary block> is the header, which is defined as #N<N-digits>

N is a single decimal or hexadecimal digit indicating the number of digits to follow.

<N-digits> are the decimal digits representing the number of bytes in the data that immediately follows this binary block header. (Use the [WFMinpre:BYT_Nr](#) command to set the width for waveforms transferred

into the oscilloscope. Use [WFMOutpre:BYT_Nr](#) to set the width for waveforms transferred out from the oscilloscope.)

<data> is the curve data.

<newline> is a single byte new line character at the end of the data.

<asc curve> is the waveform data in ASCII format. The format for ASCII data is <NR1>[,<NR1>...], where each <NR1> represents a data point. For RF frequency domain waveforms, the data is transmitted as 4-byte floating point values (NR2 or NR3).

Examples

CURVe 0,1,4,32,-120 ... — This command sends ASCII data values to the specified destination reference waveform ([DATA:DESTination](#)).

CURVe #510000<10000 binary bytes> — This command sends 10,000 binary data bytes to the specified destination reference waveform ([DATA:DESTination](#)).

CURVe? with ASCII encoding, START and STOP of 1 and 10 respectively, and a width set to 1 might return :CURVe 61,62,61,60,60,-59,-59,-58,-58,-59

CURVe? with ASCII encoding, START and STOP of 1 and 5 respectively, and [DATA:SOURce](#) set to RF_NORMa1 might return :CURVE 1.20635E-11,6.30522E-12,1.46334E-11,8.97143E-12,4.87173E-12.

CURVe? with ASCII encoding, START and STOP of 1 and 5 respectively, and [DATA:SOURce](#) set to RF_NORMal might return :CURVE 1.20635E-11,6.30522E-12,1.46334E-11,8.97143E-12,4.87173E-12.

NOTE. Curve data is transferred from the oscilloscope asynchronously, depending on the length of the curve record. Such transfers may require several seconds to complete. During this period, the oscilloscope will not respond to the user controls. You can interrupt these asynchronous data transfers by sending a device clear message to the oscilloscope or by interrupting the query with another command or query. In order to verify that curve data has been completely transferred, it is recommended that you follow such queries with an **ESR?* query to verify there are no error bits set. You can also check the event queue to determine the cause of the error, if any. If the error was caused by an interrupted query, then the asynchronous data transfer was not complete when the **ESR?* query was sent. In such cases, it may be necessary to increase the program's time-out value to ensure that all data is transferred and read.

DATA

These commands specify the format and location of waveform data that is transferred using the [CURVe](#) command, or return the format and location of the waveform data that is transferred with the [CURVe?](#) query. You can use the [INIT](#)

argument to reset all of the DATA parameters to default values. (Note that the *RST and FACTORY commands do not reset the DATA parameters.) You can use the SNAP argument to automatically set the DATA:START and DATA:STOP values to the starting and stopping point of the waveform cursors (if on). Note that setting DATA:START and DATA:STOP automatically sets WFMOutpre:NR_Pt.

(See page 2-85, *Waveform Transfer Command Group*.)

Group	Waveform Transfer
Syntax	DATA {INIT SNAP} DATA?
Related Commands	CURVe, DATA:START, DATA:STOP, DATA:ENCdg, WFMInpre:NR_Pt, WFMOutpre:NR_Pt?
Arguments	INIT initializes the waveform data parameters to their factory defaults except for DATA:STOP, which is set to the current acquisition record length. The data waveform preamble parameters are initialized to the following values: :DATA:SOURce CH1 :DATA:DESTination REF1 :WFMInpre:BYT_NR 1 :WFMInpre:BIT_NR 8 :WFMInpre:ENCDG BINARY :WFMInpre:BN_FMT RI :WFMInpre:BYT_OR MSB :WFMInpre:PT_FMT Y :WFMOutpre:BYT_NR 1 :WFMOutpre:BIT_NR 8 :WFMOutpre:ENCDG BINARY

```
:WFMOutpre:BN_FMT RI
:WFMOutpre:BYT_OR MSB
:WFMOutpre:NR_PT <current acquisition record length>
:WFMOutpre:PT_FMT Y
```

SNAP sets [DATA:START](#) and [DATA:STOP](#) to match the current waveform cursor positions.

Examples DATA? might return :DATA:DESTINATION REF1:ENCDG RIBINARY;SOURCE CH1;START 1;STOP 500;WIDTH 1
DATA INIT initializes the waveform data parameters to their factory defaults.

DATA:DESTination

This command specifies the reference memory location (REF1–4) for storing waveform data transferred into the oscilloscope using the [CURVe](#) command.

(See page 2-85, *Waveform Transfer Command Group*.)

Group Waveform Transfer

Syntax DATA:DESTination REF<x>
DATA:DESTination?

Related Commands [CURVe](#)

Arguments REF<x> is the reference location where the waveform will be stored.

Examples DATA:DESTINATION? might return :DATA:DESTINATION REF3 indicating that reference 3 is the currently selected reference memory location for incoming waveform data. DATA:DESTINATION REF1 indicates that incoming waveform data be stored in reference 1.

DATA:ENCdg

This command specifies the encoding format for outgoing waveform data. This command is equivalent to setting [WFMOutpre:ENCdg](#), [WFMOutpre:BN_Fmt](#), and [WFMOutpre:BYT_Or](#). Setting the [DATA:ENCdg](#) value causes the corresponding [WFMOutpre](#) values to be updated.

NOTE. *This command and query does not apply to incoming waveform data.*

(See page 2-85, *Waveform Transfer Command Group*.)

(See page D-1, *Waveform Transfer (WFMOutpre and CURVe Query) Examples*.)

Group Waveform Transfer

Syntax DATA:ENCdg
 {ASCIi | FASTest | RIBinary | RPBinary | SRIBinary | SRPbinary | FPbinary | SFPbinary}
 DATA:ENCdg?

Related Commands [WFMOutpre:ENCdg](#),
[WFMOutpre:BN_Fmt](#),
[WFMOutpre:BYT_Or](#)

Arguments ASCIi specifies to use ASCII encoding for the waveform data queried using the CURVe? query. Data values are returned as signed decimal integers for analog channel and RF time domain data, 4-byte floating point values for RF frequency domain data, or hexadecimal values for Digital Collection data with 4 or 8 bytes per point. The maximum number of ASCII data points that can be queried using the CURVe? query is 1 million points. If more than 1 million points are desired, you must use one of the binary encodings. If ASCII is the value, then BN_Fmt and BYT_Or are ignored.

FASTest specifies the encoding which results in the fastest waveform data transfer rate. This sets the following: WFMOutpre:ENCdg BINary, WFMOutpre:BIN_Fmt RI and WFMOutpre:BYT_Or MSB.

RIBinary specifies the signed integer data point format, with the most significant byte transferred first.

When DATA:WIDTH is set to 1, the range is from -128 through 127. When DATA:WIDTH is 2, the range is from -32,768 through 32,768. Center screen is 0 (zero). The upper limit is the top of the screen and the lower limit is the bottom of the screen. The default encoding is RIBINARY. This sets the following: WFMOutpre:ENCdg BINary, WFMOutpre:BN_Fmt RI and WFMOutpre:BYT_Or MSB.

RPBinary specifies the positive integer data-point representation, with the most significant byte transferred first.

When `BYT_Nr` is 1, the range of data values is 0 through 255. When `BYT_Nr` is 2, the range of data values is 0 to 65,535. The center of the screen is 127 for 1-byte data and is 32768 for 2-byte data. The upper limit is the top of the screen and the lower limit is the bottom of the screen. This sets the following: `:WFMOutpre:ENCdg BINary`, `:WFMOutpre:BN_Fmt RP` and `WFMOutpre:BYT_Or MSB`.

`SRIBinary` specifies the signed integer format. It is the same as `RIBinary` except that the byte order is swapped, meaning that the least significant byte is transferred first. This sets the following: `WFMOutpre:ENCdg BINary`, `WFMOutpre:BIN_Fmt RI` and `WFMOutpre:BYT_Or LSB`.

`SRPBinary` specifies the positive integer format. It is the same as `RPBinary` except that the byte order is swapped, meaning that the least significant byte is transferred first. This sets the following: `WFMOutpre:ENCdg BINary`, `WFMOutpre:BN_Fmt RP` and `WFMOutpre:BYT_Or LSB`.

`FPBinary` specifies floating point binary. It automatically forces `DATA:WIDTH` to 4 and `BYT_OR` to MSB (most significant byte transmitted first). This argument only applies to the frequency domain waveforms (MDO models only).

`SFPBinary` specifies floating point binary. It automatically forces `DATA:WIDTH` to 4 and `BYT_OR` to LSB (least significant byte transmitted first). This argument only applies to the frequency domain waveforms (MDO models only).

Table 2-45: DATA and WFMOutpre Parameter Settings

DATA:ENCdg Setting	WFMOutpre Settings			
	:ENCdg	:BN_Fmt	:BYT_Or	:BYT_NR
AScii	ASC	N/A	N/A	1,2,4,8
FAStest	BIN	RI	MSB	1,2
RIBinary	BIN	RI	MSB	1,2
RPBinary	BIN	RP	MSB	1,2
SRIBinary	BIN	RI	LSB	1,2
SRPBinary	BIN	RP	LSB	1,2
FPBinary	BIN	FP	MSB	4
SFPBinary	BIN	FP	LSB	4

Examples

`DATA:ENCDG?` might return `:DATA:ENCDG SRPBINARY` for the format of the outgoing waveform data.

`DATA:ENCDG RPBinary` sets the data encoding format to be a positive integer where the most significant byte is transferred first.

DATA:SOURce

This command specifies the source waveform to be transferred from the oscilloscope using the CURVe? query. The valid waveform sources are CH1-CH4, MATH, REF1-REF4, D0-D15, DIGita1, RF_AMPliTude, RF_FREQUency, RF_PHASE, RF_NORMa1, RF_AVErage, RF_MAXHO1d, and RF_MINHO1d. Setting DATA:SOURce automatically constrains the following to valid values for the specified source waveform: WFMOutpre:BYT_Nr, WFMOutpre:BIT_Nr and WFMOutpre:BN_Fmt.

(See page 2-85, *Waveform Transfer Command Group*.)

Group Waveform Transfer

Syntax DATA:SOURce
 {CH1|CH2|CH3|CH4|MATH|REF1|REF2|REF3|REF4|D0|D1|D2|D3
 |D4|D5|D6|D7|D8|D9|D10|D11|D12|D13|D14|D15|DIGita1
 |RF_AMPliTude|RF_FREQUency|RF_PHASE|RF_NORMa1|RF_AVErage|
 RF_MAXHO1d|RF_MINHO1d}
 DATA:SOURce?

Related Commands [CURVe](#)

Arguments CH1-CH4 specifies which analog channel waveform data will be transferred from the oscilloscope to the controller, channels 1 through 4.

MATH specifies that the Math waveform data will be transferred from the oscilloscope to the controller.

REF1-REF4 specifies which Reference waveform data will be transferred from the oscilloscope to the controller.

D0-D15 specifies which digital channel waveform data will be transferred from the oscilloscope to the controller. (MSO/MDO models only)

DIGita1 specifies that the Digital Collection waveform data will be transferred from the oscilloscope to the controller. (MSO/MDO models only)

RF_AMPliTude|RF_FREQUency|RF_PHASE|RF_NORMa1|RF_AVErage|
 RF_MAXHO1d|RF_MINHO1d specify that the RF data will be transferred from the oscilloscope to the controller. (MDO models only.)

Examples DATA:SOURce? might return :DATA:SOURce REF3 indicating that the source for the waveform data which is transferred using a CURVe? query is reference 3.

DATA:SOURce CH1 specifies that the CH1 waveform will be transferred in the next CURVe? query.

DATA:START

This command specifies the starting data point for incoming or outgoing waveform transfer using the **CURVe** command or query. (Use **DATA:STOP** to specify the ending data point.) You can set the **DATA:START** and **DATA:STOP** values automatically to the starting and stopping points of the waveform cursors, if on, using **DATA Snap**. Note that setting **DATA:START** and **DATA:STOP** automatically sets **WFMOutpre:NR_Pt**.

(See page 2-85, *Waveform Transfer Command Group*.)

Group	Waveform Transfer
Syntax	DATA:START <NR1> DATA:START?
Related Commands	CURVe , DATA , DATA:STOP , WFMinpre:NR_Pt , WFMOutpre:NR_Pt?
Arguments	<NR1> is the first data point that will be transferred, which ranges from 1 to the record length. Data will be transferred from <NR1> to DATA:STOP or the record length, whichever is less. If <NR1> is greater than the record length, the last data point in the record is transferred. DATA:START and DATA:STOP are order independent. When DATA:STOP is greater than DATA:START , the values will be swapped internally for the CURVe? query.
Examples	DATA:START? might return :DATA:START 214 indicating that data point 214 is the first waveform data point that will be transferred. DATA:START 10 specifies that the waveform transfer will begin with data point 10.

DATA:STOP

This command specifies the final data point that will be transferred when using the **CURVe** command or query for incoming or outgoing waveform transfer. (Use **DATA:START** to specify the starting data point.)

NOTE. *The oscilloscope automatically adjusts the `DATA:START` and `DATA:STOP` values for `CURVE` queries when the `DATA:STOP` value is less than the `DATA:START` value, and also when the `DATA:START` and/or `DATA:STOP` values are greater than the record length of the source waveform. The adjusted `DATA:START` and `DATA:STOP` values determine `WFMOutpre:NR_Pt`.*

You can set the `DATA:START` and `DATA:STOP` values to automatically to the starting and stopping points of the waveform cursors, if on, using the `DATA` command with the `SNap` argument. Note that setting `DATA:START` and `DATA:STOP` automatically sets `WFMOutpre:NR_Pt`.

Changes to the record length value are not automatically reflected in the `DATA:STOP` value. As record length is varied, the `DATA:STOP` value must be explicitly changed to ensure the entire record is transmitted. In other words, curve results will not automatically and correctly reflect increases in record length if the difference of `DATA:START` and `DATA:STOP` remains smaller than the increased record length. Note that `DATA:STOP` can be larger than the record length. (Use [WFMOutpre:NR_Pt?](#) to find how many samples are available.)

(See page 2-85, *Waveform Transfer Command Group*.)

Group Waveform Transfer

Syntax `DATA:STOP <NR1>`
`DATA:STOP?`

Related Commands [CURVe](#),
[DATA](#),
[DATA:START](#),
[WFMinpre:NR_Pt](#),
[WFMOutpre:NR_Pt?](#)

Arguments `<NR1>` is the last data point that will be transferred, which ranges from 1 to the record length. If `<NR1>` is greater than the record length, then data will be transferred up to the record length. If both `DATA:START` and `DATA:STOP` are greater than the record length, the last data point in the record is returned.

`DATA:START` and `DATA:STOP` are order independent. When `DATA:STOP` is less than `DATA:START`, the values will be swapped internally for the `CURVe?` query.

If you always want to transfer complete waveforms, set `DATA:START` to 1 and `DATA:STOP` to the record length of the source waveform, or larger.

Examples DATA:STOP? might return DATA:STOP 14900 indicating that 14900 is the last waveform data point that will be transferred.

DATA:STOP 15000 specifies that the waveform transfer will stop at data point 15000.

DATA:WIDTH

This command specifies the width, in bytes per point, for waveform data transferred from the scope via the CURVE? query. (This command is synonymous with WFMOutpre:BYT_Nr .) When the source is CH1-CH4, REF1-REF4, MATH, D0-D15, RF_AMPLitude, RF_FREQUency and RF_PHASE, the default width is 1 byte. When the source is RF_NORMal, RF_AVERAge, RF_MAXHOld, RF_MINHOld or DIGi tal, the default width is 4 bytes.

NOTE. This command is equivalent to the WFMOutpre:BYT_Nr command.

(See page 2-85, Waveform Transfer Command Group.)

Group Waveform Transfer

Syntax DATA:WIDTH <NR1>
DATA:WIDTH?

Related Commands [CURVe?](#),
[DATA:SOUrce](#),
[DATA:DESTination](#),
[WFMOutpre:BYT_Nr](#)

Arguments <NR1> is an integer that indicates the number of bytes per point for the outgoing waveform data when queried using the CURVE? command. For analog channel and RF_FREQUency, RF_PHASE and RF_AMPLitude, the values can be 1 or 2. For digital channels (D0 through D15), the values can be 1 or 2. For the digital collection (DATA:SOURce DIGi tal), the values can be 4 or 8. For RF_NORMal, RF_AVERAge, RF_MAXHOld, or RF_MINHOld, the value can only be 4 as this is 32-bit floating point data.

Examples DATA:WIDTH 2 sets the width of waveform data to be read from the scope to 2 bytes.

DATA:WIDTH? might return 1, indicating that a width of 1 byte has been set.

DATE

This command specifies the date the oscilloscope displays.

Group Miscellaneous

Syntax DATE <QString>
DATE?

Related Commands [TIME](#)

Arguments <QString> is a date in the form "yyyy-mm-dd" where yyyy refers to a four-digit year number, mm refers to a two-digit month number from 01 to 12, and dd refers to a two-digit day number in the month.

Examples DATE "2006-01-24" specifies that the date is set to January 24, 2006.
DATE? might return :DATE 2006-01-24 indicating the current date is set to January 24, 2006.

*DDT

Allows you to specify a command or a list of commands that execute when the oscilloscope receives a [*TRG](#) command or the GET IEEE488.2 interface message. Define Device Trigger (*DDT) is a special alias that the [*TRG](#) command uses.

Group Miscellaneous

Syntax *DDT {<Block>|<QString>}
*DDT?

Related Commands [*TRG](#)

Arguments <Block> is a complete sequence of program messages. The messages can contain only valid commands that must be separated by semicolons and must follow all rules for concatenating commands. The sequence must be less than or equal to 80 characters. The format of this argument is always returned as a query.

<QString> is a complete sequence of program messages. The messages can contain only valid commands that must be separated by semicolons and must

follow all rules for concatenating commands. The sequence must be less than or equal to 80 characters.

Examples *DDT #OACQUIRE:STATE RUN specifies that the acquisition system will be started each time a *TRG command is sent.

DESE

This command specifies the bits in the Device Event Status Enable Register (DESER). The DESER is the mask that determines whether events are reported to the Standard Event Status Register (SESR), and entered into the Event Queue. For a detailed discussion of the use of these registers, see Registers. (See page 3-1, *Registers*.)

Group Status and Error

Syntax DESE <NR1>
DESE?

Related Commands *CLS, *ESE, *ESR?, EVENT?, EVMsg?, *SRE, *STB?

Arguments <NR1> sets the binary bits of the DESER according to this value, which ranges from 1 through 255. For example, DESE 209 sets the DESER to the binary value 11010001 (that is, the most significant bit in the register is set to 1, the next most significant bit to 1, the next bit to 0, etc.).

The power-on default for DESER is all bits set if *PSC is 1. If *PSC is 0, the DESER maintains the previous power cycle value through the current power cycle.

NOTE. *Setting the DESER and ESER to the same value allows only those codes to be entered into the Event Queue and summarized on the ESB bit (bit 5) of the Status Byte Register. Use the *ESE command to set the ESER.*

Examples DESE 209 sets the DESER to binary 11010001, which enables the PON, URQ, EXE and OPC bits.

DESE? might return:DESE 186, showing that the DESER contains the binary value 10111010.

DESkew (No Query Form)

Causes the deskew values for all channels to be set to the recommended values. Equivalent to pressing the "Set all deskews to recommended values" button in the application UI.

NOTE. *The actual deskew values for each channel can be set or queried using the `CH<x>:DESkew` command.*

Group	Vertical
Syntax	DESkew {SETALLtorec}
Arguments	<SETALLtorec> sets the deskew for all channels to the recommended values.

DESkew:DISPlay

This command specifies the state of the deskew table display.

Group	Vertical
Syntax	DESkew:DISPlay {OFF ON 0 1} DESkew:DISPlay?
Arguments	OFF or 0 turns off the deskew table display. ON or 1 turns on the deskew table display.

DIAG:LOOP:OPTion

Sets the self-test loop option.

Group	Calibration and Diagnostic
Syntax	DIAG:LOOP:OPTion {ALWAYS FAIL ONFAIL ONCE NTIMES}
Arguments	ALWAYS continues looping until the self tests (diagnostics) are stopped via the front panel or by an oscilloscope command.

FAIL causes looping until the first self test (diagnostic) failure or until self tests (diagnostics) are stopped.

ONFAIL causes looping on a specific test group as long as a FAIL status is returned from the test.

ONCE executes self test (diagnostics test) sequence once.

NTIMES runs “n” number of loops.

Examples `DIAG:LOOP:OPTION ONCE` runs one loop of self tests.

DIAG:LOOP:OPTion:NTIMes

Sets the self-test loop option to run N times.

Group Calibration and Diagnostic

Syntax `DIAG:LOOP:OPTion:NTIMes <NR1>`
`DIAG:LOOP:OPTion:NTIMes?`

Arguments `<NR1>` is the number of self-test loops.

Examples `DIAG:LOOP:OPTION:NTIMES 3` sets the self-test loop to run three times.

`DIAG:LOOP:OPTION:NTIMES?` might return `:DIAG:LOOP:OPTION:NTIMES 5`, indicating the self-test loop is set to run five times.

DIAG:LOOP:STOP (No Query Form)

Stops the self-test at the end of the current loop.

Group Calibration and Diagnostic

Syntax `DIAG:LOOP:STOP`

Examples `DIAG:LOOP:STOP` stops the self test at the end of the current loop.

DIAG:RESUlt:FLAg? (Query Only)

Returns the pass/fail status from the last self-test sequence execution. Use this query to determine which test(s) has failed.

Group Calibration and Diagnostic

Syntax DIAG:RESUlt:FLAg?

Related Commands [DIAG:RESUlt:LOG?](#)

Returns PASS indicates that all of the selected self (diagnostic) tests have passed.
 FAIL indicates that at least one of the selected self (diagnostic) tests has failed.
 IN PROGRESS indicates that at least one of the selected self (diagnostic) tests is ongoing.
 NOT RUN indicates that the selected diagnostic test suite has not been run since the instrument was powered on.

Examples DIAG:RESULT:FLAG? might return DIAG:RESULT:FLAG PASS.

DIAG:RESUlt:LOG? (Query Only)

Returns the internal results log from the last self-test sequence execution. The list contains all modules and module interfaces that were tested along with the pass/fail status of each.

Group Calibration and Diagnostic

Syntax DIAG:RESUlt:LOG?

Related Commands [DIAG:RESUlt:FLAg?](#)

Returns <QString> in the following format:
 <Status>--<Module name>[,<Status>--<Module name>...]

Examples `DIAG:RESULT:LOG?` might return `:DIAG:RESULT:LOG "NOT
RUN--CPU,PASS--DISPLAY,NOT RUN--FPANEL,NOT RUN--IO,NOT
RUN--ACQ,NOT RUN--ROM,NOT RUN--APPKEY"`

DIAG:SElect (No Query Form)

This command specifies which of the diagnostic groups will be tested when the `DIAG:STATE EXECute` command is run.

Group Calibration and Diagnostic

Syntax `DIAG:SElect {ALL|APPKey|CPU|DISPlay|FPAnel|IO|ROM|ACQ}`

Arguments ALL runs all diagnostic groups.
 APPKey runs just the application key diagnostic group.
 CPU runs just the CPU diagnostic group.
 DISPlay runs just the display circuit diagnostic group.
 FPAnel runs just the front panel diagnostic group.
 IO runs just the IO board diagnostic group.
 ROM runs just the IO board diagnostic group.
 ACQ runs just the acquisition system diagnostic group.

DIAG:SElect:<function> (No Query Form)

This command specifies which of the subsystems will be tested when the `DIAG:STATE EXECute` command is run.

Group Calibration and Diagnostic

Syntax `DIAG:SElect:<function>`

Related Commands [DIAG:STATE EXECute](#)

Arguments <function> specifies a single oscilloscope subsystem on which to run self tests (diagnostics). Valid values are:
 ACQ tests the acquisition system.

APPKey tests the application keys.

CPU tests the CPU.

DISpLay tests the display.

FPAnel tests the front panel controls.

IO tests the IO ports.

ROM tests the system read only memory.

Examples `DIAG:SELECT:CPU` specifies that the oscilloscope will test the CPU when the diagnostic test is run.
`DIAG:STATE EXECute` will actually run the test.

DIAG:STATE (No Query Form)

This command starts or stops the oscilloscope diagnostic self-tests. Which self-test is run is specified by the `DIAG:SElect:` or `DIAG:SElect:<function>` commands.

Group Calibration and Diagnostic

Syntax `DIAG:STATE {EXECute|ABORT}`

Related Commands [DIAG:SElect:<function>](#)

Arguments `EXECute` starts diagnostics.
`ABORT` stops diagnostics at the end of the current loop.

Examples `DIAG:STATE EXECute` starts diagnostics.

DISpLay? (Query Only)

Returns the current display settings.

Group Display

Syntax `DISpLay?`

DISplay:CLOCK

This command specifies whether the oscilloscope displays the date and time. The query form of this command returns an ON (1) or an OFF (0).

Group	Display
Syntax	DISplay:CLOCK {ON OFF <NR1>} DISplay:CLOCK?
Related Commands	DATE , TIME
Arguments	ON enables the display of date and time. OFF disables the display of date and time. <NR1> = 0 disables the display of date and time; any other value enables the display of date and time.
Examples	DISPLAY:CLOCK ON enables display of date and time. DISPLAY:CLOCK? might return :DISPLAY:CLOCK 1 indicating that the display of date and time is currently enabled.

DISplay:DIGital:HEIght

This command specifies the number of available digital waveform position slots.

NOTE. *If the number of live digital channels exceeds the number of slots, their height is reduced to a smaller size, allowing all digital channels to be displayed.*

Group	Display
Syntax	DISplay:DIGital:HEIght {SMAlL MEDiUm LARGe} DISplay:DIGital:HEIght?
Arguments	SMAlL sets the height to 40. MEDiUm sets the height to 20. LARGe sets the height to 10.

DISplay:GRAticule

This command specifies the type of graticule the oscilloscope displays.

Group Display

Syntax DISplay:GRAticule {CROSSHair|FRame|FULl|GRId|SOLId}
DISplay:GRAticule?

Arguments CROSSHair specifies a frame and cross hairs.
FRame specifies a frame only.
FULl specifies a frame, a grid and cross hairs.
GRId specifies a frame and grid only.
SOLId specifies a solid graticule.

Examples DISPLAY:GRATICULE FRame sets the graticule type to display the frame only.
DISPLAY:GRATICULE? might return :DISPLAY:GRATICULE FULL indicating that all graticule elements are selected.

DISplay:INTENSITy? (Query Only)

Returns the display intensity settings.

Group Display

Syntax DISplay:INTENSITy?

Examples DISPLAY:INTENSITy? might return: :DISPLAY:INTENSITy:WAVEFORM
30;GRATICULE 75;BACKLIGHT HIGH

DISplay:INTENSITy:BACKLight

Sets and returns the waveform backlight intensity settings.

Group Display

Syntax `DISPlay:INTENSITY:BACKLight {LOW|MEDIum|HIGH}`
`DISPlay:INTENSITY:BACKLight?`

Examples `DISPLAY:INTENSITY:BACKLIGHT?` might return
`DISPLAY:INTENSITY:BACKLIGHT HIGH`

DISPlay:INTENSITY:GRAticule

Sets and returns the display graticule intensity settings.

Group Display

Syntax `DISPlay:INTENSITY:GRAticule <NR1>`
`DISPlay:INTENSITY:GRAticule?`

Arguments `<NR1>` is the graticule intensity and ranges from 0 to 100 percent.

Examples `DISPLAY:INTENSITY:GRATICULE?` might return
`DISPLAY:INTENSITY:GRATICULE 30`

DISPlay:INTENSITY:WAVEform

Sets and returns the display waveform intensity settings.

Group Display

Syntax `DISPlay:INTENSITY:WAVEform <NR1>`
`DISPlay:INTENSITY:WAVEform?`

Arguments `<NR1>` is the waveform intensity and ranges from 1 to 100 percent.

Examples `DISPLAY:INTENSITY:WAVEFORM?` might return
`DISPLAY:INTENSITY:WAVEFORM 60`

as the intensity of the waveforms.

DISplay:PERsistence

This command specifies the display persistence for analog waveforms. This affects the display only.

Group Display

Syntax DISplay:PERsistence {<NR3>|CLEAR|AUTO|INFINite|OFF}
DISplay:PERsistence?

Arguments <NR3> is a floating point number that specifies the time of the persistence.
CLEAR resets the persist time count down and clears the display of acquired points.
INFINite displays waveform points until a control change resets the acquisition system.

NOTE. *When persistence is set to infinite, it does not mean that the brightness of any pixel should never decrease. The brightness of a pixel is proportionally dependent on the ratio between its intensity, which does NOT decrease at infinite persistence, and the maximum value of intensity of any pixel on the screen. Thus, if a particular pixel gets hit less often than others, its brightness will decrease over time. It will become less bright relative to the pixels that get hit more often.*

AUTO specifies that the oscilloscope automatically determines the best waveform persistence based on the value of waveform intensity (DISplay:INTENSITy:WAVEform)

OFF turns off DPO mode (0 seconds of persistence).

Examples DISPLAY:PERsISTENCE 3 specifies that the waveform points are displayed fading for 3 seconds before they completely disappear.

DISplay:STYle:DOTsonly

This command turns on or off the dots-only mode for the waveforms displayed in the time domain.

Group Display

Syntax DISplay:STYle:DOTsonly {ON|OFF|<NR1>}
DISplay:STYle:DOTsonly?

Arguments ON or <NR1> \neq 0 turns on the dots-only display.
OFF or <NR1> = 0 turns off the dots-only display.

DISplay:TRIGFrequency

This command switches the trigger frequency readout on or off. The default is 0 (off).

Group Display

Syntax DISplay:TRIGFrequency {OFF|ON|0|1}
DISplay:TRIGFrequency?

Examples DISplay:TRIGFrequency ON turns the trigger frequency read out on.
DISplay:TRIGFrequency? might return 0, indicating that the trigger frequency readout is turned off.

DISplay:XY

This command turns on or off the XY display mode.

Group Display

Syntax DISplay:XY {OFF|TRIGgered}
DISplay:XY?

Related Commands All CURSOR:XY commands.

Arguments OFF — The channels are displayed individually as a function of time.
TRIGgered — The channels are displayed in “X-Y” pairs with CH1 being displayed as a function of CH2, and so on.

Examples DISplay:XY TRIG specifies to use the XY display mode.
DISplay:XY? might return OFF, indicating that the XY display mode is not currently on.

D<x>

This command specifies parameters for digital channel <x>, where x is the channel number.

Group Vertical

Syntax D<x>

D<x>:LABel

This command specifies the waveform label for digital channel <x>, where x is the channel number.

Group Vertical

Syntax D<x>:LABel <Qstring>
D<x>:LABel?

Arguments <Qstring> is an alphanumeric string of text, enclosed in quotes, that contains the text label information for the digital channel <x> waveform. The text string is limited to 30 characters.

Examples D4:LABEL? might return :D4:LABEL "Clk wfm 4".

D<x>:POSition

This command specifies the vertical position for digital channel <x>, where x is the channel number.

NOTE. Unlike analog channels, which use the center baseline as the zero point, digital channels use the bottom logic level as the zero point. Because of the slot model used to describe digital channel position, the oscilloscope rounds off divisions to the nearest slot.

Group Vertical

Syntax D<x>:POSition <NR3>
D<x>:POSition?

Arguments <NR3> is a floating point number that specifies the position of the digital channel, in slot units. Use the oscilloscope front-panel controls to place the channel; then query the channel to obtain an exact value for the position.

D<x>:THReshold

This command specifies the logical threshold for the digital channel <x>, where x is the digital channel number D0 – D15.

Group Vertical

Syntax D<x>:THReshold {ECL|TTL|<NR3>}
D<x>:THReshold?

Arguments ECL sets the digital threshold for channel <x> to a preset ECL high level of -1.3V.
TTL sets the digital threshold for channel <x> to a preset TTL high level of 1.4V.
<NR3> is a floating point number that specifies the digital threshold for channel <x>, in volts.

Examples D5:THRESHOLD ECL sets the threshold for D5 digital channel to ECL levels.
D14:threshold? might return :D14:THRESHOLD 1.2500 indicating that the threshold level for the D14 digital channel is 1.25 volts.

*ESE

Sets and queries the bits in the Event Status Enable Register (ESER). The ESER prevents events from being reported to the Status Byte Register (STB). For a detailed discussion on how to use registers, see Registers. (See page 3-1, *Registers*.)

Group Status and Error

Syntax *ESE <NR1>
*ESE?

Related Commands *CLS, DESE, *ESR?, EVENT?, EVMsg?, *SRE, *STB?

Arguments <NR1> specifies the binary bits of the ESER according to this value, which ranges from 0 through 255.

The power-on default for the ESER is 0 if *PSC is 1. If *PSC is 0, the ESER maintains the previous power cycle value through the current power cycle.

NOTE. *Setting the DESER and the ESER to the same values allows only those codes to be entered into the Event Queue and summarized on the ESB bit (bit 5) of the Status Byte Register. Use the DESE command to set the DESER.*

Examples *ESE 209 sets the ESER to binary 11010001, which enables the PON, URQ, EXE, and OPC bits.

*ESE? might return 186, showing that the ESER contains the binary value 10111010.

*ESR? (Query Only)

Returns the contents of the Standard Event Status Register (SESR). *ESR? also clears the SESR (reading the SESR clears it). For a detailed discussion on how to use registers, see Registers. (See page 3-1, *Registers*.)

Group Status and Error

Syntax *ESR?

Related Commands [ALLEv?](#), [*CLS](#), [DESE](#), [*ESE](#), [EVENT?](#), [EVMsg?](#), [*SRE](#), [*STB?](#)

Examples *ESR? might return 213, showing that the SESR contains the binary value 11010101.

ETHERnet:DHCPbootp

This command specifies the network initialization search for a DHCP/BOOTP server.

Group Ethernet

Syntax ETHERnet:DHCPbootp {ON|OFF}
ETHERnet:DHCPbootp?

Arguments ON enables the oscilloscope to search the network for a DHCP or BOOTP server in order to automatically assign a dynamic IP address to the oscilloscope.

NOTE. *Do not use DHCP/BOOTP searching if your oscilloscope has been assigned a static address on a network. If you set this command to ON, the DHCP/BOOTP search will delete or change your static IP address information.*

OFF disables the oscilloscope to search the network for a DHCP or BOOTP server.

Examples ETHERNET:DHCPBOOTP ON sets the oscilloscope to search for a DHCP or BOOTP server and assign a dynamic IP address to the oscilloscope.

ETHERnet:DNS:IPADDRESS

This command specifies the network Domain Name Server (Dns) IP address.

Group Ethernet

Syntax ETHERnet:DNS:IPADDRESS <QString>
ETHERnet:DNS:IPADDRESS?

Arguments <QString> is a standard IP address value, enclosed in quotes.

Examples ETHERNET:DNS:IPADDRESS "128.196.13.352" sets the Dns IP address that the oscilloscope uses to communicate with the network.

ETHERnet:DOMAINname

This command specifies the network domain name.

Group Ethernet

Syntax ETHERnet:DOMAINname <Qstring>
ETHERnet:DOMAINname?

Arguments <QString> is the network domain name, enclosed in quotes.

Examples ETHERNET:DOMAINNAME "Alpha1.Mycorp.com" sets the domain name that the oscilloscope uses to communicate with the network.

ETHERnet:ENET:ADDRESS? (Query Only)

Returns the Ethernet address value assigned to the oscilloscope. This is assigned at the factory and can not be changed.

Group Ethernet

Syntax ETHERnet:ENET:ADDRESS?

Examples ETHERNET:ENET:ADDRESS? returns an Ethernet address such as 08:00:11:01:02:03

ETHERnet:GATEWay:IPADDRESS

This command specifies the remote interface gateway IP address.

Group Ethernet

Syntax ETHERnet:GATEWay:IPADDRESS <QString>
ETHERnet:GATEWay:IPADDRESS?

Related Commands [ETHERnet:NETWORKCONFig](#), [ETHERnet:IPADDRESS](#), [ETHERnet:SUBNETMask](#)

Arguments <QString> is a standard IP address value, enclosed in quotes.

Examples ETHERNET:GATEWAY:IPADDRESS "128.143.16.1" sets the gateway IP address.

ETHERnet:HTTPPort

This command specifies the remote interface HTTP port value.

Group Ethernet

Syntax ETHERnet:HTTPPort <QString>
ETHERnet:HTTPPort?

Arguments <QString> is an integer port number, enclosed in quotes.

NOTE. Consider the following if you are using the e*Scope™ control software. If you don't enter a port address in the URL, then the ETHERnet:HTTPPort value must be set to "80", which is the default port for HTTP protocol. If you use a URL with a port address (for example: <http://DPO4104B-04WKL4:1234>), the port number is specified by the number after the colon. Set the ETHERnet:HTTPPort value to this same number.

Examples ETHERNET:HTTPPORT "80" sets the HTTP port value to 80.

ETHERnet:IPADDRESS

This command specifies the IP address assigned to the oscilloscope.

Group Ethernet

Syntax ETHERnet:IPADDRESS <QString>
ETHERnet:IPADDRESS?

Related Commands [ETHERnet:NETWORKCONFig](#),
[ETHERnet:SUBNETMask](#),
[ETHERnet:GATEWay:IPADDRESS](#)

Arguments <QString> is a standard IP address value, enclosed in quotes.

Examples ETHERNET:IPADDRESS "123.121.13.214" sets the oscilloscope's IP address.

ETHERnet:LXI:LAN:PASSWord:ENABLE

This command controls whether LXI (LAN eXtensions for Instrumentation) is password protected.

Group Miscellaneous

Syntax `ETHERnet:LXI:LAN:PASSWORD:ENABLe {0|1|ON|OFF}`
`ETHERnet:LXI:LAN:PASSWORD:ENABLe?`

Related Commands [ETHERnet:LXI:LAN:PASSWORD:ESCOPEENABLE](#), [ETHERnet:PASSWORD](#)

Arguments 0, OFF — turns off the LXI password feature. This is the default.
 1, ON — turns on the LXI password feature.

Examples `ETHERnet:LXI:LAN:PASSWORD:ENABLe ON` turns on the LXI password feature.
`ETHERnet:LXI:LAN:PASSWORD:ENABLe?` might return 1, indicating that this feature is turned on.

ETHERnet:LXI:LAN:PASSWORD:ESCOPEENABLE

This command controls whether to use the LXI password for e*Scope (effectively equal to enabling password protection for e*Scope). With e*Scope, you can access any Internet-connected MSO/DPO4000B or MDO4000 Series Oscilloscope from a web browser.

Group Miscellaneous

Syntax `ETHERnet:LXI:LAN:PASSWORD:ESCOPEENABLe {0|1|ON|OFF}`
`ETHERnet:LXI:LAN:PASSWORD:ESCOPEENABLe?`

Related Commands [ETHERnet:PASSWORD](#),
[ETHERnet:LXI:LAN:PASSWORD:ENABLE](#)

Arguments 0, OFF turns off the LXI password feature for e*Scope. This is the default.
 1, ON turns on the LXI password feature for e*Scope.

Examples `ETHERnet:LXI:LAN:PASSWORD:ESCOPEENABLe ON` turns on the LXI password feature for e*Scope.
`ETHERnet:LXI:LAN:PASSWORD:ESCOPEENABLe?` might return 1, indicating that this feature is turned on.

ETHERnet:LXI:LAN:RESET (No Query Form)

This command resets the LXI local area network. The items which this command reset include: DHCP/BOOTP, mDNS and DNS-SD, e*Scope password protection, LXI password protection, and e*Scope and LXI password.

Group Miscellaneous

Syntax ETHERnet:LXI:LAN:RESET

Examples ETHERnet:LXI:LAN:RESET resets the LXI local area network.

ETHERnet:LXI:LAN:SERVICENAME

This command specifies the mDNS service name used for the LXI interface.

Group Miscellaneous

Syntax ETHERnet:LXI:LAN:SERVICENAME QString
ETHERnet:LXI:LAN:SERVICENAME?

Arguments QString is a quoted string of up to 64 characters that specifies the mDNS service name used for the LXI interface.

Examples ETHERnet:LXI:LAN:SERVICENAME? might return "Tektronix Oscilloscope MSO4104B 053CVV"

ETHERnet:LXI:LAN:STATus? (Query Only)

This query returns the LXI network status.

Group Miscellaneous

Syntax ETHERnet:LXI:LAN:STATus?

Related Commands [ETHERnet:PING](#),
[ETHERnet:PING:STATus?](#)

Returns OK — indicates the network is running and the oscilloscope can “see” the network.
FAULT — indicates the network is not visible, or the network settings are incorrect.
IDENTIFY indicates that a message is being displayed on the oscilloscope’s front panel indicating which scope the user is currently accessing.

Examples ETHER:LXI:LAN:STAT? might return FAULT, indicating the network is not visible, or the network settings are incorrect.

ETHERnet:NAME

This command specifies the network name assigned to the oscilloscope.

Group Ethernet

Syntax ETHERnet:NAME <QString>
ETHERnet:NAME?

Arguments <QString> is the network name assigned to the oscilloscope, enclosed in quotes.

Examples ETHERnet:NAME “labcscope1” sets the oscilloscope's network name.

ETHERnet:NETWORKCONFig

This command specifies the Ethernet network configuration setting. The default is automatic.

Group Miscellaneous

Syntax ETHERnet:NETWORKCONFig {AUTOMATIC|MANUAL}
ETHERnet:NETWORKCONFig?

Related Commands [ETHERnet:NAME](#),
[ETHERnet:IPADDRESS](#),
[ETHERnet:SUBNETMASK](#),
[ETHERnet:GATEWAY:IPADDRESS](#),
[ETHERnet:DHCPBOOTP](#)

Arguments `AUTOMATIC` specifies that the oscilloscope's IP address, subnet mask and gateway settings will be received from a DHCP server on the local network.

`MANUAL` specifies that the Ethernet settings will be configured manually, using [ETHERnet:IPADdRESS](#), [ETHERnet:SUBNETMask](#), and [ETHERnet:GATEWay:IPADdRESS](#).

Examples `ETHERnet:NETWORKCONFIg MANUAL` specifies to configure the Ethernet settings manually.

`ETHERnet:NETWORKCONFIg?` might return `AUTOMATIC`, indicating the settings are being configured automatically.

ETHERnet:PASSWord

This command specifies the HTTP Ethernet access password. If a password is set, the user must enter the password before the user's Web browser can access the oscilloscope.

Group Ethernet

Syntax `ETHERnet:PASSWord <new>`
`ETHERnet:PASSWord?`

Related Commands [ETHERnet:LXI:LAN:PASSWord:ENABLE](#),
[ETHERnet:LXI:LAN:PASSWord:ESCOPEENABLE](#)

Arguments `<new>` is a new password, enclosed in quotes.

Examples `ETHERNET:PASSWORD "ZEN53"` replaces the current Ethernet password with the new password `ZEN53`.

`ETHERNET:PASSWORD?` might return `:ETHERNET:PASSWORD "ZEN53"`.

ETHERnet:PING (No Query Form)

Causes the oscilloscope to ping the gateway IP address.

Group Ethernet

Syntax ETHERnet:PING EXECute

Examples ETHERNET:PING EXECUTE causes the oscilloscope to ping the gateway IP address.

ETHERnet:PING:STATUs? (Query Only)

Returns the results from sending the [ETHERnet:PING](#) command to ping the gateway IP address.

Group Ethernet

Syntax ETHERnet:PING:STATUs?

Returns OK is returned if the computer at the gateway IP address answers.
NORESPONSE is returned if the computer at the gateway IP address does not answer.
INPROGRESS is returned if the ping operation is still executing.
NEVER is returned if ETHERnet:PING EXECute has not been previously sent, indicating that no ping response has ever been received in response to an ETHERnet:PING EXECute command since the instrument was powered on.

ETHERnet:SUBNETMask

This command specifies the remote interface subnet mask value.

Group Ethernet

Syntax ETHERnet:SUBNETMask <QString>
ETHERnet:SUBNETMask?

Related Commands [ETHERnet:NETWORKCONFig](#),
[ETHERnet:IPADDRESS](#),
[ETHERnet:GATEWay:IPADDRESS](#)

Arguments <QString> is the subnet mask value, enclosed in quotes.

Examples ETHERNET:SUBNETMASK "255.255.255.0" sets the subnet mask value using standard IP address notation format.

EVENT? (Query Only)

Returns an event code from the Event Queue that provides information about the results of the last *ESR? read. EVENT? also removes the returned value from the Event Queue.

Group Status and Error

Syntax EVENT?

Related Commands ALLEv?, *CLS, DESE, *ESE, *ESR?, EVMsg?, *SRE, *STB?

Examples EVENT? might return: EVENT 110, showing that there was an error in a command header. (See page 3-13, *Messages*.)

EVMsg? (Query Only)

Removes a single event code from the Event Queue that is associated with the results of the last *ESR? read and returns the event code along with an explanatory message. For information, see Event Handling.

Group Status and Error

Syntax EVMsg?

Related Commands ALLEv?
*CLS, DESE, *ESE, *ESR?, EVENT?, *SRE, *STB?

Returns The event code and message in the following format:
 <Event Code><Comma><QString>[<Event Code><Comma><QString>...]<QString>::= <Message>;[<Command>] where <Command> is the command that caused the error and may be returned when a command error is detected by the oscilloscope. As much of the command will be returned as possible without exceeding the 60 character limit of the <Message> and <Command> string combined. The command string is right-justified.

Examples EVMSG? might return: EVMSG 110, "Command header error".

EVQty? (Query Only)

Returns the number of event codes in the Event Queue. This is useful when using the [ALLEv?](#) query, which returns the exact number of events.

Group Status and Error

Syntax EVQty?

Related Commands [ALLEv?](#), [EVENT?](#), [EVMsg?](#)

Examples EVQTY? might return :EVQTY 3, indicating the number of event codes in the Event Queue.

FACTory (No Query Form)

Resets the oscilloscope to its factory default settings.

This command does the following:

- Clears the Event Status Enable Register
- Clears the Service Request Enable Register
- Sets the Device Event Status Enable Register to 255
- Purges all defined aliases
- Enables all Command Headers
- Sets the macro defined by *DDT to a "zero-length field"
- Clears the pending operation flag and associated operations

This command does not reset the following:

- Communication settings
- Selected GPIB address.
- State of the VXI-11 (Ethernet IEEE Std 488.2) interface.
- Calibration data that affects device specifications
- Protected user data
- Stored settings
- Power On Status Clear Flag
- Oscilloscope password

Group Save and Recall

Syntax FACTory

Related Commands [*PSC](#), [*RCL](#), [RECALL:SETUp](#), [*RST](#), [*SAV](#), [SAVE:SETUp](#)

Arguments None

Examples FACTORY resets the oscilloscope to its factory default settings.

FILESystem? (Query Only)

Returns the directory listing of the current working directory and the number of bytes of free space available. This query is the same as the [FILESystem:DIR?](#) query and the [FILESystem:FREESpace?](#) query.

Group File System

Syntax FILESystem?

Related Commands [FILESystem:CWD](#),
[FILESystem:DELEte](#),
[FILESystem:DIR?](#),
[FILESystem:REName](#)

Arguments None.

Examples FILESYSTEM? might return

```
: FILESYSTEM:DIR
"tek00000.bmp", "elusiveGlitch1.png", "TEMP.TMP",
"file1.wfm", "file2.wfm", "MATH1.wfm", "
REF1.wfm", "REF2.wfm";FREESPACE 30212096
```

FILESystem:COpy (No Query Form)

This command copies a named file to a new file. The new file may be in a totally separate directory than the old file. You can only copy one file at a time using this command. Wild card characters are not allowed.

Group File System

Syntax FILESystem:COpy {<source QString>,<destination QString>}

Related Commands [FILESystem:CWD](#),
[FILESystem:DELEte](#)

Arguments QString is a quoted string that defines the file name and path. If the file path is within the current working directory, you need only specify the file name.

Examples FILESYSTEM:COpy
 "E:/myTestData/tek00001.isf", "I:/archive/tek00001.isf" copies the file named TEK00001.SET, located in the /myTestData/ directory on the E: drive to a file named TEK00001.SET in the /archive/ directory on the I: drive. Note that I: is a mounted drive.

FILESystem:CWD

This command specifies the current working directory (CWD) for FILESystem commands. The default working directory is "D:". Anytime you use this command to change the directory, the directory that you specify is retained as the current working directory until you either change the directory or you delete the directory. If you delete the current working directory, the oscilloscope resets current working directory to the default directory (D:) the next time the oscilloscope is powered on or the next time you execute a file system command.

This command supports the permutations of file and directory names supported by Microsoft Windows:

- Relative path names; for example, "./Temp"
- Absolute path names; for example, "D:/MyWaveform"
- Implied relative path names; for example "newfile.txt" becomes "D:/TekScope/newfile.txt" if the current working directory is "D:/TekScope"

Group File System

Syntax FILESystem:CWD {<new working directory path>}

Arguments <new working directory path> is a quoted string that defines the current working; a directory name can be up to 128 characters.

Examples FILESYSTEM:CWD "D:/TekScope/images" sets the current working directory to images.

FILESYSTEM:CWD? might return

: FILESYSTEM:CWD "D:/TekScope/waveforms" indicating that the current working directory is set to Waveforms.

FILESystem:DELEte (No Query Form)

This command deletes a named file. If you specify a directory name, it will delete the directory and all of its contents, the same as the RMDir command. You can also specify the filename as *.* to delete all of the files in the current or specified directory.

Group File System

Syntax FILESystem:DELEte <file path>

Related Commands [FILESystem:CWD](#)
[FILESystem:RMDir](#)

Arguments <file path> is a quoted string that defines the file name and path. If the file path is within the current working directory, you need only specify the file name.

The argument *.* will delete all files and subdirectories within the current working directory.

Examples FILESYSTEM:DELETE "NOT_MINE.SET" deletes the file named NOT_MINE.SET from the current working directory.

FILESystem:DIR? (Query Only)

Returns a list of quoted strings. Each string contains the name of a file or directory in the current working directory.

Group File System

Syntax FILESystem:DIR?

Related Commands [FILESystem:CWD](#),
[FILESystem:MKDir](#)

Arguments None

Returns FILESystem:DIR? returns a list of files and directories in the current working directory.

Examples FILESYSTEM:DIR? might return
:FILESYSTEM:DIR
"tek00000.png", "my_CAN_setup.set", "savedwfm1.isf", "myImages"

FILESystem:FORMat (No Query Form)

Formats a mass storage device. This command should be used with extreme caution as it causes all data on the specified mass storage device to be lost. Drive letters (e.g., E:) are case sensitive and must be upper case. For all other FILESYSTEM commands, drives letters are not case sensitive. Example:
FILES:FORMAT "E:/" Formats the USB flash drive installed in the oscilloscope's front panel USB port.

Group File System

Syntax	<code>FILESystem:FORMat</code>
Arguments	<drive name> is a quoted string that defines the disk drive to format.
Examples	<code>FILESYSTEM:FORMAT "E:/"</code> Formats the USB flash drive installed in the oscilloscope's front panel USB port.

FILESystem:FREESpace? (Query Only)

Returns the number of bytes of free space on the current drive.

Group	File System
Syntax	<code>FILESystem:FREESpace?</code>
Related Commands	FILESystem:FREESpace? , FILESystem:CWD

FILESystem:LDIR? (Query Only)

Returns a semicolon separated list of every file and directory in the folder referred to by the [FILESystem:CWD](#) command. This is different than the [FILESystem:DIR?](#) query in that it provides a long output format with the file size, type, and modification date/time. Each entry is a semicolon separated list:

<file name>;<type DIR or FILE>;<size in bytes>;<date>;<time>

Group	File System
Syntax	<code>FILESystem:LDIR?</code>
Related Commands	FILESystem:CWD , FILESystem:DIR?
Returns	A string of the form: <file name>;<type DIR or FILE>;<size in bytes>;<date>;<time>

Examples FILESYSTEM:LDIR? might return :FILESYSTEM:LDIR
 ". . ;DIR;4096;2007-06-22;14:13:43";"tek0000CH1.isf;FILE;
 20342;2009-05-21;13:58:24";"TEMP;DIR;4096;2009-09-15;06:20:44"

FILESystem:MKDir (No Query Form)

Creates a new folder.

Group File System

Syntax FILESystem:MKDir <directory path>

Related Commands [FILESystem:CWD](#), [FILESystem:DIR?](#), [FILESystem:MOUNT:DRive](#)

Arguments <directory path> is a quoted string that specifies the directory to create

Examples FILESYSTEM:MKDIR "D:/NewDirectory" creates the directory named *NewDirectory* at the root of the D drive.

These two commands create the directory *MyNewSubDirectory* within the existing directory *MyDirectory* at the root of the D drive:

```
FILESYSTEM:CWD "D:/MyDirectory"; FILESYSTEM:MKDIR  
"MyNewSubDirectory"
```

This, of course, assumes that *D:/MyDirectory* already existed and was not a read-only directory.

FILESystem:MOUNT:AVAILable? (Query Only)

This query returns a comma-separated list of available drive letters that can be used for mounting network drives.

Group File System

Syntax FILESystem:MOUNT:AVAILable?

Related Commands [FILESystem:CWD](#),
[FILESystem:MOUNT:DRive](#)

Examples FILESystem:MOUNT:AVAILable? might return I:,J:,K:,L:,M:,N:,O:,P:,Q:,R:,S:,T:,U:,V:,W:,X:,Y:,Z: specifying all available drive letters that can be used for mounting network drives.

FILESystem:MOUNT:DRive

This command attempts to mount the network drive specified by the quoted string argument. The query form takes a quoted string argument specifying the drive letter, and returns a Boolean to indicate whether the specified drive letter is mounted. 1 = mounted; 0 = not mounted. You can get the details of the mounted drives by querying [FILESystem:MOUNT:LIST?](#)

Group File System

Syntax FILESystem:MOUNT:DRive <Qstring>

Related Commands [FILESystem:MOUNT:LIST?](#),
[FILESystem:UNMOUNT:DRive](#)

Arguments Qstring is a semicolon separated list of fields described as follows:

Drive Name: The drive name to use, which should be a case insensitive single letter followed by a colon. The drive name must be a letter between 'I' and 'Z', inclusive. Drives A: through D: are not used and drives E: through H: are reserved for the USB host ports.

Server Identity: One of:

- DNS name of the server.
- IP address of the server.

Path: The path to be mounted; e.g. /this/that/mydir

User Name: The user name.

User Password: The user password.

NOTE. "User Name" and "User Password" are optional and are only used for mounts on Microsoft Windows networks.

Examples FILESystem:MOUNT:DRive
"I:;192.168.1.10;C\$;mywindowsusername;mywindowpassword"
would mount the shared C: drive on the Windows server at IP address

192.168.1.10, using the Windows login name mywindowsusername and the Windows password mywindowspassword.

FILESystem:MOUNT:LIST? (Query Only)

This query returns a comma-separated list of the mounted network drives, including the drive letter, server identity (DNS name or IP address), mount path and type. If no network drives are mounted, an empty string is returned. Mount types are either NFS or CIFS (for Microsoft Windows networks).

NOTE. *There are no new lines or white spaces in the returned string.*

Group File System

Syntax FILESystem:MOUNT:LIST?

Related Commands [FILESystem:UNMOUNT:DRive](#),
[FILESystem:MOUNT:DRive](#)

Examples FILESystem:MOUNT:LIST? might return
"X::network.xyz.com;/net/users/mike/home;NFS,;;winnet.xyz.com;/net
\users\fred\home;CIFS"

FILESystem:READFile (No Query Form)

Writes the contents of the specified file to the specified interface. If the specified file does not exist or is not readable, an appropriate error event is posted.

Group File System

Syntax FILESystem:READFile <QString>

Related Commands [FILESystem:CWD](#)

Arguments <QString> is a quoted string that defines the file name and path. If the file path is within the current working directory, specify only the file name.

Examples FILESYSTEM:READFILE "D:/test_data/tek00016CH1.csv" reads the content of the specified file, if the file exists and is readable, and sends the content of the file to the current interface.

FILESystem:REName (No Query Form)

Assigns a new name to an existing file.

Group File System

Syntax FILESystem:REName <old file path>,<new file path>

Related Commands [FILESystem:CWD](#)

Arguments <old file path> is a quoted string that defines the file name and path. If the file path is within the current working directory, you need only specify the file name.

<new file path> is a quoted string that defines the file name and path. If the file path is within the current working directory, you need only specify the file name.

Examples FILESYSTEM:RENAME "D:/TEK00000.SET", "D:/MYSETTING.SET" gives the file named TEK00000.SET the new name of MYSETTING.SET. The file remains in the root directory on the D drive.

FILESystem:RMDir (No Query Form)

Deletes a named directory. This command deletes the specified directory and all of its contents. The directory must not be a read-only directory.

Group File System

Syntax FILESystem:RMDir <directory path>

Related Commands [FILESystem:CWD](#)

Arguments <directory path> is a quoted string that defines the directory name and path. If the file path is within the current working directory, you need only specify the file name.

Examples `FILESYSTEM:RMDIR"D:/OldDirectory"` removes the directory named OldDirectory from the root of the D drive.

FILESystem:UNMOUNT:DRive (No Query Form)

This command attempts to un-mount the network drive specified by the quoted string argument.

Group File System

Syntax `FILESystem:UNMOUNT:DRive QString`

Related Commands [FILESystem:MOUNT:DRive](#), [FILESystem:MOUNT:LIST?](#)

Arguments QString is a quoted string that specifies which network drive to un-mount.

Examples `FILES:UNMOUNT:DRIVE "I:"` specifies to un-mount network drive I:.

FILESystem:WRITEFile (No Query Form)

Writes the specified block data to a file in the oscilloscope current working directory. If the specified file does not exist or is not readable, an appropriate error event is posted.

Group File System

Syntax `FILESystem:WRITEFile <file path>, <data>`

Related Commands [FILESystem:CWD](#)

Arguments <file path> is the quoted string that defines the file name and path. If the path is within the current working directory, specify the file name only.

<data> can be either DEFINITE LENGTH encoding or INDEFINITE LENGTH ARBITRARY BLOCK PROGRAM DATA encoding as described in IEEE488.2.

FPAnel:HOLD (No Query Form)

This command is used to emulate the button push-and-hold feature. Presently, only the Cursors button is supported by this command, even though any of the button enumerations described for `FPAnel:PRESS` are accepted. (When the Cursors button on the front panel is held, the cursor menu is displayed on screen.)

This command contains two arguments: a button, and an optional hold time.

Group Miscellaneous

Syntax `FPAnel:HOLD CURSor [, <NR1>]`

Related Commands [FPAnel:PRESS](#), [FPAnel:TURN](#)

Arguments `CURSor` — currently this is the only button supported by this command. If the hold time is not specified, it defaults to 1200 milliseconds. The range is 0 to 10,000 milliseconds. The system expects a minimum of 1 second to recognize a hold.

`<NR1>` (optional), an integer, is the hold time — ie. the time to emulate holding the button down before releasing it, in milliseconds. If the hold time is not specified, it defaults to 1200 milliseconds.

Examples `FPAnel:HOLD CURSor` — This simulates pressing and holding the CURSOR button for 1200 milliseconds.

FPAnel:PRESS (No Query Form)

Simulates the action of pressing a specified front-panel button.

When the front panel is locked, the front-panel button and multipurpose knob operations are suspended. The `FPAnel:PRESS` and the [FPAnel:TURN](#) commands will also not work. You can work around this by using the appropriate programmatic interface commands, instead of the front-panel commands.

Group Miscellaneous

Syntax `FPAnel:PRESS <button>`

Arguments <button> is the name of a front-panel button. Most of the argument names associate directly with their front panel buttons. For example, AUTOSet is for the Autoset button. The few commands that do not have obvious associations are listed below.

Table 2-46: FPanel:PRESS arguments

Argument	Description
ACQuire	Acquire button
AMPLitude	RF Ampl button
AUTOset	Autoset button
BACKSPace	Keypad Bksp button
BMENU<x>	Screen bottom menu buttons, where <x>=1 for the left-most bottom menu button and <x>=7 for the right-most bottom menu button
BW	RF BW (bandwidth) button
B<x>	Bus select buttons, where <x> = 1 through 4.
CH<x>	Channel select button, where <x>=1 for channel 1, <x>=2 for channel 2, and so on
CURsor	Cursors button
D15D0	D0–D15 button
DECimal	Keypad . button
DEFaultsetup	Default Setup button
ENTER	Keypad Enter button
FINe	Fine button
FORCetrig	Force Trig button
FREQspan	RF FREQ/SPAN button
HARDcopy	Hardcopy button
INTensity	Intensity button
KEYPAD0	Keypad 0 button
KEYPAD1	Keypad 1 button
KEYPAD2	Keypad 2 button
KEYPAD3	Keypad 3 button
KEYPAD4	Keypad 4 button
KEYPAD5	Keypad 5 button
KEYPAD6	Keypad 6 button
KEYPAD7	Keypad 7 button
KEYPAD8	Keypad 8 button
KEYPAD9	Keypad 9 button
MAGnify	Magnify (zoom) button (not the zoom/pan knob)
MARk	Mark Set/Clear button

Table 2-46: FPanel:PRESS arguments (cont.)

Argument	Description
MARKERs	RF Markers button
MATh	M button
MEASurement	Measure button
MENUOff	Menu Off button
NEXt	Next arrow button
PAUse	Play/pause button
PLUSMINUS	Keypad +/- button
PREv	Previous arrow button
REF	R button
RF	RF (radio frequency) button
RMENU<x>	Screen side menu buttons, where <x>=1 for the top-most side menu button and <x>=5 for the bottom-most side menu button
RUUnstop	Run/Stop button
SAVEBUtton	Save button
SAVERecall	Save/Recall Menu button
SEArch	Search button
SElect	Select button
SETTO50	Set to 50% button
SINGleseq	Single button
TEST	Test button
TRIGger	Trigger Menu button
UTILity	Utility button

Examples FPanel:PRESS AUTOSET executes the oscilloscope Autoset function.

FPanel:TURN (No Query Form)

Simulates the action of turning a specified front-panel control knob.

When the front panel is locked, the front-panel button and multipurpose knob operations are suspended. The **FPanel:PRESS** and **FPanel:TURN** commands will also not work, and, they will not generate an error. You can work around this by using the appropriate programmatic interface commands, instead of the front-panel commands. For example, to set the trigger level to 50%, you could use **TRIGGER:A SETLevel**. To force a trigger, you could use **TRIGGER FORCE**.

Group Miscellaneous

Syntax `FPANEL:TURN <knob> , <n>`

Arguments <knob> is the name of a rotating control.

A comma (,) separates the control knob argument from the numeric rotation value argument. You do not need a white space between the arguments and the comma.

<n> represents the rotation direction and magnitude of rotation. Negative values represent a counterclockwise knob rotation, and positive values represent a clockwise rotation. The magnitude of <n> specifies the amount of the turn, where <n> = 1 represents turning the knob one unit, <n> = 2 represents turning the knob two units, <n> = 4 represents turning the knob four units, and so on. The range of units depends on which front panel knob is specified.

Table 2-47: FPanel:TURN arguments

Argument	Description
GPKNOB1	Multipurpose a knob
GPKNOB2	Multipurpose b knob
HORZPos	Horizontal Position knob
HORZScale	Horizontal Scale knob
PANKNOB1	Outer pan knob
TRIGLevel	Trigger Level knob
VERTPOS<n>	Vertical Position knob
VERTSCALE<n>	Vertical Scale knob
ZOOM	Inner zoom knob

Examples `FPANEL:TURN TRIGLEVEL,10` duplicates turning the front-panel Trigger Level knob clockwise by 10 units.

GPIBUsb:ADDRESS? (Query Only)

Returns the current GPIB address setting for a connected TEK-USB-488 adaptor module.

Group Miscellaneous

Syntax `GPIBUsb:ADDRESS?`

GPIBUsb:ID? (Query Only)

Returns the identification string of the connected TEK-USB-488 adaptor module and firmware version. If a TEK-USB-488.2 module is not connected, the system returns “Not detected”.

Group Miscellaneous

Syntax GPIBUsb:ID?

HARDCopy (No Query Form)

Sends a hard copy of the screen display to the currently active printer using the current palette and layout settings.

Group Hard Copy

Syntax HARDCopy {START}

Related Commands [*WAI](#), [*CLS](#)

Arguments START sends a block of data representing the current screen image to the requested port. The data sent is in the image format specified by the [SAVe:IMAGe:FILEFormat](#) command and the compression level is controlled by the selected format (BMP and TIFF are uncompressed where as PNG is compressed). The [HARDCopy:INKSaver](#) determines whether the data sent is in InkSaver mode.

NOTE. *The Hardcopy command with no arguments is equivalent to pressing the “HardCopy” button on the front panel, when the data is sent to the printer. As there is no front panel equivalent of the HARDCOPY START, you can choose to save the images to a different location using the “SAVE” button.*

Examples HARDCOPY initiates a screen copy to the active printer.

HARDCopy:ACTIVEprinter

This command specifies the currently active printer. When a hard copy operation is performed, the output will be sent to this printer. One of two methods of

specifying the printer can be used: specifying an index value obtained from looking at the list of attached printers or by specifying the printer name.

Group Hard Copy

Syntax `HARDCopy:ACTIVEprinter {<NR1>|<name>}`
`HARDCopy:ACTIVEprinter?`

Arguments <NR1> is the index of the desired printer as returned from [HARDCopy:PRINTER:LIST?](#)

<name> is the name of the printer as specified in the printer list. This name is case sensitive and must be entered exactly as shown in the list.

HARDCopy:INKSaver

Changes hard copy output to print traces and graticule on a white background while retaining waveform color information (except for channel 1, which prints as dark blue because yellow does not show up well and is difficult to see on a white background). This option can significantly reduce print time and quantities of ink required compared with WYSIWYG dark background images.

Group Hard Copy

Syntax `HARDCopy:INKSaver?`

Arguments ON or <NR1> ≠ 0 sets the ink saver mode on.
 OFF or <NR1> = 0 sets the ink saver mode off.

Examples `HARDCOPY:INKSAVER ON` will cause subsequent hard copy output to display the screen on a white background.

HARDCopy:LAYout

This command specifies the page orientation for hard copy. If you set the layout to LANdscape, the printer will print hard copies in landscape mode where the long edge of the screen will print to the long edge of the sheet of paper. If you set the layout to PORTRait, the printer will print hard copies in portrait mode.

This command is not applicable for PictBridge hardcopies.

Group	Hard Copy
Syntax	HARDCopy:LAYout {PORTRait LANDscape} HARDCopy:LAYout?
Arguments	PORTRait orients the screen image vertically on the printed page. LANDscape orients the screen image horizontally on the printed page.
Examples	HARDCOPY:LAYOUT LANDSCAPE sets the hard copy page orientation to Landscape. HARDCOPY:LAYOUT? might return :HARDCOPY:LAYOUT PORTRAIT indicating that the hard copy page orientation is set to portrait.

HARDCopy:PREVIEW (No Query Form)

Displays a preview of the current screen contents with the InkSaver palette applied.

Group	Hard Copy
Syntax	HARDCopy:PREVIEW {ON OFF <NR1>}
Arguments	ON or <NR1> \neq 0 turns preview mode on. OFF or <NR1> = 0 turns preview mode off.

HARDCopy:PRINTer:ADD (No Query Form)

Adds a network printer to the list of available printers. All three arguments must be present, but only one of server name or server IP address may be specified. An empty string can be used for blank arguments.

Group	Hard Copy
Syntax	HARDCopy:PRINTer:ADD <name>,<server>,<address>
Arguments	<name> is the name of the network printer queue. <server> is the host name of the print (LPR) server.

<address> is the IP address of the print server.

HARDCopy:PRINTEr:DELEte (No Query Form)

Removes a network printer from the list of available printers. The printer name is case sensitive.

Group Hard Copy

Syntax HARDCopy:PRINTEr:DELEte <name>

Arguments <name> is the name of the printer to be deleted.

HARDCopy:PRINTEr:LIST? (Query Only)

Returns a list of currently attached printers.

Group Hard Copy

Syntax HARDCopy:PRINTEr:LIST?

HARDCopy:PRINTEr:REName (No Query Form)

Renames a network printer on the list of available printers, replacing the currently stored settings with the settings specified in this command. Four arguments must be present, but the arguments may be empty strings if the value for a field is to be deleted.

Group Hard Copy

Syntax HARDCopy:PRINTEr:REName
<name>, <new_name>, <new_server>, <new_address>

Arguments <name> is the name of the printer to be deleted.
<new_name> is the new name for this printer.
<new_server> is the new print server for this printer.
<new_address> is the new IP address for the server.

HEADer|:HDR

This command specifies the Response Header Enable State that causes the oscilloscope to either include or omit headers on query responses.

NOTE. *This command does not affect IEEE Std 488.2-1987 Common Commands (those starting with an asterisk); these commands never return headers. This command does affect the Response Header Enable State of both the USBTMC and VXI-11 interfaces. Refer to the Introduction for additional information.*

NOTE. *Refer to the Waveform Transfer Command Group text for more comprehensive information.*

Group Miscellaneous

Syntax HEADer|:HDR {OFF|ON|<NR1>}
HEADer|:HDR?

Related Commands [VERBose](#)

Arguments OFF sets the Response Header Enable State to false. This causes the oscilloscope to omit headers on query responses, so that only the argument is returned.

ON sets the Response Header Enable State to true. This causes the oscilloscope to include headers on applicable query responses. You can then use the query response as a command.

<NR1> = 0 sets the Response Header Enable State to false; any other value sets this state to true.

Examples HEADer|:HDR OFF specifies that the oscilloscope omits headers on query responses, so that only the argument is returned.

HEADer|:HDR? might return :HEADer 1 indicating that the oscilloscope is including headers on applicable query responses.

HIStogram? (Query Only)

This query-only query returns all histogram parameters; it queries the state of all histogram parameters that the user can set. This command is equivalent to selecting Waveform Histograms from the Measure menu.

Group	Histogram
Syntax	HISTogram?
Related Commands	MEASUrement:METHod
Examples	HISTOGRAM? might return the histogram parameters as :HISTOGRAM:BOXPCNT 30.0000,25.1000,70.0000,75.2000;DISPLAY LINEAR;STATE 1;FUNCTION VERTICAL;SIZE 2.0000;SOURCE CH1.

HISTogram:BOX

This command This command specifies the histogram box coordinates in terms of source waveform vertical and horizontal units.

Group	Histogram
Syntax	HISTogram:BOX <NR3>, <NR3>, <NR3>, <NR3> HISTogram:BOX?
Related Commands	HISTogram:BOXPent
Arguments	<p><NR3> is a floating point number that specifies the left position of the histogram box in source waveform horizontal units.</p> <p><NR3> specifies the top position of the histogram box in source waveform vertical units.</p> <p><NR3> specifies the right position of the histogram box in source waveform horizontal units.</p> <p><NR3> specifies the bottom position of the histogram box in source waveform vertical units.</p>
Examples	<p>HISTOGRAM:BOX 1E-9, 0.250, 2E-9, 0.500 defines the coordinates of the histogram box in source waveform coordinates.</p> <p>HISTOGRAM:BOX? might return :HISTOGRAM:BOX 1.0000E-09, 0.2500, 2.0000E-09, 0.5000, which identifies the coordinates of the histogram box in source waveform coordinates.</p>

HIStogram:BOXPcnt

This command This command specifies the histogram box coordinates in terms of percentages of the full screen extents of the source waveform. The arguments refer to the left (percent of the horizontal screen extent), top (percent of the vertical screen extent), right (percent of the horizontal screen extent), bottom (percent of the vertical screen extent). The valid range for these values is 0.0 to 100.0.

Group Histogram

Syntax HIStogram:BOXPcnt <NR2>, <NR2>, <NR2>, <NR2>
HIStogram:BOXPcnt?

Related Commands HIStogram:BOX

Arguments <NR3> is a floating point number that specifies the left position of the histogram box in percentage coordinates. The default value is 20%

<NR3> specifies the top position of the histogram box in percentage coordinates. The default value is 80%

<NR3> specifies the right position of the histogram box in percentage coordinates. The default value is 80%

<NR3> specifies the bottom position of the histogram box in percentage coordinates. The default value is 20%

Examples HISTOGRAM:BOXPCNT 30.0,25.0,70.0,75.0 sets the left boundary of the histogram box to 30% of the graticule (3 divisions from the left edge); the top boundary to 25% of the graticule ($0.25 \times 10 = 2.5$ divisions from the top edge); the right boundary to 70% of the graticule (7 divisions from the left edge); and the bottom boundary to 75% of the graticule ($0.75 \times 10 = 7.5$ divisions from the top edge).

HISTOGRAM:BOXPCNT? might return :HISTOGRAM:BOXPCNT
30.0000,25.1000,70.0000,75.2000.

HIStogram:COUNT (No Query Form)

This command (no query form) clears the count and statistics for the histogram and the histogram source data. If the histogram is on, then counting restarts.

Group Histogram

Syntax	HIStogram:COUNT RESET
Related Commands	HIStogram:BOX HIStogram:BOXPent
Arguments	RESET
Examples	HISTOGRAM:COUNT RESET clears the count and statistics for the histogram and the histogram source data.

HIStogram:DATA? (Query Only)

This query returns the histogram data when HIStogram:MODE is HORIZONTAL or VERTICAL. If the mode is OFF, then no data is returned and an error event is set.

The data values returned for this query represent the number of times the histogram source waveform samples were coincident with a particular histogram bin.

For vertical histograms, this query returns 256 values, representing the number of times the histogram source waveform samples were coincident with each of the 256 digitizing levels. Of these 256 values, the first 2 and last 3 are always 0, as they represent digitizing levels that fall above and beneath the waveform graticule, respectively.

For horizontal histograms, this query returns 1000 values, representing the number of times the histogram source waveform samples were coincident with each horizontal pixel column. The time of occurrence for each of the horizontal bins can be derived using the [HIStogram:START?](#) and [HIStogram:END?](#) queries.

Group	Histogram
Syntax	HIStogram:DATA?
Related Commands	HIStogram:BOX HIStogram:BOXPent HIStogram:COUNT HIStogram:DISplay HIStogram:MODE HIStogram:SOURce

VERTical for a value to be returned. If the mode is OFF, an error event is set and nothing is returned.

If the HISTogram:MODE is HORizontal, the value returned is the time of the right bin. If the HISTogram:MODE is VERTical the value returned is the vertical units value of the bottom bin. The returned value is an <NR3>.

Group	Histogram
Syntax	HISTogram:END?
Related Commands	HISTogram:MODE HISTogram:START?
Returns	<NR3>
Examples	HISTOGRAM:END? might return :HISTOGRAM:END 1.6000E-05 indicating that the last bin is at 16 μ s.

HISTogram:MODE

This command selects the type of histogram to create or disables the histogram display. The query form either returns the current histogram type or that the histogram display is disabled.

Group	Histogram
Syntax	HISTogram:MODE {HORizontal VERTical OFF} HISTogram:MODE?
Related Commands	HISTogram:DISplay
Arguments	HORizontal enables a horizontally positioned histogram that shows time distribution. VERTical enables a vertically positioned histogram that shows a voltage distribution, or another distribution such as amperes. OFF disables the collection of the histogram measurement.

Examples HISTOGRAM:MODE HORIZONTAL sets the type of histogram created to horizontal, which displays a horizontally positioned histogram that shows time distribution.

HISTOGRAM:MODE? might return :HISTOGRAM:MODE OFF, indicating that the histogram display is disabled.

HIStogram:SOUrce

This command sets or queries which source will be compared against the histogram box when the histogram testing is enabled.

Group Histogram

Syntax HIStogram:SOUrce {CH1|CH2|CH3|CH4|MATH|REF1|CH2|CH3|CH4}
HIStogram:SOUrce?

Related Commands [HIStogram:DISplay](#)

Arguments CH1-4> selects the analog channel waveform to use as the source for the histogram. The x variable can be expressed as an integer ranging from 1 through 4.

MATH selects the math waveform as the source for the histogram.

REF<1-4> selects a reference waveform as the source for the histogram. The x variable can be expressed as an integer ranging from 1 through 4.

Examples HISTOGRAM:SOURCE CH1 enables the Channel 1 waveform to be compared against the histogram box.

HISTOGRAM:SOURCE? might return :HISTOGRAM:SOURCE CH1, indicating that the waveform for Channel 1 is the source for the histogram.

HIStogram:STARt? (Query Only)

Returns the time (horizontal) or vertical units value (vertical) of the first bin where the histogram data starts. The [HIStogram:MODE](#) must be either `HORizontal` or `VERTical` for a value to be returned. If the mode is `OFF`, an error event is set and nothing is returned.

If the [HIStogram:MODE](#) is `HORizontal`, the value returned is the time of the left bin. If the [HIStogram:MODE](#) is `VERTical` the value returned is the vertical units value of the top bin. The returned value is an <NR3>.

Group	Histogram
Syntax	HISTogram:START?
Related Commands	HISTogram:END? HISTogram:MODE
Returns	<NR3> showing the returned value.
Examples	HISTOGRAM:START? might return :HISTOGRAM:START 2.0000E-06 indicating that the first bin is at 2 μ s.

HORizontal? (Query Only)

Returns all settings for the horizontal commands.

Group	Horizontal
Syntax	HORizontal?
Examples	HORIZONTAL? might return the following horizontal settings :HORIZONTAL:DELAY:MODE 1;TIME 0.0000;:HORIZONTAL:MAIN:SCALE 20.0000E-9;SAMPLERATE 5.0000E+9;UNITS "s";UNITS:STRING "s";:HORIZONTAL:SAMPLERATE 5.0000E+9;RECORDLENGTH 1000000

HORizontal:DELAy:MODE

This command specifies the horizontal delay mode.

Group	Horizontal
Syntax	HORizontal:DELAy:MODE {OFF ON <NR1>} HORizontal:DELAy:MODE?
Related Commands	HORizontal:POSition

Arguments OFF sets the Horizontal Delay Mode to off. This causes the HORIZONTAL:POSITION command to operate like the HORIZONTAL POSITION knob on the front panel.

ON sets the Horizontal Delay Mode to on. This causes the HORIZONTAL:DELAY:TIME command to operate like the HORIZONTAL POSITION knob on the front panel.

<NR1> = 0 sets the Horizontal Delay Mode to off; any other value sets this mode to on.

Examples HORIZONTAL:DELAY:MODE OFF sets the Horizontal Delay Mode to off, allowing the horizontal position command to operate like the HORIZONTAL POSITION knob on the front panel.

HORIZONTAL:DELAY:MODE? might return HORIZONTAL:DELAY:MODE OFF indicating that the Horizontal Delay Mode is off and that the horizontal position command operates like the HORIZONTAL POSITION knob on the front panel.

HORIZONTAL:DELAY:TIME

This command specifies the horizontal delay time (position) that is used when delay is on (the default mode).

Group Horizontal

Syntax HORIZONTAL:DELAY:TIME <NR3>
HORIZONTAL:DELAY:TIME?

Related Commands HORIZONTAL:POSITION

Arguments NR3 is the delay in seconds.

Examples HORIZONTAL:DELAY:TIME 0.3 sets the delay of acquisition data so that the resulting waveform is centered 300 ms after the trigger occurs.

HORIZONTAL:DIGITAL:RECORDlength:MAGNivu? (Query Only)

Returns the record length of the MagniVu digital acquisition.

Group Horizontal

Syntax `HORizontal:DIGital:RECOrdlength:MAGnivu?`

HORizontal:DIGital:RECOrdlength:MAIn? (Query Only)

Returns the record length of the main digital acquisition.

Group Horizontal

Syntax `HORizontal:DIGital:RECOrdlength:MAIn?`

HORizontal:DIGital:SAMPLERate:MAGnivu? (Query Only)

Returns the sample rate of the MagniVu digital acquisition.

Group Horizontal

Syntax `HORizontal:DIGital:SAMPLERate:MAGnivu?`

HORizontal:DIGital:SAMPLERate:MAIn? (Query Only)

Returns the sample rate of the main digital acquisition.

Group Horizontal

Syntax `HORizontal:DIGital:SAMPLERate:MAIn?`

HORizontal:POSition

This command specifies the horizontal position, in percent, that is used when delay is off. If Horizontal Delay Mode is turned off, this command is equivalent to adjusting the HORIZONTAL POSITION knob on the front panel. When Horizontal Delay Mode is on, this command stores a new horizontal position that is used when Horizontal Delay Mode is turned off.

Group Horizontal

Syntax `HORizontal:POSition <NR3>`
`HORizontal:POSition?`

Related Commands `HORizontal:DELay:TIME`

Arguments `<NR3>` is a floating point number that specifies the horizontal position expressed as the percentage of the waveform acquired before the trigger.

Examples `HORIZONTAL:POSITION 50` sets the horizontal position to 50%.
`HORIZONTAL:POSITION?` might return `:HORIZONTAL:POSITION 100` indicating that the horizontal position is set to 100%.

HORizontal:PREViewstate? (Query Only)

Returns a boolean value to indicate whether the display system is in the preview state.

Group Horizontal

Syntax `HORizontal:PREViewstate?`

Returns `<NR1> = 1` if the display system is in the preview state.
`<NR1> = 0` if the display system is not in the preview state.

HORizontal:RECOrdlength

Sets the horizontal record length. The query form of this command returns the current horizontal record length.

Group Horizontal

Syntax `HORizontal:RECOrdlength <NR1>`
`HORizontal:RECOrdlength?`

Arguments <NR1> represents the horizontal record length value.

NOTE. *The supported horizontal record length values for models MSO4104B-L, MSO4102B-L, DPO4104B-L, and DPO4102B-L are 1,000, 10,000, 100,000, 1M and 5M. The supported record length values for all other models are 1,000, 10,000, 100,000, 1M, 5M, 10M and 20M.*

Examples HORIZONTAL:RECORDLENGTH 10000 specifies that 10000 data points will be acquired for each record.

HORIZONTAL:RECORDLENGTH? might return :HORIZONTAL:RECORDlength 1000 indicating that the horizontal record length is equal to 1000 data points.

HORizontal:SCALE

This command specifies the time base horizontal scale.

Group Horizontal

Syntax HORIZONTAL:SCALE <NR3>
HORIZONTAL:SCALE?

Arguments <NR3> is a floating point number that specifies the range from 400 ps to 1000 s, depending on the record length.

Examples HORIZONTAL:SCALE 2E-6 sets the main scale to 2 μ s per division.

HORIZONTAL:SCALE? might return :HORIZONTAL:MAIN:SCALE 2.0000E-06 indicating that the main scale is currently set to 2 μ s per division.

ID? (Query Only)

Returns identifying information about the oscilloscope and related firmware.

Group Miscellaneous

Syntax ID?

Related Commands *IDN?

Examples ID? might return TEK/DPO4034B,CF:91.1CT,FV:v1.0000. This indicates the oscilloscope model number, configured format, and firmware version number.

*IDN? (Query Only)

Returns the oscilloscope identification code.

Group Miscellaneous

Syntax *IDN?

Related Commands [ID?](#)

Examples *IDN? might return :TEKTRONIX,DPO4034B,SN123456789,CF:91.1CT FV:v1.00000 indicating the oscilloscope model number, serial number, configured number, and firmware version number.

LANGUage

This command specifies the user interface display language. This command only affects the oscilloscope displayed language. Remote commands and their responses are always in English.

Group Miscellaneous

Syntax LANGUage
{ENGLISH|FRENCH|GERMAN|ITALIAN|SPANISH|PORTUGUESE|JAPANESE|KOREAN|RUSSIAN|SIMPLIFIEDCHINESE|TRADITIONALCHINESE}

LANGUage?

Examples LANGUAGE? might return :LANGUAGE ENGLISH.

LOCK

Enables or disables all front-panel buttons and knobs. There is no front panel equivalent.

When the front panel is locked, neither the [FPanel:PRESS](#) nor the [FPanel:TURN](#) commands will work. They will not generate an error event either. You can work

around this by using the appropriate programmatic interface commands, instead of the front-panel commands. For example, to set the trigger level to 50%, you could use TRIGger:A SETLevel. To force a trigger, you could use TRIGger FORCe.

Group	Miscellaneous
Syntax	LOCK {ALL NONE} LOCK?
Related Commands	UNLock
Arguments	ALL disables all front-panel controls. NONE enables all front-panel controls. This is equivalent to the UNLock ALL command.
Examples	LOCK ALL locks the front-panel controls. LOCK? might return :LOCK NONE indicating that the front-panel controls are enabled by this command.

*LRN? (Query Only)

Returns the commands that list the oscilloscope settings except for configuration information for the calibration values, the [WFMImpre?](#) query, and the [WFMOupre?](#) query. This query allows you to record or "learn" the current oscilloscope settings. You can use these commands to return the oscilloscope to the state it was in when you made the *LRN? query. This command is identical to the [SET?](#) Command.

Group	Miscellaneous
Syntax	*LRN?
Related Commands	SET?
Examples	*LRN? might return a long response, part of which could be as follows: :ACQUIRE:STOPAFTER RunSTOP;STATE 1;MODE SAMPLE;NUMENV INFINITE;NUMAVG 16;SAMPLINGMODE RT;:HEADER 1;:LOCK NONE;:LANGUAGE ENGLISH;:VERBOSE 1;:ALIAS:STATE 0;:DISPLAY:COLOR:PALETTE NORMAL;:DISPLAY:STYLE:DOTSONLY

```

0;:DISPLAY:PERSISTENCE 0.0000;CLOCK 1;GRATICULE
FULL;INTENSITY:WAVEFORM 30;GRATICULE 75;BACKLIGHT
HIGH;:HARDCOPY :INKSAVER OFF;LAYOUT LANDSCAPE;PREVIEW
0;:SAVE:IMAGE:FILEFORMAT BMP;:SAVE:WAVEFORM:FILEFORMAT
INTERNAL;:SAVE:ASSIGN:TYPE SETUP;:TRIGGER:A:MODE
AUTO;TYPE EDGE;LE VEL 20.0000E-3;LEVEL:CH1
20.0000E-3;CH2 0.0000;CH3 0.0000;CH4 0.0000;:TRIGGER:A:
UPPERTHRESHOLD:CH1 1.4000;CH2 800.0000E-3;CH3
800.0000E-3;CH4 800.0000E-3;:TRIGGER:A:LOWERTHRESHOLD:CH1
20.0000E-3;CH2 0.0000;CH3 0.0000;CH4 0.0000;:TRIGGER:A:H
OLDOFF:TIME 20.0000E-9;:TRIGGER:A:EDGE:SOURCE
CH1;COUPLING DC;SLOPE RISE;:TRIGGER:A:LOGIC:CLASS
SETHOLD;FUNCTION AND;THRESHOLD:CH1 20.0000E-3;CH2
0.0000;CH3 0.0000;CH4 0.0000;:TRIGGER:A:LOGIC:INPUT:CH1
X;CH2 X;CH3 X;CH4 X;CLOCK:SOURCE NONE; EDGE
RISE;:TRIGGER:A:LOGIC:PATTERN:INPUT:CH1 X;CH2
X;CH3 X;CH4 X;:TRIGGER:A:LOGIC:PATTERN:WHEN
TRUE;WHEN:LESSLIMIT 4.0000E-9;LIMIT
4.0000E-9;:TRIGGER:A:SETHOLD:CLOCK:SOURCE CH1;EDGE
RISE;THRESHOLD 20.0000E-3;:TRIGGER:A:SETHOLD:DATA:SOURCE
CH2;THRESHOLD 0.0000;:TRIGGER:A:SETHOLD:HOLDTIME
4.0000E-9;SETTIME 4.0000E-9; :TRIGGER:A:PULSE:CLASS
TRANSITION;:TRIGGER:A:PULSEWIDTH:SOURCE
CH1;POLARITY POSITIVE;WHEN LESSTHAN;WIDTH
4.0000E-9;:TRIGGER:A:RUNT:SOURCE CH1;POLARITY POSITIVE; WHEN
OCCURS;WIDTH 4.0000E-9;:TRIGGER:A:TRANSITION:SOURCE CH1
...

```

MARK

Moves to the next or previous reference mark on the waveform. Returns the current mark position.

Group Mark

Syntax MARK {NEXT|PREVIOUS}
MARK?

Arguments NEXT moves to the next reference mark on the right.
PREVIOUS moves to the next reference mark on the left.

MARK:CREATE (No Query Form)

Creates a mark on a specified waveform or all waveforms in a column.

Group Mark

Syntax MARK:CREATE {CH1|CH2|CH3|CH4|MATH|REF1
|REF2|REF3|REF4|B1|B2|B3|B4|REF1|REF2|REF3|REF4|DIGi ta l |
COLUMN|RF_AMP l i tude|RF_FREQUency|RF_PHASE}

Arguments CH<x> creates the mark on a channel waveform, where <x> is the channel number.
MATH creates the mark on the math waveform.
B<x> creates the mark on a bus waveform, where <x> is the bus number 1-4.
REF<x> creates the mark on a reference waveform, where <x> is the reference waveform number.
DIGi ta l creates the mark on a digital waveform. (An error will result if no digital channel is turned on.) (MSO/MDO models only.)
COLUMN creates marks on all waveforms in the current zoom pixel column.
RF_AMP l i tude|RF_FREQUency|RF_PHASE creates the mark on an RF time domain trace. (MDO4000 models only.)

MARK:DELEte (No Query Form)

This command deletes a mark on a particular waveform, all waveforms in a column, the selected mark, or all marks.

Group Mark

Syntax MARK:DELEte
{CH1|CH2|CH3|CH4|MATH|REF1|REF2|REF3|REF4|B1|B2|B3|B4|REF1|REF2|
REF3|REF4|DIGi ta l |COLUMN|SELECTED|ALL | |RF_AMP l i tude|RF_FREQUency|
RF_PHASE}

Arguments CH<x> deletes the mark on a channel waveform, where <x> is the channel number.
MATH deletes the mark on the math waveform.
B<x> deletes the mark on a bus waveform, where <x> is the bus number 1-4.
REF<x> deletes the mark on a reference waveform, where <x> is the reference waveform number.

DIGital deletes all marks on all digital channels. (MSO/MDO models only.)

RF_AMPli tude|RF_FREQUency|RF_PHASe deletes the mark on an RF time domain trace. (MDO4000 models only.)

COLUMN deletes marks on all waveforms in the current zoom pixel column.

MARK:FREE? (Query Only)

Returns how many marks are available for use. There can be a total of 1,024 marks returned.

Group Mark

Syntax MARK:FREE?

MARK:SAVEALL (No Query Form)

This command saves all current marks on waveforms in the time domain to the user search mark list in internal memory. (This is equivalent to pressing the "Save All Marks" button in the Search button menu on the front panel.) In order to retrieve the information, use the query form of [MARK:USERLIST](#).

Group Mark

Syntax MARK:SAVEALL TOUSER

Related Commands [MARK:USERLIST](#), [SEARCH:SEARCH<x>:LIST?](#)

MARK:SELEcted:END? (Query Only)

Returns the end of the selected mark, 0 to 100% of the waveform.

Group Mark

Syntax MARK:SELEcted:END?

MARK:SElected:FOCUS? (Query Only)

Returns the focus of the selected mark, 0 to 100% of the waveform.

Group Mark

Syntax MARK:SElected:FOCUS?

MARK:SElected:MARKSINCOLumn? (Query Only)

Returns the number of marks in the current zoom pixel column.

Group Mark

Syntax MARK:SElected:MARKSINCOLumn?

MARK:SElected:OWNer? (Query Only)

Returns the owner of the selected mark.

Group Mark

Syntax MARK:SElected:OWNer?

Returns <QString> is the owner of the mark.

Examples MARK:SELECTED:OWNER? might return: USER, SEARCH1

MARK:SElected:SOURCe? (Query Only)

Returns the source waveform for the selected mark.

Group Mark

Syntax MARK:SElected:SOURCe?

MARK:SELEcted:STARt? (Query Only)

Returns the starting point of the selected mark, 0 to 100% of the waveform.

Group Mark

Syntax MARK:SELEcted:STARt?

MARK:SELEcted:STATE? (Query Only)

Returns the on or off state of the selected mark. The selected mark is at or near the center of the screen. If you press the front-panel Set/Clear button, this mark will disappear.

Group Mark

Syntax MARK:SELEcted:STATE?

MARK:SELEcted:ZOOm:POSItion? (Query Only)

Returns the position of the selected mark, 0 to 100% of the zoom overview window.

Group Mark

Syntax MARK:SELEcted:ZOOm:POSItion?

MARK:TOTal? (Query Only)

Returns how many marks are currently in use. There can be a total of 1,024 marks returned.

Group Mark

Syntax MARK:TOTal?

MARK:USERLIST

The command creates a single user mark on a waveform in the time domain. The arguments consist of an enumeration specifying the source waveform, followed by 7 time mark parameters. You can create up to 1,024 marks. To save all the marks to memory, use the command `MARK:SAVEALL TOUSER`.

The query form retrieves a list of all user marks, separated by a semicolon. To retrieve the list of all system generated marks, use the command [SEARCH:SEARCH<x>:LIST?](#)

NOTE. *The search marks returned from the `MARK:USERLIST?` query are those marks saved to the internal user list of marks. The search marks returned by the `SEARCH:SEARCH:LIST?` query are the automatically generated system marks.*

Group Mark

Syntax `MARK:USERLIST`
`<Enum>, <NR3>, <NR3>, <NR3>, <NR3>, <NR3>, <NR3>, <NR3>`
`MARK:USERLIST?`

Related Commands [MARK:SAVEALL](#), [SEARCH:SEARCH<x>:LIST?](#)

Arguments The first argument <Enum> can be any one of the following source waveforms:

`CH<x>` — analog channels 1–4

`B<x>` — serial (if installed) or parallel bus 1–4

`MATH` — math waveform

`REF<x>` — reference waveforms 1–4

`D0 - D15` — digital channels 0 — 15 (MSO/MDO models only.)

`RF_AMP|itude|RF_FREQUENCY|RF_PHASE` — RF time domain traces (MDO models only.)

The next 7 <NR3> arguments are time mark parameters as follows:

`Start` — start value in percentage of record

`End` — end value in percentage of record

`Focus` — focus value in percentage of record

`X value` — horizontal value of the focus point in the mark's waveform units (This is ignored in the command form — use any value.)

Y value — vertical value of the focus point in the mark's waveform units
(This is ignored in the command form — use any value.)

Delta X value — always 0, since there is no time-domain reference mark.
(This is ignored in the command form — use any value.)

Delta Y value — always 0, since there is no time-domain reference mark.
(This is ignored in the command form — use any value.)

Returns If no user time marks have been set, the query returns
NONE,0.0E0,0.0E0,0.0E0,0.0E0,0.0E0,0.0E0,0.0E0.

Examples MARK:USERLIST
CH1,62.5000,62.5000,62.5000,0E+0,0E+0,0.0E+0,0.0E+0;USERLIST
CH1,79.5000,79.5000,79.5000,0E+0,0E+0,0.0E+0,0.0E+0 sets two
marks on the Channel 1 waveform.

MARK:USERLIST? might return
CH1,62.5000,62.5000,62.5000,5.0000E-6,infE-315,0.0E+0,0.0E+0;USERLIST
CH1,79.5000,79.5000,79.5000,11.8000E-6,infE-315,0.0E+0,0.0E+0, indicating
that two marks were set on the Channel 1 waveform.

MARKER:MANual

This command switches on or off the manual markers **a** and **b** that are available for frequency domain traces.

Two manual markers are available for measuring non-peak areas of interest. The absolute measurements are in dBm; the relative measurements (relative to the Reference Marker) are in dBc (dB relative to the carrier).

When the manual markers are turned off, and the peak markers are turned on, the Reference Marker is placed on the highest amplitude peak. With manual markers on, the Reference Marker is placed at the **a** manual marker. The manual markers use the units specified with the command [RF:UNIts](#).

Conditions MDO models only.

Group RF

Syntax MARKER:MANua1 {OFF|ON|0|1}
MARKER:MANua1?

Related Commands [MARKER:M<x>:AMPLitude:ABSolute?](#), [MARKER:M<x>:AMPLitude:DELTA?](#), [MARKER:M<x>:FREQuency:DELTA?](#), [MARKER:M<x>:FREQuency:ABSolute](#)

Arguments OFF or 0 turns the manual markers off.
ON or 1 turns the manual markers on.

Examples `MARKER:MANua1 1` turns on the manual markers.
`MARKER:MANua1?` might return 0, indicating that the manual markers are turned off.

MARKER:M<x>:AMPLitude:ABSolute? (Query Only)

This query returns the actual amplitude (vertical) value of either of the two manual markers that are available for frequency domain traces, in user-set units. M<x> can be either M1, which specifies manual marker **a**, or M2, which specifies manual marker **b**. (Use [RF:UNIts](#) to specify the units.)

Conditions MDO models only.

Group RF

Syntax `MARKER:M<x>:AMPLitude:ABSolute?`

Related Commands [MARKER:MANua1](#), [MARKER:M<x>:AMPLitude:DELTA?](#), [MARKER:M<x>:FREQuency:DELTA?](#), [MARKER:M<x>:FREQuency:ABSolute](#)

Examples `MARKER:M2:AMPLitude:ABSolute?` might return -1.0E+01, indicating a marker amplitude of -10 dBm.

MARKER:M<x>:AMPLitude:DELTA? (Query Only)

This query returns the delta amplitude (vertical) value of either of the two manual markers that are available for frequency domain traces, in relation to the Reference Marker. M<x> can be either M1, which specifies manual marker **a**, or M2, which specifies manual marker **b**.

NOTE. Querying the delta of M1 will always return 0, because M1 is always the Reference Marker when manual markers are turned on.

Conditions	MDO models only.
Group	RF
Syntax	MARKER:M<x>:AMPLitude:DELTA?
Related Commands	MARKER:MANual , MARKER:M<x>:AMPLitude:ABSolute? , MARKER:M<x>:FREQUENCY:DELTA? , MARKER:M<x>:FREQUENCY:ABSolute
Examples	MARKER:M2:AMPLitude:DELTA? might return $-5.0E+00$, indicating that marker b is -5 dBc below marker a , which is also the Reference Marker.

MARKER:M<x>:FREQUENCY:ABSolute

This command specifies the actual frequency (horizontal) value of either of the two manual markers that are available for frequency domain traces. M<x> can be either M1, which specifies manual marker **a**, or M2, which specifies manual marker **b**.

NOTE. Markers cannot be placed outside the frequency range defined by RF:START and RF:STOP.

Conditions	MDO models only.
Group	RF
Syntax	MARKER:M<x>:FREQUENCY:ABSolute <NR3> MARKER:M<x>:FREQUENCY:ABSolute?
Related Commands	MARKER:MANual , MARKER:M<x>:AMPLitude:ABSolute? , MARKER:M<x>:AMPLitude:DELTA? , MARKER:M<x>:FREQUENCY:DELTA?
Arguments	<NR3> is a floating point value that indicates the actual frequency of either of the two manual markers.

Examples `MARKER:M1:FREQUENCY:ABSOLUTE 1.50E+9` sets the absolute frequency value of manual marker **a** to 1.5 GHz.

`MARKER:M2:FREQUENCY:ABSOLUTE?` might return 1.50E+9, indicating that the absolute frequency value of manual marker **b** has been set to 1.5 GHz.

MARKER:M<x>:FREQUENCY:DELTA? (Query Only)

This query returns the delta frequency (horizontal) value of either of the two manual markers that are available for frequency domain traces, in relation to the Reference Marker. M<x> can be either M1, which specifies manual marker **a**, or M2, which specifies manual marker **b**.

The manual marker readouts use the units specified with the command [RF:UNITS](#).

NOTE. *Querying the delta of M1 will always return 0, because M1 is always the Reference Marker when manual markers are turned on.*

Conditions MDO models only.

Group RF

Syntax `MARKER:M<x>:FREQUENCY:DELTA?`

Related Commands [MARKER:MANUAL](#), [MARKER:M<x>:AMPLITUDE:ABSOLUTE?](#), [MARKER:M<x>:AMPLITUDE:DELTA?](#), [MARKER:M<x>:FREQUENCY:ABSOLUTE](#)

Examples `MARKER:M2:FREQUENCY:DELTA?` might return 1.00E+08, indicating that marker **b** is 100 MHz to the right of the Reference Marker.

MARKER:M<x>:NOISEDENSITY? (Query Only)

This command returns the noise density of the RF_NORMAL trace at the specified marker position in <RF Units>/Hz units, where <RF Units> are the units specified by the command [RF:UNITS](#).

Conditions MDO models only.

Group RF

Syntax `MARKER:M<x>:NOISEDensity?`

Related Commands [MARKER:MANual](#), [MARKER:M<x>:PHASENoise?](#)

Returns floating point number

Examples `MARKER:M2:NOISEDensity?` might return `-133.2350`, indicating noise density of `-133.2350` dBm/Hz at the marker position.

MARKER:M<x>:PHASENoise? (Query Only)

This command returns the phase noise of the RF_NORMAL trace at the specified marker position in dBc/Hz units.

Conditions MDO models only.

Group RF

Syntax `MARKER:M<x>:PHASENoise?`

Related Commands [MARKER:MANual](#), [MARKER:M<x>:NOISEDensity?](#)

Returns floating point number

Examples `MARKER:M2:PHASENoise?` might return `-60.1289`, indicating phase noise of `-60.1289` dBc/Hz at the marker position.

MARKER:PEAK:EXCURsion

This command specifies the peak excursion value, in dB, for the frequency domain trace automatic peak markers.

Peak excursion refers to how far an RF signal needs to fall in amplitude between marked peaks, in order to be considered another valid peak. If the peak excursion value is low, more peaks will tend to qualify as valid peaks and have associated markers. If the peak excursion value is high, fewer peaks will tend to qualify as valid peaks and have associated markers.

Conditions	MDO models only.
Group	RF
Syntax	MARKER:PEAK:EXCURsion <NR3> MARKER:PEAK:EXCURsion?
Related Commands	MARKER:PEAK:THReshold , MARKER:TYPE , MARKER:PEAK:STATE MARKER:PEAK:MAXimum
Arguments	<NR3> is a floating point number that specifies the automatic marker excursion value.
Examples	MARKER:PEAK:EXCURsion 30 sets the peak excursion value to 30 dB. MARKER:PEAK:EXCURsion? might return 30.0000, indicating a peak excursion value of 30 dB.

MARKER:PEAK:MAXimum

This command specifies the maximum number of frequency domain trace peaks that could have automatic markers placed on them. This can be a number between 1 and 11. The default is 5. To turn on the automatic peak markers, use the command [MARKER:PEAK:STATE](#). To list all of the peak markers, use the command [SEARCH:SPECTral:LIST?](#)

The actual number of automatic markers may be less than the maximum, depending on the threshold and excursion values and the spectral content of the RF signal.

If more peaks than the maximum are detected that meet the threshold and excursion criteria, only the highest amplitude peaks will have automatic markers placed on them.

Group	RF
Syntax	MARKER:PEAK:MAXimum <NR1> MARKER:PEAK:MAXimum?
Related Commands	MARKER:PEAK:STATE , MARKER:PEAK:EXCURsion , MARKER:PEAK:THReshold , MARKER:TYPE ,

Arguments <NR1> is an integer that represents the maximum number of peaks that could have automatic markers.

Examples `MARKER:PEAK:MAXimum 3` sets the maximum number of peaks that could have automatic markers to 3.

`MARKER:PEAK:MAXimum?` might return 11, indicating that the maximum number of peaks that should have automatic markers has been set to 11.

MARKER:PEAK:STATE

This command switches on or off the automatic peak markers that are available for frequency domain traces. There are up to 11 automatic markers. The maximum number of markers can be set using the command [MARKER:PEAK:MAXimum](#).

The automatic peak markers find amplitude peaks based upon user threshold and excursion settings (set with the [MARKER:PEAK:EXCURsion](#) and [MARKER:PEAK:THReshold](#) commands.)

Each automatic marker has a readout associated with it. These can be absolute or delta readouts (set with the [MARKER:TYPE](#) command.) To list all of the peak markers, use the command [SEARCH:SPECTral:LIST?](#)

Group RF

Syntax `MARKER:PEAK:STATE {OFF|ON|0|1}`
`MARKER:PEAK:STATE?`

Related Commands [MARKER:PEAK:MAXimum](#), [MARKER:PEAK:EXCURsion](#), [MARKER:PEAK:THReshold](#), [MARKER:TYPE](#)

Arguments OFF or 0 turns the automatic peak markers off.
 ON or 1 turns the automatic peak markers on.

Examples `MARKER:PEAK:STATE 1` turns the automatic peak markers on.

`MARKER:PEAK:STATE?` might return 0, indicating that automatic peak markers are turned off.

MARKER:PEAK:THReshold

This command specifies the threshold value of the automatic peak markers available for frequency domain traces. (Use the [RF:UNIts](#) command to specify the units.) Only peaks with an amplitude greater than the threshold value will qualify for automatic peak marker placement.

To set the excursion value for the automatic markers, use the command [MARKER:PEAK:EXCURsion](#). To switch the automatic marker readout between absolute and delta, use the command [MARKER:TYPE](#). To turn on and set the number of automatic markers, use the commands [MARKER:PEAK:STATE](#) and [MARKER:PEAK:MAXimum](#). To list all of the peak markers, use the command [SEARCH:SPECTral:LIST?](#)

Conditions	MDO models only.
Group	RF
Syntax	MARKER:PEAK:THResho1d <NR3> MARKER:PEAK:THResho1d?
Related Commands	MARKER:PEAK:EXCURsion , MARKER:TYPE , MARKER:PEAK:STATE , MARKER:PEAK:MAXimum
Arguments	<NR3> is a floating point number that indicates the automatic marker threshold value.
Examples	MARKER:PEAK:THResho1d -50 sets the automatic marker threshold to -50 dBm. MARKER:PEAK:THResho1d? might return -50.000, indicating that only peaks with an amplitude greater than -50 dBm will qualify for automatic peak marker placement.

MARKER:REFERence (No Query Form)

This command changes the Center Frequency to the frequency indicated by the Reference Marker, in effect moving the Reference Marker to the center of the screen. This applies when markers are turned on (using the command [MARKER:PEAK:STATE](#) or [MARKER:MANual](#)). This is equivalent to the '**R**' to **Center** side menu button in the front panel Markers menu.

Conditions	MDO models only.
Group	RF
Syntax	MARKER:REFERENCE CENTER
Examples	MARKER:REFERENCE CENTER moves the Reference Marker location to the center of the screen.

MARKER:REFERENCE:AMPLITUDE? (Query Only)

This query returns the actual amplitude (vertical) value of the Reference Marker in user-set units. This value indicates the absolute amplitude of the Reference Marker, regardless of whether the other markers are manual or automatic. This data is equivalent to the number that appears on the display next to the red R inside a triangle when markers are turned on. If all markers are turned off, the value returned will be the last value displayed.

Conditions	MDO models only.
Group	RF
Syntax	MARKER:REFERENCE:AMPLITUDE?
Related Commands	RF:UNITS
Examples	MARKER:REFERENCE:AMPLITUDE? might return -65.6218, indicating an amplitude value of -65.6218 dBm.

MARKER:REFERENCE:FREQUENCY? (Query Only)

This query returns the frequency of the Reference Marker, in Hz, when the frequency domain trace markers are on (using either the command [MARKER:PEAK:STATE](#) or [MARKER:MANUAL](#)). This data is equivalent to the number that appears on the display next to the red R inside a triangle when markers are on. If all markers are off, the value returned will be the last value displayed.

Conditions	MDO models only.
-------------------	------------------

Group	RF
Syntax	MARKER:REFERENCE:FREQUENCY?
Examples	MARKER:REFERENCE:FREQUENCY? might return 1.6830E+9.

MARKER:TYPE

This command specifies the marker type (either DELTA or ABSOLUTE). An absolute marker shows the frequency and amplitude at the location of the marker. A delta marker shows the frequency and amplitude of the marker relative to the Reference Marker. The Reference Marker shows the absolute frequency and amplitude, regardless of this command. The marker amplitude measurements are in dBm for absolute, or in dBc (dB below carrier amplitude) for delta.

Conditions	MDO models only.
Group	RF
Syntax	MARKER:TYPE {DELTA ABSOLUTE} MARKER:TYPE?
Related Commands	MARKER:PEAK:STATE , MARKER:PEAK:MAXIMUM , RF:UNITS
Arguments	<p>DELTA specifies to display the frequency and amplitude of the markers relative to the Reference Marker. The relative amplitude is in dBc (dB below carrier amplitude); the relative frequency is in Hz.</p> <p>ABSOLUTE specifies to display the actual frequency and amplitude of each marker. The absolute amplitude is in user-set units; the absolute frequency is in Hz.</p>
Examples	<p>MARKER:TYPE DELTA changes the marker type to delta.</p> <p>MARKER:TYPE? might return ABSOLUTE.</p>

MASK:COPY:SOURCE

This command specifies the mask that is to be copied to a user-defined custom mask. The specified mask is not copied until after the MASK:COPY:USER

command is executed. Note that in addition to a standard mask, `LIMit`, `USER` and `NONE` can also be specified.

A series of examples showing how to use mask commands for typical tasks is included in an appendix. (See page E-1, *Mask/Limit Command Sequence Examples*.)

Conditions This command requires a DPO4LMT application module.

Group Mask

Syntax `MASK:COpy:SOuRce`
`{DS1|DS1A|DS1C|DS2|DS3|DS4NA|DS4XNA|STS1PuLse|STS1Eye|STS3`
`|STSX3|CLOCKCoax|CLOCKSymmetriCal|DSOContra|DSODouble`
`|DSOSingle|DSOTiming|G703DS1|DS1Rate|DS2RATECoax`
`|DS2RATESymmetriCal|G703DS3|DS3Rate|E1Coax`
`|E1SymmetriCal|E2|E3|HST1|HST2|HST3|HST4|HST5|HST6|NONE|USER`
`|LIMit}`

`MASK:COpy:SOuRce?`

Related Commands [MASK:CUSTom](#)

[MASK:COpy:USER](#)

Arguments **ANSI T1.102:**

DS1 – DS1 1.544 Mb/s

DS1A – DS1A 2.048 Mb/s

DS1C – DS1C 3.152 Mb/s

DS2 – DS2 6.312 Mb/s

DS3 – DS3 44.736 Mb/s

DS4NA – DS4NA 139.26 Mb/s

DS4XNA – DS4NA Max Output 138.26 Mb/s

STS1PuLse – STS–1 Pulse 51.84 Mb/s

STS1Eye – STS–1 Eye 51.84 Mb/s

STS3 – STS–3 155.52 Mb/s

STSX3 – STS–3 Max Output 155.52 Mb/s

ITU-T:

CLOCKCoax – Clock Interface Coaxial Pair 2.048 Mb/s
CLOCKSymmetrical – Clock Interface Symmetrical Pair 2.048 Mb/s
DSOContra – DSO Data Contradirectional 64 kb/s
DSODouble – DSO Double 64 kb/s
DSOSingle – DSO Single 64 kb/s
DSOTiming – DSO Timing 64 kb/s
G703DS1 – DS1 G.703 1.544 Mb/s
DS1Rate – DS1 Old Rate 1.544 Mb/s
DS2RATECoax – DS2 Rate Coaxial Pair 6.312 Mb/s
DS2RATESymmetrical – DS2 Rate Symmetrical Pair 6.312 Mb/s
G703DS3 – DS3 G.703 44.736 Mb/s
DS3Rate – DS3 Old Rate 44.736 Mb/s
E1Coax – E1 Coaxial Pair 2.048 Mb/s
E1Symmetrical – E1 Symmetric Pair 2.048 Mb/s
E2 – E2 8.448 Mb/s
E3 – E3 34.368 Mb/s
USB:
HST1 – HS:T1 480 Mb/s
HST2 – HS:T1 480 Mb/s
HST3 – HS:T1 480 Mb/s
HST4 – HS:T1 480 Mb/s
HST5 – HS:T1 480 Mb/s
HST6 – HS:T1 480 Mb/s

In addition to the standard masks, **LIMIT**, **USER**, and **NONE** can be input as well.

Examples **MASK:COPY:SOURCE E1Coax** specifies that the source for a user-defined custom mask (to be created with the command **MASK:COPY:USER**) is to be a standard ITU-T E1 Coaxial Pair mask.

MASK:COPY:SOURCE? might return **NONE**, indicating that no source has been specified.

MASK:COpy:USER (No Query Form)

This creates a user-defined custom mask by making a copy of the source mask that was specified prior with the command [.MASK:COpy:SOUrce](#). The source mask could be a standard, limit or another custom mask.

A series of examples showing how to use mask commands for typical tasks is included in an appendix. (See page E-1, *Mask/Limit Command Sequence Examples*.)

Conditions This command requires a DPO4LMT application module.

Group Mask

Syntax MASK:COpy:USER

Related Commands [MASK:CUSTom](#)
[MASK:COpy:SOUrce](#)

Examples MASK:COpy:USER creates a user-defined custom mask from a copy of the source mask.

MASK:COUnT (No Query Form)

This command resets to zero the number of hits and failures for all mask segments.

A series of examples showing how to use mask commands for typical tasks is included in an appendix. (See page E-1, *Mask/Limit Command Sequence Examples*.)

Conditions This command requires a DPO4LMT application module.

Group Mask

Syntax MASK:COUnT RESET

Related Commands [MASK:COUnT:HITS?](#)
[MASK:COUnT:SEG<x>:HITS?](#)
[MASK:COUnT:FAILURES?](#)

Examples MASK:COUNT RESET resets to zero the number of hits and failures for all mask segments.

MASK:COUNT:FAILURES? (Query Only)

This query returns the number of pass/fail mask tests that have failed.

A series of examples showing how to use mask commands for typical tasks is included in an appendix. (See page E-1, *Mask/Limit Command Sequence Examples*.)

Conditions This command requires a DPO4LMT application module.

Group Mask

Syntax MASK:COUNT:FAILURES?

Related Commands [MASK:COUNT:HITS?](#)
[MASK:COUNT:SEG<x>:HITS?](#)

Returns Integer which represents the number of pass/fail mask tests that have failed.

Examples MASK:COUNT:FAILURES? might return :MASK:COUNT:FAILURES 3, showing that three tests have failed.

MASK:COUNT:HITS? (Query Only)

This query returns the sum of all hits in all mask segments.

A series of examples showing how to use mask commands for typical tasks is included in an appendix. (See page E-1, *Mask/Limit Command Sequence Examples*.)

Conditions This command requires a DPO4LMT application module.

Group Mask

Syntax MASK:COUNT:HITS?

Related Commands	MASK:COUNT MASK:COUNT:SEG<x>:HITS?
Returns	<NR1>
Examples	MASK:COUNT:TOTAL? might return :MASK:COUNT:TOTAL 150, showing 150 hits have occurred.

MASK:COUNT:SEG<x>:HITS? (Query Only)

This query returns the number of hits for the specified mask segment. There are up to 8 segments.

A series of examples showing how to use mask commands for typical tasks is included in an appendix. (See page E-1, *Mask/Limit Command Sequence Examples*.)

Conditions This command requires a DPO4LMT application module.

Group Mask

Syntax MASK:COUNT:SEG<x>:HITS?

Related Commands [MASK:COUNT:HITS?](#)
[MASK:COUNT](#)

Returns Integer, representing the number of hits in the mask segment.

Examples MASK:COUNT:SEG1:HITS? might return MASK:COUNT:SEG1:HITS 0, showing that there have been no hits to mask segment 1.

MASK:COUNT:TESTS? (Query Only)

This query returns the number of pass/fail mask tests that have occurred.

A series of examples showing how to use mask commands for typical tasks is included in an appendix. (See page E-1, *Mask/Limit Command Sequence Examples*.)

Conditions	This command requires a DPO4LMT application module.
Group	Mask
Syntax	<code>MASK:COUNT:TESTS?</code>
Related Commands	MASK:COUNT:HITS? MASK:COUNT
Returns	Integer that represents how many mask tests have occurred.
Examples	<code>MASK:COUNT:TESTS?</code> might return 50, showing that 50 mask tests have occurred.

MASK:COUNT:VIOLATIONS? (Query Only)

This query returns the number of test violations that have occurred in the current mask pass/fail test. A test violation occurs when any part of a waveform falls within any mask segment. The default is 0.

A series of examples showing how to use mask commands for typical tasks is included in an appendix. (See page E-1, *Mask/Limit Command Sequence Examples*.)

Conditions	This command requires a DPO4LMT application module.
Group	Mask
Syntax	<code>MASK:COUNT:VIOLATIONS?</code>
Related Commands	MASK:COUNT:TESTS? , MASK:COUNT:WAVEFORMS?
Returns	<NR1>
Examples	<code>MASK:COUNT:VIOLATIONS?</code> might return: 250 showing that 250 test violations have occurred.

MASK:COUNT:WAVEFORMS? (Query Only)

This query returns the number of waveforms that have been acquired and processed during pass/fail mask testing.

A series of examples showing how to use mask commands for typical tasks is included in an appendix. (See page E-1, *Mask/Limit Command Sequence Examples*.)

Conditions This command requires a DPO4LMT application module.

Group Mask

Syntax MASK:COUNT:WAVEFORMS?

Related Commands [MASK:COUNT:TESTS?](#),
[MASK:COUNT](#)

Returns Integer

Examples MASK:COUNT:WAVEFORMS? might return: 1,000, showing that 1,000 waveforms have been acquired and processed.

MASK:CUSTOm (No Query Form)

This command initializes a custom mask using a default triangle segment 1 mask (:MASK:CUSTOM INIT), or copies the currently active mask to the user-defined custom mask (:MASK:CUSTOM COPYActive).

NOTE. *When you create a custom mask, the horizontal position setting is converted from percent to time, and sets the trigosamp value. If you change trigosamp value after the mask has been displayed, the mask will be horizontally offset, and the segment x values recalculated. Note that the segment x values are the relative time between the trigger position and the mask point's x value.*

A series of examples showing how to use mask commands for typical tasks is included in an appendix. (See page E-1, *Mask/Limit Command Sequence Examples*.)

Conditions This command requires a DPO4LMT application module.

Group	Mask
Syntax	<code>MASK:CUSTOM {INIT COPYACTIVE}</code>
Related Commands	MASK:USER:AMPLITUDE , MASK:USER:WIDTH , MASK:MARGIN:PERCENT
Arguments	INIT sets the user-defined custom mask to its initialized state. COPYACTIVE copies the currently active mask to the user-defined custom mask.
Examples	<code>MASK:CUSTOM INIT</code> creates an initialized user-defined custom mask.

MASK:DISPLAY

This command controls whether a mask is displayed on the screen. This is useful for temporarily turning off masks without deleting them. This is equivalent to pushing the bottom bezel "Setup Mask" button, and then pushing the side bezel "Display Mask" button.

A series of examples showing how to use mask commands for typical tasks is included in an appendix. (See page E-1, *Mask/Limit Command Sequence Examples*.)

Conditions	This command requires a DPO4LMT application module.
Group	Mask
Syntax	<code>MASK:DISPLAY {ON OFF 1 0}</code> <code>MASK:DISPLAY?</code>
Related Commands	MASK:TEMPLATE:CREATEmask
Arguments	ON shows the mask on the display. This is the default value. OFF removes the mask from the display. 0 removes the mask from the display;

1 shows the mask on the display.

Examples MASK:DISPlay ON shows the mask on the display.
 MASK:DISPlay? might return 0, indicating that the mask is not being shown on the display.

MASK:LOCK

This command locks the mask to the source waveform so that any changes made to the horizontal and/or vertical scale settings of the waveform will redraw the mask segments in proportion. This feature is useful for expanding the horizontal and/or vertical settings in order to zoom in on waveforms and masks, and visually examine violation areas in more detail.

A series of examples showing how to use mask commands for typical tasks is included in an appendix. (See page E-1, *Mask/Limit Command Sequence Examples*.)

Conditions This command requires a DPO4LMT application module.

Group Mask

Syntax MASK:LOCK {ON|OFF|<NR1>}
 MASK:LOCK?

Related Commands [MASK:SOUrce](#)

Arguments ON turns on this feature, so that the mask is locked to the waveform.
 OFF turns off this feature.
 <NR1> = 0 turns off this feature. Any other value turns it on.

Examples MASK:LOCK? might return :MASK:LOCK 1, indicating that the mask lock to waveform mode is enabled.

MASK:MARgin:PERCent

Sets or returns the tolerance for the mask test. A positive value expands the mask and a negative margin shrinks the mask by the specified percentage.

A series of examples showing how to use mask commands for typical tasks is included in an appendix. (See page E-1, *Mask/Limit Command Sequence Examples*.)

Conditions This command requires a DPO4LMT application module.

Group Mask

Syntax MASK:MARGin:PERCent <NR3>
MASK:MARGin:PERCent?

Related Commands [MASK:CUSTom](#)
[MASK:USER:WIDth](#)

Arguments <NR3> is a floating point value that ranges from -50.0 to +50.0. The default is 5.

Examples MASK:MARGIN:PERCENT 25 sets the mask margin percentage to 25.
MASK:MARGIN:PERCENT? might return :MASK:MARGIN:PERCENT
1.00000000000E+001, indicating that the mask margin is set to 10%.

MASK:SOUrce

This command specifies the mask source waveform to be used during pass/fail mask testing. Must be one of CH1 through CH4.

NOTE. To ensure that Mask commands are enabled, use the command *APPLication:TYPE LIMITMask*.

A series of examples showing how to use mask commands for typical tasks is included in an appendix. (See page E-1, *Mask/Limit Command Sequence Examples*.)

Conditions This command requires a DPO4LMT application module.

Group Mask

Syntax MASK:SOURCE {CH1|CH2|CH3|CH4}
MASK:SOURCE?

Related Commands [MASK:LOCK](#)

Examples MASK:SOURCE CH2 sets the source waveform for the mask to channel 2.

MASK:STANDARD

This command replaces the existing mask, if any, with a specified standard mask. There are three categories of standard masks: ANSI T1.102, ITU-T, and USB.

A series of examples showing how to use mask commands for typical tasks is included in an appendix. (See page E-1, *Mask/Limit Command Sequence Examples*.)

NOTE. To ensure that Mask commands are enabled, use the command [APPLiCation:TYPE LIMITMask](#).

Conditions This command requires a DPO4LMT application module.

Group Mask

Syntax MASK:STANDARD
{DS1|DS1A|DS1C|DS2|DS3|DS4NA|DS4XNA|STS1Pulse|STS1Eye|STS3
|STSX3|CLOCKCoax|CLOCKSymmetrical|DS0Contra|DS0Double
|DS0Single|DS0Timing|G703DS1|DS1Rate|DS2RATECoax
|DS2RATESymmetrical|G703DS3|DS3Rate|E1Coax|E1Symmetrical
|E2|E3|HST1|HST2|HST3|HST4|HST5 |HST6|NONE |USER|LIMIT}

MASK:STANDARD?

Arguments **ANSI T1.102:**
DS1 – DS1 1.544 Mb/s
DS1A – DS1A 2.048 Mb/s
DS1C – DS1C 3.152 Mb/s
DS2 – DS2 6.312 Mb/s
DS3 – DS3 44.736 Mb/s
DS4NA – DS4NA 139.26 Mb/s

DS4XNA – DS4NA Max Output 138.26 Mb/s

STS1Pulse – STS-1 Pulse 51.84 Mb/s

STS1Eye – STS-1 Eye 51.84 Mb/s

STS3 – STS-3 155.52 Mb/s

STSX3 – STS-3 Max Output 155.52 Mb/s

ITU-T:

CLOCKCoax – Clock Interface Coaxial Pair 2.048 Mb/s

CLOCKSymmetrical – Clock Interface Symmetrical Pair 2.048 Mb/s

DSOContra – DSO Data Contradirectional 64 kb/s

DSODouble – DSO Double 64 kb/s

DSOSingle – DSO Single 64 kb/s

DSOTiming – DSO Timing 64 kb/s

G703DS1 – DS1 G.703 1.544 Mb/s

DS1Rate – DS1 Old Rate 1.544 Mb/s

DS2RATECoax – DS2 Rate Coaxial Pair 6.312 Mb/s

DS2RATESymmetrical – DS2 Rate Symmetrical Pair 6.312 Mb/s

G703DS3 – DS3 G.703 44.736 Mb/s

DS3Rate – DS3 Old Rate 44.736 Mb/s

E1Coax – E1 Coaxial Pair 2.048 Mb/s

E1Symmetrical – E1 Symmetric Pair 2.048 Mb/s

E2 – E2 8.448 Mb/s

E3 – E3 34.368 Mb/s

USB:

HST1 – HS:T1 480 Mb/s

HST2 – HS:T1 480 Mb/s

HST3 – HS:T1 480 Mb/s

HST4 – HS:T1 480 Mb/s

HST5 – HS:T1 480 Mb/s

HST6 – HS:T1 480 Mb/s

In addition to the standard masks, **LIMIT**, **USER**, and **NONE** can be input as well.

- Returns** `MASK:STANDARD?` returns one of the following:
- `NONE` indicates that the mask application is not active.
 - `USER` indicates one of the following:
 - the current mask has been recalled from a file or
 - the current mask has been created from scratch using the `MASK` commands or
 - the current mask has been created by modifying one of the built-in standard telecommunications masks.
 - `LIMIT` indicates that the mask is a limit test (template) mask.
 - `DS1`, etc. indicates that the current mask is one of the built-in standard masks.
- Examples** `MASK:STANDARD DSO Double` replaces the existing mask, if any, with a standard ITU-T DSO Double mask.
- `MASK:STANDARD?` might return `NONE`, indicating that the mask application is not currently active.

MASK:STOPOnviolation

This command stops the waveform acquisitions upon the first occurrence of a waveform violation. You can also specify an action to be performed when acquisitions are stopped by using the commands such as [MASK:TEST:SAVEWFM](#), [MASK:TEST:SAVEIMAGE](#), [MASK:TEST:AUXout:FAILure](#), [MASK:TEST:HARDCopy](#), or [MASK:TEST:SRQ:FAILure](#).

A series of examples showing how to use mask commands for typical tasks is included in an appendix. (See page E-1, *Mask/Limit Command Sequence Examples*.)

Conditions This command requires a DPO4LMT application module.

Group Mask

Syntax `MASK:STOPOnviolation {ON|OFF|<NR1>}`
`MASK:STOPOnviolation?`

Related Commands [MASK:TEST:SAVEWFM](#),
[MASK:TEST:SAVEIMAGE](#),
[MASK:TEST:AUXout:FAILure](#),

[MASK:TEST:HARDCopy](#),
[MASK:TEST:SRQ:FAILure](#)

Arguments ON stops waveform acquisition on the first occurrence of a mask violation.
 OFF turns this feature off.
 <NR1>=0 turns this feature off ; any other value turns it on.

Examples MASK:STOPONVIOLATION ON sets the instrument to stop waveform acquisition on the first occurrence of a waveform violation.
 MASK:STOPONVIOLATION? might return :MASK:STOPONVIOLATION ON, indicating that the waveform acquisitions will be stopped upon the first occurrence of a waveform violation.

MASK:TEMPLate:CREATEmask (No Query Form)

This command, used for limit mask testing, causes a template mask to be created based on the settings of the [MASK:TEMPLate:SOUrce](#), [MASK:TEMPLate:TOLerance:HORizontal](#), and [MASK:TEMPLate:TOLerance:VERTical](#) commands. If you do not specify horizontal or vertical tolerances, the default tolerance of one minor division will be used.

A series of examples showing how to use mask commands for typical tasks is included in an appendix. (See page E-1, *Mask/Limit Command Sequence Examples*.)

NOTE. To ensure that Mask commands are enabled, use the command *APPLication:TYpe LIMITMask*.

Conditions This command requires a DPO4LMT application module.

Group Mask

Syntax MASK:TEMPLate:CREATEmask

Related Commands [MASK:TEMPLate:SOUrce](#),
[MASK:TEMPLate:TOLerance:HORizontal](#),
[MASK:TEMPLate:TOLerance:VERTical](#),
[SAVe:MASK](#)

MASK:TEMPLate:SOURce

This command, typically used for limit mask testing, specifies the source waveform to be used to create a template mask. The source can be either one of four channels, or one of four saved reference waveforms. See the [SAVE:WAVEform](#) commands for more information on creating reference waveforms.

A series of examples showing how to use mask commands for typical tasks is included in an appendix. (See page E-1, *Mask/Limit Command Sequence Examples*.)

NOTE. To ensure that Mask commands are enabled, use the command *APPLication:TYPe LIMITMask*.

Conditions This command requires a DPO4LMT application module.

Group Mask

Syntax MASK:TEMPLate:SOURce {CH1|CH2|CH3|CH4|REF1|REF2|REF3|REF4}
MASK:TEMPLate:SOURce?

Related Commands [MASK:TEMPLate:CREATEmask](#),
[MASK:TEMPLate:TOLerance:HORizontal](#),
[MASK:TEMPLate:TOLerance:VERTical](#),
[SAVE:MASK](#)

MASK:TEMPLate:TOLerance:HORizontal

This command specifies the horizontal limit (tolerance) for a template mask to be used for limit testing. This indicates how far horizontally from the template source to create the mask.

A series of examples showing how to use mask commands for typical tasks is included in an appendix. (See page E-1, *Mask/Limit Command Sequence Examples*.)

Conditions This command requires a DPO4LMT application module.

Group Mask

Syntax	<code>MASK:TEMPLate:TOLerance:HORizonta1 <NR3></code> <code>MASK:TEMPLate:TOLerance:HORizonta1?</code>
Related Commands	MASK:TEMPLate:CREATEmask , MASK:TEMPLate:TOLerance:VERTical , SAVE:MASK
Arguments	<NR3> is a floating point value that specifies the horizontal limit (tolerance) in milli-divisions. Range: 0 to 500 mDiv, resolution: 1mDiv, default: 40mDiv. This value cannot be negative.
Examples	If you create a limit mask after a default setup, then query: <code>:MASK:TEMPLate:TOLerance:HORizonta1?</code> you get the response: 200.000E-3 Now send the commands: <code>:MASK:TEMPLate:TOLerance:HORizonta1 0.4</code> <code>:MASK:TEMPLate:CREATEmask</code> Notice that the horizontal gap in the mask is twice as tall.

MASK:TEMPLate:TOLerance:VERTical

This command specifies the vertical limit (tolerance) for a template mask to be used for limit testing. This indicates how far vertically from the template source to create the mask.

A series of examples showing how to use mask commands for typical tasks is included in an appendix. (See page E-1, *Mask/Limit Command Sequence Examples*.)

Conditions	This command requires a DPO4LMT application module.
Group	Mask
Syntax	<code>MASK:TEMPLate:TOLerance:VERTical <NR3></code> <code>MASK:TEMPLate:TOLerance:VERTical?</code>
Related Commands	MASK:TEMPLate:CREATEmask , MASK:TEMPLate:TOLerance:HORizonta1 , SAVE:MASK

Arguments <NR3> is a floating point value that specifies the vertical limit (tolerance) in milli-divisions. Range: 0 to 1000 mDiv, resolution: 1 mDiv, default: 40mDiv. This value cannot be negative.

Examples If you create a limit mask after a default setup, then query:

```
:MASK:TEMPLate:TOLerance:VERTical?
```

you get the response: 200.000E-3

Now send the commands:

```
:MASK:TEMPLate:TOLerance:VERTical 0.4
```

```
:MASK:TEMPLate:CREATEmask
```

Notice that the vertical gap in the mask is twice as tall.

MASK:TEST:AUXout:COMPLetion

This command will cause the instrument to send a TTL signal to the AUX:out port whenever a pass/fail mask test completes.

A series of examples showing how to use mask commands for typical tasks is included in an appendix. (See page E-1, *Mask/Limit Command Sequence Examples*.)

Conditions This command requires a DPO4LMT application module.

Group Mask

Syntax MASK:TEST:AUXout:COMPLetion {ON|OFF|<NR1>}
MASK:TEST:AUXout:COMPLetion?

Related Commands [MASK:TEST:STATE](#),
[MASK:TEST:COMPLetion:CRITerion](#),
[MASK:TEST:AUXout:FAILure](#)

Arguments ON turns on this feature, so that a signal is sent to the AUX:out port whenever a mask test status changes to 'Complete'.

OFF turns off this feature.

<NR1>=0 turns off this feature; any other value turns it on.

Examples MASK:TEST:AUXout:COMPLetion ON will send a TTL signal to the AUX:out port upon test completion.

MASK:TEST:AUXout:COMPLetion? might return 0, indicating that the instrument has not been set to send a TTL signal upon completion.

MASK:TEST:AUXout:FAILure

This command causes the instrument to send a TTL signal to the AUX:out port whenever a pass/fail mask test fails.

A series of examples showing how to use mask commands for typical tasks is included in an appendix. (See page E-1, *Mask/Limit Command Sequence Examples*.)

Conditions This command requires a DPO4LMT application module.

Group Mask

Syntax MASK:TEST:AUXout:FAILure {ON|OFF|<NR1>}
MASK:TEST:AUXout:FAILure?

Related Commands [MASK:TEST:STATE](#),
[MASK:TEST:COMPLetion:CRITERion](#),
[MASK:TEST:AUXout:COMPLetion](#)

Arguments ON turns on this feature, so that a signal is sent to the AUX:out port whenever a mask test status changes to 'failing'.

OFF turns off this feature.

<NR1>= 0 turns off this feature; any other value turns it on.

Examples MASK:TEST:AUXout:FAILure ON will send a TTL signal to the AUX:out port upon test failure.

MASK:TEST:AUXout:FAILure? might return 0, indicating that the instrument has not been set to send a TTL signal upon failure.

MASK:TEST:COMPLetion:CRITerion

This command specifies the criterion to be used (either by waveform or by time) for test completion during pass/fail mask testing.

A series of examples showing how to use mask commands for typical tasks is included in an appendix. (See page E-1, *Mask/Limit Command Sequence Examples*.)

Conditions This command requires a DPO4LMT application module.

Group Mask

Syntax MASK:TEST:COMPLetion:CRITerion {WAVEform|TIME}
MASK:TEST:COMPLetion:CRITerion?

Related Commands [MASK:TEST:STATE](#),
[MASK:TEST:WAVEform](#),
[MASK:TEST:TIME](#),
[MASK:TEST:THReshold](#)

Arguments WAVEform specifies that the test is to be considered complete when a specified number of waveforms has been tested. (The number of waveforms is specified using MASK:TEST:WAVEform (<NR1>|INFINite)).

TIME specifies that the test is to be considered complete when a specified amount of time has elapsed. (The amount of time is specified using MASK:TEST:TIME (<NR1>|INFINite)).

Examples Create a limit mask. The display should be a waveform inside a mask with no mask hits accumulating.

Now send the following commands:

```
MASK:TEST:COMPLetion:CRITerion WAVEform
```

```
MASK:TEST:WAVEform 10
```

```
MASK:TEST:STATE ON
```

Fairly quickly, the RunTest button should say OFF and the Show Results button should say Passed.

If you push the Show Results button, it should say Total Waveforms 10.

If instead you send:

mask:test:completion:criteria time

mask:test:time 10

mask:test:state on

The Run Test button should display ON for ten seconds, then display OFF. If you push the Show Results button, Elapsed time should display 10 S.

MASK:TEST:DElay

This command specifies the amount of time, in seconds, the instrument should wait after the start of pass/fail mask testing before it evaluates the waveforms. This command is useful if the test system requires some ‘settling’ time.

A series of examples showing how to use mask commands for typical tasks is included in an appendix. (See page E-1, *Mask/Limit Command Sequence Examples*.)

Conditions This command requires a DPO4LMT application module.

Group Mask

Syntax MASK:TEST:DElay <NR3>
MASK:TEST:DElay?

Related Commands [MASK:TEST:STATE](#), [MASK:TEST:TIME](#)

Arguments <NR3> is a floating point number that specifies the amount of time in seconds, to delay the start of the mask pass/fail test.

Examples MASK:TEST:DELAY 2.5 delays waveform evaluation by 2.5 seconds after the start of pass/fail testing.

MASK:TEST:DELAY? might return 5, indicating that the instrument has been set to wait 5 seconds after the start of a mask test before it evaluates the waveforms.

MASK:TEST:HARDCopy

This command will cause the instrument to generate a screen shot to the default printer as soon as a pass/fail mask test fails, using the current instrument hard copy settings. See [HARDCopy:ACTIVEprinter](#) and other Hardcopy commands for more information on accessing printer settings.

A series of examples showing how to use mask commands for typical tasks is included in an appendix. (See page E-1, *Mask/Limit Command Sequence Examples*.)

Conditions This command requires a DPO4LMT application module.

Group Mask

Syntax MASK:TEST:HARDCopy {ON|OFF|<NR1>}
MASK:TEST:HARDCopy?

Related Commands [MASK:TEST:STATE](#),
[HARDCopy:ACTIVEprinter](#)

Arguments ON turns on this feature, so that the instrument will generate a screen hard copy to the default printer upon failure.

OFF turns off this feature.

<NR1> = 0 turns off this feature; any other value turns it on.

Examples MASK:TEST:HARDCopy ON generates a screen shot to the default printer upon test failure.

MASK:TEST:HARDCopy? might return 0, indicating that the instrument is not set to generate a screen shot upon failure.

MASK:TEST:REPeat

This command causes the mask test cycle to continuously repeat upon the completion of the previous test cycle.

A series of examples showing how to use mask commands for typical tasks is included in an appendix. (See page E-1, *Mask/Limit Command Sequence Examples*.)

Conditions This command requires a DPO4LMT application module.

Group Mask

Syntax MASK:TEST:REPEAT {ON|OFF|<NR1>}
 MASK:TEST:REPEAT?

Related Commands [MASK:TEST:STATE](#),

Arguments ON turns on this feature, so that the mask test cycle repeats continuously upon the completion of the previous test cycle.

OFF turns off this feature.

<NR1> is an integer. 0 turns off this feature; any other integer turns it on.

Examples MASK:TEST:REPEAT ON causes the mask test cycle to continuously repeat.

MASK:TEST:REPEAT? might return 0, indicating that the mask test cycle is not set to continuously repeat.

MASK:TEST:SAVEIMAGE

This command causes the instrument to copy the screen image to a file on a USB mass storage device or a mounted network drive if a pass/fail mask test fails. See the command [FILESystem:MKDir](#) and other File System commands for more information on saving to a file.

A series of examples showing how to use mask commands for typical tasks is included in an appendix. (See page E-1, *Mask/Limit Command Sequence Examples*.)

Conditions This command requires a DPO4LMT application module.

Group Mask

Syntax MASK:TEST:SAVEIMAGE {ON|OFF|<NR1>}
 MASK:TEST:SAVEIMAGE?

Related Commands [MASK:TEST:STATE](#),
[FILESystem:MKDir](#)

Arguments ON turns on this feature, so that the screen image is copied to a specified file upon test failure.

OFF turns off this feature.

<NR1> is an integer. 0 turns off this feature; any other integer turns it on.

Examples MASK:TEST:SAVEIMAGE On copies a screen image to a file upon test failure.
 MASK:TEST:SAVEIMAGE? might return 0, indicating that the instrument is not set to copy a screen image to a file upon failure.

MASK:TEST:SAVEWFM

This command copies the waveform data from all active channels to a file on a flash memory device such as a USB stick or a network drive. See the command [FILESystem:MKDir](#) and other File System commands for more information on saving to a file.

A series of examples showing how to use mask commands for typical tasks is included in an appendix. (See page E-1, *Mask/Limit Command Sequence Examples*.)

Conditions This command requires a DPO4LMT application module.

Group Mask

Syntax MASK:TEST:SAVEWFM {ON|OFF|<NR1>}
 MASK:TEST:SAVEWFM?

Related Commands [MASK:TEST:STATE](#),
[FILESystem:MKDir](#)

Arguments ON turns on this feature, so that waveform data from all active channels is copied to files upon test failure.

OFF turns off this feature.

<NR1> is an integer. 0 turns off this feature; any other value turns it on.

Examples MASK:TEST:SAVEWFM ON sets the instrument to save the failing waveform data to a file.

MASK:TEST:SRQ:COMPLetion

This command causes the instrument to send an SRQ command when a pass/fail mask test completes. Use the command [MASK:TEST:COMPLetion:CRITerion](#) to specify criterion.

A series of examples showing how to use mask commands for typical tasks is included in an appendix. (See page E-1, *Mask/Limit Command Sequence Examples*.)

NOTE. NOTE: SRQ generation requires that the SRER ESB bit is 1 ([*SRE 32](#)) and the ESER OPC bit is 1 ([*ESE 1](#)).

Conditions	This command requires a DPO4LMT application module.
Group	Mask
Syntax	MASK:TEST:SRQ:COMPLetion {ON OFF <NR1>} MASK:TEST:SRQ:COMPLetion?
Related Commands	MASK:TEST:STATE , MASK:TEST:COMPLetion:CRITerion
Arguments	ON turns on this feature, so that upon the completion of a mask test, the instrument will send an SRQ command (if registers are set to send SRQ when OPC is asserted. (See page 3-1, <i>Registers</i> .) OFF turns off this feature. <NR1> is an integer. 0 turns off this feature; any other integer turns it on.
Examples	MASK:TEST:SRQ:COMPLetion ON sends an SRQ command upon test completion. MASK:TEST:SRQ:COMPLetion? might return 0, indicating the instrument is not set to send an SRQ command upon test completion.

MASK:TEST:SRQ:FAILure

This command causes the instrument to send an SRQ command when a pass/fail mask test fails.

A series of examples showing how to use mask commands for typical tasks is included in an appendix. (See page E-1, *Mask/Limit Command Sequence Examples*.)

Conditions This command requires a DPO4LMT application module.

Group Mask

Syntax MASK:TEST:SRQ:FAILure {ON|OFF|<NR1>}
MASK:TEST:SRQ:FAILure?

Related Commands [MASK:TEST:STATE](#),
[MASK:TEST:COMPLetion:CRITerion](#)

Arguments ON turns on this feature, so that when a mask test fails, the instrument will send an SRQ command (if registers are set to send SRQ when OPC is asserted. (See page 3-1, *Registers*)).

OFF turns off this feature.

<NR1> is an integer. 0 turns off this feature; any other integer turns it on.

Examples MASK:TEST:SRQ:FAILURE? might return :MASK:TEST:SRQ:FAILURE 1, indicating that the pass/fail SRQ on failure is turned on.

MASK:TEST:STATE

This command turns the pass/fail mask test on or off. Most of the other MASK:TEST commands need to be executed before this command..

NOTE. To ensure that Mask commands are enabled, use the command [APPLication:TYPE LIMITMask](#).

A series of examples showing how to use mask commands for typical tasks is included in an appendix. (See page E-1, *Mask/Limit Command Sequence Examples*.)

Conditions This command requires a DPO4LMT application module.

Group Mask

Syntax MASK:TEST:STATE {ON|OFF|<NR1>}
 MASK:TEST:STATE?

Related Commands [MASK:TEST:WAVEform](#)

Arguments ON turns the mask test on.
 OFF turns the mask test off.
 <NR1> is an integer. 0 turns the mask test off; any other integer turns it on.

Examples MASK:TEST:STATE ON starts the mask test.

MASK:TEST:STATus? (Query Only)

This command indicates the result of a pass/fail mask test.

A series of examples showing how to use mask commands for typical tasks is included in an appendix. (See page E-1, *Mask/Limit Command Sequence Examples*.)

Conditions This command requires a DPO4LMT application module.

Group Mask

Syntax MASK:TEST:STATus?

Related Commands [MASK:TEST:STATE](#),

Returns This query returns one of: OFF, DELAY, PASSING, FAILING, PASSED, or FAILED. When the violation count exceeds the violation threshold during the test, the status changes from PASSING to FAILING. When the test is complete, it changes from FAILING to FAILED.

Examples MASK:TEST:STAT? might return PASSED indicating the test passed and is complete.

MASK:TEST:STOP:FAILure

This command causes the instrument to stop acquiring data when a pass/fail mask test fails.

A series of examples showing how to use mask commands for typical tasks is included in an appendix. (See page E-1, *Mask/Limit Command Sequence Examples*.)

Conditions This command requires a DPO4LMT application module.

Group Mask

Syntax MASK:TEST:STOP:FAILure { |ON|OFF|<NR1>}
MASK:TEST:STOP:FAILure?

Related Commands [MASK:TEST:STATE](#),
[MASK:TEST:COMPLetion:CRITerion](#)

Arguments ON turns on this features, so that the instrument stops acquiring data upon failure.
OFF turns off this feature.
<NR1> is an integer. 0 turns off this feature; any other value turns it on.

Examples MASK:TEST:STOP:FAILure 1 stops data acquisition upon test failure.
MASK:TEST:STOP:FAILure? might return 0, indicating the instrument is not set to stop acquiring data upon test failure.

MASK:TEST:THReshold

This command specifies the number of failed tested waveforms needed in a pass/fail mask test to cause the test status to change to 'Failing'.

A series of examples showing how to use mask commands for typical tasks is included in an appendix. (See page E-1, *Mask/Limit Command Sequence Examples*.)

Conditions This command requires a DPO4LMT application module.

Group Mask

Syntax MASK:TEST:THreshold {<NR1>|INFinite}
 MASK:TEST:THreshold?

Related Commands MASK:TEST:STATE,
 MASK:TEST:COMPLetion:CRITerion

Arguments <NR1> is an integer that specifies the number of tested waveform violations occurring in each mask test that will change the test status to 'Failing'. The maximum number of failed tested waveforms that can be specified is 1,000,000. The default is 1.

INFinite indicates that there is no limit to the number of failed tested waveforms that will change a test status to 'Failing'.

Examples MASK:TEST:STOP:FAILure 50000 sets the instrument to change the test status to "failing" after 50,000 failed waveforms.

MASK:TEST:STOP:FAILure? might return INFINITE which indicates the instrument has been set so that there is no limit to tested waveform violations per test.

MASK:TEST:TIME

This command specifies the duration, in seconds, the instrument should run a pass/fail mask test. The default is INFINITE.

A series of examples showing how to use mask commands for typical tasks is included in an appendix. (See page E-1, *Mask/Limit Command Sequence Examples*.)

Conditions This command requires a DPO4LMT application module.

Group Mask

Syntax MASK:TEST:TIME {<NR1>|INFinite}
 MASK:TEST:TIME?

Related Commands MASK:TEST:STATE,
 MASK:TEST:DELay

Arguments <NR1> is an integer that represents the number of seconds to test. The maximum number of seconds that can be specified is 172,800.

INFINite indicates that there is no time limit on the test run.

Examples MASK:TEST:TIME 2 specifies to run a mask test for 2 seconds.

MASK:TEST:TIME? might return INFINITE, indicating there is currently no specified time limit. This is the default.

MASK:TEST:WAVEform

This command specifies the number of waveforms the instrument should test during a pass/fail mask test.

A series of examples showing how to use mask commands for typical tasks is included in an appendix. (See page E-1, *Mask/Limit Command Sequence Examples*.)

Conditions This command requires a DPO4LMT application module.

Group Mask

Syntax MASK:TEST:WAVEform {<NR1>|INFINite}
MASK:TEST:WAVEform?

Related Commands [MASK:TEST:STATE](#),
[MASK:TEST:TIME](#),
[MASK:TEST:THReshold](#)

Arguments <NR1> is an integer that specifies the number of waveforms to test. The maximum waveform count that can be specified is 1,000,000.

INFINite indicates that there is no limit on the waveform count.

Examples MASK:TEST:WAVEform 100000 specifies to test 100,000 waveforms.

MASK:TEST:TIME? might return INFINITE, indicating there is currently no specified waveform limit.

MASK:USER:AMPLitude

This command specifies the nominal pulse amplitude, in volts, to be used for a user-defined custom mask.

A series of examples showing how to use mask commands for typical tasks is included in an appendix. (See page E-1, *Mask/Limit Command Sequence Examples*.)

NOTE. To ensure that Mask commands are enabled, use the command *APPLication:TYpe* *LIMITMask*.

Conditions	This command requires a DPO4LMT application module.
Group	Mask
Syntax	MASK:USER:AMPLitude <NR3> MASK:USER:AMPLitude?
Related Commands	MASK:CUSTom , SAVe:MASK
Arguments	<NR3> is a floating point number that determines the nominal pulse amplitude, in volts, of a user-defined custom mask.
Examples	MASK:USER:AMPLITUDE 2.4 sets the nominal pulse amplitude of a user-defined custom mask to 2.4 volts. MASK:USER:AMPLITUDE? might return :MASK:USER:AMPLITUDE 100.0000E-3, indicating that the user mask nominal pulse amplitude is set to 0.1 volts.

MASK:USER:HSCALE

This command specifies the nominal timing resolution, in time/division, to be used to draw a user-defined custom mask pulse shape.

A series of examples showing how to use mask commands for typical tasks is included in an appendix. (See page E-1, *Mask/Limit Command Sequence Examples*.)

Conditions This command requires a DPO4LMT application module.

Group Mask

Syntax MASK:USER:HSCALE <NR3>
MASK:USER:HSCALE?

Related Commands [MASK:CUSTOM](#),
[SAVE:MASK](#)

Arguments <NR3> is a floating point value that specifies the timing resolution used to draw a user-defined custom mask pulse shape.

Examples MASK:USER:HSCALE 200E-9 sets the nominal timing resolution used to draw the mask pulse shape to 200 nanoseconds per division.

MASK:USER:HSCALE? might return :MASK:USER:HSCALE 40.0000E-9, indicating that the nominal timing resolution used to draw the mask pulse shape is set to 40 nanoseconds per division.

MASK:USER:HTRIGPOS

This command specifies the nominal trigger position (pulse leading edge), to be used to draw a user-defined custom mask, as a fraction of the display width.

A series of examples showing how to use mask commands for typical tasks is included in an appendix. (See page E-1, *Mask/Limit Command Sequence Examples*.)

Conditions This command requires a DPO4LMT application module.

Group Mask

Syntax MASK:USER:HTRIGPOS <NR3>
MASK:USER:HTRIGPOS?

Related Commands [MASK:CUSTOM](#),
[SAVE:MASK](#)

Arguments <NR3> is a floating point number in the range of 0.0 to 1.0 that sets the trigger points as a fraction of the display width, referenced from the left edge of the graticule.

0.0 represents the left edge.

Examples MASK:USER:HTRIGPOS 0.6 sets the nominal trigger position of the mask to 0.6.

MASK:USER:HTRIGPOS? might return :MASK:USER:HTRIGPOS 500.0000E-3, indicating that the nominal trigger position of the mask is set to 0.5.

MASK:USER:LABel

This command specifies a user-defined label for a custom mask.

Conditions This command requires a DPO4LMT application module.

Group Mask

Syntax MASK:USER:LABel <QString>
MASK:USER:LABel?

Related Commands [MASK:CUSTom](#), [MASK:USER:AMPLitude](#)

Arguments <QString> is a quoted string of up to 32 characters.

MASK:USER:RECOrdlength

This command specifies the nominal record length to be used for pulse mask testing with a user-defined custom mask.

A series of examples showing how to use mask commands for typical tasks is included in an appendix. (See page E-1, *Mask/Limit Command Sequence Examples*.)

Conditions This command requires a DPO4LMT application module.

Group Mask

Syntax MASK:USER:RECOrdlength <NR1>
MASK:USER:RECOrdlength?

Related Commands MASK:CUSTom,
SAVe:MASK,
MASK:USER:TRIGTOSAMP

Arguments <NR1> is an integer that sets the record length value to be used for pulse mask testing of a user-defined custom mask.

Examples MASK:USER:RECOrdlength 5000 sets the record length for pulse mask testing with a user-defined mask to 5,000.
MASK:USER:RECOrdlength? might return 5000, indicating that a record length of 5,000 has been set.

MASK:USER{:SEG<x>|:MASK<x>} (No Query Form)

This command deletes the specified mask segment from the current mask segment. There can be up to 8 segments.

A series of examples showing how to use mask commands for typical tasks is included in an appendix. (See page E-1, *Mask/Limit Command Sequence Examples*.)

Conditions This command requires a DPO4LMT application module.

Group Mask

Syntax MASK:USER{:SEG<x>|:MASK<x>} DELEte

Related Commands MASK:CUSTom,
SAVe:MASK

Examples MASK:USER:SEG3 DELEte deletes segment 3 from the current mask segment.

MASK:USER{:SEG<x>|:MASK<x>}:NR_Pt? (Query Only)

This query returns the number of points that make up the specified mask segment of a user-defined custom mask. There can be up to 8 segments.

A series of examples showing how to use mask commands for typical tasks is included in an appendix. (See page E-1, *Mask/Limit Command Sequence Examples*.)

Conditions This command requires a DPO4LMT application module.

Group Mask

Syntax MASK:USER{:SEG<x>|:MASK<x>}:NR_Pt?

Related Commands [MASK:CUSTom](#),
[SAVe:MASK](#)

Returns Integer

Examples MASK:USER:SEG3:NR_Pt? might return 0, indicating that there is no segment 3 in the current mask.

MASK:USER{:SEG<x>|:MASK<x>}:POINTS

This command specifies the x and y coordinates of the points that make up the segment 1–8. The units are normal waveform units. The x-coordinate is specified relative to the trigger. The points are specified as a sequence of (x,y) points which traverse the boundary of the segment in a counter-clockwise direction.

A series of examples showing how to use mask commands for typical tasks is included in an appendix. (See page E-1, *Mask/Limit Command Sequence Examples*.)

Conditions This command requires a DPO4LMT application module.

Group Mask

Syntax MASK:USER{:SEG<x>|:MASK<x>}:POINTS <NR3>
MASK:USER{:SEG<x>|:MASK<x>}:POINTS?

Related Commands	MASK:CUSTom , SAVe:MASK
Arguments	<NR3> is a floating- point number.
Examples	:MASK:USER:SEG1:POINTS -20e-6,.1,20e-6,.1,20e-6,.2,-20e-6,.2 :MASK:USER:SEG2:POINTS -20e-6,-.2,20e-6,-.2,20e-6,-.1,-20e-6,-.1

MASK:USER:TRIGTOSAMP

This command specifies the nominal time, in seconds, from the (leading edge) trigger position to the pulse bit sampling position, to be used for testing with a user-defined custom mask.

NOTE. *When you create a custom mask, the horizontal position setting is converted from percent to time, and sets the trigtosamp value. If you change trigtosamp value after the mask has been displayed, the mask will be horizontally offset, and the segment x values recalculated. Note that the segment x values are the relative time between the trigger position and the mask point's x value.*

A series of examples showing how to use mask commands for typical tasks is included in an appendix. (See page E-1, *Mask/Limit Command Sequence Examples*.)

Conditions	This command requires a DPO4LMT application module.
Group	Mask
Syntax	MASK:USER:TRIGTOSAMP <NR3> MASK:USER:TRIGTOSAMP?
Related Commands	MASK:CUSTom , SAVe:MASK , MASK:USER:RECOrdlength
Arguments	<NR3> is a floating point number that sets the time to the pulse bit sampling position.

Examples MASK:USER:TRIGTOSAMP 50.0000E-6 sets the time from the trigger position to the pulse bit sampling position to 50 μ S.

MASK:USER:TRIGTOSAMP? might return 100.0000E-6, indicating that a time of 100 μ S has been specified.

MASK:USER:VOFFSet

This command specifies the nominal value, in volts, to be used to vertically offset the input channels for a user-defined custom mask.

A series of examples showing how to use mask commands for typical tasks is included in an appendix. (See page E-1, *Mask/Limit Command Sequence Examples*.)

Conditions This command requires a DPO4LMT application module.

Group Mask

Syntax MASK:USER:VOFFSet <NR3>
MASK:USER:VOFFSet?

Related Commands [MASK:CUSTom](#),
[SAVe:MASK](#)

Arguments <NR3> is a floating point number that sets the nominal vertical offset value, in volts.

Examples MASK:USER:VOFFSET 0.0 sets the user mask nominal vertical offset value to 0.0 volts.

MASK:USER:VOFFSET? might return :MASK:USER:VOFFSET 0.0000, indicating that the nominal vertical offset value of the displayed mask is set to 0 volts.

MASK:USER:VPOS

This command specifies the nominal value, in divisions, to be used to vertically position the input channels for a user-defined custom mask.

A series of examples showing how to use mask commands for typical tasks is included in an appendix. (See page E-1, *Mask/Limit Command Sequence Examples*.)

Conditions This command requires a DPO4LMT application module.

Group Mask

Syntax MASK:USER:VPOS <NR3>
MASK:USER:VPOS?

Related Commands [MASK:CUSTom](#),
[SAVE:MASK](#)

Arguments <NR3> is a floating point number that sets the nominal vertical position value in divisions.

Examples MASK:USER:VPOS -0.8 sets the user mask nominal vertical position value to -0.8 divisions.

MASK:USER:VPOS? might return :MASK:USER:VPOS 0.0000, indicating that the nominal vertical position value of the displayed mask is set to 0 divisions.

MASK:USER:VSCALE

This command specifies the nominal value, in volts per division, to be used to vertically scale the input channels for a user-defined custom mask.

A series of examples showing how to use mask commands for typical tasks is included in an appendix. (See page E-1, *Mask/Limit Command Sequence Examples*.)

Conditions This command requires a DPO4LMT application module.

Group Mask

Syntax MASK:USER:VSCALE <NR3>
MASK:USER:VSCALE?

Related Commands [MASK:CUSTom](#),

[SAVe:MASK](#)

Arguments <NR3> is a floating point number that sets the nominal vertical scale value for the input channels for a user-defined custom mask.

Examples MASK:USER:VSCALE200E-3 sets the user mask nominal vertical scale to 200 millivolts per division.
 MASK:USER:VSCALE? might return :MASK:USER:VSCALE 1.0000E-3, indicating that the nominal vertical scale of the displayed mask is set to 1 millivolt per division.

MASK:USER:WIDTH

This command specifies the nominal bit width value, in seconds, to be used for a user-defined custom mask. This is the time of one bit of data where bit width = 1 / (data rate of the signal).

NOTE. *Width is set to the scope's horizontal time per div setting at the time the mask is created. If you create a mask, extract the definition, modify width, then recall the modified mask definition, you will get the same mask you originally did. If you change the width after the mask has been recalled, you will modify the mask ratio metrically; i.e., if you increase it by a factor of two, the mask display becomes twice as wide, and the mask segment points are recalculated.*

A series of examples showing how to use mask commands for typical tasks is included in an appendix. (See page E-1, *Mask/Limit Command Sequence Examples*.)

Conditions This command requires a DPO4LMT application module.

Group Mask

Syntax MASK:USER:WIDTH <NR3>
 MASK:USER:WIDTH?

Related Commands [MASK:CUSTom](#),
[SAVe:MASK](#)

- Arguments** <NR3> is a floating point number that indicates the nominal bit width value in seconds.
- Examples** MASK:USER:WIDTH 648E-9 sets the nominal bit width value of the user mask to 648 nanoseconds (1.544 Mbits/second).
- MASK:USER:WIDTH? might return 0.0E+0, which is the default.

MATH[1]? (Query Only)

Returns the definition of the math waveform. The returned data depends on the setting of the [MATH\[1\]:TYPE](#) command.

Group Math

Syntax MATH[1]?

Related Commands [MATH\[1\]:TYPE](#)

Examples MATH? or MATH1? might return :MATH:TYPE DUAL;DEFINE "CH1+CH2";VERTICAL:SCALE 100.0000E-3;POSITION 0.0000;UNITS "V";:MATH:HORIZONTAL:SCALE 4.0000E-6;POSITION 50.0000;UNITS "s";:MATH:SPECTRAL:MAG DB;WINDOW HANNING

MATH[1]:DEFine

This command specifies the current math function as a text string. You must also specify the type (dual waveform, FFT, advanced math, or spectrum math) using [MATH\[1\]:TYPE](#)

Dual math expressions are strings of the form <wfm> <operation> <wfm>, where the <wfm>s are any combination of live analog or reference waveforms in the time domain display, the <operation> is any of +, -, * or /, and the type has been set to DUAL.

FFT math expressions are strings of the form FFT(<wfm>), where <wfm> is any live analog or reference waveforms in the time domain display, and the type has been set to FFT.

NOTE. You can also use FFT as part of a math expression by setting the type to *ADVanced* using [MATH\[1\]:TYPE](#). See examples of advanced type math expressions below.

Advanced math expressions extend beyond dual math expressions, incorporating combinations of advanced math functions, measurements, and operators.

Spectrum math (MDO models) expressions are strings of the form `<wfm><operation><wfm>`, where the waveforms are any combination of live RF or reference traces in the frequency domain display, the `<operation>` is either `+` or `-`, and type has been set to `SPECTRUM`.

Group Math

Syntax `MATH[1]:DEFine <QString>`
`MATH[1]:DEFine?`

Related Commands [MATHVAR:VAR<x>](#),
[MATH\[1\]:TYPE](#)

Arguments `<QString>` quoted string argument is the mathematical expression that defines the waveform.

Table 2-48: Math expression elements

Element	Description	Example
CH1-CH4 REF1-REF4	Specifies an analog channel or reference waveform as the data source. Referenced as <code><wfm></code> in the math operators descriptions.	<code>:MATH:DEFINE "FFT(CH1)"</code>
Automatic measurements of waveforms		
See also MEASUREMENT:IMMED:TYPE and MEASUREMENT:MEAS<x>:TYPE .		
AMPLitude(<wfm>)	The high value less the low value measured over the entire waveform or gated region.	<code>:MATH:DEFINE "AMPLitude(CH1)"</code>
AREa(<wfm>)	Area measurement is a voltage over time measurement. It returns the area over the entire waveform or gated region in volt-seconds. Area measured above ground is positive; area measured below ground is negative.	<code>:MATH:DEFINE "AREA(CH1)"</code>
BURst(<wfm>)	Burst width: the duration of a burst (a series of transient events) and is measured over the entire waveform or gated region.	<code>:MATH:DEFINE "BURST(CH1)"</code>

Table 2-48: Math expression elements (cont.)

Element	Description	Example
CARea(<wfm>)	Cycle area: a voltage over time measurement. The measurement is the area over the first cycle in the waveform or the first cycle in the gated region expressed in volt-seconds. The area above the common reference point is positive, and the area below the common reference point is negative.	:MATH:DEFINE "CAREA(CH1)"
CMEan(<wfm>)	Cycle mean: the arithmetic mean over the first cycle in the waveform or the first cycle in the gated region.	:MATH:DEFINE "CMEAN(CH1)"
CRMs(<wfm>)	Cycle RMS: the true Root Mean Square voltage over the first cycle in the waveform or the first cycle in the gated region.	:MATH:DEFINE "CRMS(CH1)"
DElay(<wfm>,<wfm>)	The time between the mid reference (default 50%) amplitude point of two different waveforms. See also Phase.	:MATH:DEFINE "DELAY(CH1, CH2)"
FALL(<wfm>)	The time required for the falling edge of the first pulse in the waveform or gated region to fall from the high reference value (default = 90%) to the low reference value (default = 10%) of the final value.	:MATH:DEFINE "FALL(CH1)"
FREquency(<wfm>)	The first cycle in a waveform or gated region. Frequency is the reciprocal of the period; it is measured in hertz (Hz) where one Hz is one cycle per second.	:MATH:DEFINE "FREQUENCY(CH1)"
HIGH(<wfm>)	This value is used as 100% whenever high reference, mid reference, or low reference values are needed, such as in fall time or rise time measurements. Calculate using either the min/max or histogram method. The min/max method uses the maximum value found. The histogram method uses the most common value found above the midpoint. This value is measured over the entire waveform or gated region.	:MATH:DEFINE "HIGH(CH1)*CH2"

Table 2-48: Math expression elements (cont.)

Element	Description	Example
LOW(<wfm>)	This value is used as 0% whenever high reference, mid reference, or low reference values are needed, such as in fall time or rise time measurements. Calculate using either the min/max or histogram method. The min/max method uses the minimum value found. The histogram method uses the most common value found below the midpoint. This value is measured over the entire waveform or gated region.	:MATH:DEFINE "LOW(CH1)"
MAXimum(<wfm>)	The most positive peak voltage. Max is measured over the entire waveform or gated region.	:MATH:DEFINE "MAXIMUM(CH1)"
MEAN(<wfm>)	The arithmetic mean over the entire waveform or gated region.	:MATH:DEFINE "MEAN(CH1)"
MINimum(<wfm>)	The most negative peak voltage. Min is measured over the entire waveform or gated region.	:MATH:DEFINE "MINIMUM(CH1)"
NDUty(<wfm>)	Negative duty cycle: the ratio of the negative pulse width to the signal period expressed as a percentage. The duty cycle is measured on the first cycle in the waveform or gated region.	:MATH:DEFINE "NDUTY(CH1)"
NOVershoot(<wfm>)	Negative overshoot: this is measured over the entire waveform or gated region and is expressed as: Negative Overshoot = (Low – Minimum) / Amplitude x 100%.	:MATH:DEFINE "NOVERSHOOT(CH1)"
NWIdth(<wfm>)	Negative pulse width: the distance (time) between the mid reference (default 50%) amplitude points of a negative pulse. The measurement is made on the first pulse in the waveform or gated region.	:MATH:DEFINE "NWIDTH(CH1)"
PDUTy(<wfm>)	Positive duty cycle: the ratio of the positive pulse width to the signal period expressed as a percentage. duty cycle is measured on the first cycle in the waveform or gated region.	:MATH:DEFINE "PDUTY(CH1)"
PERIod(<wfm>)	The time required to complete the first cycle in a waveform or gated region. Period is the reciprocal of frequency and is measured in seconds.	:MATH:DEFINE "PERIOD(CH1)"

Table 2-48: Math expression elements (cont.)

Element	Description	Example
PHAsE(<wfm>)	The amount of time that one waveform leads or lags another waveform, expressed in degrees where 360° makes up one waveform cycle. See also Delay.	:MATH:DEFINE "PHASE(CH1,CH2)"
PK2pk(<wfm>)	Peak to peak: the absolute difference between the maximum and minimum amplitude in the entire waveform or gated region.	:MATH:DEFINE "PK2PK(CH1)"
POVershoot(<wfm>)	Positive overshoot: this is measured over the entire waveform or gated region and is expressed as: Positive Overshoot = (Maximum – High) / Amplitude x 100%.	:MATH:DEFINE "POVERSHOOT(CH1)"
PWIdth(<wfm>)	Positive pulse width: the distance (time) between the mid reference (default 50%) amplitude points of a positive pulse. The measurement is made on the first pulse in the waveform or gated region.	:MATH:DEFINE "PWIDTH(CH1)"
RISe(<wfm>)	The time required for the leading edge of the first pulse in the waveform or gated region to rise from the low reference value (default = 10%) to the high reference value (default = 90%) of the final value.	:MATH:DEFINE "RISE(CH1)"
RMS(<wfm>)	The true Root Mean Square voltage over the entire waveform or gated region.	:MATH:DEFINE "RMS(CH1)"
SINe<wfm>	Sine measurement of <wfm>	:MATH:DEFINE "SINE(CH1)"
Trigonometric operations on expressions		
ABS(<expr>)	Absolute value of (<expr>)	:MATH:DEFINE "ABS(CH2-CH1)"
COSINE(<expr>)	Absolute value of (<expr>)	:MATH:DEFINE "COSine(CH1)"
DEG(<expr>)	Converts (<expr>) from radians to degrees	:MATH:DEFINE "CH1 * DEG(VAR1)"
DIFF(<expr>)	Differential of (<expr>) Executes a differentiation operation on the expression that follows. Measures the slope of a curve at each point on the input waveform.	:MATH:DEFINE "DIFF(CH1)" :MATH:DEFINE "DIFF(ABS(CH1))"
EXP(<expr>)	Base of natural logarithm constant "e" raised to the power of (<expr>)	:MATH:DEFINE "EXP(DIFF(CH1))"

Table 2-48: Math expression elements (cont.)

Element	Description	Example
FFT(<expr>)	Executes a Fast Fourier Transform operation on the expression that follows. Calculates the set of frequencies that are present in the input waveform. NOTE. <i>If the FFT operator is used, it needs to be the outer-most operator.</i>	:MATH:DEFINE "FFT(CH1)" :MATH:DEFINE "FFT(CH1+CH2)" :MATH:DEFINE "FFT(CH1+INT(CH2))" Not acceptable:: :MATH:DEFINE "CH1 + FFT(CH2)"
INTG(<expr>)	Integral of (<expr>) Executes an integration operation on the expression that follows. Measures the accumulated area under the input waveform.	:MATH:DEFINE "INTG(CH1)" :MATH:DEFINE "INTG(CH1+CH2)"
LOG(<expr>)	Base 10 logarithm of (<expr>)	:MATH:DEFINE "LOG(CH1)"
RAD(<expr>)	Converts (<expr>) from degrees to radians	:MATH:DEFINE "RAD(PHASE(CH1,CH2))"
SQRT(<expr>)	Square root of (<expr>)	:MATH:DEFINE "SQRT(SINE(CH1))"
SINe<expr>)	Sine of (<expr>)	:MATH:DEFINE "SINE(CH1+CH2)"
TAN(<expr>)	Tangent of (<expr>)	:MATH:DEFINE "TAN(CH1)"
TRE(<expr>)	Trend plot of <expr>	:MATH:DEFINE "TRE(PERIOD(CH1))"
User-defined variables		
VAR1, VAR2	Specify the variables using the MATHVAR:VAR<x> command.	:MATH:DEFINE "VAR1+CH1"
Relational and logical operators		
+ , - , * , /	Addition, subtraction, multiplication, and division operators	
<	"Less than" operator	:MATH:DEFINE "(CH1 < CH2)"
>	"Greater than" operator	:MATH:DEFINE "(CH1 > CH2)"
<=	"Less than or equal to" operator	:MATH:DEFINE "(CH1 <= CH2)"
>=	"Greater than or equal to" operator	:MATH:DEFINE "(CH1 >= CH2)"
!=	"Not equal to" operator	:MATH:DEFINE "(CH1 != CH2)"
==	"Equal to" operator	:MATH:DEFINE "CH1==CH2"
	Logical "OR" operator	:MATH:DEFINE "(CH1 != CH2) (CH3 == CH4)"
&&	Logical "AND" of expressions	:MATH:DEFINE "(CH1 != CH2) && (CH3 == CH4)"

Table 2-48: Math expression elements (cont.)

Element	Description	Example
!("NOT" function, which changes non-zero values to zero, and zero values to 1.	:MATH:DEFINE "(CH2-CH1) * !(CH1 >= CH2)"
+-, 0-9, ., 0-9, E, +-, 0-9	Specifies a numeric value in (optional) scientific notation (for example: 2.34E-9).	:MATH:DEFINE "1E2"

Examples

Some examples of DUAL math expressions are as follows:

MATH1:DEFINE "CH1+CH2" adds the Ch 1 waveform and Ch 2 waveform, storing the results in Math 1.

MATH:DEFINE? might return :MATH1:DEFINE "CH2*REF2" as the expression that defines Math 1.

Some examples of FFT math expressions are as follows:

```
MATH:DEFINE "FFT(CH1)"
```

```
MATH:DEFINE "FFT(REF1)"
```

```
MATH:DEFINE "FFT(RF_NORMAL)"
```

Some examples of ADVanced math expressions are as follows:

```
MATH:DEFINE "AMPLITUDE(CH1) * (VAR1 + CH2) - CH3"
```

```
MATH:DEFINE "SINE(CH1)*(VAR1+CH2)*CH3 - CAREA(CH4)"
```

```
MATH:DEFINE "INTG(1+CH1) + SINE(CH1)*(VAR1+CH2)*CH3 - CAREA(CH4)"
```

Some examples of SPECTRUM math expressions are as follows:

```
MATH:DEFINE "RF_NORMAL - RF_AVERAGE"
```

```
MATH:DEFINE "RF_NORMAL * RF_AVERAGE"
```

MATH[1]:HORizontal:POSition

This command specifies the math horizontal display position for FFT or (non-live) math reference waveforms.

Group Math

Syntax MATH[1]:HORizontal:POSition <NR3>
MATH[1]:HORizontal:POSition?

Arguments <NR3> is a floating point number that specifies the % of the math waveform that precedes center screen. It can vary from 0.0 to 100.0.

Examples MATH:HORIZONTAL:POSITION 10 sets the horizontal position to 10% pretrigger

MATH[1]:HORizontal:SCALE

This command specifies the math horizontal display scale for FFT or for dual math waveforms that have source waveforms that are reference waveforms. The horizontal scale of a dual math waveform with a channel source waveform is set through the HORizontal:SCALE command.

Group Math

Syntax MATH[1]:HORizontal:SCALE <NR3>
MATH[1]:HORizontal:SCALE?

Arguments <NR3> is a floating point number that specifies the math horizontal scale, in seconds.

Examples MATH:HORIZONTAL:SCALE? might return MATH:HORIZONTAL:SCALE 2.0E-4 indicating that the math horizontal scale is 200 μ

MATH[1]:HORizontal:UNIts

Returns the math waveform horizontal measurement unit value.

Group Math

Syntax MATH[1]:HORizontal:UNIts?

Examples MATH:HORIZONTAL:UNITS? might return MATH:HORIZONTAL:UNITS "?" indicating that the math horizontal unit label for unknown values is the default question mark unit.

MATH[1]:LABel

Sets or queries the waveform label for the math waveform.

Group Math

Syntax MATH[1]:LABel <QString>
MATH[1]:LABel?

Arguments <QString> is the quoted string used as the label for the math waveform.

Examples MATH:LABEL "Output" sets the label for the math waveform to Output.
MATH:LABEL? might return MATH:LABEL "Sum of channel 1 and channel 2" indicating the current label for the math waveform.

MATH[1]:SPECTral:MAG

This command specifies the units of the Spectral Magnification function in the math string.

Group Math

Syntax MATH[1]:SPECTral:MAG {LINEAR|DB}
MATH[1]:SPECTral:MAG?

Arguments LINEAR sets the SpectralMag units to linear.
DB sets the SpectralMag units to decibels.

Examples MATH1:SPECTRAL:MAG DB sets the SpectralMag units for Math1 to decibels.
MATH1:SPECTRAL:MAG? might return :MATH1:SPECTRAL:MAG DB indicating that the SpectralMag units for Math1 are set to decibels.

MATH[1]:SPECTral:WINDow

This command specifies the window function for the spectral analyzer input data for the specified math waveform. A spectral window determines what the filter shape of the spectral analyzer will be in the frequency domain. It can be described

by a mathematical function that is multiplied point-by-point times the input data to the spectral analyzer.

Group Math

Syntax MATH[1]:SPECTRAL:WINDOW
 {RECTangular|HAMming|HANning|BLACKmanharris}
 MATH[1]:SPECTRAL:WINDOW?

Arguments RECTangular window function is equivalent to multiplying all gate data by one.
 HAMming window function is based on a cosine series.
 HANning window function is based on a cosine series.
 BLACKmanharris window function is based on a cosine series.

Examples MATH1:SPECTRAL:WINDOW HANNING applies a Hanning window to the spectral analyzer input data.
 MATH1:SPECTRAL:WINDOW? might return :MATH1:SPECTRAL:WINDOW
 HAMMING indicating that the window function used to multiply the spectral analyzer input data is the Hamming window.

MATH[1]:TYPE

This command specifies the math type (DUAL, FFT, ADVanced or SPECTRUM). This command is used along with [MATH\[1\]:DEFine](#), which specifies the current mathematical expression as a text string which defines the waveform. You must specify the math type before defining the math expression. For a list of math expressions, see [MATH\[1\]:DEFine](#).

Group Math

Syntax MATH[1]:TYPE {DUAL|FFT|ADVanced|SPECTRUM}
 MATH[1]:TYPE?

Arguments DUAL sets the type to dual waveform math, which can use any combination of live analog or reference waveforms in the time domain display.
 FFT sets the type to FFT math, which can use any live analog or reference waveform in the time domain.

NOTE. You can also use *FFT* as part of a math expression by declaring the type *ADVanced*. See examples for the command *MATH[1]:DEFine*.

ADVanced sets the type to advanced math.

SPECTRUM sets the type to spectrum, which can use any combination of live RF or reference traces in the frequency domain. (MDO models only.)

Examples

MATH:TYPE FFT sets the math type to FFT.

MATH:TYPE FFT;:MATH:DEFINE "FFT(CH1)";:SELECT:MATH1 sets the math type to FFT and displays an FFT waveform of the channel 1 waveform, using the current FFT scale and window settings.

MATH:TYPE ADVANCED;:MATH:DEFINE "INTG(REF1*CH3)+DELAY(CH1, CH2)";:SELECT:MATH1 sets the math type to ADVanced and displays an advanced math waveform that is the INTEGRAL of the product of REF1 and CH3 plus the result of the delay measurement between channel 1 and 2.

MATH[1]:VERTical:POSition

This command specifies the vertical position of the currently selected math type.

Group Math

Syntax MATH[1]:VERTical:POSITION <NR3>
MATH[1]:VERTical:POSITION?

Related Commands CH<x>:POSITION, REF<x>:VERTical:POSITION

Arguments <NR3> is a floating point number that specifies the desired position in divisions from the center graticule.

Examples

MATH1:VERTICAL:POSITION 1.3E+00 positions the Math 1 input signal 1.3 divisions higher than a position of 0.

MATH1:VERTICAL:POSITION? might return :MATH1:VERTICAL:POSITION -1.3000E+00 indicating that the current position of Math 1 is 1.3 divisions below the center graticule.

MATH[1]:VERTical:SCALE

This command specifies the vertical scale of the currently selected math type. This setting controls the display only, graphically scaling these waveforms and having no affect on the acquisition hardware. For a signal with constant amplitude, increasing the scale causes the waveform to be displayed smaller. Decreasing the scale causes the waveform to be displayed larger.

Group Math

Syntax MATH[1]:VERTical:SCALE <NR3>
MATH[1]:VERTical:SCALE?

Related Commands [CH<x>:SCALE](#),
[REF<x>:VERTical:SCALE](#)

Arguments <NR3> is a floating point number that specifies the scale-per-division in the current math vertical units. The range is from 1.0E-12 through 500.0E+12.

Examples MATH1:VERTICAL:SCALE 100E-03 sets the Math scale to 100 mV per division.
MATH:VERTICAL:SCALE? might return :MATH:VERTICAL:SCALE
1.0000E+00 indicating that the current scale setting of Math is 1 V per division.

MATH[1]:VERTical:UNIts

Returns the math waveform vertical measurement unit value.

Group Math

Syntax MATH[1]:VERTical:UNIts?

Examples MATH:VERTICAL:UNITS? might return MATH:VERTICAL:UNITS "joules"
indicating that the math vertical unit label for unknown values is joules.

MATHVAR? (Query Only)

Queries both numerical values you can use within math expressions.

Group	Math
Syntax	MATHVAR?
Related Commands	MATHVAR:VAR<x> , MATH[1]:DEFine
Returns	<NR3> are the stored numerical values.
Examples	MATHVAR? returns the values of all variables stored in locations 1 through 2.

MATHVAR:VAR<x>

This command specifies one of two different numerical values you can use within math expressions. These values can range from -10.0e-18 to 1.0e+15; the default values are 0.0. <x> specifies the location, 1 or 2, in which you can store values. Stored math variables can be referenced within math expressions as VAR1 and VAR2.

For example, the following command defines MATH1 as the product of Channel 1 and math variable 1: MATH1:DEFINE "CH1 * VAR1".

Group	Math
Syntax	MATHVAR:VAR<x> <NR3> MATHVAR:VAR<x>?
Related Commands	MATHVAR:VAR<x> , MATH[1]:DEFine
Arguments	<NR3> is a floating point number that specifies the numerical value to be stored in location x <1 through 2>.
Examples	MATHVAR:VAR2 -2.43E-5 stores the value -2.43e-5 in the second math variable location. MATHVAR:VAR2? might return:MATHVAR:VAR2 24.3000E-6 for the expression stored in location 2.

MEASUrement? (Query Only)

Returns all measurement parameters.

Group Measurement

Syntax MEASUrement?

Examples MEASUREMENT? might return :MEASUREMENT:IMMED:DELAY:DIRECTION FORWARDS;EDGE1 RISE;EDGE2 RISE;;MEASUREMENT:IMMED:TYPE PERIOD;UNITS "s";SOURCE1 CH1;SOURCE2 CH2;;MEASUREMENT:MEAS1:DELAY:DIRECTION FORWARDS;EDGE1 RISE;EDGE2 RISE;;MEASUREMENT:MEAS1:STATE 1;TYPE FREQUENCY;UNITS "Hz";SOURCE1 CH1;SOURCE2 CH2;COUNT 0;MAXIMUM 0.0000;MEAN 0.0000;MINIMUM 0.0000;STDDEV 0.0000;;MEASUREMENT:MEAS2:DELAY:DIRECTION FORWARDS;EDGE1 RISE;EDGE2 RISE;;MEASUREMENT:MEAS2:STATE 1;TYPE PERIOD;UNITS "s";SOURCE1 CH1;SOURCE2 CH2;COUNT 0;MAXIMUM 0.0000;MEAN 0.0000;MINIMUM 0.0000;STDDEV 0.0000;;MEASUREMENT:MEAS3: DELAY:DIRECTION FORWARDS;EDGE1 RISE;EDGE2 RISE;;MEASUREMENT:MEAS3:STATE 1;TYPE PK2PK;UNITS "v";SOURCE1 CH1;SOURCE2 CH2;COUNT 0;MAXIMUM 0.0000;MEAN 0.0000;MINIMUM 0.0000;STDDEV 0.0000;;MEASUREMENT:MEAS4:DELAY:DIRECTION FORWARDS;EDGE1 RISE;EDGE2 RISE;;MEASUREMENT:MEAS4:STATE 0;TYPE PERIOD;UNITS "s";SOURCE1 CH1;SOURCE2 CH2;COUNT 0;MAXIMUM 0.0000;MEAN 0.0000;MINIMUM 0.0000;STDDEV 0.0000;;MEASUREMENT:METHOD AUTO;REFLEVEL:METHOD PERCENT;ABSOLUTE:HIGH 0.0000;LOW 0.0000;MID1 0.0000;MID2 0.0000;;MEASUREMENT:REFLEVEL:PERCENT:HIGH 90.0000;LOW 10.0000;MID1 50.0000;MID2 50.0000;;MEASUREMENT:INDICATORS:STATE OFF;NUMHORZ 0;NUMVERT 0;HORZ1 99.0000E +36;HORZ2 99.0000E+36;HORZ3 99.0000E+36;HORZ4 99.0000E+36;VERT1 99.0000E+36;VERT2 99.0000E+36;VERT3 99.0000E+36;VERT4 99.0000E+36;;MEASUREMENT:STATISTICS:MODE OFF;WEIGHTING 32;;MEASUREMENT:GATING SCREEN.

MEASUrement:CLEARSnapshot (No Query Form)

Removes the measurement snapshot display.

Group Measurement

Syntax `MEASUREMENT:CLEARSnapshot`

Related Commands [CLEARMenu](#)

MEASUREMENT:GATING

Specifies or returns the measurement gating setting.

Group Measurement

Syntax `MEASUREMENT:GATING {OFF|SCREEN|CURSOR}`
`MEASUREMENT:GATING?`

Arguments OFF turns off measurement gating (full record).
 SCREEN turns on gating, using the left and right edges of the screen.
 CURSOR limits measurements to the portion of the waveform between the vertical bar cursors, even if they are off screen.

Examples `MEASUREMENT:GATING CURSOR` turns on measurement gating using the cursors as limits.
`MEASUREMENT:GATING?` might return `:MEASUREMENT:GATING CURSOR` indicating that measurements are limited to the portion of the waveform between the vertical bar cursors.

MEASUREMENT:IMMED? (Query Only)

Returns all immediate measurement setup parameters.

Group Measurement

Syntax `MEASUREMENT:IMMED?`

Examples `MEASUREMENT:IMMED?` might return
`:MEASUREMENT:IMMED:DELAY:DIRECTION FORWARDS;EDGE1 RISE;EDGE2`
`RISE;:MEASUREMENT:IMMED:TYPE PERIOD;UNITS "s";SOURCE1`
`CH1;SOURCE2 CH2`

MEASUREMENT:IMMED:DELAY? (Query Only)

Returns information about the immediate delay measurement. This command is equivalent to viewing the delay measurement settings on the measurement readout.

Group	Measurement
Syntax	MEASUREMENT:IMMED:DELAY?
Examples	MEASUREMENT:IMMED:DELAY? might return :MEASUREMENT:IMMED:DELAY:DIRECTION FORWARDS; EDGE1 RISE;EDGE2 RISE

MEASUREMENT:IMMED:DELAY:DIRection

This command specifies the starting point and direction that determines the delay "to" edge when taking an immediate delay measurement.

NOTE. Use the [MEASUREMENT:IMMED:SOURce<x>](#) command to specify the delay "to" waveform.

Group	Measurement
Syntax	MEASUREMENT:IMMED:DELAY:DIRection {BACKWARDS FORWARDS} MEASUREMENT:IMMED:DELAY:DIRection?
Related Commands	MEASUREMENT:IMMED:SOURce<x>
Arguments	<p>BACKWARDS starts the search at the end of the waveform and looks for the last rising or falling edge in the waveform.</p> <p>FORWARDS starts the search at the beginning of the waveform and looks for the first rising or falling edge in the waveform.</p>
Examples	<p>MEASUREMENT:IMMED:DELAY:DIRection FORWARDS starts searching from the beginning of the waveform record and looks for the first rising or falling edge.</p> <p>MEASUREMENT:IMMED:DELAY:DIRection? might return :MEASUREMENT:IMMED:DELAY:DIRection BACKWARDS indicating that searching begins at the end of the waveform record and looks for the last rising or falling edge.</p>

MEASUREMENT:IMMED:DELAY:EDGE<x>

This command specifies the slope of the edge the oscilloscope uses for the delay "from" or "to" waveform when taking an immediate delay measurement.

Group Measurement

Syntax MEASUREMENT:IMMED:DELAY:EDGE<x> {FALL|RISE}
MEASUREMENT:IMMED:DELAY:EDGE<x>?

Related Commands [MEASUREMENT:IMMED:SOURCE<x>](#)

Arguments <x> specifies which waveform to use, where <x> = 1 is the "from" waveform, and <x> = 2 is the "to" waveform.

FALL specifies the falling edge.

RISE specifies the rising edge.

Examples MEASUREMENT:IMMED:DELAY:EDGE1 RISE specifies that the "from" waveform rising edge be used for the immediate delay measurement.

MEASUREMENT:IMMED:DELAY:EDGE1? returns either RISE or FALL.

MEASUREMENT:IMMED:SOURCE<x>

For SOURCE1: This command specifies the source for all single channel measurements. For delay or phase measurements, this command specifies the waveform to measure "from".

For SOURCE2: This command specifies the waveform to measure "to" when taking a delay measurement or phase measurement.

NOTE. *If you do not specify a numerical suffix, the source is assumed to be SOURCE1.*

Group Measurement

Syntax MEASUREMENT:IMMED:SOURCE<x>
{CH1|CH2|CH3|CH4|MATH|D0|D1|D2|D3|D4|D5|D6|D7|D8|D9|D10
|D11|D12|D13|D14|D15|Histogram|RF_AMP|ititude|RF_FREQUENCY|RF_PHASE}
MEASUREMENT:IMMED:SOURCE<x>?

Arguments CH1–CH4 is the analog channel to use as the source waveform.

MATH is the math waveform.

D0 – D15 is the digital waveform to use as the source waveform. (MSO/MDO models only.)

HISTogram indicates the histogram as the object to be measured. HISTogram only applies to SOURCE1; it is not available for SOURCE2.

RF_AMPli tude | RF_FREQuency | RF_PHASe are the RF time domain traces.

MEASUrement:IMMed:TYPE

This command specifies the immediate measurement type.

Digital channel measurements do not have a user-settable midRef threshold. If you specify a digital channel measurement that is not available on MSO/MDO models, measurement error 2200: measurement system error occurs and 9.91e37 (not a number) is returned.

Group Measurement

Syntax MEASUrement:IMMed:TYPE
 {AMPli tude | AREa | BURSt | CAREa | CMEan | CRMS | DELay | FALL | FREQuency | HIGH | HITS | LOW | MAXimum | MEAN | MEDian | MINImum | NDuty | NEDGECount | NOVershoot | NPULSECount | NWidth | PEAKHits | PEDGECount | PDuty | PERIod | PHASe | PK2Pk | POVershoot | PPULSECount | PWidth | RISE | RMS | SIGMA1 | SIGMA2 | SIGMA3 | STDdev | WAVEFORMS}

MEASUrement:IMMed:TYPE?

Arguments AMPli tude measures the amplitude of the selected waveform. In other words, it measures the high value less the low value measured over the entire waveform or gated region. This measurement is applicable only to the analog channels.

$$\textit{Amplitude} = \textit{High} - \textit{Low}$$

AREa measures the voltage over time. The area is over the entire waveform or gated region and is measured in volt-seconds. The area measured above the ground is positive, while the area below ground is negative. This measurement is applicable only to the analog channels.

BURSt measures the duration of a burst. The measurement is made over the entire waveform or gated region.

CAREa (cycle area) measures the voltage over time. In other words, it measures, in volt-seconds, the area over the first cycle in the waveform or the first cycle in the gated region. The area measured above the common reference point is positive,

while the area below the common reference point is negative. This measurement is applicable only to the analog channels.

CMEan (cycle mean) measures the arithmetic mean over the first cycle in the waveform or the first cycle in the gated region. This measurement is applicable only to the analog channels.

CRMS (cycle rms) measures the true Root Mean Square voltage over the first cycle in the waveform or the first cycle in the gated region. This measurement is applicable only to the analog channels.

DElAy measures the time between the middle reference (default = 50%) amplitude point of the source waveform and the destination waveform.

FALL measures the time taken for the falling edge of the first pulse in the waveform or gated region to fall from a high reference value (default is 90%) to a low reference value (default is 10%). This measurement is applicable only to the analog channels.

FREQUency measures the first cycle in the waveform or gated region. Frequency is the reciprocal of the period and is measured in hertz (Hz), where 1 Hz = 1 cycle per second.

HIGH measures the High reference (100% level, sometimes called Topline) of a waveform. This measurement is applicable only to the analog channels.

HITS (histogram hits) measures the number of points in or on the histogram box.

LOW measures the Low reference (0% level, sometimes called Baseline) of a waveform. This measurement is applicable only to the analog channels.

MAXimum finds the maximum amplitude. This value is the most positive peak voltage found. It is measured over the entire waveform or gated region. This measurement is applicable only to the analog channels.

MEAN amplitude measurement finds the arithmetic mean over the entire waveform or gated region. This measurement is applicable only to the analog channels.

MEDian (histogram measurement) measures the middle point of the histogram box. Half of all acquired points within or on the histogram box are less than this value and half are greater than this value.

MINIMUM finds the minimum amplitude. This value is typically the most negative peak voltage. It is measured over the entire waveform or gated region. This measurement is applicable only to the analog channels.

NDuty (negative duty cycle) is the ratio of the negative pulse width to the signal period, expressed as a percentage. The duty cycle is measured on the first cycle in the waveform or gated region.

$$\text{Negative Duty Cycle} = ((\text{Negative Width}) / \text{Period}) \times 100\%$$

NEDGECount is the count of falling edges.

NOvershoot (negative overshoot) finds the negative overshoot value over the entire waveform or gated region. This measurement is applicable only to the analog channels.

$$\text{Negative Overshoot} = ((\text{Low} - \text{Minimum}) / \text{Amplitude}) \times 100\%$$

NPULSECount is the count of negative pulses.

NWIdth (negative width) measurement is the distance (time) between the middle reference (default = 50%) amplitude points of a negative pulse. The measurement is made on the first pulse in the waveform or gated region.

PEAKHits measures the number of points in the largest bin of the histogram.

PDuty (positive duty cycle) is the ratio of the positive pulse width to the signal period, expressed as a percentage. It is measured on the first cycle in the waveform or gated region.

$$\text{Positive Duty Cycle} = ((\text{Positive Width}) / \text{Period}) \times 100\%$$

PEDGECount is the count of rising edges.

PERIOD is the time required to complete the first cycle in a waveform or gated region. Period is the reciprocal of frequency and is measured in seconds.

PHASE measures the phase difference (amount of time a waveform leads or lags the reference waveform) between two waveforms. The measurement is made between the middle reference points of the two waveforms and is expressed in degrees, where 360° represents one waveform cycle.

PK2Pk (peak-to-peak) finds the absolute difference between the maximum and minimum amplitude in the entire waveform or gated region. This measurement is applicable only to the analog channels.

POvershoot is the positive overshoot value over the entire waveform or gated region. This measurement is applicable only to the analog channels.

$$\text{Positive Overshoot} = ((\text{Maximum} - \text{High}) / \text{Amplitude}) \times 100\%$$

PPULSECount is the count of positive pulses.

PWIdth (positive width) is the distance (time) between the middle reference (default = 50%) amplitude points of a positive pulse. The measurement is made on the first pulse in the waveform or gated region.

RISe timing measurement finds the rise time of the waveform. The rise time is the time it takes for the leading edge of the first pulse encountered to rise from a low reference value (default is 10%) to a high reference value (default is 90%). This measurement is applicable only to the analog channels.

RMS amplitude measurement finds the true Root Mean Square voltage in the entire waveform or gated region. This measurement is applicable only to the analog channels.

SIGMA1 (histogram measurement) measures the percentage of points in the histogram that are within one standard deviation of the histogram mean.

SIGMA2 (histogram measurement) measures the percentage of points in the histogram that are within two standard deviations of the histogram mean.

SIGMA3 (histogram measurement) measures the percentage of points in the histogram that are within three standard deviations of the histogram mean.

STDdev measures the standard deviation (Root Mean Square (RMS) deviation) of all acquired points within or on the histogram box.

WAVEFORMS (waveform count) measures the number of waveforms used to calculate the histogram.

Examples MEASUREMENT:IMMED:TYPE FREQUENCY defines the immediate measurement to be a frequency measurement.

MEASUREMENT:IMMED:TYPE? might return :MEASUREMENT:IMMED:TYPE RMS indicating that the immediate measurement is the true Root Mean Square voltage.

MEASUREMENT:IMMED:UNITS? (Query Only)

Returns a string containing the units of the immediate measurement.

Group Measurement

Syntax MEASUREMENT:IMMED:UNITS?

Returns This query returns one of the following strings.

Unit string	Description
"%"	percent
"/Hz"	inverse hertz
"?"	indeterminate
"A"	amperes
"A/A"	amperes per ampere
"A/V"	amperes per volt
"A/W"	ampere per watt
"A/dB"	amperes per decibel
"A/s"	amperes per second
"AA"	amperes squared
"AW"	ampere-watts

Unit string	Description
"AdB"	ampere-decibels
"As"	ampere-seconds
"B"	bytes
"Hz"	hertz
"IRE"	Institute of Radio Engineers units
"S/s"	samples per second
"V"	volts
"V/A"	volts per ampere
"V/V"	volts per volt
"V/W"	volts per watt
"V/dB"	volts per decibel
"V/s"	volts per second
"VA"	volt-amperes
"VAR"	volt-amperes resistive
"VV"	volts squared
"VW"	volt-watts
"VdB"	volts-decibels
"Vs"	volt-seconds
"W"	watts
"W/A"	watts per ampere
"W/V"	watts per volt
"W/W"	watts per watt
"W/dB"	watt per decibel
"W/s"	watts per second
"WA"	watt-amperes
"WV"	watt-volts
"WW"	watts squared
"WdB"	watt-decibels
"Wfms"	waveforms
"Ws"	watt-seconds
"dB"	decibels
"dB/A"	decibels per ampere
"dB/V"	decibels per volt
"dB/W"	decibels per watt
"dB/dB"	decibels per decibel
"dBA"	decibel-amperes
"dBV"	decibel-volts
"dBW"	decibel-watts

Unit string	Description
"dBdB"	decibels squared
"day"	days
"degrees"	degrees
"div"	divisions
"edges"	edges
"hits"	hits
"hr"	hours
"joules"	joules
"min"	minutes
"ohms"	ohms
"percent"	percent
"pulses"	pulses
"s"	seconds
"unk"	unknown

Examples MEASUREMENT:IMMED:UNITS? might return
:MEASUREMENT:IMMED:UNITS "s"
indicating that units for the immediate measurement are in seconds.

MEASUREMENT:IMMED:VALUE? (Query Only)

Returns the value of the measurement specified by the [MEASUREMENT:IMMED:TYPE](#) command. The measurement is immediately taken on the source(s) specified by a [MEASUREMENT:IMMED:SOURCE<x>](#) command.

NOTE. A change to [HORIZONTAL:MAIN:SCALE](#) or [CH<x>:SCALE](#) will not necessarily have taken affect if immediately followed by this command.

NOTE. Before using this query, you should make sure the prerequisites are completed. (See page 3-7, [Synchronization Methods](#).)

Group Measurement

Syntax MEASUREMENT:IMMED:VALUE?

Related Commands [MEASUREMENT:IMMED:TYPE](#),

MEASUREMENT:IMMED:SOURCE<x>,
 *ESR?,
 ALLEv?

Examples MEASUREMENT:IMMED:VALUE? might return :MEASUREMENT:IMMED:VALUE 9.9000E+37. If the measurement has an error or warning associated with it, then an item is added to the error queue. The error can be checked for with the *ESR? and ALLEv? commands.

MEASUREMENT:INDICATORS? (Query Only)

Returns all measurement indicator parameters.

Group Measurement

Syntax MEASUREMENT:INDICATORS?

Examples MEASUREMENT:INDICATORS? might return
 MEASUREMENT:INDICATORS:STATE MEAS1;NUMHORZ 0;NUMVERT 4;HORZ1
 7.5E0;HORZ2 -3.40000095367E0;HORZ3 0.0E0;HORZ4 0.0E0;VERT1
 -6.351123E-6;VERT2 -3.179753E-6;VERT3 -6.40943E-6;VERT4
 -6.403E-6

MEASUREMENT:INDICATORS:HORIZ<x>? (Query Only)

Returns the position of the specified horizontal measurement indicator <x>, where <x> can be 1, 2, 3, or 4.

Group Measurement

Syntax MEASUREMENT:INDICATORS:HORIZ<x>?

Examples MEASUREMENT:INDICATORS:HORIZ1? might return
 MEASUREMENT:INDICATORS:HORIZ1 -2.0E-3 indicating that horizontal
 indicator1 has a value of -2mV.

MEASUREMENT:INDICATORS:NUMHORZ? (Query Only)

Returns the number of horizontal measurement indicators currently being displayed.

Group Measurement

Syntax MEASUREMENT:INDICATORS:NUMHORZ?

Examples MEASUREMENT:INDICATORS:NUMHORZ? might return
MEASUREMENT:INDICATORS:NUMHORZ 2 indicating there are currently
2 horizontal lines drawn on the graticule. The indicators show where the
measurement specified by [MEASUREMENT:INDICATORS:STATE](#) is being
performed.

MEASUREMENT:INDICATORS:NUMVERT? (Query Only)

Returns the number of vertical measurement indicators currently being displayed.

Group Measurement

Syntax MEASUREMENT:INDICATORS:NUMVERT?

Examples MEASUREMENT:INDICATORS:NUMVERT? might return
MEASUREMENT:INDICATORS:NUMVERT 2 indicating there are currently 2
vertical lines drawn on the graticule. The indicators show where the measurement
specified by [MEASUREMENT:INDICATORS:STATE](#) is being performed.

MEASUREMENT:INDICATORS:STATE

This command specifies the state of visible measurement indicators.

Group Measurement

Syntax MEASUREMENT:INDICATORS:STATE {OFF|MEAS<x>}
MEASUREMENT:INDICATORS:STATE?

Arguments OFF turns the visible measurement indicators off.
 MEAS<x> displays the visible measurement indicators for measurement <x>, where <x> can be 1 through 8.

NOTE. *There must be an active measurement before you can activate an indicator for a specified measurement.*

Examples MEASUREMENT:INDICATORS:STATE MEAS2 turns on the display of visible measurement indicators for measurement 2.
 MEASUREMENT:INDICATORS:STATE? might return
 MEASUREMENT:INDICATORS:STATE OFF indicating that no measurement indicators are active.

MEASUREMENT:INDICATORS:VERT<x>? (Query Only)

Returns the value of the specified vertical measurement indicator <x> from the trigger point, where <x> can be 1 through 8. A negative value means that the indicator is positioned earlier in the waveform record than the trigger point.

Group Measurement

Syntax MEASUREMENT:INDICATORS:VERT<x>?

Examples MEASUREMENT:INDICATORS:VERT2? might return
 MEASUREMENT:INDICATORS:VERT2 -3.724507E-6 indicating that the second measurement indicator is positioned 3.72 μ s before the trigger point.

MEASUREMENT:MEAS<x>? (Query Only)

Returns all measurement parameters for the specified active measurement <x>.

Group Measurement

Syntax MEASUREMENT:MEAS<x>?

MEASUREMENT:MEAS<x>:COUNT? (Query Only)

Returns the number of values accumulated for this measurement since the last statistical reset. Values may be ignored if they generated an error. Measurements are specified by x, which ranges from 1 through 8.

Group Measurement

Syntax MEASUREMENT:MEAS<x>:COUNT?

Examples MEASUREMENT:MEAS3:COUNT? might return :MEASUREMENT:MEAS3:COUNT 3247.

MEASUREMENT:MEAS<x>:DELAY? (Query Only)

Returns the delay measurement parameters for the measurement specified by <x>, which ranges from 1 through 8.

Group Measurement

Syntax MEASUREMENT:MEAS<x>:DELAY?

Examples MEASUREMENT:MEAS1? might return :MEASUREMENT:MEAS1:DELAY:DIRECTION FORWARDS;EDGE1 RISE;EDGE2 RISE.

MEASUREMENT:MEAS<x>:DELAY:DIRection

This command specifies the starting point and direction that determines the delay "to" edge when taking a delay measurement. Use the [MEASUREMENT:MEAS<x>:SOURCE<x>](#) command to specify the waveform.

Group Measurement

Syntax MEASUREMENT:MEAS<x>:DELAY:DIRection {BACKWARDS|FORWARDS}
MEASUREMENT:MEAS<x>:DELAY:DIRection?

Related Commands [MEASUREMENT:MEAS<x>:SOURCE<x>](#)

Arguments BACKwards means the search starts at the end of the waveform and looks for the last rising or falling edge in the waveform. Use the [MEASUREMENT:MEAS<x>:DELAY:EDGE<x>](#) command to specify the slope of the edge.

FORwards means the search starts at the beginning of the waveform and looks for the first rising or falling edge in the waveform. Use the [MEASUREMENT:MEAS<x>:DELAY:EDGE<x>](#) command to specify the slope of the edge.

Examples MEASUREMENT:MEAS3:DELAY:DIRECTION BACKWARDS starts searching from the end of the waveform record.

MEASUREMENT:MEAS3:DELAY:DIRECTION? might return
:MEASUREMENT:MEAS3:DELAY:DIRECTION BACKWARDS indicating that the current search direction is backwards.

MEASUREMENT:MEAS<x>:DELAY:EDGE<x>

This command specifies the slope of the edge used for the delay "from" or "to" waveform when taking an immediate delay measurement. The waveform is specified by [MEASUREMENT:MEAS<x>:SOURCE<x>](#).

Group Measurement

Syntax MEASUREMENT:MEAS<x>:DELAY:EDGE<x> {FALL|RISE}
MEASUREMENT:MEAS<x>:DELAY:EDGE<x>?

Arguments <x> specifies which waveform to use, where <x> = 1 is the "from" waveform, and <x> = 2 is the "to" waveform.

FALL specifies the falling edge.

RISE specifies the rising edge.

Examples MEASUREMENT:MEAS1:DELAY:EDGE1 RISE specifies that the "from" waveform rising edge be used for the immediate delay measurement.

MEASUREMENT:MEAS1:DELAY:EDGE1? returns either RISE or FALL.

MEASUREMENT:MEAS<x>:MAXIMUM? (Query Only)

Returns the maximum value found for this measurement since the last statistical reset. Measurements are specified by x, which ranges from 1 through 8.

Group	Measurement
Syntax	MEASUREMENT:MEAS<x>:MAXimum?
Examples	MEASUREMENT:MEAS3:MAXIMUM? might return :MEASUREMENT:MEAS3:MAXIMUM 4.18E-9.

MEASUREMENT:MEAS<x>:MEAN? (Query Only)

Returns the mean value accumulated for this measurement since the last statistical reset. Measurements are specified by x, which ranges from 1 through 8.

Group	Measurement
Syntax	MEASUREMENT:MEAS<x>:MEAN?
Examples	MEASUREMENT:MEAS1:MEAN? might return :MEASUREMENT:MEAS1:MEAN 514.71E-09.

MEASUREMENT:MEAS<x>:MINIMUM? (Query Only)

Returns the minimum value for this measurement since the last statistical reset. Measurements are specified by <x>, which ranges from 1 through 8.

Group	Measurement
Syntax	MEASUREMENT:MEAS<x>:MINIMUM?
Examples	MEASUREMENT:MEAS1:MINIMUM? might return :MEASUREMENT:MEAS1:MINIMUM 1.75E-09.

MEASUREMENT:MEAS<x>:SOURCE<x>

For SOURCE1: This command specifies the source for all single channel measurements. For delay or phase measurements, This command specifies the waveform to measure "from".

For SOURCE2: This command specifies the waveform to measure "to" when taking a delay measurement or phase measurement.

Measurements are specified by <x>, which ranges from 1 to 8.

NOTE. *If you do not specify a numeric suffix, the source is assumed to be SOURCE1.*

Group	Measurement
Syntax	<pre>MEASUREMENT:MEAS<x>:SOURCE<x> {CH1 CH2 CH3 CH4 MATH R1 R2 R3 R4 D0 D1 D2 D3 D4 D5 D6 D7 D8 D9 D10 D11 D12 D13 D14 D15 HISTOGRAM RF_AMPLITUDE RF_FREQUENCY RF_PHASE} MEASUREMENT:MEAS<x>:SOURCE<x>?</pre>
Related Commands	MEASUREMENT:MEAS<x>:TYPE
Arguments	<p>CH1–4 is an analog channel to use as the source waveform.</p> <p>MATH is the math waveform.</p> <p>REF1–4 is a reference waveform to use as the source waveform.</p> <p>D0–D15 is a digital channel to use as the source waveform. (MSO/MDO models only).</p> <p>HISTOGRAM indicates the histogram is the object to be measured. HISTOGRAM only applies to SOURCE1; it is not allowed on SOURCE2.</p> <p>RF_AMPLITUDE RF_FREQUENCY RF_PHASE are the RF time domain traces.</p>
Examples	<pre>MEASUREMENT:MEAS4:SOURCE2 CH1 specifies CH1 as the delay "to" source when making delay measurement. MEASUREMENT:MEAS2:SOURCE2? might return :MEASUREMENT:MEAS2:SOURCE2 MATH1 indicating that Math 1 is the measurement 2 source.</pre>

MEASUREMENT:MEAS<x>:STATE

This command specifies whether the specified measurement slot is computed and displayed. The measurement slot is specified by <x>, which ranges from 1 through 8.

For a measurement to display, you must have selected a source waveform and defined the measurement you want to take and display. You select the measurement using the [MEASUREMENT:MEAS<x>:SOURCE<x>](#) command. You define the measurement type using the [MEASUREMENT:MEAS<x>:TYPE](#) command.

Group Measurement

Syntax MEASUREMENT:MEAS<x>:STATE {OFF|ON|<NR1>}
MEASUREMENT:MEAS<x>:STATE?

Related Commands MEASUREMENT:MEAS<x>:SOURCE<x>,
MEASUREMENT:MEAS<x>:TYPE

Arguments OFF disables calculation and display of the specified measurement slot.
ON enables calculation and display of the specified measurement slot.
<NR1> = 0 disables calculation and display of the specified measurement slot; any other value enables calculation and display of the specified measurement slot.

Examples MEASUREMENT:MEAS2:STATE ON computes and displays the measurement defined as measurement 2.
MEASUREMENT:MEAS1:STATE? might return :MEASUREMENT:MEAS1:STATE 0 indicating that measurement defined for measurement slot 1 is disabled.

MEASUREMENT:MEAS<x>:STDdev? (Query Only)

Returns the standard deviation of values accumulated for this measurement since the last statistical reset. Measurements are specified by <x>, the measurement slots, from 1 through 8.

Group Measurement

Syntax MEASUREMENT:MEAS<x>:STDdev?

Examples MEASUREMENT:MEAS1:STDDEV? might return :MEASUREMENT:MEAS1:STDDEV 21.0E-12.

MEASUREMENT:MEAS<x>:TYPE

This command specifies the measurement type defined for the specified measurement slot. The measurement slot is specified by <x>, which ranges from 1 through 8.

Digital channel measurements do not have a user-settable midRef threshold. If you specify a digital channel measurement that is not available on MSO/MDO models, measurement error 2200: measurement system error occurs and 9.9e37 is returned.

Group Measurement

Syntax MEASUREMENT:MEAS<x>:TYPE
 {AMPLitude|AREa|BURSt|CAREa|CMEan|CRMS|DELay|FALL|FREQUENCY
 |HIGH|HITS|LOW|MAXimum|MEAN|MEDIan|MINImum|NDUty|NEDGECount
 |NOVershoot|NPULSECount|NWidth|PEAKHITS|PDUty|PEDGECount|PERIod
 |PHase|PK2Pk|POVershoot|PPULSECount|PWidth|RISE|RMS|SIGMA1|SIGMA2
 |SIGMA3|STDdev|WAVEFORMS}

MEASUREMENT:MEAS<x>:TYPE?

Arguments **AMPLitude** measures the amplitude of the selected waveform. In other words, it measures the high value less the low value measured over the entire waveform or gated region. This measurement is applicable only to the analog channels.

$$\textit{Amplitude} = \textit{High} - \textit{Low}$$

AREa measures the voltage over time. The area is over the entire waveform or gated region and is measured in volt-seconds. The area measured above the ground is positive, while the area below ground is negative. This measurement is applicable only to the analog channels.

BURSt measures the duration of a burst. The measurement is made over the entire waveform or gated region.

CAREa (cycle area) measures the voltage over time. In other words, it measures, in volt-seconds, the area over the first cycle in the waveform or the first cycle in the gated region. The area measured above the common reference point is positive, while the area below the common reference point is negative. This measurement is applicable only to the analog channels.

CMEan (cycle mean) measures the arithmetic mean over the first cycle in the waveform or the first cycle in the gated region. This measurement is applicable only to the analog channels.

CRMS (cycle rms) measures the true Root Mean Square voltage over the first cycle in the waveform or the first cycle in the gated region. This measurement is applicable only to the analog channels.

DELay measures the time between the middle reference (default = 50%) amplitude point of the source waveform and the destination waveform. This measurement is applicable only to the analog channels.

FALL measures the time taken for the falling edge of the first pulse in the waveform or gated region to fall from a high reference value (default is 90%) to a low reference value (default is 10%). This measurement is applicable only to the analog channels.

FREQUENCY measures the first cycle in the waveform or gated region. Frequency is the reciprocal of the period and is measured in hertz (Hz), where 1 Hz = 1 cycle per second.

HIGH measures the High reference (100% level, sometimes called Topline) of a waveform. This measurement is applicable only to the analog channels.

HITS (histogram hits) measures the number of points in or on the histogram box.

LOW measures the Low reference (0% level, sometimes called Baseline) of a waveform. This measurement is applicable only to the analog channels.

MAXIMUM finds the maximum amplitude. This value is the most positive peak voltage found. It is measured over the entire waveform or gated region. This measurement is applicable only to the analog channels.

MEAN amplitude measurement finds the arithmetic mean over the entire waveform or gated region. This measurement is applicable only to the analog channels.

MEDIAN (histogram measurement) measures the middle point of the histogram box. Half of all acquired points within or on the histogram box are less than this value and half are greater than this value.

MINIMUM finds the minimum amplitude. This value is typically the most negative peak voltage. It is measured over the entire waveform or gated region. This measurement is applicable only to the analog channels.

NDUTY (negative duty cycle) is the ratio of the negative pulse width to the signal period, expressed as a percentage. The duty cycle is measured on the first cycle in the waveform or gated region.

$$\text{Negative Duty Cycle} = ((\text{Negative Width}) / \text{Period}) \times 100\%$$

NEDGECount is the count of negative edges.

NOVERSHOOT (negative overshoot) finds the negative overshoot value over the entire waveform or gated region. This measurement is applicable only to the analog channels.

$$\text{Negative Overshoot} = ((\text{Low} - \text{Minimum}) / \text{Amplitude}) \times 100\%$$

NPULSECount is the count of negative pulses.

NWIDTH (negative width) measurement is the distance (time) between the middle reference (default = 50%) amplitude points of a negative pulse. The measurement is made on the first pulse in the waveform or gated region.

PEAKHITS measures the number of points in the largest bin of the histogram.

PDuty (positive duty cycle) is the ratio of the positive pulse width to the signal period, expressed as a percentage. It is measured on the first cycle in the waveform or gated region.

$$\text{Positive Duty Cycle} = ((\text{Positive Width})/\text{Period}) \times 100\%$$

PEDGECount is the count of positive edges.

PERIOD is the time required to complete the first cycle in a waveform or gated region. Period is the reciprocal of frequency and is measured in seconds.

PHASE measures the phase difference (amount of time a waveform leads or lags the reference waveform) between two waveforms. The measurement is made between the middle reference points of the two waveforms and is expressed in degrees, where 360° represents one waveform cycle.

PK2Pk (peak-to-peak) finds the absolute difference between the maximum and minimum amplitude in the entire waveform or gated region. This measurement is applicable only to the analog channels.

POvershoot is the positive overshoot value over the entire waveform or gated region. This measurement is applicable only to the analog channels.

$$\text{Positive Overshoot} = ((\text{Maximum} - \text{High}) / \text{Amplitude}) \times 100\%$$

PPULSECount is the count of positive pulses.

PWidth (positive width) is the distance (time) between the middle reference (default = 50%) amplitude points of a positive pulse. The measurement is made on the first pulse in the waveform or gated region.

RISe timing measurement finds the rise time of the waveform. The rise time is the time it takes for the leading edge of the first pulse encountered to rise from a low reference value (default is 10%) to a high reference value (default is 90%). This measurement is applicable only to the analog channels.

RMS amplitude measurement finds the true Root Mean Square voltage in the entire waveform or gated region. This measurement is applicable only to the analog channels.

SIGMA1 (histogram measurement) measures the percentage of points in the histogram that are within one standard deviation of the histogram mean.

SIGMA2 (histogram measurement) measures the percentage of points in the histogram that are within two standard deviations of the histogram mean.

SIGMA3 (histogram measurement) measures the percentage of points in the histogram that are within three standard deviations of the histogram mean.

STDdev measures the standard deviation (Root Mean Square (RMS) deviation) of all acquired points within or on the histogram box.

WAVEFORMS (waveform count) measures the number of waveforms used to calculate the histogram.

Examples `MEASUREMENT:MEAS2:TYPE FREQUENCY` defines measurement 2 as a measurement of the frequency of a waveform.

`MEASUREMENT:MEAS1:TYPE?` might return `:MEASUREMENT:MEAS1:TYPE RMS` indicating that measurement 1 is defined to measure the RMS value of a waveform.

MEASUREMENT:MEAS<x>:UNITS? (Query Only)

Returns the units associated with the specified measurement. The measurement slots are specified by <x>, which ranges from 1 through 8.

Group Measurement

Syntax `MEASUREMENT:MEAS<x>:UNITS?`

Related Commands [MEASUREMENT:MEAS<x>:TYPE](#)

Returns This query returns one of the following strings.

Unit string	Description
"%"	percent
"/Hz"	inverse hertz
"?"	indeterminate
"A"	amperes
"A/A"	amperes per ampere
"A/V"	amperes per volt
"A/W"	ampere per watt
"A/dB"	amperes per decibel
"A/s"	amperes per second
"AA"	amperes squared
"AW"	ampere-watts
"AdB"	ampere-decibels
"As"	ampere-seconds
"B"	bytes
"Hz"	hertz
"IRE"	Institute of Radio Engineers units
"S/s"	samples per second
"V"	volts
"V/A"	volts per ampere

Unit string	Description
"V/V"	volts per volt
"V/W"	volts per watt
"V/dB"	volts per decibel
"V/s"	volts per second
"VA"	volt-amperes
"VAR"	volt-amperes resistive
"V ² "	volts squared
"VW"	volt-watts
"VdB"	volts-decibels
"Vs"	volt-seconds
"W"	watts
"W/A"	watts per ampere
"W/V"	watts per volt
"W/W"	watts per watt
"W/dB"	watt per decibel
"W/s"	watts per second
"WA"	watt-amperes
"WV"	watt-volts
"WW"	watts squared
"WdB"	watt-decibels
"Wfms"	waveforms
"Ws"	watt-seconds
"dB"	decibels
"dB/A"	decibels per ampere
"dB/V"	decibels per volt
"dB/W"	decibels per watt
"dB/dB"	decibels per decibel
"dBA"	decibel-amperes
"dBV"	decibel-volts
"dBW"	decibel-watts
"dBdB"	decibels squared
"day"	days
"degrees"	degrees
"div"	divisions
"edges"	edges
"hits"	hits
"hr"	hours
"joules"	joules

Unit string	Description
"min"	minutes
"ohms"	ohms
"percent"	percent
"pulses"	pulses
"s"	seconds
"unk"	unknown

Examples MEASUREMENT:MEAS1:UNITS? might return :MEASUREMENT:MEAS1:UNITS % indicating units for measurement 1 are set to percent.

MEASUREMENT:MEAS<x>:VALUE? (Query Only)

Returns a calculate value for the measurement specified by <x>, which ranges from 1 through 8.

NOTE. This is the same value as displayed on-screen. If measurement statistics are enabled, a new value is calculated with every waveform. In addition, this value is updated approximately every 1/3 second. If you are acquiring a long acquisition record, the oscilloscope may take longer to update.

Group Measurement

Syntax MEASUREMENT:MEAS<x>:VALUE?

Related Commands MEASUREMENT:MEAS<x>:UNITS?,
*ESR?,
ALLEV?

Examples MEASUREMENT:MEAS1:VALUE? might return :MEASUREMENT:MEAS1:VALUE 2.8740E-06. If the measurement has an error or warning associated with it, then an item is added to the error queue. The error can be checked for with the *ESR? and ALLEV? commands.

MEASUREMENT:METHOD

This command specifies the method used to calculate the 0% and 100% reference level.

Group	Measurement
Syntax	MEASUREMENT:METHOD {Auto HISTogram MINMax} MEASUREMENT:METHOD?
Related Commands	MEASUREMENT:REFLevel:PERCent:HIGH, MEASUREMENT:REFLevel:PERCent:LOW, MEASUREMENT:REFLevel:PERCent:MID<x>,
Arguments	Auto selects the best method for each data set. HISTogram sets the high and low waveform levels statistically using a histogram algorithm. MINMax uses the highest and lowest values of the waveform record. This selection is best for examining waveforms with no large, flat portions of a common value, such as sine waves and triangle waves.
Examples	MEASUREMENT:METHOD? might return :MEASUREMENT:METHOD MINMAX indicating that the reference levels are set to MIN and MAX.

MEASUREMENT:REFLevel? (Query Only)

Returns the current reference level parameters.

Group	Measurement
Syntax	MEASUREMENT:REFLevel?
Examples	MEASUREMENT:REFLEVEL? might return these reference level settings :MEASUREMENT:REFLEVEL:METHOD PERCENT;ABSOLUTE:HIGH 0.0000;LOW 0.0000;MID1 0.0000 ;MID2 0.0000 ; :MEASUREMENT:REFLEVEL:PERCENT:HIGH 90.0000;LOW 10.0000;MID1 50.0000 ;MID2 50.0000

MEASUREMENT:REFLevel:ABSolute:HIGH

This command specifies the high reference level, and is the upper reference level when [MEASUREMENT:REFLevel:METHOD](#) is set to Absolute. This command affects the results of rise and fall measurements.

NOTE. *this command affects the associated reference level parameter for all MEASurements:IMMed and the four periodic measurements.*

Group	Measurement
Syntax	MEASUREMENT:REFLevel:ABSolute:HIGH <NR3> MEASUREMENT:REFLevel:ABSolute:HIGH?
Related Commands	MEASUREMENT:REFLevel:METHOD , MEASUREMENT:IMMed:TYPE , MEASUREMENT:MEAS<x>:TYPE
Arguments	<NR3> is a floating point number that specifies the high reference level, in volts. The default is 0.0 V.
Examples	MEASUREMENT:REFLEVEL:ABSOLUTE:HIGH 1.71 sets the high reference level to 1.71 V. MEASUREMENT:REFLEVEL:ABSOLUTE:HIGH? might return :MEASUREMENT:REFLEVEL:ABSOLUTE:HIGH 1.7100E+00 indicating that the absolute high reference level is set to 1.71 V.

MEASUREMENT:REFLevel:ABSolute:LOW

This command specifies the low reference level, and is the lower reference level when [MEASUREMENT:REFLevel:METHOD](#) is set to Absolute.

NOTE. *this command affects the associated reference level parameter for all MEASurements:IMMed and the four periodic measurements.*

Group	Measurement
Syntax	MEASUREMENT:REFLevel:ABSolute:LOW <NR3> MEASUREMENT:REFLevel:ABSolute:LOW?
Related Commands	MEASUREMENT:REFLevel:METHOD , MEASUREMENT:IMMed:TYPE , MEASUREMENT:MEAS<x>:TYPE

Arguments <NR3> is a floating point number that specifies the low reference level, in volts. The default is 0.0 V.

Examples MEASUREMENT:REFLEVEL:ABSOLUTE:LOW 0.0 sets the low reference level to 0.0 V.

MEASUREMENT:REFLEVEL:ABSOLUTE:LOW? might return
:MEASUREMENT:REFLEVEL:ABSOLUTE:LOW 0.0000E+00 indicating that the absolute low reference level is set to 0.0 V.

MEASUREMENT:REFLEVEL:ABSOLUTE:MID<x>

This command specifies an absolute mid reference level (the 50% reference level) for the "to" waveform when taking a delay measurement, in volts. There are two absolute mid reference levels; thus MID<x> can either be MID1 or MID2. This command applies when [MEASUREMENT:REFLEVEL:METHOD](#) has been set to Absolute. This command is equivalent to setting the Reference Levels in the MEASURE menu on the oscilloscope front panel.

NOTE. *This command affects the results of period, frequency, delay, and all cyclic measurements. This command affects the associated reference level parameter for all MEASUREMENTS:IMMED and the four periodic measurements.*

Group Measurement

Syntax MEASUREMENT:REFLEVEL:ABSOLUTE:MID<x> <NR3>
MEASUREMENT:REFLEVEL:ABSOLUTE:MID<x>?

Related Commands [MEASUREMENT:REFLEVEL:METHOD](#)

Arguments <NR3> is a floating point number that specifies the mid reference level in volts.

Examples MEASUREMENT:REFLEVEL:ABSOLUTE:MID 0.5 sets the absolute MID1 reference level for the delay waveform to 0.5 V.

MEASUREMENT:REFLEVEL:ABSOLUTE:MID? might return
:MEASUREMENT:REFLEVEL:ABSOLUTE:MID2 0.5000E+00 indicating that the absolute MID2 reference level is set to 0.5 V.

MEASUREMENT:REFLEVEL:METHOD

Specifies or returns the reference level units used for measurement calculations.

NOTE. *this command affects the associated reference level parameter for all MEASUREMENTS:IMMED and the eight periodic measurements. To change the parameter for individual measurements, use the MEASUREMENT:MEAS<x>:REFLEVEL commands.*

Group Measurement

Syntax MEASUREMENT:REFLEVEL:METHOD {ABSOLUTE|PERCENT}
MEASUREMENT:REFLEVEL:METHOD?

Arguments ABSOLUTE specifies that the reference levels are set explicitly using the MEASUREMENT:REFLEVEL:ABSOLUTE commands. This method is useful when precise values are required (for example, when designing to published interface specifications, such as RS-232-C).

PERCENT specifies that the reference levels are calculated as a percent relative to HIGH and LOW. The percentages are defined using the MEASUREMENT:REFLEVEL:PERCENT commands.

Examples MEASUREMENT:REFLEVEL:METHODABSOLUTE specifies that explicit user-defined values are used for the reference levels.

MEASUREMENT:REFLEVEL:METHOD? might return
:MEASUREMENT:REFLEVEL:METHOD PERCENT indicating that the reference level units used are calculated as a percent relative to HIGH and LOW.

MEASUREMENT:REFLEVEL:PERCENT:HIGH

This command specifies the percent (where 100% is equal to HIGH) used to calculate the high reference level when MEASUREMENT:REFLEVEL:METHOD is set to Percent. This command affects the results of rise and fall measurements.

NOTE. *This command affects the associated reference level parameter for all MEASUREMENTS:IMMED and the four periodic measurements.*

Group Measurement

Syntax	MEASUREMENT:REFLEVEL:PERCENT:HIGH <NR3> MEASUREMENT:REFLEVEL:PERCENT:HIGH?
Related Commands	MEASUREMENT:REFLEVEL:METHOD, MEASUREMENT:IMMED:TYPE, MEASUREMENT:MEAS<x>:TYPE
Arguments	<NR3> is a floating point number that specifies the high reference level, ranging from 0 to 100%. The default high reference level is 90%.
Examples	MEASUREMENT:REFLEVEL:PERCENT:HIGH95 sets the high reference level to 95% of HIGH. MEASUREMENT:REFLEVEL:PERCENT:HIGH? might return :MEASUREMENT:REFLEVEL:PERCENT:HIGH 90 indicating that the percentage high reference level is set to 90% of HIGH.

MEASUREMENT:REFLEVEL:PERCENT:LOW

This command specifies the percent (where 100% is equal to HIGH) used to calculate the low reference level when [MEASUREMENT:REFLEVEL:METHOD](#) is set to Percent. This command affects the results of rise and fall measurements.

NOTE. *this command affects the associated reference level parameter for all MEASUREMENTS:IMMED and the four periodic measurements.*

Group	Measurement
Syntax	MEASUREMENT:REFLEVEL:PERCENT:LOW <NR3> MEASUREMENT:REFLEVEL:PERCENT:LOW?
Related Commands	MEASUREMENT:REFLEVEL:METHOD, MEASUREMENT:IMMED:TYPE, MEASUREMENT:MEAS<x>:TYPE
Arguments	<NR3> is a floating point number that specifies the low reference level, ranging from 0 to 100%. The default low reference level is 10%.

Examples MEASUREMENT:REFLEVEL:PERCENT:LOW 15 sets the high reference level to 15% of HIGH.

MEASUREMENT:REFLEVEL:PERCENT:LOW? might return
:MEASUREMENT:REFLEVEL:PERCENT:LOW 10 indicating that the percentage high reference level is set to 10% of HIGH.

MEASUREMENT:REFLEVEL:PERCENT:MID<x>

This command specifies the percent (where 100% is equal to HIGH) that is used to calculate a mid reference level. There are two mid reference levels; thus, MID<x> can be either MID1 or MID2. This command applies when the command [MEASUREMENT:REFLEVEL:METHOD](#) has been set to Percent. This command is equivalent to setting the Reference Levels in the MEASURE menu on the oscilloscope front panel.

NOTE. This command affects the results of period, frequency, delay, and all cyclic measurements. This command affects the associated reference level parameter for all MEASUREMENTS:IMMED and the four periodic measurements.

Group Measurement

Syntax MEASUREMENT:REFLEVEL:PERCENT:MID<x> <NR3>
MEASUREMENT:REFLEVEL:PERCENT:MID<x>?

Related Commands [MEASUREMENT:REFLEVEL:METHOD](#)

Arguments <NR3> is a floating point number that specifies the mid reference level, ranging from 0 to 100%. The default mid reference level is 50%.

Examples MEASUREMENT:REFLEVEL:PERCENT:MID 60 sets the MID1 reference level to 60% of HIGH.

MEASUREMENT:REFLEVEL:PERCENT:MID? might return
:MEASUREMENT:REFLEVEL:PERCENT:MID2 65 indicating that the MID2 reference level has been set to 65% of HIGH.

MEASUREMENT:STATISTICS (No Query Form)

Clears all of the statistics accumulated for all periodic measurements (MEAS1 through MEAS4).

The query form returns statistic settings.

Group Measurement

Syntax MEASUREMENT:STATISTICS RESET
MEASUREMENT:STATISTICS?

Arguments RESET clears the measurements.

MEASUREMENT:STATISTICS:MODE

Controls the operation and display of management statistics.

Group Measurement

Syntax MEASUREMENT:STATISTICS:MODE {OFF|ALL}
MEASUREMENT:STATISTICS:MODE?

Related Commands [MEASUREMENT:STATISTICS](#)

Arguments OFF turns all measurements off. This is the default value.
AL turns on statistics and displays all statistics for each measurement.

Examples MEASUREMENT:STATISTICS:MODE OFF turns statistic measurements off.
MEASUREMENT:STATISTICS:MODE? might return
:MEASUREMENT:STATISTICS:MODE ON indicating that measurement statistics
are turned on and all statistics are being displayed for each measurement.

MEASUREMENT:STATISTICS:WEIGHTING

This command specifies the time constant for mean and standard deviation statistical accumulations.

Group Measurement

Syntax MEASUREMENT:STATISTICS:WEIGHTING <NR1>
MEASUREMENT:STATISTICS:WEIGHTING?

Related Commands [MEASUREMENT:STATISTICS:MODE](#)

Arguments <NR1> is the number of samples used for the mean and standard deviation statistical accumulations.

Examples `MEASUREMENT:STATISTICS:WEIGHTING 4` sets statistical weighting to four samples.

`MEASUREMENT:STATISTICS:WEIGHTING?` might return
`:MEASUREMENT:STATISTICS:WEIGHTING 4` indicating that measurement statistics weighting is currently set to 4 samples.

MESSage

This command sets or queries message box (screen annotation) parameters.

Group Display

Syntax `MESSage`
`MESSage?`

Examples `MESSAGE?` might return `MESSAGE:SHOW "TP401";BOX 271,82,292,114;STATE 0` indicating the message parameters.

MESSage:BOX

This command specifies the co-ordinates of the message box. This command does not display the message unless `MESSage:STATE` is on.

X1 and Y1 are the screen coordinates of the top left corner of the message box. X2 and Y2 are the screen coordinates of the bottom right corner of the message box. All four coordinates are returned by the query.

Changing the text in the message box, using the `MESSAGE:SHOW` command, automatically resizes the message box. If you want a custom message box size, send the `MESSAGE:BOX` command after changing the text using the `MESSAGE:SHOW` command.

Message box settings and data are saved and restored in saved setups.

Group Display

Syntax MESSAGE:BOX <X1>, <Y1> [, <X2>, <Y2>]
MESSAGE:BOX?

Related Commands MESSAGE:STATE,
MESSAGE:SHOW,
MESSAGE:CLEAR

Arguments <X1> and <X2> = 0 to 1023, and are pixel positions along the horizontal axis. <X1> defines the left and <X2> defines the right side of the window.

<Y1> and <Y2> = 0 to 767, and are pixel positions along the vertical axis. <Y1> defines the top and <Y2> defines the bottom of the window. The reserved height of all characters is 16 pixels so the window must be at least that high to fully display characters. <X2> and <Y2> are optional because the MESSAGE:SHOW command automatically sizes the box to fit the message. All four values are returned in a query.

MESSAGE:CLEAR (No Query Form)

Clears the contents of the message box.

Group Display

Syntax MESSAGE:CLEAR

Related Commands MESSAGE:BOX, MESSAGE:SHOW, MESSAGE:STATE

Examples MESSAGE:CLEAR
removes the message from the message window.

MESSAGE:SHOW

This command specifies the contents of the message box. MESSAGE:SHOW <Qstring> defines the content of the message box. Change in string length causes automatic resize of the message box to fit the text. The box may be resized using the MESSAGE:BOX command. The MESSAGE:STATE command is used to turn on and off the message box display.

Group Display

Syntax MESSAGE:SHOW <QString>
MESSAGE:SHOW?

Related Commands MESSAGE:BOX
MESSAGE:CLEAR
MESSAGE:STATE

Arguments <QString> is the message and can include any of the characters shown in the Character Set. (See page A-1, *Character Set*.) The maximum length of the message is 1000 characters; the instrument ignores longer strings.

The message box size is set to fit the message. You can also set the message area height and width using the MESSAGE:BOX command. The length of the message that fits in the message area depends on the contents of the message because the width of characters varies.

If the message exceeds the limits of the message box, either horizontally or vertically, the portion of the message that exceeds the limits will not be displayed. The message string itself is not altered. The entire message can be returned as a query response regardless of what is displayed in the message box.

The message is left-justified, and is displayed on a single line starting with the top most line in the window. A new line character can be embedded in the string to position the message on multiple lines. You can also use white space and tab characters to position the message within a line. Text which does not fit within the message box is truncated. Defining a message box text string erases any previously displayed text within the message box.

You can send a tab by transmitting a tab character (\t or \x09) followed by characters representing the most significant eight bits followed by significant eight bits of a 16-bit number. The number specifies the position relative to the left margin of the message area. For example, to tab send TAB (\t or \x09), NUL (decimal 0), and CR (decimal 13).

For example, using hexadecimal escape sequences, MESSAGE:SHOW '\x09\x01\x17Hello' when sent as a command would cause the 'Hello' to be displayed starting at pixel position 279 relative to the left margin set by the MESSAGE:BOX command. If you want to display characters starting at position 279, then $279 = 0x0117$; split the hexadecimal number into two characters 0x01 and 0x17 and send \x09\x01\x17.

Special characters which control decoration are two character sequences where the first character is an escape (0x1b) and the second character is as described below.

Bit 7	0
Bit 6	If set, inverse video is toggled from current state and the following text is displayed in the new inverse state until the state is toggled again. Remaining bits are ignored
Bit 5	If set, the color index in the four LSB's (bits 0 through 3) is applied to the foreground or background color depending on the fg/bg bit (bit 4).
Bit 4	If set, color change is applied to the background, otherwise applies to the foreground.
Bit 0 – 3	Specifies the color index (0 through 15) to change color as specified below:
	Index 0 Black (background)
	Index 1 Yellow (Ch 1)
	Index 2 Cyan (Ch 2)
	Index 3 Magenta (Ch 3)
	Index 4 Green (Ch 4)
	Index 5 Red (math)
	Index 6 White (reference)
	Index 7 Orange
	Index 8 Gray (Graticule)
	Index 9 White (text)
	Index 10 Tek blue
	Index 11 Bright blue
	Index 12 Undefined
	Index 13 Blue
	Index 14 Undefined
	Index 15 Dark blue
Bit 4	If set, the foreground color is set to the default foreground color.
Bit 3	If set, the background color is set to the default background color.
Bit 2	Undefined
Bit 1	Undefined
Bit 0	Undefined

The ESC (escape) character followed by the @ character turns inverse video on or off and can be embedded in the message string. Example: “abcESC@defESC@ghi” specifies the string “abcdefghi” where the “def” portion is displayed in inverse video.

Example: “abcESC#defESC)ESC@ghi” specifies the string “abcdefghi” where the “def” portion appears in the channel 3 color (magenta) and the “ghi” portion appears in the normal text color except it’s in inverse video.

An alternate way to enter characters is octal escape sequences. This consists of a backslash followed by numerals in the standard C language printf fashion.

Another way to enter characters is \xnn where the nn is the hexadecimal value of the character to display.

An advantage of these methods is that any controller program can be used. Another advantage is it's easy to access characters with the high bit set, that is, those characters with a decimal value greater than 127.

An alternate way to enter certain characters is with a backslash followed by a single character (following "standard" Unix) as described in the table below.

n	Newline (carriage return and line feed)
\	Backslash (\ is required to get a backslash character)
t	Horizontal tab; the next 2 characters specify the pixel column to tab to as explained earlier

If a backslash is followed by an undefined special character, the backslash is ignored and the character following it is accepted as is.

NOTE. *The use of any escape codes other than those described above may produce unpredictable results.*

Examples MESSage:SHOW "Hello World"
displays "Hello world" in the upper left corner of the box (you can define the box size with the MESSAGE BOX command).

MESSage:SHOW "←@Hello World←@ ... hello"
displays "Hello world ... hello" in the upper left corner of the box and the word "world" is displayed in inverse video. In this example, ← stands for the escape character. The escape character may appear differently for you depending on your controller program.

MESSage:STATE

Controls the display of the message box.

Group Display

Syntax MESSage:STATE {OFF|ON|<NR1>}
MESSage:STATE?

Related Commands [MESSage:BOX](#)
[MESSage:SHOW](#), [MESSage:CLEAR](#)

Arguments OFF or <NR1> = 0 removes the message window from the screen.
ON or <NR1> ≠ 0 displays the message window and its contents on the screen.

NEWpass (No Query Form)

This command changes the password that enables access to password protected data. The PASSWord command must be successfully executed before using this command or an execution error will be generated.

Group Miscellaneous

Syntax NEWpass <QString>

Related Commands [*PUD](#)
[PASSWord](#)

Arguments <QString> is the new password, which can contain up to 16 characters.

Examples NEWPASS "mypassword" creates a new password (mypassword) for accessing your protected data.

*OPC

Generates the Operation Complete message in the Standard Event Status Register (SESR) when all pending commands that generate an OPC message are complete.

The *OPC command allows you to synchronize the operation of the oscilloscope with your application program. Examples of this commands usage are available(See page 3-7, *Synchronization Methods*.) The *OPC? query places the ASCII character "1" into the output queue when all such OPC commands are complete.

The *OPC? response is not available to read until all pending operations finish. (See page 3-852, *Status and Events*.)

Certain oscilloscope operations can affect the *OPC response. (See Table 3-3 on page 3-8.)

Group Status and Error

Syntax *OPC
*OPC?

Related Commands [BUSY?](#), [*WAI](#)

Examples *OPC generates the operation complete message in the SESR at the completion of all pending OPC operations.

*OPC? might return 1 to indicate that all pending OPC operations are finished.

PASSWord(No Query Form)

Enables the *PUD and NEWpass set commands. Sending PASSWord without any arguments disables these same commands. Once the password is successfully entered, the *PUD and NEWpass commands are enabled until the oscilloscope is powered off, or until the FACTory command or the PASSWord command with no arguments is issued.

To change the password, you must first enter the valid password with the PASSWord command and then change to your new password with the NEWpass command. Remember that the password is case sensitive.

Group Miscellaneous

Syntax PASSword <QString>

Related Commands [NEWpass](#), [*PUD](#)

Arguments <QString> is the password and can include up to 10 characters. The factory default password is “XYZZY” and is always valid.

Examples PASSWORD“XYZZY” enables the *PUD and NEWpass set commands.

PASSWORD disables the *PUB and NEWpass set commands. You can still use the query version of *PUD.

PAUSe (No Query Form)

This command causes the interface to pause the specified number of seconds before processing any other commands.

Group	Miscellaneous
Syntax	PAUSE <NR3>
Arguments	<NR3> is a floating-point number that represents the number of seconds the interface should pause before processing any other commands. It must be greater than 0.0 and less than or equal to 1800.0.
Examples	PAUSE 2.0 causes the interface to pause for 2 seconds before processing any other commands.

PICTBridge:DATEPrint

Enables or disables printing the date on the print output

Group	PictBridge
Syntax	PICTBridge:DATEPrint {DEFLT OFF ON} PICTBridge:DATEPrint?
Arguments	DEFLT is the default setting of the printer. ON enables the date print on the print output. OFF disables the date print on the print output.
Examples	PICTBRIDGE:DATEPRINT ON enables the date print on the print output. PICTBRIDGE:DATEPRINT? might return PICTBRIDGE:DATEPRINT DEFLT indicating the default setting of the printer.

PICTBridge:DEFault (No Query Form)

Sets the arguments for all PictBridge commands to their default values. The default values are same as printer default settings.

Group	PictBridge
Syntax	PICTBridge:DEFault

Examples PICTBRIDGE:DEFAULT sets all PICTBridge commands to their default values.

PICTBridge:IDPrint

Enables or disables printing the oscilloscope model and serial number on the print output.

Group PictBridge

Syntax PICTBridge:IDPrint {DEFLT|OFF|ON}
PICTBridge:IDPrint?

Arguments DEFLT is the default setting of the printer.
ON enables the oscilloscope model and serial number print on the print output.
OFF disables the oscilloscope model and serial number print on the print output.

Examples PICTBRIDGE:IDPRINT ON enables the printing of oscilloscope model and serial number on the print output.

PICTBRIDGE:IDPRINT? might return PICTBRIDGE:IDPRINT OFF indicating that the ID print is disabled on the print output.

PICTBridge:IMAGESize

This command specifies the image print size.

Group PictBridge

Syntax PICTBridge:IMAGESize
{DEFLT|IN2P5BY3P25|L|IN4BY6|L2|IN8BY10|L4|E|CARD|HAGAKIPcard
|CM6BY8|CM7BY10|CM9BY13|CM10BY15|CM13BY18|CM15BY21|CM18BY24|
A4|LETTER}
PICTBridge:IMAGESize?

Arguments DEFLT for a default image print size.
IN2P5BY3P25 for a 2_5*3_25 image print size.
L for a 3_5*5 image print size.

IN4BY6 for a 4*6 image print size.
L2 for a 5*7 image print size.
IN8BY10 for a 8*10 image print size.
L4 for a 254 MM*178 MM image print size.
E for a 110 MM*74 MM image print size.
CARD for a 89 MM*55 MM image print size.
HAGAKIPcard for a 100 MM*148 MM image print size.
CM6BY8 for a 6 CM*8 CM image print size.
CM7BY10 for a 7 CM*10 CM image print size.
CM9BY13 for a 9 CM*13 CM image print size.
CM10BY15 for a 10 CM*15 CM image print size.
CM13BY18 or a 13 CM*18 CM image print size.
CM15BY21 for a 15 CM*21 CM image print size.
CM18BY24 for a 18 CM*24 CM image print size.
A4 for a A4 image print size.
LETTER for a Letter image print size.

Examples PICTBRIDGE:IMAGESIZE CARD sets the image print size to 89 MM* 55 MM.
PICTBRIDGE:IMAGESIZE? might return PICTBRIDGE:IMAGESIZE DEFLT indicating the default image print size.

PICTBridge:PAPERSize

Sets the output print paper size.

Group PictBridge

Syntax PICTBridge:PAPERSize
DEFLT|L|L2|HAGAKIPCARD|MM54BY86|MM100BY150|IN4BY6|IN8BY10
|LETTER|IN11BY17|A0|A1|A2|A3|A4|A5|A6|A7|A8
|A9|B0|B1|B2|B3|B4|B5|B6|B7|B8|B9|ROLL89MM|ROLL127MM|ROLL100MM
|ROLL210MM}

PICTBridge:PAPERSize?

Arguments DEFLT for a default paper size.
L for a paper size L
L2 for a paper size 2L.
HAGAKIPCARD for a paper size Hagaki.
MM54BY86 for a card paper size.
MM100BY150 for paper size of 100*150 MM.
IN4BY6 for a paper size of 4*6.
IN8BY10 for a paper size of 8*10.
LETTER for a letter paper size.
IN11BY17 for a paper size of 11*17.
A0 for a A0 paper size.
A1 for a A1 paper size.
A2 for a A2 paper size.
A3 for a A3 paper size.
A4 for a A4 paper size.
A5 for a A5 paper size.
A6 for a A6 paper size.
A7 for a A7 paper size.
A8 for a A8 paper size..
A9 for a A9 paper size.
B0 for a B0 paper size.
B1 for a B1 paper size.
B2 for a B2 paper size.
B3 for a B3 paper size.
B4 for a B4 paper size.
B5 for a B5 paper size.
B6 for a B6 paper size.
B7 for a B7 paper size.
B8 for a B8 paper size.
B9 for a B9 paper size.
ROLL89MM for a 89 MM Roll paper size.

ROLL127MM for a 127 MM Roll paper size.

ROLL100MM for a 100 MM Roll paper size.

ROLL210MM for a 210 MM Roll paper size.

Examples PICTBRIDGE:PAPERSIZEL sets the paper size to L.
PICTBRIDGE:PAPERSIZE? might return PICTBRIDGE:PAPERSIZE DEFLT indicating the paper size is set to Default.

PICTBridge:PAPERType

This command specifies the paper type.

Group PictBridge

Syntax PICTBridge:PAPERType {DEFLT|PLAIN|PHOTO|FASTPHOTO}
PICTBridge:PAPERType?

Arguments DEFLT for a default print paper type.
PLAIN for a plain print paper type.
PHOTO for a photo print paper type.
FASTPHOTO for a fastphoto print paper type.

Examples PICTBRIDGE:PAPERTYPE PLAIN sets the paper type to Plain.
PICTBRIDGE:PAPERTYPE? might return PICTBRIDGE:PAPERTYPE DEFLT indicating the default paper type.

PICTBridge:PRINTQual

This command specifies the output print quality.

Group PictBridge

Syntax PICTBridge:PRINTQual {DEFLT|NRMAL|FINE|DRAFT}
PICTBridge:PRINTQual?

- Arguments** DEFLT for the default quality print.
 NORMAL for a normal quality print.
 FINE for a fine quality print.
 DRAFT for a draft quality print.
- Examples** PICTBRIDGE:PRINTQUAL FINE sets the print quality to Fine.
 PICTBRIDGE:PRINTQUAL? might return PICTBRIDGE:PRINTQUAL DEFLT indicating the default quality print.

POWER:CURRENTSource

This command specifies the current source for the power application.

- Conditions** This command requires a DPO4PWR application module.
- Group** Power
- Syntax** POWER:CURRENTSource {CH1|CH2|CH3|CH4|REF1|REF2|REF3|REF4}
 POWER:CURRENTSource?
- Arguments** CH1–CH4 sets an analog channel as the current source.
 REF1–REF4 sets a reference waveform as the current source.
- Examples** POWER:CURRENTSOURCE CH1 sets the current source as CH1.
 POWER:CURRENTSOURCE? might return POWER:CURRENTSOURCE CH2 indicating that CH2 is the current source.

POWER:DISPlay

This command specifies the display state for the power application. This is the equivalent to pressing the **Test** button and then selecting the power application. The same control is provided for each application.

- Conditions** This command requires a DPO4PWR application module.
- Group** Power

Syntax `POWER:DISPlay {OFF|ON|0|1}`
`POWER:DISPlay?`

Arguments OFF or 0 turns off the display settings.
 ON or 1 turns on the display settings.

Examples `POWER:DISPLAY 1` turns on the display.
 `POWER:DISPLAY?` might return `:POWER:DISPLAY 0` indicating that the display is off.

POWER:GATESource

This command specifies the gate source for the power application.

Conditions This command requires a DPO4PWR application module.

Group Power

Syntax `POWER:GATESource {CH1|CH2|CH3|CH4|REF1|REF2|REF3|REF4|NONE}`
`POWER:GATESource?`

Arguments CH1–CH4 sets an analog channel as the gate source.
 REF1–REF4 sets a reference waveform as the gate source.
 NONE is set when the gate source is not used in the application.

Examples `POWER:GATESOURCE CH1` sets the gated source as CH1.
 `POWER:GATESOURCE?` might return `POWER:GATESOURCE CH2` indicating that CH2 is the gated source.

POWER:GATing

This command specifies the power application gating.

Conditions This command requires a DPO4PWR application module.

Group Power

Syntax	<code>POWER:GATing {OFF SCREen CURSOR}</code> <code>POWER:GATing?</code>
Arguments	<p>OFF turns off measurement gating (full record).</p> <p>SCREen turns on gating, using the left and right edges of the screen.</p> <p>CURSOR limits measurements to the portion of the waveform between the vertical bar cursors, even if they are off screen.</p>
Examples	<p><code>POWER:GATING CURSOR</code> sets cursor gating on the oscilloscope.</p> <p><code>POWER:GATING?</code> might return <code>POWER:GATING OFF</code> indicating that gating is turned off on the oscilloscope.</p>

POWER:HARMONICS:DISPlay:SElect

This command specifies the harmonics to be displayed when the harmonics standard is NONE.

Conditions	This command requires a DPO4PWR application module.
Group	Power
Syntax	<code>POWER:HARMONICS:DISPlay:SElect {ODD EVEN ALL}</code> <code>POWER:HARMONICS:DISPlay:SElect?</code>
Arguments	<p>ODD to display only odd harmonics.</p> <p>EVEN to display only even harmonics.</p> <p>ALL to display both odd and even harmonics.</p>
Examples	<p><code>POWER:HARMONICS:DISPLAY:SELECT EVEN</code> displays only even harmonics.</p> <p><code>POWER:HARMONICS:DISPLAY:SELECT?</code> might return <code>:POWER:HARMONICS:DISPLAY:SELECT ALL</code> indicating that both odd and even harmonics are displayed.</p>

POWER:HARMONICS:DISPlay:TYPE

This command specifies the display type for harmonics tests.

Conditions	This command requires a DPO4PWR application module.
Group	Power
Syntax	POWER:HARMONICS:DISPlay:TYPE {GRaph TABle} POWER:HARMONICS:DISPlay:TYPE?
Arguments	GRaph displays harmonic tests results in graphical format. TABle displays harmonic tests results in tabular format.
Examples	POWER:HARMONICS:DISPLAY:TYPE GRaph sets the display type to graphical. POWER:HARMONICS:DISPLAY:TYPE? might return :POWER:HARMONICS:DISPLAY:TYPE TAB indicating that the display type is set to tabular.

POWER:HARMONICS:FREQRef

This command specifies the frequency reference used when the harmonic standard is None.

Conditions	This command requires a DPO4PWR application module.
Group	Power
Syntax	POWER:HARMONICS:FREQRef {VOLTage CURRent HARMSOURce FIXEDFREQUENCY} POWER:HARMONICS:FREQRef?
Arguments	VOLTage to use a voltage waveform as the frequency reference. CURRent to use a current waveform as the frequency reference. HARMSOURce to use a harmonic source waveform as the frequency reference. FIXEDFREQUENCY to use a fixed frequency value instead of a waveform for the frequency reference.
Examples	POWER:HARMONICS:FREQREF VOLTage sets voltage source as the frequency reference.

POWER:HARMONICS:FREQREF? might return :POWER:HARMONICS:FREQREF
FIXEDFREQ indicating that the frequency reference is a fixed value.

POWER:HARMONICS:FREQREF:FIXEDFREQVALUE

This command specifies the frequency value when the :FREQREF selection is
FIXEDFREQUENCY.

Conditions This command requires a DPO4PWR application module.

Group Power

Syntax POWER:HARMONICS:FREQREF:FIXEDFREQVALUE <NR3>
POWER:HARMONICS:FREQREF:FIXEDFREQVALUE?

Arguments <NR3> is a floating point number that specifies the fixed frequency value.

Examples POWER:HARMONICS:FREQREF:FIXEDFREQVALUE 100 sets the frequency to
100 Hz.

POWER:HARMONICS:FREQREF:FIXEDFREQVALUE? might return
:POWER:HARMONICS:FREQREF:FIXEDFREQVALUE 60 indicating that the fixed
frequency value is set to 60 Hz.

POWER:HARMONICS:IEC:CLASS

This command specifies the equipment class for IEC harmonics.

Conditions This command requires a DPO4PWR application module.

Group Power

Syntax POWER:HARMONICS:IEC:CLASS {A|B|C1|C2|C3|D}
POWER:HARMONICS:IEC:CLASS?

Arguments A specifies Class A Equipment.

B specifies Class B Equipment.

C1 specifies Class C Equipment that use Table 1 limits of the IEC standard.

C2 specifies Class C Equipment that use Table 2 limits of the IEC standard.

C3 specifies Class C Equipment that use Table 3 limits of the IEC standard.

D specifies Class D Equipment.

Examples POWER:HARMONICS:IEC:CLASSB sets Equipment Class B for IEC harmonics.
POWER:HARMONICS:IEC:CLASS? might return
:POWER:HARMONICS:IEC:CLASS A indicating that the Equipment Class is A for IEC harmonics.

POWer:HARMOncics:IEC:FILter

This command specifies the enabled state for filtering of IEC harmonics.

Conditions This command requires a DPO4PWR application module.

Group Power

Syntax Power:HARMOncics:IEC:FILter {OFF|ON|0|1}
Power:HARMOncics:IEC:FILter?

Arguments ON or 1 enables filtering of IEC harmonics.
OFF or 0 disables filtering of IEC harmonics.

Examples POWER:HARMONICS:IEC:FILTER OFF disables filtering of IEC harmonics.
POWER:HARMONICS:IEC:FILTER? might return
:POWER:HARMONICS:IEC:FILTER 1 indicating that the IEC harmonics are filtered.

POWer:HARMOncics:IEC:FUNDamental

This command specifies the rated fundamental current for IEC harmonics. Valid values ranges from 0 to 16 in increments of 0.1. The unit is ampere.

Conditions This command requires a DPO4PWR application module.

Group Power

Syntax	<code>Power:HARMonics:IEC:FUNDamental <NR3></code> <code>Power:HARMonics:IEC:FUNDamental?</code>
Arguments	<NR3> is a floating point number that specifies the fundamental current in amperes.
Examples	<code>POWER:HARMONICS:IEC:FUNDAMENTAL 1</code> sets the fundamental current to 1.0000 A. <code>POWER:HARMONICS:IEC:FUNDAMENTAL?</code> might return <code>:POWER:HARMONICS:IEC:FUNDAMENTAL 16</code> indicating that the fundamental current for IEC harmonics is set to 16.0000 A.

POWer:HARMonics:IEC:GROUPing

This command specifies the enabled state for grouping of IEC harmonics.

Conditions	This command requires a DPO4PWR application module.
Group	Power
Syntax	<code>Power:HARMonics:IEC:GROUPing {OFF ON 1 0}</code> <code>Power:HARMonics:IEC:GROUPing?</code>
Arguments	ON or 1 enables grouping of IEC harmonics. OFF or 0 disables grouping of IEC harmonics.
Examples	<code>POWER:HARMONICS:IEC:GROUPING OFF</code> disables grouping of IEC harmonics. <code>POWER:HARMONICS:IEC:GROUPING?</code> might return <code>:POWER:HARMONICS:IEC:GROUPING 1</code> indicating that the grouping is enabled for IEC harmonics.

POWer:HARMonics:IEC:INPUTPOWer

This command specifies the class D rated input power for IEC harmonics.

Conditions	This command requires a DPO4PWR application module.
-------------------	---

Group	Power
Syntax	<code>Power:HARMonics:IEC:INPUTPower <NR3></code> <code>Power:HARMonics:IEC:INPUTPower?</code>
Arguments	<NR3> is a floating point number that specifies the class D input power. Valid values ranges from 0 to 600 in increments of 10. The unit of measure is watt.
Examples	<code>POWER:HARMONICS:IEC:INPUTPOWER 600</code> sets the class D input power to 600 W. <code>POWER:HARMONICS:IEC:INPUTPOWER?</code> might return <code>:POWER:HARMONICS:IEC:INPUTPOWER 100</code> indicating that the class D input power is set to 100 W.

POWER:HARMonics:IEC:LINEFREQuency

This command specifies the line frequency for the IEC standard.

Conditions	This command requires a DPO4PWR application module.
Group	Power
Syntax	<code>Power:HARMonics:IEC:LINEFREQuency <NR1></code> <code>Power:HARMonics:IEC:LINEFREQuency?</code>
Arguments	<NR1> is an unsigned integer that specifies the line frequency. The valid values are 50 and 60.
Examples	<code>POWER:HARMONICS:IEC:LINEFREQUENCY 50</code> sets the line frequency to 50 Hz. <code>POWER:HARMONICS:IEC:LINEFREQUENCY?</code> might return <code>:POWER:HARMONICS:IEC:LINEFREQUENCY 60</code> indicating that the line frequency value is set to 60 Hz.

POWER:HARMonics:IEC:OBSPERiod

This command specifies the IEC observation period.

Conditions	This command requires a DPO4PWR application module.
-------------------	---

Group	Power
Syntax	POWER:HARMONICS:IEC:OBSPERIOD <NR3> POWER:HARMONICS:IEC:OBSPERIOD?
Arguments	<NR3> is a floating point number that specifies the IEC observation period. Valid values ranges from 0.2 to 10 s.
Examples	POWER:HARMONICS:IEC:OBSPERIOD 3 sets the IEC observation period to 3.0000 s. POWER:HARMONICS:IEC:OBSPERIOD? might return :POWER:HARMONICS:IEC:OBSPERIOD 10 indicating that the IEC observation period is set to 10 s.

POWER:HARMONICS:IEC:POWERFACTOR

This command specifies the rated power factor for IEC harmonics.

Conditions	This command requires a DPO4PWR application module.
Group	Power
Syntax	POWER:HARMONICS:IEC:POWERFACTOR <NR3> POWER:HARMONICS:IEC:POWERFACTOR?
Arguments	<NR3> is a floating point number that specifies the power factor. Valid values ranges from 0 to 1 in increments of 0.1.
Examples	POWER:HARMONICS:IEC:POWERFACTOR 1 sets the power factor to 1.0000. POWER:HARMONICS:IEC:POWERFACTOR? might return :POWER:HARMONICS:IEC:POWERFACTOR 900.0000E-03 indicating that the power factor is set to 0.9.

POWER:HARMONICS:MIL:FUNDamental:CALCmethod

This command specifies the measurement method for the MIL harmonics fundamental current for use in calculating limits.

Conditions	This command requires a DPO4PWR application module.
Group	Power
Syntax	POWER:HARMONICS:MIL:FUNDAMENTAL:CALCmethod {MEAS USER} POWER:HARMONICS:MIL:FUNDAMENTAL:CALCmethod?
Arguments	MEAS specifies that the value of the fundamental current used in calculating limits is measured. USER specifies that the value of the fundamental current used in calculated limits is user defined.
Examples	POWER:HARMONICS:MIL:FUNDAMENTAL:CALCMETHOD USER sets the measurement method to User. POWER:HARMONICS:MIL:FUNDAMENTAL:CALCMETHOD? might return :POWER:HARMONICS:MIL:FUNDAMENTAL:CALCMETHOD MEAS indicating that the measurement method is set to Meas.

POWER:HARMONICS:MIL:FUNDAMENTAL:USER:CURRENT

This command specifies RMS amperes for USER CALCmethod.

Conditions	This command requires a DPO4PWR application module.
Group	Power
Syntax	POWER:HARMONICS:MIL:FUNDAMENTAL:USER:CURRENT <NR3> POWER:HARMONICS:MIL:FUNDAMENTAL:USER:CURRENT?
Arguments	<NR3> is a floating point number that specifies the current in amperes for USER CALCmethod.
Examples	POWER:HARMONICS:MIL:FUNDAMENTAL:USER:CURRENT 2 sets the RMS fundamental current to 2 A in calculating limits. POWER:HARMONICS:MIL:FUNDAMENTAL:USER:CURRENT? might return :POWER:HARMONICS:MIL:FUNDAMENTAL:USER:CURRENT 1.0000 indicating that the RMS fundamental current for use in calculating limits is 1.0000 A.

POWer:HARMonics:MIL:LINEFREQuency

This command specifies the line frequency for MIL-STD-1399 Section 300A harmonics tests. Valid values are 60 or 400 Hz.

Conditions	This command requires a DPO4PWR application module.
Group	Power
Syntax	<code>POWer:HARMonics:MIL:LINEFREQuency <NR1></code> <code>POWer:HARMonics:MIL:LINEFREQuency?</code>
Arguments	<NR1> is an unsigned integer that specifies the line frequency for the MIL standard.
Examples	<code>POWer:HARMONICS:MIL:LINEFREQUENCY 60</code> sets the MIL line frequency to 60 Hz. <code>POWer:HARMONICS:MIL:LINEFREQUENCY?</code> might return <code>:POWer:HARMONICS:MIL:LINEFREQUENCY 400</code> indicating that the MIL line frequency is set to 400 Hz.

POWer:HARMonics:MIL:POWERLEVel

This command specifies the power level for calculating limits for MIL-STD-1399 Section 300A harmonics tests.

Conditions	This command requires a DPO4PWR application module.
Group	Power
Syntax	<code>POWer:HARMonics:MIL:POWERLEVel {LOW HIGH}</code> <code>POWer:HARMonics:MIL:POWERLEVel?</code>
Arguments	LOW specifies low power level for MIL-STD-1399 harmonics tests. HIGH specifies high power level for MIL-STD-1399 harmonics tests.

Examples `POWER:HARMONICS:MIL:POWERLEVEL HIGH` sets the MIL power level to High.
`POWER:HARMONICS:MIL:POWERLEVEL?` might return
`:POWER:HARMONICS:MIL:POWERLEVEL LOW` indicating that the MIL power level is set to Low.

POWER:HARMONICS:NR_HARMONICS

This command specifies the number of harmonics (value ranging from 20 to 400) when the harmonics standard is NONE.

Conditions This command requires a DPO4PWR application module.

Group Power

Syntax `Power:HARMONICS:NR_HARMONICS <NR3>`
`Power:HARMONICS:NR_HARMONICS?`

Arguments <NR3> is a floating point number that specifies the number of harmonics.

Examples `POWER:HARMONICS:NR_HARMONICS 100` sets the number of harmonics to 100.
`POWER:HARMONICS:NR_HARMONICS?` might return
`:POWER:HARMONICS:NR_HARMONICS 40` indicating that the number of harmonics is set to 40.

POWER:HARMONICS:RESULTS:HAR<1-400>:FREQUENCY? (Query Only)

Returns the frequency of the harmonic.

NOTE. *The query returns NA, if the current harmonic standard is set to a new standard other than the returned query.*

Conditions This command requires a DPO4PWR application module.

Group Power

Syntax `Power:HARMONICS:RESULTS:HAR<1-400>:FREQUENCY?`

Examples POWER:HARMONICS:RESULTS:HAR400:FREQUENCY? might return
:POWER:HARMONICS:RESULTS:HAR400:FREQUENCY 24000 indicating that
the harmonic frequency is set to 24000.

POWer:HARMOInics:RESuLts:HAR<1-400>:IECMAx? (Query Only)

The IEC Standard specifies harmonics measurements to be computed in time windows, with each time window being nominally 200 ms. This returns the maximum of the RMS magnitude of the harmonic, computed across successive 200 ms time windows within an observation period entered by the user.

NOTE. *The query returns NA, if the current harmonic standard is set to a new standard other than the returned query.*

Conditions This command requires a DPO4PWR application module.

Group Power

Syntax Power:HARMOInics:RESuLts:HAR<1-400>:IECMAx?

Examples POWER:HARMONICS:RESULTS:HAR400:IECMAx? might return
:POWER:HARMONICS:RESULTS:HAR400:IECMAx 1.0 indicating that the
maximum value is 1.0 A for the 400th harmonic.

POWer:HARMOInics:RESuLts:HAR<1-400>:LIMIt? (Query Only)

The IEC and MIL standards specify a limit for each harmonic magnitude. Returns the limit in absolute units, or as a percentage of the fundamental as specified by the standard. IEC Class C (Table 2) and MIL standards specify the limit as a percentage of the fundamental.

Conditions This command requires a DPO4PWR application module.

Group Power

Syntax Power:HARMOInics:RESuLts:HAR<1-400>:LIMIt?

Examples `POWER:HARMONICS:RESULTS:HAR3:LIMIT?` might return
: `POWER:HARMONICS:RESULTS:HAR3:LIMIT 2.30` indicating that
the harmonic magnitude limit for IEC standard for the 3rd harmonic is set to
2.30 A.

POWER:HARMONICS:RESULTS:HAR<1-400>:PHASE? (Query Only)

Returns the phase of the harmonic in degrees. The phase is measured relative to the zero-crossing of the reference waveform. When there is no reference waveform, the phase is relative to the fundamental component.

Conditions This command requires a DPO4PWR application module.

Group Power

Syntax `Power:HARMONICS:RESULTS:HAR<1-400>:PHASE?`

Examples `POWER:HARMONICS:RESULTS:HAR400:PHASE?` might return
: `POWER:HARMONICS:RESULTS:HAR400:PHASE 0` indicating that the harmonic
phase is set to 0 in degrees.

POWER:HARMONICS:RESULTS:HAR<1-400>:RMS:ABSOLUTE? (Query Only)

Returns the RMS magnitude of the harmonic in absolute units.

Conditions This command requires a DPO4PWR application module.

Group Power

Syntax `Power:HARMONICS:RESULTS:HAR<1-400>:RMS:ABSOLUTE?`

Examples `POWER:HARMONICS:RESULTS:HAR400:RMS:ABSOLUTE?` might return
: `POWER:HARMONICS:RESULTS:HAR400:RMS:ABSOLUTE 1.0` indicating that
the RMS magnitude of the harmonic is set to 1.0 A.

POWer:HARMonics:RESuLts:HAR<1-400>:RMS:PERCent? (Query Only)

Returns the RMS magnitude of the harmonic expressed as a percentage of the fundamental.

Conditions This command requires a DPO4PWR application module.

Group Power

Syntax `POWer:HARMonics:RESuLts:HAR<1-400>:RMS:PERCent?`

Examples `POWer:HARMONICS:RESULTS:HAR400:RMS:PERCENT?` might return `:POWer:HARMONICS:RESULTS:HAR400:RMS:PERCENT 33` indicating that the RMS magnitude of the harmonic is set to 33%.

POWer:HARMonics:RESuLts:HAR<1-400>:TEST:IEC:CLASSALIMit? (Query Only)

Specifies if the IEC Class A higher harmonic limit (and conditions) are met.

NOTE. *The query returns NA if the standard does not specify a limit or the equipment is not class A.*

Conditions This command requires a DPO4PWR application module.

Group Power

Syntax `POWer:HARMonics:RESuLts:HAR<1-400>:TEST:IEC:CLASSALIMit?`

Returns PASS, FAIL, or NA.

POWer:HARMonics:RESuLts:HAR<1-400>:TEST:IEC:NORMAL? (Query Only)

Specifies if the Normal IEC harmonic limits are met.

NOTE. *The query returns NA if the standard does not specify a limit.*

Conditions This command requires a DPO4PWR application module.

Group	Power
Syntax	POWER:HARMONics:RESuLts:HAR<1-400>:TEST:IEC:NORMAL?
Returns	PASS, FAIL, or NA.

POWER:HARMONics:RESuLts:HAR<1-400>:TEST:IEC:POHCLIMit? (Query Only)

Specifies if the higher harmonic limit (and conditions) for the 21st and higher order odd harmonics are met.

NOTE. *The query returns NA if the limit does not apply for a specific harmonic.*

Conditions This command requires a DPO4PWR application module.

Group	Power
Syntax	POWER:HARMONics:RESuLts:HAR<1-400>:TEST:IEC:POHCLIMit?
Returns	PASS, FAIL, or NA.

POWER:HARMONics:RESuLts:HAR<1-400>:TEST:MIL:NORMAL? (Query Only)

Returns the test result for the specified harmonic for the MIL-STD-1399 Section 300A testing standard.

This query is analogous to that for the IEC 61000-3-2 standard
[POWER:HARMONics:RESuLts:HAR<1-400>:TEST:IEC:NORMAL?](#) command.

NOTE. *The query returns NA if the standard does not specify a limit for the specific harmonic.*

Conditions This command requires a DPO4PWR application module.

Group	Power
Syntax	POWER:HARMONics:RESuLts:HAR<1-400>:TEST:MIL:NORMAL?

Returns PASS, FAIL, or NA.

POWer:HARMonics:RESuLts:IEC:FUNDamental? (Query Only)

Returns the IEC fundamental current used in calculating limits.

Conditions This command requires a DPO4PWR application module.

Group Power

Syntax POWer:HARMonics:RESuLts:IEC:FUNDamental?

Examples POWer:HARMonics:RESuLts:IEC:FUNDamental? might return
:POWer:HARMonics:RESuLts:IEC:FUNDamental 1.0 indicating that the
IEC fundamental frequency is set to 1.0 A.

POWer:HARMonics:RESuLts:IEC:HARM3ALternate? (Query Only)

Returns the IEC harmonics test result for the 3rd harmonic.

NOTE. *The query returns NA if the limit does not apply.*

Conditions This command requires a DPO4PWR application module.

Group Power

Syntax POWer:HARMonics:RESuLts:IEC:HARM3ALternate?

Returns PASS, FAIL, or NA.

Examples POWer:HARMonics:RESuLts:IEC:HARM3ALternate? might return
POWer:HARMonics:RESuLts:IEC:HARM3ALternate PASS indicating the
test result.

POWer:HARMOInics:RESuLts:IEC:HARM5ALTErnate? (Query Only)

Returns the overall harmonics test result for the 5th harmonic.

NOTE. *The query returns NA the harmonic limit does not apply.*

Conditions	This command requires a DPO4PWR application module.
Group	Power
Syntax	POWer:HARMOInics:RESuLts:IEC:HARM5ALTErnate?
Returns	PASS, FAIL, or NA.
Examples	POWer:HARMOInics:RESuLts:IEC:HARM5ALTErnate? might return POWer:HARMOInics:RESuLts:IEC:HARM5ALTErnate PASS indicating the test result.

POWer:HARMOInics:RESuLts:IEC:POHC? (Query Only)

Returns the IEC POHC measurement.

Conditions	This command requires a DPO4PWR application module.
Group	Power
Syntax	POWer:HARMOInics:RESuLts:IEC:POHC?
Examples	POWer:HARMOInics:RESuLts:IEC:POHC? might return :POWer:HARMOInics:RESuLts:IEC:POHC 0.5 indicating that the IEC POHC is set to 0.5 A.

POWer:HARMOInics:RESuLts:IEC:POHL? (Query Only)

Returns the IEC POHL measurement.

Conditions	This command requires a DPO4PWR application module.
-------------------	---

Group	Power
Syntax	POWER:HARMONICS:RESULTS:IEC:POHL?
Examples	POWER:HARMONICS:RESULTS:IEC:POHL? might return :POWER:HARMONICS:RESULTS:IEC:POHL 0.5 indicating that the IEC POHL is set to 0.5 A.

POWER:HARMONICS:RESULTS:IEC:POWER? (Query Only)

Returns the IEC input power that is used to calculate limits.

Conditions	This command requires a DPO4PWR application module.
Group	Power
Syntax	POWER:HARMONICS:RESULTS:IEC:POWER?
Examples	POWER:HARMONICS:RESULTS:IEC:POWER? might return :POWER:HARMONICS:RESULTS:IEC:POWER 5 indicating that the IEC power is set to 5 W.

POWER:HARMONICS:RESULTS:IEC:POWERFACTOR? (Query Only)

Returns the IEC power factor measurement.

Conditions	This command requires a DPO4PWR application module.
Group	Power
Syntax	POWER:HARMONICS:RESULTS:IEC:POWERFACTOR?
Examples	POWER:HARMONICS:RESULTS:IEC:POWERFACTOR? might return :POWER:HARMONICS:RESULTS:IEC:POWERFACTOR 9.1900E+37 indicating that the IEC power factor is set to 9.1900E+37.

POWer:HARMOncics:RESuLts:PASSFail? (Query Only)

Returns the overall harmonics test result: PASS, FAIL or NA.

Conditions This command requires a DPO4PWR application module.

Group Power

Syntax POWer:HARMOncics:RESuLts:PASSFail?

Examples POWer:HARMOncics:RESuLts:PASSFail? might return
:POWer:HARMOncics:RESuLts:PASSFail PASS indicating that the
harmonics test passed.

POWer:HARMOncics:RESuLts:RMS? (Query Only)

Returns the root mean square value of the harmonics source waveform.

Conditions This command requires a DPO4PWR application module.

Group Power

Syntax POWer:HARMOncics:RESuLts:RMS?

Examples POWer:HARMOncics:RESuLts:RMS? might return
:POWer:HARMOncics:RESuLts:RMS 1.0 indicating that the harmonics source
waveform RMS is set to 1.0.

POWer:HARMOncics:RESuLts:SAVe (No Query Form)

Saves the harmonic results to the specified file in CSV format.

Conditions This command requires a DPO4PWR application module.

Group Power

Syntax POWer:HARMOncics:RESuLts:SAVe <String>

POWer:HARMonics:RESuLts:THDF? (Query Only)

Returns the Total Harmonic Distortion (THD) in percentage, measured as a ratio to the RMS value of the fundamental component of the source waveform.

Conditions This command requires a DPO4PWR application module.

Group Power

Syntax `POWer:HARMonics:RESuLts:THDF?`

Examples `POWer:HARMONICS:RESULTS:THDF?` might return
`:POWER:HARMONICS:RESULTS:THDF 40` indicating that the THDF is set to 40.

POWer:HARMonics:RESuLts:THDR? (Query Only)

Returns the Total Harmonic Distortion (THD) in percentage, measured as a ratio to the RMS value of the source waveform.

Conditions This command requires a DPO4PWR application module.

Group Power

Syntax `POWer:HARMonics:RESuLts:THDR?`

Examples `POWer:HARMONICS:RESULTS:THDR?` might return
`:POWER:HARMONICS:RESULTS:THDR 40` indicating that the THDR is set to 40.

POWer:HARMonics:SOURce

This command specifies the source waveform for harmonics tests. The voltage source waveform is specified using the [POWer:VOLTAGESource](#) command and the current waveform is specified using the [POWer:CURRENTSource](#) command.

Conditions This command requires a DPO4PWR application module.

Group Power

Syntax `POWER:HARMONics:SOURce {VOLTage|CURRENT}`
`POWER:HARMONics:SOURce?`

Arguments `VOLTage` specifies voltage source waveform for harmonic tests.
`CURRENT` specifies current source waveform for harmonic tests.

Examples `POWER:HARMONICS:SOURCE VOLTage` sets voltage source for harmonic tests.
`POWER:HARMONICS:SOURCE?` might return `:POWER:HARMONics:SOURCE`
`CURRENT` indicating that the harmonic source is set to current.

POWER:HARMONics:STANDARD

This command specifies the standard for harmonics tests.

Conditions This command requires a DPO4PWR application module.

Group Power

Syntax `POWER:HARMONics:STANDARD {NONE|IEC|MIL}`
`POWER:HARMONics:STANDARD?`

Arguments `NONE` sets no standard for harmonic tests.
`IEC` sets IEC 610003-2 standard for harmonic tests.
`MIL` sets MIL1399 standard for harmonic tests.

Examples `POWER:HARMONICS:STANDARD IEC` sets IEC standard for harmonic tests.
`POWER:HARMONICS:STANDARD?` might return `:POWER:HARMONics:STANDARD`
`NONE` indicating that no standard is set.

POWER:INDICators

This command specifies the state of the measurement indicators for the power application.

Conditions This command requires a DPO4PWR application module.

Group	Power
Syntax	POWER:INDICATORS {OFF ON 0 1} POWER:INDICATORS?
Arguments	OFF or 0 turns off the measurement indicators. ON or 1 turns on the measurement indicators.
Examples	POWER:INDICATORS 1 turns on the indicator. POWER:INDICATORS? might return :POWER:INDICATORS 0 indicating that the indicator is off.

POWER:MODulation:SOURCE

This command specifies the source waveform for modulation tests. The voltage source waveform is specified using the [POWER:VOLTAGESource](#) command and the current waveform is specified using the [POWER:CURRENTSource](#) command.

Conditions	This command requires a DPO4PWR application module.
Group	Power
Syntax	POWER:MODulation:SOURCE {VOLTage CURRENT} POWER:MODulation:SOURCE?
Arguments	VOLTage specifies voltage source waveform for modulation tests. CURRENT specifies current source waveform for modulation tests.
Examples	POWER:MODULATION:SOURCE CURRENT sets the modulation source to Current. POWER:MODULATION:SOURCE? might return :POWER:MODULATION:SOURCE VOLT indicating that the modulation source is set to Voltage.

POWER:MODulation:TYPE

This command specifies the modulation type.

Conditions	This command requires a DPO4PWR application module.
Group	Power
Syntax	<pre>POWER:MODulation:TYPE {PWidth NWidth PERIod PDuty NDuty FREQUENCY} POWER:MODulation:TYPE?</pre>
Arguments	<p>PWidth (positive width) is the distance (time) between the middle reference (default = 50%) amplitude points of a positive pulse. The measurement is made on all the cycles in the waveform or gated region.</p> <p>NWidth (negative width) measurement is the distance (time) between the middle reference (default = 50%) amplitude points of a negative pulse. The measurement is made on all the cycles in the waveform or gated region.</p> <p>PERIod is the time required to complete the first cycle in a waveform or the gated region. The time is measured between the mid reference (default being 50%) amplitude points of the waveform.</p> <p>PDuty (positive duty cycle) is the ratio of the positive pulse width to the signal period, expressed as a percentage. It is measured on all the cycles in the waveform or gated region.</p> $\text{Positive Duty Cycle} = ((\text{Positive Width}) / \text{Period}) \times 100\%$ <p>NDuty (negative duty cycle) is the ratio of the negative pulse width to the signal period, expressed as a percentage. The duty cycle is measured on all the cycles in the waveform or gated region.</p> $\text{Negative Duty Cycle} = ((\text{Negative Width}) / \text{Period}) \times 100\%$ <p>FREQUENCY measures all the cycles in the waveform or gated region. Frequency is the reciprocal of the period and is measured in hertz (Hz), where 1 Hz = 1 cycle per second.</p> $\text{Frequency} = 1 / \text{Period}$
Examples	<p>POWER:MODULATION:TYPE NWIDTH sets the modulation type to Negative Width.</p> <p>POWER:MODULATION:TYPE? might return :POWER:MODULATION:TYPE PWI indicating that the modulation type is set to Positive Width.</p>

POWER:QUALity:APPpwr? (Query Only)

Returns the apparent power measurement.

Conditions	This command requires a DPO4PWR application module.
Group	Power
Syntax	POWER:QUALITY:APPpwr?
Examples	POWER:QUALITY:APPpwr? might return :POWER:QUALITY:APPpwr 100 indicating that the apparent power value is set to 100 VA.

POWER:QUALITY:DISplay:APPpwr

This command specifies the display state for the apparent power readout.

Conditions	This command requires a DPO4PWR application module.
Group	Power
Syntax	POWER:QUALITY:DISplay:APPpwr {OFF ON 0 1} POWER:QUALITY:DISplay:APPpwr?
Arguments	OFF or 0 turns off the apparent power display. ON or 1 turns on the apparent power display.
Examples	POWER:QUALITY:DISPLAY:APPpwr 1 turns on the apparent power display. POWER:QUALITY:DISPLAY:APPpwr? might return :POWER:QUALITY:DISPLAY:APPpwr 0 indicating that the apparent power display is off.

POWER:QUALITY:DISplay:FREquency

This command specifies the display state for the frequency readout.

Conditions	This command requires a DPO4PWR application module.
Group	Power

Syntax `Power:QUALity:DISplay:FREQuency {OFF|ON|0|1}`
`Power:QUALity:DISplay:FREQuency?`

Arguments OFF or 0 turns off the frequency display.
ON or 1 turns on the frequency display.

Examples `POWER:QUALITY:DISPLAY:FREQUENCY 1` turns on the frequency readout display.
`POWER:QUALITY:DISPLAY:FREQUENCY?` might return
`:POWER:QUALITY:DISPLAY:FREQUENCY 0` indicating that the frequency readout display is off.

POWER:QUALity:DISplay:ICRESTfactor

This command specifies the display state for the current crest factor readout.

Conditions This command requires a DPO4PWR application module.

Group Power

Syntax `Power:QUALity:DISplay:ICRESTfactor {OFF|ON|0|1}`
`Power:QUALity:DISplay:ICRESTfactor?`

Arguments OFF or 0 turns off the current crest factor display.
ON or 1 turns on the current crest factor display.

Examples `POWER:QUALITY:DISPLAY:ICRESTFACTOR 1` turns on the current crest factor display.
`POWER:QUALITY:DISPLAY:ICRESTFACTOR?` might return
`:POWER:QUALITY:DISPLAY:ICRESTFACTOR 0` indicating that the current crest factor display is off.

POWER:QUALity:DISplay:IRMS

This command specifies the display state for the rms current readout.

Conditions This command requires a DPO4PWR application module.

Group	Power
Syntax	POWER:QUALITY:DISPlay:IRMS {OFF ON 0 1} POWER:QUALITY:DISPlay:IRMS?
Arguments	OFF or 0 turns off the rms current display. ON or 1 turns on the rms current display.
Examples	POWER:QUALITY:DISPLAY:IRMS 1 turns on the rms current display. POWER:QUALITY:DISPLAY:IRMS? might return :POWER:QUALITY:DISPLAY:IRMS 0 indicating that the rms current display is off.

POWER:QUALITY:DISPlay:PHASEangle

This command specifies the display state for the phase angle readout.

Conditions	This command requires a DPO4PWR application module.
Group	Power
Syntax	POWER:QUALITY:DISPlay:PHASEangle {OFF ON 0 1} POWER:QUALITY:DISPlay:PHASEangle?
Arguments	OFF or 0 turns off the phase angle display. ON or 1 turns on the phase angle display.
Examples	POWER:QUALITY:DISPLAY:PHASEANGLE 1 turns on the phase angle display. POWER:QUALITY:DISPLAY:PHASEANGLE? might return :POWER:QUALITY:DISPLAY:PHASEANGLE 0 indicating that the phase angle display is off.

POWER:QUALITY:DISPlay:POWERFACTOR

This command specifies the display state for the power factor readout.

Conditions	This command requires a DPO4PWR application module.
-------------------	---

Group	Power
Syntax	<code>POWER:QUALITY:DISPlay:POWERFACTOR {OFF ON 0 1}</code> <code>POWER:QUALITY:DISPlay:POWERFACTOR?</code>
Arguments	OFF or 0 turns off the power factor display. ON or 1 turns on the power factor display.
Examples	<code>POWER:QUALITY:DISPLAY:POWERFACTOR 1</code> turns on the power factor display. <code>POWER:QUALITY:DISPLAY:POWERFACTOR?</code> might return <code>:POWER:QUALITY:DISPLAY:POWERFACTOR 0</code> indicating that the power factor display is off.

POWER:QUALITY:DISPlay:REACTpwr

This command specifies the display state for the reactor power readout.

Conditions	This command requires a DPO4PWR application module.
Group	Power
Syntax	<code>POWER:QUALITY:DISPlay:REACTpwr {OFF ON 0 1}</code> <code>POWER:QUALITY:DISPlay:REACTpwr?</code>
Arguments	OFF or 0 turns off the reactor power display. ON or 1 turns on the reactor power display.
Examples	<code>POWER:QUALITY:DISPLAY:REACTPWR 1</code> turns on the reactor power display. <code>POWER:QUALITY:DISPLAY:REACTPWR?</code> might return <code>:POWER:QUALITY:DISPLAY:REACTPWR 0</code> indicating that the reactor power display is off.

POWER:QUALITY:DISPlay:TRUEpwr

This command specifies the display state for the true power readout.

Conditions	This command requires a DPO4PWR application module.
-------------------	---

Group	Power
Syntax	POWER:QUALITY:DISPlay:TRUEpwr {OFF ON 0 1} POWER:QUALITY:DISPlay:TRUEpwr?
Arguments	OFF or 0 turns off the true power display. ON or 1 turns on the true power display.
Examples	POWER:QUALITY:DISPLAY:TRUEPWR 1 turns on the true power display. POWER:QUALITY:DISPLAY:TRUEPWR? might return :POWER:QUALITY:DISPLAY:TRUEPWR 0 indicating that the true power display is off.

POWER:QUALITY:DISPlay:VCRESTfactor

This command specifies the display state for the voltage crest factor readout.

Conditions	This command requires a DPO4PWR application module.
Group	Power
Syntax	POWER:QUALITY:DISPlay:VCRESTfactor {OFF ON 0 1} POWER:QUALITY:DISPlay:VCRESTfactor?
Arguments	OFF or 0 turns off the voltage crest factor display. ON or 1 turns on the voltage crest factor display.
Examples	POWER:QUALITY:DISPLAY:VCRESTFACTOR 1 turns on the voltage crest factor display. POWER:QUALITY:DISPLAY:VCRESTFACTOR? might return :POWER:QUALITY:DISPLAY:VCRESTFACTOR 0 indicating that the voltage crest factor display is off.

POWER:QUALITY:DISPlay:VRMS

This command specifies the display state for the rms voltage readout.

Conditions	This command requires a DPO4PWR application module.
Group	Power
Syntax	POWER:QUALITY:DISpLAY:VRMS {OFF ON 0 1} POWER:QUALITY:DISpLAY:VRMS?
Arguments	OFF or 0 turns off the rms voltage display. ON or 1 turns on the rms voltage display.
Examples	POWER:QUALITY:DISPLAY:VRMS0 turns off the rms voltage display. POWER:QUALITY:DISPLAY:VRMS? might return :POWER:QUALITY:DISPLAY:VRMS 1 indicating that the rms voltage display is on.

POWER:QUALITY:FREQREference

This command specifies the power quality frequency reference.

Conditions	This command requires a DPO4PWR application module.
Group	Power
Syntax	POWER:QUALITY:FREQREference {VOLTage CURRENT} POWER:QUALITY:FREQREference?
Arguments	VOLTage sets voltage as the power quality frequency reference source. CURRENT sets current as the power quality frequency reference source.
Examples	POWER:QUALITY:FREQREFERENCE CURRENT sets current as the power quality frequency reference source. POWER:QUALITY:FREQREFERENCE? might return :POWER:QUALITY:FREQREFERENCE VOLTAGE indicating that the power quality frequency reference source is set to Voltage.

POWer:QUALity:FREQuency? (Query Only)

Returns the frequency measurement.

Conditions This command requires a DPO4PWR application module.

Group Power

Syntax POWer:QUALity:FREQuency?

Examples POWer:QUALITY:FREQUENCY? might return :POWER:QUALITY:FREQUENCY 60 indicating that the frequency is set to 60 Hz.

POWer:QUALity:ICRESTfactor? (Query Only)

Returns the current crest factor measurement.

Conditions This command requires a DPO4PWR application module.

Group Power

Syntax POWer:QUALity:ICRESTfactor?

Examples POWer:QUALITY:ICRESTFACTOR? might return :POWER:QUALITY:ICRESTfactor 1.4 indicating that the current crest factor value is set to 1.4.

POWer:QUALity:IRMS? (Query Only)

Returns the RMS current measurement.

Conditions This command requires a DPO4PWR application module.

Group Power

Syntax POWer:QUALity:IRMS?

Examples POWER:QUALITY:IRMS? might return :POWER:QUALITY:IRMS 1.00 indicating that the RMS current value is set to 1.00 A.

POWER:QUALITY:PHASEAngle? (Query Only)

Returns the phase angle measurement.

Conditions This command requires a DPO4PWR application module.

Group Power

Syntax POWER:QUALITY:PHASEAngle?

Examples POWER:QUALITY:PHASEANGLE? might return :POWER:QUALITY:PHASEANGLE 0 indicating that the phase angle is set to 0.

POWER:QUALITY:POWERFACTOR? (Query Only)

Returns the power factor measurement.

Conditions This command requires a DPO4PWR application module.

Group Power

Syntax POWER:QUALITY:POWERFACTOR?

Examples POWER:QUALITY:POWERFACTOR? might return :POWER:QUALITY:POWERFACTOR 1.0 indicating that the power factor is set to 1.0.

POWER:QUALITY:REACTpwr? (Query Only)

Returns the reactive power measurement.

Conditions This command requires a DPO4PWR application module.

Group Power

Syntax `Power:QUALity:REACTpwr?`

Examples `POWER:QUALITY:REACTPWR?` might return `:POWER:QUALITY:REACTpwr 100` indicating that the reactor power value is set to 100 VAR.

POWER:QUALity:TRUEpwr? (Query Only)

Returns the true power measurement.

Conditions This command requires a DPO4PWR application module.

Group Power

Syntax `Power:QUALity:TRUEpwr?`

Examples `POWER:QUALITY:TRUEPWR?` might return `:POWER:QUALITY:TRUEpwr 1000 w` indicating that the true power value is set to 1000 W.

POWER:QUALity:VCRESTfactor? (Query Only)

This query returns the measurement for the voltage crest factor.

Conditions This command requires the optional power analysis application module DPO4PWR

Group Power

Syntax `Power:QUALity:VCRESTfactor?`

Related Commands [POWER:QUALity:DISplay:ICRESTfactor](#),
[APPLication:TYPE](#)
[POWER:TYPE](#)

Returns Floating point number.

- Examples** `Power:QUALity:VCRESTfactor?` might return 1.4, indicating that the crest factor is 1.4.
- `Power:QUALity:VCRESTfactor?` might return 9.9100E+37, indicating that the voltage crest factor measurement has not been computed.

POWer:QUALity:VRMS? (Query Only)

Returns the RMS voltage measurement.

- Conditions** This command requires a DPO4PWR application module.
- Group** Power
- Syntax** `Power:QUALity:VRMS?`
- Examples** `POWER:QUALITY:VRMS?` might return `:POWER:QUALITY:VRMS 115` indicating that the rms voltage value is set to 115 V.

POWer:REFLevel:ABSolute (No Query Form)

This command sets the reference levels to be used for power measurements their default unit values.

- Conditions** This command requires a DPO4PWR application module.
- Group** Power
- Syntax** `Power:REFLevel:ABSolute {SETTODEFau}ts}`
- Arguments** `SETTODEFau}ts` sets the reference levels to their default values.

POWer:REFLevel:ABSolute:HIGH

This command specifies the top reference level to be used for power measurements.

- Conditions** This command requires a DPO4PWR application module.

Group	Power
Syntax	POWER:REFLevel:ABSolute:HIGH <NR3>; Ranges={D,-1e6,+1E6} POWER:REFLevel:ABSolute:HIGH?
Arguments	<NR3> is a floating point number that specifies the absolute high value in volts. Default value is 0.0E+0
Examples	POWER:REFLEVEL:ABSOLUTE:HIGH 2 sets the absolute high value to 2.000. POWER:REFLEVEL:ABSOLUTE:HIGH? might return POWER:REFLEVEL:ABSOLUTE:HIGH 2 indicating that the absolute high value is set to 2 V.

POWER:REFLevel:ABSolute:LOW

This command specifies the low reference level to be used for power measurements.

Conditions	This command requires a DPO4PWR application module.
Group	Power
Syntax	POWER:REFLevel:ABSolute:LOW <NR3>; Ranges={D,-1e6,+1E6} POWER:REFLevel:ABSolute:LOW?
Arguments	<NR3> is a floating point number that specifies the absolute low value in volts. Default value is 0.0E+0.
Examples	POWER:REFLEVEL:ABSOLUTE:LOW 1.0 sets the absolute high value to 1.0000. POWER:REFLEVEL:ABSOLUTE:LOW? might return POWER:REFLEVEL:ABSOLUTE:LOW 1.0000 indicating that the absolute low value is set to 1 V.

POWER:REFLevel:ABSolute:MID<x>

This command specifies the mid reference level to be used for power measurements. MID1 is used on the user's voltage waveform. MID2 is used on the user's current waveform. MID3 is used on the user's gate waveform. (MID3 is specific to the power application.)

Conditions	This command requires a DPO4PWR application module.
Group	Power
Syntax	POWER:REFLevel:ABSolute:MID<x> <NR3>; Ranges={D, -1e6, +1E6} POWER:REFLevel:ABSolute:MID<x>?
Arguments	<NR3> is a floating point number that specifies the absolute mid reference value.
Examples	POWER:REFLEVEL:ABSOLUTE:MID1 1 sets the mid reference voltage to 1V. POWER:REFLEVEL:ABSOLUTE:MID1? might return POWER:REFLEVEL:ABSOLUTE:MID1 0.0E+0 indicating that the absolute reference voltage level is set to 0.0E+0 V.

POWER:REFLevel:HYSTeresis

This command specifies the reference level hysteresis value to be used for power measurements.

Conditions	This command requires a DPO4PWR application module.
Group	Power
Syntax	POWER:REFLevel:HYSTeresis <NR3> POWER:REFLevel:HYSTeresis?
Arguments	<NR3> is a floating point number that specifies the hysteresis value.
Examples	POWER:REFLEVEL:HYSTERESIS 30 sets the hysteresis value to 30. POWER:REFLEVEL:HYSTERESIS? might return POWER:REFLEVEL:HYSTERESIS 10 indicating that the hysteresis value is set to 10.

POWER:REFLevel:METHod

This command specifies the method used to calculate the 0% and 100% reference level to be used for power measurements.

Conditions	This command requires a DPO4PWR application module.
Group	Power
Syntax	<code>POWER:REFLevel:METHOD {ABSolute PERCent}</code> <code>POWER:REFLevel:METHOD?</code>
Arguments	<p><code>ABSolute</code> specifies that the reference levels are set explicitly using the <code>MEASUREMENT:REFLevel:ABSolute</code> commands. This method is useful when precise values are required.</p> <p><code>PERCent</code> specifies that the reference levels are calculated as a percent of the signal amplitude. The percentages are defined using the <code>MEASUREMENT:REFLevel:PERCent</code> commands.</p>
Examples	<p><code>POWER:REFLEVEL:METHOD ABSOLUTE</code> specifies that explicit user-defined values are used for the reference levels.</p> <p><code>POWER:REFLEVEL:METHOD?</code> might return <code>POWER:REFLEVEL:METHOD PERCENT</code> indicating that the reference level units used are calculated as a percent relative to HIGH and LOW.</p>

POWER:REFLevel:PERCent (No Query Form)

This command sets the reference levels to be used for power measurements to the default percentage values.

Conditions	This command requires a DPO4PWR application module.
Group	Power
Syntax	<code>POWER:REFLevel:PERCent <SETTODEFaulTs></code>
Arguments	<code>SETTODEFaulTs</code> sets the reference levels to their default percentage values.

POWER:REFLevel:PERCent:HIGH

This command specifies the top reference percent level to be used for power measurements.

Conditions	This command requires a DPO4PWR application module.
Group	Power
Syntax	POWER:REFLevel:PERCent:HIGH <NR3>; Ranges={D,0.0,100.0} POWER:REFLevel:PERCent:HIGH?
Arguments	<NR3> is a floating point number that specifies the high value in percent.
Examples	POWER:REFLEVEL:PERCENT:HIGH 95 sets the high reference level to 95% of the signal amplitude. POWER:REFLEVEL:PERCENT:HIGH? might return :POWER:REFLEVEL:PERCENT:HIGH 90 indicating that the percentage high reference level is set to 90% of the signal amplitude.

POWER:REFLevel:PERCent:LOW

This command specifies the low reference percent level to be used for power measurements.

Conditions	This command requires a DPO4PWR application module.
Group	Power
Syntax	POWER:REFLevel:PERCent:LOW <NR3>; Ranges={D,0.0,100.0} POWER:REFLevel:PERCent:LOW?
Arguments	<NR3> is a floating point number that specifies the low value in percentage.
Examples	POWER:REFLEVEL:PERCENT:LOW 15 sets the low reference level to 15% of the signal amplitude. POWER:REFLEVEL:PERCENT:LOW? might return :POWER:REFLEVEL:PERCENT:LOW 10 indicating that the percentage low reference level is set to 90% of the signal amplitude.

POWER:REFLevel:PERCent:MID<x>

This command specifies one of 3 mid reference percentage levels to be used for power measurements. MID1 is used on the user's voltage waveform. MID2 is used on the user's current waveform. MID3 is used on the user's gate waveform. (MID3 is specific to power applications.)

Conditions	This command requires a DPO4PWR application module.
Group	Power
Syntax	POWER:REFLevel]:PERCent:MID<x> <NR3>; Ranges={D,0.0,100.0} POWER:REFLevel]:PERCent:MID<x>?
Arguments	<NR3> is a floating point number that specifies the mid value in percentage.
Examples	POWER:REFLEVEL:PERCENT:MID1 25 sets the mid reference voltage to 25%. POWER:REFLEVEL:PERCENT:MID1? might return POWER:REFLEVEL:PERCENT:MID1 50.0000 indicating that the mid reference voltage level is set to 50%.

POWER:RIPPLE (No Query Form)

This command performs a vertical autoset for ripple measurements or sets the vertical offset to 0.

Conditions	This command requires a DPO4PWR application module.
Group	Power
Syntax	POWER:RIPPLE {VERTAUTOSet VERTDEFault}
Arguments	VERTAUTOSet automatically scales the source waveform to optimize ripple measurements. VERTDEFault sets the vertical offset of the source waveform to 0 volts (for voltage source) or 0 amperes (for current source).

POWER:RIPPLE:RESULTS:AMPLITUDE? (Query Only)

Returns the peak-to-peak ripple measurement.

Conditions This command requires a DPO4PWR application module.

Group Power

Syntax POWER:RIPPLE:RESULTS:AMPLITUDE?

Examples POWER:RIPPLE:RESULTS:AMPLITUDE? might return
:POWER:RIPPLE:RESULTS:AMPLITUDE 1 indicating that the peak-to-peak
amplitude is set to 1 V.

POWER:RIPPLE:RESULTS:MAX? (Query Only)

Returns the maximum of the peak-to-peak ripple measurements.

Conditions This command requires a DPO4PWR application module.

Group Power

Syntax POWER:RIPPLE:RESULTS:MAX?

Examples POWER:RIPPLE:RESULTS:MAX? might return :POWER:RIPPLE:RESULTS:MAX
1.1 indicating that the maximum peak-to-peak amplitude is set to 1.1 V.

POWER:RIPPLE:RESULTS:MEAN? (Query Only)

Returns the mean of the peak-to-peak ripple measurements.

Conditions This command requires a DPO4PWR application module.

Group Power

Syntax POWER:RIPPLE:RESULTS:MEAN?

Examples `POWER:RIPPLE:RESULTS:MEAN?` might return
`:POWER:RIPPLE:RESULTS:MEAN 1.0` indicating that the mean peak-to-peak amplitude is set to 1.0 V.

POWER:RIPPLE:RESULTS:MIN? (Query Only)

Returns the minimum of the peak-to-peak ripple measurement.

Conditions This command requires a DPO4PWR application module.

Group Power

Syntax `POWER:RIPPLE:RESULTS:MIN?`

Examples `POWER:RIPPLE:RESULTS:MIN?` might return `:POWER:RIPPLE:RESULTS:MIN 0.9` indicating that the minimum peak-to-peak amplitude is set to 0.9 V.

POWER:RIPPLE:RESULTS:STDdev? (Query Only)

Returns the standard deviation of the peak-to-peak ripple measurements.

Conditions This command requires a DPO4PWR application module.

Group Power

Syntax `POWER:RIPPLE:RESULTS:STDdev?`

Examples `POWER:RIPPLE:RESULTS:STDDEV?` might return
`:POWER:RIPPLE:RESULTS:STDDEV 0.14` indicating that the standard deviation of the peak-to-peak amplitude is set to 0.14.

POWER:RIPPLE:SOURCE

This command specifies the source waveform for ripple tests. The voltage source waveform is specified using the [POWER:VOLTAGESOURCE](#) command and the current waveform is specified using the [POWER:CURRENTSOURCE](#) command.

Conditions This command requires a DPO4PWR application module.

Group	Power
Syntax	POWER:RIPPLE:SOURCE {VOLTage CURRENT}
Arguments	VOLTage specifies voltage source waveform for ripple tests. CURRENT specifies current source waveform for ripple tests.
Examples	POWER:RIPPLE:SOURCE CURRENT sets the ripple source to Current. POWER:RIPPLE:SOURCE? might return :POWER:RIPPLE:SOURCE VOLT indicating that the ripple source is set to Voltage.

POWER:SOA:LINEar:XMAX

This command specifies the user XMAX value for use in linear SOA calculations.

Conditions	This command requires a DPO4PWR application module.
Group	Power
Syntax	POWER:SOA:LINEar:XMAX <NR3> POWER:SOA:LINEar:XMAX?
Arguments	<NR3> is a floating point number that specifies the XMAX value used for linear SOA calculations.
Examples	POWER:SOA:LINEar:XMAX 700 sets the XMAX value to 700.0000. POWER:SOA:LINEar:XMAX ? might return :POWER:SOA:LINEar:XMAX 500.0000 indicating that the XMAX value for linear plot type is set to 500.0000.

POWER:SOA:LINEar:XMIN

This command specifies the user XMIN value for use in linear SOA calculations.

Conditions	This command requires a DPO4PWR application module.
Group	Power

Syntax	POWER:SOA:LINEar:XMIN <NR3> POWER:SOA:LINEar:XMIN?
Arguments	<NR3> is a floating point number that specifies the XMIN value used for linear SOA calculations.
Examples	POWER:SOA:LINEAR:XMIN 2 sets the XMIN value to 2.0000. POWER:SOA:LINEAR:XMIN ? might return :POWER:SOA:LINEar:XMIN 0.0E+0 indicating that the XMIN value for linear plot type is set to 0.0E+0.

POWER:SOA:LINEar:YMAX

This command specifies the user YMAX value for use in linear SOA calculations.

Conditions	This command requires a DPO4PWR application module.
Group	Power
Syntax	POWER:SOA:LINEar:YMAX <NR3> POWER:SOA:LINEar:YMAX?
Arguments	<NR3> is a floating point number that specifies the YMAX value used for linear SOA calculations.
Examples	POWER:SOA:LINEAR:YMAX 700 sets the YMAX value to 700.0000. POWER:SOA:LINEAR:YMAX ? might return :POWER:SOA:LINEar:YMAX 50.0000 indicating that the YMAX value for linear plot type is set to 50.0000.

POWER:SOA:LINEar:YMIN

This command specifies the user YMIN value for use in linear SOA calculations.

Conditions	This command requires a DPO4PWR application module.
Group	Power

Syntax `POWER:SOA:LINEar:YMIN <NR3>`
`POWER:SOA:LINEar:YMIN?`

Arguments `<NR3>` is a floating point number that specifies the YMIN value used for linear SOA calculations.

Examples `POWER:SOA:LINEAR:YMIN 2` sets the YMIN value to 2.0000.
`POWER:SOA:LINEAR:YMIN ?` might return `:POWER:SOA:LINEar:YMIN 0.0E+0` indicating that the YMIN value for linear plot type is set to 0.0E+0.

POWER:SOA:LOG:XMAX

This command specifies the user XMAX value for use in Log SOA calculations.

Conditions This command requires a DPO4PWR application module.

Group Power

Syntax `POWER:SOA:LOG:XMAX <NR3>`
`POWER:SOA:LOG:XMAX?`

Arguments `<NR3>` is a floating point number that specifies the XMAX value used for log SOA calculations.

Examples `POWER:SOA:LOG:XMAX 1` sets the XMAX value to 1.0000.
`POWER:SOA:LOG:XMAX ?` might return `:POWER:SOA:LOG:XMAX 1.0000E+3` indicating that the XMAX value for log plot type is set to 1.0000E+3.

POWER:SOA:LOG:XMIN

This command specifies the user XMIN value for use in Log SOA calculations.

Conditions This command requires a DPO4PWR application module.

Group Power

Syntax	POWER:SOA:LOG:XMIN <NR3> POWER:SOA:LOG:XMIN?
Arguments	<NR3> is a floating point number that specifies the XMIN value used for log SOA calculations.
Examples	POWER:SOA:LOG:XMIN 2 sets the XMIN value to 2.0000. POWER:SOA:LOG:XMIN ? might return :POWER:SOA:LOG:XMIN 100.0000E-3 indicating that the XMIN value for log plot type is set to 100.0000E-3.

POWER:SOA:LOG:YMAX

This command specifies the user YMAX value for use in Log SOA calculations.

Conditions	This command requires a DPO4PWR application module.
Group	Power
Syntax	POWER:SOA:LOG:YMAX <NR3> POWER:SOA:LOG:YMAX?
Arguments	<NR3> is a floating point number that specifies the YMAX value used for log SOA calculations.
Examples	POWER:SOA:LOG:YMAX 10 sets the YMAX value to 10.0000. POWER:SOA:LOG:YMAX ? might return :POWER:SOA:LOG:YMAX 100.0000 indicating that the YMAX value for log plot type is set to 100.0000.

POWER:SOA:LOG:YMIN

This command specifies the user YMIN value for use in Log SOA calculations.

Conditions	This command requires a DPO4PWR application module.
Group	Power

Syntax `POWER:SOA:LOG:YMIN <NR3>`
`POWER:SOA:LOG:YMIN?`

Arguments `<NR3>` is a floating point number that specifies the YMIN value used for log SOA calculations.

Examples `POWER:SOA:LOG:YMIN 1` sets the YMIN value to 1.0000.
`POWER:SOA:LOG:YMIN ?` might return `:POWER:SOA:LOG:YMIN 100.0000E-3` indicating that the YMIN value for log plot type is set to 100.0000E-3.

POWER:SOA:MASK:DEFine

This command specifies the X (volts) and Y (Amps) coordinates of the current SOA mask. You can specify the number of points from 2 to 10, minimum being 2. Successive X values must be \geq the preceding X values. The number of XY points sent determines the value of NR_PT.

Conditions This command requires a DPO4PWR application module.

Group Power

Syntax `POWER:SOA:MASK:DEFine <NR3>`
`POWER:SOA:MASK:DEFine?`

Arguments `<NR3>` is a floating point number that represents the SOA mask coordinates.

Examples `POWER:SOA:MASK:DEFINE 10` specifies the SOA mask coordinates as
`0.0E+0,0.0E+0,0.0E+0,0.0E+0,0.0E+0,30.0000,25.0000,30.0000,300.0000,2.5000,`
`300.0000,2.4000,300.0000,2.2000,300.0000,1.9000,300.0000,1.3000,`
`300.0000,0.0E+0.`
`POWER:SOA:MASK:DEFINE ?` might return `:POWER:SOA:MASK:DEFINE`
`0.0E+0,30.0000,25.0000,30.0000,300.0000,2.5000,300.0000,0.0E+0`
indicating that the SOA mask coordinates are set to
`0.0E+0,30.0000,25.0000,30.0000,300.0000,2.5000,300.0000,0.0E+0.`

POWER:SOA:MASK:MAXAmps

This command specifies the maximum current applied to SOA mask testing.

Conditions	This command requires a DPO4PWR application module.
Group	Power
Syntax	POWER:SOA:MASK:MAXAmps <NR3> POWER:SOA:MASK:MAXAmps?
Arguments	<NR3> is a floating point number that specifies the maximum current applied to SOA mask testing.
Examples	POWER:SOA:MASK:MAXAMPS 40 sets the SOA mask testing current to 40 A. POWER:SOA:MASK:MAXAMPS ? might return :POWER:SOA:MASK:MAXAMPS 30.0000 indicating that the SOA mask testing maximum current is set to 30 A.

POWER:SOA:MASK:MAXVolts

This command specifies the maximum voltage applied to SOA mask testing.

Conditions	This command requires a DPO4PWR application module.
Group	Power
Syntax	POWER:SOA:MASK:MAXVolts <NR3> POWER:SOA:MASK:MAXVolts?
Arguments	<NR3> is a floating point number that specifies the maximum voltage applied to SOA mask testing.
Examples	POWER:SOA:MASK:MAXVOLTS 200 sets the SOA mask testing voltage to 200 V. POWER:SOA:MASK:MAXVOLTS ? might return :POWER:SOA:MASK:MAXVOLTS 300.0000 indicating that the SOA mask testing maximum voltage is set to 300 V.

POWER:SOA:MASK:MAXWatts

This command specifies the maximum power applied to SOA mask testing.

Conditions	This command requires a DPO4PWR application module.
-------------------	---

Group	Power
Syntax	POWER:SOA:MASK:MAXwatts <NR3> POWER:SOA:MASK:MAXwatts?
Arguments	<NR3> is a floating point number that specifies the maximum power applied to SOA mask testing.
Examples	POWER:SOA:MASK:MAXWATTS 1000 sets the SOA mask testing power to 1.0000E+3 W. POWER:SOA:MASK:MAXWATTS ? might return :POWER:SOA:MASK:MAXWATTS 750.0000 indicating that the SOA mask testing maximum power is set to 750 W.

POWER:SOA:MASK:NR_Pt? (Query Only)

Returns the number of mask points defined.

Conditions	This command requires a DPO4PWR application module.
Group	Power
Syntax	POWER:SOA:MASK:NR_Pt?
Examples	POWER:SOA:MASK:NR_PT? might return :POWER:SOA:MASK:NR_PT 4 indicating that the number of mask points defined is 4.

POWER:SOA:MASK:STATE

This command specifies the state of the mask for SOA calculations.

Conditions	This command requires a DPO4PWR application module.
Group	Power
Syntax	POWER:SOA:MASK:STATE {OFF LIMITS POINTS} POWER:SOA:MASK:STATE?

Arguments	<p>OFF disables mask testing.</p> <p>LIMITS enables mask testing based on limits specified using POWER:SOA:MASK:MAXAmps, POWER:SOA:MASK:MAXVolts, and POWER:SOA:MASK:MAXWatts commands</p> <p>POINTS enables mask testing based on masks points defined.</p>
Examples	<p>POWER:SOA:MASK:STATEPOINTS enables mask testing power based on points defined.</p> <p>POWER:SOA:MASK:STATE? might return :POWER:SOA:MASK:STATE LIMITS indicating that the mask testing is enabled based on limits.</p>

POWER:SOA:MASK:STOPOnviol

This command specifies the enabled state of the mask stop on violation condition.

Conditions	This command requires a DPO4PWR application module.
Group	Power
Syntax	<pre>POWER:SOA:MASK:STOPOnviol {OFF ON 0 1} POWER:SOA:MASK:STOPOnviol?</pre>
Arguments	<p>OFF or 0 enables mask stop on violations.</p> <p>ON or 1 disables mask stop on violations.</p>
Examples	<p>POWER:SOA:MASK:STOPONVIOL 1 disables the state of the mask stop on violation condition.</p> <p>POWER:SOA:MASK:STOPONVIOL ? might return :POWER:SOA:MASK:STOPONVIOL 0 indicating that the mask stop is enabled.</p>

POWER:SOA:PLOTTYPE

This command specifies the Safe Operating Area (SOA) plot type.

Conditions	This command requires a DPO4PWR application module.
Group	Power

Syntax `POWER:SOA:PLOTTYPE {LOG|LINEar}`
`POWER:SOA:PLOTTYPE?`

Arguments `LOG` for logarithmic SOA plot type.
`LINEar` for linear SOA plot type.

Examples `POWER:SOA:PLOTTYPE LINEar` sets the SOA plot type to Linear.
`POWER:SOA:PLOTTYPE ?` might return `:POWER:SOA:PLOTTYPE LOG` indicating that the SOA plot type is set to Log.

POWER:SOA:RESult:FAILures:QTY? (Query Only)

Returns the number of failures in the test.

Conditions This command requires a DPO4PWR application module.

Group Power

Syntax `POWER:SOA:RESult:FAILures:QTY?`

Examples `POWER:SOA:RESULT:FAILURES:QTY?` might return
`:POWER:SOA:RESULT:FAILURES 0` indicating that the number of failures is 0.

POWER:SOA:RESult:NUMACq? (Query Only)

Returns the number of acquisitions in the test.

Conditions This command requires a DPO4PWR application module.

Group Power

Syntax `POWER:SOA:RESult:NUMACq?`

Examples `POWER:SOA:RESULT:NUMACQ?` might return `:POWER:SOA:RESULT:NUMACQ 10` indicating that the number of acquisitions is 10.

POWer:SOA:RESult:STATE? (Query Only)

Returns the pass/fail state of the SOA test.

Conditions This command requires a DPO4PWR application module.

Group Power

Syntax POWer:SOA:RESult:STATE?

Returns PASS or FAIL.

Examples POWer:SOA:RESult:STATE? might return :POWer:SOA:MASK:STATE PASS indicating that the SOA test state is PASS.

POWer:STATIstics (No Query Form)

Clears all the accumulated statistics of all measurements. Performs the same function as the [MEASUrement:STATIstics](#) command.

Conditions This command requires a DPO4PWR application module.

Group Power

Syntax POWer:STATIstics {RESET}

Arguments RESET clears the measurement statistics.

POWer:STATIstics:MODe

Enables or disables the display of the measurement statistics. Performs the same function as the [MEASUrement:STATIstics:MODe](#) command.

Conditions This command requires a DPO4PWR application module.

Group Power

Syntax `POWER:STATISTICS:MODE {OFF|ALL}`
`POWER:STATISTICS:MODE?`

Arguments ALL turns on measurement statistics display.
OFF turns all measurements statistics off.

Examples `POWER:STATISTICS:MODE OFF` turns measurements statistics display off.
`POWER:STATISTICS:MODE?` might return `:MEASUREMENT:STATISTICS:MODE ALL` indicating that measurement statistics are turned on and all statistics are being displayed for each measurement.

POWER:STATISTICS:WEIGHTING

Sets the number of samples which are included for the statistics computations for mean and the standard deviation. Performs the same function as the [MEASUREMENT:STATISTICS:WEIGHTING](#) command.

Conditions This command requires a DPO4PWR application module.

Group Power

Syntax `POWER:STATISTICS:WEIGHTING <NR1>;RANGES {L,2,1000}`
`POWER:STATISTICS:WEIGHTING?`

Arguments <NR1> is the number of samples used for the mean and standard deviation statistical accumulations

Examples `POWER:STATISTICS:WEIGHTING 4` sets statistical weighting to four samples.
`POWER:STATISTICS:WEIGHTING ?` might return
`:POWER:STATISTICS:WEIGHTING 4` indicating that statistics weighting is currently set to 4 samples.

POWER:SWLOSS:CONDCALCmethod

This command specifies the power application switching loss conduction calculation method.

Conditions This command requires a DPO4PWR application module.

Group	Power
Syntax	POWER:SWLoss:CONDCALCmethod {VOLTage RDSon VCEsat} POWER:SWLoss:CONDCALCmethod?
Arguments	VOLTage sets voltage as the conduction calculation method. RDSon sets RDSon as the conduction calculation method. VCEsat sets VCEsat as the conduction calculation method.
Examples	POWER:SWLOSS:CONDCALCMETHOD RDSon sets the conduction calculation method to RDSon. POWER:SWLOSS:CONDCALCMETHOD ? might return :POWER:SWLOSS:CONDCALCMETHOD VOLT indicating that the conduction calculation method is set to Voltage.

POWER:SWLoss:CONDUCTION:ENERGY:MAX? (Query Only)

Returns the maximum conduction energy for switching loss calculation.

Conditions	This command requires a DPO4PWR application module.
Group	Power
Syntax	POWER:SWLoss:CONDUCTION:ENERGY:MAX?
Examples	POWER:SWLOSS:CONDUCTION:ENERGY:MAX? might return :POWER:SWLOSS:CONDUCTION:ENERGY:MAX 1 indicating that the maximum conduction energy switching loss calculation is set to 1 J.

POWER:SWLoss:CONDUCTION:ENERGY:MEAN? (Query Only)

Returns the mean conduction energy in the conduction period for the switching loss calculation.

Conditions	This command requires a DPO4PWR application module.
Group	Power

Syntax `Power:SWLoss:CONDUCTION:ENERGY:MEAN?`

Examples `POWER:SWLOSS:CONDUCTION:ENERGY:MEAN?` might return
: `POWER:SWLOSS:CONDUCTION:ENERGY:MEAN 1` indicating that the mean
conduction energy switching loss calculation is set to 1 J.

POWER:SWLoss:CONDUCTION:ENERGY:MIN? (Query Only)

Returns the minimum conduction energy for the switching loss calculation.

Conditions This command requires a DPO4PWR application module.

Group Power

Syntax `Power:SWLoss:CONDUCTION:ENERGY:MIN?`

Examples `POWER:SWLOSS:CONDUCTION:ENERGY:MIN?` might return
: `POWER:SWLOSS:CONDUCTION:ENERGY:MIN 1` indicating that the
minimum conduction energy switching loss calculation is set to 1 J.

POWER:SWLoss:CONDUCTION:POWER:MAX? (Query Only)

Returns the maximum conduction power for the switching loss calculation.

Conditions This command requires a DPO4PWR application module.

Group Power

Syntax `Power:SWLoss:CONDUCTION:POWER:MAX?`

Examples `POWER:SWLOSS:CONDUCTION:POWER:MAX?` might return
: `POWER:SWLOSS:CONDUCTION:POWER:MAX 1` indicating that the
maximum conduction power switching loss calculation is set to 1 W.

POWER:SWLoss:CONDUCTION:POWER:MEAN? (Query Only)

Returns the mean conduction power for the switching loss calculation.

Conditions	This command requires a DPO4PWR application module.
Group	Power
Syntax	Power:SWLoss:CONduction:POwer:MEAN?
Examples	POWER:SWLOSS:CONDUCTION:POWER:MEAN? might return :POWER:SWLOSS:CONDUCTION:POWER:MEAN 1 indicating that the mean conduction power switching loss calculation is set to 1 W.

POwer:SWLoss:CONduction:POwer:MIN? (Query Only)

Returns the minimum conduction power for the switching loss calculation.

Conditions	This command requires a DPO4PWR application module.
Group	Power
Syntax	Power:SWLoss:CONduction:POwer:MIN?
Examples	POWER:SWLOSS:CONDUCTION:POWER:MIN? might return :POWER:SWLOSS:CONDUCTION:POWER:MIN 1 indicating that the minimum conduction power switching loss calculation is set to 1 W.

POwer:SWLoss:DISplay

This command specifies the display selection for switching loss results: All measurements, energy loss measurements or power loss measurements.

Conditions	This command requires a DPO4PWR application module.
Group	Power
Syntax	Power:SWLoss:DISplay {ALL ENERGYLoss POWERLoss} Power:SWLoss:DISplay?

- Arguments** ALL displays both energy and power loss measurements in the results.
ENERGYLOSS displays only energy loss measurements in the results.
POWERLOSS displays only power loss measurements in the results.
- Examples** POWER:SWLOSS:DISPLAY ENERGYLOSS displays only energy loss measurements in the results.
POWER:SWLOSS:DISPLAY ? might return :POWER:SWLOSS:DISPLAY ALL indicating that the results displays both energy and power loss measurements.

POWER:SWLoss:GATe:POLarity

This command specifies the switching loss gate polarity.

- Conditions** This command requires a DPO4PWR application module.

Group Power

Syntax POWER:SWLoss:GATe:POLarity {FALL|RISe}
POWER:SWLoss:GATe:POLarity?

- Arguments** FALL sets falling edge as the switching loss gate polarity.
RISe sets rising edge as the switching loss gate polarity.

Examples POWER:SWLOSS:GATE:POLARITY FALL sets the gate polarity to Fall.
POWER:SWLOSS:GATE:POLARITY ? might return
:POWER:SWLOSS:GATE:POLARITY RISe indicating that the gate polarity is set to Rise.

POWER:SWLoss:GATe:TURNON

This command specifies the gate turn on level for switching loss power measurements.

- Conditions** This command requires a DPO4PWR application module.

Group Power

Syntax `POWER:SWLOSS:GATE:TURNON <NR3>`
`POWER:SWLOSS:GATE:TURNON?`

Examples `POWER:SWLOSS:GATE:TURNON 3.5` sets the gate turn on level to 3.5000.
`POWER:SWLOSS:GATE:TURNON ?` might return `:POWER:SWLOSS:GATE:TURNON 1.5` indicating that the gating turn on level is set to 1.5.

POWER:SWLOSS:NUMCYCLES? (Query Only)

Returns the number of cycles counted for the switching loss calculation.

Conditions This command requires a DPO4PWR application module.

Group Power

Syntax `POWER:SWLOSS:NUMCYCLES? <NR3>`

Examples `POWER:SWLOSS:NUMCYCLES?` might return the number of cycles for switching loss calculation, if the **POWER:TYPE** is set to Switching Loss (`POWER:TYPE:SWITCHINGLOSS`). If the query times out with the Switching Loss power enabled, it indicates the possibility of incorrect settings and might return the following:

```
*ESR?
20
ALLEV?
2202,"Measurement error, No period found;
:power:swloss:numcycles?",410,"Query INTERRUPTED"
```

POWER:SWLOSS:RDSON

This command specifies the user RDSON value for use in switching loss calculations when the conduction calculation method is RDSON.

Conditions This command requires a DPO4PWR application module.

Group Power

Syntax `POWER:SWLoss:RDSON <NR3>`
`POWER:SWLoss:RDSON?`

Arguments <NR3> is a floating point number that specifies the RDSON switching loss calculation.

Examples `POWER:SWLOSS:RDSON 30` sets the RDSON value to 30.0000.
`POWER:SWLOSS:RDSON ?` might return `:POWER:SWLOSS:RDSON 20.0000E-3` indicating that the RDSON value is set to 20.0000E-3.

POWER:SWLoss:REFLevel:ABSolute:GATEMid

This command specifies the mid voltage reference level used in switching loss power measurements in volts.

Conditions This command requires a DPO4PWR application module.

Group Power

Syntax `POWER:SWLoss:REFLevel:ABSolute:GATEMid <NR3>`
`POWER:SWLoss:REFLevel:ABSolute:GATEMid?`

Arguments <NR3> is a floating point number that specifies the mid voltage reference level in volts.

Examples `POWER:SWLOSS:REFLEVEL:ABSOLUTE:GATEMID 100` sets the absolute gate mid reference voltage to 100.0000 V.
`POWER:SWLOSS:REFLEVEL:ABSOLUTE:GATEMID ?` might return `:POWER:SWLOSS:REFLEVEL:ABSOLUTE:GATEMID 50.0000` indicating that the gate mid reference voltage is set to 50.0000 V.

POWER:SWLoss:REFLevel:ABSolute:LOWCurrent

This command specifies the low current reference level used in switching loss power measurements in amperes.

Conditions This command requires a DPO4PWR application module.

Group	Power
Syntax	POWER:SWLoss:REFLevel:ABSolute:LOWCurrent <NR3> POWER:SWLoss:REFLevel:ABSolute:LOWCurrent?
Arguments	<NR3> is a floating point number that specifies the low voltage current level in amperes.
Examples	POWER:SWLOSS:REFLEVEL:ABSOLUTE:LOWCURRENT 2.8 sets the absolute reference low current to 2.8000 A. POWER:SWLOSS:REFLEVEL:ABSOLUTE:LOWCURRENT ? might return : POWER:SWLOSS:REFLEVEL:ABSOLUTE:LOWCURRENT 5.0000 indicating that the absolute reference low current is set to 5.0000 A.

POWER:SWLoss:REFLevel:ABSolute:LOWVoltage

This command specifies the low voltage reference level used in switching loss power measurements in volts.

Conditions	This command requires a DPO4PWR application module.
Group	Power
Syntax	POWER:SWLoss:REFLevel:ABSolute:LOWVoltage <NR3> POWER:SWLoss:REFLevel:ABSolute:LOWVoltage?
Arguments	<NR3> is a floating point number that specifies the low voltage reference level in volts.
Examples	POWER:SWLOSS:REFLEVEL:ABSOLUTE:LOWVOLTAGE 2.5 sets the absolute reference low voltage to 2.5000 V. POWER:SWLOSS:REFLEVEL:ABSOLUTE:LOWVOLTAGE ? might return : POWER:SWLOSS:REFLEVEL:ABSOLUTE:LOWVOLTAGE 5.0000 indicating that the absolute reference low voltage is set to 5.0000 V.

POWer:SWLoss:REFLevel:PERCent:GATEMid

This command specifies the mid voltage reference level used in switching loss power measurements in percent.

Conditions This command requires a DPO4PWR application module.

Group Power

Syntax `POWer:SWLoss:REFLevel:PERCent:GATEMid <NR3>`
`POWer:SWLoss:REFLevel:PERCent:GATEMid?`

Arguments <NR3> is a floating point number that specifies the mid voltage reference level in volts.

Examples `POWer:SWLOSS:REFLEVEL:PERCENT:GATEMID 30` sets the gate mid reference voltage to 30%.

`POWer:SWLOSS:REFLEVEL:PERCENT:GATEMID ?` might return
`:POWer:SWLOSS:REFLEVEL:PERCENT:GATEMID 50.0000` indicating that the gate mid reference voltage is set to 50%.

POWer:SWLoss:REFLevel:PERCent:LOWCurrent

This command specifies the low current reference level used in switching loss power measurements in percent.

Conditions This command requires a DPO4PWR application module.

Group Power

Syntax `POWer:SWLoss:REFLevel:PERCent:LOWCurrent <NR3>`
`POWer:SWLoss:REFLevel:PERCent:LOWCurrent?`

Arguments <NR3> is a floating point number that specifies the low voltage reference level percent.

Examples `POWer:SWLOSS:REFLEVEL:PERCENT:LOWCURRENT 15` sets the reference low current to 15%.

POWER:SWLOSS:REFLEVEL:PERCENT:LOWCURRENT ? might return
:POWER:SWLOSS:REFLEVEL:PERCENT:LOWCURRENT 5.0000 indicating that
the reference low current is set to 5%.

POWer:SWLoss:REFLevel:PERCent:LOWVoltage

This command specifies the low voltage reference level used in switching loss power measurements in percent.

Conditions	This command requires a DPO4PWR application module.
Group	Power
Syntax	POWER:SWLoss:REFLevel:PERCent:LOWVoltage <NR3> POWER:SWLoss:REFLevel:PERCent:LOWVoltage?
Arguments	<NR3> is a floating point number that specifies the low voltage reference level in percent.
Examples	POWER:SWLOSS:REFLEVEL:PERCENT:LOWVOLTAGE 10 sets the reference low voltage to 10%. POWER:SWLOSS:REFLEVEL:PERCENT:LOWVOLTAGE ? might return :POWER:SWLOSS:REFLEVEL:PERCENT:LOWVOLTAGE 5.0000 indicating that the reference low voltage is set to 5%.

POWer:SWLoss:TOFF:ENERGY:MAX? (Query Only)

Returns the maximum Toff energy for the switching loss calculation.

Conditions	This command requires a DPO4PWR application module.
Group	Power
Syntax	POWER:SWLoss:TOFF:ENERGY:MAX?
Examples	POWER:SWLOSS:TOFF:ENERGY:MAX? might return :POWER:SWLOSS:TON:ENERGY:MAX 1 indicating that the maximum Toff energy switching loss calculation is set to 1 J.

POWer:SWLoss:TOFF:ENERGY:MEAN? (Query Only)

Returns the mean Toff energy for the switching loss calculation.

Conditions This command requires a DPO4PWR application module.

Group Power

Syntax `POWer:SWLoss:TOFF:ENERGY:MEAN?`

Examples `POWer:SWLOSS:TOFF:ENERGY:MEAN?` might return
`:POWer:SWLOSS:TON:ENERGY:MEAN 1` indicating that the mean Toff energy
switching loss calculation is set to 1 J.

POWer:SWLoss:TOFF:ENERGY:MIN? (Query Only)

Returns the minimum Toff energy for the switching loss calculation.

Conditions This command requires a DPO4PWR application module.

Group Power

Syntax `POWer:SWLoss:TOFF:ENERGY:MIN?`

Examples `POWer:SWLOSS:TOFF:ENERGY:MIN?` might return
`:POWer:SWLOSS:TON:ENERGY:MIN 1` indicating that the minimum Toff energy
switching loss calculation is set to 1 J.

POWer:SWLoss:TOFF:POWer:MAX? (Query Only)

Returns the maximum Toff power for the switching loss calculation.

Conditions This command requires a DPO4PWR application module.

Group Power

Syntax `POWer:SWLoss:TOFF:POWer:MAX?`

Examples POWER:SWLOSS:TOFF:POWER:MAX? might return
:POWER:SWLOSS:TON:POWER:MAX 1 indicating that the maximum Toff power
switching loss calculation is set to 1 W.

POWer:SWLoss:TOFF:POWer:MEAN? (Query Only)

Returns the mean Toff power for the switching loss calculation.

Conditions This command requires a DPO4PWR application module.

Group Power

Syntax POWER:SWLoss:TOFF:POWer:MEAN?

Examples POWER:SWLOSS:TOFF:POWER:MEAN? might return
:POWER:SWLOSS:TON:POWER:MEAN 1 indicating that the mean Toff power
switching loss calculation is set to 1 W.

POWer:SWLoss:TOFF:POWer:MIN? (Query Only)

Returns the minimum Toff power for the switching loss calculation.

Conditions This command requires a DPO4PWR application module.

Group Power

Syntax POWER:SWLoss:TOFF:POWer:MIN?

Examples POWER:SWLOSS:TOFF:POWER:MIN? might return
:POWER:SWLOSS:TON:POWER:MIN 1 indicating that the minimum Toff power
switching loss calculation is set to 1 W.

POWer:SWLoss:TON:ENERGY:MAX? (Query Only)

Returns the maximum Ton energy for the switching loss calculation.

Conditions This command requires a DPO4PWR application module.

Group Power

Syntax POWER:SWLoss:TON:ENERGY:MAX?

Examples POWER:SWLOSS:TON:ENERGY:MAX? might return
:POWER:SWLOSS:TON:ENERGY:MAX 1 indicating that the maximum Ton energy
switching loss calculation is set to 1 J.

POWER:SWLoss:TON:ENERGY:MEAN? (Query Only)

Returns the mean Ton energy for the switching loss calculation.

Conditions This command requires a DPO4PWR application module.

Group Power

Syntax POWER:SWLoss:TON:ENERGY:MEAN?

Examples POWER:SWLOSS:TON:ENERGY:MEAN? might return
:POWER:SWLOSS:TON:ENERGY:MEAN 1 indicating that the mean Ton energy
switching loss calculation is set to 1 J.

POWER:SWLoss:TON:ENERGY:MIN? (Query Only)

Returns the minimum Ton energy for the switching loss calculation.

Conditions This command requires a DPO4PWR application module.

Group Power

Syntax POWER:SWLoss:TON:ENERGY:MIN?

Examples POWER:SWLOSS:TON:ENERGY:MIN? might return
:POWER:SWLOSS:TON:ENERGY:MIN 1 indicating that the minimum Ton energy
switching loss calculation is set to 1 J.

POWer:SWLoss:TON:POWer:MAX? (Query Only)

Returns the maximum Ton power for the switching loss calculation.

Conditions This command requires a DPO4PWR application module.

Group Power

Syntax POWer:SWLoss:TON:POWer:MAX?

Examples POWer:SWLoss:TON:POWer:MAX? might return
:POWer:SWLoss:TON:POWer:MAX 1 indicating that the maximum Ton power
switching loss calculation is set to 1 W.

POWer:SWLoss:TON:POWer:MEAN? (Query Only)

Returns the mean Ton power for the switching loss calculation.

Conditions This command requires a DPO4PWR application module.

Group Power

Syntax POWer:SWLoss:TON:POWer:MEAN?

Examples POWer:SWLoss:TON:POWer:MEAN? might return
:POWer:SWLoss:TON:POWer:MEAN 1 indicating that the mean Ton power
switching loss calculation is set to 1 W.

POWer:SWLoss:TON:POWer:MIN? (Query Only)

Returns the minimum Ton power for the switching loss calculation.

Conditions This command requires a DPO4PWR application module.

Group Power

Syntax POWer:SWLoss:TON:POWer:MIN?

Examples POWER:SWLOSS:TON:POWER:MIN? might return
:POWER:SWLOSS:TON:POWER:MIN 1 indicating that the minimum Ton power
switching loss calculation is set to 1 W.

POWER:SWLoss:TOTal:ENERGY:MAX? (Query Only)

Returns the maximum total energy for the switching loss calculation.

Conditions This command requires a DPO4PWR application module.

Group Power

Syntax POWER:SWLoss:TOTal:ENERGY:MAX?

Examples POWER:SWLOSS:TOTAL:ENERGY:MAX? might return
:POWER:SWLOSS:TOTAL:ENERGY:MAX 1 indicating that the maximum
conduction energy switching loss calculation is set to 1 J.

POWER:SWLoss:TOTal:ENERGY:MEAN? (Query Only)

Returns the mean total energy for the switching loss calculation.

Conditions This command requires a DPO4PWR application module.

Group Power

Syntax POWER:SWLoss:TOTal:ENERGY:MEAN?

Examples POWER:SWLOSS:TOTAL:ENERGY:MEAN? might return
:POWER:SWLOSS:TOTAL:ENERGY:MEAN 1 indicating that the mean conduction
energy switching loss calculation is set to 1 J.

POWER:SWLoss:TOTal:ENERGY:MIN? (Query Only)

Returns the minimum total energy for the switching loss calculation.

Conditions This command requires a DPO4PWR application module.

Group	Power
Syntax	POWER:SWLOSS:TOTAL:ENERGY:MIN?
Examples	POWER:SWLOSS:TOTAL:ENERGY:MIN? might return :POWER:SWLOSS:TOTAL:ENERGY:MIN 1 indicating that the minimum conduction energy switching loss calculation is set to 1 J.

POWER:SWLOSS:TOTAL:POWER:MAX? (Query Only)

Returns the maximum total power loss.

Conditions	This command requires a DPO4PWR application module.
Group	Power
Syntax	POWER:SWLOSS:TOTAL:POWER:MAX?
Examples	POWER:SWLOSS:TOTAL:POWER:MAX? might return :POWER:SWLOSS:TOTAL:POWER:MAX 1 indicating that the maximum total power switching loss calculation is set to 1 W.

POWER:SWLOSS:TOTAL:POWER:MEAN? (Query Only)

Returns the mean total power loss.

Conditions	This command requires a DPO4PWR application module.
Group	Power
Syntax	POWER:SWLOSS:TOTAL:POWER:MEAN?
Examples	POWER:SWLOSS:TOTAL:POWER:MEAN? might return :POWER:SWLOSS:TOTAL:POWER:MEAN 1 indicating that the mean total power switching loss calculation is set to 1 W.

POWer:SWLoss:TOTal:POWer:MIN? (Query Only)

Returns the minimum total power loss.

Conditions	This command requires a DPO4PWR application module.
Group	Power
Syntax	POWer:SWLoss:TOTal:POWer:MIN?
Examples	POWer:SWLOSS:TOTAL:POWer:MIN? might return :POWer:SWLOSS:TOTAL:POWer:MIN 1 indicating that the minimum total power switching loss calculation is set to 1 W.

POWer:SWLoss:VCEsat

This command specifies VCESAT value for use in switching loss calculations when the conduction calculation method is VCESAT.

Conditions	This command requires a DPO4PWR application module.
Group	Power
Syntax	POWer:SWLoss:VCEsat <NR3> POWer:SWLoss:VCEsat?
Arguments	<NR3> is a floating point number that specifies the VCEsat switching loss calculation.
Examples	POWer:SWLOSS:VCEsat 5 sets the VCEsat value to 5.0000. POWer:SWLOSS:VCEsat ? might return :POWer:SWLOSS:VCEsat 2.0000 indicating that the VCEsat value is set to 2.0000.

POWer:TYPE

This command specifies the power application measurement type.

Conditions	This command requires a DPO4PWR application module.
Group	Power
Syntax	<code>Power:TYPE {NONE QUALity SWITCHingloss SOA HARMonics RIPPlE MODULationanalysis DESKew}</code> <code>Power:TYPE?</code>
Arguments	<p>NONE Use to set the measurement type to None.</p> <p>QUALity Use the power quality functions to obtain measurements and statistics about the general power quality in your test circuit</p> <p>SWITCHingloss Use the switching loss functions to obtain the power loss and energy loss across the acquired waveform, including turn-on loss, turn-off loss, conduction loss, and total loss. Typically, use these functions to characterize losses in power supply switching devices, as they switch on and off.</p> <p>SOA Use the safe operating functions to obtain an X-Y display of the switching device-under-test's voltage and current. Also use them to perform a mask test of the X-Y signal relative to the graphical X-Y description of the device specification table. The safe operating area is typically the voltage and current values that a semiconductor can operate without damaging itself.</p> <p>HARMonics Use the harmonics functions to obtain the frequency spectrum of the source waveform and associated measurement values. Harmonic measurements can help one perform in-depth troubleshooting of power quality problems.</p> <p>RIPPlE Use the ripple functions to obtain measurements and statistics for the AC components of the acquired waveform. Ripples are often found on top of a large DC signal.</p> <p>MODULationanalysis Use the modulation functions to obtain a trend plot of a measurement value across the acquired waveform. This is useful for showing the variations in the modulated switching signal.</p> <p>DESKew Run the deskew procedure to match the delays through the probes. Different probes introduce different delays between the probe tip and the oscilloscope. Many oscilloscope users do not have to worry about this because they use the same type of probe on all channels. Power measurement users, however, frequently use both a voltage probe and a current probe. A current probe typically has a larger delay than a voltage probe, so setting deskew values becomes important.</p>

Examples `POWER:TYPE HARMONICS` sets the measurement type to Harmonics.
`POWER:TYPE?` might return `POWER:TYPE NON` indicating that no measurement type is set.

POWER:VOLTAGESOURCE

This command specifies the voltage source for the power application.

Conditions This command requires a DPO4PWR application module.

Group Power

Syntax `Power:VOLTAGESOURCE {CH1|CH2|CH3|CH4|REF1|REF2|REF3|REF4}`
`Power:VOLTAGESOURCE?`

Arguments `CH1-CH4` or `REF1-REF4` sets the analog channel 1-4 or reference waveform 1-4 as the voltage source.

Examples `POWER:VOLTAGESOURCE CH1` sets the voltage source as CH1.
`POWER:VOLTAGESOURCE?` might return `POWER:VOLTAGESOURCE CH1` indicating that the voltage source is set to CH1.

*PSC

This command specifies the power-on status flag that controls the automatic power-on handling of the DESER, SRER, and ESER registers. When *PSC is true, the DESER register is set to 255 and the SRER and ESER registers are set to 0 at power-on. When *PSC is false, the current values in the DESER, SRER, and ESER registers are preserved in nonvolatile memory when power is shut off and are restored at power-on.

Group Status and Error

Syntax `*PSC {OFF|ON|NR1>}`
`*PSC?`

Related Commands [DESE](#), [*ESE](#), [FACTory](#), [*RST](#), [*SRE](#)

Arguments OFF sets the power-on status clear flag to false.
 ON sets the power-on status clear flag to true.
 <NR1> = 0 sets the power-on status clear flag to false. This disables the power-on clear allowing the oscilloscope to possibly assert SRQ after power-on; any other value sets the power-on status clear flag to true, enabling the power-on status clear preventing any SRQ assertion after power on.

Examples *PSC 0 sets the power-on status clear flag to false.
 *PSC? might return 1 to indicate that the power-on status clear flag is set to true.

*PUD

This command specifies a string of Protected User Data. This data is protected by the PASSWord command. You can modify it only by first entering the correct password. This password is not necessary to query the data.

Group Status and Error

Syntax *PUD {<Block>|<QString>}
 *PUD?

Related Commands [PASSWord](#)

Arguments <Block> is a block containing up to 300 ASCII characters.
 <QString> is a string containing up to 300 ASCII characters.

Examples *PUD #229This oscilloscope belongs to me stores the string "This oscilloscope belongs to me" in the user protected data area.
 *PUD? might return #221PROPERTY OF COMPANY X

*RCL (No Query Form)

This command restores the state of the oscilloscope from a copy of the settings stored in memory (The settings are stored using the *SAV command).

Group Save and Recall

Syntax	*RCL <NR1>
Related Commands	FACTory, *LRN?, RECALL:SETUp, *RST, *SAV, SAVe:SETUp
Arguments	<NR1> is a value in the range from 1 to 10, which specifies a saved setup storage location.
Examples	*RCL 3 restores the oscilloscope from a copy of the settings stored in memory location 3.

RECALL:MASK (No Query Form)

This command recalls the mask from a specified file that was saved to the current working directory using the [SAVe:MASK](#) command.

A series of examples showing how to use mask commands for typical tasks is included in an appendix. (See page E-1, *Mask/Limit Command Sequence Examples*.)

Conditions	This command requires a DPO4LMT application module.
Group	Mask
Syntax	RECALL:MASK <QString>
Related Commands	SAVe:MASK
Arguments	QString is a quoted string that is the name of the mask definition being recalled from the current working directory.
Examples	:RECALL:MASK "FOO.MSK" will recall a copy of the mask "FOO" from the current working directory.

RECALL:SETUp (No Query Form)

Restores the state of the oscilloscope from a copy of the settings stored in memory. The settings are stored using the *SAV command.

Group	Save and Recall
Syntax	RECALL:SETUP {FACTORY <NR1> <file path>}
Related Commands	FACTORY , *RCL , *RST , *SAV , SAVE:SETUP , FILESystem:CWD
Arguments	<p>FACTORY restores the factory setup.</p> <p><NR1> is a value in the range from 1 to 10, which specifies a saved setup storage location.</p> <p><file path> specifies a location for an oscilloscope setup file. <file path> is a quoted string that defines the file name and path. Input the file path using the form <drive>:/<dir>/<filename>.<extension> and one or <dir>s are optional. If you do not specify them, the oscilloscope will read the file from the default directory (see FILESystem:CWD). <filename> stands for a filename; the use of wildcard characters in filenames is not supported. Filename extensions are not required, but highly recommended.</p>
Examples	<p>RECALL:SETUP FACTORY recalls (and makes current) the oscilloscope setup to its factory defaults.</p> <p>RECALL:SETUP 2 recalls the oscilloscope setup from setup storage location 2.</p> <p>RECALL:SETUP "TEK00000.SET" recalls the setup from the file TEK00000.SET in the current working directory.</p>

RECALL:SETUP:DEMO<x> (No Query Form)

This command recalls one of the 6 built-in demonstration setups of RF functionality. <x> can be 1 through 6. The demonstrations include 1. Multiple Peaks, 2. Spectrogram, 3. VCO/PLL Turn On, 4. ASK Modulation, 5. Frequency Hop and 6. Capture BW.

Conditions	MDO only.
Group	Save and Recall
Syntax	RECALL:SETUP:DEMO<x>
Examples	RECALL:SETUP:DEMO4 recalls the ASK Modulation demonstration setup.

RECALL:WAVEform (No Query Form)

This command (no query form) recalls a stored waveform to a reference memory location. Only the first waveform in a .CSV file is recalled for multiple waveform .CSV files. Recall of digital waveforms (D0 through D15) is not supported.

Group Save and Recall

Syntax RECALL:WAVEform <QString>,REF<x>

Related Commands [SAVE:WAVEform](#), [FILESystem:CWD](#), [FILESystem?](#)

Arguments <QString> is a quoted string that specifies a location for an oscilloscope file. The file name and path should be input using the form <drive>:/<dir>/<filename>.<extension>.

NOTE. *The use of <drive>: and <dir>/ are optional; if you do not specify the drive and directory, then the instrument will write them to the current working directory as specified by [FILESystem:CWD](#).*

REF<x> specifies a location in internal reference memory. Reference memory location values range from 1 through 4.

Examples RECALL:WAVEFORM "TEK00000.ISF",REF1 recalls the waveform stored in the file named TEK00000.ISF from the current directory to the reference location 1.

REF<x>? (Query Only)

This query returns data for the reference waveform specified by <x>, where x is the reference waveform number 1–4.

Group Vertical

Syntax REF<x>?

REF<x>:DATE? (Query Only)

Returns the date that reference waveform data for reference waveform <x> was copied into the internal reference memory, where x is the reference channel number 1–4.

Group Vertical

Syntax REF<x>:DATE?

REF<x>:HORizontal:DELay:TIME

This command specifies the horizontal delay time for reference waveform <x>, where x is the reference waveform number 1–4. The delay time is expressed in seconds and is limited to ± 5 times the reference horizontal scale.

Group Vertical

Syntax REF<x>:HORizontal:DELay:TIME <NR3>
REF<x>:HORizontal:DELay:TIME?

Arguments <NR3> is a floating point number that specifies the delay time, in seconds.

Examples REF2:HORIZONTAL:DELAY:TIME 4.0E-6 sets the horizontal delay time for the REF2 waveform to 4 μ s.

REF<x>:HORizontal:SCALE

This command specifies the horizontal scale for the reference waveform specified by <x>, where x is the reference waveform number 1–4.

Group Vertical

Syntax REF<x>:HORizontal:SCALE <NR3>
REF<x>:HORizontal:SCALE?

Arguments <NR3> is a floating point number that specifies the horizontal scale in seconds.

Examples REF1:HORIZONTAL:SCALE? might return REF1:HORIZONTAL:SCALE 4.0E-4.

REF<x>:LABel

This command specifies the label for the reference waveform specified by <x>, where x is the reference waveform number 1–4.

Group Vertical

Syntax REF<x>:LABel <Qstring>
REF<x>:LABel?

Arguments <Qstring> is an alphanumeric string of text, enclosed in quotes, that contains the label text for the reference channel <x> waveform. The text string is limited to 30 characters.

Examples REF4:LABEL? might return :REF4:LABEL "Clk wfm 2".

REF<x>:TIME? (Query Only)

Returns the time that reference waveform data was copied into the internal reference memory for reference waveform <x>, where x is the reference waveform number 1–4.

Group Vertical

Syntax REF<x>:TIME?

Examples REF4:TIME? might return "16:54:05".

REF<x>:VERTical:POSition

This command specifies the vertical position of the reference waveform specified by <x>, where x is the reference waveform number 1–4.

Increasing the position value of a waveform causes the waveform to move up, and decreasing the position value causes the waveform to move down. Position adjusts only the display position of a waveform. The position value determines the vertical graticule coordinate at which signal values are displayed. For example, if

the position for Reference 3 is set to 2.0, the signal represented by that reference will be displayed at 2.0 divisions above the center of the screen.

Group	Vertical
Syntax	REF<x>:VERTical:POSition <NR3> REF<x>:VERTical:POSition?
Related Commands	CH<x>:POSition , MATH[1]:VERTical:POSition
Arguments	<NR3> is a floating point number that specifies the desired position, in divisions from the center horizontal graticule. The range is from -5.0 to 5.0 divisions.
Examples	REF2:VERTICAL:POSITION 1.3E+00 positions the Reference 2 input signal 1.3 divisions above the center horizontal graticule. REF1:VERTICAL:POSITION? might return :REF1:VERTICAL:POSITION -1.3000E+00 indicating that the current position of Reference 1 is 1.3 divisions below the center horizontal graticule.

REF<x>:VERTical:SCALE

This command specifies the vertical scale for the reference waveform specified by <x>, where x is the reference waveform number 1–4. This setting controls the display only. For a signal with constant amplitude, increasing the scale causes the waveform to be displayed smaller. Decreasing the scale causes the waveform to be displayed larger.

Group	Vertical
Syntax	REF<x>:VERTical:SCALE <NR3> REF<x>:VERTical:SCALE?
Related Commands	CH<x>:SCALE , MATH[1]:VERTical:SCALE
Arguments	<NR3> is a floating point number that specifies the gain in user units-per-division.

Examples REF4:VERTICAL:SCALE 100E-03 sets the Reference 4 scale to 100 mV per division.

REF4:VERTICAL:SCALE? might return :REF2:VERTICAL:SCALE 1.0000e+00 indicating that the current vertical scale setting for Reference 2 is 1 V per division.

REM (No Query Form)

Embeds a comment within programs as a means of internally documenting the programs. The oscilloscope ignores these embedded comment lines.

Group Miscellaneous

Syntax REM <QString>

Arguments <QString> is a string that can contain a maximum of 80 characters.

Examples REM "This is a comment" is a comment string that the oscilloscope will ignore.

RF:DETECTionmethod:MODE

This command specifies whether the RF detection within the oscilloscope occurs automatically or manually. If you set the detection method mode to MANual, you are able to use the related RF:DETECTionmethod commands to specify detection method options for the frequency domain traces (the options are MINUSpeak, SAMple, PLUSpeak and AVErage).

The detection method is the internal calculation that decimates (reduces) a long frequency domain waveform down to display resolution, by dividing the waveform into intervals and choosing a single value to represent each interval on screen.

Conditions MDO models only.

Group RF

Syntax RF:DETECTionmethod:MODE {AUTO|MANua|}
RF:DETECTionmethod:MODE?

Related Commands [RF:DETECTionmethod:RF_AVErage](#), [RF:DETECTionmethod:RF_MAXHold](#), [RF:DETECTionmethod:RF_MINHold](#), [RF:DETECTionmethod:RF_NORMal](#)

Examples `RF:DETECTionmethod:MODE MANua1` sets the detection mode to manual.
`RF:DETECTionmethod:MODE?` might return `AUTO`, indicating that the RF detection mode has been set to automatic.

RF:DETECTionmethod:RF_AVErage

This command specifies the detection method the oscilloscope should use when acquiring an RF Average frequency domain trace.

In order to change the detection method, you must first change the detection method mode to `MANUAL` using the command [RF:DETECTionmethod:MODE](#).

The detection method is the internal calculation that decimates (reduces) a long frequency domain waveform down to display resolution, by dividing the waveform into intervals and choosing a single value to represent each interval on screen.

Conditions MDO models only.

Group RF

Syntax `RF:DETECTionmethod:RF_AVErage`
`{PLUSpeak|MINUSpeak|SAMPle|AVErage}`
`RF:DETECTionmethod:RF_AVErage?`

Related Commands [RF:DETECTionmethod:MODE](#),
[RF:DETECTionmethod:RF_MAXHold](#),
[RF:DETECTionmethod:RF_MINHold](#),
[RF:DETECTionmethod:RF_NORMal](#)

Arguments `PLUSpeak` — Detection method that selects the largest value in each interval.
`MINUSpeak` — Detection method that selects the smallest value in each interval.
`SAMPle` — Detection method that selects the first point in each interval.
`AVErage` — Detection method that selects the mean value within an interval.

Examples `RF:DETECTionmethod:RF_AVErage` SAM sets the detection method to sample.
`RF:DETECTionmethod:RF_AVE?` might return `MINUSPEAK`, indicating the detection method has been set to select the smallest value in each waveform interval.

RF:DETECTionmethod:RF_MAXHold

This command specifies the detection method the oscilloscope should use when acquiring an RF Max Hold frequency domain trace. The Max Hold trace displays the largest value in all acquisition history at each trace point.

In order to change the detection method, you must first change the detection method mode to `MANUAL` using the command [RF:DETECTionmethod:MODE](#).

The detection method is the internal calculation that decimates (reduces) a long frequency domain waveform down to display resolution, by dividing the waveform into intervals and choosing a single value to represent each interval on screen.

Conditions MDO models only.

Group RF

Syntax `RF:DETECTionmethod:RF_MAXHold`
`{PLUSpeak|MINUSpeak|SAMPle|AVErage}`
`RF:DETECTionmethod:RF_MAXHold?`

Related Commands [RF:DETECTionmethod:MODE](#), [RF:DETECTionmethod:RF_AVErage](#),
[RF:DETECTionmethod:RF_MINHold](#), [RF:DETECTionmethod:RF_NORMal](#)

Arguments `PLUSpeak` — Detection method that selects the largest value in each interval.
`MINUSpeak` — Detection method that selects the smallest value in each interval.
`SAMPle` — Detection method that selects the first point in each interval.
`AVErage` — Detection method that selects the mean value within an interval.

Examples `RF:DETECTionmethod:RF_MAXHold` SAM sets the detection method to sample.
`RF:DETECTionmethod:RF_MAXHold?` might return `AVERAGE`, indicating the detection method has been set to select the mean value within a waveform interval.

RF:DETECTionmethod:RF_MINHold

This command specifies the detection method the oscilloscope should use when acquiring an RF Min Hold frequency domain trace. The Min Hold trace displays the smallest value throughout the acquisition history at each trace point.

In order to change the detection method, you must first change the detection method mode to **MANUAL** using the command [RF:DETECTionmethod:MODE](#).

The detection method is the internal calculation that decimates (reduces) a long frequency domain waveform down to display resolution, by dividing the waveform into intervals and choosing a single value to represent each interval on screen.

Conditions MDO models only.

Group RF

Syntax RF:DETECTionmethod:RF_MINHOld
{PLUSpeak|MINUSpeak|SAMPle|AVERage}
RF:DETECTionmethod:RF_MINHOld?

Related Commands [RF:DETECTionmethod:MODE](#), [RF:DETECTionmethod:RF_AVERage](#),
[RF:DETECTionmethod:RF_MAXHold](#), [RF:DETECTionmethod:RF_NORMal](#)

Arguments PLUSpeak — Detection method that selects the largest value in each interval.
MINUSpeak — Detection method that selects the smallest value in each interval.
SAMPle — Detection method that selects the first point in each interval.
AVERage — Detection method that selects the mean value within an interval.

Examples RF:DETECTionmethod:RF_MINHOld SAM changes the detection method to sample.

RF:DETECTionmethod:RF_MINHOld? might return AVERAGE, indicating the detection method has been set to select the mean value within a waveform interval.

RF:DETECTionmethod:RF_NORMal

This command specifies the detection method the oscilloscope should use when acquiring an RF Normal frequency domain trace. The Normal trace displays the most recently acquired sample at each trace point. .

In order to change the detection method, you must first change the detection method mode to **MANUAL** using the command [RF:DETECTionmethod:MODE](#).

The detection method is the internal calculation that decimates (reduces) a long frequency domain waveform down to display resolution, by dividing the waveform into intervals and choosing a single value to represent each interval on screen.

Conditions	MDO models only.
Group	RF
Syntax	RF:DETECTionmethod:RF_NORMa1 {PLUSpeak MINUSpeak SAMPle AVERage} RF:DETECTionmethod:RF_NORMa1?
Related Commands	RF:DETECTionmethod:MODE , RF:DETECTionmethod:RF_AVERage , RF:DETECTionmethod:RF_MAXHold , RF:DETECTionmethod:RF_MINHold
Arguments	<p>PLUSpeak — Detection method that selects the largest value in each interval.</p> <p>MINUSpeak — Detection method that selects the smallest value in each interval.</p> <p>SAMPle — Detection method that selects the first point in each interval.</p> <p>AVERage — Detection method that selects the mean value within an interval.</p>
Examples	<p>RF:DETECTionmethod:RF_NORMa1 SAM sets the detection method to sample.</p> <p>RF:DETECTionmethod:RF_NORMa1? might return AVERAGE, indicating the detection method has been set to select the mean value within a waveform interval.</p>

RF:FREQuency

This command specifies the center frequency of the RF acquisition system.

NOTE. For the parameters *RF:START*, *RF:STOP*, *RF:FREQuency* and *RF:SPAN*, when any one of the parameters is changed, the following relationship is enforced:

$$START = FREQ - SPAN/2$$

$$STOP = FREQ + SPAN/2$$

$$FREQ = (START + STOP)/2$$

$$SPAN = STOP - START$$

Conditions	MDO models only.
Group	RF
Syntax	RF:FREQuency <NR3> RF:FREQuency?
Related Commands	RF:POSition , RF:REFLevel
Arguments	<NR3> is a floating point value.
Examples	RF:FREQuency 3.0E+06 sets the center frequency to 3 MHz. RF:FREQuency? might return 3.0E+06, indicating that the center frequency has been set to 3 MHz.

RF:LABel

This command specifies a label for the RF frequency domain waveform.

Conditions	MDO models only.
Group	RF
Syntax	RF:LABel <QString> RF:LABel?
Related Commands	RF:RF_AMPlitude:LABel , RF:RF_FREQuency:LABel , RF:RF_PHASe:LABel
Arguments	<QString> is a quoted string of up to 32 characters.

RF:MEASUre:ACPR:ADJACENTPAIRs

When the RF measurement type has been set to ACPR, the frequency domain displays a Main channel in the center (Ch:Main), and a side channel group on either side of the Main Channel. There can be either 1, 2 or 3 channels within each side group; this command specifies that number. (Lower Area 1, 2 and 3 would be on the left side of the Main channel; Upper Area 1, 2 and 3 would be on the right side).

To set the measurement type to ACPR, use the command `RFMEASURE:TYPE ACPR`.

The Adjacent Channel Power Ratio (ACPR) is the ratio of channel power between two user-selected channels (a side channel and a main channel).

NOTE. *The oscilloscope will maintain the span to fit all the channels on-screen, plus a margin of 10% (5% on either side.)*

Conditions	MDO models only.
Group	RF
Syntax	<code>RF:MEASURE:ACPR:ADJACENTPAIRS [1 2 3]</code> <code>RF:MEASURE:ACPR:ADJACENTPAIRS?</code>
Related Commands	RF:MEASURE:TYPE , RF:MEASURE:ACPR:CHANBW , RF:MEASURE:ACPR:CHANSPACING , RF:MEASURE:ACPR:POWER? , RF:MEASURE:ACPR:LA1DB? , RF:MEASURE:ACPR:LA2DB? , RF:MEASURE:ACPR:LA3DB? , RF:MEASURE:ACPR:UA1DB? , RF:MEASURE:ACPR:UA2DB? , RF:MEASURE:ACPR:UA3DB?
Examples	<code>RF:MEASURE:ACPR:ADJACENTPAIRS 2</code> sets the number of adjacent pairs to use to 2. <code>RF:MEASURE:ACPR:ADJACENTPAIRS?</code> might return 3, indicating the number of adjacent pairs has been set to 3.

RF:MEASURE:ACPR:CHANBW

This command configures the measurement bandwidth to use for the Main channel, as well as the adjacent side channels, when performing ACPR measurements using a frequency domain trace. The RF measurement type must first be set to ACPR using the command `RFMEASURE:TYPE ACPR`.

Note that adjusting the channel bandwidth automatically adjusts the channel spacing. If the bandwidth is adjusted to be wider than the channel spacing, the oscilloscope will automatically increase the channel spacing and the span.

NOTE. *The oscilloscope will maintain the span to fit all the channels on-screen, plus a margin of 10% (5% on either side.)*

Conditions	MDO models only.
Group	RF
Syntax	RF:MEASUre:ACPR:CHANBW <NR3> RF:MEASUre:ACPR:CHANBW?
Related Commands	RF:MEASUre:TYPe , RF:MEASUre:ACPR:ADJACENTPAIRs , RF:MEASUre:ACPR:CHANSPACing , RF:MEASUre:ACPR:POWer? , RF:MEASUre:ACPR:LA1DB? , RF:MEASUre:ACPR:LA2DB? , RF:MEASUre:ACPR:LA3DB? , RF:MEASUre:ACPR:UA1DB? , RF:MEASUre:ACPR:UA2DB? , RF:MEASUre:ACPR:UA3DB?
Arguments	<NR3> is a floating point number.
Examples	RF:MEASUre:ACPR:CHANBW 1.5E+6 sets the width to use for Main and side channels to 1.5 MHz. RF:MEASUre:ACPR:CHANBW? might return 4.0000E+6, indicating the ACPR Main and side channel width is set to 4 MHz.

RF:MEASUre:ACPR:CHANSPACing

This command specifies the center-to-center spacing between the Main channel and adjacent channels when performing ACPR measurements using a frequency domain trace. (The RF measurement type must be set to ACPR using the command [RF:MEASUre:TYPe](#).) Note that if the channel spacing is adjusted to be more narrow than the channel bandwidth, then the oscilloscope will automatically decrease the channel bandwidth.

NOTE. *The oscilloscope will maintain the span to fit all the channels on-screen, plus a margin of 10% (5% on either side.)*

Conditions	MDO models only.
Group	RF
Syntax	RF:MEASUre:ACPR:CHANSPACing <NR3> RF:MEASUre:ACPR:CHANSPACing?

Related Commands [RF:MEASUre:ACPR:ADJACENTPAIRs](#), [RF:MEASUre:ACPR:CHANBW](#), [RF:MEASUre:ACPR:POWer?](#), [RF:MEASUre:ACPR:LA1DB?](#), [RF:MEASUre:ACPR:LA2DB?](#), [RF:MEASUre:ACPR:LA3DB?](#), [RF:MEASUre:ACPR:UA1DB?](#), [RF:MEASUre:ACPR:UA2DB?](#), [RF:MEASUre:ACPR:UA3DB?](#)

Arguments <NR3> is a floating point number.

Examples `RF:MEASUre:ACPR:CHANSPACing 5.0000E+6` sets the ACPR channel center-to-center spacing between the Main channel and the side channels to 5.0000E+6 MHz.

`RF:MEASUre:ACPR:CHANSPACing?` might return 5.0000E+6, indicating the ACPR channel spacing has been set to 5 MHz.

RF:MEASUre:ACPR:LA1DB? (Query Only)

This query measures a ratio between the first lower adjacent side channel and the Main channel when performing ACPR measurements. The power in the adjacent channel is equivalent to the power in the main channel (dBm) added to the power ratio (dB) of the adjacent channel. (The RF measurement type must be set to ACPR using the command [RF:MEASUre:TYPE](#).)

Conditions MDO models only.

Group RF

Syntax `RF:MEASUre:ACPR:LA1DB?`

Related Commands [RF:MEASUre:ACPR:ADJACENTPAIRs](#), [RF:MEASUre:ACPR:CHANBW](#), [RF:MEASUre:ACPR:CHANSPACing](#), [RF:MEASUre:ACPR:POWer?](#), [RF:MEASUre:ACPR:LA2DB?](#), [RF:MEASUre:ACPR:LA3DB?](#), [RF:MEASUre:ACPR:UA1DB?](#), [RF:MEASUre:ACPR:UA2DB?](#), [RF:MEASUre:ACPR:UA3DB?](#)

Examples `RF:MEASUre:ACPR:LA1DB` might return `-30.000`, indicating that the Lower Area 1 side channel (left side of Main channel) has 1/1000 the power of the Main channel.

If the main channel power is `-41.0dBm` and `:RF:MEASUre:ACPR:LA1DB` returns `-12.0 dB`, then the actual power in the adjacent channel is `-41.0dBm + -12.0 dB` or `-53.0dBm`.

RF:MEASUre:ACPR:LA2DB? (Query Only)

This query measures a ratio between the second lower side channel and the Main channel when performing ACPR measurements using a frequency domain trace. The power in the adjacent channel is equivalent to the power in the main channel (dBm) added to the power ratio (dB) of the adjacent channel. (The RF measurement type must be set to ACPR using the command [RF:MEASUre:TYPe](#).)

Conditions MDO models only.

Group RF

Syntax RF:MEASUre:ACPR:LA2DB?

Related Commands [RF:MEASUre:ACPR:ADJACENTPAIRs](#), [RF:MEASUre:ACPR:CHANBW](#), [RF:MEASUre:ACPR:CHANSPACing](#), [RF:MEASUre:ACPR:POWer?](#), [RF:MEASUre:ACPR:LA1DB?](#), [RF:MEASUre:ACPR:UA1DB?](#), [RF:MEASUre:ACPR:UA2DB?](#), [RF:MEASUre:ACPR:UA3DB?](#)

Examples RF:MEASUre:ACPR:LA2DB might return -30.000, indicating that the Lower Area 2 side channel (left side of Main channel) has 1/1000 the power of the Main channel.

If the main channel power is -41.0dBm and RF:MEASUre:ACPR:LA2DB returns -12.0 dB, then the actual power in the adjacent channel is -41.0dBm + -12.0 dB or -53.0dBm.

RF:MEASUre:ACPR:LA3DB? (Query Only)

This query measures a ratio between the third lower side channel and the Main channel when performing ACPR measurements using a frequency domain trace. The power in the adjacent channel is equivalent to the power in the main channel (dBm) added to the power ratio (dB) of the adjacent channel. (The RF measurement type must be set to ACPR using the command [RF:MEASUre:TYPe](#).)

Conditions MDO models only.

Group RF

Syntax RF:MEASUre:ACPR:LA3DB?

Related Commands [RF:MEASUre:ACPR:ADJACENTPAIRs](#), [RF:MEASUre:ACPR:CHANBW](#), [RF:MEASUre:ACPR:CHANS PACing](#), [RF:MEASUre:ACPR:POWer?](#), [RF:MEASUre:ACPR:LA1DB?](#), [RF:MEASUre:ACPR:LA2DB?](#), [RF:MEASUre:ACPR:UA1DB?](#), [RF:MEASUre:ACPR:UA2DB?](#), [RF:MEASUre:ACPR:UA3DB?](#)

Examples `RF:MEASUre:ACPR:LA3DB` might return `-30.000`, indicating that the Lower Area 3 side channel (left side of Main channel) has 1/1000 the power of the Main channel.

If the main channel power is `-41.0dBm` and `RF:MEASUre:ACPR:LA3DB` returns `-12.0 dB`, then the actual power in the adjacent channel is `-41.0dBm + -12.0 dB` or `-53.0dBm`.

RF:MEASUre:ACPR:POWer? (Query Only)

This query returns the measure of the total RF power in the Main channel within the channel bandwidth when performing ACPR measurements using a frequency domain trace. It uses the units that have been selected with the command [RF:UNIts](#). The RF measurement type must be set to ACPR using the command [RF:MEASUre:TYPE](#).

Conditions MDO models only.

Group RF

Syntax `RF:MEASUre:ACPR:POWer?`

Related Commands [RF:MEASUre:ACPR:ADJACENTPAIRs](#), [RF:MEASUre:ACPR:CHANBW](#), [RF:MEASUre:ACPR:CHANS PACing](#), [RF:MEASUre:ACPR:LA1DB?](#), [RF:MEASUre:ACPR:LA2DB?](#), [RF:MEASUre:ACPR:LA3DB?](#), [RF:MEASUre:ACPR:UA1DB?](#), [RF:MEASUre:ACPR:UA2DB?](#), [RF:MEASUre:ACPR:UA3DB?](#)

Examples `RF:MEASUre:ACPR:POWer?` might return `-20.0000`, in whatever units have been selected using [RF:UNIts](#).

RF:MEASUre:ACPR:UA1DB? (Query Only)

This query measures a ratio between the first upper side channel and the Main channel when performing ACPR measurements using a frequency domain

trace. The power in the adjacent channel is equivalent to the power in the main channel (dBm) added to the power ratio (dB) of the adjacent channel. (The RF measurement type must be set to ACPR using the command [RF:MEASUre:TYPe](#).)

Conditions MDO models only.

Group RF

Syntax RF:MEASUre:ACPR:UA1DB?

Related Commands [RF:MEASUre:ACPR:ADJACENTPAIRs](#), [RF:MEASUre:ACPR:CHANBW](#), [RF:MEASUre:ACPR:CHANSPACing](#), [RF:MEASUre:ACPR:POWer?](#), [RF:MEASUre:ACPR:LA1DB?](#), [RF:MEASUre:ACPR:LA2DB?](#), [RF:MEASUre:ACPR:LA3DB?](#), [RF:MEASUre:ACPR:UA2DB?](#), [RF:MEASUre:ACPR:UA3DB?](#)

Examples RF:MEASUre:ACPR:UA1DB might return -30.000, indicating that the Upper Area 1 side channel (right side of Main channel) has 1/1000 the power of the Main channel.

RF:MEASUre:ACPR:UA2DB? (Query Only)

This query measures a ratio between the second upper side channel and the Main channel when performing ACPR measurements using a frequency domain trace. The power in the adjacent channel is equivalent to the power in the main channel (dBm) added to the power ratio (dB) of the adjacent channel. (The RF measurement type must be set to ACPR using the command [RF:MEASUre:TYPe](#).)

Conditions MDO models only.

Group RF

Syntax RF:MEASUre:ACPR:UA2DB?

Related Commands [RF:MEASUre:ACPR:ADJACENTPAIRs](#), [RF:MEASUre:ACPR:CHANBW](#), [RF:MEASUre:ACPR:CHANSPACing](#), [RF:MEASUre:ACPR:POWer?](#), [RF:MEASUre:ACPR:LA1DB?](#), [RF:MEASUre:ACPR:LA2DB?](#), [RF:MEASUre:ACPR:LA3DB?](#), [RF:MEASUre:ACPR:UA1DB?](#), [RF:MEASUre:ACPR:UA3DB?](#)

Examples `RF:MEASUre:ACPR:UA2DB` might return `-30.000`, indicating that the Upper Area 2 side channel (right side of the Main channel) has 1/1000 the power of the Main channel.

`RF:MEASUre:ACPR:UA3DB?` (Query Only)

This query measures a ratio between the third upper side channel and the Main channel when performing ACPR measurements using a frequency domain trace. The power in the adjacent channel is equivalent to the power in the main channel (dBm) added to the power ratio (dB) of the adjacent channel. (The RF measurement type must be set to ACPR using the command `RF:MEASUre:TYPE`.)

Conditions MDO models only.

Group RF

Syntax `RF:MEASUre:ACPR:UA3DB?`

Related Commands `RF:MEASUre:ACPR:ADJACENTPAIRs`, `RF:MEASUre:ACPR:CHANBW`, `RF:MEASUre:ACPR:CHANSPECing`, `RF:MEASUre:ACPR:POWer?`, `RF:MEASUre:ACPR:LA1DB?`, `RF:MEASUre:ACPR:LA2DB?`, `RF:MEASUre:ACPR:LA3DB?`, `RF:MEASUre:ACPR:UA1DB?`, `RF:MEASUre:ACPR:UA2DB?`

Examples `RF:MEASUre:ACPR:UA3DB` might return `-30.000`, indicating that the Upper Area 3 side channel (on the right side of the Main channel) has 1/1000 the power of the Main channel.

`RF:MEASUre:CP:CHANBW`

This command specifies the channel bandwidth to use when the RF measurement type has been set to Channel Power (CP) using the command `RF:MEASUre:TYPE`. The channel bandwidth is centered about the CF (center frequency).

Note that the span is automatically controlled to be 10% wider than the channel width. The span maximum varies according to the oscilloscope model; either 3GHz or 6GHz.

Conditions MDO models only.

Group RF

Syntax RF:MEASure:CP:CHANBW <NR3>
RF:MEASure:CP:CHANBW?

Related Commands [RF:MEASure:CP:POWer?](#)

Arguments <NR3> is a floating point number.

Examples RF:MEASure:CP:CHANBW 5.0000E+6 sets the channel width to 5 MHz.

RF:MEASure:CP:POWer? (Query Only)

This query returns the total channel power within the displayed channel bandwidth, when the RF measurement type has been set to CP (using the command [RF:MEASure:TYPe](#)).

Group RF

Syntax RF:MEASure:CP:POWer?

Related Commands [RF:MEASure:CP:CHANBW](#)

Examples RF:MEASure:CP:POWer? might return 5.23 in whatever units have been selected using RF:UNITs.

RF:MEASure:OBW:CHANBW

This command specifies the Analysis Bandwidth to use, when the RF measurement type has been set to OBW (using the command [RF:MEASure:TYPe](#)). Note that the span automatically increases or decreases to be 10% more than the Analysis Bandwidth (providing some room around the signal of interest).

Conditions MDO models only.

Group RF

Syntax RF:MEASure:OBW:CHANBW <NR3>
RF:MEASure:OBW:CHANBW?

Related Commands [RF:MEASUre:OBW:POWer?](#), [RF:MEASUre:OBW:PERCENTdown](#),
[RF:MEASUre:OBW:LOWERFreq?](#), [RF:MEASUre:OBW:UPPERFreq?](#)

RF:MEASUre:OBW:LOWERFreq? (Query Only)

This query returns the lower frequency threshold (on the display, the white line to the left bracketing OBW power). The RF measurement type must be set to OBW using the command [RF:MEASUre:TYPE](#).

Conditions MDO models only.

Group RF

Syntax RF:MEASUre:OBW:LOWERFreq?

Related Commands [RF:MEASUre:OBW:CHANBW](#), [RF:MEASUre:OBW:POWer?](#),
[RF:MEASUre:OBW:PERCENTdown](#), [RF:MEASUre:OBW:UPPERFreq?](#)

Examples RF:MEASUre:OBW:LOWERFreq? might return 2.6000E+9, indicating that the lower frequency threshold is 2.6000E+9 Hz. If OBW:PERCENTdown is 80%, then $(100\% - 80\%) / 2$ or 10% of the total power will be above 2.6000E+9 Hz.

RF:MEASUre:OBW:PERCENTdown

This command specifies the percentage of total power within the Analysis Bandwidth (the OBW power) such that half of the remaining power will be below the OBW:LOWERFreq level and the other half of the remaining power will be above the OBW:UPPERFreq level.

The value can be set from 99.9 down to 60.0 in 0.1 increments. The RF measurement type must be set to OBW using the command [RF:MEASUre:TYPE](#).

Conditions MDO models only.

Group RF

Syntax RF:MEASUre:OBW:PERCENTdown <NR3>
RF:MEASUre:OBW:PERCENTdown?

Related Commands	RF:MEASUre:OBW:CHANBW , RF:MEASUre:OBW:POWer? , RF:MEASUre:OBW:LOWERFreq? , RF:MEASUre:OBW:UPPERFreq?
Arguments	<NR3> is a floating point number.
Examples	<code>RF:MEASUre:OBW:PERCENTdown 80</code> sets the OBW upper and lower frequencies such that 80% of the total power is contained within these two frequencies, with 20% remaining (10% on either side of these bounding frequencies). <code>RF:MEASUre:OBW:PERCENTdown?</code> might return 85.0000, indicating that 85% of the total power has been set to fit within the occupied bandwidth.

RF:MEASUre:OBW:POWer? (Query Only)

This query returns the total channel power within the occupied bandwidth, when the RF measurement type has been set to OBW (using the command [RF:MEASUre:TYPe](#)). The units are user-set (with the command [RF:UNIts](#)).

Conditions	MDO models only.
Group	RF
Syntax	<code>RF:MEASUre:OBW:POWer?</code>
Related Commands	RF:MEASUre:OBW:CHANBW , RF:MEASUre:OBW:PERCENTdown , RF:MEASUre:OBW:LOWERFreq? , RF:MEASUre:OBW:UPPERFreq?
Examples	<code>RF:MEASUre:OBW:POWer?</code> might return -26.1607, indicating that the total channel power within the occupied bandwidth is 26.1607 user-set units.

RF:MEASUre:OBW:UPPERFreq? (Query Only)

This query returns the upper frequency threshold (on the display, the white line to the right bracketing OBW power). The RF measurement type must be set to OBW using the command [RF:MEASUre:TYPe](#). This frequency will locate the position where (100% — OBW:PERCENTdown)/2 power is above this frequency.

Conditions	MDO models only.
-------------------	------------------

Group	RF
Syntax	RF:MEASUre:OBW:UPPERFreq?
Related Commands	RF:MEASUre:OBW:CHANBW , RF:MEASUre:OBW:POWER? , RF:MEASUre:OBW:PERCENTdown , RF:MEASUre:OBW:LOWERFreq?
Examples	RF:MEASUre:OBW:UPPERFreq? might return 2.4000E+9, indicating that the upper frequency threshold is 2.4000E+9 Hz. If OBW:PERCENTdown is 80%, then $(100\%-80\%)/2$ or 10% of the total power will be above 2.4000E+9 Hz.

RF:MEASUre:TYPE

This command specifies the RF measurement type: Channel Power, Adjacent Channel Power Ratio, Occupied Bandwidth, or none.

Conditions	MDO models only.
Group	RF
Syntax	RF:MEASUre:TYPE {NONE CP ACPR OBW} RF:MEASUre:TYPE?
Arguments	<p>CP — Channel Power is the total power within the bandwidth defined by the channel width. When this measurement is active, the span is automatically set 10% wider than the channel width, and the auto detection method is set to Average. To configure the channel width, use the command RF:MEASUre:CP:CHANBW. To query the total power within the channel bandwidth, use the command RF:MEASUre:CP:POWER?</p> <p>ACPR — The Adjacent Channel Power Ratio returns the power in the main channel and the ratio of channel power to main power for the upper and lower halves of each adjacent channel. When this measurement is active, the span is automatically set 10% larger than required to capture all channels, and the auto detection method is set to Average. To configure the number of adjacent channels, use the command RF:MEASUre:ACPR:ADJACENTPAIRs. To configure the channel width, use the command RF:MEASUre:ACPR:CHANBW. To configure the channel spacing, use the command RF:MEASUre:ACPR:CHANSPACing</p> <p>OBW — Occupied Bandwidth (OBW) is the bandwidth that contains the specified % of power within the Analysis Bandwidth. The OBW is the difference between the Upper Frequency and the Lower Frequency. When this measurement is active,</p>

the span is automatically set 10% larger than required to capture all channels, and the auto detection method is set to Average. To specify the Analysis Bandwidth, use the command `RF:MEASUre:OBW:CHANBW`. To specify the % of power, use the command `RF:MEASUre:OBW:PERCENTdown`.

NONE

Examples `RF:MEASUre:TYPE ACPR` sets the RF measurement type to ACPR.
`RF:MEASUre:TYPE?` might return NONE, the default.

RF:POSition

This command specifies the vertical position for the frequency domain traces. The vertical position is the location of the Reference Level with respect to the top of the graticule, in divisions. The lower limit is -10 divisions. The upper limit is +10 divisions.

Conditions MDO models only.

Group RF

Syntax `RF:POSition <NR3>`
`RF:POSition?`

Related Commands [RF:UNIts](#)

Arguments `<NR3>` is a floating point number.

Examples `RF:POSITION -3` moves the frequency domain baseline indicator down 3 graticule divisions from its default position.
`RF:POSITION?` might return 3.0000, indicating the baseline indicator has been set 3 divisions up from its default position.

RF:PRObe:AUTOZero (No Query Form)

This command executes the attached probe's AutoZero function, for probes that support this feature. See your probe documentation for more details.

Conditions MDO models only.

Group	RF
Syntax	RF:PRObe:AUTOZero EXECute
Examples	RF:PROBE:AUTOZERO EXECute performs the AutoZero function in the probe.

RF:PRObe:CALibrate (No Query Form)

This command executes a calibration or initialization for a probe attached to the RF input, if the probe is calibratable. To determine whether the probe is calibratable, use [RF:PRObe:CALibrate:CALIBRATABLE?](#).

Conditions	MDO models only.
Group	RF
Syntax	RF:PRObe:CALibrate {EXECute INITialize}
Related Commands	RF:PRObe:CALibrate:STATE? , RF:PRObe:CALibrate:CALIBRATABLE?
Arguments	EXECute — executes a calibration for the attached probe. INITialize — initializes the attached probe.
Examples	RF:PROBE:CALIBRATE INIT initializes the probe attached to the RF input.

RF:PRObe:CALibrate:CALIBRATABLE? (Query Only)

This query returns a boolean value that indicates whether the attached probe is calibratable.

Conditions	MDO models only.
Group	RF
Syntax	RF:PRObe:CALibrate:CALIBRATABLE?

Examples `RF:PRObe:CALibrate:CALIBRATABLE?` might return 0, indicating that the probe attached to the RF input is not calibratable.

RF:PRObe:CALibrate:STATE? (Query Only)

This command returns the calibration state of the probe connected to the RF input.

Conditions MDO models only.

Group RF

Syntax `RF:PRObe:CALibrate:STATE?`

Returns `DEFAULT` — Not calibrated
`COMPensated` — Last calibration passed
`RUNNING` — Probe calibration is in progress.

Examples `RF:PRObe:CALibrate:STATE?` might return `DEFAULT`, indicating that the probe is not calibrated.

RF:PRObe:COMMAND

This command sets the state of the probe control specified with the first argument to the state specified with the second argument. The commands and states are unique to the attached probe type. See the probe documentation for how to set these string arguments.

The command form takes 2 string arguments: the first is the probe command enumeration and the second is the data value.

The query form requires a single quoted string argument to specify the probe command enumeration for which the response data is requested.

Conditions MDO models only.

Group RF

Syntax `RF:PRObe:COMMAND <QString>, <QString>`
`RF:PRObe:COMMAND? <QString>`

Arguments <Qstring> are quoted strings specifying the probe command and value to set in the probe attached to the specified channel.

Examples RF:PROBE:COMMAND "MODE", "4-4V1MHZ" sets a Tektronix VPI-DPG probe to the 4-4V1MHz mode.

RF:PROBE:COMMAND "OUTPUT", "ON" turns the output of a Tektronix VPI-DPG probe on.

RF:PROBE:COMMAND?"MODE" might return RF:PROBE:COMMAND "MODE", "4-4V1MHZ".

RF:PRObe:DEGAUss (No Query Form)

This command starts a degauss/AutoZero cycle on a TekVPI current probe attached to the RF input.

Conditions MDO models only.

Group RF

Syntax RF:PRObe:DEGAUss EXECute

Examples RF:PROBE:DEGAUSS EXECute begins the degauss/AutoZero operation.

RF:PRObe:DEGAUss:STATE? (Query Only)

This command returns the state of the probe degauss for the RF input.

NOTE. This command will return *PASSED* for probes that do not support degauss operations.

Conditions MDO models only.

Group RF

Syntax RF:PRObe:DEGAUss:STATE?

Returns NEEDED indicates the probe should be degaussed before taking measurements.

RECOMMENDED indicates the measurement accuracy might be improved by degaussing the probe.

PASSED indicates the probe is degaussed.

FAILED indicates the degauss operation failed.

RUNNING indicates the probe degauss operation is currently in progress.

Examples RF:PROBE:DEGAUSS:STATE? might return FAILED, indicating the degauss operation failed.

RF:PRObe:FORCEDRange

This command specifies the range of a TekVPI probe attached to the RF input.

Conditions MDO models only.

Group RF

Syntax RF:PRObe:FORCEDRange <NR3>
RF:PRObe:FORCEDRange?

Arguments <NR3> is a floating point number that specifies the range, which is probe specific.

Returns The query form of this command returns 0.0 for probes that do not support forced ranges.

RF:PRObe:GAIN

This command specifies the scale factor for the probe attached to the RF input.

Conditions MDO models only.

Group RF

Syntax RF:PRObe:GAIN <NR3>
RF:PRObe:GAIN?

Arguments <NR3> is a floating point number that specifies the probe scale factor. Allowed values depend on the specific probe.

Examples RF:PROBE:GAIN? might return RF:PROBE:GAIN 0.1000E+00 indicating that the attached 10x probe delivers 1 V to the RF input for every 10 V applied to the probe input.

RF:PRObe:ID:SERnumber? (Query Only)

This query returns the serial number of the probe attached to the RF input.

NOTE. For Level 0 and 1 probes, the serial number will be "".

Conditions MDO models only.

Group RF

Syntax RF:PRObe:ID:SERnumber?

Related Commands [RF:PRObe:ID:TYPe?](#)

Examples RF:PROBE:ID:SERNUMBER? might return :RF:PROBE:ID:SERNUMBER "B010289" indicating that the serial number of the probe attached to the RF input is B010289.

RF:PRObe:ID:TYPe? (Query Only)

This query returns the type of probe attached to the RF input. Level 2 (or higher) probes supply their exact product nomenclature; for Level 0 or 1 probes, a generic **"No Probe Detected"* message is returned.

Conditions MDO models only.

Group RF

Syntax RF:PRObe:ID:TYPe?

Related Commands [RF:PRObe:ID:SERnumber?](#)

Examples `RF:PROBE:ID:TYPE?` might return `:RF:PROBE:ID:TYPE "P6203"` indicating that P6203-type probe is attached to the RF input.

RF:PRObe:PREAmp:MODE

Sets or returns the user-selected mode for an RF pre-amp connected to the RF input - either `BYPass` or `AUTO`.

Note that the actual *status* of the pre-amp (either `NONE`, `ON` or `BYPass`) is determined by the selected mode along with the RF reference level. You can query the status of the pre-amp using the command [RF:PRObe:PREAmp:STATUs?](#)

Conditions MDO models only.

Group RF

Syntax `RF:PRObe:PREAmp:MODE <BYPass | AUTO>`
`RF:PRObe:PREAmp:MODE?`

Related Commands [RF:PRObe:PREAmp:STATUs?](#)

Arguments `BYPass` means the pre-amp will not amplify the signal. When the mode is set to `BYPass`, the pre-amp amplification is always off, regardless of the RF reference level.

`AUTO` means the pre-amp will turn its amplification on or off based on the RF reference level. When the `MODE` is set to `AUTO` and the RF reference level is below the RF reference level threshold, then the pre-amp amplification is automatically turned on, and the `STATUs` is set to `ON`. When the RF reference level is at or above the RF reference level threshold, then the pre-amp amplification is automatically turned off, and the `STATUs` is set to `BYPass`.

NOTE. *The RF reference level threshold for the TPA-N-PRE model pre-amp is -25 dBm.*

Examples `RF:PRObe:PREAmp:MODE BYP` sets the preamp so that it will not amplify the signal.

`RF:PRObe:PREAmp:MODE?` might return `AUTO`, indicating that the pre-amp amplification has been set to turn on or off depending on whether the RF reference level is above or below the RF reference level threshold.

RF:PRObe:PREAmp:STATus? (Query Only)

Returns the actual status of the RF pre-amp connected to the RF input. The returned status enumerations are:

`NONE` – no pre-amp is connected.

`ON` – the pre-amp is connected and is in the amplification (non-bypassed) state.

`BYPass` – the pre-amp is connected but is in the bypassed state because the mode is set to `BYPass`, or the mode is set to `AUTO` and the RF reference level is at or above the RF reference level threshold.

You can set the mode for the pre-amp (either `BYPass` or `AUTO`) using the command [RF:PRObe:PREAmp:MODE](#).

NOTE. The RF reference level threshold for the TPA-N-PRE model pre-amp is -25 dBm.

Conditions	MDO models only.
Group	RF
Syntax	<code>RF:PRObe:PREAmp:STATus?</code>
Related Commands	RF:PRObe:PREAmp:MODE
Examples	<code>RF:PRObe:PREAmp:STATus?</code> might return <code>ON</code> , indicating that the pre-amp connected to the RF input is in the amplification (non-bypassed) state.

RF:PRObe:RESistance? (Query Only)

This query returns the input resistance of the probe attached to the RF input, if the probe supports it (otherwise, it returns 0.0). The RF input is 50 Ω impedance.

Conditions	MDO models only.
-------------------	------------------

Group	RF
Syntax	RF:PRObe:RESistance?
Examples	RF:PRObe:RESistance? might return :RF:PROBE:RESISTANCE 1.0000E+6 indicating that the input resistance of the probe attached to the RF input is 1 MΩ.

NOTE. This query will return 0.0 if no probe is attached or if the attached probe does not report the input resistance.

RF:PRObe:SIGnal

This command specifies the input bypass setting of a TekVPI probe attached to the RF input. The probe must support input bypass (for example, TCP0001).

Conditions	MDO models only.
Group	RF
Syntax	RF:PRObe:SIGna1 {BYPass PASS} RF:PRObe:SIGna1?
Arguments	BYPass sets the probe to Bypass mode. PASS sets the probe to Pass mode.

RF:PRObe:UNIts? (Query Only)

This query returns a quoted string that describes the units of measure for the probe attached to the RF input.

Conditions	MDO models only.
Group	RF
Syntax	RF:PRObe:UNIts?

Examples `RF:PROBE:UNITS?` might return `:RF:PROBE:UNITS "A"` indicating that the probe attached to the RF input is a current probe.

RF:RBW

This command specifies the resolution bandwidth (RBW) when the RBW mode has been set to MANUAL (using the command `RF:RBW:MODE`). The resolution bandwidth is the width of the narrowest measurable band of frequencies in a frequency domain trace. The RBW is adjustable down to 20Hz. By default, the RBW tracks the span value in a 1000:1 ratio.

The RBW determines the level to which the oscilloscope can resolve individual frequencies in the frequency domain. For example, if the input signal contains two carriers separated by 1 kHz, you will not be able to discriminate between them unless the RBW is less than 1 kHz.

Conditions MDO models only.

Group RF

Syntax `RF:RBW <NR3>`
`RF:RBW?`

Arguments `<NR3>` is a floating point number that represents the width of the narrowest measurable band of frequencies in a frequency domain trace.

Examples `RF:RBW 2.0E+04` sets the RBW to 20 kHz.
`RF:RBW?` might return `3.0000E+6`, indicating that the RBW has been set to 3 MHz.

RF:RBW:MODE

This command specifies the resolution bandwidth (RBW) mode, either automatic or manual.

Conditions MDO models only.

Group RF

Syntax RF:RBW:MODE {AUTO|MANua1}
RF:RBW:MODE?

Arguments AUTO sets the resolution bandwidth automatically as the span is changed. The default behavior is 1000:1, but you can set it to other values in a 1–2–5 sequence (e.g. 10000, 20000, 50000). To specify the RBW ratio that will be used when the mode is set to automatic, use the command [RF:SPANRbwratio](#).

MANua1 allows you to set the resolution bandwidth, independently from the span, using the command [RF:RBW](#).

Examples RF:RBW:MODE MANua1 sets the mode to manual.
RF:RBW:MODE? might return AUTO, the default.

RF:REFLevel

This command sets the Reference Level of the RF input. The Reference Level can either be specified as a numeric floating point value, or set automatically.

Conditions MDO models only.

Group RF

Syntax RF:REFLevel {<NR3>|AUTO}
RF:REFLevel?

Arguments <NR3> is a floating point number.

AUTO directs the oscilloscope to automatically calculate and set the Reference Level. This is a one-time calculation based on the content of the RF input signal. It is not a “mode”.

Examples RF:REFLevel -10 sets the Reference Level to -10 dBm.
RF:REFLevel? might return 0.0E+0, indicating a Reference Level of 0 dBm.

RF:RF_AMPlitude:LABel

This command specifies the label for the RF Amplitude vs. Time trace.

Conditions	MDO models only.
Group	RF
Syntax	RF:RF_AMPLitude:LABel <QString> RF:RF_AMPLitude:LABel?
Related Commands	RF:RF_FREQUENCY:LABel , RF:RF_PHASE:LABel , RF:LABel
Arguments	<QString> is a quoted string of up to 32 characters.

RF:RF_AMPLitude:VERTical:POSition

This command specifies the vertical position of the RF Amplitude vs. Time trace. The position value determines the vertical graticule location at which the trace is displayed. Increasing the position value of a waveform causes the waveform to move up. Decreasing the position value causes the waveform to move down. The minimum is -50 divisions and the maximum is 50 divisions with a resolution of 0.02 divisions.

Conditions	MDO models only.
Group	RF
Syntax	RF:RF_AMPLitude:VERTical:POSition <NR3> RF:RF_AMPLitude:VERTical:POSition?
Arguments	<NR3> is a floating point number.
Examples	RF:RF_AMPLitude:VERTical:POSition -1 sets the vertical position of the RF Amplitude vs. Time trace to -1 division. RF:RF_AMPLitude:VERTical:POSition? might return 0.0E+0, indicating a vertical position of 0.

RF:RF_AMPLitude:VERTical:SCALE

This command specifies the vertical scale for the RF Amplitude vs. Time trace. For a signal with constant amplitude, increasing the scale causes the waveform to

be displayed smaller. Decreasing the scale causes the waveform to be displayed larger.

Conditions MDO models only.

Group RF

Syntax RF:RF_AMPLitude:VERTical:SCALE <NR3>
RF:RF_AMPLitude:VERTical:SCALE?

Arguments <NR3> is a floating point number that specifies the vertical scale.

Examples RF:RF_AMPLitude:VERTical:SCALE 50E-3 sets the vertical scale to 50mV/division.

RF:RF_AMPLitude:VERTical:SCALE? might return 10.0000E-3, indicating that the vertical scale has been set to 10mV/division.

RF:RF_AVErage:COUNT? (Query Only)

This query returns the number of RF traces that have been accumulated to create the RF Average frequency domain trace.

Conditions MDO models only.

Group RF

Syntax RF:RF_AVErage:COUNT?

Returns This command returns an integer that ranges from 0 to the number of acquisitions specified in the command [RF:RF_AVErage:NUMAVg](#).

Examples RF:RF_AVErage:COUNT? might return 15, indicating that 15 traces have been accumulated to create the RF Average trace.

RF:RF_AVErage:NUMAVg

This command specifies the number of acquisitions to be used when creating the RF Average frequency domain trace, which displays the average of values from multiple acquisitions at each trace point. The range is 2 – 512, in exponential increments.

Conditions	MDO models only.
Group	RF
Syntax	RF:RF_AVErage:NUMAVg <NR1> RF:RF_AVErage:NUMAVg?
Related Commands	RF:RF_AVErage:COUNT?
Arguments	<NR1> is an integer.
Examples	RF:RF_AVErage:NUMAVg 100 sets the number of acquisitions to be used for the RF average trace to 128 (the closest power of 2 increment). RF:RF_AVErage:NUMAVg? might return 16, indicating that the number of averages for the RF average trace has been set to 16.

RF:RF_FREQuency:LABel

This command specifies the label for the RF Frequency vs. Time trace.

Conditions	MDO models only.
Group	RF
Syntax	RF:RF_FREQuency:LABel <QString> RF:RF_FREQuency:LABel?
Related Commands	RF:RF_AMPlitude:LABel , RF:RF_PHASe:LABel , RF:LABel
Arguments	<QString> is a quoted string of up to 32 characters.

RF:RF_FREQUENCY:VERTICAL:POSITION

This command specifies the vertical position for the RF Frequency vs. Time trace. The position value determines the vertical graticule location at which the trace is displayed. Increasing the position value of a waveform causes the waveform to move up. Decreasing the position value causes the waveform to move down. The minimum is -50 divisions and the maximum is 50 divisions with a resolution of 0.02 divisions.

Conditions MDO models only.

Group RF

Syntax RF:RF_FREQUENCY:VERTICAL:POSITION <NR3>
RF:RF_FREQUENCY:VERTICAL:POSITION?

Related Commands [RF:RF_FREQUENCY:VERTICAL:SCALE](#)

Arguments <NR3> is a floating point number.

Examples RF:RF_FREQUENCY:VERTICAL:POSITION -1 sets the vertical position of the RF Frequency vs. Time trace to -1 division.

RF:RF_FREQUENCY:VERTICAL:POSITION? might return 0.0E+0, indicating a vertical position of 0.

RF:RF_FREQUENCY:VERTICAL:SCALE

This command specifies the vertical scale for the RF Frequency vs. Time trace. For a signal with constant amplitude, increasing the scale causes the waveform to be displayed smaller. Decreasing the scale causes the waveform to be displayed larger.

Conditions MDO models only.

Group RF

Syntax RF:RF_FREQUENCY:VERTICAL:SCALE <NR3>
RF:RF_FREQUENCY:VERTICAL:SCALE?

Related Commands [RF:RF_FREQUENCY:VERTICAL:POSITION](#)

Arguments <NR3> is a floating point number that specifies the vertical scale.

Examples RF:RF_FREQUENCY:VERTICAL:SCALE 1.0000E+6 sets the vertical scale to 1 MHz/division.
 RF:RF_FREQUENCY:VERTICAL:SCALE? might return 1.0000E+6, indicating that the vertical scale has been set to 1 MHz/division.

RF:RF_PHASE:LABEL

This command specifies the label for the RF Phase vs. Time trace.

Conditions MDO models only.

Group RF

Syntax RF:RF_PHASE:LABEL <QString>
 RF:RF_PHASE:LABEL?

Related Commands [RF:RF_AMPLITUDE:LABEL](#), [RF:RF_FREQUENCY:LABEL](#), [RF:LABEL](#)

Arguments <QString> is a quoted string of up to 32 characters.

RF:RF_PHASE:VERTICAL:POSITION

This command specifies the vertical position for RF Phase vs. Time trace. The position value determines the vertical graticule location at which the trace is displayed. Increasing the position value of a waveform causes the waveform to move up. Decreasing the position value causes the waveform to move down. The minimum is -50 divisions and the maximum is 50 divisions with a resolution of 0.02 divisions.

Conditions MDO models only.

Group RF

Syntax RF:RF_PHASE:VERTical:POSITION <NR3>
RF:RF_PHASE:VERTical:POSITION?

Related Commands [RF:RF_PHASE:VERTical:SCALE](#)

Arguments <NR3> is a floating point number that specifies the vertical position.

Examples RF:RF_PHASE:VERTical:POSITION -1 sets the vertical position of the RF Phase vs. Time trace to -1 division.

RF:RF_PHASE:VERTical:POSITION? might return 0.0E+0, indicating a vertical position of 0.

RF:RF_PHASE:VERTical:SCALE

This command specifies the vertical scale for RF Phase vs. Time trace. For a signal with constant amplitude, increasing the scale causes the waveform to be displayed smaller. Decreasing the scale causes the waveform to be displayed larger.

Conditions MDO models only.

Group RF

Syntax RF:RF_PHASE:VERTical:SCALE <NR3>
RF:RF_PHASE:VERTical:SCALE?

Related Commands [RF:RF_PHASE:VERTical:POSITION](#)

Arguments <NR3> is a floating point number that specifies the vertical scale.

Examples RF:RF_PHASE:VERTical:SCALE 50 sets the vertical scale to 50 degrees/division.

RF:RF_PHASE:VERTical:SCALE? might return 50.0000, indicating that the vertical scale has been set to 50 degrees/division.

RF:SCALE

This command specifies the overall vertical scale setting of the frequency domain window. The lower limit is 0.1 dB/division. The upper limit is 100dB/division. The vertical scale is adjustable in a 1–2–5 sequence.

Conditions MDO models only.

Group RF

Syntax RF:SCALE <NR3>
RF:SCALE?

Arguments <NR3> is a floating point number.

Examples RF:SCALE 10 sets the vertical scale to 10 dB/division.

RF:SCALE? might return 10.000, indicating that the vertical scale has been set to 10 dB/division.

RF:SPAN

This command specifies the span setting. The span is the range of frequencies that can be observed around the center frequency. This is the width of the frequency domain trace, which is equal to the stop frequency minus the start frequency. The span maximum varies according to the oscilloscope model; either 3GHz or 6GHz.

NOTE. For the parameters RF:START, RF:STOP, RF:FREQUENCY and RF:SPAN, when any one of the parameters is changed, the following relationship is enforced:

$$START = FREQ - SPAN/2$$

$$STOP = FREQ + SPAN/2$$

$$FREQ = (START + STOP)/2$$

$$SPAN = STOP - START$$

Conditions MDO models only.

Group RF

Syntax RF:SPAN <NR3>
RF:SPAN?

Related Commands [RF:FREQuency](#), [RF:START](#), [RF:STOP](#)

Arguments <NR3> is a floating point number.

Examples RF:SPAN 2E9 sets the span to 2 GHz.
RF:SPAN? might return 10.0000E+6, indicating the span is 10MHz.

RF:SPANRbwratio

This command specifies the ratio of the span to the resolution bandwidth (RBW) that will be used when the RBW Mode is set to AUTO. (In order to set the RBW Mode to AUTO, use the command [RF:RBW:MODE](#).)

The span is the width of the frequency domain trace in Hz, which is equal to the stop frequency minus the start frequency. The RBW is the width of the narrowest measurable band of frequencies in a frequency domain trace. The default RBW ratio is a factor of 1000.

Conditions MDO models only.

Group RF

Syntax RF:SPANRbwratio <NR3>
RF:SPANRbwratio?

Arguments <NR3> is a floating point number.

Examples RF:SPANRbwratio 1000 would force the scope to adjust the RBW to one one-thousandth of the span.
RF:SPANRbwratio? might return 1.0000E+3, which means the RBW has been set to one one-thousandth of the span.

RF:SPECTRogram:NUMSLICES? (Query Only)

This query returns the number of spectrogram slices that are currently being rendered. A spectrogram slice is a section of the spectrogram representing one interval, or slice, of time in the spectrogram record.

Conditions	MDO models only.
Group	RF
Syntax	RF:SPECTRogram:NUMSLICES?
Related Commands	RF:SPECTRogram:STATE , RF:SPECTRogram:NUMSLICES? ,
Examples	RF:SPECTRogram:NUMSLICES? might return 85, indicating that the spectrogram is made up of 85 individual time slices.

RF:SPECTRogram:SLICESElect

This command specifies the spectrogram slice number that is to be displayed. Allowable slice numbers range from 0 to –327 in full-screen mode, and 0 to –147 in split-screen mode. (The range is negative because the numbering starts with the latest slice (0) and proceeds backwards in time.) The slice can only be selected or changed when acquisitions have been stopped. As soon as acquisitions start again, the slice number is reset to 0 (the latest slice). Attempts to select a slice number outside of range, or when acquisitions are running, are ignored. The query form returns the currently selected spectrogram slice.

To use this command, first turn on the spectrogram ([RF:SPECTRogram:STATE](#)). Then query the number of slices ([RF:SPECTRogram:NUMSLICES?](#)). Stop the acquisition when you've reached the number of desired slices. Then select the slice to display ([RF:SPECTRogram:SLICESElect](#)).

Each slice of the spectrogram corresponds to a single RF acquisition. The FFT samples the entire spectrum for the incoming signal (at the rate with which new spectrums are acquired). The newest spectrum is on the bottom edge of the spectrogram, and the oldest is on the top edge. When the oscilloscope is stopped, you can scroll “back in time” through the spectrogram using the spectrum slice control. When you select a spectrogram slice, it is displayed in the bottom window as the RF Normal trace.

NOTE. *When acquisitions are stopped and the spectrogram is displayed, the spectrogram slice trace is displayed as the RF Normal frequency domain trace.*

Conditions	MDO models only.
Group	RF
Syntax	RF:SPECTRogram:SLICESElect <NR1> RF:SPECTRogram:SLICESElect?
Related Commands	RF:SPECTRogram:STATE , RF:SPECTRogram:NUMSLICES? ,
Arguments	<NR1> is an integer that specifies the spectrogram slice number that is to be displayed, ranging from 0 to -327.
Examples	RF:SPECTRogram:SLICESElect -5 would select the slice that is five acquisitions before the most recent one. RF:SPECTRogram:SLICESElect? might return 0, indicating that the latest spectrogram slice is being displayed.

RF:SPECTRogram:STATE

This command switches the frequency domain spectrogram display on or off.

The spectrogram illustrates how frequency and amplitude change over time. It is useful for monitoring slowly-changing RF events, and for identifying low amplitude signals too subtle for the eye to catch in a regular frequency domain display. The x-axis shows frequency, and the y-axis shows time. Amplitude is represented by the color of the trace. Cold colors (blue, green) indicate low amplitude, and hot colors (red, yellow) indicate high amplitude. When acquisitions are stopped, you can navigate back through each spectrum slice in the spectrogram by using the [RF:SPECTRogram:NUMSLICES?](#) and [RF:SPECTRogram:SLICESElect](#) commands.

Conditions	MDO models only.
Group	RF
Syntax	RF:SPECTRogram:STATE {OFF ON 0 1} RF:SPECTRogram:STATE?
Related Commands	RF:SPECTRogram:NUMSLICES? , RF:SPECTRogram:SLICESElect

Examples RF:SPECTROgram:STATE ON or 1 turns the frequency domain spectrogram display on.

RF:SPECTROgram:STATE? might return 0, indicating that the spectrogram function is off.

RF:SPECTRUMMode

When only the frequency domain waveforms are displayed (no time domain waveforms), you can choose whether the MDO4000 should use Triggered mode or Free Run mode. When Triggered mode is selected, you can control all trigger settings, including Normal and Auto triggering. When Free Run mode is selected, the oscilloscope generates RF acquisitions as fast as possible. The default is FREErun. (To display only the frequency domain waveforms, turn off all time domain waveforms, including channels 1- 4, digital channels 0 - 15, buses, time domain math waveforms, time domain reference waveforms, and any RF vs. Time traces.)

When the oscilloscope displays both time and frequency domain waveforms, then the instrument's trigger system is in control of the Triggered mode and the RF acquisitions.

NOTE. Note: the Free Run spectrum mode is only possible when all analog and digital channels are turned off.

Conditions MDO models only.

Group RF

Syntax RF:SPECTRUMMode {TRIGgered|FREErun}
RF:SPECTRUMMode?

Arguments TRIGgered ties RF acquisitions to the scope's unified triggering system for all channels.

FREErun acquires RF data as often as processing allows, without waiting for trigger events.

Examples RF:SPECTRUMMode TRIG sets the RF spectrum mode to TRIGgered.

RF:SPECTRUMMode? might return FREERUN, indicating the spectrum mode is free run, the default.

RF:SQUELCH:STATE

This command turns the squelch control on or off for the RF Frequency vs. Time and RF Phase vs. Time traces. When squelch is on, only the portions of these traces where the amplitude exceeds the squelch threshold are displayed. This prevents the display of Phase and/or Frequency for signals that are at or near noise levels. The RF amplitude can be observed in the RF Amplitude vs. Time trace.

Conditions MDO models only.

Group RF

Syntax RF:SQUELCH:STATE {OFF|ON|0|1}
RF:SQUELCH:STATE?

Related Commands [RF:SQUELCH:THReshold](#)

Examples RF:SQUELCH:STATE ON turns the squelch control on.

RF:SQUELCH:STATE? might return 0, indicating that squelch has been turned off.

RF:SQUELCH:THReshold

This command specifies the squelch threshold level, in volts, for the RF Frequency vs. Time and RF Phase vs. Time traces.

Conditions MDO models only.

Group RF

Syntax RF:SQUELCH:THReshold <NR3>
RF:SQUELCH:THReshold?

Related Commands [RF:SQUELCH:STATE](#)

Arguments <NR3> is a floating point number.

Examples RF:SQUELCH:THReshold 200.0000E-6 sets the squelch threshold level to 200 μ V.

RF:SQUELCH:THResho1d? might return 22.0000E-6, indicating the squelch threshold level is 22 μ V.

RF:START

This command specifies to exclude frequencies below a certain level from use.

NOTE. For the parameters RF:START, RF:STOP, RF:FREQuency and RF:SPAN, when any one of the parameters is changed, the following relationship is enforced:

$$START = FREQ - SPAN/2$$

$$STOP = FREQ + SPAN/2$$

$$FREQ = (START + STOP)/2$$

$$SPAN = STOP - START$$

Conditions MDO models only.

Group RF

Syntax RF:START <NR3>
RF:START?

Arguments <NR3> is a floating point value that represents the Start frequency.

Examples RF:START 0 specifies to exclude frequencies below 0 Hz from use.
RF:START? might return 0.0E+0, indicating that the Start frequency is 0 Hz.

RF:STOP

This command specifies to exclude frequencies above a certain level from use.

NOTE. For the parameters RF:START, RF:STOP, RF:FREQuency and RF:SPAN, when any one of the parameters is changed, the following relationship is enforced:

$$START = FREQ - SPAN/2$$

$$STOP = FREQ + SPAN/2$$

$$FREQ = (START + STOP)/2$$

$$SPAN = STOP - START$$

Conditions	MDO models only.
Group	RF
Syntax	RF:STOP <NR3> RF:STOP?
Arguments	<NR3> is a floating point value.
Examples	RF:STOP 3.0000E+9 specifies to exclude frequencies above 3 GHz from use. RF:STOP? might return 3.0000E+9, the default.

RF:UNIts

This command specifies the vertical units to be used in all RF-related absolute logarithmic amplitudes.

Conditions	MDO models only.
Group	RF
Syntax	RF:UNIts {DBM DBUW DBMV DBUV DBMA DBUA} RF:UNIts?
Arguments	DBM — Decibel milliwatts. DBUW — Decibel microwatts. DBMV — Decibel millivolts. DBUV — Decibel microvolts. DBMA — Decibel milliamperes. DBUA — Decibel microamperes.
Examples	RF:UNIts DBUV sets the units to be used in marker and measurement commands to decibel microvolts. RF:UNIts? might return DBM, indicating that the current units are in decibel milliwatts.

RF:WINDow

This command specifies which window will be used for the windowing function, which is only used for the three time domain RF traces (RF Amplitude vs. Time, RF Frequency vs. Time and RF Phase vs. Time). The windowing function is a Fast Fourier Transform (FFT) technique used to minimize the discontinuities between successive frames of an RF time domain signal. The MDO4000 Series Oscilloscope includes a set of standard window functions. The default window is Kaiser.

Conditions MDO models only.

Group RF

Syntax RF:WINDow
 {RECTangular|HAMming|HANning|BLACKmanharris|KAISer|FLATtop}
 RF:WINDow?

Arguments RECTangular — window function equivalent to multiplying all gate data by one (sometimes known as a Dirichlet window).

HAMming — a high or moderate resolution window based on a cosine series.

HANning — a high or moderate resolution window based on a cosine series.

BLACKmanharris — a low-resolution (high dynamic range) window based on a cosine series.

KAISer — a high or moderate resolution window.

FLATtop — a low-resolution (high dynamic range) window.

Examples RF:WINDow BLA sets the window to BLAckmanharris.

RF:WINDOW? KAISER indicates that the window function is set to the default, Kaiser.

ROSc:SOURce

This command specifies the source for the time base reference oscillator. The reference oscillator locks to this source. Depending on the command argument that you specify, you can use an external reference or use the internal crystal oscillator as the time base reference.

This command is also useful for synchronizing multiple instruments.

NOTE. *If using an external oscillator, its input frequency variation tolerance needs to be 10MHz +/- 1% (ie. 9.9 MHz to 10.1MHz) and 7Vp-p maximum voltage.*

Group Miscellaneous

Syntax `ROSc:SOURce {INTERNAL|EXTERNAL}`
`ROSc:SOURce?`

Related Commands [ROSc:STATE?](#)

Arguments `INTERNAL` specifies to use the internal 10 MHz crystal oscillator as the time base reference.

`EXTERNAL` specifies to use a user-supplied external signal as the time base reference.

Examples `ROSc:SOURce?` might return `INTERNAL`, indicating that the 10 MHz crystal oscillator is being used as the time base reference.

ROSc:STATE? (Query Only)

This query returns an enumeration value that indicates the lock state of the reference oscillator specified by the `ROSc:SOURce` command. The values returned are `LOCKED` or `UNLOCKED`.

Group Miscellaneous

Syntax `ROSc:STATE?`

Related Commands [ROSc:SOURce](#)

Examples `ROSc:STATE?` might return `LOCKED`, indicating that the time base reference is locked.

*RST (No Query Form)

Resets the oscilloscope to the factory default settings. The *RST command does not alter the following:

- Calibration data that affect device specifications
- The Output Queue
- The Service Request Enable Register setting
- The Power-on status clear flag setting
- Alias definitions
- Stored settings
- The *PUD? Response
- Any of the values associated with the DATA command.
- Oscilloscope password

Group Status and Error

Syntax *RST

Related Commands [FACTory](#),
[RECALL:SETUp](#),
[SAVe:SETUp](#),
[*PSC](#),
[*RCL](#),
[*SAV](#)

Arguments None

Examples *RST resets the oscilloscope settings to factory defaults.

*SAV (No Query Form)

Stores the state of the oscilloscope to a specified memory location. You can use the *RCL command to restore the oscilloscope to this saved state at a later time.

Group Save and Recall

Syntax *SAV <NR1>

Related Commands *RCL, RECALL:SETUp,
SAVe:SETUp

Arguments <NR1> specifies a location in which to save the state of the oscilloscope. Location values range from 1 through 10. Using an out-of-range location value causes an execution error. Any settings that have been stored previously at this location will be overwritten.

Examples *SAV 2 saves the current oscilloscope state in memory location 2.

SAVe:ASSIgn:TYPE

This command specifies the assignment of the data to be saved when the front-panel Save button is pressed.

Group Save and Recall

Syntax SAvE:ASSIgn:TYPE {IMAGe|WAVEform|SETUp}
SAVe:ASSIgn:TYPE?

Arguments IMAGe assigns the Save button to save screen images.
WAVEform assigns the Save button to save waveforms.
SETUp assigns the Save button to save setups.

SAVe:EVENTtable:{BUS<x>|B<x>} (No Query Form)

Saves the data from bus<x> to a specified file and location; where x is the bus number 1-4 1-4.

NOTE. *External file structure is as follows:*

E: is the USB memory device plugged into the first USB port on the front of the oscilloscope.

F: is the USB memory device plugged into the second USB port on the front of the oscilloscope.

G: and H: are the USB memory device plugged into the USB ports on the rear of the oscilloscope.

I: is the network storage.

Group Save and Recall

Syntax SAVE:EVENTtable:{BUS<x>|B<x>} <file path>

Arguments <file path> is a quoted string that defines the file name and path location where the event table will be stored.

NOTE. *<filename> stands for a filename of up to 125 characters, followed by a period (".") and the three-character extension. Waveform files should have a .csv extension for comma-separated spreadsheet format files.*

SAVE:IMAGe (No Query Form)

Saves a capture of the screen image to the specified file. Supported image formats are PNG, Windows Bitmap, and TIFF. The file format is specified by the [SAVE:IMAGe:FILEFormat](#) command. The [SAVE:IMAGe:INKSaver](#) command determines whether the data is saved in InkSaver mode.

NOTE. *The external file structure is as follows:*

E: is the USB memory device plugged into the first USB port on the front of the oscilloscope.

F: is the USB memory device plugged into the second USB port on the front of the oscilloscope.

G: and H: are the USB memory device plugged into the USB ports on the rear of the oscilloscope.

I: is the network storage.

Group Save and Recall

Syntax SAVE:IMAGe <file path>

Related Commands [SAVE:ASSIgn:TYPE](#)

Arguments <file path> is a filename, including path, where the image will be saved. If you do not specify a directory, the oscilloscope will store the file in the current working directory. File name extensions are not required but are highly recommended. The path “D:/foo.png” will save an image to the file “foo.png” on the Compact Flash card.

SAVE:IMAGe:FILEFormat

This command specifies the file format to use for saving screen images.

NOTE. *The file format is not automatically determined by the file name extension. You need to choose a file format with an extension which is consistent with the selected file format.*

Group Save and Recall

Syntax SAVE:IMAGe:FILEFormat {PNG|BMP|TIFF}
SAVE:IMAGe:FILEFormat?

Related Commands [SAVE:IMAGe](#)

Arguments PNG saves the file in Portable Network Graphics format.
BMP saves the file in Microsoft Windows bitmap format.
TIFF saves the file in Tagged Image File Format.

SAVE:IMAGe:INKSaver

This command specifies the current ink saver setting for the [SAVE:IMAGe](#) command. If set to “ON” or “1”, images will be generated using the ink saver palette. If set to “OFF” or “0”, images will be generated using the standard palette.

Group Save and Recall

Syntax `SAVE:IMAGE:INKSaver {OFF|ON|0|1}`
`SAVE:IMAGE:INKSaver?`

Related Commands [SAVE:IMAGe](#)

Arguments OFF or 0 generates images from the Inksaver palette.
 ON or 1 generates images using the Standard palette.

SAVE:IMAGe:LAYout

This command specifies the layout to use for saved screen images.

Group Save and Recall

Syntax `SAVE:IMAGE:LAYout {LANDscape|PORTRait}`
`SAVE:IMAGE:LAYout?`

Arguments LANDscape specifies that screen images are saved in landscape format.
 PORTRait specifies that screen images are saved in portrait format.

SAVE:MASK (No Query Form)

This command saves the current mask definition to the file specified with a quoted string, into the current working directory. You can recall the mask from the file by using the command [RECALL:MASK](#)

NOTE. *If you would like to save the mask definition plus the rest of the scope settings to the current working directory, use the command `SAVE:SETUP`.*

To ensure that Mask commands are enabled, use the command `APPLICATION:TYPE LIMITMask`.

A series of examples showing how to use mask commands for typical tasks is included in an appendix. (See page E-1, *Mask/Limit Command Sequence Examples*.)

Conditions This command requires a DPO4LMT application module.

Group	Mask
Syntax	SAVe:MASK <QString>
Related Commands	RECALL:MASK
Arguments	QString is a quoted string that is the name of the mask definition being saved to the current working directory.
Examples	:SAVe:MASK "FOO.MSK" will save a copy of the mask "FOO" to the current working directory.

SAVe:SETUp (No Query Form)

Stores the state of the oscilloscope to a specified memory location. You can later use the *RCL command to restore the oscilloscope to this saved state.

NOTE. External file structure is as follows:

E: is the USB memory device plugged into the first USB port on the front of the oscilloscope.

F: is the USB memory device plugged into the second USB port on the front of the oscilloscope.

G: and H: are the USB memory device plugged into the USB ports on the rear of the oscilloscope.

I: is the network storage.

Group	Save and Recall
Syntax	SAVe:SETUp {<file path> <NR1>}
Related Commands	*RCL , RECALL:SETUp , *SAV
Arguments	<file path> is the target location for storing the setup file. <file path> is a quoted string that defines the file name and path. Input the file path using the form <drive>:<dir>/<filename>. <extension> and one or <dir>s are optional. If you do not specify them, the oscilloscope will store the file in the current

working directory. <filename> stands for a filename. (Use of wildcard characters in filenames is not supported.) Filename extensions are not required but are highly recommended. For setups, use the extension ".SET".

<NR1> specifies a location for saving the current front-panel setup. The front-panel setup value ranges from 1 to 10. Using an out-of-range value causes an execution error. Any settings that have been stored previously at this location will be overwritten.

Examples `SAVE:SETUP 5` saves the current oscilloscope setup in memory location 5.

`SAVE:SETUP "TEK00000.SET"` saves the current oscilloscope setup in the file `TEK00000.SET` in the current working directory.

SAVE:WAVEform (No Query Form)

This command saves a specified waveform or all displayed waveforms (with some restrictions) to a file or to a reference memory location. The command uses two arguments: the first is either the source waveform or ALL; the second is either a file (quoted string) or a reference location (REF<x>).

When saving a waveform to a file, it is saved to the .ISF (internal) format when `SAVE:WAVEFORM:FILEFORMAT` is set to `INTERNAL`, or it is saved to a .CSV (comma-delimited) file when `SAVE:WAVEFORM:FILEFORMAT` is set to `SPREADSHEET`.

NOTE. *The external file structure is as follows:*

E: is the USB memory device plugged into the first (left) USB port on the front of the oscilloscope.

F: is the USB memory device plugged into the second (right) USB port on the front of the oscilloscope.

G: and H: are the USB memory device plugged into the USB ports on the rear of the oscilloscope.

I:—Z: are for network storage.

Group Save and Recall

Syntax `SAVE:WAVEform[<wfm>,{REF<x>}]` | `[<wfm>,<Qstring>]` | `[ALL,<Qstring>]`

Related Commands [RECALL:WAVEform](#),

SAVe:WAVEform:FILEFormat**Arguments**

<wfm>, <REF<x>> saves the specified waveform to the specified reference memory location REF 1–4. <wfm> can be one of the following:

CH1–CH4 specifies to save an analog channel waveform.

MATH specifies to save the Math waveform.

REF1–REF4 specifies to save a reference waveform.

D0–D15 specifies to save a digital channel waveform. (MSO/MDO models only.)

RF_AMPli tude|RF_FREQuency|RF_PHASe|RF_NORMAl|RF_AVErAge|RF_MAXHOld|RF_MINHOld specifies to save an RF trace. (MDO models only.)

RF_BB_IQ specifies to save baseband I&Q data. This file format is automatically saved using a .TIQ file extension. You can import .TIQ files into Tektronix SignalVu-PC software (PC based), SignalVu software (oscilloscope based), RSAVu software (PC based) or into a Tektronix real-time spectrum analyzer for pulse analysis and demodulation analysis.

Note that only these waveforms can be saved to a reference memory location: CH1–4, MATH, REF1–4, RF_AMPli tude, RF_FREQuency, RF_PHASe, RF_NORMAl, RF_AVErAge, RF_MAXHOld and RF_MINHOld.

<wfm>, <QString> saves the waveform to the file specified in the quoted string argument. Digital waveforms can only be saved when **SAVe:WAVEform:FILEFormat** is set to **SPREADSHEET**.

<QString> specifies the file name and path that waveform data is to be saved to. Input the file path using the form <drive>:<dir>/<filename>. (Note that <drive> and one or more <dir>s are optional; if you do not specify them, the instrument will write the waveform to the current working directory as specified by **FILESystem:CWD**.) <filename> stands for a filename of up to 125 characters, followed by a period (".") and the three-character extension. Waveform files should have a .ISF extension for internal file format files, or a .CSV extension for comma-separated spreadsheet files.

ALL, <QString> saves all displayed waveforms, excluding serial bus waveforms and RF_BB_IQ data, to a single .CSV file specified by the quoted string argument when **SAVe:WAVEform:FILEFormat** is set to **SPREADSHEET**. If the **SAVe:WAVEform:FILEFormat** command is set to **INTERNAL**, it saves all displayed waveforms, excluding serial bus waveforms and digital channel waveforms, to individual .ISF files, with a file name prefix specified by the argument with an underscore (_) and the waveform ID (such as CH1, REF1, MATH) appended to the file name.

- Examples** `SAVE:WAVEFORM CH1,REF1` saves the CH1 waveform to reference memory location 1.
- `SAVE:WAVEFORM ALL,"D:/test_folder/test1_all.csv"` saves all displayed waveforms (excluding serial bus waveforms) to `D:/test_folder/test1_all.csv` when the file format is set to `SPREADSHEET`.
- `SAVE:WAVEFORM ALL,"D:/test_folder/test1"` saves all displayed waveforms (excluding serial bus waveforms and digital channels for MSO/MDO models) to individual files named `D:/test_folder/test1_<wfm>.isf` (for example `test1_CH1.isf`) when the file format is set to `INTERNAL`.

SAVE:WAVEform:FILEFormat

This command specifies the file format to be used when saving waveforms — either an internal format, `.ISF`, or an external comma-delimited spreadsheet format, `.CSV`, that includes waveform header and timing information.

NOTE. *If the waveform source is `RF_BB_IQ` (baseband I&Q), then the `SAVE:WAVEform:FILEFormat` is not applicable. The command `SAVE:WAVEform` saves the `RF_BB_IQ` waveform as a `.TIQ` file. You can import `.TIQ` files into Tektronix SignalVu-PC software (PC based), SignalVu software (oscilloscope based), RSAVu software (PC based) or into a Tektronix real-time spectrum analyzer for pulse analysis and demodulation analysis.*

Group Save and Recall

Syntax `SAVE:WAVEform:FILEFormat {INTERNAL|SPREADSheet}`
`SAVE:WAVEform:FILEFormat?`

Related Commands [CURVe](#),
[DATa](#),
[DATa:START](#),
[DATa:STOP](#),
[SAVE:WAVEform](#),
[WFMinpre:NR_Pt](#),
[WFMOupre:NR_Pt?](#)

- Arguments** `INTERNAL` specifies to save waveforms using an internal format. The file name should be specified with `.ISF` filename extension. These files can be recalled as reference waveforms.
- `SPREADSHEET` specifies that waveform data is saved in a format that contains comma delimited values. These waveform data files should be named using the `.CSV` filename extension. Saving waveforms in `.CSV` format enables spreadsheet programs to import the data.
- Examples** `SAVE:WAVEFORM:FILEFORMAT INTERNAL` specifies that the internal `.ISV` file format is the format specified for saved waveforms.
- `SAVE:WAVEFORM:FILEFORMAT?` might return `:SAVE:WAVEFORM:FILEFORMAT SPREADSHEET` indicating that waveforms are saved using the comma-delimited `.CSV` format, enabling them to be imported by spreadsheet programs.

SAVE:WAVEform:GATIng

Specifies whether save waveform operations should save the entire waveform (`NONE`) or a specified portion of the waveform.

- Group** Save and Recall
- Syntax** `SAVE:WAVEform:GATIng {NONE|CURSors|SCREEN}`
`SAVE:WAVEform:GATIng?`
- Arguments** `CURSors` turns on cursors and the gates are the waveform record points at the cursor positions.
- `NONE` saves the entire waveform.
- `SCREEN`, if zoom is on, the gates are the start and end waveform record points of the zoom (upper) graticule, otherwise the gates are the start and end waveform record points of the main graticule.
- Examples** `SAVE:WAVEFORM:GATING CURSors` specifies that, when the waveform gating is set to cursors, save waveform operations should save the waveform points between the cursors. If cursors are turned off, waveform gating automatically reverts to `NONE`.

SEARCH? (Query Only)

Returns all search-related settings.

Group	Search
Syntax	SEARCH?
Examples	<p>SEARCH? might return:</p> <pre> :SEARCH:SEARCH1:TRIG:A:BUS:B1:SPI:COND SS;DAT:MOSI:VAL "XXXXXXXX";:SEARCH:SEARCH1:TRIG:A:BUS:B1:SPI:DAT:MISO:VAL "XXXXXXXX";:SEARCH:SEARCH1:TRIG:A:BUS:B1:SPI:DAT:SIZ 1;:SEARCH:SEARCH1:TRIG:A:BUS:B1:I2C:COND STAR;DAT:VAL "XXXXXXXX";SIZ 1;DIR NOCARE;;:SEARCH:SEARCH1:TRIG:A:BUS:B1:I2C:ADDR:MOD ADDR7;TYP USER;VAL "XXXXXXXX";:SEARCH:SEARCH1:TRIG:A:BUS:B1:CAN:COND SOF;FRAME DATA;DAT:VAL "XXXXXXXX";SIZ 1;D IR NOCARE;QUAL EQU;;:SEARCH:SEARCH1:TRIG:A:BUS:B1:CAN:ID:MOD ST;VAL "XXXXXXXXXXXX";:SEARCH:SEARCH1:TRI G:A:BUS:B2:SPI:COND SS;DAT:MOSI:VAL "XXXXXXXX";:SEARCH:SEARCH1:TRIG:A:BUS:B2:SPI:DAT:MISO:VAL "XXXXX XXX";:SEARCH:SEARCH1:TRIG:A:BUS:B2:SPI:DAT:SIZ 1;:SEARCH:SEARCH1:TRIG:A:BUS:B2:I2C:COND STAR;DAT:VAL "XXXXXXXX";SIZ 1;DIR NOCARE;;:SEARCH:SEARCH1:TRIG:A:BUS:B2:I2C:ADDR:MOD ADDR7;TYP USER;VAL "XXXXXXXX" ;:SEARCH:SEARCH1:TRIG:A:BUS:B2:CAN:COND SOF;FRAME DATA;DAT:VAL "XXXXXXXX";SIZ 1;DIR NOCARE;QUAL EQU; :SEARCH:SEARCH1:TRIG:A:BUS:B2:CAN:ID:MOD ST;VAL "XXXXXXXXXXXX";:SEARCH:SEARCH1:TRIG:A:BUS:SOU B1;:SEA RCH:SEARCH1:TRIG:A:TYP EDG;LEV 0.0000;LEV:CH1 0.0000;CH2 0.0000;CH3 0.0000;CH4 0.0000;MATH 0.0000;RE F1 0.0000;REF2 0.0000;REF3 0.0000;REF4 0.0000;;:SEARCH:SEARCH1:TRIG:A:UPP:CH1 800.0000E-3;CH2 800.000 0E-3;CH3 800.0000E-3;CH4 800.0000E-3;MATH 800.0000E-3;REF1 800.0000E-3;REF2 800.0000E-3;REF3 800.000 0E-3;REF4 800.0000E-3;;:SEARCH:SEARCH1:TRIG:A:LOW:CH1 0.0000;CH2 0.0000;CH3 0.0000;CH4 0.0000;MATH 0. 0000;REF1 0.0000;REF2 0.0000;REF3 0.0000;REF4 0.0000;;:SEARCH:SEARCH1:TRIG:A:EDGE:SOU CH1;SLO RIS;;SE ARCH:SEARCH1:TRIG:A:LOGI:FUNC AND;THR:CH1 0.0000;CH2 0.0000;CH3 0.0000;CH4 0.0000;MATH 0.0000;REF1 0 .0000;REF2 0.0000;REF3 0.0000;REF4 0.0000;;:SEARCH:SEARCH1:TRIG:A:LOGI:INP:CH1 X;CH2 X;CH3 X;CH4 X;MA TH X;REF1 X;REF2 X;REF3 X;REF4 X;CLOC:SOU NONE;EDGE RIS;;:SEARCH:SEARCH1:TRIG:A:LOGI:PAT:INP:CH1 X;CH 2 X;CH3 X;CH4 X;MATH X;REF1 X;REF2 X;REF3 X;REF4 X;;:SEARCH:SEARCH1:TRIG:A:LOGI:PAT:WHE TRU;WHE:LESSL 8.0000E-9;L 8.0000E-9;;:SEARCH:SEARCH1:TRIG:A:PULSEW:SOU CH1;POL POS;WHE LESS;WID 8.0000E-9;;SEA </pre>


```
RCH:SEARCH1:TRIG:A:RUNT:SOU CH1;POL POS;WHE OCCURS;WID
8.0000E-9;:SEARCH:SEARCH1:TRIG:A:TRAN:SOU CH1 ;POL POS;WHE
SLOW;DELT 8.0000E-9;:SEARCH:SEARCH1:TRIG:A:SETH:CLOC:SOU
CH1;EDGE RIS;THR 0.0000;:SEARC H:SEARCH1:TRIG:A:SETH:DAT:SOU
CH2;THR 0.0000;:SEARCH:SEARCH1:TRIG:A:SETH:HOLDT
8.0000E-9;SETT 8.0000 E-9;:SEARCH:SEARCH1:STATE 0
```

SEARCH:SEARCH<x>:COPY (No Query Form)

Copies the search criteria to the trigger, or the trigger criteria to a search. <x> is the search number, which is always 1.

Group Search

Syntax SEARCH:SEARCH<x>:COPY {SEARCHtotrigger|TRIGgertosearch}

Arguments SEARCHtotrigger copies the search criteria to the trigger
TRIGgertosearch copies the trigger criteria to the search

SEARCH:SEARCH<x>:LIST? (Query Only)

This query returns a list of all automatically created search marks on waveforms in the time domain (leaving out any manually created marks). These automatic marks are created using a search command. The entries returned are in the form of an enumeration representing the source waveform, followed by 7 time mark parameters. SEARCH<x> is the search number, which is always 1. To return a list of manual marks, use the query form of [MARK:USERLIST](#).

NOTE. A series of example command sequences showing different searches and triggers is included as an appendix. (See page F-1, Search and Trigger Command Sequence Examples.)

Group Search

Syntax SEARCH:SEARCH<x>:LIST?

Related Commands [MARK:USERLIST](#), [MARK:SAVEALL](#)

Returns The query is returned in the form: (<Enum>,<NR3>,<NR3>,<NR3>,<NR3>,<NR3>,<NR3>,<NR3>) ...
 <Enum> is the source waveform.
 The 7 NR3 time mark parameters returned are as follows:
 Start — start value in percent of record
 End — end value in percent of record
 Focus — focus value in percent of record
 X value — horizontal value of the focus point in the mark's waveform units
 Y value — vertical value of the focus point in the mark's waveform units
 Delta X value — always 0, since there is no time-domain reference mark.
 Delta Y value — always 0, since there is no time-domain reference mark.

Examples SEARCH:SEARCH1:LIST? might return
 CH1,23.6824,23.6824,23.6824,-1.0527E-3,-26.7798,0.0E+0,0.0E+0;CH1,50.0050,
 50.0050,50.0050,200.0200E-9,-25.4704,0.0E+0,0.0E+0;CH1,
 76.3376,76.3376,76.3376,1.0535E-3,0.0E+0,0.0E+0,0.0E+0 which
 indicates three search marks on Channel 1.

SEARCH:SEARCH<x>:STATE

Sets the search state to on or off. <x> is the search number, which is always 1.
 The query form returns the search state.

A series of example command sequences showing different searches and triggers is included as an appendix. (See page F-1, *Search and Trigger Command Sequence Examples*.)

Group Search

Syntax SEARCH:SEARCH<x>:STATE {<NR1>|OFF|ON}
 SEARCH:SEARCH<x>:STATE?

Arguments OFF or <NR1> = 0 sets the search state to off.
 ON or <NR1> ≠ 0 sets the search state to on.

SEARCH:SEARCH<x>:TOTal? (Query Only)

Returns the total number of matches for the search. The total number of matches may be than the number of marks placed. <x> is the search number, which is always 1.

NOTE. *A series of example command sequences showing different searches and triggers is included as an appendix. (See page F-1, Search and Trigger Command Sequence Examples.)*

Group	Search
Syntax	SEARCH:SEARCH<x>:TOTal?
Returns	<NR1> is the total number of matches.

SEARCH:SEARCH<x>:TRIGger:A:BUS? (Query Only)

Queries the SEARCH:SEARCH<x>:TRIGger:A:BUS settings. <x> is the search number, which is always 1. There are four buses, B1 through B4.

To set the search type to bus, use [SEARCH:SEARCH<x>:TRIGger:A:TYPe BUS](#).

NOTE. *Parallel bus commands work with MSO4000B and MDO4000 Series oscilloscopes only.*

Conditions	<ul style="list-style-type: none"> ■ For I²C or SPI buses, install the DPOEMBD application module. ■ For RS-232, RS-422, RS-485, or UART buses, install the DPO4COMP module. ■ For I²S, Left Justified (LJ), Right Justified (RJ), or TDM buses, install the DPO4AUDIO module. ■ For CAN or LIN buses, install the DPO4AUTO or DPO4AUTOMAX module. ■ For FlexRay buses, install the DPO4AUTOMAX module. ■ For Ethernet signals, install the DPO4ENET module. Note that ≥ 350 MHz bandwidth models are recommended for 100BASE-TX. ■ For MIL-STD-1553 buses, install the DPO4AERO module. ■ For USB buses, install the DPO4USB module. Note that 1 GHz bandwidth models are recommended for high-speed (HS) USB.
-------------------	---

A table is available listing the commands enabled by each application module. (See page G-1, *Application Module-enabled Commands*.)

Group	Search
Syntax	SEARCH:SEARCH<x>:TRIGger:A:BUS?
Returns	<p>I2C specifies the Inter-IC bus.</p> <p>SPI specifies the Serial Peripheral Interface bus (not available on two-channel models).</p> <p>CAN specifies the Controller Area Network bus.</p> <p>RS232C specifies the RS-232C bus.</p> <p>PARa11e1 specifies the Parallel bus.</p> <p>USB specifies the USB bus.</p> <p>LIN specifies the LIN bus.</p> <p>FLEXRay specifies the FlexRay bus.</p> <p>AUDiO specifies the audio bus.</p> <p>ETHERnet specifies the Ethernet bus.</p> <p>MIL1553B specifies the MIL-STD-1553 bus.</p>
Examples	<pre>SEARCH:SEARCH1:TRIGGER:A:BUS? might return SEARCH:SEARCH1:TRIGGER:A:BUS:B1:SPI:CONDITION SS;;SEARCH:SEARCH1:TRIGGER:A:BUS:B2:SPI:CONDITION SS;;SEARCH:SEARCH1:TRIGGER:A:BUS:B3:SPI:CONDITION SS;;SEARCH:SEARCH1:TRIGGER:A:BUS:B4:SPI:CONDITION SS;;SEARCH:SEARCH1:TRIGGER:A:BUS:B1:SPI:DATA:MOSI:VALUE "XX".</pre>

SEARCH:SEARCH<x>:TRIGger:A:BUS:B<x>:AUDio:CONDition

This command sets the condition (start of frame or matching data) to be used to search on audio bus data. SEARCH<x> is the search number, which is always 1, and B<x> is the bus number 1-4.

Conditions This command requires a DPO4AUDIO application module.

Group Search

Syntax SEARCH:SEARCH<x>:TRIGger:A:BUS:B<x>:AUDio:CONDition
{SOF|DATA}
SEARCH:SEARCH<x>:TRIGger:A:BUS:B<x>:AUDio:CONDition?

Arguments SOF specifies to search on the start of frame.
DATA specifies to search on matching data.

SEARCH:SEARCH<x>:TRIGger:A:BUS:B<x>:AUDio:DATA:HIVALue

This command sets the upper word value to be used to search on audio bus data. (Use [SEARCH:SEARCH<x>:TRIGger:A:BUS:B<x>:AUDio:DATA:VALue](#) to search on the lower word value.) The search condition must be set to DATA using [SEARCH:SEARCH<x>:TRIGger:A:BUS:B<x>:AUDio:CONDition](#).

SEARCH<x> is the search number, which is always 1, and B<x> is the bus number 1-4.

Conditions This command requires a DPO4AUDIO application module.

Group Search

Syntax SEARCH:SEARCH<x>:TRIGger:A:BUS:B<x>:AUDio:DATA:HIVALue
<String>
SEARCH:SEARCH<x>:TRIGger:A:BUS:B<x>:AUDio:DATA:HIVALue?

Arguments <String> specifies the upper word value.

SEARCH:SEARCH<x>:TRIGger:A:BUS:B<x>:AUDio:DATA:OFFSet

This commands sets the data offset value to be used to search on audio bus data. The search condition must be set to DATA using [SEARCH:SEARCH<x>:TRIGger:A:BUS:B<x>:AUDio:CONDition](#).

SEARCH<x> is the search number, which is always 1, and B<x> is the bus number 1-4.

Conditions This command requires a DPO4AUDIO application module.

Group Search

Syntax SEARCH:SEARCH<x>:TRIGger:A:BUS:B<x>:AUDio:DATA:OFFSet <NR1>
SEARCH:SEARCH<x>:TRIGger:A:BUS:B<x>:AUDio:DATA:OFFSet?

Arguments <NR1> is the data offset value.

SEARCH:SEARCH<x>:TRIGger:A:BUS:B<x>:AUDio:DATA:QUALifier

This command sets the qualifier (<, >, =, <=, >=, not =, in range, out of range) to be used to search on audio bus data. The search condition must be set to DATA using [SEARCH:SEARCH<x>:TRIGger:A:BUS:B<x>:AUDio:CONDition](#).

SEARCH<x> is the search number, which is always 1, and B<x> is the bus number 1-4.

Conditions This command requires a DPO4AUDIO application module.

Group Search

Syntax SEARCH:SEARCH<x>:TRIGger:A:BUS:B<x>:AUDio:DATA:QUALifier
{LESSthan|MOREthan|EQua1|UNEQua1|LESSEQua1|MOREEQua1
|INrange|OUTrange}
SEARCH:SEARCH<x>:TRIGger:A:BUS:B<x>:AUDio:DATA:QUALifier?

Arguments LESSthan sets the qualifier to less than.
MOREthan sets the qualifier to greater than.
EQua1 sets the qualifier to equal.
UNEQua1 sets the qualifier to not equal.
LESSEQua1 sets the qualifier to less than or equal.
MOREEQua1 sets the qualifier to greater than or equal.
INrange sets the qualifier to in range.
OUTrange sets the qualifier to out of range.

SEARCH:SEARCH<x>:TRIGger:A:BUS:B<x>:AUDio:DATA:VALue

This command sets the lower word value to be used to search on audio bus data. (Use [SEARCH:SEARCH<x>:TRIGger:A:BUS:B<x>:AUDio:DATA:HIVALue](#) to set the upper word value.) The search condition must be set to DATA using [SEARCH:SEARCH<x>:TRIGger:A:BUS:B<x>:AUDio:CONDition](#).

SEARCH<x> is the search number, which is always 1, and B<x> is the bus number 1-4.

Conditions	This command requires a DPO4AUDIO application module.
Group	Search
Syntax	SEARCH:SEARCH<x>:TRIGger:A:BUS:B<x>:AUDio:DATA:VALue <String> SEARCH:SEARCH<x>:TRIGger:A:BUS:B<x>:AUDio:DATA:VALue?
Arguments	<String> is the lower word value.

SEARCH:SEARCH<x>:TRIGger:A:BUS:B<x>:AUDio:DATA:WORD

This command sets the alignment of the data (left, right or either) to be used to search on audio bus data. The search condition must be set to DATA using [SEARCH:SEARCH<x>:TRIGger:A:BUS:B<x>:AUDio:CONDition](#).

SEARCH<x> is the search number, which is always 1, and B<x> is the bus number 1-4.

Conditions	This command requires a DPO4AUDIO application module.
Group	Search
Syntax	SEARCH:SEARCH<x>:TRIGger:A:BUS:B<x>:AUDio:DATA:WORD {EITHer LEFt RIGht} SEARCH:SEARCH<x>:TRIGger:A:BUS:B<x>:AUDio:DATA:WORD?
Arguments	EITHer aligns the data to either left or right. LEFt aligns the data to the left. RIGht aligns the data to the right.

SEARCH:SEARCH<x>:TRIGger:A:BUS:B<x>:CAN:CONDition

This command sets the condition (start of frame, frame type, identifier, matching data, EOF, missing ACK field, bit-stuffing error) to be used to search on CAN

bus data. `SEARCH<x>` is the search number, which is always 1, and `B<x>` is the bus number 1-4.

Conditions	This command requires a DPO4AUTO application module.
Group	Search
Syntax	<code>SEARCH:SEARCH<x>:TRIGger:A:BUS:B<x>:CAN:CONDition</code> <code>{SOF FRAMEtype IDentifier DATA IDANDDATA EOF ACKMISS:ERROR}</code> <code>SEARCH:SEARCH<x>:TRIGger:A:BUS:B<x>:CAN:CONDition?</code>
Arguments	<p><code>SOF</code> specifies a search based on the start of frame.</p> <p><code>FRAMEtype</code> specifies a search based on the frame type.</p> <p><code>IDentifier</code> specifies a search based on the frame identifier.</p> <p><code>DATA</code> specifies a search based on the frame data.</p> <p><code>IDANDDATA</code> specifies a search based on the frame identifier and data.</p> <p><code>EOF</code> specifies a search based on the end of frame.</p> <p><code>ACKMISS</code> specifies a search based on the missing ACK field.</p> <p><code>ERROR</code> specifies a search based on a bit stuffing error.</p>

SEARCH:SEARCH<x>:TRIGger:A:BUS:B<x>:CAN:DATA:DIRection

This command sets the data direction (read, write or nocare) to be used to search on CAN bus data. This only applies if the search condition has been set to `IDentifier` (using `SEARCH:SEARCH<x>:TRIGger:A:BUS:B<x>:CAN:CONDition`).

`SEARCH<x>` is the search number, which is always 1, and `B<x>` is the bus number 1-4.

Conditions	This command requires a DPO4AUTO application module.
Group	Search
Syntax	<code>SEARCH:SEARCH<x>:TRIGger:A:BUS:B<x>:CAN:DATA:DIRection</code> <code>{READ WRITE NOCARE}</code> <code>SEARCH:SEARCH<x>:TRIGger:A:BUS:B<x>:CAN:DATA:DIRection?</code>

Related Commands [SEARCH:SEARCH<x>:TRIGger:A:BUS:B<x>:CAN:CONDition](#)

Arguments READ specifies the read direction.
 WRITE specifies the write direction.
 NOCARE specifies either a read or write direction.

SEARCH:SEARCH<x>:TRIGger:A:BUS:B<x>:CAN:DATA:QUALifier

This command sets the qualifier (<, >, =, not =, <=) to be used to search on CAN bus data. This only applies if the search condition has been set to IDANDDATA or DATA (using [SEARCH:SEARCH<x>:TRIGger:A:BUS:B<x>:CAN:CONDition](#)).

SEARCH<x> is the search number, which is always 1, and B<x> is the bus number 1-4.

Conditions This command requires a DPO4AUTO application module.

Group Search

Syntax SEARCH:SEARCH<x>:TRIGger:A:BUS:B<x>:CAN:DATA:QUALifier
 {LESSthan|MOREthan|EQual|UNEQual|LESSEQual|EQual}
 SEARCH:SEARCH<x>:TRIGger:A:BUS:B<x>:CAN:DATA:QUALifier?

Related Commands [SEARCH:SEARCH<x>:TRIGger:A:BUS:B<x>:CAN:DATA:VALue](#)

Arguments LESSthan searches for bus data less than the value specified by [SEARCH:SEARCH<x>:TRIGger:A:BUS:B<x>:CAN:DATA:VALue](#).
 MOREthan searches for bus data greater than the value specified by [SEARCH:SEARCH<x>:TRIGger:A:BUS:B<x>:CAN:DATA:VALue](#).
 EQual searches for bus data equal to the value specified by [SEARCH:SEARCH<x>:TRIGger:A:BUS:B<x>:CAN:DATA:VALue](#).
 UNEQual searches for bus data not equal to the value specified by [SEARCH:SEARCH<x>:TRIGger:A:BUS:B<x>:CAN:DATA:VALue](#).
 LESSEQual searches for bus data less equal to the value specified by [SEARCH:SEARCH<x>:TRIGger:A:BUS:B<x>:CAN:DATA:VALue](#).
 EQual searches for bus data equal to the value specified by [SEARCH:SEARCH<x>:TRIGger:A:BUS:B<x>:CAN:DATA:VALue](#).

SEARCH:SEARCH<x>:TRIGger:A:BUS:B<x>:CAN:DATA:SIZE

This command sets the length of the data string, in bytes, to be used to search on CAN bus data. This only applies if the search condition has been set to IDANDDATA or DATA (using [SEARCH:SEARCH<x>:TRIGger:A:BUS:B<x>:CAN:CONDition](#)).

SEARCH<x> is the search number, which is always 1, and B<x> is the bus number 1-4.

Conditions This command requires a DPO4AUTO application module.

Group Search

Syntax SEARCH:SEARCH<x>:TRIGger:A:BUS:B<x>:CAN:DATA:SIZE <NR1>
SEARCH:SEARCH<x>:TRIGger:A:BUS:B<x>:CAN:DATA:SIZE?

Arguments <NR1> is the data string length in bytes.

SEARCH:SEARCH<x>:TRIGger:A:BUS:B<x>:CAN:DATA:VALue

This command sets the binary data value to be used to search on CAN bus data. This only applies if the search condition has been set to IDANDDATA or DATA (using [SEARCH:SEARCH<x>:TRIGger:A:BUS:B<x>:CAN:CONDition](#)).

SEARCH<x> is the search number, which is always 1, and B<x> is the bus number 1-4.

Conditions This command requires a DPO4AUTO application module.

Group Search

Syntax SEARCH:SEARCH<x>:TRIGger:A:BUS:B<x>:CAN:DATA:VALue <bin>
SEARCH:SEARCH<x>:TRIGger:A:BUS:B<x>:CAN:DATA:VALue?

Related Commands [SEARCH:SEARCH<x>:TRIGger:A:BUS:B<x>:CAN:DATA:QUALifier](#)

Arguments <bin> is the data in binary format.

SEARCH:SEARCH<x>:TRIGger:A:BUS:B<x>:CAN:FRAMEtype

This command sets the frame type (data, remote, error or overload) to be used to search on CAN bus data. This only applies if the search condition has been set to FRAMEtype (using [SEARCH:SEARCH<x>:TRIGger:A:BUS:B<x>:CAN:CONDition](#)).

SEARCH<x> is the search number, which is always 1, and B<x> is the bus number 1-4.

Conditions This command requires a DPO4AUTO application module.

Group Search

Syntax SEARCH:SEARCH<x>:TRIGger:A:BUS:B<x>:CAN:FRAMEtype
{DATA|REMOte|ERRor|OVERLoad}
SEARCH:SEARCH<x>:TRIGger:A:BUS:B<x>:CAN:FRAMEtype?

Arguments DATA specifies a data frame.
REMOte specifies a remote frame.
ERRor specifies an error frame.
OVERLoad specifies an overload frame.

SEARCH:SEARCH<x>:TRIGger:A:BUS:B<x>:CAN{:IDentifier|:ADDRESS}:MODE

This command sets the addressing mode (standard or extended format) to be used to search on CAN bus data. This only applies if the search condition has been set to IDANDDATA or DATA (using [SEARCH:SEARCH<x>:TRIGger:A:BUS:B<x>:CAN:CONDition](#)).

SEARCH<x> is the search number, which is always 1, and B<x> is the bus number 1-4.

Conditions This command requires a DPO4AUTO application module.

Group Search

Syntax SEARCH:SEARCH<x>:TRIGger:A:BUS:B<x>:CAN{:IDentifier|:
ADDRESS}:MODE {STandard|EXTended}
SEARCH:SEARCH<x>:TRIGger:A:BUS:B<x>:CAN{:IDentifier|:
ADDRESS}:MODE?

Arguments STandard specifies an 11-bit identifier field.
 EXTENDED specifies a 29-bit identifier field.

SEARCH:SEARCH<x>:TRIGger:A:BUS:B<x>:CAN{:IDentifier|:ADDResS}:VALue

This command sets the binary address value to be used to search on CAN bus data. This only applies if the search condition has been set to IDANDDATA or DATA (using [SEARCH:SEARCH<x>:TRIGger:A:BUS:B<x>:CAN:CONDition](#)).

SEARCH<x> is the search number, which is always 1, and B<x> is the bus number 1-4.

Conditions This command requires a DPO4AUTO application module.

Group Search

Syntax SEARCH:SEARCH<x>:TRIGger:A:BUS:B<x>:CAN{:IDentifier|:
 ADDRess}:VALue <bin>
 SEARCH:SEARCH<x>:TRIGger:A:BUS:B<x>:CAN{:IDentifier|:
 ADDRess}:VALue?

Arguments <bin> is the address in binary format.

SEARCH:SEARCH<x>:TRIGger:A:BUS:B<x>:ETHERnet:CONDition

When searching through Ethernet data, this command specifies the field or condition to search for. SEARCH<x> is the search number, which is always 1, and B<x> is the bus number.

Conditions This command requires a DPO4ENET application module.

Group Search

Syntax SEARCH:SEARCH<x>:TRIGger:A:BUS:B<x>:
 ETHERnet:CONDition {SFD|MACADDRess|MACLEnGth|
 IPHeader|TCPHeader|DATA|EOP|IDLe|FCSError|QTAG}
 SEARCH:SEARCH<x>:TRIGger:A:BUS:B<x>:ETHERnet:CONDition?

Related Commands Most of the other `SEARCH:SEARCH<x>:TRIGger:A:BUS:B<x>:ETHERnet` commands are impacted by the setting of this command.

[TRIGger:A:BUS:B<x>:ETHERnet:CONDition](#)

[BUS:B<x>:ETHERnet:PROTOcol](#)

Arguments

`SFD` — Start of frame delimiter field.

`MACADDRESS` — MAC addresses field.

`MACLENGTH` — MAC length/type field.

`IPHeader` — IP header field. This argument is only available when `PROTOCOL` is set to IPv4 (using the command [BUS:B<x>:ETHERnet:PROTOcol](#)).

`TCPHeader` — TCP header field. This argument is only available when `PROTOCOL` is set to IPv4 (using the command [BUS:B<x>:ETHERnet:PROTOcol](#)).

`DATA` — TCP/IPv4 or MAC protocol client data field. Use the command [BUS:B<x>:ETHERnet:PROTOcol](#) to specify either TCP/IPv4 or OTHER protocol. If the protocol is set to OTHER, `DATA` refers to the MAC client data.

`EOP` — End of Packet field.

`IDLE` — Idle field.

`FCSError` — Frame Check Sequence Error (CRC) field.

`QTAG` — IEEE 802.1Q (VLAN) control information field. In order to use `QTAG` as a search condition, the frame type must be set to `QTAG` (using [TRIGger:A:BUS:B<x>:ETHERnet:FRAMETYPE](#)).

Examples `SEARCH:SEARCH1:TRIGger:A:BUS:B1:ETHERnet:CONDition`
`MACADDRESS` sets the condition to search for to `MACADDRESS`.

SEARCH:SEARCH<x>:TRIGger:A:BUS:B<x>:ETHERnet:DATA:HIVALue

When the search condition is set to `DATA`, and the qualifier is set to either `INrange` or `OUTrange`, this command specifies the upper data value of the range. (Use the command [SEARCH:SEARCH<x>:TRIGger:A:BUS:B<x>:ETHERnet:DATA:VALue](#) to specify the lower data value of the range.) The default is all X's (don't care). `SEARCH<x>` is the search number, which is always 1, and `B<x>` is the bus number.

Conditions This command requires a DPO4ENET application module.

[SEARCH:SEARCH<x>:TRIGger:A:BUS:B<x>:ETHERnet:DATA:VALue](#)

Arguments NR1 is an integer. The minimum and default values are -1 (don't care) and the maximum is 1,499.

Examples SEARCH:SEARCH1:TRIGger:A:BUS:B1:ETHERnet:DATA:OFFSet 36 sets the data offset to 36 bytes.

SEARCH:SEARCH1:TRIGger:A:BUS:B1:ETHERnet:DATA:OFFSet? might return -1, indicating that the data offset value is the default value, -1, meaning “don't care”.

SEARCH:SEARCH<x>:TRIGger:A:BUS:B<x>:ETHERnet:DATA:SIZE

When the search condition is set to DATA, this command specifies the number of contiguous TCP/IPv4/MAC client data bytes to search for. SEARCH<x> is the search number, which is always 1, and B<x> is the bus number 1-4.

Conditions This command requires a DPO4ENET application module.

Group Search

Syntax SEARCH:SEARCH<x>:TRIGger:A:BUS:B<x>:ETHERnet:DATA:SIZE <NR1>
SEARCH:SEARCH<x>:TRIGger:A:BUS:B<x>:ETHERnet:DATA:SIZE?

Related Commands [SEARCH:SEARCH<x>:TRIGger:A:BUS:B<x>:ETHERnet:CONDition](#)
[SEARCH:SEARCH<x>:TRIGger:A:BUS:B<x>:ETHERnet:QUALifier](#)
[SEARCH:SEARCH<x>:TRIGger:A:BUS:B<x>:ETHERnet:DATA:VALue](#)

Arguments NR1 is an integer. The minimum and default values are 1 and maximum is 16, except when the qualifier is set to either INrange or OUTrange. In these cases, the maximum size is 4.

Examples SEARCH:SEARCH1:TRIGger:A:BUS:B1:ETHERnet:DATA:SIZE “4” sets the oscilloscope to search for 4 contiguous data bytes.

SEARCH:SEARCH<x>:TRIGger:A:BUS:B<x>:ETHERnet:DATA:VALue

When the search condition is set to DATA, and the qualifier is set to LESSthan, MOREthan, EQUAL, UNEQUAL, LESSEQUAL or MOREEQUAL, this command specifies the value to search for. When the search condition is set to DATA, and the qualifier is set to INrange or OUTrange, this command specifies the lower limit of the range. (Use the command [SEARCH:SEARCH<x>:TRIGger:A:BUS:B<x>:ETHERnet:DATA:HIVALue](#) to specify the upper limit of the range.) The default is all X's (don't care). SEARCH<x> is the search number, which is always 1, and B<x> is the bus number 1-4.

Conditions This command requires a DPO4ENET application module.

Group Search

Syntax SEARCH:SEARCH<x>:TRIGger:A:BUS:B<x>:ETHERnet:DATA:VALue
<QString>
SEARCH:SEARCH<x>:TRIGger:A:BUS:B<x>:ETHERnet:DATA:VALue?

Related Commands [SEARCH:SEARCH<x>:TRIGger:A:BUS:B<x>:ETHERnet:CONDition](#)
[SEARCH:SEARCH<x>:TRIGger:A:BUS:B<x>:ETHERnet:QUALifier](#)
[SEARCH:SEARCH<x>:TRIGger:A:BUS:B<x>:ETHERnet:DATA:OFFSet](#)
[SEARCH:SEARCH<x>:TRIGger:A:BUS:B<x>:ETHERnet:DATA:SIZE](#)
[SEARCH:SEARCH<x>:TRIGger:A:BUS:B<x>:ETHERnet:DATA:HIVALue](#)

Arguments QString is a quoted string where the allowable characters are 0, 1, and X. The allowable number of characters depends on the setting for size. (Use the command [SEARCH:SEARCH<x>:TRIGger:A:BUS:B<x>:ETHERnet:DATA:SIZE](#) to specify size.) The bits specified in the quoted string replace the least significant bits, leaving any unspecified upper bits unchanged.

Examples SEARCH:SEARCH1:TRIGger:A:BUS:B1:ETHERnet:DATA:VALue
"00001000" sets the binary data to search on to 00001000, assuming the qualifier is set to LESSthan, MOREthan, EQUAL, UNEQUAL, LESSEQUAL or MOREEQUAL, and DATA:SIZE is set to 1 byte

SEARCH:SEARCH1:TRIGger:A:BUS:B1:ETHERnet:DATA:VALue
"00001000" sets the lower limit of the range to 00001000, assuming the qualifier is set to INrange or OUTrange, and DATA:SIZE is set to 1 byte.

SEARCH:SEARCH<x>:TRIGger:A:BUS:B<x>:ETHERnet:FRAMETYPe

This command specifies which Ethernet frame type to search for: either Basic or QTAG (IEEE 802.1Q, or VLAN tagging). The default is Basic. SEARCH<x> is the search number, which is always 1, and B<x> is the bus number 1-4.

NOTE. Once this command is used to specify QTAG, then the command *TRIGger:A:BUS:B<x>:ETHERnet:CONDition* can be used to specify QTAG as the condition to search on.

Conditions This command requires a DPO4ENET application module.

Group Search

Syntax SEARCH:SEARCH<x>:TRIGger:A:BUS:B<x>:ETHERnet:FRAMETYPe
{BASiC|QTAG}
SEARCH:SEARCH<x>:TRIGger:A:BUS:B<x>:ETHERnet:FRAMETYPe?

Related Commands [SEARCH:SEARCH<x>:TRIGger:A:BUS:B<x>:ETHERnet:CONDition](#)

Arguments BASiC is the standard Ethernet frame.
QTAG is the Q-Tag Ethernet frame (also called VLAN tagging.)

Examples SEARCH:SEARCH1:TRIGger:A:BUS:B1:ETHERnet:FRAMETYPe QTAG sets the frame type to QTag (VLAN tagging).
SEARCH:SEARCH1:TRIGger:A:BUS:B1:ETHERnet:FRAMETYPe? might return BASIC, indicating the frame type is a standard Ethernet frame.

SEARCH:SEARCH<x>:TRIGger:A:BUS:B<x>:ETHERnet:IPHeader:PROTOcol:VALue

When the Ethernet search condition is set to IPHeader, this command specifies the value of the 8-bit protocol field that is to be used in the search (along with the source and destination addresses). The default is all X's (don't care). SEARCH<x> is the search number, which is always 1, and B<x> is the bus number 1-4.

NOTE. Commonly used protocol values are 1 (ICMP), 2 (IGMP), 6 (TCP) and 17 (UDP).

Conditions This command requires a DPO4ENET application module.

Group	Search
Syntax	SEARCH:SEARCH<x>:TRIGger:A:BUS:B<x>:ETHERnet:IPHeader: PROTOcol:VALue <QString> SEARCH:SEARCH<x>:TRIGger:A:BUS:B<x>:ETHERnet:IPHeader: PROTOcol:VALue?
Related Commands	SEARCH:SEARCH<x>:TRIGger:A:BUS:B<x>:ETHERnet:CONDition SEARCH:SEARCH<x>:TRIGger:A:BUS:B<x>:ETHERnet:IPHeader: SOUrceaddr:VALue SEARCH:SEARCH<x>:TRIGger:A:BUS:B<x>:ETHERnet:IPHeader: DESTinationaddr:VALue
Arguments	QString is a quoted string of up to 8 characters where the allowable characters are 0, 1, and X. The bits specified in the quoted string replace the least significant bits, leaving any unspecified upper bits unchanged.
Examples	SEARCH:SEARCH1:TRIGGER:A:BUS:B1:ETHERNET:IPHEADER: PROTOCOL:VALUE "01010010" would set the value to be used in the search to 01010010. SEARCH:SEARCH1:TRIGger:A:BUS:B1:ETHERnet:IPHeader: PROTOcol:VALue? might return "XXXXXXXX".

SEARCH:SEARCH<x>:TRIGger:A:BUS:B<x>:ETHERnet:IPHeader:SOUrceaddr:VALue

When the Ethernet search condition is set to **IPHeader**, this command specifies the value of the 32-bit source address that will be used in the search (along with the protocol and destination address). The IP source address is a standard IP address such as 192.168.0.1. The default is all X's (don't care). **SEARCH<x>** is the search number, which is always 1, and **B<x>** is the bus number 1-4.

Conditions This command requires a DPO4ENET application module.

Group Search

Syntax SEARCH:SEARCH<x>:TRIGger:A:BUS:B<x>:ETHERnet:IPHeader:
SOUrceaddr:VALue <QString>

SEARCH:SEARCH<x>:TRIGger:A:BUS:B<x>:ETHERnet:IPHeader:
SOUrceaddr:VALue?

Related Commands [SEARCH:SEARCH<x>:TRIGger:A:BUS:B<x>:ETHERnet:CONDition](#)
[SEARCH:SEARCH<x>:TRIGger:A:BUS:B<x>:ETHERnet:IPHeader:PROTOcol:VALue](#)
[SEARCH:SEARCH<x>:TRIGger:A:BUS:B<x>:ETHERnet:IPHeader:DESTinationaddr:VALue](#)

Arguments QString is a quoted string of up to 32 characters where the allowable characters are 0, 1, and X. The bits specified in the quoted string replace the least significant bits, leaving any unspecified upper bits unchanged.

Examples TRIGger:A:BUS:B1:ETHERnet:IPHeader:SOURceaddr:VALue
 "00011001001000010110100000000001" sets the IP source address to search for to 192.168.0.1.
 TRIGger:A:BUS:B1:ETHERnet:IPHeader:SOURceaddr:VALue might return "XXXXXXXXXXXXXXXXXXXXXXXXXXXXXXXXXXXX01".

SEARCH:SEARCH<x>:TRIGger:A:BUS:B<x>:ETHERnet:IPHeader:DESTinationaddr:VALue

When the Ethernet search condition is set to **IPHeader**, this command specifies the value of the 32-bit destination address that is to be used in the search (along with the protocol and source address). The IP destination address is a standard IP address such as 192.168.0.1. The default is all X's (don't care). **SEARCH<x>** is the search number, which is always 1, and **B<x>** is the bus number 1-4.

Conditions This command requires a DPO4ENET application module.

Group Search

Syntax SEARCH:SEARCH<x>:TRIGger:A:BUS:B<x>:ETHERnet:IPHeader:DESTinationaddr:VALue <QString>
 SEARCH:SEARCH<x>:TRIGger:A:BUS:B<x>:ETHERnet:IPHeader:DESTinationaddr:VALue?

Related Commands [SEARCH:SEARCH<x>:TRIGger:A:BUS:B<x>:ETHERnet:CONDition](#)
[SEARCH:SEARCH<x>:TRIGger:A:BUS:B<x>:ETHERnet:IPHeader:PROTOcol:VALue](#)

`SEARCH:SEARCH<x>:TRIGger:A:BUS:B<x>:ETHERnet:IPHeader:SOURCEaddr:VALue`

Arguments QString is a quoted string of up to 32 characters where the allowable characters are 0, 1, and X. The bits specified in the quoted string replace the least significant bits, leaving any unspecified upper bits unchanged.

Examples `SEARCH:SEARCH1:TRIGger:A:BUS:B1:ETHERnet:IPHeader:DESTINATIONaddr:VALue "00011001001000010110100000000001"` sets the IP destination address to search for to 192.168.0.1.

`SEARCH:SEARCH1:TRIGger:A:BUS:B1:ETHERnet:IPHeader:DESTINATIONaddr:VALue` might return "XXXXXXXXXXXXXXXXXXXXXXXXXXXXXXXXXXXX01".

SEARCH:SEARCH<x>:TRIGger:A:BUS:B<x>:ETHERnet:MAC:ADDRESS:SOURCE:VALue

When the Ethernet search condition is set to `MACADDRESS`, this command specifies the 48-bit MAC source address value that is to be used in the search (along with the destination address value). The default is all X's (don't care). `SEARCH<x>` is the search number, which is always 1, and `B<x>` is the bus number 1-4.

Conditions This command requires a DPO4ENET application module.

Group Search

Syntax `SEARCH:SEARCH<x>:TRIGger:A:BUS:B<x>:ETHERnet:MAC:ADDRESS:SOURCE:VALue <QString>`

`SEARCH:SEARCH<x>:TRIGger:A:BUS:B<x>:ETHERnet:MAC:ADDRESS:SOURCE:VALue?`

Related Commands `SEARCH:SEARCH<x>:TRIGger:A:BUS:B<x>:ETHERnet:CONDition`
`SEARCH:SEARCH<x>:TRIGger:A:BUS:B<x>:ETHERnet:MAC:ADDRESS:DESTINATION:VALue`

Arguments QString is a quoted string of up to 48 characters where the allowable characters are 0, 1, and X. The bits specified in the quoted string replace the least significant bits, leaving any unspecified upper bits unchanged.

Examples `SEARCH:SEARCH1:TRIGger:A:BUS:B1:ETHERnet:MAC:ADDRESS:SOURCE:VALUE`
`"XXXXXXXXXX01010111111000000011110101010101000"` would set the MAC destination address to search for to `XX:35:FC:07:AA:C8` hex.

`SEARCH:SEARCH1:TRIGger:A:BUS:B1:ETHERnet:MAC:ADDRESS:SOURCE:VALUE?` might return
`"XXXXXXXXXX01010111111000000011110101010101000"`.

SEARCH:SEARCH<x>:TRIGger:A:BUS:B<x>:ETHERnet:MAC:ADDRESS:DESTination:VALue

When the Ethernet search condition is set to `MACADDRESS`, this command specifies the 48-bit MAC destination address value that is to be used in the search (along with the source address value). The default is all X's (don't care). `SEARCH<x>` is the search number, which is always 1, and `B<x>` is the bus number 1-4.

NOTE. *MAC Addresses are 48-bit values such as 08:00:11:1E:C9:AE hex. Use the command `BUS:B<x>:DISplay:FORMat` to change the display format to hex.*

Conditions This command requires a DPO4ENET application module.

Group Search

Syntax `SEARCH:SEARCH<x>:TRIGger:A:BUS:B<x>:ETHERnet:MAC:ADDRESS:DESTination:VALue <QString>`

`SEARCH:SEARCH<x>:TRIGger:A:BUS:B<x>:ETHERnet:MAC:ADDRESS:DESTination:VALue?`

Related Commands [SEARCH:SEARCH<x>:TRIGger:A:BUS:B<x>:ETHERnet:CONDition](#)

[SEARCH:SEARCH<x>:TRIGger:A:BUS:B<x>:ETHERnet:MAC:ADDRESS:SOURCE:VALue](#)

Arguments `QString` is a quoted string of up to 48 characters where the allowable characters are 0, 1, and X. The bits specified in the quoted string replace the least significant bits, leaving any unspecified upper bits unchanged.

Examples SEARCH:SEARCH1:TRIGger:A:BUS:B1:ETHERnet:MAC:ADDRESS:DESTination:VALue
 "XXXXXXXXXX01010111111000000011110101010101000" would set the MAC destination address to search for to XX:35:FC:07:AA:C8 hex.

SEARCH:SEARCH1:TRIGger:A:BUS:B1:ETHERnet:MAC:ADDRESS:DESTination:VALue? might return "XXXXXXXXXX01010111111000001111010101010101000".

SEARCH:SEARCH<x>:TRIGger:A:BUS:B<x>:ETHERnet:MAC{:LENGth|:TYPE}:VALue

When the Ethernet search condition is set to MACLENGth, and the qualifier is set to LESSthan, MOREthan, EQUal, UNEQUal, LESSEQUal or MOREEQUal, this command specifies the 16-bit value to search for. When the qualifier is set to INrange or OUTrange, this command specifies the lower limit of the range. (Use the command SEARCH:SEARCH<x>:TRIGger:A:BUS:B<x>:ETHERnet:MAC{:LENGth|:TYPE}:HIVALue to set the upper limit of the range.) The default is all X's (don't care). SEARCH<x> is the search number, which is always 1, and B<x> is the bus number 1-4.

Conditions This command requires a DPO4ENET application module.

Group Search

Syntax SEARCH:SEARCH<x>:TRIGger:A:BUS:B<x>:ETHERnet:MAC{:LENGth|:TYPE}:VALue <QString>

SEARCH:SEARCH<x>:TRIGger:A:BUS:B<x>:ETHERnet:MAC{:LENGth|:TYPE}:VALue?

Related Commands [SEARCH:SEARCH<x>:TRIGger:A:BUS:B<x>:ETHERnet:CONDition](#)
[SEARCH:SEARCH<x>:TRIGger:A:BUS:B<x>:ETHERnet:MAC{:LENGth|:TYPE}:HIVALue](#)

Arguments QString is a quoted string of up to 16 characters where the allowable characters are 0, 1, and X. The bits specified in the quoted string replace the least significant bits, leaving any unspecified upper bits unchanged.

Examples SEARCH:SEARCH1:TRIGger:A:BUS:B1:ETHERnet:MAC{:LENGth|:TYPE}:VALue "XXXXXXXX00001000" sets the MAC length/type value

to search on to the hexadecimal value XX08, assuming the qualifier is set to LESSthan, MOREthan, EQUAL, UNEQUAL, LESSEQUAL or MOREEQUAL.

SEARCH:SEARCH1:TRIGGER:A:BUS:B1:ETHERnet:MAC{:LENGTH| :TYPE}:VALUE "XXXXXXXX00001000" sets the lower limit of the range to the hexadecimal value XX08, assuming the qualifier is set to INrange or OUTrange.

SEARCH:SEARCH<x>:TRIGGER:A:BUS:B<x>:ETHERnet:MAC{:LENGTH|:TYPE}:HIVALue

When the Ethernet search condition is set to MACLENGTH, and the qualifier is set to either INrange or OUTrange, this command specifies the upper data value of this range. (Use the command SEARCH:SEARCH<x>:TRIGGER:A:BUS:B<x>:ETHERnet:MAC{:LENGTH|:TYPE}:VALUE to set the lower limit of the range.) The default is all X's (don't care). SEARCH<x> is the search number, which is always 1, and B<x> is the bus number 1-4.

Conditions	This command requires a DPO4ENET application module.
Group	Search
Syntax	SEARCH:SEARCH<x>:TRIGGER:A:BUS:B<x>:ETHERnet:MAC{:LENGTH :TYPE}:HIVALue <QString> SEARCH:SEARCH<x>:TRIGGER:A:BUS:B<x>:ETHERnet:MAC{:LENGTH :TYPE}:HIVALue?
Related Commands	SEARCH:SEARCH<x>:TRIGGER:A:BUS:B<x>:ETHERnet:CONDITION SEARCH:SEARCH<x>:TRIGGER:A:BUS:B<x>:ETHERnet:MAC{:LENGTH :TYPE}:VALUE SEARCH:SEARCH<x>:TRIGGER:A:BUS:B<x>:ETHERnet:QUALifier
Arguments	QString is a quoted string of up to 16 characters where the allowable characters are 0, 1, and X. The bits specified in the quoted string replace the least significant bits, leaving any unspecified upper bits unchanged.
Examples	SEARCH:SEARCH1:TRIGGER:A:BUS:B1:ETHERnet:MAC{:LENGTH :TYPE}:HIVALue "XXXXXXXX00001000" sets the upper limit of the range to the hexadecimal value XX08 (when the search condition is set to MACLENGTH, and the qualifier is set to INrange or OUTrange).

SEARCH:SEARCH1:TRIGGER:A:BUS:B1:ETHERNET:MAC{:LENGTH|:TYPE}:HIVALUE? might return "XXXXXXXXX00001000".

SEARCH:SEARCH<x>:TRIGger:A:BUS:B<x>:ETHERnet:QTAG:VALue

When the Ethernet search condition is set to QTAG, this command specifies the 32-bit QTAG value to search for. The default is all X's (don't care). SEARCH<x> is the search number, which is always 1, and B<x> is the bus number 1-4.

Conditions This command requires a DPO4ENET application module.

Group Search

Syntax SEARCH:SEARCH<x>:TRIGger:A:BUS:B<x>:ETHERnet:QTAG:VALue
<QString>
SEARCH:SEARCH<x>:TRIGger:A:BUS:B<x>:ETHERnet:QTAG:VALue?

Related Commands [SEARCH:SEARCH<x>:TRIGger:A:BUS:B<x>:ETHERnet:CONDition](#)

Arguments QString is a quoted string of up to 32 characters where the allowable characters are 0, 1, and X. The bits specified in the quoted string replace the least significant bits, leaving any unspecified upper bits unchanged.

Examples SEARCH:SEARCH1:TRIGGER:A:BUS:B1:ETHERNET:QTAG:VALUE
"XXXXXXXXXXXXXXXXXXXXXXXXX010010001010" would specify to search for the Q-Tag value of hexadecimal XXXXX48A.

SEARCH:SEARCH1:TRIGGER:A:BUS:B1:ETHERNET:QTAG:VALUE? might return "XXXXXXXXXXXXXXXXXXXXXXXXX010010001010".

SEARCH:SEARCH<x>:TRIGger:A:BUS:B<x>:ETHERnet:QUALifier

This command specifies the qualifier to be used when the Ethernet search condition is set to MACLENgth or DATA. Normally, the Ethernet qualifier is set to "Equal to". SEARCH<x> is the search number, which is always 1, and B<x> is the bus number 1-4.

Conditions This command requires a DPO4ENET application module.

Group Search

Syntax SEARCH:SEARCH<x>:TRIGger:A:BUS:B<x>:ETHERnet:QUALifier
 {LESSthan|MOREthan|EQual|UNEQual|LESSEQual|MOREEQual
 |INrange|OUTrange}
 SEARCH:SEARCH<x>:TRIGger:A:BUS:B<x>:ETHERnet:QUALifier?

Related Commands SEARCH:SEARCH<x>:TRIGger:A:BUS:B<x>:ETHERnet:CONDition
 SEARCH:SEARCH<x>:TRIGger:A:BUS:B<x>:ETHERnet:MAC{;LENGth|
 TYPE};HIVALue
 SEARCH:SEARCH<x>:TRIGger:A:BUS:B<x>:ETHERnet:DATA:HIVALue

Examples SEARCH:SEARCH1:TRIGger:A:BUS:B1:ETHERnet:QUALifier LESSthan
 sets the MACLENGth or DATA qualifier to less than.

SEARCH:SEARCH<x>:TRIGger:A:BUS:B<x>:ETHERnet:TCPHeader:ACKnum:VALue

When the Ethernet search condition is set to TCPHeader, this command specifies the 32-bit acknowledgement value that is to be used in the search (along with the destination and source port addresses and the sequence number). The default is all X's (don't care). SEARCH<x> is the search number, which is always 1, and B<x> is the bus number 1-4.

Conditions This command requires a DPO4ENET application module.

Group Search

Syntax SEARCH:SEARCH<x>:TRIGger:A:BUS:B<x>:ETHERnet:TCPHeader:
 ACKnum:VALue <QString>
 SEARCH:SEARCH<x>:TRIGger:A:BUS:B<x>:ETHERnet:TCPHeader:
 ACKnum:VALue?

Related Commands SEARCH:SEARCH<x>:TRIGger:A:BUS:B<x>:ETHERnet:CONDition
 SEARCH:SEARCH<x>:TRIGger:A:BUS:B<x>:ETHERnet:TCPHeader:
 DESTinationport:VALue
 SEARCH:SEARCH<x>:TRIGger:A:BUS:B<x>:ETHERnet:TCPHeader:
 SOURceport:VALue
 SEARCH:SEARCH<x>:TRIGger:A:BUS:B<x>:ETHERnet:TCPHeader:
 SEQnum:VALue

Arguments QString is a quoted string of up to 32 characters where the allowable characters are 0, 1, and X. The bits specified in the quoted string replace the least significant bits, leaving any unspecified upper bits unchanged.

Examples SEARCH:SEARCH1:TRIGger:A:BUS:B1:ETHERnet:TCPHeader:ACKnum:VALue "XXXXXXXXXXXXXXXXXXXX00001000" sets the acknowledgement number to be used in the search to hexadecimal XXXXXX08.

SEARCH:SEARCH<x>:TRIGger:A:BUS:B<x>:ETHERnet:TCPHeader:SEQnum:VALue

When the Ethernet search condition is set to TCPHEADER, this command specifies the 32-bit sequence number that is to be used in the search (along with the destination and source port addresses and the acknowledgement value). The default is all X's (don't care). SEARCH<x> is the search number, which is always 1, and B<x> is the bus number 1-4.

Conditions This command requires a DPO4ENET application module.

Group Search

Syntax SEARCH:SEARCH<x>:TRIGger:A:BUS:B<x>:ETHERnet:TCPHeader:SEQnum:VALue <QString>
SEARCH:SEARCH<x>:TRIGger:A:BUS:B<x>:ETHERnet:TCPHeader:SEQnum:VALue?

Related Commands [SEARCH:SEARCH<x>:TRIGger:A:BUS:B<x>:ETHERnet:CONDition](#)
[SEARCH:SEARCH<x>:TRIGger:A:BUS:B<x>:ETHERnet:TCPHeader:ACKnum:VALue](#)
[SEARCH:SEARCH<x>:TRIGger:A:BUS:B<x>:ETHERnet:TCPHeader:DESTinationport:VALue](#)
[SEARCH:SEARCH<x>:TRIGger:A:BUS:B<x>:ETHERnet:TCPHeader:SOUrceport:VALue](#)

Arguments QString is a quoted string of up to 32 characters where the allowable characters are 0, 1, and X. The bits specified in the quoted string replace the least significant bits, leaving any unspecified upper bits unchanged.

Examples SEARCH:SEARCH1:TRIGger:A:BUS:B1:ETHERnet:TCPHeader:SEQnum:VALue
 "XXXXXXXXXXXXXXXXXXXX000100010001" would set the sequence number that is to be used in the search to hexadecimal XXXXX111.

SEARCH:SEARCH1:TRIGger:A:BUS:B1:ETHERnet:TCPHeader:SEQnum:VALue?
 might return "XXXXXXXXXXXXXXXXXXXX0010010100" .

SEARCH:SEARCH<x>:TRIGger:A:BUS:B<x>:ETHERnet:TCPHeader:DESTinationport:VALue

When the Ethernet search condition is set to TCPHeader, this command specifies the 16-bit destination port address that is to be used in the search (along with the acknowledgement value, source port address and the sequence number). The default is all X's (don't care). SEARCH<x> is the search number, which is always 1, and B<x> is the bus number 1-4.

Conditions This command requires a DPO4ENET application module.

Group Search

Syntax SEARCH:SEARCH<x>:TRIGger:A:BUS:B<x>:ETHERnet:TCPHeader:DESTinationport:VALue <QString>

SEARCH:SEARCH<x>:TRIGger:A:BUS:B<x>:ETHERnet:TCPHeader:DESTinationport:VALue?

Related Commands [SEARCH:SEARCH<x>:TRIGger:A:BUS:B<x>:ETHERnet:CONDition](#)
[SEARCH:SEARCH<x>:TRIGger:A:BUS:B<x>:ETHERnet:TCPHeader:ACKnum:VALue](#)
[SEARCH:SEARCH<x>:TRIGger:A:BUS:B<x>:ETHERnet:TCPHeader:SOUrceport:VALue](#)
[SEARCH:SEARCH<x>:TRIGger:A:BUS:B<x>:ETHERnet:TCPHeader:SEQnum:VALue](#)

Arguments QString is a quoted string of up to 16 characters where the allowable characters are 0, 1, and X. The bits specified in the quoted string replace the least significant bits, leaving any unspecified upper bits unchanged.

Examples SEARCH:SEARCH1:TRIGger:A:BUS:B1:ETHERnet:TCPHeader:DESTinationport:VALue "XXXXXXXX00100010" would set the destination port address value that is to be used in the search to hexadecimal XX22.

SEARCH:SEARCH1:TRIGger:A:BUS:B1:ETHERnet:TCPHeader:DESTInationport:VALue? might return "XXXXXXXXXXXXXXXXXXXX".

SEARCH:SEARCH<x>:TRIGger:A:BUS:B<x>:ETHERnet:TCPHeader:SOURceport:VALue

When the Ethernet search condition is set to TCPHEADER, this command specifies the 16-bit source port address that is to be used in the search (along with the destination port address, the sequence number and the acknowledgement number). The default is all X's (don't care). SEARCH<x> is the search number, which is always 1, and B<x> is the bus number 1-4.

Conditions This command requires a DPO4ENET application module.

Group Search

Syntax SEARCH:SEARCH<x>:TRIGger:A:BUS:B<x>:ETHERnet:TCPHeader:SOURceport:VALue <QString>

SEARCH:SEARCH<x>:TRIGger:A:BUS:B<x>:ETHERnet:TCPHeader:SOURceport:VALue?

Related Commands [SEARCH:SEARCH<x>:TRIGger:A:BUS:B<x>:ETHERnet:CONDition](#)
[SEARCH:SEARCH<x>:TRIGger:A:BUS:B<x>:ETHERnet:TCPHeader:ACKnum:VALue](#)
[SEARCH:SEARCH<x>:TRIGger:A:BUS:B<x>:ETHERnet:TCPHeader:DESTInationport:VALue](#)
[SEARCH:SEARCH<x>:TRIGger:A:BUS:B<x>:ETHERnet:TCPHeader:SEQnum:VALue](#)

Arguments QString is a quoted string of up to 16 characters where the allowable characters are 0, 1, and X. The bits specified in the quoted string replace the least significant bits, leaving any unspecified upper bits unchanged.

Examples SEARCH:SEARCH1:TRIGger:A:BUS:B1:ETHERnet:TCPHeader:SOURceport:VALue "XXXX000010100110" would set the source port address that is to be used in the search to hexadecimal X0A6.

SEARCH:SEARCH1:TRIGger:A:BUS:B1:ETHERnet:TCPHeader:SOURceport:VALue? might return "XXXXX01001010110".

SEARCH:SEARCH<x>:TRIGger:A:BUS:B<x>:FLEXray:CONDition

This command specifies the condition to use when searching on FlexRay bus data (start of frame, frame type, ID, cycle count, header, data, ID and data, EOF, error). SEARCH<x> is the search number, which is always 1, and B<x> is the bus number 1-4, which can be 1 or 2.

Conditions	This command requires a DPO4AUTOMAX application module.
Group	Search
Syntax	SEARCH:SEARCH<x>:TRIGger:A:BUS:B<x>:FLEXray:CONDition {SOF FRAMETypeid CYCLEcount HEADER DATA IDANDDATA EOF ERROR} SEARCH:SEARCH<x>:TRIGger:A:BUS:B<x>:FLEXray:CONDition?
Arguments	SOF sets the search condition to start of frame. FRAMETypeid sets the search condition to a frame type id. CYCLEcount sets the search condition to cycle count. HEADER sets the search condition to header. DATA sets the search condition to data. IDANDDATA sets the search condition to ID and data. EOF sets the search condition to EOF. ERROR sets the search condition to an error.
Examples	SEARCH:SEARCH1:TRIGGER:A:BUS:B1:FLEXRAY:CONDITION ERROR sets the FlexRay condition to ERROR SEARCH:SEARCH1:TRIGGER:A:BUS:B1:FLEXRAY:CONDITION? might return SEARCH:SEARCH1:TRIGGER:A:BUS:B1:FLEXRAY:CONDITION SOF indicating the FlexRay condition is start of frame.

SEARCH:SEARCH<x>:TRIGger:A:BUS:B<x>:FLEXray:CYCLEcount:HIVALue

This command specifies the upper data value of the range to be used when searching on the FlexRay bus cycle count field. (Use [SEARCH:SEARCH<x>:TRIGger:A:BUS:B<x>:FLEXray:CYCLEcount:VALue](#) to set the low value.) The search condition must be set to CYCLEcount (using [SEARCH:SEARCH<x>:TRIGger:A:BUS:B<x>:FLEXray:CONDition](#)).

SEARCH<x> is the search number, which is always 1, and B<x> is the bus number 1-4.

Conditions	This command requires a DPO4AUTOMAX application module.
Group	Search
Syntax	SEARCH:SEARCH<x>:TRIGger:A:BUS:B<x>:FLEXray:CYCLEcount:HIValue <QString> SEARCH:SEARCH<x>:TRIGger:A:BUS:B<x>:FLEXray:CYCLEcount:HIValue?
Arguments	<QString> is a quoted string that is the cycle count high value.
Examples	SEARCH:SEARCH1:TRIGGER:A:BUS:B1:FLEXRAY:CYCLECOUNT:HIVALUE "110010" sets the cycle count high value to 110010. SEARCH:SEARCH1:TRIGGER:A:BUS:B1:FLEXRAY:CYCLECOUNT:HIVALUE? might return SEARCH:SEARCH1:TRIGGER:A:BUS:B1:FLEXRAY:CYCLECOUNT:HIVALUE "XXXXXX" indicating the cycle count high value is set to don't cares.

SEARCH:SEARCH<x>:TRIGger:A:BUS:B<x>:FLEXray:CYCLEcount:QUALifier

This command specifies the qualifier (<, >, =, <=, >=, not =, in range, out of range) to use when searching on the FlexRay bus cycle count field. The search condition must be set to CYCLEcount (using [SEARCH:SEARCH<x>:TRIGger:A:BUS:B<x>:FLEXray:CONDition](#)). SEARCH<x> is the search number, which is always 1, and B<x> is the bus number 1-4.

Conditions	This command requires a DPO4AUTOMAX application module.
Group	Search
Syntax	SEARCH:SEARCH<x>:TRIGger:A:BUS:B<x>:FLEXray:CYCLEcount:QUALifier {LESSthan MOREthan EQua1 UNEQua1 LESSEQua1 MORREEQua1 INrange OUTrange}

SEARCH:SEARCH<x>:TRIGger:A:BUS:B<x>:FLEXray:CYCLEcount:QUALifier?

- Arguments**
- LESSthan sets the cycle count qualifier to less than.
 - MOREthan sets the cycle count qualifier to greater than.
 - EQual sets the cycle count qualifier to equal.
 - UNEQual sets the cycle count qualifier to not equal.
 - LESSEQual sets the cycle count qualifier to less than or equal.
 - MOREEQual sets the cycle count qualifier to greater than or equal.
 - INrange sets the cycle count qualifier to in range.
 - OUTrange sets the cycle count qualifier to out of range.

- Examples**
- SEARCH:SEARCH1:TRIGGER:A:BUS:B1:FLEXRAY:CYCLECOUNT:QUALIFIER
LESSthan sets the cycle count qualifier to less than.
- SEARCH:SEARCH1:TRIGGER:A:BUS:B1:FLEXRAY:CYCLECOUNT:QUALIFIER?
might return
SEARCH:SEARCH1:TRIGGER:A:BUS:B1:FLEXRAY:CYCLECOUNT:QUALIFIER
EQUAL indicating the cycle count qualifier is set to =.

SEARCH:SEARCH<x>:TRIGger:A:BUS:B<x>:FLEXray:CYCLEcount:VALue

This command specifies the low data value to be used when searching on the FlexRay bus cycle count field. The search condition must be set to CYCLEcount (using [SEARCH:SEARCH<x>:TRIGger:A:BUS:B<x>:FLEXray:CONDition](#)). SEARCH<x> is the search number, which is always 1, and B<x> is the bus number 1-4.

- Conditions** This command requires a DPO4AUTOMAX application module.

- Group** Search

- Syntax**
- ```
SEARCH:SEARCH<x>:TRIGger:A:BUS:B<x>:FLEXray:CYCLEcount:VALue
<QString>
SEARCH:SEARCH<x>:TRIGger:A:BUS:B<x>:FLEXray:CYCLEcount:
VALue?
```

- Arguments** <QString> is a quoted string that is the cycle count binary value.

**Examples** SEARCH:SEARCH1:TRIGGER:A:BUS:B1:FLEXRAY:CYCLECOUNT:VALUE "110010" sets the cycle count value to 110010.

SEARCH:SEARCH1:TRIGGER:A:BUS:B1:FLEXRAY:CYCLECOUNT:VALUE? might return  
SEARCH:SEARCH1:TRIGGER:A:BUS:B1:FLEXRAY:CYCLECOUNT:VALUE "XXXXXX" indicating the cycle count value is don't cares.

## SEARCH:SEARCH<x>:TRIGger:A:BUS:B<x>:FLEXray:DATA:HIVALue

This command specifies the high value to use when searching on the FlexRay bus data field. The search condition needs to be set to ID or IDANDDATA (using [SEARCH:SEARCH<x>:TRIGger:A:BUS:B<x>:FLEXray:CONDition](#)). SEARCH<x> is the search number, which is always 1, and B<x> is the bus number 1-4.

**Conditions** This command requires a DPO4AUTOMAX application module.

**Group** Search

**Syntax** SEARCH:SEARCH<x>:TRIGger:A:BUS:B<x>:FLEXray:DATA:HIVALue <Qstring>  
SEARCH:SEARCH<x>:TRIGger:A:BUS:B<x>:FLEXray:DATA:HIVALue?

**Related Commands** [SEARCH:SEARCH<x>:TRIGger:A:BUS:B<x>:FLEXray:CONDition](#)

**Arguments** <Qstring> is a quoted string that is the data field high binary value.

**Examples** SEARCH:SEARCH1:TRIGGER:A:BUS:B1:FLEXRAY:DATA:HIVALUE "11001010" sets the high value 11001010.

SEARCH:SEARCH1:TRIGGER:A:BUS:B1:FLEXRAY:DATA:HIVALUE? might return SEARCH:SEARCH1:TRIGGER:A:BUS:B1:FLEXRAY:DATA:HIVALUE "XXXXXXXX" indicating the high value is don't cares.

## SEARCH:SEARCH<x>:TRIGger:A:BUS:B<x>:FLEXray:DATA:OFFSet

This command specifies the offset of the data string in bytes to be used when searching on the FlexRay bus data field. The search condition needs to be set to ID or IDANDDATA (using [SEARCH:SEARCH<x>:TRIGger:A:BUS:B<x>:FLEXray:CONDition](#)). SEARCH<x> is the search number, which is always 1, and B<x> is the bus number 1-4.



|                   |                                                                                                                                                                                                                                                                          |
|-------------------|--------------------------------------------------------------------------------------------------------------------------------------------------------------------------------------------------------------------------------------------------------------------------|
| <b>Conditions</b> | This command requires a DPO4AUTOMAX application module.                                                                                                                                                                                                                  |
| <b>Group</b>      | Search                                                                                                                                                                                                                                                                   |
| <b>Syntax</b>     | SEARCH:SEARCH<x>:TRIGger:A:BUS:B<x>:FLEXray:DATA:OFFSet<br><NR1><br>SEARCH:SEARCH<x>:TRIGger:A:BUS:B<x>:FLEXray:DATA:OFFSet?                                                                                                                                             |
| <b>Arguments</b>  | <NR1> is the data offset in bytes. A byte offset of -1 signifies don't care, and no byte offset is used. The instrument will search or match any byte value that fits.                                                                                                   |
| <b>Examples</b>   | SEARCH:SEARCH1:TRIGGER:A:BUS:B1:FLEXRAY:DATA:OFFSET 10 sets the FLEXRAY data offset to 10 bytes.<br><br>SEARCH:SEARCH1:TRIGGER:A:BUS:B1:FLEXRAY:DATA:OFFSET? might return SEARCH:SEARCH1:TRIGGER:A:BUS:B1:FLEXRAY:DATA:OFFSET 0 indicating the offset is set to 0 bytes. |

## SEARCH:SEARCH<x>:TRIGger:A:BUS:B<x>:FLEXray:DATA:QUALifier

This command specifies the qualifier (<, >, =, <=, >=, not =, in range, out of range) to use when searching on the FlexRay bus data field. The search condition needs to be set to ID or IDANDDATA (using [SEARCH:SEARCH<x>:TRIGger:A:BUS:B<x>:FLEXray:CONDition](#)). SEARCH<x> is the search number, which is always 1, and B<x> is the bus number 1-4.

|                   |                                                                                                                                                                                                         |
|-------------------|---------------------------------------------------------------------------------------------------------------------------------------------------------------------------------------------------------|
| <b>Conditions</b> | This command requires a DPO4AUTOMAX application module.                                                                                                                                                 |
| <b>Group</b>      | Search                                                                                                                                                                                                  |
| <b>Syntax</b>     | SEARCH:SEARCH<x>:TRIGger:A:BUS:B<x>:FLEXray:DATA:QUALifier<br>{LESSthan MOREthan EQua1 UNEQua1 LESSEQua1 MOREEQua1 INrange OUTrange}<br><br>SEARCH:SEARCH<x>:TRIGger:A:BUS:B<x>:FLEXray:DATA:QUALifier? |
| <b>Arguments</b>  | LESSthan sets the data qualifier to less than.<br><br>MOREthan sets the data qualifier to greater than.<br><br>EQua1 sets the data qualifier to equal.                                                  |

UNEQUAL sets the data qualifier to not equal.

LESSEQUAL sets the data qualifier to less than or equal.

MOREEQUAL sets the data qualifier to greater than or equal.

INrange sets the data qualifier to in range.

OUTrange sets the data qualifier to out of range.

**Examples** SEARCH:SEARCH1:TRIGGER:A:BUS:B1:FLEXRAY:DATA:QUALIFIER  
LESSTHAN sets the data qualifier to less than.

SEARCH:SEARCH1:TRIGGER:A:BUS:B1:FLEXRAY:DATA:QUALIFIER? might return SEARCH:SEARCH1:TRIGGER:A:BUS:B1:FLEXRAY:DATA:QUALIFIER EQUAL indicating the data qualifier is =.

## SEARCH:SEARCH<x>:TRIGger:A:BUS:B<x>:FLEXray:DATA:SIZE

This command specifies the length of the data string, in bytes, to use when searching on the FlexRay bus data field. The search condition needs to be set to ID or IDANDDATA (using [SEARCH:SEARCH<x>:TRIGger:A:BUS:B<x>:FLEXray:CONDition](#)). SEARCH<x> is the search number, which is always 1, and B<x> is the bus number 1-4.

**Conditions** This command requires a DPO4AUTOMAX application module.

**Group** Search

**Syntax** SEARCH:SEARCH<x>:TRIGger:A:BUS:B<x>:FLEXray:DATA:SIZE <NR1>  
SEARCH:SEARCH<x>:TRIGger:A:BUS:B<x>:FLEXray:DATA:SIZE?

**Arguments** <NR1> is the length of the data string in bytes. Length range is 1 to 8.

**Examples** SEARCH:SEARCH1:TRIGGER:A:BUS:B1:FLEXRAY:DATA:SIZE 8 sets the data size to 8 bytes.

SEARCH:SEARCH1:TRIGGER:A:BUS:B1:FLEXRAY:DATA:SIZE? might return SEARCH:SEARCH1:TRIGGER:A:BUS:B1:FLEXRAY:DATA:SIZE 1 indicating the data size is 1 byte.

## SEARCH:SEARCH<x>:TRIGger:A:BUS:B<x>:FLEXray:DATA:VALue

This command specifies the low value to use when searching on the FlexRay bus data field. The search condition needs to be set to ID or IDANDDATA (using [TRIGger:A:BUS:B<x>:FLEXray:CONDition](#)). SEARCH<x> is the search number, which is always 1, and B<x> is the bus number 1-4.

**Conditions** This command requires a DPO4AUTOMAX application module.

**Group** Search

**Syntax** SEARCH:SEARCH<x>:TRIGger:A:BUS:B<x>:FLEXray:DATA:VALue  
<QString>  
SEARCH:SEARCH<x>:TRIGger:A:BUS:B<x>:FLEXray:DATA:VALue?

**Related Commands** [SEARCH:SEARCH<x>:TRIGger:A:BUS:B<x>:FLEXray:CONDition](#)

**Arguments** <QString> is a quoted string that is the low binary data string to be used for a FlexRay search if the search condition is set to IDANDDATA.

**Examples** SEARCH:SEARCH1:TRIGGER:A:BUS:B1:FLEXRAY:DATA:VALUE  
"11001010" sets the binary data string to 11001010.

SEARCH:SEARCH1:TRIGGER:A:BUS:B1:FLEXRAY:DATA:VALUE? might  
return SEARCH:SEARCH1:TRIGGER:A:BUS:B1:FLEXRAY:DATA:VALUE  
"XXXXXXXX" indicates the binary data string is don't cares.

## SEARCH:SEARCH<x>:TRIGger:A:BUS:B<x>:FLEXray:EOFTYPE

This command specifies which end of file type to use (static, dynamic or any) when searching on the FlexRay bus EOF field. The search condition needs to be set to EOF (using [SEARCH:SEARCH<x>:TRIGger:A:BUS:B<x>:FLEXray:CONDition](#)). SEARCH<x> is the search number, which is always 1, and B<x> is the bus number 1-4.

**Conditions** This command requires a DPO4AUTOMAX application module.

**Group** Search

**Syntax** SEARCH:SEARCH<x>:TRIGger:A:BUS:B<x>:FLEXray:EOFTYPE  
{STATic|DYNAMic|ANY}

SEARCH:SEARCH<x>:TRIGger:A:BUS:B<x>:FLEXray:EOFTYPE?

**Arguments**     **STAtic** sets the FlexRay end of frame type to STATIC.  
**DYNAMi c** sets the FlexRay end of frame type to DYNAMIC.  
**ANY** sets the FlexRay end of frame type to ANY type.

**Examples**     SEARCH:SEARCH1:TRIGGER:A:BUS:B1:FLEXRAY:EOFTYPE ANY sets the FlexRay end of frame type to any type.  
 SEARCH:SEARCH1:TRIGGER:A:BUS:B1:FLEXRAY:EOFTYPE? might return  
 SEARCH:SEARCH1:TRIGGER:A:BUS:B1:FLEXRAY:EOFTYPE STATIC indicating the FlexRay end of frame type is static.

## SEARCH:SEARCH<x>:TRIGger:A:BUS:B<x>:FLEXray:ERRTYPE

This command specifies the error type to use when searching on the FlexRay bus signal. The search condition needs to be set to ERROR (using [SEARCH:SEARCH<x>:TRIGger:A:BUS:B<x>:FLEXray:CONDition](#)). SEARCH<x> is the search number, which is always 1, and B<x> is the bus number 1-4.

**Conditions**     This command requires a DPO4AUTOMAX application module.

**Group**     Search

**Syntax**     SEARCH:SEARCH<x>:TRIGger:A:BUS:B<x>:FLEXray:ERRTYPE  
 {CRCHeader|CRCTrai ler|SYNCFRame|STARTupnosync|NULLFRStati c|  
 NULLFRDynam i c}  
 SEARCH:SEARCH<x>:TRIGger:A:BUS:B<x>:FLEXray:ERRTYPE?

**Arguments**     **CRCHeader** sets the error type to CRC header.  
**CRCTrai ler** sets the error type to CRC trailer.  
**SYNCFRame** sets the error type to sync frame.  
**STARTupnosync** sets the error type to start up with no sync.  
**NULLFRStati c** sets the error type to null frame static.  
**NULLFRDynam i c** sets the error type to null frame dynamic.

**Examples** SEARCH:SEARCH1:TRIGGER:A:BUS:B1:FLEXRAY:ERRTYPE SYNCFRAME sets the error type to sync frame

SEARCH:SEARCH1:TRIGGER:A:BUS:B1:FLEXRAY:ERRTYPE? might return  
SEARCH:SEARCH1:TRIGGER:A:BUS:B1:FLEXRAY:ERRTYPE CRCHEADER indicating the FlexRay error type is CRCHEADER

## SEARCH:SEARCH<x>:TRIGger:A:BUS:B<x>:FLEXray:FRAMEID:HIVALue

This command specifies the high value to use when searching on the FlexRay bus frame ID field. (Use [SEARCH:SEARCH<x>:TRIGger:A:BUS:B<x>:FLEXray:FRAMEID:VALue](#) to set the low value.) The search condition needs to be set to Identifier (using [SEARCH:SEARCH<x>:TRIGger:A:BUS:B<x>:FLEXray:CONDition](#)). SEARCH<x> is the search number, which is always 1, and B<x> is the bus number 1-4.

**Conditions** This command requires a DPO4AUTOMAX application module.

**Group** Search

**Syntax** SEARCH:SEARCH<x>:TRIGger:A:BUS:B<x>:FLEXray:FRAMEID:HIVALue <QString>  
SEARCH:SEARCH<x>:TRIGger:A:BUS:B<x>:FLEXray:FRAMEID:HIVALue?

**Arguments** <QString> is a quoted string representing the binary data string used for FlexRay frame ID high value.

**Examples** SEARCH:SEARCH1:TRIGGER:A:BUS:B1:FLEXRAY:FRAMEID:HIVALUE "00101100101" sets the frame id high value to 00101100101.

SEARCH:SEARCH1:TRIGGER:A:BUS:B1:FLEXRAY:FRAMEID:HIVALUE? might return  
SEARCH:SEARCH1:TRIGGER:A:BUS:B1:FLEXRAY:FRAMEID:HIVALUE "XXXXXXXXXX" indicating the frame id high value is don't cares.

## SEARCH:SEARCH<x>:TRIGger:A:BUS:B<x>:FLEXray:FRAMEID:QUALifier

This command specifies the qualifier to use when searching on the FlexRay bus frame ID field. The search condition needs to be set to Identifier (using [SEARCH:SEARCH<x>:TRIGger:A:BUS:B<x>:FLEXray:CONDition](#)). SEARCH<x> is the search number, which is always 1, and B<x> is the bus number 1-4.

|                   |                                                                                                                                                                                                                                                                                                                                                                                                                                                                                                  |
|-------------------|--------------------------------------------------------------------------------------------------------------------------------------------------------------------------------------------------------------------------------------------------------------------------------------------------------------------------------------------------------------------------------------------------------------------------------------------------------------------------------------------------|
| <b>Conditions</b> | This command requires a DPO4AUTOMAX application module.                                                                                                                                                                                                                                                                                                                                                                                                                                          |
| <b>Group</b>      | Search                                                                                                                                                                                                                                                                                                                                                                                                                                                                                           |
| <b>Syntax</b>     | <pre>SEARCH:SEARCH&lt;x&gt;:TRIGger:A:BUS: B&lt;x&gt;:FLEXray:FRAMEID:QUALifier {LESSthan MOREthan EQua1 UNEQua1 LESSEQua1 MOREEQua1  INrange OUTrange}</pre> <pre>SEARCH:SEARCH&lt;x&gt;:TRIGger:A:BUS:B&lt;x&gt;:FLEXray:FRAMEID: QUALifier?</pre>                                                                                                                                                                                                                                             |
| <b>Arguments</b>  | <p>LESSthan sets the frame ID qualifier to less than.</p> <p>MOREthan sets the frame ID qualifier to more than.</p> <p>EQua1 sets the frame ID qualifier to equal.</p> <p>UNEQua1 sets the frame ID qualifier to unequal</p> <p>LESSEQua1 sets the frame ID qualifier to less than or equal.</p> <p>MOREEQua1 sets the frame ID qualifier to greater than or equal.</p> <p>INrange sets the frame ID qualifier to in range.</p> <p>OUTrange sets the frame ID qualifier to outside of range.</p> |
| <b>Examples</b>   | <pre>SEARCH:SEARCH1:TRIGGER:A:BUS:B1:FLEXRAY:FRAMEID:QUALIFIER OUTRANGE sets the frame ID qualifier to out of range.</pre> <pre>SEARCH:SEARCH1:TRIGGER:A:BUS:B1:FLEXRAY:FRAMEID:QUALIFIER? might return SEARCH:SEARCH1:TRIGGER:A:BUS:B1:FLEXRAY:FRAMEID:QUALIFIER EQUAL indicating the frame ID qualifier is EQUAL.</pre>                                                                                                                                                                        |

## SEARCH:SEARCH<x>:TRIGger:A:BUS:B<x>:FLEXray:FRAMEID:VALue

This command specifies the low value to use when searching on the FlexRay bus frame ID field. (Use [SEARCH:SEARCH<x>:TRIGger:A:BUS:B<x>:FLEXray:FRAMEID:HIVALue](#) to set the high value.) The search condition needs to be set to Identifier (using [SEARCH:SEARCH<x>:TRIGger:A:BUS:B<x>:FLEXray:CONDition](#)). SEARCH<x> is the search number, which is always 1, and B<x> is the bus number 1-4.

|                   |                                                         |
|-------------------|---------------------------------------------------------|
| <b>Conditions</b> | This command requires a DPO4AUTOMAX application module. |
|-------------------|---------------------------------------------------------|

|                  |                                                                                                                                                                                                                                                                                                                                 |
|------------------|---------------------------------------------------------------------------------------------------------------------------------------------------------------------------------------------------------------------------------------------------------------------------------------------------------------------------------|
| <b>Group</b>     | Search                                                                                                                                                                                                                                                                                                                          |
| <b>Syntax</b>    | SEARCH:SEARCH<x>:TRIGger:A:BUS:B<x>:FLEXray:FRAMEID:VALue<br><QString><br>SEARCH:SEARCH<x>:TRIGger:A:BUS:B<x>:FLEXray:FRAMEID:VALUE?                                                                                                                                                                                            |
| <b>Arguments</b> | <QString> is a quoted string representing the binary data string used for FlexRay frame ID low value.                                                                                                                                                                                                                           |
| <b>Examples</b>  | SEARCH:SEARCH1:TRIGGER:A:BUS:B1:FLEXRAY:FRAMEID:VALUE<br>"11001101010" sets the value of the frame ID is 11001101010.<br><br>SEARCH:SEARCH1:TRIGGER:A:BUS:B1:FLEXRAY:FRAMEID:VALUE? might<br>return SEARCH:SEARCH1:TRIGGER:A:BUS:B1:FLEXRAY:FRAMEID:VALUE<br>"10110010101" indicating the value of the frame ID is 10110010101. |

## SEARCH:SEARCH<x>:TRIGger:A:BUS:B<x>:FLEXray:FRAMEType

This command specifies the frame type (normal, payload, null, sync or startup) to use when searching on FlexRay bus data. The search condition needs to be set to FRAMEType (using [SEARCH:SEARCH<x>:TRIGger:A:BUS:B<x>:FLEXray:CONDition](#)). SEARCH<x> is the search number, which is always 1, and B<x> is the bus number 1-4.

|                   |                                                                                                                                                                                                        |
|-------------------|--------------------------------------------------------------------------------------------------------------------------------------------------------------------------------------------------------|
| <b>Conditions</b> | This command requires a DPO4AUTOMAX application module.                                                                                                                                                |
| <b>Group</b>      | Search                                                                                                                                                                                                 |
| <b>Syntax</b>     | SEARCH:SEARCH<x>:TRIGger:A:BUS:B<x>:FLEXray:FRAMEType<br>{NORMa1 PAYLoad NULL SYNC STARTUp}<br><br>SEARCH:SEARCH<x>:TRIGger:A:BUS:B<x>:FLEXray:FRAMEType?                                              |
| <b>Arguments</b>  | NORMa1 sets the frame type to normal.<br>PAYLoad sets the frame type to payload.<br>NULL sets the frame type to NULL.<br>SYNC sets the frame type to sync.<br>STARTUp sets the frame type to start up. |

- Examples**      `SEARCH:SEARCH1:TRIGGER:A:BUS:B1:FLEXRAY:FRAMETYPE STARTUP`  
 sets the FlexRay frame type to startup.
- `SEARCH:SEARCH1:TRIGGER:A:BUS:B1:FLEXRAY:FRAMETYPE?` might return  
`SEARCH:SEARCH1:TRIGGER:A:BUS:B1:FLEXRAY:FRAMETYPE NORMAL`  
 indicating the FlexRay frame type is normal.

## SEARCH:SEARCH<x>:TRIGger:A:BUS:B<x>:FLEXray:HEADER:CRC

This command specifies the CRC portion of the binary header string to be used when searching on FlexRay bus data. The search condition needs to be set to HEADer (using [SEARCH:SEARCH<x>:TRIGger:A:BUS:B<x>:FLEXray:CONDition](#)). SEARCH<x> is the search number, which is always 1, B<x> is the bus number 1-4.

- Conditions**      This command requires a DPO4AUTOMAX application module.
- Group**            Search
- Syntax**            `SEARCH:SEARCH<x>:TRIGger:A:BUS:B<x>:FLEXray:HEADER:CRC`  
`<Qstring>`  
`SEARCH:SEARCH<x>:TRIGger:A:BUS:B<x>:FLEXray:HEADER:CRC?`
- Arguments**        <Qstring> is a quoted string representing the CRC portion of the binary header string used for FlexRay search.
- Examples**          `SEARCH:SEARCH1:TRIGGER:A:BUS:B1:FLEXRAY:HEADER:CRC`  
`"00110010101"` sets the CRC protion of the binary header string 00110010101.
- `SEARCH:SEARCH1:TRIGGER:A:BUS:B1:FLEXRAY:HEADER:CRC?` might  
 return `SEARCH:SEARCH1:TRIGGER:A:BUS:B1:FLEXRAY:HEADER:CRC`  
`"XXXXXXXXXXXX"` indicating the CRC protion of the binary header string is don't  
 cares.

## SEARCH:SEARCH<x>:TRIGger:A:BUS:B<x>:FLEXray:HEADER:CYCLEcount

This command specifies to use the cycle count portion of the binary header string when searching on the FlexRay bus header. The search condition needs to be set to HEADer (using [SEARCH:SEARCH<x>:TRIGger:A:BUS:B<x>:FLEXray:CONDition](#)). SEARCH<x> is the search number, which is always 1, and B<x> is the bus number 1-4.



|                   |                                                                                                                                                                                                                                                                                                             |
|-------------------|-------------------------------------------------------------------------------------------------------------------------------------------------------------------------------------------------------------------------------------------------------------------------------------------------------------|
| <b>Conditions</b> | This command requires a DPO4AUTOMAX application module.                                                                                                                                                                                                                                                     |
| <b>Group</b>      | Search                                                                                                                                                                                                                                                                                                      |
| <b>Syntax</b>     | SEARCH:SEARCH<x>:TRIGger:A:BUS:B<x>:FLEXray:HEADER:<br>CYCLEcount <QString><br>SEARCH:SEARCH<x>:TRIGger:A:BUS:B<x>:FLEXray:HEADER:<br>CYCLEcount?                                                                                                                                                           |
| <b>Arguments</b>  | <QString> is a quoted string representing the cycle count portion of the binary header string used for FlexRay search.                                                                                                                                                                                      |
| <b>Examples</b>   | SEARCH:SEARCH1:TRIGGER:A:BUS:B1:FLEXRAY:HEADER:CYCLECOUNT<br>"001101" sets the cycle count to 001101.<br><br>SEARCH:SEARCH1:TRIGGER:A:BUS:B1:FLEXRAY:HEADER:CYCLECOUNT?<br>might return<br>SEARCH:SEARCH1:TRIGGER:A:BUS:B1:FLEXRAY:HEADER:CYCLECOUNT<br>"XXXXXX" indicating the cycle count is don't cares. |

## SEARCH:SEARCH<x>:TRIGger:A:BUS:B<x>:FLEXray:HEADER:FRAMEID

This command specifies to use the frame ID portion of the binary header string when searching on the FlexRay bus header. The search condition needs to be set to HEADer (using [SEARCH:SEARCH<x>:TRIGger:A:BUS:B<x>:FLEXray:CONDition](#)). SEARCH<x> is the search number, which is always 1, and B<x> is the bus number 1-4. .

|                   |                                                                                                                                        |
|-------------------|----------------------------------------------------------------------------------------------------------------------------------------|
| <b>Conditions</b> | This command requires a DPO4AUTOMAX application module.                                                                                |
| <b>Group</b>      | Search                                                                                                                                 |
| <b>Syntax</b>     | SEARCH:SEARCH<x>:TRIGger:A:BUS:B<x>:FLEXray:HEADER:FRAMEID<br><QString><br>SEARCH:SEARCH<x>:TRIGger:A:BUS:B<x>:FLEXray:HEADER:FRAMEID? |
| <b>Arguments</b>  | <QString> is a quoted string representing the frame ID portion of the binary header string used for a FlexRay search.                  |

- Examples**     `SEARCH:SEARCH1:TRIGGER:A:BUS:B1:FLEXRAY:HEADER:FRAMEID "10110010101"` sets the frame ID portion of the binary header string to 10110010101.
- `SEARCH:SEARCH1:TRIGGER:A:BUS:B1:FLEXRAY:HEADER:FRAMEID?` might return `SEARCH:SEARCH1:TRIGGER:A:BUS:B1:FLEXRAY:HEADER:FRAMEID "XXXXXXXXXXXX"` indicating the frame ID portion of the binary header string is don't cares.

## **SEARCH:SEARCH<x>:TRIGger:A:BUS:B<x>:FLEXray:HEADER:INDBits**

This command specifies to use the indicator bits portion of the binary header string when searching on the FlexRay bus header. The search condition needs to be set to HEADer (using [SEARCH:SEARCH<x>:TRIGger:A:BUS:B<x>:FLEXray:CONDition](#)). SEARCH<x> is the search number, which is always 1, and B<x> is the bus number 1-4.

- Conditions**     This command requires a DPO4AUTOMAX application module.
- Group**             Search
- Syntax**            `SEARCH:SEARCH<x>:TRIGger:A:BUS:B<x>:FLEXray:HEADER:INDBits <QString>`  
`SEARCH:SEARCH<x>:TRIGger:A:BUS:B<x>:FLEXray:HEADER:INDBits?`
- Arguments**        <QString> is a quoted string representing the indicator bits portion of the binary header string used in a FlexRay search.
- Examples**         `SEARCH:SEARCH1:TRIGGER:A:BUS:B1:FLEXRAY:HEADER:INDBITS "10100"` sets the indicator bits of the header to 10100.
- `SEARCH:SEARCH1:TRIGGER:A:BUS:B1:FLEXRAY:HEADER:INDBITS?` might return `SEARCH:SEARCH1:TRIGGER:A:BUS:B1:FLEXRAY:HEADER:INDBITS "XXXXX"` indicating the indicator bits of the header are don't cares.

## **SEARCH:SEARCH<x>:TRIGger:A:BUS:B<x>:FLEXray:HEADER:PAYLength**

This command specifies to use the payload length portion of the binary header string when searching on the FlexRay bus header. This command specifies the payload length to be used in a FlexRay search. The search condition needs to be set to HEADer (using [SEARCH:SEARCH<x>:TRIGger:A:BUS:B<x>:FLEXray:CONDition](#)). SEARCH<x> is the search number, which is always 1, and B<x> is the bus number 1-4.

|                   |                                                                                                                                                                                                                                                                                                                                                                                              |
|-------------------|----------------------------------------------------------------------------------------------------------------------------------------------------------------------------------------------------------------------------------------------------------------------------------------------------------------------------------------------------------------------------------------------|
| <b>Conditions</b> | This command requires a DPO4AUTOMAX application module.                                                                                                                                                                                                                                                                                                                                      |
| <b>Group</b>      | Search                                                                                                                                                                                                                                                                                                                                                                                       |
| <b>Syntax</b>     | SEARCH:SEARCH<x>:TRIGger:A:BUS:B<x>:FLEXray:HEADER:PAYLength<br><QString><br>SEARCH:SEARCH<x>:TRIGger:A:BUS:B<x>:FLEXray:HEADER:<br>PAYLength?                                                                                                                                                                                                                                               |
| <b>Arguments</b>  | <QString> is a quoted string representing the payload length portion of the binary header string used for a FlexRay search.                                                                                                                                                                                                                                                                  |
| <b>Examples</b>   | SEARCH:SEARCH1:TRIGGER:A:BUS:B1:FLEXRAY:HEADER:PAYLENGTH<br>"1001101" sets the payload length portion of the binary header string to 1001101.<br><br>SEARCH:SEARCH1:TRIGGER:A:BUS:B1:FLEXRAY:HEADER:PAYLENGTH?<br>might return<br>SEARCH:SEARCH1:TRIGGER:A:BUS:B1:FLEXRAY:HEADER:PAYLENGTH<br>"xxxxxxx" indicating the payload length portion of the binary header string<br>is don't cares. |

## SEARCH:SEARCH<x>:TRIGger:A:BUS:B<x>:I2C:ADDRess:MODE

This command specifies the I2C address mode to be used in an I2C search: either 7 or 10-Bit. SEARCH<x> is the search number and B<x> is the bus number 1-4. SEARCH<x> is the search number, which is always 1, and B<x> is the bus number 1-4.

|                   |                                                                                                                                     |
|-------------------|-------------------------------------------------------------------------------------------------------------------------------------|
| <b>Conditions</b> | This command requires a DPO4EMBD application module.                                                                                |
| <b>Group</b>      | Search                                                                                                                              |
| <b>Syntax</b>     | SEARCH:SEARCH<x>:TRIGger:A:BUS:B<x>:I2C:ADDRess:MODE<br>{ADDR7 ADDR10}<br><br>SEARCH:SEARCH<x>:TRIGger:A:BUS:B<x>:I2C:ADDRess:MODE? |
| <b>Arguments</b>  | ADDR7 specifies 7-bit addresses.<br><br>ADDR10 specifies 10-bit addresses.                                                          |

## SEARCH:SEARCH<x>:TRIGger:A:BUS:B<x>:I2C:ADDRess:TYPe

This command specifies the I2C address type to be used in an I2C search. SEARCH<x> is the search number, which is always 1, and B<x> is the bus number 1-4.

|                   |                                                                                                                                                                                                                                   |
|-------------------|-----------------------------------------------------------------------------------------------------------------------------------------------------------------------------------------------------------------------------------|
| <b>Conditions</b> | This command requires a DPO4EMBD application module.                                                                                                                                                                              |
| <b>Group</b>      | Search                                                                                                                                                                                                                            |
| <b>Syntax</b>     | SEARCH:SEARCH<x>:TRIGger:A:BUS:B<x>:I2C:ADDRess:TYPe<br>{GENeralcall STARTbyte HSmode EEPROM USER}<br><br>SEARCH:SEARCH<x>:TRIGger:A:BUS:B<x>:I2C:ADDRess:TYPe?                                                                   |
| <b>Arguments</b>  | GENeralcall specifies the GENeralcall address type.<br>STARTbyte specifies the STARTbyte address type.<br>HSmode specifies the HSmode address type<br>EEPROM specifies the EEPROM address type.<br>USER specifies a user address. |

## SEARCH:SEARCH<x>:TRIGger:A:BUS:B<x>:I2C:ADDRess:VALue

This command specifies the address value to be used in an I2C search if the search condition is ADDRess or ADDRANDDATA (address and data). SEARCH<x> is the search number, which is always 1, and B<x> is the bus number 1-4.

|                         |                                                                                                                       |
|-------------------------|-----------------------------------------------------------------------------------------------------------------------|
| <b>Conditions</b>       | This command requires a DPO4EMBD application module.                                                                  |
| <b>Group</b>            | Search                                                                                                                |
| <b>Syntax</b>           | SEARCH:SEARCH<x>:TRIGger:A:BUS:B<x>:I2C:ADDRess:VALue <bin><br>SEARCH:SEARCH<x>:TRIGger:A:BUS:B<x>:I2C:ADDRess:VALue? |
| <b>Related Commands</b> | <a href="#">SEARCH:SEARCH&lt;x&gt;:TRIGger:A:BUS:B&lt;x&gt;:I2C:CONDition</a>                                         |
| <b>Arguments</b>        | <bin> is the address in binary format.                                                                                |

## SEARCH:SEARCH<x>:TRIGger:A:BUS:B<x>:I2C:CONDition

This command specifies the search condition to use for an I2C search. SEARCH<x> is the search number, which is always 1, and B<x> is the bus number 1-4.

**Conditions** This command requires a DPO4EMBD application module.

**Group** Search

**Syntax** SEARCH:SEARCH<x>:TRIGger:A:BUS:B<x>:I2C:CONDition  
{START|STOP|REPEATstart|ACKMISS|ADDRESS|DATA|ADDRANDDATA}  
  
SEARCH:SEARCH<x>:TRIGger:A:BUS:B<x>:I2C:CONDition?

**Arguments** START specifies a search based on a start condition.  
STOP specifies a search based on a stop condition.  
REPEATstart specifies a search based on a repeat of start condition.  
ACKMISS specifies a search based on a missing acknowledgement condition.  
ADDRESS specifies a search based on an address.  
DATA specifies a search based on a data condition.  
ADDRANDDATA specifies a search based on an address and data condition.

## SEARCH:SEARCH<x>:TRIGger:A:BUS:B<x>:I2C:DATA:DIRection

This command specifies the data direction to use for an I2C search: either read, write, or either. SEARCH<x> is the search number, which is always 1, and B<x> is the bus number 1-4.

**Conditions** This command requires a DPO4EMBD application module.

**Group** Search

**Syntax** SEARCH:SEARCH<x>:TRIGger:A:BUS:B<x>:I2C:DATA:DIRection  
{READ|WRITE|NOCARE}  
SEARCH:SEARCH<x>:TRIGger:A:BUS:B<x>:I2C:DATA:DIRection?

- Arguments** READ specifies a read condition.  
WRITE specifies a write condition.  
NOCARE specifies either a read or write condition.

## SEARCH:SEARCH<x>:TRIGger:A:BUS:B<x>:I2C:DATA:SIZE

This command specifies the length of the data string, in bytes, to be used for an I2C search, if the search condition is set to DATA or ADDRANDDATA (address and data). SEARCH<x> is the search number, which is always 1, and B<x> is the bus number 1-4.

- Conditions** This command requires a DPO4EMBD application module.

- Group** Search

- Syntax** SEARCH:SEARCH<x>:TRIGger:A:BUS:B<x>:I2C:DATA:SIZE <NR1>  
SEARCH:SEARCH<x>:TRIGger:A:BUS:B<x>:I2C:DATA:SIZE?

- Related Commands** [SEARCH:SEARCH<x>:TRIGger:A:BUS:B<x>:I2C:CONDition](#)

- Arguments** <NR1> is the data string length in bytes.

## SEARCH:SEARCH<x>:TRIGger:A:BUS:B<x>:I2C:DATA:VALue

This command specifies the data value to be used in an I2C search, if the search condition is set to DATA or ADDRANDDATA (address and data). SEARCH<x> is the search number, which is always 1, and B<x> is the bus number 1-4.

- Conditions** This command requires a DPO4EMBD application module.

- Group** Search

- Syntax** SEARCH:SEARCH<x>:TRIGger:A:BUS:B<x>:I2C:DATA:VALue <bin>  
SEARCH:SEARCH<x>:TRIGger:A:BUS:B<x>:I2C:DATA:VALue?

- Arguments** <bin> is the data in binary format.

## SEARCH:SEARCH<x>:TRIGger:A:BUS:B<x>:LIN:CONDition

This command specifies the search condition for a LIN search. SEARCH<x> is the search number, which is always 1, and B<x> is the bus number 1-4.

|                  |                                                                                                                                                                                                                                                                                                                                          |
|------------------|------------------------------------------------------------------------------------------------------------------------------------------------------------------------------------------------------------------------------------------------------------------------------------------------------------------------------------------|
| <b>Group</b>     | Search                                                                                                                                                                                                                                                                                                                                   |
| <b>Syntax</b>    | SEARCH:SEARCH<x>:TRIGger:A:BUS:B<x>:LIN:CONDition<br>{SYNCFieLd IDentifier DATA IDANDDATA WAKEup SLEEP ERROR}<br><br>SEARCH:SEARCH<x>:TRIGger:A:BUS:B<x>:LIN:CONDition?                                                                                                                                                                  |
| <b>Arguments</b> | SYNCFieLd specifies to search on the sync field.<br>IDentifier specifies to search on the identifier.<br>DATA specifies to search on the data.<br>IDANDDATA specifies to search on the identifier and the data.<br>WAKEup specifies to search on wake up.<br>SLEEP specifies to search on sleep.<br>ERROR specifies to search on errors. |
| <b>Examples</b>  | SEARCH:SEARCH1:TRIGGER:A:BUS:B1:LIN:CONDITION? might return<br>SEARCH:SEARCH1:TRIGGER:A:BUS:B1:LIN:CONDITION SYNCFIELD<br>indicating a search on the sync field.                                                                                                                                                                         |

## SEARCH:SEARCH<x>:TRIGger:A:BUS:B<x>:LIN:DATA:HIVALue

This command specifies the high data value to be used in a LIN search, if the search condition is set to IDentifier or IDANDDATA (identifier and data). SEARCH<x> is the search number, which is always 1, and B<x> is the bus number 1-4.

|                         |                                                                                                                            |
|-------------------------|----------------------------------------------------------------------------------------------------------------------------|
| <b>Group</b>            | Search                                                                                                                     |
| <b>Syntax</b>           | SEARCH:SEARCH<x>:TRIGger:A:BUS:B<x>:LIN:DATA:HIVALue<br><QString><br>SEARCH:SEARCH<x>:TRIGger:A:BUS:B<x>:LIN:DATA:HIVALue? |
| <b>Related Commands</b> | <a href="#">SEARCH:SEARCH&lt;x&gt;:TRIGger:A:BUS:B&lt;x&gt;:LIN:CONDition</a>                                              |





SEARCH:SEARCH1:TRIGGER:A:BUS:B1:LIN:DATA:QUALIFIER? might return  
SEARCH:SEARCH1:TRIGGER:A:BUS:B1:LIN:DATA:QUALIFIER EQUAL  
indicating the data qualifier is equal.

## SEARCH:SEARCH<x>:TRIGger:A:BUS:B<x>:LIN:DATA:SIZE

This command specifies the length of the data string, in bytes, to be used in a LIN search, if the search condition is set to `IDentifier` or `IDANDDATA` (identifier and data). `SEARCH<x>` is the search number, which is always 1, and `B<x>` is the bus number 1-4.

**Group** Search

**Syntax** SEARCH:SEARCH<x>:TRIGger:A:BUS:B<x>:LIN:DATA:SIZE <NR1>  
SEARCH:SEARCH<x>:TRIGger:A:BUS:B<x>:LIN:DATA:SIZE?

**Related Commands** [SEARCH:SEARCH<x>:TRIGger:A:BUS:B<x>:LIN:CONDition](#)

**Arguments** <NR1> is the length of the data in bytes.

**Examples** SEARCH:SEARCH1:TRIGGER:A:BUS:B1:LIN:DATA:SIZE 8 sets the LIN data size is 8 bytes.

SEARCH:SEARCH1:TRIGGER:A:BUS:B1:LIN:DATA:SIZE? might return  
SEARCH:SEARCH1:TRIGGER:A:BUS:B1:LIN:DATA:SIZE 1 indicating that  
the LIN data size is 1 byte.

## SEARCH:SEARCH<x>:TRIGger:A:BUS:B<x>:LIN:DATA:VALue

This command specifies the data value to be used in a LIN search if the search condition is set to `IDentifier` or `IDANDDATA` (identifier and data). `SEARCH<x>` is the search number, which is always 1, and `B<x>` is the bus number 1-4.

**Group** Search

**Syntax** SEARCH:SEARCH<x>:TRIGger:A:BUS:B<x>:LIN:DATA:VALue <QString>  
SEARCH:SEARCH<x>:TRIGger:A:BUS:B<x>:LIN:DATA:VALue?

**Related Commands** [SEARCH:SEARCH<x>:TRIGger:A:BUS:B<x>:LIN:CONDition](#)

**Arguments** <QString> is the binary data string for the search.

**Examples** SEARCH:SEARCH1:TRIGGER:A:BUS:B1:LIN:DATA:VALUE? might return SEARCH:SEARCH1:TRIGGER:A:BUS:B1:LIN:DATA:VALUE "XXXXXXXX" indicating the data value is don't care.

## SEARCH:SEARCH<x>:TRIGger:A:BUS:B<x>:LIN:ERRTYPE

This command specifies the error type used for a LIN search. SEARCH<x> is the search number, which is always 1, and B<x> is the bus number 1-4.

**Group** Search

**Syntax** SEARCH:SEARCH<x>:TRIGger:A:BUS:B<x>:LIN:ERRTYPE  
{SYNC|PARity|Checksum|HEADertime|RESPTime|FRAMETIME}  
SEARCH:SEARCH<x>:TRIGger:A:BUS:B<x>:LIN:ERRTYPE?

**Arguments** SYNC specifies a sync error type.  
PARity specifies a parity error type.  
CHECKsum specifies a checksum error type.  
HEADertime specifies a header time error type.  
RESPTime specifies a response time error type.  
RAMETIME specifies a frame time error type.

**Examples** SEARCH:SEARCH1:TRIGGER:A:BUS:B1:LIN:ERRTYPE? might return SEARCH:SEARCH1:TRIGGER:A:BUS:B1:LIN:ERRTYPE SYNC indicating a SYNC error type.

## SEARCH:SEARCH<x>:TRIGger:A:BUS:B<x>:LIN:IDentifier:VALue

This command specifies the binary address string used for LIN search if search condition is set to IDentifier or IDANDDATA (identifier and data). SEARCH<x> is the search number, which is always 1, and B<x> is the bus number 1-4.

**Group** Search

**Syntax** SEARCH:SEARCH<x>:TRIGger:A:BUS:B<x>:LIN:IDentifier:VALue  
<QString>  
SEARCH:SEARCH<x>:TRIGger:A:BUS:B<x>:LIN:IDentifier:VALue?

**Related Commands** [SEARCH:SEARCH<x>:TRIGger:A:BUS:B<x>:LIN:CONDition](#)

**Arguments** <QString> is a quoted string specifying the binary address string to be used in a LIN search if the search condition is set to IDentifier or IDANDDATA (identifier and data).

**Examples** SEARCH:SEARCH1:TRIGGER:A:BUS:B1:LIN:IDENTIFIER:VALUE? might return SEARCH:SEARCH1:TRIGGER:A:BUS:B1:LIN:IDENTIFIER:VALUE "xxxxxx" indicating the binary address is undefined.

## SEARCH:SEARCH<x>:TRIGger:A:BUS:B<x>:MIL1553B:COMMAND:ADDRess:HIVALue

When the MIL-STD-1553 bus search condition is set to COMMAND, and the qualifier is set to INrange or OUTrange, this command specifies the upper limit of the range for the remote terminal address field. (Use the command [SEARCH:SEARCH<x>:TRIGger:A:BUS:B<x>:MIL1553B:COMMAND:ADDRess:VALue](#) to specify the lower limit of the range.) SEARCH<x> is the search number, which is always 1, and B<x> is the bus number 1-4.

**Conditions** This command requires a DPO4AERO application module.

**Group** Search

**Syntax** SEARCH:SEARCH<x>:TRIGger:A:BUS:B<x>:MIL1553B:COMMAND:  
ADDRess:HIVALue <QString>  
  
SEARCH:SEARCH<x>:TRIGger:A:BUS:B<x>:MIL1553B:COMMAND:  
ADDRess:HIVALue?

**Related Commands** [SEARCH:SEARCH<x>:TRIGger:A:BUS:B<x>:MIL1553B:CONDition](#)  
[SEARCH:SEARCH<x>:TRIGger:A:BUS:B<x>:MIL1553B:COMMAND:ADDRess:QUALifier](#)  
[SEARCH:SEARCH<x>:TRIGger:A:BUS:B<x>:MIL1553B:COMMAND:ADDRess:VALue](#)

**Arguments** QString is a quoted string of up to 5 characters where the allowable characters are 0, 1, and X.

**Examples** SEARCH:SEARCH1:TRIGger:A:BUS:B1:MIL1553B:HIVALue "01000" sets the upper limit of the remote terminal address range to 01000 (when the search condition has been set to MIL1553B, and the qualifier has been set to INrange or OUTrange).

SEARCH:SEARCH1:TRIGger:A:BUS:B1:MIL1553B:HIVALue? might return "XXXXX".

## SEARCH:SEARCH<x>:TRIGger:A:BUS:B<x>:MIL1553B:COMMAND:ADDRESS:VALue

When the MIL-STD-1553 bus search condition is set to COMMAND, and the qualifier is set to LESSthan, MOREthan, EQUAl, UNEQUAl, LESSEQUAl or MOREEQUAl, this command specifies the value of the 5-bit remote terminal address to be used in the search. When the MIL-STD-1553 bus search condition is set to COMMAND, and the qualifier is set to INrange or OUTrange, this command specifies the lower limit of the remote terminal address range. The default is all X's (don't care). SEARCH<x> is the search number, which is always 1, and B<x> is the bus number 1-4.

**Conditions** This command requires a DPO4AERO application module.

**Group** Search

**Syntax** SEARCH:SEARCH<x>:TRIGger:A:BUS:B<x>:MIL1553B:COMMAND:ADDRESS:VALue <QString>

SEARCH:SEARCH<x>:TRIGger:A:BUS:B<x>:MIL1553B:COMMAND:ADDRESS:VALue?

**Related Commands** [SEARCH:SEARCH<x>:TRIGger:A:BUS:B<x>:MIL1553B:CONDition](#)  
[SEARCH:SEARCH<x>:TRIGger:A:BUS:B<x>:MIL1553B:COMMAND:ADDRESS:HIVALue](#)  
[SEARCH:SEARCH<x>:TRIGger:A:BUS:B<x>:MIL1553B:COMMAND:ADDRESS:QUALifier](#)

**Arguments** QString is a quoted string of up to 5 characters, where the allowable characters are 0, 1, and X.

**Examples** SEARCH:SEARCH1:TRIGger:A:BUS:B1:MIL1553B:COMMAND:ADDRESS:VALUE "01000" sets the remote terminal address to be used in the search to 01000.

SEARCH:SEARCH1:TRIGger:A:BUS:B1:MIL1553B:COMMAND:ADDRESS:VALUE? might return 01000.

## SEARCH:SEARCH<x>:TRIGger:A:BUS:B<x>:MIL1553B:COMMAND:ADDRESS:QUALifier

When the MIL-STD-1553 bus search condition is set to COMMAND, this command specifies the qualifier to be used with the remote terminal address field. SEARCH<x> is the search number, which is always 1, and B<x> is the bus number 1-4.

**Conditions** This command requires a DPO4AERO application module.

**Group** Search

**Syntax** SEARCH:SEARCH<x>:TRIGger:A:BUS:B<x>:MIL1553B:COMMAND:ADDRESS:QUALifier {LESSthan|MOREthan|EQUAL|UNEQUAL|LESSEQUAL|MOREEQUAL|INrange|OUTrange}

SEARCH:SEARCH<x>:TRIGger:A:BUS:B<x>:MIL1553B:COMMAND:ADDRESS:QUALifier?

**Related Commands** [SEARCH:SEARCH<x>:TRIGger:A:BUS:B<x>:MIL1553B:COMMAND:ADDRESS:VALUE](#)

[SEARCH:SEARCH<x>:TRIGger:A:BUS:B<x>:MIL1553B:COMMAND:ADDRESS:HIVALue](#)

**Arguments** LESSthan sets the Command Address qualifier to less than.  
 MOREthan sets the Command Address qualifier to greater than.  
 EQUAL sets the Command Address qualifier to equal.  
 UNEQUAL sets the Command Address qualifier to not equal.  
 LESSEQUAL sets the Command Address qualifier to less than or equal.  
 MOREEQUAL sets the Command Address qualifier to greater than or equal.  
 INrange sets the Command Address qualifier to in range.  
 OUTrange sets the Command Address qualifier to out of range.

**Examples**     `SEARCH:SEARCH1:TRIGger:A:BUS:B1:MIL1553B:COMMAND:ADDRESS:QUALifier EQUAL` sets the qualifier to be used with the remote terminal address to equal.

`SEARCH:SEARCH1:TRIGger:A:BUS:B1:MIL1553B:COMMAND:ADDRESS:QUALifier?` might return INRANGE.

## **SEARCH:SEARCH<x>:TRIGger:A:BUS:B<x>:MIL1553B:COMMAND:COUNT**

When the MIL-STD-1553 bus search condition is set to `COMMAND`, this command specifies the bit pattern for the 5-bit Word Count/Mode Code sub-address field that is to be used in the search. (Use the command `SEARCH:SEARCH<x>:TRIGger:A:BUS:B<x>:MIL1553B:COMMAND:SUBADDRESS` to specify Word Count or Mode Code.) In Word Count mode, this field defines the number of data words that is to be transmitted, or received, depending on the T/R bit setting. (Use the command `SEARCH:SEARCH<x>:TRIGger:A:BUS:B<x>:MIL1553B:COMMAND:TRBit` to set the T/R bit.) A word count value of 0 actually indicates a transfer of 32 data words. `SEARCH<x>` is the search number, which is always 1, and `B<x>` is the bus number 1-4.

**Conditions**     This command requires a DPO4AERO application module.

**Group**            Search

**Syntax**           `SEARCH:SEARCH<x>:TRIGger:A:BUS:B<x>:MIL1553B:COMMAND:COUNT<Qstring>`  
`SEARCH:SEARCH<x>:TRIGger:A:BUS:B<x>:MIL1553B:COMMAND:COUNT?`

**Related Commands**     `SEARCH:SEARCH<x>:TRIGger:A:BUS:B<x>:MIL1553B:CONDITION`  
`SEARCH:SEARCH<x>:TRIGger:A:BUS:B<x>:MIL1553B:COMMAND:SUBADDRESS`  
`SEARCH:SEARCH<x>:TRIGger:A:BUS:B<x>:MIL1553B:COMMAND:TRBit`

**Arguments**        `Qstring` is a quoted string of up to 5 characters, where the allowable characters are 0, 1 and X.

**Examples**         `SEARCH:SEARCH1:TRIGger:A:BUS:B1:MIL1553B:COMMAND:COUNT"01000"` sets the bit pattern for the Word Count/Mode Code field to 01000.

`SEARCH:SEARCH1:TRIGger:A:BUS:B1:MIL1553B:COMMAND:COUNT?` might return "XXXXX".

## SEARCH:SEARCH<x>:TRIGger:A:BUS:B<x>:MIL1553B:COMMAND:PARity

When the MIL-STD-1553 bus search condition is set to **COMMAND**, this command specifies the Command word parity that is to be used in the search. **SEARCH<x>** is the search number, which is always 1, and **B<x>** is the bus number 1-4.

**Conditions** This command requires a DPO4AERO application module.

**Group** Search

**Syntax** SEARCH:SEARCH<x>:TRIGger:A:BUS:B<x>:MIL1553B:COMMAND:PARity  
{0|1|X|ZERO|ONE|NOCARE|OFF|ON}

SEARCH:SEARCH<x>:TRIGger:A:BUS:B<x>:MIL1553B:COMMAND:PARity?

**Related Commands** [SEARCH:SEARCH<x>:TRIGger:A:BUS:B<x>:MIL1553B:CONDition](#)

**Arguments** 0  
1  
X sets the value to X (“don’t care”) which is the default.  
ZERO sets the value to 0.  
ONE sets the value to 1.  
NOCARE sets the value to X (“don’t care”) which is the default.  
OFF sets the value to 0.  
ON sets the value to 1.

**Examples** SEARCH:SEARCH1:TRIGger:A:BUS:B1:MIL1553B:COMMAND:PARity ZERO sets the Command word parity bit to 0.

SEARCH:SEARCH1:TRIGger:A:BUS:B1:MIL1553B:COMMAND:PARity? might return 0, 1 or X.

## SEARCH:SEARCH<x>:TRIGger:A:BUS:B<x>:MIL1553B:COMMAND:SUBADdress

When the MIL-STD-1553 bus search condition is set to **COMMAND**, this command specifies the 5 bit sub-address that is to be used in the search. When the sub-address value is set to 00000 or 11111 binary, it specifies that the command is a “Mode Code” command. Any other value specifies that it is a “Word Count”

command. The default is all X's (don't care). SEARCH<x> is the search number, which is always 1, and B<x> is the bus number 1-4.

---

**NOTE.** *The sub-address field is used to direct data to different functions within the subsystem for values 1 — 30.*

---

**Conditions** This command requires a DPO4AERO application module.

**Group** Search

**Syntax** SEARCH:SEARCH<x>:TRIGger:A:BUS:B<x>:MIL1553B:COMMAND:  
SUBAddress <QString>

SEARCH:SEARCH<x>:TRIGger:A:BUS:B<x>:MIL1553B:COMMAND:  
SUBAddress?

**Related Commands** [SEARCH:SEARCH<x>:TRIGger:A:BUS:B<x>:MIL1553B:CONDition](#)  
[SEARCH:SEARCH<x>:TRIGger:A:BUS:B<x>:MIL1553B:COMMAND:  
COUNT](#)

**Arguments** QString is a quoted string of up to 5 characters, where the allowable characters are 0, 1, and X.

**Examples** SEARCH:SEARCH1:TRIGger:A:BUS:B1:MIL1553B:COMMAND:  
SUBAddress "01000" sets the sub-address to be used in the search to 01000.

## SEARCH:SEARCH<x>:TRIGger:A:BUS:B<x>:MIL1553B:COMMAND:TRBit

When the MIL-STD-1553 bus search condition is set to COMMAND, this command specifies that the transmit/receive bit (bit 9) is to be used in the search. The transmit/receive bit defines the direction of information flow, and is always from the point of view of the remote terminal. SEARCH<x> is the search number, which is always 1, and B<x> is the bus number 1-4.

**Conditions** This command requires a DPO4AERO application module.

**Group** Search



**Syntax** SEARCH:SEARCH<x>:TRIGger:A:BUS:B<x>:MIL1553B:COMMAND:TRBit  
{RX|TX|X}  
SEARCH:SEARCH<x>:TRIGger:A:BUS:B<x>:MIL1553B:COMMAND:TRBit?

**Related Commands** SEARCH:SEARCH<x>:TRIGger:A:BUS:B<x>:MIL1553B:CONDition  
SEARCH:SEARCH<x>:TRIGger:A:BUS:B<x>:MIL1553B:COMMAND:  
COUNT

**Arguments** RX (logic 0) directs the instrument to search for a TX or "transmit" from a remote terminal .  
  
TX (logic 1) directs the instrument to search for an RX or "receive" from a remote terminal.  
  
X indicates "don't care".

**Examples** TRIGger:A:BUS:B1:MIL1553B:COMMAND:TRBit TX directs the instrument to search for a TX or "transmit" from a remote terminal.  
  
TRIGger:A:BUS:B1:MIL1553B:COMMAND:TRBit TX? might return TX.

## SEARCH:SEARCH<x>:TRIGger:A:BUS:B<x>:MIL1553B:CONDition

This command specifies a word type or condition within a MIL-STD-1553 bus word to search for. SEARCH<x> is the search number, which is always 1, and B<x> is the bus number 1-4.

---

**NOTE.** *There are three types of MIL-STD-1553 (Aircraft) bus words: Command, Status, and Data, all sharing a common structure twenty bits in length. The first three bits are used as a synchronization field. The last bit is the odd parity of the previous 16 bits.*

---

**Conditions** This command requires a DPO4AERO application module.

**Group** Search

**Syntax** SEARCH:SEARCH<x>:TRIGger:A:BUS:B<x>:MIL1553B:CONDition  
{SYNC|COMMAND|STATUS|DATA|TIME|ERROR}  
  
SEARCH:SEARCH<x>:TRIGger:A:BUS:B<x>:MIL1553B:CONDition?

**Related Commands** Most of the other `SEARCH:SEARCH1:TRIGger:A:BUS:B<x>:MIL1553B` commands are impacted by the setting of this command.

[TRIGger:A:BUS:B<x>:MIL1553B:CONDition](#)

[BUS:B<x>:MIL1553B:SOUrce](#)

**Arguments** SYNC refers to the 3-bit sync pulse that precedes each word.

COMMAND is one of 3 16-bit word types. It specifies the function that a remote terminal is to perform.

STATUS is one of 3 16-bit word types. Remote terminals respond to valid message transmissions via status words.

DATA is one of 3 16-bit word types.

TIME specifies to search for either the RT (remote terminal response time), or the IMG (Inter-message Gap). Use the commands [SEARCH:SEARCH<x>:TRIGger:A:BUS:B<x>:MIL1553B:TIME:QUALifier](#), [SEARCH:SEARCH<x>:TRIGger:A:BUS:B<x>:MIL1553B:TIME:LESSLimit](#), and [SEARCH:SEARCH<x>:TRIGger:A:BUS:B<x>:MIL1553B:TIME:MORELimit](#) to specify the time parameters.

ERROR specifies to search for a signaling error. (You can specify which type of error — Parity, Sync, Manchester or Non-contiguous Data — by using the command [SEARCH:SEARCH<x>:TRIGger:A:BUS:B<x>:MIL1553B:ERRTYPE](#).)

**NOTE.** Use the

*SEARCH:SEARCH1:TRIGger:A:BUS:B<x>:MIL1553B:CONDition:STATus:BIT* commands to set the following bits:

9 — message error

*SEARCH:SEARCH<x>:TRIGger:A:BUS:B<x>:MIL1553B:STATus:BIT:ME*

10 — instrumentation

*SEARCH:SEARCH<x>:TRIGger:A:BUS:B<x>:MIL1553B:STATus:BIT:INSTR*

11 — SRQ (service request)

*SEARCH:SEARCH<x>:TRIGger:A:BUS:B<x>:MIL1553B:STATus:BIT:SRQ*

15 — BCR (broadcast command received)

*SEARCH:SEARCH<x>:TRIGger:A:BUS:B<x>:MIL1553B:STATus:BIT:BCR*

16 — busy

*SEARCH:SEARCH<x>:TRIGger:A:BUS:B<x>:MIL1553B:STATus:BIT:BUSY*

17 — subsystem flag

*SEARCH:SEARCH<x>:TRIGger:A:BUS:B<x>:MIL1553B:STATus:BIT:SUBSF*

18 — DBCA (dynamic bus control acceptance)

*SEARCH:SEARCH<x>:TRIGger:A:BUS:B<x>:MIL1553B:STATus:BIT:DBCA*

19 — terminal flag

*SEARCH:SEARCH<x>:TRIGger:A:BUS:B<x>:MIL1553B:STATus:BIT:TF*

**Examples**

`SEARCH:SEARCH1:TRIGger:A:BUS:B1:MIL1553B:CONDition STAT` sets the word type to search for to `STATUS`.

`SEARCH:SEARCH1:TRIGger:A:BUS:B1:MIL1553B:CONDition?` might return `DATA`.

## **SEARCH:SEARCH<x>:TRIGger:A:BUS:B<x>:MIL1553B:DATA:PARity**

When the MIL-STD-1553 bus search condition is set to `DATA`, this command specifies the data parity bit to be used in the search. Returned values are 0, 1, or X (don't care). `SEARCH<x>` is the search number, which is always 1, and `B<x>` is the bus number 1-4.

**Conditions**

This command requires a DPO4AERO application module.

**Group**

Search

**Syntax** SEARCH:SEARCH<x>:TRIGger:A:BUS:B<x>:MIL1553B:DATA:PARi ty  
 {0|1|X|ZERO|ONE|NOCARE|OFF|ON}  
 SEARCH:SEARCH<x>:TRIGger:A:BUS:B<x>:MIL1553B:DATA:PARi ty?

**Related Commands** [SEARCH:SEARCH<x>:TRIGger:A:BUS:B<x>:MIL1553B:CONDition](#)  
[SEARCH:SEARCH<x>:TRIGger:A:BUS:B<x>:MIL1553B:DATA:VALue](#)

**Arguments** 0  
 1  
 X sets the value to X (“don’t care”) which is the default.  
 ZERO sets the value to 0.  
 ONE sets the value to 1.  
 NOCARE sets the value to X (“don’t care”) which is the default.  
 OFF sets the value to 0.  
 ON sets the value to 1.

**Examples** SEARCH:SEARCH1:TRIGger:A:BUS:B1:MIL1553B:DATA:PARi ty 1 sets the data parity bit to be used in a MIL-STD-1553 bus search to 1.  
 SEARCH:SEARCH1:TRIGger:A:BUS:B1:MIL1553B:DATA:PARi ty? might return 0, indicating that the data parity bit to be used in a MIL-STD-1553 bus search is set to 0.

## SEARCH:SEARCH<x>:TRIGger:A:BUS:B<x>:MIL1553B:DATA:VALue

When the MIL-STD-1553 bus search condition is set to DATA, this command specifies the data binary pattern to be used in the search. This is a 16-bit field. SEARCH<x> is the search number, which is always 1, and B<x> is the bus number 1-4.

**Conditions** This command requires a DPO4AERO application module.

**Group** Search

**Syntax** SEARCH:SEARCH<x>:TRIGger:A:BUS:B<x>:MIL1553B:DATA:VALue  
 <Qstring>  
 SEARCH:SEARCH<x>:TRIGger:A:BUS:B<x>:MIL1553B:DATA:VALue?

**Related Commands** [SEARCH:SEARCH<x>:TRIGger:A:BUS:B<x>:MIL1553B:CONDition](#)  
[SEARCH:SEARCH<x>:TRIGger:A:BUS:B<x>:MIL1553B:DATA:PARity](#)

**Arguments** QString is a quoted string of up to 16 characters, where the allowable characters are 0, 1, and X.

**Examples** SEARCH:SEARCH1:TRIGger:A:BUS:B1:MIL1553B:DATA:VALue "01000" sets the data binary pattern to be used in a MIL-STD-1553 bus search to 01000.  
 SEARCH:SEARCH1:TRIGger:A:BUS:B1:MIL1553B:DATA:VALue? might return XXXXXXXXXXXX01000.

## SEARCH:SEARCH<x>:TRIGger:A:BUS:B<x>:MIL1553B:ERRTYPE

When the MIL-STD-1553 bus search condition is set to **ERROR**, this command specifies the signaling error type to be used in the search: Parity, Sync, Manchester or Data. SEARCH<x> is the search number, which is always 1, and B<x> is the bus number 1-4.

**Conditions** This command requires a DPO4AERO application module.

**Group** Search

**Syntax** SEARCH:SEARCH<x>:TRIGger:A:BUS:B<x>:MIL1553B:ERRTYPE  
 {PARity|SYNc|MANCHester|DATA}  
 SEARCH:SEARCH<x>:TRIGger:A:BUS:B<x>:MIL1553B:ERRTYPE?

**Related Commands** [SEARCH:SEARCH<x>:TRIGger:A:BUS:B<x>:MIL1553B:CONDition](#)

**Arguments** PARity — an incorrect parity setting.  
 SYNc — the high to low, or low to high transition doesn't happen in the middle of the sync time as it should.  
 MANCHester — no transition in a bit time.  
 DATA — a non-contiguous data error.

**Examples** SEARCH:SEARCH1:TRIGger:A:BUS:B1:MIL1553B:ERRTYPE PARity sets the error type to be used in the search to PARITY.

SEARCH:SEARCH1:TRIGger:A:BUS:B1:MIL1553B:ERRTYPE? might return SYNC.

## SEARCH:SEARCH<x>:TRIGger:A:BUS:B<x>:MIL1553B:STATus:ADDRes:HIVALue

When the MIL-STD-1553 bus search condition is set to STATus, and the qualifier is set to INrange or OUTrange, this command specifies the upper limit for the 5 bit remote terminal address field of the Status word. (Use the command [TRIGger:A:BUS:B<x>:MIL1553B:STATus:ADDRes:VALue](#) to specify the lower limit.) The default is all X's (don't care).SEARCH<x> is the search number, which is always 1, and B<x> is the bus number 1-4.

|                         |                                                                                                                                                                                                                                                                                                             |
|-------------------------|-------------------------------------------------------------------------------------------------------------------------------------------------------------------------------------------------------------------------------------------------------------------------------------------------------------|
| <b>Conditions</b>       | This command requires a DPO4AERO application module.                                                                                                                                                                                                                                                        |
| <b>Group</b>            | Search                                                                                                                                                                                                                                                                                                      |
| <b>Syntax</b>           | SEARCH:SEARCH<x>:TRIGger:A:BUS:B<x>:MIL1553B:STATus:ADDRes:HIVALue <QString><br><br>SEARCH:SEARCH<x>:TRIGger:A:BUS:B<x>:MIL1553B:STATus:ADDRes:HIVALue?                                                                                                                                                     |
| <b>Related Commands</b> | <a href="#">SEARCH:SEARCH&lt;x&gt;:TRIGger:A:BUS:B&lt;x&gt;:MIL1553B:CONDition</a><br><a href="#">SEARCH:SEARCH&lt;x&gt;:TRIGger:A:BUS:B&lt;x&gt;:MIL1553B:STATus:ADDRes:VALue</a><br><a href="#">SEARCH:SEARCH&lt;x&gt;:TRIGger:A:BUS:B&lt;x&gt;:MIL1553B:STATus:ADDRes:QUALifier</a>                      |
| <b>Arguments</b>        | QString is a quoted string of up to 5 characters, where the allowable characters are 0, 1, and X.                                                                                                                                                                                                           |
| <b>Examples</b>         | SEARCH:SEARCH1:TRIGger:A:BUS:B1:MIL1553B:HIVALue "01000" sets the upper limit of the range of the terminal address to 01000 (when the search condition is set to MIL1553B, and the qualifier is set to INrange or OUTrange).<br><br>SEARCH:SEARCH1:TRIGger:A:BUS:B1:MIL1553B:HIVALue? might return "XXXXX". |

## SEARCH:SEARCH<x>:TRIGger:A:BUS:B<x>:MIL1553B:STATus:ADDRess:QUALifier

When the MIL-STD-1553 bus search condition is set to **STATUS**, this command specifies the qualifier to be used with the address field. **SEARCH<x>** is the search number, which is always 1, and **B<x>** is the bus number 1-4.

**Conditions** This command requires a DPO4AERO application module.

**Group** Search

**Syntax** SEARCH:SEARCH<x>:TRIGger:A:BUS:B<x>:MIL1553B:STATus:ADDRess:QUALifier {LESSthan|MOREthan|EQUAL|UNEQUAL|LESSEQUAL|MOREEQUAL|INrange| OUTrange}

SEARCH:SEARCH<x>:TRIGger:A:BUS:B<x>:MIL1553B:STATus:ADDRess:QUALifier?

**Related Commands** [SEARCH:SEARCH<x>:TRIGger:A:BUS:B<x>:MIL1553B:CONDition](#)

[SEARCH:SEARCH<x>:TRIGger:A:BUS:B<x>:MIL1553B:STATus:ADDRess:QUALifier](#)

[SEARCH:SEARCH<x>:TRIGger:A:BUS:B<x>:MIL1553B:STATus:ADDRess:HIVALue](#)

[SEARCH:SEARCH<x>:TRIGger:A:BUS:B<x>:MIL1553B:STATus:ADDRess:VALue](#)

**Arguments** LESSthan sets the Status Address qualifier to less than.

MOREthan sets the Status Address qualifier to greater than.

EQUAL sets the Status Address qualifier to equal.

UNEQUAL sets the Status Address qualifier to not equal.

LESSEQUAL sets the Status Address qualifier to less than or equal.

MOREEQUAL sets the Status Address qualifier to greater than or equal.

INrange sets the Status Address qualifier to in range.

OUTrange sets the Status Address qualifier to out of range.

**Examples** SEARCH:SEARCH1:TRIGger:A:BUS:B1:MIL1553B:STATus:ADDRess:QUALifier MOREthan sets the qualifier to be used with the address field to greater than.

SEARCH:SEARCH1:TRIGger:A:BUS:B1:MIL1553B:STATus:ADDRESS:QUALifier? might return MORETHAN.

## SEARCH:SEARCH<x>:TRIGger:A:BUS:B<x>:MIL1553B:STATus:ADDRESS:VALue

When the MIL-STD-1553 bus search condition is set to **STATus**, and the qualifier is set to **LESSthan**, **MOREthan**, **EQua1**, **UNEQua1**, **LESSEQua1** or **MOREEQua1**, this command specifies the value of the 5-bit remote terminal address to be used in the search. When the MIL-STD-1553 bus search condition is set to **STATus**, and the qualifier is set to **INrange** or **OUTrange**, this command specifies the lower limit of the range. (Use the command [SEARCH:SEARCH<x>:TRIGger:A:BUS:B<x>:MIL1553B:STATus:ADDRESS:HIVALue](#) to specify the upper limit of the range.) The default is all X's (don't care). **SEARCH<x>** is the search number, which is always 1, and **B<x>** is the bus number 1-4.

|                         |                                                                                                                                                                                                                                                                                                                                                                                                                                                                                                 |
|-------------------------|-------------------------------------------------------------------------------------------------------------------------------------------------------------------------------------------------------------------------------------------------------------------------------------------------------------------------------------------------------------------------------------------------------------------------------------------------------------------------------------------------|
| <b>Conditions</b>       | This command requires a DPO4AERO application module.                                                                                                                                                                                                                                                                                                                                                                                                                                            |
| <b>Group</b>            | Search                                                                                                                                                                                                                                                                                                                                                                                                                                                                                          |
| <b>Syntax</b>           | SEARCH:SEARCH<x>:TRIGger:A:BUS:B<x>:MIL1553B:STATus:ADDRESS:VALue <QString><br>SEARCH:SEARCH<x>:TRIGger:A:BUS:B<x>:MIL1553B:STATus:ADDRESS:VALue?                                                                                                                                                                                                                                                                                                                                               |
| <b>Related Commands</b> | <a href="#">SEARCH:SEARCH&lt;x&gt;:TRIGger:A:BUS:B&lt;x&gt;:MIL1553B:CONDition</a><br><a href="#">SEARCH:SEARCH&lt;x&gt;:TRIGger:A:BUS:B&lt;x&gt;:MIL1553B:STATus:ADDRESS:QUALifier</a><br><a href="#">SEARCH:SEARCH&lt;x&gt;:TRIGger:A:BUS:B&lt;x&gt;:MIL1553B:STATus:ADDRESS:HIVALue</a>                                                                                                                                                                                                      |
| <b>Arguments</b>        | QString is a quoted string of up to 5 characters, where the allowable characters are 0, 1, and X.                                                                                                                                                                                                                                                                                                                                                                                               |
| <b>Examples</b>         | SEARCH:SEARCH1:TRIGger:A:BUS:B1:MIL1553B:STATus:ADDRESS:VALue "01000" sets the value of the 5-bit remote terminal address to be used in the search, when the qualifier has been set to <b>LESSthan</b> , <b>MOREthan</b> , <b>EQua1</b> , <b>UNEQua1</b> , <b>LESSEQua1</b> or <b>MOREEQua1</b> .<br><br>SEARCH:SEARCH1:TRIGger:A:BUS:B1:MIL1553B:STATus:ADDRESS:VALue "01000" sets the lower limit of the range to 01000, if the qualifier has been set to <b>INrange</b> or <b>OUTrange</b> . |



SEARCH:SEARCH1:TRIGger:A:BUS:B1:MIL1553B:STATus:ADDRESS:VALUE? might return "01000".

## SEARCH:SEARCH<x>:TRIGger:A:BUS:B<x>:MIL1553B:STATus:BIT:BCR

When the MIL-STD-1553 bus search condition is set to STATUS, this command specifies the status word broadcast command received (BCR) bit value (bit 15) to be used in the search. SEARCH<x> is the search number, which is always 1, and B<x> is the bus number 1-4.

**Conditions** This command requires a DPO4AERO application module.

**Group** Search

**Syntax** SEARCH:SEARCH<x>:TRIGger:A:BUS:B<x>:MIL1553B:STATus:BIT:BCR  
{0|1|X|ZERO|ONE|NOCARE|OFF|ON}  
  
SEARCH:SEARCH<x>:TRIGger:A:BUS:B<x>:MIL1553B:STATus:BIT:BCR?

**Related Commands** [SEARCH:SEARCH<x>:TRIGger:A:BUS:B<x>:MIL1553B:CONDition](#)

**Arguments** 0  
1  
X sets the value to X ("don't care") which is the default.  
ZERO sets the value to 0.  
ONE sets the value to 1.  
NOCARE sets the value to X ("don't care") which is the default.  
OFF sets the value to 0.  
ON sets the value to 1.

**Examples** SEARCH:SEARCH1:TRIGger:A:BUS:B1:MIL1553B:STATus:BIT:BCR  
NOCARE sets the BCR bit value to be used in the search to X.  
  
SEARCH:SEARCH1:TRIGger:A:BUS:B1:MIL1553B:STATus:BIT:BCR?  
might return 1.

## SEARCH:SEARCH<x>:TRIGger:A:BUS:B<x>:MIL1553B:STATus:BIT:BUSY

When the MIL-STD-1553 bus search condition is set to **STATus**, this command specifies the status word busy bit value (bit 16) to be used in the search. Returned values are 0, 1, or X (don't care, which is the default). **SEARCH<x>** is the search number, which is always 1, and **B<x>** is the bus number 1-4.

**Conditions** This command requires a DPO4AERO application module.

**Group** Search

**Syntax** SEARCH:SEARCH<x>:TRIGger:A:BUS:B<x>:MIL1553B:STATus:BIT:BUSY  
{0|1|X|ZERO|ONE|NOCARE|OFF|ON}

SEARCH:SEARCH<x>:TRIGger:A:BUS:B<x>:MIL1553B:STATus:BIT:BUSY?

**Related Commands** [SEARCH:SEARCH<x>:TRIGger:A:BUS:B<x>:MIL1553B:CONDition](#)

**Arguments** 0

1

X sets the value to X (“don't care”) which is the default.

ZERO sets the value to 0.

ONE sets the value to 1.

NOCARE sets the value to X (“don't care”) which is the default.

OFF sets the value to 0.

ON sets the value to 1.

**Examples** SEARCH:SEARCH1:TRIGger:A:BUS:B1:MIL1553B:STATus:BIT:BUSY  
NOCARE sets the status word busy bit value to be used in the search to X.

SEARCH:SEARCH1:TRIGger:A:BUS:B1:MIL1553B:STATus:BIT:BUSY?  
might return 1.

## SEARCH:SEARCH<x>:TRIGger:A:BUS:B<x>:MIL1553B:STATus:BIT:DBCA

When the MIL-STD-1553 bus search condition is set to **STATus**, this command specifies the status word dynamic bus control acceptance (DBCA) bit value (bit 18) to be used in the search. Returned values are 0, 1, or X (don't care, which

is the default). SEARCH<x> is the search number, which is always 1, and B<x> is the bus number 1-4.

**Conditions** This command requires a DPO4AERO application module.

**Group** Search

**Syntax** SEARCH:SEARCH<x>:TRIGger:A:BUS:B<x>:MIL1553B:STATus:BIT:DBCA  
{0|1|X|ZERO|ONE|NOCARE|OFF|ON}

SEARCH:SEARCH<x>:TRIGger:A:BUS:B<x>:MIL1553B:STATus:BIT:  
DBCA?

**Related Commands** [SEARCH:SEARCH<x>:TRIGger:A:BUS:B<x>:MIL1553B:CONDition](#)

**Arguments** 0

1

X sets the value to X (“don’t care”) which is the default.

ZERO sets the value to 0.

ONE sets the value to 1.

NOCARE sets the value to X (“don’t care”) which is the default.

OFF sets the value to 0.

ON sets the value to 1.

**Examples** SEARCH:SEARCH1:TRIGger:A:BUS:B1:MIL1553B:STATus:BIT:DBCA  
NOCARE sets the status word dynamic bus control acceptance (DBCA) bit value to be used in the search to X.

SEARCH:SEARCH1:TRIGger:A:BUS:B1:MIL1553B:STATus:BIT:DBCA?  
might return 1.

## SEARCH:SEARCH<x>:TRIGger:A:BUS:B<x>:MIL1553B:STATus:BIT:INSTR

When the MIL-STD-1553 bus search condition is set to STATus, this command specifies the status word instrumentation bit value (bit 10) to be used in the search. Returned values are 0, 1, or X (don’t care, which is the default). SEARCH<x> is the search number, which is always 1, and B<x> is the bus number 1-4.

**Conditions** This command requires a DPO4AERO application module.

**Group** Search

**Syntax** SEARCH:SEARCH<x>:TRIGger:A:BUS:B<x>:MIL1553B:STATUS:BIT:  
INSTR {0|1|X|ZERO|ONE|NOCARE|OFF|ON}

SEARCH:SEARCH<x>:TRIGger:A:BUS:B<x>:MIL1553B:STATUS:BIT:  
INSTR?

**Related Commands** [SEARCH:SEARCH<x>:TRIGger:A:BUS:B<x>:MIL1553B:CONDition](#)

**Arguments** 0

1

X sets the value to X (“don’t care”) which is the default.

ZERO sets the value to 0.

ONE sets the value to 1.

NOCARE sets the value to X (“don’t care”) which is the default.

OFF sets the value to 0.

ON sets the value to 1.

**Examples** SEARCH:SEARCH1:TRIGger:A:BUS:B1:MIL1553B:STATUS:BIT:INSTR  
NOCARE sets the status word status word instrumentation bit value to be used in  
the search to X.

SEARCH:SEARCH1:TRIGger:A:BUS:B1:MIL1553B:STATUS:BIT:INSTR?  
might return 1.

## SEARCH:SEARCH<x>:TRIGger:A:BUS:B<x>:MIL1553B:STATUS:BIT:ME

When the MIL-STD-1553 bus search condition is set to STATUS, this command specifies the status word message error bit value (bit 9) to be used in the search. Returned values are 0, 1, or X (don’t care, which is the default). SEARCH<x> is the search number, which is always 1, and B<x> is the bus number 1-4.

**Conditions** This command requires a DPO4AERO application module.

**Group** Search

**Syntax** SEARCH:SEARCH<x>:TRIGger:A:BUS:B<x>:MIL1553B:STATus:BIT:ME  
{0|1|X|ZERO|ONE|NOCARE|OFF|ON}  
  
SEARCH:SEARCH<x>:TRIGger:A:BUS:B<x>:MIL1553B:STATus:BIT:ME?

**Related Commands** [SEARCH:SEARCH<x>:TRIGger:A:BUS:B<x>:MIL1553B:CONDition](#)

**Arguments** 0  
1  
X sets the value to X (“don’t care”) which is the default.  
ZERO sets the value to 0.  
ONE sets the value to 1.  
NOCARE sets the value to X (“don’t care”) which is the default.  
OFF sets the value to 0.  
ON sets the value to 1.

**Examples** SEARCH:SEARCH1:TRIGger:A:BUS:B1:MIL1553B:STATus:BIT:ME  
NOCARE sets the status word message error bit value to be used in the search to X.  
  
SEARCH:SEARCH1:TRIGger:A:BUS:B1:MIL1553B:STATus:BIT:ME? might  
return 1.

## SEARCH:SEARCH<x>:TRIGger:A:BUS:B<x>:MIL1553B:STATus:BIT:SRQ

When the MIL-STD-1553 bus search condition is set to **STATus**, this command specifies the status word service request (SRQ) bit value (bit 11) to be used in the search. Returned values are 0, 1, or X (don’t care, which is the default). SEARCH<x> is the search number, which is always 1, and B<x> is the bus number 1-4.

**Conditions** This command requires a DPO4AERO application module.

**Group** Search

**Syntax** SEARCH:SEARCH<x>:TRIGger:A:BUS:B<x>:MIL1553B:STATUS:BIT:SRQ  
{0|1|X|ZERO|ONE|NOCARE|OFF|ON}

SEARCH:SEARCH<x>:TRIGger:A:BUS:B<x>:MIL1553B:STATUS:BIT:SRQ?

**Related Commands** [SEARCH:SEARCH<x>:TRIGger:A:BUS:B<x>:MIL1553B:CONDition](#)

**Examples** SEARCH:SEARCH1:TRIGger:A:BUS:B1:MIL1553B:STATUS:BIT:SRQ  
NOCARE sets the status word SRQ bit value to be used in the search to X.

SEARCH:SEARCH1:TRIGger:A:BUS:B1:MIL1553B:STATUS:BIT:SRQ?  
might return 1.

## SEARCH:SEARCH<x>:TRIGger:A:BUS:B<x>:MIL1553B:STATUS:BIT:SUBSF

When the MIL-STD-1553 bus search condition is set to STATUS, this command specifies the status word subsystem flag bit value (bit 17) to be used in the search. Returned values are 0, 1, or X (don't care, which is the default). SEARCH<x> is the search number, which is always 1, and B<x> is the bus number 1-4.

**Conditions** This command requires a DPO4AERO application module.

**Group** Search

**Syntax** SEARCH:SEARCH<x>:TRIGger:A:BUS:B<x>:MIL1553B:STATUS:BIT:  
SUBSF {0|1|X|ZERO|ONE|NOCARE|OFF|ON}

SEARCH:SEARCH<x>:TRIGger:A:BUS:B<x>:MIL1553B:STATUS:BIT:  
SUBSF?

**Related Commands** [SEARCH:SEARCH<x>:TRIGger:A:BUS:B<x>:MIL1553B:CONDition](#)

**Arguments** 0

1

X sets the value to X (“don't care”) which is the default.

ZERO sets the value to 0.

ONE sets the value to 1.

NOCARE sets the value to X (“don't care”) which is the default.

OFF sets the value to 0.

ON sets the value to 1.

**Examples** SEARCH:SEARCH1:TRIGger:A:BUS:B1:MIL1553B:STATus:BIT:SUBSF NOCARE sets the status word subsystem flag bit value to be used in the search to X.

SEARCH:SEARCH1:TRIGger:A:BUS:B1:MIL1553B:STATus:BIT:SUBSF? might return 1.

## SEARCH:SEARCH<x>:TRIGger:A:BUS:B<x>:MIL1553B:STATus:BIT:TF

When the MIL-STD-1553 bus search condition is set to STATus, this command specifies the status word terminal flag bit value (bit 19) to be used in the search. Returned values are 0, 1, or X (don't care, which is the default). SEARCH<x> is the search number, which is always 1, and B<x> is the bus number 1-4.

**Conditions** This command requires a DPO4AERO application module.

**Group** Search

**Syntax** SEARCH:SEARCH<x>:TRIGger:A:BUS:B<x>:MIL1553B:STATus:BIT:TF {0|1|X|ZERO|ONE|NOCARE|OFF|ON}

SEARCH:SEARCH<x>:TRIGger:A:BUS:B<x>:MIL1553B:STATus:BIT:TF?

**Related Commands** [SEARCH:SEARCH<x>:TRIGger:A:BUS:B<x>:MIL1553B:CONDition](#)

**Arguments**

0

1

X sets the value to X (“don't care”) which is the default.

ZERO sets the value to 0.

ONE sets the value to 1.

NOCARE sets the value to X (“don't care”) which is the default.

OFF sets the value to 0.

ON sets the value to 1.

**Examples**     `SEARCH:SEARCH1:TRIGger:A:BUS:B1:MIL1553B:STATus:BIT:TF`  
 NOCARE sets the status word terminal flag bit value to be used in the search to X.

`SEARCH:SEARCH1:TRIGger:A:BUS:B1:MIL1553B:STATus:BIT:TF?` might  
 return 1.

## **SEARCH:SEARCH<x>:TRIGger:A:BUS:B<x>:MIL1553B:STATus:PARity**

When the MIL-STD-1553 bus search condition is set to `STATus`, this command specifies the status parity bit value to be used in the search. Returned values are 0, 1, or X (don't care, which is the default). `SEARCH<x>` is the search number, which is always 1, and `B<x>` is the bus number 1-4.

**Conditions**     This command requires a DPO4AERO application module.

**Group**     Search

**Syntax**     `SEARCH:SEARCH<x>:TRIGger:A:BUS:B<x>:MIL1553B:STATus:PARity`  
`{0|1|X|ZERO|ONE|NOCARE|OFF|ON}`

`SEARCH:SEARCH<x>:TRIGger:A:BUS:B<x>:MIL1553B:STATus:PARity?`

**Related Commands**     [SEARCH:SEARCH<x>:TRIGger:A:BUS:B<x>:MIL1553B:CONDition](#)

**Arguments**     0  
 1

X sets the value to X (“don't care”) which is the default.

ZERO sets the value to 0.

ONE sets the value to 1.

NOCARE sets the value to X (“don't care”) which is the default.

OFF sets the value to 0.

ON sets the value to 1.

**Examples**     `SEARCH:SEARCH1:TRIGger:A:BUS:B1:MIL1553B:STATus:PARity`  
 ONE sets the parity bit value to be used in the search to  
 1. `SEARCH:SEARCH1:TRIGger:A:BUS:B1:MIL1553B:STATus:PARity?`  
 might return X, indicating that the parity doesn't matter.



## SEARCH:SEARCH<x>:TRIGger:A:BUS:B<x>:MIL1553B:TIME:LESSLimit

When the MIL-STD-1553 bus search condition is set to TIME, this command specifies either the minimum remote terminal response time (RT) limit for the amount of time the terminal has to transmit, or it specifies the minimum inter-message gap (IMG). (You can specify RT or IMG using the [SEARCH:SEARCH<x>:TRIGger:A:BUS:B<x>:MIL1553B:CONDition](#) TIME command.) SEARCH<x> is the search number, which is always 1, and B<x> is the bus number 1-4.

**Conditions** This command requires a DPO4AERO application module.

**Group** Search

**Syntax** SEARCH:SEARCH<x>:TRIGger:A:BUS:B<x>:MIL1553B:TIME:LESSLimit  
<NR3>  
SEARCH:SEARCH<x>:TRIGger:A:BUS:B<x>:MIL1553B:TIME:LESSLimit?

**Related Commands** [SEARCH:SEARCH<x>:TRIGger:A:BUS:B<x>:MIL1553B:CONDition](#)  
[SEARCH:SEARCH<x>:TRIGger:A:BUS:B<x>:MIL1553B:TIME:MORELimit](#)

**Arguments** <NR3> is a floating point number that specifies either the minimum remote terminal response time (RT) or the inter-message gap (IMG) in seconds.

**Examples** SEARCH:SEARCH1:TRIGger:A:BUS:B1:MIL1553B:TIME:LESSLimit  
3.0000e-6 would set either the remote terminal response time (RT) or the inter-message gap (IMG) to 3.00  $\mu$ S.

SEARCH:SEARCH1:TRIGger:A:BUS:B1:MIL1553B:TIME:LESSLimit?  
might return 2.0000e-6, indicating that the RT or IMG has been set to 2.00  $\mu$ S.

## SEARCH:SEARCH<x>:TRIGger:A:BUS:B<x>:MIL1553B:TIME:MORELimit

When the MIL-STD-1553 bus search condition is set to TIME, this command specifies either the maximum remote terminal response time (RT) limit for the amount of time the terminal has to transmit, or it specifies the maximum inter-message gap (IMG). (You can specify RT or IMG using the [SEARCH:SEARCH<x>:TRIGger:A:BUS:B<x>:MIL1553B:CONDition](#) TIME command.) SEARCH<x> is the search number, which is always 1, and B<x> is the bus number 1-4.

**Conditions** This command requires installation of a DPO4AERO application module.

|                         |                                                                                                                                                                                                                                                                                                                                                         |
|-------------------------|---------------------------------------------------------------------------------------------------------------------------------------------------------------------------------------------------------------------------------------------------------------------------------------------------------------------------------------------------------|
| <b>Group</b>            | Search                                                                                                                                                                                                                                                                                                                                                  |
| <b>Syntax</b>           | SEARCH:SEARCH<x>:TRIGger:A:BUS:B<x>:MIL1553B:TIME:MORELimit<br><NR3><br>SEARCH:SEARCH<x>:TRIGger:A:BUS:B<x>:MIL1553B:TIME:MORELimit?                                                                                                                                                                                                                    |
| <b>Related Commands</b> | <a href="#">SEARCH:SEARCH&lt;x&gt;:TRIGger:A:BUS:B&lt;x&gt;:MIL1553B:CONDition</a><br><a href="#">SEARCH:SEARCH&lt;x&gt;:TRIGger:A:BUS:B&lt;x&gt;:MIL1553B:TIME:LESSLimit</a>                                                                                                                                                                           |
| <b>Arguments</b>        | <NR3> is a floating point number that specifies either the maximum remote terminal response time (RT) or the inter-message gap (IMG) in seconds.                                                                                                                                                                                                        |
| <b>Examples</b>         | SEARCH:SEARCH1:TRIGger:A:BUS:B1:MIL1553B:TIME:MORELimit<br>80.0000e-6 would set either the remote terminal response time (RT) or the inter-message gap (IMG) to be used in the search to 80.0 µS.<br><br>SEARCH:SEARCH1:TRIGger:A:BUS:B1:MIL1553B:TIME:MORELimit?<br>might return 100.0000e-6, indicating that the RT or IMG has been set to 100.00 µS. |

## SEARCH:SEARCH<x>:TRIGger:A:BUS:B<x>:MIL1553B:TIME:QUALifier

When the MIL-STD-1553 bus search condition is set to TIME, this command specifies the search data time qualifier. (This includes a smaller set of arguments than other qualifier commands.)B<x> is the bus number 1-4.

|                         |                                                                                                                                                                                                                                                                          |
|-------------------------|--------------------------------------------------------------------------------------------------------------------------------------------------------------------------------------------------------------------------------------------------------------------------|
| <b>Group</b>            | Search                                                                                                                                                                                                                                                                   |
| <b>Syntax</b>           | SEARCH:SEARCH<x>:TRIGger:A:BUS:B<x>:MIL1553B:TIME:QUALifier<br>{LESSthan MOREthan INrange OUTrange}<br><br>SEARCH:SEARCH<x>:TRIGger:A:BUS:B<x>:MIL1553B:TIME:QUALifier?                                                                                                  |
| <b>Related Commands</b> | <a href="#">SEARCH:SEARCH&lt;x&gt;:TRIGger:A:BUS:B&lt;x&gt;:MIL1553B:CONDition</a><br><a href="#">SEARCH:SEARCH&lt;x&gt;:TRIGger:A:BUS:B&lt;x&gt;:MIL1553B:TIME:LESSLimit</a><br><a href="#">SEARCH:SEARCH&lt;x&gt;:TRIGger:A:BUS:B&lt;x&gt;:MIL1553B:TIME:MORELimit</a> |
| <b>Arguments</b>        | LESSthan sets the Time qualifier to less than minimum.<br>MOREthan sets the Time qualifier to greater than maximum<br>INrange sets the Time qualifier to inside range.                                                                                                   |

OUTrange sets the Time qualifier to out of range.

**Examples** SEARCH:SEARCH1:TRIGger:A:BUS:B1:MIL1553B:TIME:QUALifier  
LESSthan sets the Time qualifier to less than minimum.

SEARCH:SEARCH1:TRIGger:A:BUS:B1:MIL1553B:TIME:QUALifier?  
might return OUTRANGE.

## SEARCH:SEARCH<x>:TRIGger:A:BUS:B<x>:PARAllel:VALue

This command specifies the data value to be used in a Parallel search. SEARCH<x> is the search number and B<x> is the bus number 1-4. SEARCH<x> is the search number, which is always 1, and B<x> is the bus number 1-4.

**Group** Search

**Syntax** SEARCH:SEARCH<x>:TRIGger:A:BUS:B<x>:PARAllel:VALue <QString>  
SEARCH:SEARCH<x>:TRIGger:A:BUS:B<x>:PARAllel:VALue?

**Arguments** <QString> is the binary data string.

## SEARCH:SEARCH<x>:TRIGger:A:BUS:B<x>:RS232C:CONDition

This command specifies the condition to be used in an RS-232 search. SEARCH<x> is the search number, which is always 1, and B<x> is the bus number 1-4.

**Conditions** This command requires a DPO4COMP application module.

**Group** Search

**Syntax** SEARCH:SEARCH<x>:TRIGger:A:BUS:B<x>:RS232C:CONDition  
{RXSTArt | RXDATA | RXENDPacket | TXSTArt | TXDATA | TXENDPacket}  
SEARCH:SEARCH<x>:TRIGger:A:BUS:B<x>:RS232C:CONDition?

**Arguments** RXSTArt specifies a search based on the RX Start Bit.  
RXDATA specifies a search based on RX Data.  
RXENDPacket specifies a search based on the RX End of Packet condition.  
TXSTArt specifies a search base on the TX Start Bit.

TXDATA specifies a search based on TX Data.

TXENDPacket specifies a search based on the TX End of Packet condition.

## SEARCH:SEARCH<x>:TRIGger:A:BUS:B<x>:RS232C:RX:DATA:SIZE

This command specifies the length of the data string to be used in an RS-232 search, if the search condition is set to RXDATA. SEARCH<x> is the search number, which is always 1, and B<x> is the bus number 1-4.

**Conditions** This command requires a DPO4COMP application module.

**Group** Search

**Syntax** SEARCH:SEARCH<x>:TRIGger:A:BUS:B<x>:RS232C:RX:DATA:SIZE  
SEARCH:SEARCH<x>:TRIGger:A:BUS:B<x>:RS232C:RX:DATA:SIZE?

**Related Commands** [SEARCH:SEARCH<x>:TRIGger:A:BUS:B<x>:RS232C:CONDition](#)

**Arguments** <NR1> is the length of the data string in Bytes.

## SEARCH:SEARCH<x>:TRIGger:A:BUS:B<x>:RS232C:RX:DATA:VALue

This command specifies the data value to be used in an RS-232 search, if the condition is set to RXDATA. SEARCH<x> is the search number, which is always 1, and B<x> is the bus number 1-4.

**Conditions** This command requires a DPO4COMP application module.

**Group** Search

**Syntax** SEARCH:SEARCH<x>:TRIGger:A:BUS:B<x>:RS232C:RX:DATA:VALue  
SEARCH:SEARCH<x>:TRIGger:A:BUS:B<x>:RS232C:RX:DATA:VALue?

**Related Commands** [SEARCH:SEARCH<x>:TRIGger:A:BUS:B<x>:RS232C:CONDition](#)

**SEARCH:SEARCH<x>:TRIGger:A:BUS:B<x>:RS232C:TX:DATA:SIZE**

This command specifies the length of the data string to be used for an RS-232 search if the search condition is set to TXDATA. SEARCH<x> is the search number, which is always 1, and B<x> is the bus number 1-4.

**Conditions** This command requires a DPO4COMP application module.

**Group** Search

**Syntax** SEARCH:SEARCH<x>:TRIGger:A:BUS:B<x>:RS232C:TX:DATA:SIZE  
SEARCH:SEARCH<x>:TRIGger:A:BUS:B<x>:RS232C:TX:DATA:SIZE?

**Related Commands** [SEARCH:SEARCH<x>:TRIGger:A:BUS:B<x>:RS232C:CONDition](#)

**Arguments** <NR1> is the length of the data string in Bytes.

**SEARCH:SEARCH<x>:TRIGger:A:BUS:B<x>:RS232C:TX:DATA:VALue**

This command specifies the data value to be used for an RS-232 search, if the condition is set to RXDATA. SEARCH<x> is the search number, which is always 1, and B<x> is the bus number 1-4.

**Conditions** This command requires a DPO4COMP application module.

**Group** Search

**Syntax** SEARCH:SEARCH<x>:TRIGger:A:BUS:B<x>:RS232C:TX:DATA:VALue  
SEARCH:SEARCH<x>:TRIGger:A:BUS:B<x>:RS232C:TX:DATA:VALue?

**Related Commands** [SEARCH:SEARCH<x>:TRIGger:A:BUS:B<x>:RS232C:CONDition](#)

**SEARCH:SEARCH<x>:TRIGger:A:BUS:B<x>:SPI:CONDition**

This command specifies the search condition for a SPI search. SEARCH<x> is the search number, which is always 1, and B<x> is the bus number 1-4.

**Conditions** This command requires a DPO4EMBD application module.

|                         |                                                                                                                                                                                                                                                                                                                                                                                                                                                                                                                                                           |
|-------------------------|-----------------------------------------------------------------------------------------------------------------------------------------------------------------------------------------------------------------------------------------------------------------------------------------------------------------------------------------------------------------------------------------------------------------------------------------------------------------------------------------------------------------------------------------------------------|
| <b>Group</b>            | Search                                                                                                                                                                                                                                                                                                                                                                                                                                                                                                                                                    |
| <b>Syntax</b>           | SEARCH:SEARCH<x>:TRIGger:A:BUS:B<x>:SPI:CONDition<br>{SS STARTofframe MISO MOSI MISOMOSI}<br><br>SEARCH:SEARCH<x>:TRIGger:A:BUS:B<x>:SPI:CONDition?                                                                                                                                                                                                                                                                                                                                                                                                       |
| <b>Related Commands</b> | <a href="#">BUS:B&lt;x&gt;:SPI:IDLETime</a> ,<br><a href="#">BUS:B&lt;x&gt;:SPI:FRAMING</a>                                                                                                                                                                                                                                                                                                                                                                                                                                                               |
| <b>Arguments</b>        | SS specifies a search based on the Slave Selection condition.<br><br>STARTofframe is applicable when BUS:B<x>:SPI:FRAMING is set to IDLEtime. When the search condition is set to STARTofframe, the instrument searches on the first SPI clock after an idle time when there are no clocks.<br><br>MISO specifies a search based on the Master-In Slave-Out condition.<br><br>MOSI specifies a search based on the Master-Out Slave-In condition.<br><br>MISOMOSI specifies a search based on the Master-In Slave-Out and Master-Out Slave-In conditions. |

## SEARCH:SEARCH<x>:TRIGger:A:BUS:B<x>:SPI:DATA{MISO|IN}:VALue

This command specifies the data in value to be used in an SPI search, if the search condition is set to MISO or MISOMOSI. SEARCH<x> is the search number, which is always 1, and B<x> is the bus number 1-4.

|                         |                                                                                                                                           |
|-------------------------|-------------------------------------------------------------------------------------------------------------------------------------------|
| <b>Conditions</b>       | This command requires a DPO4EMBD application module.                                                                                      |
| <b>Group</b>            | Search                                                                                                                                    |
| <b>Syntax</b>           | SEARCH:SEARCH<x>:TRIGger:A:BUS:B<x>:SPI:DATA{MISO IN}:<br>VALue <bin><br>SEARCH:SEARCH<x>:TRIGger:A:BUS:B<x>:SPI:DATA{MISO IN}:<br>VALue? |
| <b>Related Commands</b> | <a href="#">SEARCH:SEARCH&lt;x&gt;:TRIGger:A:BUS:B&lt;x&gt;:SPI:CONDition</a>                                                             |
| <b>Arguments</b>        | <bin> is the data string in binary format.                                                                                                |

**SEARCH:SEARCH<x>:TRIGger:A:BUS:B<x>:SPI:DATA{MOSI|OUT}:VALue**

This command specifies the data out value to be used in an SPI search if the search condition is set to MOSI, or MISOMOSI. SEARCH<x> is the search number, which is always 1, and B<x> is the bus number 1-4.

**Conditions** This command requires a DPO4EMBD application module.

**Group** Search

**Syntax** SEARCH:SEARCH<x>:TRIGger:A:BUS:B<x>:SPI:DATA{MOSI|OUT}:  
VALue <bin>  
SEARCH:SEARCH<x>:TRIGger:A:BUS:B<x>:SPI:DATA{MOSI|OUT}:  
VALue?

**Related Commands** [SEARCH:SEARCH<x>:TRIGger:A:BUS:B<x>:SPI:CONDition](#)

**Arguments** <bin> is the data in binary format.

**SEARCH:SEARCH<x>:TRIGger:A:BUS:B<x>:SPI:DATA:SIZE**

This command specifies the length of the data string to be used in an SPI search, if the search condition is MISO, MOSI, or MISOMOSI. SEARCH<x> is the search number, which is always 1, and B<x> is the bus number 1-4.

**Conditions** This command requires a DPO4EMBD application module.

**Group** Search

**Syntax** SEARCH:SEARCH<x>:TRIGger:A:BUS:B<x>:SPI:DATA:SIZE <NR1>  
SEARCH:SEARCH<x>:TRIGger:A:BUS:B<x>:SPI:DATA:SIZE?

**Related Commands** [SEARCH:SEARCH<x>:TRIGger:A:BUS:B<x>:SPI:CONDition](#)

**Arguments** <NR1> is the data string length in bytes.

## SEARCH:SEARCH<x>:TRIGger:A:BUS:B<x>:USB:ADDRes:HIVALue

This command specifies the upper limit of the address string for the inside-of-range and outside-of-range qualifiers to be used in aUSB search. Use the command [SEARCH:SEARCH<x>:TRIGger:A:BUS:B<x>:USB:ADDRes:VALue](#) to set the lower limit. SEARCH<x> is the search number, which is always 1, and B<x> is the bus number 1-4.

|                         |                                                                                                                                                                                                                                                                                                                            |
|-------------------------|----------------------------------------------------------------------------------------------------------------------------------------------------------------------------------------------------------------------------------------------------------------------------------------------------------------------------|
| <b>Conditions</b>       | This command requires the DPO4USB application module.                                                                                                                                                                                                                                                                      |
| <b>Group</b>            | Search                                                                                                                                                                                                                                                                                                                     |
| <b>Syntax</b>           | SEARCH:SEARCH<x>:TRIGger:A:BUS:B<x>:USB:ADDRes:HIVALue<br><QString><br>SEARCH:SEARCH<x>:TRIGger:A:BUS:B<x>:USB:ADDRes:HIVALue?                                                                                                                                                                                             |
| <b>Related Commands</b> | <a href="#">SEARCH:SEARCH&lt;x&gt;:TRIGger:A:BUS:B&lt;x&gt;:USB:CONDition</a> ,<br><a href="#">SEARCH:SEARCH&lt;x&gt;:TRIGger:A:BUS:B&lt;x&gt;:USB:ADDRes:VALue</a>                                                                                                                                                        |
| <b>Arguments</b>        | <QString> within the range 0000000 to 1111111 (00 hex to 7F hex).                                                                                                                                                                                                                                                          |
| <b>Examples</b>         | SEARCH:SEARCH1:TRIGGER:A:BUS:B1:USB:ADDRESS:HIVALUE<br>"0001000" sets the upper limit to binary 0001000 (08 hex).<br><br>SEARCH:SEARCH1:TRIGGER:A:BUS:B1:USB:ADDRESS:HIVALUE? might<br>return :SEARCH:SEARCH1:TRIGGER:A:BUS:B1:USB:ADDRESS:HIVALUE<br>"1111111", which indicates that the upper limit is 1111111 (7F hex). |

## SEARCH:SEARCH<x>:TRIGger:A:BUS:B<x>:USB:ADDRes:VALue

This command specifies the address value for the lower limit for inside-of-range and outside-of-range qualifiers to be used in a USB search. SEARCH<x> is the search number, which is always 1, and B<x> is the bus number 1-4.

|                   |                                                                   |
|-------------------|-------------------------------------------------------------------|
| <b>Conditions</b> | This command requires the DPO4USB application module.             |
| <b>Group</b>      | Search                                                            |
| <b>Syntax</b>     | SEARCH:SEARCH<x>:TRIGger:A:BUS:B<x>:USB:ADDRes:VALue<br><QString> |



SEARCH:SEARCH<x>:TRIGger:A:BUS:B<x>:USB:ADdResS:VALue?

**Related Commands** [SEARCH:SEARCH<x>:TRIGger:A:BUS:B<x>:USB:CONDition](#)

**Arguments** <QString> within the range 0000000 to 1111111 (00 hex to 7F hex).

**Examples** SEARCH:SEARCH1:TRIGGER:A:BUS:B1:USB:ADDRESS:VALUE "0001000" sets the binary address to 0001000 (08 hex).

SEARCH:SEARCH1:TRIGGER:A:BUS:B1:USB:ADDRESS:VALUE? might return :SEARCH:SEARCH1:TRIGGER:A:BUS:B1:USB:ADDRESS:VALUE "1000000", which indicates that the binary address is 100000 (40 hex).

## SEARCH:SEARCH<x>:TRIGger:A:BUS:B<x>:USB:CONDition

This command specifies the search condition for a USB search. SEARCH<x> is the search number, which is always 1, and B<x> is the bus number 1-4.

**Conditions** This command requires the DPO4USB application module.

**Group** Search

**Syntax** SEARCH:SEARCH<x>:TRIGger:A:BUS:B<x>:USB:CONDition {SYNC|RESET|SUSPEND|RESUME|EOP|TOKENPacket|DATAPacket|HANDSHAKEPacket|SPECIALPacket|ERROR}

SEARCH:SEARCH<x>:TRIGger:A:BUS:B<x>:USB:CONDition?

**Arguments** SYNC specifies to search for a Sync field of a packet.  
 RESET specifies to search for a reset condition.  
 SUSPEND specifies to search for a suspend condition.  
 RESUME specifies to search for a resume condition.  
 EOP specifies to search for an end-of-packet signal.  
 TOKENPacket specifies to search for a token packet.  
 DATAPacket specifies to search for a data packet  
 HANDSHAKEPacket specifies to search for a handshake packet.  
 SPECIALPacket specifies to search for a special status packet.

ERROR specifies to search for an error condition.

**Examples** SEARCH:SEARCH1:TRIGGER:A:BUS:B1:USB:CONDITION TOKENPACKET sets the search condition to be a token packet.

SEARCH:SEARCH1:TRIGGER:A:BUS:B1:USB:CONDITION? might return :SEARCH:SEARCH1:TRIGGER:A:BUS:B1:USB:CONDITION SYNC, which indicates that the search condition is a sync field.

## SEARCH:SEARCH<x>:TRIGger:A:BUS:B<x>:USB:DATA:HIVALue

This command specifies the upper limit data value for the inside-of-range and outside-of-range qualifiers to be used in a USB search, when the search condition is set to DATAPacket. Use the command [SEARCH:SEARCH<x>:TRIGger:A:BUS:B<x>:USB:DATA:VALue](#) to set the lower limit. SEARCH<x> is the search number, which is always 1, and B<x> is the bus number 1-4.

**Conditions** This command requires the DPO4USB application module.

**Group** Search

**Syntax** SEARCH:SEARCH<x>:TRIGger:A:BUS:B<x>:USB:DATA:HIVALue  
<Qstring>  
SEARCH:SEARCH<x>:TRIGger:A:BUS:B<x>:USB:DATA:HIVALue?

**Related Commands** [SEARCH:SEARCH<x>:TRIGger:A:BUS:B<x>:USB:CONDition](#),  
[SEARCH:SEARCH<x>:TRIGger:A:BUS:B<x>:USB:DATA:VALue](#)

**Arguments** <Qstring> within the range 00000000 to 11111111 (00 hex to FF hex).

**Examples** SEARCH:SEARCH1:TRIGGER:A:BUS:B1:USB:DATA:HIVALUE "00001000" sets the upper limit to binary 00001000 (08 hex).

SEARCH:SEARCH1:TRIGGER:A:BUS:B1:USB:DATA:HIVALUE? might return :SEARCH:SEARCH1:TRIGGER:A:BUS:B1:USB:DATA:HIVALUE "01111111", which indicates that the upper limit is 01111111 (7F hex).

## SEARCH:SEARCH<x>:TRIGger:A:BUS:B<x>:USB:DATA:OFFSet

This command specifies the data offset in bytes to search for in a USB search. The minimum and default values are 0 and the maximum is 1024. SEARCH<x> is the search number, which is always 1, and B<x> is the bus number 1-4.

|                   |                                                                                                                                                                                                                                                                  |
|-------------------|------------------------------------------------------------------------------------------------------------------------------------------------------------------------------------------------------------------------------------------------------------------|
| <b>Conditions</b> | This command requires the DPO4USB application module.                                                                                                                                                                                                            |
| <b>Group</b>      | Search                                                                                                                                                                                                                                                           |
| <b>Syntax</b>     | SEARCH:SEARCH<x>:TRIGger:A:BUS:B<x>:USB:DATA:OFFSet <NR1><br>SEARCH:SEARCH<x>:TRIGger:A:BUS:B<x>:USB:DATA:OFFSet?                                                                                                                                                |
| <b>Arguments</b>  | <NR1> is number in the range 0 to 1024.                                                                                                                                                                                                                          |
| <b>Examples</b>   | SEARCH:SEARCH1:TRIGGER:A:BUS:B1:USB:DATA:OFFSET 36 sets the data offset to 36.<br><br>SEARCH:SEARCH1:TRIGGER:A:BUS:B1:USB:DATA:OFFSET? might return :SEARCH:SEARCH1:TRIGGER:A:BUS:B1:USB:DATA:OFFSET 0, indicating that the data offset is the default value, 0. |

## SEARCH:SEARCH<x>:TRIGger:A:BUS:B<x>:USB:DATA:SIZE

This command specifies the number of contiguous data bytes to search for in a USB search. The minimum and default values are 1 and the maximum value is 16. SEARCH<x> is the search number, which is always 1, and B<x> is the bus number 1-4.

|                   |                                                                                                                |
|-------------------|----------------------------------------------------------------------------------------------------------------|
| <b>Conditions</b> | This command requires the DPO4USB application module.                                                          |
| <b>Group</b>      | Search                                                                                                         |
| <b>Syntax</b>     | SEARCH:SEARCH<x>:TRIGger:A:BUS:B<x>:USB:DATA:SIZE <NR1><br>SEARCH:SEARCH<x>:TRIGger:A:BUS:B<x>:USB:DATA:SIZE?  |
| <b>Arguments</b>  | <NR1> is number in the range 1 to 16.                                                                          |
| <b>Examples</b>   | SEARCH:SEARCH1:TRIGGER:A:BUS:B1:USB:DATA:SIZE 4 sets the oscilloscope to search on four contiguous data bytes. |

SEARCH:SEARCH1:TRIGGER:A:BUS:B1:USB:DATA:SIZE? might return ,  
:SEARCH:SEARCH1:TRIGGER:A:BUS:B1:USB:DATA:SIZE 6 indicating that  
the oscilloscope will search on 6 contiguous data bytes.

## SEARCH:SEARCH<x>:TRIGger:A:BUS:B<x>:USB:DATA:TYPE

This command specifies the data type to be used in a USB search, when the search condition is set to DATAPacket. SEARCH<x> is the search number, which is always 1, and B<x> is the bus number 1-4.

**Conditions** This command requires the DPO4USB application module.

**Group** Search

**Syntax** SEARCH:SEARCH<x>:TRIGger:A:BUS:B<x>:USB:DATA:TYPE  
{ANY|DATA0|DATA1}

SEARCH:SEARCH<x>:TRIGger:A:BUS:B<x>:USB:DATA:TYPE?

**Related Commands** [SEARCH:SEARCH<x>:TRIGger:A:BUS:B<x>:USB:CONDition](#)

**Arguments** ANY indicates either a DATA0 or DATA1 data packet type.

DATA0 indicates a DATA0 data packet type.

DATA1 indicates a DATA1 data packet type.

**Examples** SEARCH:SEARCH1:TRIGGER:A:BUS:B1:USB:DATA:TYPE DATA0 sets the  
oscilloscope to search on a DATA0 data packet type.

SEARCH:SEARCH1:TRIGGER:A:BUS:B1:USB:DATA:TYPE? might return  
:SEARCH:SEARCH1:TRIGGER:A:BUS:B1:USB:DATA:TYPE DATA1, indicating  
that the data packet type is set to DATA1.

## SEARCH:SEARCH<x>:TRIGger:A:BUS:B<x>:USB:DATA:VALue

This command specifies the lower limit value for the inside-of-range and outside-of-range qualifiers to be used in a USB search, when the search condition is set to DATAPacket. SEARCH<x> is the search number, which is always 1, and B<x> is the bus number 1-4.

**Conditions** This command requires the DPO4USB application module.

|                         |                                                                                                                                                                                                                                                                                                       |
|-------------------------|-------------------------------------------------------------------------------------------------------------------------------------------------------------------------------------------------------------------------------------------------------------------------------------------------------|
| <b>Group</b>            | Search                                                                                                                                                                                                                                                                                                |
| <b>Syntax</b>           | SEARCH:SEARCH<x>:TRIGger:A:BUS:B<x>:USB:DATA:VALue <QString><br>SEARCH:SEARCH<x>:TRIGger:A:BUS:B<x>:USB:DATA:VALue?                                                                                                                                                                                   |
| <b>Related Commands</b> | <a href="#">SEARCH:SEARCH&lt;x&gt;:TRIGger:A:BUS:B&lt;x&gt;:USB:CONDition</a>                                                                                                                                                                                                                         |
| <b>Arguments</b>        | <QString> within the range 00000000 to 11111111 (00 hex to FF hex).                                                                                                                                                                                                                                   |
| <b>Examples</b>         | SEARCH:SEARCH1:TRIGGER:A:BUS:B1:USB:DATA:VALUE "00001000" sets the binary address to 00001000 (08 hex).<br><br>SEARCH:SEARCH1:TRIGGER:A:BUS:B1:USB:DATA:VALUE? might return :SEARCH:SEARCH1:TRIGGER:A:BUS:B1:USB:DATA:VALUE "01000000", which indicates that the binary address is 01000000 (40 hex). |

## SEARCH:SEARCH<x>:TRIGger:A:BUS:B<x>:USB:ENDPoint:VALue

This command specifies the endpoint value to be used for a USB search. SEARCH<x> is the search number, which is always 1, and B<x> is the bus number 1-4.

|                         |                                                                                                                                                                                                                                                                                                   |
|-------------------------|---------------------------------------------------------------------------------------------------------------------------------------------------------------------------------------------------------------------------------------------------------------------------------------------------|
| <b>Conditions</b>       | This command requires the DPO4USB application module.                                                                                                                                                                                                                                             |
| <b>Group</b>            | Search                                                                                                                                                                                                                                                                                            |
| <b>Syntax</b>           | SEARCH:SEARCH<x>:TRIGger:A:BUS:B<x>:USB:ENDPoint:VALue <QString><br>SEARCH:SEARCH<x>:TRIGger:A:BUS:B<x>:USB:ENDPoint:VALue?                                                                                                                                                                       |
| <b>Related Commands</b> | <a href="#">SEARCH:SEARCH&lt;x&gt;:TRIGger:A:BUS:B&lt;x&gt;:USB:CONDition</a>                                                                                                                                                                                                                     |
| <b>Arguments</b>        | <QString> within the range 0000 to 1111 (00 hex to 0F hex).                                                                                                                                                                                                                                       |
| <b>Examples</b>         | SEARCH:SEARCH1:TRIGGER:A:BUS:B1:USB:ENDPOINT:VALUE "1000" sets the binary address to 1000 (08 hex).<br><br>SEARCH:SEARCH1:TRIGGER:A:BUS:B1:USB:ENDPOINT:VALUE? might return :SEARCH:SEARCH1:TRIGGER:A:BUS:B1:USB:ENDPOINT:VALUE "1001", which indicates that the binary address is 1001 (09 hex). |

## SEARCH:SEARCH<x>:TRIGger:A:BUS:B<x>:USB:ERRTYPE

This command specifies the error type to search for in a USB search, when the search condition is set to ERROR. SEARCH<x> is the search number, which is always 1, and B<x> is the bus number 1-4.

**Conditions** This command requires the DPO4USB application module.

**Group** Search

**Syntax** SEARCH:SEARCH<x>:TRIGger:A:BUS:B<x>:USB:ERRTYPE  
{PID|CRC5|CRC16|BITSTUFFing}  
  
SEARCH:SEARCH<x>:TRIGger:A:BUS:B<x>:USB:ERRTYPE?

**Related Commands** [SEARCH:SEARCH<x>:TRIGger:A:BUS:B<x>:USB:CONDition](#)

**Arguments** PID indicates the error type is set to packet ID.  
CRC5 indicates the error type is set to 5-bit CRC.  
CRC16 indicates the error type is set to 16-bit CRC.  
BITSTUFFing indicates the error type is set to bit stuffing.

**Examples** SEARCH:SEARCH1:TRIGGER:A:BUS:B1:USB:CONDITION PID sets the error search condition to packet ID.  
  
SEARCH:SEARCH1:TRIGGER:A:BUS:B1:USB:CONDITION? might return :SEARCH:SEARCH1:TRIGGER:A:BUS:B1:USB:CONDITION PID, indicating the error search condition is packet ID.

## SEARCH:SEARCH<x>:TRIGger:A:BUS:B<x>:USB:HANDSHAKEType

This command specifies the handshake type to be used in a USB search. SEARCH<x> is the search number, which is always 1, and B<x> is the bus number 1-4.

**Conditions** This command requires the DPO4USB application module.

**Group** Search

**Syntax** SEARCH:SEARCH<x>:TRIGger:A:BUS:B<x>:USB:HANDSHAKType  
{ANY|NAK|ACK|STALL}  
  
SEARCH:SEARCH<x>:TRIGger:A:BUS:B<x>:USB:HANDSHAKType?

**Related Commands** [SEARCH:SEARCH<x>:TRIGger:A:BUS:B<x>:USB:CONDition](#)

**Arguments** ANY indicates the oscilloscope will search for any handshake type.  
  
NAK indicates the oscilloscope will search for when a device cannot send or receive data.  
  
ACK indicates the oscilloscope will search for when a packet is successfully received.  
  
STALL indicates the oscilloscope will search for when a device requires intervention from the host.

**Examples** SEARCH:SEARCH1:TRIGGER:A:BUS:B1:USB:HANDSHAKETYPE ACK sets the handshake type to acknowledgement.  
  
SEARCH:SEARCH1:TRIGGER:A:BUS:B1:USB:HANDSHAKETYPE? might return :SEARCH:SEARCH1:TRIGGER:A:BUS:B1:USB:HANDSHAKETYPE STALL, indicating that the handshake type is set to stall.

## SEARCH:SEARCH<x>:TRIGger:A:BUS:B<x>:USB:QUALifier

This command specifies the qualifiers for address, endpoint and data to be used in a USB search . SEARCH<x> is the search number, which is always 1, and B<x> is the bus number 1-4.

**Conditions** This command requires the DPO4USB application module.

**Group** Search

**Syntax** SEARCH:SEARCH<x>:TRIGger:A:BUS:B<x>:USB:QUALifier  
{LESSthan|MOREthan|EQual|UNEQual|LESSEQual  
|MOREEQual|INrange|OUTrange}  
  
SEARCH:SEARCH<x>:TRIGger:A:BUS:B<x>:USB:QUALifier?

**Related Commands** [SEARCH:SEARCH<x>:TRIGger:A:BUS:B<x>:USB:CONDition](#)

- Arguments**
- LESSthan** indicates the oscilloscope will search for a value that is less than a set value.
  - MOREthan** indicates the oscilloscope will search for a value that is greater than a set value.
  - EQua1** indicates the oscilloscope will search for a value that is equal to a set value.
  - UNEQua1** indicates the oscilloscope will search for a value that is not equal to a set value.
  - LESSEQua1** indicates the oscilloscope will search for a value that is less than or equal to a set value.
  - MOREEQua1** indicates the oscilloscope will search for a value that is greater than or equal to a set value.
  - INrange** indicates the oscilloscope will search for a value that is within a range set by two values.
  - OUTrange** indicates the oscilloscope will search for a value that is outside of a range set by two values.

- Examples**
- SEARCH:SEARCH1:TRIGGER:A:BUS:B1:USB:QUALIFIER LESSTHAN** sets the oscilloscope to search when an address, data, or endpoint value is less than a set value.
  - SEARCH:SEARCH1:TRIGGER:A:BUS:B1:USB:QUALIFIER?** might return **:SEARCH:SEARCH1:TRIGGER:A:BUS:B1:USB:QUALIFIER EQUAL** indicating that the search condition is to search when an address, data, or endpoint is equal to a set value.

## **SEARCH:SEARCH<x>:TRIGger:A:BUS:B<x>:USB:SOFFRAMENUMber**

This command specifies the value for the start of frame to be used in a USB search, when the search condition is set to **TOKENPacket**, and the token type is set to **SOF** (Start of Frame). **SEARCH<x>** is the search number, which is always 1, and **B<x>** is the bus number 1-4.

- Conditions** This command requires the DPO4USB application module.
- Group** Search
- Syntax**
- ```
SEARCH:SEARCH<x>:TRIGger:A:BUS:B<x>:USB:SOFFRAMENUMber
<Qstring>
SEARCH:SEARCH<x>:TRIGger:A:BUS:B<x>:USB:SOFFRAMENUMber?
```


Related Commands	SEARCH:SEARCH<x>:TRIGger:A:BUS:B<x>:USB:CONDition , SEARCH:SEARCH<x>:TRIGger:A:BUS:B<x>:USB:TOKENType
Arguments	<QString> within the range 000 0000 0000 to 111 1111 1111 (000 hex to 7FF hex).
Examples	SEARCH:SEARCH1:TRIGGER:A:BUS:B1:USB:SOFFRAMENUMBER "00000001000" sets the start of frame number to 00000001000 (008 hex). SEARCH:SEARCH1:TRIGGER:A:BUS:B1:USB:SOFFRAMENUMBER? might return :SEARCH:SEARCH1:TRIGGER:A:BUS:B1:USB:SOFFRAMENUMBER "00000001001", which indicates that the start of frame number is 00000001001 (009 hex).

SEARCH:SEARCH<x>:TRIGger:A:BUS:B<x>:USB:SPECIALType

This command specifies the packet ID (PID) for the special packet to be used in a USB search: any, preamble or reserved. SEARCH<x> is the search number, which is always 1, and B<x> is the bus number 1-4.

Conditions	This command requires the DPO4USB application module.
Group	Search
Syntax	SEARCH:SEARCH<x>:TRIGger:A:BUS:B<x>:USB:SPECIALType {ANY PREAmbLe RESERVED} SEARCH:SEARCH<x>:TRIGger:A:BUS:B<x>:USB:SPECIALType?
Arguments	ANY indicates the oscilloscope will search for any type of special packet. PREAmbLe indicates the oscilloscope will search for a preamble special packet. RESERVED indicates the oscilloscope will search for a reserved special packet.
Examples	SEARCH:SEARCH1:TRIGGER:A:BUS1:USB:SPECIALTYPE PREAMBLE sets the special packet type to preamble. SEARCH:SEARCH1:TRIGGER:A:BUS1:USB:SPECIALTYPE? might return :SEARCH:SEARCH1:TRIGGER:A:BUS1:USB:SPECIALTYPE PREAMBLE, indicating that the special type is set to preamble.

SEARCH:SEARCH<x>:TRIGger:A:BUS:B<x>:USB:SPLit:ET:VALue

When searching on a high-speed USB split transaction, this command specifies the split transaction endpoint type value to search for. SEARCH<x> is the search number, which is always 1, and B<x> is the bus number 1-4.

Group Search

Syntax SEARCH:SEARCH<x>:TRIGger:A:BUS:B<x>:USB:SPLit:ET:VALue
{NOCARE|CONTRo1|ISOchronous|BULK|INTERRUPT}

SEARCH:SEARCH<x>:TRIGger:A:BUS:B<x>:USB:SPLit:ET:VALue?

Related Commands [SEARCH:SEARCH<x>:TRIGger:A:BUS:B<x>:USB:SPECIALType](#)

Arguments NOCARE — any endpoint type.
CONTRo1 — control endpoint type.
ISOchronous — isochronous endpoint type.
BULK — bulk endpoint type (BULK-IN or BULK-OUT).
INTERRUPT — interrupt endpoint type (Interrupt-IN).

Examples SEARCH:SEARCH1:TRIGger:A:BUS:B1:USB:SPLit:ET:VALue iso sets the endpoint type to search for to isochronous.
SEARCH:SEARCH1:TRIGger:A:BUS:B1:USB:SPLit:ET:VALue? might return BULK, indicating that the bulk endpoint type has been specified to search for.

SEARCH:SEARCH<x>:TRIGger:A:BUS:B<x>:USB:SPLit:HUB:VALue

When searching on a high-speed USB split transaction, this command specifies the split transaction hub address value to search for. The value can be up to 7 characters long. The default is all X's (don't care). SEARCH<x> is the search number, which is always 1, and B<x> is the bus number 1-4. .

Group Search

Syntax SEARCH:SEARCH<x>:TRIGger:A:BUS:B<x>:USB:SPLit:HUB:VALue
<Qstring>
SEARCH:SEARCH<x>:TRIGger:A:BUS:B<x>:USB:SPLit:HUB:VALue?

Related Commands [SEARCH:SEARCH<x>:TRIGger:A:BUS:B<x>:USB:SPECIALType](#)

Arguments QString is a quoted string of up to 7 characters. The valid characters are 0 and 1.

Examples SEARCH:SEARCH1:TRIGger:A:BUS:B1:USB:SPLit:HUB:VALue "001010" sets the split transaction hub address to search for to 001010.

SEARCH:SEARCH1:TRIGger:A:BUS:B1:USB:SPLit:HUB:VALue? might return XXXXXXXX, indicating that the hub address value to search for doesn't matter.

SEARCH:SEARCH<x>:TRIGger:A:BUS:B<x>:USB:SPLit:PORT:VALue

When searching on a high-speed USB split transaction, this command specifies the split transaction port address value to search for. The value can be up to 7 characters long. The default is all X's (don't care). SEARCH<x> is the search number, which is always 1, and B<x> is the bus number 1-4.

Group Search

Syntax SEARCH:SEARCH<x>:TRIGger:A:BUS:B<x>:USB:SPLit:PORT:VALue <QString>
SEARCH:SEARCH<x>:TRIGger:A:BUS:B<x>:USB:SPLit:PORT:VALue?

Related Commands [SEARCH:SEARCH<x>:TRIGger:A:BUS:B<x>:USB:SPECIALType](#)

Arguments QString is a quoted string of up to 7 characters. The valid characters are 0 and 1.

Examples SEARCH:SEARCH1:TRIGger:A:BUS:B1:USB:SPLit:PORT:VALue "001010" sets the split transaction hub address to search for to 001010.

SEARCH:SEARCH1:TRIGger:A:BUS:B1:USB:SPLit:PORT:VALue? might return XXXXXXXX, indicating that the hub address value to search for doesn't matter.

SEARCH:SEARCH<x>:TRIGger:A:BUS:B<x>:USB:SPLit:SC:VALue

When searching on a high-speed USB split transaction, this command specifies whether to search for the start or complete phase of the split transaction, based on the Start/Complete bit field value. (0 = Start, 1 = Complete). The default is

NOCARE. SEARCH<x> is the search number, which is always 1, and B<x> is the bus number 1-4.

Group Search

Syntax SEARCH:SEARCH<x>:TRIGger:A:BUS:B<x>:USB:SPLit:SC:VALue
{NOCARE|SSPLIT|CSPLIT}
SEARCH:SEARCH<x>:TRIGger:A:BUS:B<x>:USB:SPLit:SC:VALue?

Related Commands [SEARCH:SEARCH<x>:TRIGger:A:BUS:B<x>:USB:SPECIALType](#)

Arguments NOCARE — search for either the start or complete phase of the split transaction.
SSPLIT — search for the start phase of the split transaction.
CSPLIT — search for the complete phase of the split transaction.

Examples SEARCH:SEARCH1:TRIGger:A:BUS:B1:USB:SPLit:SC:VALue SSPLIT specifies to search for the start phase of the split transaction.
SEARCH:SEARCH1:TRIGger:A:BUS:B1:USB:SPLit:SC:VALue? might indicate NOCARE, specifying that it doesn't matter whether to search for the start or complete phase of the split transaction.

SEARCH:SEARCH<x>:TRIGger:A:BUS:B<x>:USB:SPLit:SE:VALue

When searching for a high-speed USB split transaction, this command specifies the split transaction start/end bit value to search for. SEARCH<x> is the search number, which is always 1, and B<x> is the bus number 1-4.

NOTE. *The start and end bits are interpreted based on the type of split transaction:*

For Interrupt and control transactions, the S bit means Speed: 0 = Full Speed, 1 = Low Speed.

For bulk IN/OUT and isochronous IN start-split transactions, the S field must be 0.

For bulk/control IN/OUT, interrupt IN/OUT, and isochronous IN start-split transactions, the E field must be 0.

For full-speed isochronous OUT start-split transactions, the S (Start) and E (End) fields specify how the high-speed data payload corresponds to data for a full-speed data packet as shown below:

S E High-speed to Full-speed Data Relation

0 0 High-speed data is the middle of the full-speed data payload.

0 1 High-speed data is the end of the full-speed data payload.

1 0 High-speed data is the beginning of the full-speed data payload.

1 1 High-speed data is all of the full speed data payload.

Group Search

Syntax SEARCH:SEARCH<x>:TRIGger:A:BUS:B<x>:USB:SPLit:SE:VALUE
{NOCARE|FULLSPeed|LOWSPeed|ISOSTART|ISOMID|ISOEND|ISOALL}
SEARCH:SEARCH<x>:TRIGger:A:BUS:B<x>:USB:SPLit:SE:VALUE?

Related Commands [SEARCH:SEARCH<x>:TRIGger:A:BUS:B<x>:USB:SPECIALType](#)

Arguments NOCARE — any combination of S and E bits.
FULLSPeed — S bit = 0, E bit = 0.
LOWSPeed — S bit = 1, E bit = 0.
ISOSTART — S bit = 1, E bit = 0.
ISOMID — see note above.
ISOEND — see note above.
ISOALL — see note above.

Examples SEARCH:SEARCH1:TRIGger:A:BUS:B1:USB:SPLit:SE:VALUE ISOEND specifies to search for the ISOEND split transaction value.

SEARCH:SEARCH1:TRIGGER:A:BUS:B1:USB:SPLIT:SE:VALUE? might return FULLSPEED.

SEARCH:SEARCH<x>:TRIGGER:A:BUS:B<x>:USB:TOKENType

This command specifies the token type to be used in a USB search: any, start of frame, out, in, or setup. SEARCH<x> is the search number, which is always 1, and B<x> is the bus number 1-4.

Conditions This command requires the DPO4USB application module.

Group Search

Syntax SEARCH:SEARCH<x>:TRIGGER:A:BUS:B<x>:USB:TOKENType
{ANY|SOF|OUT|IN|SETUP}

SEARCH:SEARCH<x>:TRIGGER:A:BUS:B<x>:USB:TOKENType?

Arguments ANY indicates any of the token types.

SOF indicates a SOF (start-of-frame) token type

OUT indicates an OUT token type.

IN indicates an IN token type.

SETUP indicates a SETUP token type.

Examples SEARCH:SEARCH1:TRIGGER:A:BUS:B1:USB:TOKENType SETUP sets the token type to SETUP.

SEARCH:SEARCH1:TRIGGER:A:BUS:B1:USB:TOKENType? might return :SEARCH:SEARCH1:TRIGGER:A:BUS:B1:USB:TOKENType SOF if the token type is SOF.

SEARCH:SEARCH<x>:TRIGGER:A:BUS:SOURce

This command specifies the source of a bus search. <x> is the search number. SEARCH<x> is the search number, which is always 1.

Group Search

Syntax SEARCH:SEARCH<x>:TRIGger:A:BUS:SOURce {B1|B2|B3|B4}
SEARCH:SEARCH<x>:TRIGger:A:BUS:SOURce?

Arguments B1 specifies the Bus 1 source.
B2 specifies the Bus 2 source.
B3 specifies the Bus 3 source.
B4 specifies the Bus 4 source.

SEARCH:SEARCH<x>:TRIGger:A:EDGE:SLOpe

This command specifies the slope to be used in an edge search: rising or falling. <x> is the search number. SEARCH<x> is the search number, which is always 1.

Group Search

Syntax SEARCH:SEARCH<x>:TRIGger:A:EDGE:SLOpe {RISe|FALL}
SEARCH:SEARCH<x>:TRIGger:A:EDGE:SLOpe?

Arguments RISe specifies a rising edge.
FALL specifies a falling edge.

SEARCH:SEARCH<x>:TRIGger:A:EDGE:SOURce

This command specifies the source waveform to be used in an edge search. <x> is the search number. SEARCH<x> is the search number, which is always 1.

Group Search

Syntax SEARCH:SEARCH<x>:TRIGger:A:EDGE:SOURce
{CH1|CH2|CH3|CH4|MATH|REF1|REF2|REF3|REF4|D0|D1|D2|D3
|D4|D5|D6|D7|D8|D9|D10|D11|D12|D13|D14|D15|RF_AMPliitude|
RF_FREQUency|RF_PHASE}
SEARCH:SEARCH<x>:TRIGger:A:EDGE:SOURce?

Arguments CH1–4 specifies an analog channel as the source waveform.
MATH specifies the math waveform as the source waveform.
REF1–4 specifies a reference waveform as the source waveform.

D0–D15 specifies a digital channel as the source waveform.

RF_AMP|itude|RF_FREQUENCY|RF_PHASE specify an RF time domain trace as the source.

SEARCH:SEARCH<x>:TRIGger:A:LEVel:CH<x>

This command sets the threshold level to use when searching on an analog waveform. x can be 1 - 4.

Group Search

Syntax SEARCH:SEARCH<x>:TRIGger:A:LEVel:CH<x> {<NR3>|ECL|TTL}
SEARCH:SEARCH<x>:TRIGger:A:LEVel:CH<x>?

Arguments <NR3> is a floating point number that sets the threshold level to search for, in Volts, when searching on channel <x>.

ECL sets the threshold level to a preset ECL high level of -1.3V.

TTL sets the threshold level to a preset TTL high level of 1.4V.

SEARCH:SEARCH<x>:TRIGger:A:LEVel:MATH

This command sets the threshold level to use when searching on the math waveform.

Group Search

Syntax SEARCH:SEARCH<x>:TRIGger:A:LEVel:MATH {<NR3>|ECL|TTL}
SEARCH:SEARCH<x>:TRIGger:A:LEVel:MATH?

Arguments <NR3> is a floating point number that sets the threshold level to search for, in Volts, when searching on a math waveform.

ECL sets the threshold level to a preset ECL high level of -1.3V.

TTL sets the threshold level to a preset TTL high level of 1.4V.

SEARCH:SEARCH<x>:TRIGger:A:LEVel:REF<x>

This command sets the threshold level to use when searching on a reference waveform.

Group Search

Syntax SEARCH:SEARCH<x>:TRIGger:A:LEVel:REF<x> {<NR3>|ECL|TTL}
SEARCH:SEARCH<x>:TRIGger:A:LEVel:REF<x>?

Arguments <NR3> is a floating point number that sets the threshold level to search for, in Volts, when searching on a reference waveform.

ECL sets the threshold level to a preset ECL high level of -1.3V.

TTL sets the threshold level to a preset TTL high level of 1.4V.

SEARCH:SEARCH<x>:TRIGger:A:LEVel:RF_AMPlitude

This command sets the threshold level to use when searching on the RF Amplitude vs. Time trace.

Conditions MDO models only.

Group Search

Syntax SEARCH:SEARCH<x>:TRIGger:A:LEVel:RF_AMPlitude
{<NR3>|ECL|TTL}
SEARCH:SEARCH<x>:TRIGger:A:LEVel:RF_AMPlitude?

Arguments <NR3> is a floating point number that sets the threshold level, in Volts, to use when searching on the RF Amplitude vs. Time trace.

ECL sets the threshold level to a preset ECL high level of -1.3V.

TTL sets the threshold level to a preset TTL high level of 1.4V.

SEARCH:SEARCH<x>:TRIGger:A:LEVel:RF_FREQuency

This command sets the threshold level to use when searching on the RF Frequency vs. Time trace.

Conditions	MDO models only.
Group	Search
Syntax	SEARCH:SEARCH<x>:TRIGger:A:LEVEl:RF_FREQUENCY {<NR3> ECL TTL} SEARCH:SEARCH<x>:TRIGger:A:LEVEl:RF_FREQUENCY?
Arguments	<NR3> is a floating point number that sets the threshold level, in Volts, to use when searching on the RF Frequency vs. Time trace. ECL sets the threshold level to a preset ECL high level of -1.3V. TTL sets the threshold level to a preset TTL high level of 1.4V.

SEARCH:SEARCH<x>:TRIGger:A:LEVEl:RF_PHASE

This command sets the threshold level to use when searching on the RF Phase vs. Time trace.

Conditions	MDO models only.
Group	Search
Syntax	SEARCH:SEARCH<x>:TRIGger:A:LEVEl:RF_PHASE {<NR1> ECL TTL} SEARCH:SEARCH<x>:TRIGger:A:LEVEl:RF_PHASE?
Arguments	<NR3> is a floating point number that sets the threshold level, in Volts, to use when searching on the RF Phase vs. Time trace. ECL sets the threshold level to a preset ECL high level of -1.3V. TTL sets the threshold level to a preset TTL high level of 1.4V.

SEARCH:SEARCH<x>:TRIGger:A:LOGIc:FUNcTION

This command specifies the logic operator to be used in a logic search. <x> is the search number, which is always 1.

Group	Search
--------------	--------

Syntax SEARCH:SEARCH<x>:TRIGger:A:LOGic:FUNction {AND|NANd|NOR|OR}
SEARCH:SEARCH<x>:TRIGger:A:LOGic:FUNction?

Arguments AND places a mark if all conditions are true.
NANd places a mark if any of the conditions are false.
NOR places a mark if all conditions are false.
OR places a mark if any of the conditions are true.

SEARCH:SEARCH<x>:TRIGger:A:LOGic:INPut:CH<x>

This command specifies the logic condition to be used in a logic search when the input is an analog channel. SEARCH<x> is the search number, which is always 1, and CH<x> is the channel number, which can be 1–4.

Group Search

Syntax SEARCH:SEARCH<x>:TRIGger:A:LOGic:INPut:CH<x> {HIGH|LOW|X}
SEARCH:SEARCH<x>:TRIGger:A:LOGic:INPut:CH<x>?

Arguments HIGH specifies the logic high.
LOW specifies the logic low.
X specifies a "don't care" state.

SEARCH:SEARCH<x>:TRIGger:A:LOGic:INPut:CLOCK:EDGE

This command specifies the clock edge condition (rising or falling) to be used in a logic search. <x> is the search number, which is always 1.

Group Search

Syntax SEARCH:SEARCH<x>:TRIGger:A:LOGic:INPut:CLOCK:EDGE
{FALL|RISe}
SEARCH:SEARCH<x>:TRIGger:A:LOGic:INPut:CLOCK:EDGE?

Arguments RISe specifies a rising edge.
FALL specifies a falling edge.

SEARCH:SEARCH<x>:TRIGger:A:LOGIc:INPut:CLOCK:SOUrce

This command specifies the clock source to be used in a logic search. <x> is the search number, which is always 1. If a clock source is defined, then the logic search is determined by the state of the other inputs at the clock transition. If no clock source is defined, then the logic search is determined only by the state of the inputs.

Group Search

Syntax SEARCH:SEARCH<x>:TRIGger:A:LOGIc:INPut:CLOCK:SOUrce
 {CH1|CH2|CH3|CH4|MATH|REF|NONE|D0|D1|D2|D3|D4|D5|D6|D7|D8
 |D9|D10|D11|D12|D13|D14|D15|RF_AMPli tude|
 RF_FREQUency|RF_PHASE}

SEARCH:SEARCH<x>:TRIGger:A:LOGIc:INPut:CLOCK:SOUrce?

Arguments CH1–4 specifies an analog channel as the clock source.
 MATH specifies the math waveform as the clock source.
 REF specifies the reference waveform as the clock source.
 NONE specifies no clock source.
 D0–D15 specifies a digital channel as the clock source.
 RF_AMPli tude|RF_FREQUency|RF_PHASE specify an RF time domain trace as the clock source.

SEARCH:SEARCH<x>:TRIGger:A:LOGIc:INPut:D<x>

This command specifies the logic condition to be used in a logic search when the input is a digital channel. SEARCH<x> is the search number, which is always 1, and D<x> is the digital channel number, which can be D0 – D16.

Group Search

Syntax SEARCH:SEARCH<x>:TRIGger:A:LOGIc:INPut:D<x> {HIGH|LOW|X}
 SEARCH:SEARCH<x>:TRIGger:A:LOGIc:INPut:D<x>?

Arguments HIGH specifies a high logic level.
 LOW specifies a low logic level.
 X specifies a “don't care” condition.

SEARCH:SEARCH<x>:TRIGger:A:LOGIc:INPut:MATH

This command specifies the logic condition of the math input to be used in a logic search. <x> is the search number, which is always 1.

Group Search

Syntax SEARCH:SEARCH<x>:TRIGger:A:LOGIc:INPut:MATH {HIGH|LOW|X}
SEARCH:SEARCH<x>:TRIGger:A:LOGIc:INPut:MATH?

Arguments HIGH specifies a high logic level.
LOW specifies a low logic level.
X specifies a “don't care” condition.

SEARCH:SEARCH<x>:TRIGger:A:LOGIc:INPut:REF<x>

This command specifies the logic condition of the reference waveform to be used in a logic search. SEARCH<x> is the search number, which is always 1, and REF<x> is the reference channel number, which can be 1–4.

Group Search

Syntax SEARCH:SEARCH<x>:TRIGger:A:LOGIc:INPut:REF<x> {HIGH|LOW|X}
SEARCH:SEARCH<x>:TRIGger:A:LOGIc:INPut:REF<x>?

Arguments HIGH specifies a high logic level.
LOW specifies a low logic level.
X specifies a “don't care” condition.

SEARCH:SEARCH<x>:TRIGger:A:LOGIc:INPut:RF_AMPLitude

This command specifies the logic criteria to search for when searching using the RF Amplitude vs. Time trace. This command is used together with [SEARCH:SEARCH<x>:TRIGger:A:LOGIc:THReshold:RF_AMPLitude](#) to search for an instance when the waveform goes higher or lower than the specified threshold. “LOW” specifies to only set a mark when the RF_AMPLitude waveform drops below the logic threshold; likewise, “HIGH” specifies to set a mark when the waveform goes above the logic threshold. “X” specifies “don't care”. SEARCH<x> is the search number, which is always 1.

Conditions	MDO models only.
Group	Search
Syntax	SEARCH:SEARCH<x>:TRIGger:A:LOGic:INPut:RF_AMPliTude {HIGH LOW X} SEARCH:SEARCH<x>:TRIGger:A:LOGic:INPut:RF_AMPliTude?
Related Commands	TRIGger:A:LOGic:INPut:RF
Arguments	HIGH specifies a high logic level. LOW specifies a low logic level. X specifies a “don't care” condition.
Examples	SEARCH:SEARCH1:TRIGger:A:LOGic:INPut:RF_AMPliTude HIGH specifies to set a mark when the waveform goes above the logic threshold specified by SEARCH:SEARCH<x>:TRIGger:A:LOGic:THReshold:RF_AMPliTude . SEARCH:SEARCH1:TRIGger:A:LOGic:INPut:RF_AMPliTude? might return HIGH, indicating that the search engine has been set to set a mark when a waveform goes above the logic threshold specified by SEARCH:SEARCH<x>:TRIGger:A:LOGic:THReshold:RF_AMPliTude .

SEARCH:SEARCH<x>:TRIGger:A:LOGic:INPut:RF_FREQUENCY

This command specifies the logic criteria to search for when searching using the RF Frequency vs. Time trace. This command is used together with [SEARCH:SEARCH<x>:TRIGger:A:LOGic:THReshold:RF_FREQUENCY](#) to search for an instance when the waveform goes higher or lower than the specified threshold. “LOW” specifies to only set a mark when the RF_FREQUENCY waveform drops below the logic threshold; likewise, “HIGH” specifies to set a mark when the waveform goes above the logic threshold. “X” specifies “don't care”. SEARCH<x> is the search number, which is always 1.

Conditions	MDO models only.
Group	Search
Syntax	SEARCH:SEARCH<x>:TRIGger:A:LOGic:INPut:RF_FREQUENCY {HIGH LOW X}

SEARCH:SEARCH<x>:TRIGger:A:LOGic:INPut:RF_FREQUENCY?

Related Commands [TRIGger:A:LOGic:INPut:RF](#)

Arguments HIGH specifies a high logic level.
 LOW specifies a low logic level.
 X specifies a “don't care” condition.

Examples SEARCH:SEARCH1:TRIGger:A:LOGic:INPut:RF_FREQUENCY HIGH specifies to set a mark when the waveform goes above the logic threshold specified by [SEARCH:SEARCH<x>:TRIGger:A:LOGic:THReshold:RF_FREQUENCY](#).
 SEARCH:SEARCH1:TRIGger:A:LOGic:INPut:RF_FREQUENCY? might return HIGH, indicating that the search engine has been set to set a mark when a waveform goes above the logic threshold specified by [SEARCH:SEARCH<x>:TRIGger:A:LOGic:THReshold:RF_FREQUENCY](#).

SEARCH:SEARCH<x>:TRIGger:A:LOGic:INPut:RF_PHASE

This command specifies the logic criteria to search for when searching using the RF Phase vs. Time trace. This command is used together with [SEARCH:SEARCH<x>:TRIGger:A:LOGic:THReshold:RF_PHASE](#) to search for an instance when the waveform goes higher or lower than the specified threshold. “LOW” specifies to only set a mark when the RF_PHASE waveform drops below the logic threshold; likewise, “HIGH” specifies to set a mark when the waveform goes above the logic threshold. “X” specifies “don't care”. SEARCH<x> is the search number, which is always 1.

Conditions MDO models only.

Group Search

Syntax SEARCH:SEARCH<x>:TRIGger:A:LOGic:INPut:RF_PHASE {HIGH|LOW|X}
 SEARCH:SEARCH<x>:TRIGger:A:LOGic:INPut:RF_PHASE?

Related Commands [TRIGger:A:LOGic:INPut:RF](#)

Arguments HIGH specifies a high logic level.
 LOW specifies a low logic level.

X specifies a “don't care” condition.

Examples SEARCH:SEARCH1:TRIGger:A:LOGic:INPut:RF_PHASE HIGH specifies to set a mark when the waveform goes above the logic threshold specified by [SEARCH:SEARCH<x>:TRIGger:A:LOGic:THReshold:RF_PHASE](#).

SEARCH:SEARCH1:TRIGger:A:LOGic:INPut:RF_PHASE? might return HIGH, indicating that the search engine has been set to set a mark when a waveform goes above the logic threshold specified by [SEARCH:SEARCH<x>:TRIGger:A:LOGic:THReshold:RF_PHASE](#).

SEARCH:SEARCH<x>:TRIGger:A:LOGic:PATtern:INPut:CH<x>

This command specifies the logic condition to be used in a logic search when the input is an analog channel. SEARCH<x> is the search number, which is always 1, and CH<x> is the analog channel number, which can be 1– 4.

Group Search

Syntax SEARCH:SEARCH<x>:TRIGger:A:LOGic:PATtern:INPut:CH<x>
{HIGH|LOW|X}
SEARCH:SEARCH<x>:TRIGger:A:LOGic:PATtern:INPut:CH<x>?

Arguments HIGH specifies a high logic level.
LOW specifies a low logic level.
X specifies a “don't care” condition.

SEARCH:SEARCH<x>:TRIGger:A:LOGic:PATtern:WHEn

This command specifies the qualifier to be used in a logic pattern search. <x> is the search number, which is always 1.

Group Search

Syntax SEARCH:SEARCH<x>:TRIGger:A:LOGic:PATtern:WHEn
{TRUE|FALSE|LESSthan|Than|EQua|UNEQua}
SEARCH:SEARCH<x>:TRIGger:A:LOGic:PATtern:WHEn?

Arguments	<p>TRUE places a mark when the pattern becomes true.</p> <p>FALSE places a mark when the pattern becomes false.</p> <p>LESSthan places a mark if the specific pattern is true less than the time set by the SEARCH:SEARCH<x>:TRIGger:A:LOGIc:PATtern:WHEn:LESSLimit command.</p> <p>Than places a mark if the specific pattern is true longer than the specified time set by the SEARCH:SEARCH<x>:TRIGger:A:LOGIc:PATtern:WHEn:MORELimit command.</p> <p>Equal places a mark if the specific pattern is true longer than the time set by the SEARCH:SEARCH<x>:TRIGger:A:LOGIc:PATtern:WHEn:LESSLimit command, but less than the specified time set by the SEARCH:SEARCH<x>:TRIGger:A:LOGIc:PATtern:WHEn:MORELimit command.</p> <p>UNEQUAL places a mark if the specific pattern is true less than the time set by the SEARCH:SEARCH<x>:TRIGger:A:LOGIc:PATtern:WHEn:LESSLimit command, or longer than the specified time set by the SEARCH:SEARCH<x>:TRIGger:A:LOGIc:PATtern:WHEn:MORELimit command.</p>
------------------	--

SEARCH:SEARCH<x>:TRIGger:A:LOGIc:PATtern:WHEn:LESSLimit

This command specifies the maximum time that the selected pattern may be true and still generate an A logic pattern search to place a mark. <x> is the search number, which is always 1

Group	Search
Syntax	<pre>SEARCH:SEARCH<x>:TRIGger:A:LOGIc:PATtern:WHEn:LESSLimit <NR3> SEARCH:SEARCH<x>:TRIGger:A:LOGIc:PATtern:WHEn:LESSLimit?</pre>
Arguments	<NR3> is a floating point number that specifies the maximum amount of time to hold the pattern true.

SEARCH:SEARCH<x>:TRIGger:A:LOGIc:PATtern:WHEn:MORELimit

This command specifies the minimum time that the selected pattern may be true and still generate an A logic pattern search to place a mark. SEARCH<x> is the search number, which is always 1.

Group	Search
--------------	--------

Syntax SEARCH:SEARCH<x>:TRIGger:A:LOGic:PATtern:WHEn:MORELimit
<NR3>
SEARCH:SEARCH<x>:TRIGger:A:LOGic:PATtern:WHEn:MORELimit?

Arguments <NR3> is a floating point number that specifies the minimum amount of time to hold the pattern true.

SEARCH:SEARCH<x>:TRIGger:A:LOGic:THReshold:CH<x>

This command specifies the channel threshold level for a logic search to determine where to place a mark. SEARCH<x> is the search number, which is always 1, and CH<x> is the channel number, which can be 1–4.

Group Search

Syntax SEARCH:SEARCH<x>:TRIGger:A:LOGic:THReshold:CH<x> {<NR3>|TTL}
SEARCH:SEARCH<x>:TRIGger:A:LOGic:THReshold:CH<x>?

Arguments <NR3> is a floating point number that specifies the search level, in volts.
TTL specifies a preset TTL high level of 1.4 V.

SEARCH:SEARCH<x>:TRIGger:A:LOGic:THReshold:MATH

This command specifies the math waveform threshold level for a logic search to determine where to place a mark. SEARCH<x> is the search number, which is always 1.

Group Search

Syntax SEARCH:SEARCH<x>:TRIGger:A:LOGic:THReshold:MATH {TTL}
SEARCH:SEARCH<x>:TRIGger:A:LOGic:THReshold:MATH?

Arguments TTL specifies a preset TTL high level of 1.4 V.

SEARCH:SEARCH<x>:TRIGger:A:LOGic:THReshold:REF<x>

This command specifies the reference waveform threshold level for a logic search to determine where to place a mark. SEARCH<x> is the search number, which is always 1, and REF<x> is the reference channel number, which can be 1–4.

Group	Search
Syntax	SEARCH:SEARCH<x>:TRIGger:A:LOGic:THReshoId:REF<x> {TTL} SEARCH:SEARCH<x>:TRIGger:A:LOGic:THReshoId:REF<x>?
Arguments	TTL specifies a preset TTL high level of 1.4 V.

SEARCH:SEARCH<x>:TRIGger:A:LOGic:THReshold:RF_AMPLitude

This command specifies the threshold to use when searching the RF Amplitude vs. Time waveform. (Same as the command SEARCH:SEARCH<x>:TRIGger:A:LOWerthreshold:RF_AMPLitude.) SEARCH<x> is the search number, which is always 1.

Conditions	MDO models only.
Group	Search
Syntax	SEARCH:SEARCH<x>:TRIGger:A:LOGic:THReshold:RF_AMPLitude {<NR3>} SEARCH:SEARCH<x>:TRIGger:A:LOGic:THReshold:RF_AMPLitude?
Related Commands	TRIGger:A:LOGic:THReshold:RF
Examples	<p>SEARCH:SEARCH1:TRIGger:A:LOGic:THReshold:RF_AMPLitude 1.5 sets the search's threshold to 1.5V.</p> <p>SEARCH:SEARCH1:TRIGger:A:LOGic:THReshold:RF_AMPLitude? might return 1.5, indicating that the search's threshold is 1.5V.</p> <p>Following is an example command sequence showing how to generate a single search mark on the RF_AMPLitude waveform when the waveform is logic 0 (less than 1.5V):</p> <pre>SEARCH:SEARCH1:TRIGger:A:LOGic:THReshold:RF_AMPLitude 1.5 SEARCH:SEARCH1:TRIGger:A:LOGic:INPut:RF_AMPLitude LOW SEARCH:SEARCH1:STATE 1 SEARCH:SEARCH1:LIST? :SEARCH:SEARCH1:LIST RF_AMPLITUDE,2.4702,2.4702,2.4702,-19.0119E-6,0.0E+0,0.0E+0, 0.0E+0</pre>

SEARCH:SEARCH<x>:TRIGger:A:LOGic:THReshold:RF_FREQUency

This command specifies the threshold to use when searching the RF Frequency vs. Time waveform. (It does the same thing as the command `SEARCH:SEARCH<x>:TRIGger:A:Lowerthreshold:RF_FREQUency`.) This command is used together with `SEARCH:SEARCH<x>:TRIGger:A:LOGic:INPut:RF_FREQUency` to search for an instance when the RF Frequency vs. Time waveform goes higher or lower than the specified threshold. `SEARCH<x>` is the search number, which is always 1.

Conditions MDO models only.

Group Search

Syntax `SEARCH:SEARCH<x>:TRIGger:A:LOGic:THReshold:RF_FREQUency {<NR3>}`
`SEARCH:SEARCH<x>:TRIGger:A:LOGic:THReshold:RF_FREQUency?`

Related Commands `TRIGger:A:LOGic:THReshold:RF`

Examples `SEARCH:SEARCH1:TRIGger:A:LOGic:THReshold:RF_FREQUency 1.00E+6` sets the search's threshold to 1 MHz.

`SEARCH:SEARCH1:TRIGger:A:LOGic:THReshold:RF_FREQUency?` might return `1.00E+6`, indicating that the search's threshold is 1 MHz.

Following is an example command sequence showing how to generate a single search mark on the `RF_FREQUency` waveform when the waveform is logic 0 (less than 1 MHz):

```
SEARCH:SEARCH1:TRIGger:A:LOGic:THReshold:RF_FREQUency
1.00E+6
```

```
SEARCH:SEARCH1:TRIGger:A:LOGic:INPut:RF_FREQUency LOW
```

```
SEARCH:SEARCH1:STATE 1
```

```
SEARCH:SEARCH1:LIST? :SEARCH:SEARCH1:LIST
RF_FREQUency,2.4702,2.4702,2.4702,-19.0119E-6,0.0E+0,0.0E+0,
0.0E+0
```

SEARCH:SEARCH<x>:TRIGger:A:LOGic:THReshold:RF_PHASE

This command specifies the threshold, in degrees, to use when searching the RF Phase vs. Time waveform. (It does the same thing as `SEARCH:SEARCH<x>:TRIGger:A:Lowerthreshold:RF_PHASE`.) This

command is used together with `SEARCH:SEARCH<x>:TRIGger:A:LOGic:INPut:RF_PHASE` to search for an instance when the RF Phase vs. Time waveform goes higher or lower than the specified threshold. `SEARCH<x>` is the search number, which is always 1.

Conditions MDO models only.

Group Search

Syntax `SEARCH:SEARCH<x>:TRIGger:A:LOGic:THReshoId:RF_PHASE {<NR3>}`
`SEARCH:SEARCH<x>:TRIGger:A:LOGic:THReshoId:RF_PHASE?`

Related Commands `TRIGger:A:LOGic:THReshold:RF`

Examples `SEARCH:SEARCH1:TRIGger:A:LOGic:THReshoId:RF_PHASE 4.500E+1` sets the search's threshold to 45 degrees.

`SEARCH:SEARCH1:TRIGger:A:LOGic:THReshoId:RF_PHASE?` might return `4.500E+1`, indicating that the search's threshold is 45 degrees.

Following is an example command sequence showing how to generate a single search mark on the RF_PHASE waveform when the waveform is logic 0 (less than 45 degrees):

```
SEARCH:SEARCH1:TRIGger:A:LOGic:THReshoId:RF_PHASE 4.500E+1
SEARCH:SEARCH1:TRIGger:A:LOGic:INPut:RF_PHASE LOW
SEARCH:SEARCH1:STATE 1
SEARCH:SEARCH1:LIST? :SEARCH:SEARCH1:LIST
RF_PHASE,2.4702,2.4702,2.4702,-19.0119E-6,0.0E+0,0.0E+0,
0.0E+0
```

`SEARCH:SEARCH<x>:TRIGger:A:LOWerthreshold:CH<x>`

This command specifies the lower threshold of the channel waveform to be used in a search. This setting is applied to all channel searches that use a lower threshold. `SEARCH<x>` is the search number, which is always 1, and `CH<x>` is the channel number, which can be 1–4.

Group Search

Syntax SEARCH:SEARCH<x>:TRIGger:A:LOWerthreshold:CH<x> {TTL}
SEARCH:SEARCH<x>:TRIGger:A:LOWerthreshold:CH<x>?

Arguments TTL specifies a preset TTL high level of 1.4 V.

SEARCH:SEARCH<x>:TRIGger:A:LOWerthreshold:MATH

This command specifies the math waveform lower threshold to determine where to place a mark. This setting is applied to all math searches that use a lower threshold.

SEARCH<x> is the search number, which is always 1.

Group Search

Syntax SEARCH:SEARCH<x>:TRIGger:A:LOWerthreshold:MATH {TTL}
SEARCH:SEARCH<x>:TRIGger:A:LOWerthreshold:MATH?

Arguments TTL specifies a preset TTL high level of 1.4 V.

SEARCH:SEARCH<x>:TRIGger:A:LOWerthreshold:REF<x>

This command specifies the reference waveform lower threshold to determine where to place a mark. This setting is applied to all reference searches that use a lower threshold.

SEARCH<x> is the search number, which is always 1, and REF<x> is the reference channel number, which is 1–4.

Group Search

Syntax SEARCH:SEARCH<x>:TRIGger:A:LOWerthreshold:REF<x> {TTL}
SEARCH:SEARCH<x>:TRIGger:A:LOWerthreshold:REF<x>?

Arguments TTL specifies a preset TTL high level of 1.4 V.

SEARCH:SEARCH<x>:TRIGger:A:LOWerthreshold:RF_AMPLitude

This command specifies the threshold for RF Amplitude vs. Time trace searches. For runt and transition searches, this level is the lower threshold. For other search types, this is the single threshold.

(To specify the upper threshold for runt and transition searches, use the command [SEARCH:SEARCH<x>:TRIGger:A:UPPerthreshold:RF_AMPLitude.](#))

Conditions MDO models only.

Group Search

Syntax SEARCH:SEARCH<x>:TRIGger:A:LOWerthreshold:RF_AMPLitude
{<NR3>}
SEARCH:SEARCH<x>:TRIGger:A:LOWerthreshold:RF_AMPLitude?

Related Commands [TRIGger:A:LOWerthreshold:RF](#)

Arguments <NR3> is a floating point number that specifies the lower threshold for the RF Amplitude vs. Time trace, in Volts.

Examples SEARCH:SEARCH1:TRIGger:A:LOWerthreshold:RF_AMPLitude 0.1 sets the lower threshold to 0.1V.

SEARCH:SEARCH1:TRIGger:A:LOWerthreshold:RF_AMPLitude? might return 1.00E-1, indicating that the lower threshold has been set to 0.1V.

Following is an example command sequence showing how to generate a single search mark on the RF_AMPLitude waveform when the waveform is logic 0 (less than 1.5V):

```
SEARCH:SEARCH1:TRIGger:A:LOWerthreshold:RF_AMPLitude 1.5
```

```
SEARCH:SEARCH1:TRIGger:A:LOGIC:INPut:RF_AMPLitude LOW
```

```
SEARCH:SEARCH1:STATE 1
```

```
SEARCH:SEARCH1:LIST? :SEARCH:SEARCH1:LIST
RF_AMPLITUDE,2.4702,2.4702,2.4702,-19.0119E-6,0.0E+0,0.0E+0,
0.0E+0
```

SEARCH:SEARCH<x>:TRIGger:A:LOWerthreshold:RF_FREQUENCY

This command specifies the threshold for RF Frequency vs. Time trace searches. For runt and transition searches, this level is the lower threshold. For other search types, this is the single threshold.

(To specify the upper threshold for runt and transition searches, use the command [SEARCH:SEARCH<x>:TRIGger:A:UPPerthreshold:RF_FREQUENCY.](#))

Conditions	MDO models only.
Group	Search
Syntax	SEARCH:SEARCH<x>:TRIGger:A:LOWerthreshold:RF_FREQUency {<NR3>} SEARCH:SEARCH<x>:TRIGger:A:LOWerthreshold:RF_FREQUency?
Related Commands	TRIGger:A:LOWerthreshold:RF , SEARCH:SEARCH<x>:TRIGger:A:UPPerthreshold:RF_FREQUency
Arguments	<NR3> is a floating point number that specifies the threshold for the time domain trace, in Hz.
Examples	<p>SEARCH:SEARCH1:TRIGger:A:LOWerthreshold:RF_FREQUency 100.0E+6 sets the lower threshold to 100 MHz.</p> <p>SEARCH:SEARCH1:TRIGger:A:LOWerthreshold:RF_FREQUency? might return 100.0E+6, indicating that the lower threshold has been set to 100 MHz.</p> <p>Following is an example command sequence showing how to generate a single search mark on the RF_FREQUency waveform when the waveform is logic 0 (less than 1 MHz):</p> <pre>SEARCH:SEARCH1:TRIGger:A:LOWerthreshold:RF_FREQUency 1.00E+6 SEARCH:SEARCH1:TRIGger:A:LOGic:INPut:RF_FREQUency LOW SEARCH:SEARCH1:STATE 1 SEARCH:SEARCH1:LIST? :SEARCH:SEARCH1:LIST RF_FREQUency,2.4702,2.4702,2.4702,-19.0119E-6,0.0E+0,0.0E+0,0.0E+0</pre>

SEARCH:SEARCH<x>:TRIGger:A:LOWerthreshold:RF_PHASE

This command specifies the lower threshold, in degrees, for searching the RF Phase vs. Time waveform. For runt and transition searches, this level is the lower threshold. For other search types, this is the single threshold.

(To specify the upper threshold for runt and transition searches, use the command [SEARCH:SEARCH<x>:TRIGger:A:UPPerthreshold:RF_PHASE](#).)

Conditions MDO models only.

Group	Search
Syntax	SEARCH:SEARCH<x>:TRIGger:A:LOWerthreshold:RF_PHASE {<NR3>} SEARCH:SEARCH<x>:TRIGger:A:LOWerthreshold:RF_PHASE?
Related Commands	TRIGger:A:LOWerthreshold:RF
Arguments	<NR3> is a floating point number that specifies the threshold for the time domain trace, in degrees.
Examples	<p>SEARCH:SEARCH1:TRIGger:A:LOWerthreshold:RF_PHASE 15 sets the lower threshold for the RF Phase vs. time trace to 15 degrees.</p> <p>SEARCH:SEARCH1:TRIGger:A:LOWerthreshold:RF_PHASE? might return 0.0e+0, indicating that the trace is not turned on.</p> <p>Following is an example command sequence showing how to generate a single search mark on the RF_PHASE waveform when the waveform is logic 0 (less than 45 degrees):</p> <pre>SEARCH:SEARCH1:TRIGger:A:LOWerthreshold:RF_PHASE 4.500E+1 SEARCH:SEARCH1:TRIGger:A:LOGic:INPut:RF_PHASE LOW SEARCH:SEARCH1:STATE 1 SEARCH:SEARCH1:LIST? :SEARCH:SEARCH1:LIST RF_PHASE,2.4702,2.4702,2.4702,-19.0119E-6,0.0E+0,0.0E+0, 0.0E+0</pre>

SEARCH:SEARCH<x>:TRIGger:A:PULSEWidth:HIGHLimit

This command specifies the upper limit, in seconds, when searching the record for pulses whose widths are within or outside of a specified range of two values. (Use [SEARCH:SEARCH<x>:TRIGger:A:PULSEWidth:LOWLimit](#) to specify the lower limit of the range.)

Group	Search
Syntax	SEARCH:SEARCH<x>:TRIGger:A:PULSEwidth:HIGHLimit <NR3> SEARCH:SEARCH<x>:TRIGger:A:PULSEwidth:HIGHLimit?
Related Commands	SEARCH:SEARCH<x>:TRIGger:A:PULSEWidth:WHEn , SEARCH:SEARCH<x>:TRIGger:A:PULSEWidth:LOWLimit

Arguments <NR3> is a floating point number that represents the higher value of a range.

Examples To find all pulses in the waveform record with durations (widths) that fall outside of the range of 100 nanoseconds to 110 nanoseconds:

```
SEARCH:SEARCH1:TRIGGER:A:PULSEwidth:LOWLimit 100.0E-9
```

```
SEARCH:SEARCH1:TRIGGER:A:PULSEwidth:HIGHLimit 110.0E-9
```

```
SEARCH:SEARCH1:TRIGGER:A:PULSEwidth:WHEN OUTside
```

SEARCH:SEARCH<x>:TRIGGER:A:PULSEwidth:LOWLimit

This command specifies the lower limit, in seconds, when searching the record for pulses whose widths are within or outside of a specified range of two values. (Use [SEARCH:SEARCH<x>:TRIGGER:A:PULSEwidth:HIGHLimit](#) to specify the upper limit of the range.)

Group Search

Syntax SEARCH:SEARCH<x>:TRIGGER:A:PULSEwidth:LOWLimit <NR3>
SEARCH:SEARCH<x>:TRIGGER:A:PULSEwidth:LOWLimit?

Related Commands [SEARCH:SEARCH<x>:TRIGGER:A:PULSEwidth:HIGHLimit](#),
[SEARCH:SEARCH<x>:TRIGGER:A:PULSEwidth:WHEN](#)

Arguments <NR3> is a floating point number that represents the lower value of a range.

Examples To find all pulses in the waveform record with durations (widths) that fall outside of the range of 100 nanoseconds to 110 nanoseconds:

```
SEARCH:SEARCH1:TRIGGER:A:PULSEwidth:LOWLimit 100.0E-9
```

```
SEARCH:SEARCH1:TRIGGER:A:PULSEwidth:HIGHLimit 110.0E-9
```

```
SEARCH:SEARCH1:TRIGGER:A:PULSEwidth:WHEN OUTside
```

SEARCH:SEARCH<x>:TRIGGER:A:PULSEwidth:POLarity

This command specifies the polarity for a pulse search to determine where to place a mark. SEARCH<x> is the search number, which is always 1.

Group Search

Syntax SEARCH:SEARCH<x>:TRIGger:A:PULSEwidth:POLarity
{NEGative|POSitive}
SEARCH:SEARCH<x>:TRIGger:A:PULSEwidth:POLarity?

Arguments POSITIVE places a mark only when the polarity of the pulse is positive.
NEGative places a mark only when the polarity of the pulse is negative.

SEARCH:SEARCH<x>:TRIGger:A:PULSEwidth:SOURce

This command specifies the source waveform for a pulse search to determine where to place a mark. SEARCH<x> is the search number, which is always 1.

Group Search

Syntax SEARCH:SEARCH<x>:TRIGger:A:PULSEwidth:SOURce
{CH1|CH2|CH3|CH4|MATH|REF1|REF2|REF3|REF4|D0|D1|D2|D3|D4
|D5|D6|D7|D8|D9|D10|D11|D12|D13|D14|D15|RF_AMPliitude|
RF_FREQuency|RF_PHASE}
SEARCH:SEARCH<x>:TRIGger:A:PULSEwidth:SOURce?

Arguments CH1–4 specifies an analog channel as the source waveform.
MATH specifies the math waveform as the source waveform.
REF1–4 specifies a reference waveform as the source waveform.
D0–D15 specifies a digital channel as the source waveform.
RF_AMPliitude|RF_FREQuency|RF_PHASE specify an RF vs. time trace as the source.

SEARCH:SEARCH<x>:TRIGger:A:PULSEwidth:WHEn

This command specifies to search the waveform record for pulses with a width (duration) that is less than, greater than, equal to, or unequal to a specified value (set using [SEARCH:SEARCH<x>:TRIGger:A:PULSEwidth:WIDTH](#)), OR whose widths fall outside of or within a specified range of two values (set using [SEARCH:SEARCH<x>:TRIGger:A:PULSEwidth:LOWLimit](#) and [SEARCH:SEARCH<x>:TRIGger:A:PULSEwidth:HIGHLimit](#)). SEARCH<x> is the search number, which is always 1.

Group Search

Syntax SEARCH:SEARCH<x>:TRIGger:A:PULSEwidth:WHEn
 {LESSthan|MOREthan|EQua1|UNEQua1|WIThin|OUTSide}
 SEARCH:SEARCH<x>:TRIGger:A:PULSEwidth:WHEn?

Arguments LESSthan searches for pulse widths less than the time set using the SEARCH:SEARCH<x>:TRIGger:A:PULSEwidth:WIDth command.
 MOREthan searches for pulse widths greater than the time set using the SEARCH:SEARCH<x>:TRIGger:A:PULSEwidth:WIDth command.
 EQua1 searches for pulse widths equal to the time set by the SEARCH:SEARCH<x>:TRIGger:A:PULSEwidth:WIDth command within a tolerance of ±5%.
 UNEQua1 searches for pulse widths unequal to the time set using SEARCH:SEARCH<x>:TRIGger:A:PULSEwidth:WIDth within a tolerance of ±5%.
 WIThin searches for pulse widths less than the specified HIGHLimit and greater than the specified LOWLimit. The limits are specified using SEARCH:SEARCH<x>:TRIGger:A:PULSEwidth:LOWLimit and SEARCH:SEARCH<x>:TRIGger:A:PULSEwidth:HIGHLimit.
 OUTSide searches for pulse widths greater than the specified HIGHLimit or less than the specified LOWLimit. The limits are specified using SEARCH:SEARCH<x>:TRIGger:A:PULSEwidth:LOWLimit and SEARCH:SEARCH<x>:TRIGger:A:PULSEwidth:HIGHLimit.

Examples SEARCH:SEARCH<x>:TRIGger:A:PULSEwidth:WHEn LESSTHAN 2.0000E-9 causes the oscilloscope to search the record for pulses shorter than 2 ns duration.

SEARCH:SEARCH<x>:TRIGger:A:PULSEwidth:WHEn? might return SEARCH:SEARCH<x>:TRIGGER:A:PULSEWIDTH:WHEN GREATER THAN 2.0000E-9 indicating that searches are set to detect pulses greater than 2 ns duration.

To find all pulses in the waveform record with durations (widths) that fall outside of the range of 100 nanoseconds to 110 nanoseconds:

SEARCH:SEARCH1:TRIGger:A:PULSEwidth:LOWLimit 100.0E-9

SEARCH:SEARCH1:TRIGger:A:PULSEwidth:HIGHLimit 110.0E-9

SEARCH:SEARCH1:TRIGger:A:PULSEwidth:WHEn OUTSide

SEARCH:SEARCH<x>:TRIGger:A:PULSEwidth:WIDth

This command specifies the width setting to use, in seconds, when searching the waveform record for pulses of a certain width (duration). SEARCH<x> is the search number, which is always 1.

Group	Search
Syntax	SEARCH:SEARCH<x>:TRIGger:A:PULSEwidth:WIDth <NR3> SEARCH:SEARCH<x>:TRIGger:A:PULSEwidth:WIDth?
Arguments	<NR3> is a floating point number that specifies the pulse width.
Examples	SEARCH:SEARCH<x>:TRIGger:A:PULSEwidth:WIDth 5.0E-6 sets the pulse width to search for to 5 μ s in duration. SEARCH:SEARCH<x>:TRIGger:A:PULSEwidth:WIDth? might return SEARCH:SEARCH<x>:TRIGGER:A:PULSEWIDTH:WIDTH 2.0000E-9 indicating that the oscilloscope is set to search for pulses of 2 ns in duration.

SEARCH:SEARCH<x>:TRIGger:A:RUNT:POLarity

This command specifies the polarity setting for a runt search to determine where to place a mark. SEARCH<x> is the search number, which is always 1.

Group	Search
Syntax	SEARCH:SEARCH<x>:TRIGger:A:RUNT:POLarity {EITHer NEGative POSitive} SEARCH:SEARCH<x>:TRIGger:A:RUNT:POLarity?
Arguments	POSitive places a mark when the rising edge crosses the low threshold and the falling edge re-crosses the low threshold without either edge ever crossing the high threshold. NEGative places a mark when the falling edge crosses the high threshold and the rising edge re-crosses the high threshold without either edge ever crossing the low threshold. EITHer places a mark on a runt of either polarity.

SEARCH:SEARCH<x>:TRIGger:A:RUNT:SOURce

This command specifies the source setting for a runt search to determine where to place a mark. SEARCH<x> is the search number, which is always 1.

Group	Search
Syntax	SEARCH:SEARCH<x>:TRIGger:A:RUNT:SOURce {CH1 CH2 CH3 CH4 MATH REF1 REF2 REF3 REF4 RF_AMPli tude RF_FREQUency RF_PHASE}
	SEARCH:SEARCH<x>:TRIGger:A:RUNT:SOURce?
Arguments	CH1–CH4 specifies an analog channel as the runt search source. MATH specifies the math waveform as the runt search source. REF1–REF4 specifies a reference waveform as the runt search source. RF_AMPli tude RF_FREQUency RF_PHASE specify an RF time domain trace as the source. (MDO models only.)

SEARCH:SEARCH<x>:TRIGger:A:RUNT:WHEn

This command specifies the condition setting for a runt search to determine where to place a mark. SEARCH<x> is the search number, which is always 1.

Group	Search
Syntax	SEARCH:SEARCH<x>:TRIGger:A:RUNT:WHEn {LESthan than EQua l UNEQua l OCCURS}
	SEARCH:SEARCH<x>:TRIGger:A:RUNT:WHEn?
Arguments	LESthan argument sets the oscilloscope to search if the a runt pulse is detected with width less than the time set by the SEARCH:SEARCH<x>:TRIGger:A:RUNT:WIDth command. than argument sets the oscilloscope to search if the a runt pulse is detected with width than the time set by the SEARCH:SEARCH<x>:TRIGger:A:RUNT:WIDth command. EQua l argument sets the oscilloscope to search when the pattern is true for a time period equal to the time period specified in SEARCH:SEARCH<x>:TRIGger:A:RUNT:WIDth within a ±5% tolerance.

UNEQUAL argument sets the oscilloscope to search when the pattern is true for a time period greater than or less than (but not equal) the time period specified in `SEARCH:SEARCH<x>:TRIGGER:A:RUNT:WIDTH` within a $\pm 5\%$ tolerance.

OCCURS argument specifies a search event if a runt of any detectable width occurs.

SEARCH:SEARCH<x>:TRIGGER:A:RUNT:WIDTH

This command specifies the width setting for a runt search to determine where to place a mark. `SEARCH<x>` is the search number, which is always 1.

Group Search

Syntax `SEARCH:SEARCH<x>:TRIGGER:A:RUNT:WIDTH <NR3>`
`SEARCH:SEARCH<x>:TRIGGER:A:RUNT:WIDTH?`

Arguments `<NR3>` is a floating point number that specifies the minimum width, in seconds.

SEARCH:SEARCH<x>:TRIGGER:A:SETHOLD:CLOCK:EDGE

This command specifies the clock slope setting for a setup/hold search to determine where to place a mark. `SEARCH<x>` is the search number, which is always 1.

Group Search

Syntax `SEARCH:SEARCH<x>:TRIGGER:A:SETHOLD:CLOCK:EDGE {FALL|RISe}`
`SEARCH:SEARCH<x>:TRIGGER:A:SETHOLD:CLOCK:EDGE?`

Arguments FALL specifies polarity as the clock falling edge.
 RISe specifies polarity as the clock rising edge.

SEARCH:SEARCH<x>:TRIGGER:A:SETHOLD:CLOCK:SOURce

This command specifies the clock source setting for a setup/hold search to determine where to place a mark. `SEARCH<x>` is the search number, which is always 1.

Group Search

Syntax SEARCH:SEARCH<x>:TRIGger:A:SETHold:CLOCK:SOURce
 {CH1|CH2|CH3|CH4|MATH|REF1|REF3|REF3|REF4|D0|D1|D2|D3|D4
 |D5|D6|D7|D8|D9|D10|D11|D12|D13|D14|D15|RF_AMPli tude|
 RF_FREQUency|RF_PHASe}
 SEARCH:SEARCH<x>:TRIGger:A:SETHold:CLOCK:SOURce?

Related Commands SEARCH:SEARCH<x>:TRIGger:A:SETHold:DATA:SOURce

Arguments CH1–4 specifies an analog channel as the source waveform.
 MATH specifies the math waveform as the source waveform.
 REF1–4 specifies a reference waveform as the source waveform.
 D0–D15 specifies a digital channel as the source waveform.
 RF_AMPli tude|RF_FREQUency|RF_PHASe specifies an RF time domain trace
 as the source waveform.

SEARCH:SEARCH<x>:TRIGger:A:SETHold:CLOCK:THReshold

This command specifies the clock threshold setting for an setup/hold search to determine where to place a mark. SEARCH<x> is the search number, which is always 1.

Group Search

Syntax SEARCH:SEARCH<x>:TRIGger:A:SETHold:CLOCK:THReshold
 {<NR3>|TTL|ECL}
 SEARCH:SEARCH<x>:TRIGger:A:SETHold:CLOCK:THReshold?

Arguments TTL specifies a preset TTL high level of 1.4 V.
 ECL specifies a preset ECL high level of -1.3V.
 <NR3> is a floating point number that specifies the clock level, in volts.

SEARCH:SEARCH<x>:TRIGger:A:SETHold:DATA:SOURce

This command specifies the data source setting for an setup/hold search to determine where to place a mark. <x> is the search number. You cannot specify the same source for both clock and data.

Group Search

Syntax SEARCH:SEARCH<x>:TRIGger:A:SETHold:DATA:SOURce
 {CH1|CH2|CH3|CH4|MATH|REF1|REF2|
 REF3|REF4|D0|D1|D2|D3|D4|D5|D6|D7|D8|D9|D10|D11|D12
 |D13|D14|D15|RF_AMPli tude|RF_FREQuency|RF_PHASE}
 SEARCH:SEARCH<x>:TRIGger:A:SETHold:DATA:SOURce?

Related Commands [SEARCH:SEARCH<x>:TRIGger:A:SETHold:CLOCK:SOURce](#)

Arguments CH1–4 specifies an analog channel as the source.
 MATH specifies the math waveform as the source.
 REF1–4 specifies a reference waveform as the source.
 D0–D15 specifies a digital input as the source (MSO/MDO models only).
 RF_AMPli tude|RF_FREQuency|RF_PHASE specify an RF time domain trace as the source. (MDO models only.)

SEARCH:SEARCH<x>:TRIGger:A:SETHold:DATA:THReshold

This command specifies the data threshold setting for an setup/hold search to determine where to place a mark. SEARCH<x> is the search number, which is always 1.

Group Search

Syntax SEARCH:SEARCH<x>:TRIGger:A:SETHold:DATA:THReshold
 {<NR3>|TTL}
 SEARCH:SEARCH<x>:TRIGger:A:SETHold:DATA:THReshold?

Arguments TTL specifies a preset TTL high level of 1.4 V.
 <NR3> is a floating point number that specifies the clock level, in volts.

SEARCH:SEARCH<x>:TRIGger:A:SETHold:HOLDTime

This command specifies the hold time setting for an setup/hold search to determine where to place a mark. SEARCH<x> is the search number, which is always 1.

Group Search

Syntax SEARCH:SEARCH<x>:TRIGger:A:SETHold:HOLDTime <NR3>
SEARCH:SEARCH<x>:TRIGger:A:SETHold:HOLDTime?

Arguments <NR3> is a floating point number that specifies the hold time setting in seconds. Positive values for hold time occur after the clock edge. Negative values occur before the clock edge.

SEARCH:SEARCH<x>:TRIGger:A:SETHold:SETTime

This command specifies the setup time setting for an setup/hold search to determine where to place a mark. SEARCH<x> is the search number, which is always 1.

Group Search

Syntax SEARCH:SEARCH<x>:TRIGger:A:SETHold:SETTime <NR3>
SEARCH:SEARCH<x>:TRIGger:A:SETHold:SETTime?

Arguments <NR3> is a floating point number that specifies the setup time for setup and hold violation searching.

SEARCH:SEARCH<x>:TRIGger:A:SETHold:THReshold{:MATH|:MATH1}

This command specifies the search setup and hold threshold for the math waveform. This helps to determine where to place search marks. Search<x> is the search number, which is always 1.

Conditions MSO/MDO oscilloscopes only.

Group Search

Syntax SEARCH:SEARCH<x>:TRIGger:A:SETHold:THReshold{:MATH|:MATH1}
<NR3>
SEARCH:SEARCH<x>:TRIGger:A:SETHold:THReshold{:MATH|:MATH1}?

Arguments <NR3> is a floating point number that specifies the lower threshold in volts.

SEARCH:SEARCH<x>:TRIGger:A:SETHold:THReshold:REF<x>

This command specifies the search setup and hold threshold for the selected reference waveform. This helps to determine where to place search marks. Search<x> is the search number, which is always 1. REF<x> is the reference waveform number, which can be 1–4.

Group Search

Syntax SEARCH:SEARCH<x>:TRIGger:A:SETHold:THReshold:REF<x> <NR3>
SEARCH:SEARCH<x>:TRIGger:A:SETHold:THReshold:REF<x>?

Arguments <NR3> is a floating point number that specifies the lower threshold in volts.

SEARCH:SEARCH<x>:TRIGger:A:TIMEOut:POLarity

When searching using the TIMEOut search type, this commands specifies the polarity to be used. Use the command [SEARCH:SEARCH<x>:TRIGger:A:TYPE](#) to specify the timeout search type. SEARCH<x> is the search number, which is always 1.

Group Search

Syntax SEARCH:SEARCH<x>:TRIGger:A:TIMEOut:POLarity
{STAYSHigh|STAYSLow|EITher}

SEARCH:SEARCH<x>:TRIGger:A:TIMEOut:POLarity?

Related Commands [SEARCH:SEARCH<x>:TRIGger:A:TYPE](#)
[SEARCH:SEARCH<x>:TRIGger:A:TIMEOut:SOURce](#)
[SEARCH:SEARCH<x>:TRIGger:A:TIMEOut:TIME](#)

Arguments STAYSHigh — Search when the polarity stays high during the timeout time.
STAYSLow — Search when the polarity stays low during the timeout time.
EITher — Search when the polarity is either high or low.

Examples SEARCH:SEARCH1:TRIGger:A:TIMEOut:POLarity STAYSHigh specifies to search for the condition that the polarity stays high during the timeout time.

SEARCH:SEARCH1:TRIGger:A:TIMEOut:POLarity? might return EITHER. This indicates that the search has been set for timeout when the polarity remains either high or low for longer than the specified timeout time.

SEARCH:SEARCH<x>:TRIGger:A:TIMEOut:SOUrce

When searching using the TIMEOut search type, this command specifies the source. The available sources are live channels, reference waveforms, the math waveform, or the digital channels. The default is channel 1. The timeout search type is selected using [SEARCH:SEARCH<x>:TRIGger:A:TYPE](#). SEARCH<x> is the search number, which is always 1.

Group Search

Syntax SEARCH:SEARCH<x>:TRIGger:A:TIMEOut:SOUrce
 {CH1|CH2|CH3|CH4|MATH|REF1|REF2|REF3|REF4|D0|D1|D2|D3|D4|D5|D6|D7|D8|D9|D10|D11|D12|D13|D14|D15|RF_AMPli_tude|RF_FREQUency|RF_PHASE}

SEARCH:SEARCH<x>:TRIGger:A:TIMEOut:SOUrce?

Related Commands [TRIGger:A:TIMEOut:SOUrce](#)
[SEARCH:SEARCH<x>:TRIGger:A:TYPE](#)
[SEARCH:SEARCH<x>:TRIGger:A:TIMEOut:TIME](#)
[SEARCH:SEARCH<x>:TRIGger:A:TIMEOut:POLarity](#)

Arguments CH1–4 specifies to use one of the analog channels as the source waveform.
 MATH specifies to use the math waveform as the as the source waveform.
 REF1–4 specifies to use one of the reference waveforms 1–4 as the as the source waveform.
 D0–D15 specifies to use one of the digital channels as the source waveform. (MSO/MDO models only.)
 RF_AMPli_tude|RF_FREQUency|RF_PHASE specify an RF time domain trace as the source. (MDO models only.)

Examples SEARCH:SEARCH1:TRIGger:A:TIMEOut:SOUrce CH4 specifies to use channel 4 as the source for the timeout search.

SEARCH:SEARCH1:TRIGger:A:TIMEOut:SOUrce? might return CH1, indicating that channel 1 has been set as the source for the timeout search.

SEARCH:SEARCH<x>:TRIGger:A:TIMEOut:TIME

When searching using the TIMEOut search type, this command specifies the timeout time, in seconds. The default and minimum is 4.0E-9 seconds and the maximum is 8.0 seconds. The resolution is 800.0E-12 which means that the increments of time specified is 800 picoseconds. The timeout search type is selected using [SEARCH:SEARCH<x>:TRIGger:A:TYPE](#). SEARCH<x> is the search number, which is always 1.

Group Search

Syntax SEARCH:SEARCH<x>:TRIGger:A:TIMEOut:TIME <NR3>
SEARCH:SEARCH<x>:TRIGger:A:TIMEOut:TIME?

Related Commands [SEARCH:SEARCH<x>:TRIGger:A:TYPE](#)
[SEARCH:SEARCH<x>:TRIGger:A:TIMEOut:POLarity](#)
[SEARCH:SEARCH<x>:TRIGger:A:TIMEOut:SOUrce](#)

Arguments <NR3> is a floating point number that specifies the timeout time, in seconds. The default is 8.0000E-9.

Examples SEARCH:SEARCH1:TRIGger:A:TIMEOut:TIME 4.0E-9 specifies the timeout time of 4.0 nsec.

SEARCH:SEARCH1:TRIGger:A:TIMEOut:TIME? might return 8.0000E-9, which is the default.

SEARCH:SEARCH<x>:TRIGger:A{:TRANSition|:RISEFall}:DELTatime

This command specifies the transition delta time setting to be used as the value to compare against when a transition time is found. <SEARCH<x> is the search number, which is always 1.

Group Search

Syntax SEARCH:SEARCH<x>:TRIGger:A{:TRANSition|:RISEFall}:DELTatime <NR3>
SEARCH:SEARCH<x>:TRIGger:A{:TRANSition|:RISEFall}:DELTatime?

Arguments <NR3> is a floating point number that specifies the transition time, in seconds.

SEARCH:SEARCH<x>:TRIGger:A{:TRANSition|:RISEFall}:POLarity

This command specifies the polarity setting for an transition search to determine where to place a mark. SEARCH<x> is the search number, which is always 1.

Group	Search
Syntax	SEARCH:SEARCH<x>:TRIGger:A{:TRANSition :RISEFall}:POLarity {EITHer NEGative POSitive} SEARCH:SEARCH<x>:TRIGger:A{:TRANSition :RISEFall}:POLarity?
Arguments	<p>POSitive specifies that a pulse edge must traverse from the lower (most negative) to higher (most positive) level for transition searching to occur.</p> <p>NEGative specifies that a pulse edge must traverse from the upper (most positive) to lower (most negative) level for transition searching to occur.</p> <p>EITHer specifies either positive or negative polarity.</p>

SEARCH:SEARCH<x>:TRIGger:A{:TRANSition|:RISEFall}:SOURce

This command specifies the source for a transition search to determine where to place a mark. SEARCH<x> is the search number, which is always 1.

Group	Search
Syntax	SEARCH:SEARCH<x>:TRIGger:A{:TRANSition :RISEFall}:SOURce {CH1 CH2 CH3 CH4 MATH REF1 REF2 REF3 REF4 RF_AMPliTude RF_FREQUency RF_PHASe} SEARCH:SEARCH<x>:TRIGger:A{:TRANSition :RISEFall}:SOURce?
Arguments	<p>CH1–CH4 specifies one input channel as the source.</p> <p>MATH specifies the math waveform as the source.</p> <p>REF1–REF4 specifies a reference waveform as the source.</p> <p>RF_AMPliTude RF_FREQUency RF_PHASe specify an RF time domain trace as the source. (MDO models only. Also requires installation of an MDO4TRIG application module.)</p>

SEARCH:SEARCH<x>:TRIGger:A{:TRANSition|:RISEFall}:WHEn

This command specifies the condition for a transition search. SEARCH<x> is the search number, which is always 1.

Group Search

Syntax SEARCH:SEARCH<x>:TRIGger:A{:TRANSition|:RISEFall}:WHEn
{SLOWer|FASTer|EQua1|UNEQua1}
SEARCH:SEARCH<x>:TRIGger:A{:TRANSition|:RISEFall}:WHEn?

Arguments FASTer sets the search to occur when the transitioning signal is faster than the set volts/second rate.

SLOWer sets the search to occur when the transitioning signal is slower than the set volts/second rate.

EQua1 sets the search to occur when the transitioning signal is equal to the set volts/second rate within a $\pm 5\%$ tolerance.

UNEQua1 sets the search to occur when the transitioning signal is not equal to the set volts/second rate $\pm 5\%$.

SEARCH:SEARCH<x>:TRIGger:A:TYPE

This command specifies the search type to determine where to place a mark. The default search type is EDGE. SEARCH<x> is the search number, which is always 1.

NOTE. A series of example command sequences showing different searches and triggers is included as an appendix. (See page F-1, Search and Trigger Command Sequence Examples.)

Group Search

Syntax SEARCH:SEARCH<x>:TRIGger:A:TYPE
{EDGE|PULSEwidth|SETHold|RUNt|TRANSition|LOGic|TIMEOut|BUS
(with the appropriate application module installed)}
SEARCH:SEARCH<x>:TRIGger:A:TYPE?

Arguments EDGE is the default search. An edge search occurs when a signal passes through a specified voltage level in a specified direction and is

controlled by the `SEARCH:SEARCH<x>:TRIGger:A:EDGE:SOUrce` and `SEARCH:SEARCH<x>:TRIGger:A:EDGE:SLOpe` commands.

`PULSEWIdth` searches when a pulse is found that has the specified polarity, and is either inside or outside the limits as specified by `SEARCH:SEARCH<x>:TRIGger:A:LOGIc:PATtern:WHEn:LESSLimit` and `SEARCH:SEARCH<x>:TRIGger:A:LOGIc:PATtern:WHEn:MORELimit`. The polarity is selected using the `SEARCH:SEARCH<x>:TRIGger:A:RUNT:POLarity` command.

`SETHoId` specifies a setup and hold search.

`RUNt` searches for when a pulse crosses the first preset voltage threshold, but does not cross the second preset threshold before recrossing the first. The thresholds are set using the `SEARCH:SEARCH<x>:TRIGger:A:LOWerthreshold:CH<x>` and `SEARCH:SEARCH<x>:TRIGger:A:UPPerthreshold:CH<x>` commands.

`TRANSITION` searches for when a pulse crosses both thresholds in the same direction as the specified polarity and the transition time between the two threshold crossings is greater or less than the specified time delta.

`LOGIc` specifies that a search occurs when specified conditions are met, and is controlled by the `SEARCH:A:LOGIc` commands.

`TIMEout` specifies that a search occurs when no pulse is detected in a specified time.

`BUS` specifies that a search occurs when a communications signal is found.

`SEARCH:SEARCH<x>:TRIGger:A:UPPerthreshold:CH<x>`

This command specifies the channel waveform upper threshold to determine where to place a mark. This setting is applied to all channel searches that uses an upper threshold. `SEARCH<x>` is the search number, which is always 1, and `CH<x>` is the channel number, which is 1–4.

Group Search

Syntax `SEARCH:SEARCH<x>:TRIGger:A:UPPerthreshold:CH<x> {TTL}`
`SEARCH:SEARCH<x>:TRIGger:A:UPPerthreshold:CH<x>?`

Arguments TTL specifies a preset TTL high level of 1.4 V.

SEARCH:SEARCH<x>:TRIGger:A:UPPerthreshold:MATH

This command specifies the math waveform upper threshold to determine where to place a mark. This setting is applied to all math waveform searches that uses an upper threshold. <x> is the search number.

Group Search

Syntax SEARCH:SEARCH<x>:TRIGger:A:UPPerthreshold:MATH {TTL}
SEARCH:SEARCH<x>:TRIGger:A:UPPerthreshold:MATH?

Arguments TTL specifies a preset TTL high level of 1.4 V.

SEARCH:SEARCH<x>:TRIGger:A:UPPerthreshold:REF<x>

This command specifies the reference waveform upper threshold to determine where to place a mark. This setting is applied to all reference waveform searches that use an upper threshold. SEARCH<x> is the search number, which is always 1, and REF<x> is the reference channel number, which can be 1–4.

Group Search

Syntax SEARCH:SEARCH<x>:TRIGger:A:UPPerthreshold:REF<x> {TTL}
SEARCH:SEARCH<x>:TRIGger:A:UPPerthreshold:REF<x>?

Arguments TTL specifies a preset TTL high level of 1.4 V.

SEARCH:SEARCH<x>:TRIGger:A:UPPerthreshold:RF_AMPlitude

For a runt or transition search using the RF Amplitude vs. Time trace, this command specifies the upper threshold to be used by the search engine. (To specify the lower threshold, use the command [SEARCH:SEARCH<x>:TRIGger:A:LOWerthreshold:RF_AMPlitude](#).)

Conditions MDO models only.

Group Search

Syntax SEARCH:SEARCH<x>:TRIGger:A:UPPerthreshold:RF_AMPLitude
{<NR3>}
SEARCH:SEARCH<x>:TRIGger:A:UPPerthreshold:RF_AMPLitude?

Related Commands [TRIGger:A:UPPerthreshold:RF](#)

Arguments <NR3> is a floating point number that specifies the threshold for the time domain trace, in volts.

Examples SEARCH:SEARCH1:TRIGger:A:UPPerthreshold:RF_AMPLitude 1 sets the upper threshold to 1V.

SEARCH:SEARCH1:TRIGger:A:UPPerthreshold:RF_AMPLitude? might return 1.000E+0, indicating that the upper threshold has been set to 1V.

SEARCH:SEARCH<x>:TRIGger:A:UPPerthreshold:RF_FREQUency

For a runt or transition search using the RF Frequency vs. Time trace, this command specifies the upper threshold to be used by the search engine. (To specify the lower threshold, use the command [SEARCH:SEARCH<x>:TRIGger:A:LOWerthreshold:RF_AMPLitude](#).)

Conditions MDO models only.

Group Search

Syntax SEARCH:SEARCH<x>:TRIGger:A:UPPerthreshold:RF_FREQUency
{<NR3>}
SEARCH:SEARCH<x>:TRIGger:A:UPPerthreshold:RF_FREQUency?

Related Commands [TRIGger:A:UPPerthreshold:RF](#)

Arguments <NR3> is a floating point number that specifies the threshold for the time domain trace, in Hz.

Examples SEARCH:SEARCH1:TRIGger:A:UPPerthreshold:RF_FREQUency
100.0E+6 sets the upper threshold to 100 MHz.

SEARCH:SEARCH1:TRIGger:A:UPPerthreshold:RF_FREQUency? might return 100.0E+6, indicating that the upper threshold has been set to 100 MHz.

SEARCH:SEARCH<x>:TRIGger:A:UPPerthreshold:RF_PHASE

This command specifies the upper threshold to be used by the search engine when performing a runt or transition search using the RF Phase vs. Time trace.

(To specify the lower threshold, use the command [SEARCH:SEARCH<x>:TRIGger:A:LOWerthreshold:RF_AMPlitude](#).)

Conditions MDO models only.

Group Search

Syntax SEARCH:SEARCH<x>:TRIGger:A:UPPerthreshold:RF_PHASE {<NR3>}
SEARCH:SEARCH<x>:TRIGger:A:UPPerthreshold:RF_PHASE?

Related Commands [TRIGger:A:UPPerthreshold:RF](#)

Arguments <NR3> is a floating point number that specifies the threshold for the time domain trace, in degrees.

Examples SEARCH:SEARCH1:TRIGger:A:UPPerthreshold:RF_PHASE 15 sets the upper threshold to 15 degrees.

SEARCH:SEARCH1:TRIGger:A:UPPerthreshold:RF_PHASE? might return 15, indicating that the upper threshold has been set to 15 degrees.

SEARCH:SPECTral:LIST? (Query Only)

This query will return a list of all automatically placed peak markers displayed in the frequency domain graticule. (To return information about manual markers, use the [MARKER:M<x>](#) commands.) This query returns entries in the form of an enumeration value, which is the source waveform, as well as 7 <NR3> values, which specify the automatic peak marker attributes.

If manual markers are not turned on, this list will also include the Reference Marker. (To determine which value is the Reference Marker, query using [RF:REFLevel](#) and compare it with the values.) If manual markers are turned on, this list will not include the Reference Marker (when manual markers are turned on, the Reference Marker is [MARKER:M1](#)).

Conditions MDO models only.

Group	RF
Syntax	SEARCH:SPECTra1:LIST?
Related Commands	MARKER:PEAK:THReshold , MARKER:TYPE , MARKER:PEAK:STATE MARKER:PEAK:MAXimum
Returns	<p>The query is returned in the form:</p> <p>(<Enum>,<NR3>,<NR3>,<NR3>,<NR3>,<NR3>,<NR3>,<NR3>) ...</p> <p><Enum> is the source waveform.</p> <p>The 7 NR3 automatic peak marker attributes returned are as follows:</p> <p>Start — start value in percent of record</p> <p>End — end value in percent of record</p> <p>Focus — focus value in percent of record</p> <p>X value — horizontal value of the focus point in the mark's waveform units</p> <p>Y value — vertical value of the focus point in the mark's waveform units</p> <p>Delta X value — difference from the Reference Marker.</p> <p>Delta Y value — difference from the Reference Marker.</p> <p>If no user time marks have been set, the query returns NONE,0.0E0,0.0E0,0.0E0,0.0E0,0.0E0,0.0E0,0.0E0.</p>
Examples	<p>SEARCH:SPECTra1:LIST? might return</p> <pre>RF_NORMAL,50.2000,50.2000,50.2000,100.0000E+6,3.6624,0.0E+0,0.0E+0; RF_NORMAL,70.2000,70.20 00,70.2000,200.0000E+6,-45.7444,0.0E+0,0.0E+0; RF_NORMAL,90.2000,90.2000,90.2000,300.0000E+ 6,-43.6428,0.0E+0,0.0E+0</pre> <p>This indicates that the markers automatically mark three peaks on the RF Normal trace. Each marker is delineated by a semicolon. The values that follow each RF_NORMAL record are Start, End, Focus, X value, Y value, Delta X value, Delta Y value, respectively.</p>

SElect

This command turns the selected waveform display on or off.

Group Vertical

Syntax `SElect {ON|OFF|1|0}`
`SElect?`

Arguments ON or 1 turns the selected waveform display on.
 OFF or 0 turns the selected waveform display off.

Examples `SELECT?` might return the following
`:SELECT:BUS1 0;BUS2 0;CH1 1;CH2 0;CH3 0;CH4 0;MATH 0;REF1 0;REF2 0;REF3 0;REF4 0;CONTROL CH1`

SElect:{BUS<x>|B<x>}

This command turns on and off the display of the waveform for <x>, where x is the bus number 1-4 (can be 1-4). The query returns whether the channel is on or off but does not indicate whether it is the selected waveform.

Group Vertical

Syntax `SElect:{BUS<x>|B<x>} {OFF|ON|0|1}`
`SElect:{BUS<x>|B<x>}?`

Arguments ON or 1 turns the selected waveform display on.
 OFF or 0 turns the selected waveform display off.

SElect:CH<x>

Turns the display of the channel <x> waveform on or off, where <x > is the channel number, which can be 1-4. This command also resets the acquisition. The query returns whether the channel is on or off but does not indicate whether it is the selected waveform.

Group Vertical

Syntax `SElect:CH<x> {ON|OFF|1|0}`
`SElect:CH<x>?`

Arguments ON or 1 turns on the display of the specified waveform. This waveform also becomes the selected waveform.

OFF or 0 turns off the display of the specified waveform.

Examples `SELECT:CH2 ON` turns the channel 2 waveform display on, and selects channel 2.
`SELECT:CH1?` might return `:SELECT:CH1 1` indicating that channel 1 is being displayed.

SElect:CONTROL

This command selects a waveform to be used with channel-related commands such as the cursor commands. In addition to selecting the waveform, it turns on the display of the waveform, if it wasn't on already.

Group Vertical

Syntax `SElect:CONTROL {CH1|CH2|CH3|CH4`
`|MATH|REF1|REF2|REF3|REF4|BUS1|BUS2|BUS3|BUS4|D0|D1|D2|D3|D4`
`|D5|D6|D7|D8|D9|D10|D11|D12|D13|D14|D15|RF_AMPli tude|RF_FREQuency`
`|RF_PHASE|RF_NORMa l|RF_AVErage| RF_MAXHo l d|RF_MINHo l d}`
`SElect:CONTROL?`

Arguments `CH1-4` specifies a channel waveform as the waveform affected by the front-panel controls.
`MATH` specifies the math waveform as the waveform that is affected by the front-panel controls.
`BUS1-4` specifies a bus waveform as the waveform affected by the front-panel controls.
`D0-D15` specifies a digital waveform as the waveform affected by the front-panel controls. (MSO/MDO models only).
`|RF_AMPli tude|RF_FREQuency|RF_PHASE|RF_NORMa l|RF_AVErage|RF_MAXHo l d|RF_MINHo l d` specify an RF trace as the waveform affected by the front-panel controls (MDO4000 models only).

Returns NONE if all the channels are turned off. NONE is ignored on input.

Examples `SELECT:CONTROL CH2` resets acquisition displays on channel 2, and causes the selected waveform to be the implied object of waveform commands.
`SELECT:CONTROL?` might return `:SELECT:CONTROL MATH` indicating that math is the implied object of waveform commands.

SElect:DA11 (No Query Form)

This command turns on or off all digital channels (D0 — D15).

NOTE. *This command applies only to MSO/MDO models.*

Group	Vertical
Syntax	SElect:DA11 {ON OFF 0 1}
Related Commands	SElect:CONTROI:SElect:CONTROI:SElect:D<0-15> SElect:D<x>
Arguments	This command takes a Boolean argument, which means it can be used to either turn all digital channels on or all digital channels off.
Examples	SElect:DA11 1 turns on all digital channels.

SElect:D<x>

Turns on the display of the digital channel <x> and resets the acquisition. <x > is the channel number, which can be 0–15. The query returns whether the channel is on or off but does not indicate whether it is the selected waveform.

Group	Vertical
Syntax	SElect:D<x> {<NR1> OFF ON} SElect:D<x>?
Arguments	ON turns on the display of the specified waveform. This waveform also becomes the selected waveform. OFF turns off the display of the specified waveform. <NR1> = 0 turns off the display of the specified waveform; any other value turns on the display of the specified waveform.
Examples	SELECT:D2 ON turns the digital channel 2 waveform display on, and selects digital channel 2.

SELECT:D2? might return :SELECT:D2 1 indicating that digital channel 2 is being displayed.

SElect{:MATH|:MATH1}

Turns on and off the display of the math waveform. The query returns whether the math waveform is on or off but does not indicate whether it is the selected waveform.

Group Vertical

Syntax SElect{:MATH|:MATH1} {ON|OFF|<NR1>}
SElect{:MATH|:MATH1}?

Arguments ON turns on the display of the specified waveform. This waveform also becomes the selected waveform.

OFF turns off the display of the specified waveform.

<NR1> = 0 turns off the display of the specified waveform; any other value turns on the display of the specified waveform.

Examples SELECT:MATH ON turns the math waveform display on, and selects it.

SELECT:MATH? might return :SELECT:MATH 1 indicating that the math waveform is being displayed.

SElect:REF<x>

Turns on and off the display of the reference waveform <x>. The <x > variable represents the reference channel number, which can be 1–4. The query returns whether the channel is on or off.

Group Vertical

Syntax SElect:REF<x> {ON|OFF|<NR1>}
SElect:REF<x>?

Arguments ON turns on the display of the specified waveform. This waveform also becomes the selected waveform.

OFF turns off the display of the specified waveform.

<NR1> = 0 turns off the display of the specified waveform; any other value turns on the display of the specified waveform.

Examples `SELECT:REF2 ON` turns the channel 2 waveform display on, and selects reference waveform 2.

`SELECT:REF2?` might return `:SELECT:REF2 1` indicating that reference waveform 2 is being displayed.

SElect:RF_AMPlitude

This command switches the RF Amplitude vs. Time trace display on or off in the time domain graticule.

Conditions MDO models only.

Group RF

Syntax `SElect:RF_AMPlitude {OFF|ON|0|1}`
`SElect:RF_AMPlitude?`

Arguments OFF or 0 turns the RF Amplitude vs. Time trace display off.
 ON or 1 turns it on.

SElect:RF_AVErage

This command switches the RF Average trace display on or off in the frequency domain graticule.

Conditions MDO models only.

Group RF

Syntax `SElect:RF_AVErage {OFF|ON|0|1}`
`SElect:RF_AVErage?`

Arguments OFF or 0 turns the RF Average trace display off.
 ON or 1 turns it on.

SElect:RF_FREQUENCY

This command switches the RF Frequency vs. Time trace display on or off in the time domain graticule.

Conditions MDO models only.

Group RF

Syntax SElect:RF_FREQUENCY {OFF|ON|0|1}
SElect:RF_FREQUENCY?

Arguments OFF or 0 turns the RF Frequency vs. Time trace display off.
ON or 1 turns it on.

SElect:RF_MAXHold

This command switches the frequency domain Max Hold trace display on or off in the frequency domain graticule.

Conditions MDO models only.

Group RF

Syntax SElect:RF_MAXHold {OFF|ON|0|1}
SElect:RF_MAXHold?

Arguments OFF or 0 turns the frequency domain Max Hold trace display off.
ON or 1 turns it on.

SElect:RF_MINHold

This command switches the frequency domain Min Hold trace display on or off in the frequency domain graticule.

Conditions MDO models only.

Group RF

Syntax `SElect:RF_MINHold {OFF|ON|0|1}`
`SElect:RF_MINHold?`

Arguments OFF or 0 turns the frequency domain Min Hold display off.
 ON or 1 turns it on.

SElect:RF_NORMAL

This command switches the frequency domain Normal trace display on or off in the frequency domain graticule.

Conditions MDO models only.

Group RF

Syntax `SElect:RF_NORMa1 {OFF|ON|0|1}`
`SElect:RF_NORMa1?`

Arguments OFF or 0 turns the frequency domain Normal trace display off.
 ON or 1 turns it on.

SElect:RF_PHASE

This command switches the RF Phase vs. Time trace display on or off in the time domain graticule.

Conditions MDO models only.

Group RF

Syntax `SElect:RF_PHASE {OFF|ON|0|1}`
`SElect:RF_PHASE?`

Arguments OFF or 0 turns the RF Phase vs. Time trace display off.
 ON or 1 turns it on.

SET? (Query Only)

Returns the commands that list the oscilloscope settings except for configuration information for the calibration values, the [WFMinpre?](#) query, and the [WFMOuppre?](#) query. This query allows you to record or "learn" the current oscilloscope settings. You can use these commands to return the oscilloscope to the state it was in when you made the SET? query. The SET? query always returns command headers, regardless of the setting of the [HEADer|:HDR](#) command. This is because the returned commands are intended to be sent back to the oscilloscope as a command string. The [VERBose](#) command can still be used to specify whether the returned headers should be abbreviated or full-length.

This command is identical to the [*LRN?](#) command.

Group Miscellaneous

Syntax SET?

Related Commands [HEADer|:HDR](#), [*LRN?](#), [VERBose](#)

Examples SET? returns a long response, part of which could be as follows: :SET :ACQUIRE:STOPAFTER RUNSTOP;STATE 1;MODE SAMPLE;NUMENV INFINITE;NUMAVG 16;SAMPLINGMODE RT;:HEADER 1;:LOCK NONE;:LANGUAGE ENGLISH;:VERBOSE 1;:ALIAS:STATE 0;: DISPLAY:COLOR:PALETTE NORMAL;:DISPLAY:STYLE:DOTSONLY 0;:DISPLAY:PERSISTENCE 0.0000;CLOCK 1;GRATICULE FULL;INTENSITY:WAVEFORM 30;GRATICULE 75;BACKLIGHT HIGH;:HARDCOPY:INKSAVER OFF;LAYOUT LANDSCAPE;PREVIEW 0; :SAVE:IMAGE:FILEFORMAT BMP;:SAVE:WAVEFORM:FILEFORMAT INTERNAL;:SAVE:ASSIGN:TYPE SETUP;:TRIGGER:A:MODE AUTO;TYPE EDGE;LEVEL 20.0000E-3;LEVEL:CH1 20.0000E-3;CH2 0.0000;CH3 0.0000;CH4 0.0000;:TRIGGER:A:UPPERTHRESHOLD:CH1 1.4000;CH2 800.0000E-3;CH3 800.0000E-3;CH4 800.0000E-3;: TRIGGER:A:LOWERTHRESHOLD:CH1 20.0000E-3;CH2 0.0000;CH3 0.0000;CH4 0.0000;:TRIGGER:A:HOLDOFF:TIME 20.0000E-9;:TRIGGER:A:EDGE:SOURCE CH1;COUPLING DC;SLOPE RISE;:TRIGGER:A:LOGIC:CLASS SETHOLD;FUNCTION AND;THRESHOLD:CH1 20.0000E-3;CH2 0.0000;CH3 0.0000;CH4 0.0000;:TRIGGER:A:LOGIC:INPUT:CH1 X;CH2 X;CH3 X;CH4 X;CLOCK:SOURCE NONE;EDGE RISE;:TRIGGER:A:LOGIC:PATTERN:INPUT:CH1 X;CH2 X;CH3 X;CH4 X;:TRIGGER:A :LOGIC:PATTERN:WHEN TRUE;WHEN:LESSLIMIT 4.0000E-9;LIMIT 4.0000E-9;:TRIGGER:A :SETHOLD:CLOCK:SOURCE CH1;EDGE RISE;THRESHOLD 20.0000E-3;:TRIGGER:A:SETHOLD:DATA:SOURCE CH2;

SETUP<x>:DATE? (Query Only)

Returns the date when the oscilloscope setup was saved for the specified channel <x>, where x can be 1 through 10.

Group Save and Recall

Syntax SETUP<x>:DATE?

Examples SETUP4:DATE? might return SETUP4:DATE: 04-18-06 which is the setup date for channel 4.

SETUP<x>:LABEL

This command specifies the setup label for the specified channel <x>, where x can be 1 through 10.

Group Save and Recall

Syntax SETUP<x>:LABEL <Qstring>

Arguments <Qstring> is an alphanumeric string of characters, enclosed in quotes, that defines the label text for SETUP<x>. The length of the string is limited to 30 characters.

Examples SETUP:LABEL? might return SETUP1:LABEL: TEST 2 which is the label setup for channel 1.

SETUP<x>:TIME? (Query Only)

Returns the time when the oscilloscope setup was saved for the specified channel <x>, where x can be 1 through 10.

Group Save and Recall

Syntax SETUP<x>:TIME?

Examples SETUP2:TIME? might return “SETUP2:TIME: 15:24:07 which is the setup time for channel 2.

SOCKETServer:ENABle

This command enables or disables the socket server which supports a Telnet or other TCP/IP socket connection to send commands and queries to the instrument. The default state is enabled. (See page 1-9, *Setting Up Remote Communications Software*.)

NOTE. *If the socket server state is 0 (disabled) and this command is sent to enable the socket server when the port is in use by another service, then the error event code 221 (settings conflict) is posted to the event queue, and the socket server remains disabled. In this case, select a different port number and attempt to enable the socket server again.*

Group Miscellaneous

Syntax SOCKETServer:ENABle {ON|OFF|<NR1>}
 SOCKETServer:ENABle?

Related Commands [SOCKETServer:PROTOCOL](#), [SOCKETServer:PORT](#)

Arguments ON enables the socket server.
 OFF disables the socket server.
 <NR1> = 0 disables the socket server; any other value turns it on.

Examples SOCKETServer:ENABle ON enables the socket server.
 SOCKETServer:ENABle? might return 1, indicating that the socket server is enabled (the default).

SOCKETServer:PORT

This command sets the TCPIP port for the socket server connection. If the socket server is enabled and the port specified is in use by another service, then the error event code 221 (Settings conflict) is posted to the event queue and the socket server remains in its current state (i.e. enabled/disabled and port address remain unchanged). The default port is 4000.

Group	Miscellaneous
Syntax	SOCKETServer:PORT <NR1> SOCKETServer:PORT?
Related Commands	SOCKETServer:ENABle, SOCKETServer:PROTOCol
Arguments	<NR1> is an integer that specifies the port for the socket server connection.
Examples	SOCKETServer:PORT 1080 sets the socket server port to port 1080. SOCKETServer:PORT? might return 4000, indicating that port 4000 is currently the TCPIP port for the socket server connection.

SOCKETServer:PROTOCol

This command sets the protocol for the socket server. When set to `TERMiNa1`, a session startup message is sent to the socket, and a command prompt is provided. When set to `NONE`, these features are disabled, allowing the server to be used for raw socket transactions, such as with a VISA socket connection. The default setting is `NONE`. (See page 1-9, *Setting Up Remote Communications Software*.)

Terminal protocol supports the following commands and protocol:

Tektronix Instrument Control Terminal Session Control commands:

Tektronix Instrument Control Terminal Session Control commands:

!t <timeout>: set the response timeout in milliseconds.

!d : send device clear to the instrument.

!r : read response from instrument.

!h : print this usage info.

Commands containing a ? are treated as queries and responses are read automatically.

Note: Backspace key and delete key do not work when sent to the oscilloscope. It is best to use a terminal that supports line editing before sending the line to the oscilloscope.

Group Miscellaneous

Syntax	<code>SOCKETServer:PROTOCOL {TERMiNa1 NONE}</code> <code>SOCKETServer:PROTOCOL?</code>
Related Commands	SOCKETServer:PORT , SOCKETServer:ENAbLe
Arguments	TERMiNa1 specifies that a session startup message be sent to the socket, and a command prompt is provided. NONE disables these features, allowing the server to be used for raw socket transactions.
Examples	<code>SOCKETServer:PROTOCOL TERMiNa1</code> sets the protocol to terminal, so that a session startup message is sent to the socket, and a command prompt is provided. <code>SOCKETServer:PROTOCOL?</code> might return NONE, indicating that the protocol is set to support raw socket connections.

*SRE

The *SRE (Service Request Enable) command specifies the bits in the Service Request Enable Register. (See page 3-1, *Registers*.)

Group	Status and Error
Syntax	<code>*SRE <NR1></code> <code>*SRE?</code>
Related Commands	*CLS , DESE , *ESE , *ESR? , EVENT? , EVMsg? , FACTory , *STB?
Arguments	<NR1> is an integer whose values can be 0, 16, 32, or 48. These correspond to the following *SRE bits: <ul style="list-style-type: none"> 0 – service request is disabled 16 – request service when the MAV (message available) bit (bit 4) of the SBR (status byte register) is true 32 – request service when the ESB (event status) bit (bit 5) of the SBR (status byte register) is true 48 – request service when either the MAV or ESB bits of the SBR (status byte register) is true <p>Other argument values may provide unexpected results.</p>

NOTE. *The power-on default for SRER is 0 if *PSC is 1. If *PSC is 0, the SRER maintains the previous power cycle value through the current power cycle.*

Examples *SRE 48 sets the bits in the SRER to binary 00110000.
 *SRE? might return 32, showing that the bits in the SRER have the binary value of 00100000.

*STB? (Query Only)

*STB? (Read Status Byte) returns the contents of the Status Byte Register (SBR) using the Master Summary Status (MSS) bit. (See page 3-1, *Registers*.)

Group Status and Error

Syntax *STB?

Related Commands *CLS, DESE, *ESE, *ESR?, EVENT?, EVMsg?, FACTory, *SRE

Returns <NR1>

Examples *STB? might return 96, showing that the SBR contains the binary value 01100000.

TEKSecure (No Query Form)

This command initializes both waveform and setup memories, overwriting any previously stored data. These are the [WFMinpre?](#), [WFMOupre?](#), and [DATA](#) command values after the TEKSecure operation.

```
:WFMOUTPRE:BYT_NR 1 :WFMOUTPRE:BIT_NR 8 :WFMOUTPRE:ENCDG
BIN :WFMOUTPRE:BN_FMT RI :WFMOUTPRE:BYT_OR MSB
:WFMOUTPRE:WFID "Ch1, DC coupling, 100.0mV/div,
4.000us/div, 10000 points, Sample mode" :WFMOUTPRE:NR_PT
10000 :WFMOUTPRE:PT_FMT Y :WFMOUTPRE:XUNIT "s"
:WFMOUTPRE:XINCR 4.0000E-9 :WFMOUTPRE:XZERO -20.0000E-6
:WFMOUTPRE:PT_OFF 0 :WFMOUTPRE:YUNIT "V" :WFMOUTPRE:YMULT
4.0000E-3 :WFMOUTPRE:YOFF 0.0000 :WFMOUTPRE:YZERO 0.0000
:WFMINPRE:BYT_NR 1 :WFMINPRE:BIT_NR 8 :WFMINPRE:ENCDG
BIN :WFMINPRE:BN_FMT RI :WFMINPRE:BYT_OR MSB
:WFMINPRE:NR_PT 10000 :WFMINPRE:PT_FMT Y :WFMINPRE:XUNIT
"s" :WFMINPRE:XINCR 4.0000E-9 :WFMINPRE:XZERO 0.0000
```

```
:WFMINPRE:PT_OFF 0 :WFMINPRE:YUNIT "V" :WFMINPRE:YMULT
4.0000E-3 :WFMINPRE:YOFF 0.0000 :WFMINPRE:YZERO 0.0000
DATA:DESTINATION REF1 DATA:ENCDG RIBINARY DATA:SOURCE CH1
DATA:START 1 DATA:STOP 10000 DATA:WIDTH 1
```

NOTE. *The TEKSecure command can take up to five minutes to complete. The oscilloscope is inoperable during this period.*

- Group** Miscellaneous
- Syntax** TEKSecure
- Examples** TEKSECURE initializes both waveform and setup memories.
- This is a program example of how to generate an SRQ when TEKSECURE completes:
- ```
Bit 0 of the DESE (Device Event Status Enable Register)
enables OPC to be reported to the SESR (Standard Event
Status Register)
DESE 255
Bit 0 of the ESER (Event Status Enable Register)
enables OPC to be summarized in the ESB (Event Status
Bit) of the SBR (Status Byte Register)
*ESE 255
Bit 5 of the SRE (Service Request Enable Register)
enables
the generation of SRQ when the ESB bit of the SBR
becomes # TRUE
*SRE 32
TEKSECURE;*OPC
```
- When the TEKSECURE operation has completed, the OPC bit of the SESR will be TRUE and SRQ will have been generated.

## TIME

This command specifies the time that the oscilloscope displays.

- Group** Miscellaneous
- Syntax** TIME <QString>  
TIME?

**Related Commands**    [DATE](#)

**Arguments**    <QString> is a time in the form "hh:mm:ss" where hh refers to a two-digit hour number, mm refers to a two-digit minute number from 00 to 59, and ss refers to a two-digit second number from 00 to 59.

**Examples**    TIME "14:00:00" sets the time to exactly 2:00 p.m.  
 TIME? might return :TIME "14:05:17" indicating the current time is set to 2:05 p.m. and 17 seconds.

## TOTALuptime? (Query Only)

This query returns the total number of hours that the oscilloscope has been powered on since the nonvolatile memory was last programmed (usually since the initial manufacturing process).

**Group**    Miscellaneous

**Syntax**    TOTALuptime?

## \*TRG (No Query Form)

Performs a group execute trigger on commands defined by \*DDT.

**Group**    Miscellaneous

**Syntax**    \*TRG

**Related Commands**    [\\*DDT](#)

**Examples**    \*TRG immediately executes all commands that have been defined by \*DDT.

## TRIGger (No Query Form)

Forces a trigger event to occur.

**Group**    Trigger

**Syntax** TRIGger FORCE  
TRIGger?

**Arguments** FORCE creates a trigger event. If TRIGger:STATE is set to READY, the acquisition will complete. Otherwise, this command will be ignored.

**Examples** TRIGGER FORCE forces a trigger event to occur.

## TRIGger:A

Sets the A trigger level automatically to 50% of the range of the minimum and maximum values of the trigger input signal. The query returns current A trigger parameters. The trigger level is the voltage threshold through which the trigger source signal must pass to generate a trigger event. This command works for the following cases: Edge Trigger (when source is Not Line), Logic Trigger (when Clock Source is not Off or Logic Pattern is Don't Care), and Pulse Width Trigger.

**Group** Trigger

**Syntax** TRIGger:A SETLevel  
TRIGger:A?

**Related Commands** [TRIGger:A:EDGE?](#),  
[TRIGger:A:LOGIC?](#),

**Arguments** SETLevel sets the A trigger level to 50% of the range of the minimum and maximum values of the trigger input signal.

**Examples** TRIGGER:A SETLEVEL sets the A trigger level to 50% of the range of the minimum and maximum values of the trigger input signal.

TRIGGER:A? might return a long response with A trigger parameters, some of which could be as follows: :TRIGGER:A:MODE AUTO;TYPE EDGE;LEVEL 20.0000E-3;LEVEL:CH1 20.0000E-3;CH2 0.0000;CH3 0.0000;CH4 0.0000;:TRIGGER:A:UPPERTHRESHOLD:CH1 1.4000;CH2 800.0000E-3;CH3 8 00.0000E-3;CH4 800.0000E-3;:TRIGGER:A:LOWERTHRESHOLD:CH1 20.0000E-3;CH2 0.0000;CH3 0.0000;CH4 0.0000;:TRIGGER:A:HOLDOFF:TIME 20.0000E-9;:TRIGGER:A:EDGE:SOURCE CH1;COUPLING DC;SLOPE RISE;:TRIGGER:A:LOGIC:CLASS SETHOLD;FUNCTION AND;THRESHOLD: CH1 20.0000E-3;CH2 0.0000;CH3

```

0.0000;CH4 0.0000;:TRIGGER:A:LOGIC:INPUT:CH1
X;CH2 X;CH3 X;CH4 X;CLOCK:SOURCE NONE;EDGE
RISE;:TRIGGER:A:LOGIC:PATTERN:INPUT:CH1 X; CH2
X;CH3 X;CH4 X;:TRIGGER:A:LOGIC:PATTERN:WHEN
TRUE;WHEN:LESSLIMIT 4.0000E-9;MO RELIMIT
4.0000E-9;:TRIGGER:A:SETHOLD:CLOCK:SOURCE CH1;EDGE
RISE;THRESHOLD 20.000 0E-3;:TRIGGER:A:SETHOLD:DATA:SOURCE
CH2;THRESHOLD 0.0000;:TRIGGER:A:SETHOLD:HOLD TIME
4.0000E-9;SETTIME 4.0000E-9;:TRIGGER:A:PULSE:CLASS
TRANSITION;:TRIGGER:A:PULSEWIDTH:SOURCE
CH1;POLARITY POSITIVE;WHEN LESSTHAN;WIDTH
4.0000E-9;:TRIGGER:A:RUNT:SOURCE CH1;POLARITY POSITIVE;WHEN
OCCURS;WIDTH 4.0000E-9;:TRIGGER:A:TRANSITION:SOURCE
CH1;POLARITY POSITIVE;WHEN SLOWER;DELTATIME
4.0000E-9;:TRIGGER:A:VIDEO :POLARITY POSITIVE;SOURCE
CH1;STANDARD NTSC;SYNC ALLLINES;HOLDOFF:FIELD 0.0000;:
TRIGGER:A:VIDEO:CUSTOM:FORMAT PROGRESSIVE;SCAN
RATE15K;:TRIGGER:A:VIDEO:LINE 1;H DTV:FORMAT
HD1080I60;:TRIGGER:A:BUS:SOURCE B1;B1:I2C:CONDITION
START;DATA:VALUE "XXXXXXXX";SIZE 1;START 0.0000;DIRECTION
NOCARE;:TRIGGER:A:BUS:B1:I2C:ADDRESS:MODE
ADDR7;TYPE USER;VALUE
"XXXXXXXX";:TRIGGER:A:BUS:B1:SPI:CONDITION MOSI;DATA:OUT
:VALUE "XXXXXXXX";:TRIGGER:A:BUS:B1:SPI:DATA:IN:VALUE
"XXXXXXXX";:TRIGGER:A:BUS: B1:SPI:DATA:SIZE 1;START 0.0000;:

```

## TRIGger:A:BUS

This command specifies the bus type to trigger on. It supports CAN, I<sup>2</sup>C, SPI, RS-232, Ethernet, MIL-STD-1553, LIN, USB, audio, FlexRay buses (with the appropriate application module installed) as well as parallel signals (MSO4000B and MDO4000 Series oscilloscopes only). There are up to four buses, B1–B4. Each one can be independently set to one of the serial trigger types.

- Conditions**
- For I<sup>2</sup>C or SPI buses, install the DPOEMBD application module.
  - For RS-232, RS-422, RS-485, or UART buses, install the DPO4COMP module.
  - For I<sup>2</sup>S, Left Justified (LJ), Right Justified (RJ), or TDM buses, install the DPO4AUDIO module.
  - For CAN or LIN buses, install the DPO4AUTO or DPO4AUTOMAX module.
  - For FlexRay buses, install the DPO4AUTOMAX module.
  - For Ethernet signals, install the DPO4ENET module. Note that  $\geq 350$  MHz bandwidth models are recommended for 100BASE-TX.
  - For MIL-STD-1553 buses, install the DPO4AERO module.
  - For USB buses, install the DPO4USB module. Note that 1 GHz bandwidth models are recommended for high-speed (HS) USB.

A table is available listing the commands enabled by each application module. (See page G-1, *Application Module-enabled Commands*.)

**Group** Trigger

**Syntax** TRIGger:A:BUS  
 {I2C|SPI|CAN|RS232C|PARa11e1|USB|LIN|FLEXRay|AUDio|  
 ETHERnet|MIL1553B}  
 TRIGger:A:BUS?

**Arguments** I2C specifies the Inter-IC bus.

SPI specifies the Serial Peripheral Interface bus (not available on two-channel models).

CAN specifies the Controller Area Network bus.

RS232C specifies the RS-232C bus.

PARa11e1 specifies the Parallel bus.

USB specifies the USB bus.

LIN specifies the LIN bus.

FLEXRay specifies the FLeXRay bus.

AUDio specifies the audio bus.

ETHERnet specifies the Ethernet bus.

MIL1553B specifies the MIL-STD-1553 bus.

## TRIGger:A:BUS:B<x>:AUDio:CONDition

This command sets the condition (start of frame or matching data) to be used when triggering on an audio bus signal. B<x> is the bus number 1-4, which is 1–4.

**Conditions** This command requires a DPO4AUDIO application module.

**Group** Trigger

**Syntax** TRIGger:A:BUS:B<x>:AUDio:CONDition {SOF|DATA}  
TRIGger:A:BUS:B<x>:AUDio:CONDition?

**Arguments** SOF enables triggering on the start of frame.

DATA enables triggering on matching data.

## TRIGger:A:BUS:B<x>:AUDio:DATa:HIVALue

This command sets the upper word value to be used when triggering on an audio bus signal. The trigger condition must be set to DATA using [TRIGger:A:BUS:B<x>:AUDio:CONDition](#).

B<x> is the bus number 1-4.

**Conditions** This command requires a DPO4AUDIO application module.

**Group** Trigger

**Syntax** TRIGger:A:BUS:B<x>:AUDio:DATa:HIVALue <String>  
TRIGger:A:BUS:B<x>:AUDio:DATa:HIVALue?

## TRIGger:A:BUS:B<x>:AUDio:DATa:OFFSet

This command sets the data offset value to be used when triggering on an audio bus signal. The trigger condition must be set to DATA using [TRIGger:A:BUS:B<x>:AUDio:CONDition](#).

B<x> is the bus number 1-4, which is 1–4.

**Conditions** This command requires a DPO4AUDIO application module.

|                  |                                                                                     |
|------------------|-------------------------------------------------------------------------------------|
| <b>Group</b>     | Trigger                                                                             |
| <b>Syntax</b>    | TRIGger:A:BUS:B<x>:AUDio:DATA:OFFSet <NR1><br>TRIGger:A:BUS:B<x>:AUDio:DATA:OFFSet? |
| <b>Arguments</b> | <NR1> is the data offset value.                                                     |

## TRIGger:A:BUS:B<x>:AUDio:DATA:QUALifier

This command sets the qualifier (<, >, =, <=, >=, not =, in range, out of range) to be used when triggering on an audio bus signal. The trigger condition must be set to DATA using [TRIGger:A:BUS:B<x>:AUDio:CONDition](#).

B<x> is the bus number 1-4, which is 1–4.

|                   |                                                       |
|-------------------|-------------------------------------------------------|
| <b>Conditions</b> | This command requires a DPO4AUDIO application module. |
|-------------------|-------------------------------------------------------|

|                  |                                                                                                                                                                                                                                                                                                                                                                                         |
|------------------|-----------------------------------------------------------------------------------------------------------------------------------------------------------------------------------------------------------------------------------------------------------------------------------------------------------------------------------------------------------------------------------------|
| <b>Group</b>     | Trigger                                                                                                                                                                                                                                                                                                                                                                                 |
| <b>Syntax</b>    | TRIGger:A:BUS:B<x>:AUDio:DATA:QUALifier<br>{LESSthan MOREthan EQua1 UNEQua1 LESSEQua1 MOREEQua1 INrange OUTrange}<br>TRIGger:A:BUS:B<x>:AUDio:DATA:QUALifier?                                                                                                                                                                                                                           |
| <b>Arguments</b> | LESSthan sets the qualifier to less than.<br>MOREthan sets the qualifier to greater than.<br>EQua1 sets the qualifier to equal.<br>UNEQua1 sets the qualifier to not equal.<br>LESSEQua1 sets the qualifier to less than or equal.<br>MOREEQua1 sets the qualifier to greater than or equal.<br>INrange sets the qualifier to in range.<br>OUTrange sets the qualifier to out of range. |

## TRIGger:A:BUS:B<x>:AUDio:DATA:VALue

This command sets the lower word value to be used when triggering on an audio bus signal. The trigger condition must be set to DATA using [TRIGger:A:BUS:B<x>:AUDio:CONDition](#).



B<x> is the bus number 1-4, which is 1–4.

**Conditions** This command requires a DPO4AUDIO application module.

**Group** Trigger

**Syntax** TRIGger:A:BUS:B<x>:AUDio:DATA:VALue <String>  
TRIGger:A:BUS:B<x>:AUDio:DATA:VALue?

**Arguments** <String> specifies the trigger data lower word.

## TRIGger:A:BUS:B<x>:AUDio:DATA:WORD

This command sets the alignment of the data (left, right or either) to be used to trigger on an audio bus signal. The trigger condition must be set to DATA using [TRIGger:A:BUS:B<x>:AUDio:CONDition](#).

B<x> is the bus number 1-4, which is 1–4.

**Conditions** This command requires a DPO4AUDIO application module.

**Group** Trigger

**Syntax** TRIGger:A:BUS:B<x>:AUDio:DATA:WORD {EITHer|LEFt|RIGht}  
TRIGger:A:BUS:B<x>:AUDio:DATA:WORD?

**Arguments** EITHer aligns the trigger data to either left or right.

LEFt aligns the trigger data to the left.

RIGht aligns the trigger data to the right.

## TRIGger:A:BUS:B<x>:CAN:CONDition

This command sets the condition (start of frame, frame type, identifier, matching data, EOF, missing ACK field, bit-stuffing error) to be used when triggering on a CAN bus signal. B<x> is the bus number 1-4, which is 1–4.

**Conditions** Requires a DPO4AUTO application module.

|                  |                                                                                                                                                                                                                                                                                                                                                                                                                                                           |
|------------------|-----------------------------------------------------------------------------------------------------------------------------------------------------------------------------------------------------------------------------------------------------------------------------------------------------------------------------------------------------------------------------------------------------------------------------------------------------------|
| <b>Group</b>     | Trigger                                                                                                                                                                                                                                                                                                                                                                                                                                                   |
| <b>Syntax</b>    | TRIGger:A:BUS:B<x>:CAN:CONDition<br>{SOF FRAMEtype IDentifier DATA IDANDDATA EOF ACKMISS:ERROR}<br>TRIGger:A:BUS:B<x>:CAN:CONDition?                                                                                                                                                                                                                                                                                                                      |
| <b>Arguments</b> | SOF enables triggering on the start of frame.<br>FRAMEtype enables triggering on the type of frame.<br>IDentifier enables triggering on a matching identifier.<br>DATA enables triggering on matching data.<br>IDANDDATA enables triggering on a matching identifier and matching data.<br>EOF enables triggering on the end of frame.<br>ACKMISS enables triggering on a missing acknowledge.<br>ERROR specifies a search based on a bit stuffing error. |
| <b>Examples</b>  | TRIGGER:A:BUS:B1:CAN:CONDITION? might return :TRIGGER:A:BUS:B1:CAN:CONDITION EOF indicating an end of file condition.<br>TRIGGER:A:BUS:B1:CAN:CONDITION DATA enables triggering on matching CAN data.                                                                                                                                                                                                                                                     |

## TRIGger:A:BUS:B<x>:CAN:DATA:DIRection

This command sets the data direction (read, write or “nocare”) to be used to search on a CAN bus signal. The trigger condition must be set to IDentifier (using [TRIGger:A:BUS:B<x>:CAN:CONDition](#)). B<x> is the bus number 1-4, which is 1–4.

|                   |                                                                                                     |
|-------------------|-----------------------------------------------------------------------------------------------------|
| <b>Conditions</b> | Requires a DPO4AUTO application module.                                                             |
| <b>Group</b>      | Trigger                                                                                             |
| <b>Syntax</b>     | TRIGger:A:BUS:B<x>:CAN:DATA:DIRection {READ WRITE NOCARE}<br>TRIGger:A:BUS:B<x>:CAN:DATA:DIRection? |
| <b>Arguments</b>  | READ sets the CAN data direction to READ.<br>WRITE sets the CAN data direction to WRITE.            |

NOCARE sets the CAN data direction to either.

**Examples** TRIGGER:A:BUS:B1:CAN:DATA:DIRECTION WRITE sets the CAN data direction to Write.

## TRIGger:A:BUS:B<x>:CAN:DATA:QUALifier

This command sets the qualifier (<, >, =, not =, <=) to be used when triggering on a CAN bus signal. The trigger condition must be set to IDANDDATA OR DATA (using TRIGger:A:BUS:B<x>:CAN:CONDition). B<x> is the bus number 1-4, which is 1-4.

**Conditions** Requires a DPO4AUTO application module.

**Group** Trigger

**Syntax** TRIGger:A:BUS:B<x>:CAN:DATA:QUALifier  
{LESSthan|Than|Equal|UNEQual|LESSEQual|Equal}  
TRIGger:A:BUS:B<x>:CAN:DATA:QUALifier?

**Arguments** LESSthan sets the oscilloscope to trigger when the data is less than the qualifier value.

Than sets the oscilloscope to trigger when the data is than the qualifier value.

Equal sets the oscilloscope to trigger when the data is equal to the qualifier value.

UNEQual sets the oscilloscope to trigger when the data is not equal to the qualifier value.

LESSEQual sets the oscilloscope to trigger when the data is less than or equal to the qualifier value.

Equal sets the oscilloscope to trigger when the data is than or equal to the qualifier value.

**Examples** TRIGGER:A:BUS:B1:CAN:DATA:QUALIFIER LESSTHAN sets the oscilloscope to trigger when the data is less than the qualifier value.

TRIGGER:A:BUS:B1:CAN:DATA:QUALIFIER? might return  
:TRIGGER:A:BUS:B1:CAN:DATA:QUALIFIER THAN, indicating that the oscilloscope is set to trigger when the data is than the qualifier value.

## TRIGger:A:BUS:B<x>:CAN:DATA:SIZE

This command sets the length of the data string, in bytes, to be used when triggering on a CAN bus signal. The trigger condition must be set to IDANDDATA OR DATA (using [TRIGger:A:BUS:B<x>:CAN:CONDition](#)). B<x> is the bus number 1-4, which is 1–4.

**Conditions** This command requires a DPO4AUTO application module.

**Group** Trigger

**Syntax** TRIGger:A:BUS:B<x>:CAN:DATA:SIZE <NR1>  
TRIGger:A:BUS:B<x>:CAN:DATA:SIZE?

**Arguments** <NR1> is the length of the data string in bytes.

## TRIGger:A:BUS:B<x>:CAN:DATA:VALue

This command sets the binary data value to be used when triggering on a CAN bus signal. The trigger condition must be set to IDANDDATA OR DATA (using [TRIGger:A:BUS:B<x>:CAN:CONDition](#)). B<x> is the bus number 1-4, which is 1–4.

**Conditions** This command requires a DPO4AUTO application module.

**Group** Trigger

**Syntax** TRIGger:A:BUS:B<x>:CAN:DATA:VALue <QString>  
TRIGger:A:BUS:B<x>:CAN:DATA:VALue?

**Arguments** <QString> is the data value in binary format. The only allowed characters in the QString are 0, 1, and X.

**Examples** TRIGGER:A:BUS:B1:CAN:DATA:VALUE 1011 sets the CAN data value to 1011.

## TRIGger:A:BUS:B<x>:CAN:FRAMEtype

This command sets the frame type (data, remote, error or overload) to be used when triggering on a CAN bus signal. The trigger condition must be set to

FRAMEtype (using [TRIGger:A:BUS:B<x>:CAN:CONDition](#)). B<x> is the bus number 1-4, which is 1–4.

|                   |                                                                                                                                                                  |
|-------------------|------------------------------------------------------------------------------------------------------------------------------------------------------------------|
| <b>Conditions</b> | This command requires a DPO4AUTO application module. .                                                                                                           |
| <b>Group</b>      | Trigger                                                                                                                                                          |
| <b>Syntax</b>     | TRIGger:A:BUS:B<x>:CAN:FRAMEtype<br>{DATA REMOte ERRor OVERLoad}<br>TRIGger:A:BUS:B<x>:CAN:FRAMEtype?                                                            |
| <b>Arguments</b>  | DATA specifies a data frame type.<br>REMOte specifies a remote frame type.<br>ERRor specifies an error frame type.<br>OVERLOld specifies an overload frame type. |
| <b>Examples</b>   | TRIGGER:A:BUS:B1:CAN:FRAMETYPE DATA sets the CAN trigger frame type to DATA.                                                                                     |

## TRIGger:A:BUS:B<x>:CAN{:IDentifier|:ADDRESS}:MODE

This command sets the addressing mode (standard or extended format) to be used when triggering on a CAN bus signal. The trigger condition must be set to IDANDDATA OR DATA (using [TRIGger:A:BUS:B<x>:CAN:CONDition](#)). B<x> is the bus number 1-4, which is 1–4.

|                   |                                                                                                                                |
|-------------------|--------------------------------------------------------------------------------------------------------------------------------|
| <b>Conditions</b> | This command requires a DPO4AUTO application module.                                                                           |
| <b>Group</b>      | Trigger                                                                                                                        |
| <b>Syntax</b>     | TRIGger:A:BUS:B<x>:CAN{:IDentifier :ADDRESS}:MODE<br>{STANDARD EXTENDED}<br>TRIGger:A:BUS:B<x>:CAN{:IDentifier :ADDRESS}:MODE? |
| <b>Arguments</b>  | STANDARD specifies the standard addressing mode.<br>EXTENDED specifies the extended addressing mode.                           |

## TRIGger:A:BUS:B<x>:CAN{:IDentifier|:ADDRESS}:VALue

This command sets the binary address value to be used when triggering on a CAN bus signal. The trigger condition must be set to IDANDDATA OR DATA (using [TRIGger:A:BUS:B<x>:CAN:CONDition](#)). B<x> is the bus number 1-4, which is 1-4.

|                   |                                                                                                                                |
|-------------------|--------------------------------------------------------------------------------------------------------------------------------|
| <b>Conditions</b> | This command requires a DPO4AUTO application module.                                                                           |
| <b>Group</b>      | Trigger                                                                                                                        |
| <b>Syntax</b>     | TRIGger:A:BUS:B<x>:CAN{:IDentifier :ADDRESS}:VALue <QString><br>TRIGger:A:BUS:B<x>:CAN{:IDentifier :ADDRESS}:VALue?            |
| <b>Arguments</b>  | <QString> is up to 29 bits specifying the binary identifier value. The only allowed characters in the QString are 0, 1, and X. |
| <b>Examples</b>   | TRIGGER:A:BUS:B1:CAN:IDENTIFIER:VALUE 1011 sets the identifier value to 1011.                                                  |

## TRIGger:A:BUS:B<x>:ETHERnet:CONDition

This command specifies a field or condition within an Ethernet frame to trigger on. B<x> is the bus number 1-4, which is 1-4.

|                         |                                                                                                                                                                                                                                |
|-------------------------|--------------------------------------------------------------------------------------------------------------------------------------------------------------------------------------------------------------------------------|
| <b>Conditions</b>       | This command requires a DPO4ENET application module.                                                                                                                                                                           |
| <b>Group</b>            | Trigger                                                                                                                                                                                                                        |
| <b>Syntax</b>           | TRIGger:A:BUS:B<x>:ETHERnet:CONDition<br>{SFD MACADDRESS MACLENGTH IPHeader TCPHeader DATA EOP IDLE<br> FCSError QTAG}<br><br>TRIGger:A:BUS:B<x>:ETHERnet:CONDition?                                                           |
| <b>Related Commands</b> | Most of the other TRIGger:A:BUS:B<x>:ETHERnet commands are impacted by the setting of this command.<br><br><a href="#">BUS:B&lt;x&gt;:ETHERnet:PROTOcol</a><br><br><a href="#">TRIGger:A:BUS:B&lt;x&gt;:ETHERnet:FRAMETYPe</a> |

[SEARCH:SEARCH<x>:TRIGger:A:BUS:B<x>:ETHERnet:CONDition](#)

- Arguments**
- SFD** — Start of frame delimiter.
  - MACADDRESS** — MAC addresses field.
  - MACLENGTH** — MAC length/type field.
  - IPHeader** — IP header field. This argument is only available when **PROTOCOL** is set to IPv4 (using the command [BUS:B<x>:ETHERnet:PROTOcol](#)).
  - TCPHeader** — TCP header field. This argument is only available when **PROTOCOL** is set to IPv4 (using the command [BUS:B<x>:ETHERnet:PROTOcol](#)).
  - DATA** — TCP/IPv4 or MAC protocol client data field. Use the command [BUS:B<x>:ETHERnet:PROTOcol](#) to specify either TCP/IPv4 or OTHER. If the protocol is set to OTHER, then **DATA** refers to the MAC client data.
  - EOP** — End of Packet field.
  - IDLE** — Idle field.
  - FCSError** — Frame Check Sequence Error (CRC) field.
  - QTAG** — IEEE 802.1Q (VLAN) control information field. In order to use **QTAG** as a trigger condition, the frame type must be set to **QTAG** (using [TRIGger:A:BUS:B<x>:ETHERnet:FRAMETYPE](#)).

- Examples**
- `TRIGger:A:BUS:B1:ETHERnet:CONDition MACADDRESS` sets the trigger field to **MACADDRESS**.
  - `TRIGger:A:BUS:B1:ETHERnet:CONDition?` might return **DATA**.

## TRIGger:A:BUS:B<x>:ETHERnet:DATA:HIVALue

When the Ethernet trigger condition is set to **DATA**, and the qualifier is set to either **INrange** or **OUTrange**, this command specifies the upper data value of the range. (Use the command [TRIGger:A:BUS:B<x>:ETHERnet:DATA:VALue](#) to specify the lower limit of the range.) The default is all X's (don't care). **B<x>** is the bus number 1-4.

- Conditions** This command requires a DPO4ENET application module.
- Group** Trigger
- Syntax** `TRIGger:A:BUS:B<x>:ETHERnet:DATA:HIVALue <QString>`  
`TRIGger:A:BUS:B<x>:ETHERnet:DATA:HIVALue?`





**Examples** `TRIGger:A:BUS:B1:ETHERnet:DATA:OFFSet 36` sets the data offset to 36 bytes.

`TRIGger:A:BUS:B1:ETHERnet:DATA:OFFSet?` might return `-1`, indicating that the data offset value is the default value, `-1`, meaning “don’t care”.

## TRIGger:A:BUS:B<x>:ETHERnet:DATA:SIZE

When the Ethernet trigger condition is set to `DATA`, this command specifies the number of contiguous TCP/IPv4/MAC client data bytes to trigger on. `B<x>` is the bus number 1-4.

**Conditions** This command requires a DPO4ENET application module.

**Group** Trigger

**Syntax** `TRIGger:A:BUS:B<x>:ETHERnet:DATA:SIZE <NR1>`  
`TRIGger:A:BUS:B<x>:ETHERnet:DATA:SIZE?`

**Related Commands** [TRIGger:A:BUS:B<x>:ETHERnet:CONDition](#)  
[TRIGger:A:BUS:B<x>:ETHERnet:QUALifier](#)

**Arguments** The minimum and default values are 1 and maximum is 16, except when the qualifier is set to `Inside Range` or `Outside Range`. In these cases, the maximum size is 4.

**Examples** `TRIGger:A:BUS:B1:ETHERnet:DATA:SIZE 4` sets the oscilloscope to trigger on 4 contiguous data bytes.

`TRIGger:A:BUS:B1:ETHERnet:DATA:SIZE?` might return `6`, indicating that the oscilloscope is set to trigger on 6 contiguous data bytes.

## TRIGger:A:BUS:B<x>:ETHERnet:DATA:VALue

When the Ethernet trigger condition is set to `DATA`, and the qualifier is set to `LESSthan`, `MOREthan`, `EQual`, `UNEQual`, `LESSEQual` or `MOREEQual`, this command specifies the value to trigger on. When the Ethernet trigger condition is set to `DATA`, and the qualifier is set to `INrange` or `OUTrange`, this command specifies the lower limit of the range. (Use the command [TRIGger:A:BUS:B<x>:ETHERnet:DATA:HIVALue](#) to set the upper limit of the range.) The default is all X’s (don’t care). `B<x>` is the bus number 1-4.

**Conditions** This command requires a DPO4ENET application module.

**Group** Trigger

**Syntax** TRIGger:A:BUS:B<x>:ETHERnet:DATA:VALue <QString>  
TRIGger:A:BUS:B<x>:ETHERnet:DATA:VALue?

**Related Commands** [TRIGger:A:BUS:B<x>:ETHERnet:CONDition](#)  
[TRIGger:A:BUS:B<x>:ETHERnet:QUALifier](#)  
[TRIGger:A:BUS:B<x>:ETHERnet:DATA:OFFSet](#)  
[TRIGger:A:BUS:B<x>:ETHERnet:DATA:SIZE](#)  
[TRIGger:A:BUS:B<x>:ETHERnet:DATA:HIVALue](#)

**Arguments** QString is a quoted string where the allowable characters are 0, 1, and X. The allowable number of characters depends on the setting for size (using TRIGger:A:BUS:B<x>:ETHERnet:DATA:SIZE). The bits specified in the quoted string replace the least significant bits, leaving any unspecified upper bits unchanged.

**Examples** TRIGger:A:BUS:B1:ETHERnet:DATA:VALue "00001000" sets the binary data to trigger on to 00001000, assuming the qualifier is set to LESSthan, MOREthan, EQUAL, UNEQUAL, LESSEQUAL or MOREEQUAL, and DATA:SIZE is set to 1 byte.

TRIGger:A:BUS:B1:ETHERnet:DATA:VALue "00001000" sets the lower limit of the range to 00001000, assuming the qualifier is set to INrange or OUTrange, andDATA:SIZE is set to 1 byte.

## TRIGger:A:BUS:B<x>:ETHERnet:FRAMETYPE

This command specifies the Ethernet frame type: either Basic or QTag (IEEE 802.1Q, or VLAN tagging). The default is Basic. B<x> is the bus number 1-4.

---

**NOTE.** Once this command is used to specify QTAG, then the command [TRIGger:A:BUS:B<x>:ETHERnet:CONDition](#) can be used to specify QTAG as the condition to trigger on.

---

**Conditions** This command requires a DPO4ENET application module.

|                         |                                                                                                                                                                                                              |
|-------------------------|--------------------------------------------------------------------------------------------------------------------------------------------------------------------------------------------------------------|
| <b>Group</b>            | Trigger                                                                                                                                                                                                      |
| <b>Syntax</b>           | TRIGger:A:BUS:B<x>:ETHERnet:FRAMETYPe {BASiC QTAG}<br>TRIGger:A:BUS:B<x>:ETHERnet:FRAMETYPe?                                                                                                                 |
| <b>Related Commands</b> | <a href="#">TRIGger:A:BUS:B&lt;x&gt;:ETHERnet:CONDition</a>                                                                                                                                                  |
| <b>Arguments</b>        | BASiC is the standard Ethernet frame.<br>QTAG is the Q-Tag Ethernet frame (also called VLAN tagging.)                                                                                                        |
| <b>Examples</b>         | TRIGger:A:BUS:B1:ETHERnet:FRAMETYPe QTAG sets the frame type to QTag (VLAN tagging).<br><br>TRIGger:A:BUS:B1:ETHERnet:FRAMETYPe? might return BASIC, indicating the frame type is a standard Ethernet frame. |

## TRIGger:A:BUS:B<x>:ETHERnet:IPHeader:DESTinationaddr:VALue

When the Ethernet trigger condition is set to IPHeader, this command specifies the value of the 32-bit destination address that is to be used in the trigger (along with the source address and protocol value). The IP destination address is a standard IP address such as 192.168.0.1. The default is all X's (don't care). B<x> is the bus number 1-4.

|                         |                                                                                                                                                                                                                                                                             |
|-------------------------|-----------------------------------------------------------------------------------------------------------------------------------------------------------------------------------------------------------------------------------------------------------------------------|
| <b>Conditions</b>       | This command requires a DPO4ENET application module.                                                                                                                                                                                                                        |
| <b>Group</b>            | Trigger                                                                                                                                                                                                                                                                     |
| <b>Syntax</b>           | TRIGger:A:BUS:B<x>:ETHERnet:IPHeader:DESTinationaddr:VALue <QString><br>TRIGger:A:BUS:B<x>:ETHERnet:IPHeader:DESTinationaddr:VALue?                                                                                                                                         |
| <b>Related Commands</b> | <a href="#">TRIGger:A:BUS:B&lt;x&gt;:ETHERnet:CONDition</a><br><a href="#">TRIGger:A:BUS:B&lt;x&gt;:ETHERnet:IPHeader:SOURceaddr:VALue</a><br><a href="#">TRIGger:A:BUS:B&lt;x&gt;:ETHERnet:IPHeader:PROTOcol:VALue</a><br><a href="#">BUS:B&lt;x&gt;:ETHERnet:PROTOcol</a> |

**Arguments** QString is a quoted string of up to 32 characters where the allowable characters are 0, 1, and X. The bits specified in the quoted string replace the least significant bits, leaving any unspecified upper bits unchanged.

**Examples** TRIGger:A:BUS:B1:ETHERnet:IPHeader:DESTinationaddr:VALue "00011001001000010110100000000001" sets the IP destination address to trigger on to 192.168.0.1.

TRIGger:A:BUS:B1:ETHERnet:IPHeader:DESTinationaddr:VALue might return "XXXXXXXXXXXXXXXXXXXXXXXXXXXXXXXXXXXX01".

## TRIGger:A:BUS:B<x>:ETHERnet:IPHeader:PROTOcol:VALue

When the Ethernet trigger condition is set to IPHeader, this command specifies the value of the 8-bit protocol field that is to be used in the trigger (along with the source and destination addresses). The default is all X's (don't care). B<x> is the bus number 1-4.

---

**NOTE.** Commonly used protocol values are 1 (ICMP), 2 (IGMP), 6 (TCP) and 17 (UDP).

---

**Conditions** This command requires a DPO4ENET application module.

**Group** Trigger

**Syntax** TRIGger:A:BUS:B<x>:ETHERnet:IPHeader:PROTOcol:VALue <QString>  
TRIGger:A:BUS:B<x>:ETHERnet:IPHeader:PROTOcol:VALue?

**Related Commands** [TRIGger:A:BUS:B<x>:ETHERnet:CONDition](#)  
[TRIGger:A:BUS:B<x>:ETHERnet:IPHeader:SOURceaddr:VALue](#)  
[TRIGger:A:BUS:B<x>:ETHERnet:IPHeader:DESTinationaddr:VALue](#)

**Arguments** QString is a quoted string of up to 8 characters where the allowable characters are 0, 1, and X. The bits specified in the quoted string replace the least significant bits, leaving any unspecified upper bits unchanged.

**Examples** TRIGGER:A:BUS:B1:ETHERNET:IPHEADER:PROTOCOL:VALUE "01010010" would set the value to be used in the trigger to 01010010.

TRIGger:A:BUS:B1:ETHERnet:IPHeader:PROTOcol:VALue? might return "XXXXXXXX".

## TRIGger:A:BUS:B<x>:ETHERnet:IPHeader:SOURceaddr:VALue

When the Ethernet trigger condition is set to IPHeader, this command specifies the value of the 32-bit source address that is to be used in the trigger (along with the destination address and protocol value). The IP source address is a standard IP address such as 192.168.0.1. The default is all X's (don't care).

**Conditions** This command requires a DPO4ENET application module.

**Group** Trigger

**Syntax** TRIGger:A:BUS:B<x>:ETHERnet:IPHeader:SOURceaddr:VALue  
<QString>  
TRIGger:A:BUS:B<x>:ETHERnet:IPHeader:SOURceaddr:VALue?

**Related Commands** [TRIGger:A:BUS:B<x>:ETHERnet:CONDition](#)  
[TRIGger:A:BUS:B<x>:ETHERnet:IPHeader:DESTinationaddr:VALue](#)  
[TRIGger:A:BUS:B<x>:ETHERnet:IPHeader:PROTOcol:VALue](#)

**Arguments** QString is a quoted string of up to 32 characters where the allowable characters are 0, 1, and X. The bits specified in the quoted string replace the least significant bits, leaving any unspecified upper bits unchanged.

**Examples** TRIGger:A:BUS:B1:ETHERnet:IPHeader:SOURceaddr:VALue  
"0001100100100001011010000000001" sets the IP source address to trigger on to 192.168.0.1.  
  
TRIGger:A:BUS:B1:ETHERnet:IPHeader:SOURceaddr:VALue might return "XXXXXXXXXXXXXXXXXXXXXXXXXXXXXXXXXXXX01".

## TRIGger:A:BUS:B<x>:ETHERnet:MAC:ADDRess:DESTination:VALue

When the Ethernet trigger condition is set to MACADDRESS, this command specifies the 48-bit MAC destination address that is to be used in the trigger (along with the source address value). The default is all X's (don't care). B<x> is the bus number 1-4.

---

**NOTE.** *MAC Addresses are 48-bit values such as 08:00:11:1E:C9:AE hex.*

---

|                         |                                                                                                                                                                                                                                                                                                                            |
|-------------------------|----------------------------------------------------------------------------------------------------------------------------------------------------------------------------------------------------------------------------------------------------------------------------------------------------------------------------|
| <b>Conditions</b>       | This command requires a DPO4ENET application module.                                                                                                                                                                                                                                                                       |
| <b>Group</b>            | Trigger                                                                                                                                                                                                                                                                                                                    |
| <b>Syntax</b>           | TRIGger:A:BUS:B<x>:ETHERnet:MAC:ADDRESS:DESTination:VALue<br><QString><br>TRIGger:A:BUS:B<x>:ETHERnet:MAC:ADDRESS:DESTination:VALue?                                                                                                                                                                                       |
| <b>Related Commands</b> | <a href="#">TRIGger:A:BUS:B&lt;x&gt;:ETHERnet:CONDition</a><br><a href="#">TRIGger:A:BUS:B&lt;x&gt;:ETHERnet:MAC:ADDRESS:SOURce:VALue</a>                                                                                                                                                                                  |
| <b>Arguments</b>        | QString is a quoted string of up to 48 characters where the allowable characters are 0, 1, and X. The bits specified in the quoted string replace the least significant bits, leaving any unspecified upper bits unchanged.                                                                                                |
| <b>Examples</b>         | TRIGger:A:BUS:B1:ETHERnet:MAC:ADDRESS:DESTination:VALue<br>"XXXXXXXXXX0101011111100000011110101010101000" would set the<br>MAC destination address to trigger on to XX:35:FC:07:AA:C8 hex.<br><br>TRIGger:A:BUS:B1:ETHERnet:MAC:ADDRESS:DESTination:VALue?<br>might return "XXXXXXXXXX0101011111100000011110101010101000". |

## TRIGger:A:BUS:B<x>:ETHERnet:MAC:ADDRESS:SOURce:VALue

When the Ethernet trigger condition is set to `MACADDRESS`, this command specifies the 48-bit MAC source address value that is to be used in the trigger (along with the destination address value). The default is all X's (don't care). `B<x>` is the bus number 1-4.

---

**NOTE.** *MAC Addresses are 48-bit values such as 08:00:11:1E:C9:AE hex.*

---

|                   |                                                                   |
|-------------------|-------------------------------------------------------------------|
| <b>Conditions</b> | This command requires a DPO4ENET application module.              |
| <b>Group</b>      | Trigger                                                           |
| <b>Syntax</b>     | TRIGger:A:BUS:B<x>:ETHERnet:MAC:ADDRESS:SOURce:VALue<br><QString> |

TRIGger:A:BUS:B<x>:ETHERnet:MAC:ADDRess:SOUrce:VALue?

**Related Commands** [TRIGger:A:BUS:B<x>:ETHERnet:CONDition](#)  
[TRIGger:A:BUS:B<x>:ETHERnet:MAC:ADDRess:DESTination:VALue](#)

**Arguments** QString is a quoted string of up to 48 characters where the allowable characters are 0, 1, and X. The bits specified in the quoted string replace the least significant bits, leaving any unspecified upper bits unchanged.

**Examples** TRIGger:A:BUS:B1:ETHERnet:MAC:ADDRess:SOUrce:VALue  
 "XXXXXXXXXX01010111111000000011110101010101000" would set the  
 MAC destination address to trigger on to XX:35:FC:07:AA:C8 hex.  
 TRIGger:A:BUS:B1:ETHERnet:MAC:ADDRess:SOUrce:VALue? might  
 return "XXXXXXXXXX01010111111000000011110101010101000".

## TRIGger:A:BUS:B<x>:ETHERnet:MAC{:LENGth|:TYPe}:HIVALue

When the Ethernet trigger condition is set to MACLENGth, and the qualifier is set to INrange or OUTrange, this command specifies the upper data value of the range. (Use the command [TRIGger:A:BUS:B<x>:ETHERnet:MAC{:LENGth|:TYPe}:VALue](#) to specify the lower limit of the range.) The default is all X's (don't care). B<x> is the bus number 1-4.

**Conditions** This command requires a DPO4ENET application module.

**Group** Trigger

**Syntax** TRIGger:A:BUS:B<x>:ETHERnet:MAC{:LENGth|:TYPe}:HIVALue  
 <QString>  
 TRIGger:A:BUS:B<x>:ETHERnet:MAC{:LENGth|:TYPe}:HIVALue?

**Related Commands** [TRIGger:A:BUS:B<x>:ETHERnet:CONDition](#)  
[TRIGger:A:BUS:B<x>:ETHERnet:QUALifier](#)  
[TRIGger:A:BUS:B<x>:ETHERnet:MAC{:LENGth|:TYPe}:VALue](#)

**Arguments** QString is a quoted string of up to 16 characters where the allowable characters are 0, 1, and X. The bits specified in the quoted string replace the least significant bits, leaving any unspecified upper bits unchanged.

**Examples** TRIGger:A:BUS:B1:ETHERnet:MAC{:LENGth|:TYPe}:HIVALue  
 “XXXXXXXX00001000” sets the upper limit of the range to the hexadecimal value XX08 (when the trigger condition is set to MACLENGth, and the qualifier is set to INrange or OUTrange) .

TRIGGER:A:BUS:B1:ETHERNET:MAC{:LENGTH|:TYPE}:HIVALUE? might return “XXXXXXXX00001000”.

## TRIGger:A:BUS:B<x>:ETHERnet:MAC{:LENGth|:TYPe}:VALue

When the Ethernet trigger condition is set to MACLENGth, and the qualifier is set to LESSthan, MOREthan, EQUal, UNEQual, LESSEQual or MOREEQual, this command specifies the 16-bit value to trigger on. When the qualifier is set to INrange or OUTrange, this command specifies the lower limit of the range. (Use the command [TRIGger:A:BUS:B<x>:ETHERnet:MAC{:LENGth|:TYPe}:HIVALue](#) to set the upper limit of the range.) The default is all X’s (don’t care). B<x> is the bus number 1-4.

**Conditions** This command requires a DPO4ENET application module.

**Group** Trigger

**Syntax** TRIGger:A:BUS:B<x>:ETHERnet:MAC{:LENGth|:TYPe}:VALue  
 <QString>  
 TRIGger:A:BUS:B<x>:ETHERnet:MAC{:LENGth|:TYPe}:VALue?

**Related Commands** [TRIGger:A:BUS:B<x>:ETHERnet:CONDition](#)  
[TRIGger:A:BUS:B<x>:ETHERnet:QUALifier](#)  
[TRIGger:A:BUS:B<x>:ETHERnet:MAC{:LENGth|:TYPe}:HIVALue](#)

**Arguments** QString is a quoted string of up to 16 characters where the allowable characters are 0, 1, and X. The bits specified in the quoted string replace the least significant bits, leaving any unspecified upper bits unchanged.

**Examples** TRIGger:A:BUS:B1:ETHERnet:MAC{:LENGth|:TYPe}:VALue  
 “XXXXXXXX00001000” sets the MAC length/type value to trigger on the hexadecimal value XX08, assuming the qualifier is set to LESSthan, MOREthan, EQUal, UNEQual, LESSEQual or MOREEQual .

TRIGger:A:BUS:B1:ETHERnet:MAC{:LENGth|:TYPe}:VALue  
 “XXXXXXXX00001000” sets the lower limit of the range to the hexadecimal value XX08, assuming the qualifier is set to INrange or OUTrange .



## TRIGger:A:BUS:B<x>:ETHERnet:QTAG:VALue

When the Ethernet trigger condition is set to QTAG, this command specifies the 32-bit Q-Tag value to trigger on. The default is all X's (don't care). B<x> is the bus number 1-4.

**Conditions** This command requires a DPO4ENET application module.

**Group** Trigger

**Syntax** TRIGger:A:BUS:B<x>:ETHERnet:QTAG:VALue <QString>  
TRIGger:A:BUS:B<x>:ETHERnet:QTAG:VALue?

**Related Commands** [TRIGger:A:BUS:B<x>:ETHERnet:CONDition](#)

**Arguments** QString is a quoted string of up to 32 characters where the allowable characters are 0, 1, and X. The bits specified in the quoted string replace the least significant bits, leaving any unspecified upper bits unchanged.

**Examples** TRIGGER:A:BUS:B1:ETHERNET:QTAG:VALUE  
"XXXXXXXXXXXXXXXXXXXXXXXXX010010001010" would specify to trigger on the Q-Tag value of hexadecimal XXXXX48A.

TRIGGER:A:BUS:B1:ETHERNET:QTAG:VALUE? might return  
"XXXXXXXXXXXXXXXXXXXXXXXXX010010001010".

## TRIGger:A:BUS:B<x>:ETHERnet:QUALifier

This command specifies the qualifier to be used when the Ethernet trigger condition is set to MACLENGth or DATA. Normally, the Ethernet qualifier is set to "Equal to". B<x> is the bus number 1-4.

**Conditions** This command requires a DPO4ENET application module.

**Group** Trigger

**Syntax** TRIGger:A:BUS:B<x>:ETHERnet:QUALifier  
{LESSthan|MOREthan|Equal|UNEQual|LESSEQual|MOREEQual  
|INrange|OUTrange}

TRIGger:A:BUS:B<x>:ETHERnet:QUALifier?

**Related Commands**    [TRIGger:A:BUS:B<x>:ETHERnet:CONDition](#)  
[TRIGger:A:BUS:B<x>:ETHERnet:MAC{:LENGth|:TYPe}:VALue](#)  
[TRIGger:A:BUS:B<x>:ETHERnet:MAC{:LENGth|:TYPe}:HIVALue](#)  
[TRIGger:A:BUS:B<x>:ETHERnet:DATA:VALue](#)  
[TRIGger:A:BUS:B<x>:ETHERnet:DATA:HIVALue](#)

**Examples**    `TRIGger:A:BUS:B1:ETHERnet:QUALifier LESSthan` sets the `MACLENGth` or `DATA` qualifier to less than.

## TRIGger:A:BUS:B<x>:ETHERnet:TCPHeader:ACKnum:VALue

When the Ethernet trigger condition is set to `TCPHeader`, this command specifies the 32-bit acknowledgement number that is to be used in the trigger (along with the destination and source port addresses and the sequence number). The default is all X's (don't care). `B<x>` is the bus number 1-4.

**Conditions**    This command requires a DPO4ENET application module.

**Group**    Trigger

**Syntax**    `TRIGger:A:BUS:B<x>:ETHERnet:TCPHeader:ACKnum:VALue <QString>`  
`TRIGger:A:BUS:B<x>:ETHERnet:TCPHeader:ACKnum:VALue?`

**Related Commands**    [TRIGger:A:BUS:B<x>:ETHERnet:CONDition](#)  
[TRIGger:A:BUS:B<x>:ETHERnet:TCPHeader:DESTinationport:VALue](#)  
[TRIGger:A:BUS:B<x>:ETHERnet:TCPHeader:SOUrceport:VALue](#)  
[TRIGger:A:BUS:B<x>:ETHERnet:TCPHeader:SEQnum:VALue](#)

**Arguments**    `QString` is a quoted string of up to 32 characters where the allowable characters are 0, 1, and X. The bits specified in the quoted string replace the least significant bits, leaving any unspecified upper bits unchanged.

**Examples**    `TRIGger:A:BUS:B1:ETHERnet:TCPHeader:ACKnum:VALue`  
`"XXXXXXXXXXXXXXXXXXXX00001000"` sets the acknowledgement number to be used in the trigger to hexadecimal `XXXXXX08`.

## TRIGger:A:BUS:B<x>:ETHERnet:TCPHeader:DESTinationport:VALue

When the Ethernet trigger condition is set `TCPHeader`, this command specifies the 16-bit destination port address value that is to be used in the trigger (along with the acknowledgement value, source port address and the sequence number). The default is all X's (don't care). `B<x>` is the bus number 1-4.

**Group** Trigger

**Syntax** `TRIGger:A:BUS:B<x>:ETHERnet:TCPHeader:DESTinationport:VALue`  
`<QString>`  
`TRIGger:A:BUS:B<x>:ETHERnet:TCPHeader:DESTinationport:VALue?`

**Related Commands** [TRIGger:A:BUS:B<x>:ETHERnet:CONDition](#)  
[TRIGger:A:BUS:B<x>:ETHERnet:TCPHeader:ACKnum:VALue](#)  
[TRIGger:A:BUS:B<x>:ETHERnet:TCPHeader:SOUrceport:VALue](#)  
[TRIGger:A:BUS:B<x>:ETHERnet:TCPHeader:SEQnum:VALue](#)

**Arguments** `QString` is a quoted string of up to 16 characters where the allowable characters are 0, 1, and X. The bits specified in the quoted string replace the least significant bits, leaving any unspecified upper bits unchanged.

**Examples** `TRIGger:A:BUS:B1:ETHERnet:TCPHeader:DESTinationport:VALue`  
`"XXXXXXXX00100010"` would set the destination port address value that is to be used in the trigger to hexadecimal `XX22`.  
`TRIGger:A:BUS:B1:ETHERnet:TCPHeader:DESTinationport:VALue?`  
might return `"XXXXXXXXXXXXXXXXXX"`.

## TRIGger:A:BUS:B<x>:ETHERnet:TCPHeader:SEQnum:VALue

When the Ethernet trigger condition is set to `TCPHeader`, this command specifies the 32-bit sequence number that is to be used in the trigger (along with the destination and source port addresses and the acknowledgement value). The default is all X's (don't care). `B<x>` is the bus number 1-4.

**Conditions** This command requires a DPO4ENET application module.

**Group** Trigger

|                         |                                                                                                                                                                                                                                                                                          |
|-------------------------|------------------------------------------------------------------------------------------------------------------------------------------------------------------------------------------------------------------------------------------------------------------------------------------|
| <b>Syntax</b>           | TRIGger:A:BUS:B<x>:ETHERnet:TCPHeader:SEQnum:VALue <QString><br>TRIGger:A:BUS:B<x>:ETHERnet:TCPHeader:SEQnum:VALue?                                                                                                                                                                      |
| <b>Related Commands</b> | TRIGger:A:BUS:B<x>:ETHERnet:CONDition<br><br>TRIGger:A:BUS:B<x>:ETHERnet:TCPHeader:ACKnum:VALue<br><br>TRIGger:A:BUS:B<x>:ETHERnet:TCPHeader:SOUrceport:VALue<br><br>TRIGger:A:BUS:B<x>:ETHERnet:TCPHeader:DESTinationport:VALue                                                         |
| <b>Arguments</b>        | QString is a quoted string of up to 32 characters where the allowable characters are 0, 1, and X. The bits specified in the quoted string replace the least significant bits, leaving any unspecified upper bits unchanged.                                                              |
| <b>Examples</b>         | TRIGger:A:BUS:B1:ETHERnet:TCPHeader:SEQnum:VALue<br>"XXXXXXXXXXXXXXXXXXXX000100010001" would set the sequence number that is to be used in the trigger to hexadecimal XXXXX111.<br><br>TRIGger:A:BUS:B1:ETHERnet:TCPHeader:SEQnum:VALue? might return "XXXXXXXXXXXXXXXXXXXX0010010100" . |

## TRIGger:A:BUS:B<x>:ETHERnet:TCPHeader:SOUrceport:VALue

When the Ethernet trigger condition is set to TCPHeader, this command specifies the 16-bit source port address that is to be used in the trigger (along with the destination port address, the sequence number and the acknowledgement number). The default is all X's (don't care). B<x> is the bus number 1-4.

|                         |                                                                                                                                                                                                                              |
|-------------------------|------------------------------------------------------------------------------------------------------------------------------------------------------------------------------------------------------------------------------|
| <b>Conditions</b>       | This command requires a DPO4ENET application module.                                                                                                                                                                         |
| <b>Group</b>            | Trigger                                                                                                                                                                                                                      |
| <b>Syntax</b>           | TRIGger:A:BUS:B<x>:ETHERnet:TCPHeader:SOUrceport:VALue <QString><br>TRIGger:A:BUS:B<x>:ETHERnet:TCPHeader:SOUrceport:VALue?                                                                                                  |
| <b>Related Commands</b> | TRIGger:A:BUS:B<x>:ETHERnet:CONDition<br><br>TRIGger:A:BUS:B<x>:ETHERnet:TCPHeader:ACKnum:VALue<br><br>TRIGger:A:BUS:B<x>:ETHERnet:TCPHeader:SEQnum:VALue<br><br>TRIGger:A:BUS:B<x>:ETHERnet:TCPHeader:DESTinationport:VALue |

**Arguments** QString is a quoted string of up to 16 characters where the allowable characters are 0, 1, and X. The bits specified in the quoted string replace the least significant bits, leaving any unspecified upper bits unchanged.

**Examples** TRIGger:A:BUS:B1:ETHERnet:TCPHeader:SOURceport:VALue  
 “XXXX000010100110” would set the source port address that is to be used in the trigger to hexadecimal X0A6.

TRIGger:A:BUS:B1:ETHERnet:TCPHeader:SOURceport:VALue? might return “XXXXX01001010110”.

## TRIGger:A:BUS:B<x>:FLEXray:CONDition

This command specifies the condition to use when triggering on a FlexRay bus signal (start of frame, frame type, ID, cycle count, header, data, ID and data, EOF, error). B<x> is the bus number 1-4.

**Conditions** Requires a DPO4AUTOMAX application module.

**Group** Trigger

**Syntax** TRIGger:A:BUS:B<x>:FLEXray:CONDition  
 {SOF|FRAMEType|IDentifier|CYCLEcount|HEADer|DATA  
 |IDANDDATA|EOF|ERROR}

TRIGger:A:BUS:B<x>:FLEXray:CONDition?

**Arguments** SOF sets the trigger condition to start of frame.  
 FRAMEType sets the trigger condition to frame type.  
 IDentifier sets the trigger condition to identifier.  
 CYCLEcount sets the trigger condition to cycle count.  
 HEADer sets the trigger condition to header.  
 DATA sets the trigger condition to data.  
 IDANDDATA sets the trigger condition to id and data.  
 EOF sets the trigger condition to end of frame.  
 ERROR sets the trigger condition to error.

**Examples** TRIGGER:A:BUS:B1:FLEXRAY:CONDITION? might return  
 TRIGGER:A:BUS:B1:FLEXRAY:CONDITION SOF indicating the  
 FlexRay condition is start of frame.

## TRIGger:A:BUS:B<x>:FLEXray:CYCLEcount:HIVALue

This command specifies the high value when triggering on a FlexRay bus cycle count field. (Use [TRIGger:A:BUS:B<x>:FLEXray:CYCLEcount:VALue](#) to set the low value.) The trigger condition must be set to CYCLEcount (using [TRIGger:A:BUS:B<x>:FLEXray:CONDition](#)). B<x> is the bus number 1-4.

**Conditions** Requires a DPO4AUTOMAX application module.

**Group** Trigger

**Syntax** TRIGger:A:BUS:B<x>:FLEXray:CYCLEcount:HIVALue <QString>  
 TRIGger:A:BUS:B<x>:FLEXray:CYCLEcount:HIVALue?

**Arguments** <QString> is a quoted string that is the cycle count high value.

**Examples** TRIGGER:A:BUS:B1:FLEXRAY:CYCLECOUNT:HIVALUE "110010" sets the  
 cycle count high value to 110010.

TRIGGER:A:BUS:B1:FLEXRAY:CYCLECOUNT:HIVALUE? might return  
 TRIGGER:A:BUS:B1:FLEXRAY:CYCLECOUNT:HIVALUE "XXXXXX" indicating  
 the cycle count high value is don't care.

## TRIGger:A:BUS:B<x>:FLEXray:CYCLEcount:QUALifier

This command specifies the qualifier (<, >, =, <=, >=, not =, in range, out of range) to use when triggering on the FlexRay bus cycle count field. The trigger condition must be set to CYCLEcount (using [TRIGger:A:BUS:B<x>:FLEXray:CONDition](#)). B<x> is the bus number 1-4.

**Conditions** Requires a DPO4AUTOMAX application module.

**Group** Trigger

**Syntax** TRIGger:A:BUS:B<x>:FLEXray:CYCLEcount:QUALifier  
 {LESSthan|MOREthan|EQua|UNEQua|LESSEQua|MOREEQua|

INrange|OUTrange}

TRIGger:A:BUS:B<x>:FLEXray:CYCLEcount:QUALifier?

**Arguments** LESSthan sets the cycle count qualifier to less than.  
 MOREthan sets the cycle count qualifier to more than.  
 EQUa1 sets the cycle count qualifier to equal.  
 UNEQUa1 sets the cycle count qualifier to not equal.  
 LESSEQUa1 sets the cycle count qualifier to less than or equal.  
 MOREEQUa1 sets the cycle count qualifier to greater than or equal.  
 INrange sets the cycle count qualifier to in range.  
 OUTrange sets the cycle count qualifier to out of range.

**Examples** TRIGGER:A:BUS:B1:FLEXRAY:CYCLECOUNT:QUALIFIER LESSTHAN sets the cycle count qualifier to LESSTHAN.  
 TRIGGER:A:BUS:B1:FLEXRAY:CYCLECOUNT:QUALIFIER? might return TRIGGER:A:BUS:B1:FLEXRAY:CYCLECOUNT:QUALIFIER EQUAL indicating that the cycle count qualifier is set to EQUAL.

## TRIGger:A:BUS:B<x>:FLEXray:CYCLEcount:VALue

This command specifies the low value when triggering on the FlexRay bus cycle count field. (Use [TRIGger:A:BUS:B<x>:FLEXray:CYCLEcount:HIVALue](#) to set the upper value.) The trigger condition must be set to CYCLEcount (using [TRIGger:A:BUS:B<x>:FLEXray:CONDition](#)). B<x> is the bus number 1-4.

**Conditions** Requires a DPO4AUTOMAX application module.

**Group** Trigger

**Syntax** TRIGger:A:BUS:B<x>:FLEXray:CYCLEcount:VALue <QString>  
 TRIGger:A:BUS:B<x>:FLEXray:CYCLEcount:VALue?

**Arguments** <QString> is a quoted binary data string that represents the cycle count low value.

**Examples** TRIGGER:A:BUS:B1:FLEXRAY:CYCLECOUNT:VALUE "11001101" sets the cycle count value to 11001101.

TRIGGER:A:BUS:B1:FLEXRAY:CYCLECOUNT:VALUE? might return TRIGGER:A:BUS:B1:FLEXRAY:CYCLECOUNT:VALUE "XXXXXX" indicating the cycle count value is don't care.

## TRIGger:A:BUS:B<x>:FLEXray:DATA:HIVALue

This command specifies the high value when triggering on the FlexRay bus data field. (Use [TRIGger:A:BUS:B<x>:FLEXray:DATA:VALue](#) to set the lower value.) The trigger condition needs to be set to ID or IDANDDATA (using [TRIGger:A:BUS:B<x>:FLEXray:CONDition](#)). B<x> is the bus number 1-4.

**Conditions** Requires a DPO4AUTOMAX application module.

**Group** Trigger

**Syntax** TRIGger:A:BUS:B<x>:FLEXray:DATA:HIVALue <QString>  
TRIGger:A:BUS:B<x>:FLEXray:DATA:HIVALue?

**Arguments** <QString> is a quoted string that is the binary data high value.

**Examples** TRIGGER:A:BUS:B1:FLEXRAY:DATA:HIVALUE  
"11001101XXXXXXXXXXXXXXXXXXXXXXXXXXXXXXXXXXXXXXXXXXXXXXXXXXXXXXXXXXXX  
XXXXXXXX1" sets the binary data string high value to  
"11001101XXXXXXXXXXXXXXXXXXXXXXXXXXXXXXXXXXXXXXXXXXXXXXXXXXXXXXXXXXXX  
XXXXXXXX1".

TRIGGER:A:BUS:B1:FLEXRAY:DATA:HIVALUE? might  
return TRIGGER:A:BUS:B1:FLEXRAY:DATA:HIVALUE  
"XXXXXXXXXXXXXXXXXXXXXXXXXXXXXXXXXXXXXXXXXXXXXXXXXXXXXXXXXXXXXXXXXXXX  
XXXXXXXX" indicating the binary data string high value is don't care.

## TRIGger:A:BUS:B<x>:FLEXray:DATA:OFFSet

This command specifies the offset of the data string, in bytes, when triggering on the FlexRay bus data field. The trigger condition needs to be set to ID or IDANDDATA (using [TRIGger:A:BUS:B<x>:FLEXray:CONDition](#)). B<x> is the bus number 1-4.

**Conditions** Requires a DPO4AUTOMAX application module.



|                  |                                                                                                                                                                                            |
|------------------|--------------------------------------------------------------------------------------------------------------------------------------------------------------------------------------------|
| <b>Group</b>     | Trigger                                                                                                                                                                                    |
| <b>Syntax</b>    | TRIGger:A:BUS:B<x>:FLEXray:DATA:OFFSet <NR1><br>TRIGger:A:BUS:B<x>:FLEXray:DATA:OFFSet?                                                                                                    |
| <b>Arguments</b> | <NR1> is the offset of the data string in bytes. A byte offset of -1 signifies “don't care”, and no byte offset is used. The instrument will trigger on or match any byte value that fits. |
| <b>Examples</b>  | TRIGGER:A:BUS:B1:FLEXRAY:DATA:OFFSET? might return<br>TRIGGER:A:BUS:B1:FLEXRAY:DATA:OFFSET 0 indicating that a data offset of 0.                                                           |

## TRIGger:A:BUS:B<x>:FLEXray:DATA:QUALifier

This command specifies the qualifier (<, >, =, <=, >=, not =, in range, out of range) to use when triggering on the FlexRay bus data field. The trigger condition needs to be set to ID or IDANDDATA (using [TRIGger:A:BUS:B<x>:FLEXray:CONDition](#)). B<x> is the bus number 1-4.

|                   |                                                                                                                                                                                                                                                                                                                                                                                                                             |
|-------------------|-----------------------------------------------------------------------------------------------------------------------------------------------------------------------------------------------------------------------------------------------------------------------------------------------------------------------------------------------------------------------------------------------------------------------------|
| <b>Conditions</b> | Requires a DPO4AUTOMAX application module.                                                                                                                                                                                                                                                                                                                                                                                  |
| <b>Group</b>      | Trigger                                                                                                                                                                                                                                                                                                                                                                                                                     |
| <b>Syntax</b>     | TRIGger:A:BUS:B<x>:FLEXray:DATA:QUALifier<br>{LESSthan MOREthan EQua UNEQua LESSEQua MOREEQua INrange OUTrange}<br><br>TRIGger:A:BUS:B<x>:FLEXray:DATA:QUALifier?                                                                                                                                                                                                                                                           |
| <b>Arguments</b>  | LESSthan sets the data qualifier to less than.<br>MOREthan sets the data qualifier to greater than.<br>EQua sets the data qualifier to equal.<br>UNEQua sets the data qualifier to not equal.<br>LESSEQua sets the data qualifier to less than or equal.<br>MOREEQua sets the data qualifier to greater than or equal.<br>INrange sets the data qualifier to in range.<br>OUTrange sets the data qualifier to out of range. |

**Examples** TRIGGER:A:BUS:B1:FLEXRAY:DATA:QUALIFIER LESSTHAN sets the data qualifier to LESSTHAN.

TRIGGER:A:BUS:B1:FLEXRAY:DATA:QUALIFIER? might return TRIGGER:A:BUS:B1:FLEXRAY:DATA:QUALIFIER EQUAL indicating the data qualifier is EQUAL.

## TRIGger:A:BUS:B<x>:FLEXray:DATA:SIZE

This command specifies the length of the data string, in bytes, when triggering on the FlexRay bus data field. The trigger condition needs to be set to ID or IDANDDATA (using [TRIGger:A:BUS:B<x>:FLEXray:CONDition](#)). B<x> is the bus number 1-4.

**Group** Trigger

**Syntax** TRIGger:A:BUS:B<x>:FLEXray:DATA:SIZE <NR1>  
TRIGger:A:BUS:B<x>:FLEXray:DATA:SIZE?

**Arguments** <NR1> is the FlexRay data string length, in bytes.

**Examples** TRIGGER:A:BUS:B1:FLEXRAY:DATA:SIZE 8 sets the data string size to 8 bytes.

TRIGGER:A:BUS:B1:FLEXRAY:DATA:SIZE? might return TRIGGER:A:BUS:B1:FLEXRAY:DATA:SIZE 1 indicating the data size is 1 byte.

## TRIGger:A:BUS:B<x>:FLEXray:DATA:VALue

This command specifies the low value when triggering on the FlexRay bus data field. (Use [TRIGger:A:BUS:B<x>:FLEXray:DATA:HIVALue](#) to set the upper value.) The trigger condition needs to be set to ID or IDANDDATA (using [TRIGger:A:BUS:B<x>:FLEXray:CONDition](#)). B<x> is the bus number 1-4.

**Conditions** Requires a DPO4AUTOMAX application module.

**Group** Trigger

**Syntax** TRIGger:A:BUS:B<x>:FLEXray:DATA:VALue <QString>  
TRIGger:A:BUS:B<x>:FLEXray:DATA:VALue?

|                  |                                                                                                                                                                                                                                                                             |
|------------------|-----------------------------------------------------------------------------------------------------------------------------------------------------------------------------------------------------------------------------------------------------------------------------|
| <b>Arguments</b> | <QString> is a quoted string.                                                                                                                                                                                                                                               |
| <b>Examples</b>  | <p>TRIGGER:A:BUS:B1:FLEXRAY:DATA:VALUE "11001101" sets the FlexRay data value for triggering to 11001101.</p> <p>TRIGGER:A:BUS:B1:FLEXRAY:DATA:VALUE? might return<br/> TRIGGER:A:BUS:B1:FLEXRAY:DATA:VALUE "XXXXXXXX" indicating the FlexRay data value is don't care.</p> |

## TRIGger:A:BUS:B<x>:FLEXray:EOFTYPE

This command specifies the end of file type (static, dynamic or any) when triggering on the FlexRay bus EOF field. The trigger condition needs to be set to EOF (using [TRIGger:A:BUS:B<x>:FLEXray:CONDition](#)). B<x> is the bus number 1-4.

|                   |                                                                                                                                                                                                                                            |
|-------------------|--------------------------------------------------------------------------------------------------------------------------------------------------------------------------------------------------------------------------------------------|
| <b>Conditions</b> | Requires a DPO4AUTOMAX application module.                                                                                                                                                                                                 |
| <b>Group</b>      | Trigger                                                                                                                                                                                                                                    |
| <b>Syntax</b>     | <pre>TRIGger:A:BUS:B&lt;x&gt;:FLEXray:EOFTYPE {STATic DYNAMic ANY} TRIGger:A:BUS:B&lt;x&gt;:FLEXray:EOFTYPE?</pre>                                                                                                                         |
| <b>Arguments</b>  | <p>STATic specifies triggering on the STATIC end of file type.</p> <p>DYNAMic specifies triggering on the DYNAMIC end of file type.</p> <p>ANY specifies triggering on a STATIC or DYNAMIC end of file type.</p>                           |
| <b>Examples</b>   | <p>TRIGGER:A:BUS:B1:FLEXRAY:EOFTYPE ANY sets the FlexRay end of file type to ANY.</p> <p>TRIGGER:A:BUS:B1:FLEXRAY:EOFTYPE? might return<br/> TRIGGER:A:BUS:B1:FLEXRAY:EOFTYPE STATIC indicating the FlexRay end of file type is STATIC</p> |

## TRIGger:A:BUS:B<x>:FLEXray:ERRTYPE

This command specifies the error type when triggering on the FlexRay bus signal. The trigger condition needs to be set to ERROR (using [TRIGger:A:BUS:B<x>:FLEXray:CONDition](#)). B<x> is the bus number 1-4.

|                   |                                                                                                                                                                                                                                                                                                                |
|-------------------|----------------------------------------------------------------------------------------------------------------------------------------------------------------------------------------------------------------------------------------------------------------------------------------------------------------|
| <b>Conditions</b> | Requires a DPO4AUTOMAX application module.                                                                                                                                                                                                                                                                     |
| <b>Group</b>      | Trigger                                                                                                                                                                                                                                                                                                        |
| <b>Syntax</b>     | TRIGger:A:BUS:B<x>:FLEXray:ERRTYPE<br>{CRCHeader CRCTrailer SYNCFrame STARTupnosync NULLFRStatic <br>NULLFRDynamic}<br>TRIGger:A:BUS:B<x>:FLEXray:ERRTYPE?                                                                                                                                                     |
| <b>Arguments</b>  | CRCHeader sets the error type to CRCHeader.<br>CRCTrailer sets the error type to CRCTrailer.<br>SYNCFrame sets the error type to SYNCFrame.<br>STARTupnosync sets the error type to STARTupnosync.<br>NULLFRStatic sets the error type to NULLFRStatic.<br>NULLFRDynamic sets the error type to NULLFRDynamic. |
| <b>Examples</b>   | TRIGGER:A:BUS:B1:FLEXRAY:ERRTYPE SYNCFRAME sets the trigger type<br>is SYNCFRAME.<br><br>TRIGGER:A:BUS:B1:FLEXRAY:ERRTYPE? might return<br>TRIGGER:A:BUS:B1:FLEXRAY:ERRTYPE CRCHEADER indicating the<br>FlexRay trigger type is CRCHeader.                                                                     |

## TRIGger:A:BUS:B<x>:FLEXray:FRAMEID:HIVALue

This command specifies the high value when triggering on the FlexRay bus frame ID field. (Use [TRIGger:A:BUS:B<x>:FLEXray:FRAMEID:VALue](#) to set the low value.) The trigger condition needs to be set to IDentifier (using [TRIGger:A:BUS:B<x>:FLEXray:CONDition](#)). B<x> is the bus number 1-4.

|                   |                                                                                                     |
|-------------------|-----------------------------------------------------------------------------------------------------|
| <b>Conditions</b> | Requires a DPO4AUTOMAX application module.                                                          |
| <b>Group</b>      | Trigger                                                                                             |
| <b>Syntax</b>     | TRIGger:A:BUS:B<x>:FLEXray:FRAMEID:HIVALue <QString><br>TRIGger:A:BUS:B<x>:FLEXray:FRAMEID:HIVALue? |
| <b>Arguments</b>  | <QString> is a quoted string that is the binary frame ID high value.                                |

**Examples** TRIGGER:A:BUS:B1:FLEXRAY:FRAMEID:HIVALUE "11001100101" sets the frame ID high value to 11001100101.

TRIGGER:A:BUS:B1:FLEXRAY:FRAMEID:HIVALUE? might return TRIGGER:A:BUS:B1:FLEXRAY:FRAMEID:HIVALUE "XXXXXXXXXXXX" indicating the frame ID high value is "don't care".

## TRIGger:A:BUS:B<x>:FLEXray:FRAMEID:QUALifier

This command specifies the qualifier to use when triggering on the FlexRay bus frame ID field. The trigger condition needs to be set to IDentifier (using [TRIGger:A:BUS:B<x>:FLEXray:CONDition](#)). B<x> is the bus number 1-4.

**Conditions** Requires a DPO4AUTOMAX application module.

**Group** Trigger

**Syntax** TRIGger:A:BUS:B<x>:FLEXray:FRAMEID:QUALifier  
 {LESSthan|MOREthan|Equal|UNEQual|LESSEQual|MOREEqual|INrange|OUTrange}  
 TRIGger:A:BUS:B<x>:FLEXray:FRAMEID:QUALifier?

**Arguments** LESSthan sets the frame ID qualifier to less than.  
 MOREthan sets the frame ID qualifier to greater than.  
 Equal sets the frame ID qualifier to equal.  
 UNEQual sets the frame ID qualifier to not equal.  
 LESSEQual sets the frame ID qualifier to less than or equal.  
 MOREEqual sets the frame ID qualifier to greater than or equal.  
 INrange sets the frame ID qualifier to in range.  
 OUTrange sets the frame ID qualifier to out of range.

**Examples** TRIGGER:A:BUS:B1:FLEXRAY:FRAMEID:QUALIFIER LESSTHAN sets the frame ID qualifier to less than.

TRIGGER:A:BUS:B1:FLEXRAY:FRAMEID:QUALIFIER? might return TRIGGER:A:BUS:B1:FLEXRAY:FRAMEID:QUALIFIER EQUAL indicating the frame ID qualifier is set to equal.

## TRIGger:A:BUS:B<x>:FLEXray:FRAMEID:VALue

This command specifies the low value when triggering on the FlexRay bus frame ID field. (Use [TRIGger:A:BUS:B<x>:FLEXray:FRAMEID:HIVALue](#) to set the high value.) The trigger condition needs to be set to IDentifier (using [TRIGger:A:BUS:B<x>:FLEXray:CONDition](#)). B<x> is the bus number 1-4.

**Conditions** Requires a DPO4AUTOMAX application module.

**Group** Trigger

**Syntax** TRIGger:A:BUS:B<x>:FLEXray:FRAMEID:VALue <QString>  
TRIGger:A:BUS:B<x>:FLEXray:FRAMEID:VALue?

**Arguments** <QString> is a quoted string that is the FlexRay frame ID low value.

**Examples** TRIGGER:A:BUS:B1:FLEXRAY:FRAMEID:VALUE "11001100101" sets the frame ID value to 11001100101.

TRIGGER:A:BUS:B1:FLEXRAY:FRAMEID:VALUE? might return  
TRIGGER:A:BUS:B1:FLEXRAY:FRAMEID:VALUE "XXXXXXXXXXXX" indicating the frame ID value is don't care.

## TRIGger:A:BUS:B<x>:FLEXray:FRAMEType

This command specifies the frame type (normal, payload, null, sync or startup) when triggering on the FlexRay bus signal. The trigger condition needs to be set to FRAMEType (using [TRIGger:A:BUS:B<x>:FLEXray:CONDition](#)). B<x> is the bus number 1-4.

**Conditions** Requires a DPO4AUTOMAX application module.

**Group** Trigger

**Syntax** TRIGger:A:BUS:B<x>:FLEXray:FRAMEType  
{NORMaL|PAYLoad|NULL|SYNC|STARTUp}

TRIGger:A:BUS:B<x>:FLEXray:FRAMEType?

**Arguments**    **NORMAL** specifies the normal frame type.  
**PAYLOAD** specifies the payload frame type.  
**NULL** specifies the null frame type.  
**SYNC** specifies the sync frame type.  
**STARTUP** specifies the startup frame type.

**Examples**    **TRIGGER:A:BUS:B1:FLEXRAY:FRAMETYPE PAYLOAD** sets the frame type to payload.  
**TRIGGER:A:BUS:B1:FLEXRAY:FRAMETYPE?** might return  
**TRIGGER:A:BUS:B1:FLEXRAY:FRAMETYPE NORMAL** indicating the frame type is set to normal.

## TRIGGER:A:BUS:B<x>:FLEXray:HEADER:CRC

This command specifies the CRC portion of the binary header string when triggering on the FlexRay bus signal. The trigger condition needs to be set to **HEADER** (using [TRIGGER:A:BUS:B<x>:FLEXray:CONDITION](#)). **B<x>** is the bus number 1-4.

**Conditions**    Requires a DPO4AUTOMAX application module.

**Group**    Trigger

**Syntax**    **TRIGGER:A:BUS:B<x>:FLEXray:HEADER:CRC <QString>**  
**TRIGGER:A:BUS:B<x>:FLEXray:HEADER:CRC?**

**Arguments**    **<QString>** is a quoted string that is the CRC portion of the binary header string.

**Examples**    **TRIGGER:A:BUS:B1:FLEXRAY:HEADER:CRC "11001100101"** sets the CRC portion of the binary header string to 11001100101.  
**TRIGGER:A:BUS:B1:FLEXRAY:HEADER:CRC?** might return  
**TRIGGER:A:BUS:B1:FLEXRAY:HEADER:CRC "XXXXXXXXXXXX"** indicating the CRC portion of the binary header string is don't care.

## TRIGGER:A:BUS:B<x>:FLEXray:HEADER:CYCLEcount

This command specifies the cycle count portion of the binary header string when triggering on the FlexRay bus header. The trigger condition needs to be set to

HEADer (using [TRIGger:A:BUS:B<x>:FLEXray:CONDition](#)).B<x> is the bus number 1-4.

|                   |                                                                                                                                                                                                                                                   |
|-------------------|---------------------------------------------------------------------------------------------------------------------------------------------------------------------------------------------------------------------------------------------------|
| <b>Conditions</b> | Requires a DPO4AUTOMAX application module.                                                                                                                                                                                                        |
| <b>Group</b>      | Trigger                                                                                                                                                                                                                                           |
| <b>Syntax</b>     | TRIGger:A:BUS:B<x>:FLEXray:HEADER:CYCLEcount <QString><br>TRIGger:A:BUS:B<x>:FLEXray:HEADER:CYCLEcount?                                                                                                                                           |
| <b>Arguments</b>  | <QString> is a quoted string that is the cycle count portion of the binary header string.                                                                                                                                                         |
| <b>Examples</b>   | TRIGGER:A:BUS:B1:FLEXRAY:HEADER:CYCLECOUNT "110010" sets the cycle count to 110010.<br><br>TRIGGER:A:BUS:B1:FLEXRAY:HEADER:CYCLECOUNT? might return TRIGGER:A:BUS:B1:FLEXRAY:HEADER:CYCLECOUNT "XXXXXX" indicating the cycle count is don't care. |

## TRIGger:A:BUS:B<x>:FLEXray:HEADER:FRAMEID

This command specifies the frame ID portion of the binary header string when triggering on the FlexRay bus header. The trigger condition needs to be set to HEADer (using [TRIGger:A:BUS:B<x>:FLEXray:CONDition](#)).B<x> is the bus number 1-4.

|                   |                                                                                                                             |
|-------------------|-----------------------------------------------------------------------------------------------------------------------------|
| <b>Conditions</b> | Requires a DPO4AUTOMAX application module.                                                                                  |
| <b>Group</b>      | Trigger                                                                                                                     |
| <b>Syntax</b>     | TRIGger:A:BUS:B<x>:FLEXray:HEADER:FRAMEID <QString><br>TRIGger:A:BUS:B<x>:FLEXray:HEADER:FRAMEID?                           |
| <b>Arguments</b>  | <QString> is a quoted string that represents the frame ID portion of the binary header string.                              |
| <b>Examples</b>   | TRIGGER:A:BUS:B1:FLEXRAY:HEADER:FRAMEID "11001100101" sets the frame ID portion of the binary header string to 11001100101. |



TRIGGER:A:BUS:B1:FLEXRAY:HEADER:FRAMEID? might return  
 TRIGGER:A:BUS:B1:FLEXRAY:HEADER:FRAMEID "XXXXXXXXXXXX"  
 indicating the frame ID portion of the binary header string is “don't care”.

## TRIGger:A:BUS:B<x>:FLEXray:HEADER:INDBits

This command specifies the indicator bits portion of the binary header string when triggering on the FlexRay bus header. The trigger condition needs to be set to HEADer (using [TRIGger:A:BUS:B<x>:FLEXray:CONDition](#)). B<x> is the bus number 1-4.

|                   |                                                                                                                                                                                                                                                                                                                   |
|-------------------|-------------------------------------------------------------------------------------------------------------------------------------------------------------------------------------------------------------------------------------------------------------------------------------------------------------------|
| <b>Conditions</b> | Requires a DPO4AUTOMAX application module.                                                                                                                                                                                                                                                                        |
| <b>Group</b>      | Trigger                                                                                                                                                                                                                                                                                                           |
| <b>Syntax</b>     | TRIGger:A:BUS:B<x>:FLEXray:HEADER:INDBits <QString><br>TRIGger:A:BUS:B<x>:FLEXray:HEADER:INDBits?                                                                                                                                                                                                                 |
| <b>Arguments</b>  | <QString> is a quoted string that is the indicator bits portion of the binary header string.                                                                                                                                                                                                                      |
| <b>Examples</b>   | TRIGGER:A:BUS:B1:FLEXRAY:HEADER:INDBITS "11001" sets the indicator bits portion of the header string to 11001.<br><br>TRIGGER:A:BUS:B1:FLEXRAY:HEADER:INDBITS? might return<br>TRIGGER:A:BUS:B1:FLEXRAY:HEADER:INDBITS "XXXXX" indicating that the indicator bits portion of the header string are “don't cares”. |

## TRIGger:A:BUS:B<x>:FLEXray:HEADER:PAYLength

This command specifies the payload length portion of the binary header string when triggering on the FlexRay bus header. The trigger condition needs to be set to HEADer (using [TRIGger:A:BUS:B<x>:FLEXray:CONDition](#)). B<x> is the bus number 1-4.

|                   |                                            |
|-------------------|--------------------------------------------|
| <b>Conditions</b> | Requires a DPO4AUTOMAX application module. |
| <b>Group</b>      | Trigger                                    |

**Syntax** TRIGger:A:BUS:B<x>:FLEXray:HEADER:PAYLength <QString>  
TRIGger:A:BUS:B<x>:FLEXray:HEADER:PAYLength?

**Arguments** <QString> is the length of the payload portion of the Binary header string.

**Examples** TRIGGER:A:BUS:B1:FLEXRAY:HEADER:PAYLENGTH "1100101" sets the FlexRay header paylength to 1100101.  
TRIGGER:A:BUS:B1:FLEXRAY:HEADER:PAYLENGTH? might return TRIGGER:A:BUS:B1:FLEXRAY:HEADER:PAYLENGTH "XXXXXXX" indicating the FlexRay header paylength is don't care.

## TRIGger:A:BUS:B<x>:I2C:ADDRes:MODE

This command specifies the I<sup>2</sup>C address mode to 7 or 10-bit. B<x> is the bus number 1-4.

**Conditions** This command requires a DPO4EMBD application module.

**Group** Trigger

**Syntax** TRIGger:A:BUS:B<x>:I2C:ADDRes:MODE {ADDR7|ADDR10}  
TRIGger:A:BUS:B<x>:I2C:ADDRes:MODE?

**Arguments** ADDR7 specifies the 7-bit I<sup>2</sup>C address mode.  
ADDR10 specifies the 10-bit I<sup>2</sup>C address mode.

**Examples** TRIGGER:A:BUS:B1:I2C:ADDRESS:MODE ADDR10 sets the I<sup>2</sup>C address mode to 10-bit.

## TRIGger:A:BUS:B<x>:I2C:ADDRes:TYPE

This command specifies the I<sup>2</sup>C address type. The only supported address type is USER. Applies to bus <x>, where x is the bus number 1-4.

**Conditions** This command requires a DPO4EMBD application module.

**Group** Trigger

**Syntax** TRIGger:A:BUS:B<x>:I2C:ADDRESS:TYPE  
 {Generalcall|STARTbyte|HSmode|EEPROM|USER}  
 TRIGger:A:BUS:B<x>:I2C:ADDRESS:TYPE?

**Arguments** Generalcall specifies a general call address.  
 STARTbyte specifies a start byte address.  
 HSmode specifies a high-speed mode address.  
 EEPROM specifies an EEPROM address.  
 USER specifies a user address.

## TRIGger:A:BUS:B<x>:I2C:ADDRESS:VALUE

This command specifies the binary address string used for the I<sup>2</sup>C trigger if the trigger condition is ADDRESS or ADDRANDDATA. B<x> is the bus number 1-4.

**Conditions** This command requires a DPO4EMBD application module.

**Group** Trigger

**Syntax** TRIGger:A:BUS:B<x>:I2C:ADDRESS:VALUE <QString>  
 TRIGger:A:BUS:B<x>:I2C:ADDRESS:VALUE?

**Arguments** <QString> is up to 7 or 10-bits depending on the address mode that specifies the address. The only allowed characters in the QString are 0, 1, and X.

**Examples** TRIGGER:A:BUS:B1:I2C:ADDRESS:VALUE 1011 sets the I<sup>2</sup>C address value to XXX1011.

## TRIGger:A:BUS:B<x>:I2C:CONDition

This command specifies the trigger condition for an I<sup>2</sup>C trigger. B<x> is the bus number 1-4.

**Conditions** This command requires a DPO4EMBD application module.

**Group** Trigger

**Syntax** TRIGger:A:BUS:B<x>:I2C:CONDition  
 {START|STOP|REPEATstart|ACKMISS|ADDRESS|DATA|ADDRANDDATA}  
 TRIGger:A:BUS:B<x>:I2C:CONDition?

**Arguments** START specifies a search based on start condition.  
 STOP specifies a search based on stop condition.  
 REPEATstart specifies a search based on repeat of start condition.  
 ACKMISS specifies a search based on missing acknowledgement condition.  
 ADDRESS specifies a search based on address.  
 DATA specifies a search based on data.  
 ADDRANDDATA specifies a search based on address and data.

**Examples** TRIGGER:A:BUS:B1:I2C:CONDITION START specifies start as the I<sup>2</sup>C trigger condition.

## TRIGger:A:BUS:B<x>:I2C:DATA:DIRection

This command specifies the I<sup>2</sup>C trigger type to be valid on a Read, Write, or Either condition. Read or write is indicated by the R/W bit in the I<sup>2</sup>C protocol. B<x> is the bus number 1-4.

**Conditions** This command requires a DPO4EMBD application module.

**Group** Trigger

**Syntax** TRIGger:A:BUS:B<x>:I2C:DATA:DIRection {READ|WRITE|NOCARE}  
 TRIGger:A:BUS:B<x>:I2C:DATA:DIRection?

**Arguments** READ specifies read as the data direction.  
 WRITE specifies write as the data direction.  
 NOCARE specifies either as the data direction.

**Examples** TRIGGER:A:BUS:B1:I2C:DATA:DIRECTION WRITE specifies write as the I<sup>2</sup>C data direction.

## TRIGger:A:BUS:B<x>:I2C:DATA:SIZE

This command specifies the length of the data string in bytes to be used for an I2C trigger if the trigger condition is DATA or ADDRANDDATA. Applies to bus <x>, where x is the bus number 1-4.

**Conditions** This command requires a DPO4EMBD application module.

**Group** Trigger

**Syntax** TRIGger:A:BUS:B<x>:I2C:DATA:SIZE <NR1>  
TRIGger:A:BUS:B<x>:I2C:DATA:SIZE?

**Arguments** <NR1> is the length of the data string in bytes.

## TRIGger:A:BUS:B<x>:I2C:DATA:VALue

This command specifies the binary data string used for I2C triggering if the trigger condition is DATA or ADDRANDDATA. B<x> is the bus number 1-4.

**Conditions** This command requires a DPO4EMBD application module.

**Group** Trigger

**Syntax** TRIGger:A:BUS:B<x>:I2C:DATA:VALue <QString>  
TRIGger:A:BUS:B<x>:I2C:DATA:VALue?

**Arguments** <QString> is the binary data string, where the number of bits is 8 times the number of bytes specified. The only allowed characters in the string are 0, 1, and X.

## TRIGger:A:BUS:B<x>:LIN:CONDition

This command specifies the trigger condition for LIN. B<x> is the bus number 1-4.

**Group** Trigger

**Syntax** TRIGger:A:BUS:B<x>:LIN:CONDition  
 {SYNCFieLd|IDentifier|DATA|IDANDDATA|WAKEup|SLEEP|ERROR}  
 TRIGger:A:BUS:B<x>:LIN:CONDition?

**Arguments** SYNCFieLd sets the LIN trigger condition to sync field.  
 IDentifier sets the LIN trigger condition to identifier.  
 DATA sets the LIN trigger condition to data.  
 IDANDDATA sets the LIN trigger condition to id and data.  
 WAKEup sets the LIN trigger condition to wake up.  
 SLEEP sets the LIN trigger condition to sleep.  
 ERROR sets the LIN trigger condition to error.

**Examples** TRIGGER:A:BUS:B1:LIN:CONDITION ERROR sets the LIN trigger condition to error.  
 TRIGGER:A:BUS:B1:LIN:CONDITION? might return  
 TRIGGER:A:BUS:B1:LIN:CONDITION SYNCFIELD indicating the LIN trigger condition is sync field.

## TRIGger:A:BUS:B<x>:LIN:DATA:HIVALue

This command specifies the binary data string to be used for LIN trigger if trigger condition is ID or IDANDDATA. B<x> is the bus number 1-4.

**Group** Trigger

**Syntax** TRIGger:A:BUS:B<x>:LIN:DATA:HIVALue <QString>  
 TRIGger:A:BUS:B<x>:LIN:DATA:HIVALue?

**Arguments** <QString> is a quoted string that is the binary data string used for LIN trigger if the trigger condition is ID or IDANDDATA.

**Examples** TRIGGER:A:BUS:B1:LIN:DATA:HIVALUE "11001010" sets the high value to 11001010.  
 TRIGGER:A:BUS:B1:LIN:DATA:HIVALUE? might return  
 TRIGGER:A:BUS:B1:LIN:DATA:HIVALUE "XXXXXXXX" indicating the high value is don't care.

## TRIGger:A:BUS:B<x>:LIN:DATA:QUALifier

This command specifies the LIN data qualifier. This only applies if the trigger condition is IDANDDATA or DATA. B<x> is the bus number 1-4.

|                  |                                                                                                                                                                                                                                                                                                                                                                                                                                                                                                    |
|------------------|----------------------------------------------------------------------------------------------------------------------------------------------------------------------------------------------------------------------------------------------------------------------------------------------------------------------------------------------------------------------------------------------------------------------------------------------------------------------------------------------------|
| <b>Group</b>     | Trigger                                                                                                                                                                                                                                                                                                                                                                                                                                                                                            |
| <b>Syntax</b>    | <pre>TRIGger:A:BUS:B&lt;x&gt;:LIN:DATA:QUALifier {LESSthan MOREthan EQUAL UNEQUAL LESSEQUAL MOREEQUAL  INrange OUTrange}  TRIGger:A:BUS:B&lt;x&gt;:LIN:DATA:QUALifier?</pre>                                                                                                                                                                                                                                                                                                                       |
| <b>Arguments</b> | <p>LESSthan sets the LIN data qualifier to less than.</p> <p>MOREthan sets the LIN data qualifier to greater than.</p> <p>EQUAL sets the LIN data qualifier to equal.</p> <p>UNEQUAL sets the LIN data qualifier to not equal.</p> <p>LESSEQUAL sets the LIN data qualifier to less than or equal.</p> <p>MOREEQUAL sets the LIN data qualifier to greater than or equal.</p> <p>INrange sets the LIN data qualifier to in range.</p> <p>OUTrange sets the LIN data qualifier to out of range.</p> |
| <b>Examples</b>  | <pre>TRIGGER:A:BUS:B1:LIN:DATA:QUALIFIER OUTRANGE sets the data qualifier to out of range.  TRIGGER:A:BUS:B1:LIN:DATA:QUALIFIER? might return TRIGGER:A:BUS:B1:LIN:DATA:QUALIFIER EQUAL indicating the data qualifier is set to equal.</pre>                                                                                                                                                                                                                                                       |

## TRIGger:A:BUS:B<x>:LIN:DATA:SIZE

This command specifies the length of the data string in bytes to be used for LIN trigger. B<x> is the bus number 1-4.

|               |                                                                                                       |
|---------------|-------------------------------------------------------------------------------------------------------|
| <b>Group</b>  | Trigger                                                                                               |
| <b>Syntax</b> | <pre>TRIGger:A:BUS:B&lt;x&gt;:LIN:DATA:SIZE &lt;NR1&gt; TRIGger:A:BUS:B&lt;x&gt;:LIN:DATA:SIZE?</pre> |

**Arguments** <NR1> is the size of the data string in bytes.

**Examples** TRIGGER:A:BUS:B1:LIN:DATA:SIZE 8 sets the data size to 8 bytes.  
 TRIGGER:A:BUS:B1:LIN:DATA:SIZE? might return  
 TRIGGER:A:BUS:B1:LIN:DATA:SIZE 1 indicating the data size is 1 byte.

## TRIGger:A:BUS:B<x>:LIN:DATA:VALue

This command specifies the binary data string to be used for LIN trigger condition if trigger condition is ID or IDANDDATA.

**Group** Trigger

**Syntax** TRIGger:A:BUS:B<x>:LIN:DATA:VALue <QString>  
 TRIGger:A:BUS:B<x>:LIN:DATA:VALue?

**Arguments** <QString> is a quoted string that is the LIN trigger data value.

**Examples** TRIGGER:A:BUS:B1:LIN:DATA:VALUE "11001101" sets the data value to 11001101.  
 TRIGGER:A:BUS:B1:LIN:DATA:VALUE? might return  
 TRIGGER:A:BUS:B1:LIN:DATA:VALUE "XXXXXXXX" indicating the data value is don't care.

## TRIGger:A:BUS:B<x>:LIN:ERRTYPE

This command specifies the error type be used for LIN trigger. B<x> is the bus number 1-4.

**Group** Trigger

**Syntax** TRIGger:A:BUS:B<x>:LIN:ERRTYPE  
 {SYNC|PARity|Checksum|HEADertime|RESptime|FRAMetime}  
 TRIGger:A:BUS:B<x>:LIN:ERRTYPE?

**Arguments** SYNC sets the LIN error type to SYNC.  
 PARity sets the LIN error type to parity.



CHECKSUM sets the LIN error type to checksum.

HEADertime sets the LIN error type to header time.

RESPtime sets the LIN error type to response time.

FRAMetime sets the LIN error type to frame time.

**Examples** TRIGGER:A:BUS:B1:LIN:ERRTYPE CHECKSUM sets the LIN error type to checksum.  
 TRIGGER:A:BUS:B1:LIN:ERRTYPE? might return  
 TRIGGER:A:BUS:B1:LIN:ERRTYPE SYNC indicating the LIN error type is SYNC.

## TRIGger:A:BUS:B<x>:LIN:IDentifier:VALue

This command specifies the binary address string used for LIN trigger if the trigger condition is ID or IDANDDATA. B<x> is the bus number 1-4.

**Group** Trigger

**Syntax** TRIGger:A:BUS:B<x>:LIN:IDentifier:VALue <QString>  
 TRIGger:A:BUS:B<x>:LIN:IDentifier:VALue?

**Arguments** <QString> is the binary address string used for LIN trigger if the trigger condition is ID or IDANDDATA.

**Examples** TRIGGER:A:BUS:B1:LIN:IDENTIFIER:VALUE "110010" sets the identifier value to 110010.  
 TRIGGER:A:BUS:B1:LIN:IDENTIFIER:VALUE? might return  
 TRIGGER:A:BUS:B1:LIN:IDENTIFIER:VALUE "XXXXXX" indicating the identifier value is XXXXXX.

## TRIGger:A:BUS:B<x>:MIL1553B:COMMAND:ADDRess:HIVALue

When the MIL-STD-1553 bus trigger condition is set to COMMAND, and the qualifier is set to INrange or OUTrange, this command specifies the upper limit of the range for the remote terminal address field. (Use the command [TRIGger:A:BUS:B<x>:MIL1553B:COMMAND:ADDRess:VALue](#) to specify the lower limit of the range.) The default is all X's (don't care). B<x> is the bus number 1-4.

|                         |                                                                                                                                                                                                                                                                                             |
|-------------------------|---------------------------------------------------------------------------------------------------------------------------------------------------------------------------------------------------------------------------------------------------------------------------------------------|
| <b>Conditions</b>       | This command requires a DPO4AERO application module.                                                                                                                                                                                                                                        |
| <b>Group</b>            | Trigger                                                                                                                                                                                                                                                                                     |
| <b>Syntax</b>           | TRIGger:A:BUS:B<x>:MIL1553B:COMMAND:ADDRESS:HIVALue<br><QString><br>TRIGger:A:BUS:B<x>:MIL1553B:COMMAND:ADDRESS:HIVALue?                                                                                                                                                                    |
| <b>Related Commands</b> | TRIGger:A:BUS:B<x>:MIL1553B:CONDition<br>TRIGger:A:BUS:B<x>:MIL1553B:COMMAND:ADDRESS:QUALifier<br>TRIGger:A:BUS:B<x>:MIL1553B:COMMAND:ADDRESS:VALue                                                                                                                                         |
| <b>Arguments</b>        | QString is a quoted string of up to 5 characters where the allowable characters are 0, 1, and X. The bits specified in the quoted string replace the least significant bits, leaving any unspecified upper bits unchanged.                                                                  |
| <b>Examples</b>         | TRIGger:A:BUS:B1:MIL1553B:HIVALue "01000" sets the upper limit of the remote terminal address range to 01000 (when the trigger condition has been set to MIL1553B, and the qualifier has been set to INrange or OUTrange) .<br><br>TRIGger:A:BUS:B1:MIL1553B:HIVALue? might return "XXXXX". |

## TRIGger:A:BUS:B<x>:MIL1553B:COMMAND:ADDRESS:QUALifier

When the MIL-STD-1553 bus trigger condition is set to COMMAND, this command specifies the qualifier to be used with the remote terminal address field. B<x> is the bus number 1-4.

|                         |                                                                                                                                                                                                   |
|-------------------------|---------------------------------------------------------------------------------------------------------------------------------------------------------------------------------------------------|
| <b>Conditions</b>       | This command requires a DPO4AERO application module.                                                                                                                                              |
| <b>Group</b>            | Trigger                                                                                                                                                                                           |
| <b>Syntax</b>           | TRIGger:A:BUS:B<x>:MIL1553B:COMMAND:ADDRESS:QUALifier<br>{LESSthan MOREthan EQua1 UNEQua1 LESSEQua1 MOREEQua1 <br>INrange OUTrange}<br><br>TRIGger:A:BUS:B<x>:MIL1553B:COMMAND:ADDRESS:QUALifier? |
| <b>Related Commands</b> | TRIGger:A:BUS:B<x>:MIL1553B:COMMAND:ADDRESS:VALue                                                                                                                                                 |

[TRIGger:A:BUS:B<x>:MIL1553B:COMMAND:ADDRess:HIVALue](#)

**Arguments**    **LESSthan** sets the Command Address qualifier to less than.  
**MOREthan** sets the Command Address qualifier to greater than.  
**EQua1** sets the Command Address qualifier to equal.  
**UNEQua1** sets the Command Address qualifier to not equal.  
**LESSEQua1** sets the Command Address qualifier to less than or equal.  
**MOREEQua1** sets the Command Address qualifier to greater than or equal.  
**INrange** sets the Command Address qualifier to in range.  
**OUTrange** sets the Command Address qualifier to out of range.

**Examples**    **TRIGger:A:BUS:B1:MIL1553B:COMMAND:ADDRess:QUALifier Equal** sets the qualifier to be used with the remote terminal address to equal.  
**TRIGger:A:BUS:B1:MIL1553B:COMMAND:ADDRess:QUALifier?** might return INRANGE.

## **TRIGger:A:BUS:B<x>:MIL1553B:COMMAND:ADDRess:VALue**

When the MIL-STD-1553 bus trigger condition is set to **COMMAND**, and the qualifier is set to **LESSthan**, **MOREthan**, **EQua1**, **UNEQua1**, **LESSEQua1** or **MOREEQua1**, this command specifies the value of the 5-bit remote terminal address to be used in the trigger. When the MIL-STD-1553 bus trigger condition is set to **COMMAND**, and the qualifier is set to **INrange** or **OUTrange**, this command specifies the lower limit of the remote terminal address range. The default is all X's (don't care). **B<x>** is the bus number 1-4.

**Conditions**    This command requires a DPO4AERO application module.

**Group**    Trigger

**Syntax**    **TRIGger:A:BUS:B<x>:MIL1553B:COMMAND:ADDRess:VALue <QString>**  
**TRIGger:A:BUS:B<x>:MIL1553B:COMMAND:ADDRess:VALue?**

**Related Commands**    [TRIGger:A:BUS:B<x>:MIL1553B:CONDition](#)  
[TRIGger:A:BUS:B<x>:MIL1553B:COMMAND:ADDRess:HIVALue](#)  
[TRIGger:A:BUS:B<x>:MIL1553B:COMMAND:ADDRess:QUALifier](#)

**Arguments** QString is a quoted string of up to 5 characters, where the allowable characters are 0, 1, and X. The bits specified in the quoted string replace the least significant bits, leaving any unspecified upper bits unchanged.

**Examples** TRIGger:A:BUS:B1:MIL1553B:COMMAND:ADDRESS:VALUE "01000" sets the remote terminal address to be used in the trigger to 01000.

TRIGger:A:BUS:B1:MIL1553B:COMMAND:ADDRESS:VALUE? might return 01000.

## TRIGger:A:BUS:B<x>:MIL1553B:COMMAND:COUNT

When the MIL-STD-1553 bus trigger condition is set to COMMAND, this command specifies the bit pattern for the 5-bit Word Count/Mode Code sub-address field that is to be used in the trigger. (Use the command [TRIGger:A:BUS:B<x>:MIL1553B:COMMAND:SUBADDRESS](#) to specify Word Count or Mode Code.) In Word Count mode, this field defines the number of data words that is to be transmitted, or received, depending on the T/R bit setting. (Use the command [TRIGger:A:BUS:B<x>:MIL1553B:COMMAND:TRBit](#) to set the T/R bit.) A word count value of 0 actually indicates a transfer of 32 data words. B<x> is the bus number 1-4.

**Conditions** This command requires a DPO4AERO application module.

**Group** Trigger

**Syntax** TRIGger:A:BUS:B<x>:MIL1553B:COMMAND:COUNT <QString>  
TRIGger:A:BUS:B<x>:MIL1553B:COMMAND:COUNT?

**Related Commands** [TRIGger:A:BUS:B<x>:MIL1553B:CONDition](#)  
[TRIGger:A:BUS:B<x>:MIL1553B:COMMAND:SUBADDRESS](#)  
[TRIGger:A:BUS:B<x>:MIL1553B:COMMAND:TRBit](#)

**Arguments** QString is a quoted string of up to 5 characters, where the allowable characters are 0, 1 and X. The bits specified in the quoted string replace the least significant bits, leaving any unspecified upper bits unchanged.

**Examples** TRIGger:A:BUS:B1:MIL1553B:COMMAND:COUNT "01000" sets the bit pattern for the Word Count/Mode Code field to 01000.

TRIGger:A:BUS:B1:MIL1553B:COMMAND:COUNT? might return "XXXXX".

## TRIGger:A:BUS:B<x>:MIL1553B:COMMAND:PARity

When the MIL-STD-1553 bus trigger condition is set to **COMMAND**, this command specifies the Command word parity that is to be used in the trigger. **B<x>** is the bus number 1-4.

**Conditions** This command requires a DPO4AERO application module.

**Group** Trigger

**Syntax** TRIGger:A:BUS:B<x>:MIL1553B:COMMAND:PARity  
{0|1|X|ZERO|ONE|NOCARE|OFF|ON}  
  
TRIGger:A:BUS:B<x>:MIL1553B:COMMAND:PARity?

**Related Commands** [TRIGger:A:BUS:B<x>:MIL1553B:CONDition](#)

**Arguments** 0  
1  
X sets the value to X (“don’t care”) which is the default.  
ZERO sets the value to 0.  
ONE sets the value to 1.  
NOCARE sets the value to X (“don’t care”) which is the default.  
OFF sets the value to 0.  
ON sets the value to 1.

**Examples** TRIGger:A:BUS:B1:MIL1553B:COMMAND:PARity ZERO sets the Command word parity bit to 0.  
  
TRIGger:A:BUS:B1:MIL1553B:COMMAND:PARity? might return 0, 1 or X.

## TRIGger:A:BUS:B<x>:MIL1553B:COMMAND:SUBADdress

When the MIL-STD-1553 bus trigger condition is set to **COMMAND**, this command specifies the 5 bit sub-address that is to be used in the trigger. When the sub-address value is set to 00000 or 11111 binary, it specifies that the command is a “Mode Code” command. Any other value specifies that it is a “Word Count” command. The default is all X’s (don’t care). **B<x>** is the bus number 1-4.

---

**NOTE.** *The sub-address field is used to direct data to different functions within the subsystem for values 1 — 30.*

---

|                         |                                                                                                                                                                                                                             |
|-------------------------|-----------------------------------------------------------------------------------------------------------------------------------------------------------------------------------------------------------------------------|
| <b>Conditions</b>       | This command requires a DPO4AERO application module.                                                                                                                                                                        |
| <b>Group</b>            | Trigger                                                                                                                                                                                                                     |
| <b>Syntax</b>           | TRIGger:A:BUS:B<x>:MIL1553B:COMMAND:SUBAddress <QString><br>TRIGger:A:BUS:B<x>:MIL1553B:COMMAND:SUBAddress?                                                                                                                 |
| <b>Related Commands</b> | <a href="#">TRIGger:A:BUS:B&lt;x&gt;:MIL1553B:CONDition</a><br><a href="#">TRIGger:A:BUS:B&lt;x&gt;:MIL1553B:COMMAND:COUNt</a>                                                                                              |
| <b>Arguments</b>        | QString is a quoted string of up to 5 characters, where the allowable characters are 0, 1, and X. The bits specified in the quoted string replace the least significant bits, leaving any unspecified upper bits unchanged. |
| <b>Examples</b>         | TRIGger:A:BUS:B1:MIL1553B:COMMAND:SUBAddress "01000" sets the sub-address to be used in the trigger to 01000.                                                                                                               |

## TRIGger:A:BUS:B<x>:MIL1553B:COMMAND:TRBit

When the MIL-STD-1553 bus trigger condition is set to COMMAND, this command specifies that the transmit/receive bit (bit 9) is to be used in the trigger. The transmit/receive bit defines the direction of information flow, and is always from the point of view of the remote terminal. B<x> is the bus number 1-4.

|                         |                                                                                                                                |
|-------------------------|--------------------------------------------------------------------------------------------------------------------------------|
| <b>Conditions</b>       | This command requires a DPO4AERO application module.                                                                           |
| <b>Group</b>            | Trigger                                                                                                                        |
| <b>Syntax</b>           | TRIGger:A:BUS:B<x>:MIL1553B:COMMAND:TRBit {RX TX X}<br>TRIGger:A:BUS:B<x>:MIL1553B:COMMAND:TRBit?                              |
| <b>Related Commands</b> | <a href="#">TRIGger:A:BUS:B&lt;x&gt;:MIL1553B:CONDition</a><br><a href="#">TRIGger:A:BUS:B&lt;x&gt;:MIL1553B:COMMAND:COUNt</a> |

|                  |                                                                                                                                                                                                                                           |
|------------------|-------------------------------------------------------------------------------------------------------------------------------------------------------------------------------------------------------------------------------------------|
| <b>Arguments</b> | <p>RX (logic 0) directs the instrument to trigger on a TX or "transmit" from a remote terminal .</p> <p>TX (logic 1) directs the instrument to trigger on an RX or "receive" from a remote terminal.</p> <p>X indicates "don't care".</p> |
| <b>Examples</b>  | <p>TRIGger:A:BUS:B1:MIL1553B:COMMAND:TRBit TX directs the instrument to trigger on a TX or "transmit" from a remote terminal.</p> <p>TRIGger:A:BUS:B1:MIL1553B:COMMAND:TRBit TX? might return TX.</p>                                     |

## TRIGger:A:BUS:B<x>:MIL1553B:CONDition

This command specifies a word type or condition within a MIL-STD-1553 bus word to trigger on. B<x> is the bus number 1-4.

---

**NOTE.** *There are three types of MIL-STD-1553 (Aircraft) bus words: Command, Status, and Data, all sharing a common structure twenty bits in length. The first three bits are used as a synchronization field. The last bit is the odd parity of the previous 16 bits.*

---

|                         |                                                                                                                                                                                                                                |
|-------------------------|--------------------------------------------------------------------------------------------------------------------------------------------------------------------------------------------------------------------------------|
| <b>Conditions</b>       | This command requires a DPO4AERO application module.                                                                                                                                                                           |
| <b>Group</b>            | Trigger                                                                                                                                                                                                                        |
| <b>Syntax</b>           | <p>TRIGger:A:BUS:B&lt;x&gt;:MIL1553B:CONDition<br/>{SYNC COMMAND STATUS DATA TIME ERROR}</p> <p>TRIGger:A:BUS:B&lt;x&gt;:MIL1553B:CONDition?</p>                                                                               |
| <b>Related Commands</b> | <p>Most of the other TRIGger:A:BUS:B&lt;x&gt;:MIL1553B commands are impacted by the setting of this command.</p> <p><a href="#">BUS:B&lt;x&gt;:MIL1553B:POLarity</a></p> <p><a href="#">BUS:B&lt;x&gt;:MIL1553B:SOURce</a></p> |
| <b>Arguments</b>        | <p>SYNC refers to the 3-bit sync pulse that precedes each word.</p> <p>COMMAND is one of 3 16-bit word types. It specifies the function that a remote terminal is to perform.</p>                                              |

STATUS is one of 3 16-bit word types. Remote terminals respond to valid message transmissions via status words.

DATA is one of 3 16-bit word types.

TIME specifies to trigger on either the RT (remote terminal response time), or the IMG (Inter-message Gap). Use the commands TRIGger:A:BUS:B<x>:MIL1553B:TIME:QUALifier, TRIGger:A:BUS:B<x>:MIL1553B:TIME:LESSLimit, and TRIGger:A:BUS:B<x>:MIL1553B:TIME:MORELimit to specify the time parameters.

ERROR specifies to trigger upon a signaling error. (You can specify which type of error — Parity, Sync, Manchester or Non-contiguous Data — by using the TRIGger:A:BUS:B<x>:MIL1553B:ERRTYPE command.)

---

**NOTE.**

Use the TRIGger:A:BUS:B<x>:MIL1553B:CONDition:STATUS:BIT commands to set the following bits:

9 — message error

TRIGger:A:BUS:B<x>:MIL1553B:STATUS:BIT:ME

10 — instrumentation

TRIGger:A:BUS:B<x>:MIL1553B:STATUS:BIT:INSTR

11 — SRQ (service request)

TRIGger:A:BUS:B<x>:MIL1553B:STATUS:BIT:SRQ

15 — BCR (broadcast command received)

TRIGger:A:BUS:B<x>:MIL1553B:STATUS:BIT:BCR

16 — busy

TRIGger:A:BUS:B<x>:MIL1553B:STATUS:BIT:BUSY

17 — subsystem flag

TRIGger:A:BUS:B<x>:MIL1553B:STATUS:BIT:SUBSF

18 — DBCA (dynamic bus control acceptance)

TRIGger:A:BUS:B<x>:MIL1553B:STATUS:BIT:DBCA

19 — terminal flag

TRIGger:A:BUS:B<x>:MIL1553B:STATUS:BIT:TF

---

**Examples** :TRIGger:A:BUS:B1:MIL1553B:CONDition STATUS sets the word type to trigger on to STATUS.

:TRIGger:A:BUS:B1:MIL1553B:CONDition? might return DATA.



## TRIGger:A:BUS:B<x>:MIL1553B:DATa:PARity

When the MIL-STD-1553 bus trigger condition is set to **DATA**, this command specifies the data parity bit to be used in the trigger. Returned values are 0, 1, or X (don't care). **B<x>** is the bus number 1-4.

**Conditions** This command requires a DPO4AERO application module.

**Group** Trigger

**Syntax** TRIGger:A:BUS:B<x>:MIL1553B:DATa:PARity  
{0|1|X|ZERO|ONE|NOCARE|OFF|ON}  
  
TRIGger:A:BUS:B<x>:MIL1553B:DATa:PARity?

**Related Commands** [TRIGger:A:BUS:B<x>:MIL1553B:CONDition](#)  
[TRIGger:A:BUS:B<x>:MIL1553B:DATa:VALue](#)

**Arguments** 0  
1  
X sets the value to X ("don't care") which is the default.  
ZERO sets the value to 0.  
ONE sets the value to 1.  
NOCARE sets the value to X ("don't care") which is the default.  
OFF sets the value to 0.  
ON sets the value to 1.

**Examples** TRIGger:A:BUS:B1:MIL1553B:DATa:PARity 1 sets the data parity bit to be used in a MIL-STD-1553 bus trigger to 1.  
  
TRIGger:A:BUS:B1:MIL1553B:DATa:PARity? might return 0, indicating that the data parity bit to be used in a MIL-STD-1553 bus trigger is set to 0.

## TRIGger:A:BUS:B<x>:MIL1553B:DATa:VALue

When the MIL-STD-1553 bus trigger condition is set to **DATA**, this command specifies the data binary pattern to be used in the trigger. This is a 16-bit field. The default is all X's (don't care). **B<x>** is the bus number 1-4.

|                         |                                                                                                                                                                                                                              |
|-------------------------|------------------------------------------------------------------------------------------------------------------------------------------------------------------------------------------------------------------------------|
| <b>Conditions</b>       | This command requires a DPO4AERO application module.                                                                                                                                                                         |
| <b>Group</b>            | Trigger                                                                                                                                                                                                                      |
| <b>Syntax</b>           | TRIGger:A:BUS:B<x>:MIL1553B:DATA:VALue <QString><br>TRIGger:A:BUS:B<x>:MIL1553B:DATA:VALue?                                                                                                                                  |
| <b>Related Commands</b> | <a href="#">TRIGger:A:BUS:B&lt;x&gt;:MIL1553B:CONDition</a><br><a href="#">TRIGger:A:BUS:B&lt;x&gt;:MIL1553B:DATA:PARity</a>                                                                                                 |
| <b>Arguments</b>        | QString is a quoted string of up to 16 characters, where the allowable characters are 0, 1, and X. The bits specified in the quoted string replace the least significant bits, leaving any unspecified upper bits unchanged. |
| <b>Examples</b>         | TRIGger:A:BUS:B1:MIL1553B:DATA:VALue "01000" sets the data binary pattern to be used in a MIL-STD-1553 bus trigger to 01000.<br><br>TRIGger:A:BUS:B1:MIL1553B:DATA:VALue? might return<br>XXXXXXXXXXXX01000.                 |

## TRIGger:A:BUS:B<x>:MIL1553B:ERRTYPE

When the MIL-STD-1553 bus trigger condition is set to **ERROR**, this command specifies the signaling error type to be used in the trigger: Parity, Sync, Manchester or Data. B<x> is the bus number 1-4.

|                         |                                                                                                                  |
|-------------------------|------------------------------------------------------------------------------------------------------------------|
| <b>Conditions</b>       | This command requires a DPO4AERO application module.                                                             |
| <b>Group</b>            | Trigger                                                                                                          |
| <b>Syntax</b>           | TRIGger:A:BUS:B<x>:MIL1553B:ERRTYPE<br>{PARity SYNC MANCHester DATA}<br><br>TRIGger:A:BUS:B<x>:MIL1553B:ERRTYPE? |
| <b>Related Commands</b> | <a href="#">TRIGger:A:BUS:B&lt;x&gt;:MIL1553B:CONDition</a>                                                      |

**Arguments**    PARity — an incorrect parity setting.

                  SYNc — the high to low, or low to high transition doesn't happen in the middle of the sync time as it should.

                  MANCHester — no transition in a bit time.

                  DATA — a non-contiguous data error.

**Examples**    TRIGger:A:BUS:B1:MIL1553B:ERRTYPE PARity sets the error type to be used in the trigger to PARITY.

                  TRIGger:A:BUS:B1:MIL1553B:ERRTYPE? might return SYNC.

## TRIGger:A:BUS:B<x>:MIL1553B:STATus:ADDRess:HIVALue

When the MIL-STD-1553 bus trigger condition is set to STATus, and the qualifier is set to INrange or OUTrange, this command specifies the upper limit for the 5 bit remote terminal address field of the Status word. (Use the command [TRIGger:A:BUS:B<x>:MIL1553B:STATus:ADDRess:VALue](#) to specify the lower limit.) The default is all X's (don't care). B<x> is the bus number 1-4.

**Conditions**    This command requires a DPO4AERO application module.

**Group**          Trigger

**Syntax**        TRIGger:A:BUS:B<x>:MIL1553B:STATus:ADDRess:HIVALue <QString>  
 TRIGger:A:BUS:B<x>:MIL1553B:STATus:ADDRess:HIVALue?

**Related Commands**    [TRIGger:A:BUS:B<x>:MIL1553B:CONDition](#)  
                               [TRIGger:A:BUS:B<x>:MIL1553B:STATus:ADDRess:VALue](#)  
                               [TRIGger:A:BUS:B<x>:MIL1553B:STATus:ADDRess:QUALifier](#)

**Arguments**    QString is a quoted string of up to 5 characters, where the allowable characters are 0, 1, and X. The bits specified in the quoted string replace the least significant bits, leaving any unspecified upper bits unchanged.

**Examples**    TRIGger:A:BUS:B1:MIL1553B:HIVAL "01000" sets the upper limit of the range of the terminal address to 01000 (when the trigger condition is set to MIL1553B, and the qualifier is set to INrange or OUTrange) .

                  TRIGger:A:BUS:B1:MIL1553B:HIVAL? might return "XXXXX".

## TRIGger:A:BUS:B<x>:MIL1553B:STATus:ADDRess:QUALifier

When the MIL-STD-1553 bus trigger condition is set to STATus, this command specifies the qualifier to be used with the address field. The default is EQUAL. B<x> is the bus number 1-4.

**Conditions** This command requires a DPO4AERO application module.

**Group** Trigger

**Syntax** TRIGger:A:BUS:B<x>:MIL1553B:STATus:ADDRess:QUALifier  
{LESSthan|MOREthan|EQua1|UNEQua1|LESSEQua1|MOREEQua1|INrange|OUTrange}

TRIGger:A:BUS:B<x>:MIL1553B:STATus:ADDRess:QUALifier?

**Related Commands** [TRIGger:A:BUS:B<x>:MIL1553B:CONDition](#)

[TRIGger:A:BUS:B<x>:MIL1553B:STATus:ADDRess:QUALifier](#)

[TRIGger:A:BUS:B<x>:MIL1553B:STATus:ADDRess:HIVALue](#)

[TRIGger:A:BUS:B<x>:MIL1553B:STATus:ADDRess:VALue](#)

**Arguments** LESSthan sets the Status Address qualifier to less than.

MOREthan sets the Status Address qualifier to greater than.

EQua1 sets the Status Address qualifier to equal.

UNEQua1 sets the Status Address qualifier to not equal.

LESSEQua1 sets the Status Address qualifier to less than or equal.

MOREEQua1 sets the Status Address qualifier to greater than or equal.

INrange sets the Status Address qualifier to in range.

OUTrange sets the Status Address qualifier to out of range.

**Examples** TRIGger:A:BUS:B1:MIL1553B:STATus:ADDRess:QUALifier MOREthan sets the qualifier to be used with the address field to greater than.

TRIGger:A:BUS:B1:MIL1553B:STATus:ADDRess:QUALifier? might return MORETHAN.

## TRIGger:A:BUS:B<x>:MIL1553B:STATus:ADDRes:VALue

When the MIL-STD-1553 bus trigger condition is set to `STATUS`, and the qualifier is set to `LESSthan`, `MOREthan`, `EQua1`, `UNEQua1`, `LESSEQua1` or `MOREEQua1`, this command specifies the value of the 5-bit remote terminal address to be used in the trigger. When the MIL-STD-1553 bus trigger condition is set to `STATUS`, and the qualifier is set to `INrange` or `OUTrange`, this command specifies the lower limit of the range. (Use the command [TRIGger:A:BUS:B<x>:MIL1553B:STATus:ADDRes:HIVALue](#) to specify the upper limit of the range.) The default is all X's (don't care). `B<x>` is the bus number 1-4.

**Conditions** This command requires a DPO4AERO application module.

**Group** Trigger

**Syntax** `TRIGger:A:BUS:B<x>:MIL1553B:STATus:ADDRes:VALue <QString>`  
`TRIGger:A:BUS:B<x>:MIL1553B:STATus:ADDRes:VALue?`

**Related Commands** [TRIGger:A:BUS:B<x>:MIL1553B:CONDition](#)  
[TRIGger:A:BUS:B<x>:MIL1553B:STATus:ADDRes:QUALifier](#)  
[TRIGger:A:BUS:B<x>:MIL1553B:STATus:ADDRes:HIVALue](#)

**Arguments** `QString` is a quoted string of up to 5 characters, where the allowable characters are 0, 1, and X. The bits specified in the quoted string replace the least significant bits, leaving any unspecified upper bits unchanged.

**Examples** `TRIGger:A:BUS:B1:MIL1553B:STATus:ADDRes:VALue "01000"` sets the value of the 5-bit remote terminal address to be used in the trigger, when the qualifier has been set to `LESSthan`, `MOREthan`, `EQua1`, `UNEQua1`, `LESSEQua1` or `MOREEQua1`.

`TRIGger:A:BUS:B1:MIL1553B:STATus:ADDRes:VALue "01000"` sets the lower limit of the range to 01000, if the qualifier has been set to `INrange` or `OUTrange`.

`TRIGger:A:BUS:B1:MIL1553B:STATus:ADDRes:VALue?` might return "01000".

## TRIGger:A:BUS:B<x>:MIL1553B:STATus:BIT:BCR

When the MIL-STD-1553 bus trigger condition is set to **STATus**, this command specifies the status word broadcast command received (BCR) bit value (bit 15) to be used in the trigger. Returned values are 0, 1, or X (don't care, which is the default). **B<x>** is the bus number 1-4.

**Conditions** This command requires a DPO4AERO application module.

**Group** Trigger

**Syntax** TRIGger:A:BUS:B<x>:MIL1553B:STATus:BIT:BCR  
{0|1|X|ZERO|ONE|NOCARE|OFF|ON}

TRIGger:A:BUS:B<x>:MIL1553B:STATus:BIT:BCR?

**Related Commands** [TRIGger:A:BUS:B<x>:MIL1553B:CONDition](#)

**Arguments** 0

1

X sets the value to X ("don't care") which is the default.

ZERO sets the value to 0.

ONE sets the value to 1.

NOCARE sets the value to X ("don't care") which is the default.

OFF sets the value to 0.

ON sets the value to 1.

**Examples** TRIGger:A:BUS:B1:MIL1553B:STATus:BIT:BCR NOCARE sets the BCR bit value to be used in the trigger to X.

TRIGger:A:BUS:B1:MIL1553B:STATus:BIT:BCR? might return 1.

## TRIGger:A:BUS:B<x>:MIL1553B:STATus:BIT:BUSY

When the MIL-STD-1553 bus trigger condition is set to **STATus**, this command specifies the status word busy bit value (bit 16) to be used in the trigger. Returned values are 0, 1, or X (don't care, which is the default). **B<x>** is the bus number 1-4.

**Conditions** This command requires a DPO4AERO application module.

**Group** Trigger

**Syntax** TRIGger:A:BUS:B<x>:MIL1553B:STATus:BIT:BUSY  
 {0|1|X|ZERO|ONE|NOCARE|OFF|ON}  
 TRIGger:A:BUS:B<x>:MIL1553B:STATus:BIT:BUSY?

**Related Commands** [TRIGger:A:BUS:B<x>:MIL1553B:CONDition](#)

**Arguments** 0  
 1  
 X sets the value to X (“don’t care”) which is the default.  
 ZERO sets the value to 0.  
 ONE sets the value to 1.  
 NOCARE sets the value to X (“don’t care”) which is the default.  
 OFF sets the value to 0.  
 ON sets the value to 1.

**Examples** TRIGger:A:BUS:B1:MIL1553B:STAT:BIT:BUSY NOCARE sets the status word busy bit value to be used in the trigger to X.  
 TRIGger:A:BUS:B1:MIL1553B:STAT:BIT:BUSY? might return 1.

## TRIGger:A:BUS:B<x>:MIL1553B:STATus:BIT:DBCA

When the MIL-STD-1553 bus trigger condition is set to **STATus**, this command specifies the status word dynamic bus control acceptance (DBCA) bit value (bit 18) to be used in the trigger. Returned values are 0, 1, or X (don’t care, which is the default). **B<x>** is the bus number 1-4.

**Conditions** This command requires a DPO4AERO application module.

**Group** Trigger

**Syntax** TRIGger:A:BUS:B<x>:MIL1553B:STATus:BIT:DBCA  
 {0|1|X|ZERO|ONE|NOCARE|OFF|ON}  
 TRIGger:A:BUS:B<x>:MIL1553B:STATus:BIT:DBCA?

**Related Commands** [TRIGger:A:BUS:B<x>:MIL1553B:CONDition](#)

**Arguments** 0  
 1  
 X sets the value to X (“don’t care”) which is the default.  
 ZERO sets the value to 0.  
 ONE sets the value to 1.  
 NOCARE sets the value to X (“don’t care”) which is the default.  
 OFF sets the value to 0.  
 ON sets the value to 1.

**Examples** TRIGger:A:BUS:B1:MIL1553B:STATus:BIT:DBCA NOCARE sets the status word dynamic bus control acceptance (DBCA) bit value to be used in the trigger to X.  
 TRIGger:A:BUS:B1:MIL1553B:STATus:BIT:DBCA? might return 1.

## TRIGger:A:BUS:B<x>:MIL1553B:STATus:BIT:INSTR

When the MIL-STD-1553 bus trigger condition is set to STATus, this command specifies the status word instrumentation bit value (bit 10) to be used in the trigger. Returned values are 0, 1, or X (don’t care, which is the default). B<x> is the bus number 1-4.

**Conditions** This command requires a DPO4AERO application module.

**Group** Trigger

**Syntax** TRIGger:A:BUS:B<x>:MIL1553B:STATus:BIT:INSTR  
 {0|1|X|ZERO|ONE|NOCARE|OFF|ON}  
 TRIGger:A:BUS:B<x>:MIL1553B:STATus:BIT:INSTR?



**Related Commands** [TRIGger:A:BUS:B<x>:MIL1553B:CONDition](#)

**Arguments** 0  
1  
X sets the value to X (“don’t care”) which is the default.  
ZERO sets the value to 0.  
ONE sets the value to 1.  
NOCARE sets the value to X (“don’t care”) which is the default.  
OFF sets the value to 0.  
ON sets the value to 1.

**Examples** TRIGger:A:BUS:B1:MIL1553B:STAT:BIT:INSTR ZERO sets the status word instrumentation bit value to be used in the trigger to 0.  
TRIGger:A:BUS:B1:MIL1553B:STAT:BIT:INSTR? might return 1.

## TRIGger:A:BUS:B<x>:MIL1553B:STATus:BIT:ME

When the MIL-STD-1553 bus trigger condition is set to STATus, this command specifies the status word message error bit value (bit 9) to be used in the trigger. Returned values are 0, 1, or X (don’t care, which is the default). B<x> is the bus number 1-4.

**Conditions** This command requires a DPO4AERO application module.

**Group** Trigger

**Syntax** TRIGger:A:BUS:B<x>:MIL1553B:STATus:BIT:ME  
{0|1|X|ZERO|ONE|NOCARE|OFF|ON}  
TRIGger:A:BUS:B<x>:MIL1553B:STATus:BIT:ME?

**Related Commands** [TRIGger:A:BUS:B<x>:MIL1553B:CONDition](#)

**Arguments** 0  
1  
X sets the value to X (“don’t care”) which is the default.

ZERO sets the value to 0.

ONE sets the value to 1.

NOCARE sets the value to X (“don’t care”) which is the default.

OFF sets the value to 0.

ON sets the value to 1.

**Examples** TRIGger:A:BUS:B1:MIL1553B:STATus:BIT:ME NOCARE sets the status word message error bit value to be used in the trigger to X.  
 TRIGger:A:BUS:B1:MIL1553B:STATus:BIT:ME? might return 1.

## TRIGger:A:BUS:B<x>:MIL1553B:STATus:BIT:SRQ

When the MIL-STD-1553 bus trigger condition is set to STATus, this command specifies the status word service request (SRQ) bit value (bit 11) to be used in the trigger. Returned values are 0, 1, or X (don’t care, which is the default). B<x> is the bus number 1-4.

**Conditions** This command requires a DPO4AERO application module.

**Group** Trigger

**Syntax** TRIGger:A:BUS:B<x>:MIL1553B:STATus:BIT:SRQ  
 {0|1|X|ZERO|ONE|NOCARE|OFF|ON}  
 TRIGger:A:BUS:B<x>:MIL1553B:STATus:BIT:SRQ?

**Related Commands** [TRIGger:A:BUS:B<x>:MIL1553B:CONDition](#)

**Arguments** 0  
 1  
 X sets the value to X (“don’t care”) which is the default.  
 ZERO sets the value to 0.  
 ONE sets the value to 1.  
 NOCARE sets the value to X (“don’t care”) which is the default.  
 OFF sets the value to 0.  
 ON sets the value to 1.

**Examples** TRIGger:A:BUS:B1:MIL1553B:STAT:BIT:SRQ NOCARE sets the status word SRQ bit value to be used in the trigger to X.  
 TRIGger:A:BUS:B1:MIL1553B:STATUS:BIT:SRQ? might return 1.

## TRIGger:A:BUS:B<x>:MIL1553B:STATus:BIT:SUBSF

When the MIL-STD-1553 bus trigger condition is set to STATus, this command specifies the status word subsystem flag bit value (bit 17) to be used in the trigger. Returned values are 0, 1, or X (don't care, which is the default). B<x> is the bus number 1-4.

**Conditions** This command requires a DPO4AERO application module.

**Group** Trigger

**Syntax** TRIGger:A:BUS:B<x>:MIL1553B:STATus:BIT:SUBSF  
 {0|1|X|ZERO|ONE|NOCARE|OFF|ON}  
 TRIGger:A:BUS:B<x>:MIL1553B:STATus:BIT:SUBSF?

**Related Commands** [TRIGger:A:BUS:B<x>:MIL1553B:CONDition](#)

**Arguments** 0  
 1  
 X sets the value to X ("don't care") which is the default.  
 ZERO sets the value to 0.  
 ONE sets the value to 1.  
 NOCARE sets the value to X ("don't care") which is the default.  
 OFF sets the value to 0.  
 ON sets the value to 1.

**Examples** TRIGger:A:BUS:B1:MIL1553B:STAT:BIT:SUBSF NOCARE sets the status word subsystem flag bit value to be used in the trigger to X.  
 TRIGger:A:BUS:B1:MIL1553B:STAT:BIT:SUBSF? might return 1.

## TRIGger:A:BUS:B<x>:MIL1553B:STATus:BIT:TF

When the MIL-STD-1553 bus trigger condition is set to **STATus**, this command specifies the status word terminal flag bit value (bit 19) to be used in the trigger. Returned values are 0, 1, or X (don't care, which is the default). **B<x>** is the bus number 1-4.

**Conditions** This command requires a DPO4AERO application module.

**Group** Trigger

**Syntax** TRIGger:A:BUS:B<x>:MIL1553B:STATus:BIT:TF  
 {0|1|X|ZERO|ONE|NOCARE|OFF|ON}  
 TRIGger:A:BUS:B<x>:MIL1553B:STATus:BIT:TF?

**Related Commands** [TRIGger:A:BUS:B<x>:MIL1553B:CONDition](#)

**Arguments** 0  
 1  
 X sets the value to X (“don’t care”) which is the default.  
 ZERO sets the value to 0.  
 ONE sets the value to 1.  
 NOCARE sets the value to X (“don’t care”) which is the default.  
 OFF sets the value to 0.  
 ON sets the value to 1.

**Examples** TRIGger:A:BUS:B1:MIL1553B:STAT:BIT:TF NOCARE sets the status word terminal flag bit value to be used in the trigger to X.  
 TRIG:A:BUS:B1:MIL1553B:STAT:BIT:TF? might return 1.

## TRIGger:A:BUS:B<x>:MIL1553B:STATus:PARity

When the MIL-STD-1553 bus trigger condition is set to **STATus**, this command specifies the status parity bit value to be used in the trigger. Returned values are 0, 1, or X (don't care, which is the default). **B<x>** is the bus number 1-4.

**Conditions** This command requires a DPO4AERO application module.

**Group** Trigger

**Syntax** TRIGger:A:BUS:B<x>:MIL1553B:STATus:PARity  
{0|1|X|ZERO|ONE|NOCARE|OFF|ON}  
  
TRIGger:A:BUS:B<x>:MIL1553B:STATus:PARity?

**Related Commands** [TRIGger:A:BUS:B<x>:MIL1553B:CONDition](#)

**Arguments** 0  
1  
X sets the value to X (“don’t care”) which is the default.  
ZERO sets the value to 0.  
ONE sets the value to 1.  
NOCARE sets the value to X (“don’t care”) which is the default.  
OFF sets the value to 0.  
ON sets the value to 1.

**Examples** TRIGger:A:BUS:B1:MIL1553B:STAT:PAR ONE sets the parity bit value to be used in the trigger to 1.  
  
TRIG:A:BUS:B1:MIL1553B:STATUS:PARity? might return X, indicating that the parity doesn’t matter.

## TRIGger:A:BUS:B<x>:MIL1553B:TIME:LESSLimit

When the MIL-STD-1553 bus trigger condition is set to TIME, this command specifies either the minimum remote terminal response time (RT) limit for the amount of time the terminal has to transmit, or it specifies the minimum inter-message gap (IMG). (You can specify RT or IMG using the [TRIGger:A:BUS:B<x>:MIL1553B:CONDition TIME](#) command.) B<x> is the bus number 1-4.

**Conditions** This command requires a DPO4AERO application module.

**Group** Trigger

**Syntax** TRIGger:A:BUS:B<x>:MIL1553B:TIME:LESSLimit <NR3>  
 TRIGger:A:BUS:B<x>:MIL1553B:TIME:LESSLimit?

**Related Commands** [TRIGger:A:BUS:B<x>:MIL1553B:CONDition](#)  
[TRIGger:A:BUS:B<x>:MIL1553B:TIME:MORELimit](#)

**Arguments** <NR3> is a floating point number that specifies either the minimum remote terminal response time (RT) or the inter-message gap (IMG) in seconds.

**Examples** TRIGger:A:BUS:B1:MIL1553B:TIME:LESSLimit 3.0000e-6 would set either the remote terminal response time (RT) or the inter-message gap (IMG) to 3.00  $\mu$ S.  
 TRIGger:A:BUS:B1:MIL1553B:TIME:LESSLimit? might return 2.0000e-6, indicating that the RT or IMG has been set to 2.00  $\mu$ S.

## TRIGger:A:BUS:B<x>:MIL1553B:TIME:MORELimit

When the MIL-STD-1553 bus trigger condition is set to TIME, this command specifies either the maximum remote terminal response time (RT) limit for the amount of time the terminal has to transmit, or it specifies the maximum inter-message gap (IMG). (You can specify the RT and IMG using the [TRIGger:A:BUS:B<x>:MIL1553B:CONDition TIME](#) command.)

**Conditions** This command requires a DPO4AERO application module.

**Group** Trigger

**Syntax** TRIGger:A:BUS:B<x>:MIL1553B:TIME:MORELimit <NR3>  
 TRIGger:A:BUS:B<x>:MIL1553B:TIME:MORELimit?

**Related Commands** [TRIGger:A:BUS:B<x>:MIL1553B:CONDition](#)  
[TRIGger:A:BUS:B<x>:MIL1553B:TIME:LESSLimit](#)

**Arguments** <NR3> is a floating point number that specifies either the maximum remote terminal response time (RT) or the inter-message gap (IMG) in seconds.

- Examples** TRIGger:A:BUS:B1:MIL1553B:TIME:MORELimit 80.0000e-6 would set either the remote terminal response time (RT) or the inter-message gap (IMG) to be used in the trigger to 80.0  $\mu$ S.
- TRIGger:A:BUS:B1:MIL1553B:TIME:MORELimit? might return 100.0000e-6, indicating that the RT or IMG has been set to 100.00  $\mu$ S.

## TRIGger:A:BUS:B<x>:MIL1553B:TIME:QUALifier

When the MIL-STD-1553 bus trigger condition is set to TIME, this command specifies the trigger data time qualifier. (This includes a smaller set of arguments than other qualifier commands.)B<x> is the bus number 1-4.

- Conditions** This command requires a DPO4AERO application module.

- Group** Trigger

- Syntax** TRIGger:A:BUS:B<x>:MIL1553B:TIME:QUALifier  
{LESSthan|MOREthan|INrange|OUTrange}
- TRIGger:A:BUS:B<x>:MIL1553B:TIME:QUALifier?

- Related Commands** [TRIGger:A:BUS:B<x>:MIL1553B:CONDition](#)  
[TRIGger:A:BUS:B<x>:MIL1553B:TIME:LESSLimit](#)  
[TRIGger:A:BUS:B<x>:MIL1553B:TIME:MORELimit](#)

- Arguments** LESSthan sets the Time qualifier to less than minimum.  
MOREthan sets the Time qualifier to greater than maximum  
INrange sets the Time qualifier to inside range.  
OUTrange sets the Time qualifier to out of range.

- Examples** TRIGger:A:BUS:B1:MIL1553B:TIME:QUALifier LESSthan sets the Time qualifier to less than minimum.
- TRIGger:A:BUS:B1:MIL1553B:TIME:QUALifier? might return OUTRANGE.

## TRIGger:A:BUS:B<x>:PARAllel:VALue

This command specifies the binary data string to be used for a Parallel trigger. Applies to bus <x>, where x is the bus number 1-4.

**Group** Trigger

**Syntax** TRIGger:A:BUS:B<x>:PARAllel:VALue <QString>  
TRIGger:A:BUS:B<x>:PARAllel:VALue?

**Arguments** <QString> is the binary data string.

## TRIGger:A:BUS:B<x>:RS232C:CONDition

This command specifies the condition for an RS-232C trigger, where x is the bus number 1-4. B<x> is the bus number 1-4.

**Conditions** This command requires a DPO4COMP application module.

**Group** Trigger

**Syntax** TRIGger:A:BUS:B<x>:RS232C:CONDition  
{RXSTArt|RXDATA|RXENDPacket|TXSTArt|TXDATA|TXENDPacket}  
TRIGger:A:BUS:B<x>:RS232C:CONDition?

**Arguments** RXSTArt specifies a search based on the RX Start Bit.  
RXDATA specifies a search based on RX Data.  
RXENDPacket specifies a search based on the RX End of Packet condition.  
TXSTArt specifies a search base on the TX Start Bit.  
TXDATA specifies a search based on TX Data.  
TXENDPacket specifies a search based on the TX End of Packet condition.

## TRIGger:A:BUS:B<x>:RS232C:RX:DATa:SIZE

This command specifies the length of the data string in Bytes for an RS-232 Trigger if the trigger condition is RXDATA. B<x> is the bus number 1-4.



|                   |                                                                                         |
|-------------------|-----------------------------------------------------------------------------------------|
| <b>Conditions</b> | This command requires a DPO4COMP application module.                                    |
| <b>Group</b>      | Trigger                                                                                 |
| <b>Syntax</b>     | TRIGger:A:BUS:B<x>:RS232C:RX:DATA:SIZE <NR1><br>TRIGger:A:BUS:B<x>:RS232C:RX:DATA:SIZE? |
| <b>Arguments</b>  | <NR1> is the length of the data string in bytes.                                        |

### TRIGger:A:BUS:B<x>:RS232C:RX:DATA:VALue

This command specifies the binary data string for an RS-232 trigger if the trigger condition involves RX. B<x> is the bus number 1-4.

|                   |                                                                                     |
|-------------------|-------------------------------------------------------------------------------------|
| <b>Conditions</b> | This command requires a DPO4COMP application module.                                |
| <b>Group</b>      | Trigger                                                                             |
| <b>Syntax</b>     | TRIGger:A:BUS:B<x>:RS232C:RX:DATA:VALue<br>TRIGger:A:BUS:B<x>:RS232C:RX:DATA:VALue? |
| <b>Arguments</b>  | <Qstring> is the binary data string to be used for the trigger.                     |

### TRIGger:A:BUS:B<x>:RS232C:TX:DATA:SIZE

This command specifies the length of the data string for an RS-232 trigger if the trigger condition is TXDATA. B<x> is the bus number 1-4.

|                   |                                                                                         |
|-------------------|-----------------------------------------------------------------------------------------|
| <b>Conditions</b> | This command requires a DPO4COMP application module.                                    |
| <b>Group</b>      | Trigger                                                                                 |
| <b>Syntax</b>     | TRIGger:A:BUS:B<x>:RS232C:TX:DATA:SIZE <NR1><br>TRIGger:A:BUS:B<x>:RS232C:TX:DATA:SIZE? |
| <b>Arguments</b>  | <NR1> is the length of the data string in Bytes.                                        |

## TRIGger:A:BUS:B<x>:RS232C:TX:DATA:VALue

This command specifies the binary data string for an RS-232 trigger if the condition involves TX. B<x> is the bus number 1-4.

|                   |                                                                                     |
|-------------------|-------------------------------------------------------------------------------------|
| <b>Conditions</b> | This command requires a DPO4COMP application module.                                |
| <b>Group</b>      | Trigger                                                                             |
| <b>Syntax</b>     | TRIGger:A:BUS:B<x>:RS232C:TX:DATA:VALue<br>TRIGger:A:BUS:B<x>:RS232C:TX:DATA:VALue? |
| <b>Arguments</b>  | <Qstring> is the binary data string to be used for the trigger.                     |

## TRIGger:A:BUS:B<x>:SPI:CONDition

This command specifies the trigger condition for a SPI trigger. B<x> is the bus number 1-4.

|                         |                                                                                                                                                                                                                                                                                                                                                                                              |
|-------------------------|----------------------------------------------------------------------------------------------------------------------------------------------------------------------------------------------------------------------------------------------------------------------------------------------------------------------------------------------------------------------------------------------|
| <b>Conditions</b>       | This command requires a DPO4EMBD application module.                                                                                                                                                                                                                                                                                                                                         |
| <b>Group</b>            | Trigger                                                                                                                                                                                                                                                                                                                                                                                      |
| <b>Syntax</b>           | TRIGger:A:BUS:B<x>:SPI:CONDition<br>{SS STARTofframe MISO MOSI MISOMOSI}<br><br>TRIGger:A:BUS:B<x>:SPI:CONDition?                                                                                                                                                                                                                                                                            |
| <b>Related Commands</b> | <a href="#">BUS:B&lt;x&gt;:SPI:IDLETime</a> ,<br><a href="#">BUS:B&lt;x&gt;:SPI:FRAMING</a>                                                                                                                                                                                                                                                                                                  |
| <b>Arguments</b>        | SS specifies the Slave Selection condition.<br><br>STARTofframe is applicable when BUS:B<x>:SPI:FRAMING is set to IDLEtime. When the trigger condition is set to STARTofframe, the instrument triggers on the first SPI clock after an idle time when there are no clocks.<br><br>MISO specifies the Master-In Slave-Out condition.<br><br>MOSI specifies the Master-Out Slave-In condition. |

MISOMOSI specifies the Master-In Slave-Out and Master-Out Slave-In conditions.

## TRIGger:A:BUS:B<x>:SPI:DATA{:IN|:MISO}:VALue

This command specifies the binary data string to be used for a SPI trigger if the trigger condition is MISO or MISOMOSI. B<x> is the bus number 1-4.

|                   |                                                                                                                                                                    |
|-------------------|--------------------------------------------------------------------------------------------------------------------------------------------------------------------|
| <b>Conditions</b> | This command requires a DPO4EMBD application module.                                                                                                               |
| <b>Group</b>      | Trigger                                                                                                                                                            |
| <b>Syntax</b>     | TRIGger:A:BUS:B<x>:SPI:DATA{:IN :MISO}:VALue <QString><br>TRIGger:A:BUS:B<x>:SPI:DATA{:IN :MISO}:VALue?                                                            |
| <b>Arguments</b>  | <QString> is the binary data string, where the number of bits is 8 times the number of bytes specified. The only allowed characters in the string are 0, 1, and X. |

## TRIGger:A:BUS:B<x>:SPI:DATA{:OUT|:MOSI}:VALue

This command specifies the binary data string to be used for a SPI trigger if the trigger condition is MOSI or MISOMOSI. B<x> is the bus number 1-4.

|                   |                                                                                                                                                                                                          |
|-------------------|----------------------------------------------------------------------------------------------------------------------------------------------------------------------------------------------------------|
| <b>Conditions</b> | This command requires a DPO4EMBD application module.                                                                                                                                                     |
| <b>Group</b>      | Trigger                                                                                                                                                                                                  |
| <b>Syntax</b>     | TRIGger:A:BUS:B<x>:SPI:DATA{:OUT :MOSI}:VALue <QString><br>TRIGger:A:BUS:B<x>:SPI:DATA{:OUT :MOSI}:VALue?                                                                                                |
| <b>Arguments</b>  | <QString> is the binary data string with the number of bits specified by the <a href="#">TRIGger:A:BUS:B&lt;x&gt;:SPI:DATA:SIZE</a> command. The only allowed characters in the QString are 0, 1, and X. |

## TRIGger:A:BUS:B<x>:SPI:DATA:SIZE

This command specifies the length of the data string to be used for a SPI trigger if the trigger condition is MISO, MOSI, or MISOMOSI. B<x> is the bus number 1-4.

|                   |                                                                             |
|-------------------|-----------------------------------------------------------------------------|
| <b>Conditions</b> | This command requires a DPO4EMBD application module.                        |
| <b>Group</b>      | Trigger                                                                     |
| <b>Syntax</b>     | TRIGger:A:BUS:B<x>:SPI:DATA:SIZE <NR1><br>TRIGger:A:BUS:B<x>:SPI:DATA:SIZE? |
| <b>Arguments</b>  | <NR1> is the length of the data string in bytes.                            |

## TRIGger:A:BUS:B<x>:USB:ADDRess:HIVALue

This command specifies the binary address string for the upper limit for inside-of-range and outside-of-range qualifiers for the USB trigger. Use the command [TRIGger:A:BUS:B<x>:USB:ADDRess:VALue](#) to set the lower limit. B<x> is the bus number 1-4.

|                         |                                                                                                                                                                                                                                                                      |
|-------------------------|----------------------------------------------------------------------------------------------------------------------------------------------------------------------------------------------------------------------------------------------------------------------|
| <b>Conditions</b>       | This command requires the DPO4USB application module.                                                                                                                                                                                                                |
| <b>Group</b>            | Trigger                                                                                                                                                                                                                                                              |
| <b>Syntax</b>           | TRIGger:A:BUS:B<x>:USB:ADDRess:HIVALue <QString><br>TRIGger:A:BUS:B<x>:USB:ADDRess:HIVALue?                                                                                                                                                                          |
| <b>Related Commands</b> | <a href="#">TRIGger:A:BUS:B&lt;x&gt;:USB:CONDition</a> ,<br><a href="#">TRIGger:A:BUS:B&lt;x&gt;:USB:ADDRess:VALue</a>                                                                                                                                               |
| <b>Arguments</b>        | <QString> within the range 0000000 to 1111111 (00 hex to 7F hex).                                                                                                                                                                                                    |
| <b>Examples</b>         | TRIGGER:A:BUS:B1:USB:ADDRESS:HIVALUE "0001000" sets the upper limit to binary 0001000 (08 hex).<br><br>TRIGGER:A:BUS:B1:USB:ADDRESS:HIVALUE? might return :TRIGGER:A:BUS:B1:USB:ADDRESS:HIVALUE "1111111", which indicates that the upper limit is 1111111 (7F hex). |

## TRIGger:A:BUS:B<x>:USB:ADDRess:VALue

This command specifies the binary address string to be used for USB trigger.

This command also specifies the binary address string for the lower limit for inside-of-range and outside-of-range qualifiers for the USB trigger. B<x> is the bus number 1-4.

**Conditions** This command requires the DPO4USB application module.

**Group** Trigger

**Syntax** TRIGger:A:BUS:B<x>:USB:ADDRESS:VALUE <Qstring>  
TRIGger:A:BUS:B<x>:USB:ADDRESS:VALUE?

**Related Commands** [TRIGger:A:BUS:B<x>:USB:CONDition](#)

**Arguments** <Qstring> within the range 0000000 to 1111111 (00 hex to 7F hex).

**Examples** TRIGGER:A:BUS:B1:USB:ADDRESS:VALUE "0001000" sets the binary address to 0001000 (08 hex).

TRIGGER:A:BUS:B1:USB:ADDRESS:VALUE? might return  
:TRIGGER:A:BUS:B1:USB:ADDRESS:VALUE "1000000", which indicates that the binary address is 100000 (40 hex).

## TRIGger:A:BUS:B<x>:USB:CONDition

This command specifies the trigger condition for the USB trigger. B<x> is the bus number 1-4.

**Conditions** This command requires the DPO4USB application module.

**Group** Trigger

**Syntax** TRIGger:A:BUS:B<x>:USB:CONDition  
{SYNC|RESET|SUSPEND|RESUME|EOP|TOKENPacket|DATAPacket  
|HANDSHAKEPacket|SPECIALPacket|ERROR}  
  
TRIGger:A:BUS:B<x>:USB:CONDition?

**Arguments** SYNC indicates triggering on a Sync field of a packet.

RESET sets triggering on a reset condition.

SUSPEND sets triggering on a suspend condition.

RESUME sets triggering on a resume condition.

EOP indicates triggering on an end-of-packet signal.

TOKENPacket indicates triggering on a token packet.

DATAPacket indicates triggering on a data packet

HANDSHAKEPacket indicates triggering on a handshake packet.

SPECIALPacket indicates triggering on a special status packet.

ERROR indicates triggering on an error condition.

**Examples** TRIGGER:A:BUS:B1:USB:CONDITION TOKENPACKET sets the trigger condition to be a token packet.

TRIGGER:A:BUS:B1:USB:CONDITION? might return  
:TRIGGER:A:BUS:B1:USB:CONDITION SYNC, which indicates that the trigger condition is a sync field.

## TRIGger:A:BUS:B<x>:USB:DATA:HIVALue

This command specifies the binary data string for the upper limit for inside-of-range and outside-of-range qualifiers for the USB trigger when the trigger condition is DATAPacket. Use the command [TRIGger:A:BUS:B<x>:USB:DATA:VALue](#) to set the lower limit. B<x> is the bus number 1-4.

**Conditions** This command requires the DPO4USB application module.

**Group** Trigger

**Syntax** TRIGger:A:BUS:B<x>:USB:DATA:HIVALue <Qstring>  
TRIGger:A:BUS:B<x>:USB:DATA:HIVALue?

**Related Commands** [TRIGger:A:BUS:B<x>:USB:CONDition](#),  
[TRIGger:A:BUS:B<x>:USB:DATA:VALue](#)

**Arguments** <Qstring> within the range 00000000 to 11111111 (00 hex to FF hex).

**Examples** TRIGGER:A:BUS:B1:USB:DATA:HIVALUE "00001000" sets the upper limit to binary 00001000 (08 hex).

TRIGGER:A:BUS:B1:USB:DATA:HIVALUE? might return  
:TRIGGER:A:BUS:B1:USB:DATA:HIVALUE "01111111", which  
indicates that the upper limit is 01111111 (7F hex).

## TRIGger:A:BUS:B<x>:USB:DATA:OFFSet

This command specifies the data offset in bytes to trigger on. The minimum and default values are 0 and the maximum is 1024. B<x> is the bus number 1-4.

**Conditions** This command requires the DPO4USB application module.

**Group** Trigger

**Syntax** TRIGger:A:BUS:B<x>:USB:DATA:OFFSet <NR1>  
TRIGger:A:BUS:B<x>:USB:DATA:OFFSet?

**Related Commands** [TRIGger:A:BUS:B<x>:USB:CONDition](#)

**Arguments** <NR1> is number in the range 0 to 1024.

**Examples** TRIGGER:A:BUS:B1:USB:DATA:OFFSET 36 sets the data offset to 36.

TRIGGER:A:BUS:B1:USB:DATA:OFFSET? might return  
:TRIGGER:A:BUS:B1:USB:DATA:OFFSET 0, indicating that the  
data offset is the default value, 0.

## TRIGger:A:BUS:B<x>:USB:DATA:SIZE

This command specifies the number of contiguous data bytes to trigger on. The minimum and default values are 1 and maximum is 16. B<x> is the bus number 1-4.

**Conditions** This command requires the DPO4USB application module.

**Group** Trigger

**Syntax** TRIGger:A:BUS:B<x>:USB:DATA:SIZE <NR1>  
TRIGger:A:BUS:B<x>:USB:DATA:SIZE?

- Arguments** <NR1> is number in the range 1 to 16.
- Examples** TRIGGER:A:BUS:B1:USB:DATA:SIZE 4 sets the oscilloscope to trigger on four contiguous data bytes.
- TRIGGER:A:BUS:B1:USB:DATA:SIZE? might return  
:TRIGGER:A:BUS:B1:USB:DATA:SIZE 6 indicating that the oscilloscope will trigger on 6 contiguous data bytes.

## TRIGger:A:BUS:B<x>:USB:DATA:TYPE

This command specifies the data type for when the trigger condition is set to DATAPacket. B<x> is the bus number 1-4.

- Conditions** This command requires the DPO4USB application module.
- Group** Trigger
- Syntax** TRIGger:A:BUS:B<x>:USB:DATA:TYPE {ANY|DATA0|DATA1}  
TRIGger:A:BUS:B<x>:USB:DATA:TYPE?
- Related Commands** [TRIGger:A:BUS:B<x>:USB:CONDition](#)
- Arguments** ANY indicates either a DATA0 or DATA1 data packet type.  
DATA0 indicates a DATA0 data packet type.  
DATA1 indicates a DATA1 data packet type.
- Examples** TRIGGER:A:BUS:B1:USB:DATA:TYPE DATA0 sets the oscilloscope to trigger on a DATA0 data packet type.
- TRIGGER:A:BUS:B1:USB:DATA:TYPE? might return  
:TRIGGER:A:BUS:B1:USB:DATA:TYPE DATA1, indicating that the data packet type is set to DATA1.

## TRIGger:A:BUS:B<x>:USB:DATA:VALue

This command specifies the binary data string to be used for the USB trigger when the trigger condition is DATAPacket.



This command also specifies the binary data string for the lower limit for inside-of-range and outside-of-range qualifiers for the USB trigger when trigger condition is DATApacket. B<x> is the bus number 1-4.

**Conditions** This command requires the DPO4USB application module.

**Group** Trigger

**Syntax** TRIGger:A:BUS:B<x>:USB:DATA:VALue <QString>  
TRIGger:A:BUS:B<x>:USB:DATA:VALue?

**Related Commands** [TRIGger:A:BUS:B<x>:USB:CONDition](#)

**Arguments** <QString> within the range 00000000 to 11111111 (00 hex to FF hex).

**Examples** TRIGGER:A:BUS:B1:USB:DATA:VALUE "00001000" sets the binary address to 00001000 (08 hex).

TRIGGER:A:BUS:B1:USB:DATA:VALUE? might return  
:TRIGGER:A:BUS:B1:USB:DATA:VALUE "01000000", which indicates that the binary address is 01000000 (40 hex).

## TRIGger:A:BUS:B<x>:USB:ENDPoint:VALue

This command specifies the binary endpoint string to be used for the USB trigger. B<x> is the bus number 1-4.

**Conditions** This command requires the DPO4USB application module.

**Group** Trigger

**Syntax** TRIGger:A:BUS:B<x>:USB:ENDPoint:VALue <QString>  
TRIGger:A:BUS:B<x>:USB:ENDPoint:VALue?

**Related Commands** [TRIGger:A:BUS:B<x>:USB:CONDition](#)

**Arguments** <QString> within the range 0000 to 1111 (00 hex to 0F hex).

**Examples** TRIGGER:A:BUS:B1:USB:ENDPOINT:VALUE "1000" sets the binary address to 1000 (08 hex).

TRIGGER:A:BUS:B1:USB:ENDPOINT:VALUE? might return  
:TRIGGER:A:BUS:B1:USB:ENDPOINT:VALUE "1001", which indicates that the binary address is 1001 (09 hex).

## TRIGger:A:BUS:B<x>:USB:ERRTYPE

This command specifies the error type to be used when the trigger condition is set to ERRor. B<x> is the bus number 1-4.

**Conditions** This command requires the DPO4USB application module.

**Group** Trigger

**Syntax** TRIGger:A:BUS:B<x>:USB:ERRTYPE {PID|CRC5|CRC16|BITSTUFFing}  
TRIGger:A:BUS:B<x>:USB:ERRTYPE?

**Related Commands** [TRIGger:A:BUS:B<x>:USB:CONDition](#)

**Arguments** PID indicates the error type is set to packet ID.  
CRC5 indicates the error type is set to 5-bit CRC.  
CRC16 indicates the error type is set to 16-bit CRC.  
BITSTUFFing indicates the error type is set to bit stuffing.

**Examples** TRIGGER:A:BUS:B1:USB:ERRTYPE PID sets the error trigger condition to packet ID.

TRIGGER:A:BUS:B1:USB:ERRTYPE? might return  
:TRIGGER:A:BUS:B1:USB:TYPE PID, indicating the error trigger condition is packet ID.

## TRIGger:A:BUS:B<x>:USB:HANDSHAKEType

This command specifies the handshake type for the USB trigger. B<x> is the bus number 1-4.

**Conditions** This command requires the DPO4USB application module.

|                         |                                                                                                                                                                                                                                                                                                                                                                            |
|-------------------------|----------------------------------------------------------------------------------------------------------------------------------------------------------------------------------------------------------------------------------------------------------------------------------------------------------------------------------------------------------------------------|
| <b>Group</b>            | Trigger                                                                                                                                                                                                                                                                                                                                                                    |
| <b>Syntax</b>           | TRIGger:A:BUS:B<x>:USB:HANDSHAKETYPE {ANY NAK ACK STALL}<br>TRIGger:A:BUS:B<x>:USB:HANDSHAKETYPE?                                                                                                                                                                                                                                                                          |
| <b>Related Commands</b> | <a href="#">TRIGger:A:BUS:B&lt;x&gt;:USB:CONDition</a>                                                                                                                                                                                                                                                                                                                     |
| <b>Arguments</b>        | <p>ANY indicates the oscilloscope will trigger on any handshake type.</p> <p>NAK indicates the oscilloscope will trigger when a device cannot send or receive data.</p> <p>ACK indicates the oscilloscope will trigger when a packet is successfully received.</p> <p>STALL indicates the oscilloscope will trigger when a device requires intervention from the host.</p> |
| <b>Examples</b>         | <p>TRIGGER:A:BUS:B1:USB:HANDSHAKETYPE ACK sets the handshake type to acknowledgement.</p> <p>TRIGGER:A:BUS:B1:USB:HANDSHAKETYPE? might return<br/>:TRIGGER:A:BUS:B1:USB:HANDSHAKETYPE STALL, indicating that the handshake type is set to stall.</p>                                                                                                                       |

## TRIGger:A:BUS:B<x>:USB:QUALifier

This command specifies the USB trigger qualifier for address, endpoint and data. B<x> is the bus number 1-4.

|                         |                                                                                                                                                                              |
|-------------------------|------------------------------------------------------------------------------------------------------------------------------------------------------------------------------|
| <b>Conditions</b>       | This command requires the DPO4USB application module.                                                                                                                        |
| <b>Group</b>            | Trigger                                                                                                                                                                      |
| <b>Syntax</b>           | <p>TRIGger:A:BUS:B&lt;x&gt;:USB:QUALifier<br/>{LESSthan MOREthan EQUAL UNEQUAL LESSEQUAL<br/> MOREEQUAL INrange OUTrange}</p> <p>TRIGger:A:BUS:B&lt;x&gt;:USB:QUALifier?</p> |
| <b>Related Commands</b> | <a href="#">TRIGger:A:BUS:B&lt;x&gt;:USB:CONDition</a>                                                                                                                       |

**Arguments**

- LESSThan triggers on an input value that is less than a set value.
- MOREthan triggers on an input value that is greater than a set value.
- EQua1 triggers on an input value that is equal to a set value.
- UNEQua1 triggers on an input value that is not equal to a set value.
- LESSEQua1 triggers on an input value that is less than or equal to a set value.
- MOREEQua1 triggers on an input value that is more than or equal to a set value.
- INrange triggers on an input value that is within a range set by two values.
- OUTrange triggers on an input value that is outside of a range set by two values.

**Examples**

TRIGGER:A:BUS:B1:USB:QUALIFIER LESSTHAN sets the oscilloscope to trigger when an address, data, or endpoint value is less than a set value.

TRIGGER:A:BUS:B1:USB:QUALIFIER? might return  
:TRIGGER:A:BUS:B1:USB:QUALIFIER EQUAL indicating that the trigger condition is to trigger when an address, data, or endpoint is equal to a set value.

## TRIGger:A:BUS:B<x>:USB:SOFFRAMENUMber

This command specifies the binary data string to be used for start of frame number, when the trigger condition is Token Packet and the token type is Start of Frame. B<x> is the bus number 1-4.

**Conditions** This command requires the DPO4USB application module.

**Group** Trigger

**Syntax** TRIGger:A:BUS:B<x>:USB:SOFFRAMENUMber <QString>  
TRIGger:A:BUS:B<x>:USB:SOFFRAMENUMber?

**Related Commands** [TRIGger:A:BUS:B<x>:USB:CONDition](#)

**Arguments** <QString> within the range 000 0000 0000 to 111 1111 1111 (000 hex to 7FF hex).

**Examples** TRIGGER:A:BUS:B1:USB:SOFFRAMENUMBER "00000001000" sets the start of frame number to 00000001000 (008 hex).

TRIGGER:A:BUS:B1:USB:SOFFRAMENUMBER? might return  
:TRIGGER:A:BUS:B1:USB:SOFFRAMENUMBER "0000001001", which  
indicates that the start of frame number is 0000001001 (009 hex).

## TRIGger:A:BUS:B<x>:USB:SPECIALType

This command specifies the packet ID (PID) for the special packet. B<x> is the bus number 1-4.

**Conditions** This command requires the DPO4USB application module.

**Group** Trigger

**Syntax** TRIGger:A:BUS:B<x>:USB:SPECIALType {ANY|PREAmble|RESERVED}  
TRIGger:A:BUS:B<x>:USB:SPECIALType?

**Related Commands** [TRIGger:A:BUS:B<x>:USB:CONDition](#)

**Arguments** ANY indicates any type of special packet.  
PREAmble indicates a preamble special packet.  
RESERVED indicates a reserved special packet.

**Examples** TRIGGER:A:BUS1:USB:SPECIALTYPE PREAMBLE sets the special packet type to preamble.  
TRIGGER:A:BUS1:USB:SPECIALTYPE? might return  
:TRIGGER:A:BUS1:USB:SPECIALTYPE PREAMBLE, indicating that the special type is set to preamble.

## TRIGger:A:BUS:B<x>:USB:SPLit:ET:VALue

When triggering on a high-speed USB split transaction, this command specifies the split transaction endpoint type value to trigger on. B<x> is the bus number 1-4.

**Group** Trigger

**Syntax** TRIGger:A:BUS:B<x>:USB:SPLit:ET:VALue  
{NOCARE|CONTRo1|ISOchronous|BULK|INTERRUPT}

TRIGger:A:BUS:B<x>:USB:SPLit:ET:VALue?

**Related Commands** [TRIGger:A:BUS:B<x>:USB:SPECIALType](#)

**Arguments** NOCARE — any endpoint type.  
 CONTROl — control endpoint type.  
 ISOchronous — isochronous endpoint type.  
 BULK — bulk endpoint type (BULK-IN or BULK-OUT).  
 INTERRUPT — interrupt endpoint type (Interrupt-IN).

**Examples** TRIGger:A:BUS:B1:USB:SPLit:ET:VALue iso sets the endpoint type to trigger on to isochronous.  
 TRIGger:A:BUS:B1:USB:SPLit:ET:VALue? might return BULK, indicating that the bulk endpoint type has been specified to trigger on.

## TRIGger:A:BUS:B<x>:USB:SPLit:HUB:VALue

When triggering on a high-speed USB split transaction, this command specifies the split transaction hub address value to trigger on. The value can be up to 7 characters long. The default is all X's (don't care).B<x> is the bus number 1-4.

**Group** Trigger

**Syntax** TRIGger:A:BUS:B<x>:USB:SPLit:HUB:VALue <QString>  
 TRIGger:A:BUS:B<x>:USB:SPLit:HUB:VALue?

**Related Commands** [TRIGger:A:BUS:B<x>:USB:SPECIALType](#)

**Arguments** QString is a quoted string of up to 7 characters. The valid characters are 0 and 1.

**Examples** TRIGger:A:BUS:B1:USB:SPLit:HUB:VALue "001010" sets the split transaction hub address to trigger on to 001010.  
 TRIGger:A:BUS:B1:USB:SPLit:HUB:VALue? might return XXXXXXXX, indicating that the hub address value to trigger on doesn't matter.

## TRIGger:A:BUS:B<x>:USB:SPLit:PORT:VALue

When triggering on a high-speed USB split transaction, this command specifies the split transaction port address value to trigger on. The value can be up to 7 characters long. The default is all X's (don't care). B<x> is the bus number 1-4.

**Group** Trigger

**Syntax** TRIGger:A:BUS:B<x>:USB:SPLit:PORT:VALue <QString>  
TRIGger:A:BUS:B<x>:USB:SPLit:PORT:VALue?

**Related Commands** [TRIGger:A:BUS:B<x>:USB:SPECIALType](#)

**Arguments** QString is a quoted string of up to 7 characters. The valid characters are 0 and 1.

**Examples** TRIGger:A:BUS:B1:USB:SPLit:PORT:VALue "001010" sets the split transaction hub address to trigger on to 001010.

TRIGger:A:BUS:B1:USB:SPLit:PORT:VALue? might return XXXXXXXX, indicating that the hub address value to trigger on doesn't matter.

## TRIGger:A:BUS:B<x>:USB:SPLit:SC:VALue

When triggering on a high-speed USB split transaction, this command specifies whether to trigger on the start or complete phase of the split transaction, based on the Start/Complete bit field value. (0 = Start, 1 = Complete). The default is NOCARE. B<x> is the bus number 1-4.

**Group** Trigger

**Syntax** TRIGger:A:BUS:B<x>:USB:SPLit:SC:VALue {NOCARE|SSPLIT|CSPLIT}  
TRIGger:A:BUS:B<x>:USB:SPLit:SC:VALue?

**Related Commands** [TRIGger:A:BUS:B<x>:USB:SPECIALType](#)

**Arguments** NOCARE — trigger on either the start or complete phase of the split transaction.  
SSPLIT — trigger on the start phase of the split transaction.  
CSPLIT — trigger on the complete phase of the split transaction.

- Examples** TRIGger:A:BUS:B1:USB:SPLit:SC:VALue SSPLIT specifies to trigger on the start phase of the split transaction.
- TRIGger:A:BUS:B1:USB:SPLit:SC:VALue? might indicate NOCARE, specifying that it doesn't matter whether to trigger on the start or complete phase of the split transaction.

## TRIGger:A:BUS:B<x>:USB:SPLit:SE:VALue

When triggering on a high-speed USB split transaction, this command specifies the split transaction start/end bit value to trigger on. B<x> is the bus number 1-4.

---

**NOTE.** *The start and end bits are interpreted based on the type of split transaction:*

*For Interrupt and control transactions, the S bit means Speed: 0 = Full Speed, 1 = Low Speed.*

*For bulk IN/OUT and isochronous IN start-split transactions, the S field must be 0.*

*For bulk/control IN/OUT, interrupt IN/OUT, and isochronous IN start-split transactions, the E field must be 0.*

*For full-speed isochronous OUT start-split transactions, the S (Start) and E (End) fields specify how the high-speed data payload corresponds to data for a full-speed data packet as shown below:*

### *S E High-speed to Full-speed Data Relation*

*0 0 High-speed data is the middle of the full-speed data payload.*

*0 1 High-speed data is the end of the full-speed data payload.*

*1 0 High-speed data is the beginning of the full-speed data payload.*

*1 1 High-speed data is all of the full speed data payload.*

---

**Group** Trigger

**Syntax** TRIGger:A:BUS:B<x>:USB:SPLit:SE:VALue  
{NOCARE|FULLSPeed|LOWSPeed|ISOSTART|ISOMID|ISOEND|ISOALL}

TRIGger:A:BUS:B<x>:USB:SPLit:SE:VALue?

**Related Commands** [TRIGger:A:BUS:B<x>:USB:SPECIALType](#)



**Arguments** NOCARE — any combination of S and E bits.  
 FULLSPeED — S bit = 0, E bit = 0.  
 LOWSPeED — S bit = 1, E bit = 0.  
 ISOSTART — S bit = 1, E bit = 0.  
 ISOMID — see note above.  
 ISOEND — see note above.  
 ISOALL — see note above.

**Examples** TRIGger:A:BUS:B1:USB:SPLit:SE:VALue ISOEND specifies to trigger on the ISOEND split transaction value.  
 TRIGger:A:BUS:B1:USB:SPLit:SE:VALue? might return FULLSPEED.

## TRIGger:A:BUS:B<x>:USB:TOKENType

This command specifies the token type for the USB trigger. B<x> is the bus number 1-4.

**Conditions** This command requires the DPO4USB application module.

**Group** Trigger

**Syntax** TRIGger:A:BUS:B<x>:USB:TOKENType {ANY|SOF|OUT|IN|SETUP}  
 TRIGger:A:BUS:B<x>:USB:TOKENType?

**Related Commands** [TRIGger:A:BUS:B<x>:USB:CONDition](#)

**Arguments** ANY  
 indicates any of the token types.  
 SOF indicates a SOF (start-of-frame) token type  
 OUT indicates an OUT token type.  
 IN indicates an IN token type.  
 SETUP indicates a SETUP token type.

**Examples** TRIGGER:A:BUS:B1:USB:TOKENTYPE SETUP sets the token type to SETUP.  
 TRIGGER:A:BUS:B1:USB:TOKENTYPE? might return  
 :TRIGGER:A:BUS:B1:USB:TOKENTYPE SOF if the token type is SOF.

## TRIGger:A:BUS:SOUrce

This command specifies the source for a serial or parallel bus trigger, with the appropriate application module installed. The MSO4000B and MDO4000 models can trigger on parallel buses without an application module.

- Conditions**
- For I<sup>2</sup>C or SPI buses, install the DPOEMBD application module.
  - For RS-232, RS-422, RS-485, or UART buses, install the DPO4COMP module.
  - For I<sup>2</sup>S, Left Justified (LJ), Right Justified (RJ), or TDM buses, install the DPO4AUDIO module.
  - For CAN or LIN buses, install the DPO4AUTO or DPO4AUTOMAX module.
  - For FlexRay buses, install the DPO4AUTOMAX module.
  - For Ethernet signals, install the DPO4ENET module. Note that  $\geq 350$  MHz bandwidth models are recommended for 100BASE-TX.
  - For MIL-STD-1553 buses, install the DPO4AERO module.
  - For USB buses, install the DPO4USB module. Note that 1 GHz bandwidth models are recommended for high-speed (HS) USB.

A table is available listing the commands enabled by each application module. (See page G-1, *Application Module-enabled Commands*.)

**Group** Trigger

**Syntax** TRIGger:A:BUS:SOUrce {B1|B2|B3|B4}  
 TRIGger:A:BUS:SOUrce?

**Arguments** B1 specifies the Bus 1 source.  
 B2 specifies the Bus 2 source.  
 B3 specifies the Bus 3 source.  
 B4 specifies the Bus 4 source.

## TRIGger:A:EDGE? (Query Only)

Returns the trigger source, coupling, and slope for the A edge trigger.

**Group** Trigger

**Syntax** TRIGger:A:EDGE?

**Related Commands** [TRIGger:A:LOGic?](#)

**Examples** TRIGGER:A:EDGE? might return :TRIGGER:A:EDGE:SOURCE CH1;COUPLING DC;SLOPE RISE indicating the trigger source, coupling, and slope for the A edge trigger.

## TRIGger:A:EDGE:COUPLing

This command specifies the type of coupling for the A edge trigger.

**Group** Trigger

**Syntax** TRIGger:A:EDGE:COUPLing {AC|DC|HFRej|LFRej|NOISerej}  
TRIGger:A:EDGE:COUPLing?

**Related Commands** [TRIGger:A:EDGE:SOURce](#),  
[TRIGger:A:EDGE:SLOpe](#)

**Arguments** AC specifies AC trigger coupling,  
DC specifies DC trigger coupling, which passes all input signals to the trigger circuitry.  
HFRej specifies high-frequency rejection coupling, which attenuates signals above 50 kHz before passing the signals to the trigger circuitry.  
LFRej specifies low-frequency rejection coupling, which attenuates signals below 50 kHz before passing the signals to the trigger circuitry.  
NOISerej specifies noise-rejection coupling, which provides stable triggering by increasing the trigger hysteresis. Increased hysteresis reduces the trigger sensitivity to noise but may require greater trigger signal amplitude.

- Examples** TRIGGER:A:EDGE:COUPLING DC sets the A edge trigger coupling to DC.  
 TRIGGER:A:EDGE:COUPLING? might return :TRIGGER:A:EDGE:COUPLING DC indicating that the A edge trigger coupling is set to DC.

## TRIGger:A:EDGE:SLOpe

This command specifies the slope for the A edge trigger.

---

**NOTE.** A series of example command sequences showing different searches and triggers is included as an appendix. (See page F-1, Search and Trigger Command Sequence Examples.)

---

- Group** Trigger
- Syntax** TRIGger:A:EDGE:SLOpe {RISe|FALL}  
 TRIGger:A:EDGE:SLOpe?
- Related Commands** [TRIGger:A:EDGE:SOUrce](#),  
[TRIGger:A:EDGE:COUPling](#)
- Arguments** RISe specifies to trigger on the rising or positive edge of a signal.  
 FALL specifies to trigger on the falling or negative edge of a signal.
- Examples** TRIGGER:A:EDGE:SLOPERISE sets the A edge trigger slope to positive, which triggers on the rising edge of the signal.  
 TRIGGER:A:EDGE:SLOPE? might return :TRIGGER:A:EDGE:SLOPE FALL indicating that the A edge trigger slope is negative.

## TRIGger:A:EDGE:SOUrce

This command specifies the source for the A edge trigger.

---

**NOTE.** A series of example command sequences showing different searches and triggers is included as an appendix. (See page F-1, Search and Trigger Command Sequence Examples.),

To set the trigger voltage threshold level for the edge, pulse width, runt, transition (rise/fall or slew rate) trigger, use [TRIGger:A:LEVel:AUXin](#), [TRIGger:A:LEVel:CH<x>](#), or [TRIGger:A:LEVel:D<x>](#).

---

|                         |                                                                                                                                                                                                                                                                                                                                                                |
|-------------------------|----------------------------------------------------------------------------------------------------------------------------------------------------------------------------------------------------------------------------------------------------------------------------------------------------------------------------------------------------------------|
| <b>Group</b>            | Trigger                                                                                                                                                                                                                                                                                                                                                        |
| <b>Syntax</b>           | <pre>TRIGger:A:EDGE:SOURce {CH1 CH2 CH3 CH4  D0 D1 D2 D3 D4 D5 D6 D7 D8 D9 D10 D11 D12 D13 D14 D15 LINE RF}  TRIGger:A:EDGE:SOURce?</pre>                                                                                                                                                                                                                      |
| <b>Related Commands</b> | <a href="#">TRIGger:A:EDGE:SLOpe</a> ,<br><a href="#">TRIGger:A:EDGE:COUPling</a>                                                                                                                                                                                                                                                                              |
| <b>Arguments</b>        | <p>CH1–CH4 specifies an analog input channel as the A edge trigger source.</p> <p>D0–D15 specifies a digital channel as the source (MSO/MDO models only).</p> <p>LINE specifies the AC line as the trigger source.</p> <p>RF specifies the internal RF power level as the trigger source. (MDO models only. MDO4TRIG application module is not necessary.)</p> |
| <b>Examples</b>         | <pre>TRIGGER:A:EDGE:SOURCECH1</pre> sets channel 1 as the A edge trigger source. <p><code>TRIGGER:A:EDGE:SOURCE?</code> might return <code>:TRIGGER:A:EDGE:SOURCE CH1</code> indicating that channel 1 is the A edge trigger source.</p>                                                                                                                       |

## TRIGger:A:HOLDoff? (Query Only)

Returns the A trigger holdoff parameters. These parameters specify the time period during which the trigger circuitry is not looking to generate a trigger event.

|                         |                                                                                                                                                                                 |
|-------------------------|---------------------------------------------------------------------------------------------------------------------------------------------------------------------------------|
| <b>Group</b>            | Trigger                                                                                                                                                                         |
| <b>Syntax</b>           | <code>TRIGger:A:HOLDoff?</code>                                                                                                                                                 |
| <b>Related Commands</b> | <a href="#">TRIGger:A:HOLDoff:TIME</a>                                                                                                                                          |
| <b>Examples</b>         | <pre>TRIGGER:A:HOLDOFF?</pre> might return <code>:TRIGGER:A:HOLDOFF:TIME 900.0000E-09;BY DEFAULT</code> indicating that the A edge trigger holdoff time (by default) is 900 ns. |

## TRIGger:A:HOLDoff:TIME

This command specifies the A trigger holdoff time.

**Group** Trigger

**Syntax** TRIGger:A:HOLDoff:TIME <NR3>  
TRIGger:A:HOLDoff:TIME?

**Arguments** <NR3> is a floating point number that specifies the holdoff time in seconds. The range is from 20 ns through 8.0 s.

**Examples** TRIGGER:A:HOLDOFF:TIME ? might return :TRIGGER:A:HOLDOFFTIME  
1.2000E-06 indicating that the A trigger holdoff time is set to 1.2  $\mu$ s.

TRIGGER:A:HOLDOFF:TIME 10 sets the A trigger holdoff time to 10 s.

## TRIGger:A:LEVel:AUXin

This command sets the threshold voltage level to use for an Edge, Pulse Width, Runt or Rise/Fall (aka Transition, aka Slew Rate) trigger when triggering on the auxiliary input waveform.

**Conditions** This command is not available for MDO Series oscilloscope models, as the RF input replaces the auxiliary input in these models.

**Group** Trigger

**Syntax** TRIGger:A:LEVel:AUXin {<NR3>|ECL|TTL}  
TRIGger:A:LEVel:AUXin?

**Arguments** <NR3> is a floating point number that sets the trigger threshold level, in Volts, for the auxiliary input.

ECL sets the threshold level to a preset ECL high level of -1.3V.

TTL sets the threshold level to a preset TTL high level of 1.4V.

## TRIGger:A:LEVel:CH<x>

This command sets the threshold voltage level to use for an Edge, Pulse Width, Runt or Rise/Fall (aka Transition, aka Slew Rate) trigger when triggering on an analog channel waveform. x can be 1 - 4. Each channel can have an independent trigger level.

**Group** Trigger

**Syntax** TRIGger:A:LEVel:CH<x> {<NR3>|ECL|TTL}  
TRIGger:A:LEVel:CH<x>?

**Arguments** <NR3> is a floating point number that sets the trigger threshold level, in Volts, for the specified analog channel.

ECL sets the threshold level to a preset ECL high level of -1.3V.

TTL sets the threshold level to a preset TTL high level of 1.4V.

## TRIGger:A:LEVel:D<x>

This command sets the threshold voltage level to use for an Edge or Pulse Width trigger when triggering on a digital channel waveform. x can be 1 - 16. Each channel can have an independent trigger level.

**Conditions** MSO/MDO models only.

**Group** Trigger

**Syntax** TRIGger:A:LEVel:D<x> {<NR3>|ECL|TTL}  
TRIGger:A:LEVel:D<x>?

**Arguments** <NR3> is a floating point number that sets the trigger threshold level, in Volts, for the specified digital channel.

ECL sets the threshold level to a preset ECL high level of -1.3V.

TTL sets the threshold level to a preset TTL high level of 1.4V.

## TRIGger:A:LOGic? (Query Only)

Returns all of the A logic trigger parameters.

**Group** Trigger

**Syntax** TRIGger:A:LOGic?

**Related Commands** [TRIGger:A:LOGic:CLAss](#)

**Examples** TRIGGER:A:LOGIC? might return :TRIGGER:A:LOGIC:CLASS  
 SETHOLD;FUNCTION AND;THRESHOLD:CH1 20.0000E-3;CH2 0.0000;  
 CH3 0.0000;CH4 0.0000;:TRIGGER:A:LOGIC:INPUT:CH1  
 X;CH2 X;CH3 X;CH4 X;CLOCK:SOURCE NONE;EDGE  
 RISE;:TRIGGER:A:LOGIC:PATTERN:INPUT:CH1 X;CH2 X;CH3  
 X;CH4 X;:TRIGGER :A:LOGIC:PATTERN:WHEN TRUE;WHEN:LESSLIMIT  
 4.0000E-9;LIMIT 4.0000E-9;:TRIGGER:A:LOGIC:PATTERN:DELTATIME  
 4.0000E-9

## TRIGger:A:LOGic:CLAss

This command specifies what kind of logic trigger to use (either logic or setup/hold). You also need to set the trigger type to LOGIC using the command [TRIGger:A:TYPE](#).

The LOGIC argument sets the oscilloscope to trigger on logical combinations of the channels (set using the TRIGger:A:LOGIC:INPut commands as well as [TRIGger:A:LOGic:FUNction](#)). You can use up to 20 channels for a logic trigger (4 analog and 16 digital). With an MDO4000, you can also use the internal RF power level in a logic trigger (requires installation of an MDO4TRIG application module). You can perform logic triggering using a clock; when [TRIGger:A:LOGic:INPut:CLOCK:SOURce](#) is set to one of the channels, the oscilloscope triggers when the specified logical combination of the remaining channels is true during a transition on the clock channel. You can also perform logic triggering without using a clock (by setting [TRIGger:A:LOGic:INPut:CLOCK:SOURce](#) to NONE), so that the oscilloscope triggers when the specified logical combination of data channels is met. Without a clock, you can also use the command [TRIGger:A:LOGic:PATtern:DELtAtime](#).

The SETHoLd argument sets the oscilloscope to trigger on setup and hold violations between a data source and a clock source. The clocking and data levels are used to determine if a clock or data transition has occurred. You can use up to 20 channels as Setup and Hold trigger data sources (4 analog and 16 digital) using [TRIGger:A:SETHold:DATA:SOURce](#). You can use one channel input as the clock signal ([TRIGger:A:SETHold:CLOCK:SOURce](#)). The data sources cannot include the waveform specified for the clock source.



|                         |                                                                                                                                                                                                                                                                                                                                                                                                                                                                                                                                                                                                                                                                                                                          |
|-------------------------|--------------------------------------------------------------------------------------------------------------------------------------------------------------------------------------------------------------------------------------------------------------------------------------------------------------------------------------------------------------------------------------------------------------------------------------------------------------------------------------------------------------------------------------------------------------------------------------------------------------------------------------------------------------------------------------------------------------------------|
| <b>Group</b>            | Trigger                                                                                                                                                                                                                                                                                                                                                                                                                                                                                                                                                                                                                                                                                                                  |
| <b>Syntax</b>           | TRIGger:A:LOGIC:CLASS {LOGIC SETHold}<br>TRIGger:A:LOGIC:CLASS?                                                                                                                                                                                                                                                                                                                                                                                                                                                                                                                                                                                                                                                          |
| <b>Related Commands</b> | TRIGger:A:TYPE,<br>TRIGger:A:PULse:CLAss                                                                                                                                                                                                                                                                                                                                                                                                                                                                                                                                                                                                                                                                                 |
| <b>Arguments</b>        | <p>LOGIC – Use with the commands TRIGger:A:LOGIC:FUNCTion, TRIGger:A:LOGIC:INPut:CH&lt;x&gt;, TRIGger:A:LOGIC:INPut:CLOCK:EDGE, TRIGger:A:LOGIC:INPut:CLOCK:SOUrce, TRIGger:A:LOGIC:INPut:D&lt;x&gt;, and TRIGger:A:LOGIC:INPut:RF. If you would like to use the logic trigger without a clock, you can also use the command TRIGger:A:LOGIC:PATtern:DELTatime.</p> <p>SETHold – Use with the commands TRIGger:A:SETHold:CLOCK:EDGE, TRIGger:A:SETHold:CLOCK:SOUrce, TRIGger:A:SETHold:CLOCK:THReshold, TRIGger:A:SETHold:DATA:SOUrce, TRIGger:A:SETHold:DATA:THReshold, TRIGger:A:SETHold:HOLDTime, TRIGger:A:SETHold:SETTime, TRIGger:A:SETHold:THReshold:CH&lt;x&gt;, and TRIGger:A:SETHold:THReshold:D&lt;x&gt;.</p> |
| <b>Examples</b>         | <p>TRIGGER:A:LOGIC:CLASS? might return :TRIGGER:A:LOGIC:CLASS LOGIC</p> <p>TRIGGER:A:LOGIC:CLASS LOGIC sets the trigger A logic class to LOGIC, which causes the oscilloscope to trigger when the specified logical combinations of channels 1, 2, 3, and 4 are met.</p>                                                                                                                                                                                                                                                                                                                                                                                                                                                 |

## TRIGger:A:LOGIC:FUNCTion

This command specifies the logical combination of the input channels for the A pattern and A state logic triggers.

|                         |                                                                         |
|-------------------------|-------------------------------------------------------------------------|
| <b>Group</b>            | Trigger                                                                 |
| <b>Syntax</b>           | TRIGger:A:LOGIC:FUNCTion {AND NAND NOR OR}<br>TRIGger:A:LOGIC:FUNCTion? |
| <b>Related Commands</b> | TRIGger:A:LOGIC:INPut:CH<x>                                             |

|                  |                                                                                                                                                                                                                                                                                                         |
|------------------|---------------------------------------------------------------------------------------------------------------------------------------------------------------------------------------------------------------------------------------------------------------------------------------------------------|
| <b>Arguments</b> | <p>AND specifies to trigger if all conditions are true.</p> <p>NAND specifies to trigger if any of the conditions is false.</p> <p>NOR specifies to trigger if all conditions are false.</p> <p>OR specifies to trigger if any of the conditions is true.</p>                                           |
| <b>Examples</b>  | <p>TRIGGER:A:LOGIC:FUNCTION? might return :TRIGGER:A:LOGIC:FUNCTION<br/>NAND</p> <p>which indicates that the oscilloscope will trigger if the AND logic conditions are false.</p> <p>TRIGGER:A:LOGIC:FUNCTION AND sets the logical combination of channels to be true when all conditions are true.</p> |

## TRIGger:A:LOGIc:INPut? (Query Only)

Returns the logic input values for all channels. If a clock channel is defined, it returns the clock source and edge.

|                 |                                                                                                                                                                                                      |
|-----------------|------------------------------------------------------------------------------------------------------------------------------------------------------------------------------------------------------|
| <b>Group</b>    | Trigger                                                                                                                                                                                              |
| <b>Syntax</b>   | TRIGger:A:LOGIc:INPut?                                                                                                                                                                               |
| <b>Examples</b> | <p>TRIGGER:A:LOGIC:INPUT? might return :TRIGGER:A:LOGIC:INPUT:CH1<br/>HIGH;CH2 X;CH3 X indicating that a logic high is expected on channel 1 while channel 2 and channel three are “don't care.”</p> |

## TRIGger:A:LOGIc:INPut:CH<x>

This command specifies the logical input condition for the channel specified by <x>.

|                  |                                                                                                 |
|------------------|-------------------------------------------------------------------------------------------------|
| <b>Group</b>     | Trigger                                                                                         |
| <b>Syntax</b>    | <p>TRIGger:A:LOGIc:INPut:CH&lt;x&gt; {HIGH LOW X}</p> <p>TRIGger:A:LOGIc:INPut:CH&lt;x&gt;?</p> |
| <b>Arguments</b> | <p>HIGH specifies the logic high.</p> <p>LOW specifies the logic low.</p>                       |

X specifies a "don't care" state.

- Examples** TRIGGER:A:LOGIC:INPUT:CH1? might return :TRIGGER:LOGIC:INPUT:CH1 X indicating that the setting for the A logic trigger input to channel 1 does not matter.
- TRIGGER:A:LOGIC:INPUT:CH2 HIGH sets the A logic trigger input to logic HIGH for channel 2.

## TRIGger:A:LOGIc:INPut:CLOCK:EDGE

Sets the polarity of the clock channel.

- Group** Trigger
- Syntax** TRIGger:A:LOGIc:INPut:CLOCK:EDGE {FALL|RISE}  
TRIGger:A:LOGIc:INPut:CLOCK:EDGE?
- Arguments** RISE specifies to trigger on the rising or positive edge of a signal.  
FALL specifies to trigger on the falling or negative edge of a signal.

## TRIGger:A:LOGIc:INPut:CLOCK:SOUrce

This command specifies the channel to use as the clock source. The clock can be selected as NONE. A selection of None implies pattern trigger. Any other selection implies state trigger.

- Group** Trigger
- Syntax** TRIGger:A:LOGIc:INPut:CLOCK:SOUrce {CH1|CH2|CH3|CH4|D0|D1|D2|D3|D4|D5|D6|D7|D8|D9|D10|D11|D12|D13|D14|D15|RF|NONE}  
TRIGger:A:LOGIc:INPut:CLOCK:SOUrce?
- Arguments** CH1-CH4 specifies an analog input channel waveform source.  
D0-D15 specifies a digital input channel waveform source. (MSO/MDO models only).  
RF specifies the internal RF power level as the source. (MDO models only. Also requires installation of an MDO4TRIG application module.)

NONE specifies a Pattern trigger.

## TRIGger:A:LOGic:INPut:D<x>

This command specifies the logic pattern for a trigger on digital channel <x>, where x is the channel number.

**Group** Trigger

**Syntax** TRIGger:A:LOGic:INPut:D<x> {HIGH|LOW|X}  
TRIGger:A:LOGic:INPut:D<x>?

**Arguments** High specifies the logic high state.  
Low specifies the logic low state.  
X specifies a "don't care" state.

## TRIGger:A:LOGic:INPut:RF

This command specifies the logic level to use when the internal RF power level is the source for a logic pattern trigger.

**Conditions** MDO models only. Also requires installation of an MDO4TRIG application module

**Group** Trigger

**Syntax** TRIGger:A:LOGic:INPut:RF {HIGH|LOW|X}  
TRIGger:A:LOGic:INPut:RF?

**Related Commands** [TRIGger:A:LOGic:THReshold:RF](#), [TRIGger:A:LOGic:FUNcTion](#), [TRIGger:A:LOGic:PATtern:WHEn](#)

**Arguments** HIGH specifies to trigger on a high logic level.  
LOW specifies to trigger on a low logic level.  
X specifies a "don't care" condition.

- Examples** `TRIGger:A:LOGIC:INPut:RF HIGH` specifies to trigger on a high logic level when the internal RF power level is the source for a logic pattern trigger.
- `TRIGger:A:LOGIC:INPut:RF?` might return X, indicating that it doesn't matter whether the logic level is high or low.

## TRIGger:A:LOGIc:PATtern? (Query Only)

Returns the conditions used for generating an A logic pattern trigger, with respect to the defined input pattern, and identifies the time that the selected pattern may be true and still generate the trigger.

**Group** Trigger

**Syntax** `TRIGger:A:LOGIC:PATtern?`

- Examples** `TRIGGER:A:LOGIC:PATTERN?` might return
- ```
:TRIGGER:A:LOGIC:PATTERN:INPUT:CH1 HIGH;CH2
LOW;CH3 X;CH4 X;;TRIGGER:A:LOGIC:PATTERN:WHEN
LESSTHAN;WHEN:LESSLIMIT 16.0000E-9;LIMIT
16.0000E-9;;TRIGGER:A:LOGIC:PATTERN:DELTATIME 16.0000E-9
```

TRIGger:A:LOGIc:PATtern:DELTatime

This command specifies the pattern trigger delta time value. The time value is used as part of the pattern trigger condition to determine if the duration of a logic pattern meets the specified time constraints.

Group Trigger

Syntax `TRIGger:A:LOGIC:PATtern:DELTatime <NR3>`
`TRIGger:A:LOGIC:PATtern:DELTatime?`

- Arguments** `<NR3>` is a floating point value with exponent that sets the pattern trigger time value. This argument has a range of $39.6E-9$ (39.6 ns) to $10.0E0$ (10 s), in increments of 13.2 ns. Values that are not an increment of 13.2 ns are rounded to the nearest correct value.

- Examples** `TRIGGER:A:LOGIC:PATTERN:DELTATIME 71.28E-8` sets the pattern trigger delta time value to 712.8 ns.

TRIGger:A:LOGIc:PATtern:WHEn

This command specifies the pattern logic condition on which to trigger the oscilloscope.

Group	Trigger
Syntax	<pre>TRIGger:A:LOGIc:PATtern:WHEn {TRUE FALSE LESSthan MOREthan EQua1 UNEQua1}</pre> <pre>TRIGger:A:LOGIc:PATtern:WHEn?</pre>
Arguments	<p>TRUE triggers the oscilloscope when the pattern becomes true.</p> <p>FALSE triggers the oscilloscope when the pattern becomes false.</p> <p>LESSTHAN triggers the oscilloscope when the input pattern is true for a time period less than the time period specified in TRIGGER:A:LOGIC:PATTERN:DELTATIME.</p> <p>MORETHAN triggers the oscilloscope when the input pattern is true for a time period more (greater) than the time period specified in TRIGGER:A:LOGIC:PATTERN:DELTATIME.</p> <p>EQUAL triggers the oscilloscope when the input pattern is true for a time period equal to the time period specified in TRIGGER:A:LOGIC:PATTERN:DELTATIME, within a $\pm 5\%$ tolerance.</p> <p>UNEQUAL triggers the oscilloscope when the input pattern is true for a time period greater than or less than (not equal to) the time period specified in TRIGGER:A:LOGIC:PATTERN:DELTATIME, within a $\pm 5\%$ tolerance.</p>
Examples	<pre>TRIGGER:A:LOGIC:PATTERN:WHEN LESSTHAN</pre> <p>sets the oscilloscope to trigger when the pattern is true for a time period less than the pattern trigger delta time setting.</p>

TRIGger:A:LOGIc:THReshold:CH<x>

This command sets or queries the trigger A logic threshold voltage for the specified channel x.

Group	Trigger
Syntax	<pre>TRIGger:A:LOGIc:THResho1d:CH<x> {<NR3> ECL TTL}</pre> <pre>TRIGger:A:LOGIc:THResho1d:CH<x>?</pre>

Arguments <NR3> is a floating point number that specifies the threshold voltage, in volts.
 ECL specifies a preset ECL high level of -1.3V.
 TTL specifies a preset TTL high level of 1.4V.

Examples TRIGGER:A:LOGIC:THRESHOLD:CH2 3.0E-3 sets the A logic trigger threshold voltage for Channel 2 to 3 mV.
 TRIGGER:A:LOGIC:THRESHOLD:CH3? might return
 :TRIGGER:A:LOGIC:THRESHOLD:CH3 1.2000E+00, indicating that the A logic trigger threshold voltage for Channel 3 is 1.2 V.

TRIGger:A:LOGic:THReshold:D<x>

This command specifies the trigger A logic threshold level for the specified digital channel <x>. This commands affects all trigger types using the digital channel.

Group Trigger

Syntax TRIGger:A:LOGic:THResho]d:D<x> {<NR3>|ECL|TTL}
 TRIGger:A:LOGic:THResho]d:D<x>?

Arguments <NR3> is a floating point number that specifies the threshold level in volts.
 ECL specifies a preset ECL high level of -1.3V.
 TTL specifies a preset TTL high level of 1.4V.

TRIGger:A:LOGic:THReshold:RF

This command specifies the threshold to use when the internal RF power level is the source for a logic trigger. It will affect all trigger types using the channel.

Conditions MDO models only. Also requires installation of an MDO4TRIG application module.

Group Trigger

Syntax TRIGger:A:LOGic:THResho]d:RF {<NR3>}
 TRIGger:A:LOGic:THResho]d:RF?

Related Commands [TRIGger:A:LOGic:INPut:RF](#), [TRIGger:A:LOGic:FUNcTION](#), [TRIGger:A:LOGic:PATtern:WHEN](#)

Arguments <NR3> is a floating point number that specifies the threshold to use, in the currently selected RF units (using [RF:UNITs](#)). The range is (ref level – 40 dBm) to (ref level + 10 dBm), but never less than –65 dBm or more than +30 dBm.

Examples `TRIGger:A:LOGic:THReshoLd:RF -1.000E+1` sets the threshold to –10 dBm (when the selected RF units are dBm).

`TRIGger:A:LOGic:THReshoLd:RF?` might return -30.0000, indicating that the threshold set to –30.000 dBm (assuming the units are currently set to dBm).

TRIGger:A:LOWerthreshold{:AUX|:EXT}

This command specifies the lower threshold for the Auxiliary Input. Used for the following trigger types: runt, transition.

Group Trigger

Syntax `TRIGger:A:LOWerthreshold{:AUX|:EXT} {<NR3>|ECL|TTL}`
`TRIGger:A:LOWerthreshold{:AUX|:EXT}?`

Arguments <NR3> is a floating point number that specifies the threshold level in volts.

ECL specifies a preset ECL high level of –1.3V.

TTL specifies a preset TTL high level of 1.4V.

TRIGger:A:LOWerthreshold:CH<x>

This command specifies the lower threshold for the channel selected. Each channel can have an independent level. Used in runt and transition triggers as the lower threshold. Used for all other trigger types as the single level/threshold.

Group Trigger

Syntax `TRIGger:A:LOWerthreshold:CH<x> {ECL|TTL|<NR3>}`
`TRIGger:A:LOWerthreshold:CH<x>?`

- Arguments** ECL specifies a preset ECL high level of -1.3V.
TTL specifies a preset TTL high level of 1.4V.
<NR3> is a floating point number that specifies the clock level, in volts.
- Examples** TRIGGER:A:LOWERTHRESHOLD:CH2 50E-3 sets the lower limit threshold for CH2 of the pulse runt trigger to 50 mV.
TRIGGER:A:LOWERTHRESHOLD:CH2? might return :TRIGGER:A:LOWERTHRESHOLD:CH2 1.2000E-01 indicating that the lower limit threshold for CH2 of the pulse runt trigger is set to 120 mV.

TRIGger:A:LOWerthreshold:D<x>

Sets the lower threshold for the digital channel selected. Each channel can have an independent level. Used in runt and transition as the lower threshold. Used for all other trigger types as the single level/threshold.

- Group** Trigger
- Syntax** TRIGger:A:LOWerthreshold:D<x> {<NR3>|ECL|TTL}
TRIGger:A:LOWerthreshold:D<x>?
- Arguments** <NR3> is a floating point number that specifies the threshold voltage, in volts.
ECL specifies a preset ECL high level of -1.3V.
TTL specifies a preset TTL high level of 1.4V.
- Examples** TRIGGER:A:LOWERTHRESHOLD:D1 0.5 sets the lower threshold to 0.5 volts.
TRIGGER:A:LOWERTHRESHOLD:D1? might return
TRIGGER:A:LOWERTHRESHOLD:D1 -1.3000 indicating the lower threshold is set to -1.3 volts.

TRIGger:A:LOWerthreshold:RF

This command specifies the lower threshold when using the internal RF power level for a RUNT trigger, or the single threshold in the cases of the PULSE and TIMEOUT triggers.

To specify the upper threshold for the internal RF power level for the RUNT trigger type, use the command [TRIGger:A:UPPerthreshold:RF](#). To choose the RUNT trigger type, use the command [TRIGger:A:PULse:CLAss](#).

Conditions	MDO models only. Also requires installation of an MDO4TRIG application module.
Group	Trigger
Syntax	TRIGger:A:LOWerthresHo1d:RF {<NR3>} TRIGger:A:LOWerthresHo1d:RF?
Related Commands	TRIGger:A:TYPe, TRIGger:A:EDGE:COUPling, TRIGger:A:EDGE:SLOpe, TRIGger:A:UPPerthresHo1d:RF
Arguments	<NR3> is a floating point number that specifies the threshold to use, in the currently selected RF units (using RF:UNIts). The range is (ref level – 40 dBm) to (ref level + 10 dBm), but never less than –65 dBm or more than +30 dBm.
Examples	TRIGger:A:LOWerthresHo1d:RF -1.000E+1 sets the threshold to –10 dBm. TRIGger:A:LOWerthresHo1d:RF? might return -30.0000, indicating that the threshold set to –30.000 dBm (assuming the units are currently set to dBm).

TRIGger:A:MODe

This command specifies the A trigger mode.

Group	Trigger
Syntax	TRIGger:A:MODe {AUTO NORMa1} TRIGger:A:MODe?
Arguments	AUTO generates a trigger if one is not detected within a specified time period. NORMa1 waits for a valid trigger event.
Examples	TRIGGER:A:MODE NORMAL specifies that a valid trigger event must occur before a trigger is generated. TRIGGER:A:MODE ? might return :TRIGGER:A:MODE NORMAL indicating that a valid trigger event must occur before a trigger is generated.

TRIGger:A:PULse:CLAss

This command specifies which kind of pulse to trigger on (either runt, width, transition (rise/fall or slew rate) or timeout). You also need to set the trigger type to PULSe using the command [TRIGger:A:TYPE](#).

To set the trigger source for a pulse trigger, use [TRIGger:A:RUNT:SOURce](#), [TRIGger:A:PULSEWidth:SOURce](#), [TRIGger:A{:TRANSition|:RISEFall}:SOURce](#), or [TRIGger:A:TIMEOut:SOURce](#).

To set the trigger voltage threshold level for a pulse trigger, use [TRIGger:A:LEVel:AUXin](#), [TRIGger:A:LEVel:CH<x>](#), or [TRIGger:A:LEVel:D<x>](#).

Group Trigger

Syntax [TRIGger:A:PULse:CLAss {RUNT|WIDTH|TRANSition|TIMEOut}](#)
[TRIGger:A:PULse:CLAss?](#)

Related Commands [TRIGger:A:TYPE](#), [TRIGger:A:RUNT?](#), [TRIGger:A{:TRANSition|:RISEFall}?](#)

Arguments

RUNT triggers when a pulse crosses the first preset voltage threshold but does not cross the second preset threshold before recrossing the first. Use with the command [TRIGger:A:RUNT:SOURce](#), [TRIGger:A:RUNT:POLarity](#), [TRIGger:A:RUNT:WHEn](#), and [TRIGger:A:RUNT:WIDTH](#).

WIDTH triggers when a pulse is found that has the specified width or duration and is either inside or outside the specified time limits. Use with the commands [TRIGger:A:PULSEWidth:HIGHLimit](#), [TRIGger:A:PULSEWidth:LOWLimit](#), [TRIGger:A:PULSEWidth:POLarity](#), [TRIGger:A:PULSEWidth:SOURce](#), [TRIGger:A:PULSEWidth:WHEn](#), and [TRIGger:A:PULSEWidth:WIDTH](#).

TRANSition (AKA rise/fall or slew rate) triggers when a pulse crosses both thresholds in the same direction as the specified polarity and the transition time between the two threshold crossings is greater or less than the specified time delta. Use with the commands [TRIGger:A{:TRANSition|:RISEFall}:DELTime](#), [TRIGger:A{:TRANSition|:RISEFall}:POLarity](#), [TRIGger:A{:TRANSition|:RISEFall}:SOURce](#), and [TRIGger:A{:TRANSition|:RISEFall}:WHEn](#),

TIMEOut triggers when no pulse is detected within a specified time. The signal stays above, below, or either above or below, a set value for a set amount of time. Use with the commands [TRIGger:A:TIMEOut:TIME](#), [TRIGger:A:TIMEOut:POLarity](#), [TRIGger:A:TIMEOut:SOURce](#)

Examples TRIGGER:A:PULSE:CLASS WIDTH specifies a width pulse for the A trigger.
 TRIGGER:A:PULSE:CLASS? might return :TRIGGER:A:PULSE:CLASS WIDTH indicating that the trigger is set to activate on a pulse of a specified polarity and width.

TRIGger:A:PULSEwidth:HIGHLimit

This command specifies the upper limit to use, in seconds, when triggering on detection of a pulse whose duration is inside or outside a range of two values. (Use [TRIGger:A:PULSEwidth:LOWLimit](#) to specify the lower value of the range.)

Group Trigger

Syntax TRIGger:A:PULSEwidth:HIGHLimit <NR3>
 TRIGger:A:PULSEwidth:HIGHLimit?

Related Commands [TRIGger:A:PULSEwidth:WHEn](#), [TRIGger:A:PULSEwidth:LOWLimit](#)

Arguments <NR3> is a floating point number that represents the higher value of the range.

Examples To trigger on pulses with durations (widths) that fall outside of the range of 100 nanoseconds to 110 nanoseconds:

```
TRIGger:A:PULSEwidth:LOWLimit 100.0E-9
TRIGger:A:PULSEwidth:HIGHLimit 110.0E-9
TRIGger:A:PULSEwidth:WHEn OUTside
```

TRIGger:A:PULSEwidth:LOWLimit

This command specifies the lower limit to use, in seconds, when triggering on detection of a pulse whose duration is inside or outside a range of two values. (Use [TRIGger:A:PULSEwidth:HIGHLimit](#) to specify the upper limit of the range.)

Group Trigger

Syntax TRIGger:A:PULSEwidth:LOWLimit <NR3>
 TRIGger:A:PULSEwidth:LOWLimit?

Related Commands [TRIGger:A:PULSEwidth:WHEn](#), [TRIGger:A:PULSEwidth:HIGHLimit](#)

Arguments <NR3> is a floating point number that represents the lower value of the range.

Examples To trigger on pulses with durations (widths) that fall outside of the range of 100 nanoseconds to 110 nanoseconds:

```
TRIGger:A:PULSEwidth:LOWLimit 100.0E-9
```

```
TRIGger:A:PULSEwidth:HIGHLimit 110.0E-9
```

```
TRIGger:A:PULSEwidth:WHEN OUTside
```

TRIGger:A:PULSEwidth:POLarity

This command specifies the polarity for a pulse width trigger.

Group Trigger

Syntax TRIGger:A:PULSEwidth:POLarity {NEGative|POSitive}
TRIGger:A:PULSEwidth:POLarity?

Arguments NEGative specifies a negative pulse.

POSitive specifies a positive pulse.

Examples TRIGGER:A:PULSEWIDTH:POLARITY NEGATIVE sets the pulse polarity to negative.

```
TRIGGER:A:PULSEWIDTH:POLARITY? might return
```

```
:TRIGGER:A:WIDTH:POLARITY POSITIVE indicating a positive pulse.
```

TRIGger:A:PULSEwidth:SOURce

This command specifies the source waveform for a pulse width trigger.

Group Trigger

Syntax TRIGger:A:PULSEwidth:SOURce
{CH1|CH2|CH3|CH4|LINE|EXT|D0|D1|D2|D3|D4|D5|D6|D7|D8|D9|
D10|D11|D12|D13|D14|D15|RF}

```
TRIGger:A:PULSEwidth:SOURce?
```

Arguments	<p>CH1–CH4 specifies an analog input channel as the pulse-width trigger source waveform.</p> <p>EXT specifies an external trigger using the auxiliary input connector located on the front panel of the oscilloscope. (For MSO/DPO 4000B series models only.)</p> <p>LINE specifies AC line voltage.</p> <p>D0–D15 specifies a digital channel as the pulse-width trigger source waveform.</p> <p>RF specifies the internal RF power level as the source. (MDO models only. Also requires installation of an MDO4TRIG application module.)</p>
Examples	<p>TRIGGER:A:PULSEWIDTH:SOURCE CH1 sets channel 1 as the pulse width source.</p> <p>TRIGGER:A:PULSEWIDTH:SOURCE? might return :TRIGGER:A:PULSEWIDTH:SOURCE CH1 indicating that channel 1 is the pulse width source.</p>

TRIGger:A:PULSEWidth:WHEn

This command specifies to trigger when a pulse is detected with a width (duration) that is less than, greater than, equal to, or unequal to a specified value (set using [TRIGger:A:PULSEWidth:WIDth](#)), OR whose width falls outside of or within a specified range of two values (set using [TRIGger:A:PULSEWidth:LOWLimit](#) and [TRIGger:A:PULSEWidth:HIGHLimit](#)).

Group	Trigger
Syntax	<pre>TRIGger:A:PULSEwidth:WHEn {LESSthan MOREthan EQua UNEQua WIThin OUTside} TRIGger:A:PULSEwidth:WHEn?</pre>
Related Commands	<p>TRIGger:A:PULSEWidth:WIDth</p> <p>TRIGger:A:PULSEWidth:LOWLimit</p> <p>TRIGger:A:PULSEWidth:HIGHLimit</p> <p>TRIGger:A:PULSEWidth:SOURce</p>
Arguments	<p>LESSthan causes a trigger when a pulse is detected with a width less than the time set by the TRIGger:A:PULSEWidth:WIDth command.</p> <p>MOREthan causes a trigger when a pulse is detected with a width greater than the time set by the TRIGger:A:PULSEWidth:WIDth command.</p>

Equal causes a trigger when a pulse is detected with a width equal to the time period specified in **TRIGger:A:PULSEWidth:WIDTH** within a $\pm 5\%$ tolerance.

UNEQUAL causes a trigger when a pulse is detected with a width greater than or less than (but not equal) the time period specified in **TRIGger:A:PULSEWidth:WIDTH** within a $\pm 5\%$ tolerance.

WITHin causes a trigger when a pulse is detected that is within a range set by two values.

OUTSide causes a trigger when a pulse is detected that is outside of a range set by two values.

Examples

TRIGGER:A:PULSEWIDTH:WHEN LESSTHAN 2.0000E-9 causes the oscilloscope to trigger when a pulse is detected that is shorter than 2 ns.

TRIGGER:A:PULSEWIDTH:WHEN? might return **:TRIGGER:A:PULSEWIDTH:WHEN GREATER THAN 2.0000E-9** indicating that a trigger will be caused when a pulse is detected greater than 2 ns.

To trigger on pulses with durations (widths) that fall outside of the range of 100 nanoseconds to 110 nanoseconds:

```
TRIGger:A:PULSEwidth:LOWLimit 100.0E-9
```

```
TRIGger:A:PULSEwidth:HIGHLimit 110.0E-9
```

```
TRIGger:A:PULSEwidth:WHEN OUTside
```

TRIGger:A:PULSEWidth:WIDTH

This command specifies the pulse width (duration), in seconds, for triggering on pulses whose widths are greater than, less than, equal to, or not equal to the specified value.

Group Trigger

Syntax **TRIGger:A:PULSEwidth:WIDTH <NR3>**
TRIGger:A:PULSEwidth:WIDTH?

Related Commands [TRIGger:A:PULSEWidth:WHEn](#)

Arguments **<NR3>** is a floating point number that specifies the pulse width in seconds.

Examples TRIGGER:A:PULSEWIDTH:WIDTH 5.0E-6 sets the pulse width to 5 μ s.
TRIGGER:A:PULSEWIDTH:WIDTH? might return :TRIGGER:A:PULSEWIDTH:WIDTH 2.0000E-9 indicating that the pulse width is set to 2 ns.

TRIGger:A:RUNT? (Query Only)

Returns the current A runt trigger parameters.

Group Trigger

Syntax TRIGger:A:RUNT?

Examples TRIGGER:A:RUNT? might return :TRIGGER:A:RUNT:SOURCE CH1;POLARITY POSITIVE;WHEN OCCURS;WIDTH 4.0000E-9.

TRIGger:A:RUNT:POLarity

This command specifies the polarity for the runt trigger.

Group Trigger

Syntax TRIGger:A:RUNT:POLarity {EITher|NEGative|POSitive}
TRIGger:A:RUNT:POLarity?

Arguments POSitive indicates that the rising edge crosses the low threshold and the falling edge recrosses the low threshold without either edge ever crossing the high threshold.

NEGative indicates that the falling edge crosses the high threshold and the rising edge recrosses the high threshold without either edge ever crossing the low threshold.

EITher triggers on a runt of either polarity.

Examples TRIGGER:A:RUNT:POLARITY NEGATIVE specifies that the polarity of the A pulse runt trigger is negative.

TRIGGER:A:RUNT:POLARITY? might return :TRIGGER:A:RUNT:POLARITY POSITIVE indicating that the polarity of the A pulse runt trigger is positive.

TRIGger:A:RUNT:SOURce

This command specifies the source waveform for the A runt trigger.

Conditions Requires installation of an MDO4TRIG application module.

Group Trigger

Syntax TRIGger:A:RUNT:SOURce {CH1|CH2|CH3|CH4|RF}
TRIGger:A:RUNT:SOURce?

Arguments CH1–CH4 specifies the analog channel number to use as the source waveform. To specify the threshold levels when using CH1–CH4 as the source, use [TRIGger:A:LOWerthreshold:CH<x>](#) and [TRIGger:A:UPPerthreshold:CH<x>](#).
RF specifies the internal RF power level as the source (MDO models only. Also requires installation of an MDO4TRIG application module.) To specify the threshold levels when using RF power level as the source, use [TRIGger:A:LOWerthreshold:RF](#) and [TRIGger:A:UPPerthreshold:RF](#).

Examples TRIGGER:A:RUNT:SOURCE CH4 sets channel 4 as the source for the A pulse trigger.

TRIGGER:A:RUNT:SOURCE? might return :TRIGGER:A:RUNT:SOURCE CH2 indicating that channel 2 is the source for the A pulse trigger.

TRIGger:A:RUNT:WHEn

This command specifies the type of pulse width the trigger checks for when it detects a runt.

Group Trigger

Syntax TRIGger:A:RUNT:WHEn {LESSthan|MOREthan|EQua1|UNEQua1|OCCURS}
TRIGger:A:RUNT:WHEn?

Related Commands [TRIGger:A:RUNT:WIDth](#)

Arguments	<p>OCCURS argument specifies a trigger event if a runt of any detectable width occurs.</p> <p>LESSthan argument sets the oscilloscope to trigger if the a runt pulse is detected with width less than the time set by the TRIGger:A:RUNT:WIDTH command.</p> <p>MOREthan argument sets the oscilloscope to trigger if the a runt pulse is detected with width greater than the time set by the TRIGger:A:RUNT:WIDTH command.</p> <p>EQua1 argument sets the oscilloscope to trigger if a runt pulse is detected with width equal to the time period specified in TRIGger:A:RUNT:WIDTH within a $\pm 5\%$ tolerance.</p> <p>NOTEQua1 argument sets the oscilloscope to trigger if a runt pulse is detected with width greater than or less than (but not equal to) the time period specified in TRIGger:A:RUNT:WIDTH within a $\pm 5\%$ tolerance.</p>
Examples	<p><code>TRIGGER:A:RUNT:WHEN MORETHAN</code> sets the runt trigger to occur when the oscilloscope detects a runt in a pulse wider than the specified width.</p> <p><code>TRIGGER:A:RUNT:WHEN?</code> might return <code>:TRIGGER:A:PULSE:RUNT:WHEN OCCURS</code> indicating that a runt trigger will occur if the oscilloscope detects a runt of any detectable width.</p>

TRIGger:A:RUNT:WIDTH

This command specifies the width, in seconds, for a runt trigger.

To set the trigger voltage threshold level for the edge, pulse width, runt, or transition (rise/fall or slew rate) trigger, use [TRIGger:A:LEVel:AUXin](#), [TRIGger:A:LEVel:CH<x>](#), or [TRIGger:A:LEVel:D<x>](#).

Group	Trigger
Syntax	<pre>TRIGger:A:RUNT:WIDTH <NR3> TRIGger:A:RUNT:WIDTH?</pre>
Related Commands	TRIGger:A:RUNT:WHEN
Arguments	<NR3> is a floating point number that specifies the minimum width, in seconds.
Examples	<p><code>TRIGGER:A:RUNT:WIDTH 15E-6</code> sets the minimum width of the pulse runt trigger to 15 μs.</p> <p><code>TRIGGER:A:RUNT:WIDTH?</code> might return <code>:TRIGGER:A:PULSE:RUNT:WIDTH 2.0000E-09</code> indicating that the minimum width of a pulse runt trigger is 2 ns.</p>

TRIGger:A:SETHold? (Query Only)

Returns the clock edge polarity, voltage threshold and source input; data voltage threshold and source; and both setup and hold times for setup and hold violation triggering.

Group Trigger

Syntax TRIGger:A:SETHold?

Examples TRIGGER:A:SETHOLD? might return
 :TRIGGER:A:SETHOLD:CLOCK:SOURCE CH1;EDGE RISE;THRESHOLD
 100.0000E-3;:TRIGGER:A:SETHOLD:DATA:SOURCE CH2;THRESHOLD
 80.0000E-3;:TRIGGER:A:SETHOLD:HOLDTIME 20.0000E-9;SETTIME
 8.0000E-9

TRIGger:A:SETHold:CLOCK? (Query Only)

Returns the clock edge polarity, voltage threshold, and source input for setup and hold triggering.

Group Trigger

Syntax TRIGger:A:SETHold:CLOCK?

Examples TRIGGER:A:SETHOLD:CLOCK? might return
 :TRIGGER:A:SETHOLD:CLOCK:SOURCE EXT;EDGE FALL;THRESHOLD
 1.4000

TRIGger:A:SETHold:CLOCK:EDGE

This command specifies the clock edge polarity for setup and hold triggering.

Group Trigger

Syntax TRIGger:A:SETHold:CLOCK:EDGE {FALL|RISE}
 TRIGger:A:SETHold:CLOCK:EDGE?

Arguments FALL specifies polarity as the clock falling edge.
RISe specifies polarity as the clock rising edge.

Examples TRIGGER:A:SETHOLD:CLOCK:EDGE RISE specifies the polarity as the clock rising edge.
TRIGGER:A:SETHOLD:CLOCK:EDGE? might return :TRIGGER:A:SETHOLD:CLOCK:EDGE RISE indicating that polarity is specified as the clock rising edge.

TRIGger:A:SETHold:CLOCK:SOURce

This command specifies the clock source for the setup and hold triggering. You cannot specify the same source for both clock and data.

Group Trigger

Syntax TRIGger:A:SETHold:CLOCK:SOURce
{CH1|CH2|CH3|CH4|D0|D1|D2|D3|D4|D5|D6|D7|D8|D9|D10|D11|D12|D13|D14|D15|AUX|EXT}
TRIGger:A:SETHold:CLOCK:SOURce?

Related Commands [TRIGger:A:SETHold:DATA:SOURce](#)

Arguments CH1–CH4 specifies the analog channel to use as the clock source waveform.
D0–D15 specifies the digital channel to use as the clock source waveform. (MSO/MDO models only.)
AUX or EXT specifies an external trigger using the auxiliary input connector located on the front panel of the oscilloscope. (For MSO/DPO 4000B series models only.)

Examples TRIGGER:A:SETHOLD:CLOCK:SOURCE CH1 specifies channel 1 as the clock source for a setup and hold trigger operation.
TRIGGER:A:SETHOLD:CLOCK:SOURCE? might return :TRIGGER:A:SETHOLD:CLOCK:SOURCE CH4 indicating that channel 4 is the clock source for a setup and hold trigger operation.

TRIGger:A:SETHold:CLOCK:THReshold

This command specifies the clock voltage threshold for the setup and hold trigger.

Group	Trigger
Syntax	TRIGger:A:SETHold:CLOCK:THRESHold {<NR3> TTL} TRIGger:A:SETHold:CLOCK:THRESHold?
Arguments	<NR3> is a floating point number that specifies the clock level, in volts. TTL specifies a preset TTL high level of 1.4 V.
Examples	TRIGGER:A:SETHOLD:CLOCK:THRESHOLD TTL specifies the preset TTL value of 1.4 V as the clock threshold for the setup and hold trigger. TRIGGER:A:SETHOLD:CLOCK:THRESHOLD? might return :TRIGGER:A:LOGIC:SETHOLD:CLOCK:THRESHOLD 1.2000E+00 indicating that the clock threshold for the setup and hold trigger is 1.2 V.

TRIGger:A:SETHold:DATA? (Query Only)

Returns the voltage threshold and data source for the setup and hold trigger.

Group	Trigger
Syntax	TRIGger:A:SETHold:DATA?
Related Commands	TRIGger:A:SETHold:CLOCK?
Examples	TRIGGER:A:SETHOLD:DATA? might return :TRIGGER:A:SETHOLD:DATA:SOURCE CH2;THRESHOLD 80.0000E-3

TRIGger:A:SETHold:DATA:SOURce

This command specifies the data source or sources for setup and hold triggering. You can specify any combination of sources as long as none of them are also the clock source.

For MSO/MDO models, you can specify any combination of CH1-CH4 and D0-D15 as the data sources. On the MSO4000B, you can also use AUX or EXT.

Data sources for DPO models may be one of CH1-CH4 or the Auxin port (EXT or AUX).

Group	Trigger
Syntax	<pre>TRIGger:A:SETHold:DATA:SOURce {CH1 CH2 CH3 CH4 D0 D1 D2 D3 D4 D5 D6 D7 D8 D9 D10 D11 D12 D13 D14 D15 EXT AUX} TRIGger:A:SETHold:DATA:SOURce?</pre>
Related Commands	TRIGger:A:SETHold:CLOCK:SOURce
Arguments	<p>CH1–CH4 specifies an analog input channel as the data source for the setup and hold trigger.</p> <p>D0–D15 specifies a digital channel as the source (MSO/MDO models only).</p> <p>EXT, AUX specifies an external trigger using the Aux In connector located on the front panel of the oscilloscope. (For MSO/DPO 4000B series models only.)</p>
Examples	<p>TRIGGER:A:SETHOLD:DATA:SOURCE CH1 sets channel 1 as the data source for the setup and hold trigger.</p> <p>TRIGGER:A:SETHOLD:DATA:SOURCE CH1,D0,D15 specifies Ch1, D0 and D15 as the setup/hold trigger data sources.</p> <p>TRIGGER:A:SETHOLD:DATA:SOURCE? might return :TRIGGER:A:LOGIC:SETHOLD:DATA:SOURCE CH1,D0,D15 indicating that channel 1, digital channel 0, and digital channel 15 are the current data sources for the setup and hold trigger.</p>

TRIGger:A:SETHold:DATA:THReshold

This command specifies the data voltage threshold for setup and hold trigger.

Group	Trigger
Syntax	<pre>TRIGger:A:SETHold:DATA:THReshold {<NR3> TTL} TRIGger:A:SETHold:DATA:THReshold?</pre>
Arguments	<p>TTL specifies the preset TTL high level of 1.4 V.</p> <p><NR3> is a floating point number that specifies the setup and hold data level, in volts.</p>

Examples TRIGGER:A:SETHOLD:DATA:THRESHOLD TTL specifies the preset high level of 1.4 V as the current data voltage level for the setup and hold trigger.

TRIGGER:A:SETHOLD:DATA:THRESHOLD? might return
:TRIGGER:A:SETHOLD:DATA:THRESHOLD 1.2000E+00 indicating that 1.2 V is the current data voltage level for the setup and hold trigger.

TRIGger:A:SETHold:HOLDTime

This command specifies the hold time for setup and hold violation triggering.

Group Trigger

Syntax TRIGger:A:SETHold:HOLDTime <NR3>
TRIGger:A:SETHold:HOLDTime?

Arguments <NR3> is a floating point number that specifies the hold time setting, in seconds. Positive values for hold time occur after the clock edge. Negative values occur before the clock edge.

Examples TRIGGER:A:SETHOLD:HOLDTIME 3.0E-3 sets the hold time for the setup and hold trigger to 3 ms.

TRIGGER:A:SETHOLD:HOLDTIME? might return
:TRIGGER:A:SETHOLD:HOLDTIME 2.0000E-09 indicating that the current hold time for the setup and hold trigger is 2 ns.

TRIGger:A:SETHold:SETTime

This command specifies the setup time for setup and hold violation triggering.

Group Trigger

Syntax TRIGger:A:SETHold:SETTime <NR3>
TRIGger:A:SETHold:SETTime?

Arguments <NR3> is a floating point number that specifies the setup time for setup and hold violation triggering.

Examples TRIGGER:A:SETHOLD:SETTIME 3.0E-6 specifies that the current setup time for setup and hold trigger is 3 μ s.

TRIGGER:A:SETHOLD:SETTIME? might return
:TRIGGER:A:LOGIC:SETHOLD:SETTIME 2.0000E-09 indicating that the
current setup time for setup and hold trigger is 2 ns.

TRIGger:A:SETHold:THReshold:CH<x>

This command specifies the threshold for the analog channel <x>. x can be 1–4.
All trigger types using the channel are affected.

Group Trigger

Syntax TRIGger:A:SETHold:THReshold:CH<x> {<NR3>|ECL|TTL}
TRIGger:A:SETHold:THReshold:CH<x>?

Arguments <NR3> is a floating point number that specifies the threshold voltage, in volts.
ECL specifies a preset ECL high level of –1.3V.
TTL specifies a preset TTL high level of 1.4V.

Examples TRIGGER:A:SETHOLD:THRESHOLD:CH1 1.5 sets the channel 1 threshold
to 1.5 volts.
TRIGGER:A:SETHOLD:THRESHOLD:CH1? might return
TRIGGER:A:SETHOLD:THRESHOLD:CH1 0.0E+0 indicating the
channel 1 threshold is set to 0.0 volts.

TRIGger:A:SETHold:THReshold:D<x>

This command sets the threshold for the selected digital channel. x can be D0 –
D15. All trigger types using the digital channel are affected.

Group Trigger

Syntax TRIGger:A:SETHold:THReshold:D<x> {<NR3>|ECL|TTL}
TRIGger:A:SETHold:THReshold:D<x>?

Arguments <NR3> is a floating point number that specifies the threshold voltage, in volts.
ECL specifies a preset ECL high level of –1.3V.
TTL specifies a preset TTL high level of 1.4V.

Examples TRIGGER:A:SETHOLD:THRESHOLD:D1 ECL sets the threshold to ECL levels.
 TRIGGER:A:SETHOLD:THRESHOLD:D1? might return
 TRIGGER:A:SETHOLD:THRESHOLD:D1 -1.3000 indicating the
 threshold is set to -1.3 volts.

TRIGger:A:TIMEOut:POLarity

When triggering using the **TIMEOut** trigger type, this commands specifies the polarity to be used. The timeout trigger type is selected using [TRIGger:A:PULse:CLAss](#) **TIMEOut**.

Group Trigger

Syntax TRIGger:A:TIMEOut:POLarity {STAYSHigh|STAYSLow|EITHer}
 TRIGger:A:TIMEOut:POLarity?

Related Commands [TRIGger:A:TIMEOut:SOUrce](#)
[TRIGger:A:TIMEOut:TIME](#)
[TRIGger:A:PULse:CLAss](#)

Arguments STAYSHigh — Trigger when the polarity stays high during the timeout time specified by the command [TRIGger:A:PULse:CLAss](#).
 STAYSLow — Trigger when the polarity stays low during the timeout time specified by the command [TRIGger:A:PULse:CLAss](#).
 EITHer — Trigger when the polarity is either high or low.

Examples TRIGger:A:TIMEOut:POLarity STAYSHigh specifies to trigger when the polarity stay high during the timeout time when triggering using the **TIMEOut** trigger type (selected using [TRIGger:A:PULse:CLAss](#) **TIMEOut**).
 TRIGger:A:TIMEOut:POLarity? might return EITHER, indicating that the polarity doesn't matter when triggering using the **TIMEOut** trigger type.

TRIGger:A:TIMEOut:SOUrce

When triggering using the **TIMEOut** trigger type, this command specifies the source. The available sources are live channels, external (or auxillary) input, and, for MSO/MDO models, the digital channels. The default is channel 1. The timeout trigger type is selected using [TRIGger:A:PULse:CLAss](#) **TIMEOut**.

Conditions	Requires installation of an MDO4TRIG application module.
Group	Trigger
Syntax	<p>TRIGger:A:TIMEOut:SOUrce {CH1 CH2 CH3 CH4 LINE EXT AUX D0 D1 D2 D3 D4 D5 D6 D7 D8 D9 D10 D11 D12 D13 D14 D15 RF}</p> <p>TRIGger:A:TIMEOut:SOUrce?</p>
Related Commands	<p>SEARCH:SEARCH<x>:TRIGger:A:TIMEOut:SOUrce</p> <p>TRIGger:A:TIMEOut:TIME</p> <p>TRIGger:A:TIMEOut:POLarity</p> <p>TRIGger:A:PULse:CLAss</p>
Arguments	<p>CH1–4 specifies an analog channel as the timeout trigger source.</p> <p>EXT, AUX specifies an external trigger using the Aux In connector located on the front panel of the oscilloscope as the timeout trigger source. (For MSO/DPO 4000B series models only.)</p> <p>LINE specifies the AC line as the timeout trigger source.</p> <p>D0–D15 specifies a digital channel as the timeout trigger source (MSO4000B/MDO4000 models only).</p> <p>RF specifies that the internal RF power level can be used as the timeout trigger source. (MDO models only. Also requires installation of an MDO4TRIG application module.)</p>
Examples	<p>TRIGger:A:TIMEOut:SOUrce CH4 specifies to use channel 4 as the source for the timeout trigger.</p> <p>TRIGger:A:TIMEOut:SOUrce? might return CH1, indicating that channel 1 has been set as the source for the timeout trigger.</p>

TRIGger:A:TIMEOut:TIME

When triggering using the TIMEOut trigger type, this command specifies the timeout time, in seconds. The default and minimum is 4.0E-9 seconds and the maximum is 8.0 seconds. The resolution is 800.0E-12 which means that the increments of time specified is 800 picoseconds. The timeout trigger type is selected using [TRIGger:A:PULse:CLAss](#) TIMEOut

Group Trigger

Syntax TRIGger:A:TIMEOut:TIME <NR3>
TRIGger:A:TIMEOut:TIME?

Related Commands [TRIGger:A:TIMEOut:POLarity](#)
[TRIGger:A:TIMEOut:SOUrce](#)
[TRIGger:A:PULse:CLAss](#)

Arguments <NR3> is a floating point number that specifies the timeout time, in seconds.

Examples :TRIGger:A:TIMEOut:TIME 4.0E-9 specifies the timeout time of 4.0 nsec.
:TRIGger:A:TIMEOut:TIME? might return 8.0000E-9, which is the default.

TRIGger:A{:TRANSition|:RISEFall}? (Query Only)

Returns transition time trigger parameters.

Group Trigger

Syntax TRIGger:A{:TRANSition|:RISEFall}?

Related Commands [TRIGger:A:UPPerthreshold:CH<x>](#) , [TRIGger:A:LOWerthreshold:CH<x>](#)

Examples TRIGGER:A::TRANSITION? might return
:TRIGGER:A:TRANSITION:POLARITY POSITIVE;WHEN
SLOWER;DELTATIME 8.0000E-9

TRIGger:A{:TRANSition|:RISEFall}:DELTatime

This command specifies the delta time used in calculating the transition value for the transition trigger.

Group Trigger

Syntax TRIGger:A{:TRANSition|:RISEFall}:DELTatime <NR3>
 TRIGger:A{:TRANSition|:RISEFall}:DELTatime?

Arguments <NR3> is a floating point number that specifies the delta time, in seconds.

Examples TRIGGER:A:TRANSITION:DELTATIME 15E-6 sets the delta time of the transition trigger to 15 μ s.
 TRIGGER:A:TRANSITION:DELTATIME? might return :TRIGGER:A:TRANSITION:DELTATIME 2.0000E-09 indicating that the delta time of the transition trigger is set to 2 ns.

TRIGger:A{:TRANSition|:RISEFall}:POLarity

This command specifies the polarity for the transition trigger.

Group Trigger

Syntax TRIGger:A{:TRANSition|:RISEFall}:POLarity
 {EITHer|NEGative|POSitive}

TRIGger:A{:TRANSition|:RISEFall}:POLarity?

Arguments POSitive indicates that a pulse edge must traverse from the lower (most negative) to higher (most positive) level for transition triggering to occur.
 NEGative indicates that a pulse edge must traverse from the upper (most positive) to lower (most negative) level for transition triggering to occur.
 EITHer indicates either positive or negative polarity.

Examples TRIGGER:A:TRANSITION:POLARITY NEGATIVE sets the transition polarity to negative.
 TRIGGER:A:TRANSITION:POLARITY? might return :TRIGGER:A:TRANSITION:POLARITY EITHER indicating that the polarity can be either positive or negative.

TRIGger:A{:TRANSition|:RISEFall}:SOUrce

This command specifies the source for a transition trigger.

Group	Trigger
Syntax	<pre>TRIGger:A{:TRANSition :RISEFall}:SOURCE {CH1 CH2 CH3 CH4} TRIGger:A{:TRANSition :RISEFall}:SOURCE?</pre>
Arguments	CH1–CH4 specifies one of the analog channels to be used as the source for a transition trigger.
Examples	<pre>TRIGGER:A:TRANSITION:SOURCE CH4</pre> sets channel 4 as the source for the transition trigger. <pre>TRIGGER:A:TRANSITION:SOURCE?</pre> might return <code>:TRIGGER:A:TRANSITION:SOURCE CH2</code> indicating that channel 2 is the source for the A transition trigger.

TRIGger:A{:TRANSition|:RISEFall}:WHEn

This command specifies whether to check for a transitioning signal that is faster or slower than the specified delta time.

Group	Trigger
Syntax	<pre>TRIGger:A{:TRANSition :RISEFall}:WHEn {SLOWer FASTer EQua1 UNEQua1} TRIGger:A{:TRANSition :RISEFall}:WHEn?</pre>
Arguments	<p>FASTer sets the trigger to occur when the signal transition time is faster than the time set by <code>TRIGger:A:TRANSition:DELTAtime</code>.</p> <p>SLOWer sets the trigger to occur when the signal transition time is slower than the time set by <code>TRIGger:A:TRANSition:DELTAtime</code>.</p> <p>EQua1 sets the trigger to occur when the signal transition time is equal to the time set by <code>TRIGger:A:TRANSition:DELTAtime</code>.</p> <p>UNEQua1 sets the trigger to occur when the signal transition time is not equal to the time set by <code>TRIGger:A:TRANSition:DELTAtime</code>.</p>
Examples	<pre>TRIGGER:A:TRANSITION:WHEN SLOWER</pre> sets the trigger to occur when the signal transition time is slower than the time set by the <code>TRIGger:A:TRANSition:DELTAtime</code> command. <pre>TRIGGER:A:TRANSITION:WHEN?</pre> might return <code>:TRIGGER:A:TRANSITION:WHEN FASTER</code>

TRIGger:A:TYPe

This command sets the type of A trigger (either edge, logic, pulse, bus or video). If you set the trigger type to LOGIC, you also need to set the logic trigger class (logic or setup/hold) using the command [TRIGger:A:LOGic:CLAss](#). If you set the trigger type to PULSe, you also need to set the pulse trigger class (either runt, width, transition or timeout), using the command [TRIGger:A:PULse:CLAss](#). If you set the trigger type to BUS, you also need to set the bus type (CAN, I²C, SPI, RS-232, Ethernet, MIL-STD-1553, LIN, USB, audio, FlexRay, or parallel) using the command [TRIGger:A:BUS](#).

NOTE. *A series of example command sequences showing different searches and triggers is included as an appendix. (See page F-1, Search and Trigger Command Sequence Examples.)*

Group	Trigger
Syntax	TRIGger:A:TYPe {EDGE LOGIC PULSe BUS VIDeo} TRIGger:A:TYPe?
Related Commands	TRIGger:A:EDGE? , TRIGger:A:LOGic:CLAss , TRIGger:A:BUS
Arguments	<p>EDGE is the default trigger. A trigger event occurs when a signal passes through a specified voltage level in a specified direction and is controlled by the TRIGger:A:EDGE? commands.</p> <p>LOGIC specifies that a trigger occurs when specified conditions are met and is controlled by the TRIGger:A:LOGic? commands. This trigger type is equivalent to the logic and setup/hold triggers found in the user interface. Use TRIGger:A:LOGic:CLAss to further select the logic trigger class (either LOGIC or SETHOLD).</p> <p>PULSe specifies that a trigger occurs when a specified pulse is found. Use TRIGger:A:PULse:CLAss to further select the pulse trigger class (either runt, width, transition or timeout).</p> <p>BUS specifies that a trigger occurs when a bus signal is found. Supports CAN, I²C, SPI, RS-232, Ethernet, MIL-STD-1553, LIN, USB, audio, FlexRay buses (with the appropriate application module installed) as well as parallel buses (MSO4000B and MDO4000 Series oscilloscopes only). Use TRIGger:A:BUS to set the bus type.</p> <p>VIDeo specifies that the trigger occurs when a video signal is found.</p>

Examples TRIGGER:A:TYPE PULSE sets the A trigger type to PULSE.

TRIGGER:A:TYPE? might return :TRIGGER:A:TYPE PULSE indicating that the A trigger type is a pulse trigger.

TRIGger:A:UPPerthreshold:CH<x>

This command sets the upper threshold for channel <x>, where x is the analog channel number 1–4. Each channel can have an independent level. Used only for runt and transition trigger types.

Group Trigger

Syntax TRIGger:A:UPPerthreshold:CH<x> {<NR3>|ECL|TTL}
TRIGger:A:UPPerthreshold:CH<x>?

Arguments <NR3> is a floating point number that specifies the threshold level, in volts.

ECL specifies a preset ECL high level of –1.3V.

TTL specifies a preset TTL high level of 1.4V.

Examples TRIGGER:A:UPPERTHRESHOLD:CH2 50E-3 sets the upper limit of the pulse runt trigger to 50 mV for channel 2.

TRIGGER:A:UPPERTHRESHOLD:CH2? might return :TRIGGER:A:UPPERTHRESHOLD:CH2 1.2000E-01 indicating that the upper limit of the pulse runt trigger is set to 120 mV.

TRIGger:A:UPPerthreshold:RF

This command specifies the upper threshold when the internal RF power level is used during runt triggering. To specify the lower threshold for the RUNT trigger type as well as the single threshold for the Pulse and Timeout trigger types, use the command [TRIGger:A:LOWerthreshold:RF](#). To choose the RUNT trigger type, use the command [TRIGger:A:PULse:CLAss](#). To specify RF power as a source during runt triggering, use [TRIGger:A:RUNT:SOUrce](#).

Conditions MDO models only. Also requires installation of an MDO4TRIG application module.

Group Trigger

Syntax TRIGger:A:UPPerthresHoId:RF {<NR3>}
 TRIGger:A:UPPerthresHoId:RF?

Related Commands [TRIGger:A:TYPe](#), [TRIGger:A:LOWerthreshold:RF](#)

Arguments <NR3> is a floating point number that specifies the threshold to use, in the currently selected RF units (using [RF:UNIts](#)). The range is (ref level – 40 dBm) to (ref level + 10 dBm), but never less than –65 dBm or more than +30 dBm.

Examples TRIGger:A:UPPerthresHoId:RF -1.000E+1 sets the threshold to –10 dBm.
 TRIGger:A:UPPerthresHoId:RF? might return -30.0000, indicating that the threshold set to –30.000 dBm (assuming the units are currently set to dBm).

TRIGger:A:VIDeo? (Query Only)

Returns the A trigger video parameters.

Group Trigger

Syntax TRIGger:A:VIDeo?

Examples TRIGGER:A:VIDEO? might return :TRIGGER:A:VIDEO:STANDARD
 BILEVELCUSTOM;SYNC ALLLINES;LINE 4;HOLDOFF:FIELD
 0.0E+0;:TRIGGER:A:VIDEO:POLARITY POSITIVE;CUSTOM:FORMAT
 PROGRESSIVE;LINEPERIOD 63.5600E-6;SYNCINTERVAL 4.7200E-6

TRIGger:A:VIDeo:CUSTom{:FORMat[:TYPe]}

This command sets the video trigger format (either interlaced or progressive) to use for triggering on video signals. To use this command, you must also set the video standard to [BILEvelcustom](#) or [TRILEvelcustom](#) (using [TRIGger:A:VIDeo:STANdard](#)).

Conditions This command requires a DPO4VID application module.

Group Trigger

Syntax	<pre>TRIGger:A:VIDeo:CUSTom{:FORMat :TYPe} {INTERLAcEd PROGressive} TRIGger:A:VIDeo:CUSTom{:FORMat :TYPe}?</pre>
Arguments	<p>INTERLAcEd argument sets the format to interlaced video lines.</p> <p>PROGressive argument sets the format to progressive video lines.</p>
Examples	<p>TRIGGER:A:VIDEO:CUSTOM:FORMAT PROGRESSIVE sets the custom format for the A video trigger to progressive lines.</p> <p>TRIGGER:A:VIDEO:CUSTOM:FORMAT? might return :TRIGGER:A:VIDEO:CUSTOM:FORMAT INTERLACED indicating that interlaced is selected as the custom format for the A video trigger.</p>

TRIGger:A:VIDeo:CUSTom:LINEPeriod

This command sets the line period for the standard under test. To use this command, you must also set the video standard to BiLevelCustom or TriLevelCustom (using [TRIGger:A:VIDeo:STANdard](#)).

Conditions	This command requires a DPO4VID application module.
Group	Trigger
Syntax	<pre>TRIGger:A:VIDeo:CUSTom:LINEPeriod <NR3> TRIGger:A:VIDeo:CUSTom:LINEPeriod?</pre>
Arguments	<NR3> is the custom video line period.
Examples	<p>TRIGGER:A:VIDEO:CUSTOM:LINEPERIOD 50.5E-6 sets the video line period to 50.5 μs.</p> <p>TRIGGER:A:VIDEO:CUSTOM:LINEPERIOD? might return TRIGGER:A:VIDEO:CUSTOM:LINEPERIOD 63.5600E-6 indicating the video line period is set to 63.56 μs.</p>

TRIGger:A:VIDeo:CUSTom:SYNCInterval

This command sets the sync interval for the standard under test to use for triggering on video signals. This is only required for BiLevel Custom. To use

this command, you must also set the video standard to `BILevelcustom` (using `TRIGGER:A:VIDEO:STANDARD`).

Conditions	This command requires a DPO4VID application module.
Group	Trigger
Syntax	<code>TRIGGER:A:VIDEO:CUSTOM:SYNCINTERVAL <NR3></code> <code>TRIGGER:A:VIDEO:CUSTOM:SYNCINTERVAL?</code>
Arguments	<NR3> is the sync interval.
Examples	<code>TRIGGER:A:VIDEO:CUSTOM:SYNCINTERVAL 4.0E-6</code> sets the sync interval is set to 4.0 μ s. <code>TRIGGER:A:VIDEO:CUSTOM:SYNCINTERVAL?</code> might return <code>TRIGGER:A:VIDEO:CUSTOM:SYNCINTERVAL 4.7200E-6</code> indicating the sync interval is set to 4.72 μ s.

TRIGGER:A:VIDEO:HOLDoff:FIELD

This command sets the video trigger holdoff, in terms of video fields, to use for triggering on video signals.

Group	Trigger
Syntax	<code>TRIGGER:A:VIDEO:HOLDoff:FIELD <NR3></code> <code>TRIGGER:A:VIDEO:HOLDoff:FIELD?</code>
Arguments	<NR3> argument is a real number from 0.0 to 8.5 in increments of 0.5. The argument sets the number of fields that the oscilloscope waits before rearming the video trigger.
Examples	<code>TRIGGER:A:VIDEO:HOLDoff:FIELD?</code> might return <code>:TRIGGER:A:VIDEO:HOLDoff:FIELD 5</code> indicating that the oscilloscope is set to wait 5 video fields before rearming the trigger. <code>TRIGGER:A:VIDEO:HOLDoff:FIELD 4.5</code> sets the oscilloscope to wait 4.5 video fields before rearming the trigger.

TRIGger:A:VIDeo:LINE

This command lets you set the specific video line number to be used for triggering on a video signal. You must also use the [TRIGger:A:VIDeo{:SYNC|:FIELD}](#) command to specify `NUMERIC` as the video field to use.

Group Trigger

Syntax TRIGger:A:VIDeo:LINE <NR1>
TRIGger:A:VIDeo:LINE?

Related Commands [TRIGger:A:VIDeo{:SYNC|:FIELD}](#)

Arguments <NR1> argument is an integer that sets the video line number on which the oscilloscope triggers. The following table lists the valid choices, depending on the active video standard.

Video Standard	Line Number Range
525/NTSC	1–525
625/PAL	1–625
SECAM	1–625

The following HDTV and custom standards become available with installation of a DPO4VID application module:

Video Standard	Line Number Range
480	1–525
576	1–625
720	1–750
875	1–875
1080	1–1125
Bilevel Custom	4–3000
Trilevel Custom	4–3000

Examples TRIGGER:A:VIDEO:LINE 23 sets the oscilloscope to trigger on the line 23.

TRIGGER:A:VIDEO:LINE ? might return :TRIGger:A:VIDeo:LINE 10 indicating that the oscilloscope is set to trigger on line 10.

TRIGger:A:VIDeo:POLarity

This command sets the polarity to use for triggering on video signals.

Group	Trigger
Syntax	TRIGger:A:VIDeo:POLarity {NEGative POSitive} TRIGger:A:VIDeo:POLarity?
Arguments	POSitive argument sets the oscilloscope to trigger on a positive video sync pulse. NEGative argument sets the oscilloscope to trigger on a negative video sync pulse.
Examples	TRIGGER:A:VIDEO:POLARITY NEGATIVE sets the oscilloscope to trigger on a negative video pulse. TRIGGER:A:VIDEO:POLARITY? might return :TRIGger:A:VIDeo:POLARITY POSITIVE indicating that the oscilloscope is set to trigger on a positive video sync pulse.

TRIGger:A:VIDeo:SOURce

This command sets the source channel to use for triggering on video signals (CH1–4 or D0–D15).

Group	Trigger
Syntax	TRIGger:A:VIDeo:SOURce {CH1 CH2 CH3 CH4 D0 D1 D2 D3 D4 D5 D6 D7 D8 D9 D10 D11 D12 D13 D14 D15} TRIGger:A:VIDeo:SOURce?
Arguments	CH1–CH4 or D0–D15 specifies the input channel to use as the A video trigger.
Examples	TRIGGER:A:VIDEO:SOURCE CH1 sets the source for A video trigger to Channel 1. TRIGGER:A:VIDEO:SOURCE? might return :TRIGger:A:VIDeo:SOURCE CH2 indicating that the source for the A video trigger is set to Channel 2.

TRIGger:A:VIDeo:STANdard

This command sets the standard to use for triggering on video signals.

Conditions This command requires a DPO4VID application module to use any argument besides NTSc, PAL, or SECAM.

Group Trigger

Syntax TRIGger:A:VIDeo:STANdard {NTSc|PAL|SECAM|BIlevelcustom|TRILevelcustom|HD480P60|HD576P50|HD720P30|HD720P50|HD720P60|HD875I60|HD1080P24|HD1080SF24|HD1080I50|HD1080I60|HD1080P25|HD1080P30|HD1080P50|HD1080P60}

TRIGger:A:VIDeo:STANdard?

Related Commands [TRIGger:A:VIDeo:CUSTom{:FORMat}:TYPE}](#), [TRIGger:A:VIDeo:CUSTom:LINEPeriod](#), [TRIGger:A:VIDeo:CUSTom:SYNCInterval](#)

Arguments NTSc sets the oscilloscope to trigger on video signals that meet the NTSC 525/60/2:1 standard (a line rate of 525 lines per frame and a field rate of 60 Hz).

PAL sets the oscilloscope to trigger on video signals that meet the NTSC 625/50/2:1 standard (a line rate of 625 lines per frame and a field rate of 50 Hz).

SECAM sets the oscilloscope to trigger on video signals that meet the SECAM standard.

BIlevelcustom sets the oscilloscope to trigger on video horizontal scan rate parameters defined by the [TRIGger:A:VIDeo:CUSTom{:FORMat}:TYPE}](#), [TRIGger:A:VIDeo:CUSTom:LINEPeriod](#) and [TRIGger:A:VIDeo:CUSTom:SYNCInterval](#) commands. Requires installation of a DPO4VID application module.

TRILevelcustom sets the oscilloscope to trigger on video horizontal scan rate parameters defined by the [TRIGger:A:VIDeo:CUSTom{:FORMat}:TYPE}](#), [TRIGger:A:VIDeo:CUSTom:LINEPeriod](#) command. Requires installation of a DPO4VID application module.

HD480P60|HD576P50|HD720P30|HD720P50|HD720P60|HD875I60|HD1080P24|HD1080SF24|HD1080I50|HD1080I60|HD1080P25|HD1080P30|HD1080P50|HD1080P60 set the oscilloscope to trigger on an HDTV video signal that meets standards defined in the following table. Requires installation of a DPO4VID application module.

Table 2-49: Available HDTV formats

HDTV format	Description
480p60	525 lines (480 active), 640 or 704 x 480 pixel, progressive, 60 fps
576p50	EDTV with 625 lines (576 active), 1024 x 576 pixel, progressive, 50 fps
720p30	750 lines (720 active), 1280 x 720 pixel, progressive, 30 fps
720p50	750 lines (720 active), 1280 x 720 pixel, progressive, 50 fps
720p60	750 lines (720 active), 1280 x 720 pixel, progressive, 60 fps
875i60	875 active lines, interlaced, 60 fps
1080i50	1125 Lines (1080 active), 1920 x 1080 pixel, interlaced, 50 fps
1080i60	1125 lines (1080 active), 1920 x 1080 pixel, interlaced, 60 fps
1080p24	1125 lines (1080 active), 1920 x 1080 pixel, progressive, 24 fps
1080sF24	1125 lines (1080 active), 1920 x 1080 pixel, progressive (sF), 24 fps
1080p25	1125 lines (1080 active), 1920 x 1080 pixel, progressive, 25 fps
1080P30	1125 lines (1080 active), 1920 x 1080 pixel, progressive, 30 fps
1080P50	1125 lines (1080 active), 1920 x 1080 pixel, progressive, 50 fps
1080P60	1125 lines (1080 active), 1920 x 1080 pixel, progressive, 60 fps

Examples TRIGGER:A:VIDEO:STANDARD NTSC sets the oscilloscope to trigger on NTSC-standard video signals.

TRIGGER:A:VIDEO:STANDARD? might return :TRIGger:A:VIDeo:STANDARD NTSC indicating that the oscilloscope is set to trigger on an NTSC format.

TRIGger:A:VIDeo{:SYNC|:FIELD}

This command sets the video field to use for triggering on video signals (odd fields, even fields, all fields, all lines, numeric).

Group Trigger

Syntax	<pre>TRIGger:A:VIDeo{:SYNC :FIELD} {ODD EVEN ALLFields ALLLines NUMERIC} TRIGger:A:VIDeo{:SYNC :FIELD}?</pre>
Arguments	<p>ODD argument sets the oscilloscope to trigger on interlaced video odd fields.</p> <p>EVEN argument sets the oscilloscope to trigger on interlaced video even fields.</p> <p>ALLFields argument sets the oscilloscope to trigger on all fields.</p> <p>ALLLines argument sets the oscilloscope to trigger on all video lines.</p> <p>NUMERIC argument sets the oscilloscope to trigger on the video signal line specified by the TRIGger:A:VIDeo:LINE command.</p>
Examples	<p>TRIGGER:A:VIDEO:FIELD EVEN sets the A video trigger so that it will trigger on even fields.</p> <p>TRIGGER:A:VIDEO:FIELD? might return :TRIGGER:A:VIDEO:FIELD ALLFIELDS indicating that the A video will trigger on all video fields.</p>

TRIGger:B

Sets the B trigger level to 50% of minimum and maximum. The query form of this command returns the B trigger parameters. This command is similar to selecting B Event (Delayed) Trigger Setup from the Trig menu and then viewing the current setups.

Group	Trigger
Syntax	<pre>TRIGger:B SETLevel TRIGger:B?</pre>
Related Commands	TRIGger:A
Arguments	SETLevel sets the B trigger level to 50% of MIN and MAX.
Examples	<p>TRIGGER:B SETLEVEL sets the B trigger level to 50% of MIN and MAX.</p> <p>TRIGGER:B? might return the following B trigger parameters: :TRIGGER:B:STATE 0;TYPE EDGE; LEVEL -220.0000E-3;BY TIME;EDGE:SOURCE CH1;SLOPE RISE;COUPLING DC; :TRIGGER:B:TIME 16.0000E-9;EVENTS:COUNT 2</p>

TRIGger:B:BY

Selects or returns whether the B trigger occurs after a specified number of events or a specified period of time after the A trigger.

Group Trigger

Syntax TRIGger:B:BY {EVENTS|TIME}
TRIGger:B:BY?

Related Commands [TRIGger:B:EVENTS:COUNT](#), [TRIGger:B:TIME](#), ,

Arguments EVENTS sets the B trigger to take place following a set number of trigger events after the A trigger occurs. The number of events is specified by TRIGger:B:EVENTS:COUNT.

TIME sets the B trigger to occur a set time after the A trigger event. The time period is specified by TRIGger:B:TIME.

Examples TRIGGER:B:BY TIME sets the B trigger to occur at a set time after the A trigger event.

TRIGGER:B:BY? might return :TRIGGER:B:BY EVENTS indicating that the B trigger takes place following a set number of trigger events after the A trigger occurs.

TRIGger:B:EDGE? (Query Only)

Returns the source, slope, and coupling for B trigger.

Group Trigger

Syntax TRIGger:B:EDGE?

Related Commands [TRIGger:B:EDGE:COUPLing](#),
[TRIGger:B:EDGE:SLOpe](#),
[TRIGger:B:EDGE:SOUrce](#)

Examples TRIGGER:B:EDGE? might return :TRIGGER:B:EDGE:SOURCE CH1; SLOPE RISE;COUPLING DC

TRIGger:B:EDGE:COUPling

This command specifies the type of coupling for the B trigger.

Group Trigger

Syntax TRIGger:B:EDGE:COUPling {DC|HFRej|LFRej|NOISerej}
TRIGger:B:EDGE:COUPling?

Related Commands [TRIGger:B:EDGE?](#)

Arguments DC selects DC trigger coupling.
HFRej selects high-frequency reject coupling.
LFRej selects low-frequency reject coupling.
NOISerej selects DC low sensitivity.

Examples TRIGGER:B:EDGE:COUPLING DC selects DC for the B trigger coupling.
TRIGGER:B:EDGE:COUPLING? might return :TRIGGER:B:EDGE:COUPLING
ATRIGGER for the B trigger coupling.

TRIGger:B:EDGE:SLOpe

This command specifies the slope for the B trigger.

Group Trigger

Syntax TRIGger:B:EDGE:SLOpe {RISe|FALL}
TRIGger:B:EDGE:SLOpe?

Related Commands [TRIGger:B:EDGE?](#)

Arguments RISe triggers on the rising or positive edge of a signal.
FALL triggers on the falling or negative edge of a signal.

Examples TRIGGER:B:EDGE:SLOPE FALL sets the B edge trigger to occur on the falling slope.

TRIGGER:B:EDGE:SLOPE? might return :TRIGGER:B:EDGE:SLOPE RISE indicating that the B edge trigger occurs on the rising slope.

TRIGger:B:EDGE:SOURce

This command specifies the source for the B trigger.

Group Trigger

Syntax TRIGger:B:EDGE:SOURce {CH1|CH2|CH3|CH4|EXT|LINE|RF}
TRIGger:B:EDGE:SOURce?

Related Commands [TRIGger:B:EDGE?](#)

Arguments CH1–4 specifies an analog channel as the B trigger source.

EXT specifies an external trigger (using the Aux In connector, located on the front panel of the oscilloscope) as the B trigger source. (For MSO/DPO 4000B series models only.)

LINE specifies the power line as the B trigger source.

RF specifies to use the internal RF power level as the source. (MDO models only. Also requires installation of an MDO4TRIG application module.)

Examples TRIGGER:B:EDGE:SOURCE CH4 sets channel 4 as the input source for the B trigger.

TRIGGER:B:EDGE:SOURCE? might return :TRIGGER:B:EDGE:SOURCE CH1 indicating that the current input source for the B trigger is channel 1.

TRIGger:B:EVENTS? (Query Only)

Returns the current B trigger events parameter.

Group Trigger

Syntax TRIGger:B:EVENTS?

Related Commands [TRIGger:B:EVENTS:COUNT](#)

Examples TRIGGER:B:EVENTS? might return
 :TRIGGER:B:EVENTS:COUNT 2
 indicating that 2 events must occur before the B trigger occurs.

TRIGger:B:EVENTS:COUNT

This command specifies the number of events that must occur before the B trigger (when TRIG:DELay:BY is set to EVENTS).

Group Trigger

Syntax TRIGger:B:EVENTS:COUNT <NR1>
 TRIGger:B:EVENTS:COUNT?

Related Commands [TRIGger:B:EVENTS?](#)

Arguments <NR1> is the number of B trigger events, which can range from 1 to 10,000,000.

Examples TRIGGER:B:EVENTS:COUNT 4 specifies that the B trigger will occur four trigger events after the A trigger.

TRIGGER:B:EVENTS:COUNT? might return :TRIGGER:B:EVENTS:COUNT 2 indicating that two events must occur after the A trigger before the B trigger can occur.

TRIGger:B:LEVEl

This command specifies the level for the B trigger.

Group Trigger

Syntax TRIGger:B:LEVEl {TTL|<NR3>}
 TRIGger:B:LEVEl?

Related Commands [TRIGger:B](#), [TRIGger:B:EDGE:SOUrce](#)

Arguments TTL specifies a preset TTL high level of 1.4 V.
 <NR3> is a floating point number that specifies the B trigger level, in volts.

Examples TRIGGER:B:LEVEL TTL sets the B trigger level to 1.4 V.
 TRIGGER:B:LEVEL? might return :TRIGGER:B:LEVEL 173.0000E-03 indicating that the B trigger level is currently set at 173 mV.

TRIGger:B:LEVel:CH<x>

This command specifies the B trigger level for channel <x>, where x is the channel number. Each Channel can have an independent Level.

Group Trigger

Syntax TRIGger:B:LEVel:CH<x> {ECL|TTL|<NR3>}
 TRIGger:B:LEVel:CH<x>?

Arguments ECL specifies a preset ECL high level of -1.3V.
 TTL specifies a preset TTL high level of 1.4V.
 <NR3> is a floating point number that specifies the trigger level in user units (usually volts).

Examples TRIGGER:B:LEVEL:CH2? might return :TRIGGER:B:LEVEL:CH2 1.3000E+00 indicating that the B edge trigger is set to 1.3 V for channel 2.
 TRIGGER:B:LEVEL:CH3 TTL sets the B edge trigger to TTL high level for channel 3.

TRIGger:B:LEVel:D<x>

This command specifies the B trigger level for digital channel <x>, where x is the channel number. Each channel can have an independent level.

Group Trigger

Syntax TRIGger:B:LEVel:D<x> {ECL|TTL|<NR3>}
 TRIGger:B:LEVel:D<x>?

Arguments ECL specifies a preset ECL high level of -1.3V.
 TTL specifies a preset TTL high level of 1.4V.

<NR3> is a floating point number that specifies the trigger level in user units (usually volts).

TRIGger:B:LOWerthreshold:CH<x>

This command specifies the B trigger lower threshold for the channel <x>, where x is the channel number. Each channel can have an independent level. Used in runt and transition triggers as the lower threshold. Used for all other trigger types as the single level/threshold.

Group	Trigger
Syntax	TRIGger:B:LOWerthreshold:CH<x> {ECL TTL <NR3>} TRIGger:B:LOWerthreshold:CH<x>?
Arguments	ECL specifies a preset ECL high level of -1.3V. TTL specifies a preset TTL high level of 1.4V. <NR3> is a floating point number that specifies the threshold level, in volts.

TRIGger:B:LOWerthreshold:D<x>

Sets or queries the lower threshold for the digital channel selected. Each channel can have an independent level. Used in runt and transition triggers as the lower threshold. Used for all other trigger types as the single level/threshold.

Group	Trigger
Syntax	TRIGger:B:LOWerthreshold:D<x> {<NR3> ECL TTL} TRIGger:B:LOWerthreshold:D<x>?
Arguments	<NR3> is a floating point number that specifies the threshold in volts. ECL specifies a preset ECL high level of -1.3V. TTL specifies a preset TTL high level of 1.4V.
Examples	TRIGGER:B:LOWERTHRESHOLD:D1? might return TRIGGER:B:LOWERTHRESHOLD:D1 1.4000 indicating the threshold is set to 1.4 volts.

TRIGger:B:STATE

This command specifies the state of B trigger activity. If the B trigger state is on, the B trigger is part of the triggering sequence. If the B trigger state is off, then only the A trigger causes the trigger event.

Group Trigger

Syntax TRIGger:B:STATE {ON|OFF|<NR1>}
TRIGger:B:STATE?

Related Commands [TRIGger:A:MODE](#)

Arguments ON specifies that the B trigger is active and in causes trigger events conjunction with the A trigger.

OFF specifies that only the A trigger causes trigger events.

<NR1> a 0 turns off the B trigger; any other value activates the B trigger.

Examples TRIGGER:B:STATE ON sets the B trigger to active, making it capable of causing trigger events.

TRIGGER:B:STATE? might return :TRIGGER:B:STATE 0 indicating that the B trigger is inactive and that only the A trigger causes trigger events.

TRIGger:B:TIME

This command specifies B trigger delay time. The B Trigger time applies only if TRIGger:B:BY is set to TIME.

Group Trigger

Syntax TRIGger:B:TIME <NR3>
TRIGger:B:TIME?

Related Commands [TRIGger:B:BY](#), [TRIGger:B:EVENTS:COUNt](#)

Arguments <NR3> is a floating point number that specifies the B trigger delay time in seconds.

Examples TRIGGER:B:TIME 4E-6 sets the B trigger delay time to 4 μ s.
TRIGGER:B:TIME? might return :TRIGGER:B:TIME 16.0000E-9 indicating that the B trigger time is set to 16 ns.

TRIGger:B:TYPe

This command specifies the type of B trigger. The only supported B trigger type is EDGE.

Group Trigger

Syntax TRIGger:B:TYPe EDGE
TRIGger:B:TYPe?

Related Commands [TRIGger:A:TYPe](#)

Arguments EDGE sets the B trigger type to edge.

Examples TRIGGER:B:TYPE EDGE sets the B trigger type to edge.
TRIGGER:B:TYPE? might return:TRIGGER:B:TYPE EDGE.

TRIGger:EXTErnal? (Query Only)

Returns all external trigger parameters.

Group Trigger

Syntax TRIGger:EXTErnal?

TRIGger:EXTErnal:PRObe

This command specifies the attenuation factor value of the external probe connector.

Group Trigger

Syntax TRIGger:EXTErnal:PRObe <NR3>
TRIGger:EXTErnal:PRObe?

Arguments <NR3> is a floating point number that specifies the attenuation factor of the probe.

Examples TRIGGER:EXTERNAL:PROBE? might return :TRIGGER:EXTERNAL:PROBE
1.0E1 for a 10X probe.

TRIGger:EXTErnal:YUNIts? (Query Only)

Returns the external trigger vertical (Y) units value.

Group Trigger

Syntax TRIGger:EXTErnal:YUNIts?

Examples TRIGGER:EXTERNAL:YUNITS? might return TRIGGER:EXTERNAL:YUNITS
“V” if the vertical unit is volts.

TRIGger:FREQuency? (Query Only)

Returns the trigger frequency in hertz if available. If the trigger frequency is not currently available, the IEEE Not A Number (NaN = 99.10E+36) value is returned. The maximum precision of the returned frequency is 12 digits.

Group Trigger

Syntax TRIGger:FREQuency?

Examples TRIGGER:FREQUENCY? might return TRIGGER:FREQUENCY 99.10+36
indicating that the trigger frequency is not available.

TRIGger:STATE? (Query Only)

Returns the current state of the triggering system.

Group Trigger

Syntax TRIGger:STATE?

Related Commands [TRIGger:A:MODE](#)

Returns ARMED indicates that the oscilloscope is acquiring pretrigger information.

AUTO indicates that the oscilloscope is in the automatic mode and acquires data even in the absence of a trigger.

READY indicates that all pretrigger information has been acquired and that the oscilloscope is ready to accept a trigger.

SAVE indicates that the oscilloscope is in save mode and is not acquiring data.

TRIGGER indicates that the oscilloscope triggered and is acquiring the post trigger information.

Examples TRIGGER:STATE? might return :TRIGGER:STATE ARMED indicating that the pretrigger data is being acquired.

*TST? (Query Only)

Tests (self-test) the interface and returns a 0.

Group Miscellaneous

Syntax *TST?

Examples *TST? always returns 0.

UNLock (No Query Form)

Unlocks the front panel. The command is equivalent to LOCK NONE.

Group Miscellaneous

Syntax UNLock ALL

Related Commands [LOCK](#)

Arguments ALL specifies that all front-panel buttons and knobs are unlocked.

Examples UNLOCK ALL unlocks all front-panel buttons and knobs.

USBDevice:CONFigure

Enables or disables the rear USB port for use with Pictbridge printers.

Group PictBridge

Syntax USBDevice:CONFigure {DISAbled|IMAge|USBTmc}
USBDevice:CONFigure?

Arguments DISAbled disables the rear USB port.
IMAge enables the rear USB port as an SIC device.
USBTmc enables the rear USB port as a USBTMC device.

Examples USBDEVICE:CONFIGURE IMAGE enables the rear USB port as an SIC device
USBDEVICE:CONFIGURE ? might return USBDEVICE:CONFIGURE USBT
indicating a USBTMC device.

USBTMC? (Query Only)

Returns the USBTMC information used by the USB hosts to determine the instrument interfaces.

Group Miscellaneous

Syntax USBTMC?

USBTMC:PRODUCTID:DECimal? (Query Only)

This query returns the product ID number as a decimal. The product ID numbers vary for each instrument family and model. USBTMC stands for USB Test & Measurement Class, a protocol that allows GPIB-like communication with USB devices.

Group Miscellaneous

Syntax USBTMC:PRODUCTID:DECimal?

Related Commands [USBTMC:VENDORID:HEXadecimal?](#)
[USBTMC:VENDORID:DECimal?](#)
[USBTMC:PRODUCTID:HEXadecimal?](#)
[USBTMC:SERIALnumber?](#)

Examples USBTMC:PRODUCTID:DECimal? might return a product ID value of 1033.

USBTMC:PRODUCTID:HEXadecimal? (Query Only)

This query returns the product ID number as a hexadecimal value. The product ID numbers vary for each instrument family and model. USBTMC stands for USB Test & Measurement Class, a protocol that allows GPIB-like communication with USB devices.

Group Miscellaneous

Syntax USBTMC:PRODUCTID:HEXadecimal?

Related Commands [USBTMC:VENDORID:HEXadecimal?](#)
[USBTMC:VENDORID:DECimal?](#)
[USBTMC:PRODUCTID:DECimal?](#)
[USBTMC:SERIALnumber?](#)

Examples USBTMC:PRODUCTID:HEXadecimal? might return a product ID value of 0x0409.

USBTMC:SERIALnumber? (Query Only)

This query returns the serial number of the oscilloscope. USBTMC stands for USB Test & Measurement Class, a protocol that allows GPIB-like communication with USB devices.

Group Miscellaneous

Syntax USBTMC:SERIALnumber?

Related Commands [USBTMC:VENDORID:HEXadecimal?](#)
[USBTMC:VENDORID:DECimal?](#)
[USBTMC:PRODUCTID:DECimal?](#)
[USBTMC:PRODUCTID:HEXadecimal?](#)

Examples USBTMC:SERIALnumber? might return a serial number value of WAY004.

USBTMC:VENDORID:DECimal? (Query Only)

This query returns the vendor ID number as a decimal. The decimal vendor ID for Tektronix instruments is 1689. USBTMC stands for USB Test & Measurement Class, a protocol that allows GPIB-like communication with USB devices.

Group Miscellaneous

Syntax USBTMC:VENDORID:DECimal?

Related Commands [USBTMC:VENDORID:HEXadecimal?](#)
[USBTMC:PRODUCTID:HEXadecimal?](#)
[USBTMC:PRODUCTID:DECimal?](#)
[USBTMC:SERIALnumber?](#)

Examples USBTMC:VENDORID:DECimal? might return a vendor ID value of 1689.

USBTMC:VENDORID:HEXadecimal? (Query Only)

This query returns the vendor ID number as a hexadecimal value. The hexadecimal vendor ID for Tektronix instruments is 0x699. USBTMC stands for USB Test & Measurement Class, a protocol that allows GPIB-like communication with USB devices.

Group Miscellaneous

Syntax USBTMC:VENDORID:HEXadecimal?

Related Commands [USBTMC:PRODUCTID:HEXadecimal?](#)
[USBTMC:VENDORID:DECimal?](#)
[USBTMC:PRODUCTID:DECimal?](#)
[USBTMC:SERIALnumber?](#)

Examples USBTMC:VENDORID:HEXadecimal? might return a vendor ID value of 0x0699.

VERBose

This command specifies the Verbose state that controls the length of keywords on query responses. Keywords can be both headers and arguments.

NOTE. *This command does not affect IEEE Std 488.2-1987 Common Commands (those starting with an asterisk). This command does affect the verbose state of both the USBTMC and VXI-11 interfaces. Refer to the Introduction for information.*

Group Miscellaneous

Syntax VERBose {OFF|ON|<NR1>}

Related Commands [HEADer|:HDR,](#)
[*LRN?,](#)
[SET?](#)

Arguments OFF sets the Verbose state to false, which returns minimum-length keywords for applicable setting queries.

ON sets the Verbose state to true, which returns full-length keywords for applicable setting queries.

<NR1> a 0 returns minimum-length keywords for applicable setting queries; any other value returns full-length keywords.

Examples VERBOSE ON enables the Verbose state.

VERBOSE ? might return :VERB 0 indicating that the Verbose state is disabled.

*WAI (No Query Form)

Prevents the oscilloscope from executing further commands or queries until all pending commands that generate an OPC message are complete. This command allows you to synchronize the operation of the oscilloscope with your application program. (See page 3-7, *Synchronization Methods*.)

The *WAI command will stop execution until certain oscilloscope operations are complete. (See Table 3-3 on page 3-8.)

Group	Status and Error
Syntax	*WAI
Related Commands	BUSY? , *OPC
Examples	*WAI prevents the oscilloscope from executing any further commands or queries until all pending commands that generate an OPC message are complete.

WAVFrm? (Query Only)

This query returns the waveform preamble and the waveform data for the source waveform specified by the DATA:SOURCE command. This command is equivalent to sending both WFMOutpre? and CURVe?, with the additional provision that the response to WAVFrm? is guaranteed to provide a synchronized preamble and curve. The source waveform, as specified by DATA:SOURCE, must be active or the query will not return any data and will generate an error event.

(See page 2-85, *Waveform Transfer Command Group*.)

(See page D-1, *Waveform Transfer (WFMOutpre and CURVe Query) Examples*.)

Group	Waveform Transfer
Syntax	WAVFrm?
Related Commands	CURVe , DATA:SOURce , WFMOutpre?

Examples WAVFRM? might return the waveform data as: :WFMOUTPRE:BYT_NR 1;BIT_NR 8;ENCDG ASCII;BN_FMT RI;BYT_OR MSB;WFID "Ch1, DC coupling, 100.0mV/div, 4.000us/div, 10000 points, Sample mode";NR_PT 20;PT_FMT Y;XUNIT "s";XINCR 4.0000E-9;XZERO -20.0000E-6;PT_OFF 0;YUNIT "V";YMULT 4.0000E-3;YOFF 0.0000;YZERO 0.0000;:CURVe 2,1,4,2,4,3,0,3,3,3,3,3,3,3,4,3,5,6,6,7,3

For binary encodings, WAVFRM? might return the waveform data as:
:WFMOUTPRE:BYT_NR 1;BIT_NR 8;ENCDG BINARY;BN_FMT RI;BYT_OR MSB;WFID "Ch1, DC coupling, 100.0mV/div, 4.000us/div, 10000 points, Sample mode";NR_PT 10000;PT_FMT Y;XUNIT "s";XINCR 4.0000E-9;XZERO -20.0000E-6;PT_OFF 0;YUNIT "V";YMULT 4.0000E-3;YOFF 0.0000;YZERO 0.0000;:CURVe #510000<10,000 binary data bytes>

WFMInpre? (Query Only)

Returns the waveform formatting and scaling specifications to be applied to the next incoming CURVe command data.

(See page 2-85, *Waveform Transfer Command Group*.)

Group Waveform Transfer

Syntax WFMInpre?

Related Commands [WFMOutpre?](#)

Examples WFMINPRE? might return the waveform formatting as :WFMINPRE:BIT_NR 8;BN_FMT RI;BYT_NR 1; BYT_OR MSB;ENCDG BIN;NR_PT 500;PT_FMT Y; PT_OFF 0;XINCR 2.0000E-6;XZERO 1.7536E-6; XUNIT "s";YMULT 1.0000E-3;YOFF 0.0000; YZERO 0.0000;YUNIT "V"

WFMInpre:BIT_Nr

This command specifies the number of bits per data point in the waveform data to be sent to the oscilloscope using the CURVe command. Changing this value also changes the value of [WFMInpre:BYT_Nr](#).

(See page 2-85, *Waveform Transfer Command Group*.)

NOTE. The `WFMinpre:BYT_Nr` and `WFMinpre:BIT_Nr` settings are directly related; setting one causes the other to be set accordingly. For example, `WFMinpre:BYT_Nr 2` causes `WFMinpre_BIT_Nr` to be set to 16 (2 * 8 bits/byte). Similarly, setting `WFMinpre:BIT_Nr` to 16 causes `WFMinpre:BYT_Nr` to be set to 2.

Group	Waveform Transfer
Syntax	<code>WFMinpre:BIT_Nr <NR1></code> <code>WFMinpre:BIT_Nr?</code>
Related Commands	WFMinpre:BYT_Nr
Arguments	<NR1> number of bits per data point can be 8 , 16, 32 or 64.
Examples	<code>WFMINPRE:BIT_NR 16</code> sets the number of bits per waveform point to 16, for incoming data. <code>WFMINPRE:BIT_NR?</code> might return <code>:WFMINPRE:BIT_NR 8</code> indicating that incoming waveform data uses 8 bits per waveform point.

WFMinpre:BN_Fmt

This command specifies the format of the data for outgoing waveforms when `WFMinpre:ENCdg` is set to `BINARY`. The format can either be `RI` (signed integer), `RP` (positive integer) or `FP` (floating point).

(See page 2-85, *Waveform Transfer Command Group*.)

Group	Waveform Transfer
Syntax	<code>WFMinpre:BN_Fmt {RI RP FP}</code> <code>WFMinpre:BN_Fmt?</code>
Related Commands	WFMOutpre:BN_Fmt WFMinpre:ENCdg
Arguments	<code>RI</code> specifies signed integer data point representation. <code>RP</code> specifies positive integer data point representation.

FP specifies floating point data representation.

Examples `WFMINPRE:BN_FMT RP` specifies positive integer data point representation.

`WFMINPRE:BN_FMT?` might return `:WFMINPRE:BN_FMT RI` indicating that the incoming data is currently interpreted as signed integers.

WFMinpre:BYT_Nr

This command specifies the number of bytes per data point in the waveform data to be sent to the oscilloscope using the `CURVE` command. Changing this value also changes the value of [WFMinpre:BIT_Nr](#).

(See page 2-85, *Waveform Transfer Command Group*.)

NOTE. *The `WFMinpre:BYT_Nr` and `WFMinpre:BIT_Nr` settings are directly related; setting one causes the other to be set accordingly. For example, `WFMinpre:BYT_Nr 2` causes `WFMinpre:BIT_Nr` to be set to 16 (2 * 8 bits/byte). Similarly, setting `WFMinpre:BIT_Nr` to 16 causes `WFMinpre:BYT_Nr` to be set to 2.*

Group Waveform Transfer

Syntax `WFMinpre:BYT_Nr <NR1>`
`WFMinpre:BYT_Nr?`

Related Commands [WFMinpre:BIT_Nr](#)

Arguments `<NR1>` is the number of bytes per data point. The number of bytes can be 1 or 2 for Analog, Math or the digital channels D0 – D15. It can be 4 or 8 for DIGital collection data. It must be 4 for frequency domain trace data.

Examples `WFMINPRE:BYT_NR 1` sets the number of bytes per incoming waveform data point to 1, which is the default setting.

`WFMINPRE:BYT_NR?` might return `:WFMINPRE:BYT_NR 2` indicating that there are 2 bytes per incoming waveform data point.

WFMinpre:BYT_Or

This command specifies which byte of incoming binary waveform data is transmitted first (the byte order). The byte order can either be MSB (most

significant byte first) or LSB (least significant byte first, also known as IBM format). This specification only has meaning when [WFMinpre:ENCdg](#) is set to BINary and [WFMinpre:BYT_Nr](#) is 2.

(See page 2-85, *Waveform Transfer Command Group*.)

Group	Waveform Transfer
Syntax	<code>WFMinpre:BYT_Or {LSB MSB}</code> <code>WFMinpre:BYT_Or?</code>
Related Commands	WFMinpre:ENCdg , WFMinpre:BYT_Nr , WFMinpre:BYT_Or
Arguments	LSB specifies that the least significant byte will be expected first. MSB specifies that the most significant byte will be expected first.
Examples	<code>WFMINPRE:BYT_OR MSB</code> sets the most significant incoming byte of incoming waveform data to be expected first. <code>WFMINPRE:BYT_OR?</code> might return <code>:WFMINPRE:BYT_OR LSB</code> indicating that the least significant incoming CURve data byte will be expected first.

WFMinpre:CENTERFREQuency

This command specifies the center frequency of the incoming RF trace (waveform), in Hertz. The center frequency is a precise frequency at the center of the frequency domain display. In many applications, it is a carrier frequency.

Conditions	MDO models only.
Group	Waveform Transfer
Syntax	<code>WFMinpre:CENTERFREQuency <NR3></code> <code>WFMinpre:CENTERFREQuency?</code>
Arguments	<NR3> is a floating point number.

Examples `WFMinpre:CENTERFREQUENCY 3.0E+09` sets the center frequency to 3 GHz.
`WFMinpre:CENTERFREQUENCY?` might return `3.0E+09`, indicating that the center frequency has been set to 3 GHz.

WFMinpre:DOMain

This command specifies whether the information being sent to a reference location should be treated as integer (time domain) information, or floating point (frequency domain) information, for the purposes of storing the data internally. The default is `TIME`. This parameter should be set before using the `CURVE` command to transfer a waveform from a PC to an internal reference location.

Conditions The `FREQUENCY` argument is only supported on Tektronix MDO4000 Series models. Attempts to set the domain to frequency on non-MDO models are ignored.

Group Waveform Transfer

Syntax `WFMinpre:DOMain {TIME|FREQUENCY}`
`WFMinpre:DOMain?`

Related Commands [WFMinpre:WFMTYPE](#)

Arguments `TIME` specifies to treat the information to be transferred as integer values.
`FREQUENCY` specifies to treat the information to be transferred as floating point values.

Examples `WFMinpre:DOMain FREQUENCY` specifies to treat the information to be transferred from a PC to a reference location as floating point values.
`WFMinpre:DOMain?` might return `TIME`, indicating that the information is being treated as integer values (time domain).

WFMinpre:ENCdg

This command specifies the type of encoding of the incoming waveform data to be sent to the oscilloscope using the `CURVE` command. Supported types are `BINARY` and `ASCII`.

(See page 2-85, *Waveform Transfer Command Group*.)

Group	Waveform Transfer
Syntax	WFMinpre:ENCdg {ASCIi BINary} WFMinpre:ENCdg?
Related Commands	WFMOutpre:ENCdg
Arguments	ASCIi specifies that the incoming data is in ASCII format. BINary specifies that the incoming data is in a binary format whose further interpretation requires knowledge of BYT_NR, BIT_NR, BN_FMT, and BYT_OR.
Examples	WFMINPRE:ENCDG ASC sets the format of incoming waveform data to ASCII format. WFMINPRE:ENCDG ? might return :WFMINPRE:ENCDG BIN indicating that the incoming waveform data is in binary format.

WFMinpre:NR_Pt

This command specifies the number of data points that are in the incoming waveform record to be sent to the oscilloscope using the CURVe command.

(See page 2-85, *Waveform Transfer Command Group*.)

Group	Waveform Transfer
Syntax	WFMinpre:NR_Pt <NR1> WFMinpre:NR_Pt?
Related Commands	CURVe , DATAa , DATAa:STARTt , DATAa:STOPt , SAVE:WAVEform , SAVE:WAVEform:FILEFormat , WFMOutpre:NR_Pt?

Arguments <NR1> is the number of data points if WFMInpre:PT_Fmt is set to Y. It is the number of min-max pairs if WFMInpre:PT_Fmt is set to ENV.

Examples WFMINPRE:NR_PT 10000 specifies that 10000 data points will be expected.
 WFMINPRE:NR_PT ? might return :WFMINPRE:NR_PT 10000 indicating that there are 10000 data points in the expected incoming waveform record.

WFMInpre:PT_Fmt

This command specifies the acquisition format of the data points to be sent to the oscilloscope using the CURVE command. This can be Y for YT format, or ENV for envelope mode (min/max pairs). For YT format, each data value represents a single waveform data point. For envelope format, each data point represents a min/max pair, where the minimum value precedes the maximum value.

(See page 2-85, *Waveform Transfer Command Group*.)

Group Waveform Transfer

Syntax WFMInpre:PT_Fmt {ENV|Y}
 WFMInpre:PT_Fmt?

Related Commands [WFMOutpre:PT_Fmt?](#)

Arguments ENV specifies that the waveform is to be transmitted in envelope mode as minimum and maximum point pairs. Only Y values are explicitly transmitted. Absolute coordinates are given by:

$$X_n = XZero + XINcr (n - PT_Off)$$

$$Y_{nmax} = YZero + YMUlt (ynmax - YOFf)$$

$$Y_{nmin} = YZero + YMUlt (ynmin - YOFf)$$

Y specifies a normal waveform where one ASCII or binary data point is transmitted for each point in the waveform record. Only Y values are explicitly transmitted. Absolute coordinates are given by:

$$X_n = XZero + XINcr (n - PT_Off)$$

$$Y_n = YZero + YMUlt (yn - YOFf)$$

Examples WFMINPRE:PT_FMT ENV sets the incoming waveform data point format to enveloped.

WFMINPRE:PT_FMT? might return :WFMINPRE:PT_FMT ENV indicating that the waveform is transmitted as minimum and maximum point pairs.

WFMinpre:PT_Off

The set form of this command is ignored. The query form always returns a 0. (This command is listed for compatibility with other Tektronix oscilloscopes.)

(See page 2-85, *Waveform Transfer Command Group*.)

Group	Waveform Transfer
Syntax	WFMinpre:PT_Off <NR1> WFMinpre:PT_Off?

Arguments Arguments are ignored.

WFMinpre:REFLevel

This command specifies the Reference Level of the incoming waveform. This command applies only to frequency domain waveforms. The Reference Level is adjustable from 10 pico Watts (-140dBm) to 1 Watt (+30dBm).

Conditions	MDO models only.
Group	Waveform Transfer
Syntax	WFMinpre:REFLevel <NR3> WFMinpre:REFLevel?

Arguments <NR3> is a floating point number that specifies the Reference Level of the incoming waveform, in Watts.

Examples WFMinpre:REFLevel 1E-3 sets the reference level to 1 mW.
WFMinpre:REFLevel? might return 1.0000E-3, indicating a Reference Level of 1 mW.

WFMInpre:SPAN

This command specifies the frequency span of the incoming RF trace. The span is the range of frequencies that can be observed around the center frequency. It can range from 1 KHz to 6 GHz.

Conditions MDO models only.

Group Waveform Transfer

Syntax WFMInpre:SPAN <NR3>
WFMInpre:SPAN?

Arguments <NR3> is a floating point number that can range from 1 KHz to 6 GHz.

Examples WFMInpre:SPAN 500.0E+6 sets the span to 500 MHz.

WFMInpre:SPAN? might return 500.0E+6, indicating that the span has been set to 500 MHz.

WFMInpre:WFMTYPE

This command specifies the type of waveform that is being transferred to the oscilloscope for storage in one of the REF1 — REF4 memory locations. The waveform type possibilities are the ANALOG, the RF time domain waveforms (RF_TD), or the RF frequency domain waveforms (RF_FD). The default is ANALOG. This parameter should be set before using the CURVE command to transfer a waveform from a PC to an internal reference location.

The type of waveform that is being transferred in turn determines which window will display it on the instrument screen: the time domain window or frequency domain window. Both the analog and RF-TD arguments specify the time domain window; the RF_FD argument specifies the frequency domain window.

NOTE. *This command is not applicable for digital waveforms.*

Conditions The RF-FD and RF_TD type settings are supported on MDO4000 models only.

Group Waveform Transfer

Syntax WFMInpre:WFMTYPE {ANALOG|RF_TD|RF_FD}
WFMInpre:WFMTYPE?

Related Commands [WFMInpre:DOMain](#)

Arguments ANALOG — this type includes Channels 1–4 and the Math waveform, and specifies to display it in the time domain window.

RF_TD — this type includes the three RF time domain traces (RF Amplitude vs. Time, RF Frequency vs. Time, and RF Phase vs. Time) and specifies to display it in the time domain window.

RF_FD — this type includes the four RF frequency domain traces (RF Normal, RF Average, RF Max Hold, and RF Min Hold) and specifies to display it in the frequency domain window.

Examples WFMInpre:WFMTYPE RF_FD specifies the type of the incoming waveform as a frequency domain trace (to be displayed on the frequency domain window).

WFMInpre:WFMTYPE? might return ANALOG, indicating that the incoming waveform type is either Channel 1–4 or Math (to be displayed on the time domain window).

WFMInpre:XINcr

This command specifies the horizontal interval between incoming waveform points sent to the oscilloscope using the CURVE command. The units are time, in seconds, or frequency, in hertz, and can be specified or queried using the WFMInpre:XUNit command.

(See page 2-85, *Waveform Transfer Command Group*.)

Group Waveform Transfer

Syntax WFMInpre:XINcr <NR3>
WFMInpre:XINcr?

Related Commands [WFMInpre:XUNit](#),
[WFMOutpre:XINcr?](#)

Arguments <NR3> is a floating point number that specifies the horizontal interval representation.

Examples `WFMINPRE:XINCR 3E-3` sets the interval between incoming waveform points to 3 ms.

`WFMINPRE:XINCR ?` might return `:WFMINPRE:XINCR 1.0000E-3` indicating that if `WFMINpre:XUNit` is set to "s", there is a 1 ms interval between incoming waveform points.

WFMINpre:XUNit

This command specifies the horizontal units of the x-axis of the data points being sent to the oscilloscope using the `CURVE` command. This value can be in "s" for seconds, or "Hz".

(See page 2-85, *Waveform Transfer Command Group*.)

Group Waveform Transfer

Syntax `WFMINpre:XUNit <QString>`
`WFMINpre:XUNit?`

Related Commands [WFMOutpre:XUNit?](#)

Arguments `<QString>` contains the characters that represent the horizontal units for the incoming waveform.

Examples `WFMINPRE:XUNIT "HZ"` specifies that the horizontal units for the incoming waveform are hertz.

`WFMINPRE:XUNIT?` might return `:WFMINPRE:XUNIT "s"` indicating that the horizontal units for the incoming waveform are seconds.

WFMINpre:XZEro

This command specifies the position value of the first data point in the incoming waveform record being sent to the oscilloscope using the `CURVE` command. The units are determined or queried using the `WFMINpre:XUNit` command and are typically time, in seconds, or frequency, in hertz. This time or frequency is relative to the time or frequency of the trigger, which is always 0. Thus, the `XZEro` value can be negative.

(See page 2-85, *Waveform Transfer Command Group*.)

Group Waveform Transfer

Syntax	WFMinpre:XZero <NR3> WFMinpre:XZero?
Related Commands	WFMinpre:XINcr, WFMinpre:XUNit, WFMinpre:XZero?
Arguments	<NR3> is the floating point value of the position, in XUNits, of the first sample in the incoming waveform. If XUNits is “s”, <NR3> is the time of the first sample in the incoming waveform.
Examples	WFMINPRE:XZERO 5.7E-6, which indicates the trigger occurred 5.7 μs before the first sample in the waveform. WFMINPRE:XZERO? might return :WFMINPRE:XZERO -7.5000E-6 indicating that the trigger occurs 7.5 μs after the first sample in the waveform.

WFMinpre:YMUlt

This command specifies the vertical scale multiplying factor to be used to convert the incoming data point values being sent to the oscilloscope, from digitizing levels into the units specified by the `WFMinpre:YUNit` command. For one byte waveform data, there are 256 digitizing levels. For two byte waveform data there are 65,536 digitizing levels.

The `WFMinpre:YMUlt`, `WFMinpre:YOff`, and `WFMinpre:YZero` values are used to convert waveform record values to units specified using the `WFMinpre:YUNit` command (YUNit units). It uses the following formula (where `dl` means digitizing level; `curve_in_dl` is a data point value in the `CURVE` data):

$$\text{Value in YUNit units} = ((\text{curve_in_dl} - \text{YOff}) * \text{YMUlt}) + \text{YZero}$$

(See page 2-85, *Waveform Transfer Command Group*.)

NOTE. For a given waveform record, `YMUlt`, `YOff`, and `YZero` have to be a consistent set, otherwise vertical cursor readouts and vertical measurements may give incorrect results.

Group	Waveform Transfer
Syntax	WFMinpre:YMUlt <NR3> WFMinpre:YMUlt?

Related Commands	DATA:DESTination , WFMinpre:BYT_Nr , WFMinpre:YUNit
Arguments	<NR3> is a floating point number that specifies the vertical scale factor per digitizing level of the incoming waveform points.
Examples	<p>WFMINPRE:YMULT? might return :WFMINPRE:YMULT 40.0000E-3, which (if YUNit is "V") indicates that the vertical scale is 40 mV/digitizing level (1V/div for 8-bit data).</p> <p>WFMINPRE:YMULT 20E-3 specifies that (if WFMinpre:YUNit is "V" and WFMinpre:BYT_Nr is 1), the vertical scale is 20 mV/digitizing level (500 mV/div).</p>

WFMinpre:YOFF

This command specifies the vertical position of the destination reference waveform in digitizing levels. There are 25 digitizing levels per vertical division for 1-byte data, and 6400 digitizing levels per vertical division for 2-byte data. Variations in this number are analogous to changing the vertical position of the waveform.

The `WFMinpre:YMULT`, `WFMinpre:YOFF`, and `WFMinpre:YZERO` commands are used to convert waveform record values to units specified using the [WFMinpre:YUNit](#) command (YUNit units). It uses the following formula (where `dl` means digitizing levels, and `curve_in_dl` is a data point value in the `CURVE` data):

$$\text{Value in YUNit units} = ((\text{curve_in_dl} - \text{YOFF}) * \text{YMULT}) + \text{YZERO}$$

NOTE. For a given waveform record, `YMULT`, `YOFF`, and `YZERO` have to be a consistent set, otherwise vertical cursor readouts and vertical measurements may give incorrect results.

(See page 2-85, *Waveform Transfer Command Group*.)

Group	Waveform Transfer
Syntax	<code>WFMinpre:YOFF <NR3></code> <code>WFMinpre:YOFF?</code>
Related Commands	WFMinpre:BYT_Nr

[WFMinpre:YMUlt](#)

[WFMinpre:YOFF?](#)

Arguments <NR3> is a floating point number that specifies the vertical offset in digitizing levels.

Examples WFMINPRE:YOFF 50 specifies that the zero reference point for the incoming waveform is 50 digitizing levels (2 divisions, for 8-bit data; 0.0078125 division for 16-bit data) above the center of the graticule.

WFMINPRE:YOFF? might return :WFMINPRE:YOFF 25 indicating the vertical position of the incoming waveform is 25 digitizing levels.

WFMinpre:YUNit

This command specifies the vertical units of data points in the incoming waveform record sent to the oscilloscope using the CURVE command. This can be any of several string values, depending upon the vertical units of the waveform being sent.

Supported units are: %, /Hz, A, A/A, A/V, A/W, A/dB, A/s, AA, AW, AdB, As, B, Hz, IRE, S/s, V, V/A, V/V, V/W, V/dB, V/s, VV, VW, VdB, volts, Vs, W, W/A, W/V, W/W, W/dB, W/s, WA, WV, WW, WdB, Ws, dB, dB/A, dB/V, dB/W, dB/dB, dBA, dBV, dBW, dBdB, day, degrees, div, hr, min, ohms, percent, s

NOTE. (See page 2-85, Waveform Transfer Command Group.)

Group Waveform Transfer

Syntax WFMinpre:YUNit <QString>
WFMinpre:YUNit?

Related Commands [WFMinpre:YUNit?](#)

Arguments <QString> contains the characters that represent the vertical units for the incoming waveform.

Examples WFMINPRE:YUNIT? might return :WFMINPRE:YUNIT "V" indicating the vertical units for the incoming waveform are volts.

WFMINPRE:YUNIT "A" specifies that the vertical units for the incoming waveform are Amperes.

WFMINpre:YZero

This command specifies the vertical offset of the destination reference waveform in units specified by the WFMINpre:YUNit command. Variations in this number are analogous to changing the vertical offset of the waveform.

The WFMINpre:YMUlt, WFMINpre:YOFF, and WFMINpre:YZero commands are used to convert waveform record values to units specified using the WFMINpre:YUNit command (YUNit units). It uses the following formula (where dl means digitizing levels; curve_in_dl is a data point value in the CURve data):

$$\text{Value in YUNit units} = ((\text{curve_in_dl} - \text{YOFF}) * \text{YMUlt}) + \text{YZero}$$

NOTE. For a given waveform record, YMUlt, YOFF, and YZero have to be a consistent set, otherwise vertical cursor readouts and vertical measurements may give incorrect results.

(See page 2-85, Waveform Transfer Command Group.)

Group Waveform Transfer

Syntax WFMINpre:YZero <NR3>
WFMINpre:YZero?

Related Commands [WFMINpre:YUNit](#)
[WFMINpre:YZero](#)

Arguments <NR3> is a floating point number that specifies the offset in units specified by the WFMINpre:YUNit command (YUNits).

Examples WFMINPRE:YZERO 1.5E+0 specifies that the zero reference point for the incoming waveform is 1.5 V below the center of the data range (given that WFMINpre:YUNit is set to V).

WFMINPRE:YZERO? might return :WFMINPRE:YZero 7.5000E-6 indicating that the zero reference for the incoming waveform is 7.5 μV below the center of the data range (given that WFMINpre:YUNit is set to V).

WFMOupre? (Query Only)

This query returns the information needed to interpret the waveform data points returned by the CURVE? query. It returns the waveform transmission and formatting parameters for the waveform specified by the DATA:SOURce command. If the waveform specified by the DATA:SOURce command is not displayed, the oscilloscope returns only the waveform transmission parameters (BYT_Nr, BIT_Nr, ENCDg, BN_Fmt, BYT_Or) and sets an error event indicating that the source waveform is not turned on.

The Waveform Transfer command group text contains more comprehensive information. (See page 2-85, *Waveform Transfer Command Group*.)

(See page D-1, *Waveform Transfer (WFMOupre and CURVe Query) Examples*.)

NOTE. For command sequence examples, see Appendix D. (See page D-1, *Waveform Transfer (WFMOupre and CURVe Query) Examples*.)

Example 1: Analog Waveform (channel 1 - 4)

Example 2: Digital Waveform (channel DO-D15)

Example 3: The Digital Collection with 4 Bytes Per Point with MagniVu Off

Example 4: The Digital Collection with 8 Bytes Per Point with MagniVu Off

Example 5: The Digital Collection with 4 Bytes Per Point with MagniVu On

Example 6: The Digital Collection with 8 Bytes Per Point with MagniVu On

Example 7: RF Frequency Domain Waveform

Group Waveform Transfer

Syntax WFMOupre?

Examples WFMOUPRE? ? might return the waveform formatting data as:
:WFMOUPRE:BYT_NR 2;BIT_NR 16;ENCDG ASCII;BN_FMT RI;BYT_OR MSB;WFID "Ch1, DC coupling, 100.0mV/div, 4.000us/div, 10000 points, Sample mode";NR_PT 10000;PT_FMT Y;XUNIT "s";XINCR 4.0000E-9;XZERO - 20.0000E-6;PT_OFF 0;YUNIT "V";YMULT 15.6250E-6;YOFF : "6.4000E+3;YZERO 0.0000

WFMOupre:BIT_Nr

This command specifies the number of bits per data point in the outgoing waveform being transferred using the CURVE? query. Changing the value of

[WFMOupre:BIT_Nr](#) also changes the values of [WFMOupre:BYT_Nr](#) and [DATA:WIDth](#). The waveform is specified by the [DATA:SOUrce](#) command.

(See page 2-85, *Waveform Transfer Command Group*.)

(See page D-1, *Waveform Transfer (WFMOupre and CURVe Query) Examples*.)

NOTE. *The [WFMOupre:BYT_Nr](#) and [WFMOupre:BIT_Nr](#) settings are directly related; setting one causes the other to be set accordingly. For example, [WFMOupre:BYT_Nr 2](#) causes [WFMOupre:BIT_Nr](#) to be set to 16 (2 * 8 bits/byte). Similarly, setting [WFMOupre:BIT_Nr](#) to 16 causes [WFMOupre:BYT_Nr](#) to be set to 2.*

Group Waveform Transfer

Syntax [WFMOupre:BIT_Nr <NR1>](#)
[WFMOupre:BIT_Nr?](#)

Related Commands [DATA:SOUrce](#),
[DATA:WIDth](#),
[WFMOupre:BYT_Nr](#)

Arguments <NR1> is the number of bits per data point and can be 8, 16, 32 or 64.

Examples [WFMOUPRE:BIT_NR 16](#) sets the number of bits per waveform point to 16 for outgoing waveforms.

[WFMOUPRE:BIT_NR?](#) might return [:WFMOUPRE:BIT_NR 8](#) indicating that outgoing waveforms use 8 bits per waveform point.

WFMOupre:BN_Fmt

This command specifies the format of the binary data for outgoing waveforms when [WFMOupre:ENCdg](#) is set to [BINary](#). The format can be [RI](#) (signed integer) or [RP](#) (positive integer) for analog channels, and [FP](#) for RF frequency domain traces. Changing the value of [WFMOupre:BN_Fmt](#) also changes the value of [DATA:ENCdg](#). The waveform is specified by the [DATA:SOUrce](#) command.

(See page 2-85, *Waveform Transfer Command Group*.)

(See page D-1, *Waveform Transfer (WFMOupre and CURVe Query) Examples*.)

Group	Waveform Transfer
Syntax	WFMOutpre:BN_Fmt {RI RP FP} WFMOutpre:BN_Fmt?
Related Commands	DATA:ENCdg , DATA:SOUrce
Arguments	RI specifies signed integer data point representation. RP specifies positive integer data point representation. FP specifies floating point data representation
Examples	WFMOUTPRE:BN_FMT RP specifies that outgoing waveform data will be in positive integer format. WFMOUTPRE:BN_FMT? might return :WFMOUTPRE:BN_FMT RI indicating that the outgoing waveform data is currently in signed integer format.

WFMOutpre:BYT_Nr

This command specifies the data width for the outgoing waveform specified by the [DATA:SOUrce](#) command. (This command is synonymous with [DATA:WIDTH](#).) Note that changing [WFMOutpre:BYT_Nr](#) also changes [WFMOutpre:BIT_Nr](#) and [DATA:WIDTH](#).

(See page 2-85, *Waveform Transfer Command Group*.)

(See page D-1, *Waveform Transfer (WFMOutpre and CURVe Query) Examples*.)

NOTE. *The [WFMOutpre:BYT_Nr](#) and [WFMOutpre:BIT_Nr](#) settings are directly related; setting one causes the other to be set accordingly. For example, [WFMOutpre:BYT_Nr 2](#) causes [WFMOutpre:BIT_Nr](#) to be set to 16 (2 * 8 bits/byte). Similarly, setting [WFMOutpre:BIT_Nr](#) to 16 causes [WFMOutpre:BYT_Nr](#) to be set to 2.*

Group	Waveform Transfer
Syntax	WFMOutpre:BYT_Nr <NR1> WFMOutpre:BYT_Nr?

Related Commands	DATA:SOURce , DATA:WIDTH , WFMOutpre:BIT_Nr
Arguments	<NR1> is the number of bytes per data point. The number of bytes can be 1 or 2 for Analog, Math or the digital channels D0 – D15. It can be 4 or 8 for DIGital collection data. It must be 4 for frequency domain trace data.
Examples	<p>WFMOUTPRE:BYT_NR 1 sets the number of bytes per outgoing waveform data point to 1, which is the default setting.</p> <p>WFMOUTPRE:BYT_NR? might return :WFMOUTPRE:BYT_NR 2 indicating that there are 2 bytes per outgoing waveform data point.</p>

WFMOutpre:BYT_Or

This command specifies which byte of outgoing binary waveform data is transmitted first (the byte order). The byte order can either be MSB (most significant byte first) or LSB (least significant byte first, also known as IBM format). This specification only has meaning when [WFMOutpre:ENCdg](#) is set to BINary and [WFMOutpre:BYT_Nr](#) is 2. Changing [WFMOutpre:BYT_Or](#) also changes [DATA:ENCdg](#) (if [DATA:ENCdg](#) is not ASCIi).

(See page 2-85, *Waveform Transfer Command Group*.)

(See page D-1, *Waveform Transfer (WFMOutpre and CURVe Query) Examples*.)

Group	Waveform Transfer
Syntax	<pre>WFMOutpre:BYT_Or {LSB MSB} WFMOutpre:BYT_Or?</pre>
Related Commands	WFMOutpre:ENCdg , WFMOutpre:BYT_Nr
Arguments	<p>LSB specifies that the least significant byte will be transmitted first.</p> <p>MSB specifies that the most significant byte will be transmitted first.</p>
Examples	WFMOUTPRE:BYT_OR MSB sets the most significant outgoing byte of waveform data to be transmitted first.

WFMOUTPRE:BYT_OR? might return :WFMOUTPRE:BYT_OR LSB indicating that the least significant data byte will be transmitted first.

WFMOutpre:CENTERFREQUENCY? (Query Only)

This query returns the center frequency of the incoming waveform. For non-MDO models, this query always returns 0.

The center frequency is a precise frequency at the center of the display of the frequency domain graticule. In many applications, it is a carrier frequency.

Conditions	MDO models only.
Group	Waveform Transfer
Syntax	WFMOutpre:CENTERFREQUENCY?
Examples	WFMOutpre:CENTERFREQUENCY? might return 1.0E+9, indicating a center frequency of 1 GHz.

WFMOutpre:DOMAIN? (Query Only)

This query returns the domain of the outgoing waveform — either TIME or FREQUENCY. If the domain is TIME, it indicates that the data is to be treated as integer information. If the domain is FREQUENCY, it indicates that the data is to be treated as floating point information.

Conditions	MDO models only.
Group	Waveform Transfer
Syntax	WFMOutpre:DOMAIN?
Examples	WFMOutpre:DOMAIN might return FREQUENCY, indicating that the outgoing waveform is one of the four RF frequency domain traces (RF_NORMAL, RF_AVERAGE, RF_MINHOLD, RF_MAXHOLD).

WFMOutpre:ENCdg

This command specifies the type of encoding (BINary or ASCii) of the outgoing waveform data queried using the CURVe? query. (This can also be set using the [DATA:ENCdg](#) command, which provides the ability to set `WFMOutpre:ENCdg`, `WFMOutpre:BN_Fmt`, and `WFMOutpre:BYT_Or` using a single command.)

(See page 2-85, *Waveform Transfer Command Group*.)

(See page D-1, *Waveform Transfer (WFMOutpre and CURVe Query) Examples*.)

Group	Waveform Transfer
Syntax	<code>WFMOutpre:ENCdg {ASCii BINary}</code> <code>WFMOutpre:ENCdg?</code>
Related Commands	DATA:ENCdg , WFMOutpre:BYT_Nr , WFMOutpre:BYT_Or , WFMOutpre:BIT_Nr , WFMOutpre:BN_Fmt
Arguments	<p>ASCii specifies that the outgoing data is to be in ASCII format. Waveforms will be sent as <NR1> numbers.</p> <p>BINary specifies that outgoing data is to be in a binary format whose further specification is determined by WFMOutpre:BYT_Nr, WFMOutpre:BIT_Nr, WFMOutpre:BN_Fmt and WFMOutpre:BYT_Or.</p>
Examples	<p><code>WFMOUTPRE:ENCDG?</code> might return <code>:WFMOUTPRE:ENCDG BIN</code> indicating that outgoing waveform data will be sent in binary format.</p> <p><code>WFMOUTPRE:ENCDG ASC</code> specifies that the outgoing waveform data will be sent in ASCII format.</p>

WFMOutpre:NR_Pt? (Query Only)

This query returns the number of data points in the waveform record that will be transmitted in response to a CURVe? query. This value is the adjusted range specified by `DATA:START` and `DATA:STOP` commands. Note that the oscilloscope automatically adjusts the `DATA:START` and `DATA:STOP` values when the `DATA:STOP` value is less than the `DATA:START` value, and when the `DATA:START` and/or `DATA:STOP` value is greater than the record length of the

source waveform. The adjusted `DATA:START` and `DATA:STOP` values determine `WFMOUtpre:NR_Pt`. (You can use `DATA:START` and `DATA:STOP` to transfer partial waveforms.) If the waveform specified by the `DATA:SOUrce` command is not turned on, an error will be generated.

(See page 2-85, *Waveform Transfer Command Group*.)

Group Waveform Transfer

Syntax `WFMOUtpre:NR_Pt?`

Related Commands [CURVe](#),
[DATA](#),
[DATA:START](#),
[DATA:STOP](#),
[SAVe:WAVEform](#),
[SAVe:WAVEform:FILEFormat](#),
[WFMImpre:NR_Pt](#)

Examples `WFMOUtpre:NR_PT?` might return `:WFMOUtpre:NR_PT 10000` indicating that there are 10000 data points to be sent.

WFMOUtpre:PT_Fmt? (Query Only)

This query returns the point format of the data points in the outgoing waveform record transferred using the `CURVe?` query. The returned values can be `Y`, which indicates normal waveform points for `YT` format, or `ENV`, which indicates envelope mode format in which the data is returned as a series of min/max pairs. The minimum value precedes the maximum.

The outgoing waveform is specified by the `DATA:SOUrce` command. The query command will time out and an error will be generated if the waveform specified by `DATA:SOUrce` is not turned on.

(See page 2-85, *Waveform Transfer Command Group*.)

(See page D-1, *Waveform Transfer (WFMOUtpre and CURVe Query) Examples*.)

Group Waveform Transfer

Syntax WFMOutpre:PT_Fmt?

Related Commands [CURVe](#), [DATA:SOURce](#)

Examples WFMOUTPRE:PT_FMT? might return :WFMOutpre:PT_Fmt ENV indicating that the waveform data is a series of min-max pairs.

WFMOutpre:PT_Off? (Query Only)

This query always returns 0 if the waveform specified by [DATA:SOURce](#) is on or displayed. If the waveform is not displayed, the query form generates an error. (It is provided for compatibility with other Tektronix oscilloscopes).

(See page 2-85, *Waveform Transfer Command Group*.)

(See page D-1, *Waveform Transfer (WFMOutpre and CURVe Query) Examples*.)

Group Waveform Transfer

Syntax WFMOutpre:PT_Off?

Related Commands [DATA:SOURce](#)

Arguments Arguments are ignored.

Examples WFMOUTPRE:PT_OFF? might return WFMOUTPRE:PT_OFF 0.

WFMOutpre:PT_ORder? (Query Only)

This query returns the point ordering, which is always linear (included for compatibility with other Tektronix oscilloscopes).

(See page 2-85, *Waveform Transfer Command Group*.)

(See page D-1, *Waveform Transfer (WFMOutpre and CURVe Query) Examples*.)

Group Waveform Transfer

Syntax WFMOutpre:PT_ORder?

Related Commands [DATA:SOURce](#)

Examples `WFMOUTPRE:PT_ORDER?` returns `:WFMOUTPRE:PT_ORDER LINEAR`.

WFMOutpre:REFLevel? (Query Only)

This query returns the Reference Level of the outgoing waveform. It applies only to the four frequency domain waveforms (RF Normal, RF Average, RF Max Hold, and RF Min Hold). The units are in Watts.

Conditions MDO models only.

Group Waveform Transfer

Syntax `WFMOutpre:REFLevel?`

Examples `WFMOutpre:REFLevel?` might return `1.0000E-3`, indicating a Reference Level of 1 mW.

WFMOutpre:SPAN? (Query Only)

This query returns the frequency span of the outgoing waveform. For non-MDO models, this query always returns 0.0.

The span is the range of frequencies you can observe around the center frequency.

Conditions MDO models only.

Group Waveform Transfer

Syntax `WFMOutpre:SPAN?`

Examples `RF:SPAN?` might return `10.0000E+6`, indicating the span is 10MHz.

WFMOutpre:WFId? (Query Only)

This query returns a string that describes several aspects of the acquisition parameters for the source waveform, including Source, Coupling, Vertical

Scale, Horizontal Scale, Record Length and Acquisition Mode. If the waveform specified by `DATA:SOURce` command is not turned on, an error will be generated.

(See page 2-85, *Waveform Transfer Command Group*.)

(See page D-1, *Waveform Transfer (WFMOutpre and CURVe Query) Examples*.)

Group Waveform Transfer

Syntax `WFMOutpre:WFId?`

Related Commands `DATA:SOURce`

Returns `<QString>` comprises the following comma-separated fields documented in the tables below:

Table 2-50: Waveform Suffixes

Field	Description	Examples
Source	The source identification string as it appears in the front-panel scale factor readouts.	"CH1-4" "Math1" "Ref1-4"
Coupling	A string describing the vertical coupling of the waveform (the Source1 waveform in the case of Dual Waveform Math).	"AC coupling" "DC coupling" "GND coupling"
Vert Scale	A string containing the vertical scale factor of the unzoomed waveform. The numeric portion will always be four digits. The examples cover all supported units.	"100.0 mV/div" "20.00 dB/div" "45.00 deg/div" "785.4 mrad/div" "500.0 µVs/div" "10.00 kV/s/div" "200.0 mV/div" "50.00 unk/div"
Horiz Scale	A string containing the horizontal scale factor of the unzoomed waveform. The numeric portion will always be four digits. The examples cover all supported units.	"100 ms/div" "10.00 kHz/div"
Record Length	A string containing the number of waveform points available in the entire record. The numeric portion is given as an integer.	"1000 points"
Acquisition Mode	A string describing the mode used to acquire the waveform.	"Sample mode" "Pk Detect mode" "Envelope mode" "Average mode"

Table 2-50: Waveform Suffixes (cont.)

Field	Description	Examples
Center Frequency	A string containing the center frequency value of the waveform.	"2.400GHz"
Span	A string containing the frequency span value of the waveform.	"20.00MHz"
Reference Level	A string containing the reference level value of the waveform.	"1.000mW"

Examples WFMOUTPRE:WFID? might return :WFMOUTPRE:WFID "Ch1, DC coupling,100.0mvolts/div,500.0µs/div, 1000 points, sample mode"

WFMOutpre:WFMTYPE? (Query Only)

This query returns the type of the outgoing waveform. RF_FD indicates an RF frequency domain waveform; RF_TD indicates an RF time domain waveform; ANALOG indicates Channel 1–4 or the Math waveform. The default is analog. For non-MDO models, this query always returns ANALOG.

The type of waveform that is being transferred in turn determines which window will display it on the instrument screen: (the time domain window or frequency domain window). Both the analog and RF-TD arguments specify the time domain window; the RF_RD argument specifies the frequency domain window.

Conditions MDO models only.

Group Waveform Transfer

Syntax WFMOutpre:WFMTYPE?

Returns ANALOG, RF_FD or RF_TD

Examples WFMOutpre:WFMTYPE? might return RF_FD, which indicates that the outgoing waveform is an RF frequency domain waveform (RF_AVErAge, RF_MAXHold, RF_MINHold, or RF_AMPlitude).

WFMOutpre:XINcr? (Query Only)

This query returns the horizontal point spacing in units of time (seconds), or frequency (hertz) between data points in the waveform record transferred using the :CURVE? query. This value corresponds to the sampling interval.

If the waveform specified by the [DATA:SOURce](#) command is not turned on, an error will be generated.

(See page 2-85, *Waveform Transfer Command Group*.)

(See page D-1, *Waveform Transfer (WFMOutpre and CURVe Query) Examples*.)

Group Waveform Transfer

Syntax WFMOutpre:XINcr?

Related Commands [DATA:SOURce](#),
[WFMOutpre:XUNit?](#)

Examples WFMOUTPRE:XINCR? might return :WFMOUTPRE:XINCR 10.0000E-6 indicating that the horizontal sampling interval is 10 µs/point.

WFMOutpre:XUNit? (Query Only)

This query indicates the horizontal units of the x-axis of the waveform record transferred using the CURVE? query. Typically, this value is "s" when the waveform source is displayed in the time domain, and "Hz" when the waveform source is displayed in the frequency domain. When the waveform source is Math or a reference waveform, the value can be "s" or "Hz".

If the waveform specified by [DATA:SOURce](#) is not turned on, nothing is returned and an error event is generated.

(See page 2-85, *Waveform Transfer Command Group*.)

(See page D-1, *Waveform Transfer (WFMOutpre and CURVe Query) Examples*.)

Group Waveform Transfer

Syntax WFMOutpre:XUNit?

Related Commands [DATA:SOURce](#)

Examples `WFMOUtpRE:XUNIT?` might return `:WFMOUtpRE:XUNIT "HZ"` indicating that the horizontal units for the waveform are in Hertz.

WFMOUtpre:XZErO? (Query Only)

This query returns the time coordinate, in seconds, or frequency, in hertz, of the first data point in the outgoing waveform record transferred using the `CURVe?` query. This time or frequency is relative to the time of the trigger, which is always 0. Thus, the `XZErO` time or frequency can be negative. You can query the units using the `WFMOUtpre:XUNit?` command. If the waveform specified by `DATA:SOUrce` is not turned on, nothing is returned and an error event is generated.

(See page 2-85, *Waveform Transfer Command Group*.)

(See page D-1, *Waveform Transfer (WFMOUtpre and CURVe Query) Examples*.)

Group Waveform Transfer

Syntax `WFMOUtpre:XZErO?`

Related Commands `DATA:SOUrce`, `WFMOUtpre:XUNit?`

Examples `WFMOUtpRE:XZErO?` might return `:WFMOUtpRE:XZErO 5.6300E-9` indicating that the trigger occurred 5.63 ns before the first sample in the waveform record.

WFMOUtpre:YMUlt? (Query Only)

This query returns the vertical scale multiplying factor used to convert the waveform data point values in the outgoing waveform record from digitizing levels to the `YUNit` units. You can determine the units by using the `WFMOUtpre:YUNit` query.

See the description of the `WFMImpre:YMUlt` command to see how this scale factor is used to convert waveform sample values to volts.

If the waveform specified by `DATA:SOUrce` is not turned on, nothing is returned and an error event is generated.

(See page 2-85, *Waveform Transfer Command Group*.)

(See page D-1, *Waveform Transfer (WFMOUtpre and CURVe Query) Examples*.)

Group Waveform Transfer

Syntax `WFMOutpre:YMult?`

Related Commands [DATA:SOURce](#),
[WFMInpre:YMult](#)

Examples `WFMOUTPRE:YMULT?` might return `:WFMOUTPRE:YMULT 4.0000E-3` indicating that the vertical scale for the corresponding waveform is 100 mV/div (for 8-bit waveform data or 0.390625 V/div for 16-bit data).

WFMOutpre:YOff? (Query Only)

This query returns the vertical position of the source waveform in digitizing levels. There are 25 digitizing levels per vertical division for 1-byte data, and 6400 digitizing levels per vertical division for 2-byte data. See the description of [WFMInpre:YOff](#) to see how this position is used to convert waveform sample values to volts. If the waveform specified by [DATA:SOURce](#) is not turned on, nothing is returned and an error event is generated.

(See page 2-85, *Waveform Transfer Command Group*.)

(See page D-1, *Waveform Transfer (WFMOutpre and CURVe Query) Examples*.)

Group Waveform Transfer

Syntax `WFMOutpre:YOff?`

Related Commands [DATA:SOURce](#),
[WFMOutpre:BYT_Nr](#)

Examples `WFMOUTPRE:YOFF?` might return `:WFMOUTPRE:YOFF -50.0000E+0` indicating that the position indicator for the waveform was 50 digitizing levels (2 divisions) below center screen (for 8-bit waveform data).

WFMOutpre:YUnit? (Query Only)

This query returns the units of data points in the outgoing waveform record transferred using the `CURVE?` query. This can be any of several string values, depending upon the vertical units of the source waveform (specified by the [DATA:SOURce](#) command). Typically, this is “V” for volts. If the waveform specified by [DATA:SOURce](#) is not turned on, nothing is returned and an error event is generated.

(See page 2-85, *Waveform Transfer Command Group*.)

(See page D-1, *Waveform Transfer (WFMOupre and CURVe Query) Examples*.)

Group Waveform Transfer

Syntax WFMOupre:YUNit?

Related Commands [DATA:SOURce](#)

Examples WFMOUPRE:YUNIT? might return :WFMOUPRE:YUNIT "dB" indicating that the vertical units for the waveform are measured in decibels.

WFMOupre:YZero? (Query Only)

This query returns the vertical offset of the source waveform. You can determine the units using the [WFMOupre:YUNit?](#) query. See the description of [WFMinpre:YZero](#) to see how this offset is used to convert waveform sample values to volts. If the waveform specified by [DATA:SOURce](#) is not turned on, nothing is returned and an error event is generated.

(See page 2-85, *Waveform Transfer Command Group*.)

(See page D-1, *Waveform Transfer (WFMOupre and CURVe Query) Examples*.)

Group Waveform Transfer

Syntax WFMOupre:YZero?

Related Commands [DATA:SOURce](#),
[WFMOupre:YUNit?](#)

Examples WFMOUPRE:YZERO? might return :WFMOUPRE:YZERO -100.0000E-3 indicating that vertical offset is set to -100 mV.

ZOOM? (Query Only)

Returns the current vertical and horizontal positioning and scaling of the display.

Group Zoom

Syntax ZOOM?

Examples ZOOM? might return :ZOOM:MODE 1;GRATICULE:SIZE 80;SPLIT EIGHTYTWENTY;;:ZOOM:ZOOM1:STATE 1;SCALE 400. 0000E-12;POSITION 46.8986;FACTOR 50.0000E+3;HORIZONTAL:POSITION 46.8986;SCALE 40 0.0000E-12

ZOOM{:MODE|:STATE}

Turns Zoom mode on or off. The Zoom query returns the current state of Zoom mode. This command is equivalent to pressing the zoom button located on the front panel.

Group Zoom

Syntax ZOOM{:MODE|:STATE} {ON|OFF|<NR1>}
ZOOM{:MODE|:STATE}

Arguments ON turns on Zoom mode.
OFF turns off Zoom mode.
<NR1> is an integer. 0 turns off Zoom mode; any other value turns on Zoom mode.

Examples ZOOM:MODE OFF turns off Zoom mode.
ZOOM:MODE? might return :ZOOM:MODE 1 indicating that Zoom mode is currently turned on.

ZOOM:ZOOM<x>? (Query Only)

Returns the current vertical and horizontal positioning and scaling of the display. <x> can only be 1.

Group Zoom

Syntax ZOOM:ZOOM<x>?

Examples ZOOM:ZOOM1? might return :ZOOM:ZOOM1:STATE 1;SCALE
400.0000E-12;POSITION 46.8986;FACTOR 50.0000E+3;HORIZO
NTAL:POSITION 46.8986;SCALE 400.0000E-12.

ZOOM:ZOOM<x>:FACTOR? (Query Only)

Returns the zoom factor of a particular zoom box. <x> can only be 1.

Group Zoom

Syntax ZOOM:ZOOM<x>:FACTOR?

Returns <NR1> is an integer that specifies the zoom factor of a zoom box.

ZOOM:ZOOM<x>:POSITION

Sets the horizontal position of the zoom box, in terms of 0 to 100.0% of upper window. <x> can only be 1.

Group Zoom

Syntax ZOOM:ZOOM<x>:POSITION <NR3>
ZOOM:ZOOM<x>:POSITION?

Arguments <NR3> is a floating point number that specifies the horizontal position as a percent of the upper window.

ZOOM:ZOOM<x>:SCALE

This command specifies the horizontal scale of the zoom box. <x> can only be 1.

Group Zoom

Syntax ZOOM:ZOOM<x>:SCALE <NR3>
ZOOM:ZOOM<x>:SCALE?

Arguments <NR3> is a floating point number that specifies the horizontal scale of the zoom box.

ZOOM:ZOOM<x>:STATE

This command turns the specified zoom on or off. <x> can only be 1.

Group	Zoom
Syntax	ZOOM:ZOOM<x>:STATE {ON OFF <NR1>} ZOOM:ZOOM<x>:STATE?
Arguments	ON turns Zoom 1 on. OFF turns Zoom 1 off. <NR1> is an integer. 0 disables the specified zoom; any other value enables the specified zoom.
Examples	ZOOM:ZOOM1:STATE ON turns Zoom1 on. ZOOM:ZOOM1:STATE? might return :ZOOM:ZOOM1:STATE 1 indicating that Zoom1 is on.

ZOOM:ZOOM<x>:TRIGPOS? (Query Only)

This query returns the time at the center of the zoom box relative to the trigger position of the currently selected time domain waveform.

Group	Zoom
Syntax	ZOOM:ZOOM<x>:TRIGPOS?
Examples	ZOOM:ZOOM<x>:TRIGPOS? might return 306.2500E+3, indicating that 306.2500E+3 seconds have passed between the center of the zoom box and the trigger position.

Status and Events

Status and Events

The oscilloscope provides a status and event reporting system for the Ethernet, GPIB (with the TEK-USB-488 Adapter), and USB interfaces. This system informs you of certain significant events that occur within the oscilloscope.

The oscilloscope status handling system consists of five 8-bit registers and two queues for each interface. The remaining Status subtopics describe these registers and components. They also explain how the event handling system operates.

Registers

Overview

The registers in the event handling system fall into two functional groups:

- Status Registers contain information about the status of the oscilloscope. They include the Standard Event Status Register (SESR).
- Enable Registers determine whether selected types of events are reported to the Status Registers and the Event Queue. They include the Device Event Status Enable Register (DESER), the Event Status Enable Register (ESER), and the Service Request Enable Register (SRER).

Status Registers

The Standard Event Status Register (SESR) and the Status Byte Register (SBR) record certain types of events that may occur while the oscilloscope is in use. IEEE Std 488.2-1987 defines these registers.

Each bit in a Status Register records a particular type of event, such as an execution error or message available. When an event of a given type occurs, the oscilloscope sets the bit that represents that type of event to a value of one. (You can disable bits so that they ignore events and remain at zero. See Enable Registers). Reading the status registers tells you what types of events have occurred.

The Standard Event Status Register (SESR). The SESR records eight types of events that can occur within the oscilloscope. Use the *ESR? query to read the SESR register. Reading the register clears the bits of the register so that the register can accumulate information about new events.

NOTE. *TekVISA applications use SESR bit 6 to respond to any of several events, including some front panel actions.*

7	6	5	4	3	2	1	0
PON	URQ	CME	EXE	DDE	QYE	RQC	OPC

Figure 3-1: The Standard Event Status Register (SESR)

Table 3-1: SESR Bit Functions

Bit	Function	
7 (MSB)	PON	Power On. Shows that the oscilloscope was powered on. On completion, the diagnostic self tests also set this bit.
6	URQ	User Request. Indicates that an application event has occurred. *See note.
5	CME	Command Error. Shows that an error occurred while the oscilloscope was parsing a command or query.
4	EXE	Execution Error. Shows that an error executing a command or query.
3	DDE	Device Error. Shows that a device error occurred.
2	QYE	Query Error. Either an attempt was made to read the Output Queue when no data was present or pending, or that data in the Output Queue was lost.
1	RQC	Request Control. This is not used.
0 (LSB)	OPC	operation complete. Shows that the operation is complete. This bit is set when all pending operations complete following an *OPC command.

The Status Byte Register (SBR). Records whether output is available in the Output Queue, whether the oscilloscope requests service, and whether the SESR has recorded any events.

Use a Serial Poll or the *STB? query to read the contents of the SBR. The bits in the SBR are set and cleared depending on the contents of the SESR, the Event Status Enable Register (ESER), and the Output Queue. When you use a Serial Poll to obtain the SBR, bit 6 is the RQS bit. When you use the *STB? query to obtain the SBR, bit 6 is the MSS bit. Reading the SBR does not clear the bits.

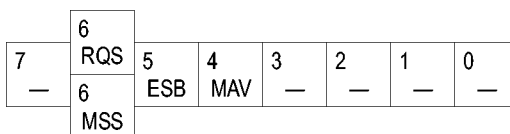


Figure 3-2: The Status Byte Register (SBR)

Table 3-2: SBR Bit Functions

Bit	Function	
7 (MSB)	—	Not used.
6	RQS	Request Service. Obtained from a serial poll. Shows that the oscilloscope requests service from the GPIB controller.
6	MSS	Master Status Summary. Obtained from *STB? query. Summarizes the ESB and MAV bits in the SBR.
5	ESB	Event Status Bit. Shows that status is enabled and present in the SESR.

Table 3-2: SBR Bit Functions (cont.)

Bit	Function
4	MAV Message Available. Shows that output is available in the Output Queue.
3	Not used.
2	Not used.
1-0	Not used.

Enable Registers

DESER, ESER, and SRER allow you to select which events are reported to the Status Registers and the Event Queue. Each Enable Register acts as a filter to a Status Register (the DESER also acts as a filter to the Event Queue) and can prevent information from being recorded in the register or queue.

Each bit in an Enable Register corresponds to a bit in the Status Register it controls. In order for an event to be reported to a bit in the Status Register, the corresponding bit in the Enable Register must be set to one. If the bit in the Enable Register is set to zero, the event is not recorded.

Various commands set the bits in the Enable Registers. The Enable Registers and the commands used to set them are described below.

The Device Event Status Enable Register (DESER). This register controls which types of events are reported to the SESR and the Event Queue. The bits in the DESER correspond to those in the SESR.

Use the DESE command to enable and disable the bits in the DESER. Use the DESE? query to read the DESER.

7	6	5	4	3	2	1	0
PON	URQ	CME	EXE	DDE	QYE	RQC	OPC

Figure 3-3: The Device Event Status Enable Register (DESER)

The Event Status Enable Register (ESER). This register controls which types of events are summarized by the Event Status Bit (ESB) in the SBR. Use the *ESE command to set the bits in the ESER. Use the *ESE? query to read it.

7	6	5	4	3	2	1	0
PON	URQ	CME	EXE	DDE	QYE	RQC	OPC

Figure 3-4: The Event Status Enable Register (ESER)

The Service Request Enable Register (SRER). This register controls which bits in the SBR generate a Service Request and are summarized by the Master Status Summary (MSS) bit.

Use the *SRE command to set the SRER. Use the *SRE? query to read the register. The RQS bit remains set to one until either the Status Byte Register is read with a Serial Poll or the MSS bit changes back to a zero.

7	6	5	4	3	2	1	0
—	—	ESB	MAV	—	—	—	—

Figure 3-5: The Service Request Enable Register (SRER)

***PSC Command** The *PSC command controls the Enable Registers contents at power-on. Sending *PSC 1 sets the Enable Registers at power on as follows:

- DESER 255 (equivalent to a DESe 255 command)
- ESER 0 (equivalent to an *ESE 0 command)
- SRER 0 (equivalent to an *SRE 0 command)

Sending *PSC 0 lets the Enable Registers maintain their values in nonvolatile memory through a power cycle.

NOTE. To enable the PON (Power On) event to generate a Service Request, send *PSC 0, use the DESe and *ESE commands to enable PON in the DESER and ESER, and use the *SRE command to enable bit 5 in the SRER. Subsequent power-on cycles will generate a Service Request.

Queues

The *PSC command controls the Enable Registers contents at power-on. Sending *PSC 1 sets the Enable Registers at power on as follows:

Output Queue The oscilloscope stores query responses in the Output Queue and empties this queue each time it receives a new command or query message after an <EOM>. The controller must read a query response before it sends the next command (or query) or it will lose responses to earlier queries.



CAUTION. When a controller sends a query, an <EOM>, and a second query, the oscilloscope normally clears the first response and outputs the second while reporting a Query Error (QYE bit in the ESER) to indicate the lost response. A fast controller, however, may receive a part or all of the first response as well. To avoid this situation, the controller should always read the response immediately after sending any terminated query message or send a DCL (Device Clear) before sending the second query.

Event Queue The Event Queue stores detailed information on up to 33 events. If than 32 events stack up in the Event Queue, the 32nd event is replaced by event code 350, "Queue Overflow."

Read the Event Queue with the `EVENT?` query (which returns only the event number), with the `EVMSG?` query (which returns the event number and a text description of the event), or with the `ALLEV?` query (which returns all the event numbers along with a description of the event). Reading an event removes it from the queue.

Before reading an event from the Event Queue, you must use the `*ESR?` query to read the summary of the event from the SESR. This makes the events summarized by the `*ESR?` read available to the `EVENT?` and `EVMSG?` queries, and empties the SESR.

Reading the SESR erases any events that were summarized by previous `*ESR?` reads but not read from the Event Queue. Events that follow an `*ESR?` read are put in the Event Queue but are not available until `*ESR?` is used again.

Event Handling Sequence

The following figure shows how to use the status and event handling system. In the explanation that follows, numbers in parentheses refer to numbers in the figure.

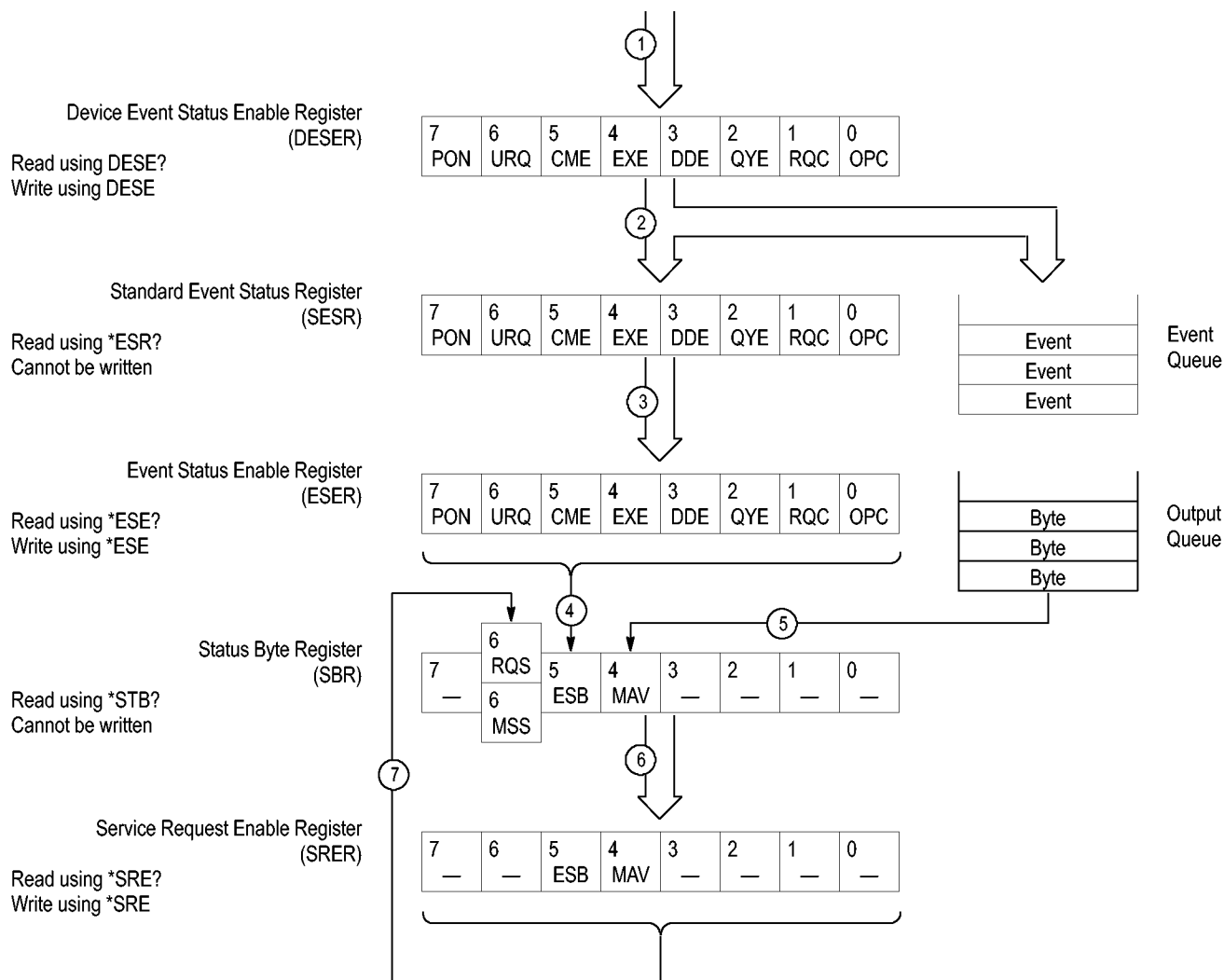


Figure 3-6: Status and Event Handling Process

When an event occurs, a signal is sent to the DESER (1). If that type of event is enabled in the DESER (that is, if the bit for that event type is set to 1), the appropriate bit in the SESR is set to one, and the event is recorded in the Event Queue (2). If the corresponding bit in the ESER is also enabled (3), then the ESB bit in the SBR is set to one (4).

When output is sent to the Output Queue, the MAV bit in the SBR is set to one (5).

When a bit in the SBR is set to one and the corresponding bit in the SRER is enabled (6), the MSS bit in the SBR is set to one and a service request is generated (7).

Synchronization Methods

Overview Although most commands are completed almost immediately after being received by the oscilloscope, some commands start a process that requires time. For example, once a single sequence acquisition command is executed, depending upon the applied signals and trigger settings, it may take an extended period of time before the acquisition is complete. Rather than remain idle while the operation is in process, the oscilloscope will continue processing other commands. This means that some operations will not be completed in the order that they were sent. Furthermore, sometimes the result of an operation depends upon the result of an earlier operation. A first operation must complete before the next one is processed.

In order to handle these situations, the oscilloscope status and event reporting system allows you to synchronize the operation of the oscilloscope with your application program, using the Operation Complete function. Note, however, that only some operations are able to take advantage of this function; a table is provided below of commands that support this.

The following commands are used to synchronize the oscilloscope functions using Operation Complete. See examples of how to use these commands later on in this section:

***OPC** — sending the *OPC command will set bit 0 of the SESR (Standard Events Status Register). The bit will only be set high when all pending operations that generate an OPC message have finished execution. (The SESR is queried using *ESR?) The *OPC? query form returns 1 only when all operations have completed, or a device clear is received.

***WAI** — prevents the oscilloscope from executing further commands or queries until all pending commands that generate an OPC message are complete.

BUSY? — returns the status of operations: 1 means there are pending operations, 0 means that all pending operations are complete.

NOTE. *Some OPC operations may require an extended period of time to complete or may never complete. For example, a single sequence acquisition may never complete when no trigger event occurs. You should be aware of these conditions and tailor your program accordingly by:*

— *setting the timeout sufficiently for the anticipated maximum time for the operation and*

— *handle a timeout appropriately by querying the SESR (*ESR?) and event queue (EVMsg? or ALLEv?).*

NOTE. The *OPC command form can also be used to cause an SRQ to be generated upon completion of all pending operations. This requires that the ESB (Event Status Bit, bit 5) of the SRER (Service Request Enable Register) is set, and the OPC bit (bit 0) of the DESR (Device Event Status Enable Register) and the ESER (Event Status Enable Register) are set. (The SRER is set/queried using *SRE. The DESR is set/queried using DESE. The ESER is set/queried using *ESE.)

Only a subset of oscilloscope operations support the Operation Complete function (OPC):

Table 3-3: Oscilloscope operations that can generate OPC

Command	Conditions
ACQuire:STATE <non-zero NR1> ON RUN	Only when in single sequence acquisition mode
CALibrate:INTERNaL	
CALibrate:INTERNaL:STARt	
CALibrate:FACTory STARt	
CALibrate:FACTory CONTInue	
CALibrate:FACTory PREVIous	
CH<x>:PRObe:AUTOZero EXECute	
CH<x>:PRObe:DEGAUss EXECute	
DIAG:STATE EXECute	
FACTory	
HARDCopy	
HARDCopy STARt	
MASK:TEST:SRQ:COMPLetion (1 ON)	upon completion of test
MASK:TEST:SRQ:FAILure (1 ON)	upon failure of test
RECAll:MASK <file>	
RECAll:SETUp (<file as quoted string> FACTory)	
RECAll:WAVEform <.ISF or .CSV file>, <REF1 REF2 REF3 REF4>	
*RST	
SAVe:IMAGe <file as quoted string>	
SAVe:SETUp <file as quoted string>	
SAVe:WAVEform <source wfm>, (<REF1 REF2 REF3 REF4> <file>)	
TEKSecure	

Example of Acquiring and Measuring a Single-Sequence Waveform

For example, a typical application might involve acquiring a single-sequence waveform and then taking a measurement on the acquired waveform. You could use the following command sequence to do this:

```

/** Set up conditional acquisition **/
ACQUIRE:STATE OFF
SELECT:CH1 ON
HORIZONTAL:RECORDLENGTH 1000
ACQUIRE:MODE SAMPLE
ACQUIRE:STOPAFTER SEQUENCE
/** Acquire waveform data **/
ACQUIRE:STATE ON
/** Set up the measurement parameters **/
MEASUREMENT:IMMED:TYPE AMPLITUDE
MEASUREMENT:IMMED:SOURCE CH1
/** Take amplitude measurement **/
MEASUREMENT:MEAS1:VALUE?

```

The acquisition of the waveform requires extended processing time. It may not finish before the oscilloscope takes an amplitude measurement (see the following figure). This can result in an incorrect amplitude value.

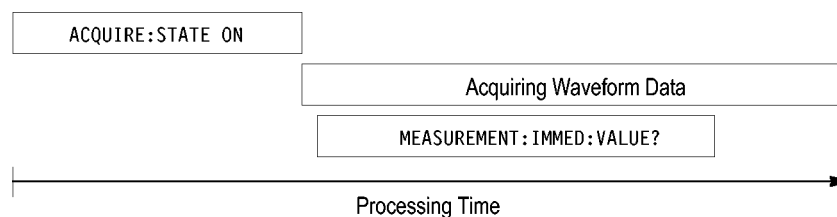


Figure 3-7: Command Processing Without Using Synchronization

To ensure the oscilloscope completes waveform acquisition before taking the measurement on the acquired data, you can synchronize the program using `*WAI`, `BUSY`, `*OPC`, and `*OPC?`.

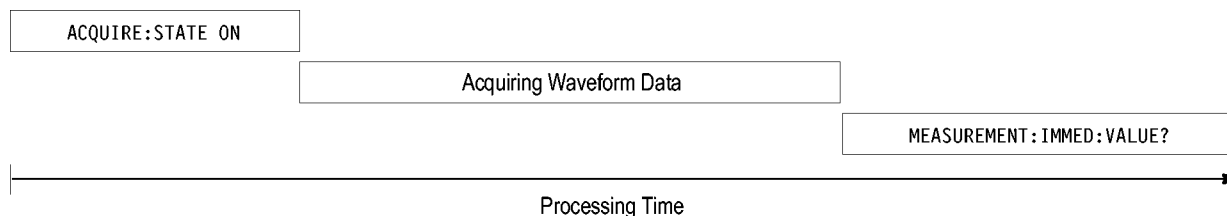


Figure 3-8: Processing Sequence With Synchronization

Example of Using the *OPC Command

If the corresponding status registers are enabled, the `*OPC` command sets the OPC bit in the Standard Event Status Register (SESR) when an operation is complete. You achieve synchronization by using this command with either a serial poll or service request handler.

Serial Poll Method: Enable the OPC bit in the Device Event Status Enable Register (DESER) and the Event Status Enable Register (ESER) using the DESE and *ESE commands.

When the operation is complete, the OPC bit in the Standard Event Status Register (SESR) will be enabled and the Event Status Bit (ESB) in the Status Byte Register will be enabled.

The same command sequence using the *OPC command for synchronization with serial polling looks like this:

```

/* Set up conditional acquisition */
ACQUIRE:STATE OFF
SELECT:CH1 ON
HORIZONTAL:RECORDLENGTH 1000
ACQUIRE:MODE SAMPLE
ACQUIRE:STOPAFTER SEQUENCE
/* Enable the status registers */
DESE 1
*ESE 1
*SRE 0
/* Acquire waveform data */
ACQUIRE:STATE ON
/* Set up the measurement parameters */
MEASUREMENT:IMMED:TYPE AMPLITUDE
MEASUREMENT:IMMED:SOURCE CH1
/* wait until the acquisition is complete before taking the
measurement.*/
*OPC
while serial poll = 0, keep looping
/* Take amplitude measurement */
MEASUREMENT:IMMED:VALUE?

```

This technique requires less bus traffic than did looping on BUSY.

Service Request Method: Enable the OPC bit in the Device Event Status Enable Register (DESER) and the Event Status Enable Register (ESER) using the DESE and *ESE commands.

You can also enable service requests by setting the ESB bit in the Service Request Enable Register (SRER) using the *SRE command. When the operation is complete, the oscilloscope will generate a Service Request.

The same command sequence using the *OPC command for synchronization looks like this

```

/* Set up conditional acquisition */
ACQUIRE:STATE OFF
SELECT:CH1 ON
HORIZONTAL:RECORDLENGTH 1000
ACQUIRE:MODE SAMPLE

```

```

ACQUIRE:STOPAFTER SEQUENCE
/* Enable the status registers */
DESE 1
*ESE 1
*SRE 32
/* Acquire waveform data */
ACQUIRE:STATE ON
/* Set up the measurement parameters */
MEASUREMENT:IMMED:TYPE AMPLITUDE
MEASUREMENT:IMMED:SOURCE CH1
/* wait until the acquisition is complete before taking the
measurement*/
*OPC

```

The program can now do different tasks such as talk to other devices. The SRQ, when it comes, interrupts those tasks and returns control to this task.

```

/* Take amplitude measurement */
MEASUREMENT:IMMED:VALUE?

```

Example of Using the *OPC? Query

The *OPC? query places a 1 in the Output Queue once an operation that generates an OPC message is complete. The *OPC? query does not return until all pending OPC operations have completed. Therefore, your time-out must be set to a time at least as long as the longest expected time for the operations to complete.

The same command sequence using the *OPC? query for synchronization looks like this:

```

/* Set up single sequence acquisition */
ACQUIRE:STATE OFF
SELECT:CH1 ON
HORIZONTAL:RECORDLENGTH 1000
ACQUIRE:MODE SAMPLE
ACQUIRE:STOPAFTER SEQUENCE
/* Acquire waveform data */
ACQUIRE:STATE ON
/* Set up the measurement parameters */
MEASUREMENT:IMMED:TYPE AMPLITUDE
MEASUREMENT:IMMED:SOURCE CH1
/* wait until the acquisition is complete before taking the
measurement*/
*OPC?

```

Wait for read from Output Queue.

```

/* Take amplitude measurement */
MEASUREMENT:IMMED:VALUE?

```

This is the simplest approach. It requires no status handling or loops. However, you must set the controller time-out for longer than the acquisition operation.

Example of Using the *WAI Command

The *WAI command forces completion of previous commands that generate an OPC message. No commands after the *WAI are processed before the OPC message(s) are generated

The same command sequence using the *WAI command for synchronization looks like this:

```
/* Set up conditional acquisition */
ACQUIRE:STATE OFF
SELECT:CH1 ON
HORIZONTAL:RECORDLENGTH 1000
ACQUIRE:MODE SAMPLE
ACQUIRE:STOPAFTER SEQUENCE
/* Acquire waveform data */
ACQUIRE:STATE ON
/* Set up the measurement parameters */
MEASUREMENT:IMMED:TYPE AMPLITUDE
MEASUREMENT:IMMED:SOURCE CH1
/* wait until the acquisition is complete before taking
the measurement*/
*/
*WAI
/* Take amplitude measurement */
MEASUREMENT:IMMED:VALUE?
```

The controller can continue to write commands to the input buffer of the oscilloscope, but the commands will not be processed by the oscilloscope until all in-process OPC operations are complete. If the input buffer becomes full, the controller will be unable to write commands to the buffer. This can cause a time-out.

Example of Using the BUSY? Query

The BUSY? query allows you to find out whether the oscilloscope is busy processing a command that has an extended processing time such as single-sequence acquisition.

The same command sequence, using the BUSY? query for synchronization, looks like this:

```
/* Set up conditional acquisition */
ACQUIRE:STATE OFF
SELECT:CH1 ON
HORIZONTAL:RECORDLENGTH 1000
ACQUIRE:MODE SAMPLE
ACQUIRE:STOPAFTER SEQUENCE
/* Acquire waveform data */
ACQUIRE:STATE ON
/* Set up the measurement parameters */
MEASUREMENT:IMMED:TYPE AMPLITUDE
MEASUREMENT:IMMED:SOURCE CH1
```

```

/* wait until the acquisition is complete before taking
the measurement */
while BUSY? keep looping
/* Take amplitude measurement */
MEASUREMENT:IMMED:VALUE?

```

This sequence lets you create your own wait loop rather than using the *WAI command. The BUSY? query helps you avoid time-outs caused by writing too many commands to the input buffer. The controller is still tied up though, and the repeated BUSY? query will result in bus traffic.

Messages

The information contained in the topics above covers all the programming interface messages the oscilloscope generates in response to commands and queries.

For most messages, a secondary message from the oscilloscope gives detail about the cause of the error or the meaning of the message. This message is part of the message string and is separated from the main message by a semicolon.

Each message is the result of an event. Each type of event sets a specific bit in the SESR and is controlled by the equivalent bit in the DESER. Thus, each message is associated with a specific SESR bit. In the message tables, the associated SESR bit is specified in the table title, with exceptions noted with the error message text.

No Event

The following table shows the messages when the system has no events or status to report. These have no associated SESR bit.

Table 3-4: No Event Messages

Code	Message
0	No events to report; queue empty
1	No events to report; new events pending *ESR?

Command Error

The following table shows the command error messages generated by improper syntax. Check that the command is properly formed and that it follows the rules in the section on command Syntax.

Table 3-5: Command Error Messages (CME Bit 5)

Code	Message
100	Command error
101	Invalid character
102	Syntax error
103	Invalid separator
104	Data type error

Table 3-5: Command Error Messages (CME Bit 5) (cont.)

Code	Message
105	GET not allowed
108	Parameter not allowed
109	Missing parameter
110	Command header error
112	Program mnemonic too long
113	Undefined header
120	Numeric data error
121	Invalid character in numeric
123	Exponent too large
124	Too many digits
130	Suffix error
131	Invalid suffix
134	Suffix too long
140	Character data error
141	Invalid character data
144	Character data too long
150	String data error
151	Invalid string data
152	String data too long
160	Block data error
161	Invalid block data
170	Command expression error
171	Invalid expression

Execution Error

The following table lists the execution errors that are detected during execution of a command.

Table 3-6: Execution Error Messages (EXE Bit 4)

Code	Message
200	Execution error
221	Settings conflict
222	Data out of range
224	Illegal parameter value
241	Hardware missing
250	Mass storage error
251	Missing mass storage

Table 3-6: Execution Error Messages (EXE Bit 4) (cont.)

Code	Message
252	Missing media
253	Corrupt media
254	Media full
255	Directory full
256	File name not found
257	File name error
258	Media protected
259	File name too long
270	Hardcopy error
271	Hardcopy device not responding
272	Hardcopy is busy
273	Hardcopy aborted
274	Hardcopy configuration error
280	Program error
282	Insufficient network printer information
283	Network printer not responding
284	Network printer server not responding
286	Program runtime error
287	Print server not found
2200	Measurement error, Measurement system error
2201	Measurement error, Zero period
2202	Measurement error, No period, second waveform
2203	Measurement error, No period, second waveform
2204	Measurement error, Low amplitude, second waveform
2205	Measurement error, Low amplitude, second waveform
2206	Measurement error, Invalid gate
2207	Measurement error, Measurement overflow
2208	Measurement error, No backwards Mid Ref crossing
2209	Measurement error, No second Mid Ref crossing
2210	Measurement error, No Mid Ref crossing, second waveform
2211	Measurement error, No backwards Mid Ref crossing
2212	Measurement error, No negative crossing
2213	Measurement error, No positive crossing
2214	Measurement error, No crossing, target waveform
2215	Measurement error, No crossing, second waveform
2216	Measurement error, No crossing, target waveform
2217	Measurement error, Constant waveform

Table 3-6: Execution Error Messages (EXE Bit 4) (cont.)

Code	Message
2219	Measurement error, No valid edge - No arm sample
2220	Measurement error, No valid edge - No arm cross
2221	Measurement error, No valid edge - No trigger cross
2222	Measurement error, No valid edge - No second cross
2223	Measurement error, Waveform mismatch
2224	Measurement error, WAIT calculating
2225	Measurement error, No waveform to measure
2226	Measurement error, Null Waveform
2227	Measurement error, Positive and Negative Clipping
2228	Measurement error, Positive Clipping
2229	Measurement error, Negative Clipping
2230	Measurement error, High Ref < Low Ref
2231	Measurement error, No statistics available
2233	Requested waveform is temporarily unavailable
2235	Math error, invalid math description
2240	Invalid password
2241	Waveform requested is invalid
2244	Source waveform is not active
2245	Saveref error, selected channel is turned off
2250	Reference error, the reference waveform file is invalid
2253	Reference error, too many points received
2254	Reference error, too few points received
2259	File too big
2270	Alias error
2271	Alias syntax error
2273	Illegal alias label
2276	Alias expansion error
2277	Alias redefinition not allowed
2278	Alias header not found
2285	TekSecure(R) Pass
2286	TekSecure(R) Fail
2500	Setup error, file does not look like a setup file
2501	Setup warning, could not recall all values from external setup
2620	Mask error, too few points received
2760	Mark limit reached
2761	No mark present
2762	Search copy failed

Device Error The following table lists the device errors that can occur during oscilloscope operation. These errors may indicate that the oscilloscope needs repair.

Table 3-7: Device Error Messages (DDE Bit 3)

Code	Message
310	System error
311	Memory error
312	PUD memory lost
314	Save/recall memory lost

System Event The following table lists the system event messages. These messages are generated whenever certain system conditions occur.

Table 3-8: System Event Messages

Code	Message
400	Query event
401	Power on (PON bit 7 set)
402	Operation complete (OPC bit 0 set)
403	User request (URQ bit 6 set)
404	Power fail (DDE bit 3 set)
405	Request control
410	Query INTERRUPTED (QYE bit 2 set)
420	Query UNTERMINATED (QYE bit 2 set)
430	Query DEADLOCKED (QYE bit 2 set)
440	Query UNTERMINATED after indefinite response (QYE bit 2 set)
468	Knob/Keypad value changed
472	Application variable changed

Execution Warning The following table lists warning messages that do not interrupt the flow of command execution. They also notify you of possible unexpected results.

Table 3-9: Execution Warning Messages (EXE Bit 4)

Code	Message
528	Parameter out of range
532	Curve data too long, Curve truncated
533	Curve error, Preamble values are inconsistent
540	Measurement warning, Uncertain edge
541	Measurement warning, Low signal amplitude
542	Measurement warning, Unstable histogram

Table 3-9: Execution Warning Messages (EXE Bit 4) (cont.)

Code	Message
543	Measurement warning, Low resolution
544	Measurement warning, Uncertain edge
545	Measurement warning, Invalid in minmax
546	Measurement warning, Need 3 edges
547	Measurement warning, Clipping positive/negative
548	Measurement warning, Clipping positive
549	Measurement warning, Clipping negative

Table 3-10: Execution Warning Messages (EXE Bit 4)

Code	Message
540	Measurement warning
541	Measurement warning, Low signal amplitude
542	Measurement warning, Unstable histogram
543	Measurement warning, Low resolution
544	Measurement warning, Uncertain edge
545	Measurement warning, Invalid min max
546	Measurement warning, Need 3 edges
547	Measurement warning, Clipping positive/negative
548	Measurement warning, Clipping positive
549	Measurement warning, Clipping negative

Internal Warning

The following table shows internal errors that indicate an internal fault in the oscilloscope.

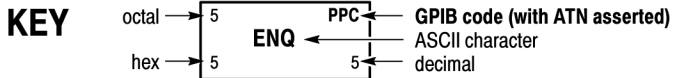
Table 3-11: Internal Warning Messages

Code	Message
630	Internal warning, 50Ω overload

Appendices

Appendix A: Character Set

B7 B6 B5 BITS B4 B3 B2 B1	0 0		0 0 1		0 1 0		0 1 1		1 0 0		1 0 1		1 1 0		1 1 1	
	CONTROL				NUMBERS SYMBOLS				UPPER CASE				LOWER CASE			
0 0 0 0	0	NUL	20	DLE	40	SP	60	0	100	@	120	P	140	,	160	p
0 0 0 1	1	GTL SOH	21	LL0 DC1	41	!	61	1	101	A	121	Q	141	a	161	q
0 0 1 0	2	STX	22	DC2	42	"	62	2	102	B	122	R	142	b	162	r
0 0 1 1	3	ETX	23	DC3	43	#	63	3	103	C	123	S	143	c	163	s
0 1 0 0	4	SDC EOT	24	DCL DC4	44	\$	64	4	104	D	124	T	144	d	164	t
0 1 0 1	5	PPC ENQ	25	PPU NAK	45	%	65	5	105	E	125	U	145	e	165	u
0 1 1 0	6	ACK	26	SYN	46	&	66	6	106	F	126	V	146	f	166	v
0 1 1 1	7	BEL	27	ETB	47	'	67	7	107	G	127	W	147	g	167	w
1 0 0 0	10	GET BS	30	SPE CAN	50	(70	8	110	H	130	X	150	h	170	x
1 0 0 1	11	TCT HT	31	SPD EM	51)	71	9	111	I	131	Y	151	i	171	y
1 0 1 0	12	LF	32	SUB	52	*	72	:	112	J	132	Z	152	j	172	z
1 0 1 1	13	VT	33	ESC	53	+	73	;	113	K	133	[153	k	173	{
1 1 0 0	14	FF	34	FS	54	,	74	<	114	L	134	\	154	l	174	!
1 1 0 1	15	CR	35	GS	55	-	75	=	115	M	135]	155	m	175	}
1 1 1 0	16	SO	36	RS	56	.	76	>	116	N	136	^	156	n	176	~
1 1 1 1	17	SI	37	US	57	/	77	?	117	O	137	_	157	o	177	RUBOUT (DEL)
	ADDRESSED COMMANDS		UNIVERSAL COMMANDS		LISTEN ADDRESSES				TALK ADDRESSES				SECONDARY ADDRESSES OR COMMANDS			



Tektronix
 REF: ANSI STD X3.4-1977
 IEEE STD 488.1-1987
 ISO STD 646-2973

Appendix B: Reserved Words

This is a list of reserved words for your instrument. Capital letters identify the required minimum spelling.

*CAL	ADVTRIG	B3	CALCmethod
*CLS	ADVanced	B4	CALIBRATABLE
*DDT	ALIAS	BACKlight	CALibrate
*ESE	ALIAS[BACKwards	CAN
*ESR	ALL	BANDwidth	CANH
*IDN	ALLEv	BASE	CANL
*LRN	ALLFields	BASic	CARD
*OPC	ALLLines	BCR	CAREa
*PSC	ALLQString	BDIFFBP	CATalog
*PUD	ALTERNATE<lt;x>	BILEvelcustom	CENTER
*RCL	ALWAYS	BINary	CENTERFREquency
*RST	AMPLITUDE	BIT	CH1
*SAV	AMPLitude	BITDelay	CH2
*SRE	AMPSVIAVOLTS	BITOrder	CH3
*STB	AMPitude	BITRate	CH4
*TRG	ANALOG	BITSTUFFing	CHANBW
*TST	ANALog	BIT_Nr	CHANSPacing
*WAI	AND	BIT<lt;x>	CHANnel
0	ANY	BLAckmanharris	Channe1
1	APPKey	BLOCKHEX	CHecksum
2	APPLication	BM	CH<lt;x>
3	APPLications	BMP	CLASSALIMit
7	APPpwr	BN_Fmt	CLASs
8	AREa	BOTH	CLEAR
9	ASCIi	BOX	CLEARMenu
A	ASCIi	BOXPcnt	CLEARSNapshot
ABORT	ASCIi	BULK	CLEAr
ABSolute	ASSign	BURst	CLIPPING
AC	ATRIGger	BUS	CLOCKCoax
ACK	AUDIO	BUS1	CLOCKSymmetrical
ACKMISS	AUDio	BUS2	CLOCK
ACKMISSERROR	AUTO	BUS3	CMEan
ACKnum	AUTOSet	BUS4	COLUMN
ACPR	AUTOZero	BUSWAVEFORMS	COMMAND
ACQ	AUTOmatic	BUSY	COMPLetion
ACQLENGTH	AUX	BUS<lt;x>	CONDALCmethod
ACQuire	AUXIN	BUSwiththeappropriateapplicationmoduleinstalled	CONDition
ACTIVEprinter	AUXOut	BY	CONDUction
ADD	AUXin	BYPass	CONFIGuration
ADDR10	AUXout	BYT_Nr	CONFigure
ADDR7	AVAILable	BYT_Or	CONTRol
ADDRANDDATA	AVERage	Block	CONTRol
ADDRESS	Auto	B<lt;x>	COPYACTIVE
ADDRESS	B	C1	COPY
ADJACENTPAIRS	B1	C2	COUNT
ADVMATH	B2	C3	COUPLing

CP	DBMA	DS2RATECoax	EVMsg
CPU	DBMV	DS2RATESymmetrical	EVQty
CR	DBUA	DS3	EXCURsion
CRC	DBUV	DS3Rate	EXECute
CRC16	DBUW	DS4NA	EXT
CRC5	DC	DS4XNA	EXTVIDEO
CRCHheader	DDT	DSOContra	EXTended
CRCTrailer	DECimal	DSODouble	EXTernal
CREATE	DEFLT	DSOSingle	EnumNR3NR3NR3NR3NR3NR3NR3
CREATEmask	DEFault	DSOTiming	FACTOR
CRITERion	DEFine	DUAL	FACTory
CRMS	DEGAUss	DYNAMIC	FAIL
CROSSHair	DEGrees	Dlt;x>	FAILURES
CSPLIT	DELEte	E	FAILURE
CURRENTSource	DELEte[E1Coax	FAILures
CURRENT	DELIMiter	E1Symmetrical	FALL
CURSor	DELTA	E2	FALSE
CURSors	DELTAtime	E3	FALLing
CURVE	DELay	ECL	FASTPHOTO
CURRENT	DELeTe	EDGE	FASTer
CURSor	DELta	EDGElt;x>	FAStest
CUSTOM	DEMOlt;x>	EDGE	FCSError
CWD	DESE	EEPROM	FFT
CYCLEcount	DESKew	EITHER	FIELD
D	DESTination	ENABle	FIFTy
D0	DESTinationaddr	ENABle	FILEFormat
D1	DESTinationport	ENCdg	FILESystem
D10	DESkew	END	FILTer
D11	DETECTIONmethod	ENDPoint	FINE
D12	DHCPbootp	ENERGY	FIRSt
D13	DIAG	ENERGYLoss	FIVEDivs
D14	DIFFerential	ENET	FIXEDFREQValue
D15	DIGITAL	ENET100BASETX	FIXEDFREQUENCY
D2	DIGital	ENET10BASET	FLATtop
D3	DIR	ENGLISH	FLAG
D4	DIRection	ENV	FLEXRAY
D5	DISPlay	ENVELOpe	FLEXRay
D6	DISabled	EOF	FLEXray
D7	DISPlay	EOFTYPE	FOCUS
D8	DISPlaymode	EOP	FOLder
D9	DMINus	EQuAl	FORCEDRange
DATA	DNS	ERROR	FORCe
DATA0	DOMAINname	ERRTYPE	FORMat
DATA1	DOMain	ERRlog	FORwards
DATABits	DOTsonly	ERRor	FP
DATAPacket	DPLUS	ESCOPEENABle	FPAnel
DATE	DRAFT	ET	FPbinary
DATEPrint	DRIVE	ETHERNET	FRAME
DATa	DS1	ETHERnet	FRAMEID
DAl1	DS1A	EVEN	FRAMESync
DB	DS1C	EVENT	FRAMETYPE
DBCA	DS1Rate	EVENTS	FRAMEType
DBM	DS2	EVENTtable	FRAMETypeid

FRAMetype	HD1080P60	IDentifier	LABel
FRAMING	HD1080SF24	IEC	LAN
FRAMetime	HD480P60	IECMAX	LANGuage
FRAMe	HD576P50	IMAGESize	LANDscape
FREE	HD720P30	IMAGe	LARGe
FREEspace	HD720P50	IMAge	LAYout
FREErun	HD720P60	IMMed	LDIR
FRENch	HD875I60	IMPedance	LEFT
FREQREFerence	HDR	IN	LENGth
FREQRef	HEADER	IN2P5BY3P25	LESSEQual
FREQuency	HEADer	IN4BY6	LESSLimit
FULL	HEADertime	IN8BY10	LESSthan
FULLSpeed	HEIght	INDBits	LEVel
FULl	HERtz	INDICators	LF
FUNcTion	HEXadecimal	INDIVidual	LFRej
FUNDamental	HFRej	INDEpendent	LICENSE
G703DS1	HIGH	INFINite	LIMITMask
G703DS3	HIGHLimit	INIT	LIMITS
GAIN	HIRes	INITialize	LIMit
GATEMid	HISTOGRAM	INKSaver	LIN
GATESource	HIStogram	INPUTPower	LINE
GATEWay	HITS	INPut	LINEAR
GATING	HIVALue	INSTR	LINEFREQuency
GATE	HOLD	INTENSITY	LINEPeriod
GATING	HOLDTime	INTERLaced	LINEar
GENeralcall	HOLDoff	INTERNa]l	LIST
GERMan	HORZl<t;x>	INTERRUPT	LJ
GNDCLPG	HORizontal	INTERna]l	LOCation
GPiBUSb	HORizontal[INVERTed	LOCK
GRaph	HPOS<t;x>	INVert	LOG
GRaticule	HS	INVerted	LOGIC
GRId	HSCALE	INrange	LOGic
GRouping	HST1	IO	LOGic
HAGAKIPCARD	HST2	IPADDRESS	LOOP
HAGAKIPcard	HST3	IPHeader	LOW
HALFgrat	HST4	IPV4	LOWCurrent
HAMming	HST5	IRMS	LOWERFreq
HANDSHAKEPacket	HST6	ISCLOCKed	LOWLimit
HANDSHAKEType	HSmode	ISOALL	LOWSpeed
HANning	HTRIGPOS	ISOEND	LOWVo]ltage
HARDCopy	HTTpport	ISOMID	LOWerthreshold
HARM3ALternate	HUB	ISOSTART	LSB
HARM5ALternate	HYSTEResis	ISOchronous	LXI
HARMSOURce	I2C	ITALian	MAC
HARMonics	I2S	JAPANese	MACADDRESS
HAR<t;1-400>	ICRESTfactor	KAISer	MACLEngth
HBArS	ID	L	MAG
HD1080I50	IDANDDATA	L2	MAGNIVU
HD1080I60	IDFormat	L4	MAGnivU
HD1080P24	IDLETime	LA1DB	MAIn
HD1080P25	IDLEtime	LA2DB	MAIn]
HD1080P30	IDLe	LA3DB	MANCHester
HD1080P50	IDPrint	LABEL	MANua]l

MARK	MSB	NUMREFS	PLAIN
MARKER	M<lt;x>	NUMSLICES	PLOTTYPE
MARKSINCOLUMN	NAK	NUMVERT	PLUSPEAK
MARGIN	NAME	NWIDTH	PNG
MASK	NAME]	OBSPERIOD	POHC
MASK<lt;x>	NAND	OBW	POHCLIMIT
MATH	NDUTY	OCCURS	POHL
MATH1	NEDGEcount	ODD	POINTS
MATHVAR	NEGATIVE	OFF	POLARCord
MATH[1]	NETWORKCONFIg	OFFSet	POLAR
MAX	NETWORKDRIVES	ON	POLARity
MAXAmps	NEWpass	ONCE	PORT
MAXBANDwidth	NEXT	ONE	PORTrait
MAXBytedelim	NEXt	ONFAIL	PORTUGuese
MAXSAMPLERate	NO	OPTION	POSITION<lt;x>
MAXSamplerate	NOCARE	OR	POSITION
MAXVolts	NOISEDensity	OTHER	POSITIVE
MAXWatts	NOISEREj	OUT	POVershoot
MAXimum	NONE	OUTrange	POWERFACTOR
ME	NOPARity	OUTside	POWERFACTOR
MEAN	NOR	OVERLoad	POWERLEVel
MEAS	NORMAL	OWNer	POWERLoss
MEASURE	NORMAL	PACKET	Power
MEASUREMENT	NOTCOMPUted	PAL	POWERupstatus
MEAS<lt;x>	NOVershoot	PAPERSize	PPULSECount
MEASx	NPULSECount	PAPERType	PRESS
MEDIum	NR1	PARALLEL	PREVIEW
MEG	NR1RANGESL21000	PARAllel	PREVIEWstate
MESSAGE	NR2NR2NR2NR2	PARity	PREVIOUS
METHOD	NR3	PASS	PREAmble
MID<lt;x>	NR3NR3NR3NR3	PASSFail	PRINTQual
MIL	NR3RANGESD001000	PASSWord	PRINTER
MIL1553B	NR3RANGESD1e61E6	PATtern	PRODELta
MIN	NRMAL	PAUSE	PRODUCT
MINIMUM	NR_HARMONICS	PAYLength	PRODUCTID
MINMax	NR_Pt	PAYLoad	PRODUCT
MINUSPEAK	NTIMES	PDUTY	PROGRESSIVE
MINimum	NTIMES	PEAK	PROPDELAY
MISO	NTSC	PEAKdetect	PROTOCOL
MISOMOSI	NULL	PEDGECount	PROTOCOL
MIXED2	NULLFRDynamic	PERCENTdown	PROBE
MIXed	NULLFRStatic	PERCENT	PT_Fmt
MKDir	NULl	PERIOD	PT_ORDER
MM100BY150	NUMACq	PERSistence	PT_Off
MM54BY86	NUMAVg	PERcent	PULSEwidth
MODE	NUMBUS	PHASEnoise	PULSE
MODEl	NUMCHANnels	PHASEangle	PULSE
MODulation	NUMCYCles	PHASE	PWIDth
MOREEqual	NUMENTries	PHOTO	QString
MORELimit	NUMERIC	PICTBridge	QStringQString
MOREthan	NUMENV	PID	QStringREFx
MOSI	NUMHORZ	PING	QTAG
MOUNT	NUMMEAS	PK2Pk	QTY

QUALifier	RF	SEconds	SPECTRUMMode
QUALity	RF_AMPlitude	SEGl<x>	SPECTRogram
Qstring	RF_AVErage	SELEctED	SPECTRal
R1	RF_FD	SElect	SPI
R2	RF_FREQuency	SElected	SPLit
R3	RF_MAXHold	SEQnum	SPREADSheet
R4	RF_MINHold	SEQuence	SPace
RADIUS	RF_NORMal	SERIALnumber	SQUELCH
RADIUS<x>	RF_PHASE	SERVICENAME	SRIBinary
RATDELta	RF_TD	SERnumber	SRPbinary
RATIO	RI	SET	SRQ
RATIO	RIBinary	SETALLtorec	SS
RBW	RIGht	SETHold	SSPLIT
RDELta	RIPPlE	SETLevel	STALL
RDSon	RISEfall	SETTODEfaults	STANDARD
REACTpwr	RISe	SETtime	STANDARD
READ	RISing	SETUP	START
READFile	RJ	SETUP<x>	STARTofframe
READOUT	RMDir	SETUp	STARTUp
RECAll	RMS	SFD	STARTUpnosync
RECDESkew	ROM	SFPbinary	START
RECLENS	ROSC	SHOW	STARTbyte
RECOrdlength	ROSc	SIGNEDDECimal	STATE
RECTX<x>	RP	SIGnal	STATE]
RECTY<x>	RPBinary	SINGLEended	STATIStics
RECTangular	RS232C	SIZE	STATic
REF	RUN	SLEEP	STATus
REF1	RUNSTop	SLEWRate	STAYSHigh
REF2	RUNT	SLICESElect	STAYSLow
REF3	RUNt	SLOT<x>	STDdev
REF4	RWINClude	SLOWer	STOP
REFERENCE	RX	SLOpe	STOPAfter
REFLevel	RXDATA	SMAlL	STOPOnviol
REFLevel	RXENDPacket	SNAPShot	STOPOnviolation
REFOut	RXSTArt	SNap	STS1Eye
REFS	SAMPLERate	SOA	STS1Pulse
REF<x>	SAMPLEpoint	SOCKETServer	STS3
REFx	SAMplE	SOF	STSx3
REM	SAVEALL	SOFFRAMENUMber	STYle
REMOte	SAVEIMAGE	SOLid	STANDARD
REName	SAVEWFM	SOURCe	SUBAddress
REPEATstart	SAVe	SOURce	SUBNETMask
REPeat	SC	SOURce	SUBSF
RESERVed	SCAlE	SOURceaddr	SUSPEND
RESET	SCLk	SOURcel<x>	SWITCHingloss
RESOlution	SCREEN	SOURceport	SWLoss
RESPonsetime	SCREen	SPAN	SYNC
RESPTime	SDAta	SPANRbwratio	SYNCField
RESUME	SE	SPANish	SYNCFrame
RESUlT	SEARCH	SPC	SYNcInterval
RESistance	SEARCH<x>	SPECIALPacket	String
RESUlT	SEARCHtotrigger	SPECIALType	TABLE
RESUlTs	SECAM	SPECTRUM	TCPHeader

TDM	TRILevelcustom	VDELTA	XMAX
TEKSecure	TRUEpwr	VENDORID	XMIN
TEMPLate	TRUE	VERBOSE	XUNIT
TEMPerature	TTL	VERTAUTOset	XY
TERMinal	TURN	VERTDEFault	XZERO
TERMination	TURNON	VERTINVert	Y
TEST	TWEnty	VERTical	YDELta
TESTS	TWofifty	VERTlt;x>	YES
TESTnumber	TX	VIDeo	YMAX
TEST	TXDATA	VIOLATIONS	YMIN
TF	TXENDPacket	VOFFSet	YMULT
THDELta	TXRX	VOLTAGESource	YOFF
THDF	TXSTArt	VOLTage	YUNITs
THDR	TYPe	VOLTs	YUNIT
THETA	Than	VPOS	YUNITs
THETAlt;x>	UA1DB	VRMS	YZero
THReshold	UA2DB	VSCALE	ZERO
TIFf	UA3DB	WAKEup	ZOOMlt;x>
TIME	UNDo	WAVEFORMS	ZOOM
TIMEOut	UNEQua1	WAVEform	asccurve
TIME	UNITs	WAVFrm	bin
TOFF	UNLock	WEIGHTing	button
TOKENPacket	UNMOUNT	WFId	directorypath
TOKENType	UPPERFreq	WFMinpre	filepath
TOLerance	UPPerthreshold	WFOutpre	knobn
TON	USB	WFMTYPE	lt;function>
TOTAL	USBDevice	WHEN	name
TOTALuptime	USBTMC	WIDth	namenew_namenew_servernew_a
TOUSER	USBTmc	WINDow	nameserveraddress
TRACK	USE	WIThin	new
TRANSFER	USER	WORD	newworkingdirectorypath
TRANSITION	USERLIST	WORDSe1	oldfilepathnewfilepath
TRBit	V1X	WRITE	sourceQStringdestinationQSt
TRIGFrequency	V2X	WRITEFile	than
TRIGPOS	VALue	X	wfmQString
TRIGTOSAMP	VARlt;x>	X1Y1X2Y2	wfmREFX
TRIGger	VBArs	XDELta	
TRIGgered	VCEsat	XFF	
TRIGgertosearch	VCRESTfactor	XINcr	

Appendix C: Factory Defaults

Default Setup

The following table lists the default values for each command.

NOTE. Find the most up-to-date default values for your instrument and software by performing a TekSecure command, saving the instrument setup and looking at the instrument or setup file.

Table C-1: Default Values

Item	Description
ACQUIRE:MAGNIVU	0
ACQUIRE:MODE	SAMPLE
ACQUIRE:NUMAVG	16
ACQUIRE:NUMENV	INFINITE
ACQUIRE:STATE	1
ACQUIRE:STOPAFTER	RUNSTOP
ALIAS:STATE	0
APPLICATION:TYPE	POWER
AUXOUT:SOURCE	ATRIGGER
BUS:B1:AUDIO:BITDELAY	1
BUS:B1:AUDIO:BITORDER	MSB
BUS:B1:AUDIO:CHANNEL:SIZE	24
BUS:B1:AUDIO:CLOCK:POLARITY	RISE
BUS:B1:AUDIO:CLOCK:SOURCE	CH1
BUS:B1:AUDIO:DATA:POLARITY	NORMAL
BUS:B1:AUDIO:DATA:SIZE	24
BUS:B1:AUDIO:DISPLAY:FORMAT	SIGNEDDECIMAL
BUS:B1:AUDIO:FRAME:SIZE	8
BUS:B1:AUDIO:FRAMESYNC:POLARITY	RISE
BUS:B1:AUDIO:FRAMESYNC:SOURCE	CH2
BUS:B1:AUDIO:TYPE	I2S
BUS:B1:AUDIO:WORDSEL:POLARITY	NORMAL
BUS:B1:AUDIO:WORDSEL:SOURCE	CH2
BUS:B1:CAN:BITRATE	500000
BUS:B1:CAN:PROBE	CANH
BUS:B1:CAN:SAMPLEPOINT	50
BUS:B1:CAN:SOURCE	CH1

Table C-1: Default Values (cont.)

Item	Description
BUS:B1:DISPLAY:FORMAT	HEXADECIMAL
BUS:B1:DISPLAY:TYPE	BUS
BUS:B1:ETHERNET:PROBE	DIFFERENTIAL
BUS:B1:ETHERNET:PROTOCOL	IPV4
BUS:B1:ETHERNET:SOURCE:DIFFERENTIAL	CH1
BUS:B1:ETHERNET:SOURCE:DMINUS	CH2
BUS:B1:ETHERNET:SOURCE:DPLUS	CH1
BUS:B1:ETHERNET:TYPE	ENET100BASETX
BUS:B1:FLEXRAY:BITRATE	10000000
BUS:B1:FLEXRAY:CHANNEL	A
BUS:B1:FLEXRAY:SIGNAL	BDIFFBP
BUS:B1:FLEXRAY:SOURCE	CH1
BUS:B1:I2C:ADDRESS:RWINCLUDE	0
BUS:B1:I2C:CLOCK:SOURCE	CH1
BUS:B1:I2C:DATA:SOURCE	CH2
BUS:B1:LABEL	"Parallel"
BUS:B1:LIN:BITRATE	19200
BUS:B1:LIN:IDFORMAT	NOPARITY
BUS:B1:LIN:POLARITY	NORMAL
BUS:B1:LIN:SAMPLEPOINT	50
BUS:B1:LIN:SOURCE	CH1
BUS:B1:LIN:STANDARD	V2X
BUS:B1:MIL1553B:POLARITY	NORMAL
BUS:B1:MIL1553B:RESPONSETIME:MAXIMUM	12.0000E-6
BUS:B1:MIL1553B:RESPONSETIME:MINIMUM	4.0000E-6
BUS:B1:MIL1553B:SOURCE	CH1
BUS:B1:PARALLEL:BIT0:SOURCE	D0
BUS:B1:PARALLEL:BIT10:SOURCE	D10
BUS:B1:PARALLEL:BIT11:SOURCE	D11
BUS:B1:PARALLEL:BIT12:SOURCE	D12
BUS:B1:PARALLEL:BIT13:SOURCE	D13
BUS:B1:PARALLEL:BIT14:SOURCE	D14
BUS:B1:PARALLEL:BIT15:SOURCE	D15
BUS:B1:PARALLEL:BIT16:SOURCE	CH1
BUS:B1:PARALLEL:BIT17:SOURCE	CH2
BUS:B1:PARALLEL:BIT18:SOURCE	CH3
BUS:B1:PARALLEL:BIT19:SOURCE	CH4

Table C-1: Default Values (cont.)

Item	Description
BUS:B1:PARALLEL:BIT1:SOURCE	D1
BUS:B1:PARALLEL:BIT2:SOURCE	D2
BUS:B1:PARALLEL:BIT3:SOURCE	D3
BUS:B1:PARALLEL:BIT4:SOURCE	D4
BUS:B1:PARALLEL:BIT5:SOURCE	D5
BUS:B1:PARALLEL:BIT6:SOURCE	D6
BUS:B1:PARALLEL:BIT7:SOURCE	D7
BUS:B1:PARALLEL:BIT8:SOURCE	D8
BUS:B1:PARALLEL:BIT9:SOURCE	D9
BUS:B1:PARALLEL:CLOCK:EDGE	RISING
BUS:B1:PARALLEL:CLOCK:ISCLOCKED	NO
BUS:B1:PARALLEL:CLOCK:SOURCE	CH1
BUS:B1:PARALLEL:WIDTH	16
BUS:B1:POSITION	0.0E+0
BUS:B1:RS232C:BITRATE	9600
BUS:B1:RS232C:DATABITS	8
BUS:B1:RS232C:DELIMITER	LF
BUS:B1:RS232C:DISPLAYMODE	FRAME
BUS:B1:RS232C:PARITY	NONE
BUS:B1:RS232C:POLARITY	NORMAL
BUS:B1:RS232C:RX:SOURCE	OFF
BUS:B1:RS232C:TX:SOURCE	CH1
BUS:B1:SPI:BITORDER	MSB
BUS:B1:SPI:CLOCK:POLARITY	RISE
BUS:B1:SPI:CLOCK:SOURCE	CH1
BUS:B1:SPI:DATA:IN:POLARITY	HIGH
BUS:B1:SPI:DATA:IN:SOURCE	OFF
BUS:B1:SPI:DATA:OUT:POLARITY	HIGH
BUS:B1:SPI:DATA:OUT:SOURCE	CH3
BUS:B1:SPI:DATA:SIZE	8
BUS:B1:SPI:FRAMING	SS
BUS:B1:SPI:IDLETIME	5.0000E-6
BUS:B1:SPI:SELECT:POLARITY	LOW
BUS:B1:SPI:SELECT:SOURCE	CH2
BUS:B1:STATE	0
BUS:B1:TYPE	PARALLEL
BUS:B1:USB:BITRATE	FULL

Table C-1: Default Values (cont.)

Item	Description
BUS:B1:USB:PROBE	DIFFERENTIAL
BUS:B1:USB:SOURCE:DIFFERENTIAL	CH1
BUS:B1:USB:SOURCE:DMINUS	CH2
BUS:B1:USB:SOURCE:DPLUS	CH1
BUS:B2:AUDIO:BITDELAY	1
BUS:B2:AUDIO:BITORDER	MSB
BUS:B2:AUDIO:CHANNEL:SIZE	24
BUS:B2:AUDIO:CLOCK:POLARITY	RISE
BUS:B2:AUDIO:CLOCK:SOURCE	CH1
BUS:B2:AUDIO:DATA:POLARITY	NORMAL
BUS:B2:AUDIO:DATA:SIZE	24
BUS:B2:AUDIO:DISPLAY:FORMAT	SIGNEDDECIMAL
BUS:B2:AUDIO:FRAME:SIZE	8
BUS:B2:AUDIO:FRAMESYNC:POLARITY	RISE
BUS:B2:AUDIO:FRAMESYNC:SOURCE	CH2
BUS:B2:AUDIO:TYPE	I2S
BUS:B2:AUDIO:WORDSEL:POLARITY	NORMAL
BUS:B2:AUDIO:WORDSEL:SOURCE	CH2
BUS:B2:CAN:BITRATE	500000
BUS:B2:CAN:PROBE	CANH
BUS:B2:CAN:SAMPLEPOINT	50
BUS:B2:CAN:SOURCE	CH1
BUS:B2:DISPLAY:FORMAT	HEXADECIMAL
BUS:B2:DISPLAY:TYPE	BUS
BUS:B2:ETHERNET:PROBE	DIFFERENTIAL
BUS:B2:ETHERNET:PROTOCOL	IPV4
BUS:B2:ETHERNET:SOURCE:DIFFERENTIAL	CH1
BUS:B2:ETHERNET:SOURCE:DMINUS	CH2
BUS:B2:ETHERNET:SOURCE:DPLUS	CH1
BUS:B2:ETHERNET:TYPE	ENET100BASETX
BUS:B2:FLEXRAY:BITRATE	10000000
BUS:B2:FLEXRAY:CHANNEL	A
BUS:B2:FLEXRAY:SIGNAL	BDIFFBP
BUS:B2:FLEXRAY:SOURCE	CH1
BUS:B2:I2C:ADDRESS:RWINCLUDE	0
BUS:B2:I2C:CLOCK:SOURCE	CH1
BUS:B2:I2C:DATA:SOURCE	CH2

Table C-1: Default Values (cont.)

Item	Description
BUS:B2:LABEL	"Parallel"
BUS:B2:LIN:BITRATE	19200
BUS:B2:LIN:IDFORMAT	NOPARITY
BUS:B2:LIN:POLARITY	NORMAL
BUS:B2:LIN:SAMPLEPOINT	50
BUS:B2:LIN:SOURCE	CH1
BUS:B2:LIN:STANDARD	V2X
BUS:B2:MIL1553B:POLARITY	NORMAL
BUS:B2:MIL1553B:RESPONSETIME:MAXIMUM	12.0000E-6
BUS:B2:MIL1553B:RESPONSETIME:MINIMUM	4.0000E-6
BUS:B2:MIL1553B:SOURCE	CH1
BUS:B2:PARALLEL:BIT0:SOURCE	D0
BUS:B2:PARALLEL:BIT10:SOURCE	D10
BUS:B2:PARALLEL:BIT11:SOURCE	D11
BUS:B2:PARALLEL:BIT12:SOURCE	D12
BUS:B2:PARALLEL:BIT13:SOURCE	D13
BUS:B2:PARALLEL:BIT14:SOURCE	D14
BUS:B2:PARALLEL:BIT15:SOURCE	D15
BUS:B2:PARALLEL:BIT16:SOURCE	CH1
BUS:B2:PARALLEL:BIT17:SOURCE	CH2
BUS:B2:PARALLEL:BIT18:SOURCE	CH3
BUS:B2:PARALLEL:BIT19:SOURCE	CH4
BUS:B2:PARALLEL:BIT1:SOURCE	D1
BUS:B2:PARALLEL:BIT2:SOURCE	D2
BUS:B2:PARALLEL:BIT3:SOURCE	D3
BUS:B2:PARALLEL:BIT4:SOURCE	D4
BUS:B2:PARALLEL:BIT5:SOURCE	D5
BUS:B2:PARALLEL:BIT6:SOURCE	D6
BUS:B2:PARALLEL:BIT7:SOURCE	D7
BUS:B2:PARALLEL:BIT8:SOURCE	D8
BUS:B2:PARALLEL:BIT9:SOURCE	D9
BUS:B2:PARALLEL:CLOCK:EDGE	RISING
BUS:B2:PARALLEL:CLOCK:ISCLOCKED	NO
BUS:B2:PARALLEL:CLOCK:SOURCE	CH1
BUS:B2:PARALLEL:WIDTH	16
BUS:B2:POSITION	0.0E+0
BUS:B2:RS232C:BITRATE	9600

Table C-1: Default Values (cont.)

Item	Description
BUS:B2:RS232C:DATABITS	8
BUS:B2:RS232C:DELIMITER	LF
BUS:B2:RS232C:DISPLAYMODE	FRAME
BUS:B2:RS232C:PARITY	NONE
BUS:B2:RS232C:POLARITY	NORMAL
BUS:B2:RS232C:RX:SOURCE	OFF
BUS:B2:RS232C:TX:SOURCE	CH1
BUS:B2:SPI:BITORDER	MSB
BUS:B2:SPI:CLOCK:POLARITY	RISE
BUS:B2:SPI:CLOCK:SOURCE	CH1
BUS:B2:SPI:DATA:IN:POLARITY	HIGH
BUS:B2:SPI:DATA:IN:SOURCE	OFF
BUS:B2:SPI:DATA:OUT:POLARITY	HIGH
BUS:B2:SPI:DATA:OUT:SOURCE	CH3
BUS:B2:SPI:DATA:SIZE	8
BUS:B2:SPI:FRAMING	SS
BUS:B2:SPI:IDLETIME	5.0000E-6
BUS:B2:SPI:SELECT:POLARITY	LOW
BUS:B2:SPI:SELECT:SOURCE	CH2
BUS:B2:STATE	0
BUS:B2:TYPE	PARALLEL
BUS:B2:USB:BITRATE	FULL
BUS:B2:USB:PROBE	DIFFERENTIAL
BUS:B2:USB:SOURCE:DIFFERENTIAL	CH1
BUS:B2:USB:SOURCE:DMINUS	CH2
BUS:B2:USB:SOURCE:DPLUS	CH1
BUS:B3:AUDIO:BITDELAY	1
BUS:B3:AUDIO:BITORDER	MSB
BUS:B3:AUDIO:CHANNEL:SIZE	24
BUS:B3:AUDIO:CLOCK:POLARITY	RISE
BUS:B3:AUDIO:CLOCK:SOURCE	CH1
BUS:B3:AUDIO:DATA:POLARITY	NORMAL
BUS:B3:AUDIO:DATA:SIZE	24
BUS:B3:AUDIO:DISPLAY:FORMAT	SIGNEDDECIMAL
BUS:B3:AUDIO:FRAME:SIZE	8
BUS:B3:AUDIO:FRAMESYNC:POLARITY	RISE
BUS:B3:AUDIO:FRAMESYNC:SOURCE	CH2

Table C-1: Default Values (cont.)

Item	Description
BUS:B3:AUDIO:TYPE	I2S
BUS:B3:AUDIO:WORDSEL:POLARITY	NORMAL
BUS:B3:AUDIO:WORDSEL:SOURCE	CH2
BUS:B3:CAN:BITRATE	500000
BUS:B3:CAN:PROBE	CANH
BUS:B3:CAN:SAMPLEPOINT	50
BUS:B3:CAN:SOURCE	CH1
BUS:B3:DISPLAY:FORMAT	HEXADECIMAL
BUS:B3:DISPLAY:TYPE	BUS
BUS:B3:ETHERNET:PROBE	DIFFERENTIAL
BUS:B3:ETHERNET:PROTOCOL	IPV4
BUS:B3:ETHERNET:SOURCE:DIFFERENTIAL	CH1
BUS:B3:ETHERNET:SOURCE:DMINUS	CH2
BUS:B3:ETHERNET:SOURCE:DPLUS	CH1
BUS:B3:ETHERNET:TYPE	ENET100BASETX
BUS:B3:FLEXRAY:BITRATE	10000000
BUS:B3:FLEXRAY:CHANNEL	A
BUS:B3:FLEXRAY:SIGNAL	BDIFFBP
BUS:B3:FLEXRAY:SOURCE	CH1
BUS:B3:I2C:ADDRESS:RWINCLUDE	0
BUS:B3:I2C:CLOCK:SOURCE	CH1
BUS:B3:I2C:DATA:SOURCE	CH2
BUS:B3:LABEL	"Parallel"
BUS:B3:LIN:BITRATE	19200
BUS:B3:LIN:IDFORMAT	NOPARITY
BUS:B3:LIN:POLARITY	NORMAL
BUS:B3:LIN:SAMPLEPOINT	50
BUS:B3:LIN:SOURCE	CH1
BUS:B3:LIN:STANDARD	V2X
BUS:B3:MIL1553B:POLARITY	NORMAL
BUS:B3:MIL1553B:RESPONSETIME:MAXIMUM	12.0000E-6
BUS:B3:MIL1553B:RESPONSETIME:MINIMUM	4.0000E-6
BUS:B3:MIL1553B:SOURCE	CH1
BUS:B3:PARALLEL:BIT0:SOURCE	D0
BUS:B3:PARALLEL:BIT10:SOURCE	D10
BUS:B3:PARALLEL:BIT11:SOURCE	D11
BUS:B3:PARALLEL:BIT12:SOURCE	D12

Table C-1: Default Values (cont.)

Item	Description
BUS:B3:PARALLEL:BIT13:SOURCE	D13
BUS:B3:PARALLEL:BIT14:SOURCE	D14
BUS:B3:PARALLEL:BIT15:SOURCE	D15
BUS:B3:PARALLEL:BIT16:SOURCE	CH1
BUS:B3:PARALLEL:BIT17:SOURCE	CH2
BUS:B3:PARALLEL:BIT18:SOURCE	CH3
BUS:B3:PARALLEL:BIT19:SOURCE	CH4
BUS:B3:PARALLEL:BIT1:SOURCE	D1
BUS:B3:PARALLEL:BIT2:SOURCE	D2
BUS:B3:PARALLEL:BIT3:SOURCE	D3
BUS:B3:PARALLEL:BIT4:SOURCE	D4
BUS:B3:PARALLEL:BIT5:SOURCE	D5
BUS:B3:PARALLEL:BIT6:SOURCE	D6
BUS:B3:PARALLEL:BIT7:SOURCE	D7
BUS:B3:PARALLEL:BIT8:SOURCE	D8
BUS:B3:PARALLEL:BIT9:SOURCE	D9
BUS:B3:PARALLEL:CLOCK:EDGE	RISING
BUS:B3:PARALLEL:CLOCK:ISCLOCKED	NO
BUS:B3:PARALLEL:CLOCK:SOURCE	CH1
BUS:B3:PARALLEL:WIDTH	16
BUS:B3:POSITION	0.0E+0
BUS:B3:RS232C:BITRATE	9600
BUS:B3:RS232C:DATABITS	8
BUS:B3:RS232C:DELIMITER	LF
BUS:B3:RS232C:DISPLAYMODE	FRAME
BUS:B3:RS232C:PARITY	NONE
BUS:B3:RS232C:POLARITY	NORMAL
BUS:B3:RS232C:RX:SOURCE	OFF
BUS:B3:RS232C:TX:SOURCE	CH1
BUS:B3:SPI:BITORDER	MSB
BUS:B3:SPI:CLOCK:POLARITY	RISE
BUS:B3:SPI:CLOCK:SOURCE	CH1
BUS:B3:SPI:DATA:IN:POLARITY	HIGH
BUS:B3:SPI:DATA:IN:SOURCE	OFF
BUS:B3:SPI:DATA:OUT:POLARITY	HIGH
BUS:B3:SPI:DATA:OUT:SOURCE	CH3
BUS:B3:SPI:DATA:SIZE	8

Table C-1: Default Values (cont.)

Item	Description
BUS:B3:SPI:FRAMING	SS
BUS:B3:SPI:IDLETIME	5.0000E-6
BUS:B3:SPI:SELECT:POLARITY	LOW
BUS:B3:SPI:SELECT:SOURCE	CH2
BUS:B3:STATE	0
BUS:B3:TYPE	PARALLEL
BUS:B3:USB:BITRATE	FULL
BUS:B3:USB:PROBE	DIFFERENTIAL
BUS:B3:USB:SOURCE:DIFFERENTIAL	CH1
BUS:B3:USB:SOURCE:DMINUS	CH2
BUS:B3:USB:SOURCE:DPLUS	CH1
BUS:B4:AUDIO:BITDELAY	1
BUS:B4:AUDIO:BITORDER	MSB
BUS:B4:AUDIO:CHANNEL:SIZE	24
BUS:B4:AUDIO:CLOCK:POLARITY	RISE
BUS:B4:AUDIO:CLOCK:SOURCE	CH1
BUS:B4:AUDIO:DATA:POLARITY	NORMAL
BUS:B4:AUDIO:DATA:SIZE	24
BUS:B4:AUDIO:DISPLAY:FORMAT	SIGNEDDECIMAL
BUS:B4:AUDIO:FRAME:SIZE	8
BUS:B4:AUDIO:FRAMESYNC:POLARITY	RISE
BUS:B4:AUDIO:FRAMESYNC:SOURCE	CH2
BUS:B4:AUDIO:TYPE	I2S
BUS:B4:AUDIO:WORDSEL:POLARITY	NORMAL
BUS:B4:AUDIO:WORDSEL:SOURCE	CH2
BUS:B4:CAN:BITRATE	500000
BUS:B4:CAN:PROBE	CANH
BUS:B4:CAN:SAMPLEPOINT	50
BUS:B4:CAN:SOURCE	CH1
BUS:B4:DISPLAY:FORMAT	HEXADECIMAL
BUS:B4:DISPLAY:TYPE	BUS
BUS:B4:ETHERNET:PROBE	DIFFERENTIAL
BUS:B4:ETHERNET:PROTOCOL	IPV4
BUS:B4:ETHERNET:SOURCE:DIFFERENTIAL	CH1
BUS:B4:ETHERNET:SOURCE:DMINUS	CH2
BUS:B4:ETHERNET:SOURCE:DPLUS	CH1
BUS:B4:ETHERNET:TYPE	ENET100BASETX

Table C-1: Default Values (cont.)

Item	Description
BUS:B4:FLEXRAY:BITRATE	10000000
BUS:B4:FLEXRAY:CHANNEL	A
BUS:B4:FLEXRAY:SIGNAL	BDIFFBP
BUS:B4:FLEXRAY:SOURCE	CH1
BUS:B4:I2C:ADDRESS:RWINCLUDE	0
BUS:B4:I2C:CLOCK:SOURCE	CH1
BUS:B4:I2C:DATA:SOURCE	CH2
BUS:B4:LABEL	"Parallel"
BUS:B4:LIN:BITRATE	19200
BUS:B4:LIN:IDFORMAT	NOPARITY
BUS:B4:LIN:POLARITY	NORMAL
BUS:B4:LIN:SAMPLEPOINT	50
BUS:B4:LIN:SOURCE	CH1
BUS:B4:LIN:STANDARD	V2X
BUS:B4:MIL1553B:POLARITY	NORMAL
BUS:B4:MIL1553B:RESPONSETIME:MAXIMUM	12.0000E-6
BUS:B4:MIL1553B:RESPONSETIME:MINIMUM	4.0000E-6
BUS:B4:MIL1553B:SOURCE	CH1
BUS:B4:PARALLEL:BIT0:SOURCE	D0
BUS:B4:PARALLEL:BIT10:SOURCE	D10
BUS:B4:PARALLEL:BIT11:SOURCE	D11
BUS:B4:PARALLEL:BIT12:SOURCE	D12
BUS:B4:PARALLEL:BIT13:SOURCE	D13
BUS:B4:PARALLEL:BIT14:SOURCE	D14
BUS:B4:PARALLEL:BIT15:SOURCE	D15
BUS:B4:PARALLEL:BIT16:SOURCE	CH1
BUS:B4:PARALLEL:BIT17:SOURCE	CH2
BUS:B4:PARALLEL:BIT18:SOURCE	CH3
BUS:B4:PARALLEL:BIT19:SOURCE	CH4
BUS:B4:PARALLEL:BIT1:SOURCE	D1
BUS:B4:PARALLEL:BIT2:SOURCE	D2
BUS:B4:PARALLEL:BIT3:SOURCE	D3
BUS:B4:PARALLEL:BIT4:SOURCE	D4
BUS:B4:PARALLEL:BIT5:SOURCE	D5
BUS:B4:PARALLEL:BIT6:SOURCE	D6
BUS:B4:PARALLEL:BIT7:SOURCE	D7
BUS:B4:PARALLEL:BIT8:SOURCE	D8

Table C-1: Default Values (cont.)

Item	Description
BUS:B4:PARALLEL:BIT9:SOURCE	D9
BUS:B4:PARALLEL:CLOCK:EDGE	RISING
BUS:B4:PARALLEL:CLOCK:ISCLOCKED	NO
BUS:B4:PARALLEL:CLOCK:SOURCE	CH1
BUS:B4:PARALLEL:WIDTH	16
BUS:B4:POSITION	0.0E+0
BUS:B4:RS232C:BITRATE	9600
BUS:B4:RS232C:DATABITS	8
BUS:B4:RS232C:DELIMITER	LF
BUS:B4:RS232C:DISPLAYMODE	FRAME
BUS:B4:RS232C:PARITY	NONE
BUS:B4:RS232C:POLARITY	NORMAL
BUS:B4:RS232C:RX:SOURCE	OFF
BUS:B4:RS232C:TX:SOURCE	CH1
BUS:B4:SPI:BITORDER	MSB
BUS:B4:SPI:CLOCK:POLARITY	RISE
BUS:B4:SPI:CLOCK:SOURCE	CH1
BUS:B4:SPI:DATA:IN:POLARITY	HIGH
BUS:B4:SPI:DATA:IN:SOURCE	OFF
BUS:B4:SPI:DATA:OUT:POLARITY	HIGH
BUS:B4:SPI:DATA:OUT:SOURCE	CH3
BUS:B4:SPI:DATA:SIZE	8
BUS:B4:SPI:FRAMING	SS
BUS:B4:SPI:IDLETIME	5.0000E-6
BUS:B4:SPI:SELECT:POLARITY	LOW
BUS:B4:SPI:SELECT:SOURCE	CH2
BUS:B4:STATE	0
BUS:B4:TYPE	PARALLEL
BUS:B4:USB:BITRATE	FULL
BUS:B4:USB:PROBE	DIFFERENTIAL
BUS:B4:USB:SOURCE:DIFFERENTIAL	CH1
BUS:B4:USB:SOURCE:DMINUS	CH2
BUS:B4:USB:SOURCE:DPLUS	CH1
BUS:LOWERTHRESHOLD:CH1	0.0E+0
BUS:LOWERTHRESHOLD:CH2	0.0E+0
BUS:LOWERTHRESHOLD:CH3	0.0E+0
BUS:LOWERTHRESHOLD:CH4	0.0E+0

Table C-1: Default Values (cont.)

Item	Description
BUS:LOWERTHRESHOLD:MATH	0.0E+0
BUS:LOWERTHRESHOLD:REF1	0.0E+0
BUS:LOWERTHRESHOLD:REF2	0.0E+0
BUS:LOWERTHRESHOLD:REF3	0.0E+0
BUS:LOWERTHRESHOLD:REF4	0.0E+0
BUS:UPPERTHRESHOLD:CH1	1.4000
BUS:UPPERTHRESHOLD:CH2	800.0000E-3
BUS:UPPERTHRESHOLD:CH3	800.0000E-3
BUS:UPPERTHRESHOLD:CH4	800.0000E-3
BUS:UPPERTHRESHOLD:MATH	0.0E+0
BUS:UPPERTHRESHOLD:REF1	0.0E+0
BUS:UPPERTHRESHOLD:REF2	0.0E+0
BUS:UPPERTHRESHOLD:REF3	0.0E+0
BUS:UPPERTHRESHOLD:REF4	0.0E+0
CH1:AMPSVIAVOLTS:ENABLE	0
CH1:AMPSVIAVOLTS:FACTOR	10.0000
CH1:BANDWIDTH	1.0000E+9
CH1:COUPLING	DC
CH1:DESKEW	0.0E+0
CH1:INVERT	0
CH1:LABEL	""
CH1:OFFSET	0.0E+0
CH1:POSITION	0.0E+0
CH1:PROBE:FORCEDRANGE	0.0E+0
CH1:PROBE:GAIN	100.0000E-3
CH1:PROBE:PROPDELAY	5.3000E-9
CH1:SCALE	1.0000
CH1:TERMINATION	1.0000E+6
CH1:YUNITS	"V"
CH2:AMPSVIAVOLTS:ENABLE	0
CH2:AMPSVIAVOLTS:FACTOR	10.0000
CH2:BANDWIDTH	1.0000E+9
CH2:COUPLING	DC
CH2:DESKEW	0.0E+0
CH2:INVERT	0
CH2:LABEL	""
CH2:OFFSET	0.0E+0

Table C-1: Default Values (cont.)

Item	Description
CH2:POSITION	0.0E+0
CH2:PROBE:FORCEDRANGE	0.0E+0
CH2:PROBE:GAIN	1.0000
CH2:PROBE:PROPDELAY	0.0E+0
CH2:SCALE	100.0000E-3
CH2:TERMINATION	1.0000E+6
CH2:YUNITS	"V"
CH3:AMPSVIAVOLTS:ENABLE	0
CH3:AMPSVIAVOLTS:FACTOR	10.0000
CH3:BANDWIDTH	1.0000E+9
CH3:COUPLING	DC
CH3:DESKEW	0.0E+0
CH3:INVERT	0
CH3:LABEL	""
CH3:OFFSET	0.0E+0
CH3:POSITION	0.0E+0
CH3:PROBE:FORCEDRANGE	0.0E+0
CH3:PROBE:GAIN	1.0000
CH3:PROBE:PROPDELAY	0.0E+0
CH3:SCALE	100.0000E-3
CH3:TERMINATION	1.0000E+6
CH3:YUNITS	"V"
CH4:AMPSVIAVOLTS:ENABLE	0
CH4:AMPSVIAVOLTS:FACTOR	10.0000
CH4:BANDWIDTH	1.0000E+9
CH4:COUPLING	DC
CH4:DESKEW	0.0E+0
CH4:INVERT	0
CH4:LABEL	""
CH4:OFFSET	0.0E+0
CH4:POSITION	0.0E+0
CH4:PROBE:FORCEDRANGE	0.0E+0
CH4:PROBE:GAIN	1.0000
CH4:PROBE:PROPDELAY	0.0E+0
CH4:SCALE	100.0000E-3
CH4:TERMINATION	1.0000E+6
CH4:YUNITS	"V"

Table C-1: Default Values (cont.)

Item	Description
CURSOR:FUNCTION	OFF
CURSOR:HBARS:POSITION1	0.0E+0
CURSOR:HBARS:POSITION2	0.0E+0
CURSOR:HBARS:UNITS	BASE
CURSOR:MODE	INDEPENDENT
CURSOR:SOURCE	AUTO
CURSOR:VBARS:POSITION1	-12.00E-6
CURSOR:VBARS:POSITION2	12.00E-6
CURSOR:VBARS:UNITS	SECONDS
CURSOR:XY:READOUT	RECTANGULAR
CURSOR:XY:RECTANGULAR:X:POSITION1	0.0E+0
CURSOR:XY:RECTANGULAR:X:POSITION2	0.0E+0
CURSOR:XY:RECTANGULAR:Y:POSITION1	0.0E+0
CURSOR:XY:RECTANGULAR:Y:POSITION2	0.0E+0
D0:LABEL	""
D0:POSITION	60.0000E-3
D0:THRESHOLD	1.4000
D10:LABEL	""
D10:POSITION	60.0000E-3
D10:THRESHOLD	1.4000
D11:LABEL	""
D11:POSITION	60.0000E-3
D11:THRESHOLD	1.4000
D12:LABEL	""
D12:POSITION	60.0000E-3
D12:THRESHOLD	1.4000
D13:LABEL	""
D13:POSITION	60.0000E-3
D13:THRESHOLD	1.4000
D14:LABEL	""
D14:POSITION	60.0000E-3
D14:THRESHOLD	1.4000
D15:LABEL	""
D15:POSITION	60.0000E-3
D15:THRESHOLD	1.4000
D1:LABEL	""
D1:POSITION	60.0000E-3

Table C-1: Default Values (cont.)

Item	Description
D1:THRESHOLD	1.4000
D2:LABEL	""
D2:POSITION	60.0000E-3
D2:THRESHOLD	1.4000
D3:LABEL	""
D3:POSITION	60.0000E-3
D3:THRESHOLD	1.4000
D4:LABEL	""
D4:POSITION	60.0000E-3
D4:THRESHOLD	1.4000
D5:LABEL	""
D5:POSITION	60.0000E-3
D5:THRESHOLD	1.4000
D6:LABEL	""
D6:POSITION	60.0000E-3
D6:THRESHOLD	1.4000
D7:LABEL	""
D7:POSITION	60.0000E-3
D7:THRESHOLD	1.4000
D8:LABEL	""
D8:POSITION	60.0000E-3
D8:THRESHOLD	1.4000
D9:LABEL	""
D9:POSITION	60.0000E-3
D9:THRESHOLD	1.4000
DATA:DESTINATION	REF1
DATA:ENCDG	RIBINARY
DATA:SOURCE	CH1
DATA:START	1
DATA:STOP	10000
DESKEW:DISPLAY	1
DISPLAY:CLOCK	1
DISPLAY:DIGITAL:HEIGHT	MEDIUM
DISPLAY:GRATICULE	FULL
DISPLAY:INTENSITY:BACKLIGHT	HIGH
DISPLAY:INTENSITY:GRATICULE	75
DISPLAY:INTENSITY:WAVEFORM	35

Table C-1: Default Values (cont.)

Item	Description
DISPLAY:PERSISTENCE	0.0E+0
DISPLAY:STYLE:DOTSONLY	0
DISPLAY:TRIGFREQUENCY	0
DISPLAY:XY	OFF
HARDCOPY:INKSAVER	1
HARDCOPY:LAYOUT	LANDSCAPE
HARDCOPY:PREVIEW	0
HEADER	0
HISTOGRAM:BOXPCNT	20.0000,20.0000,80.0000,80.0000
HISTOGRAM:DISPLAY	LINEAR
HISTOGRAM:MODE	OFF
HISTOGRAM:SOURCE	CH1
HORIZONTAL:DELAY:MODE	1
HORIZONTAL:DELAY:TIME	0.0E+0
HORIZONTAL:POSITION	50.0000
HORIZONTAL:RECORDLENGTH	10000
HORIZONTAL:SCALE	4.0000E-6
LOCK	NONE
MARKER:M1:FREQUENCY:ABSOLUTE	0.0E+0
MARKER:M2:FREQUENCY:ABSOLUTE	0.0E+0
MARKER:MANUAL	0
MARKER:PEAK:EXCURSION	30.0000
MARKER:PEAK:MAXIMUM	5
MARKER:PEAK:STATE	1
MARKER:PEAK:THRESHOLD	-50.0000
MARKER:TYPE	ABSOLUTE
MASK:COPY:SOURCE	NONE
MASK:DISPLAY	0
MASK:LOCK	0
MASK:MARGIN:PERCENT	0.0E+0
MASK:MARGIN:STATE	0
MASK:POLARITY	POSITIVE
MASK:SOURCE	CH1
MASK:STANDARD	NONE
MASK:STOPONVIOLATION	0
MASK:TEMPLATE:SOURCE	CH1
MASK:TEMPLATE:TOLERANCE:HORIZONTAL	200.0000E-3

Table C-1: Default Values (cont.)

Item	Description
MASK:TEMPLATE:TOLERANCE:VERTICAL	200.0000E-3
MASK:TEST:AUXOUT:COMPLETION	0
MASK:TEST:AUXOUT:FAILURE	0
MASK:TEST:COMPLETION:CRITERION	WAVEFORM
MASK:TEST:DELAY	0.0E+0
MASK:TEST:HARDCOPY	0
MASK:TEST:REPEAT	0
MASK:TEST:SAVEIMAGE	0
MASK:TEST:SAVEWFM	0
MASK:TEST:SRQ:COMPLETION	0
MASK:TEST:SRQ:FAILURE	0
MASK:TEST:STATE	0
MASK:TEST:STOP:FAILURE	0
MASK:TEST:THRESHOLD	1
MASK:TEST:TIME	INFINITE
MASK:TEST:WAVEFORM	INFINITE
MASK:USER:AMPLITUDE	1.0000
MASK:USER:HSCALE	400.0000E-6
MASK:USER:HTRIGPOS	500.0000E-3
MASK:USER:LABEL	""
MASK:USER:RECORDLENGTH	10000
MASK:USER:SEG1:POINTS	0.0E+0,0.0E+0
MASK:USER:SEG2:POINTS	0.0E+0,0.0E+0
MASK:USER:SEG3:POINTS	0.0E+0,0.0E+0
MASK:USER:SEG4:POINTS	0.0E+0,0.0E+0
MASK:USER:SEG5:POINTS	0.0E+0,0.0E+0
MASK:USER:SEG6:POINTS	0.0E+0,0.0E+0
MASK:USER:SEG7:POINTS	0.0E+0,0.0E+0
MASK:USER:SEG8:POINTS	0.0E+0,0.0E+0
MASK:USER:TRIGTOSAMP	100.0000E-6
MASK:USER:VOFFSET	0.0E+0
MASK:USER:VPOS	0.0E+0
MASK:USER:VSCALE	100.0000E-3
MASK:USER:WIDTH	400.0000E-6
MATH:DEFINE	"CH1+CH2"
MATH:HORIZONTAL:POSITION	50.0000
MATH:HORIZONTAL:SCALE	4.0000E-6

Table C-1: Default Values (cont.)

Item	Description
MATH:HORIZONTAL:UNITS	"s"
MATH:LABEL	""
MATH:SPECTRAL:MAG	DB
MATH:SPECTRAL:WINDOW	HANNING
MATH:TYPE	DUAL
MATH:VERTICAL:POSITION	0.0E+0
MATH:VERTICAL:SCALE	100.0000E-3
MATH:VERTICAL:UNITS	"V"
MATHVAR:VAR1	0.0E+0
MATHVAR:VAR2	0.0E+0
MEASUREMENT:GATING	SCREEN
MEASUREMENT:IMMED:DELAY:DIRECTION	FORWARDS
MEASUREMENT:IMMED:DELAY:EDGE1	RISE
MEASUREMENT:IMMED:DELAY:EDGE2	RISE
MEASUREMENT:IMMED:SOURCE1	CH1
MEASUREMENT:IMMED:SOURCE2	CH2
MEASUREMENT:IMMED:TYPE	PERIOD
MEASUREMENT:INDICATORS:STATE	OFF
MEASUREMENT:MEAS1:DELAY:DIRECTION	FORWARDS
MEASUREMENT:MEAS1:DELAY:EDGE1	RISE
MEASUREMENT:MEAS1:DELAY:EDGE2	RISE
MEASUREMENT:MEAS1:SOURCE1	CH1
MEASUREMENT:MEAS1:SOURCE2	CH2
MEASUREMENT:MEAS1:STATE	0
MEASUREMENT:MEAS1:TYPE	PERIOD
MEASUREMENT:MEAS2:DELAY:DIRECTION	FORWARDS
MEASUREMENT:MEAS2:DELAY:EDGE1	RISE
MEASUREMENT:MEAS2:DELAY:EDGE2	RISE
MEASUREMENT:MEAS2:SOURCE1	CH1
MEASUREMENT:MEAS2:SOURCE2	CH2
MEASUREMENT:MEAS2:STATE	0
MEASUREMENT:MEAS2:TYPE	PERIOD
MEASUREMENT:MEAS3:DELAY:DIRECTION	FORWARDS
MEASUREMENT:MEAS3:DELAY:EDGE1	RISE
MEASUREMENT:MEAS3:DELAY:EDGE2	RISE
MEASUREMENT:MEAS3:SOURCE1	CH1
MEASUREMENT:MEAS3:SOURCE2	CH2

Table C-1: Default Values (cont.)

Item	Description
MEASUREMENT:MEAS3:STATE	0
MEASUREMENT:MEAS3:TYPE	PERIOD
MEASUREMENT:MEAS4:DELAY:DIRECTION	FORWARDS
MEASUREMENT:MEAS4:DELAY:EDGE1	RISE
MEASUREMENT:MEAS4:DELAY:EDGE2	RISE
MEASUREMENT:MEAS4:SOURCE1	CH1
MEASUREMENT:MEAS4:SOURCE2	CH2
MEASUREMENT:MEAS4:STATE	0
MEASUREMENT:MEAS4:TYPE	PERIOD
MEASUREMENT:MEAS5:DELAY:DIRECTION	FORWARDS
MEASUREMENT:MEAS5:DELAY:EDGE1	RISE
MEASUREMENT:MEAS5:DELAY:EDGE2	RISE
MEASUREMENT:MEAS5:SOURCE1	CH1
MEASUREMENT:MEAS5:SOURCE2	CH2
MEASUREMENT:MEAS5:STATE	0
MEASUREMENT:MEAS5:TYPE	PERIOD
MEASUREMENT:MEAS6:DELAY:DIRECTION	FORWARDS
MEASUREMENT:MEAS6:DELAY:EDGE1	RISE
MEASUREMENT:MEAS6:DELAY:EDGE2	RISE
MEASUREMENT:MEAS6:SOURCE1	CH1
MEASUREMENT:MEAS6:SOURCE2	CH2
MEASUREMENT:MEAS6:STATE	0
MEASUREMENT:MEAS6:TYPE	PERIOD
MEASUREMENT:MEAS7:DELAY:DIRECTION	FORWARDS
MEASUREMENT:MEAS7:DELAY:EDGE1	RISE
MEASUREMENT:MEAS7:DELAY:EDGE2	RISE
MEASUREMENT:MEAS7:SOURCE1	CH1
MEASUREMENT:MEAS7:SOURCE2	CH2
MEASUREMENT:MEAS7:STATE	0
MEASUREMENT:MEAS7:TYPE	PERIOD
MEASUREMENT:MEAS8:DELAY:DIRECTION	FORWARDS
MEASUREMENT:MEAS8:DELAY:EDGE1	RISE
MEASUREMENT:MEAS8:DELAY:EDGE2	RISE
MEASUREMENT:MEAS8:SOURCE1	CH1
MEASUREMENT:MEAS8:SOURCE2	CH2
MEASUREMENT:MEAS8:STATE	0
MEASUREMENT:MEAS8:TYPE	PERIOD

Table C-1: Default Values (cont.)

Item	Description
MEASUREMENT:METHOD	AUTO
MEASUREMENT:REFLEVEL:ABSOLUTE:HIGH	0.0E+0
MEASUREMENT:REFLEVEL:ABSOLUTE:LOW	0.0E+0
MEASUREMENT:REFLEVEL:ABSOLUTE:MID1	0.0E+0
MEASUREMENT:REFLEVEL:ABSOLUTE:MID2	0.0E+0
MEASUREMENT:REFLEVEL:METHOD	PERCENT
MEASUREMENT:REFLEVEL:PERCENT:HIGH	90.0000
MEASUREMENT:REFLEVEL:PERCENT:LOW	10.0000
MEASUREMENT:REFLEVEL:PERCENT:MID1	50.0000
MEASUREMENT:REFLEVEL:PERCENT:MID2	50.0000
MEASUREMENT:STATISTICS:MODE	ALL
MEASUREMENT:STATISTICS:WEIGHTING	32
MESSAGE:BOX	271,82,271,98
MESSAGE:SHOW	""
MESSAGE:STATE	0
PICTBRIDGE:DATEPRINT	DEFLT
PICTBRIDGE:IDPRINT	OFF
PICTBRIDGE:IMAGESIZE	DEFLT
PICTBRIDGE:PAPERSIZE	DEFLT
PICTBRIDGE:PAPERTYPE	DEFLT
PICTBRIDGE:PRINTQUAL	DEFLT
POWER:CURRENTSOURCE	CH2
POWER:DISPLAY	0
POWER:GATESOURCE	NONE
POWER:GATING	OFF
POWER:HARMONICS:DISPLAY:SELECT	ALL
POWER:HARMONICS:DISPLAY:TYPE	GRAPH
POWER:HARMONICS:FREQREF	HARMSOURCE
POWER:HARMONICS:FREQREF:FIXEDFREQVALUE	60.0000
POWER:HARMONICS:IEC:CLASS	A
POWER:HARMONICS:IEC:FILTER	1
POWER:HARMONICS:IEC:FUNDAMENTAL	16.0000
POWER:HARMONICS:IEC:GROUPING	1
POWER:HARMONICS:IEC:INPUTPOWER	100
POWER:HARMONICS:IEC:LINEFREQUENCY	60
POWER:HARMONICS:IEC:OBSPERIOD	10.0000
POWER:HARMONICS:IEC:POWERFACTOR	900.0000E-3

Table C-1: Default Values (cont.)

Item	Description
POWER:HARMONICS:MIL:FUNDAMENTAL:CALCMETHOD	MEAS
POWER:HARMONICS:MIL:FUNDAMENTAL:USER:CURRENT	1.0000
POWER:HARMONICS:MIL:LINEFREQUENCY	400
POWER:HARMONICS:MIL:POWERLEVEL	LOW
POWER:HARMONICS:NR_HARMONICS	40
POWER:HARMONICS:SOURCE	CURRENT
POWER:HARMONICS:STANDARD	NONE
POWER:INDICATORS	0
POWER:MODULATION:SOURCE	VOLTAGE
POWER:MODULATION:TYPE	PWIDTH
POWER:QUALITY:DISPLAY:APPPWR	0
POWER:QUALITY:DISPLAY:FREQUENCY	0
POWER:QUALITY:DISPLAY:ICRESTFACTOR	0
POWER:QUALITY:DISPLAY:IRMS	0
POWER:QUALITY:DISPLAY:PHASEANGLE	0
POWER:QUALITY:DISPLAY:POWERFACTOR	0
POWER:QUALITY:DISPLAY:REACTPWR	0
POWER:QUALITY:DISPLAY:TRUEPWR	0
POWER:QUALITY:DISPLAY:VCRESTFACTOR	0
POWER:QUALITY:DISPLAY:VRMS	0
POWER:QUALITY:FREQREFERENCE	VOLTAGE
POWER:REFLEVEL:ABSOLUTE:HIGH	0.0E+0
POWER:REFLEVEL:ABSOLUTE:LOW	0.0E+0
POWER:REFLEVEL:ABSOLUTE:MID1	0.0E+0
POWER:REFLEVEL:ABSOLUTE:MID2	0.0E+0
POWER:REFLEVEL:ABSOLUTE:MID3	50.0000
POWER:REFLEVEL:HYSTERESIS	10.0000
POWER:REFLEVEL:METHOD	PERCENT
POWER:REFLEVEL:PERCENT:HIGH	90.0000
POWER:REFLEVEL:PERCENT:LOW	10.0000
POWER:REFLEVEL:PERCENT:MID1	50.0000
POWER:REFLEVEL:PERCENT:MID2	50.0000
POWER:REFLEVEL:PERCENT:MID3	50.0000
POWER:RIPPLE:SOURCE	VOLTAGE
POWER:SOA:LINEAR:XMAX	500.0000
POWER:SOA:LINEAR:XMIN	0.0E+0
POWER:SOA:LINEAR:YMAX	50.0000

Table C-1: Default Values (cont.)

Item	Description
POWER:SOA:LINEAR:YMIN	0.0E+0
POWER:SOA:LOG:XMAX	1.0000E+3
POWER:SOA:LOG:XMIN	100.0000E-3
POWER:SOA:LOG:YMAX	100.0000
POWER:SOA:LOG:YMIN	100.0000E-3
POWER:SOA:MASK:DEFINE	0.0E+0,30.0000,25.0000,30.0000,300.0000,2.5000,300.0000,0.0E+0
POWER:SOA:MASK:MAXAMPS	30.0000
POWER:SOA:MASK:MAXVOLTS	300.0000
POWER:SOA:MASK:MAXWATTS	750.0000
POWER:SOA:MASK:STATE	LIMITS
POWER:SOA:MASK:STOPONVIOL	0
POWER:SOA:PLOTTYPE	LOG
POWER:STATISTICS:MODE	ALL
POWER:STATISTICS:WEIGHTING	32
POWER:SWLOSS:CONDCALCMETHOD	VOLTAGE
POWER:SWLOSS:DISPLAY	ALL
POWER:SWLOSS:GATE:POLARITY	RISE
POWER:SWLOSS:GATE:TURNON	1.5000
POWER:SWLOSS:RDSON	20.0000E-3
POWER:SWLOSS:REFLEVEL:ABSOLUTE:GATEMID	50.0000
POWER:SWLOSS:REFLEVEL:ABSOLUTE:LOWCURRENT	1.0000
POWER:SWLOSS:REFLEVEL:ABSOLUTE:LOWVOLTAGE	5.0000
POWER:SWLOSS:REFLEVEL:PERCENT:GATEMID	50.0000
POWER:SWLOSS:REFLEVEL:PERCENT:LOWCURRENT	5.0000
POWER:SWLOSS:REFLEVEL:PERCENT:LOWVOLTAGE	5.0000
POWER:SWLOSS:VCESAT	2.0000
POWER:TYPE	NONE
POWER:VOLTAGESOURCE	CH1
REF1:HORIZONTAL:DELAY:TIME	0.0E+0
REF1:HORIZONTAL:SCALE	4.0000E-6
REF1:VERTICAL:POSITION	0.0E+0
REF1:VERTICAL:SCALE	100.0000E-3
REF2:HORIZONTAL:DELAY:TIME	0.0E+0
REF2:HORIZONTAL:SCALE	4.0000E-6
REF2:VERTICAL:POSITION	0.0E+0
REF2:VERTICAL:SCALE	100.0000E-3

Table C-1: Default Values (cont.)

Item	Description
REF3:HORIZONTAL:DELAY:TIME	0.0E+0
REF3:HORIZONTAL:SCALE	4.0000E-6
REF3:VERTICAL:POSITION	0.0E+0
REF3:VERTICAL:SCALE	100.0000E-3
REF4:HORIZONTAL:DELAY:TIME	0.0E+0
REF4:HORIZONTAL:SCALE	4.0000E-6
REF4:VERTICAL:POSITION	0.0E+0
REF4:VERTICAL:SCALE	100.0000E-3
RF:DETECTIONMETHOD:MODE	AUTO
RF:DETECTIONMETHOD:RF_AVERAGE	PLUSPEAK
RF:DETECTIONMETHOD:RF_MAXHOLD	PLUSPEAK
RF:DETECTIONMETHOD:RF_MINHOLD	MINUSPEAK
RF:DETECTIONMETHOD:RF_NORMAL	PLUSPEAK
RF:FREQUENCY	1.5000E+9
RF:MEASURE:ACPR:ADJACENTPAIRS	1
RF:MEASURE:ACPR:CHANBW	4.0000E+6
RF:MEASURE:ACPR:CHANSPPACING	5.0000E+6
RF:MEASURE:CP:CHANBW	10.0000E+6
RF:MEASURE:OBW:CHANBW	10.0000E+6
RF:MEASURE:OBW:PERCENTDOWN	99.0000
RF:MEASURE:TYPE	NONE
RF:POSITION	0.0E+0
RF:PROBE:FORCEDRANGE	0.0E+0
RF:PROBE:GAIN	1.0000
RF:RBW	3.0000E+6
RF:RBW:MODE	AUTO
RF:REFLEVEL	0.0E+0
RF:RF_AMPLITUDE:VERTICAL:POSITION	0.0E+0
RF:RF_AMPLITUDE:VERTICAL:SCALE	10.0000E-3
RF:RF_AVERAGE:NUMAVG	16
RF:RF_FREQUENCY:VERTICAL:POSITION	0.0E+0
RF:RF_FREQUENCY:VERTICAL:SCALE	1.0000E+6
RF:RF_PHASE:VERTICAL:POSITION	0.0E+0
RF:RF_PHASE:VERTICAL:SCALE	50.0000
RF:SCALE	10.0000
RF:SPAN	3.0000E+9
RF:SPANRBWRATIO	1.0000E+3

Table C-1: Default Values (cont.)

Item	Description
RF:SPECTROGRAM:SLICESELECT	0
RF:SPECTROGRAM:STATE	0
RF:SPECTRUMMODE	FREERUN
RF:SQUELCH:STATE	0
RF:SQUELCH:THRESHOLD	22.0000E-6
RF:UNITS	DBM
RF:WINDOW	KAISER
ROSC:SOURCE	INTERNAL
SAVE:ASSIGN:TYPE	IMAGE
SAVE:IMAGE:FILEFORMAT	PNG
SAVE:IMAGE:INKSAVER	0
SAVE:IMAGE:LAYOUT	LANDSCAPE
SAVE:WAVEFORM:FILEFORMAT	INTERNAL
SAVE:WAVEFORM:GATING	NONE
SEARCH:SEARCH1:STATE	0
SEARCH:SEARCH1:TRIGGER:A:BUS:B1:AUDIO:CONDITION	SOF
SEARCH:SEARCH1:TRIGGER:A:BUS:B1:AUDIO:DATA:HIVALUE	"XXXXXXXXXXXXXXXXXXXXXXXXXXXX"
SEARCH:SEARCH1:TRIGGER:A:BUS:B1:AUDIO:DATA:OFFSET	0
SEARCH:SEARCH1:TRIGGER:A:BUS:B1:AUDIO:DATA:QUALIFIER	EQUAL
SEARCH:SEARCH1:TRIGGER:A:BUS:B1:AUDIO:DATA:VALUE	"XXXXXXXXXXXXXXXXXXXXXXXXXXXX"
SEARCH:SEARCH1:TRIGGER:A:BUS:B1:AUDIO:DATA:WORD	EITHER
SEARCH:SEARCH1:TRIGGER:A:BUS:B1:CAN:CONDITION	SOF
SEARCH:SEARCH1:TRIGGER:A:BUS:B1:CAN:DATA:DIRECTION	NOCARE
SEARCH:SEARCH1:TRIGGER:A:BUS:B1:CAN:DATA:QUALIFIER	EQUAL
SEARCH:SEARCH1:TRIGGER:A:BUS:B1:CAN:DATA:SIZE	1
SEARCH:SEARCH1:TRIGGER:A:BUS:B1:CAN:DATA:VALUE	"XXXXXXX"
SEARCH:SEARCH1:TRIGGER:A:BUS:B1:CAN:FRAMETYPE	DATA
SEARCH:SEARCH1:TRIGGER:A:BUS:B1:CAN:IDENTIFIER:MODE	STANDARD
SEARCH:SEARCH1:TRIGGER:A:BUS:B1:CAN:IDENTIFIER:VALUE	"XXXXXXXXXX"
SEARCH:SEARCH1:TRIGGER:A:BUS:B1:ETHERNET:CONDITION	SFD
SEARCH:SEARCH1:TRIGGER:A:BUS:B1:ETHERNET:DATA: HIVALUE	"XXXXXXX"
SEARCH:SEARCH1:TRIGGER:A:BUS:B1:ETHERNET:DATA:OFFSET	-1
SEARCH:SEARCH1:TRIGGER:A:BUS:B1:ETHERNET:DATA:SIZE	1
SEARCH:SEARCH1:TRIGGER:A:BUS:B1:ETHERNET:DATA:VALUE	"XXXXXXX"
SEARCH:SEARCH1:TRIGGER:A:BUS:B1:ETHERNET:FRAMETYPE	BASIC
SEARCH:SEARCH1:TRIGGER:A:BUS:B1:ETHERNET:IPHEADER:DESTINATIONADDR:VALUE	"XXXXXXXXXXXX XXXXXXXXXXXXXXXXXXXXXXX"

Table C-1: Default Values (cont.)

Item	Description
SEARCH:SEARCH1:TRIGGER:A:BUS:B1:FLEXRAY:HEADER: FRAMEID	"XXXXXXXXXXXX"
SEARCH:SEARCH1:TRIGGER:A:BUS:B1:FLEXRAY:HEADER: INDBITS	"XXXXX"
SEARCH:SEARCH1:TRIGGER:A:BUS:B1:FLEXRAY:HEADER: PAYLENGTH	"XXXXXXXX"
SEARCH:SEARCH1:TRIGGER:A:BUS:B1:I2C:ADDRESS:MODE	ADDR7
SEARCH:SEARCH1:TRIGGER:A:BUS:B1:I2C:ADDRESS:TYPE	USER
SEARCH:SEARCH1:TRIGGER:A:BUS:B1:I2C:ADDRESS:VALUE	"XXXXXXXX"
SEARCH:SEARCH1:TRIGGER:A:BUS:B1:I2C:CONDITION	START
SEARCH:SEARCH1:TRIGGER:A:BUS:B1:I2C:DATA:DIRECTION	NOCARE
SEARCH:SEARCH1:TRIGGER:A:BUS:B1:I2C:DATA:SIZE	1
SEARCH:SEARCH1:TRIGGER:A:BUS:B1:I2C:DATA:VALUE	"XXXXXXXX"
SEARCH:SEARCH1:TRIGGER:A:BUS:B1:LIN:CONDITION	SYNCFIELD
SEARCH:SEARCH1:TRIGGER:A:BUS:B1:LIN:DATA:HIVALUE	"XXXXXXXX"
SEARCH:SEARCH1:TRIGGER:A:BUS:B1:LIN:DATA:QUALIFIER	EQUAL
SEARCH:SEARCH1:TRIGGER:A:BUS:B1:LIN:DATA:SIZE	1
SEARCH:SEARCH1:TRIGGER:A:BUS:B1:LIN:DATA:VALUE	"XXXXXXXX"
SEARCH:SEARCH1:TRIGGER:A:BUS:B1:LIN:ERRTYPE	SYNC
SEARCH:SEARCH1:TRIGGER:A:BUS:B1:LIN:IDENTIFIER:VALUE	"XXXXXX"
SEARCH:SEARCH1:TRIGGER:A:BUS:B1:MIL1553B:COMMAND: ADDRESS:HIVALUE	"XXXXXX"
SEARCH:SEARCH1:TRIGGER:A:BUS:B1:MIL1553B:COMMAND: ADDRESS:QUALIFIER	EQUAL
SEARCH:SEARCH1:TRIGGER:A:BUS:B1:MIL1553B:COMMAND: ADDRESS:VALUE	"XXXXXX"
SEARCH:SEARCH1:TRIGGER:A:BUS:B1:MIL1553B:COMMAND: COUNT	"XXXXXX"
SEARCH:SEARCH1:TRIGGER:A:BUS:B1:MIL1553B:COMMAND: PARITY	X
SEARCH:SEARCH1:TRIGGER:A:BUS:B1:MIL1553B:COMMAND: SUBADDRESS	"XXXXXX"
SEARCH:SEARCH1:TRIGGER:A:BUS:B1:MIL1553B:COMMAND: TRBIT	X
SEARCH:SEARCH1:TRIGGER:A:BUS:B1:MIL1553B:CONDITION	SYNC
SEARCH:SEARCH1:TRIGGER:A:BUS:B1:MIL1553B:DATA: PARITY	X
SEARCH:SEARCH1:TRIGGER:A:BUS:B1:MIL1553B:DATA: VALUE	"XXXXXXXXXXXXXXXXXXXX"
SEARCH:SEARCH1:TRIGGER:A:BUS:B1:MIL1553B:ERRTYPE	PARITY
SEARCH:SEARCH1:TRIGGER:A:BUS:B1:MIL1553B:STATus: ADDRESS:HIVALUE	"XXXXXX"
SEARCH:SEARCH1:TRIGGER:A:BUS:B1:MIL1553B:STATus: ADDRESS:QUALIFIER	EQUAL
SEARCH:SEARCH1:TRIGGER:A:BUS:B1:MIL1553B:STATus: ADDRESS:VALUE	"XXXXXX"

Table C-1: Default Values (cont.)

Item	Description
SEARCH:SEARCH1:TRIGGER:A:BUS:B1:MIL1553B:STATus: BIT:BCR	X
SEARCH:SEARCH1:TRIGGER:A:BUS:B1:MIL1553B:STATus: BIT:BUSY	X
SEARCH:SEARCH1:TRIGGER:A:BUS:B1:MIL1553B:STATus: BIT:DBCA	X
SEARCH:SEARCH1:TRIGGER:A:BUS:B1:MIL1553B:STATus: BIT:INSTR	X
SEARCH:SEARCH1:TRIGGER:A:BUS:B1:MIL1553B:STATus: BIT:ME	X
SEARCH:SEARCH1:TRIGGER:A:BUS:B1:MIL1553B:STATus: BIT:SRQ	X
SEARCH:SEARCH1:TRIGGER:A:BUS:B1:MIL1553B:STATus: BIT:SUBSF	X
SEARCH:SEARCH1:TRIGGER:A:BUS:B1:MIL1553B:STATus: BIT:TF	X
SEARCH:SEARCH1:TRIGGER:A:BUS:B1:MIL1553B:STATus: PARITY	X
SEARCH:SEARCH1:TRIGGER:A:BUS:B1:MIL1553B:TIME: LESSLIMIT	4.0000E-6
SEARCH:SEARCH1:TRIGGER:A:BUS:B1:MIL1553B:TIME: MORELIMIT	12.0000E-6
SEARCH:SEARCH1:TRIGGER:A:BUS:B1:MIL1553B:TIME: QUALIFIER	MORETHAN
SEARCH:SEARCH1:TRIGGER:A:BUS:B1:PARALLEL:VALUE	"XXXXXXXXXXXXXXXXXX"
SEARCH:SEARCH1:TRIGGER:A:BUS:B1:RS232C:CONDITION	TXSTART
SEARCH:SEARCH1:TRIGGER:A:BUS:B1:RS232C:RX:DATA:SIZE	1
SEARCH:SEARCH1:TRIGGER:A:BUS:B1:RS232C:RX:DATA:VALUE	"XXXXXXXX"
SEARCH:SEARCH1:TRIGGER:A:BUS:B1:RS232C:TX:DATA:SIZE	1
SEARCH:SEARCH1:TRIGGER:A:BUS:B1:RS232C:TX:DATA:VALUE	"XXXXXXXX"
SEARCH:SEARCH1:TRIGGER:A:BUS:B1:SPI:CONDITION	SS
SEARCH:SEARCH1:TRIGGER:A:BUS:B1:SPI:DATA:MISO:VALUE	"XXXXXXXX"
SEARCH:SEARCH1:TRIGGER:A:BUS:B1:SPI:DATA:MOSI:VALUE	"XXXXXXXX"
SEARCH:SEARCH1:TRIGGER:A:BUS:B1:SPI:DATA:SIZE	1
SEARCH:SEARCH1:TRIGGER:A:BUS:B1:USB:ADDRESS:HIVALUE	"XXXXXXXX"
SEARCH:SEARCH1:TRIGGER:A:BUS:B1:USB:ADDRESS:VALUE	"XXXXXXXX"
SEARCH:SEARCH1:TRIGGER:A:BUS:B1:USB:CONDITION	SYNC
SEARCH:SEARCH1:TRIGGER:A:BUS:B1:USB:DATA:HIVALUE	"XXXXXXXX"
SEARCH:SEARCH1:TRIGGER:A:BUS:B1:USB:DATA:OFFSET	-1
SEARCH:SEARCH1:TRIGGER:A:BUS:B1:USB:DATA:SIZE	1
SEARCH:SEARCH1:TRIGGER:A:BUS:B1:USB:DATA:TYPE	ANY
SEARCH:SEARCH1:TRIGGER:A:BUS:B1:USB:DATA:VALUE	"XXXXXXXX"
SEARCH:SEARCH1:TRIGGER:A:BUS:B1:USB:ENDPOINT:VALUE	"XXXX"
SEARCH:SEARCH1:TRIGGER:A:BUS:B1:USB:ERRTYPE	PID
SEARCH:SEARCH1:TRIGGER:A:BUS:B1:USB:HANDSHAKETYPE	ANY
SEARCH:SEARCH1:TRIGGER:A:BUS:B1:USB:QUALIFIER	EQUAL
SEARCH:SEARCH1:TRIGGER:A:BUS:B1:USB: SOFFRAMENUMBER	"XXXXXXXXXXXX"
SEARCH:SEARCH1:TRIGGER:A:BUS:B1:USB:SPECIALTYPE	ANY
SEARCH:SEARCH1:TRIGGER:A:BUS:B1:USB:SPLIT:ET:VALUE	NOCARE

Table C-1: Default Values (cont.)

Item	Description
SEARCH:SEARCH1:TRIGGER:A:BUS:B2:ETHERNET:QTAG:VALUE	"XXXXXXXXXXXXXXXXXXXX XXXXXXXXXXXXXXXX"
SEARCH:SEARCH1:TRIGGER:A:BUS:B2:ETHERNET:QUALIFIER	EQUAL
SEARCH:SEARCH1:TRIGGER:A:BUS:B2:ETHERNET:TCPHEADER:ACKNUM:VALUE	"XXXXXXXXXXXXXXXXXXXX XXXXXXXXXXXXXXXX"
SEARCH:SEARCH1:TRIGGER:A:BUS:B2:ETHERNET:TCPHEADER:DESTINATIONPORT:VALUE	"XXXXXXXXXXXXXXXXXXXX"
SEARCH:SEARCH1:TRIGGER:A:BUS:B2:ETHERNET:TCPHEADER:SEQNUM:VALUE	"XXXXXXXXXXXXXXXXXXXX XXXXXXXXXXXXXXXX"
SEARCH:SEARCH1:TRIGGER:A:BUS:B2:ETHERNET:TCPHEADER:SOURCEPORT:VALUE	"XXXXXXXXXXXXXXXXXXXX"
SEARCH:SEARCH1:TRIGGER:A:BUS:B2:FLEXRAY:CONDITION	SOF
SEARCH:SEARCH1:TRIGGER:A:BUS:B2:FLEXRAY:CYCLECOUNT:HIVALUE	"XXXXXX"
SEARCH:SEARCH1:TRIGGER:A:BUS:B2:FLEXRAY:CYCLECOUNT:QUALIFIER	EQUAL
SEARCH:SEARCH1:TRIGGER:A:BUS:B2:FLEXRAY:CYCLECOUNT:VALUE	"XXXXXX"
SEARCH:SEARCH1:TRIGGER:A:BUS:B2:FLEXRAY:DATA:HIVALUE	"XXXXXX"
SEARCH:SEARCH1:TRIGGER:A:BUS:B2:FLEXRAY:DATA:OFFSET	-1
SEARCH:SEARCH1:TRIGGER:A:BUS:B2:FLEXRAY:DATA:QUALIFIER	EQUAL
SEARCH:SEARCH1:TRIGGER:A:BUS:B2:FLEXRAY:DATA:SIZE	1
SEARCH:SEARCH1:TRIGGER:A:BUS:B2:FLEXRAY:DATA:VALUE	"XXXXXX"
SEARCH:SEARCH1:TRIGGER:A:BUS:B2:FLEXRAY:EOFTYPE	STATIC
SEARCH:SEARCH1:TRIGGER:A:BUS:B2:FLEXRAY:ERRTYPE	CRCHEADER
SEARCH:SEARCH1:TRIGGER:A:BUS:B2:FLEXRAY:FRAMEID:HIVALUE	"XXXXXXXXXXXX"
SEARCH:SEARCH1:TRIGGER:A:BUS:B2:FLEXRAY:FRAMEID:QUALIFIER	EQUAL
SEARCH:SEARCH1:TRIGGER:A:BUS:B2:FLEXRAY:FRAMEID:VALUE	"XXXXXXXXXXXX"
SEARCH:SEARCH1:TRIGGER:A:BUS:B2:FLEXRAY:FRAMETYPE	NORMAL
SEARCH:SEARCH1:TRIGGER:A:BUS:B2:FLEXRAY:HEADER:CRC	"XXXXXXXXXXXX"
SEARCH:SEARCH1:TRIGGER:A:BUS:B2:FLEXRAY:HEADER:CYCLECOUNT	"XXXXXX"
SEARCH:SEARCH1:TRIGGER:A:BUS:B2:FLEXRAY:HEADER:FRAMEID	"XXXXXXXXXXXX"
SEARCH:SEARCH1:TRIGGER:A:BUS:B2:FLEXRAY:HEADER:INDBITS	"XXXXXX"
SEARCH:SEARCH1:TRIGGER:A:BUS:B2:FLEXRAY:HEADER:PAYLENGTH	"XXXXXX"
SEARCH:SEARCH1:TRIGGER:A:BUS:B2:I2C:ADDRESS:MODE	ADDR7
SEARCH:SEARCH1:TRIGGER:A:BUS:B2:I2C:ADDRESS:TYPE	USER
SEARCH:SEARCH1:TRIGGER:A:BUS:B2:I2C:ADDRESS:VALUE	"XXXXXX"
SEARCH:SEARCH1:TRIGGER:A:BUS:B2:I2C:CONDITION	START
SEARCH:SEARCH1:TRIGGER:A:BUS:B2:I2C:DATA:DIRECTION	NOCARE

Table C-1: Default Values (cont.)

Item	Description
SEARCH:SEARCH1:TRIGGER:A:BUS:B2:I2C:DATA:SIZE	1
SEARCH:SEARCH1:TRIGGER:A:BUS:B2:I2C:DATA:VALUE	"XXXXXXXX"
SEARCH:SEARCH1:TRIGGER:A:BUS:B2:LIN:CONDITION	SYNCFIELD
SEARCH:SEARCH1:TRIGGER:A:BUS:B2:LIN:DATA:HIVALUE	"XXXXXXXX"
SEARCH:SEARCH1:TRIGGER:A:BUS:B2:LIN:DATA:QUALIFIER	EQUAL
SEARCH:SEARCH1:TRIGGER:A:BUS:B2:LIN:DATA:SIZE	1
SEARCH:SEARCH1:TRIGGER:A:BUS:B2:LIN:DATA:VALUE	"XXXXXXXX"
SEARCH:SEARCH1:TRIGGER:A:BUS:B2:LIN:ERRTYPE	SYNC
SEARCH:SEARCH1:TRIGGER:A:BUS:B2:LIN:IDENTIFIER:VALUE	"XXXXXX"
SEARCH:SEARCH1:TRIGGER:A:BUS:B2:MIL1553B:COMMAND:ADDRESS:HIVALUE	"XXXXX"
SEARCH:SEARCH1:TRIGGER:A:BUS:B2:MIL1553B:COMMAND:ADDRESS:QUALIFIER	EQUAL
SEARCH:SEARCH1:TRIGGER:A:BUS:B2:MIL1553B:COMMAND:ADDRESS:VALUE	"XXXXX"
SEARCH:SEARCH1:TRIGGER:A:BUS:B2:MIL1553B:COMMAND:COUNT	"XXXXX"
SEARCH:SEARCH1:TRIGGER:A:BUS:B2:MIL1553B:COMMAND:PARITY	X
SEARCH:SEARCH1:TRIGGER:A:BUS:B2:MIL1553B:COMMAND:SUBADDRESS	"XXXXX"
SEARCH:SEARCH1:TRIGGER:A:BUS:B2:MIL1553B:COMMAND:TRBIT	X
SEARCH:SEARCH1:TRIGGER:A:BUS:B2:MIL1553B:CONDITION	SYNC
SEARCH:SEARCH1:TRIGGER:A:BUS:B2:MIL1553B:DATA:PARITY	X
SEARCH:SEARCH1:TRIGGER:A:BUS:B2:MIL1553B:DATA:VALUE	"XXXXXXXXXXXXXXXXXXXX"
SEARCH:SEARCH1:TRIGGER:A:BUS:B2:MIL1553B:ERRTYPE	PARITY
SEARCH:SEARCH1:TRIGGER:A:BUS:B2:MIL1553B:STATUS:ADDRESS:HIVALUE	"XXXXX"
SEARCH:SEARCH1:TRIGGER:A:BUS:B2:MIL1553B:STATUS:ADDRESS:QUALIFIER	EQUAL
SEARCH:SEARCH1:TRIGGER:A:BUS:B2:MIL1553B:STATUS:ADDRESS:VALUE	"XXXXX"
SEARCH:SEARCH1:TRIGGER:A:BUS:B2:MIL1553B:STATUS:BIT:BCR	X
SEARCH:SEARCH1:TRIGGER:A:BUS:B2:MIL1553B:STATUS:BIT:BUSY	X
SEARCH:SEARCH1:TRIGGER:A:BUS:B2:MIL1553B:STATUS:BIT:DBCA	X
SEARCH:SEARCH1:TRIGGER:A:BUS:B2:MIL1553B:STATUS:BIT:INSTR	X
SEARCH:SEARCH1:TRIGGER:A:BUS:B2:MIL1553B:STATUS:BIT:ME	X
SEARCH:SEARCH1:TRIGGER:A:BUS:B2:MIL1553B:STATUS:BIT:SRQ	X
SEARCH:SEARCH1:TRIGGER:A:BUS:B2:MIL1553B:STATUS:BIT:SBSF	X
SEARCH:SEARCH1:TRIGGER:A:BUS:B2:MIL1553B:STATUS:BIT:TF	X
SEARCH:SEARCH1:TRIGGER:A:BUS:B2:MIL1553B:STATUS:PARITY	X

Table C-1: Default Values (cont.)

Item	Description
SEARCH:SEARCH1:TRIGGER:A:BUS:B2:MIL1553B:TIME:LESSLIMIT	4.0000E-6
SEARCH:SEARCH1:TRIGGER:A:BUS:B2:MIL1553B:TIME:MORELIMIT	12.0000E-6
SEARCH:SEARCH1:TRIGGER:A:BUS:B2:MIL1553B:TIME:QUALIFIER	MORETHAN
SEARCH:SEARCH1:TRIGGER:A:BUS:B2:PARALLEL:VALUE	"XXXXXXXXXXXXXXXXXX"
SEARCH:SEARCH1:TRIGGER:A:BUS:B2:RS232C:CONDITION	TXSTART
SEARCH:SEARCH1:TRIGGER:A:BUS:B2:RS232C:RX:DATA:SIZE	1
SEARCH:SEARCH1:TRIGGER:A:BUS:B2:RS232C:RX:DATA:VALUE	"XXXXXXXX"
SEARCH:SEARCH1:TRIGGER:A:BUS:B2:RS232C:TX:DATA:SIZE	1
SEARCH:SEARCH1:TRIGGER:A:BUS:B2:RS232C:TX:DATA:VALUE	"XXXXXXXX"
SEARCH:SEARCH1:TRIGGER:A:BUS:B2:SPI:CONDITION	SS
SEARCH:SEARCH1:TRIGGER:A:BUS:B2:SPI:DATA:MISO:VALUE	"XXXXXXXX"
SEARCH:SEARCH1:TRIGGER:A:BUS:B2:SPI:DATA:MOSI:VALUE	"XXXXXXXX"
SEARCH:SEARCH1:TRIGGER:A:BUS:B2:SPI:DATA:SIZE	1
SEARCH:SEARCH1:TRIGGER:A:BUS:B2:USB:ADDRESS:HIVALUE	"XXXXXXXX"
SEARCH:SEARCH1:TRIGGER:A:BUS:B2:USB:ADDRESS:VALUE	"XXXXXXXX"
SEARCH:SEARCH1:TRIGGER:A:BUS:B2:USB:CONDITION	SYNC
SEARCH:SEARCH1:TRIGGER:A:BUS:B2:USB:DATA:HIVALUE	"XXXXXXXX"
SEARCH:SEARCH1:TRIGGER:A:BUS:B2:USB:DATA:OFFSET	-1
SEARCH:SEARCH1:TRIGGER:A:BUS:B2:USB:DATA:SIZE	1
SEARCH:SEARCH1:TRIGGER:A:BUS:B2:USB:DATA:TYPE	ANY
SEARCH:SEARCH1:TRIGGER:A:BUS:B2:USB:DATA:VALUE	"XXXXXXXX"
SEARCH:SEARCH1:TRIGGER:A:BUS:B2:USB:ENDPOINT:VALUE	"XXXX"
SEARCH:SEARCH1:TRIGGER:A:BUS:B2:USB:ERRTYPE	PID
SEARCH:SEARCH1:TRIGGER:A:BUS:B2:USB:HANDSHAKETYPE	ANY
SEARCH:SEARCH1:TRIGGER:A:BUS:B2:USB:QUALIFIER	EQUAL
SEARCH:SEARCH1:TRIGGER:A:BUS:B2:USB:SOFFRAMENUMBER	"XXXXXXXXXXXX"
SEARCH:SEARCH1:TRIGGER:A:BUS:B2:USB:SPECIALTYPE	ANY
SEARCH:SEARCH1:TRIGGER:A:BUS:B2:USB:SPLIT:ET:VALUE	NOCARE
SEARCH:SEARCH1:TRIGGER:A:BUS:B2:USB:SPLIT:HUB:VALUE	"XXXXXXXX"
SEARCH:SEARCH1:TRIGGER:A:BUS:B2:USB:SPLIT:PORT:VALUE	"XXXXXXXX"
SEARCH:SEARCH1:TRIGGER:A:BUS:B2:USB:SPLIT:SC:VALUE	NOCARE
SEARCH:SEARCH1:TRIGGER:A:BUS:B2:USB:SPLIT:SE:VALUE	NOCARE
SEARCH:SEARCH1:TRIGGER:A:BUS:B2:USB:TOKENTYPE	ANY
SEARCH:SEARCH1:TRIGGER:A:BUS:B3:AUDIO:CONDITION	SOF
SEARCH:SEARCH1:TRIGGER:A:BUS:B3:AUDIO:DATA:HIVALUE	"XXXXXXXXXXXXXXXXXXXX XXXXX"
SEARCH:SEARCH1:TRIGGER:A:BUS:B3:AUDIO:DATA:OFFSET	0
SEARCH:SEARCH1:TRIGGER:A:BUS:B3:AUDIO:DATA:QUALIFIER	EQUAL

Table C-1: Default Values (cont.)

Item	Description
SEARCH:SEARCH1:TRIGGER:A:BUS:B3:AUDIO:DATA:VALUE	"XXXXXXXXXXXXXXXXXXXX XXXXX"
SEARCH:SEARCH1:TRIGGER:A:BUS:B3:AUDIO:DATA:WORD	EITHER
SEARCH:SEARCH1:TRIGGER:A:BUS:B3:CAN:CONDITION	SOF
SEARCH:SEARCH1:TRIGGER:A:BUS:B3:CAN:DATA:DIRECTION	NOCARE
SEARCH:SEARCH1:TRIGGER:A:BUS:B3:CAN:DATA:QUALIFIER	EQUAL
SEARCH:SEARCH1:TRIGGER:A:BUS:B3:CAN:DATA:SIZE	1
SEARCH:SEARCH1:TRIGGER:A:BUS:B3:CAN:DATA:VALUE	"XXXXXXXX"
SEARCH:SEARCH1:TRIGGER:A:BUS:B3:CAN:FRAMETYPE	DATA
SEARCH:SEARCH1:TRIGGER:A:BUS:B3:CAN:IDENTIFIER:MODE	STANDARD
SEARCH:SEARCH1:TRIGGER:A:BUS:B3:CAN:IDENTIFIER:VALUE	"XXXXXXXXXXXX"
SEARCH:SEARCH1:TRIGGER:A:BUS:B3:ETHERNET:CONDITION	SFD
SEARCH:SEARCH1:TRIGGER:A:BUS:B3:ETHERNET:DATA:HIVALUE	"XXXXXXXX"
SEARCH:SEARCH1:TRIGGER:A:BUS:B3:ETHERNET:DATA:OFFSET	-1
SEARCH:SEARCH1:TRIGGER:A:BUS:B3:ETHERNET:DATA:SIZE	1
SEARCH:SEARCH1:TRIGGER:A:BUS:B3:ETHERNET:DATA:VALUE	"XXXXXXXX"
SEARCH:SEARCH1:TRIGGER:A:BUS:B3:ETHERNET:FRAMETYPE	BASIC
SEARCH:SEARCH1:TRIGGER:A:BUS:B3:ETHERNET:IPHEADER:DESTINATIONADDR:VALUE	"XXXXXXXXXXXXXXXXXXXX XXXXXXXXXXXXXXXX"
SEARCH:SEARCH1:TRIGGER:A:BUS:B3:ETHERNET:IPHEADER:PROTOCOL:VALUE	"XXXXXXXX"
SEARCH:SEARCH1:TRIGGER:A:BUS:B3:ETHERNET:IPHEADER:SOURCEADDR:VALUE	"XXXXXXXXXXXXXXXXXXXX XXXXXXXXXXXXXXXX"
SEARCH:SEARCH1:TRIGGER:A:BUS:B3:ETHERNET:MAC:ADDRESS:DESTINATION:VALUE	"XXXXXXXXXXXXXXXXXXXXXXXX XXXXXXXXXXXXXXXXXXXXXXXX"
SEARCH:SEARCH1:TRIGGER:A:BUS:B3:ETHERNET:MAC:ADDRESS:SOURCE:VALUE	"XXXXXXXXXXXXXXXXXXXXXXXX XXXXXXXXXXXXXXXXXXXXXXXX"
SEARCH:SEARCH1:TRIGGER:A:BUS:B3:ETHERNET:MAC:LENGTH:HIVALUE	"XXXXXXXXXXXXXXXX"
SEARCH:SEARCH1:TRIGGER:A:BUS:B3:ETHERNET:MAC:LENGTH:VALUE	"XXXXXXXXXXXXXXXX"
SEARCH:SEARCH1:TRIGGER:A:BUS:B3:ETHERNET:QTAG:VALUE	"XXXXXXXXXXXXXXXXXXXX XXXXXXXXXXX"
SEARCH:SEARCH1:TRIGGER:A:BUS:B3:ETHERNET:QUALIFIER	EQUAL
SEARCH:SEARCH1:TRIGGER:A:BUS:B3:ETHERNET:TCPHEADER:ACKNUM:VALUE	"XXXXXXXXXXXXXXXXXXXXXXXXXXXXXXXXXXXX"
SEARCH:SEARCH1:TRIGGER:A:BUS:B3:ETHERNET:TCPHEADER:DESTINATIONPORT:VALUE	"XXXXXXXXXXXXXXXX"
SEARCH:SEARCH1:TRIGGER:A:BUS:B3:ETHERNET:TCPHEADER:SEQNUM:VALUE	"XXXXXXXXXXXXXXXXXXXX XXXXXXXXXXXXXXXX"
SEARCH:SEARCH1:TRIGGER:A:BUS:B3:ETHERNET:TCPHEADER:SOURCEPORT:VALUE	"XXXXXXXXXXXXXXXX"

Table C-1: Default Values (cont.)

Item	Description
SEARCH:SEARCH1:TRIGGER:A:BUS:B3:FLEXRAY:CONDITION	SOF
SEARCH:SEARCH1:TRIGGER:A:BUS:B3:FLEXRAY:CYCLECOUNT:HIVALUE	"XXXXXX"
SEARCH:SEARCH1:TRIGGER:A:BUS:B3:FLEXRAY:CYCLECOUNT:QUALIFIER	EQUAL
SEARCH:SEARCH1:TRIGGER:A:BUS:B3:FLEXRAY:CYCLECOUNT:VALUE	"XXXXXX"
SEARCH:SEARCH1:TRIGGER:A:BUS:B3:FLEXRAY:DATA:HIVALUE	"XXXXXXXXX"
SEARCH:SEARCH1:TRIGGER:A:BUS:B3:FLEXRAY:DATA:OFFSET	-1
SEARCH:SEARCH1:TRIGGER:A:BUS:B3:FLEXRAY:DATA:QUALIFIER	EQUAL
SEARCH:SEARCH1:TRIGGER:A:BUS:B3:FLEXRAY:DATA:SIZE	1
SEARCH:SEARCH1:TRIGGER:A:BUS:B3:FLEXRAY:DATA:VALUE	"XXXXXXXXX"
SEARCH:SEARCH1:TRIGGER:A:BUS:B3:FLEXRAY:EOFTYPE	STATIC
SEARCH:SEARCH1:TRIGGER:A:BUS:B3:FLEXRAY:ERRTYPE	CRCHEADER
SEARCH:SEARCH1:TRIGGER:A:BUS:B3:FLEXRAY:FRAMEID:HIVALUE	"XXXXXXXXXXXX"
SEARCH:SEARCH1:TRIGGER:A:BUS:B3:FLEXRAY:FRAMEID:QUALIFIER	EQUAL
SEARCH:SEARCH1:TRIGGER:A:BUS:B3:FLEXRAY:FRAMEID:VALUE	"XXXXXXXXXXXX"
SEARCH:SEARCH1:TRIGGER:A:BUS:B3:FLEXRAY:FRAMETYPE	NORMAL
SEARCH:SEARCH1:TRIGGER:A:BUS:B3:FLEXRAY:HEADER:CRC	"XXXXXXXXXXXX"
SEARCH:SEARCH1:TRIGGER:A:BUS:B3:FLEXRAY:HEADER:CYCLECOUNT	"XXXXXX"
SEARCH:SEARCH1:TRIGGER:A:BUS:B3:FLEXRAY:HEADER:FRAMEID	"XXXXXXXXXXXX"
SEARCH:SEARCH1:TRIGGER:A:BUS:B3:FLEXRAY:HEADER:INDBITS	"XXXXX"
SEARCH:SEARCH1:TRIGGER:A:BUS:B3:FLEXRAY:HEADER:PAYLENGTH	"XXXXXX"
SEARCH:SEARCH1:TRIGGER:A:BUS:B3:I2C:ADDRESS:MODE	ADDR7
SEARCH:SEARCH1:TRIGGER:A:BUS:B3:I2C:ADDRESS:TYPE	USER
SEARCH:SEARCH1:TRIGGER:A:BUS:B3:I2C:ADDRESS:VALUE	"XXXXXX"
SEARCH:SEARCH1:TRIGGER:A:BUS:B3:I2C:CONDITION	START
SEARCH:SEARCH1:TRIGGER:A:BUS:B3:I2C:DATA:DIRECTION	NO CARE
SEARCH:SEARCH1:TRIGGER:A:BUS:B3:I2C:DATA:SIZE	1
SEARCH:SEARCH1:TRIGGER:A:BUS:B3:I2C:DATA:VALUE	"XXXXXXXXX"
SEARCH:SEARCH1:TRIGGER:A:BUS:B3:LIN:CONDITION	SYNCFIELD
SEARCH:SEARCH1:TRIGGER:A:BUS:B3:LIN:DATA:HIVALUE	"XXXXXXXXX"
SEARCH:SEARCH1:TRIGGER:A:BUS:B3:LIN:DATA:QUALIFIER	EQUAL
SEARCH:SEARCH1:TRIGGER:A:BUS:B3:LIN:DATA:SIZE	1
SEARCH:SEARCH1:TRIGGER:A:BUS:B3:LIN:DATA:VALUE	"XXXXXXXXX"
SEARCH:SEARCH1:TRIGGER:A:BUS:B3:LIN:ERRTYPE	SYNC
SEARCH:SEARCH1:TRIGGER:A:BUS:B3:LIN:IDENTIFIER:VALUE	"XXXXXX"
SEARCH:SEARCH1:TRIGGER:A:BUS:B3:MIL1553B:COMMAND:ADDRESS:HIVALUE	"XXXXX"

Table C-1: Default Values (cont.)

Item	Description
SEARCH:SEARCH1:TRIGGER:A:BUS:B3:MIL1553B:COMMAND:ADDRESS:QUALIFIER	EQUAL
SEARCH:SEARCH1:TRIGGER:A:BUS:B3:MIL1553B:COMMAND:ADDRESS:VALUE	"XXXXX"
SEARCH:SEARCH1:TRIGGER:A:BUS:B3:MIL1553B:COMMAND:COUNT	"XXXXX"
SEARCH:SEARCH1:TRIGGER:A:BUS:B3:MIL1553B:COMMAND:PARITY	X
SEARCH:SEARCH1:TRIGGER:A:BUS:B3:MIL1553B:COMMAND:SUBADDRESS	"XXXXX"
SEARCH:SEARCH1:TRIGGER:A:BUS:B3:MIL1553B:COMMAND:TRBIT	X
SEARCH:SEARCH1:TRIGGER:A:BUS:B3:MIL1553B:CONDITION	SYNC
SEARCH:SEARCH1:TRIGGER:A:BUS:B3:MIL1553B:DATA:PARITY	X
SEARCH:SEARCH1:TRIGGER:A:BUS:B3:MIL1553B:DATA:VALUE	"XXXXXXXXXXXXXXXXXXXX"
SEARCH:SEARCH1:TRIGGER:A:BUS:B3:MIL1553B:ERRTYPE	PARITY
SEARCH:SEARCH1:TRIGGER:A:BUS:B3:MIL1553B:STATus:ADDRESS:HIVALUE	"XXXXX"
SEARCH:SEARCH1:TRIGGER:A:BUS:B3:MIL1553B:STATus:ADDRESS:QUALIFIER	EQUAL
SEARCH:SEARCH1:TRIGGER:A:BUS:B3:MIL1553B:STATus:ADDRESS:VALUE	"XXXXX"
SEARCH:SEARCH1:TRIGGER:A:BUS:B3:MIL1553B:STATus:BIT:BCR	X
SEARCH:SEARCH1:TRIGGER:A:BUS:B3:MIL1553B:STATus:BIT:BUSY	X
SEARCH:SEARCH1:TRIGGER:A:BUS:B3:MIL1553B:STATus:BIT:DBCA	X
SEARCH:SEARCH1:TRIGGER:A:BUS:B3:MIL1553B:STATus:BIT:INSTR	X
SEARCH:SEARCH1:TRIGGER:A:BUS:B3:MIL1553B:STATus:BIT:ME	X
SEARCH:SEARCH1:TRIGGER:A:BUS:B3:MIL1553B:STATus:BIT:SRQ	X
SEARCH:SEARCH1:TRIGGER:A:BUS:B3:MIL1553B:STATus:BIT:SBSF	X
SEARCH:SEARCH1:TRIGGER:A:BUS:B3:MIL1553B:STATus:BIT:TF	X
SEARCH:SEARCH1:TRIGGER:A:BUS:B3:MIL1553B:STATus:PARITY	X
SEARCH:SEARCH1:TRIGGER:A:BUS:B3:MIL1553B:TIME:LESSLIMIT	4.0000E-6
SEARCH:SEARCH1:TRIGGER:A:BUS:B3:MIL1553B:TIME:MORELIMIT	12.0000E-6
SEARCH:SEARCH1:TRIGGER:A:BUS:B3:MIL1553B:TIME:QUALIFIER	MORETHAN
SEARCH:SEARCH1:TRIGGER:A:BUS:B3:PARALLEL:VALUE	"XXXXXXXXXXXXXXXXXXXX"
SEARCH:SEARCH1:TRIGGER:A:BUS:B3:RS232C:CONDITION	TXSTART
SEARCH:SEARCH1:TRIGGER:A:BUS:B3:RS232C:RX:DATA:SIZE	1
SEARCH:SEARCH1:TRIGGER:A:BUS:B3:RS232C:RX:DATA:VALUE	"XXXXXXXXX"
SEARCH:SEARCH1:TRIGGER:A:BUS:B3:RS232C:TX:DATA:SIZE	1
SEARCH:SEARCH1:TRIGGER:A:BUS:B3:RS232C:TX:DATA:VALUE	"XXXXXXXXX"
SEARCH:SEARCH1:TRIGGER:A:BUS:B3:SPI:CONDITION	SS
SEARCH:SEARCH1:TRIGGER:A:BUS:B3:SPI:DATA:MISO:VALUE	"XXXXXXXXX"

Table C-1: Default Values (cont.)

Item	Description
SEARCH:SEARCH1:TRIGGER:A:BUS:B3:SPI:DATA:MOSI:VALUE	"XXXXXXXX"
SEARCH:SEARCH1:TRIGGER:A:BUS:B3:SPI:DATA:SIZE	1
SEARCH:SEARCH1:TRIGGER:A:BUS:B3:USB:ADDRESS:HIVALUE	"XXXXXXXX"
SEARCH:SEARCH1:TRIGGER:A:BUS:B3:USB:ADDRESS:VALUE	"XXXXXXXX"
SEARCH:SEARCH1:TRIGGER:A:BUS:B3:USB:CONDITION	SYNC
SEARCH:SEARCH1:TRIGGER:A:BUS:B3:USB:DATA:HIVALUE	"XXXXXXXX"
SEARCH:SEARCH1:TRIGGER:A:BUS:B3:USB:DATA:OFFSET	-1
SEARCH:SEARCH1:TRIGGER:A:BUS:B3:USB:DATA:SIZE	1
SEARCH:SEARCH1:TRIGGER:A:BUS:B3:USB:DATA:TYPE	ANY
SEARCH:SEARCH1:TRIGGER:A:BUS:B3:USB:DATA:VALUE	"XXXXXXXX"
SEARCH:SEARCH1:TRIGGER:A:BUS:B3:USB:ENDPOINT:VALUE	"XXXX"
SEARCH:SEARCH1:TRIGGER:A:BUS:B3:USB:ERRTYPE	PID
SEARCH:SEARCH1:TRIGGER:A:BUS:B3:USB:HANDSHAKETYPE	ANY
SEARCH:SEARCH1:TRIGGER:A:BUS:B3:USB:QUALIFIER	EQUAL
SEARCH:SEARCH1:TRIGGER:A:BUS:B3:USB:SOFFRAMENUMBER	"XXXXXXXXXXXX"
SEARCH:SEARCH1:TRIGGER:A:BUS:B3:USB:SPECIALTYPE	ANY
SEARCH:SEARCH1:TRIGGER:A:BUS:B3:USB:SPLIT:ET:VALUE	NOCARE
SEARCH:SEARCH1:TRIGGER:A:BUS:B3:USB:SPLIT:HUB:VALUE	"XXXXXXXX"
SEARCH:SEARCH1:TRIGGER:A:BUS:B3:USB:SPLIT:PORT:VALUE	"XXXXXXXX"
SEARCH:SEARCH1:TRIGGER:A:BUS:B3:USB:SPLIT:SC:VALUE	NOCARE
SEARCH:SEARCH1:TRIGGER:A:BUS:B3:USB:SPLIT:SE:VALUE	NOCARE
SEARCH:SEARCH1:TRIGGER:A:BUS:B3:USB:TOKENTYPE	ANY
SEARCH:SEARCH1:TRIGGER:A:BUS:B4:AUDIO:CONDITION	SOF
SEARCH:SEARCH1:TRIGGER:A:BUS:B4:AUDIO:DATA:HIVALUE	"XXXXXXXXXXXXXXXXXXXX XXXXXX"
SEARCH:SEARCH1:TRIGGER:A:BUS:B4:AUDIO:DATA:OFFSET	0
SEARCH:SEARCH1:TRIGGER:A:BUS:B4:AUDIO:DATA:QUALIFIER	EQUAL
SEARCH:SEARCH1:TRIGGER:A:BUS:B4:AUDIO:DATA:VALUE	"XXXXXXXXXXXXXXXXXXXX XXXXXX"
SEARCH:SEARCH1:TRIGGER:A:BUS:B4:AUDIO:DATA:WORD	EITHER
SEARCH:SEARCH1:TRIGGER:A:BUS:B4:CAN:CONDITION	SOF
SEARCH:SEARCH1:TRIGGER:A:BUS:B4:CAN:DATA:DIRECTION	NOCARE
SEARCH:SEARCH1:TRIGGER:A:BUS:B4:CAN:DATA:QUALIFIER	EQUAL
SEARCH:SEARCH1:TRIGGER:A:BUS:B4:CAN:DATA:SIZE	1
SEARCH:SEARCH1:TRIGGER:A:BUS:B4:CAN:DATA:VALUE	"XXXXXXXX"
SEARCH:SEARCH1:TRIGGER:A:BUS:B4:CAN:FRAMETYPE	DATA
SEARCH:SEARCH1:TRIGGER:A:BUS:B4:CAN:IDENTIFIER:MODE	STANDARD
SEARCH:SEARCH1:TRIGGER:A:BUS:B4:CAN:IDENTIFIER:VALUE	"XXXXXXXXXXXX"
SEARCH:SEARCH1:TRIGGER:A:BUS:B4:ETHERNET:CONDITION	SFD

Table C-1: Default Values (cont.)

Item	Description
SEARCH:SEARCH1:TRIGGER:A:BUS:B4:FLEXRAY:FRAMEID:HIVALUE	"XXXXXXXXXXXX"
SEARCH:SEARCH1:TRIGGER:A:BUS:B4:FLEXRAY:FRAMEID:QUALIFIER	EQUAL
SEARCH:SEARCH1:TRIGGER:A:BUS:B4:FLEXRAY:FRAMEID:VALUE	"XXXXXXXXXXXX"
SEARCH:SEARCH1:TRIGGER:A:BUS:B4:FLEXRAY:FRAMETYPE	NORMAL
SEARCH:SEARCH1:TRIGGER:A:BUS:B4:FLEXRAY:HEADER:CRC	"XXXXXXXXXXXX"
SEARCH:SEARCH1:TRIGGER:A:BUS:B4:FLEXRAY:HEADER:CYCLECOUNT	"XXXXXX"
SEARCH:SEARCH1:TRIGGER:A:BUS:B4:FLEXRAY:HEADER:FRAMEID	"XXXXXXXXXXXX"
SEARCH:SEARCH1:TRIGGER:A:BUS:B4:FLEXRAY:HEADER:INDBITS	"XXXXX"
SEARCH:SEARCH1:TRIGGER:A:BUS:B4:FLEXRAY:HEADER:PAYLENGTH	"XXXXXX"
SEARCH:SEARCH1:TRIGGER:A:BUS:B4:I2C:ADDRESS:MODE	ADDR7
SEARCH:SEARCH1:TRIGGER:A:BUS:B4:I2C:ADDRESS:TYPE	USER
SEARCH:SEARCH1:TRIGGER:A:BUS:B4:I2C:ADDRESS:VALUE	"XXXXXXXX"
SEARCH:SEARCH1:TRIGGER:A:BUS:B4:I2C:CONDITION	START
SEARCH:SEARCH1:TRIGGER:A:BUS:B4:I2C:DATA:DIRECTION	NOCARE
SEARCH:SEARCH1:TRIGGER:A:BUS:B4:I2C:DATA:SIZE	1
SEARCH:SEARCH1:TRIGGER:A:BUS:B4:I2C:DATA:VALUE	"XXXXXXXX"
SEARCH:SEARCH1:TRIGGER:A:BUS:B4:LIN:CONDITION	SYNCFIELD
SEARCH:SEARCH1:TRIGGER:A:BUS:B4:LIN:DATA:HIVALUE	"XXXXXXXX"
SEARCH:SEARCH1:TRIGGER:A:BUS:B4:LIN:DATA:QUALIFIER	EQUAL
SEARCH:SEARCH1:TRIGGER:A:BUS:B4:LIN:DATA:SIZE	1
SEARCH:SEARCH1:TRIGGER:A:BUS:B4:LIN:DATA:VALUE	"XXXXXXXX"
SEARCH:SEARCH1:TRIGGER:A:BUS:B4:LIN:ERRTYPE	SYNC
SEARCH:SEARCH1:TRIGGER:A:BUS:B4:LIN:IDENTIFIER:VALUE	"XXXXXX"
SEARCH:SEARCH1:TRIGGER:A:BUS:B4:MIL1553B:COMMAND:ADDRESS:HIVALUE	"XXXXX"
SEARCH:SEARCH1:TRIGGER:A:BUS:B4:MIL1553B:COMMAND:ADDRESS:QUALIFIER	EQUAL
SEARCH:SEARCH1:TRIGGER:A:BUS:B4:MIL1553B:COMMAND:ADDRESS:VALUE	"XXXXX"
SEARCH:SEARCH1:TRIGGER:A:BUS:B4:MIL1553B:COMMAND:COUNT	"XXXXX"
SEARCH:SEARCH1:TRIGGER:A:BUS:B4:MIL1553B:COMMAND:PARITY	X
SEARCH:SEARCH1:TRIGGER:A:BUS:B4:MIL1553B:COMMAND:SUBADDRESS	"XXXXX"
SEARCH:SEARCH1:TRIGGER:A:BUS:B4:MIL1553B:COMMAND:TRBIT	X
SEARCH:SEARCH1:TRIGGER:A:BUS:B4:MIL1553B:CONDITION	SYNC
SEARCH:SEARCH1:TRIGGER:A:BUS:B4:MIL1553B:DATA:PARITY	X
SEARCH:SEARCH1:TRIGGER:A:BUS:B4:MIL1553B:DATA:VALUE	"XXXXXXXXXXXXXXXXXXXX"
SEARCH:SEARCH1:TRIGGER:A:BUS:B4:MIL1553B:ERRTYPE	PARITY

Table C-1: Default Values (cont.)

Item	Description
SEARCH:SEARCH1:TRIGGER:A:BUS:B4:MIL1553B:STATus:ADDRESS:HIVALUE	"XXXXXX"
SEARCH:SEARCH1:TRIGGER:A:BUS:B4:MIL1553B:STATus:ADDRESS:QUALIFIER	EQUAL
SEARCH:SEARCH1:TRIGGER:A:BUS:B4:MIL1553B:STATus:ADDRESS:VALUE	"XXXXXX"
SEARCH:SEARCH1:TRIGGER:A:BUS:B4:MIL1553B:STATus:BIT:BCR	X
SEARCH:SEARCH1:TRIGGER:A:BUS:B4:MIL1553B:STATus:BIT:BUSY	X
SEARCH:SEARCH1:TRIGGER:A:BUS:B4:MIL1553B:STATus:BIT:DBCA	X
SEARCH:SEARCH1:TRIGGER:A:BUS:B4:MIL1553B:STATus:BIT:INSTR	X
SEARCH:SEARCH1:TRIGGER:A:BUS:B4:MIL1553B:STATus:BIT:ME	X
SEARCH:SEARCH1:TRIGGER:A:BUS:B4:MIL1553B:STATus:BIT:SRQ	X
SEARCH:SEARCH1:TRIGGER:A:BUS:B4:MIL1553B:STATus:BIT:SBSF	X
SEARCH:SEARCH1:TRIGGER:A:BUS:B4:MIL1553B:STATus:BIT:TF	X
SEARCH:SEARCH1:TRIGGER:A:BUS:B4:MIL1553B:STATus:PARITY	X
SEARCH:SEARCH1:TRIGGER:A:BUS:B4:MIL1553B:TIME:LESSLIMIT	4.0000E-6
SEARCH:SEARCH1:TRIGGER:A:BUS:B4:MIL1553B:TIME:MORELIMIT	12.0000E-6
SEARCH:SEARCH1:TRIGGER:A:BUS:B4:MIL1553B:TIME:QUALIFIER	MORETHAN
SEARCH:SEARCH1:TRIGGER:A:BUS:B4:PARALLEL:VALUE	"XXXXXXXXXXXXXXXXXX"
SEARCH:SEARCH1:TRIGGER:A:BUS:B4:RS232C:CONDITION	TXSTART
SEARCH:SEARCH1:TRIGGER:A:BUS:B4:RS232C:RX:DATA:SIZE	1
SEARCH:SEARCH1:TRIGGER:A:BUS:B4:RS232C:RX:DATA:VALUE	"XXXXXXXXXX"
SEARCH:SEARCH1:TRIGGER:A:BUS:B4:RS232C:TX:DATA:SIZE	1
SEARCH:SEARCH1:TRIGGER:A:BUS:B4:RS232C:TX:DATA:VALUE	"XXXXXXXXXX"
SEARCH:SEARCH1:TRIGGER:A:BUS:B4:SPI:CONDITION	SS
SEARCH:SEARCH1:TRIGGER:A:BUS:B4:SPI:DATA:MISO:VALUE	"XXXXXXXXXX"
SEARCH:SEARCH1:TRIGGER:A:BUS:B4:SPI:DATA:MOSI:VALUE	"XXXXXXXXXX"
SEARCH:SEARCH1:TRIGGER:A:BUS:B4:SPI:DATA:SIZE	1
SEARCH:SEARCH1:TRIGGER:A:BUS:B4:USB:ADDRESS:HIVALUE	"XXXXXXXXXX"
SEARCH:SEARCH1:TRIGGER:A:BUS:B4:USB:ADDRESS:VALUE	"XXXXXXXXXX"
SEARCH:SEARCH1:TRIGGER:A:BUS:B4:USB:CONDITION	SYNC
SEARCH:SEARCH1:TRIGGER:A:BUS:B4:USB:DATA:HIVALUE	"XXXXXXXXXX"
SEARCH:SEARCH1:TRIGGER:A:BUS:B4:USB:DATA:OFFSET	-1
SEARCH:SEARCH1:TRIGGER:A:BUS:B4:USB:DATA:SIZE	1
SEARCH:SEARCH1:TRIGGER:A:BUS:B4:USB:DATA:TYPE	ANY
SEARCH:SEARCH1:TRIGGER:A:BUS:B4:USB:DATA:VALUE	"XXXXXXXXXX"
SEARCH:SEARCH1:TRIGGER:A:BUS:B4:USB:ENDPOINT:VALUE	"XXXX"

Table C-1: Default Values (cont.)

Item	Description
SEARCH:SEARCH1:TRIGGER:A:BUS:B4:USB:ERRTYPE	PID
SEARCH:SEARCH1:TRIGGER:A:BUS:B4:USB:HANDSHAKETYPE	ANY
SEARCH:SEARCH1:TRIGGER:A:BUS:B4:USB:QUALIFIER	EQUAL
SEARCH:SEARCH1:TRIGGER:A:BUS:B4:USB:SOFFRAMENUMBER	"XXXXXXXXXXXX"
SEARCH:SEARCH1:TRIGGER:A:BUS:B4:USB:SPECIALTYPE	ANY
SEARCH:SEARCH1:TRIGGER:A:BUS:B4:USB:SPLIT:ET:VALUE	NOCARE
SEARCH:SEARCH1:TRIGGER:A:BUS:B4:USB:SPLIT:HUB:VALUE	"XXXXXXX"
SEARCH:SEARCH1:TRIGGER:A:BUS:B4:USB:SPLIT:PORT:VALUE	"XXXXXXX"
SEARCH:SEARCH1:TRIGGER:A:BUS:B4:USB:SPLIT:SC:VALUE	NOCARE
SEARCH:SEARCH1:TRIGGER:A:BUS:B4:USB:SPLIT:SE:VALUE	NOCARE
SEARCH:SEARCH1:TRIGGER:A:BUS:B4:USB:TOKENTYPE	ANY
SEARCH:SEARCH1:TRIGGER:A:BUS:SOURCE	B1
SEARCH:SEARCH1:TRIGGER:A:EDGE:SLOPE	RISE
SEARCH:SEARCH1:TRIGGER:A:EDGE:SOURCE	CH1
SEARCH:SEARCH1:TRIGGER:A:LEVEL	0.0E+0
SEARCH:SEARCH1:TRIGGER:A:LEVEL:CH1	0.0E+0
SEARCH:SEARCH1:TRIGGER:A:LEVEL:CH2	0.0E+0
SEARCH:SEARCH1:TRIGGER:A:LEVEL:CH3	0.0E+0
SEARCH:SEARCH1:TRIGGER:A:LEVEL:CH4	0.0E+0
SEARCH:SEARCH1:TRIGGER:A:LEVEL:MATH	0.0E+0
SEARCH:SEARCH1:TRIGGER:A:LEVEL:REF1	0.0E+0
SEARCH:SEARCH1:TRIGGER:A:LEVEL:REF2	0.0E+0
SEARCH:SEARCH1:TRIGGER:A:LEVEL:REF3	0.0E+0
SEARCH:SEARCH1:TRIGGER:A:LEVEL:REF4	0.0E+0
SEARCH:SEARCH1:TRIGGER:A:LEVEL:RF_AMPLITUDE	0.0E+0
SEARCH:SEARCH1:TRIGGER:A:LEVEL:RF_FREQUENCY	0.0E+0
SEARCH:SEARCH1:TRIGGER:A:LEVEL:RF_PHASE	0.0E+0
SEARCH:SEARCH1:TRIGGER:A:LOGIC:FUNCTION	AND
SEARCH:SEARCH1:TRIGGER:A:LOGIC:INPUT:CH1	X
SEARCH:SEARCH1:TRIGGER:A:LOGIC:INPUT:CH2	X
SEARCH:SEARCH1:TRIGGER:A:LOGIC:INPUT:CH3	X
SEARCH:SEARCH1:TRIGGER:A:LOGIC:INPUT:CH4	X
SEARCH:SEARCH1:TRIGGER:A:LOGIC:INPUT:CLOCK:EDGE	RISE
SEARCH:SEARCH1:TRIGGER:A:LOGIC:INPUT:CLOCK:SOURCE	NONE
SEARCH:SEARCH1:TRIGGER:A:LOGIC:INPUT:D0	X
SEARCH:SEARCH1:TRIGGER:A:LOGIC:INPUT:D1	X
SEARCH:SEARCH1:TRIGGER:A:LOGIC:INPUT:D10	X

Table C-1: Default Values (cont.)

Item	Description
SEARCH:SEARCH1:TRIGGER:A:LOGIC:INPUT:D11	X
SEARCH:SEARCH1:TRIGGER:A:LOGIC:INPUT:D12	X
SEARCH:SEARCH1:TRIGGER:A:LOGIC:INPUT:D13	X
SEARCH:SEARCH1:TRIGGER:A:LOGIC:INPUT:D14	X
SEARCH:SEARCH1:TRIGGER:A:LOGIC:INPUT:D15	X
SEARCH:SEARCH1:TRIGGER:A:LOGIC:INPUT:D2	X
SEARCH:SEARCH1:TRIGGER:A:LOGIC:INPUT:D3	X
SEARCH:SEARCH1:TRIGGER:A:LOGIC:INPUT:D4	X
SEARCH:SEARCH1:TRIGGER:A:LOGIC:INPUT:D5	X
SEARCH:SEARCH1:TRIGGER:A:LOGIC:INPUT:D6	X
SEARCH:SEARCH1:TRIGGER:A:LOGIC:INPUT:D7	X
SEARCH:SEARCH1:TRIGGER:A:LOGIC:INPUT:D8	X
SEARCH:SEARCH1:TRIGGER:A:LOGIC:INPUT:D9	X
SEARCH:SEARCH1:TRIGGER:A:LOGIC:INPUT:MATH	X
SEARCH:SEARCH1:TRIGGER:A:LOGIC:INPUT:REF1	X
SEARCH:SEARCH1:TRIGGER:A:LOGIC:INPUT:REF2	X
SEARCH:SEARCH1:TRIGGER:A:LOGIC:INPUT:REF3	X
SEARCH:SEARCH1:TRIGGER:A:LOGIC:INPUT:REF4	X
SEARCH:SEARCH1:TRIGGER:A:LOGIC:INPUT:RF_AMPLITUDE	X
SEARCH:SEARCH1:TRIGGER:A:LOGIC:INPUT:RF_FREQUENCY	X
SEARCH:SEARCH1:TRIGGER:A:LOGIC:INPUT:RF_PHASE	X
SEARCH:SEARCH1:TRIGGER:A:LOGIC:PATTERN:INPUT:CH1	X
SEARCH:SEARCH1:TRIGGER:A:LOGIC:PATTERN:INPUT:CH2	X
SEARCH:SEARCH1:TRIGGER:A:LOGIC:PATTERN:INPUT:CH3	X
SEARCH:SEARCH1:TRIGGER:A:LOGIC:PATTERN:INPUT:CH4	X
SEARCH:SEARCH1:TRIGGER:A:LOGIC:PATTERN:INPUT:D0	X
SEARCH:SEARCH1:TRIGGER:A:LOGIC:PATTERN:INPUT:D1	X
SEARCH:SEARCH1:TRIGGER:A:LOGIC:PATTERN:INPUT:D10	X
SEARCH:SEARCH1:TRIGGER:A:LOGIC:PATTERN:INPUT:D11	X
SEARCH:SEARCH1:TRIGGER:A:LOGIC:PATTERN:INPUT:D12	X
SEARCH:SEARCH1:TRIGGER:A:LOGIC:PATTERN:INPUT:D13	X
SEARCH:SEARCH1:TRIGGER:A:LOGIC:PATTERN:INPUT:D14	X
SEARCH:SEARCH1:TRIGGER:A:LOGIC:PATTERN:INPUT:D15	X
SEARCH:SEARCH1:TRIGGER:A:LOGIC:PATTERN:INPUT:D2	X
SEARCH:SEARCH1:TRIGGER:A:LOGIC:PATTERN:INPUT:D3	X
SEARCH:SEARCH1:TRIGGER:A:LOGIC:PATTERN:INPUT:D4	X
SEARCH:SEARCH1:TRIGGER:A:LOGIC:PATTERN:INPUT:D5	X

Table C-1: Default Values (cont.)

Item	Description
SEARCH:SEARCH1:TRIGGER:A:LOGIC:PATTERN:INPUT:D6	X
SEARCH:SEARCH1:TRIGGER:A:LOGIC:PATTERN:INPUT:D7	X
SEARCH:SEARCH1:TRIGGER:A:LOGIC:PATTERN:INPUT:D8	X
SEARCH:SEARCH1:TRIGGER:A:LOGIC:PATTERN:INPUT:D9	X
SEARCH:SEARCH1:TRIGGER:A:LOGIC:PATTERN:INPUT:MATH	X
SEARCH:SEARCH1:TRIGGER:A:LOGIC:PATTERN:INPUT:REF1	X
SEARCH:SEARCH1:TRIGGER:A:LOGIC:PATTERN:INPUT:REF2	X
SEARCH:SEARCH1:TRIGGER:A:LOGIC:PATTERN:INPUT:REF3	X
SEARCH:SEARCH1:TRIGGER:A:LOGIC:PATTERN:INPUT:REF4	X
SEARCH:SEARCH1:TRIGGER:A:LOGIC:PATTERN:INPUT:RF_AMPLITUDE	X
SEARCH:SEARCH1:TRIGGER:A:LOGIC:PATTERN:INPUT:RF_FREQUENCY	X
SEARCH:SEARCH1:TRIGGER:A:LOGIC:PATTERN:INPUT:RF_PHASE	X
SEARCH:SEARCH1:TRIGGER:A:LOGIC:PATTERN:WHEN	TRUE
SEARCH:SEARCH1:TRIGGER:A:LOGIC:PATTERN:WHEN:LESSLIMIT	8.0000E-9
SEARCH:SEARCH1:TRIGGER:A:LOGIC:PATTERN:WHEN:MORELIMIT	8.0000E-9
SEARCH:SEARCH1:TRIGGER:A:LOGIC:THRESHOLD:CH1	0.0E+0
SEARCH:SEARCH1:TRIGGER:A:LOGIC:THRESHOLD:CH2	0.0E+0
SEARCH:SEARCH1:TRIGGER:A:LOGIC:THRESHOLD:CH3	0.0E+0
SEARCH:SEARCH1:TRIGGER:A:LOGIC:THRESHOLD:CH4	0.0E+0
SEARCH:SEARCH1:TRIGGER:A:LOGIC:THRESHOLD:MATH	0.0E+0
SEARCH:SEARCH1:TRIGGER:A:LOGIC:THRESHOLD:REF1	0.0E+0
SEARCH:SEARCH1:TRIGGER:A:LOGIC:THRESHOLD:REF2	0.0E+0
SEARCH:SEARCH1:TRIGGER:A:LOGIC:THRESHOLD:REF3	0.0E+0
SEARCH:SEARCH1:TRIGGER:A:LOGIC:THRESHOLD:REF4	0.0E+0
SEARCH:SEARCH1:TRIGGER:A:LOGIC:THRESHOLD:RF_AMPLITUDE	0.0E+0
SEARCH:SEARCH1:TRIGGER:A:LOGIC:THRESHOLD:RF_FREQUENCY	0.0E+0
SEARCH:SEARCH1:TRIGGER:A:LOGIC:THRESHOLD:RF_PHASE	0.0E+0
SEARCH:SEARCH1:TRIGGER:A:LOWERTHRESHOLD:CH1	0.0E+0
SEARCH:SEARCH1:TRIGGER:A:LOWERTHRESHOLD:CH2	0.0E+0
SEARCH:SEARCH1:TRIGGER:A:LOWERTHRESHOLD:CH3	0.0E+0
SEARCH:SEARCH1:TRIGGER:A:LOWERTHRESHOLD:CH4	0.0E+0
SEARCH:SEARCH1:TRIGGER:A:LOWERTHRESHOLD:MATH	0.0E+0
SEARCH:SEARCH1:TRIGGER:A:LOWERTHRESHOLD:REF1	0.0E+0
SEARCH:SEARCH1:TRIGGER:A:LOWERTHRESHOLD:REF2	0.0E+0
SEARCH:SEARCH1:TRIGGER:A:LOWERTHRESHOLD:REF3	0.0E+0
SEARCH:SEARCH1:TRIGGER:A:LOWERTHRESHOLD:REF4	0.0E+0
SEARCH:SEARCH1:TRIGGER:A:LOWERTHRESHOLD:RF_AMPLITUDE	0.0E+0

Table C-1: Default Values (cont.)

Item	Description
SEARCH:SEARCH1:TRIGGER:A:LOWERTHRESHOLD:RF_FREQUENCY	0.0E+0
SEARCH:SEARCH1:TRIGGER:A:LOWERTHRESHOLD:RF_PHASE	0.0E+0
SEARCH:SEARCH1:TRIGGER:A:PULSEWIDTH:POLARITY	POSITIVE
SEARCH:SEARCH1:TRIGGER:A:PULSEWIDTH:WHEN	LESSTHAN
SEARCH:SEARCH1:TRIGGER:A:PULSEWIDTH:WIDTH	8.0000E-9
SEARCH:SEARCH1:TRIGGER:A:RUNT:POLARITY	POSITIVE
SEARCH:SEARCH1:TRIGGER:A:RUNT:WHEN	OCCURS
SEARCH:SEARCH1:TRIGGER:A:RUNT:WIDTH	8.0000E-9
SEARCH:SEARCH1:TRIGGER:A:SETHOLD:CLOCK:EDGE	RISE
SEARCH:SEARCH1:TRIGGER:A:SETHOLD:CLOCK:SOURCE	CH1
SEARCH:SEARCH1:TRIGGER:A:SETHOLD:CLOCK:THRESHOLD	0.0E+0
SEARCH:SEARCH1:TRIGGER:A:SETHOLD:DATA:SOURCE	NONE
SEARCH:SEARCH1:TRIGGER:A:SETHOLD:DATA:THRESHOLD	9.9100E+37
SEARCH:SEARCH1:TRIGGER:A:SETHOLD:HOLDTIME	8.0000E-9
SEARCH:SEARCH1:TRIGGER:A:SETHOLD:SETTIME	8.0000E-9
SEARCH:SEARCH1:TRIGGER:A:SETHOLD:THRESHOLD:CH1	0.0E+0
SEARCH:SEARCH1:TRIGGER:A:SETHOLD:THRESHOLD:CH2	0.0E+0
SEARCH:SEARCH1:TRIGGER:A:SETHOLD:THRESHOLD:CH3	0.0E+0
SEARCH:SEARCH1:TRIGGER:A:SETHOLD:THRESHOLD:CH4	0.0E+0
SEARCH:SEARCH1:TRIGGER:A:SETHOLD:THRESHOLD:MATH	0.0E+0
SEARCH:SEARCH1:TRIGGER:A:SETHOLD:THRESHOLD:REF1	0.0E+0
SEARCH:SEARCH1:TRIGGER:A:SETHOLD:THRESHOLD:REF2	0.0E+0
SEARCH:SEARCH1:TRIGGER:A:SETHOLD:THRESHOLD:REF3	0.0E+0
SEARCH:SEARCH1:TRIGGER:A:SETHOLD:THRESHOLD:REF4	0.0E+0
SEARCH:SEARCH1:TRIGGER:A:TIMEOUT:POLARITY	STAYSHIGH
SEARCH:SEARCH1:TRIGGER:A:TIMEOUT:TIME	8.0000E-9
SEARCH:SEARCH1:TRIGGER:A:TRANSITION:DELTATIME	8.0000E-9
SEARCH:SEARCH1:TRIGGER:A:TRANSITION:POLARITY	POSITIVE
SEARCH:SEARCH1:TRIGGER:A:TRANSITION:WHEN	SLOWER
SEARCH:SEARCH1:TRIGGER:A:TYPE	EDGE
SEARCH:SEARCH1:TRIGGER:A:UPPERTHRESHOLD:CH1	1.4000
SEARCH:SEARCH1:TRIGGER:A:UPPERTHRESHOLD:CH2	800.0000E-3
SEARCH:SEARCH1:TRIGGER:A:UPPERTHRESHOLD:CH3	800.0000E-3
SEARCH:SEARCH1:TRIGGER:A:UPPERTHRESHOLD:CH4	800.0000E-3
SEARCH:SEARCH1:TRIGGER:A:UPPERTHRESHOLD:MATH	800.0000E-3
SEARCH:SEARCH1:TRIGGER:A:UPPERTHRESHOLD:REF1	800.0000E-3
SEARCH:SEARCH1:TRIGGER:A:UPPERTHRESHOLD:REF2	800.0000E-3

Table C-1: Default Values (cont.)

Item	Description
SEARCH:SEARCH1:TRIGGER:A:UPPERTHRESHOLD:REF3	800.0000E-3
SEARCH:SEARCH1:TRIGGER:A:UPPERTHRESHOLD:REF4	800.0000E-3
SEARCH:SEARCH1:TRIGGER:A:UPPERTHRESHOLD:RF_AMPLITUDE	1.4000
SEARCH:SEARCH1:TRIGGER:A:UPPERTHRESHOLD:RF_FREQUENCY	1.4000
SEARCH:SEARCH1:TRIGGER:A:UPPERTHRESHOLD:RF_PHASE	1.4000
SELECT:BUS1	0
SELECT:BUS2	0
SELECT:BUS3	0
SELECT:BUS4	0
SELECT:CH1	1
SELECT:CH2	0
SELECT:CH3	0
SELECT:CH4	0
SELECT:CONTROL	CH1
SELECT:D0	0
SELECT:D1	0
SELECT:D10	0
SELECT:D11	0
SELECT:D12	0
SELECT:D13	0
SELECT:D14	0
SELECT:D15	0
SELECT:D2	0
SELECT:D3	0
SELECT:D4	0
SELECT:D5	0
SELECT:D6	0
SELECT:D7	0
SELECT:D8	0
SELECT:D9	0
SELECT:DALL	0
SELECT:MATH	0
SELECT:REF1	0
SELECT:REF2	0
SELECT:REF3	0
SELECT:REF4	0
SELECT:RF_AMPLITUDE	0

Table C-1: Default Values (cont.)

Item	Description
SELECT:RF_AVERAGE	0
SELECT:RF_FREQUENCY	0
SELECT:RF_MAXHOLD	0
SELECT:RF_MINHOLD	0
SELECT:RF_NORMAL	0
SELECT:RF_PHASE	0
TRIGGER:A:BUS:B1:AUDIO:CONDITION	SOF
TRIGGER:A:BUS:B1:AUDIO:DATA:HIVALUE	"XXXXXXXXXXXXXXXXXXXXXXXXXX"
TRIGGER:A:BUS:B1:AUDIO:DATA:OFFSET	0
TRIGGER:A:BUS:B1:AUDIO:DATA:QUALIFIER	EQUAL
TRIGGER:A:BUS:B1:AUDIO:DATA:VALUE	"XXXXXXXXXXXXXXXXXXXXXXXXXX"
TRIGGER:A:BUS:B1:AUDIO:DATA:WORD	EITHER
TRIGGER:A:BUS:B1:CAN:CONDITION	SOF
TRIGGER:A:BUS:B1:CAN:DATA:DIRECTION	NOCARE
TRIGGER:A:BUS:B1:CAN:DATA:QUALIFIER	EQUAL
TRIGGER:A:BUS:B1:CAN:DATA:SIZE	1
TRIGGER:A:BUS:B1:CAN:DATA:START	0.0E+0
TRIGGER:A:BUS:B1:CAN:DATA:VALUE	"XXXXXXX"
TRIGGER:A:BUS:B1:CAN:FRAMETYPE	DATA
TRIGGER:A:BUS:B1:CAN:IDENTIFIER:MODE	STANDARD
TRIGGER:A:BUS:B1:CAN:IDENTIFIER:VALUE	"XXXXXXXXXX"
TRIGGER:A:BUS:B1:ETHERNET:CONDITION	SFD
TRIGGER:A:BUS:B1:ETHERNET:DATA:HIVALUE	"XXXXXXX"
TRIGGER:A:BUS:B1:ETHERNET:DATA:OFFSET	-1
TRIGGER:A:BUS:B1:ETHERNET:DATA:SIZE	1
TRIGGER:A:BUS:B1:ETHERNET:DATA:VALUE	"XXXXXXX"
TRIGGER:A:BUS:B1:ETHERNET:FRAMETYPE	BASIC
TRIGGER:A:BUS:B1:ETHERNET:IPHEADER:DESTINATIONADDR:VALUE	"XXXXXXXXXXXXXXXXXXXXXXXXXXXXXXXXXX"
TRIGGER:A:BUS:B1:ETHERNET:IPHEADER:PROTOCOL:VALUE	"XXXXXXX"
TRIGGER:A:BUS:B1:ETHERNET:IPHEADER:SOURCEADDR:VALUE	"XXXXXXXXXXXXXXXXXXXXXXXXXXXXXXXXXX"
TRIGGER:A:BUS:B1:ETHERNET:MAC:ADDRESS:DESTINATION:VALUE	"XXXXXXXXXXXXXXXXXXXXXXXXXXXXXXXXXXXX XXXXXXXXXX"
TRIGGER:A:BUS:B1:ETHERNET:MAC:ADDRESS:SOURCE:VALUE	"XXXXXXXXXXXXXXXXXXXXXXXXXXXXXXXXXXXX XXXXXXXXXXXX"
TRIGGER:A:BUS:B1:ETHERNET:MAC:LENGTH:HIVALUE	"XXXXXXXXXXXXXXXXXX"
TRIGGER:A:BUS:B1:ETHERNET:MAC:LENGTH:VALUE	"XXXXXXXXXXXXXXXXXX"
TRIGGER:A:BUS:B1:ETHERNET:QTAG:VALUE	"XXXXXXXXXXXXXXXXXXXXXXXXXXXXXX"

Table C-1: Default Values (cont.)

Item	Description
TRIGGER:A:BUS:B1:ETHERNET:QUALIFIER	EQUAL
TRIGGER:A:BUS:B1:ETHERNET:TCPHEADER:ACKNUM:VALUE	"XXXXXXXXXXXXXXXXXXXXXXXXXXXXXXXXXXXX"
TRIGGER:A:BUS:B1:ETHERNET:TCPHEADER:DESTINATIONPORT:VALUE	"XXXXXXXXXXXX"
TRIGGER:A:BUS:B1:ETHERNET:TCPHEADER:SEQNUM:VALUE	"XXXXXXXXXXXXXXXXXXXXXXXXXXXXXXXXXXXX"
TRIGGER:A:BUS:B1:ETHERNET:TCPHEADER:SOURCEPORT:VALUE	"XXXXXXXXXXXX"
TRIGGER:A:BUS:B1:FLEXRAY:CONDITION	SOF
TRIGGER:A:BUS:B1:FLEXRAY:CYCLECOUNT:HIVALUE	"XXXXXX"
TRIGGER:A:BUS:B1:FLEXRAY:CYCLECOUNT:QUALIFIER	EQUAL
TRIGGER:A:BUS:B1:FLEXRAY:CYCLECOUNT:VALUE	"XXXXXX"
TRIGGER:A:BUS:B1:FLEXRAY:DATA:HIVALUE	"XXXXXX"
TRIGGER:A:BUS:B1:FLEXRAY:DATA:OFFSET	-1
TRIGGER:A:BUS:B1:FLEXRAY:DATA:QUALIFIER	EQUAL
TRIGGER:A:BUS:B1:FLEXRAY:DATA:SIZE	1
TRIGGER:A:BUS:B1:FLEXRAY:DATA:VALUE	"XXXXXX"
TRIGGER:A:BUS:B1:FLEXRAY:EOFTYPE	STATIC
TRIGGER:A:BUS:B1:FLEXRAY:ERRTYPE	CRCHEADER
TRIGGER:A:BUS:B1:FLEXRAY:FRAMEID:HIVALUE	"XXXXXXXXXX"
TRIGGER:A:BUS:B1:FLEXRAY:FRAMEID:QUALIFIER	EQUAL
TRIGGER:A:BUS:B1:FLEXRAY:FRAMEID:VALUE	"XXXXXXXXXX"
TRIGGER:A:BUS:B1:FLEXRAY:FRAMETYPE	NORMAL
TRIGGER:A:BUS:B1:FLEXRAY:HEADER:CRC	"XXXXXXXXXX"
TRIGGER:A:BUS:B1:FLEXRAY:HEADER:CYCLECOUNT	"XXXXXX"
TRIGGER:A:BUS:B1:FLEXRAY:HEADER:FRAMEID	"XXXXXXXXXX"
TRIGGER:A:BUS:B1:FLEXRAY:HEADER:INDBITS	"XXXXX"
TRIGGER:A:BUS:B1:FLEXRAY:HEADER:PAYLENGTH	"XXXXXX"
TRIGGER:A:BUS:B1:I2C:ADDRESS:MODE	ADDR7
TRIGGER:A:BUS:B1:I2C:ADDRESS:TYPE	USER
TRIGGER:A:BUS:B1:I2C:ADDRESS:VALUE	"XXXXXX"
TRIGGER:A:BUS:B1:I2C:CONDITION	START
TRIGGER:A:BUS:B1:I2C:DATA:DIRECTION	NOCARE
TRIGGER:A:BUS:B1:I2C:DATA:SIZE	1
TRIGGER:A:BUS:B1:I2C:DATA:START	0.0E+0
TRIGGER:A:BUS:B1:I2C:DATA:VALUE	"XXXXXX"
TRIGGER:A:BUS:B1:LIN:CONDITION	SYNCFIELD
TRIGGER:A:BUS:B1:LIN:DATA:HIVALUE	"XXXXXX"
TRIGGER:A:BUS:B1:LIN:DATA:QUALIFIER	EQUAL
TRIGGER:A:BUS:B1:LIN:DATA:SIZE	1

Table C-1: Default Values (cont.)

Item	Description
TRIGGER:A:BUS:B1:LIN:DATA:VALUE	"XXXXXXXX"
TRIGGER:A:BUS:B1:LIN:ERRTYPE	SYNC
TRIGGER:A:BUS:B1:LIN:IDENTIFIER:VALUE	"XXXXXX"
TRIGGER:A:BUS:B1:MIL1553B:COMMAND:ADDRESS:HIVALUE	"XXXXX"
TRIGGER:A:BUS:B1:MIL1553B:COMMAND:ADDRESS:QUALIFIER	EQUAL
TRIGGER:A:BUS:B1:MIL1553B:COMMAND:ADDRESS:VALUE	"XXXXX"
TRIGGER:A:BUS:B1:MIL1553B:COMMAND:COUNT	"XXXXX"
TRIGGER:A:BUS:B1:MIL1553B:COMMAND:PARITY	X
TRIGGER:A:BUS:B1:MIL1553B:COMMAND:SUBADDRESS	"XXXXX"
TRIGGER:A:BUS:B1:MIL1553B:COMMAND:TRBIT	X
TRIGGER:A:BUS:B1:MIL1553B:CONDITION	SYNC
TRIGGER:A:BUS:B1:MIL1553B:DATA:PARITY	X
TRIGGER:A:BUS:B1:MIL1553B:DATA:VALUE	"XXXXXXXXXXXXXXXXXXXX"
TRIGGER:A:BUS:B1:MIL1553B:ERRTYPE	PARITY
TRIGGER:A:BUS:B1:MIL1553B:STATus:ADDRESS:HIVALUE	"XXXXX"
TRIGGER:A:BUS:B1:MIL1553B:STATus:ADDRESS:QUALIFIER	EQUAL
TRIGGER:A:BUS:B1:MIL1553B:STATus:ADDRESS:VALUE	"XXXXX"
TRIGGER:A:BUS:B1:MIL1553B:STATus:BIT:BCR	X
TRIGGER:A:BUS:B1:MIL1553B:STATus:BIT:BUSY	X
TRIGGER:A:BUS:B1:MIL1553B:STATus:BIT:DBCA	X
TRIGGER:A:BUS:B1:MIL1553B:STATus:BIT:INSTR	X
TRIGGER:A:BUS:B1:MIL1553B:STATus:BIT:ME	X
TRIGGER:A:BUS:B1:MIL1553B:STATus:BIT:SRQ	X
TRIGGER:A:BUS:B1:MIL1553B:STATus:BIT:SBSF	X
TRIGGER:A:BUS:B1:MIL1553B:STATus:BIT:TF	X
TRIGGER:A:BUS:B1:MIL1553B:STATus:PARITY	X
TRIGGER:A:BUS:B1:MIL1553B:TIME:LESSLIMIT	4.0000E-6
TRIGGER:A:BUS:B1:MIL1553B:TIME:MORELIMIT	12.0000E-6
TRIGGER:A:BUS:B1:MIL1553B:TIME:QUALIFIER	MORETHAN
TRIGGER:A:BUS:B1:PARALLEL:VALUE	"XXXXXXXXXXXXXXXXXXXX"
TRIGGER:A:BUS:B1:RS232C:CONDITION	TXSTART
TRIGGER:A:BUS:B1:RS232C:RX:DATA:SIZE	1
TRIGGER:A:BUS:B1:RS232C:RX:DATA:VALUE	"XXXXXXXX"
TRIGGER:A:BUS:B1:RS232C:TX:DATA:SIZE	1
TRIGGER:A:BUS:B1:RS232C:TX:DATA:VALUE	"XXXXXXXX"
TRIGGER:A:BUS:B1:SPI:CONDITION	SS
TRIGGER:A:BUS:B1:SPI:DATA:IN:VALUE	"XXXXXXXX"

Table C-1: Default Values (cont.)

Item	Description
TRIGGER:A:BUS:B1:SPI:DATA:OUT:VALUE	"XXXXXXXX"
TRIGGER:A:BUS:B1:SPI:DATA:SIZE	1
TRIGGER:A:BUS:B1:SPI:DATA:START	0.0E+0
TRIGGER:A:BUS:B1:USB:ADDRESS:HIVALUE	"XXXXXXXX"
TRIGGER:A:BUS:B1:USB:ADDRESS:VALUE	"XXXXXXXX"
TRIGGER:A:BUS:B1:USB:CONDITION	SYNC
TRIGGER:A:BUS:B1:USB:DATA:HIVALUE	"XXXXXXXX"
TRIGGER:A:BUS:B1:USB:DATA:OFFSET	-1
TRIGGER:A:BUS:B1:USB:DATA:SIZE	1
TRIGGER:A:BUS:B1:USB:DATA:TYPE	ANY
TRIGGER:A:BUS:B1:USB:DATA:VALUE	"XXXXXXXX"
TRIGGER:A:BUS:B1:USB:ENDPOINT:VALUE	"XXXX"
TRIGGER:A:BUS:B1:USB:ERRRTYPE	PID
TRIGGER:A:BUS:B1:USB:HANDSHAKETYPE	ANY
TRIGGER:A:BUS:B1:USB:QUALIFIER	EQUAL
TRIGGER:A:BUS:B1:USB:SOFFRAMENUMBER	"XXXXXXXXXXXXX"
TRIGGER:A:BUS:B1:USB:SPECIALTYPE	ANY
TRIGGER:A:BUS:B1:USB:SPLIT:ET:VALUE	NOCARE
TRIGGER:A:BUS:B1:USB:SPLIT:HUB:VALUE	"XXXXXXXX"
TRIGGER:A:BUS:B1:USB:SPLIT:PORT:VALUE	"XXXXXXXX"
TRIGGER:A:BUS:B1:USB:SPLIT:SC:VALUE	NOCARE
TRIGGER:A:BUS:B1:USB:SPLIT:SE:VALUE	NOCARE
TRIGGER:A:BUS:B1:USB:TOKENTYPE	ANY
TRIGGER:A:BUS:B2:AUDIO:CONDITION	SOF
TRIGGER:A:BUS:B2:AUDIO:DATA:HIVALUE	"XXXXXXXXXXXXXXXXXXXX XXXXXXXX"
TRIGGER:A:BUS:B2:AUDIO:DATA:OFFSET	0
TRIGGER:A:BUS:B2:AUDIO:DATA:QUALIFIER	EQUAL
TRIGGER:A:BUS:B2:AUDIO:DATA:VALUE	"XXXXXXXXXXXXXXXXXXXX XXXXXXXX"
TRIGGER:A:BUS:B2:AUDIO:DATA:WORD	EITHER
TRIGGER:A:BUS:B2:CAN:CONDITION	SOF
TRIGGER:A:BUS:B2:CAN:DATA:DIRECTION	NOCARE
TRIGGER:A:BUS:B2:CAN:DATA:QUALIFIER	EQUAL
TRIGGER:A:BUS:B2:CAN:DATA:SIZE	1
TRIGGER:A:BUS:B2:CAN:DATA:START	0.0E+0
TRIGGER:A:BUS:B2:CAN:DATA:VALUE	"XXXXXXXX"
TRIGGER:A:BUS:B2:CAN:FRAMETYPE	DATA
TRIGGER:A:BUS:B2:CAN:IDENTIFIER:MODE	STANDARD

Table C-1: Default Values (cont.)

Item	Description
TRIGGER:A:BUS:B2:CAN:IDENTIFIER:VALUE	"XXXXXXXXXX"
TRIGGER:A:BUS:B2:ETHERNET:CONDITION	SFD
TRIGGER:A:BUS:B2:ETHERNET:DATA:HIVALUE	"XXXXXXXX"
TRIGGER:A:BUS:B2:ETHERNET:DATA:OFFSET	-1
TRIGGER:A:BUS:B2:ETHERNET:DATA:SIZE	1
TRIGGER:A:BUS:B2:ETHERNET:DATA:VALUE	"XXXXXXXX"
TRIGGER:A:BUS:B2:ETHERNET:FRAMETYPE	BASIC
TRIGGER:A:BUS:B2:ETHERNET:IPHEADER:DESTINATIONADDR:VALUE	"XX"
TRIGGER:A:BUS:B2:ETHERNET:IPHEADER:PROTOCOL:VALUE	"XXXXXXXX"
TRIGGER:A:BUS:B2:ETHERNET:IPHEADER:SOURCEADDR:VALUE	"XX"
TRIGGER:A:BUS:B2:ETHERNET:MAC:ADDRESS:DESTINATION:VALUE	"XXXXXXXXXXXXXXXXXXXXXXXXXXXXXXXXXXXX XXXXXXXXXXXXXXXXXXXXXXXXXXXX"
TRIGGER:A:BUS:B2:ETHERNET:MAC:ADDRESS:SOURCE:VALUE	"XXXXXXXXXXXXXXXXXXXXXXXXXXXXXXXXXXXX XXXXXXXXXXXXXXXXXXXXXXXXXXXX"
TRIGGER:A:BUS:B2:ETHERNET:MAC:LENGTH:HIVALUE	"XXXXXXXXXXXXXXXXXX"
TRIGGER:A:BUS:B2:ETHERNET:MAC:LENGTH:VALUE	"XXXXXXXXXXXXXXXXXX"
TRIGGER:A:BUS:B2:ETHERNET:QTAG:VALUE	"XXXXXXXXXXXX XXXXXXXXXXXXXXXXXXXX"
TRIGGER:A:BUS:B2:ETHERNET:QUALIFIER	EQUAL
TRIGGER:A:BUS:B2:ETHERNET:TCPHEADER:ACKNUM:VALUE	"XXXXXXXXXXXXXXXXXXXXXXXXXXXXXXXXXX"
TRIGGER:A:BUS:B2:ETHERNET:TCPHEADER:DESTINATIONPORT:VALUE	"XXXXXXXXXXXXXXXXXX"
TRIGGER:A:BUS:B2:ETHERNET:TCPHEADER:SEQNUM:VALUE	"XXXXXXXXXXXXXXXXXXXXXXXXXXXXXXXXXX"
TRIGGER:A:BUS:B2:ETHERNET:TCPHEADER:SOURCEPORT:VALUE	"XXXXXXXXXXXXXXXXXX"
TRIGGER:A:BUS:B2:FLEXRAY:CONDITION	SOF
TRIGGER:A:BUS:B2:FLEXRAY:CYCLECOUNT:HIVALUE	"XXXXXX"
TRIGGER:A:BUS:B2:FLEXRAY:CYCLECOUNT:QUALIFIER	EQUAL
TRIGGER:A:BUS:B2:FLEXRAY:CYCLECOUNT:VALUE	"XXXXXX"
TRIGGER:A:BUS:B2:FLEXRAY:DATA:HIVALUE	"XXXXXXXX"
TRIGGER:A:BUS:B2:FLEXRAY:DATA:OFFSET	-1
TRIGGER:A:BUS:B2:FLEXRAY:DATA:QUALIFIER	EQUAL
TRIGGER:A:BUS:B2:FLEXRAY:DATA:SIZE	1
TRIGGER:A:BUS:B2:FLEXRAY:DATA:VALUE	"XXXXXXXX"
TRIGGER:A:BUS:B2:FLEXRAY:EOFTYPE	STATIC
TRIGGER:A:BUS:B2:FLEXRAY:ERRTYPE	CRCHEADER
TRIGGER:A:BUS:B2:FLEXRAY:FRAMEID:HIVALUE	"XXXXXXXXXXXX"
TRIGGER:A:BUS:B2:FLEXRAY:FRAMEID:QUALIFIER	EQUAL
TRIGGER:A:BUS:B2:FLEXRAY:FRAMEID:VALUE	"XXXXXXXXXXXX"
TRIGGER:A:BUS:B2:FLEXRAY:FRAMETYPE	NORMAL

Table C-1: Default Values (cont.)

Item	Description
TRIGGER:A:BUS:B2:FLEXRAY:HEADER:CRC	"XXXXXXXXXXXX"
TRIGGER:A:BUS:B2:FLEXRAY:HEADER:CYCLECOUNT	"XXXXXX"
TRIGGER:A:BUS:B2:FLEXRAY:HEADER:FRAMEID	"XXXXXXXXXXXX"
TRIGGER:A:BUS:B2:FLEXRAY:HEADER:INDBITS	"XXXXXX"
TRIGGER:A:BUS:B2:FLEXRAY:HEADER:PAYLENGTH	"XXXXXX"
TRIGGER:A:BUS:B2:I2C:ADDRESS:MODE	ADDR7
TRIGGER:A:BUS:B2:I2C:ADDRESS:TYPE	USER
TRIGGER:A:BUS:B2:I2C:ADDRESS:VALUE	"XXXXXXXX"
TRIGGER:A:BUS:B2:I2C:CONDITION	START
TRIGGER:A:BUS:B2:I2C:DATA:DIRECTION	NOCARE
TRIGGER:A:BUS:B2:I2C:DATA:SIZE	1
TRIGGER:A:BUS:B2:I2C:DATA:START	0.0E+0
TRIGGER:A:BUS:B2:I2C:DATA:VALUE	"XXXXXXXX"
TRIGGER:A:BUS:B2:LIN:CONDITION	SYNCFIELD
TRIGGER:A:BUS:B2:LIN:DATA:HIVALUE	"XXXXXXXX"
TRIGGER:A:BUS:B2:LIN:DATA:QUALIFIER	EQUAL
TRIGGER:A:BUS:B2:LIN:DATA:SIZE	1
TRIGGER:A:BUS:B2:LIN:DATA:VALUE	"XXXXXXXX"
TRIGGER:A:BUS:B2:LIN:ERRTYPE	SYNC
TRIGGER:A:BUS:B2:LIN:IDENTIFIER:VALUE	"XXXXXX"
TRIGGER:A:BUS:B2:MIL1553B:COMMAND:ADDRESS:HIVALUE	"XXXXXX"
TRIGGER:A:BUS:B2:MIL1553B:COMMAND:ADDRESS:QUALIFIER	EQUAL
TRIGGER:A:BUS:B2:MIL1553B:COMMAND:ADDRESS:VALUE	"XXXXXX"
TRIGGER:A:BUS:B2:MIL1553B:COMMAND:COUNT	"XXXXXX"
TRIGGER:A:BUS:B2:MIL1553B:COMMAND:PARITY	X
TRIGGER:A:BUS:B2:MIL1553B:COMMAND:SUBADDRESS	"XXXXXX"
TRIGGER:A:BUS:B2:MIL1553B:COMMAND:TRBIT	X
TRIGGER:A:BUS:B2:MIL1553B:CONDITION	SYNC
TRIGGER:A:BUS:B2:MIL1553B:DATA:PARITY	X
TRIGGER:A:BUS:B2:MIL1553B:DATA:VALUE	"XXXXXXXXXXXXXXXXXXXX"
TRIGGER:A:BUS:B2:MIL1553B:ERRTYPE	PARITY
TRIGGER:A:BUS:B2:MIL1553B:STATus:ADDRESS:HIVALUE	"XXXXXX"
TRIGGER:A:BUS:B2:MIL1553B:STATus:ADDRESS:QUALIFIER	EQUAL
TRIGGER:A:BUS:B2:MIL1553B:STATus:ADDRESS:VALUE	"XXXXXX"
TRIGGER:A:BUS:B2:MIL1553B:STATus:BIT:BCR	X
TRIGGER:A:BUS:B2:MIL1553B:STATus:BIT:BUSY	X
TRIGGER:A:BUS:B2:MIL1553B:STATus:BIT:DBCA	X

Table C-1: Default Values (cont.)

Item	Description
TRIGGER:A:BUS:B2:MIL1553B:STATus:BIT:INSTR	X
TRIGGER:A:BUS:B2:MIL1553B:STATus:BIT:ME	X
TRIGGER:A:BUS:B2:MIL1553B:STATus:BIT:SRQ	X
TRIGGER:A:BUS:B2:MIL1553B:STATus:BIT:SUBSF	X
TRIGGER:A:BUS:B2:MIL1553B:STATus:BIT:TF	X
TRIGGER:A:BUS:B2:MIL1553B:STATus:PARITY	X
TRIGGER:A:BUS:B2:MIL1553B:TIME:LESSLIMIT	4.0000E-6
TRIGGER:A:BUS:B2:MIL1553B:TIME:MORELIMIT	12.0000E-6
TRIGGER:A:BUS:B2:MIL1553B:TIME:QUALIFIER	MORETHAN
TRIGGER:A:BUS:B2:PARALLEL:VALUE	"XXXXXXXXXXXXXXXXXX"
TRIGGER:A:BUS:B2:RS232C:CONDITION	TXSTART
TRIGGER:A:BUS:B2:RS232C:RX:DATA:SIZE	1
TRIGGER:A:BUS:B2:RS232C:RX:DATA:VALUE	"XXXXXXXX"
TRIGGER:A:BUS:B2:RS232C:TX:DATA:SIZE	1
TRIGGER:A:BUS:B2:RS232C:TX:DATA:VALUE	"XXXXXXXX"
TRIGGER:A:BUS:B2:SPI:CONDITION	SS
TRIGGER:A:BUS:B2:SPI:DATA:IN:VALUE	"XXXXXXXX"
TRIGGER:A:BUS:B2:SPI:DATA:OUT:VALUE	"XXXXXXXX"
TRIGGER:A:BUS:B2:SPI:DATA:SIZE	1
TRIGGER:A:BUS:B2:SPI:DATA:START	0.0E+0
TRIGGER:A:BUS:B2:USB:ADDRESS:HIVALUE	"XXXXXXXX"
TRIGGER:A:BUS:B2:USB:ADDRESS:VALUE	"XXXXXXXX"
TRIGGER:A:BUS:B2:USB:CONDITION	SYNC
TRIGGER:A:BUS:B2:USB:DATA:HIVALUE	"XXXXXXXX"
TRIGGER:A:BUS:B2:USB:DATA:OFFSET	-1
TRIGGER:A:BUS:B2:USB:DATA:SIZE	1
TRIGGER:A:BUS:B2:USB:DATA:TYPE	ANY
TRIGGER:A:BUS:B2:USB:DATA:VALUE	"XXXXXXXX"
TRIGGER:A:BUS:B2:USB:ENDPOINT:VALUE	"XXXX"
TRIGGER:A:BUS:B2:USB:ERRRTYPE	PID
TRIGGER:A:BUS:B2:USB:HANDSHAKETYPE	ANY
TRIGGER:A:BUS:B2:USB:QUALIFIER	EQUAL
TRIGGER:A:BUS:B2:USB:SOFFRAMENUMBER	"XXXXXXXXXXXX"
TRIGGER:A:BUS:B2:USB:SPECIALTYPE	ANY
TRIGGER:A:BUS:B2:USB:SPLIT:ET:VALUE	NOCARE
TRIGGER:A:BUS:B2:USB:SPLIT:HUB:VALUE	"XXXXXXXX"
TRIGGER:A:BUS:B2:USB:SPLIT:PORT:VALUE	"XXXXXXXX"

Table C-1: Default Values (cont.)

Item	Description
TRIGGER:A:BUS:B2:USB:SPLIT:SC:VALUE	NOCARE
TRIGGER:A:BUS:B2:USB:SPLIT:SE:VALUE	NOCARE
TRIGGER:A:BUS:B2:USB:TOKENTYPE	ANY
TRIGGER:A:BUS:B3:AUDIO:CONDITION	SOF
TRIGGER:A:BUS:B3:AUDIO:DATA:HIVALUE	"XXXXXXXXXXXXXXXXXXXX XXXXXX"
TRIGGER:A:BUS:B3:AUDIO:DATA:OFFSET	0
TRIGGER:A:BUS:B3:AUDIO:DATA:QUALIFIER	EQUAL
TRIGGER:A:BUS:B3:AUDIO:DATA:VALUE	"XXXXXXXXXXXXXXXXXXXX XXXXXX"
TRIGGER:A:BUS:B3:AUDIO:DATA:WORD	EITHER
TRIGGER:A:BUS:B3:CAN:CONDITION	SOF
TRIGGER:A:BUS:B3:CAN:DATA:DIRECTION	NOCARE
TRIGGER:A:BUS:B3:CAN:DATA:QUALIFIER	EQUAL
TRIGGER:A:BUS:B3:CAN:DATA:SIZE	1
TRIGGER:A:BUS:B3:CAN:DATA:START	0.0E+0
TRIGGER:A:BUS:B3:CAN:DATA:VALUE	"XXXXXXXX"
TRIGGER:A:BUS:B3:CAN:FRAMETYPE	DATA
TRIGGER:A:BUS:B3:CAN:IDENTIFIER:MODE	STANDARD
TRIGGER:A:BUS:B3:CAN:IDENTIFIER:VALUE	"XXXXXXXXXX"
TRIGGER:A:BUS:B3:ETHERNET:CONDITION	SFD
TRIGGER:A:BUS:B3:ETHERNET:DATA:HIVALUE	"XXXXXXXX"
TRIGGER:A:BUS:B3:ETHERNET:DATA:OFFSET	-1
TRIGGER:A:BUS:B3:ETHERNET:DATA:SIZE	1
TRIGGER:A:BUS:B3:ETHERNET:DATA:VALUE	"XXXXXXXX"
TRIGGER:A:BUS:B3:ETHERNET:FRAMETYPE	BASIC
TRIGGER:A:BUS:B3:ETHERNET:IPHEADER:DESTINATIONADDR:VALUE	"XXXXXXXXXXXXXXXXXXXX XXXXXXXXXXXXXXXXXXXX"
TRIGGER:A:BUS:B3:ETHERNET:IPHEADER:PROTOCOL:VALUE	"XXXXXXXX"
TRIGGER:A:BUS:B3:ETHERNET:IPHEADER:SOURCEADDR:VALUE	"XXXXXXXXXXXXXXXXXXXX XXXXXXXXXXXXXXXXXXXX"
TRIGGER:A:BUS:B3:ETHERNET:MAC:ADDRESS:DESTINATION:VALUE	"XX XXXXXXXXXXXX"
TRIGGER:A:BUS:B3:ETHERNET:MAC:ADDRESS:SOURCE:VALUE	"XXXXXXXXXXXXXXXXXXXXXXXXXXXXXXXXXXXX XXXXXXXXXXXXXXXXXXXXXXXXXXXX"
TRIGGER:A:BUS:B3:ETHERNET:MAC:LENGTH:HIVALUE	"XXXXXXXXXXXXXXXXXX"
TRIGGER:A:BUS:B3:ETHERNET:MAC:LENGTH:VALUE	"XXXXXXXXXXXXXXXXXX"
TRIGGER:A:BUS:B3:ETHERNET:QTAG:VALUE	"XXXXXXXXXXXXXXXX XXXXXXXXXXXXXXXXXXXX"
TRIGGER:A:BUS:B3:ETHERNET:QUALIFIER	EQUAL
TRIGGER:A:BUS:B3:ETHERNET:TCPHEADER:ACKNUM:VALUE	"XXXXXXXXXXXXXXXXXXXX XXXXXXXXXXXXXXXXXXXX"
TRIGGER:A:BUS:B3:ETHERNET:TCPHEADER:DESTINATIONPORT:VALUE	"XXXXXXXXXXXXXXXXXX"

Table C-1: Default Values (cont.)

Item	Description
TRIGGER:A:BUS:B3:ETHERNET:TCPHEADER:SEQNUM:VALUE	"XXXXXXXXXXXXXXXXXXXXXXXXXXXXXXXXXXXX"
TRIGGER:A:BUS:B3:ETHERNET:TCPHEADER:SOURCEPORT:VALUE	"XXXXXXXXXXXXXXXXXXXX"
TRIGGER:A:BUS:B3:FLEXRAY:CONDITION	SOF
TRIGGER:A:BUS:B3:FLEXRAY:CYCLECOUNT:HIVALUE	"XXXXXX"
TRIGGER:A:BUS:B3:FLEXRAY:CYCLECOUNT:QUALIFIER	EQUAL
TRIGGER:A:BUS:B3:FLEXRAY:CYCLECOUNT:VALUE	"XXXXXX"
TRIGGER:A:BUS:B3:FLEXRAY:DATA:HIVALUE	"XXXXXX"
TRIGGER:A:BUS:B3:FLEXRAY:DATA:OFFSET	-1
TRIGGER:A:BUS:B3:FLEXRAY:DATA:QUALIFIER	EQUAL
TRIGGER:A:BUS:B3:FLEXRAY:DATA:SIZE	1
TRIGGER:A:BUS:B3:FLEXRAY:DATA:VALUE	"XXXXXXXX"
TRIGGER:A:BUS:B3:FLEXRAY:EOFTYPE	STATIC
TRIGGER:A:BUS:B3:FLEXRAY:ERRTYPE	CRCHEADER
TRIGGER:A:BUS:B3:FLEXRAY:FRAMEID:HIVALUE	"XXXXXXXXXXXX"
TRIGGER:A:BUS:B3:FLEXRAY:FRAMEID:QUALIFIER	EQUAL
TRIGGER:A:BUS:B3:FLEXRAY:FRAMEID:VALUE	"XXXXXXXXXXXX"
TRIGGER:A:BUS:B3:FLEXRAY:FRAMETYPE	NORMAL
TRIGGER:A:BUS:B3:FLEXRAY:HEADER:CRC	"XXXXXXXXXXXX"
TRIGGER:A:BUS:B3:FLEXRAY:HEADER:CYCLECOUNT	"XXXXXX"
TRIGGER:A:BUS:B3:FLEXRAY:HEADER:FRAMEID	"XXXXXXXXXXXX"
TRIGGER:A:BUS:B3:FLEXRAY:HEADER:INDBITS	"XXXXXX"
TRIGGER:A:BUS:B3:FLEXRAY:HEADER:PAYLENGTH	"XXXXXX"
TRIGGER:A:BUS:B3:I2C:ADDRESS:MODE	ADDR7
TRIGGER:A:BUS:B3:I2C:ADDRESS:TYPE	USER
TRIGGER:A:BUS:B3:I2C:ADDRESS:VALUE	"XXXXXX"
TRIGGER:A:BUS:B3:I2C:CONDITION	START
TRIGGER:A:BUS:B3:I2C:DATA:DIRECTION	NO CARE
TRIGGER:A:BUS:B3:I2C:DATA:SIZE	1
TRIGGER:A:BUS:B3:I2C:DATA:START	0.0E+0
TRIGGER:A:BUS:B3:I2C:DATA:VALUE	"XXXXXXXX"
TRIGGER:A:BUS:B3:LIN:CONDITION	SYNCFIELD
TRIGGER:A:BUS:B3:LIN:DATA:HIVALUE	"XXXXXXXX"
TRIGGER:A:BUS:B3:LIN:DATA:QUALIFIER	EQUAL
TRIGGER:A:BUS:B3:LIN:DATA:SIZE	1
TRIGGER:A:BUS:B3:LIN:DATA:VALUE	"XXXXXXXX"
TRIGGER:A:BUS:B3:LIN:ERRTYPE	SYNC
TRIGGER:A:BUS:B3:LIN:IDENTIFIER:VALUE	"XXXXXX"

Table C-1: Default Values (cont.)

Item	Description
TRIGGER:A:BUS:B3:MIL1553B:COMMAND:ADDRESS:HIVALUE	"XXXXX"
TRIGGER:A:BUS:B3:MIL1553B:COMMAND:ADDRESS:QUALIFIER	EQUAL
TRIGGER:A:BUS:B3:MIL1553B:COMMAND:ADDRESS:VALUE	"XXXXX"
TRIGGER:A:BUS:B3:MIL1553B:COMMAND:COUNT	"XXXXX"
TRIGGER:A:BUS:B3:MIL1553B:COMMAND:PARITY	X
TRIGGER:A:BUS:B3:MIL1553B:COMMAND:SUBADDRESS	"XXXXX"
TRIGGER:A:BUS:B3:MIL1553B:COMMAND:TRBIT	X
TRIGGER:A:BUS:B3:MIL1553B:CONDITION	SYNC
TRIGGER:A:BUS:B3:MIL1553B:DATA:PARITY	X
TRIGGER:A:BUS:B3:MIL1553B:DATA:VALUE	"XXXXXXXXXXXXXXXXXX"
TRIGGER:A:BUS:B3:MIL1553B:ERRTYPE	PARITY
TRIGGER:A:BUS:B3:MIL1553B:STATus:ADDRESS:HIVALUE	"XXXXX"
TRIGGER:A:BUS:B3:MIL1553B:STATus:ADDRESS:QUALIFIER	EQUAL
TRIGGER:A:BUS:B3:MIL1553B:STATus:ADDRESS:VALUE	"XXXXX"
TRIGGER:A:BUS:B3:MIL1553B:STATus:BIT:BCR	X
TRIGGER:A:BUS:B3:MIL1553B:STATus:BIT:BUSY	X
TRIGGER:A:BUS:B3:MIL1553B:STATus:BIT:DBCA	X
TRIGGER:A:BUS:B3:MIL1553B:STATus:BIT:INSTR	X
TRIGGER:A:BUS:B3:MIL1553B:STATus:BIT:ME	X
TRIGGER:A:BUS:B3:MIL1553B:STATus:BIT:SRQ	X
TRIGGER:A:BUS:B3:MIL1553B:STATus:BIT:SBSF	X
TRIGGER:A:BUS:B3:MIL1553B:STATus:BIT:TF	X
TRIGGER:A:BUS:B3:MIL1553B:STATus:PARITY	X
TRIGGER:A:BUS:B3:MIL1553B:TIME:LESSLIMIT	4.0000E-6
TRIGGER:A:BUS:B3:MIL1553B:TIME:MORELIMIT	12.0000E-6
TRIGGER:A:BUS:B3:MIL1553B:TIME:QUALIFIER	MORETHAN
TRIGGER:A:BUS:B3:PARALLEL:VALUE	"XXXXXXXXXXXXXXXXXX"
TRIGGER:A:BUS:B3:RS232C:CONDITION	TXSTART
TRIGGER:A:BUS:B3:RS232C:RX:DATA:SIZE	1
TRIGGER:A:BUS:B3:RS232C:RX:DATA:VALUE	"XXXXXXXX"
TRIGGER:A:BUS:B3:RS232C:TX:DATA:SIZE	1
TRIGGER:A:BUS:B3:RS232C:TX:DATA:VALUE	"XXXXXXXX"
TRIGGER:A:BUS:B3:SPI:CONDITION	SS
TRIGGER:A:BUS:B3:SPI:DATA:IN:VALUE	"XXXXXXXX"
TRIGGER:A:BUS:B3:SPI:DATA:OUT:VALUE	"XXXXXXXX"
TRIGGER:A:BUS:B3:SPI:DATA:SIZE	1
TRIGGER:A:BUS:B3:SPI:DATA:START	0.0E+0

Table C-1: Default Values (cont.)

Item	Description
TRIGGER:A:BUS:B3:USB:ADDRESS:HIVALUE	"XXXXXXXX"
TRIGGER:A:BUS:B3:USB:ADDRESS:VALUE	"XXXXXXXX"
TRIGGER:A:BUS:B3:USB:CONDITION	SYNC
TRIGGER:A:BUS:B3:USB:DATA:HIVALUE	"XXXXXXXXXX"
TRIGGER:A:BUS:B3:USB:DATA:OFFSET	-1
TRIGGER:A:BUS:B3:USB:DATA:SIZE	1
TRIGGER:A:BUS:B3:USB:DATA:TYPE	ANY
TRIGGER:A:BUS:B3:USB:DATA:VALUE	"XXXXXXXXXX"
TRIGGER:A:BUS:B3:USB:ENDPOINT:VALUE	"XXXX"
TRIGGER:A:BUS:B3:USB:ERRTYPE	PID
TRIGGER:A:BUS:B3:USB:HANDSHAKETYPE	ANY
TRIGGER:A:BUS:B3:USB:QUALIFIER	EQUAL
TRIGGER:A:BUS:B3:USB:SOFFRAMENUMBER	"XXXXXXXXXXXX"
TRIGGER:A:BUS:B3:USB:SPECIALTYPE	ANY
TRIGGER:A:BUS:B3:USB:SPLIT:ET:VALUE	NOCARE
TRIGGER:A:BUS:B3:USB:SPLIT:HUB:VALUE	"XXXXXXXX"
TRIGGER:A:BUS:B3:USB:SPLIT:PORT:VALUE	"XXXXXXXX"
TRIGGER:A:BUS:B3:USB:SPLIT:SC:VALUE	NOCARE
TRIGGER:A:BUS:B3:USB:SPLIT:SE:VALUE	NOCARE
TRIGGER:A:BUS:B3:USB:TOKENTYPE	ANY
TRIGGER:A:BUS:B4:AUDIO:CONDITION	SOF
TRIGGER:A:BUS:B4:AUDIO:DATA:HIVALUE	"XXXXXXXXXXXXXXXXXXXX XXXXXXXX"
TRIGGER:A:BUS:B4:AUDIO:DATA:OFFSET	0
TRIGGER:A:BUS:B4:AUDIO:DATA:QUALIFIER	EQUAL
TRIGGER:A:BUS:B4:AUDIO:DATA:VALUE	"XXXXXXXXXXXXXXXXXXXX XXXXXXXX"
TRIGGER:A:BUS:B4:AUDIO:DATA:WORD	EITHER
TRIGGER:A:BUS:B4:CAN:CONDITION	SOF
TRIGGER:A:BUS:B4:CAN:DATA:DIRECTION	NOCARE
TRIGGER:A:BUS:B4:CAN:DATA:QUALIFIER	EQUAL
TRIGGER:A:BUS:B4:CAN:DATA:SIZE	1
TRIGGER:A:BUS:B4:CAN:DATA:START	0.0E+0
TRIGGER:A:BUS:B4:CAN:DATA:VALUE	"XXXXXXXXXX"
TRIGGER:A:BUS:B4:CAN:FRAMETYPE	DATA
TRIGGER:A:BUS:B4:CAN:IDENTIFIER:MODE	STANDARD
TRIGGER:A:BUS:B4:CAN:IDENTIFIER:VALUE	"XXXXXXXXXXXX"
TRIGGER:A:BUS:B4:ETHERNET:CONDITION	SFD
TRIGGER:A:BUS:B4:ETHERNET:DATA:HIVALUE	"XXXXXXXXXX"

Table C-1: Default Values (cont.)

Item	Description
TRIGGER:A:BUS:B4:ETHERNET:DATA:OFFSET	-1
TRIGGER:A:BUS:B4:ETHERNET:DATA:SIZE	1
TRIGGER:A:BUS:B4:ETHERNET:DATA:VALUE	"XXXXXXXX"
TRIGGER:A:BUS:B4:ETHERNET:FRAMETYPE	BASIC
TRIGGER:A:BUS:B4:ETHERNET:IPHEADER:DESTINATIONADDR:VALUE	"XXXXXXXXXXXXX XXXXXXXXXXXXXXXXXXXXXXXX"
TRIGGER:A:BUS:B4:ETHERNET:IPHEADER:PROTOCOL:VALUE	"XXXXXXXX"
TRIGGER:A:BUS:B4:ETHERNET:IPHEADER:SOURCEADDR:VALUE	"XXXXXXXXXXXXXXXXXXXXXXXXXXXXXXXXXXXXX"
TRIGGER:A:BUS:B4:ETHERNET:MAC:ADDRESS:DESTINATION:VALUE	"XXXXXXXXXXXXXXXXXXXXXXXXXXXXX XXXXXXXXXXXXXXXXXXXXXXXXXXXXX"
TRIGGER:A:BUS:B4:ETHERNET:MAC:ADDRESS:SOURCE:VALUE	"XXXXXXXXXXXXXXXXXXXXXXXXXXXXXXXXXXXXX XXXXXXXXXXXXXXXXXXXXXXXXXXXXX"
TRIGGER:A:BUS:B4:ETHERNET:MAC:LENGTH:HIVALUE	"XXXXXXXXXXXXX"
TRIGGER:A:BUS:B4:ETHERNET:MAC:LENGTH:VALUE	"XXXXXXXXXXXXX"
TRIGGER:A:BUS:B4:ETHERNET:QTAG:VALUE	"XXXXXXXXXXXXXXXXXXXXXXXXXXXXXXXXXXXXX"
TRIGGER:A:BUS:B4:ETHERNET:QUALIFIER	EQUAL
TRIGGER:A:BUS:B4:ETHERNET:TCPHEADER:ACKNUM:VALUE	"XXXXXXXXXXXXXXXXXXXXXXXXXXXXXXXXXXXXX"
TRIGGER:A:BUS:B4:ETHERNET:TCPHEADER:DESTINATIONPORT:VALUE	"XXXXXXXXXXXXX"
TRIGGER:A:BUS:B4:ETHERNET:TCPHEADER:SEQNUM:VALUE	"XXXXXXXXXXXXXXXXXXXXXXXXXXXXXXXXXXXXX"
TRIGGER:A:BUS:B4:ETHERNET:TCPHEADER:SOURCEPORT:VALUE	"XXXXXXXXXXXXX"
TRIGGER:A:BUS:B4:FLEXRAY:CONDITION	SOF
TRIGGER:A:BUS:B4:FLEXRAY:CYCLECOUNT:HIVALUE	"XXXXXX"
TRIGGER:A:BUS:B4:FLEXRAY:CYCLECOUNT:QUALIFIER	EQUAL
TRIGGER:A:BUS:B4:FLEXRAY:CYCLECOUNT:VALUE	"XXXXXX"
TRIGGER:A:BUS:B4:FLEXRAY:DATA:HIVALUE	"XXXXXXXX"
TRIGGER:A:BUS:B4:FLEXRAY:DATA:OFFSET	-1
TRIGGER:A:BUS:B4:FLEXRAY:DATA:QUALIFIER	EQUAL
TRIGGER:A:BUS:B4:FLEXRAY:DATA:SIZE	1
TRIGGER:A:BUS:B4:FLEXRAY:DATA:VALUE	"XXXXXXXX"
TRIGGER:A:BUS:B4:FLEXRAY:EOFTYPE	STATIC
TRIGGER:A:BUS:B4:FLEXRAY:ERRTYPE	CRCHEADER
TRIGGER:A:BUS:B4:FLEXRAY:FRAMEID:HIVALUE	"XXXXXXXXXXXXX"
TRIGGER:A:BUS:B4:FLEXRAY:FRAMEID:QUALIFIER	EQUAL
TRIGGER:A:BUS:B4:FLEXRAY:FRAMEID:VALUE	"XXXXXXXXXXXXX"
TRIGGER:A:BUS:B4:FLEXRAY:FRAMETYPE	NORMAL
TRIGGER:A:BUS:B4:FLEXRAY:HEADER:CRC	"XXXXXXXXXXXXX"
TRIGGER:A:BUS:B4:FLEXRAY:HEADER:CYCLECOUNT	"XXXXXX"
TRIGGER:A:BUS:B4:FLEXRAY:HEADER:FRAMEID	"XXXXXXXXXXXXX"

Table C-1: Default Values (cont.)

Item	Description
TRIGGER:A:BUS:B4:FLEXRAY:HEADER:INDBITS	"XXXXX"
TRIGGER:A:BUS:B4:FLEXRAY:HEADER:PAYLENGTH	"XXXXXXXX"
TRIGGER:A:BUS:B4:I2C:ADDRESS:MODE	ADDR7
TRIGGER:A:BUS:B4:I2C:ADDRESS:TYPE	USER
TRIGGER:A:BUS:B4:I2C:ADDRESS:VALUE	"XXXXXXXX"
TRIGGER:A:BUS:B4:I2C:CONDITION	START
TRIGGER:A:BUS:B4:I2C:DATA:DIRECTION	NO CARE
TRIGGER:A:BUS:B4:I2C:DATA:SIZE	1
TRIGGER:A:BUS:B4:I2C:DATA:START	0.0E+0
TRIGGER:A:BUS:B4:I2C:DATA:VALUE	"XXXXXXXXX"
TRIGGER:A:BUS:B4:LIN:CONDITION	SYNCFIELD
TRIGGER:A:BUS:B4:LIN:DATA:HIVALUE	"XXXXXXXXX"
TRIGGER:A:BUS:B4:LIN:DATA:QUALIFIER	EQUAL
TRIGGER:A:BUS:B4:LIN:DATA:SIZE	1
TRIGGER:A:BUS:B4:LIN:DATA:VALUE	"XXXXXXXXX"
TRIGGER:A:BUS:B4:LIN:ERRTYPE	SYNC
TRIGGER:A:BUS:B4:LIN:IDENTIFIER:VALUE	"XXXXXX"
TRIGGER:A:BUS:B4:MIL1553B:COMMAND:ADDRESS:HIVALUE	"XXXXX"
TRIGGER:A:BUS:B4:MIL1553B:COMMAND:ADDRESS:QUALIFIER	EQUAL
TRIGGER:A:BUS:B4:MIL1553B:COMMAND:ADDRESS:VALUE	"XXXXX"
TRIGGER:A:BUS:B4:MIL1553B:COMMAND:COUNT	"XXXXX"
TRIGGER:A:BUS:B4:MIL1553B:COMMAND:PARITY	X
TRIGGER:A:BUS:B4:MIL1553B:COMMAND:SUBADDRESS	"XXXXX"
TRIGGER:A:BUS:B4:MIL1553B:COMMAND:TRBIT	X
TRIGGER:A:BUS:B4:MIL1553B:CONDITION	SYNC
TRIGGER:A:BUS:B4:MIL1553B:DATA:PARITY	X
TRIGGER:A:BUS:B4:MIL1553B:DATA:VALUE	"XXXXXXXXXXXXXXXXXXXX"
TRIGGER:A:BUS:B4:MIL1553B:ERRTYPE	PARITY
TRIGGER:A:BUS:B4:MIL1553B:STATus:ADDRESS:HIVALUE	"XXXXX"
TRIGGER:A:BUS:B4:MIL1553B:STATus:ADDRESS:QUALIFIER	EQUAL
TRIGGER:A:BUS:B4:MIL1553B:STATus:ADDRESS:VALUE	"XXXXX"
TRIGGER:A:BUS:B4:MIL1553B:STATus:BIT:BCR	X
TRIGGER:A:BUS:B4:MIL1553B:STATus:BIT:BUSY	X
TRIGGER:A:BUS:B4:MIL1553B:STATus:BIT:DBCA	X
TRIGGER:A:BUS:B4:MIL1553B:STATus:BIT:INSTR	X
TRIGGER:A:BUS:B4:MIL1553B:STATus:BIT:ME	X
TRIGGER:A:BUS:B4:MIL1553B:STATus:BIT:SRQ	X

Table C-1: Default Values (cont.)

Item	Description
TRIGGER:A:BUS:B4:MIL1553B:STATus:BIT:SUBSF	X
TRIGGER:A:BUS:B4:MIL1553B:STATus:BIT:TF	X
TRIGGER:A:BUS:B4:MIL1553B:STATus:PARITY	X
TRIGGER:A:BUS:B4:MIL1553B:TIME:LESSLIMIT	4.0000E-6
TRIGGER:A:BUS:B4:MIL1553B:TIME:MORELIMIT	12.0000E-6
TRIGGER:A:BUS:B4:MIL1553B:TIME:QUALIFIER	MORETHAN
TRIGGER:A:BUS:B4:PARALLEL:VALUE	"XXXXXXXXXXXXXXXXXX"
TRIGGER:A:BUS:B4:RS232C:CONDITION	TXSTART
TRIGGER:A:BUS:B4:RS232C:RX:DATA:SIZE	1
TRIGGER:A:BUS:B4:RS232C:RX:DATA:VALUE	"XXXXXXXX"
TRIGGER:A:BUS:B4:RS232C:TX:DATA:SIZE	1
TRIGGER:A:BUS:B4:RS232C:TX:DATA:VALUE	"XXXXXXXX"
TRIGGER:A:BUS:B4:SPI:CONDITION	SS
TRIGGER:A:BUS:B4:SPI:DATA:IN:VALUE	"XXXXXXXX"
TRIGGER:A:BUS:B4:SPI:DATA:OUT:VALUE	"XXXXXXXX"
TRIGGER:A:BUS:B4:SPI:DATA:SIZE	1
TRIGGER:A:BUS:B4:SPI:DATA:START	0.0E+0
TRIGGER:A:BUS:B4:USB:ADDRESS:HIVALUE	"XXXXXXXX"
TRIGGER:A:BUS:B4:USB:ADDRESS:VALUE	"XXXXXXXX"
TRIGGER:A:BUS:B4:USB:CONDITION	SYNC
TRIGGER:A:BUS:B4:USB:DATA:HIVALUE	"XXXXXXXX"
TRIGGER:A:BUS:B4:USB:DATA:OFFSET	-1
TRIGGER:A:BUS:B4:USB:DATA:SIZE	1
TRIGGER:A:BUS:B4:USB:DATA:TYPE	ANY
TRIGGER:A:BUS:B4:USB:DATA:VALUE	"XXXXXXXX"
TRIGGER:A:BUS:B4:USB:ENDPOINT:VALUE	"XXXX"
TRIGGER:A:BUS:B4:USB:ERRRTYPE	PID
TRIGGER:A:BUS:B4:USB:HANDSHAKETYPE	ANY
TRIGGER:A:BUS:B4:USB:QUALIFIER	EQUAL
TRIGGER:A:BUS:B4:USB:SOFFRAMENUMBER	"XXXXXXXXXXXX"
TRIGGER:A:BUS:B4:USB:SPECIALTYPE	ANY
TRIGGER:A:BUS:B4:USB:SPLIT:ET:VALUE	NOCARE
TRIGGER:A:BUS:B4:USB:SPLIT:HUB:VALUE	"XXXXXXXX"
TRIGGER:A:BUS:B4:USB:SPLIT:PORT:VALUE	"XXXXXXXX"
TRIGGER:A:BUS:B4:USB:SPLIT:SC:VALUE	NOCARE
TRIGGER:A:BUS:B4:USB:SPLIT:SE:VALUE	NOCARE
TRIGGER:A:BUS:B4:USB:TOKENTYPE	ANY

Table C-1: Default Values (cont.)

Item	Description
TRIGGER:A:BUS:SOURCE	B1
TRIGGER:A:EDGE:COUPLING	DC
TRIGGER:A:EDGE:SLOPE	RISE
TRIGGER:A:EDGE:SOURCE	CH1
TRIGGER:A:HOLDOFF:TIME	20.0000E-9
TRIGGER:A:LEVEL	0.0E+0
TRIGGER:A:LEVEL:CH1	0.0E+0
TRIGGER:A:LEVEL:CH2	0.0E+0
TRIGGER:A:LEVEL:CH3	0.0E+0
TRIGGER:A:LEVEL:CH4	0.0E+0
TRIGGER:A:LEVEL:D0	1.4000
TRIGGER:A:LEVEL:D1	1.4000
TRIGGER:A:LEVEL:D10	1.4000
TRIGGER:A:LEVEL:D11	1.4000
TRIGGER:A:LEVEL:D12	1.4000
TRIGGER:A:LEVEL:D13	1.4000
TRIGGER:A:LEVEL:D14	1.4000
TRIGGER:A:LEVEL:D15	1.4000
TRIGGER:A:LEVEL:D2	1.4000
TRIGGER:A:LEVEL:D3	1.4000
TRIGGER:A:LEVEL:D4	1.4000
TRIGGER:A:LEVEL:D5	1.4000
TRIGGER:A:LEVEL:D6	1.4000
TRIGGER:A:LEVEL:D7	1.4000
TRIGGER:A:LEVEL:D8	1.4000
TRIGGER:A:LEVEL:D9	1.4000
TRIGGER:A:LOGIC:CLASS	LOGIC
TRIGGER:A:LOGIC:FUNCTION	AND
TRIGGER:A:LOGIC:INPUT:CH1	X
TRIGGER:A:LOGIC:INPUT:CH2	X
TRIGGER:A:LOGIC:INPUT:CH3	X
TRIGGER:A:LOGIC:INPUT:CH4	X
TRIGGER:A:LOGIC:INPUT:CLOCK:EDGE	RISE
TRIGGER:A:LOGIC:INPUT:CLOCK:SOURCE	NONE
TRIGGER:A:LOGIC:INPUT:D0	X
TRIGGER:A:LOGIC:INPUT:D1	X
TRIGGER:A:LOGIC:INPUT:D10	X

Table C-1: Default Values (cont.)

Item	Description
TRIGGER:A:LOGIC:INPUT:D11	X
TRIGGER:A:LOGIC:INPUT:D12	X
TRIGGER:A:LOGIC:INPUT:D13	X
TRIGGER:A:LOGIC:INPUT:D14	X
TRIGGER:A:LOGIC:INPUT:D15	X
TRIGGER:A:LOGIC:INPUT:D2	X
TRIGGER:A:LOGIC:INPUT:D3	X
TRIGGER:A:LOGIC:INPUT:D4	X
TRIGGER:A:LOGIC:INPUT:D5	X
TRIGGER:A:LOGIC:INPUT:D6	X
TRIGGER:A:LOGIC:INPUT:D7	X
TRIGGER:A:LOGIC:INPUT:D8	X
TRIGGER:A:LOGIC:INPUT:D9	X
TRIGGER:A:LOGIC:INPUT:RF	X
TRIGGER:A:LOGIC:PATTERN:DELTATIME	8.0000E-9
TRIGGER:A:LOGIC:PATTERN:WHEN	TRUE
TRIGGER:A:LOGIC:PATTERN:WHEN:LESSLIMIT	8.0000E-9
TRIGGER:A:LOGIC:PATTERN:WHEN:MORELIMIT	8.0000E-9
TRIGGER:A:LOGIC:THRESHOLD:CH1	0.0E+0
TRIGGER:A:LOGIC:THRESHOLD:CH2	0.0E+0
TRIGGER:A:LOGIC:THRESHOLD:CH3	0.0E+0
TRIGGER:A:LOGIC:THRESHOLD:CH4	0.0E+0
TRIGGER:A:LOGIC:THRESHOLD:D0	1.4000
TRIGGER:A:LOGIC:THRESHOLD:D1	1.4000
TRIGGER:A:LOGIC:THRESHOLD:D10	1.4000
TRIGGER:A:LOGIC:THRESHOLD:D11	1.4000
TRIGGER:A:LOGIC:THRESHOLD:D12	1.4000
TRIGGER:A:LOGIC:THRESHOLD:D13	1.4000
TRIGGER:A:LOGIC:THRESHOLD:D14	1.4000
TRIGGER:A:LOGIC:THRESHOLD:D15	1.4000
TRIGGER:A:LOGIC:THRESHOLD:D2	1.4000
TRIGGER:A:LOGIC:THRESHOLD:D3	1.4000
TRIGGER:A:LOGIC:THRESHOLD:D4	1.4000
TRIGGER:A:LOGIC:THRESHOLD:D5	1.4000
TRIGGER:A:LOGIC:THRESHOLD:D6	1.4000
TRIGGER:A:LOGIC:THRESHOLD:D7	1.4000
TRIGGER:A:LOGIC:THRESHOLD:D8	1.4000

Table C-1: Default Values (cont.)

Item	Description
TRIGGER:A:LOGIC:THRESHOLD:D9	1.4000
TRIGGER:A:LOGIC:THRESHOLD:RF	-30.0000
TRIGGER:A:LOWERTHRESHOLD:CH1	0.0E+0
TRIGGER:A:LOWERTHRESHOLD:CH2	0.0E+0
TRIGGER:A:LOWERTHRESHOLD:CH3	0.0E+0
TRIGGER:A:LOWERTHRESHOLD:CH4	0.0E+0
TRIGGER:A:LOWERTHRESHOLD:D0	1.4000
TRIGGER:A:LOWERTHRESHOLD:D1	1.4000
TRIGGER:A:LOWERTHRESHOLD:D10	1.4000
TRIGGER:A:LOWERTHRESHOLD:D11	1.4000
TRIGGER:A:LOWERTHRESHOLD:D12	1.4000
TRIGGER:A:LOWERTHRESHOLD:D13	1.4000
TRIGGER:A:LOWERTHRESHOLD:D14	1.4000
TRIGGER:A:LOWERTHRESHOLD:D15	1.4000
TRIGGER:A:LOWERTHRESHOLD:D2	1.4000
TRIGGER:A:LOWERTHRESHOLD:D3	1.4000
TRIGGER:A:LOWERTHRESHOLD:D4	1.4000
TRIGGER:A:LOWERTHRESHOLD:D5	1.4000
TRIGGER:A:LOWERTHRESHOLD:D6	1.4000
TRIGGER:A:LOWERTHRESHOLD:D7	1.4000
TRIGGER:A:LOWERTHRESHOLD:D8	1.4000
TRIGGER:A:LOWERTHRESHOLD:D9	1.4000
TRIGGER:A:LOWERTHRESHOLD:RF	-30.0000
TRIGGER:A:MODE	AUTO
TRIGGER:A:PULSE:CLASS	WIDTH
TRIGGER:A:PULSEWIDTH:HIGHLIMIT	8.0000E-9
TRIGGER:A:PULSEWIDTH:LOWLIMIT	8.0000E-9
TRIGGER:A:PULSEWIDTH:POLARITY	POSITIVE
TRIGGER:A:PULSEWIDTH:WHEN	LESSTHAN
TRIGGER:A:PULSEWIDTH:WIDTH	8.0000E-9
TRIGGER:A:RUNT:POLARITY	POSITIVE
TRIGGER:A:RUNT:WHEN	OCCURS
TRIGGER:A:RUNT:WIDTH	8.0000E-9
TRIGGER:A:SETHOLD:CLOCK:EDGE	RISE
TRIGGER:A:SETHOLD:CLOCK:SOURCE	CH1
TRIGGER:A:SETHOLD:CLOCK:THRESHOLD	0.0E+0
TRIGGER:A:SETHOLD:DATA:SOURCE	NONE

Table C-1: Default Values (cont.)

Item	Description
TRIGGER:A:SETHOLD:DATA:THRESHOLD	9.9100E+37
TRIGGER:A:SETHOLD:HOLDTIME	8.0000E-9
TRIGGER:A:SETHOLD:SETTIME	8.0000E-9
TRIGGER:A:SETHOLD:THRESHOLD:CH1	0.0E+0
TRIGGER:A:SETHOLD:THRESHOLD:CH2	0.0E+0
TRIGGER:A:SETHOLD:THRESHOLD:CH3	0.0E+0
TRIGGER:A:SETHOLD:THRESHOLD:CH4	0.0E+0
TRIGGER:A:SETHOLD:THRESHOLD:D0	1.4000
TRIGGER:A:SETHOLD:THRESHOLD:D1	1.4000
TRIGGER:A:SETHOLD:THRESHOLD:D10	1.4000
TRIGGER:A:SETHOLD:THRESHOLD:D11	1.4000
TRIGGER:A:SETHOLD:THRESHOLD:D12	1.4000
TRIGGER:A:SETHOLD:THRESHOLD:D13	1.4000
TRIGGER:A:SETHOLD:THRESHOLD:D14	1.4000
TRIGGER:A:SETHOLD:THRESHOLD:D15	1.4000
TRIGGER:A:SETHOLD:THRESHOLD:D2	1.4000
TRIGGER:A:SETHOLD:THRESHOLD:D3	1.4000
TRIGGER:A:SETHOLD:THRESHOLD:D4	1.4000
TRIGGER:A:SETHOLD:THRESHOLD:D5	1.4000
TRIGGER:A:SETHOLD:THRESHOLD:D6	1.4000
TRIGGER:A:SETHOLD:THRESHOLD:D7	1.4000
TRIGGER:A:SETHOLD:THRESHOLD:D8	1.4000
TRIGGER:A:SETHOLD:THRESHOLD:D9	1.4000
TRIGGER:A:TIMEOUT:POLARITY	STAYSHIGH
TRIGGER:A:TIMEOUT:TIME	8.0000E-9
TRIGGER:A:TRANSITION:DELTATIME	8.0000E-9
TRIGGER:A:TRANSITION:POLARITY	POSITIVE
TRIGGER:A:TRANSITION:WHEN	SLOWER
TRIGGER:A:TYPE	EDGE
TRIGGER:A:UPPERTHRESHOLD:CH1	1.4000
TRIGGER:A:UPPERTHRESHOLD:CH2	800.0000E-3
TRIGGER:A:UPPERTHRESHOLD:CH3	800.0000E-3
TRIGGER:A:UPPERTHRESHOLD:CH4	800.0000E-3
TRIGGER:A:UPPERTHRESHOLD:RF	-10.0000
TRIGGER:A:VIDEO:CUSTOM:FORMAT	PROGRESSIVE
TRIGGER:A:VIDEO:CUSTOM:LINEPERIOD	63.5600E-6
TRIGGER:A:VIDEO:CUSTOM:SYNCINTERVAL	4.7200E-6

Table C-1: Default Values (cont.)

Item	Description
TRIGGER:A:VIDEO:HOLDOFF:FIELD	0.0E+0
TRIGGER:A:VIDEO:LINE	1
TRIGGER:A:VIDEO:POLARITY	POSITIVE
TRIGGER:A:VIDEO:STANDARD	NTSC
TRIGGER:A:VIDEO:SYNC	ALLLINES
TRIGGER:B:BY	TIME
TRIGGER:B:EDGE:COUPLING	DC
TRIGGER:B:EDGE:SLOPE	RISE
TRIGGER:B:EDGE:SOURCE	CH1
TRIGGER:B:EVENTS:COUNT	1
TRIGGER:B:LEVEL	0.0E+0
TRIGGER:B:LEVEL:CH1	0.0E+0
TRIGGER:B:LEVEL:CH2	0.0E+0
TRIGGER:B:LEVEL:CH3	0.0E+0
TRIGGER:B:LEVEL:CH4	0.0E+0
TRIGGER:B:LEVEL:D0	1.4000
TRIGGER:B:LEVEL:D1	1.4000
TRIGGER:B:LEVEL:D10	1.4000
TRIGGER:B:LEVEL:D11	1.4000
TRIGGER:B:LEVEL:D12	1.4000
TRIGGER:B:LEVEL:D13	1.4000
TRIGGER:B:LEVEL:D14	1.4000
TRIGGER:B:LEVEL:D15	1.4000
TRIGGER:B:LEVEL:D2	1.4000
TRIGGER:B:LEVEL:D3	1.4000
TRIGGER:B:LEVEL:D4	1.4000
TRIGGER:B:LEVEL:D5	1.4000
TRIGGER:B:LEVEL:D6	1.4000
TRIGGER:B:LEVEL:D7	1.4000
TRIGGER:B:LEVEL:D8	1.4000
TRIGGER:B:LEVEL:D9	1.4000
TRIGGER:B:LOWERTHRESHOLD:CH1	0.0E+0
TRIGGER:B:LOWERTHRESHOLD:CH2	0.0E+0
TRIGGER:B:LOWERTHRESHOLD:CH3	0.0E+0
TRIGGER:B:LOWERTHRESHOLD:CH4	0.0E+0
TRIGGER:B:LOWERTHRESHOLD:D0	1.4000
TRIGGER:B:LOWERTHRESHOLD:D1	1.4000

Table C-1: Default Values (cont.)

Item	Description
TRIGGER:B:LOWERTHRESHOLD:D10	1.4000
TRIGGER:B:LOWERTHRESHOLD:D11	1.4000
TRIGGER:B:LOWERTHRESHOLD:D12	1.4000
TRIGGER:B:LOWERTHRESHOLD:D13	1.4000
TRIGGER:B:LOWERTHRESHOLD:D14	1.4000
TRIGGER:B:LOWERTHRESHOLD:D15	1.4000
TRIGGER:B:LOWERTHRESHOLD:D2	1.4000
TRIGGER:B:LOWERTHRESHOLD:D3	1.4000
TRIGGER:B:LOWERTHRESHOLD:D4	1.4000
TRIGGER:B:LOWERTHRESHOLD:D5	1.4000
TRIGGER:B:LOWERTHRESHOLD:D6	1.4000
TRIGGER:B:LOWERTHRESHOLD:D7	1.4000
TRIGGER:B:LOWERTHRESHOLD:D8	1.4000
TRIGGER:B:LOWERTHRESHOLD:D9	1.4000
TRIGGER:B:STATE	0
TRIGGER:B:TIME	8.0000E-9
TRIGGER:B:TYPE	EDGE
VERBOSE	1
ZOOM:MODE	0
ZOOM:ZOOM1:POSITION	50.0000
ZOOM:ZOOM1:SCALE	4.0000E-6
ZOOM:ZOOM1:STATE	0
ACQUIRE:MAGNITU	0
ACQUIRE:MODE	SAMPLE
ACQUIRE:NUMAVG	16
ACQUIRE:NUMENV	INFINITE
ACQUIRE:STATE	1
ACQUIRE:STOPAFTER	RUNSTOP
ALIAS:STATE	0
APPLICATION:TYPE	POWER
AUXOUT:SOURCE	ATRIGGER
BUS:B1:AUDIO:BITDELAY	1
BUS:B1:AUDIO:BITORDER	MSB
BUS:B1:AUDIO:CHANNEL:SIZE	24
BUS:B1:AUDIO:CLOCK:POLARITY	RISE
BUS:B1:AUDIO:CLOCK:SOURCE	CH1
BUS:B1:AUDIO:DATA:POLARITY	NORMAL

Table C-1: Default Values (cont.)

Item	Description
BUS:B1:AUDIO:DATA:SIZE	24
BUS:B1:AUDIO:DISPLAY:FORMAT	SIGNEDDECIMAL
BUS:B1:AUDIO:FRAME:SIZE	8
BUS:B1:AUDIO:FRAMESYNC:POLARITY	RISE
BUS:B1:AUDIO:FRAMESYNC:SOURCE	CH2
BUS:B1:AUDIO:TYPE	I2S
BUS:B1:AUDIO:WORDSEL:POLARITY	NORMAL
BUS:B1:AUDIO:WORDSEL:SOURCE	CH2
BUS:B1:CAN:BITRATE	500000
BUS:B1:CAN:PROBE	CANH
BUS:B1:CAN:SAMPLEPOINT	50
BUS:B1:CAN:SOURCE	CH1
BUS:B1:DISPLAY:FORMAT	HEXADECIMAL
BUS:B1:DISPLAY:TYPE	BUS
BUS:B1:ETHERNET:PROBE	DIFFERENTIAL
BUS:B1:ETHERNET:PROTOCOL	IPV4
BUS:B1:ETHERNET:SOURCE:DIFFERENTIAL	CH1
BUS:B1:ETHERNET:SOURCE:DMINUS	CH2
BUS:B1:ETHERNET:SOURCE:DPLUS	CH1
BUS:B1:ETHERNET:TYPE	ENET100BASETX
BUS:B1:FLEXRAY:BITRATE	10000000
BUS:B1:FLEXRAY:CHANNEL	A
BUS:B1:FLEXRAY:SIGNAL	BDIFFBP
BUS:B1:FLEXRAY:SOURCE	CH1
BUS:B1:I2C:ADDRESS:RWINCLUDE	0
BUS:B1:I2C:CLOCK:SOURCE	CH1
BUS:B1:I2C:DATA:SOURCE	CH2
BUS:B1:LABEL	"Parallel"
BUS:B1:LIN:BITRATE	19200
BUS:B1:LIN:IDFORMAT	NOPARITY
BUS:B1:LIN:POLARITY	NORMAL
BUS:B1:LIN:SAMPLEPOINT	50
BUS:B1:LIN:SOURCE	CH1
BUS:B1:LIN:STANDARD	V2X
BUS:B1:MIL1553B:POLARITY	NORMAL
BUS:B1:MIL1553B:RESPONSETIME:MAXIMUM	12.0000E-6
BUS:B1:MIL1553B:RESPONSETIME:MINIMUM	4.0000E-6

Table C-1: Default Values (cont.)

Item	Description
BUS:B1:MIL1553B:SOURCE	CH1
BUS:B1:PARALLEL:BIT0:SOURCE	D0
BUS:B1:PARALLEL:BIT10:SOURCE	D10
BUS:B1:PARALLEL:BIT11:SOURCE	D11
BUS:B1:PARALLEL:BIT12:SOURCE	D12
BUS:B1:PARALLEL:BIT13:SOURCE	D13
BUS:B1:PARALLEL:BIT14:SOURCE	D14
BUS:B1:PARALLEL:BIT15:SOURCE	D15
BUS:B1:PARALLEL:BIT16:SOURCE	CH1
BUS:B1:PARALLEL:BIT17:SOURCE	CH2
BUS:B1:PARALLEL:BIT18:SOURCE	CH3
BUS:B1:PARALLEL:BIT19:SOURCE	CH4
BUS:B1:PARALLEL:BIT1:SOURCE	D1
BUS:B1:PARALLEL:BIT2:SOURCE	D2
BUS:B1:PARALLEL:BIT3:SOURCE	D3
BUS:B1:PARALLEL:BIT4:SOURCE	D4
BUS:B1:PARALLEL:BIT5:SOURCE	D5
BUS:B1:PARALLEL:BIT6:SOURCE	D6
BUS:B1:PARALLEL:BIT7:SOURCE	D7
BUS:B1:PARALLEL:BIT8:SOURCE	D8
BUS:B1:PARALLEL:BIT9:SOURCE	D9
BUS:B1:PARALLEL:CLOCK:EDGE	RISING
BUS:B1:PARALLEL:CLOCK:ISCLOCKED	NO
BUS:B1:PARALLEL:CLOCK:SOURCE	CH1
BUS:B1:PARALLEL:WIDTH	16
BUS:B1:POSITION	0.0E+0
BUS:B1:RS232C:BITRATE	9600
BUS:B1:RS232C:DATABITS	8
BUS:B1:RS232C:DELIMITER	LF
BUS:B1:RS232C:DISPLAYMODE	FRAME
BUS:B1:RS232C:PARITY	NONE
BUS:B1:RS232C:POLARITY	NORMAL
BUS:B1:RS232C:RX:SOURCE	OFF
BUS:B1:RS232C:TX:SOURCE	CH1
BUS:B1:SPI:BITORDER	MSB
BUS:B1:SPI:CLOCK:POLARITY	RISE
BUS:B1:SPI:CLOCK:SOURCE	CH1

Table C-1: Default Values (cont.)

Item	Description
BUS:B1:SPI:DATA:IN:POLARITY	HIGH
BUS:B1:SPI:DATA:IN:SOURCE	OFF
BUS:B1:SPI:DATA:OUT:POLARITY	HIGH
BUS:B1:SPI:DATA:OUT:SOURCE	CH3
BUS:B1:SPI:DATA:SIZE	8
BUS:B1:SPI:FRAMING	SS
BUS:B1:SPI:IDLETIME	5.0000E-6
BUS:B1:SPI:SELECT:POLARITY	LOW
BUS:B1:SPI:SELECT:SOURCE	CH2
BUS:B1:STATE	0
BUS:B1:TYPE	PARALLEL
BUS:B1:USB:BITRATE	FULL
BUS:B1:USB:PROBE	DIFFERENTIAL
BUS:B1:USB:SOURCE:DIFFERENTIAL	CH1
BUS:B1:USB:SOURCE:DMINUS	CH2
BUS:B1:USB:SOURCE:DPLUS	CH1
BUS:B2:AUDIO:BITDELAY	1
BUS:B2:AUDIO:BITORDER	MSB
BUS:B2:AUDIO:CHANNEL:SIZE	24
BUS:B2:AUDIO:CLOCK:POLARITY	RISE
BUS:B2:AUDIO:CLOCK:SOURCE	CH1
BUS:B2:AUDIO:DATA:POLARITY	NORMAL
BUS:B2:AUDIO:DATA:SIZE	24
BUS:B2:AUDIO:DISPLAY:FORMAT	SIGNEDDECIMAL
BUS:B2:AUDIO:FRAME:SIZE	8
BUS:B2:AUDIO:FRAMESYNC:POLARITY	RISE
BUS:B2:AUDIO:FRAMESYNC:SOURCE	CH2
BUS:B2:AUDIO:TYPE	I2S
BUS:B2:AUDIO:WORDSEL:POLARITY	NORMAL
BUS:B2:AUDIO:WORDSEL:SOURCE	CH2
BUS:B2:CAN:BITRATE	500000
BUS:B2:CAN:PROBE	CANH
BUS:B2:CAN:SAMPLEPOINT	50
BUS:B2:CAN:SOURCE	CH1
BUS:B2:DISPLAY:FORMAT	HEXADECIMAL
BUS:B2:DISPLAY:TYPE	BUS
BUS:B2:ETHERNET:PROBE	DIFFERENTIAL

Table C-1: Default Values (cont.)

Item	Description
BUS:B2:ETHERNET:PROTOCOL	IPV4
BUS:B2:ETHERNET:SOURCE:DIFFERENTIAL	CH1
BUS:B2:ETHERNET:SOURCE:DMINUS	CH2
BUS:B2:ETHERNET:SOURCE:DPLUS	CH1
BUS:B2:ETHERNET:TYPE	ENET100BASETX
BUS:B2:FLEXRAY:BITRATE	10000000
BUS:B2:FLEXRAY:CHANNEL	A
BUS:B2:FLEXRAY:SIGNAL	BDIFFBP
BUS:B2:FLEXRAY:SOURCE	CH1
BUS:B2:I2C:ADDRESS:RWINCLUDE	0
BUS:B2:I2C:CLOCK:SOURCE	CH1
BUS:B2:I2C:DATA:SOURCE	CH2
BUS:B2:LABEL	"Parallel"
BUS:B2:LIN:BITRATE	19200
BUS:B2:LIN:IDFORMAT	NOPARITY
BUS:B2:LIN:POLARITY	NORMAL
BUS:B2:LIN:SAMPLEPOINT	50
BUS:B2:LIN:SOURCE	CH1
BUS:B2:LIN:STANDARD	V2X
BUS:B2:MIL1553B:POLARITY	NORMAL
BUS:B2:MIL1553B:RESPONSETIME:MAXIMUM	12.0000E-6
BUS:B2:MIL1553B:RESPONSETIME:MINIMUM	4.0000E-6
BUS:B2:MIL1553B:SOURCE	CH1
BUS:B2:PARALLEL:BIT0:SOURCE	D0
BUS:B2:PARALLEL:BIT10:SOURCE	D10
BUS:B2:PARALLEL:BIT11:SOURCE	D11
BUS:B2:PARALLEL:BIT12:SOURCE	D12
BUS:B2:PARALLEL:BIT13:SOURCE	D13
BUS:B2:PARALLEL:BIT14:SOURCE	D14
BUS:B2:PARALLEL:BIT15:SOURCE	D15
BUS:B2:PARALLEL:BIT16:SOURCE	CH1
BUS:B2:PARALLEL:BIT17:SOURCE	CH2
BUS:B2:PARALLEL:BIT18:SOURCE	CH3
BUS:B2:PARALLEL:BIT19:SOURCE	CH4
BUS:B2:PARALLEL:BIT1:SOURCE	D1
BUS:B2:PARALLEL:BIT2:SOURCE	D2
BUS:B2:PARALLEL:BIT3:SOURCE	D3

Table C-1: Default Values (cont.)

Item	Description
BUS:B2:PARALLEL:BIT4:SOURCE	D4
BUS:B2:PARALLEL:BIT5:SOURCE	D5
BUS:B2:PARALLEL:BIT6:SOURCE	D6
BUS:B2:PARALLEL:BIT7:SOURCE	D7
BUS:B2:PARALLEL:BIT8:SOURCE	D8
BUS:B2:PARALLEL:BIT9:SOURCE	D9
BUS:B2:PARALLEL:CLOCK:EDGE	RISING
BUS:B2:PARALLEL:CLOCK:ISCLOCKED	NO
BUS:B2:PARALLEL:CLOCK:SOURCE	CH1
BUS:B2:PARALLEL:WIDTH	16
BUS:B2:POSITION	0.0E+0
BUS:B2:RS232C:BITRATE	9600
BUS:B2:RS232C:DATABITS	8
BUS:B2:RS232C:DELIMITER	LF
BUS:B2:RS232C:DISPLAYMODE	FRAME
BUS:B2:RS232C:PARITY	NONE
BUS:B2:RS232C:POLARITY	NORMAL
BUS:B2:RS232C:RX:SOURCE	OFF
BUS:B2:RS232C:TX:SOURCE	CH1
BUS:B2:SPI:BITORDER	MSB
BUS:B2:SPI:CLOCK:POLARITY	RISE
BUS:B2:SPI:CLOCK:SOURCE	CH1
BUS:B2:SPI:DATA:IN:POLARITY	HIGH
BUS:B2:SPI:DATA:IN:SOURCE	OFF
BUS:B2:SPI:DATA:OUT:POLARITY	HIGH
BUS:B2:SPI:DATA:OUT:SOURCE	CH3
BUS:B2:SPI:DATA:SIZE	8
BUS:B2:SPI:FRAMING	SS
BUS:B2:SPI:IDLETIME	5.0000E-6
BUS:B2:SPI:SELECT:POLARITY	LOW
BUS:B2:SPI:SELECT:SOURCE	CH2
BUS:B2:STATE	0
BUS:B2:TYPE	PARALLEL
BUS:B2:USB:BITRATE	FULL
BUS:B2:USB:PROBE	DIFFERENTIAL
BUS:B2:USB:SOURCE:DIFFERENTIAL	CH1
BUS:B2:USB:SOURCE:DMINUS	CH2

Table C-1: Default Values (cont.)

Item	Description
BUS:B2:USB:SOURCE:DPLUS	CH1
BUS:B3:AUDIO:BITDELAY	1
BUS:B3:AUDIO:BITORDER	MSB
BUS:B3:AUDIO:CHANNEL:SIZE	24
BUS:B3:AUDIO:CLOCK:POLARITY	RISE
BUS:B3:AUDIO:CLOCK:SOURCE	CH1
BUS:B3:AUDIO:DATA:POLARITY	NORMAL
BUS:B3:AUDIO:DATA:SIZE	24
BUS:B3:AUDIO:DISPLAY:FORMAT	SIGNEDDECIMAL
BUS:B3:AUDIO:FRAME:SIZE	8
BUS:B3:AUDIO:FRAMESYNC:POLARITY	RISE
BUS:B3:AUDIO:FRAMESYNC:SOURCE	CH2
BUS:B3:AUDIO:TYPE	I2S
BUS:B3:AUDIO:WORDSEL:POLARITY	NORMAL
BUS:B3:AUDIO:WORDSEL:SOURCE	CH2
BUS:B3:CAN:BITRATE	500000
BUS:B3:CAN:PROBE	CANH
BUS:B3:CAN:SAMPLEPOINT	50
BUS:B3:CAN:SOURCE	CH1
BUS:B3:DISPLAY:FORMAT	HEXADECIMAL
BUS:B3:DISPLAY:TYPE	BUS
BUS:B3:ETHERNET:PROBE	DIFFERENTIAL
BUS:B3:ETHERNET:PROTOCOL	IPV4
BUS:B3:ETHERNET:SOURCE:DIFFERENTIAL	CH1
BUS:B3:ETHERNET:SOURCE:DMINUS	CH2
BUS:B3:ETHERNET:SOURCE:DPLUS	CH1
BUS:B3:ETHERNET:TYPE	ENET100BASETX
BUS:B3:FLEXRAY:BITRATE	10000000
BUS:B3:FLEXRAY:CHANNEL	A
BUS:B3:FLEXRAY:SIGNAL	BDIFFBP
BUS:B3:FLEXRAY:SOURCE	CH1
BUS:B3:I2C:ADDRESS:RWINCLUDE	0
BUS:B3:I2C:CLOCK:SOURCE	CH1
BUS:B3:I2C:DATA:SOURCE	CH2
BUS:B3:LABEL	"Parallel"
BUS:B3:LIN:BITRATE	19200
BUS:B3:LIN:IDFORMAT	NOPARITY

Table C-1: Default Values (cont.)

Item	Description
BUS:B3:LIN:POLARITY	NORMAL
BUS:B3:LIN:SAMPLEPOINT	50
BUS:B3:LIN:SOURCE	CH1
BUS:B3:LIN:STANDARD	V2X
BUS:B3:MIL1553B:POLARITY	NORMAL
BUS:B3:MIL1553B:RESPONSETIME:MAXIMUM	12.0000E-6
BUS:B3:MIL1553B:RESPONSETIME:MINIMUM	4.0000E-6
BUS:B3:MIL1553B:SOURCE	CH1
BUS:B3:PARALLEL:BIT0:SOURCE	D0
BUS:B3:PARALLEL:BIT10:SOURCE	D10
BUS:B3:PARALLEL:BIT11:SOURCE	D11
BUS:B3:PARALLEL:BIT12:SOURCE	D12
BUS:B3:PARALLEL:BIT13:SOURCE	D13
BUS:B3:PARALLEL:BIT14:SOURCE	D14
BUS:B3:PARALLEL:BIT15:SOURCE	D15
BUS:B3:PARALLEL:BIT16:SOURCE	CH1
BUS:B3:PARALLEL:BIT17:SOURCE	CH2
BUS:B3:PARALLEL:BIT18:SOURCE	CH3
BUS:B3:PARALLEL:BIT19:SOURCE	CH4
BUS:B3:PARALLEL:BIT1:SOURCE	D1
BUS:B3:PARALLEL:BIT2:SOURCE	D2
BUS:B3:PARALLEL:BIT3:SOURCE	D3
BUS:B3:PARALLEL:BIT4:SOURCE	D4
BUS:B3:PARALLEL:BIT5:SOURCE	D5
BUS:B3:PARALLEL:BIT6:SOURCE	D6
BUS:B3:PARALLEL:BIT7:SOURCE	D7
BUS:B3:PARALLEL:BIT8:SOURCE	D8
BUS:B3:PARALLEL:BIT9:SOURCE	D9
BUS:B3:PARALLEL:CLOCK:EDGE	RISING
BUS:B3:PARALLEL:CLOCK:ISCLOCKED	NO
BUS:B3:PARALLEL:CLOCK:SOURCE	CH1
BUS:B3:PARALLEL:WIDTH	16
BUS:B3:POSITION	0.0E+0
BUS:B3:RS232C:BITRATE	9600
BUS:B3:RS232C:DATABITS	8
BUS:B3:RS232C:DELIMITER	LF
BUS:B3:RS232C:DISPLAYMODE	FRAME

Table C-1: Default Values (cont.)

Item	Description
BUS:B3:RS232C:PARITY	NONE
BUS:B3:RS232C:POLARITY	NORMAL
BUS:B3:RS232C:RX:SOURCE	OFF
BUS:B3:RS232C:TX:SOURCE	CH1
BUS:B3:SPI:BITORDER	MSB
BUS:B3:SPI:CLOCK:POLARITY	RISE
BUS:B3:SPI:CLOCK:SOURCE	CH1
BUS:B3:SPI:DATA:IN:POLARITY	HIGH
BUS:B3:SPI:DATA:IN:SOURCE	OFF
BUS:B3:SPI:DATA:OUT:POLARITY	HIGH
BUS:B3:SPI:DATA:OUT:SOURCE	CH3
BUS:B3:SPI:DATA:SIZE	8
BUS:B3:SPI:FRAMING	SS
BUS:B3:SPI:IDLETIME	5.0000E-6
BUS:B3:SPI:SELECT:POLARITY	LOW
BUS:B3:SPI:SELECT:SOURCE	CH2
BUS:B3:STATE	0
BUS:B3:TYPE	PARALLEL
BUS:B3:USB:BITRATE	FULL
BUS:B3:USB:PROBE	DIFFERENTIAL
BUS:B3:USB:SOURCE:DIFFERENTIAL	CH1
BUS:B3:USB:SOURCE:DMINUS	CH2
BUS:B3:USB:SOURCE:DPLUS	CH1
BUS:B4:AUDIO:BITDELAY	1
BUS:B4:AUDIO:BITORDER	MSB
BUS:B4:AUDIO:CHANNEL:SIZE	24
BUS:B4:AUDIO:CLOCK:POLARITY	RISE
BUS:B4:AUDIO:CLOCK:SOURCE	CH1
BUS:B4:AUDIO:DATA:POLARITY	NORMAL
BUS:B4:AUDIO:DATA:SIZE	24
BUS:B4:AUDIO:DISPLAY:FORMAT	SIGNEDDECIMAL
BUS:B4:AUDIO:FRAME:SIZE	8
BUS:B4:AUDIO:FRAMESYNC:POLARITY	RISE
BUS:B4:AUDIO:FRAMESYNC:SOURCE	CH2
BUS:B4:AUDIO:TYPE	I2S
BUS:B4:AUDIO:WORDSEL:POLARITY	NORMAL
BUS:B4:AUDIO:WORDSEL:SOURCE	CH2

Table C-1: Default Values (cont.)

Item	Description
BUS:B4:CAN:BITRATE	500000
BUS:B4:CAN:PROBE	CANH
BUS:B4:CAN:SAMPLEPOINT	50
BUS:B4:CAN:SOURCE	CH1
BUS:B4:DISPLAY:FORMAT	HEXADECIMAL
BUS:B4:DISPLAY:TYPE	BUS
BUS:B4:ETHERNET:PROBE	DIFFERENTIAL
BUS:B4:ETHERNET:PROTOCOL	IPV4
BUS:B4:ETHERNET:SOURCE:DIFFERENTIAL	CH1
BUS:B4:ETHERNET:SOURCE:DMINUS	CH2
BUS:B4:ETHERNET:SOURCE:DPLUS	CH1
BUS:B4:ETHERNET:TYPE	ENET100BASETX
BUS:B4:FLEXRAY:BITRATE	10000000
BUS:B4:FLEXRAY:CHANNEL	A
BUS:B4:FLEXRAY:SIGNAL	BDIFFBP
BUS:B4:FLEXRAY:SOURCE	CH1
BUS:B4:I2C:ADDRESS:RWINCLUDE	0
BUS:B4:I2C:CLOCK:SOURCE	CH1
BUS:B4:I2C:DATA:SOURCE	CH2
BUS:B4:LABEL	"Parallel"
BUS:B4:LIN:BITRATE	19200
BUS:B4:LIN:IDFORMAT	NOPARITY
BUS:B4:LIN:POLARITY	NORMAL
BUS:B4:LIN:SAMPLEPOINT	50
BUS:B4:LIN:SOURCE	CH1
BUS:B4:LIN:STANDARD	V2X
BUS:B4:MIL1553B:POLARITY	NORMAL
BUS:B4:MIL1553B:RESPONSETIME:MAXIMUM	12.0000E-6
BUS:B4:MIL1553B:RESPONSETIME:MINIMUM	4.0000E-6
BUS:B4:MIL1553B:SOURCE	CH1
BUS:B4:PARALLEL:BIT0:SOURCE	D0
BUS:B4:PARALLEL:BIT10:SOURCE	D10
BUS:B4:PARALLEL:BIT11:SOURCE	D11
BUS:B4:PARALLEL:BIT12:SOURCE	D12
BUS:B4:PARALLEL:BIT13:SOURCE	D13
BUS:B4:PARALLEL:BIT14:SOURCE	D14
BUS:B4:PARALLEL:BIT15:SOURCE	D15

Table C-1: Default Values (cont.)

Item	Description
BUS:B4:PARALLEL:BIT16:SOURCE	CH1
BUS:B4:PARALLEL:BIT17:SOURCE	CH2
BUS:B4:PARALLEL:BIT18:SOURCE	CH3
BUS:B4:PARALLEL:BIT19:SOURCE	CH4
BUS:B4:PARALLEL:BIT1:SOURCE	D1
BUS:B4:PARALLEL:BIT2:SOURCE	D2
BUS:B4:PARALLEL:BIT3:SOURCE	D3
BUS:B4:PARALLEL:BIT4:SOURCE	D4
BUS:B4:PARALLEL:BIT5:SOURCE	D5
BUS:B4:PARALLEL:BIT6:SOURCE	D6
BUS:B4:PARALLEL:BIT7:SOURCE	D7
BUS:B4:PARALLEL:BIT8:SOURCE	D8
BUS:B4:PARALLEL:BIT9:SOURCE	D9
BUS:B4:PARALLEL:CLOCK:EDGE	RISING
BUS:B4:PARALLEL:CLOCK:ISCLOCKED	NO
BUS:B4:PARALLEL:CLOCK:SOURCE	CH1
BUS:B4:PARALLEL:WIDTH	16
BUS:B4:POSITION	0.0E+0
BUS:B4:RS232C:BITRATE	9600
BUS:B4:RS232C:DATABITS	8
BUS:B4:RS232C:DELIMITER	LF
BUS:B4:RS232C:DISPLAYMODE	FRAME
BUS:B4:RS232C:PARITY	NONE
BUS:B4:RS232C:POLARITY	NORMAL
BUS:B4:RS232C:RX:SOURCE	OFF
BUS:B4:RS232C:TX:SOURCE	CH1
BUS:B4:SPI:BITORDER	MSB
BUS:B4:SPI:CLOCK:POLARITY	RISE
BUS:B4:SPI:CLOCK:SOURCE	CH1
BUS:B4:SPI:DATA:IN:POLARITY	HIGH
BUS:B4:SPI:DATA:IN:SOURCE	OFF
BUS:B4:SPI:DATA:OUT:POLARITY	HIGH
BUS:B4:SPI:DATA:OUT:SOURCE	CH3
BUS:B4:SPI:DATA:SIZE	8
BUS:B4:SPI:FRAMING	SS
BUS:B4:SPI:IDLETIME	5.0000E-6
BUS:B4:SPI:SELECT:POLARITY	LOW

Table C-1: Default Values (cont.)

Item	Description
BUS:B4:SPI:SELECT:SOURCE	CH2
BUS:B4:STATE	0
BUS:B4:TYPE	PARALLEL
BUS:B4:USB:BITRATE	FULL
BUS:B4:USB:PROBE	DIFFERENTIAL
BUS:B4:USB:SOURCE:DIFFERENTIAL	CH1
BUS:B4:USB:SOURCE:DMINUS	CH2
BUS:B4:USB:SOURCE:DPLUS	CH1
BUS:LOWERTHRESHOLD:CH1	0.0E+0
BUS:LOWERTHRESHOLD:CH2	0.0E+0
BUS:LOWERTHRESHOLD:CH3	0.0E+0
BUS:LOWERTHRESHOLD:CH4	0.0E+0
BUS:LOWERTHRESHOLD:MATH	0.0E+0
BUS:LOWERTHRESHOLD:REF1	0.0E+0
BUS:LOWERTHRESHOLD:REF2	0.0E+0
BUS:LOWERTHRESHOLD:REF3	0.0E+0
BUS:LOWERTHRESHOLD:REF4	0.0E+0
BUS:UPPERTHRESHOLD:CH1	1.4000
BUS:UPPERTHRESHOLD:CH2	800.0000E-3
BUS:UPPERTHRESHOLD:CH3	800.0000E-3
BUS:UPPERTHRESHOLD:CH4	800.0000E-3
BUS:UPPERTHRESHOLD:MATH	0.0E+0
BUS:UPPERTHRESHOLD:REF1	0.0E+0
BUS:UPPERTHRESHOLD:REF2	0.0E+0
BUS:UPPERTHRESHOLD:REF3	0.0E+0
BUS:UPPERTHRESHOLD:REF4	0.0E+0
CH1:AMPSVIAVOLTS:ENABLE	0
CH1:AMPSVIAVOLTS:FACTOR	10.0000
CH1:BANDWIDTH	350.0000E+6
CH1:COUPLING	DC
CH1:DESKEW	0.0E+0
CH1:INVERT	0
CH1:LABEL	""
CH1:OFFSET	0.0E+0
CH1:POSITION	0.0E+0
CH1:PROBE:FORCEDRANGE	0.0E+0
CH1:PROBE:GAIN	100.0000E-3

Table C-1: Default Values (cont.)

Item	Description
CH1:PROBE:PROPDELAY	5.3000E-9
CH1:SCALE	1.0000
CH1:TERMINATION	1.0000E+6
CH1:YUNITS	"V"
CH2:AMPSVIAVOLTS:ENABLE	0
CH2:AMPSVIAVOLTS:FACTOR	10.0000
CH2:BANDWIDTH	350.0000E+6
CH2:COUPLING	DC
CH2:DESKEW	0.0E+0
CH2:INVERT	0
CH2:LABEL	""
CH2:OFFSET	0.0E+0
CH2:POSITION	0.0E+0
CH2:PROBE:FORCEDRANGE	0.0E+0
CH2:PROBE:GAIN	1.0000
CH2:PROBE:PROPDELAY	0.0E+0
CH2:SCALE	100.0000E-3
CH2:TERMINATION	1.0000E+6
CH2:YUNITS	"V"
CH3:AMPSVIAVOLTS:ENABLE	0
CH3:AMPSVIAVOLTS:FACTOR	10.0000
CH3:BANDWIDTH	350.0000E+6
CH3:COUPLING	DC
CH3:DESKEW	0.0E+0
CH3:INVERT	0
CH3:LABEL	""
CH3:OFFSET	0.0E+0
CH3:POSITION	0.0E+0
CH3:PROBE:FORCEDRANGE	0.0E+0
CH3:PROBE:GAIN	1.0000
CH3:PROBE:PROPDELAY	0.0E+0
CH3:SCALE	100.0000E-3
CH3:TERMINATION	1.0000E+6
CH3:YUNITS	"V"
CH4:AMPSVIAVOLTS:ENABLE	0
CH4:AMPSVIAVOLTS:FACTOR	10.0000
CH4:BANDWIDTH	350.0000E+6

Table C-1: Default Values (cont.)

Item	Description
CH4:COUPLING	DC
CH4:DESKEW	0.0E+0
CH4:INVERT	0
CH4:LABEL	""
CH4:OFFSET	0.0E+0
CH4:POSITION	0.0E+0
CH4:PROBE:FORCEDRANGE	0.0E+0
CH4:PROBE:GAIN	1.0000
CH4:PROBE:PROPDELAY	0.0E+0
CH4:SCALE	100.0000E-3
CH4:TERMINATION	1.0000E+6
CH4:YUNITS	"V"
CURSOR:FUNCTION	OFF
CURSOR:HBARS:POSITION1	0.0E+0
CURSOR:HBARS:POSITION2	0.0E+0
CURSOR:HBARS:UNITS	BASE
CURSOR:MODE	INDEPENDENT
CURSOR:SOURCE	AUTO
CURSOR:VBARS:POSITION1	-12.00E-6
CURSOR:VBARS:POSITION2	12.00E-6
CURSOR:VBARS:UNITS	SECONDS
CURSOR:XY:READOUT	RECTANGULAR
CURSOR:XY:RECTANGULAR:X:POSITION1	0.0E+0
CURSOR:XY:RECTANGULAR:X:POSITION2	0.0E+0
CURSOR:XY:RECTANGULAR:Y:POSITION1	0.0E+0
CURSOR:XY:RECTANGULAR:Y:POSITION2	0.0E+0
D0:LABEL	""
D0:POSITION	60.0000E-3
D0:THRESHOLD	1.4000
D10:LABEL	""
D10:POSITION	60.0000E-3
D10:THRESHOLD	1.4000
D11:LABEL	""
D11:POSITION	60.0000E-3
D11:THRESHOLD	1.4000
D12:LABEL	""
D12:POSITION	60.0000E-3

Table C-1: Default Values (cont.)

Item	Description
D12:THRESHOLD	1.4000
D13:LABEL	""
D13:POSITION	60.0000E-3
D13:THRESHOLD	1.4000
D14:LABEL	""
D14:POSITION	60.0000E-3
D14:THRESHOLD	1.4000
D15:LABEL	""
D15:POSITION	60.0000E-3
D15:THRESHOLD	1.4000
D1:LABEL	""
D1:POSITION	60.0000E-3
D1:THRESHOLD	1.4000
D2:LABEL	""
D2:POSITION	60.0000E-3
D2:THRESHOLD	1.4000
D3:LABEL	""
D3:POSITION	60.0000E-3
D3:THRESHOLD	1.4000
D4:LABEL	""
D4:POSITION	60.0000E-3
D4:THRESHOLD	1.4000
D5:LABEL	""
D5:POSITION	60.0000E-3
D5:THRESHOLD	1.4000
D6:LABEL	""
D6:POSITION	60.0000E-3
D6:THRESHOLD	1.4000
D7:LABEL	""
D7:POSITION	60.0000E-3
D7:THRESHOLD	1.4000
D8:LABEL	""
D8:POSITION	60.0000E-3
D8:THRESHOLD	1.4000
D9:LABEL	""
D9:POSITION	60.0000E-3
D9:THRESHOLD	1.4000

Table C-1: Default Values (cont.)

Item	Description
DATA:DESTINATION	REF1
DATA:ENCDG	RIBINARY
DATA:SOURCE	CH1
DATA:START	1
DATA:STOP	10000
DESKEW:DISPLAY	1
DISPLAY:CLOCK	1
DISPLAY:DIGITAL:HEIGHT	MEDIUM
DISPLAY:GRATICULE	FULL
DISPLAY:INTENSITY:BACKLIGHT	HIGH
DISPLAY:INTENSITY:GRATICULE	75
DISPLAY:INTENSITY:WAVEFORM	35
DISPLAY:PERSISTENCE	0.0E+0
DISPLAY:STYLE:DOTSONLY	0
DISPLAY:TRIGFREQUENCY	0
DISPLAY:XY	OFF
HARDCOPY:INKSAVER	1
HARDCOPY:LAYOUT	LANDSCAPE
HARDCOPY:PREVIEW	0
HEADER	1
HISTOGRAM:BOXPCNT	20.0000,20.0000,80.0000,80.0000
HISTOGRAM:DISPLAY	LINEAR
HISTOGRAM:MODE	OFF
HISTOGRAM:SOURCE	CH1
HORIZONTAL:DELAY:MODE	1
HORIZONTAL:DELAY:TIME	0.0E+0
HORIZONTAL:POSITION	50.0000
HORIZONTAL:RECORDLENGTH	10000
HORIZONTAL:SCALE	4.0000E-6
LOCK	NONE
MARKER:M1:FREQUENCY:ABSOLUTE	0.0E+0
MARKER:M2:FREQUENCY:ABSOLUTE	0.0E+0
MARKER:MANUAL	0
MARKER:PEAK:EXCURSION	30.0000
MARKER:PEAK:MAXIMUM	5
MARKER:PEAK:STATE	1
MARKER:PEAK:THRESHOLD	-50.0000

Table C-1: Default Values (cont.)

Item	Description
MARKER:TYPE	ABSOLUTE
MASK:COPY:SOURCE	NONE
MASK:DISPLAY	0
MASK:LOCK	0
MASK:MARGIN:PERCENT	0.0E+0
MASK:MARGIN:STATE	0
MASK:POLARITY	POSITIVE
MASK:SOURCE	CH1
MASK:STANDARD	NONE
MASK:STOPONVIOLATION	0
MASK:TEMPLATE:SOURCE	CH1
MASK:TEMPLATE:TOLERANCE:HORIZONTAL	200.0000E-3
MASK:TEMPLATE:TOLERANCE:VERTICAL	200.0000E-3
MASK:TEST:AUXOUT:COMPLETION	0
MASK:TEST:AUXOUT:FAILURE	0
MASK:TEST:COMPLETION:CRITERION	WAVEFORM
MASK:TEST:DELAY	0.0E+0
MASK:TEST:HARDCOPY	0
MASK:TEST:REPEAT	0
MASK:TEST:SAVEIMAGE	0
MASK:TEST:SAVEWFM	0
MASK:TEST:SRQ:COMPLETION	0
MASK:TEST:SRQ:FAILURE	0
MASK:TEST:STATE	0
MASK:TEST:STOP:FAILURE	0
MASK:TEST:THRESHOLD	1
MASK:TEST:TIME	INFINITE
MASK:TEST:WAVEFORM	INFINITE
MASK:USER:AMPLITUDE	1.0000
MASK:USER:HSCALE	400.0000E-6
MASK:USER:HTRIGPOS	500.0000E-3
MASK:USER:LABEL	""
MASK:USER:RECORDLENGTH	10000
MASK:USER:SEG1:POINTS	0.0E+0,0.0E+0
MASK:USER:SEG2:POINTS	0.0E+0,0.0E+0
MASK:USER:SEG3:POINTS	0.0E+0,0.0E+0
MASK:USER:SEG4:POINTS	0.0E+0,0.0E+0

Table C-1: Default Values (cont.)

Item	Description
MASK:USER:SEG5:POINTS	0.0E+0,0.0E+0
MASK:USER:SEG6:POINTS	0.0E+0,0.0E+0
MASK:USER:SEG7:POINTS	0.0E+0,0.0E+0
MASK:USER:SEG8:POINTS	0.0E+0,0.0E+0
MASK:USER:TRIGTOSAMP	100.0000E-6
MASK:USER:VOFFSET	0.0E+0
MASK:USER:VPOS	0.0E+0
MASK:USER:VSCALE	100.0000E-3
MASK:USER:WIDTH	400.0000E-6
MATH:DEFINE	"CH1+CH2"
MATH:HORIZONTAL:POSITION	50.0000
MATH:HORIZONTAL:SCALE	4.0000E-6
MATH:HORIZONTAL:UNITS	"s"
MATH:LABEL	""
MATH:SPECTRAL:MAG	DB
MATH:SPECTRAL:WINDOW	HANNING
MATH:TYPE	DUAL
MATH:VERTICAL:POSITION	0.0E+0
MATH:VERTICAL:SCALE	100.0000E-3
MATH:VERTICAL:UNITS	"V"
MATHVAR:VAR1	0.0E+0
MATHVAR:VAR2	0.0E+0
MEASUREMENT:GATING	SCREEN
MEASUREMENT:IMMED:DELAY:DIRECTION	FORWARDS
MEASUREMENT:IMMED:DELAY:EDGE1	RISE
MEASUREMENT:IMMED:DELAY:EDGE2	RISE
MEASUREMENT:IMMED:SOURCE1	CH1
MEASUREMENT:IMMED:SOURCE2	CH2
MEASUREMENT:IMMED:TYPE	PERIOD
MEASUREMENT:INDICATORS:STATE	OFF
MEASUREMENT:MEAS1:DELAY:DIRECTION	FORWARDS
MEASUREMENT:MEAS1:DELAY:EDGE1	RISE
MEASUREMENT:MEAS1:DELAY:EDGE2	RISE
MEASUREMENT:MEAS1:SOURCE1	CH1
MEASUREMENT:MEAS1:SOURCE2	CH2
MEASUREMENT:MEAS1:STATE	0
MEASUREMENT:MEAS1:TYPE	PERIOD

Table C-1: Default Values (cont.)

Item	Description
MEASUREMENT:MEAS2:DELAY:DIRECTION	FORWARDS
MEASUREMENT:MEAS2:DELAY:EDGE1	RISE
MEASUREMENT:MEAS2:DELAY:EDGE2	RISE
MEASUREMENT:MEAS2:SOURCE1	CH1
MEASUREMENT:MEAS2:SOURCE2	CH2
MEASUREMENT:MEAS2:STATE	0
MEASUREMENT:MEAS2:TYPE	PERIOD
MEASUREMENT:MEAS3:DELAY:DIRECTION	FORWARDS
MEASUREMENT:MEAS3:DELAY:EDGE1	RISE
MEASUREMENT:MEAS3:DELAY:EDGE2	RISE
MEASUREMENT:MEAS3:SOURCE1	CH1
MEASUREMENT:MEAS3:SOURCE2	CH2
MEASUREMENT:MEAS3:STATE	0
MEASUREMENT:MEAS3:TYPE	PERIOD
MEASUREMENT:MEAS4:DELAY:DIRECTION	FORWARDS
MEASUREMENT:MEAS4:DELAY:EDGE1	RISE
MEASUREMENT:MEAS4:DELAY:EDGE2	RISE
MEASUREMENT:MEAS4:SOURCE1	CH1
MEASUREMENT:MEAS4:SOURCE2	CH2
MEASUREMENT:MEAS4:STATE	0
MEASUREMENT:MEAS4:TYPE	PERIOD
MEASUREMENT:MEAS5:DELAY:DIRECTION	FORWARDS
MEASUREMENT:MEAS5:DELAY:EDGE1	RISE
MEASUREMENT:MEAS5:DELAY:EDGE2	RISE
MEASUREMENT:MEAS5:SOURCE1	CH1
MEASUREMENT:MEAS5:SOURCE2	CH2
MEASUREMENT:MEAS5:STATE	0
MEASUREMENT:MEAS5:TYPE	PERIOD
MEASUREMENT:MEAS6:DELAY:DIRECTION	FORWARDS
MEASUREMENT:MEAS6:DELAY:EDGE1	RISE
MEASUREMENT:MEAS6:DELAY:EDGE2	RISE
MEASUREMENT:MEAS6:SOURCE1	CH1
MEASUREMENT:MEAS6:SOURCE2	CH2
MEASUREMENT:MEAS6:STATE	0
MEASUREMENT:MEAS6:TYPE	PERIOD
MEASUREMENT:MEAS7:DELAY:DIRECTION	FORWARDS
MEASUREMENT:MEAS7:DELAY:EDGE1	RISE

Table C-1: Default Values (cont.)

Item	Description
MEASUREMENT:MEAS7:DELAY:EDGE2	RISE
MEASUREMENT:MEAS7:SOURCE1	CH1
MEASUREMENT:MEAS7:SOURCE2	CH2
MEASUREMENT:MEAS7:STATE	0
MEASUREMENT:MEAS7:TYPE	PERIOD
MEASUREMENT:MEAS8:DELAY:DIRECTION	FORWARDS
MEASUREMENT:MEAS8:DELAY:EDGE1	RISE
MEASUREMENT:MEAS8:DELAY:EDGE2	RISE
MEASUREMENT:MEAS8:SOURCE1	CH1
MEASUREMENT:MEAS8:SOURCE2	CH2
MEASUREMENT:MEAS8:STATE	0
MEASUREMENT:MEAS8:TYPE	PERIOD
MEASUREMENT:METHOD	AUTO
MEASUREMENT:REFLEVEL:ABSOLUTE:HIGH	0.0E+0
MEASUREMENT:REFLEVEL:ABSOLUTE:LOW	0.0E+0
MEASUREMENT:REFLEVEL:ABSOLUTE:MID1	0.0E+0
MEASUREMENT:REFLEVEL:ABSOLUTE:MID2	0.0E+0
MEASUREMENT:REFLEVEL:METHOD	PERCENT
MEASUREMENT:REFLEVEL:PERCENT:HIGH	90.0000
MEASUREMENT:REFLEVEL:PERCENT:LOW	10.0000
MEASUREMENT:REFLEVEL:PERCENT:MID1	50.0000
MEASUREMENT:REFLEVEL:PERCENT:MID2	50.0000
MEASUREMENT:STATISTICS:MODE	ALL
MEASUREMENT:STATISTICS:WEIGHTING	32
MESSAGE:BOX	271,82,271,98
MESSAGE:SHOW	""
MESSAGE:STATE	0
PICTBRIDGE:DATEPRINT	DEFLT
PICTBRIDGE:IDPRINT	OFF
PICTBRIDGE:IMAGESIZE	DEFLT
PICTBRIDGE:PAPERSIZE	DEFLT
PICTBRIDGE:PAPERTYPE	DEFLT
PICTBRIDGE:PRINTQUAL	DEFLT
POWER:CURRENTSOURCE	CH2
POWER:DISPLAY	0
POWER:GATESOURCE	NONE
POWER:GATING	OFF

Table C-1: Default Values (cont.)

Item	Description
POWER:HARMONICS:DISPLAY:SELECT	ALL
POWER:HARMONICS:DISPLAY:TYPE	GRAPH
POWER:HARMONICS:FREQREF	HARMSOURCE
POWER:HARMONICS:FREQREF:FIXEDFREQVALUE	60.0000
POWER:HARMONICS:IEC:CLASS	A
POWER:HARMONICS:IEC:FILTER	1
POWER:HARMONICS:IEC:FUNDAMENTAL	16.0000
POWER:HARMONICS:IEC:GROUPING	1
POWER:HARMONICS:IEC:INPUTPOWER	100
POWER:HARMONICS:IEC:LINEFREQUENCY	60
POWER:HARMONICS:IEC:OBSPERIOD	10.0000
POWER:HARMONICS:IEC:POWERFACTOR	900.0000E-3
POWER:HARMONICS:MIL:FUNDAMENTAL:CALCMETHOD	MEAS
POWER:HARMONICS:MIL:FUNDAMENTAL:USER:CURRENT	1.0000
POWER:HARMONICS:MIL:LINEFREQUENCY	400
POWER:HARMONICS:MIL:POWERLEVEL	LOW
POWER:HARMONICS:NR_HARMONICS	40
POWER:HARMONICS:SOURCE	CURRENT
POWER:HARMONICS:STANDARD	NONE
POWER:INDICATORS	0
POWER:MODULATION:SOURCE	VOLTAGE
POWER:MODULATION:TYPE	PWIDTH
POWER:QUALITY:DISPLAY:APPPWR	0
POWER:QUALITY:DISPLAY:FREQUENCY	0
POWER:QUALITY:DISPLAY:ICRESTFACTOR	0
POWER:QUALITY:DISPLAY:IRMS	0
POWER:QUALITY:DISPLAY:PHASEANGLE	0
POWER:QUALITY:DISPLAY:POWERFACTOR	0
POWER:QUALITY:DISPLAY:REACTPWR	0
POWER:QUALITY:DISPLAY:TRUEPWR	0
POWER:QUALITY:DISPLAY:VCRESTFACTOR	0
POWER:QUALITY:DISPLAY:VRMS	0
POWER:QUALITY:FREQREFERENCE	VOLTAGE
POWER:REFLEVEL:ABSOLUTE:HIGH	0.0E+0
POWER:REFLEVEL:ABSOLUTE:LOW	0.0E+0
POWER:REFLEVEL:ABSOLUTE:MID1	0.0E+0
POWER:REFLEVEL:ABSOLUTE:MID2	0.0E+0

Table C-1: Default Values (cont.)

Item	Description
POWER:REFLEVEL:ABSOLUTE:MID3	50.0000
POWER:REFLEVEL:HYSTERESIS	10.0000
POWER:REFLEVEL:METHOD	PERCENT
POWER:REFLEVEL:PERCENT:HIGH	90.0000
POWER:REFLEVEL:PERCENT:LOW	10.0000
POWER:REFLEVEL:PERCENT:MID1	50.0000
POWER:REFLEVEL:PERCENT:MID2	50.0000
POWER:REFLEVEL:PERCENT:MID3	50.0000
POWER:RIPPLE:SOURCE	VOLTAGE
POWER:SOA:LINEAR:XMAX	500.0000
POWER:SOA:LINEAR:XMIN	0.0E+0
POWER:SOA:LINEAR:YMAX	50.0000
POWER:SOA:LINEAR:YMIN	0.0E+0
POWER:SOA:LOG:XMAX	1.0000E+3
POWER:SOA:LOG:XMIN	100.0000E-3
POWER:SOA:LOG:YMAX	100.0000
POWER:SOA:LOG:YMIN	100.0000E-3
POWER:SOA:MASK:DEFINE	0.0E+0,30.0000,25.0000,30.0000,300.0000,2.5000,300.0000,0.0E+0
POWER:SOA:MASK:MAXAMPS	30.0000
POWER:SOA:MASK:MAXVOLTS	300.0000
POWER:SOA:MASK:MAXWATTS	750.0000
POWER:SOA:MASK:STATE	LIMITS
POWER:SOA:MASK:STOPONVIOL	0
POWER:SOA:PLOTTYPE	LOG
POWER:STATISTICS:MODE	ALL
POWER:STATISTICS:WEIGHTING	32
POWER:SWLOSS:CONDCALCMETHOD	VOLTAGE
POWER:SWLOSS:DISPLAY	ALL
POWER:SWLOSS:GATE:POLARITY	RISE
POWER:SWLOSS:GATE:TURNON	1.5000
POWER:SWLOSS:RDSON	20.0000E-3
POWER:SWLOSS:REFLEVEL:ABSOLUTE:GATEMID	50.0000
POWER:SWLOSS:REFLEVEL:ABSOLUTE:LOWCURRENT	1.0000
POWER:SWLOSS:REFLEVEL:ABSOLUTE:LOWVOLTAGE	5.0000
POWER:SWLOSS:REFLEVEL:PERCENT:GATEMID	50.0000
POWER:SWLOSS:REFLEVEL:PERCENT:LOWCURRENT	5.0000
POWER:SWLOSS:REFLEVEL:PERCENT:LOWVOLTAGE	5.0000

Table C-1: Default Values (cont.)

Item	Description
POWER:SWLOSS:VCESAT	2.0000
POWER:TYPE	NONE
POWER:VOLTAGESOURCE	CH1
REF1:HORIZONTAL:DELAY:TIME	0.0E+0
REF1:HORIZONTAL:SCALE	400.0000E-6
REF1:VERTICAL:POSITION	0.0E+0
REF1:VERTICAL:SCALE	1.0000
REF2:HORIZONTAL:DELAY:TIME	0.0E+0
REF2:HORIZONTAL:SCALE	4.0000E-6
REF2:VERTICAL:POSITION	0.0E+0
REF2:VERTICAL:SCALE	100.0000E-3
REF3:HORIZONTAL:DELAY:TIME	0.0E+0
REF3:HORIZONTAL:SCALE	4.0000E-6
REF3:VERTICAL:POSITION	0.0E+0
REF3:VERTICAL:SCALE	100.0000E-3
REF4:HORIZONTAL:DELAY:TIME	0.0E+0
REF4:HORIZONTAL:SCALE	4.0000E-6
REF4:VERTICAL:POSITION	0.0E+0
REF4:VERTICAL:SCALE	100.0000E-3
RF:DETECTIONMETHOD:MODE	AUTO
RF:DETECTIONMETHOD:RF_AVERAGE	PLUSPEAK
RF:DETECTIONMETHOD:RF_MAXHOLD	PLUSPEAK
RF:DETECTIONMETHOD:RF_MINHOLD	MINUSPEAK
RF:DETECTIONMETHOD:RF_NORMAL	PLUSPEAK
RF:FREQUENCY	1.5000E+9
RF:MEASURE:ACPR:ADJACENTPAIRS	1
RF:MEASURE:ACPR:CHANBW	4.0000E+6
RF:MEASURE:ACPR:CHANSPPACING	5.0000E+6
RF:MEASURE:CP:CHANBW	10.0000E+6
RF:MEASURE:OBW:CHANBW	10.0000E+6
RF:MEASURE:OBW:PERCENTDOWN	99.0000
RF:MEASURE:TYPE	NONE
RF:POSITION	0.0E+0
RF:PROBE:FORCEDRANGE	0.0E+0
RF:PROBE:GAIN	1.0000
RF:RBW	3.0000E+6
RF:RBW:MODE	AUTO

Table C-1: Default Values (cont.)

Item	Description
RF:REFLEVEL	0.0E+0
RF:RF_AMPLITUDE:VERTICAL:POSITION	-4.0000
RF:RF_AMPLITUDE:VERTICAL:SCALE	100.0000E-3
RF:RF_AVERAGE:NUMAVG	16
RF:RF_FREQUENCY:VERTICAL:POSITION	0.0E+0
RF:RF_FREQUENCY:VERTICAL:SCALE	1.0000E+6
RF:RF_PHASE:VERTICAL:POSITION	0.0E+0
RF:RF_PHASE:VERTICAL:SCALE	50.0000
RF:SCALE	10.0000
RF:SPAN	3.0000E+9
RF:SPANRBWRATIO	1.0000E+3
RF:SPECTROGRAM:SLICESELECT	0
RF:SPECTROGRAM:STATE	0
RF:SPECTRUMMODE	FREERUN
RF:SQUELCH:STATE	0
RF:SQUELCH:THRESHOLD	1.0000E-3
RF:UNITS	DBM
RF:WINDOW	KAISER
ROSC:SOURCE	INTERNAL
SAVE:ASSIGN:TYPE	SETUP
SAVE:IMAGE:FILEFORMAT	PNG
SAVE:IMAGE:INKSAVER	0
SAVE:IMAGE:LAYOUT	LANDSCAPE
SAVE:WAVEFORM:FILEFORMAT	INTERNAL
SAVE:WAVEFORM:GATING	NONE
SEARCH:SEARCH1:STATE	0
SEARCH:SEARCH1:TRIGGER:A:BUS:B1:AUDIO:CONDITION	SOF
SEARCH:SEARCH1:TRIGGER:A:BUS:B1:AUDIO:DATA:HIVALUE	"XXXXXXXXXXXXXXXXXXXXXXXXXXXX"
SEARCH:SEARCH1:TRIGGER:A:BUS:B1:AUDIO:DATA:OFFSET	0
SEARCH:SEARCH1:TRIGGER:A:BUS:B1:AUDIO:DATA:QUALIFIER	EQUAL
SEARCH:SEARCH1:TRIGGER:A:BUS:B1:AUDIO:DATA:VALUE	"XXXXXXXXXXXXXXXXXXXXXXXXXXXX"
SEARCH:SEARCH1:TRIGGER:A:BUS:B1:AUDIO:DATA:WORD	EITHER
SEARCH:SEARCH1:TRIGGER:A:BUS:B1:CAN:CONDITION	SOF
SEARCH:SEARCH1:TRIGGER:A:BUS:B1:CAN:DATA:DIRECTION	NOCARE
SEARCH:SEARCH1:TRIGGER:A:BUS:B1:CAN:DATA:QUALIFIER	EQUAL
SEARCH:SEARCH1:TRIGGER:A:BUS:B1:CAN:DATA:SIZE	1
SEARCH:SEARCH1:TRIGGER:A:BUS:B1:CAN:DATA:VALUE	"XXXXXXX"

Table C-1: Default Values (cont.)

Item	Description
SEARCH:SEARCH1:TRIGGER:A:BUS:B1:CAN:FRAMETYPE	DATA
SEARCH:SEARCH1:TRIGGER:A:BUS:B1:CAN:IDENTIFIER:MODE	STANDARD
SEARCH:SEARCH1:TRIGGER:A:BUS:B1:CAN:IDENTIFIER:VALUE	"XXXXXXXXXX"
SEARCH:SEARCH1:TRIGGER:A:BUS:B1:ETHERNET:CONDITION	SFD
SEARCH:SEARCH1:TRIGGER:A:BUS:B1:ETHERNET:DATA:HIVALUE	"XXXXXXXX"
SEARCH:SEARCH1:TRIGGER:A:BUS:B1:ETHERNET:DATA:OFFSET	-1
SEARCH:SEARCH1:TRIGGER:A:BUS:B1:ETHERNET:DATA:SIZE	1
SEARCH:SEARCH1:TRIGGER:A:BUS:B1:ETHERNET:DATA:VALUE	"XXXXXXXX"
SEARCH:SEARCH1:TRIGGER:A:BUS:B1:ETHERNET:FRAMETYPE	BASIC
SEARCH:SEARCH1:TRIGGER:A:BUS:B1:ETHERNET:IPHEADER:DESTINATIONADDRESS:VALUE	"XXXXXXXXXXXXXXXXXXXXXXXXXXXXXXXXXXXX"
SEARCH:SEARCH1:TRIGGER:A:BUS:B1:ETHERNET:IPHEADER:PROTOCOL:VALUE	"XXXXXXXX"
SEARCH:SEARCH1:TRIGGER:A:BUS:B1:ETHERNET:IPHEADER:SOURCEADDRESS:VALUE	"XXXXXXXXXXXXXXXXXXXXXXXXXXXXXXXXXXXX"
SEARCH:SEARCH1:TRIGGER:A:BUS:B1:ETHERNET:MAC:ADDRESS:DESTINATIONADDRESS:VALUE	"XXXXXXXXXXXXXXXXXXXXXXXXXXXXXXXXXXXX"
SEARCH:SEARCH1:TRIGGER:A:BUS:B1:ETHERNET:MAC:ADDRESS:SOURCEADDRESS:VALUE	"XXXXXXXXXXXXXXXXXXXXXXXXXXXXXXXXXXXX"
SEARCH:SEARCH1:TRIGGER:A:BUS:B1:ETHERNET:MAC:LENGTH:HIVALUE	"XXXXXXXXXXXXXXXX"
SEARCH:SEARCH1:TRIGGER:A:BUS:B1:ETHERNET:MAC:LENGTH:VALUE	"XXXXXXXXXXXXXXXX"
SEARCH:SEARCH1:TRIGGER:A:BUS:B1:ETHERNET:QTAG:VALUE	"XXXXXXXXXXXXXXXXXXXXXXXXXXXXXXXXXXXX"
SEARCH:SEARCH1:TRIGGER:A:BUS:B1:ETHERNET:QUALIFIER	EQUAL
SEARCH:SEARCH1:TRIGGER:A:BUS:B1:ETHERNET:TCPHEADER:ACKNUM:VALUE	"XXXXXXXXXXXXXXXXXXXXXXXXXXXXXXXXXXXX"
SEARCH:SEARCH1:TRIGGER:A:BUS:B1:ETHERNET:TCPHEADER:DESTINATIONPORT:VALUE	"XXXXXXXXXX"
SEARCH:SEARCH1:TRIGGER:A:BUS:B1:ETHERNET:TCPHEADER:SEQNUM:VALUE	"XXXXXXXXXXXXXXXXXXXXXXXXXXXXXXXXXXXX"
SEARCH:SEARCH1:TRIGGER:A:BUS:B1:ETHERNET:TCPHEADER:SOURCEPORT:VALUE	"XXXXXXXXXX"
SEARCH:SEARCH1:TRIGGER:A:BUS:B1:FLEXRAY:CONDITION	SOF
SEARCH:SEARCH1:TRIGGER:A:BUS:B1:FLEXRAY:CYCLECOUNT:HIVALUE	"XXXXXX"
SEARCH:SEARCH1:TRIGGER:A:BUS:B1:FLEXRAY:CYCLECOUNT:QUALIFIER	EQUAL
SEARCH:SEARCH1:TRIGGER:A:BUS:B1:FLEXRAY:CYCLECOUNT:VALUE	"XXXXXX"
SEARCH:SEARCH1:TRIGGER:A:BUS:B1:FLEXRAY:DATA:HIVALUE	"XXXXXXXX"
SEARCH:SEARCH1:TRIGGER:A:BUS:B1:FLEXRAY:DATA:OFFSET	-1
SEARCH:SEARCH1:TRIGGER:A:BUS:B1:FLEXRAY:DATA:QUALIFIER	EQUAL
SEARCH:SEARCH1:TRIGGER:A:BUS:B1:FLEXRAY:DATA:SIZE	1
SEARCH:SEARCH1:TRIGGER:A:BUS:B1:FLEXRAY:DATA:VALUE	"XXXXXXXX"
SEARCH:SEARCH1:TRIGGER:A:BUS:B1:FLEXRAY:EOFTYPE	STATIC
SEARCH:SEARCH1:TRIGGER:A:BUS:B1:FLEXRAY:ERRTYPE	CRCHEADER
SEARCH:SEARCH1:TRIGGER:A:BUS:B1:FLEXRAY:FRAMEID:HIVALUE	"XXXXXXXXXX"
SEARCH:SEARCH1:TRIGGER:A:BUS:B1:FLEXRAY:FRAMEID:QUALIFIER	EQUAL
SEARCH:SEARCH1:TRIGGER:A:BUS:B1:FLEXRAY:FRAMEID:VALUE	"XXXXXXXXXX"
SEARCH:SEARCH1:TRIGGER:A:BUS:B1:FLEXRAY:FRAMETYPE	NORMAL

Table C-1: Default Values (cont.)

Item	Description
SEARCH:SEARCH1:TRIGGER:A:BUS:B1:FLEXRAY:HEADER:CRC	"XXXXXXXXXXXX"
SEARCH:SEARCH1:TRIGGER:A:BUS:B1:FLEXRAY:HEADER:CYCLECOUNT	"XXXXXX"
SEARCH:SEARCH1:TRIGGER:A:BUS:B1:FLEXRAY:HEADER:FRAMEID	"XXXXXXXXXXXX"
SEARCH:SEARCH1:TRIGGER:A:BUS:B1:FLEXRAY:HEADER:INDBITS	"XXXXXX"
SEARCH:SEARCH1:TRIGGER:A:BUS:B1:FLEXRAY:HEADER:PAYLENGTH	"XXXXXXXX"
SEARCH:SEARCH1:TRIGGER:A:BUS:B1:I2C:ADDRESS:MODE	ADDR7
SEARCH:SEARCH1:TRIGGER:A:BUS:B1:I2C:ADDRESS:TYPE	USER
SEARCH:SEARCH1:TRIGGER:A:BUS:B1:I2C:ADDRESS:VALUE	"XXXXXXXX"
SEARCH:SEARCH1:TRIGGER:A:BUS:B1:I2C:CONDITION	START
SEARCH:SEARCH1:TRIGGER:A:BUS:B1:I2C:DATA:DIRECTION	NOCARE
SEARCH:SEARCH1:TRIGGER:A:BUS:B1:I2C:DATA:SIZE	1
SEARCH:SEARCH1:TRIGGER:A:BUS:B1:I2C:DATA:VALUE	"XXXXXXXX"
SEARCH:SEARCH1:TRIGGER:A:BUS:B1:LIN:CONDITION	SYNCFIELD
SEARCH:SEARCH1:TRIGGER:A:BUS:B1:LIN:DATA:HIVALUE	"XXXXXXXX"
SEARCH:SEARCH1:TRIGGER:A:BUS:B1:LIN:DATA:QUALIFIER	EQUAL
SEARCH:SEARCH1:TRIGGER:A:BUS:B1:LIN:DATA:SIZE	1
SEARCH:SEARCH1:TRIGGER:A:BUS:B1:LIN:DATA:VALUE	"XXXXXXXX"
SEARCH:SEARCH1:TRIGGER:A:BUS:B1:LIN:ERRTYPE	SYNC
SEARCH:SEARCH1:TRIGGER:A:BUS:B1:LIN:IDENTIFIER:VALUE	"XXXXXX"
SEARCH:SEARCH1:TRIGGER:A:BUS:B1:MIL1553B:COMMAND:ADDRESS:HIVALUE	"XXXXXX"
SEARCH:SEARCH1:TRIGGER:A:BUS:B1:MIL1553B:COMMAND:ADDRESS:QUALIFIER	EQUAL
SEARCH:SEARCH1:TRIGGER:A:BUS:B1:MIL1553B:COMMAND:ADDRESS:VALUE	"XXXXXX"
SEARCH:SEARCH1:TRIGGER:A:BUS:B1:MIL1553B:COMMAND:COUNT	"XXXXXX"
SEARCH:SEARCH1:TRIGGER:A:BUS:B1:MIL1553B:COMMAND:PARITY	X
SEARCH:SEARCH1:TRIGGER:A:BUS:B1:MIL1553B:COMMAND:SUBADDRESS	"XXXXXX"
SEARCH:SEARCH1:TRIGGER:A:BUS:B1:MIL1553B:COMMAND:TRBIT	X
SEARCH:SEARCH1:TRIGGER:A:BUS:B1:MIL1553B:CONDITION	SYNC
SEARCH:SEARCH1:TRIGGER:A:BUS:B1:MIL1553B:DATA:PARITY	X
SEARCH:SEARCH1:TRIGGER:A:BUS:B1:MIL1553B:DATA:VALUE	"XXXXXXXXXXXXXXXXXXXX"
SEARCH:SEARCH1:TRIGGER:A:BUS:B1:MIL1553B:ERRTYPE	PARITY
SEARCH:SEARCH1:TRIGGER:A:BUS:B1:MIL1553B:STATUS:ADDRESS:HIVALUE	"XXXXXX"
SEARCH:SEARCH1:TRIGGER:A:BUS:B1:MIL1553B:STATUS:ADDRESS:QUALIFIER	EQUAL
SEARCH:SEARCH1:TRIGGER:A:BUS:B1:MIL1553B:STATUS:ADDRESS:VALUE	"XXXXXX"
SEARCH:SEARCH1:TRIGGER:A:BUS:B1:MIL1553B:STATUS:BIT:BCR	X
SEARCH:SEARCH1:TRIGGER:A:BUS:B1:MIL1553B:STATUS:BIT:BUSY	X
SEARCH:SEARCH1:TRIGGER:A:BUS:B1:MIL1553B:STATUS:BIT:DBCA	X
SEARCH:SEARCH1:TRIGGER:A:BUS:B1:MIL1553B:STATUS:BIT:INSTR	X

Table C-1: Default Values (cont.)

Item	Description
SEARCH:SEARCH1:TRIGGER:A:BUS:B1:MIL1553B:STATUS:BIT:ME	X
SEARCH:SEARCH1:TRIGGER:A:BUS:B1:MIL1553B:STATUS:BIT:SRQ	X
SEARCH:SEARCH1:TRIGGER:A:BUS:B1:MIL1553B:STATUS:BIT:SBSF	X
SEARCH:SEARCH1:TRIGGER:A:BUS:B1:MIL1553B:STATUS:BIT:TF	X
SEARCH:SEARCH1:TRIGGER:A:BUS:B1:MIL1553B:STATUS:PARITY	X
SEARCH:SEARCH1:TRIGGER:A:BUS:B1:MIL1553B:TIME:LESSLIMIT	4.0000E-6
SEARCH:SEARCH1:TRIGGER:A:BUS:B1:MIL1553B:TIME:MORELIMIT	12.0000E-6
SEARCH:SEARCH1:TRIGGER:A:BUS:B1:MIL1553B:TIME:QUALIFIER	MORETHAN
SEARCH:SEARCH1:TRIGGER:A:BUS:B1:PARALLEL:VALUE	"XXXXXXXXXXXXXXXXXX"
SEARCH:SEARCH1:TRIGGER:A:BUS:B1:RS232C:CONDITION	TXSTART
SEARCH:SEARCH1:TRIGGER:A:BUS:B1:RS232C:RX:DATA:SIZE	1
SEARCH:SEARCH1:TRIGGER:A:BUS:B1:RS232C:RX:DATA:VALUE	"XXXXXXXX"
SEARCH:SEARCH1:TRIGGER:A:BUS:B1:RS232C:TX:DATA:SIZE	1
SEARCH:SEARCH1:TRIGGER:A:BUS:B1:RS232C:TX:DATA:VALUE	"XXXXXXXX"
SEARCH:SEARCH1:TRIGGER:A:BUS:B1:SPI:CONDITION	SS
SEARCH:SEARCH1:TRIGGER:A:BUS:B1:SPI:DATA:MISO:VALUE	"XXXXXXXX"
SEARCH:SEARCH1:TRIGGER:A:BUS:B1:SPI:DATA:MOSI:VALUE	"XXXXXXXX"
SEARCH:SEARCH1:TRIGGER:A:BUS:B1:SPI:DATA:SIZE	1
SEARCH:SEARCH1:TRIGGER:A:BUS:B1:USB:ADDRESS:HIVALUE	"XXXXXXXX"
SEARCH:SEARCH1:TRIGGER:A:BUS:B1:USB:ADDRESS:VALUE	"XXXXXXXX"
SEARCH:SEARCH1:TRIGGER:A:BUS:B1:USB:CONDITION	SYNC
SEARCH:SEARCH1:TRIGGER:A:BUS:B1:USB:DATA:HIVALUE	"XXXXXXXX"
SEARCH:SEARCH1:TRIGGER:A:BUS:B1:USB:DATA:OFFSET	-1
SEARCH:SEARCH1:TRIGGER:A:BUS:B1:USB:DATA:SIZE	1
SEARCH:SEARCH1:TRIGGER:A:BUS:B1:USB:DATA:TYPE	ANY
SEARCH:SEARCH1:TRIGGER:A:BUS:B1:USB:DATA:VALUE	"XXXXXXXX"
SEARCH:SEARCH1:TRIGGER:A:BUS:B1:USB:ENDPOINT:VALUE	"XXXX"
SEARCH:SEARCH1:TRIGGER:A:BUS:B1:USB:ERRTYPE	PID
SEARCH:SEARCH1:TRIGGER:A:BUS:B1:USB:HANDSHAKETYPE	ANY
SEARCH:SEARCH1:TRIGGER:A:BUS:B1:USB:QUALIFIER	EQUAL
SEARCH:SEARCH1:TRIGGER:A:BUS:B1:USB:SOFFRAMENUMBER	"XXXXXXXXXXXX"
SEARCH:SEARCH1:TRIGGER:A:BUS:B1:USB:SPECIALTYPE	ANY
SEARCH:SEARCH1:TRIGGER:A:BUS:B1:USB:SPLIT:ET:VALUE	NOCARE
SEARCH:SEARCH1:TRIGGER:A:BUS:B1:USB:SPLIT:HUB:VALUE	"XXXXXXXX"
SEARCH:SEARCH1:TRIGGER:A:BUS:B1:USB:SPLIT:PORT:VALUE	"XXXXXXXX"
SEARCH:SEARCH1:TRIGGER:A:BUS:B1:USB:SPLIT:SC:VALUE	NOCARE
SEARCH:SEARCH1:TRIGGER:A:BUS:B1:USB:SPLIT:SE:VALUE	NOCARE

Table C-1: Default Values (cont.)

Item	Description
SEARCH:SEARCH1:TRIGGER:A:BUS:B1:USB:TOKENTYPE	ANY
SEARCH:SEARCH1:TRIGGER:A:BUS:B2:AUDIO:CONDITION	SOF
SEARCH:SEARCH1:TRIGGER:A:BUS:B2:AUDIO:DATA:HIVALUE	"XXXXXXXXXXXXXXXXXXXXXXXXXXXX"
SEARCH:SEARCH1:TRIGGER:A:BUS:B2:AUDIO:DATA:OFFSET	0
SEARCH:SEARCH1:TRIGGER:A:BUS:B2:AUDIO:DATA:QUALIFIER	EQUAL
SEARCH:SEARCH1:TRIGGER:A:BUS:B2:AUDIO:DATA:VALUE	"XXXXXXXXXXXXXXXXXXXXXXXXXXXX"
SEARCH:SEARCH1:TRIGGER:A:BUS:B2:AUDIO:DATA:WORD	EITHER
SEARCH:SEARCH1:TRIGGER:A:BUS:B2:CAN:CONDITION	SOF
SEARCH:SEARCH1:TRIGGER:A:BUS:B2:CAN:DATA:DIRECTION	NOCARE
SEARCH:SEARCH1:TRIGGER:A:BUS:B2:CAN:DATA:QUALIFIER	EQUAL
SEARCH:SEARCH1:TRIGGER:A:BUS:B2:CAN:DATA:SIZE	1
SEARCH:SEARCH1:TRIGGER:A:BUS:B2:CAN:DATA:VALUE	"XXXXXXX"
SEARCH:SEARCH1:TRIGGER:A:BUS:B2:CAN:FRAMETYPE	DATA
SEARCH:SEARCH1:TRIGGER:A:BUS:B2:CAN:IDENTIFIER:MODE	STANDARD
SEARCH:SEARCH1:TRIGGER:A:BUS:B2:CAN:IDENTIFIER:VALUE	"XXXXXXXXXX"
SEARCH:SEARCH1:TRIGGER:A:BUS:B2:ETHERNET:CONDITION	SFD
SEARCH:SEARCH1:TRIGGER:A:BUS:B2:ETHERNET:DATA:HIVALUE	"XXXXXXX"
SEARCH:SEARCH1:TRIGGER:A:BUS:B2:ETHERNET:DATA:OFFSET	-1
SEARCH:SEARCH1:TRIGGER:A:BUS:B2:ETHERNET:DATA:SIZE	1
SEARCH:SEARCH1:TRIGGER:A:BUS:B2:ETHERNET:DATA:VALUE	"XXXXXXX"
SEARCH:SEARCH1:TRIGGER:A:BUS:B2:ETHERNET:FRAMETYPE	BASIC
SEARCH:SEARCH1:TRIGGER:A:BUS:B2:ETHERNET:IPHEADER:DESTINATIONADDRESS:VALUE	"XXXXXXXXXXXXXXXXXXXXXXXXXXXX"
SEARCH:SEARCH1:TRIGGER:A:BUS:B2:ETHERNET:IPHEADER:PROTOCOL:VALUE	"XXXXXXX"
SEARCH:SEARCH1:TRIGGER:A:BUS:B2:ETHERNET:IPHEADER:SOURCEADDRESS:VALUE	"XXXXXXXXXXXXXXXXXXXXXXXXXXXX"
SEARCH:SEARCH1:TRIGGER:A:BUS:B2:ETHERNET:MAC:ADDRESS:DESTINATIONADDRESS:VALUE	"XXXXXXXXXXXXXXXXXXXXXXXXXXXX"
SEARCH:SEARCH1:TRIGGER:A:BUS:B2:ETHERNET:MAC:ADDRESS:SOURCEADDRESS:VALUE	"XXXXXXXXXXXXXXXXXXXXXXXXXXXX"
SEARCH:SEARCH1:TRIGGER:A:BUS:B2:ETHERNET:MAC:LENGTH:HIVALUE	"XXXXXXXXXXXXXXXXXX"
SEARCH:SEARCH1:TRIGGER:A:BUS:B2:ETHERNET:MAC:LENGTH:VALUE	"XXXXXXXXXXXXXXXXXX"
SEARCH:SEARCH1:TRIGGER:A:BUS:B2:ETHERNET:QTAG:VALUE	"XXXXXXXXXXXXXXXXXXXXXXXXXXXX"
SEARCH:SEARCH1:TRIGGER:A:BUS:B2:ETHERNET:QUALIFIER	EQUAL
SEARCH:SEARCH1:TRIGGER:A:BUS:B2:ETHERNET:TCPHEADER:ACKNUM:VALUE	"XXXXXXXXXXXXXXXXXXXXXXXXXXXX"
SEARCH:SEARCH1:TRIGGER:A:BUS:B2:ETHERNET:TCPHEADER:DESTINATIONPORT:VALUE	"XXXXXXX"
SEARCH:SEARCH1:TRIGGER:A:BUS:B2:ETHERNET:TCPHEADER:SEQNUM:VALUE	"XXXXXXXXXXXXXXXXXXXXXXXXXXXX"
SEARCH:SEARCH1:TRIGGER:A:BUS:B2:ETHERNET:TCPHEADER:SOURCEPORT:VALUE	"XXXXXXX"
SEARCH:SEARCH1:TRIGGER:A:BUS:B2:FLEXRAY:CONDITION	SOF
SEARCH:SEARCH1:TRIGGER:A:BUS:B2:FLEXRAY:CYCLECOUNT:HIVALUE	"XXXXXX"
SEARCH:SEARCH1:TRIGGER:A:BUS:B2:FLEXRAY:CYCLECOUNT:QUALIFIER	EQUAL

Table C-1: Default Values (cont.)

Item	Description
SEARCH:SEARCH1:TRIGGER:A:BUS:B2:FLEXRAY:CYCLECOUNT:VALUE	"XXXXXX"
SEARCH:SEARCH1:TRIGGER:A:BUS:B2:FLEXRAY:DATA:HIVALUE	"XXXXXXXX"
SEARCH:SEARCH1:TRIGGER:A:BUS:B2:FLEXRAY:DATA:OFFSET	-1
SEARCH:SEARCH1:TRIGGER:A:BUS:B2:FLEXRAY:DATA:QUALIFIER	EQUAL
SEARCH:SEARCH1:TRIGGER:A:BUS:B2:FLEXRAY:DATA:SIZE	1
SEARCH:SEARCH1:TRIGGER:A:BUS:B2:FLEXRAY:DATA:VALUE	"XXXXXXXX"
SEARCH:SEARCH1:TRIGGER:A:BUS:B2:FLEXRAY:EOFTYPE	STATIC
SEARCH:SEARCH1:TRIGGER:A:BUS:B2:FLEXRAY:ERRTYPE	CRCHEADER
SEARCH:SEARCH1:TRIGGER:A:BUS:B2:FLEXRAY:FRAMEID:HIVALUE	"XXXXXXXXXXXX"
SEARCH:SEARCH1:TRIGGER:A:BUS:B2:FLEXRAY:FRAMEID:QUALIFIER	EQUAL
SEARCH:SEARCH1:TRIGGER:A:BUS:B2:FLEXRAY:FRAMEID:VALUE	"XXXXXXXXXXXX"
SEARCH:SEARCH1:TRIGGER:A:BUS:B2:FLEXRAY:FRAMETYPE	NORMAL
SEARCH:SEARCH1:TRIGGER:A:BUS:B2:FLEXRAY:HEADER:CRC	"XXXXXXXXXXXX"
SEARCH:SEARCH1:TRIGGER:A:BUS:B2:FLEXRAY:HEADER:CYCLECOUNT	"XXXXXX"
SEARCH:SEARCH1:TRIGGER:A:BUS:B2:FLEXRAY:HEADER:FRAMEID	"XXXXXXXXXXXX"
SEARCH:SEARCH1:TRIGGER:A:BUS:B2:FLEXRAY:HEADER:INDBITS	"XXXXX"
SEARCH:SEARCH1:TRIGGER:A:BUS:B2:FLEXRAY:HEADER:PAYLENGTH	"XXXXXX"
SEARCH:SEARCH1:TRIGGER:A:BUS:B2:I2C:ADDRESS:MODE	ADDR7
SEARCH:SEARCH1:TRIGGER:A:BUS:B2:I2C:ADDRESS:TYPE	USER
SEARCH:SEARCH1:TRIGGER:A:BUS:B2:I2C:ADDRESS:VALUE	"XXXXXX"
SEARCH:SEARCH1:TRIGGER:A:BUS:B2:I2C:CONDITION	START
SEARCH:SEARCH1:TRIGGER:A:BUS:B2:I2C:DATA:DIRECTION	NO CARE
SEARCH:SEARCH1:TRIGGER:A:BUS:B2:I2C:DATA:SIZE	1
SEARCH:SEARCH1:TRIGGER:A:BUS:B2:I2C:DATA:VALUE	"XXXXXXXX"
SEARCH:SEARCH1:TRIGGER:A:BUS:B2:LIN:CONDITION	SYNCFIELD
SEARCH:SEARCH1:TRIGGER:A:BUS:B2:LIN:DATA:HIVALUE	"XXXXXXXX"
SEARCH:SEARCH1:TRIGGER:A:BUS:B2:LIN:DATA:QUALIFIER	EQUAL
SEARCH:SEARCH1:TRIGGER:A:BUS:B2:LIN:DATA:SIZE	1
SEARCH:SEARCH1:TRIGGER:A:BUS:B2:LIN:DATA:VALUE	"XXXXXXXX"
SEARCH:SEARCH1:TRIGGER:A:BUS:B2:LIN:ERRTYPE	SYNC
SEARCH:SEARCH1:TRIGGER:A:BUS:B2:LIN:IDENTIFIER:VALUE	"XXXXXX"
SEARCH:SEARCH1:TRIGGER:A:BUS:B2:MIL1553B:COMMAND:ADDRESS:HIVALUE	"XXXXX"
SEARCH:SEARCH1:TRIGGER:A:BUS:B2:MIL1553B:COMMAND:ADDRESS:QUALIFIER	EQUAL
SEARCH:SEARCH1:TRIGGER:A:BUS:B2:MIL1553B:COMMAND:ADDRESS:VALUE	"XXXXXX"
SEARCH:SEARCH1:TRIGGER:A:BUS:B2:MIL1553B:COMMAND:COUNT	"XXXXXX"
SEARCH:SEARCH1:TRIGGER:A:BUS:B2:MIL1553B:COMMAND:PARITY	X
SEARCH:SEARCH1:TRIGGER:A:BUS:B2:MIL1553B:COMMAND:SUBADDRESS	"XXXXX"

Table C-1: Default Values (cont.)

Item	Description
SEARCH:SEARCH1:TRIGGER:A:BUS:B2:MIL1553B:COMMAND:TRBIT	X
SEARCH:SEARCH1:TRIGGER:A:BUS:B2:MIL1553B:CONDITION	SYNC
SEARCH:SEARCH1:TRIGGER:A:BUS:B2:MIL1553B:DATA:PARITY	X
SEARCH:SEARCH1:TRIGGER:A:BUS:B2:MIL1553B:DATA:VALUE	"XXXXXXXXXXXXXXXXXX"
SEARCH:SEARCH1:TRIGGER:A:BUS:B2:MIL1553B:ERRTYPE	PARITY
SEARCH:SEARCH1:TRIGGER:A:BUS:B2:MIL1553B:STATUS:ADDRESS:HIVALUE	"XXXXX"
SEARCH:SEARCH1:TRIGGER:A:BUS:B2:MIL1553B:STATUS:ADDRESS:QUALIFIER	QUAL
SEARCH:SEARCH1:TRIGGER:A:BUS:B2:MIL1553B:STATUS:ADDRESS:VALUE	"XXXXX"
SEARCH:SEARCH1:TRIGGER:A:BUS:B2:MIL1553B:STATUS:BIT:BCR	X
SEARCH:SEARCH1:TRIGGER:A:BUS:B2:MIL1553B:STATUS:BIT:BUSY	X
SEARCH:SEARCH1:TRIGGER:A:BUS:B2:MIL1553B:STATUS:BIT:DBCA	X
SEARCH:SEARCH1:TRIGGER:A:BUS:B2:MIL1553B:STATUS:BIT:INSTR	X
SEARCH:SEARCH1:TRIGGER:A:BUS:B2:MIL1553B:STATUS:BIT:ME	X
SEARCH:SEARCH1:TRIGGER:A:BUS:B2:MIL1553B:STATUS:BIT:SRQ	X
SEARCH:SEARCH1:TRIGGER:A:BUS:B2:MIL1553B:STATUS:BIT:SBSF	X
SEARCH:SEARCH1:TRIGGER:A:BUS:B2:MIL1553B:STATUS:BIT:TF	X
SEARCH:SEARCH1:TRIGGER:A:BUS:B2:MIL1553B:STATUS:PARITY	X
SEARCH:SEARCH1:TRIGGER:A:BUS:B2:MIL1553B:TIME:LESSLIMIT	4.0000E-6
SEARCH:SEARCH1:TRIGGER:A:BUS:B2:MIL1553B:TIME:MORELIMIT	12.0000E-6
SEARCH:SEARCH1:TRIGGER:A:BUS:B2:MIL1553B:TIME:QUALIFIER	MORETHAN
SEARCH:SEARCH1:TRIGGER:A:BUS:B2:PARALLEL:VALUE	"XXXXXXXXXXXXXXXXXX"
SEARCH:SEARCH1:TRIGGER:A:BUS:B2:RS232C:CONDITION	TXSTART
SEARCH:SEARCH1:TRIGGER:A:BUS:B2:RS232C:RX:DATA:SIZE	1
SEARCH:SEARCH1:TRIGGER:A:BUS:B2:RS232C:RX:DATA:VALUE	"XXXXXXXX"
SEARCH:SEARCH1:TRIGGER:A:BUS:B2:RS232C:TX:DATA:SIZE	1
SEARCH:SEARCH1:TRIGGER:A:BUS:B2:RS232C:TX:DATA:VALUE	"XXXXXXXX"
SEARCH:SEARCH1:TRIGGER:A:BUS:B2:SPI:CONDITION	SS
SEARCH:SEARCH1:TRIGGER:A:BUS:B2:SPI:DATA:MISO:VALUE	"XXXXXXXX"
SEARCH:SEARCH1:TRIGGER:A:BUS:B2:SPI:DATA:MOSI:VALUE	"XXXXXXXX"
SEARCH:SEARCH1:TRIGGER:A:BUS:B2:SPI:DATA:SIZE	1
SEARCH:SEARCH1:TRIGGER:A:BUS:B2:USB:ADDRESS:HIVALUE	"XXXXXXXX"
SEARCH:SEARCH1:TRIGGER:A:BUS:B2:USB:ADDRESS:VALUE	"XXXXXXXX"
SEARCH:SEARCH1:TRIGGER:A:BUS:B2:USB:CONDITION	SYNC
SEARCH:SEARCH1:TRIGGER:A:BUS:B2:USB:DATA:HIVALUE	"XXXXXXXX"
SEARCH:SEARCH1:TRIGGER:A:BUS:B2:USB:DATA:OFFSET	-1
SEARCH:SEARCH1:TRIGGER:A:BUS:B2:USB:DATA:SIZE	1
SEARCH:SEARCH1:TRIGGER:A:BUS:B2:USB:DATA:TYPE	ANY

Table C-1: Default Values (cont.)

Item	Description
SEARCH:SEARCH1:TRIGGER:A:BUS:B2:USB:DATA:VALUE	"XXXXXXXX"
SEARCH:SEARCH1:TRIGGER:A:BUS:B2:USB:ENDPOINT:VALUE	"XXXX"
SEARCH:SEARCH1:TRIGGER:A:BUS:B2:USB:ERRTYPE	PID
SEARCH:SEARCH1:TRIGGER:A:BUS:B2:USB:HANDSHAKETYPE	ANY
SEARCH:SEARCH1:TRIGGER:A:BUS:B2:USB:QUALIFIER	EQUAL
SEARCH:SEARCH1:TRIGGER:A:BUS:B2:USB:SOFFRAMENUMBER	"XXXXXXXXXXXX"
SEARCH:SEARCH1:TRIGGER:A:BUS:B2:USB:SPECIALTYPE	ANY
SEARCH:SEARCH1:TRIGGER:A:BUS:B2:USB:SPLIT:ET:VALUE	NOCARE
SEARCH:SEARCH1:TRIGGER:A:BUS:B2:USB:SPLIT:HUB:VALUE	"XXXXXXXX"
SEARCH:SEARCH1:TRIGGER:A:BUS:B2:USB:SPLIT:PORT:VALUE	"XXXXXXXX"
SEARCH:SEARCH1:TRIGGER:A:BUS:B2:USB:SPLIT:SC:VALUE	NOCARE
SEARCH:SEARCH1:TRIGGER:A:BUS:B2:USB:SPLIT:SE:VALUE	NOCARE
SEARCH:SEARCH1:TRIGGER:A:BUS:B2:USB:TOKENTYPE	ANY
SEARCH:SEARCH1:TRIGGER:A:BUS:B3:AUDIO:CONDITION	SOF
SEARCH:SEARCH1:TRIGGER:A:BUS:B3:AUDIO:DATA:HIVALUE	"XXXXXXXXXXXXXXXXXXXXXXXXXXXX"
SEARCH:SEARCH1:TRIGGER:A:BUS:B3:AUDIO:DATA:OFFSET	0
SEARCH:SEARCH1:TRIGGER:A:BUS:B3:AUDIO:DATA:QUALIFIER	EQUAL
SEARCH:SEARCH1:TRIGGER:A:BUS:B3:AUDIO:DATA:VALUE	"XXXXXXXXXXXXXXXXXXXXXXXXXXXX"
SEARCH:SEARCH1:TRIGGER:A:BUS:B3:AUDIO:DATA:WORD	EITHER
SEARCH:SEARCH1:TRIGGER:A:BUS:B3:CAN:CONDITION	SOF
SEARCH:SEARCH1:TRIGGER:A:BUS:B3:CAN:DATA:DIRECTION	NOCARE
SEARCH:SEARCH1:TRIGGER:A:BUS:B3:CAN:DATA:QUALIFIER	EQUAL
SEARCH:SEARCH1:TRIGGER:A:BUS:B3:CAN:DATA:SIZE	1
SEARCH:SEARCH1:TRIGGER:A:BUS:B3:CAN:DATA:VALUE	"XXXXXXXX"
SEARCH:SEARCH1:TRIGGER:A:BUS:B3:CAN:FRAMETYPE	DATA
SEARCH:SEARCH1:TRIGGER:A:BUS:B3:CAN:IDENTIFIER:MODE	STANDARD
SEARCH:SEARCH1:TRIGGER:A:BUS:B3:CAN:IDENTIFIER:VALUE	"XXXXXXXXXXXX"
SEARCH:SEARCH1:TRIGGER:A:BUS:B3:ETHERNET:CONDITION	SFD
SEARCH:SEARCH1:TRIGGER:A:BUS:B3:ETHERNET:DATA:HIVALUE	"XXXXXXXX"
SEARCH:SEARCH1:TRIGGER:A:BUS:B3:ETHERNET:DATA:OFFSET	-1
SEARCH:SEARCH1:TRIGGER:A:BUS:B3:ETHERNET:DATA:SIZE	1
SEARCH:SEARCH1:TRIGGER:A:BUS:B3:ETHERNET:DATA:VALUE	"XXXXXXXX"
SEARCH:SEARCH1:TRIGGER:A:BUS:B3:ETHERNET:FRAMETYPE	BASIC
SEARCH:SEARCH1:TRIGGER:A:BUS:B3:ETHERNET:IPHEADER:DESTINATIONADDRESS	"XXXXXXXXXXXXXXXXXXXXXXXXXXXX"
SEARCH:SEARCH1:TRIGGER:A:BUS:B3:ETHERNET:IPHEADER:PROTOCOL:VALUE	"XXXXXXXX"
SEARCH:SEARCH1:TRIGGER:A:BUS:B3:ETHERNET:IPHEADER:SOURCEADDRESS	"XXXXXXXXXXXXXXXXXXXXXXXXXXXX"
SEARCH:SEARCH1:TRIGGER:A:BUS:B3:ETHERNET:MAC:ADDRESS:DESTINATION	"XXXXXXXXXXXXXXXXXXXXXXXXXXXX"

Table C-1: Default Values (cont.)

Item	Description
SEARCH:SEARCH1:TRIGGER:A:BUS:B3:LIN:DATA:HIVALUE	"XXXXXXXX"
SEARCH:SEARCH1:TRIGGER:A:BUS:B3:LIN:DATA:QUALIFIER	EQUAL
SEARCH:SEARCH1:TRIGGER:A:BUS:B3:LIN:DATA:SIZE	1
SEARCH:SEARCH1:TRIGGER:A:BUS:B3:LIN:DATA:VALUE	"XXXXXXXX"
SEARCH:SEARCH1:TRIGGER:A:BUS:B3:LIN:ERRTYPE	SYNC
SEARCH:SEARCH1:TRIGGER:A:BUS:B3:LIN:IDENTIFIER:VALUE	"XXXXXX"
SEARCH:SEARCH1:TRIGGER:A:BUS:B3:MIL1553B:COMMAND:ADDRESS:HIVALUE	"XXXXX"
SEARCH:SEARCH1:TRIGGER:A:BUS:B3:MIL1553B:COMMAND:ADDRESS:QUALIFIER	EQUAL
SEARCH:SEARCH1:TRIGGER:A:BUS:B3:MIL1553B:COMMAND:ADDRESS:VALUE	"XXXXX"
SEARCH:SEARCH1:TRIGGER:A:BUS:B3:MIL1553B:COMMAND:COUNT	"XXXXX"
SEARCH:SEARCH1:TRIGGER:A:BUS:B3:MIL1553B:COMMAND:PARITY	X
SEARCH:SEARCH1:TRIGGER:A:BUS:B3:MIL1553B:COMMAND:SUBADDRESS	"XXXXX"
SEARCH:SEARCH1:TRIGGER:A:BUS:B3:MIL1553B:COMMAND:TRBIT	X
SEARCH:SEARCH1:TRIGGER:A:BUS:B3:MIL1553B:CONDITION	SYNC
SEARCH:SEARCH1:TRIGGER:A:BUS:B3:MIL1553B:DATA:PARITY	X
SEARCH:SEARCH1:TRIGGER:A:BUS:B3:MIL1553B:DATA:VALUE	"XXXXXXXXXXXXXXXXXXXX"
SEARCH:SEARCH1:TRIGGER:A:BUS:B3:MIL1553B:ERRTYPE	PARITY
SEARCH:SEARCH1:TRIGGER:A:BUS:B3:MIL1553B:STATUS:ADDRESS:HIVALUE	"XXXXX"
SEARCH:SEARCH1:TRIGGER:A:BUS:B3:MIL1553B:STATUS:ADDRESS:QUALIFIER	EQUAL
SEARCH:SEARCH1:TRIGGER:A:BUS:B3:MIL1553B:STATUS:ADDRESS:VALUE	"XXXXX"
SEARCH:SEARCH1:TRIGGER:A:BUS:B3:MIL1553B:STATUS:BIT:BCR	X
SEARCH:SEARCH1:TRIGGER:A:BUS:B3:MIL1553B:STATUS:BIT:BUSY	X
SEARCH:SEARCH1:TRIGGER:A:BUS:B3:MIL1553B:STATUS:BIT:DBCA	X
SEARCH:SEARCH1:TRIGGER:A:BUS:B3:MIL1553B:STATUS:BIT:INSTR	X
SEARCH:SEARCH1:TRIGGER:A:BUS:B3:MIL1553B:STATUS:BIT:ME	X
SEARCH:SEARCH1:TRIGGER:A:BUS:B3:MIL1553B:STATUS:BIT:SRQ	X
SEARCH:SEARCH1:TRIGGER:A:BUS:B3:MIL1553B:STATUS:BIT:SBSF	X
SEARCH:SEARCH1:TRIGGER:A:BUS:B3:MIL1553B:STATUS:BIT:TF	X
SEARCH:SEARCH1:TRIGGER:A:BUS:B3:MIL1553B:STATUS:PARITY	X
SEARCH:SEARCH1:TRIGGER:A:BUS:B3:MIL1553B:TIME:LESSLIMIT	4.0000E-6
SEARCH:SEARCH1:TRIGGER:A:BUS:B3:MIL1553B:TIME:MORELIMIT	12.0000E-6
SEARCH:SEARCH1:TRIGGER:A:BUS:B3:MIL1553B:TIME:QUALIFIER	MORETHAN
SEARCH:SEARCH1:TRIGGER:A:BUS:B3:PARALLEL:VALUE	"XXXXXXXXXXXXXXXXXXXX"
SEARCH:SEARCH1:TRIGGER:A:BUS:B3:RS232C:CONDITION	TXSTART
SEARCH:SEARCH1:TRIGGER:A:BUS:B3:RS232C:RX:DATA:SIZE	1
SEARCH:SEARCH1:TRIGGER:A:BUS:B3:RS232C:RX:DATA:VALUE	"XXXXXXXX"
SEARCH:SEARCH1:TRIGGER:A:BUS:B3:RS232C:TX:DATA:SIZE	1

Table C-1: Default Values (cont.)

Item	Description
SEARCH:SEARCH1:TRIGGER:A:BUS:B3:RS232C:TX:DATA:VALUE	"XXXXXXXX"
SEARCH:SEARCH1:TRIGGER:A:BUS:B3:SPI:CONDITION	SS
SEARCH:SEARCH1:TRIGGER:A:BUS:B3:SPI:DATA:MISO:VALUE	"XXXXXXXX"
SEARCH:SEARCH1:TRIGGER:A:BUS:B3:SPI:DATA:MOSI:VALUE	"XXXXXXXX"
SEARCH:SEARCH1:TRIGGER:A:BUS:B3:SPI:DATA:SIZE	1
SEARCH:SEARCH1:TRIGGER:A:BUS:B3:USB:ADDRESS:HIVALUE	"XXXXXXXX"
SEARCH:SEARCH1:TRIGGER:A:BUS:B3:USB:ADDRESS:VALUE	"XXXXXXXX"
SEARCH:SEARCH1:TRIGGER:A:BUS:B3:USB:CONDITION	SYNC
SEARCH:SEARCH1:TRIGGER:A:BUS:B3:USB:DATA:HIVALUE	"XXXXXXXX"
SEARCH:SEARCH1:TRIGGER:A:BUS:B3:USB:DATA:OFFSET	-1
SEARCH:SEARCH1:TRIGGER:A:BUS:B3:USB:DATA:SIZE	1
SEARCH:SEARCH1:TRIGGER:A:BUS:B3:USB:DATA:TYPE	ANY
SEARCH:SEARCH1:TRIGGER:A:BUS:B3:USB:DATA:VALUE	"XXXXXXXX"
SEARCH:SEARCH1:TRIGGER:A:BUS:B3:USB:ENDPOINT:VALUE	"XXXX"
SEARCH:SEARCH1:TRIGGER:A:BUS:B3:USB:ERRTYPE	PID
SEARCH:SEARCH1:TRIGGER:A:BUS:B3:USB:HANDSHAKETYPE	ANY
SEARCH:SEARCH1:TRIGGER:A:BUS:B3:USB:QUALIFIER	EQUAL
SEARCH:SEARCH1:TRIGGER:A:BUS:B3:USB:SOFFRAMENUMBER	"XXXXXXXXXXXX"
SEARCH:SEARCH1:TRIGGER:A:BUS:B3:USB:SPECIALTYPE	ANY
SEARCH:SEARCH1:TRIGGER:A:BUS:B3:USB:SPLIT:ET:VALUE	NOCARE
SEARCH:SEARCH1:TRIGGER:A:BUS:B3:USB:SPLIT:HUB:VALUE	"XXXXXXXX"
SEARCH:SEARCH1:TRIGGER:A:BUS:B3:USB:SPLIT:PORT:VALUE	"XXXXXXXX"
SEARCH:SEARCH1:TRIGGER:A:BUS:B3:USB:SPLIT:SC:VALUE	NOCARE
SEARCH:SEARCH1:TRIGGER:A:BUS:B3:USB:SPLIT:SE:VALUE	NOCARE
SEARCH:SEARCH1:TRIGGER:A:BUS:B3:USB:TOKENTYPE	ANY
SEARCH:SEARCH1:TRIGGER:A:BUS:B4:AUDIO:CONDITION	SOF
SEARCH:SEARCH1:TRIGGER:A:BUS:B4:AUDIO:DATA:HIVALUE	"XXXXXXXXXXXXXXXXXXXXXXXXXXXX"
SEARCH:SEARCH1:TRIGGER:A:BUS:B4:AUDIO:DATA:OFFSET	0
SEARCH:SEARCH1:TRIGGER:A:BUS:B4:AUDIO:DATA:QUALIFIER	EQUAL
SEARCH:SEARCH1:TRIGGER:A:BUS:B4:AUDIO:DATA:VALUE	"XXXXXXXXXXXXXXXXXXXXXXXXXXXX"
SEARCH:SEARCH1:TRIGGER:A:BUS:B4:AUDIO:DATA:WORD	EITHER
SEARCH:SEARCH1:TRIGGER:A:BUS:B4:CAN:CONDITION	SOF
SEARCH:SEARCH1:TRIGGER:A:BUS:B4:CAN:DATA:DIRECTION	NOCARE
SEARCH:SEARCH1:TRIGGER:A:BUS:B4:CAN:DATA:QUALIFIER	EQUAL
SEARCH:SEARCH1:TRIGGER:A:BUS:B4:CAN:DATA:SIZE	1
SEARCH:SEARCH1:TRIGGER:A:BUS:B4:CAN:DATA:VALUE	"XXXXXXXX"
SEARCH:SEARCH1:TRIGGER:A:BUS:B4:CAN:FRAMETYPE	DATA

Table C-1: Default Values (cont.)

Item	Description
SEARCH:SEARCH1:TRIGGER:A:BUS:B4:CAN:IDENTIFIER:MODE	STANDARD
SEARCH:SEARCH1:TRIGGER:A:BUS:B4:CAN:IDENTIFIER:VALUE	"XXXXXXXXXX"
SEARCH:SEARCH1:TRIGGER:A:BUS:B4:ETHERNET:CONDITION	SFD
SEARCH:SEARCH1:TRIGGER:A:BUS:B4:ETHERNET:DATA:HIVALUE	"XXXXXXXX"
SEARCH:SEARCH1:TRIGGER:A:BUS:B4:ETHERNET:DATA:OFFSET	-1
SEARCH:SEARCH1:TRIGGER:A:BUS:B4:ETHERNET:DATA:SIZE	1
SEARCH:SEARCH1:TRIGGER:A:BUS:B4:ETHERNET:DATA:VALUE	"XXXXXXXX"
SEARCH:SEARCH1:TRIGGER:A:BUS:B4:ETHERNET:FRAMETYPE	BASIC
SEARCH:SEARCH1:TRIGGER:A:BUS:B4:ETHERNET:IPHEADER:DESTINATIONADDRESS	"XXXXXXXXXXXXXXXXXXXXXXXXXXXXXXXXXXXX"
SEARCH:SEARCH1:TRIGGER:A:BUS:B4:ETHERNET:IPHEADER:PROTOCOL:VALUE	"XXXXXXXX"
SEARCH:SEARCH1:TRIGGER:A:BUS:B4:ETHERNET:IPHEADER:SOURCEADDRESS	"XXXXXXXXXXXXXXXXXXXXXXXXXXXXXXXXXXXX"
SEARCH:SEARCH1:TRIGGER:A:BUS:B4:ETHERNET:MAC:ADDRESS:DESTINATION	"XXXXXXXXXXXXXXXXXXXXXXXXXXXXXXXXXXXX"
SEARCH:SEARCH1:TRIGGER:A:BUS:B4:ETHERNET:MAC:ADDRESS:SOURCE	"XXXXXXXXXXXXXXXXXXXXXXXXXXXXXXXXXXXX"
SEARCH:SEARCH1:TRIGGER:A:BUS:B4:ETHERNET:MAC:LENGTH:HIVALUE	"XXXXXXXXXXXXXXXX"
SEARCH:SEARCH1:TRIGGER:A:BUS:B4:ETHERNET:MAC:LENGTH:VALUE	"XXXXXXXXXXXXXXXX"
SEARCH:SEARCH1:TRIGGER:A:BUS:B4:ETHERNET:QTAG:VALUE	"XXXXXXXXXXXXXXXXXXXXXXXXXXXXXXXXXXXX"
SEARCH:SEARCH1:TRIGGER:A:BUS:B4:ETHERNET:QUALIFIER	EQUAL
SEARCH:SEARCH1:TRIGGER:A:BUS:B4:ETHERNET:TCPHEADER:ACKNUM:VALUE	"XXXXXXXXXXXXXXXXXXXXXXXXXXXXXXXXXXXX"
SEARCH:SEARCH1:TRIGGER:A:BUS:B4:ETHERNET:TCPHEADER:DESTINATIONPORT:VALUE	"XXXXXXXXXX"
SEARCH:SEARCH1:TRIGGER:A:BUS:B4:ETHERNET:TCPHEADER:SEQNUM:VALUE	"XXXXXXXXXXXXXXXXXXXXXXXXXXXXXXXXXXXX"
SEARCH:SEARCH1:TRIGGER:A:BUS:B4:ETHERNET:TCPHEADER:SOURCEPORT:VALUE	"XXXXXXXXXX"
SEARCH:SEARCH1:TRIGGER:A:BUS:B4:FLEXRAY:CONDITION	SOF
SEARCH:SEARCH1:TRIGGER:A:BUS:B4:FLEXRAY:CYCLECOUNT:HIVALUE	"XXXXXX"
SEARCH:SEARCH1:TRIGGER:A:BUS:B4:FLEXRAY:CYCLECOUNT:QUALIFIER	EQUAL
SEARCH:SEARCH1:TRIGGER:A:BUS:B4:FLEXRAY:CYCLECOUNT:VALUE	"XXXXXX"
SEARCH:SEARCH1:TRIGGER:A:BUS:B4:FLEXRAY:DATA:HIVALUE	"XXXXXXXX"
SEARCH:SEARCH1:TRIGGER:A:BUS:B4:FLEXRAY:DATA:OFFSET	-1
SEARCH:SEARCH1:TRIGGER:A:BUS:B4:FLEXRAY:DATA:QUALIFIER	EQUAL
SEARCH:SEARCH1:TRIGGER:A:BUS:B4:FLEXRAY:DATA:SIZE	1
SEARCH:SEARCH1:TRIGGER:A:BUS:B4:FLEXRAY:DATA:VALUE	"XXXXXXXX"
SEARCH:SEARCH1:TRIGGER:A:BUS:B4:FLEXRAY:EOFTYPE	STATIC
SEARCH:SEARCH1:TRIGGER:A:BUS:B4:FLEXRAY:ERRTYPE	CRCHEADER
SEARCH:SEARCH1:TRIGGER:A:BUS:B4:FLEXRAY:FRAMEID:HIVALUE	"XXXXXXXXXX"
SEARCH:SEARCH1:TRIGGER:A:BUS:B4:FLEXRAY:FRAMEID:QUALIFIER	EQUAL
SEARCH:SEARCH1:TRIGGER:A:BUS:B4:FLEXRAY:FRAMEID:VALUE	"XXXXXXXXXX"
SEARCH:SEARCH1:TRIGGER:A:BUS:B4:FLEXRAY:FRAMETYPE	NORMAL
SEARCH:SEARCH1:TRIGGER:A:BUS:B4:FLEXRAY:HEADER:CRC	"XXXXXXXXXX"

Table C-1: Default Values (cont.)

Item	Description
SEARCH:SEARCH1:TRIGGER:A:BUS:B4:FLEXRAY:HEADER:CYCLECOUNT	"XXXXXX"
SEARCH:SEARCH1:TRIGGER:A:BUS:B4:FLEXRAY:HEADER:FRAMEID	"XXXXXXXXXXXX"
SEARCH:SEARCH1:TRIGGER:A:BUS:B4:FLEXRAY:HEADER:INDBITS	"XXXXX"
SEARCH:SEARCH1:TRIGGER:A:BUS:B4:FLEXRAY:HEADER:PAYLENGTH	"XXXXXXXX"
SEARCH:SEARCH1:TRIGGER:A:BUS:B4:I2C:ADDRESS:MODE	ADDR7
SEARCH:SEARCH1:TRIGGER:A:BUS:B4:I2C:ADDRESS:TYPE	USER
SEARCH:SEARCH1:TRIGGER:A:BUS:B4:I2C:ADDRESS:VALUE	"XXXXXXXX"
SEARCH:SEARCH1:TRIGGER:A:BUS:B4:I2C:CONDITION	START
SEARCH:SEARCH1:TRIGGER:A:BUS:B4:I2C:DATA:DIRECTION	NO CARE
SEARCH:SEARCH1:TRIGGER:A:BUS:B4:I2C:DATA:SIZE	1
SEARCH:SEARCH1:TRIGGER:A:BUS:B4:I2C:DATA:VALUE	"XXXXXXXX"
SEARCH:SEARCH1:TRIGGER:A:BUS:B4:LIN:CONDITION	SYNCFIELD
SEARCH:SEARCH1:TRIGGER:A:BUS:B4:LIN:DATA:HIVALUE	"XXXXXXXX"
SEARCH:SEARCH1:TRIGGER:A:BUS:B4:LIN:DATA:QUALIFIER	EQUAL
SEARCH:SEARCH1:TRIGGER:A:BUS:B4:LIN:DATA:SIZE	1
SEARCH:SEARCH1:TRIGGER:A:BUS:B4:LIN:DATA:VALUE	"XXXXXXXX"
SEARCH:SEARCH1:TRIGGER:A:BUS:B4:LIN:ERRTYPE	SYNC
SEARCH:SEARCH1:TRIGGER:A:BUS:B4:LIN:IDENTIFIER:VALUE	"XXXXXX"
SEARCH:SEARCH1:TRIGGER:A:BUS:B4:MIL1553B:COMMAND:ADDRESS:HIVALUE	"XXXXX"
SEARCH:SEARCH1:TRIGGER:A:BUS:B4:MIL1553B:COMMAND:ADDRESS:QUALIFIER	EQUAL
SEARCH:SEARCH1:TRIGGER:A:BUS:B4:MIL1553B:COMMAND:ADDRESS:VALUE	"XXXXXX"
SEARCH:SEARCH1:TRIGGER:A:BUS:B4:MIL1553B:COMMAND:COUNT	"XXXXX"
SEARCH:SEARCH1:TRIGGER:A:BUS:B4:MIL1553B:COMMAND:PARITY	X
SEARCH:SEARCH1:TRIGGER:A:BUS:B4:MIL1553B:COMMAND:SUBADDRESS	"XXXXX"
SEARCH:SEARCH1:TRIGGER:A:BUS:B4:MIL1553B:COMMAND:TRBIT	X
SEARCH:SEARCH1:TRIGGER:A:BUS:B4:MIL1553B:CONDITION	SYNC
SEARCH:SEARCH1:TRIGGER:A:BUS:B4:MIL1553B:DATA:PARITY	X
SEARCH:SEARCH1:TRIGGER:A:BUS:B4:MIL1553B:DATA:VALUE	"XXXXXXXXXXXXXXXXXXXX"
SEARCH:SEARCH1:TRIGGER:A:BUS:B4:MIL1553B:ERRTYPE	PARITY
SEARCH:SEARCH1:TRIGGER:A:BUS:B4:MIL1553B:STATUS:ADDRESS:HIVALUE	"XXXXX"
SEARCH:SEARCH1:TRIGGER:A:BUS:B4:MIL1553B:STATUS:ADDRESS:QUALIFIER	EQUAL
SEARCH:SEARCH1:TRIGGER:A:BUS:B4:MIL1553B:STATUS:ADDRESS:VALUE	"XXXXXX"
SEARCH:SEARCH1:TRIGGER:A:BUS:B4:MIL1553B:STATUS:BIT:BCR	X
SEARCH:SEARCH1:TRIGGER:A:BUS:B4:MIL1553B:STATUS:BIT:BUSY	X
SEARCH:SEARCH1:TRIGGER:A:BUS:B4:MIL1553B:STATUS:BIT:DBCA	X
SEARCH:SEARCH1:TRIGGER:A:BUS:B4:MIL1553B:STATUS:BIT:INSTR	X
SEARCH:SEARCH1:TRIGGER:A:BUS:B4:MIL1553B:STATUS:BIT:ME	X

Table C-1: Default Values (cont.)

Item	Description
SEARCH:SEARCH1:TRIGGER:A:BUS:B4:MIL1553B:STATUS:BIT:SRQ	X
SEARCH:SEARCH1:TRIGGER:A:BUS:B4:MIL1553B:STATUS:BIT:SBSF	X
SEARCH:SEARCH1:TRIGGER:A:BUS:B4:MIL1553B:STATUS:BIT:TF	X
SEARCH:SEARCH1:TRIGGER:A:BUS:B4:MIL1553B:STATUS:PARITY	X
SEARCH:SEARCH1:TRIGGER:A:BUS:B4:MIL1553B:TIME:LESSLIMIT	4.0000E-6
SEARCH:SEARCH1:TRIGGER:A:BUS:B4:MIL1553B:TIME:MORELIMIT	12.0000E-6
SEARCH:SEARCH1:TRIGGER:A:BUS:B4:MIL1553B:TIME:QUALIFIER	MORETHAN
SEARCH:SEARCH1:TRIGGER:A:BUS:B4:PARALLEL:VALUE	"XXXXXXXXXXXXXXXXXX"
SEARCH:SEARCH1:TRIGGER:A:BUS:B4:RS232C:CONDITION	TXSTART
SEARCH:SEARCH1:TRIGGER:A:BUS:B4:RS232C:RX:DATA:SIZE	1
SEARCH:SEARCH1:TRIGGER:A:BUS:B4:RS232C:RX:DATA:VALUE	"XXXXXXXX"
SEARCH:SEARCH1:TRIGGER:A:BUS:B4:RS232C:TX:DATA:SIZE	1
SEARCH:SEARCH1:TRIGGER:A:BUS:B4:RS232C:TX:DATA:VALUE	"XXXXXXXX"
SEARCH:SEARCH1:TRIGGER:A:BUS:B4:SPI:CONDITION	SS
SEARCH:SEARCH1:TRIGGER:A:BUS:B4:SPI:DATA:MISO:VALUE	"XXXXXXXX"
SEARCH:SEARCH1:TRIGGER:A:BUS:B4:SPI:DATA:MOSI:VALUE	"XXXXXXXX"
SEARCH:SEARCH1:TRIGGER:A:BUS:B4:SPI:DATA:SIZE	1
SEARCH:SEARCH1:TRIGGER:A:BUS:B4:USB:ADDRESS:HIVALUE	"XXXXXXXX"
SEARCH:SEARCH1:TRIGGER:A:BUS:B4:USB:ADDRESS:VALUE	"XXXXXXXX"
SEARCH:SEARCH1:TRIGGER:A:BUS:B4:USB:CONDITION	SYNC
SEARCH:SEARCH1:TRIGGER:A:BUS:B4:USB:DATA:HIVALUE	"XXXXXXXX"
SEARCH:SEARCH1:TRIGGER:A:BUS:B4:USB:DATA:OFFSET	-1
SEARCH:SEARCH1:TRIGGER:A:BUS:B4:USB:DATA:SIZE	1
SEARCH:SEARCH1:TRIGGER:A:BUS:B4:USB:DATA:TYPE	ANY
SEARCH:SEARCH1:TRIGGER:A:BUS:B4:USB:DATA:VALUE	"XXXXXXXX"
SEARCH:SEARCH1:TRIGGER:A:BUS:B4:USB:ENDPOINT:VALUE	"XXXX"
SEARCH:SEARCH1:TRIGGER:A:BUS:B4:USB:ERRTYPE	PID
SEARCH:SEARCH1:TRIGGER:A:BUS:B4:USB:HANDSHAKETYPE	ANY
SEARCH:SEARCH1:TRIGGER:A:BUS:B4:USB:QUALIFIER	EQUAL
SEARCH:SEARCH1:TRIGGER:A:BUS:B4:USB:SOFFRAMENUMBER	"XXXXXXXXXXXX"
SEARCH:SEARCH1:TRIGGER:A:BUS:B4:USB:SPECIALTYPE	ANY
SEARCH:SEARCH1:TRIGGER:A:BUS:B4:USB:SPLIT:ET:VALUE	NOCARE
SEARCH:SEARCH1:TRIGGER:A:BUS:B4:USB:SPLIT:HUB:VALUE	"XXXXXXXX"
SEARCH:SEARCH1:TRIGGER:A:BUS:B4:USB:SPLIT:PORT:VALUE	"XXXXXXXX"
SEARCH:SEARCH1:TRIGGER:A:BUS:B4:USB:SPLIT:SC:VALUE	NOCARE
SEARCH:SEARCH1:TRIGGER:A:BUS:B4:USB:SPLIT:SE:VALUE	NOCARE
SEARCH:SEARCH1:TRIGGER:A:BUS:B4:USB:TOKENTYPE	ANY

Table C-1: Default Values (cont.)

Item	Description
SEARCH:SEARCH1:TRIGGER:A:BUS:SOURCE	B1
SEARCH:SEARCH1:TRIGGER:A:EDGE:SLOPE	RISE
SEARCH:SEARCH1:TRIGGER:A:EDGE:SOURCE	CH1
SEARCH:SEARCH1:TRIGGER:A:LEVEL	0.0E+0
SEARCH:SEARCH1:TRIGGER:A:LEVEL:CH1	0.0E+0
SEARCH:SEARCH1:TRIGGER:A:LEVEL:CH2	0.0E+0
SEARCH:SEARCH1:TRIGGER:A:LEVEL:CH3	0.0E+0
SEARCH:SEARCH1:TRIGGER:A:LEVEL:CH4	0.0E+0
SEARCH:SEARCH1:TRIGGER:A:LEVEL:MATH	0.0E+0
SEARCH:SEARCH1:TRIGGER:A:LEVEL:REF1	0.0E+0
SEARCH:SEARCH1:TRIGGER:A:LEVEL:REF2	0.0E+0
SEARCH:SEARCH1:TRIGGER:A:LEVEL:REF3	0.0E+0
SEARCH:SEARCH1:TRIGGER:A:LEVEL:REF4	0.0E+0
SEARCH:SEARCH1:TRIGGER:A:LEVEL:RF_AMPLITUDE	0.0E+0
SEARCH:SEARCH1:TRIGGER:A:LEVEL:RF_FREQUENCY	0.0E+0
SEARCH:SEARCH1:TRIGGER:A:LEVEL:RF_PHASE	0.0E+0
SEARCH:SEARCH1:TRIGGER:A:LOGIC:FUNCTION	AND
SEARCH:SEARCH1:TRIGGER:A:LOGIC:INPUT:CH1	X
SEARCH:SEARCH1:TRIGGER:A:LOGIC:INPUT:CH2	X
SEARCH:SEARCH1:TRIGGER:A:LOGIC:INPUT:CH3	X
SEARCH:SEARCH1:TRIGGER:A:LOGIC:INPUT:CH4	X
SEARCH:SEARCH1:TRIGGER:A:LOGIC:INPUT:CLOCK:EDGE	RISE
SEARCH:SEARCH1:TRIGGER:A:LOGIC:INPUT:CLOCK:SOURCE	NONE
SEARCH:SEARCH1:TRIGGER:A:LOGIC:INPUT:D0	X
SEARCH:SEARCH1:TRIGGER:A:LOGIC:INPUT:D1	X
SEARCH:SEARCH1:TRIGGER:A:LOGIC:INPUT:D10	X
SEARCH:SEARCH1:TRIGGER:A:LOGIC:INPUT:D11	X
SEARCH:SEARCH1:TRIGGER:A:LOGIC:INPUT:D12	X
SEARCH:SEARCH1:TRIGGER:A:LOGIC:INPUT:D13	X
SEARCH:SEARCH1:TRIGGER:A:LOGIC:INPUT:D14	X
SEARCH:SEARCH1:TRIGGER:A:LOGIC:INPUT:D15	X
SEARCH:SEARCH1:TRIGGER:A:LOGIC:INPUT:D2	X
SEARCH:SEARCH1:TRIGGER:A:LOGIC:INPUT:D3	X
SEARCH:SEARCH1:TRIGGER:A:LOGIC:INPUT:D4	X
SEARCH:SEARCH1:TRIGGER:A:LOGIC:INPUT:D5	X
SEARCH:SEARCH1:TRIGGER:A:LOGIC:INPUT:D6	X
SEARCH:SEARCH1:TRIGGER:A:LOGIC:INPUT:D7	X

Table C-1: Default Values (cont.)

Item	Description
SEARCH:SEARCH1:TRIGGER:A:LOGIC:INPUT:D8	X
SEARCH:SEARCH1:TRIGGER:A:LOGIC:INPUT:D9	X
SEARCH:SEARCH1:TRIGGER:A:LOGIC:INPUT:MATH	X
SEARCH:SEARCH1:TRIGGER:A:LOGIC:INPUT:REF1	X
SEARCH:SEARCH1:TRIGGER:A:LOGIC:INPUT:REF2	X
SEARCH:SEARCH1:TRIGGER:A:LOGIC:INPUT:REF3	X
SEARCH:SEARCH1:TRIGGER:A:LOGIC:INPUT:REF4	X
SEARCH:SEARCH1:TRIGGER:A:LOGIC:INPUT:RF_AMPLITUDE	X
SEARCH:SEARCH1:TRIGGER:A:LOGIC:INPUT:RF_FREQUENCY	X
SEARCH:SEARCH1:TRIGGER:A:LOGIC:INPUT:RF_PHASE	X
SEARCH:SEARCH1:TRIGGER:A:LOGIC:PATTERN:INPUT:CH1	X
SEARCH:SEARCH1:TRIGGER:A:LOGIC:PATTERN:INPUT:CH2	X
SEARCH:SEARCH1:TRIGGER:A:LOGIC:PATTERN:INPUT:CH3	X
SEARCH:SEARCH1:TRIGGER:A:LOGIC:PATTERN:INPUT:CH4	X
SEARCH:SEARCH1:TRIGGER:A:LOGIC:PATTERN:INPUT:D0	X
SEARCH:SEARCH1:TRIGGER:A:LOGIC:PATTERN:INPUT:D1	X
SEARCH:SEARCH1:TRIGGER:A:LOGIC:PATTERN:INPUT:D10	X
SEARCH:SEARCH1:TRIGGER:A:LOGIC:PATTERN:INPUT:D11	X
SEARCH:SEARCH1:TRIGGER:A:LOGIC:PATTERN:INPUT:D12	X
SEARCH:SEARCH1:TRIGGER:A:LOGIC:PATTERN:INPUT:D13	X
SEARCH:SEARCH1:TRIGGER:A:LOGIC:PATTERN:INPUT:D14	X
SEARCH:SEARCH1:TRIGGER:A:LOGIC:PATTERN:INPUT:D15	X
SEARCH:SEARCH1:TRIGGER:A:LOGIC:PATTERN:INPUT:D2	X
SEARCH:SEARCH1:TRIGGER:A:LOGIC:PATTERN:INPUT:D3	X
SEARCH:SEARCH1:TRIGGER:A:LOGIC:PATTERN:INPUT:D4	X
SEARCH:SEARCH1:TRIGGER:A:LOGIC:PATTERN:INPUT:D5	X
SEARCH:SEARCH1:TRIGGER:A:LOGIC:PATTERN:INPUT:D6	X
SEARCH:SEARCH1:TRIGGER:A:LOGIC:PATTERN:INPUT:D7	X
SEARCH:SEARCH1:TRIGGER:A:LOGIC:PATTERN:INPUT:D8	X
SEARCH:SEARCH1:TRIGGER:A:LOGIC:PATTERN:INPUT:D9	X
SEARCH:SEARCH1:TRIGGER:A:LOGIC:PATTERN:INPUT:MATH	X
SEARCH:SEARCH1:TRIGGER:A:LOGIC:PATTERN:INPUT:REF1	X
SEARCH:SEARCH1:TRIGGER:A:LOGIC:PATTERN:INPUT:REF2	X
SEARCH:SEARCH1:TRIGGER:A:LOGIC:PATTERN:INPUT:REF3	X
SEARCH:SEARCH1:TRIGGER:A:LOGIC:PATTERN:INPUT:REF4	X
SEARCH:SEARCH1:TRIGGER:A:LOGIC:PATTERN:INPUT:RF_AMPLITUDE	X
SEARCH:SEARCH1:TRIGGER:A:LOGIC:PATTERN:INPUT:RF_FREQUENCY	X

Table C-1: Default Values (cont.)

Item	Description
SEARCH:SEARCH1:TRIGGER:A:LOGIC:PATTERN:INPUT:RF_PHASE	X
SEARCH:SEARCH1:TRIGGER:A:LOGIC:PATTERN:WHEN	TRUE
SEARCH:SEARCH1:TRIGGER:A:LOGIC:PATTERN:WHEN:LESSLIMIT	8.0000E-9
SEARCH:SEARCH1:TRIGGER:A:LOGIC:PATTERN:WHEN:MORELIMIT	8.0000E-9
SEARCH:SEARCH1:TRIGGER:A:LOGIC:THRESHOLD:CH1	0.0E+0
SEARCH:SEARCH1:TRIGGER:A:LOGIC:THRESHOLD:CH2	0.0E+0
SEARCH:SEARCH1:TRIGGER:A:LOGIC:THRESHOLD:CH3	0.0E+0
SEARCH:SEARCH1:TRIGGER:A:LOGIC:THRESHOLD:CH4	0.0E+0
SEARCH:SEARCH1:TRIGGER:A:LOGIC:THRESHOLD:MATH	0.0E+0
SEARCH:SEARCH1:TRIGGER:A:LOGIC:THRESHOLD:REF1	0.0E+0
SEARCH:SEARCH1:TRIGGER:A:LOGIC:THRESHOLD:REF2	0.0E+0
SEARCH:SEARCH1:TRIGGER:A:LOGIC:THRESHOLD:REF3	0.0E+0
SEARCH:SEARCH1:TRIGGER:A:LOGIC:THRESHOLD:REF4	0.0E+0
SEARCH:SEARCH1:TRIGGER:A:LOGIC:THRESHOLD:RF_AMPLITUDE	0.0E+0
SEARCH:SEARCH1:TRIGGER:A:LOGIC:THRESHOLD:RF_FREQUENCY	0.0E+0
SEARCH:SEARCH1:TRIGGER:A:LOGIC:THRESHOLD:RF_PHASE	0.0E+0
SEARCH:SEARCH1:TRIGGER:A:LOWERTHRESHOLD:CH1	0.0E+0
SEARCH:SEARCH1:TRIGGER:A:LOWERTHRESHOLD:CH2	0.0E+0
SEARCH:SEARCH1:TRIGGER:A:LOWERTHRESHOLD:CH3	0.0E+0
SEARCH:SEARCH1:TRIGGER:A:LOWERTHRESHOLD:CH4	0.0E+0
SEARCH:SEARCH1:TRIGGER:A:LOWERTHRESHOLD:MATH	0.0E+0
SEARCH:SEARCH1:TRIGGER:A:LOWERTHRESHOLD:REF1	0.0E+0
SEARCH:SEARCH1:TRIGGER:A:LOWERTHRESHOLD:REF2	0.0E+0
SEARCH:SEARCH1:TRIGGER:A:LOWERTHRESHOLD:REF3	0.0E+0
SEARCH:SEARCH1:TRIGGER:A:LOWERTHRESHOLD:REF4	0.0E+0
SEARCH:SEARCH1:TRIGGER:A:LOWERTHRESHOLD:RF_AMPLITUDE	0.0E+0
SEARCH:SEARCH1:TRIGGER:A:LOWERTHRESHOLD:RF_FREQUENCY	0.0E+0
SEARCH:SEARCH1:TRIGGER:A:LOWERTHRESHOLD:RF_PHASE	0.0E+0
SEARCH:SEARCH1:TRIGGER:A:PULSEWIDTH:HIGHLIMIT	12.0000E-9
SEARCH:SEARCH1:TRIGGER:A:PULSEWIDTH:LOWLIMIT	8.0000E-9
SEARCH:SEARCH1:TRIGGER:A:PULSEWIDTH:POLARITY	POSITIVE
SEARCH:SEARCH1:TRIGGER:A:PULSEWIDTH:WHEN	LESSTHAN
SEARCH:SEARCH1:TRIGGER:A:PULSEWIDTH:WIDTH	8.0000E-9
SEARCH:SEARCH1:TRIGGER:A:RUNT:POLARITY	POSITIVE
SEARCH:SEARCH1:TRIGGER:A:RUNT:WHEN	OCCURS
SEARCH:SEARCH1:TRIGGER:A:RUNT:WIDTH	8.0000E-9
SEARCH:SEARCH1:TRIGGER:A:SETHOLD:CLOCK:EDGE	RISE

Table C-1: Default Values (cont.)

Item	Description
SEARCH:SEARCH1:TRIGGER:A:SETHOLD:CLOCK:SOURCE	CH1
SEARCH:SEARCH1:TRIGGER:A:SETHOLD:CLOCK:THRESHOLD	0.0E+0
SEARCH:SEARCH1:TRIGGER:A:SETHOLD:DATA:SOURCE	NONE
SEARCH:SEARCH1:TRIGGER:A:SETHOLD:DATA:THRESHOLD	9.9100E+37
SEARCH:SEARCH1:TRIGGER:A:SETHOLD:HOLDTIME	8.0000E-9
SEARCH:SEARCH1:TRIGGER:A:SETHOLD:SETTIME	8.0000E-9
SEARCH:SEARCH1:TRIGGER:A:SETHOLD:THRESHOLD:CH1	0.0E+0
SEARCH:SEARCH1:TRIGGER:A:SETHOLD:THRESHOLD:CH2	0.0E+0
SEARCH:SEARCH1:TRIGGER:A:SETHOLD:THRESHOLD:CH3	0.0E+0
SEARCH:SEARCH1:TRIGGER:A:SETHOLD:THRESHOLD:CH4	0.0E+0
SEARCH:SEARCH1:TRIGGER:A:SETHOLD:THRESHOLD:MATH	0.0E+0
SEARCH:SEARCH1:TRIGGER:A:SETHOLD:THRESHOLD:REF1	0.0E+0
SEARCH:SEARCH1:TRIGGER:A:SETHOLD:THRESHOLD:REF2	0.0E+0
SEARCH:SEARCH1:TRIGGER:A:SETHOLD:THRESHOLD:REF3	0.0E+0
SEARCH:SEARCH1:TRIGGER:A:SETHOLD:THRESHOLD:REF4	0.0E+0
SEARCH:SEARCH1:TRIGGER:A:TIMEOUT:POLARITY	STAYSHIGH
SEARCH:SEARCH1:TRIGGER:A:TIMEOUT:TIME	8.0000E-9
SEARCH:SEARCH1:TRIGGER:A:TRANSITION:DELTATIME	8.0000E-9
SEARCH:SEARCH1:TRIGGER:A:TRANSITION:POLARITY	POSITIVE
SEARCH:SEARCH1:TRIGGER:A:TRANSITION:WHEN	SLOWER
SEARCH:SEARCH1:TRIGGER:A:TYPE	EDGE
SEARCH:SEARCH1:TRIGGER:A:UPPERTHRESHOLD:CH1	1.4000
SEARCH:SEARCH1:TRIGGER:A:UPPERTHRESHOLD:CH2	800.0000E-3
SEARCH:SEARCH1:TRIGGER:A:UPPERTHRESHOLD:CH3	800.0000E-3
SEARCH:SEARCH1:TRIGGER:A:UPPERTHRESHOLD:CH4	800.0000E-3
SEARCH:SEARCH1:TRIGGER:A:UPPERTHRESHOLD:MATH	800.0000E-3
SEARCH:SEARCH1:TRIGGER:A:UPPERTHRESHOLD:REF1	1.4000
SEARCH:SEARCH1:TRIGGER:A:UPPERTHRESHOLD:REF2	800.0000E-3
SEARCH:SEARCH1:TRIGGER:A:UPPERTHRESHOLD:REF3	800.0000E-3
SEARCH:SEARCH1:TRIGGER:A:UPPERTHRESHOLD:REF4	800.0000E-3
SEARCH:SEARCH1:TRIGGER:A:UPPERTHRESHOLD:RF_AMPLITUDE	1.4000
SEARCH:SEARCH1:TRIGGER:A:UPPERTHRESHOLD:RF_FREQUENCY	1.4000
SEARCH:SEARCH1:TRIGGER:A:UPPERTHRESHOLD:RF_PHASE	1.4000
SELECT:BUS1	0
SELECT:BUS2	0
SELECT:BUS3	0
SELECT:BUS4	0

Table C-1: Default Values (cont.)

Item	Description
SELECT:CH1	1
SELECT:CH2	0
SELECT:CH3	0
SELECT:CH4	0
SELECT:CONTROL	CH1
SELECT:D0	0
SELECT:D1	0
SELECT:D10	0
SELECT:D11	0
SELECT:D12	0
SELECT:D13	0
SELECT:D14	0
SELECT:D15	0
SELECT:D2	0
SELECT:D3	0
SELECT:D4	0
SELECT:D5	0
SELECT:D6	0
SELECT:D7	0
SELECT:D8	0
SELECT:D9	0
SELECT:DALL	0
SELECT:MATH	0
SELECT:REF1	0
SELECT:REF2	0
SELECT:REF3	0
SELECT:REF4	0
SELECT:RF_AMPLITUDE	0
SELECT:RF_AVERAGE	0
SELECT:RF_FREQUENCY	0
SELECT:RF_MAXHOLD	0
SELECT:RF_MINHOLD	0
SELECT:RF_NORMAL	0
SELECT:RF_PHASE	0
TRIGGER:A:BUS:B1:AUDIO:CONDITION	SOF
TRIGGER:A:BUS:B1:AUDIO:DATA:HIVALUE	"XXXXXXXXXXXXXXXXXXXXXXXXXXXX"
TRIGGER:A:BUS:B1:AUDIO:DATA:OFFSET	0

Table C-1: Default Values (cont.)

Item	Description
TRIGGER:A:BUS:B1:AUDIO:DATA:QUALIFIER	EQUAL
TRIGGER:A:BUS:B1:AUDIO:DATA:VALUE	"XXXXXXXXXXXXXXXXXXXXXXX"
TRIGGER:A:BUS:B1:AUDIO:DATA:WORD	EITHER
TRIGGER:A:BUS:B1:CAN:CONDITION	SOF
TRIGGER:A:BUS:B1:CAN:DATA:DIRECTION	NOCARE
TRIGGER:A:BUS:B1:CAN:DATA:QUALIFIER	EQUAL
TRIGGER:A:BUS:B1:CAN:DATA:SIZE	1
TRIGGER:A:BUS:B1:CAN:DATA:START	0.0E+0
TRIGGER:A:BUS:B1:CAN:DATA:VALUE	"XXXXXXX"
TRIGGER:A:BUS:B1:CAN:FRAMETYPE	DATA
TRIGGER:A:BUS:B1:CAN:IDENTIFIER:MODE	STANDARD
TRIGGER:A:BUS:B1:CAN:IDENTIFIER:VALUE	"XXXXXXXXXX"
TRIGGER:A:BUS:B1:ETHERNET:CONDITION	SFD
TRIGGER:A:BUS:B1:ETHERNET:DATA:HIVALUE	"XXXXXXX"
TRIGGER:A:BUS:B1:ETHERNET:DATA:OFFSET	-1
TRIGGER:A:BUS:B1:ETHERNET:DATA:SIZE	1
TRIGGER:A:BUS:B1:ETHERNET:DATA:VALUE	"XXXXXXX"
TRIGGER:A:BUS:B1:ETHERNET:FRAMETYPE	BASIC
TRIGGER:A:BUS:B1:ETHERNET:IPHEADER:DESTINATIONADDR:VALUE	"XXXXXXXXXXXXXXXXXXXXXXXXXXXXXXXXXXXX"
TRIGGER:A:BUS:B1:ETHERNET:IPHEADER:PROTOCOL:VALUE	"XXXXXXX"
TRIGGER:A:BUS:B1:ETHERNET:IPHEADER:SOURCEADDR:VALUE	"XXXXXXXXXXXXXXXXXXXXXXXXXXXXXXXXXXXX"
TRIGGER:A:BUS:B1:ETHERNET:MAC:ADDRESS:DESTINATION:VALUE	"XX"
TRIGGER:A:BUS:B1:ETHERNET:MAC:ADDRESS:SOURCE:VALUE	"XX"
TRIGGER:A:BUS:B1:ETHERNET:MAC:LENGTH:HIVALUE	"XXXXXXXXXXXXXXX"
TRIGGER:A:BUS:B1:ETHERNET:MAC:LENGTH:VALUE	"XXXXXXXXXXXXXXX"
TRIGGER:A:BUS:B1:ETHERNET:QTAG:VALUE	"XXXXXXXXXXXXXXXXXXXXXXXXXXXXXXXXXXXX"
TRIGGER:A:BUS:B1:ETHERNET:QUALIFIER	EQUAL
TRIGGER:A:BUS:B1:ETHERNET:TCPHEADER:ACKNUM:VALUE	"XXXXXXXXXXXXXXXXXXXXXXXXXXXXXXXXXXXX"
TRIGGER:A:BUS:B1:ETHERNET:TCPHEADER:DESTINATIONPORT:VALUE	"XXXXXXXXXXXXXXX"
TRIGGER:A:BUS:B1:ETHERNET:TCPHEADER:SEQNUM:VALUE	"XXXXXXXXXXXXXXXXXXXXXXXXXXXXXXXXXXXX"
TRIGGER:A:BUS:B1:ETHERNET:TCPHEADER:SOURCEPORT:VALUE	"XXXXXXXXXXXXXXX"
TRIGGER:A:BUS:B1:FLEXRAY:CONDITION	SOF
TRIGGER:A:BUS:B1:FLEXRAY:CYCLECOUNT:HIVALUE	"XXXXXX"
TRIGGER:A:BUS:B1:FLEXRAY:CYCLECOUNT:QUALIFIER	EQUAL
TRIGGER:A:BUS:B1:FLEXRAY:CYCLECOUNT:VALUE	"XXXXXX"
TRIGGER:A:BUS:B1:FLEXRAY:DATA:HIVALUE	"XXXXXXX"
TRIGGER:A:BUS:B1:FLEXRAY:DATA:OFFSET	-1

Table C-1: Default Values (cont.)

Item	Description
TRIGGER:A:BUS:B1:FLEXRAY:DATA:QUALIFIER	EQUAL
TRIGGER:A:BUS:B1:FLEXRAY:DATA:SIZE	1
TRIGGER:A:BUS:B1:FLEXRAY:DATA:VALUE	"XXXXXXXX"
TRIGGER:A:BUS:B1:FLEXRAY:EOFTYPE	STATIC
TRIGGER:A:BUS:B1:FLEXRAY:ERRTYPE	CRCHEADER
TRIGGER:A:BUS:B1:FLEXRAY:FRAMEID:HIVALUE	"XXXXXXXXXXXX"
TRIGGER:A:BUS:B1:FLEXRAY:FRAMEID:QUALIFIER	EQUAL
TRIGGER:A:BUS:B1:FLEXRAY:FRAMEID:VALUE	"XXXXXXXXXXXX"
TRIGGER:A:BUS:B1:FLEXRAY:FRAMETYPE	NORMAL
TRIGGER:A:BUS:B1:FLEXRAY:HEADER:CRC	"XXXXXXXXXXXX"
TRIGGER:A:BUS:B1:FLEXRAY:HEADER:CYCLECOUNT	"XXXXXX"
TRIGGER:A:BUS:B1:FLEXRAY:HEADER:FRAMEID	"XXXXXXXXXXXX"
TRIGGER:A:BUS:B1:FLEXRAY:HEADER:INDBITS	"XXXXXX"
TRIGGER:A:BUS:B1:FLEXRAY:HEADER:PAYLENGTH	"XXXXXX"
TRIGGER:A:BUS:B1:I2C:ADDRESS:MODE	ADDR7
TRIGGER:A:BUS:B1:I2C:ADDRESS:TYPE	USER
TRIGGER:A:BUS:B1:I2C:ADDRESS:VALUE	"XXXXXX"
TRIGGER:A:BUS:B1:I2C:CONDITION	START
TRIGGER:A:BUS:B1:I2C:DATA:DIRECTION	NOCARE
TRIGGER:A:BUS:B1:I2C:DATA:SIZE	1
TRIGGER:A:BUS:B1:I2C:DATA:START	0.0E+0
TRIGGER:A:BUS:B1:I2C:DATA:VALUE	"XXXXXXXX"
TRIGGER:A:BUS:B1:LIN:CONDITION	SYNCFIELD
TRIGGER:A:BUS:B1:LIN:DATA:HIVALUE	"XXXXXXXX"
TRIGGER:A:BUS:B1:LIN:DATA:QUALIFIER	EQUAL
TRIGGER:A:BUS:B1:LIN:DATA:SIZE	1
TRIGGER:A:BUS:B1:LIN:DATA:VALUE	"XXXXXXXX"
TRIGGER:A:BUS:B1:LIN:ERRTYPE	SYNC
TRIGGER:A:BUS:B1:LIN:IDENTIFIER:VALUE	"XXXXXX"
TRIGGER:A:BUS:B1:MIL1553B:COMMAND:ADDRESS:HIVALUE	"XXXXXX"
TRIGGER:A:BUS:B1:MIL1553B:COMMAND:ADDRESS:QUALIFIER	EQUAL
TRIGGER:A:BUS:B1:MIL1553B:COMMAND:ADDRESS:VALUE	"XXXXXX"
TRIGGER:A:BUS:B1:MIL1553B:COMMAND:COUNT	"XXXXXX"
TRIGGER:A:BUS:B1:MIL1553B:COMMAND:PARITY	X
TRIGGER:A:BUS:B1:MIL1553B:COMMAND:SUBADDRESS	"XXXXXX"
TRIGGER:A:BUS:B1:MIL1553B:COMMAND:TRBIT	X
TRIGGER:A:BUS:B1:MIL1553B:CONDITION	SYNC

Table C-1: Default Values (cont.)

Item	Description
TRIGGER:A:BUS:B1:MIL1553B:DATA:PARITY	X
TRIGGER:A:BUS:B1:MIL1553B:DATA:VALUE	"XXXXXXXXXXXXXXXXXX"
TRIGGER:A:BUS:B1:MIL1553B:ERRTYPE	PARITY
TRIGGER:A:BUS:B1:MIL1553B:STATUS:ADDRESS:HIVALUE	"XXXXX"
TRIGGER:A:BUS:B1:MIL1553B:STATUS:ADDRESS:QUALIFIER	EQUAL
TRIGGER:A:BUS:B1:MIL1553B:STATUS:ADDRESS:VALUE	"XXXXX"
TRIGGER:A:BUS:B1:MIL1553B:STATUS:BIT:BCR	X
TRIGGER:A:BUS:B1:MIL1553B:STATUS:BIT:BUSY	X
TRIGGER:A:BUS:B1:MIL1553B:STATUS:BIT:DBCA	X
TRIGGER:A:BUS:B1:MIL1553B:STATUS:BIT:INSTR	X
TRIGGER:A:BUS:B1:MIL1553B:STATUS:BIT:ME	X
TRIGGER:A:BUS:B1:MIL1553B:STATUS:BIT:SRQ	X
TRIGGER:A:BUS:B1:MIL1553B:STATUS:BIT:SBSF	X
TRIGGER:A:BUS:B1:MIL1553B:STATUS:BIT:TF	X
TRIGGER:A:BUS:B1:MIL1553B:STATUS:PARITY	X
TRIGGER:A:BUS:B1:MIL1553B:TIME:LESSLIMIT	4.0000E-6
TRIGGER:A:BUS:B1:MIL1553B:TIME:MORELIMIT	12.0000E-6
TRIGGER:A:BUS:B1:MIL1553B:TIME:QUALIFIER	MORETHAN
TRIGGER:A:BUS:B1:PARALLEL:VALUE	"XXXXXXXXXXXXXXXXXX"
TRIGGER:A:BUS:B1:RS232C:CONDITION	TXSTART
TRIGGER:A:BUS:B1:RS232C:RX:DATA:SIZE	1
TRIGGER:A:BUS:B1:RS232C:RX:DATA:VALUE	"XXXXXXXX"
TRIGGER:A:BUS:B1:RS232C:TX:DATA:SIZE	1
TRIGGER:A:BUS:B1:RS232C:TX:DATA:VALUE	"XXXXXXXX"
TRIGGER:A:BUS:B1:SPI:CONDITION	SS
TRIGGER:A:BUS:B1:SPI:DATA:IN:VALUE	"XXXXXXXX"
TRIGGER:A:BUS:B1:SPI:DATA:OUT:VALUE	"XXXXXXXX"
TRIGGER:A:BUS:B1:SPI:DATA:SIZE	1
TRIGGER:A:BUS:B1:SPI:DATA:START	0.0E+0
TRIGGER:A:BUS:B1:USB:ADDRESS:HIVALUE	"XXXXXXXX"
TRIGGER:A:BUS:B1:USB:ADDRESS:VALUE	"XXXXXXXX"
TRIGGER:A:BUS:B1:USB:CONDITION	SYNC
TRIGGER:A:BUS:B1:USB:DATA:HIVALUE	"XXXXXXXX"
TRIGGER:A:BUS:B1:USB:DATA:OFFSET	-1
TRIGGER:A:BUS:B1:USB:DATA:SIZE	1
TRIGGER:A:BUS:B1:USB:DATA:TYPE	ANY
TRIGGER:A:BUS:B1:USB:DATA:VALUE	"XXXXXXXX"

Table C-1: Default Values (cont.)

Item	Description
TRIGGER:A:BUS:B1:USB:ENDPOINT:VALUE	"XXXX"
TRIGGER:A:BUS:B1:USB:ERRTYPE	PID
TRIGGER:A:BUS:B1:USB:HANDSHAKETYPE	ANY
TRIGGER:A:BUS:B1:USB:QUALIFIER	EQUAL
TRIGGER:A:BUS:B1:USB:SOFFRAMENUMBER	"XXXXXXXXXXXX"
TRIGGER:A:BUS:B1:USB:SPECIALTYPE	ANY
TRIGGER:A:BUS:B1:USB:SPLIT:ET:VALUE	NOCARE
TRIGGER:A:BUS:B1:USB:SPLIT:HUB:VALUE	"XXXXXX"
TRIGGER:A:BUS:B1:USB:SPLIT:PORT:VALUE	"XXXXXX"
TRIGGER:A:BUS:B1:USB:SPLIT:SC:VALUE	NOCARE
TRIGGER:A:BUS:B1:USB:SPLIT:SE:VALUE	NOCARE
TRIGGER:A:BUS:B1:USB:TOKENTYPE	ANY
TRIGGER:A:BUS:B2:AUDIO:CONDITION	SOF
TRIGGER:A:BUS:B2:AUDIO:DATA:HIVALUE	"XXXXXXXXXXXXXXXXXXXXXXXXXXXX"
TRIGGER:A:BUS:B2:AUDIO:DATA:OFFSET	0
TRIGGER:A:BUS:B2:AUDIO:DATA:QUALIFIER	EQUAL
TRIGGER:A:BUS:B2:AUDIO:DATA:VALUE	"XXXXXXXXXXXXXXXXXXXXXXXXXXXX"
TRIGGER:A:BUS:B2:AUDIO:DATA:WORD	EITHER
TRIGGER:A:BUS:B2:CAN:CONDITION	SOF
TRIGGER:A:BUS:B2:CAN:DATA:DIRECTION	NOCARE
TRIGGER:A:BUS:B2:CAN:DATA:QUALIFIER	EQUAL
TRIGGER:A:BUS:B2:CAN:DATA:SIZE	1
TRIGGER:A:BUS:B2:CAN:DATA:START	0.0E+0
TRIGGER:A:BUS:B2:CAN:DATA:VALUE	"XXXXXX"
TRIGGER:A:BUS:B2:CAN:FRAMETYPE	DATA
TRIGGER:A:BUS:B2:CAN:IDENTIFIER:MODE	STANDARD
TRIGGER:A:BUS:B2:CAN:IDENTIFIER:VALUE	"XXXXXXXXXXXX"
TRIGGER:A:BUS:B2:ETHERNET:CONDITION	SFD
TRIGGER:A:BUS:B2:ETHERNET:DATA:HIVALUE	"XXXXXX"
TRIGGER:A:BUS:B2:ETHERNET:DATA:OFFSET	-1
TRIGGER:A:BUS:B2:ETHERNET:DATA:SIZE	1
TRIGGER:A:BUS:B2:ETHERNET:DATA:VALUE	"XXXXXX"
TRIGGER:A:BUS:B2:ETHERNET:FRAMETYPE	BASIC
TRIGGER:A:BUS:B2:ETHERNET:IPHEADER:DESTINATIONADDR:VALUE	"XXXXXXXXXXXXXXXXXXXXXXXXXXXXXXXXXXXX"
TRIGGER:A:BUS:B2:ETHERNET:IPHEADER:PROTOCOL:VALUE	"XXXXXX"
TRIGGER:A:BUS:B2:ETHERNET:IPHEADER:SOURCEADDR:VALUE	"XXXXXXXXXXXXXXXXXXXXXXXXXXXXXXXXXXXX"
TRIGGER:A:BUS:B2:ETHERNET:MAC:ADDRESS:DESTINATION:VALUE	"XX"

Table C-1: Default Values (cont.)

Item	Description
TRIGGER:A:BUS:B2:LIN:CONDITION	SYNCFIELD
TRIGGER:A:BUS:B2:LIN:DATA:HIVALUE	"XXXXXXXX"
TRIGGER:A:BUS:B2:LIN:DATA:QUALIFIER	EQUAL
TRIGGER:A:BUS:B2:LIN:DATA:SIZE	1
TRIGGER:A:BUS:B2:LIN:DATA:VALUE	"XXXXXXXX"
TRIGGER:A:BUS:B2:LIN:ERRTYPE	SYNC
TRIGGER:A:BUS:B2:LIN:IDENTIFIER:VALUE	"XXXXXX"
TRIGGER:A:BUS:B2:MIL1553B:COMMAND:ADDRESS:HIVALUE	"XXXXX"
TRIGGER:A:BUS:B2:MIL1553B:COMMAND:ADDRESS:QUALIFIER	EQUAL
TRIGGER:A:BUS:B2:MIL1553B:COMMAND:ADDRESS:VALUE	"XXXXX"
TRIGGER:A:BUS:B2:MIL1553B:COMMAND:COUNT	"XXXXX"
TRIGGER:A:BUS:B2:MIL1553B:COMMAND:PARITY	X
TRIGGER:A:BUS:B2:MIL1553B:COMMAND:SUBADDRESS	"XXXXX"
TRIGGER:A:BUS:B2:MIL1553B:COMMAND:TRBIT	X
TRIGGER:A:BUS:B2:MIL1553B:CONDITION	SYNC
TRIGGER:A:BUS:B2:MIL1553B:DATA:PARITY	X
TRIGGER:A:BUS:B2:MIL1553B:DATA:VALUE	"XXXXXXXXXXXXXXXXXXXX"
TRIGGER:A:BUS:B2:MIL1553B:ERRTYPE	PARITY
TRIGGER:A:BUS:B2:MIL1553B:STATUS:ADDRESS:HIVALUE	"XXXXX"
TRIGGER:A:BUS:B2:MIL1553B:STATUS:ADDRESS:QUALIFIER	EQUAL
TRIGGER:A:BUS:B2:MIL1553B:STATUS:ADDRESS:VALUE	"XXXXX"
TRIGGER:A:BUS:B2:MIL1553B:STATUS:BIT:BCR	X
TRIGGER:A:BUS:B2:MIL1553B:STATUS:BIT:BUSY	X
TRIGGER:A:BUS:B2:MIL1553B:STATUS:BIT:DBCA	X
TRIGGER:A:BUS:B2:MIL1553B:STATUS:BIT:INSTR	X
TRIGGER:A:BUS:B2:MIL1553B:STATUS:BIT:ME	X
TRIGGER:A:BUS:B2:MIL1553B:STATUS:BIT:SRQ	X
TRIGGER:A:BUS:B2:MIL1553B:STATUS:BIT:SBSF	X
TRIGGER:A:BUS:B2:MIL1553B:STATUS:BIT:TF	X
TRIGGER:A:BUS:B2:MIL1553B:STATUS:PARITY	X
TRIGGER:A:BUS:B2:MIL1553B:TIME:LESSLIMIT	4.0000E-6
TRIGGER:A:BUS:B2:MIL1553B:TIME:MORELIMIT	12.0000E-6
TRIGGER:A:BUS:B2:MIL1553B:TIME:QUALIFIER	MORETHAN
TRIGGER:A:BUS:B2:PARALLEL:VALUE	"XXXXXXXXXXXXXXXXXXXX"
TRIGGER:A:BUS:B2:RS232C:CONDITION	TXSTART
TRIGGER:A:BUS:B2:RS232C:RX:DATA:SIZE	1
TRIGGER:A:BUS:B2:RS232C:RX:DATA:VALUE	"XXXXXXXX"

Table C-1: Default Values (cont.)

Item	Description
TRIGGER:A:BUS:B2:RS232C:TX:DATA:SIZE	1
TRIGGER:A:BUS:B2:RS232C:TX:DATA:VALUE	"XXXXXXXX"
TRIGGER:A:BUS:B2:SPI:CONDITION	SS
TRIGGER:A:BUS:B2:SPI:DATA:IN:VALUE	"XXXXXXXX"
TRIGGER:A:BUS:B2:SPI:DATA:OUT:VALUE	"XXXXXXXX"
TRIGGER:A:BUS:B2:SPI:DATA:SIZE	1
TRIGGER:A:BUS:B2:SPI:DATA:START	0.0E+0
TRIGGER:A:BUS:B2:USB:ADDRESS:HIVALUE	"XXXXXXXX"
TRIGGER:A:BUS:B2:USB:ADDRESS:VALUE	"XXXXXXXX"
TRIGGER:A:BUS:B2:USB:CONDITION	SYNC
TRIGGER:A:BUS:B2:USB:DATA:HIVALUE	"XXXXXXXX"
TRIGGER:A:BUS:B2:USB:DATA:OFFSET	-1
TRIGGER:A:BUS:B2:USB:DATA:SIZE	1
TRIGGER:A:BUS:B2:USB:DATA:TYPE	ANY
TRIGGER:A:BUS:B2:USB:DATA:VALUE	"XXXXXXXX"
TRIGGER:A:BUS:B2:USB:ENDPOINT:VALUE	"XXXX"
TRIGGER:A:BUS:B2:USB:ERRTYPE	PID
TRIGGER:A:BUS:B2:USB:HANDSHAKETYPE	ANY
TRIGGER:A:BUS:B2:USB:QUALIFIER	EQUAL
TRIGGER:A:BUS:B2:USB:SOFFRAMENUMBER	"XXXXXXXXXXXX"
TRIGGER:A:BUS:B2:USB:SPECIALTYPE	ANY
TRIGGER:A:BUS:B2:USB:SPLIT:ET:VALUE	NOCARE
TRIGGER:A:BUS:B2:USB:SPLIT:HUB:VALUE	"XXXXXXXX"
TRIGGER:A:BUS:B2:USB:SPLIT:PORT:VALUE	"XXXXXXXX"
TRIGGER:A:BUS:B2:USB:SPLIT:SC:VALUE	NOCARE
TRIGGER:A:BUS:B2:USB:SPLIT:SE:VALUE	NOCARE
TRIGGER:A:BUS:B2:USB:TOKENTYPE	ANY
TRIGGER:A:BUS:B3:AUDIO:CONDITION	SOF
TRIGGER:A:BUS:B3:AUDIO:DATA:HIVALUE	"XXXXXXXXXXXXXXXXXXXXXXXXXXXX"
TRIGGER:A:BUS:B3:AUDIO:DATA:OFFSET	0
TRIGGER:A:BUS:B3:AUDIO:DATA:QUALIFIER	EQUAL
TRIGGER:A:BUS:B3:AUDIO:DATA:VALUE	"XXXXXXXXXXXXXXXXXXXXXXXXXXXX"
TRIGGER:A:BUS:B3:AUDIO:DATA:WORD	EITHER
TRIGGER:A:BUS:B3:CAN:CONDITION	SOF
TRIGGER:A:BUS:B3:CAN:DATA:DIRECTION	NOCARE
TRIGGER:A:BUS:B3:CAN:DATA:QUALIFIER	EQUAL
TRIGGER:A:BUS:B3:CAN:DATA:SIZE	1

Table C-1: Default Values (cont.)

Item	Description
TRIGGER:A:BUS:B3:FLEXRAY:FRAMEID:VALUE	"XXXXXXXXXXXX"
TRIGGER:A:BUS:B3:FLEXRAY:FRAMETYPE	NORMAL
TRIGGER:A:BUS:B3:FLEXRAY:HEADER:CRC	"XXXXXXXXXXXX"
TRIGGER:A:BUS:B3:FLEXRAY:HEADER:CYCLECOUNT	"XXXXXX"
TRIGGER:A:BUS:B3:FLEXRAY:HEADER:FRAMEID	"XXXXXXXXXXXX"
TRIGGER:A:BUS:B3:FLEXRAY:HEADER:INDBITS	"XXXXXX"
TRIGGER:A:BUS:B3:FLEXRAY:HEADER:PAYLENGTH	"XXXXXX"
TRIGGER:A:BUS:B3:I2C:ADDRESS:MODE	ADDR7
TRIGGER:A:BUS:B3:I2C:ADDRESS:TYPE	USER
TRIGGER:A:BUS:B3:I2C:ADDRESS:VALUE	"XXXXXX"
TRIGGER:A:BUS:B3:I2C:CONDITION	START
TRIGGER:A:BUS:B3:I2C:DATA:DIRECTION	NOCARE
TRIGGER:A:BUS:B3:I2C:DATA:SIZE	1
TRIGGER:A:BUS:B3:I2C:DATA:START	0.0E+0
TRIGGER:A:BUS:B3:I2C:DATA:VALUE	"XXXXXXXX"
TRIGGER:A:BUS:B3:LIN:CONDITION	SYNCFIELD
TRIGGER:A:BUS:B3:LIN:DATA:HIVALUE	"XXXXXXXX"
TRIGGER:A:BUS:B3:LIN:DATA:QUALIFIER	EQUAL
TRIGGER:A:BUS:B3:LIN:DATA:SIZE	1
TRIGGER:A:BUS:B3:LIN:DATA:VALUE	"XXXXXXXX"
TRIGGER:A:BUS:B3:LIN:ERRTYPE	SYNC
TRIGGER:A:BUS:B3:LIN:IDENTIFIER:VALUE	"XXXXXX"
TRIGGER:A:BUS:B3:MIL1553B:COMMAND:ADDRESS:HIVALUE	"XXXXXX"
TRIGGER:A:BUS:B3:MIL1553B:COMMAND:ADDRESS:QUALIFIER	EQUAL
TRIGGER:A:BUS:B3:MIL1553B:COMMAND:ADDRESS:VALUE	"XXXXXX"
TRIGGER:A:BUS:B3:MIL1553B:COMMAND:COUNT	"XXXXXX"
TRIGGER:A:BUS:B3:MIL1553B:COMMAND:PARITY	X
TRIGGER:A:BUS:B3:MIL1553B:COMMAND:SUBADDRESS	"XXXXXX"
TRIGGER:A:BUS:B3:MIL1553B:COMMAND:TRBIT	X
TRIGGER:A:BUS:B3:MIL1553B:CONDITION	SYNC
TRIGGER:A:BUS:B3:MIL1553B:DATA:PARITY	X
TRIGGER:A:BUS:B3:MIL1553B:DATA:VALUE	"XXXXXXXXXXXXXXXXXX"
TRIGGER:A:BUS:B3:MIL1553B:ERRTYPE	PARITY
TRIGGER:A:BUS:B3:MIL1553B:STATUS:ADDRESS:HIVALUE	"XXXXXX"
TRIGGER:A:BUS:B3:MIL1553B:STATUS:ADDRESS:QUALIFIER	EQUAL
TRIGGER:A:BUS:B3:MIL1553B:STATUS:ADDRESS:VALUE	"XXXXXX"
TRIGGER:A:BUS:B3:MIL1553B:STATUS:BIT:BCR	X

Table C-1: Default Values (cont.)

Item	Description
TRIGGER:A:BUS:B3:MIL1553B:STATUS:BIT:BUSY	X
TRIGGER:A:BUS:B3:MIL1553B:STATUS:BIT:DBCA	X
TRIGGER:A:BUS:B3:MIL1553B:STATUS:BIT:INSTR	X
TRIGGER:A:BUS:B3:MIL1553B:STATUS:BIT:ME	X
TRIGGER:A:BUS:B3:MIL1553B:STATUS:BIT:SRQ	X
TRIGGER:A:BUS:B3:MIL1553B:STATUS:BIT:SBSF	X
TRIGGER:A:BUS:B3:MIL1553B:STATUS:BIT:TF	X
TRIGGER:A:BUS:B3:MIL1553B:STATUS:PARITY	X
TRIGGER:A:BUS:B3:MIL1553B:TIME:LESSLIMIT	4.0000E-6
TRIGGER:A:BUS:B3:MIL1553B:TIME:MORELIMIT	12.0000E-6
TRIGGER:A:BUS:B3:MIL1553B:TIME:QUALIFIER	MORETHAN
TRIGGER:A:BUS:B3:PARALLEL:VALUE	"XXXXXXXXXXXXXXXXXX"
TRIGGER:A:BUS:B3:RS232C:CONDITION	TXSTART
TRIGGER:A:BUS:B3:RS232C:RX:DATA:SIZE	1
TRIGGER:A:BUS:B3:RS232C:RX:DATA:VALUE	"XXXXXXXX"
TRIGGER:A:BUS:B3:RS232C:TX:DATA:SIZE	1
TRIGGER:A:BUS:B3:RS232C:TX:DATA:VALUE	"XXXXXXXX"
TRIGGER:A:BUS:B3:SPI:CONDITION	SS
TRIGGER:A:BUS:B3:SPI:DATA:IN:VALUE	"XXXXXXXX"
TRIGGER:A:BUS:B3:SPI:DATA:OUT:VALUE	"XXXXXXXX"
TRIGGER:A:BUS:B3:SPI:DATA:SIZE	1
TRIGGER:A:BUS:B3:SPI:DATA:START	0.0E+0
TRIGGER:A:BUS:B3:USB:ADDRESS:HIVALUE	"XXXXXXXX"
TRIGGER:A:BUS:B3:USB:ADDRESS:VALUE	"XXXXXXXX"
TRIGGER:A:BUS:B3:USB:CONDITION	SYNC
TRIGGER:A:BUS:B3:USB:DATA:HIVALUE	"XXXXXXXX"
TRIGGER:A:BUS:B3:USB:DATA:OFFSET	-1
TRIGGER:A:BUS:B3:USB:DATA:SIZE	1
TRIGGER:A:BUS:B3:USB:DATA:TYPE	ANY
TRIGGER:A:BUS:B3:USB:DATA:VALUE	"XXXXXXXX"
TRIGGER:A:BUS:B3:USB:ENDPOINT:VALUE	"XXXX"
TRIGGER:A:BUS:B3:USB:ERRTYPE	PID
TRIGGER:A:BUS:B3:USB:HANDSHAKETYPE	ANY
TRIGGER:A:BUS:B3:USB:QUALIFIER	EQUAL
TRIGGER:A:BUS:B3:USB:SOFFRAMENUMBER	"XXXXXXXXXXXX"
TRIGGER:A:BUS:B3:USB:SPECIALTYPE	ANY
TRIGGER:A:BUS:B3:USB:SPLIT:ET:VALUE	NOCARE

Table C-1: Default Values (cont.)

Item	Description
TRIGGER:A:BUS:B3:USB:SPLIT:HUB:VALUE	"XXXXXXX"
TRIGGER:A:BUS:B3:USB:SPLIT:PORT:VALUE	"XXXXXXX"
TRIGGER:A:BUS:B3:USB:SPLIT:SC:VALUE	NOCARE
TRIGGER:A:BUS:B3:USB:SPLIT:SE:VALUE	NOCARE
TRIGGER:A:BUS:B3:USB:TOKENTYPE	ANY
TRIGGER:A:BUS:B4:AUDIO:CONDITION	SOF
TRIGGER:A:BUS:B4:AUDIO:DATA:HIVALUE	"XXXXXXXXXXXXXXXXXXXXXXXXXXXX"
TRIGGER:A:BUS:B4:AUDIO:DATA:OFFSET	0
TRIGGER:A:BUS:B4:AUDIO:DATA:QUALIFIER	EQUAL
TRIGGER:A:BUS:B4:AUDIO:DATA:VALUE	"XXXXXXXXXXXXXXXXXXXXXXXXXXXX"
TRIGGER:A:BUS:B4:AUDIO:DATA:WORD	EITHER
TRIGGER:A:BUS:B4:CAN:CONDITION	SOF
TRIGGER:A:BUS:B4:CAN:DATA:DIRECTION	NOCARE
TRIGGER:A:BUS:B4:CAN:DATA:QUALIFIER	EQUAL
TRIGGER:A:BUS:B4:CAN:DATA:SIZE	1
TRIGGER:A:BUS:B4:CAN:DATA:START	0.0E+0
TRIGGER:A:BUS:B4:CAN:DATA:VALUE	"XXXXXXX"
TRIGGER:A:BUS:B4:CAN:FRAMETYPE	DATA
TRIGGER:A:BUS:B4:CAN:IDENTIFIER:MODE	STANDARD
TRIGGER:A:BUS:B4:CAN:IDENTIFIER:VALUE	"XXXXXXXXXX"
TRIGGER:A:BUS:B4:ETHERNET:CONDITION	SFD
TRIGGER:A:BUS:B4:ETHERNET:DATA:HIVALUE	"XXXXXXX"
TRIGGER:A:BUS:B4:ETHERNET:DATA:OFFSET	-1
TRIGGER:A:BUS:B4:ETHERNET:DATA:SIZE	1
TRIGGER:A:BUS:B4:ETHERNET:DATA:VALUE	"XXXXXXX"
TRIGGER:A:BUS:B4:ETHERNET:FRAMETYPE	BASIC
TRIGGER:A:BUS:B4:ETHERNET:IPHEADER:DESTINATIONADDR:VALUE	"XXXXXXXXXXXXXXXXXXXXXXXXXXXX"
TRIGGER:A:BUS:B4:ETHERNET:IPHEADER:PROTOCOL:VALUE	"XXXXXXX"
TRIGGER:A:BUS:B4:ETHERNET:IPHEADER:SOURCEADDR:VALUE	"XXXXXXXXXXXXXXXXXXXXXXXXXXXX"
TRIGGER:A:BUS:B4:ETHERNET:MAC:ADDRESS:DESTINATION:VALUE	"XXXXXXXXXXXXXXXXXXXXXXXXXXXX"
TRIGGER:A:BUS:B4:ETHERNET:MAC:ADDRESS:SOURCE:VALUE	"XXXXXXXXXXXXXXXXXXXXXXXXXXXX"
TRIGGER:A:BUS:B4:ETHERNET:MAC:LENGTH:HIVALUE	"XXXXXXXXXXXXXXXXXX"
TRIGGER:A:BUS:B4:ETHERNET:MAC:LENGTH:VALUE	"XXXXXXXXXXXXXXXXXX"
TRIGGER:A:BUS:B4:ETHERNET:QTAG:VALUE	"XXXXXXXXXXXXXXXXXXXXXXXXXXXX"
TRIGGER:A:BUS:B4:ETHERNET:QUALIFIER	EQUAL
TRIGGER:A:BUS:B4:ETHERNET:TCPHEADER:ACKNUM:VALUE	"XXXXXXXXXXXXXXXXXXXXXXXXXXXX"
TRIGGER:A:BUS:B4:ETHERNET:TCPHEADER:DESTINATIONPORT:VALUE	"XXXXXXXXXXXXXXXXXX"

Table C-1: Default Values (cont.)

Item	Description
TRIGGER:A:BUS:B4:ETHERNET:TCPHEADER:SEQNUM:VALUE	"XX"
TRIGGER:A:BUS:B4:ETHERNET:TCPHEADER:SOURCEPORT:VALUE	"XXXXXXXXXXXXXXXXXX"
TRIGGER:A:BUS:B4:FLEXRAY:CONDITION	SOF
TRIGGER:A:BUS:B4:FLEXRAY:CYCLECOUNT:HIVALUE	"XXXXXX"
TRIGGER:A:BUS:B4:FLEXRAY:CYCLECOUNT:QUALIFIER	EQUAL
TRIGGER:A:BUS:B4:FLEXRAY:CYCLECOUNT:VALUE	"XXXXXX"
TRIGGER:A:BUS:B4:FLEXRAY:DATA:HIVALUE	"XXXXXXX"
TRIGGER:A:BUS:B4:FLEXRAY:DATA:OFFSET	-1
TRIGGER:A:BUS:B4:FLEXRAY:DATA:QUALIFIER	EQUAL
TRIGGER:A:BUS:B4:FLEXRAY:DATA:SIZE	1
TRIGGER:A:BUS:B4:FLEXRAY:DATA:VALUE	"XXXXXXX"
TRIGGER:A:BUS:B4:FLEXRAY:EOFTYPE	STATIC
TRIGGER:A:BUS:B4:FLEXRAY:ERRTYPE	CRCHEADER
TRIGGER:A:BUS:B4:FLEXRAY:FRAMEID:HIVALUE	"XXXXXXXXXXXX"
TRIGGER:A:BUS:B4:FLEXRAY:FRAMEID:QUALIFIER	EQUAL
TRIGGER:A:BUS:B4:FLEXRAY:FRAMEID:VALUE	"XXXXXXXXXXXX"
TRIGGER:A:BUS:B4:FLEXRAY:FRAMETYPE	NORMAL
TRIGGER:A:BUS:B4:FLEXRAY:HEADER:CRC	"XXXXXXXXXXXX"
TRIGGER:A:BUS:B4:FLEXRAY:HEADER:CYCLECOUNT	"XXXXXX"
TRIGGER:A:BUS:B4:FLEXRAY:HEADER:FRAMEID	"XXXXXXXXXXXX"
TRIGGER:A:BUS:B4:FLEXRAY:HEADER:INDBITS	"XXXXX"
TRIGGER:A:BUS:B4:FLEXRAY:HEADER:PAYLENGTH	"XXXXXXX"
TRIGGER:A:BUS:B4:I2C:ADDRESS:MODE	ADDR7
TRIGGER:A:BUS:B4:I2C:ADDRESS:TYPE	USER
TRIGGER:A:BUS:B4:I2C:ADDRESS:VALUE	"XXXXXXX"
TRIGGER:A:BUS:B4:I2C:CONDITION	START
TRIGGER:A:BUS:B4:I2C:DATA:DIRECTION	NO CARE
TRIGGER:A:BUS:B4:I2C:DATA:SIZE	1
TRIGGER:A:BUS:B4:I2C:DATA:START	0.0E+0
TRIGGER:A:BUS:B4:I2C:DATA:VALUE	"XXXXXXX"
TRIGGER:A:BUS:B4:LIN:CONDITION	SYNCFIELD
TRIGGER:A:BUS:B4:LIN:DATA:HIVALUE	"XXXXXXX"
TRIGGER:A:BUS:B4:LIN:DATA:QUALIFIER	EQUAL
TRIGGER:A:BUS:B4:LIN:DATA:SIZE	1
TRIGGER:A:BUS:B4:LIN:DATA:VALUE	"XXXXXXX"
TRIGGER:A:BUS:B4:LIN:ERRTYPE	SYNC
TRIGGER:A:BUS:B4:LIN:IDENTIFIER:VALUE	"XXXXXX"

Table C-1: Default Values (cont.)

Item	Description
TRIGGER:A:BUS:B4:MIL1553B:COMMAND:ADDRESS:HIVALUE	"XXXXX"
TRIGGER:A:BUS:B4:MIL1553B:COMMAND:ADDRESS:QUALIFIER	EQUAL
TRIGGER:A:BUS:B4:MIL1553B:COMMAND:ADDRESS:VALUE	"XXXXX"
TRIGGER:A:BUS:B4:MIL1553B:COMMAND:COUNT	"XXXXX"
TRIGGER:A:BUS:B4:MIL1553B:COMMAND:PARITY	X
TRIGGER:A:BUS:B4:MIL1553B:COMMAND:SUBADDRESS	"XXXXX"
TRIGGER:A:BUS:B4:MIL1553B:COMMAND:TRBIT	X
TRIGGER:A:BUS:B4:MIL1553B:CONDITION	SYNC
TRIGGER:A:BUS:B4:MIL1553B:DATA:PARITY	X
TRIGGER:A:BUS:B4:MIL1553B:DATA:VALUE	"XXXXXXXXXXXXXXXXXX"
TRIGGER:A:BUS:B4:MIL1553B:ERRTYPE	PARITY
TRIGGER:A:BUS:B4:MIL1553B:STATUS:ADDRESS:HIVALUE	"XXXXX"
TRIGGER:A:BUS:B4:MIL1553B:STATUS:ADDRESS:QUALIFIER	EQUAL
TRIGGER:A:BUS:B4:MIL1553B:STATUS:ADDRESS:VALUE	"XXXXX"
TRIGGER:A:BUS:B4:MIL1553B:STATUS:BIT:BCR	X
TRIGGER:A:BUS:B4:MIL1553B:STATUS:BIT:BUSY	X
TRIGGER:A:BUS:B4:MIL1553B:STATUS:BIT:DBCA	X
TRIGGER:A:BUS:B4:MIL1553B:STATUS:BIT:INSTR	X
TRIGGER:A:BUS:B4:MIL1553B:STATUS:BIT:ME	X
TRIGGER:A:BUS:B4:MIL1553B:STATUS:BIT:SRQ	X
TRIGGER:A:BUS:B4:MIL1553B:STATUS:BIT:SBSF	X
TRIGGER:A:BUS:B4:MIL1553B:STATUS:BIT:TF	X
TRIGGER:A:BUS:B4:MIL1553B:STATUS:PARITY	X
TRIGGER:A:BUS:B4:MIL1553B:TIME:LESSLIMIT	4.0000E-6
TRIGGER:A:BUS:B4:MIL1553B:TIME:MORELIMIT	12.0000E-6
TRIGGER:A:BUS:B4:MIL1553B:TIME:QUALIFIER	MORETHAN
TRIGGER:A:BUS:B4:PARALLEL:VALUE	"XXXXXXXXXXXXXXXXXX"
TRIGGER:A:BUS:B4:RS232C:CONDITION	TXSTART
TRIGGER:A:BUS:B4:RS232C:RX:DATA:SIZE	1
TRIGGER:A:BUS:B4:RS232C:RX:DATA:VALUE	"XXXXXXXX"
TRIGGER:A:BUS:B4:RS232C:TX:DATA:SIZE	1
TRIGGER:A:BUS:B4:RS232C:TX:DATA:VALUE	"XXXXXXXX"
TRIGGER:A:BUS:B4:SPI:CONDITION	SS
TRIGGER:A:BUS:B4:SPI:DATA:IN:VALUE	"XXXXXXXX"
TRIGGER:A:BUS:B4:SPI:DATA:OUT:VALUE	"XXXXXXXX"
TRIGGER:A:BUS:B4:SPI:DATA:SIZE	1
TRIGGER:A:BUS:B4:SPI:DATA:START	0.0E+0

Table C-1: Default Values (cont.)

Item	Description
TRIGGER:A:BUS:B4:USB:ADDRESS:HIVALUE	"XXXXXXXX"
TRIGGER:A:BUS:B4:USB:ADDRESS:VALUE	"XXXXXXXX"
TRIGGER:A:BUS:B4:USB:CONDITION	SYNC
TRIGGER:A:BUS:B4:USB:DATA:HIVALUE	"XXXXXXXXXX"
TRIGGER:A:BUS:B4:USB:DATA:OFFSET	-1
TRIGGER:A:BUS:B4:USB:DATA:SIZE	1
TRIGGER:A:BUS:B4:USB:DATA:TYPE	ANY
TRIGGER:A:BUS:B4:USB:DATA:VALUE	"XXXXXXXXXX"
TRIGGER:A:BUS:B4:USB:ENDPOINT:VALUE	"XXXX"
TRIGGER:A:BUS:B4:USB:ERRTYPE	PID
TRIGGER:A:BUS:B4:USB:HANDSHAKETYPE	ANY
TRIGGER:A:BUS:B4:USB:QUALIFIER	EQUAL
TRIGGER:A:BUS:B4:USB:SOFFRAMENUMBER	"XXXXXXXXXXXX"
TRIGGER:A:BUS:B4:USB:SPECIALTYPE	ANY
TRIGGER:A:BUS:B4:USB:SPLIT:ET:VALUE	NOCARE
TRIGGER:A:BUS:B4:USB:SPLIT:HUB:VALUE	"XXXXXXXX"
TRIGGER:A:BUS:B4:USB:SPLIT:PORT:VALUE	"XXXXXXXX"
TRIGGER:A:BUS:B4:USB:SPLIT:SC:VALUE	NOCARE
TRIGGER:A:BUS:B4:USB:SPLIT:SE:VALUE	NOCARE
TRIGGER:A:BUS:B4:USB:TOKENTYPE	ANY
TRIGGER:A:BUS:SOURCE	B1
TRIGGER:A:EDGE:COUPLING	DC
TRIGGER:A:EDGE:SLOPE	RISE
TRIGGER:A:EDGE:SOURCE	CH1
TRIGGER:A:HOLDOFF:TIME	20.0000E-9
TRIGGER:A:LEVEL	0.0E+0
TRIGGER:A:LEVEL:CH1	0.0E+0
TRIGGER:A:LEVEL:CH2	0.0E+0
TRIGGER:A:LEVEL:CH3	0.0E+0
TRIGGER:A:LEVEL:CH4	0.0E+0
TRIGGER:A:LEVEL:D0	1.4000
TRIGGER:A:LEVEL:D1	1.4000
TRIGGER:A:LEVEL:D10	1.4000
TRIGGER:A:LEVEL:D11	1.4000
TRIGGER:A:LEVEL:D12	1.4000
TRIGGER:A:LEVEL:D13	1.4000
TRIGGER:A:LEVEL:D14	1.4000

Table C-1: Default Values (cont.)

Item	Description
TRIGGER:A:LEVEL:D15	1.4000
TRIGGER:A:LEVEL:D2	1.4000
TRIGGER:A:LEVEL:D3	1.4000
TRIGGER:A:LEVEL:D4	1.4000
TRIGGER:A:LEVEL:D5	1.4000
TRIGGER:A:LEVEL:D6	1.4000
TRIGGER:A:LEVEL:D7	1.4000
TRIGGER:A:LEVEL:D8	1.4000
TRIGGER:A:LEVEL:D9	1.4000
TRIGGER:A:LOGIC:CLASS	LOGIC
TRIGGER:A:LOGIC:FUNCTION	AND
TRIGGER:A:LOGIC:INPUT:CH1	X
TRIGGER:A:LOGIC:INPUT:CH2	X
TRIGGER:A:LOGIC:INPUT:CH3	X
TRIGGER:A:LOGIC:INPUT:CH4	X
TRIGGER:A:LOGIC:INPUT:CLOCK:EDGE	RISE
TRIGGER:A:LOGIC:INPUT:CLOCK:SOURCE	NONE
TRIGGER:A:LOGIC:INPUT:D0	X
TRIGGER:A:LOGIC:INPUT:D1	X
TRIGGER:A:LOGIC:INPUT:D10	X
TRIGGER:A:LOGIC:INPUT:D11	X
TRIGGER:A:LOGIC:INPUT:D12	X
TRIGGER:A:LOGIC:INPUT:D13	X
TRIGGER:A:LOGIC:INPUT:D14	X
TRIGGER:A:LOGIC:INPUT:D15	X
TRIGGER:A:LOGIC:INPUT:D2	X
TRIGGER:A:LOGIC:INPUT:D3	X
TRIGGER:A:LOGIC:INPUT:D4	X
TRIGGER:A:LOGIC:INPUT:D5	X
TRIGGER:A:LOGIC:INPUT:D6	X
TRIGGER:A:LOGIC:INPUT:D7	X
TRIGGER:A:LOGIC:INPUT:D8	X
TRIGGER:A:LOGIC:INPUT:D9	X
TRIGGER:A:LOGIC:INPUT:RF	X
TRIGGER:A:LOGIC:PATTERN:DELTATIME	8.0000E-9
TRIGGER:A:LOGIC:PATTERN:WHEN	TRUE
TRIGGER:A:LOGIC:PATTERN:WHEN:LESSLIMIT	8.0000E-9

Table C-1: Default Values (cont.)

Item	Description
TRIGGER:A:LOGIC:PATTERN:WHEN:MORELIMIT	8.0000E-9
TRIGGER:A:LOGIC:THRESHOLD:CH1	0.0E+0
TRIGGER:A:LOGIC:THRESHOLD:CH2	0.0E+0
TRIGGER:A:LOGIC:THRESHOLD:CH3	0.0E+0
TRIGGER:A:LOGIC:THRESHOLD:CH4	0.0E+0
TRIGGER:A:LOGIC:THRESHOLD:D0	1.4000
TRIGGER:A:LOGIC:THRESHOLD:D1	1.4000
TRIGGER:A:LOGIC:THRESHOLD:D10	1.4000
TRIGGER:A:LOGIC:THRESHOLD:D11	1.4000
TRIGGER:A:LOGIC:THRESHOLD:D12	1.4000
TRIGGER:A:LOGIC:THRESHOLD:D13	1.4000
TRIGGER:A:LOGIC:THRESHOLD:D14	1.4000
TRIGGER:A:LOGIC:THRESHOLD:D15	1.4000
TRIGGER:A:LOGIC:THRESHOLD:D2	1.4000
TRIGGER:A:LOGIC:THRESHOLD:D3	1.4000
TRIGGER:A:LOGIC:THRESHOLD:D4	1.4000
TRIGGER:A:LOGIC:THRESHOLD:D5	1.4000
TRIGGER:A:LOGIC:THRESHOLD:D6	1.4000
TRIGGER:A:LOGIC:THRESHOLD:D7	1.4000
TRIGGER:A:LOGIC:THRESHOLD:D8	1.4000
TRIGGER:A:LOGIC:THRESHOLD:D9	1.4000
TRIGGER:A:LOGIC:THRESHOLD:RF	-30.0000
TRIGGER:A:LOWERTHRESHOLD:CH1	0.0E+0
TRIGGER:A:LOWERTHRESHOLD:CH2	0.0E+0
TRIGGER:A:LOWERTHRESHOLD:CH3	0.0E+0
TRIGGER:A:LOWERTHRESHOLD:CH4	0.0E+0
TRIGGER:A:LOWERTHRESHOLD:D0	1.4000
TRIGGER:A:LOWERTHRESHOLD:D1	1.4000
TRIGGER:A:LOWERTHRESHOLD:D10	1.4000
TRIGGER:A:LOWERTHRESHOLD:D11	1.4000
TRIGGER:A:LOWERTHRESHOLD:D12	1.4000
TRIGGER:A:LOWERTHRESHOLD:D13	1.4000
TRIGGER:A:LOWERTHRESHOLD:D14	1.4000
TRIGGER:A:LOWERTHRESHOLD:D15	1.4000
TRIGGER:A:LOWERTHRESHOLD:D2	1.4000
TRIGGER:A:LOWERTHRESHOLD:D3	1.4000
TRIGGER:A:LOWERTHRESHOLD:D4	1.4000

Table C-1: Default Values (cont.)

Item	Description
TRIGGER:A:LOWERTHRESHOLD:D5	1.4000
TRIGGER:A:LOWERTHRESHOLD:D6	1.4000
TRIGGER:A:LOWERTHRESHOLD:D7	1.4000
TRIGGER:A:LOWERTHRESHOLD:D8	1.4000
TRIGGER:A:LOWERTHRESHOLD:D9	1.4000
TRIGGER:A:LOWERTHRESHOLD:RF	-30.0000
TRIGGER:A:MODE	AUTO
TRIGGER:A:PULSE:CLASS	WIDTH
TRIGGER:A:PULSEWIDTH:HIGHLIMIT	12.0000E-9
TRIGGER:A:PULSEWIDTH:LOWLIMIT	8.0000E-9
TRIGGER:A:PULSEWIDTH:POLARITY	POSITIVE
TRIGGER:A:PULSEWIDTH:WHEN	LESSTHAN
TRIGGER:A:PULSEWIDTH:WIDTH	8.0000E-9
TRIGGER:A:RUNT:POLARITY	POSITIVE
TRIGGER:A:RUNT:WHEN	OCCURS
TRIGGER:A:RUNT:WIDTH	8.0000E-9
TRIGGER:A:SETHOLD:CLOCK:EDGE	RISE
TRIGGER:A:SETHOLD:CLOCK:SOURCE	CH1
TRIGGER:A:SETHOLD:CLOCK:THRESHOLD	0.0E+0
TRIGGER:A:SETHOLD:DATA:SOURCE	NONE
TRIGGER:A:SETHOLD:DATA:THRESHOLD	9.9100E+37
TRIGGER:A:SETHOLD:HOLDTIME	8.0000E-9
TRIGGER:A:SETHOLD:SETTIME	8.0000E-9
TRIGGER:A:SETHOLD:THRESHOLD:CH1	0.0E+0
TRIGGER:A:SETHOLD:THRESHOLD:CH2	0.0E+0
TRIGGER:A:SETHOLD:THRESHOLD:CH3	0.0E+0
TRIGGER:A:SETHOLD:THRESHOLD:CH4	0.0E+0
TRIGGER:A:SETHOLD:THRESHOLD:D0	1.4000
TRIGGER:A:SETHOLD:THRESHOLD:D1	1.4000
TRIGGER:A:SETHOLD:THRESHOLD:D10	1.4000
TRIGGER:A:SETHOLD:THRESHOLD:D11	1.4000
TRIGGER:A:SETHOLD:THRESHOLD:D12	1.4000
TRIGGER:A:SETHOLD:THRESHOLD:D13	1.4000
TRIGGER:A:SETHOLD:THRESHOLD:D14	1.4000
TRIGGER:A:SETHOLD:THRESHOLD:D15	1.4000
TRIGGER:A:SETHOLD:THRESHOLD:D2	1.4000
TRIGGER:A:SETHOLD:THRESHOLD:D3	1.4000

Table C-1: Default Values (cont.)

Item	Description
TRIGGER:A:SETHOLD:THRESHOLD:D4	1.4000
TRIGGER:A:SETHOLD:THRESHOLD:D5	1.4000
TRIGGER:A:SETHOLD:THRESHOLD:D6	1.4000
TRIGGER:A:SETHOLD:THRESHOLD:D7	1.4000
TRIGGER:A:SETHOLD:THRESHOLD:D8	1.4000
TRIGGER:A:SETHOLD:THRESHOLD:D9	1.4000
TRIGGER:A:TIMEOUT:POLARITY	STAYSHIGH
TRIGGER:A:TIMEOUT:TIME	8.0000E-9
TRIGGER:A:TRANSITION:DELTATIME	8.0000E-9
TRIGGER:A:TRANSITION:POLARITY	POSITIVE
TRIGGER:A:TRANSITION:WHEN	SLOWER
TRIGGER:A:TYPE	EDGE
TRIGGER:A:UPPERTHRESHOLD:CH1	1.4000
TRIGGER:A:UPPERTHRESHOLD:CH2	800.0000E-3
TRIGGER:A:UPPERTHRESHOLD:CH3	800.0000E-3
TRIGGER:A:UPPERTHRESHOLD:CH4	800.0000E-3
TRIGGER:A:UPPERTHRESHOLD:RF	-10.0000
TRIGGER:A:VIDEO:CUSTOM:FORMAT	PROGRESSIVE
TRIGGER:A:VIDEO:CUSTOM:LINEPERIOD	63.5600E-6
TRIGGER:A:VIDEO:CUSTOM:SYNCINTERVAL	4.7200E-6
TRIGGER:A:VIDEO:HOLDOFF:FIELD	0.0E+0
TRIGGER:A:VIDEO:LINE	1
TRIGGER:A:VIDEO:POLARITY	POSITIVE
TRIGGER:A:VIDEO:STANDARD	NTSC
TRIGGER:A:VIDEO:SYNC	ALLLINES
TRIGGER:B:BY	TIME
TRIGGER:B:EDGE:COUPLING	DC
TRIGGER:B:EDGE:SLOPE	RISE
TRIGGER:B:EDGE:SOURCE	CH1
TRIGGER:B:EVENTS:COUNT	1
TRIGGER:B:LEVEL	0.0E+0
TRIGGER:B:LEVEL:CH1	0.0E+0
TRIGGER:B:LEVEL:CH2	0.0E+0
TRIGGER:B:LEVEL:CH3	0.0E+0
TRIGGER:B:LEVEL:CH4	0.0E+0
TRIGGER:B:LEVEL:D0	1.4000
TRIGGER:B:LEVEL:D1	1.4000

Table C-1: Default Values (cont.)

Item	Description
TRIGGER:B:LEVEL:D10	1.4000
TRIGGER:B:LEVEL:D11	1.4000
TRIGGER:B:LEVEL:D12	1.4000
TRIGGER:B:LEVEL:D13	1.4000
TRIGGER:B:LEVEL:D14	1.4000
TRIGGER:B:LEVEL:D15	1.4000
TRIGGER:B:LEVEL:D2	1.4000
TRIGGER:B:LEVEL:D3	1.4000
TRIGGER:B:LEVEL:D4	1.4000
TRIGGER:B:LEVEL:D5	1.4000
TRIGGER:B:LEVEL:D6	1.4000
TRIGGER:B:LEVEL:D7	1.4000
TRIGGER:B:LEVEL:D8	1.4000
TRIGGER:B:LEVEL:D9	1.4000
TRIGGER:B:LOWERTHRESHOLD:CH1	0.0E+0
TRIGGER:B:LOWERTHRESHOLD:CH2	0.0E+0
TRIGGER:B:LOWERTHRESHOLD:CH3	0.0E+0
TRIGGER:B:LOWERTHRESHOLD:CH4	0.0E+0
TRIGGER:B:LOWERTHRESHOLD:D0	1.4000
TRIGGER:B:LOWERTHRESHOLD:D1	1.4000
TRIGGER:B:LOWERTHRESHOLD:D10	1.4000
TRIGGER:B:LOWERTHRESHOLD:D11	1.4000
TRIGGER:B:LOWERTHRESHOLD:D12	1.4000
TRIGGER:B:LOWERTHRESHOLD:D13	1.4000
TRIGGER:B:LOWERTHRESHOLD:D14	1.4000
TRIGGER:B:LOWERTHRESHOLD:D15	1.4000
TRIGGER:B:LOWERTHRESHOLD:D2	1.4000
TRIGGER:B:LOWERTHRESHOLD:D3	1.4000
TRIGGER:B:LOWERTHRESHOLD:D4	1.4000
TRIGGER:B:LOWERTHRESHOLD:D5	1.4000
TRIGGER:B:LOWERTHRESHOLD:D6	1.4000
TRIGGER:B:LOWERTHRESHOLD:D7	1.4000
TRIGGER:B:LOWERTHRESHOLD:D8	1.4000
TRIGGER:B:LOWERTHRESHOLD:D9	1.4000
TRIGGER:B:STATE	0
TRIGGER:B:TIME	8.0000E-9
TRIGGER:B:TYPE	EDGE

Table C-1: Default Values (cont.)

Item	Description
VERBOSE	1
ZOOM:MODE	0
ZOOM:ZOOM1:POSITION	50.0000
ZOOM:ZOOM1:SCALE	4.0000E-6
ZOOM:ZOOM1:STATE	0

Appendix D: Waveform Transfer (WFMOutpre and CURVe Query) Examples

Here are several examples of command sequences using the WFMOutpre? and CURVe? queries to transfer data from the oscilloscope to a PC, with different data sources, including Analog, Digital, Digital Collection, and RF frequency domain waveforms. Each command sequence example is followed by an explanation of the returned WFMOutpre? results. The WFMOutpre? values act as settings that apply to the CURVe query data being transferred.

NOTE. *In order to guarantee that the waveform data returned from CURVe? queries of multiple waveforms are correlated to the same acquisition, you should use single sequence acquisition mode to acquire the waveform data from a single acquisition. Single sequence acquisition mode is enabled using [ACQUIRE:STOPAfter SEQUENCE](#).*

Example 1: Analog Waveform (Channels 1–4)

Goal: Transfer 10,000 points of analog channel waveform data from the oscilloscope to a PC.

Command	Comment
:DATA:SOURce CH1	
:DATA:START 1	
:DATA:STOP 10000	
:WFMOutpre:ENCdg BINARY	
:WFMOutpre:BYT_Nr 1	
:HEADer 1	
:WFMOutpre?	Returns the following values. Each value represents the current settings that a CURVe? query will use to format the data that will be transferred from the oscilloscope to a PC or other device (see next table for explanations): :WFMOUTPRE:BYT_NR 1;BIT_NR 8;ENCDG BINARY;BN_FMT RI;BYT_OR MSB;WFID "Ch1, DC coupling, 100.0mV/div, 4.000us/div, 10000 points, Sample mode";NR_PT 10000;PT_FMT Y;PT_ORDER LINEAR;XUNIT "s";XINCR 4.0000E-9;XZERO -20.0000E-6;PT_OFF 0;YUNIT "V";YMULT 4.0000E-3;YOFF 0.0E+0;YZERO 0.0E+0
:CURVe?	Returns 10,000 data points: :CURVe #510000<10,000 binary bytes of waveform data.>

NOTE. *You can also use the WAVFrm? query, which concatenates the WFMOutpre? and CURVe? queries.*

WFMOupre? Query results	Explanation
BYT_NR 1	This value specifies the number of bytes per data point in the waveform data. To change this value automatically, use the WFMOupre:BYT_Nr command. Note that changing this value automatically changes the BIT_NR value accordingly. (This value can also be set using the DATA:WIDTH command.)
BIT_NR 8	This value specifies the number of bits per data point in the waveform data. To change this value, use the WFMOupre:BIT_Nr command. Note that changing this value automatically changes the BYT_NR value accordingly.
ENCDG BINARY	This value specifies the encoding of the waveform data. To change this value (the other possibility is ASCii), use the WFMOupre:ENCDg command. (This value can also be set using the DATA:ENCDg command, which provides the ability to set the WFMOupre:ENCDg , WFMOupre:BN_Fmt , and WFMOupre:BYT_Or values using a single command.)
BN_FMT RI	This value specifies the binary format, which in this case is RI (signed integer). To change this value (the other possibility is RP or positive integer), use the WFMOupre:BN_Fmt command. Note: this field is not applicable for ASCii encoding.
BYT_OR MSB	This value specifies the byte order for the BINARY encoding, which in this case is MSB (most significant byte first). To change this value to LSB, use the WFMOupre:BYT_Or command. Note: this field is not applicable for ASCii encoding.
WFID "Ch1, DC coupling, 100.0mv/div, 4.000us/div, 10000 points, Sample mode"	This quoted string represents information about the source waveform that would be returned by a WFMOupre:WFid? query.
NR_PT 10000	This value indicates the number of data points in the waveform record to be transferred using the CURVE? query. (If you would like to determine only this value, use the WFMOupre:NR_PT? query.) Note: this value is typically equal to the full record length, but you also have the option to transfer only a portion of the record length by using the DATA:START and DATA:STOP commands.
PT_FMT Y	This value indicates the format of the data points in the waveform record. In this case, the value represents YT format. This is query only – the returned values can be Y for YT format or ENV for envelope format (min/max pairs). (If you would like to determine only this value, use the WFMOupre:PT_Fmt? query.)
PT_ORDER LINEAR	This value is always LINEar.
XUNIT "s"	This value indicates the units of the x-axis of the waveform record. This is determined by the horizontal settings for the waveform source. Typically, this value is "s", representing seconds. When using the math waveform as a source, the value can be "s" or "Hz". This is query only. (If you would like to determine only this value, use the WFMOupre:XUNIT? query.)
XINCR 4.0000E-9	This value indicates the time, in seconds, or frequency, in hertz, between data points in the waveform record. This is query only. (If you would like to determine only this value, use the WFMOupre:XINcr? query.)
XZERO -20.0000E-6	This value indicates the time, in seconds, or frequency, in hertz, of the first data point in the waveform record. This time or frequency is relative to the time of the trigger, which is always 0. So, this XZEro time or frequency can be negative. This is query only. (If you would like to determine only this value, use the WFMOupre:XZEro? query.)
PT_OFF 0	This is a query provided only for compatibility with performance oscilloscopes. The returned value is always 0. (If you would like to determine only this value, use the WFMOupre:PT_Off? query.)

WFMOUtpre? Query results	Explanation
YUNIT "V"	This value indicates the vertical units of data points in the waveform record. This can be any of several string values, depending upon the vertical units of the source waveform – in this case, volts. This is query only. (If you would like to determine only this value, use the WFMOUtpre:YUNit? query.)
YMULT 4.0000E-3	This value indicates the multiplying factor to convert the data point values from digitizing levels to the units specified by the <code>WFMOUtpre:YUNit</code> command. This is query only. (If you would like to determine only this value, use the WFMOUtpre:YMUlt? query.)
YOFF 0.0E+0	This value indicates the vertical position of the source waveform in digitizing levels. There are 25 digitizing levels per vertical division. This is query only. (If you would like to determine only this value, use the WFMOUtpre:YOFf? query.)
YZERO 0.0E+0	This value indicates the vertical offset of the source waveform in units specified by the <code>WFMOUtpre:YUNit</code> command. This is query only. (If you would like to determine only this value, use the WFMOUtpre:YZero? query.)

Example 2: Digital Waveform (Channels DO-D15)

Goal: Transfer 25 points of digital channel waveform data from the oscilloscope to a PC.

Command	Comment
:DATA:SOURce D5	
:DATA:START 1	
:DATA:STOP 25	
:WFMOUtpre:ENCdg ASCii	
:WFMOUtpre:BYT_Nr 1	
:HEADer 1	
:VERBose 1	
:WFMOUtpre?	Returns the following values. Each value represents the current settings that a <code>CURVe?</code> query will use to format the data that will be transferred from the oscilloscope to a PC or other device (see next table for explanations): :WFMOUtpre:BYT_Nr 1;BIT_Nr 8;ENCdg ASCII;BN_FMT RI;BYT_OR MSB;WFID "D5, unknown coupling, 100.0us/div, 10000 points, Digitalmode";NR_PT 25;PT_FMT Y;PT_ORDER LINEAR;XUNIT "s";XINCR 100.0000E-9;XZERO -500.0000E-6;PT_OFF 0;YUNIT "State";YMULT 1.0000;YOFF 0.0E+0;YZERO 0.0E+0
:CURVe?	Returns the following values. Each value represents a data point: :CURVe 0,1,0,0,0,0,0,0,0,0

NOTE. You can also use the `WAVFrm?` query, which concatenates the `WFMOUtpre?` and `CURVe?` queries.

WFMOupre? Query results	Explanation
WFMOUPRE:BYT_NR 1	This value specifies the number of bytes per data point in the waveform data. To change this value automatically, use the WFMOupre:BYT_Nr command. Note that changing this value automatically changes the BIT_NR value accordingly. (This value can also be set using the DATA:WIDTH command.)
BIT_NR 8	This value specifies the number of bits per data point in the waveform data. To change this value, use the WFMOupre:BIT_Nr command. Note that changing this value automatically changes the BYT_NR value accordingly.
ENCDG ASCII	This value specifies the encoding of the waveform data. To change this value (the other possibility is BINARY), use the WFMOupre:ENCDg command. (This value can also be set using the DATA:ENCDg command, which provides the ability to set the WFMOupre:ENCDg , WFMOupre:BN_Fmt , and WFMOupre:BYT_Or values using a single command.)
BN_FMT RI	This value specifies the binary format, which in this case is RI (signed integer). To change this value (the other possibility is RP or positive integer), use the WFMOupre:BN_Fmt command. Note: this field is not applicable for ASCII encoding.
BYT_OR MSB	This value specifies the byte order for the BINARY encoding, which in this case is MSB (most significant byte first, also known as IBM format). To change this value to LSB, use the WFMOupre:BYT_Or command. Note: this field is not applicable for ASCII encoding.
WFID "D5, unknown coupling, 100.0us/div, 10000 points, Digital mode"	This quoted string represents information about the source waveform that would be returned by a WFMOupre:WFID? query. It cannot be changed.
NR_PT 25	This value indicates the number of data points in the waveform record to be transferred using the CURVE? query. (If you would like to determine only this value, use the WFMOupre:NR_Pt? query.) Note: this value is typically equal to the full record length, but you also have the option to transfer only a portion of the record length by using the DATA:STARt and DATA:STOP commands.
PT_FMT Y	This value indicates the format of the data points in the waveform record. In this case, the value represents YT format. This is query only. (If you would like to determine only this value, use the WFMOupre:PT_Fmt? query.)
PT_ORDER LINEAR	This value is always LINEar.
XUNIT "s"	This value indicates the units of the x-axis of the waveform record. This is determined by the horizontal settings for the waveform source. Typically, this value is "s", representing seconds. When using the math waveform as a source, the value can be "s" or "Hz". This is query only. (If you would like to determine only this value, use the WFMOupre:XUNIT? query.)
XINCR 100.0000E-9	This value indicates the time, in seconds, or frequency, in hertz, between data points in the waveform record. This is query only. (If you would like to determine only this value, use the WFMOupre:XINcr? query.)
XZERO -500.0000E-6	This value indicates the time, in seconds, or frequency, in hertz, of the first data point in the waveform record. This time or frequency is relative to the time of the trigger, which is always 0. So, this XZEro time or frequency can be negative. This is query only. (If you would like to determine only this value, use the WFMOupre:XZEro? query.)
PT_OFF 0	This is a query provided only for compatibility with other Tektronix oscilloscopes. The returned value is always 0. (If you would like to determine only this value, use the WFMOupre:PT_Off? query.)

WFMOUtpre? Query results	Explanation
YUNIT "State"	This value indicates the vertical units of data points in the waveform record. This can be any of several string values, depending upon the vertical units of the source waveform – in this case, State. This is query only. (If you would like to determine only this value, use the WFMOUtpre:YUNit? query.)
YMULT 1.0000	This value indicates the multiplying factor to convert the data point values from digitizing levels to the units specified by the <code>WFMOUtpre:YUNit</code> command. This is query only. (If you would like to determine only this value, use the WFMOUtpre:YMUlt? query.)
YOFF 0.0E+0	This value indicates the vertical position of the source waveform in digitizing levels. There are 25 digitizing levels per vertical division. This is query only. (If you would like to determine only this value, use the WFMOUtpre:YOFF? query.)
YZERO 0.0E+0	This value indicates the vertical offset of the source waveform in units specified by the <code>WFMOUtpre:YUNit</code> command. This is query only. (If you would like to determine only this value, use the WFMOUtpre:YZero? query.)

Example 3: The Digital Collection with 4 Bytes Per Point and MagniVu Off

Goal: Transfer 25 points of Digital Collection data from the oscilloscope to a PC using 4 bytes per point and MagniVu off.

Command	Comment
<code>:DATA:SOURCE DIGital</code>	
<code>:ACQuire:MAGnivu 0</code>	
<code>:DATA:START 1</code>	
<code>:DATA:STOP 25</code>	
<code>:WFMOUtpre:ENCdg ASCii</code>	
<code>:WFMOUtpre:BYT_Nr 4</code>	
<code>:HEADer 1</code>	
<code>:VERBose 1</code>	
<code>:WFMOUtpre?</code>	Returns the following values. Each value represents the current settings that a <code>CURVe?</code> query will use to format the data that will be transferred from the oscilloscope to a PC or other device (see next table for explanations): <code>:WFMOUtpre:BYT_Nr 4;BIT_Nr 32;ENCdg ASCII;BN_FMT RI;BYT_OR MSB;WFID "Digital, unknown coupling, 100.0us/div, 10000 points, Digital mode";NR_PT 25;PT_FMT Y;PT_ORDER LINEAR;XUNIT "s";XINCR 100.0000E-9;XZERO -500.0000E-6;PT_OFF 0;YUNIT "State";YMULT 1.0000;YOFF 0.0E+0;YZERO 0.0E+0</code>
<code>:CURVe?</code>	Returns the following values. Each value represents a data point: <code>:CURVe FB386,FB366,FB3E6,FB366,FB3E6,FB32E,FB3A2,FB32E,FB3AA,FB366, FB3EA,FB366,FB3E2,FB36,FB3E6,FB366,FB3E6,FB346,FB3C6,FB346,FB3C6, FB34E,FB3C2,FB34E,FB3CA</code>

NOTE. The returned hexadecimal data values for the Digital Collection are formatted without leading zeroes. For example, a 4-byte digital collection value of FB386 should be interpreted as 000FB386.

NOTE. You can also use the `WAVFrm?` query, which concatenates the `WFMOupre?` and `CURVe?` queries.

WFMOupre? Query results	Explanation
WFMOUPRE:BYT_NR 4	This value specifies the number of bytes per data point in the waveform data. To change this value automatically, use the <code>WFMOupre:BYT_Nr</code> command. Note that changing this value automatically changes the <code>BIT_NR</code> value accordingly. (This value can also be set using the <code>DATA:WIDTH</code> command.)
BIT_NR 32	This value specifies the number of bits per data point in the waveform data. To change this value, use the <code>WFMOupre:BIT_Nr</code> command. Note that changing this value automatically changes the <code>BYT_NR</code> value accordingly.
ENCDG ASCII	This value specifies the encoding of the waveform data. To change this value (the other possibility is BINARY), use the <code>WFMOupre:ENCdg</code> command. (This value can also be set using the <code>DATA:ENCdg</code> command, which provides the ability to set the <code>WFMOupre:ENCdg</code> , <code>WFMOupre:BN_Fmt,</code> and <code>WFMOupre:BYT_Or</code> values using a single command.)
BN_FMT RI	This value specifies the binary format, which in this case is RI (signed integer). To change this value (the other possibility is RP or positive integer), use the <code>WFMOupre:BN_Fmt</code> command. Note: this field is not applicable for ASCII encoding.
BYT_OR MSB	This value specifies the byte order for the BINARY encoding, which in this case is MSB (most significant byte first, also known as IBM format). To change this value to LSB, use the <code>WFMOupre:BYT_Or</code> command. Note: this field is not applicable for ASCII encoding.
WFID "Digital, unknown coupling, 100.0us/div, 10000 points, Digital mode"	This quoted string represents information about the source waveform that would be returned by a <code>WFMOupre:WFid?</code> query. It cannot be changed.
NR_PT 25	This value indicates the number of data points in the waveform record to be transferred using the <code>CURVe?</code> query. (If you would like to determine only this value, use the <code>WFMOupre:NR_Pt?</code> query.) Note: this value is typically equal to the full record length, but you also have the option to transfer only a portion of the record length by using the <code>DATA:STARt</code> and <code>DATA:STOP</code> commands.
PT_FMT Y	This value indicates the format of the data points in the waveform record. In this case, the value represents YT format. This is query only – the returned values can be Y for YT format or ENV for envelope format (min/max pairs). (If you would like to determine only this value, use the <code>WFMOupre:PT_Fmt?</code> query.)
PT_ORDER LINEAR	This value is always <code>LINEar</code> .
XUNIT "s"	This value indicates the units of the x-axis of the waveform record. This is determined by the horizontal settings for the waveform source. For live channels, this value is "s", representing seconds. When using the math waveform as a source, the value can be "s" or "Hz". This is query only. (If you would like to determine only this value, use the <code>WFMOupre:XUNit?</code> query.)

WFMOUtpre? Query results	Explanation
XINCR 100.0000E-9	This value indicates the time, in seconds, or frequency, in hertz, between data points in the waveform record. This is query only. (If you would like to determine only this value, use the WFMOUtpre:XINcr? query.)
XZERO -500.0000E-6	This value indicates the time, in seconds, or frequency, in hertz, of the first data point in the waveform record. This time or frequency is relative to the time of the trigger, which is always 0. So, this XZEro time or frequency can be negative. This is query only. (If you would like to determine only this value, use the WFMOUtpre:XZEro? query.)
PT_OFF 0	This is a query provided only for compatibility with performance oscilloscopes. The returned value is always 0. (If you would like to determine only this value, use the WFMOUtpre:PT_Off? query.)
YUNIT "State"	This value indicates the vertical units of data points in the waveform record. This can be any of several string values, depending upon the vertical units of the source waveform – in this case, State. This is query only. (If you would like to determine only this value, use the WFMOUtpre:YUNit? query.)
YMULT 1.0000	This value indicates the multiplying factor to convert the data point values from digitizing levels to the units specified by the <code>WFMOUtpre:YUNit</code> command. This is query only. (If you would like to determine only this value, use the WFMOUtpre:YMUIt? query.)
YOFF 0.0E+0	This value indicates the vertical position of the source waveform in digitizing levels. There are 25 digitizing levels per vertical division. This is query only. (If you would like to determine only this value, use the WFMOUtpre:YOff? query.)
YZERO 0.0E+0	This value indicates the vertical offset of the source waveform in units specified by the <code>WFMOUtpre:YUNit</code> command. This is query only. (If you would like to determine only this value, use the WFMOUtpre:YZEro? query.)

Example 4: The Digital Collection with 8 Bytes Per Point and MagniVu Off

Goal: Transfer 25 points of Digital Collection data from the oscilloscope to a PC using 8 bytes per point and MagniVu off.

Command	Comment
<code>:DATA:SOURce DIGital</code>	
<code>:ACQuire:MAGnivu 0</code>	
<code>:DATA:START 1</code>	
<code>:DATA:STOP 25</code>	
<code>:WFMOUtpre:ENCdg ASCii</code>	
<code>:WFMOUtpre:BYT_Nr 8</code>	
<code>:HEADer 1</code>	
<code>:VERBoSe 1</code>	

Command	Comment
:WFMOutpre?	Returns the following values. Each value represents the current settings that a CURVe? query will use to format the data that will be transferred from the oscilloscope to a PC or other device (see next table for explanations): :WFMOUTPRE:BYT_NR 8;BIT_NR 64;ENCDG ASCII;BN_FMT RI;BYT_OR MSB;WFID "Digital, unknown coupling, 100.0us/div, 10000 points, Digital mode";NR_PT 25;PT_FMT Y;PT_ORDER LINEAR;XUNIT "s";XINCR 100.0000E-9;XZERO -500.0000E-6;PT_OFF 0;YUNIT "State";YMULT 1.0000;YOFF 0.0E+0;YZERO 0.0E+0
:CURVe?	Returns the following values. Each value represents a data point: :CURVe 80000FB386, E0000FB386, 80000FB3E6, 80000FB3E6, 80000FB3E6, C8000FB3A6, 8C000FB3A6, 8C000FB3A6, 84000FB3AE, CC000FB3A6, 8C000FB3E6, 8C000FB3E6, 84000FB3E6, 80000FB3E6, 80000FB3E6, 80000FB3E6, 80000FB3E6, A0000FB3C6, 80000FB3C6, 80000FB3C6, 80000FB3C6, 88000FB3C6, 8C000FB3C6, 8C000FB3C6, 84000FB3CE

NOTE. *The returned hexadecimal data values for the Digital Collection are formatted without leading zeroes.*

NOTE. *You can also use the WAVFrm? query, which concatenates the WFMOutpre? and CURVe? queries.*

WFMOutpre? Query results	Explanation
WFMOUTPRE:BYT_NR 8	This value specifies the number of bytes per data point in the waveform data. To change this value automatically, use the WFMOutpre:BYT_Nr command. Note that changing this value automatically changes the BIT_NR value accordingly. (This value can also be set using the DATA:WIDTH command.)
BIT_NR 64	This value specifies the number of bits per data point in the waveform data. To change this value, use the WFMOutpre:BIT_Nr command. Note that changing this value automatically changes the BYT_NR value accordingly.
ENCDG ASCII	This value specifies the encoding of the waveform data. To change this value (the other possibility is BINARY), use the WFMOutpre:ENCdg command. (This value can also be set using the DATA:ENCdg command, which provides the ability to set the WFMOutpre:ENCdg, WFMOutpre:BN_Fmt, : and WFMOutpre:BYT_Or values using a single command.)
BN_FMT RI	This value specifies the binary format, which in this case is RI (signed integer). To change this value (the other possibility is RP or positive integer), use the WFMOutpre:BN_Fmt command. Note: this field is not applicable for ASCII encoding.
BYT_OR MSB	This value specifies the byte order for the BINARY encoding, which in this case is MSB (most significant byte first, also known as IBM format). To change this value to LSB, use the WFMOutpre:BYT_Or command. Note: this field is not applicable for ASCII encoding.

WFMOUtpre? Query results	Explanation
WFID "Digital, unknown coupling, 100.0us/div, 10000 points, Digital mode"	This quoted string represents information about the source waveform that would be returned by a <code>WFMOUtpre:WFID?</code> query. It cannot be changed.
NR_PT 25	This value indicates the number of data points in the waveform record to be transferred using the <code>CURVE?</code> query. (If you would like to determine only this value, use the WFMOUtpre:NR_Pt? query.) Note: this value is typically equal to the full record length, but you also have the option to transfer only a portion of the record length by using the DATA:START and DATA:STOP commands.
PT_FMT Y	This value indicates the format of the data points in the waveform record. In this case, the value represents YT format. This is query only – the returned values can be Y for YT format or ENV for envelope format (min/max pairs). (If you would like to determine only this value, use the WFMOUtpre:PT_Fmt? query.)
PT_ORDER LINEAR	This value is always <code>LINEAR</code> .
XUNIT "s"	This value indicates the units of the x-axis of the waveform record. This is determined by the horizontal settings for the waveform source. Typically, this value is "s", representing seconds. When using the math waveform as a source, the value can be "s" or "Hz". This is query only. (If you would like to determine only this value, use the WFMOUtpre:XUNIT? query.)
XINCR 100.0000E-9	This value indicates the time, in seconds, or frequency, in hertz, between data points in the waveform record. This is query only. (If you would like to determine only this value, use the WFMOUtpre:XINcr? query.)
XZERO -500.0000E-6	This value indicates the time, in seconds, or frequency, in hertz, of the first data point in the waveform record. This time or frequency is relative to the time of the trigger, which is always 0. So, this <code>XZERo</code> time or frequency can be negative. This is query only. (If you would like to determine only this value, use the WFMOUtpre:XZERo? query.)
PT_OFF 0	This is a query provided only for compatibility with other Tektronix oscilloscopes. The returned value is always 0. (If you would like to determine only this value, use the WFMOUtpre:PT_Off? query.)
YUNIT "State"	This value indicates the vertical units of data points in the waveform record. This can be any of several string values, depending upon the vertical units of the source waveform – in this case, State. This is query only. (If you would like to determine only this value, use the WFMOUtpre:YUNIT? query.)
YMULT 1.0000	This value indicates the multiplying factor to convert the data point values from digitizing levels to the units specified by the <code>WFMOUtpre:YUNIT</code> command. This is query only. (If you would like to determine only this value, use the WFMOUtpre:YMULT? query.)
YOFF 0.0E+0	This value indicates the vertical position of the source waveform in digitizing levels. There are 25 digitizing levels per vertical division. This is query only. (If you would like to determine only this value, use the WFMOUtpre:YOFF? query.)
YZERO 0.0E+0	This value indicates the vertical offset of the source waveform in units specified by the <code>WFMOUtpre:YUNIT</code> command. This is query only. (If you would like to determine only this value, use the WFMOUtpre:YZERo? query.)

WFMOutpre? Query results	Explanation
ENCDG ASCII	This value specifies the encoding of the waveform data. To change this value (the other possibility is BINARY), use the WFMOutpre:ENCDg command. (This value can also be set using the DATA:ENCDg command, which provides the ability to set the WFMOutpre:ENCDg , WFMOutpre:BN_Fmt , and WFMOutpre:BYT_Or values using a single command.)
BN_FMT RI	This value specifies the binary format, which in this case is RI (signed integer). To change this value (the other possibility is RP or positive integer), use the WFMOutpre:BN_Fmt command. Note: this field is not applicable for ASCII encoding.
BYT_OR MSB	This value specifies the byte order for the BINARY encoding, which in this case is MSB (most significant byte first, also known as IBM format). To change this value to LSB, use the WFMOutpre:BYT_Or command. Note: this field is not applicable for ASCII encoding.
WFID "Digital, unknown coupling, 100.0us/div, 10000 points, Digital mode"	This quoted string represents information about the source waveform that would be returned by a WFMOutpre:WFID? query. It cannot be changed.
NR_PT 25	This value indicates the number of data points in the waveform record to be transferred using the CURVE? query. (If you would like to determine only this value, use the WFMOutpre:NR_Pt? query.) Note: this value is typically equal to the full record length, but you also have the option to transfer only a portion of the record length by using the DATA:START and DATA:STOP commands.
PT_FMT Y	This value indicates the format of the data points in the waveform record. In this case, the value represents YT format. This is query only – the returned values can be Y for YT format or ENV for envelope format (min/max pairs). (If you would like to determine only this value, use the WFMOutpre:PT_Fmt? query.)
PT_ORDER LINEAR	This value is always LINEAR.
XUNIT "s"	This value indicates the units of the x-axis of the waveform record. This is determined by the horizontal settings for the waveform source. Typically, this value is "s", representing seconds. When using the math waveform as a source, the value can be "s" or "Hz". This is query only. (If you would like to determine only this value, use the WFMOutpre:XUNIT? query.)
XINCR 1.2121E-9	This value indicates the time, in seconds, or frequency, in hertz, between data points in the waveform record. This is query only. (If you would like to determine only this value, use the WFMOutpre:XINcr? query.)
XZERO -6.0606E-6	This value indicates the time, in seconds, or frequency, in hertz, of the first data point in the waveform record. This time or frequency is relative to the time of the trigger, which is always 0. So, this XZErO time or frequency can be negative. This is query only. (If you would like to determine only this value, use the WFMOutpre:XZErO? query.)
PT_OFF 0	This is a query provided only for compatibility with performance oscilloscopes. The returned value is always 0. (If you would like to determine only this value, use the WFMOutpre:PT_Off? query.)
YUNIT "State"	This value indicates the vertical units of data points in the waveform record. This can be any of several string values, depending upon the vertical units of the source waveform – in this case, State. This is query only. (If you would like to determine only this value, use the WFMOutpre:YUNIT? query.)
YMULT 1.0000	This value indicates the multiplying factor to convert the data point values from digitizing levels to the units specified by the WFMOutpre:YUNIT command. This is query only. (If you would like to determine only this value, use the WFMOutpre:YMULT? query.)

WFMOupre? Query results	Explanation
YOFF 0.0E+0	This value indicates the vertical position of the source waveform in digitizing levels. There are 25 digitizing levels per vertical division. This is query only. (If you would like to determine only this value, use the WFMOupre:YOFF? query.)
YZERO 0.0E+0	This value indicates the vertical offset of the source waveform in units specified by the <code>WFMOupre:YUNIT</code> command. This is query only. (If you would like to determine only this value, use the WFMOupre:YZero? query.)

Example 6: The Digital Collection with 8 Bytes Per Point and MagniVu On

Goal: Transfer 25 points of Digital Collection data from the oscilloscope to a PC using 8 bytes per point and MagniVu on.

Command	Comment
<code>:DATA:SOURce DIGital</code>	
<code>:ACQuire:MAGnivu 1</code>	
<code>:DATA:START 1</code>	
<code>:DATA:STOP 25</code>	
<code>:WFMOupre:ENCdg ASCii</code>	
<code>:WFMOupre:BYT_Nr 8</code>	
<code>:HEADer 1</code>	
<code>:VERBose 1</code>	
<code>:WFMOupre?</code>	Returns the following values. Each value represents the current settings that a <code>CURVe?</code> query will use to format the data that will be transferred from the oscilloscope to a PC or other device (see next table for explanations): <code>:WFMOUPRE:BYT_NR 8;BIT_NR 64;ENCDG ASCII;BN_FMT RI;BYT_OR MSB;WFID "Digital, unknown coupling, 100.0us/div, 10000 points, Digital mode";NR_PT 25;PT_FMT Y;PT_ORDER LINEAR;XUNIT "s";XINCR 1.2121E-9;XZERO -6.0606E-6;PT_OFF 0;YUNIT "State";YMULT 1.0000;YOFF 0.0E+0;YZERO 0.0E+0</code>
<code>:CURVe?</code>	Returns the following values. Each value represents a data point: <code>:CURVe 80000FB787,80000FB787,E8000FB787,8C000FB7E7,8C000FB7E7, 84000FB7EF,CC000FB7A7,8C000FB7A7,8C000FB7A7,84000FB7A7, 84000FB7A7,80000FB7A7,80000FB7A7,80000FB7A7,80000FB7A7, 80000FB7A7,80000FB7A7,80000FB7A7,C8000FB7A7,8C000FB7E7, 8C000FB7E7,84000FB7EF,CC000FB7A7,8C000FB7A7,8C000FB7A7</code>

NOTE. *The returned hexadecimal data values for the Digital Collection are formatted without leading zeroes.*

NOTE. You can also use the *WAVFrm?* query, which concatenates the *WFMOupre?* and *CURVe?* queries.

WFMOupre? Query results	Explanation
WFMOUPRE:BYT_Nr 8	This value specifies the number of bytes per data point in the waveform data. To change this value automatically, use the WFMOupre:BYT_Nr command. Note that changing this value automatically changes the BIT_Nr value accordingly. (This value can also be set using the DATA:WIDTH command.)
BIT_Nr 64	This value specifies the number of bits per data point in the waveform data. To change this value, use the WFMOupre:BIT_Nr command. Note that changing this value automatically changes the BYT_Nr value accordingly.
ENCDG ASCII	This value specifies the encoding of the waveform data. To change this value (the other possibility is BINARY), use the WFMOupre:ENCDg command. (This value can also be set using the DATA:ENCDg command, which provides the ability to set the WFMOupre:ENCDg , WFMOupre:BN_Fmt , and WFMOupre:BYT_Or values using a single command.)
BN_FMT RI	This value specifies the binary format, which in this case is RI (signed integer). To change this value (the other possibility is RP or positive integer), use the WFMOupre:BN_Fmt command. Note: this field is not applicable for ASCII encoding.
BYT_OR MSB	This value specifies the byte order for the BINARY encoding, which in this case is MSB (most significant byte first, also known as IBM format). To change this value to LSB, use the WFMOupre:BYT_Or command. Note: this field is not applicable for ASCII encoding.
WFID "Digital, unknown coupling, 100.0us/div, 10000 points, Digital mode"	This quoted string represents information about the source waveform that would be returned by a WFMOupre:WFID? query. It cannot be changed.
NR_PT 25	This value indicates the number of data points in the waveform record. (If you would like to determine only this value, use the WFMOupre:NR_Pt? query.) Note: this value is typically equal to the full record length, but you also have the option to transfer only a portion of the record length by using the DATA:START and DATA:STOP commands.
PT_FMT Y	This value indicates the format of the data points in the waveform record. In this case, the value represents YT format. This is query only – the returned values can be Y for YT format or ENV for envelope format (min/max pairs). (If you would like to determine only this value, use the WFMOupre:PT_Fmt? query.)
PT_ORDER LINEAR	This value is always LINEar.
XUNIT "s"	This value indicates the units of the x-axis of the waveform record. This is determined by the horizontal settings for the waveform source. Typically, this value is "s", representing seconds. When using the math waveform as a source, the value can be "s" or "Hz". This is query only. (If you would like to determine only this value, use the WFMOupre:XUNit? query.)
XINCR 1.2121E-9	This value indicates the time, in seconds, or frequency, in hertz, between data points in the waveform record. This is query only. (If you would like to determine only this value, use the WFMOupre:XINcr? query.)
XZERO -6.0606E-6	This value indicates the time, in seconds, or frequency, in hertz, of the first data point in the waveform record. This time or frequency is relative to the time of the trigger, which is always 0. So, this XZEro time or frequency can be negative. This is query only. (If you would like to determine only this value, use the WFMOupre:XZEro? query.)

WFMOUtpre? Query results	Explanation
PT_OFF 0	This is a query provided only for compatibility with other Tektronix oscilloscopes. The returned value is always 0. (If you would like to determine only this value, use the WFMOUtpre:PT_Off? query.)
YUNIT "State"	This value indicates the vertical units of data points in the waveform record. This can be any of several string values, depending upon the vertical units of the source waveform – in this case, State. This is query only. (If you would like to determine only this value, use the WFMOUtpre:YUNIT? query.)
YMULT 1.0000	This value indicates the multiplying factor to convert the data point values from digitizing levels to the units specified by the <code>WFMOUtpre:YUNIT</code> command. This is query only. (If you would like to determine only this value, use the WFMOUtpre:YMULT? query.)
YOFF 0.0E+0	This value indicates the vertical position of the source waveform in digitizing levels. There are 25 digitizing levels per vertical division. This is query only. (If you would like to determine only this value, use the WFMOUtpre:YOFF? query.)
YZERO 0.0E+0	This value indicates the vertical offset of the source waveform in units specified by the <code>WFMOUtpre:YUNIT</code> command. This is query only. (If you would like to determine only this value, use the WFMOUtpre:YZERO? query.)

Example 7: RF Frequency Domain Waveform

Goal: Transfer 5 points of RF frequency domain data from the oscilloscope to a PC using 4 bytes per point.

NOTE. *A frequency domain waveform used in data transfer from the oscilloscope to a PC or other device may be one of the four RF frequency domain traces or the Spectrum Math waveform.*

Command	Comment
:DATA:SOURce RF_NORMal	
:DATA:START 495	
:DATA:STOP 505	
:WFMOUtpre:ENCdg ASCii	
:WFMOUtpre:BYT_Nr 4	
:HEADER 1	
:VERBose 1	

Command	Comment
:WFMOupre?	Returns the following values. Each value represents the current settings that a CURVe? query will use to format the data that will be transferred from the oscilloscope to a PC or other device (see next table for explanations): :WFMOUPRE:BYT_NR 4;BIT_NR 32;ENCDG ASCII;BN_FMT FP;BYT_OR MSB;WFID "RF_NORMAL, unknown coupling, 10.00w/div, 200.0MHz/div, 1001 points, Sample mode, Center Freq: 2.400GHz, Span: 2.000GHz, Reference Level: 1.000mW";NR_PT 21;PT_FMT Y;PT_ORDER LINEAR;XUNIT "Hz";XINCR 2.0000E+6;XZERO 1.4000E+9;PT_OFF 0;YUNIT "W";YMULT 1.5625E-3;YOFF 0.0E+0;YZERO 0.0E+0;DOMAIN FREQUENCY;WFMTYPE RF_FD;CENTERFREQUENCY 2.4000E+9;SPAN 2.0000E+9;REFLEVEL 1.0000E-3
:CURVe?	Returns the following values. Each value represents a data point: :CURVE 2.43108E-10,1.62648E-10,2.78478E-10,4.15163E-10,7.66223E-10,7.63905E-10,3.68375E-10,3.42668E-10,3.06422E-10,1.81561E-10,2.0223E-10,4.24327E-10,1.95298E-10,2.1304E-10,9.41791E-11,4.56513E-10,4.33067E-10,6.57215E-11,1.65388E-10,9.09116E-10,5.39507E-10

WFMOupre? Query results	Explanation
BYT_NR 4	This value specifies the number of bytes per data point in the waveform data. This value is fixed for RF frequency domain traces.
BIT_NR 32	This value specifies the number of bits per data point in the waveform data. This value is fixed for RF frequency domain traces.
ENCDG ASCII	This value specifies the encoding of the waveform data. To change this value (the other possibility for RF frequency domain traces is FPBINARY), use the WFMOupre:ENCDg command. This value can also be set using the DATa:ENCDg command.
BN_FMT FP	This value specifies the binary format, which in this case is FP (floating point). This value is fixed for RF frequency domain traces. Note: This field is not applicable for ASCII encoding.
BYT_OR MSB	This value specifies the byte order for the BINARY encoding, which in this case is MSB (most significant byte first, also known as IBM format). To change this value to LSB, use the WFMOupre:BYT_Or command. Note: This field is not applicable for ASCII encoding.
WFID "RF_NORMAL, unknown coupling, 10.00W/div, 200.0MHz/div, 1001 points, Sample mode, Center Freq: 2.400GHz, Span: 2.000GHz, Reference Level: 1.000mW"	This quoted string represents information about the source waveform that would be returned by a WFMOupre:WFId? Query. It cannot be changed.
NR_PT 21	This value indicates the number of data points in the waveform record. (If you would like to determine only this value, use the WFMOupre:NR_Pt? query.) Note: This value is typically equal to the full record length of the RF frequency domain trace, but you also have the option to transfer only a portion of the record using the DATs:START and DATa:STOP commands.
PT_FMT Y	This value indicates the format of the data points in the waveform record. In this case, the value represents YF (Amplitude vs. Frequency) format. This is query only. (If you would like to determine only this value, use the WFMOupre:PT_Fmt? query.)
PT_ORDER LINEAR .	This value is always LINear

Appendix D: Waveform Transfer (WFMOupre and CURVe Query) Examples

XUNIT "Hz"	This value indicates the units of the x-axis of the waveform record. This value is always "Hz" for RF frequency domain traces. This is query only. (If you would like to determine only this value, use the WFMOupre:XUNit? query.)
XINCR 2.0000E+6	This value indicates the frequency, in Hertz, between data points in the waveform record. This is query only. (If you would like to determine only this value, use the WFMOupre:XINcr? query.)
XZERO 1.4000E+9	This value indicates the frequency, in Hertz, of the first data point in the waveform record. This frequency is relative to the time of the trigger, which is always 0. This XZEro frequency can be negative. This is query only. (If you would like to determine only this value, use the WFMOupre:XZEro? query.)
PT_OFF 0	This is a query provided only for compatibility with other Tektronix oscilloscopes. The returned value is always 0. (If you would like to determine only this value, use the WFMOupre:PT_Off? query.)
YUNIT "W"	This value indicates the units of data points in the waveform record. This value depends on the vertical units of the source waveform – in this case, Watts. This is query only. (If you would like to determine only this value, use the WFMOupre:YUNit? query.)
YMULT 1.5625E-3	This value indicates the multiplying factor to convert the data point values to the units specified by the:WFMOupre:YUNit command. This is query only. (If you would like to determine only this value, use the WFMOupre:YMUIt? query.)
YOFF 0.0E+0	This value indicates the vertical position of the source waveform. This value is unused for RF frequency domain traces and is always 0.
YZERO 0.0E+0	This value indicates the vertical offset of the source waveform. This value is unused for RF frequency domain traces and is always 0.
DOMAIN FREQUENCY	This value indicates the domain in which the source waveform is displayed and stored. For RF time domain traces, the domain is Time and waveform transfer information is treated as integer information. For RF frequency domain traces, the domain is Frequency and waveform transfer information is treated as floating point information. This is query only. (If you would like to determine only this value, use the WFMOupre:DOMain? query.)
WFMTYPE RF_FD	This value indicates the type of the source waveform. RF_FD indicates an RF frequency domain trace (frequency domain waveform). This is query only. (If you would like to determine only this value, use the WFMOupre:WFMTYPE? query.)
CENTERFREQUENCY 2.4000E+9	This value indicates the center frequency, in Hertz, of the source waveform. This is query only. (If you would like to determine only this value, use the WFMOupre:CENTERFREQuency? query.)
SPAN 2.0000E+9	This value indicates the frequency span, in Hertz, of the source waveform. This is query only. (If you would like to determine only this value, use the WFMOupre:SPAN? query.)
REFLEVEL 1.0000E-3	This value indicates the reference level, in Watts, of the source waveform. This is query only. (If you would like to determine only this value, use the WFMOupre:REFLEvel? query.)

Appendix E: Mask/Limit Command Sequence Examples

This section provides some sample mask command sequences that show you how to accomplish a few typical tasks.

Example 1: Creating custom masks

Goal: Create a custom mask, run a test that stops on violation, and determine the number of hits per mask segment.

Command	Comment
*RST	Resets the oscilloscope to the factory default settings.
:MASK:CUSTOM INIT	This should display a triangle mask with one segment using the default horizontal and vertical scope settings. (Note: the default horizontal scale is 4 μ sec/div.)
	You can verify that it's a custom mask by querying:
MASK:STANDARD?	Should return CUSTOM.
	Next, use mask commands to specify the mask parameters:
:MASK:USER:AMPLitude 100.0000E-3	
:MASK:USER:VSCALE 100.0000E-3	
:MASK:USER:VPOS 0.0E+0	
:MASK:USER:VOFFSet 0.0E+0	
:MASK:USER:HSCALE 4.0000E-6	
:MASK:USER:HTRIGPOS 500.0000E-3	
:MASK:USER:WIDTH 4.0000E-6	
:MASK:USER:RECOrdlength 10000	
:MASK:USER:TRIGTOSAMP 0.0E+0	
	Next, substitute a customized mask for the initial mask by creating two blue bands across the screen, one above and one below the x-axis.
	Note the dimensions of the display are 40e-6 X 10e-3 (10*horizontal_scale X 10*vertical_scale). The number of horizontal divisions is 10.
	The points in these lists are presented in a counter clock-wise manner starting with the lower # left hand corner (-20e-6, .1) for SEG1 and (-20e-6,-.2) for SEG2:
:MASK:USER:SEG1:POINTS	
-20e-6,.1,20e-6,.1,20e-6,.2,-20e-6,.2	
:MASK:USER:SEG2:POINTS	
-20e-6,-.2,20e-6,-.2,20e-6,-.1,-20e-6,-.1	
	Next, force a failure. Generate 100KHz sine wave, amplitude 0.22 volt, offset 0.0.
:ACQUIRE:STATE?	Should return 1, indicating that acquisitions are taking place.
:MASK:STOPONVIOLATION ON	This command will cause waveform acquisitions to stop upon the first occurrence of a waveform violation once the test starts.
:MASK:TEST:STATE ON	Starts the test.
:ACQUIRE:STATE?	Should now return 0, verifying that waveform acquisitions have stopped.

Command	Comment
	You can use the following queries to count the hits and get other information about the test. Total hits should equal the sum of the SEG1 and SEG2 hits.
:MASK:COUNT:HITS?	:MASK:COUNT:VIOLATIONS? should return 1, since stoponviolation was set.
:MASK:COUNT:SEG1:HITS?	
:MASK:COUNT:SEG2:HITS?	
:MASK:COUNT:TOTAL?	
:MASK:COUNT:VIOLATIONS?	
:MASK:COUNT:WAVEFORMS?	

Example 2: Modifying an existing mask

Goal: Modify an existing standard mask, save the modified mask, then recall the modified mask.

Command	Comment
*RST	Resets the oscilloscope to the factory default settings.
:MASK:STANDARD DS1C	This command displays a standard DS1C mask.
:MASK:STANDARD?	Should return DS1C.
:MASK:CUSTOM COPYACTIVE	This command copies the currently displayed mask and designates it as a custom mask.
:MASK:STANDARD?	Should now return CUSTOM.
	You can query to find out the points of each segment:
:MASK:USER:SEG1:POINTS?	Should return -155.3300E-9,420.0000E-3,-41.2100E-9,420.0000E-3, -6.3400E-9,2.1000,-6.3400E-9,4.6200,82.4200E-9,4.6200,82.4200E-9,4.4100, 171.1800E-9,4.4100,171.1800E-9,2.1000,206.0500E-9,420.0000E-3, 320.1700E-9,420.0000E-3,320.1700E-9,6.3000,-155.3300E-9,6.3000
:MASK:USER:SEG2:POINTS?	Should return -155.3300E-9,-2.1000,320.1700E-9,-2.1000,320.1700E-9, -420.0000E-3,152.1600E-9,-420.0000E-3,152.1600E-9,2.1000,114.1200E-9, 3.9900,50.7200E-9,3.9900,12.6800E-9,2.1000,12.6800E-9,-420.0000E-3,-155.3300E-9, -420.0000E-3
:MASK:USER:SEG3:POINTS?	Should return 0.0E+0,0.0E+0 since this mask has only 2 segments.
	Next, you can modify the mask.
:MASK:USER:SEG2 DELETE	The bottom segment of the mask (segment 2) should disappear from the display.
:MASK:USER:SEG2:POINTS?	Should now return 0.0E+0,0.0E+0.
	Create a new segment 2:
:MASK:USER:SEG2:POINTS [Enter new points for segment 2 here]	The MASK:USER:SEG2:POINTS command specifies the X-Y coordinate pairs of all points in the specified segment, using waveform units. There can be up to 8 segments. A new segment 2 should appear on the display.
	Now, you may save your custom mask. You can save either the mask definition itself, or the mask definition plus the rest of the scope settings. In both cases, the information is saved to the current working directory.

Command	Comment
:SAVE:MASK "FOO.MSK"	or SAVE:SETUP "FOO.SET"
	To recall the mask, use the commands RECALL:MASK "FOO.MSK" or RECALL:SETUP "FOO.SET"

Example 3: Creating a limit (template) mask

Goal: Create a limit (template) mask and then, upon violation, save the waveform data and image to a USB device or a network drive.

Command	Comment
	<p>First, install a USB mass storage device into one of the available slots on the instrument or mount a network drive. The DPO/MSO 4000B series has 2 USB host ports ("E:" and "F:") on the front of the instrument and 2 USB host ports ("G:" and "H:") on the rear of the instrument. Additionally, it supports mounting network drives as "I:" through "Z:" (See the command FILESystem:MOUNT:DRive for more information).</p> <p>The default working directory for file system access via the programmatic interface is "E:". You can create a directory on that drive if desired by using the FILESystem:MKDIR command. For example, FILESys:MKDIR "E:/MyMaskTestWaveforms".</p> <p>Next, set the current working directory (CWD) to the drive/directory that you desire to have the waveform file saved to. For example FILESystem:CWD "E:/MyMaskTestWaveforms".</p> <p># Next, select the type of waveform file you desire to save: SPREADSheet or INTERNAL using the SAVE:WAVEForm:FILEFormat {SPREADSheet INTERNAL} command. See the command SAVE:WAVEForm:FILEFormat for more information.</p>
*RST	Resets the oscilloscope to the factory default settings.
:APPLICATION:TYPE LIMITMASK	This sets the application type to limit mask.
:MASK:TEMPLATE:SOURCE CH1	This command specifies the source waveform to be used to create a template mask. The source can be either one of four channels, or one of four saved reference waveforms
	<p>Generate a 300KHz sine wave, 0.2 volt peak to peak, with no offset. Position the waveform so that the signal is centered in the screen.</p> <p>Now, create a template mask, which will be based on the settings of the MASK:TEMPLate:SOURce, MASK:TEMPLate:TOLerance:HORizontal, and MASK:TEMPLate:TOLerance:VERTical commands. (If you do not specify the horizontal or vertical tolerances, the default tolerance of one minor division will be used.)</p>
:MASK:TEMPLATE:CREATEMASK	The limit mask should appear on the screen.
:MASK:STOPONVIOLATION ON	This command will stop the waveform acquisitions upon the first occurrence of a waveform violation.
:MASK:TEST:SAVEWFM ON	Once the test starts, this command will save an ISF or CSV file (depending upon the setting of (SAVE:WAVEForm:FILEFormat) of the waveform from Channel 1 upon mask violation to a file # in the current working directory.
:MASK:TEST:SAVEIMAGE ON	Once the test starts, this command will save a .PNG, .BMP or .TIF file (depending upon the setting of SAVE:IMAGe:FILEFormat) of the waveform from Channel 1 upon mask violation to a file in the current working directory.
:MASK:TEST:STATE 1	This starts the test.

Command	Comment
	Next, force a mask violation. Generate a 300KHz sine wave, 0.22 volt Peak to peak, 0.0 offset.
:ACQUIRE:STATE?	This query should return 0, indicating that the acquisitions have stopped, because a violation has taken place.
:FILESYSTEM:DIR?	This query should show that a new waveform and a new screen image file have been saved to the current working directory.

Appendix F: Search and Trigger Command Sequence Examples

The following are some example command sequences that show a variety of different searches and triggers. The commands in these sequences are not order-dependent.

To use these examples, connect channel 1, channel 2, channel 3 and channel 4 to the probe compensation signal located on the right hand side of the front panel.

The search and trigger command group sections contain more information on general search and trigger concepts. (See page 2-55, *Search Command Group*.) (See page 2-69, *Trigger Command Group*.)

Example 1: Single Threshold Edge Search

Goal: Search the channel 2 waveform and place a mark at each instance where it crosses below a threshold of 1.4 volts.

Command	Comment
*RST	Resets the oscilloscope. Wait for the reset to complete (approximately 3 seconds).
:SElect:CH2 1	Turns the CH2 waveform on.
:AUTOSet EXECute	Autosets the displayed waveform CH2. Wait for the autoset to complete (approximately 3 seconds).
:SEARCH:SEARCH1:TRIGger:A:TYPE EDGE	Specifies that this will be an edge search (a mark will be placed when the source waveform passes through a specified threshold level in the specified direction).
:SEARCH:SEARCH1:TRIGger:A:EDGE:SOURce CH2	Specifies the CH2 waveform as the source waveform.
:SEARCH:SEARCH1:TRIGger:A:LOWerthreshold:CH2 1.4	Specifies 1.4 volts as the threshold level.
:SEARCH:SEARCH1:TRIGger:A:EDGE:SLOpe FALL	Specifies the falling edge as the direction.
:SEARCH:SEARCH1:STATE 1	Turns the search on.
:SEARCH:SEARCH1:TOTal?	Returns 4, indicating that CH2 fell below the 1.4 volt threshold 4 times.
:SEARCH:SEARCH1:LIST?	Returns a list of the 4 marks: CH2 ,11.2411,11.2411,11.2411,-1.5504E-3, 0.0E+0,0.0E+0,0.0E+0; CH2 ,37.0737,37.0737,37.0737, -517.0517E-6,0.0E+0,0.0E+0,0.0E+0; CH2 ,62.9163,62.9163,62.9163, 516.6517E-6,0.0E+0,0.0E+0, 0.0E+0; CH2 ,88.7489,88.7489,88.7489, 1.5500E-3,0.0E+0,0.0E+0,0.0E+0

Example 2: Single Threshold Edge Trigger

Goal: Trigger on the channel 2 waveform when the waveform crosses below a threshold of 1.4 volts.

Command	Comment
*RST	Resets the oscilloscope. Wait for the reset to complete (approximately 3 seconds).
:SElect:CH2 1	Turns the CH2 waveform on.
:TRIGger:A:TYPE EDGE	Specifies that this will be an edge trigger (trigger will occur when the source waveform passes through a specified threshold level in the specified direction).
:TRIGger:A:EDGE:SOURce CH2	Specifies the CH2 waveform as the source waveform.
:TRIGger:A:LOWerthreshold:CH2 1.4	Specifies 1.4 volts as the threshold level.
:TRIGger:A:EDGE:SLOpe FALL	Specifies as falling edge as the direction.
:TRIGger:STATE?	Should return TRIGGER, not AUTO.

Example 3: Dual Threshold Runt Search

Goal: Search the channel 3 waveform for negative runt pulses and place a mark at each instance when the waveform drops below an upper threshold of 1.4 volts, but does not cross a lower threshold of -2 volts before re-crossing the upper threshold. The pulse width must be less than 600 microseconds.

Command	Comment
*RST	Resets the oscilloscope. Wait for the reset to complete (approximately 3 seconds).
:SElect:CH3 1	Turns the CH3 waveform on.
:AUTOSet EXECute	Autosets the displayed waveform CH3. Wait for the autoset to complete (approximately 3 seconds).
:SEARCH:SEARCH1:TRIGger:A:TYPE RUNT	Specifies that this will be a runt search (a mark will be placed on a pulse amplitude that crosses one threshold but fails to cross a second threshold before re-crossing the first).
:SEARCH:SEARCH1:TRIGger:A:EDGE:SOURce CH3	Specifies to use channel 3 as the source waveform.
:SEARCH:SEARCH1:TRIGger:A:LOWerthreshold:CH3 -2	Specifies to use -2 volts as the lower threshold.
:SEARCH:SEARCH1:TRIGger:A:UPPerthreshold: CH3 1.4	Specifies to use 1.4 volts as the upper threshold.
:SEARCH:SEARCH1:TRIGger:A:RUNT:POLarity NEGative	Specifies to search for when the runt polarity is negative.
:SEARCH:SEARCH1:TRIGger:A:RUNT:WIDTH 600E-6	Specifies a pulse width of 600E-6 seconds.
:SEARCH:SEARCH1:TRIGger:A:RUNT:WHEn LESSthan	Specifies to search for when the pulse width is less than 600E-6 seconds.
:SEARCH:SEARCH1:STATE 1	Turns the search on.

Command	Comment
:SEARCH:SEARCH1:TOTal?	Returns 3, indicating that 3 total negative runt pulses were less than 600E-6 seconds wide
:SEARCH:SEARCH1:LIST?	Returns a list of 3 marks: CH3 ,11.2311,24.1624,24.1624,1.0335E3,0.0E+0,0.0E+0,0.0E+0; CH3 ,37.0837,50.0150,50.0150,600.0600E9,0.0E+0,0.0E+0,0.0E+0; CH3 ,62.9263,75.8576,75.8576,1.0343E-3,0.0E+0,0.0E+0,0.0E+0

NOTE. You could use a similar command sequence with a transition type search.

Example 4: Single Threshold Logic Search on Three Waveforms

Goal: Search the channel 1, 2 and 3 waveforms and place a mark at each instance when either channel 1 is above 1.4 volts, channel 2 is above 1.5 volts, or channel 3 is above 1.3 volts.

Command	Comment
*RST	Resets the oscilloscope. Wait for the reset to complete (approximately 3 seconds).
:SElect:CH1 1	Turns the CH1 waveform on.
:SElect:CH2 1	Turns the CH2 waveform on.
:SElect:CH3 1	Turns the CH3 waveform on.
:AUTOSet EXECute	Autosets the displayed waveforms CH1, CH2 and CH3. Wait for the autose to complete (approximately 3 seconds).
:SEARCH:SEARCH1:TRIGger:A:TYPE LOGic	Specifies that this will be a logic search (a mark will be placed when all channels transition to the specified state).
:SEARCH:SEARCH1:TRIGger:A:LOGic:INPut:CH1 HIGH	Specifies the Boolean logic criteria for channel 1; in this case, high.
:SEARCH:SEARCH1:TRIGger:A:LOGic:INPut:CH2 HIGH	Specifies the Boolean logic criteria for channel 2; in this case, high.
:SEARCH:SEARCH1:TRIGger:A:LOGic:INPut:CH3 HIGH	Specifies the Boolean logic criteria for channel 3; in this case, high.
:SEARCH:SEARCH1:TRIGger:A:LOGic:THReshold:CH1 1.4	Specifies to use 1.4 volts as the threshold for CH1.
:SEARCH:SEARCH1:TRIGger:A:LOGic:THReshold:CH2 1.5	Specifies to use 1.5 volts as the threshold for CH2.
:SEARCH:SEARCH1:TRIGger:A:LOGic:THReshold:CH3 1.3	Specifies to use 1.3 volts as the threshold for CH3.
:SEARCH:SEARCH1:TRIGger:A:LOGic:PATtern:WHEn TRUE	Specifies the condition for generating a logic pattern search; in this case, true.
:SEARCH:SEARCH1:TRIGger:A:LOGic:FUNCTion OR	Specifies the logic operator for the logic search; in this case, OR.
:SEARCH:SEARCH1:STATE 1	Turns the search on.

Command	Comment
:SEARCH:SEARCH1:TOTal?	<p>Returns 3 or 4, indicating 3 or 4 times when one of channels 1, 2 or 3 became high.</p> <p>Note: Depending upon the number of transitions displayed, you may get 3 or 4 search marks for this example. If you get 3 search marks, try adjusting the horizontal position until you see 4 search marks.</p>
:SEARCH:SEARCH1:LIST?	<p>Returns a list of 3 marks on 3 waveforms:</p> <p>CH1,24.1600,24.1600,24.1600,1.0336E3,0.0E+0,0.0E+0,0.0E+0;CH2,24.1600,24.1600,24.1600,1.0336E3,0.0E+0,0.0E+0,0.0E+0;CH3,24.1600,24.1600,24.1600,1.0336E3,0.0E+0,0.0E+0,0.0E+0;CH1,50.0000,50.0000,50.0000,0.0E+0,0.0E+0,0.0E+0,0.0E+0;CH2,50.0000,50.0000,50.0000,0.0E+0,0.0E+0,0.0E+0,0.0E+0;CH3,50.0000,50.0000,50.0000,0.0E+0,0.0E+0,0.0E+0,0.0E+0;CH1,75.8300,75.8300,75.8300,1.0332E3,0.0E+0,0.0E+0,0.0E+0;CH2,75.8300,75.8300,75.8300,1.0332E3,0.0E+0,0.0E+0,0.0E+0;CH3,75.8300,75.8300,75.8300,1.0332E-3,0.0E+0,0.0E+0,0.0E+0</p>

Appendix G: Application Module-enabled Commands

This table lists the commands that become available with installation of an application module.

Application Module	Commands
DPO4AERO	<p>Aerospace Serial Triggering and Analysis Module. Enables triggering on packet-level information on MIL-STD-1553 buses as well as analytical tools such as digital views of the signal, bus views, packet decoding, search tools, and packet decode tables with time-stamp information.</p> <p>BUS:B<x>:MIL1553B:POLarity</p> <p>BUS:B<x>:MIL1553B:RESPonsetime:MAXimum</p> <p>BUS:B<x>:MIL1553B:RESPonsetime:MINimum</p> <p>BUS:B<x>:MIL1553B:SOUrce</p> <p>SEARCH:SEARCH<x>:TRIGger:A:BUS:B<x>:MIL1553B:COMMAND:ADDRess:HIVALue</p> <p>SEARCH:SEARCH<x>:TRIGger:A:BUS:B<x>:MIL1553B:COMMAND:ADDRess:QUALifier</p> <p>SEARCH:SEARCH<x>:TRIGger:A:BUS:B<x>:MIL1553B:COMMAND:ADDRess:VALue</p> <p>SEARCH:SEARCH<x>:TRIGger:A:BUS:B<x>:MIL1553B:COMMAND:COUNt</p> <p>SEARCH:SEARCH<x>:TRIGger:A:BUS:B<x>:MIL1553B:COMMAND:PARity</p> <p>SEARCH:SEARCH<x>:TRIGger:A:BUS:B<x>:MIL1553B:COMMAND:SUBADdress</p> <p>SEARCH:SEARCH<x>:TRIGger:A:BUS:B<x>:MIL1553B:COMMAND:TRBit</p> <p>SEARCH:SEARCH<x>:TRIGger:A:BUS:B<x>:MIL1553B:CONDition</p> <p>SEARCH:SEARCH<x>:TRIGger:A:BUS:B<x>:MIL1553B:DATA:PARity</p> <p>SEARCH:SEARCH<x>:TRIGger:A:BUS:B<x>:MIL1553B:DATA:VALue</p> <p>SEARCH:SEARCH<x>:TRIGger:A:BUS:B<x>:MIL1553B:ERRTYPE</p> <p>SEARCH:SEARCH<x>:TRIGger:A:BUS:B<x>:MIL1553B:STATus:ADDRess:HIVALue</p> <p>SEARCH:SEARCH<x>:TRIGger:A:BUS:B<x>:MIL1553B:STATus:ADDRess:VALue</p> <p>SEARCH:SEARCH<x>:TRIGger:A:BUS:B<x>:MIL1553B:STATus:ADDRess:QUALifier</p> <p>SEARCH:SEARCH<x>:TRIGger:A:BUS:B<x>:MIL1553B:STATus:BIT:BCR</p> <p>SEARCH:SEARCH<x>:TRIGger:A:BUS:B<x>:MIL1553B:STATus:BIT:BUSY</p> <p>SEARCH:SEARCH<x>:TRIGger:A:BUS:B<x>:MIL1553B:STATus:BIT:DBCA</p> <p>SEARCH:SEARCH<x>:TRIGger:A:BUS:B<x>:MIL1553B:STATus:BIT:INSTR</p> <p>SEARCH:SEARCH<x>:TRIGger:A:BUS:B<x>:MIL1553B:STATus:BIT:ME</p> <p>SEARCH:SEARCH<x>:TRIGger:A:BUS:B<x>:MIL1553B:STATus:BIT:SRQ</p> <p>SEARCH:SEARCH<x>:TRIGger:A:BUS:B<x>:MIL1553B:STATus:BIT:SUBSF</p> <p>SEARCH:SEARCH<x>:TRIGger:A:BUS:B<x>:MIL1553B:STATus:BIT:TF</p> <p>SEARCH:SEARCH<x>:TRIGger:A:BUS:B<x>:MIL1553B:STATus:PARity</p> <p>SEARCH:SEARCH<x>:TRIGger:A:BUS:B<x>:MIL1553B:TIME:LESSLimit</p> <p>SEARCH:SEARCH<x>:TRIGger:A:BUS:B<x>:MIL1553B:TIME:MORELimit</p> <p>SEARCH:SEARCH<x>:TRIGger:A:BUS:B<x>:MIL1553B:TIME:QUALifier</p>

Application Module	Commands
DPO4AERO	TRIGger:A:BUS:B<x>:MIL1553B:COMMAND:ADDRess:HIVALue
	TRIGger:A:BUS:B<x>:MIL1553B:COMMAND:ADDRess:QUALifier
	TRIGger:A:BUS:B<x>:MIL1553B:COMMAND:ADDRess:VALue
	TRIGger:A:BUS:B<x>:MIL1553B:COMMAND:COUNT
	TRIGger:A:BUS:B<x>:MIL1553B:COMMAND:PARity
	TRIGger:A:BUS:B<x>:MIL1553B:COMMAND:SUBADdress
	TRIGger:A:BUS:B<x>:MIL1553B:COMMAND:TRBit
	TRIGger:A:BUS:B<x>:MIL1553B:CONDition
	TRIGger:A:BUS:B<x>:MIL1553B:DATA:PARity
	TRIGger:A:BUS:B<x>:MIL1553B:DATA:VALue
	TRIGger:A:BUS:B<x>:MIL1553B:ERRTYPE
	TRIGger:A:BUS:B<x>:MIL1553B:STATus:ADDRess:HIVALue
	TRIGger:A:BUS:B<x>:MIL1553B:STATus:ADDRess:QUALifier
	TRIGger:A:BUS:B<x>:MIL1553B:STATus:ADDRess:VALue
	TRIGger:A:BUS:B<x>:MIL1553B:STATus:BIT:BCR
	TRIGger:A:BUS:B<x>:MIL1553B:STATus:BIT:BUSY
	TRIGger:A:BUS:B<x>:MIL1553B:STATus:BIT:DBCA
	TRIGger:A:BUS:B<x>:MIL1553B:STATus:BIT:INSTR
	TRIGger:A:BUS:B<x>:MIL1553B:STATus:BIT:ME
	TRIGger:A:BUS:B<x>:MIL1553B:STATus:BIT:SRQ
	TRIGger:A:BUS:B<x>:MIL1553B:STATus:BIT:SUBSF
	TRIGger:A:BUS:B<x>:MIL1553B:STATus:BIT:TF
	TRIGger:A:BUS:B<x>:MIL1553B:STATus:PARity
	TRIGger:A:BUS:B<x>:MIL1553B:TIME:LESSLimit
	TRIGger:A:BUS:B<x>:MIL1553B:TIME:MORELimit
	TRIGger:A:BUS:B<x>:MIL1553B:TIME:QUALifier

Application Module	Commands
DPO4AUDIO	<p>Audio Serial Triggering and Analysis Module. Enables triggering on packet-level information on I2S, LJ, RJ, and TDM audio buses as well as analytical tools such as digital views of the signal, bus views, packet decoding, search tools, and packet decode tables with time-stamp information.</p>
	<p>BUS:B<x>:AUDio:BITDelay BUS:B<x>:AUDio:BITOrder BUS:B<x>:AUDio:CHANnel:SIZE BUS:B<x>:AUDio:CLOCK:POLarity BUS:B<x>:AUDio:CLOCK:SOURce BUS:B<x>:AUDio:DATA:POLarity BUS:B<x>:AUDio:DATA:SIZE BUS:B<x>:AUDio:DATA:SOURce BUS:B<x>:AUDio:DISplay:FORMat BUS:B<x>:AUDio:FRAME:SIZE BUS:B<x>:AUDio:FRAMESync:POLarity BUS:B<x>:AUDio:FRAMESync:SOURce BUS:B<x>:AUDio:TYPE BUS:B<x>:AUDio:WORDSel:POLarity BUS:B<x>:AUDio:WORDSel:SOURce SEARCH:SEARCH<x>:TRIGger:A:BUS:B<x>:AUDio:CONDition SEARCH:SEARCH<x>:TRIGger:A:BUS:B<x>:AUDio:DATA:HIVALue SEARCH:SEARCH<x>:TRIGger:A:BUS:B<x>:AUDio:DATA:OFFSet SEARCH:SEARCH<x>:TRIGger:A:BUS:B<x>:AUDio:DATA:QUALifier SEARCH:SEARCH<x>:TRIGger:A:BUS:B<x>:AUDio:DATA:VALue SEARCH:SEARCH<x>:TRIGger:A:BUS:B<x>:AUDio:DATA:WORD TRIGger:A:BUS:B<x>:AUDio:CONDition TRIGger:A:BUS:B<x>:AUDio:DATA:HIVALue TRIGger:A:BUS:B<x>:AUDio:DATA:OFFSet TRIGger:A:BUS:B<x>:AUDio:DATA:QUALifier TRIGger:A:BUS:B<x>:AUDio:DATA:VALue TRIGger:A:BUS:B<x>:AUDio:DATA:WORD</p>

Application Module	Commands
DPO4AUTO	<p data-bbox="375 264 1411 359">Automotive Serial Triggering and Analysis Module. Enables triggering on packet-level information on CAN and LIN buses as well as analytical tools such as digital views of the signal, bus views, packet decoding, search tools, and packet decode tables with time-stamp information.</p> <hr/> <p data-bbox="375 367 618 401">BUS:B<x>:CAN:BITRate</p> <p data-bbox="375 409 610 443">BUS:B<x>:CAN:PRObe</p> <p data-bbox="375 451 675 485">BUS:B<x>:CAN:SAMPLEpoint</p> <p data-bbox="375 493 615 527">BUS:B<x>:CAN:SOUrce</p> <p data-bbox="375 535 607 569">BUS:B<x>:LIN:BITRate</p> <p data-bbox="375 577 634 611">BUS:B<x>:LIN:IDFORmat</p> <p data-bbox="375 619 610 653">BUS:B<x>:LIN:POLarity</p> <p data-bbox="375 661 667 695">BUS:B<x>:LIN:SAMPLEpoint</p> <p data-bbox="375 703 607 737">BUS:B<x>:LIN:SOUrce</p> <p data-bbox="375 745 631 779">BUS:B<x>:LIN:STANDard</p> <p data-bbox="375 787 984 821">SEARCH:SEARCH<x>:TRIGger:A:BUS:B<x>:CAN:CONDition</p> <p data-bbox="375 829 1032 863">SEARCH:SEARCH<x>:TRIGger:A:BUS:B<x>:CAN:DATA:DIRection</p> <p data-bbox="375 871 1032 905">SEARCH:SEARCH<x>:TRIGger:A:BUS:B<x>:CAN:DATA:QUALifier</p> <p data-bbox="375 913 984 947">SEARCH:SEARCH<x>:TRIGger:A:BUS:B<x>:CAN:DATA:SIZE</p> <p data-bbox="375 955 1000 989">SEARCH:SEARCH<x>:TRIGger:A:BUS:B<x>:CAN:DATA:VALue</p> <p data-bbox="375 997 997 1031">SEARCH:SEARCH<x>:TRIGger:A:BUS:B<x>:CAN:FRAMeType</p> <p data-bbox="375 1039 1159 1073">SEARCH:SEARCH<x>:TRIGger:A:BUS:B<x>:CAN{:IDentifier :ADDRess}:MODE</p> <p data-bbox="375 1081 1159 1115">SEARCH:SEARCH<x>:TRIGger:A:BUS:B<x>:CAN{:IDentifier :ADDRess}:VALue</p> <p data-bbox="375 1123 972 1157">SEARCH:SEARCH<x>:TRIGger:A:BUS:B<x>:LIN:CONDition</p> <p data-bbox="375 1165 1008 1199">SEARCH:SEARCH<x>:TRIGger:A:BUS:B<x>:LIN:DATA:HIVALue</p> <p data-bbox="375 1207 1019 1241">SEARCH:SEARCH<x>:TRIGger:A:BUS:B<x>:LIN:DATA:QUALifier</p> <p data-bbox="375 1249 972 1283">SEARCH:SEARCH<x>:TRIGger:A:BUS:B<x>:LIN:DATA:SIZE</p> <p data-bbox="375 1291 989 1325">SEARCH:SEARCH<x>:TRIGger:A:BUS:B<x>:LIN:DATA:VALue</p> <p data-bbox="375 1333 972 1367">SEARCH:SEARCH<x>:TRIGger:A:BUS:B<x>:LIN:ERRTYPE</p> <p data-bbox="375 1375 1024 1409">SEARCH:SEARCH<x>:TRIGger:A:BUS:B<x>:LIN:IDentifier:VALue</p> <p data-bbox="375 1417 753 1451">TRIGger:A:BUS:B<x>:CAN:CONDition</p> <p data-bbox="375 1459 802 1493">TRIGger:A:BUS:B<x>:CAN:DATA:DIRection</p> <p data-bbox="375 1501 802 1535">TRIGger:A:BUS:B<x>:CAN:DATA:QUALifier</p> <p data-bbox="375 1543 753 1577">TRIGger:A:BUS:B<x>:CAN:DATA:SIZE</p> <p data-bbox="375 1585 769 1619">TRIGger:A:BUS:B<x>:CAN:DATA:VALue</p> <p data-bbox="375 1627 764 1661">TRIGger:A:BUS:B<x>:CAN:FRAMeType</p> <p data-bbox="375 1669 927 1703">TRIGger:A:BUS:B<x>:CAN{:IDentifier :ADDRess}:MODE</p> <p data-bbox="375 1711 927 1745">TRIGger:A:BUS:B<x>:CAN{:IDentifier :ADDRess}:VALue</p> <p data-bbox="375 1753 740 1787">TRIGger:A:BUS:B<x>:LIN:CONDition</p> <p data-bbox="375 1795 781 1829">TRIGger:A:BUS:B<x>:LIN:DATA:HIVALue</p> <p data-bbox="375 1837 789 1871">TRIGger:A:BUS:B<x>:LIN:DATA:QUALifier</p> <p data-bbox="375 1879 740 1913">TRIGger:A:BUS:B<x>:LIN:DATA:SIZE</p> <p data-bbox="375 1921 756 1955">TRIGger:A:BUS:B<x>:LIN:DATA:VALue</p> <p data-bbox="375 1963 740 1997">TRIGger:A:BUS:B<x>:LIN:ERRTYPE</p> <p data-bbox="375 2005 794 2039">TRIGger:A:BUS:B<x>:LIN:IDentifier:VALue</p>

Application Module	Commands
DPO4AUTOMAX	<p data-bbox="415 268 1455 390">Extended Automotive Serial Triggering and Analysis Module. Enables triggering on packet-level information on CAN, LIN, and FlexRay buses as well as analytical tools such as digital views of the signal, bus views, packet decoding, search tools, packet decode tables with time-stamp information, and eye diagram analysis software.</p> <p data-bbox="415 401 1398 459">The DPO4AUTOMAX application module enables all the commands listed above for the DPO4AUTO application module, plus the following additional commands:</p> <hr/> <p data-bbox="415 470 699 501">BUS:B<x>:FLEXray:BITRate</p> <p data-bbox="415 512 699 543">BUS:B<x>:FLEXray:CHannel</p> <p data-bbox="415 554 683 585">BUS:B<x>:FLEXray:SIGnal</p> <p data-bbox="415 596 695 627">BUS:B<x>:FLEXray:SOUrce</p> <p data-bbox="415 638 1060 669">SEARCH:SEARCH<x>:TRIGger:A:BUS:B<x>:FLEXray:CONDition</p> <p data-bbox="415 680 1174 711">SEARCH:SEARCH<x>:TRIGger:A:BUS:B<x>:FLEXray:CYCLEcount:HIVALue</p> <p data-bbox="415 722 1182 753">SEARCH:SEARCH<x>:TRIGger:A:BUS:B<x>:FLEXray:CYCLEcount:QUALifier</p> <p data-bbox="415 764 1149 795">SEARCH:SEARCH<x>:TRIGger:A:BUS:B<x>:FLEXray:CYCLEcount:VALue</p> <p data-bbox="415 806 1101 837">SEARCH:SEARCH<x>:TRIGger:A:BUS:B<x>:FLEXray:DATA:HIVALue</p> <p data-bbox="415 848 1092 879">SEARCH:SEARCH<x>:TRIGger:A:BUS:B<x>:FLEXray:DATA:OFFSet</p> <p data-bbox="415 890 1109 921">SEARCH:SEARCH<x>:TRIGger:A:BUS:B<x>:FLEXray:DATA:QUALifier</p> <p data-bbox="415 932 1060 963">SEARCH:SEARCH<x>:TRIGger:A:BUS:B<x>:FLEXray:DATA:SIZE</p> <p data-bbox="415 974 1076 1005">SEARCH:SEARCH<x>:TRIGger:A:BUS:B<x>:FLEXray:DATA:VALue</p> <p data-bbox="415 1016 1060 1047">SEARCH:SEARCH<x>:TRIGger:A:BUS:B<x>:FLEXray:EOFTYPE</p> <p data-bbox="415 1058 1060 1089">SEARCH:SEARCH<x>:TRIGger:A:BUS:B<x>:FLEXray:ERRTYPE</p> <p data-bbox="415 1100 1149 1131">SEARCH:SEARCH<x>:TRIGger:A:BUS:B<x>:FLEXray:FRAMEID:HIVALue</p> <p data-bbox="415 1142 1157 1173">SEARCH:SEARCH<x>:TRIGger:A:BUS:B<x>:FLEXray:FRAMEID:QUALifier</p> <p data-bbox="415 1184 1125 1215">SEARCH:SEARCH<x>:TRIGger:A:BUS:B<x>:FLEXray:FRAMEID:VALue</p> <p data-bbox="415 1226 1076 1257">SEARCH:SEARCH<x>:TRIGger:A:BUS:B<x>:FLEXray:FRAMEType</p> <p data-bbox="415 1268 1101 1299">SEARCH:SEARCH<x>:TRIGger:A:BUS:B<x>:FLEXray:HEADER:CRC</p> <p data-bbox="415 1310 1182 1341">SEARCH:SEARCH<x>:TRIGger:A:BUS:B<x>:FLEXray:HEADER:CYCLEcount</p> <p data-bbox="415 1352 1149 1383">SEARCH:SEARCH<x>:TRIGger:A:BUS:B<x>:FLEXray:HEADER:FRAMEID</p> <p data-bbox="415 1394 1125 1425">SEARCH:SEARCH<x>:TRIGger:A:BUS:B<x>:FLEXray:HEADER:INDBits</p> <p data-bbox="415 1436 1157 1467">SEARCH:SEARCH<x>:TRIGger:A:BUS:B<x>:FLEXray:HEADER:PAYLength</p> <p data-bbox="415 1478 833 1509">TRIGger:A:BUS:B<x>:FLEXray:CONDition</p> <p data-bbox="415 1520 946 1551">TRIGger:A:BUS:B<x>:FLEXray:CYCLEcount:HIVALue</p> <p data-bbox="415 1562 954 1593">TRIGger:A:BUS:B<x>:FLEXray:CYCLEcount:QUALifier</p> <p data-bbox="415 1604 922 1635">TRIGger:A:BUS:B<x>:FLEXray:CYCLEcount:VALue</p> <p data-bbox="415 1646 873 1677">TRIGger:A:BUS:B<x>:FLEXray:DATA:HIVALue</p> <p data-bbox="415 1688 865 1719">TRIGger:A:BUS:B<x>:FLEXray:DATA:OFFSet</p> <p data-bbox="415 1730 881 1761">TRIGger:A:BUS:B<x>:FLEXray:DATA:QUALifier</p> <p data-bbox="415 1772 833 1803">TRIGger:A:BUS:B<x>:FLEXray:DATA:SIZE</p> <p data-bbox="415 1814 849 1845">TRIGger:A:BUS:B<x>:FLEXray:DATA:VALue</p> <p data-bbox="415 1856 833 1887">TRIGger:A:BUS:B<x>:FLEXray:EOFTYPE</p>

Application Module	Commands
DPO4AUTOMAX	<p>TRIGger:A:BUS:B<x>:FLEXray:ERRType</p> <p>TRIGger:A:BUS:B<x>:FLEXray:FRAMEID:HIVALue</p> <p>TRIGger:A:BUS:B<x>:FLEXray:FRAMEID:QUALifier</p> <p>TRIGger:A:BUS:B<x>:FLEXray:FRAMEID:VALue</p> <p>TRIGger:A:BUS:B<x>:FLEXray:FRAMEType</p> <p>TRIGger:A:BUS:B<x>:FLEXray:HEADER:CRC</p> <p>TRIGger:A:BUS:B<x>:FLEXray:HEADER:CYCLEcount</p> <p>TRIGger:A:BUS:B<x>:FLEXray:HEADER:FRAMEID</p> <p>TRIGger:A:BUS:B<x>:FLEXray:HEADER:INDBits</p> <p>TRIGger:A:BUS:B<x>:FLEXray:HEADER:PAYLength</p>
DPO4COMP	<p>Computer Serial Triggering and Analysis Module. Enables triggering on packet-level information on RS-232/422/485/UART buses as well as analytical tools such as digital views of the signal, bus views, packet decoding, search tools, and packet decode tables with time-stamp information.</p> <hr/> <p>BUS:B<x>:RS232C:BITRate</p> <p>BUS:B<x>:RS232C:DATABits</p> <p>BUS:B<x>:RS232C:DELIMiter</p> <p>BUS:B<x>:RS232C:DISplaymode</p> <p>BUS:B<x>:RS232C:PARity</p> <p>BUS:B<x>:RS232C:POLarity</p> <p>BUS:B<x>:RS232C:RX:SOURce</p> <p>BUS:B<x>:RS232C:TX:SOURce</p> <p>SEARCH:SEARCH<x>:TRIGger:A:BUS:B<x>:RS232C:CONDition</p> <p>SEARCH:SEARCH<x>:TRIGger:A:BUS:B<x>:RS232C:RX:DATA:SIZE</p> <p>SEARCH:SEARCH<x>:TRIGger:A:BUS:B<x>:RS232C:RX:DATA:VALue</p> <p>SEARCH:SEARCH<x>:TRIGger:A:BUS:B<x>:RS232C:TX:DATA:SIZE</p> <p>SEARCH:SEARCH<x>:TRIGger:A:BUS:B<x>:RS232C:TX:DATA:VALue</p> <p>TRIGger:A:BUS:B<x>:RS232C:CONDition</p> <p>TRIGger:A:BUS:B<x>:RS232C:RX:DATA:SIZE</p> <p>TRIGger:A:BUS:B<x>:RS232C:RX:DATA:VALue</p> <p>TRIGger:A:BUS:B<x>:RS232C:TX:DATA:SIZE</p> <p>TRIGger:A:BUS:B<x>:RS232C:TX:DATA:VALue</p>

Application Module	Commands
DPO4EMBD	<p>Embedded Serial Triggering and Analysis Module. Enables triggering on packet-level information on I2C and SPI buses as well as analytical tools such as digital views of the signal, bus views, packet decoding, search tools, and packet decode tables with time-stamp information.</p>
	<p>BUS:B<x>:I2C:ADDRess:RWINClude BUS:B<x>:I2C{:CLOCK :SCLk}:SOURce BUS:B<x>:I2C{:DATA :SDAta}:SOURce BUS:B<x>:SPI:BITOrder BUS:B<x>:SPI{:CLOCK :SCLk}:POLarity BUS:B<x>:SPI{:CLOCK :SCLk}:SOURce BUS:B<x>:SPI:DATA{:IN :MISO}:POLarity BUS:B<x>:SPI:DATA{:IN :MISO}:SOURce BUS:B<x>:SPI:DATA{:OUT :MOSI}:POLarity BUS:B<x>:SPI:DATA{:OUT :MOSI}:SOURce BUS:B<x>:SPI:DATA:SIZE BUS:B<x>:SPI:FRAMING BUS:B<x>:SPI:IDLETime BUS:B<x>:SPI{:SElect :SS}:POLarity BUS:B<x>:SPI{:SElect :SS}:SOURce SEARCH:SEARCH<x>:TRIGger:A:BUS:B<x>:I2C:ADDRess:MODE SEARCH:SEARCH<x>:TRIGger:A:BUS:B<x>:I2C:ADDRess:TYPe SEARCH:SEARCH<x>:TRIGger:A:BUS:B<x>:I2C:ADDRess:VALue SEARCH:SEARCH<x>:TRIGger:A:BUS:B<x>:I2C:CONDition SEARCH:SEARCH<x>:TRIGger:A:BUS:B<x>:I2C:DATA:DIRection SEARCH:SEARCH<x>:TRIGger:A:BUS:B<x>:I2C:DATA:SIZE SEARCH:SEARCH<x>:TRIGger:A:BUS:B<x>:I2C:DATA:VALue SEARCH:SEARCH<x>:TRIGger:A:BUS:B<x>:SPI:CONDition SEARCH:SEARCH<x>:TRIGger:A:BUS:B<x>:SPI:DATA{:MISO :IN}:VALue SEARCH:SEARCH<x>:TRIGger:A:BUS:B<x>:SPI:DATA{:MOSI :OUT}:VALue SEARCH:SEARCH<x>:TRIGger:A:BUS:B<x>:SPI:DATA:SIZE TRIGger:A:BUS:B<x>:I2C:ADDRess:MODE TRIGger:A:BUS:B<x>:I2C:ADDRess:TYPe TRIGger:A:BUS:B<x>:I2C:ADDRess:VALue TRIGger:A:BUS:B<x>:I2C:CONDition TRIGger:A:BUS:B<x>:I2C:DATA:DIRection TRIGger:A:BUS:B<x>:I2C:DATA:SIZE TRIGger:A:BUS:B<x>:I2C:DATA:VALue TRIGger:A:BUS:B<x>:SPI:CONDition TRIGger:A:BUS:B<x>:SPI:DATA{:IN :MISO}:VALue TRIGger:A:BUS:B<x>:SPI:DATA{:OUT :MOSI}:VALue TRIGger:A:BUS:B<x>:SPI:DATA:SIZE</p>

Application Module	Commands
DPO4ENET	<p data-bbox="375 264 1427 359">Ethernet Serial Triggering and Analysis Module. Enables triggering on packet-level information on 10BASE-T and 100BASE-TX buses as well as analytical tools such as digital views of the signal, bus views, packet decoding, search tools, and packet decode tables with time-stamp information.</p> <p data-bbox="375 369 669 401">BUS:B<x>:ETHERnet:PRObe</p> <p data-bbox="375 411 703 443">BUS:B<x>:ETHERnet:PROTOcol</p> <p data-bbox="375 453 802 485">BUS:B<x>:ETHERnet:SOURce:DIFFerential</p> <p data-bbox="375 495 760 527">BUS:B<x>:ETHERnet:SOURce:DMINus</p> <p data-bbox="375 537 751 569">BUS:B<x>:ETHERnet:SOURce:DPLUs</p> <p data-bbox="375 579 651 611">BUS:B<x>:ETHERnet:TYPe</p> <p data-bbox="375 621 1040 653">SEARCH:SEARCH<x>:TRIGger:A:BUS:B<x>:ETHERnet:CONDition</p> <p data-bbox="375 663 1081 695">SEARCH:SEARCH<x>:TRIGger:A:BUS:B<x>:ETHERnet:DATA:HIVALue</p> <p data-bbox="375 705 1073 737">SEARCH:SEARCH<x>:TRIGger:A:BUS:B<x>:ETHERnet:DATA:OFFSet</p> <p data-bbox="375 747 1040 779">SEARCH:SEARCH<x>:TRIGger:A:BUS:B<x>:ETHERnet:DATA:SIZE</p> <p data-bbox="375 789 1057 821">SEARCH:SEARCH<x>:TRIGger:A:BUS:B<x>:ETHERnet:DATA:VALue</p> <p data-bbox="375 831 1065 863">SEARCH:SEARCH<x>:TRIGger:A:BUS:B<x>:ETHERnet:FRAMETYPe</p> <p data-bbox="375 873 1268 905">SEARCH:SEARCH<x>:TRIGger:A:BUS:B<x>:ETHERnet:IPHeader:DESTinationaddr:VALue</p> <p data-bbox="375 915 1211 947">SEARCH:SEARCH<x>:TRIGger:A:BUS:B<x>:ETHERnet:IPHeader:PROTOcol:VALue</p> <p data-bbox="375 957 1227 989">SEARCH:SEARCH<x>:TRIGger:A:BUS:B<x>:ETHERnet:IPHeader:SOURceaddr:VALue</p> <p data-bbox="375 999 1284 1031">SEARCH:SEARCH<x>:TRIGger:A:BUS:B<x>:ETHERnet:MAC:ADDRess:DESTination:VALue</p> <p data-bbox="375 1041 1243 1073">SEARCH:SEARCH<x>:TRIGger:A:BUS:B<x>:ETHERnet:MAC:ADDRess:SOURce:VALue</p> <p data-bbox="375 1083 1235 1115">SEARCH:SEARCH<x>:TRIGger:A:BUS:B<x>:ETHERnet:MAC{:LENGth}:TYPE}:HIVALue</p> <p data-bbox="375 1125 1211 1157">SEARCH:SEARCH<x>:TRIGger:A:BUS:B<x>:ETHERnet:MAC{:LENGth}:TYPE}:VALue</p> <p data-bbox="375 1167 1065 1199">SEARCH:SEARCH<x>:TRIGger:A:BUS:B<x>:ETHERnet:QTAG:VALue</p> <p data-bbox="375 1209 1032 1241">SEARCH:SEARCH<x>:TRIGger:A:BUS:B<x>:ETHERnet:QUALifier</p> <p data-bbox="375 1251 1211 1283">SEARCH:SEARCH<x>:TRIGger:A:BUS:B<x>:ETHERnet:TCPHeader:ACKnum:VALue</p> <p data-bbox="375 1293 1284 1325">SEARCH:SEARCH<x>:TRIGger:A:BUS:B<x>:ETHERnet:TCPHeader:DESTinationport:VALue</p> <p data-bbox="375 1335 1211 1367">SEARCH:SEARCH<x>:TRIGger:A:BUS:B<x>:ETHERnet:TCPHeader:SEQnum:VALue</p> <p data-bbox="375 1377 1243 1409">SEARCH:SEARCH<x>:TRIGger:A:BUS:B<x>:ETHERnet:TCPHeader:SOURceport:VALue</p> <p data-bbox="375 1419 813 1451">TRIGger:A:BUS:B<x>:ETHERnet:CONDition</p> <p data-bbox="375 1461 854 1493">TRIGger:A:BUS:B<x>:ETHERnet:DATA:HIVALue</p> <p data-bbox="375 1503 846 1535">TRIGger:A:BUS:B<x>:ETHERnet:DATA:OFFSet</p> <p data-bbox="375 1545 813 1577">TRIGger:A:BUS:B<x>:ETHERnet:DATA:SIZE</p> <p data-bbox="375 1587 829 1619">TRIGger:A:BUS:B<x>:ETHERnet:DATA:VALue</p> <p data-bbox="375 1629 837 1661">TRIGger:A:BUS:B<x>:ETHERnet:FRAMETYPe</p> <p data-bbox="375 1671 1040 1703">TRIGger:A:BUS:B<x>:ETHERnet:IPHeader:DESTinationaddr:VALue</p> <p data-bbox="375 1713 984 1745">TRIGger:A:BUS:B<x>:ETHERnet:IPHeader:PROTOcol:VALue</p> <p data-bbox="375 1755 1000 1787">TRIGger:A:BUS:B<x>:ETHERnet:IPHeader:SOURceaddr:VALue</p> <p data-bbox="375 1797 1057 1829">TRIGger:A:BUS:B<x>:ETHERnet:MAC:ADDRess:DESTination:VALue</p> <p data-bbox="375 1839 1016 1871">TRIGger:A:BUS:B<x>:ETHERnet:MAC:ADDRess:SOURce:VALue</p> <p data-bbox="375 1881 1008 1913">TRIGger:A:BUS:B<x>:ETHERnet:MAC{:LENGth}:TYPE}:HIVALue</p>

Application Module	Commands
DPO4ENET	<code>TRIGger:A:BUS:B<x>:ETHERnet:MAC{:LENgth :TYPe}:VALue</code> <code>TRIGger:A:BUS:B<x>:ETHERnet:QTAG:VALue</code> <code>TRIGger:A:BUS:B<x>:ETHERnet:QUALifier</code> <code>TRIGger:A:BUS:B<x>:ETHERnet:TCPHeader:ACKnum:VALue</code> <code>TRIGger:A:BUS:B<x>:ETHERnet:TCPHeader:DESTinationport:VALue</code> <code>TRIGger:A:BUS:B<x>:ETHERnet:TCPHeader:SEQnum:VALue</code> <code>TRIGger:A:BUS:B<x>:ETHERnet:TCPHeader:SOUrceport:VALue</code>

Application Module	Commands
DPO4LMT	<p data-bbox="375 264 1401 327">Enables testing against limit masks generated from "golden" waveforms and mask testing using standard telecommunications, computer industry, or custom user-defined masks.</p> <p data-bbox="375 338 558 369">APPLication:TYPe</p> <p data-bbox="375 380 589 411">MASK:COpy:SOUrce</p> <p data-bbox="375 422 573 453">MASK:COpy:USER</p> <p data-bbox="375 464 521 495">MASK:COUNT</p> <p data-bbox="375 506 643 537">MASK:COUNT:FAILURES?</p> <p data-bbox="375 548 586 579">MASK:COUNT:HITS?</p> <p data-bbox="375 590 675 621">MASK:COUNT:SEG<x>:HITS?</p> <p data-bbox="375 632 607 663">MASK:COUNT:TESTS?</p> <p data-bbox="375 674 667 705">MASK:COUNT:VIOLATIONS?</p> <p data-bbox="375 716 678 747">MASK:COUNT:WAVEFORMS?</p> <p data-bbox="375 758 537 789">MASK:CUSTom</p> <p data-bbox="375 800 526 831">MASK:DISplay</p> <p data-bbox="375 842 505 873">MASK:LOCK</p> <p data-bbox="375 884 623 915">MASK:MARgin:PERCent</p> <p data-bbox="375 926 526 957">MASK:SOUrce</p> <p data-bbox="375 968 548 999">MASK:STANdard</p> <p data-bbox="375 1010 618 1041">MASK:STOPOnviolation</p> <p data-bbox="375 1052 695 1083">MASK:TEMLate:CREATEmask</p> <p data-bbox="375 1094 634 1125">MASK:TEMLate:SOUrce</p> <p data-bbox="375 1136 776 1167">MASK:TEMLate:TOLerance:HORizontal</p> <p data-bbox="375 1178 760 1209">MASK:TEMLate:TOLerance:VERTical</p> <p data-bbox="375 1220 708 1251">MASK:TEST:AUXout:COMPLetion</p> <p data-bbox="375 1262 659 1293">MASK:TEST:AUXout:FAILure</p> <p data-bbox="375 1304 727 1335">MASK:TEST:COMPLetion:CRITerion</p> <p data-bbox="375 1346 570 1377">MASK:TEST:DELay</p> <p data-bbox="375 1388 613 1419">MASK:TEST:HARDCopy</p> <p data-bbox="375 1430 578 1461">MASK:TEST:REPeat</p> <p data-bbox="375 1472 630 1503">MASK:TEST:SAVEIMAGE</p> <p data-bbox="375 1514 610 1545">MASK:TEST:SAVEWFM</p> <p data-bbox="375 1556 678 1587">MASK:TEST:SRQ:COMPLetion</p> <p data-bbox="375 1598 634 1629">MASK:TEST:SRQ:FAILure</p> <p data-bbox="375 1640 570 1671">MASK:TEST:STATE</p> <p data-bbox="375 1682 586 1713">MASK:TEST:STATus?</p> <p data-bbox="375 1724 643 1755">MASK:TEST:STOP:FAILure</p> <p data-bbox="375 1766 610 1797">MASK:TEST:THReshold</p>

Application Module	Commands
DPO4LMT	MASK:TEST:TIME MASK:TEST:WAVEform MASK:USER:AMPLitude MASK:USER:HSCALE MASK:USER:HTRIGPOS MASK:USER:LABel MASK:USER:RECOrdlength MASK:USER{:SEG<x>}:MASK<x>} MASK:USER{:SEG<x>}:MASK<x>}:NR_Pt? MASK:USER{:SEG<x>}:MASK<x>}:POINTS MASK:USER:TRIGTOSAMP MASK:USER:VOFFSet MASK:USER:VPOS MASK:USER:VSCALE MASK:USER:WIDth RECALL:MASK SAVE:MASK

Application Module	Commands
DPO4PWR	Power Analysis Application Module. Enables quick and accurate analysis of power quality, switching loss, harmonics, safe operating area (SOA), modulation, ripple, and slew rate (dI/dt, dV/dt).
	<p>APPLication:TYPe</p> <p>POWer:CURRENTSource</p> <p>POWer:QUALity:VCRESTfactor?</p> <p>POWer:DISplay</p> <p>POWer:GATESource</p> <p>POWer:GATing</p> <p>POWer:HARMonics:DISplay:SElect</p> <p>POWer:HARMonics:DISplay:TYPe</p> <p>POWer:HARMonics:FREQRef</p> <p>POWer:HARMonics:FREQRef:FIXEDFREQValue</p> <p>POWer:HARMonics:IEC:CLAss</p> <p>POWer:HARMonics:IEC:FILter</p> <p>POWer:HARMonics:IEC:FUNDamental</p> <p>POWer:HARMonics:IEC:GROUping</p> <p>POWer:HARMonics:IEC:INPUTPOWER</p> <p>POWer:HARMonics:IEC:LINEFREQuency</p> <p>POWer:HARMonics:IEC:OBSPERiod</p> <p>POWer:HARMonics:IEC:POWERFACTor</p> <p>POWer:HARMonics:MIL:FUNDamental:CALCmethod</p> <p>POWer:HARMonics:MIL:FUNDamental:USER:CURrent</p> <p>POWer:HARMonics:MIL:LINEFREQuency</p> <p>POWer:HARMonics:MIL:POWERLEVEl</p> <p>POWer:HARMonics:NR_HARMonics</p> <p>POWer:HARMonics:RESults:HAR<1-400>:FREQuency?</p> <p>POWer:HARMonics:RESults:HAR<1-400>:IECMAX?</p> <p>POWer:HARMonics:RESults:HAR<1-400>:LIMit?</p> <p>POWer:HARMonics:RESults:HAR<1-400>:PHASe?</p> <p>POWer:HARMonics:RESults:HAR<1-400>:RMS:ABSolute?</p> <p>POWer:HARMonics:RESults:HAR<1-400>:RMS:PERCent?</p> <p>POWer:HARMonics:RESults:HAR<1-400>:TEST:IEC:CLASSALIMit?</p> <p>POWer:HARMonics:RESults:HAR<1-400>:TEST:IEC:NORMAL?</p> <p>POWer:HARMonics:RESults:HAR<1-400>:TEST:IEC:POHCLIMit?</p> <p>POWer:HARMonics:RESults:HAR<1-400>:TEST:MIL:NORMAL?</p> <p>POWer:HARMonics:RESults:IEC:FUNDamental?</p> <p>POWer:HARMonics:RESults:IEC:HARM3ALTernate?</p> <p>POWer:HARMonics:RESults:IEC:HARM5ALTernate?</p>

Application Module	Commands
DPO4PWR	POWer:HARMonics:RESults:IEC:POHC? POWer:HARMonics:RESults:IEC:POHL? POWer:HARMonics:RESults:IEC:POWer? POWer:HARMonics:RESults:IEC:POWERFactor? POWer:HARMonics:RESults:PASSFail? POWer:HARMonics:RESults:RMS? POWer:HARMonics:RESults:SAVe POWer:HARMonics:RESults:THDF? POWer:HARMonics:RESults:THDR? POWer:HARMonics:SOURce POWer:HARMonics:STANDard POWer:INDICators POWer:MODulation:SOURce POWer:MODulation:TYPe POWer:QUALity:APPpwr? POWer:QUALity:DISplay:APPpwr POWer:QUALity:DISplay:FREQuency POWer:QUALity:DISplay:ICRESTfactor POWer:QUALity:DISplay:IRMS POWer:QUALity:DISplay:PHASEangle POWer:QUALity:DISplay:POWERFACTOR POWer:QUALity:DISplay:REACTpwr POWer:QUALity:DISplay:TRUEpwr POWer:QUALity:DISplay:VCRESTfactor POWer:QUALity:DISplay:VRMS POWer:QUALity:FREQREFerence POWer:QUALity:FREQuency? POWer:QUALity:ICRESTfactor? POWer:QUALity:IRMS? POWer:QUALity:PHASEangle? POWer:QUALity:POWERFACTOR? POWer:QUALity:REACTpwr? POWer:QUALity:TRUEpwr? POWer:QUALity:VRMS? POWer:REFLevel:ABSolute POWer:REFLevel:ABSolute:HIGH POWer:REFLevel:ABSolute:LOW POWer:REFLevel:ABSolute:MID<x> POWer:REFLevel:HYSTeresis

Application Module	Commands
DPO4PWR	POWer:REFLevel:METhod
	POWer:REFLevel:PERCent
	POWer:REFLevel:PERCent:HIGH
	POWer:REFLevel:PERCent:LOW
	POWer:REFLevel:PERCent:MID<x>
	POWer:RIPPlE
	POWer:RIPPlE:RESults:AMPLitude?
	POWer:RIPPlE:RESults:MAX?
	POWer:RIPPlE:RESults:MEAN?
	POWer:RIPPlE:RESults:MIN?
	POWer:RIPPlE:RESults:STDdev?
	POWer:RIPPlE:SOUrce
	POWer:SOA:LINear:XMAX
	POWer:SOA:LINear:XMIN
	POWer:SOA:LINear:YMAX
	POWer:SOA:LINear:YMIN
	POWer:SOA:LOG:XMAX
	POWer:SOA:LOG:XMIN
	POWer:SOA:LOG:YMAX
	POWer:SOA:LOG:YMIN
	POWer:SOA:MASK:DEFine
	POWer:SOA:MASK:MAXAmps
	POWer:SOA:MASK:MAXVolts
	POWer:SOA:MASK:MAXWatts
	POWer:SOA:MASK:NR_Pt?
	POWer:SOA:MASK:STATE
	POWer:SOA:MASK:STOPOnviol
	POWer:SOA:PLOTTPe
	POWer:SOA:RESult:FAILures:QTY?
	POWer:SOA:RESult:NUMACq?
	POWer:SOA:RESult:STATE?
	POWer:STATIstics
	POWer:STATIstics:MODe
	POWer:STATIstics:WEIghting
	POWer:SWLoss:CONDCALCmethod
	POWer:SWLoss:CONDUction:ENERGY:MAX?
	POWer:SWLoss:CONDUction:ENERGY:MEAN?
	POWer:SWLoss:CONDUction:ENERGY:MIN?
	POWer:SWLoss:CONDUction:POWer:MAX?
	POWer:SWLoss:CONDUction:POWer:MEAN?
	POWer:SWLoss:CONDUction:POWer:MIN?

Application Module	Commands
DPO4PWR	POWer:SWLoss:DISplay POWer:SWLoss:GATe:POLarity POWer:SWLoss:GATe:TURNON POWer:SWLoss:NUMCYCles? POWer:SWLoss:RDson POWer:SWLoss:REFLevel:ABSolute:GATEMid POWer:SWLoss:REFLevel:ABSolute:LOWCurrent POWer:SWLoss:REFLevel:ABSolute:LOWVoltage POWer:SWLoss:REFLevel:PERCent:GATEMid POWer:SWLoss:REFLevel:PERCent:LOWCurrent POWer:SWLoss:REFLevel:PERCent:LOWVoltage POWer:SWLoss:TOFF:ENERGY:MAX? POWer:SWLoss:TOFF:ENERGY:MEAN? POWer:SWLoss:TOFF:ENERGY:MIN? POWer:SWLoss:TOFF:POWer:MAX? POWer:SWLoss:TOFF:POWer:MEAN? POWer:SWLoss:TOFF:POWer:MIN? POWer:SWLoss:TON:ENERGY:MAX? POWer:SWLoss:TON:ENERGY:MEAN? POWer:SWLoss:TON:ENERGY:MIN? POWer:SWLoss:TON:POWer:MAX? POWer:SWLoss:TON:POWer:MEAN? POWer:SWLoss:TON:POWer:MIN? POWer:SWLoss:TOTal:ENERGY:MAX? POWer:SWLoss:TOTal:ENERGY:MEAN? POWer:SWLoss:TOTal:ENERGY:MIN? POWer:SWLoss:TOTal:POWer:MAX? POWer:SWLoss:TOTal:POWer:MEAN? POWer:SWLoss:TOTal:POWer:MIN? POWer:SWLoss:VCEsat POWer:TYPE POWer:VOLTAGESource

Application Module	Commands
DPO4USB	<p>USB Serial Triggering and Analysis Module. Enables triggering on packet-level content for low-speed, full-speed, and high-speed USB serial buses. Also enables analytical tools such as digital views of the signal, bus views, packet decoding, search tools, and packet decode tables with time-stamp information for low-speed, full-speed, and high-speed USB serial buses.</p> <hr/> <p>BUS:B<x>:USB:BITRate BUS:B<x>:USB:PRObe BUS:B<x>:USB:SOUrce:DIFFerential BUS:B<x>:USB:SOUrce:DMINus BUS:B<x>:USB:SOUrce:DPLUs SEARCH:SEARCH<x>:TRIGger:A:BUS:B<x>:USB:ADDRes:HIVALue SEARCH:SEARCH<x>:TRIGger:A:BUS:B<x>:USB:ADDRes:VALue SEARCH:SEARCH<x>:TRIGger:A:BUS:B<x>:USB:CONDition SEARCH:SEARCH<x>:TRIGger:A:BUS:B<x>:USB:DATa:HIVALue SEARCH:SEARCH<x>:TRIGger:A:BUS:B<x>:USB:DATa:OFFSet SEARCH:SEARCH<x>:TRIGger:A:BUS:B<x>:USB:DATa:SIze SEARCH:SEARCH<x>:TRIGger:A:BUS:B<x>:USB:DATa:TYPe SEARCH:SEARCH<x>:TRIGger:A:BUS:B<x>:USB:DATa:VALue SEARCH:SEARCH<x>:TRIGger:A:BUS:B<x>:USB:ENDPoint:VALue SEARCH:SEARCH<x>:TRIGger:A:BUS:B<x>:USB:ERRTYPE SEARCH:SEARCH<x>:TRIGger:A:BUS:B<x>:USB:HANDSHAKEType SEARCH:SEARCH<x>:TRIGger:A:BUS:B<x>:USB:QUALifier SEARCH:SEARCH<x>:TRIGger:A:BUS:B<x>:USB:SOFFRAMENUMber SEARCH:SEARCH<x>:TRIGger:A:BUS:B<x>:USB:SPECIALType SEARCH:SEARCH<x>:TRIGger:A:BUS:B<x>:USB:SPLit:ET:VALue SEARCH:SEARCH<x>:TRIGger:A:BUS:B<x>:USB:SPLit:HUB:VALue SEARCH:SEARCH<x>:TRIGger:A:BUS:B<x>:USB:SPLit:PORT:VALue SEARCH:SEARCH<x>:TRIGger:A:BUS:B<x>:USB:SPLit:SC:VALue SEARCH:SEARCH<x>:TRIGger:A:BUS:B<x>:USB:SPLit:SE:VALue SEARCH:SEARCH<x>:TRIGger:A:BUS:B<x>:USB:TOKENType TRIGger:A:BUS:B<x>:USB:ADDRes:HIVALue TRIGger:A:BUS:B<x>:USB:ADDRes:VALue TRIGger:A:BUS:B<x>:USB:CONDition TRIGger:A:BUS:B<x>:USB:DATa:HIVALue TRIGger:A:BUS:B<x>:USB:DATa:OFFSet TRIGger:A:BUS:B<x>:USB:DATa:SIze TRIGger:A:BUS:B<x>:USB:DATa:TYPe TRIGger:A:BUS:B<x>:USB:DATa:VALue TRIGger:A:BUS:B<x>:USB:ENDPoint:VALue TRIGger:A:BUS:B<x>:USB:ERRTYPE TRIGger:A:BUS:B<x>:USB:HANDSHAKEType</p> <hr/>

Application Module	Commands
DPO4USB	<p>TRIGger:A:BUS:B<x>:USB:QUALifier</p> <p>TRIGger:A:BUS:B<x>:USB:SOFFRAMENUMber</p> <p>TRIGger:A:BUS:B<x>:USB:SPECIALType</p> <p>TRIGger:A:BUS:B<x>:USB:SPLit:ET:VALue</p> <p>TRIGger:A:BUS:B<x>:USB:SPLit:HUB:VALue</p> <p>TRIGger:A:BUS:B<x>:USB:SPLit:PORT:VALue</p> <p>TRIGger:A:BUS:B<x>:USB:SPLit:SC:VALue</p> <p>TRIGger:A:BUS:B<x>:USB:SPLit:SE:VALue</p> <p>TRIGger:A:BUS:B<x>:USB:TOKENType</p>
DPO4VID	<p>HDTV and Custom (nonstandard) Video Triggering Module.</p> <p>TRIGger:A:VIDeo:CUSTom{:FORMat}:TYPE}</p> <p>TRIGger:A:VIDeo:CUSTom:LINEPeriod</p> <p>TRIGger:A:VIDeo:CUSTom:SYNcInterval</p> <p>TRIGger:A:VIDeo:STANdard (The application module enables the arguments for HDTV and custom (nonstandard) to be used with this command.)</p>
MDO4TRIG	<p>Advanced RF Power Level Triggering Module. Enables the power level on the RF input to be used as a source in the following trigger types: Pulse Width, Runt, Timeout, Logic, and Sequence.</p> <p>TRIGger:A:LOGic:CLAss *</p> <p>TRIGger:A:LOGic:INPut:CLOCK:SOURce*</p> <p>TRIGger:A:LOGic:INPut:RF</p> <p>TRIGger:A:LOGic:THReshold:RF</p> <p>TRIGger:A:LOWerthreshold:RF</p> <p>TRIGger:A:PULSEWidth:SOURce*</p> <p>TRIGger:A:RUNT:SOURce*</p> <p>TRIGger:A:TIMEOut:SOURce*</p> <p>TRIGger:A:UPPerthreshold:RF</p> <p>TRIGger:B:EDGE:SOURce*</p> <p>* The application module enables the RF argument for this command.</p>

Index

Symbols and Numbers

, 2-96

A

ACQUIRE:MAGNIVU, 2-101
ACQUIRE:MAXSAMPLERATE?, 2-102
ACQUIRE:MODE, 2-102
ACQUIRE:NUMACQ?, 2-103
ACQUIRE:NUMAVG, 2-103
ACQUIRE:NUMENV, 2-104
ACQUIRE:STATE, 2-105
ACQUIRE:STOPAFTER, 2-105
ACQUIRE?, 2-101
Acquisition Command Group, 2-11
Alias Command Group, 2-11
ALIAS:CATALOG?, 2-106
ALIAS:DEFINE, 2-106
ALIAS:DELETE:ALL, 2-107
ALIAS:DELETE[:NAME], 2-107
ALIAS[:STATE], 2-108
ALLEV?, 2-108
APPLICATION:LICENSE:SLOT<x>:LOCATION?, 2-109
APPLICATION:LICENSE:SLOT<x>:
 TRANSFER, 2-110
APPLICATION:LICENSE:SLOT<x>:TYPE?, 2-111
APPLICATION:TYPE, 2-111
AUTOSet, 2-112
AUTOSet:ENABLE, 2-112
AUXIN:PROBE, 2-113
AUXIN:PROBE:AUTOZERO, 2-113
AUXIN:PROBE:CALIBRATE:CALIBRATABLE?, 2-114
AUXIN:PROBE:COMMAND, 2-114
AUXIN:PROBE:DEGAUSS, 2-115
AUXIN:PROBE:DEGAUSS:STATE?, 2-115
AUXIN:PROBE:FORCEDRANGE, 2-115
AUXIN:PROBE:GAIN, 2-116
AUXIN:PROBE:ID:SERIALNUMBER?, 2-116
AUXIN:PROBE:ID:TYPE?, 2-116
AUXIN:PROBE:RESISTANCE?, 2-117
AUXIN:PROBE:SIGNAL, 2-117
AUXIN:PROBE:UNITS?, 2-117
AUXIN?, 2-113
AUXOUT:SOURCE, 2-118

B

BUS:B<x>:AUDIO:BITDELAY, 2-119
BUS:B<x>:AUDIO:BITORDER, 2-119
BUS:B<x>:AUDIO:CHANNEL:SIZE, 2-120
BUS:B<x>:AUDIO:CLOCK:POLARITY, 2-120
BUS:B<x>:AUDIO:CLOCK:SOURCE, 2-121
BUS:B<x>:AUDIO:DATA:POLARITY, 2-121
BUS:B<x>:AUDIO:DATA:SIZE, 2-122
BUS:B<x>:AUDIO:DATA:SOURCE, 2-123
BUS:B<x>:AUDIO:DISPLAY:FORMAT, 2-123
BUS:B<x>:AUDIO:FRAME:SIZE, 2-124
BUS:B<x>:AUDIO:FRAMESYNC:POLARITY, 2-124
BUS:B<x>:AUDIO:FRAMESYNC:SOURCE, 2-125
BUS:B<x>:AUDIO:TYPE, 2-125
BUS:B<x>:AUDIO:WORDSEL:POLARITY, 2-126
BUS:B<x>:AUDIO:WORDSEL:SOURCE, 2-127
BUS:B<x>:CAN:BITRATE, 2-127
BUS:B<x>:CAN:PROBE, 2-128
BUS:B<x>:CAN:SAMPLEPOINT, 2-128
BUS:B<x>:CAN:SOURCE, 2-129
BUS:B<x>:DISPLAY:FORMAT, 2-129
BUS:B<x>:DISPLAY:TYPE, 2-130
BUS:B<x>:ETHERNET:PROBE, 2-131
BUS:B<x>:ETHERNET:PROTOCOL, 2-131
BUS:B<x>:ETHERNET:SOURCE:DIFFERENTIAL, 2-132
BUS:B<x>:ETHERNET:SOURCE:DMINUS, 2-133
BUS:B<x>:ETHERNET:SOURCE:DPLUs, 2-134
BUS:B<x>:ETHERNET:TYPE, 2-134
BUS:B<x>:FLEXRAY:BITRATE, 2-135
BUS:B<x>:FLEXRAY:CHANNEL, 2-135
BUS:B<x>:FLEXRAY:SIGNAL, 2-136
BUS:B<x>:FLEXRAY:SOURCE, 2-136
BUS:B<x>:I2C:ADDRESS:RWINCLUDE, 2-137
BUS:B<x>:I2C{:CLOCK|:SCLK}:SOURCE, 2-138
BUS:B<x>:I2C{:DATA|:SDATA}:SOURCE, 2-138
BUS:B<x>:LABEL, 2-139
BUS:B<x>:LIN:BITRATE, 2-139
BUS:B<x>:LIN:IDFORMAT, 2-139
BUS:B<x>:LIN:POLARITY, 2-140
BUS:B<x>:LIN:SAMPLEPOINT, 2-140
BUS:B<x>:LIN:SOURCE, 2-141
BUS:B<x>:LIN:STANDARD, 2-141
BUS:B<x>:MIL1553B:POLARITY, 2-142

BUS:B<x>:MIL1553B:RESPonsetime:
 MAXimum, 2-142
 BUS:B<x>:MIL1553B:RESPonsetime:
 MINimum, 2-143
 BUS:B<x>:MIL1553B:SOUrce, 2-144
 BUS:B<x>:PARallel:BIT<x>:SOUrce, 2-144
 BUS:B<x>:PARallel:CLOCK:EDGE, 2-145
 BUS:B<x>:PARallel:CLOCK:ISCLOCKed, 2-145
 BUS:B<x>:PARallel:CLOCK:SOUrce, 2-146
 BUS:B<x>:PARallel:WIDth, 2-146
 BUS:B<x>:POSition, 2-146
 BUS:B<x>:RS232C:BITRate, 2-147
 BUS:B<x>:RS232C:DATAbits, 2-147
 BUS:B<x>:RS232C:DELIMiter, 2-147
 BUS:B<x>:RS232C:DISPlaymode, 2-148
 BUS:B<x>:RS232C:PARity, 2-148
 BUS:B<x>:RS232C:POLarity, 2-149
 BUS:B<x>:RS232C:RX:SOUrce, 2-149
 BUS:B<x>:RS232C:TX:SOUrce, 2-150
 BUS:B<x>:SPI:BITOrder, 2-150
 BUS:B<x>:SPI:DATA:SIZE, 2-153
 BUS:B<x>:SPI:DATA{:IN|:MISO}:POLarity, 2-152
 BUS:B<x>:SPI:DATA{:IN|:MISO}:SOUrce, 2-152
 BUS:B<x>:SPI:DATA{:OUT|:MOSI}:POLarity, 2-152
 BUS:B<x>:SPI:DATA{:OUT|:MOSI}:SOUrce, 2-153
 BUS:B<x>:SPI:FRAMING, 2-154
 BUS:B<x>:SPI:IDLETime, 2-154
 BUS:B<x>:SPI{:CLOCK|:SCLk}:POLarity, 2-151
 BUS:B<x>:SPI{:CLOCK|:SCLk}:SOUrce, 2-151
 BUS:B<x>:SPI{:SELEct|:SS}:POLarity, 2-155
 BUS:B<x>:SPI{:SELEct|:SS}:SOUrce, 2-155
 BUS:B<x>:STATE, 2-156
 BUS:B<x>:TYPE, 2-156
 BUS:B<x>:USB:BITRate, 2-157
 BUS:B<x>:USB:PRObe, 2-157
 BUS:B<x>:USB:SOUrce:DIFFerential, 2-158
 BUS:B<x>:USB:SOUrce:DMINus, 2-159
 BUS:B<x>:USB:SOUrce:DPLUS, 2-159
 BUS:LOWerthreshold:CH<x>, 2-160
 BUS:LOWerthreshold:REF<x>, 2-161
 BUS:LOWerthreshold{:MATH|:MATH1}, 2-160
 BUS:THReshold:CH<x>, 2-162
 BUS:THReshold:D<x>, 2-162
 BUS:UPPerthreshold:CH<x>, 2-162
 BUS:UPPerthreshold:REF<x>, 2-164
 BUS:UPPerthreshold{:MATH|:MATH1}, 2-163
 BUS?, 2-118

BUSY?, 2-164

C

*CAL?, 2-165
 CALibrate:FACTory:STATus?, 2-165
 CALibrate:INTERNal, 2-166
 CALibrate:INTERNal:START, 2-166
 CALibrate:INTERNal:STATus?, 2-167
 CALibrate:RESults:FACTory?, 2-168
 CALibrate:RESults:SPC?, 2-168
 CALibrate:RESults?, 2-167
 CALibrate:RF, 2-168
 CALibrate:RF:START, 2-169
 CALibrate:RF:STATus?, 2-169
 Calibration and Diagnostic Command Group, 2-16
 CH<x>:AMPSVIAVOLTS:ENABLE, 2-170
 CH<x>:AMPSVIAVOLTS:FACTor, 2-170
 CH<x>:BANdwidth, 2-171
 CH<x>:COUPling, 2-171
 CH<x>:DESKew, 2-172
 CH<x>:INVert, 2-173
 CH<x>:LABel, 2-173
 CH<x>:OFFSet, 2-173
 CH<x>:POSition, 2-175
 CH<x>:PRObe:AUTOZero, 2-176
 CH<x>:PRObe:CALibrate, 2-176
 CH<x>:PRObe:CALibrate:CALIBRATABLe?, 2-177
 CH<x>:PRObe:CALibrate:STATE?, 2-177
 CH<x>:PRObe:COMMAND, 2-178
 CH<x>:PRObe:DEGAUss, 2-178
 CH<x>:PRObe:DEGAUss:STATE?, 2-179
 CH<x>:PRObe:FORCEDRange, 2-179
 CH<x>:PRObe:GAIN, 2-180
 CH<x>:PRObe:ID:SERnumber?, 2-180
 CH<x>:PRObe:ID:TYPE?, 2-181
 CH<x>:PRObe:ID?, 2-180
 CH<x>:PRObe:MODEL, 2-181
 CH<x>:PRObe:PROPDELay, 2-182
 CH<x>:PRObe:RECDESkew?, 2-182
 CH<x>:PRObe:RESistance?, 2-182
 CH<x>:PRObe:SIGNAL, 2-183
 CH<x>:PRObe:UNIts?, 2-183
 CH<x>:PRObe?, 2-175
 CH<x>:SCALE, 2-184
 CH<x>:TERmination, 2-184
 CH<x>:YUNits, 2-185
 CH<x>?, 2-170

- CLEARMenu, 2-186
 - *CLS, 2-186
 - Command Groups, 2-11
 - Configuration Command Group, 2-17
 - CONFIGuration:ADVMATH?, 2-186
 - CONFIGuration:ANALOG:GNDCPLG?, 2-187
 - CONFIGuration:ANALOG:
 - MAXBANDWidth?, 2-187
 - CONFIGuration:ANALOG:
 - MAXSAMPLERate?, 2-188
 - CONFIGuration:ANALOG:NUMCHANnels?, 2-188
 - CONFIGuration:ANALOG:RECLENS?, 2-188
 - CONFIGuration:ANALOG:VERTINVert?, 2-189
 - CONFIGuration:APPLications:LIMITMask?, 2-189
 - CONFIGuration:APPLications:POWer?, 2-189
 - CONFIGuration:AUXIN?, 2-190
 - CONFIGuration:BUSWAVEFORMS:AUDIO?, 2-190
 - CONFIGuration:BUSWAVEFORMS:CAN?, 2-191
 - CONFIGuration:BUSWAVEFORMS:
 - ETHERNET?, 2-191
 - CONFIGuration:BUSWAVEFORMS:
 - FLEXRAY?, 2-192
 - CONFIGuration:BUSWAVEFORMS:I2C?, 2-192
 - CONFIGuration:BUSWAVEFORMS:LIN?, 2-193
 - CONFIGuration:BUSWAVEFORMS:
 - MIL1553B?, 2-193
 - CONFIGuration:BUSWAVEFORMS:
 - NUMBUS?, 2-194
 - CONFIGuration:BUSWAVEFORMS:
 - PARALLEL?, 2-194
 - CONFIGuration:BUSWAVEFORMS:RS232C?, 2-194
 - CONFIGuration:BUSWAVEFORMS:SPI?, 2-195
 - CONFIGuration:BUSWAVEFORMS:USB:
 - HS?, 2-196
 - CONFIGuration:BUSWAVEFORMS:USB?, 2-195
 - CONFIGuration:DIGITAL:MAGNIVU?, 2-196
 - CONFIGuration:DIGITAL:
 - MAXSAMPLERate?, 2-197
 - CONFIGuration:DIGITAL:NUMCHANnels?, 2-197
 - CONFIGuration:EXTVIDEO?, 2-197
 - CONFIGuration:HISTOGRAM?, 2-198
 - CONFIGuration:NETWORKDRIVES?, 2-198
 - CONFIGuration:NUMMEAS?, 2-199
 - CONFIGuration:REFS:NUMREFS?, 2-199
 - CONFIGuration:RF:ADVTRIG?, 2-199
 - CONFIGuration:RF:MAXBANDWidth?, 2-200
 - CONFIGuration:RF:NUMCHANnels?, 2-200
 - CONFIGuration:ROSC?, 2-200
 - Cursor Command Group, 2-19
 - CURSor:DDT?, 2-201
 - CURSor:FUNCTion, 2-202
 - CURSor:HBArs:DELTA?, 2-203
 - CURSor:HBArs:POSITION<x>, 2-203
 - CURSor:HBArs:UNIts, 2-204
 - CURSor:HBArs:USE, 2-204
 - CURSor:HBArs?, 2-202
 - CURSor:MODE, 2-205
 - CURSor:SOUrce, 2-205
 - CURSor:VBArS:ALTERNATE<x>?, 2-206
 - CURSor:VBArS:DELTA?, 2-207
 - CURSor:VBArS:HPOS<x>?, 2-207
 - CURSor:VBArS:POSITION<x>, 2-208
 - CURSor:VBArS:UNIts, 2-208
 - CURSor:VBArS:USE, 2-209
 - CURSor:VBArS:VDELTA?, 2-210
 - CURSor:VBArS?, 2-206
 - CURSor:XY:POLar:RADIUS:DELTA?, 2-210
 - CURSor:XY:POLar:RADIUS:POSITION<x>?, 2-210
 - CURSor:XY:POLar:RADIUS:UNIts?, 2-210
 - CURSor:XY:POLar:THETA:DELTA?, 2-211
 - CURSor:XY:POLar:THETA:POSITION<x>?, 2-211
 - CURSor:XY:POLar:THETA:UNIts?, 2-211
 - CURSor:XY:PRODUCT:DELTA?, 2-211
 - CURSor:XY:PRODUCT:POSITION<x>?, 2-212
 - CURSor:XY:PRODUCT:UNIts?, 2-212
 - CURSor:XY:RATIO:DELTA?, 2-212
 - CURSor:XY:RATIO:POSITION<x>?, 2-212
 - CURSor:XY:RATIO:UNIts?, 2-213
 - CURSor:XY:READOUT, 2-213
 - CURSor:XY:RECTangular:X:DELTA?, 2-213
 - CURSor:XY:RECTangular:X:POSITION<x>, 2-213
 - CURSor:XY:RECTangular:X:UNIts?, 2-214
 - CURSor:XY:RECTangular:Y:DELTA?, 2-214
 - CURSor:XY:RECTangular:Y:POSITION<x>, 2-214
 - CURSor:XY:RECTangular:Y:UNIts?, 2-214
 - CURSor?, 2-201
 - CURVe, 2-215
- D**
- D<x>, 2-238
 - D<x>:LABel, 2-238
 - D<x>:POSition, 2-238
 - D<x>:THReshold, 2-239
 - DATa, 2-217

DATA:DESTINATION, 2-219
DATA:ENCdg, 2-219
DATA:SOURce, 2-222
DATA:START, 2-223
DATA:STOP, 2-223
DATA:WIDTH, 2-225
DATE, 2-226
*DDT, 2-226
DESE, 2-227
DESkew, 2-228
DESkew:DISPlay, 2-228
DIAG:LOOP:OPTion, 2-228
DIAG:LOOP:OPTion:NTIMes, 2-229
DIAG:LOOP:STOP, 2-229
DIAG:RESUlT:FLAG?, 2-230
DIAG:RESUlT:LOG?, 2-230
DIAG:SELEct, 2-231
DIAG:SELEct:<function>, 2-231
DIAG:STATE, 2-232
Display Command Group, 2-21
DISPlay:CLOCK, 2-233
DISPlay:DIGital:HEIght, 2-233
DISPlay:GRATICule, 2-234
DISPlay:INTENSITy:BACKLIght, 2-234
DISPlay:INTENSITy:GRATICule, 2-235
DISPlay:INTENSITy:WAVEform, 2-235
DISPlay:INTENSITy?, 2-234
DISPlay:PERSistence, 2-236
DISPlay:STYle:DOTsonly, 2-236
DISPlay:TRIGFrequency, 2-237
DISPlay:XY, 2-237
DISPlay?, 2-232

E

*ESE, 2-239
*ESR?, 2-240
Ethernet Command Group, 2-22
ETHERnet:DHCPbootp, 2-240
ETHERnet:DNS:IPADdRESS, 2-241
ETHERnet:DOMAINname, 2-241
ETHERnet:ENET:ADdRESS?, 2-242
ETHERnet:GATEWay:IPADdRESS, 2-242
ETHERnet:HTTTPort, 2-242
ETHERnet:IPADdRESS, 2-243
ETHERnet:LXI:LAN:PASSWord:ENABle, 2-243
ETHERnet:LXI:LAN:PASSWord:
 ESCOPEENABle, 2-244

ETHERnet:LXI:LAN:RESEt, 2-245
ETHERnet:LXI:LAN:SERVICENAME, 2-245
ETHERnet:LXI:LAN:STATUs?, 2-245
ETHERnet:NAME, 2-246
ETHERnet:NETWORKCONFig, 2-246
ETHERnet:PASSWord, 2-247
ETHERnet:PING, 2-247
ETHERnet:PING:STATUs?, 2-248
ETHERnet:SUBNETMask, 2-248
EVENT?, 2-249
EVMsg?, 2-249
EVQty?, 2-250

F

FACTory, 2-250
File System Command Group, 2-23
FILESystem:COpy, 2-252
FILESystem:CWD, 2-252
FILESystem:DELEte, 2-253
FILESystem:DIR?, 2-254
FILESystem:FORMat, 2-254
FILESystem:FREEspace?, 2-255
FILESystem:LDIR?, 2-255
FILESystem:MKDir, 2-256
FILESystem:MOUNT:AVAILABle?, 2-256
FILESystem:MOUNT:DRIVE, 2-257
FILESystem:MOUNT:LIST?, 2-258
FILESystem:READFile, 2-258
FILESystem:REName, 2-259
FILESystem:RMDir, 2-259
FILESystem:UNMOUNT:DRIVE, 2-260
FILESystem:WRITEFile, 2-260
FILESystem?, 2-251
FPAnel:HOLD, 2-261
FPAnel:PRESS, 2-261
FPAnel:TURN, 2-263

G

GPIBUsb:ADdRESS?, 2-264
GPIBUsb:ID?, 2-265

H

Hard copy Command Group, 2-24
HARDCopy, 2-265
HARDCopy:ACTIVeprinter, 2-265
HARDCopy:INKSaver, 2-266

- HARDCopy:LAYout, 2-266
 HARDCopy:PREVIEW, 2-267
 HARDCopy:PRINTer:ADD, 2-267
 HARDCopy:PRINTer:DELEte, 2-268
 HARDCopy:PRINTer:LIST?, 2-268
 HARDCopy:PRINTer:REName, 2-268
 HEADer|:HDR, 2-269
 Histogram Command Group, 2-24
 HISTogram:BOX, 2-270
 HISTogram:BOXPent, 2-271
 HISTogram:COUNt, 2-271
 HISTogram:DATA?, 2-272
 HISTogram:DISPlay, 2-273
 HISTogram:END?, 2-273
 HISTogram:MODE, 2-274
 HISTogram:SOURce, 2-275
 HISTogram:START?, 2-275
 HISTogram?, 2-269
 Horizontal Command Group, 2-25
 HORizontal:DELay:MODE, 2-276
 HORizontal:DELay:TIME, 2-277
 HORizontal:DIGital:RECOrdlength:
 MAGnivu?, 2-277
 HORizontal:DIGital:RECOrdlength:MAIn?, 2-278
 HORizontal:DIGital:SAMPLERate:MAGnivu?, 2-278
 HORizontal:DIGital:SAMPLERate:MAIn?, 2-278
 HORizontal:POSition, 2-278
 HORizontal:PREViewstate?, 2-279
 HORizontal:RECOrdlength, 2-279
 HORizontal:SCAle, 2-280
 HORizontal?, 2-276
- I**
- ID?, 2-280
 *IDN?, 2-281
- L**
- LANGUage, 2-281
 LOCK, 2-281
 *LRN?, 2-282
- M**
- Mark Command Group, 2-25
 MARK, 2-283
 MARK:CREATE, 2-284
 MARK:DELEte, 2-284
 MARK:FREE?, 2-285
 MARK:SAVEALL, 2-285
 MARK:SELEcted:END?, 2-285
 MARK:SELEcted:FOCUS?, 2-286
 MARK:SELEcted:MARKSINCOLumn?, 2-286
 MARK:SELEcted:OWNer?, 2-286
 MARK:SELEcted:SOURCe?, 2-286
 MARK:SELEcted:START?, 2-287
 MARK:SELEcted:STATE?, 2-287
 MARK:SELEcted:ZOOM:POSition?, 2-287
 MARK:TOTAl?, 2-287
 MARK:USERLIST, 2-288
 MARKER:M<x>:AMPLitude:ABSolute?, 2-290
 MARKER:M<x>:AMPLitude:DELTA?, 2-290
 MARKER:M<x>:FREQuency:ABSolute, 2-291
 MARKER:M<x>:FREQuency:DELTA?, 2-292
 MARKER:M<x>:NOISEDensity?, 2-292
 MARKER:M<x>:PHASENoise?, 2-293
 MARKER:MANual, 2-289
 MARKER:PEAK:EXCURsion, 2-293
 MARKER:PEAK:MAXimum, 2-294
 MARKER:PEAK:STATE, 2-295
 MARKER:PEAK:THREshold, 2-296
 MARKER:REFERence, 2-296
 MARKER:REFERence:AMPLITUDE?, 2-297
 MARKER:REFERence:FREQuency?, 2-297
 MARKER:TYPE, 2-298
 MASK:COpy:SOURce, 2-298
 MASK:COpy:USER, 2-301
 MASK:COUNt, 2-301
 MASK:COUNt:FAILURES?, 2-302
 MASK:COUNt:HITS?, 2-302
 MASK:COUNt:SEG<x>:HITS?, 2-303
 MASK:COUNt:TESTS?, 2-303
 MASK:COUNt:VIOLATIONS?, 2-304
 MASK:COUNt:WAVEFORMS?, 2-305
 MASK:CUSTom, 2-305
 MASK:DISPlay, 2-306
 MASK:LOCK, 2-307
 MASK:MARgin:PERCent, 2-307
 MASK:SOURce, 2-308
 MASK:STANDard, 2-309
 MASK:STOPOnviation, 2-311
 MASK:TEMPLate:CREATEmask, 2-312
 MASK:TEMPLate:SOURce, 2-313
 MASK:TEMPLate:TOLerance:HORizontal, 2-313
 MASK:TEMPLate:TOLerance:VERTical, 2-314

- MASK:TEST:AUXout:COMPLetion, 2-315
- MASK:TEST:AUXout:FAILure, 2-316
- MASK:TEST:COMPLetion:CRITerion, 2-317
- MASK:TEST:DELay, 2-318
- MASK:TEST:HARDCopy, 2-318
- MASK:TEST:REPeat, 2-319
- MASK:TEST:SAVEIMAGE, 2-320
- MASK:TEST:SAVEWFM, 2-321
- MASK:TEST:SRQ:COMPLetion, 2-322
- MASK:TEST:SRQ:FAILure, 2-322
- MASK:TEST:STATE, 2-323
- MASK:TEST:STATus?, 2-324
- MASK:TEST:STOP:FAILure, 2-325
- MASK:TEST:THReshold, 2-325
- MASK:TEST:TIME, 2-326
- MASK:TEST:WAVEform, 2-327
- MASK:USER:AMPLitude, 2-328
- MASK:USER:HSCale, 2-328
- MASK:USER:HTRIGPOS, 2-329
- MASK:USER:LABel, 2-330
- MASK:USER:RECOrdlength, 2-330
- MASK:USER:TRIGTOSAMP, 2-333
- MASK:USER:VOFFSet, 2-334
- MASK:USER:VPOS, 2-334
- MASK:USER:VSCAle, 2-335
- MASK:USER:WIDth, 2-336
- MASK:USER{:SEG<x>|:MASK<x>}, 2-331
- MASK:USER{:SEG<x>|:MASK<x>}:NR_Pt?, 2-332
- MASK:USER{:SEG<x>|:MASK<x>}:
POINTS, 2-332
- Math Command Group, 2-30
- MATH[1]:DEFine, 2-337
- MATH[1]:HORIZontal:POSition, 2-343
- MATH[1]:HORIZontal:SCAle, 2-344
- MATH[1]:HORIZontal:UNIts, 2-344
- MATH[1]:LABel, 2-345
- MATH[1]:SPECTral:MAG, 2-345
- MATH[1]:SPECTral:WINDow, 2-345
- MATH[1]:TYPE, 2-346
- MATH[1]:VERTical:POSition, 2-347
- MATH[1]:VERTical:SCAle, 2-348
- MATH[1]:VERTical:UNIts, 2-348
- MATH[1]?, 2-337
- MATHVAR:VAR<x>, 2-349
- MATHVAR?, 2-348
- Measurement Command Group, 2-31
- MEASUrement:CLEARSNAPSHOT, 2-350
- MEASUrement:GATING, 2-351
- MEASUrement:IMMed:DELay:DIRectioN, 2-352
- MEASUrement:IMMed:DELay:EDGE<x>, 2-353
- MEASUrement:IMMed:DELay?, 2-352
- MEASUrement:IMMed:SOURce<x>, 2-353
- MEASUrement:IMMed:TYPE, 2-354
- MEASUrement:IMMed:UNIts?, 2-357
- MEASUrement:IMMed:VALue?, 2-359
- MEASUrement:IMMed?, 2-351
- MEASUrement:INDICators:HORIZ<x>?, 2-360
- MEASUrement:INDICators:NUMHORIZ?, 2-361
- MEASUrement:INDICators:NUMVERT?, 2-361
- MEASUrement:INDICators:STATE, 2-361
- MEASUrement:INDICators:VERT<x>?, 2-362
- MEASUrement:INDICators?, 2-360
- MEASUrement:MEAS<x>:COUNt?, 2-363
- MEASUrement:MEAS<x>:DELay:DIRectioN, 2-363
- MEASUrement:MEAS<x>:DELay:EDGE<x>, 2-364
- MEASUrement:MEAS<x>:DELay?, 2-363
- MEASUrement:MEAS<x>:MAXimum?, 2-364
- MEASUrement:MEAS<x>:MEAN?, 2-365
- MEASUrement:MEAS<x>:MINimum?, 2-365
- MEASUrement:MEAS<x>:SOURce<x>, 2-365
- MEASUrement:MEAS<x>:STATE, 2-366
- MEASUrement:MEAS<x>:STDdev?, 2-367
- MEASUrement:MEAS<x>:TYPE, 2-367
- MEASUrement:MEAS<x>:UNIts?, 2-371
- MEASUrement:MEAS<x>:VALue?, 2-373
- MEASUrement:MEAS<x>?, 2-362
- MEASUrement:METHod, 2-373
- MEASUrement:REFLevel:ABSolute:HIGH, 2-374
- MEASUrement:REFLevel:ABSolute:LOW, 2-375
- MEASUrement:REFLevel:ABSolute:MID<x>, 2-376
- MEASUrement:REFLevel:METHod, 2-377
- MEASUrement:REFLevel:PERCent:HIGH, 2-377
- MEASUrement:REFLevel:PERCent:LOW, 2-378
- MEASUrement:REFLevel:PERCent:MID<x>, 2-379
- MEASUrement:REFLevel?, 2-374
- MEASUrement:STATIstics, 2-379
- MEASUrement:STATIstics:MODE, 2-380
- MEASUrement:STATIstics:WEIghting, 2-380
- MEASUrement?, 2-350
- MESSAge, 2-381
- MESSAge:BOX, 2-381
- MESSAge:CLEAR, 2-382
- MESSAge:SHOW, 2-382
- MESSAge:STATE, 2-385

Miscellaneous Command Group, 2-33

N

NEWpass, 2-386

O

*OPC, 2-386

P

PASSWord, 2-387

PAUSE, 2-387

PICTBridge:DATEPrint, 2-388

PICTBridge:DEFault, 2-388

PICTBridge:IDPrint, 2-389

PICTBridge:IMAGESize, 2-389

PICTBridge:PAPERSize, 2-390

PICTBridge:PAPERType, 2-392

PICTBridge:PRINTQual, 2-392

POWER:CURRENTSource, 2-393

POWER:DISPlay, 2-393

POWER:GATESource, 2-394

POWER:GATing, 2-394

POWER:HARMonics:DISPlay:SElect, 2-395

POWER:HARMonics:DISPlay:TYPe, 2-395

POWER:HARMonics:FREQRef, 2-396

POWER:HARMonics:FREQRef:

 FIXEDFREQValue, 2-397

POWER:HARMonics:IEC:CLAss, 2-397

POWER:HARMonics:IEC:FILter, 2-398

POWER:HARMonics:IEC:FUNDamental, 2-398

POWER:HARMonics:IEC:GROUPing, 2-399

POWER:HARMonics:IEC:INPUTPower, 2-399

POWER:HARMonics:IEC:LINEFREQuency, 2-400

POWER:HARMonics:IEC:OBSPERiod, 2-400

POWER:HARMonics:IEC:POWERFActor, 2-401

POWER:HARMonics:MIL:FUNDamental:

 CALCmethod, 2-401

POWER:HARMonics:MIL:FUNDamental:USER:

 CURrent, 2-402

POWER:HARMonics:MIL:LINEFREQuency, 2-403

POWER:HARMonics:MIL:POWERLEVel, 2-403

POWER:HARMonics:NR_HARMonics, 2-404

POWER:HARMonics:RESults:HAR<1-400>:

 FREQuency?, 2-404

POWER:HARMonics:RESults:HAR<1-400>:

 IECMAX?, 2-405

POWER:HARMonics:RESults:HAR<1-400>:
 LIMit?, 2-405

POWER:HARMonics:RESults:HAR<1-400>:
 PHASe?, 2-406

POWER:HARMonics:RESults:HAR<1-400>:RMS:
 ABSolute?, 2-406

POWER:HARMonics:RESults:HAR<1-400>:RMS:
 PERCent?, 2-407

POWER:HARMonics:RESults:HAR<1-400>:TEST:
 IEC:CLASSALIMit?, 2-407

POWER:HARMonics:RESults:HAR<1-400>:TEST:
 IEC:NORMAL?, 2-407

POWER:HARMonics:RESults:HAR<1-400>:TEST:
 IEC:POHCLIMit?, 2-408

POWER:HARMonics:RESults:HAR<1-400>:TEST:
 MIL:NORMAL?, 2-408

POWER:HARMonics:RESults:IEC:
 FUNDamental?, 2-409

POWER:HARMonics:RESults:IEC:
 HARM3ALTernate?, 2-409

POWER:HARMonics:RESults:IEC:
 HARM5ALTernate?, 2-410

POWER:HARMonics:RESults:IEC:POHC?, 2-410

POWER:HARMonics:RESults:IEC:POHL?, 2-410

POWER:HARMonics:RESults:IEC:POWER?, 2-411

POWER:HARMonics:RESults:IEC:
 POWERFactor?, 2-411

POWER:HARMonics:RESults:PASSFail?, 2-412

POWER:HARMonics:RESults:RMS?, 2-412

POWER:HARMonics:RESults:SAVe, 2-412

POWER:HARMonics:RESults:THDF?, 2-413

POWER:HARMonics:RESults:THDR?, 2-413

POWER:HARMonics:SOURce, 2-413

POWER:HARMonics:STANDard, 2-414

POWER:INDICators, 2-414

POWER:MODulation:SOURce, 2-415

POWER:MODulation:TYPe, 2-415

POWER:QUALity:APPpwr?, 2-416

POWER:QUALity:DISPlay:APPpwr, 2-417

POWER:QUALity:DISPlay:FREQuency, 2-417

POWER:QUALity:DISPlay:ICRESTfactor, 2-418

POWER:QUALity:DISPlay:IRMS, 2-418

POWER:QUALity:DISPlay:PHASEangle, 2-419

POWER:QUALity:DISPlay:POWERFActor, 2-419

POWER:QUALity:DISPlay:REACTpwr, 2-420

POWER:QUALity:DISPlay:TRUEpwr, 2-420

POWER:QUALity:DISPlay:VCRESTfactor, 2-421

- POWER:QUALity:DISPlay:VRMS, 2-421
- POWER:QUALity:FREQReference, 2-422
- POWER:QUALity:FREQuency?, 2-423
- POWER:QUALity:ICRESTfactor?, 2-423
- POWER:QUALity:IRMS?, 2-423
- POWER:QUALity:PHASEangle?, 2-424
- POWER:QUALity:POWERFActor?, 2-424
- POWER:QUALity:REACTpwr?, 2-424
- POWER:QUALity:TRUEpwr?, 2-425
- POWER:QUALity:VCRESTfactor?, 2-425
- POWER:QUALity:VRMS?, 2-426
- POWER:REFLevel:ABSolute, 2-426
- POWER:REFLevel:ABSolute:HIGH, 2-426
- POWER:REFLevel:ABSolute:LOW, 2-427
- POWER:REFLevel:ABSolute:MID<x>, 2-427
- POWER:REFLevel:HYSTeresis, 2-428
- POWER:REFLevel:METhod, 2-428
- POWER:REFLevel:PERCent, 2-429
- POWER:REFLevel:PERCent:HIGH, 2-429
- POWER:REFLevel:PERCent:LOW, 2-430
- POWER:REFLevel:PERCent:MID<x>, 2-431
- POWER:RIPlle, 2-431
- POWER:RIPlle:RESults:AMPLitude?, 2-432
- POWER:RIPlle:RESults:MAX?, 2-432
- POWER:RIPlle:RESults:MEAN?, 2-432
- POWER:RIPlle:RESults:MIN?, 2-433
- POWER:RIPlle:RESults:STDdev?, 2-433
- POWER:RIPlle:SOUrce, 2-433
- POWER:SOA:LINear:XMAX, 2-434
- POWER:SOA:LINear:XMIN, 2-434
- POWER:SOA:LINear:YMAX, 2-435
- POWER:SOA:LINear:YMIN, 2-435
- POWER:SOA:LOG:XMAX, 2-436
- POWER:SOA:LOG:XMIN, 2-436
- POWER:SOA:LOG:YMAX, 2-437
- POWER:SOA:LOG:YMIN, 2-437
- POWER:SOA:MASK:DEFine, 2-438
- POWER:SOA:MASK:MAXAmps, 2-438
- POWER:SOA:MASK:MAXVolts, 2-439
- POWER:SOA:MASK:MAXWatts, 2-439
- POWER:SOA:MASK:NR_Pt?, 2-440
- POWER:SOA:MASK:STATE, 2-440
- POWER:SOA:MASK:STOPOnviol, 2-441
- POWER:SOA:PLOTtYPE, 2-441
- POWER:SOA:RESult:FAILures:QTY?, 2-442
- POWER:SOA:RESult:NUMACq?, 2-442
- POWER:SOA:RESult:STATE?, 2-443
- POWER:STATIstics, 2-443
- POWER:STATIstics:MODE, 2-443
- POWER:STATIstics:WEIghting, 2-444
- POWER:SWLoss:CONDCALCmethod, 2-444
- POWER:SWLoss:CONDUction:ENERGY:MAX?, 2-445
- POWER:SWLoss:CONDUction:ENERGY:MEAN?, 2-445
- POWER:SWLoss:CONDUction:ENERGY:MIN?, 2-446
- POWER:SWLoss:CONDUction:POWER:MAX?, 2-446
- POWER:SWLoss:CONDUction:POWER:MEAN?, 2-446
- POWER:SWLoss:CONDUction:POWER:MIN?, 2-447
- POWER:SWLoss:DISPlay, 2-447
- POWER:SWLoss:GATe:POLarity, 2-448
- POWER:SWLoss:GATe:TURNON, 2-448
- POWER:SWLoss:NUMCYCles?, 2-449
- POWER:SWLoss:RDSon, 2-449
- POWER:SWLoss:REFLevel:ABSolute:GATEMid, 2-450
- POWER:SWLoss:REFLevel:ABSolute:LOWCurrent, 2-450
- POWER:SWLoss:REFLevel:ABSolute:LOWVoltage, 2-451
- POWER:SWLoss:REFLevel:PERCent:GATEMid, 2-452
- POWER:SWLoss:REFLevel:PERCent:LOWCurrent, 2-452
- POWER:SWLoss:REFLevel:PERCent:LOWVoltage, 2-453
- POWER:SWLoss:TOFF:ENERGY:MAX?, 2-453
- POWER:SWLoss:TOFF:ENERGY:MEAN?, 2-454
- POWER:SWLoss:TOFF:ENERGY:MIN?, 2-454
- POWER:SWLoss:TOFF:POWER:MAX?, 2-454
- POWER:SWLoss:TOFF:POWER:MEAN?, 2-455
- POWER:SWLoss:TOFF:POWER:MIN?, 2-455
- POWER:SWLoss:TON:ENERGY:MAX?, 2-455
- POWER:SWLoss:TON:ENERGY:MEAN?, 2-456
- POWER:SWLoss:TON:ENERGY:MIN?, 2-456
- POWER:SWLoss:TON:POWER:MAX?, 2-457
- POWER:SWLoss:TON:POWER:MEAN?, 2-457
- POWER:SWLoss:TON:POWER:MIN?, 2-457
- POWER:SWLoss:TOTal:ENERGY:MAX?, 2-458
- POWER:SWLoss:TOTal:ENERGY:MEAN?, 2-458
- POWER:SWLoss:TOTal:ENERGY:MIN?, 2-458
- POWER:SWLoss:TOTal:POWER:MAX?, 2-459
- POWER:SWLoss:TOTal:POWER:MEAN?, 2-459

POWER:SWLoss:TOTal:POWer:MIN?, 2-460
 POWER:SWLoss:VCEsat, 2-460
 POWER:TYPe, 2-460
 POWER:VOLTAGESource, 2-462
 *PSC, 2-462
 *PUD, 2-463

R

*RCL, 2-463
 RECALL:MASK, 2-464
 RECALL:SETUp, 2-464
 RECALL:SETUp:DEMO<x>, 2-465
 RECALL:WAVEform, 2-466
 REF<x>:DATE?, 2-467
 REF<x>:HORizontal:DELay:TIME, 2-467
 REF<x>:HORizontal:SCALE, 2-467
 REF<x>:LABel, 2-468
 REF<x>:TIME?, 2-468
 REF<x>:VERTical:POSition, 2-468
 REF<x>:VERTical:SCALE, 2-469
 REF<x>?, 2-466
 REM, 2-470
 RF:DETECTIonmethod:MODE, 2-470
 RF:DETECTIonmethod:RF_AVErage, 2-471
 RF:DETECTIonmethod:RF_MAXHold, 2-472
 RF:DETECTIonmethod:RF_MINHold, 2-473
 RF:DETECTIonmethod:RF_NORMal, 2-473
 RF:FREQuency, 2-474
 RF:LABel, 2-475
 RF:MEASUre:ACPR:ADJACENTPAIRs, 2-475
 RF:MEASUre:ACPR:CHANBW, 2-476
 RF:MEASUre:ACPR:CHANSPACing, 2-477
 RF:MEASUre:ACPR:LA1DB?, 2-478
 RF:MEASUre:ACPR:LA2DB?, 2-479
 RF:MEASUre:ACPR:LA3DB?, 2-479
 RF:MEASUre:ACPR:POWer?, 2-480
 RF:MEASUre:ACPR:UA1DB?, 2-480
 RF:MEASUre:ACPR:UA2DB?, 2-481
 RF:MEASUre:ACPR:UA3DB?, 2-482
 RF:MEASUre:CP:CHANBW, 2-482
 RF:MEASUre:CP:POWer?, 2-483
 RF:MEASUre:OBW:CHANBW, 2-483
 RF:MEASUre:OBW:LOWERFreq?, 2-484
 RF:MEASUre:OBW:PERCENTdown, 2-484
 RF:MEASUre:OBW:POWer?, 2-485
 RF:MEASUre:OBW:UPPERFreq?, 2-485
 RF:MEASUre:TYPe, 2-486
 RF:POSition, 2-487
 RF:PRObe:AUTOZero, 2-487
 RF:PRObe:CALibrate, 2-488
 RF:PRObe:CALibrate:CALIBRATABLe?, 2-488
 RF:PRObe:CALibrate:STATE?, 2-489
 RF:PRObe:COMMAND, 2-489
 RF:PRObe:DEGAUss, 2-490
 RF:PRObe:DEGAUss:STATE?, 2-490
 RF:PRObe:FORCEDRange, 2-491
 RF:PRObe:GAIN, 2-491
 RF:PRObe:ID:SERnumber?, 2-492
 RF:PRObe:ID:TYPe?, 2-492
 RF:PRObe:PREAmp:MODE, 2-493
 RF:PRObe:PREAmp:STATus?, 2-494
 RF:PRObe:RESistance?, 2-494
 RF:PRObe:SIGnal, 2-495
 RF:PRObe:UNIts?, 2-495
 RF:RBW, 2-496
 RF:RBW:MODE, 2-496
 RF:REFLevel, 2-497
 RF:RF_AMPlitude:LABel, 2-497
 RF:RF_AMPlitude:VERTical:POSition, 2-498
 RF:RF_AMPlitude:VERTical:SCALE, 2-498
 RF:RF_AVErage:COUNt?, 2-499
 RF:RF_AVErage:NUMAVg, 2-500
 RF:RF_FREQuency:LABel, 2-500
 RF:RF_FREQuency:VERTical:POSition, 2-501
 RF:RF_FREQuency:VERTical:SCALE, 2-501
 RF:RF_PHASE:LABel, 2-502
 RF:RF_PHASE:VERTical:POSition, 2-502
 RF:RF_PHASE:VERTical:SCALE, 2-503
 RF:SCALE, 2-504
 RF:SPAN, 2-504
 RF:SPANRbwratio, 2-505
 RF:SPECTRogram:NUMSLICEs?, 2-506
 RF:SPECTRogram:SLICESElect, 2-506
 RF:SPECTRogram:STATE, 2-507
 RF:SPECTRUMMode, 2-508
 RF:SQUELCH:STATE, 2-509
 RF:SQUELCH:THReshold, 2-509
 RF:START, 2-510
 RF:STOP, 2-510
 RF:UNIts, 2-511
 RF:WINDow, 2-512
 ROsc:SOURce, 2-512
 ROsc:STATE?, 2-513
 *RST, 2-514

S

- *SAV, 2-514
- Save and Recall Command Group, 2-53
- SAVe:ASSIgn:TYPe, 2-515
- SAVe:EVENTtable: {BUS<x>|B<x>}, 2-515
- SAVe:IMAGe, 2-516
- SAVe:IMAGe:FILEFormat, 2-517
- SAVe:IMAGe:INKSaver, 2-517
- SAVe:IMAGe:LAYout, 2-518
- SAVe:MASK, 2-518
- SAVe:SETUp, 2-519
- SAVe:WAVEform, 2-520
- SAVe:WAVEform:FILEFormat, 2-522
- SAVe:WAVEform:GATIng, 2-523
- Search Commands Group, 2-55
- SEARCH:SEARCH<x>:COpy, 2-525
- SEARCH:SEARCH<x>:LIST?, 2-525
- SEARCH:SEARCH<x>:STATE, 2-526
- SEARCH:SEARCH<x>:TOTal?, 2-527
- SEARCH:SEARCH<x>:TRIGger:A:BUS:B<x>:
 - AUDio:CONDition, 2-528
- SEARCH:SEARCH<x>:TRIGger:A:BUS:B<x>:
 - AUDio:DATA:HIVALue, 2-529
- SEARCH:SEARCH<x>:TRIGger:A:BUS:B<x>:
 - AUDio:DATA:OFFSet, 2-529
- SEARCH:SEARCH<x>:TRIGger:A:BUS:B<x>:
 - AUDio:DATA:QUALifier, 2-530
- SEARCH:SEARCH<x>:TRIGger:A:BUS:B<x>:
 - AUDio:DATA:VALue, 2-530
- SEARCH:SEARCH<x>:TRIGger:A:BUS:B<x>:
 - AUDio:DATA:WORD, 2-531
- SEARCH:SEARCH<x>:TRIGger:A:BUS:B<x>:
 - CAN:CONDition, 2-531
- SEARCH:SEARCH<x>:TRIGger:A:BUS:B<x>:
 - CAN:DATA:DIRection, 2-532
- SEARCH:SEARCH<x>:TRIGger:A:BUS:B<x>:
 - CAN:DATA:QUALifier, 2-533
- SEARCH:SEARCH<x>:TRIGger:A:BUS:B<x>:
 - CAN:DATA:SIZE, 2-534
- SEARCH:SEARCH<x>:TRIGger:A:BUS:B<x>:
 - CAN:DATA:VALue, 2-534
- SEARCH:SEARCH<x>:TRIGger:A:BUS:B<x>:
 - CAN:FRAMEtype, 2-535
- SEARCH:SEARCH<x>:TRIGger:A:BUS:B<x>:
 - CAN{:IDentifier|:ADDRESS}:MODE, 2-535
- SEARCH:SEARCH<x>:TRIGger:A:BUS:B<x>:
 - CAN{:IDentifier|:ADDRESS}:VALue, 2-536
- SEARCH:SEARCH<x>:TRIGger:A:BUS:B<x>:
 - ETHERnet:CONDition, 2-536
- SEARCH:SEARCH<x>:TRIGger:A:BUS:B<x>:
 - ETHERnet:DATA:HIVALue, 2-537
- SEARCH:SEARCH<x>:TRIGger:A:BUS:B<x>:
 - ETHERnet:DATA:OFFSet, 2-538
- SEARCH:SEARCH<x>:TRIGger:A:BUS:B<x>:
 - ETHERnet:DATA:SIZE, 2-539
- SEARCH:SEARCH<x>:TRIGger:A:BUS:B<x>:
 - ETHERnet:DATA:VALue, 2-540
- SEARCH:SEARCH<x>:TRIGger:A:BUS:B<x>:
 - ETHERnet:FRAMETYPe, 2-541
- SEARCH:SEARCH<x>:TRIGger:A:BUS:B<x>:
 - ETHERnet:IPHeader:DESTinationaddr:VALue, 2-543
- SEARCH:SEARCH<x>:TRIGger:A:BUS:B<x>:
 - ETHERnet:IPHeader:PROTOcol:VALue, 2-541
- SEARCH:SEARCH<x>:TRIGger:A:BUS:B<x>:
 - ETHERnet:IPHeader:SOURceaddr:VALue, 2-542
- SEARCH:SEARCH<x>:TRIGger:A:BUS:B<x>:
 - ETHERnet:MAC:ADDRESS:DESTination:VALue, 2-545
- SEARCH:SEARCH<x>:TRIGger:A:BUS:
 - B<x>:ETHERnet:MAC:ADDRESS:SOURce:VALue, 2-544
- SEARCH:SEARCH<x>:TRIGger:A:BUS:
 - B<x>:ETHERnet:MAC{:LENgth|:TYPE}:HIVALue, 2-547
- SEARCH:SEARCH<x>:TRIGger:A:BUS:
 - B<x>:ETHERnet:MAC{:LENgth|:TYPE}:VALue, 2-546
- SEARCH:SEARCH<x>:TRIGger:A:BUS:B<x>:
 - ETHERnet:QTAG:VALue, 2-548
- SEARCH:SEARCH<x>:TRIGger:A:BUS:B<x>:
 - ETHERnet:QUALifier, 2-548
- SEARCH:SEARCH<x>:TRIGger:A:BUS:B<x>:
 - ETHERnet:TCPHeader:ACKnum:VALue, 2-549
- SEARCH:SEARCH<x>:TRIGger:A:BUS:B<x>:
 - ETHERnet:TCPHeader:DESTinationport:VALue, 2-551
- SEARCH:SEARCH<x>:TRIGger:A:BUS:B<x>:
 - ETHERnet:TCPHeader:SEQnum:VALue, 2-550
- SEARCH:SEARCH<x>:TRIGger:A:BUS:
 - B<x>:ETHERnet:TCPHeader:SOURceport:VALue, 2-552
- SEARCH:SEARCH<x>:TRIGger:A:BUS:B<x>:
 - FLEXray:CONDition, 2-553

- SEARCH:SEARCH<x>:TRIGger:A:BUS:B<x>:
FLEXray:CYCLEcount:HIVALue, 2-553
- SEARCH:SEARCH<x>:TRIGger:A:BUS:B<x>:
FLEXray:CYCLEcount:QUALifier, 2-554
- SEARCH:SEARCH<x>:TRIGger:A:BUS:B<x>:
FLEXray:CYCLEcount:VALue, 2-555
- SEARCH:SEARCH<x>:TRIGger:A:BUS:B<x>:
FLEXray:DATA:HIVALue, 2-556
- SEARCH:SEARCH<x>:TRIGger:A:BUS:B<x>:
FLEXray:DATA:OFFSet, 2-556
- SEARCH:SEARCH<x>:TRIGger:A:BUS:B<x>:
FLEXray:DATA:QUALifier, 2-557
- SEARCH:SEARCH<x>:TRIGger:A:BUS:B<x>:
FLEXray:DATA:SIZE, 2-558
- SEARCH:SEARCH<x>:TRIGger:A:BUS:B<x>:
FLEXray:DATA:VALue, 2-559
- SEARCH:SEARCH<x>:TRIGger:A:BUS:B<x>:
FLEXray:EOFTYPE, 2-559
- SEARCH:SEARCH<x>:TRIGger:A:BUS:B<x>:
FLEXray:ERRTYPE, 2-560
- SEARCH:SEARCH<x>:TRIGger:A:BUS:B<x>:
FLEXray:FRAMEID:HIVALue, 2-561
- SEARCH:SEARCH<x>:TRIGger:A:BUS:B<x>:
FLEXray:FRAMEID:QUALifier, 2-561
- SEARCH:SEARCH<x>:TRIGger:A:BUS:B<x>:
FLEXray:FRAMEID:VALue, 2-562
- SEARCH:SEARCH<x>:TRIGger:A:BUS:B<x>:
FLEXray:FRAMEType, 2-563
- SEARCH:SEARCH<x>:TRIGger:A:BUS:B<x>:
FLEXray:HEADER:CRC, 2-564
- SEARCH:SEARCH<x>:TRIGger:A:BUS:B<x>:
FLEXray:HEADER:CYCLEcount, 2-564
- SEARCH:SEARCH<x>:TRIGger:A:BUS:B<x>:
FLEXray:HEADER:FRAMEID, 2-565
- SEARCH:SEARCH<x>:TRIGger:A:BUS:B<x>:
FLEXray:HEADER:INDBits, 2-566
- SEARCH:SEARCH<x>:TRIGger:A:BUS:B<x>:
FLEXray:HEADER:PAYLength, 2-566
- SEARCH:SEARCH<x>:TRIGger:A:BUS:B<x>:I2C:
ADDRess:MODE, 2-567
- SEARCH:SEARCH<x>:TRIGger:A:BUS:B<x>:I2C:
ADDRess:TYPE, 2-568
- SEARCH:SEARCH<x>:TRIGger:A:BUS:B<x>:I2C:
ADDRess:VALue, 2-568
- SEARCH:SEARCH<x>:TRIGger:A:BUS:B<x>:I2C:
CONDition, 2-569
- SEARCH:SEARCH<x>:TRIGger:A:BUS:B<x>:I2C:
DATA:DIRection, 2-569
- SEARCH:SEARCH<x>:TRIGger:A:BUS:B<x>:I2C:
DATA:SIZE, 2-570
- SEARCH:SEARCH<x>:TRIGger:A:BUS:B<x>:I2C:
DATA:VALue, 2-570
- SEARCH:SEARCH<x>:TRIGger:A:BUS:B<x>:LIN:
CONDition, 2-571
- SEARCH:SEARCH<x>:TRIGger:A:BUS:B<x>:LIN:
DATA:HIVALue, 2-571
- SEARCH:SEARCH<x>:TRIGger:A:BUS:B<x>:LIN:
DATA:QUALifier, 2-572
- SEARCH:SEARCH<x>:TRIGger:A:BUS:B<x>:LIN:
DATA:SIZE, 2-573
- SEARCH:SEARCH<x>:TRIGger:A:BUS:B<x>:LIN:
DATA:VALue, 2-573
- SEARCH:SEARCH<x>:TRIGger:A:BUS:B<x>:LIN:
ERRTYPE, 2-574
- SEARCH:SEARCH<x>:TRIGger:A:BUS:B<x>:LIN:
IDentifier:VALue, 2-574
- SEARCH:SEARCH<x>:TRIGger:A:BUS:
B<x>:MIL1553B:COMMAND:ADDRess:
HIVALue, 2-575
- SEARCH:SEARCH<x>:TRIGger:A:BUS:
B<x>:MIL1553B:COMMAND:ADDRess:
QUALifier, 2-577
- SEARCH:SEARCH<x>:TRIGger:A:BUS:
B<x>:MIL1553B:COMMAND:ADDRess:
VALue, 2-576
- SEARCH:SEARCH<x>:TRIGger:A:BUS:B<x>:
MIL1553B:COMMAND:COUNt, 2-578
- SEARCH:SEARCH<x>:TRIGger:A:BUS:B<x>:
MIL1553B:COMMAND:PARity, 2-579
- SEARCH:SEARCH<x>:TRIGger:A:BUS:B<x>:
MIL1553B:COMMAND:SUBADDRess, 2-579
- SEARCH:SEARCH<x>:TRIGger:A:BUS:B<x>:
MIL1553B:COMMAND:TRBit, 2-580
- SEARCH:SEARCH<x>:TRIGger:A:BUS:B<x>:
MIL1553B:CONDition, 2-581
- SEARCH:SEARCH<x>:TRIGger:A:BUS:B<x>:
MIL1553B:DATA:PARity, 2-583
- SEARCH:SEARCH<x>:TRIGger:A:BUS:B<x>:
MIL1553B:DATA:VALue, 2-584
- SEARCH:SEARCH<x>:TRIGger:A:BUS:B<x>:
MIL1553B:ERRTYPE, 2-585
- SEARCH:SEARCH<x>:TRIGger:A:BUS:B<x>:
MIL1553B:STATus:ADDRess:HIVALue, 2-586

- SEARCH:SEARCH<x>:TRIGger:A:BUS:B<x>:
MIL1553B:STATus:ADDRess:QUALifier, 2-587
- SEARCH:SEARCH<x>:TRIGger:A:BUS:B<x>:
MIL1553B:STATus:ADDRess:VALue, 2-588
- SEARCH:SEARCH<x>:TRIGger:A:BUS:B<x>:
MIL1553B:STATus:BIT:BCR, 2-589
- SEARCH:SEARCH<x>:TRIGger:A:BUS:B<x>:
MIL1553B:STATus:BIT:BUSY, 2-590
- SEARCH:SEARCH<x>:TRIGger:A:BUS:B<x>:
MIL1553B:STATus:BIT:DBCA, 2-590
- SEARCH:SEARCH<x>:TRIGger:A:BUS:B<x>:
MIL1553B:STATus:BIT:INSTR, 2-591
- SEARCH:SEARCH<x>:TRIGger:A:BUS:B<x>:
MIL1553B:STATus:BIT:ME, 2-592
- SEARCH:SEARCH<x>:TRIGger:A:BUS:B<x>:
MIL1553B:STATus:BIT:SRQ, 2-593
- SEARCH:SEARCH<x>:TRIGger:A:BUS:B<x>:
MIL1553B:STATus:BIT:SBSF, 2-594
- SEARCH:SEARCH<x>:TRIGger:A:BUS:B<x>:
MIL1553B:STATus:BIT:TF, 2-595
- SEARCH:SEARCH<x>:TRIGger:A:BUS:B<x>:
MIL1553B:STATus:PARity, 2-596
- SEARCH:SEARCH<x>:TRIGger:A:BUS:B<x>:
MIL1553B:TIME:LESSLimit, 2-597
- SEARCH:SEARCH<x>:TRIGger:A:BUS:B<x>:
MIL1553B:TIME:MORELimit, 2-597
- SEARCH:SEARCH<x>:TRIGger:A:BUS:B<x>:
MIL1553B:TIME:QUALifier, 2-598
- SEARCH:SEARCH<x>:TRIGger:A:BUS:B<x>:
PARallel:VALue, 2-599
- SEARCH:SEARCH<x>:TRIGger:A:BUS:B<x>:
RS232C:CONDition, 2-599
- SEARCH:SEARCH<x>:TRIGger:A:BUS:B<x>:
RS232C:RX:DATA:SIZE, 2-600
- SEARCH:SEARCH<x>:TRIGger:A:BUS:B<x>:
RS232C:RX:DATA:VALue, 2-600
- SEARCH:SEARCH<x>:TRIGger:A:BUS:B<x>:
RS232C:TX:DATA:SIZE, 2-601
- SEARCH:SEARCH<x>:TRIGger:A:BUS:B<x>:
RS232C:TX:DATA:VALue, 2-601
- SEARCH:SEARCH<x>:TRIGger:A:BUS:B<x>:SPI:
CONDition, 2-601
- SEARCH:SEARCH<x>:TRIGger:A:BUS:B<x>:SPI:
DATA:SIZE, 2-603
- SEARCH:SEARCH<x>:TRIGger:A:BUS:B<x>:SPI:
DATA{:MISO|IN}:VALue, 2-602
- SEARCH:SEARCH<x>:TRIGger:A:BUS:B<x>:SPI:
DATA{:MOSI|OUT}:VALue, 2-603
- SEARCH:SEARCH<x>:TRIGger:A:BUS:B<x>:
USB:ADDRess:HIVALue, 2-604
- SEARCH:SEARCH<x>:TRIGger:A:BUS:B<x>:
USB:ADDRess:VALue, 2-604
- SEARCH:SEARCH<x>:TRIGger:A:BUS:B<x>:
USB:CONDition, 2-605
- SEARCH:SEARCH<x>:TRIGger:A:BUS:B<x>:
USB:DATA:HIVALue, 2-606
- SEARCH:SEARCH<x>:TRIGger:A:BUS:B<x>:
USB:DATA:OFFSet, 2-607
- SEARCH:SEARCH<x>:TRIGger:A:BUS:B<x>:
USB:DATA:SIZE, 2-607
- SEARCH:SEARCH<x>:TRIGger:A:BUS:B<x>:
USB:DATA:TYPE, 2-608
- SEARCH:SEARCH<x>:TRIGger:A:BUS:B<x>:
USB:DATA:VALue, 2-608
- SEARCH:SEARCH<x>:TRIGger:A:BUS:B<x>:
USB:ENDPoint:VALue, 2-609
- SEARCH:SEARCH<x>:TRIGger:A:BUS:B<x>:
USB:ERRType, 2-610
- SEARCH:SEARCH<x>:TRIGger:A:BUS:B<x>:
USB:HANDSHAKEType, 2-610
- SEARCH:SEARCH<x>:TRIGger:A:BUS:B<x>:
USB:QUALifier, 2-611
- SEARCH:SEARCH<x>:TRIGger:A:BUS:B<x>:
USB:SOFFRAMENUMber, 2-612
- SEARCH:SEARCH<x>:TRIGger:A:BUS:B<x>:
USB:SPECIALType, 2-613
- SEARCH:SEARCH<x>:TRIGger:A:BUS:B<x>:
USB:SPLit:ET:VALue, 2-614
- SEARCH:SEARCH<x>:TRIGger:A:BUS:B<x>:
USB:SPLit:HUB:VALue, 2-614
- SEARCH:SEARCH<x>:TRIGger:A:BUS:B<x>:
USB:SPLit:PORT:VALue, 2-615
- SEARCH:SEARCH<x>:TRIGger:A:BUS:B<x>:
USB:SPLit:SC:VALue, 2-615
- SEARCH:SEARCH<x>:TRIGger:A:BUS:B<x>:
USB:SPLit:SE:VALue, 2-616
- SEARCH:SEARCH<x>:TRIGger:A:BUS:B<x>:
USB:TOKENType, 2-618
- SEARCH:SEARCH<x>:TRIGger:A:BUS:
SOURCE, 2-618
- SEARCH:SEARCH<x>:TRIGger:A:BUS?, 2-527
- SEARCH:SEARCH<x>:TRIGger:A:EDGE:
SLOpe, 2-619

SEARCH:SEARCH<x>:TRIGger:A:EDGE:SOURCE, 2-619

SEARCH:SEARCH<x>:TRIGger:A:LEVel:CH<x>, 2-620

SEARCH:SEARCH<x>:TRIGger:A:LEVel:MATH, 2-620

SEARCH:SEARCH<x>:TRIGger:A:LEVel:REF<x>, 2-621

SEARCH:SEARCH<x>:TRIGger:A:LEVel:RF_AMPlitude, 2-621

SEARCH:SEARCH<x>:TRIGger:A:LEVel:RF_FREQuency, 2-621

SEARCH:SEARCH<x>:TRIGger:A:LEVel:RF_PHASe, 2-622

SEARCH:SEARCH<x>:TRIGger:A:LOGIc:FUNCTION, 2-622

SEARCH:SEARCH<x>:TRIGger:A:LOGIc:INPut:CH<x>, 2-623

SEARCH:SEARCH<x>:TRIGger:A:LOGIc:INPut:CLOCK:EDGE, 2-623

SEARCH:SEARCH<x>:TRIGger:A:LOGIc:INPut:CLOCK:SOURce, 2-624

SEARCH:SEARCH<x>:TRIGger:A:LOGIc:INPut:D<x>, 2-624

SEARCH:SEARCH<x>:TRIGger:A:LOGIc:INPut:MATH, 2-625

SEARCH:SEARCH<x>:TRIGger:A:LOGIc:INPut:REF<x>, 2-625

SEARCH:SEARCH<x>:TRIGger:A:LOGIc:INPut:RF_AMPlitude, 2-625

SEARCH:SEARCH<x>:TRIGger:A:LOGIc:INPut:RF_FREQuency, 2-626

SEARCH:SEARCH<x>:TRIGger:A:LOGIc:INPut:RF_PHASe, 2-627

SEARCH:SEARCH<x>:TRIGger:A:LOGIc:PATtern:INPut:CH<x>, 2-628

SEARCH:SEARCH<x>:TRIGger:A:LOGIc:PATtern:WHEn, 2-628

SEARCH:SEARCH<x>:TRIGger:A:LOGIc:PATtern:WHEn:LESSLimit, 2-629

SEARCH:SEARCH<x>:TRIGger:A:LOGIc:PATtern:WHEn:MORELimit, 2-629

SEARCH:SEARCH<x>:TRIGger:A:LOGIc:THReshold:CH<x>, 2-630

SEARCH:SEARCH<x>:TRIGger:A:LOGIc:THReshold:MATH, 2-630

SEARCH:SEARCH<x>:TRIGger:A:LOGIc:THReshold:REF<x>, 2-630

SEARCH:SEARCH<x>:TRIGger:A:LOGIc:THReshold:RF_AMPlitude, 2-631

SEARCH:SEARCH<x>:TRIGger:A:LOGIc:THReshold:RF_FREQuency, 2-632

SEARCH:SEARCH<x>:TRIGger:A:LOGIc:THReshold:RF_PHASe, 2-632

SEARCH:SEARCH<x>:TRIGger:A:LOWerthreshold:CH<x>, 2-633

SEARCH:SEARCH<x>:TRIGger:A:LOWerthreshold:MATH, 2-634

SEARCH:SEARCH<x>:TRIGger:A:LOWerthreshold:REF<x>, 2-634

SEARCH:SEARCH<x>:TRIGger:A:LOWerthreshold:RF_AMPlitude, 2-634

SEARCH:SEARCH<x>:TRIGger:A:LOWerthreshold:RF_FREQuency, 2-635

SEARCH:SEARCH<x>:TRIGger:A:LOWerthreshold:RF_PHASe, 2-636

SEARCH:SEARCH<x>:TRIGger:A:PULSEWidth:HIGHLimit, 2-637

SEARCH:SEARCH<x>:TRIGger:A:PULSEWidth:LOWLimit, 2-638

SEARCH:SEARCH<x>:TRIGger:A:PULSEWidth:POLarity, 2-638

SEARCH:SEARCH<x>:TRIGger:A:PULSEWidth:SOURce, 2-639

SEARCH:SEARCH<x>:TRIGger:A:PULSEWidth:WHEn, 2-639

SEARCH:SEARCH<x>:TRIGger:A:PULSEWidth:WIDTH, 2-641

SEARCH:SEARCH<x>:TRIGger:A:RUNT:POLarity, 2-641

SEARCH:SEARCH<x>:TRIGger:A:RUNT:SOURce, 2-642

SEARCH:SEARCH<x>:TRIGger:A:RUNT:WHEn, 2-642

SEARCH:SEARCH<x>:TRIGger:A:RUNT:WIDTH, 2-643

SEARCH:SEARCH<x>:TRIGger:A:SETHold:CLOCK:EDGE, 2-643

SEARCH:SEARCH<x>:TRIGger:A:SETHold:CLOCK:SOURce, 2-643

SEARCH:SEARCH<x>:TRIGger:A:SETHold:CLOCK:THReshold, 2-644

- SEARCH:SEARCH<x>:TRIGger:A:SETHold:DATA:SOURCE, 2-644
- SEARCH:SEARCH<x>:TRIGger:A:SETHold:DATA:THReshold, 2-645
- SEARCH:SEARCH<x>:TRIGger:A:SETHold:HOLDTime, 2-645
- SEARCH:SEARCH<x>:TRIGger:A:SETHold:SETTime, 2-646
- SEARCH:SEARCH<x>:TRIGger:A:SETHold:THReshold:REF<x>, 2-647
- SEARCH:SEARCH<x>:TRIGger:A:SETHold:THReshold{:MATH|:MATH1}, 2-646
- SEARCH:SEARCH<x>:TRIGger:A:TIMEOut:POLarity, 2-647
- SEARCH:SEARCH<x>:TRIGger:A:TIMEOut:SOURce, 2-648
- SEARCH:SEARCH<x>:TRIGger:A:TIMEOut:TIME, 2-649
- SEARCH:SEARCH<x>:TRIGger:A:TYPE, 2-651
- SEARCH:SEARCH<x>:TRIGger:A:UPPerthreshold:CH<x>, 2-652
- SEARCH:SEARCH<x>:TRIGger:A:UPPerthreshold:MATH, 2-653
- SEARCH:SEARCH<x>:TRIGger:A:UPPerthreshold:REF<x>, 2-653
- SEARCH:SEARCH<x>:TRIGger:A:UPPerthreshold:RF_AMPLitude, 2-653
- SEARCH:SEARCH<x>:TRIGger:A:UPPerthreshold:RF_FREQuency, 2-654
- SEARCH:SEARCH<x>:TRIGger:A:UPPerthreshold:RF_PHASE, 2-655
- SEARCH:SEARCH<x>:TRIGger:A{:TRANSition|:RISEFall}:DELtatime, 2-649
- SEARCH:SEARCH<x>:TRIGger:A{:TRANSition|:RISEFall}:POLarity, 2-650
- SEARCH:SEARCH<x>:TRIGger:A{:TRANSition|:RISEFall}:SOURce, 2-650
- SEARCH:SEARCH<x>:TRIGger:A{:TRANSition|:RISEFall}:WHEN, 2-651
- SEARCH:SPECTral:LIST?, 2-655
- SEARCH?, 2-523
- SElect, 2-656
- SElect:{BUS<x>|B<x>}, 2-657
- SElect:CH<x>, 2-657
- SElect:CONTROL, 2-658
- SElect:D<x>, 2-659
- SElect:DAll, 2-659
- SElect:REF<x>, 2-660
- SElect:RF_AMPLitude, 2-661
- SElect:RF_AVErage, 2-661
- SElect:RF_FREQuency, 2-662
- SElect:RF_MAXHold, 2-662
- SElect:RF_MINHold, 2-662
- SElect:RF_NORMal, 2-663
- SElect:RF_PHASE, 2-663
- SElect{:MATH|:MATH1}, 2-660
- SET?, 2-664
- SETUP<x>:DATE?, 2-665
- SETUP<x>:LABEL, 2-665
- SETUP<x>:TIME?, 2-665
- SOCKETServer:ENable, 2-666
- SOCKETServer:PORT, 2-666
- SOCKETServer:PROTOCol, 2-667
- *SRE, 2-668
- Status and Error Command Group, 2-68
- *STB?, 2-669
- ## T
- TEKSecure, 2-669
- TIME, 2-670
- TOTaluptime?, 2-671
- *TRG, 2-671
- Trigger Command Group, 2-69
- TRIGger, 2-671
- TRIGger:A, 2-672
- TRIGger:A:BUS, 2-673
- TRIGger:A:BUS:B<x>:AUDio:CONDition, 2-675
- TRIGger:A:BUS:B<x>:AUDio:DATA:HIVALue, 2-675
- TRIGger:A:BUS:B<x>:AUDio:DATA:OFFSet, 2-675
- TRIGger:A:BUS:B<x>:AUDio:DATA:QUALifier, 2-676
- TRIGger:A:BUS:B<x>:AUDio:DATA:VALue, 2-676
- TRIGger:A:BUS:B<x>:AUDio:DATA:WORD, 2-677
- TRIGger:A:BUS:B<x>:CAN:CONDition, 2-677
- TRIGger:A:BUS:B<x>:CAN:DATA:DIRection, 2-678
- TRIGger:A:BUS:B<x>:CAN:DATA:QUALifier, 2-679
- TRIGger:A:BUS:B<x>:CAN:DATA:SIZE, 2-680
- TRIGger:A:BUS:B<x>:CAN:DATA:VALue, 2-680
- TRIGger:A:BUS:B<x>:CAN:FRAMetype, 2-680
- TRIGger:A:BUS:B<x>:CAN{:IDentifier|:ADDRESS}:MODE, 2-681
- TRIGger:A:BUS:B<x>:CAN{:IDentifier|:ADDRESS}:VALue, 2-682

- TRIGger:A:BUS:B<x>:ETHERnet:
CONDition, 2-682
- TRIGger:A:BUS:B<x>:ETHERnet:DATA:
HIVALue, 2-683
- TRIGger:A:BUS:B<x>:ETHERnet:DATA:
OFFSet, 2-684
- TRIGger:A:BUS:B<x>:ETHERnet:DATA:SIZE, 2-685
- TRIGger:A:BUS:B<x>:ETHERnet:DATA:
VALue, 2-685
- TRIGger:A:BUS:B<x>:ETHERnet:
FRAMETYPe, 2-686
- TRIGger:A:BUS:B<x>:ETHERnet:IPHeader:
DESTinationaddr:VALue, 2-687
- TRIGger:A:BUS:B<x>:ETHERnet:IPHeader:
PROTOcol:VALue, 2-688
- TRIGger:A:BUS:B<x>:ETHERnet:IPHeader:
SOURceaddr:VALue, 2-689
- TRIGger:A:BUS:B<x>:ETHERnet:MAC:ADDRess:
DESTination:VALue, 2-689
- TRIGger:A:BUS:B<x>:ETHERnet:MAC:ADDRess:
SOURce:VALue, 2-690
- TRIGger:A:BUS:B<x>:ETHERnet:MAC{:LENGth|:
TYPE}:HIVALue, 2-691
- TRIGger:A:BUS:B<x>:ETHERnet:MAC{:LENGth|:
TYPE}:VALue, 2-692
- TRIGger:A:BUS:B<x>:ETHERnet:QTAG:
VALue, 2-693
- TRIGger:A:BUS:B<x>:ETHERnet:QUALifier, 2-693
- TRIGger:A:BUS:B<x>:ETHERnet:TCPHeader:
ACKnum:VALue, 2-694
- TRIGger:A:BUS:B<x>:ETHERnet:TCPHeader:
DESTinationport:VALue, 2-695
- TRIGger:A:BUS:B<x>:ETHERnet:TCPHeader:
SEQnum:VALue, 2-695
- TRIGger:A:BUS:B<x>:ETHERnet:TCPHeader:
SOURceport:VALue, 2-696
- TRIGger:A:BUS:B<x>:FLEXray:CONDition, 2-697
- TRIGger:A:BUS:B<x>:FLEXray:CYCLEcount:
HIVALue, 2-698
- TRIGger:A:BUS:B<x>:FLEXray:CYCLEcount:
QUALifier, 2-698
- TRIGger:A:BUS:B<x>:FLEXray:CYCLEcount:
VALue, 2-699
- TRIGger:A:BUS:B<x>:FLEXray:DATA:
HIVALue, 2-700
- TRIGger:A:BUS:B<x>:FLEXray:DATA:
OFFSet, 2-700
- TRIGger:A:BUS:B<x>:FLEXray:DATA:
QUALifier, 2-701
- TRIGger:A:BUS:B<x>:FLEXray:DATA:SIZE, 2-702
- TRIGger:A:BUS:B<x>:FLEXray:DATA:
VALue, 2-702
- TRIGger:A:BUS:B<x>:FLEXray:EOFTYPE, 2-703
- TRIGger:A:BUS:B<x>:FLEXray:ERRTYPE, 2-703
- TRIGger:A:BUS:B<x>:FLEXray:FRAMEID:
HIVALue, 2-704
- TRIGger:A:BUS:B<x>:FLEXray:FRAMEID:
QUALifier, 2-705
- TRIGger:A:BUS:B<x>:FLEXray:FRAMEID:
VALue, 2-706
- TRIGger:A:BUS:B<x>:FLEXray:
FRAMETYPe, 2-706
- TRIGger:A:BUS:B<x>:FLEXray:HEADER:
CRC, 2-707
- TRIGger:A:BUS:B<x>:FLEXray:HEADER:
CYCLEcount, 2-707
- TRIGger:A:BUS:B<x>:FLEXray:HEADER:
FRAMEID, 2-708
- TRIGger:A:BUS:B<x>:FLEXray:HEADER:
INDBits, 2-709
- TRIGger:A:BUS:B<x>:FLEXray:HEADER:
PAYLength, 2-709
- TRIGger:A:BUS:B<x>:I2C:ADDRess:MODE, 2-710
- TRIGger:A:BUS:B<x>:I2C:ADDRess:TYPE, 2-710
- TRIGger:A:BUS:B<x>:I2C:ADDRess:VALue, 2-711
- TRIGger:A:BUS:B<x>:I2C:CONDition, 2-711
- TRIGger:A:BUS:B<x>:I2C:DATA:DIRection, 2-712
- TRIGger:A:BUS:B<x>:I2C:DATA:SIZE, 2-713
- TRIGger:A:BUS:B<x>:I2C:DATA:VALue, 2-713
- TRIGger:A:BUS:B<x>:LIN:CONDition, 2-713
- TRIGger:A:BUS:B<x>:LIN:DATA:HIVALue, 2-714
- TRIGger:A:BUS:B<x>:LIN:DATA:QUALifier, 2-715
- TRIGger:A:BUS:B<x>:LIN:DATA:SIZE, 2-715
- TRIGger:A:BUS:B<x>:LIN:DATA:VALue, 2-716
- TRIGger:A:BUS:B<x>:LIN:ERRTYPE, 2-716
- TRIGger:A:BUS:B<x>:LIN:IDentifier:VALue, 2-717
- TRIGger:A:BUS:B<x>:MIL1553B:COMMAND:
ADDRess:HIVALue, 2-717
- TRIGger:A:BUS:B<x>:MIL1553B:COMMAND:
ADDRess:QUALifier, 2-718
- TRIGger:A:BUS:B<x>:MIL1553B:COMMAND:
ADDRess:VALue, 2-719
- TRIGger:A:BUS:B<x>:MIL1553B:COMMAND:
COUNT, 2-720

- TRIGger:A:BUS:B<x>:MIL1553B:COMMAND: PARity, 2-721
- TRIGger:A:BUS:B<x>:MIL1553B:COMMAND: SUBAddress, 2-721
- TRIGger:A:BUS:B<x>:MIL1553B:COMMAND: TRBit, 2-722
- TRIGger:A:BUS:B<x>:MIL1553B: CONDItion, 2-723
- TRIGger:A:BUS:B<x>:MIL1553B:DATA: PARity, 2-725
- TRIGger:A:BUS:B<x>:MIL1553B:DATA: VALue, 2-725
- TRIGger:A:BUS:B<x>:MIL1553B:ERRTYPE, 2-726
- TRIGger:A:BUS:B<x>:MIL1553B:STATus: ADDRESS:HIVALue, 2-727
- TRIGger:A:BUS:B<x>:MIL1553B:STATus: ADDRESS:QUALifier, 2-728
- TRIGger:A:BUS:B<x>:MIL1553B:STATus: ADDRESS:VALue, 2-729
- TRIGger:A:BUS:B<x>:MIL1553B:STATus:BIT: BCR, 2-730
- TRIGger:A:BUS:B<x>:MIL1553B:STATus:BIT: BUSY, 2-730
- TRIGger:A:BUS:B<x>:MIL1553B:STATus:BIT: DBCA, 2-731
- TRIGger:A:BUS:B<x>:MIL1553B:STATus:BIT: INSTR, 2-732
- TRIGger:A:BUS:B<x>:MIL1553B:STATus:BIT: ME, 2-733
- TRIGger:A:BUS:B<x>:MIL1553B:STATus:BIT: SRQ, 2-734
- TRIGger:A:BUS:B<x>:MIL1553B:STATus:BIT: SUBSF, 2-735
- TRIGger:A:BUS:B<x>:MIL1553B:STATus:BIT: TF, 2-736
- TRIGger:A:BUS:B<x>:MIL1553B:STATus: PARity, 2-736
- TRIGger:A:BUS:B<x>:MIL1553B:TIME: LESSLimit, 2-737
- TRIGger:A:BUS:B<x>:MIL1553B:TIME: MORELimit, 2-738
- TRIGger:A:BUS:B<x>:MIL1553B:TIME: QUALifier, 2-739
- TRIGger:A:BUS:B<x>:PARallel:VALue, 2-740
- TRIGger:A:BUS:B<x>:RS232C:CONDItion, 2-740
- TRIGger:A:BUS:B<x>:RS232C:RX:DATA: SIZE, 2-740
- TRIGger:A:BUS:B<x>:RS232C:RX:DATA: VALue, 2-741
- TRIGger:A:BUS:B<x>:RS232C:TX:DATA: SIZE, 2-741
- TRIGger:A:BUS:B<x>:RS232C:TX:DATA: VALue, 2-742
- TRIGger:A:BUS:B<x>:SPI:CONDItion, 2-742
- TRIGger:A:BUS:B<x>:SPI:DATA:SIZE, 2-743
- TRIGger:A:BUS:B<x>:SPI:DATA{:IN|:MISO}: VALue, 2-743
- TRIGger:A:BUS:B<x>:SPI:DATA{:OUT|:MOSI}: VALue, 2-743
- TRIGger:A:BUS:B<x>:USB:ADDRESS: HIVALue, 2-744
- TRIGger:A:BUS:B<x>:USB:ADDRESS: VALue, 2-744
- TRIGger:A:BUS:B<x>:USB:CONDItion, 2-745
- TRIGger:A:BUS:B<x>:USB:DATA:HIVALue, 2-746
- TRIGger:A:BUS:B<x>:USB:DATA:OFFSet, 2-747
- TRIGger:A:BUS:B<x>:USB:DATA:SIZE, 2-747
- TRIGger:A:BUS:B<x>:USB:DATA:TYPE, 2-748
- TRIGger:A:BUS:B<x>:USB:DATA:VALue, 2-748
- TRIGger:A:BUS:B<x>:USB:ENDPoint: VALue, 2-749
- TRIGger:A:BUS:B<x>:USB:ERRTYPE, 2-750
- TRIGger:A:BUS:B<x>:USB: HANDSHAKEType, 2-750
- TRIGger:A:BUS:B<x>:USB:QUALifier, 2-751
- TRIGger:A:BUS:B<x>:USB: SOFFRAMENUMber, 2-752
- TRIGger:A:BUS:B<x>:USB:SPECIALType, 2-753
- TRIGger:A:BUS:B<x>:USB:SPLit:ET:VALue, 2-753
- TRIGger:A:BUS:B<x>:USB:SPLit:HUB: VALue, 2-754
- TRIGger:A:BUS:B<x>:USB:SPLit:PORT: VALue, 2-755
- TRIGger:A:BUS:B<x>:USB:SPLit:SC:VALue, 2-755
- TRIGger:A:BUS:B<x>:USB:SPLit:SE:VALue, 2-756
- TRIGger:A:BUS:B<x>:USB:TOKENType, 2-757
- TRIGger:A:BUS:SOURce, 2-758
- TRIGger:A:EDGE:COUPling, 2-759
- TRIGger:A:EDGE:SLOpe, 2-760
- TRIGger:A:EDGE:SOURce, 2-760
- TRIGger:A:EDGE?, 2-759
- TRIGger:A:HOLDoff:TIME, 2-762
- TRIGger:A:HOLDoff?, 2-761
- TRIGger:A:LEVel:AUXin, 2-762

- TRIGger:A:LEVel:CH<x>, 2-763
 TRIGger:A:LEVel:D<x>, 2-763
 TRIGger:A:LOGIc:CLAss, 2-764
 TRIGger:A:LOGIc:FUNcTION, 2-765
 TRIGger:A:LOGIc:INPut:CH<x>, 2-766
 TRIGger:A:LOGIc:INPut:CLOCK:EDGE, 2-767
 TRIGger:A:LOGIc:INPut:CLOCK:SOUrce, 2-767
 TRIGger:A:LOGIc:INPut:D<x>, 2-768
 TRIGger:A:LOGIc:INPut:RF, 2-768
 TRIGger:A:LOGIc:INPut?, 2-766
 TRIGger:A:LOGIc:PATtern:DELtAtime, 2-769
 TRIGger:A:LOGIc:PATtern:WHEn, 2-770
 TRIGger:A:LOGIc:PATtern?, 2-769
 TRIGger:A:LOGIc:THReshold:CH<x>, 2-770
 TRIGger:A:LOGIc:THReshold:D<x>, 2-771
 TRIGger:A:LOGIc:THReshold:RF, 2-771
 TRIGger:A:LOGIc?, 2-763
 TRIGger:A:LOWerthreshold:CH<x>, 2-772
 TRIGger:A:LOWerthreshold:D<x>, 2-773
 TRIGger:A:LOWerthreshold:RF, 2-773
 TRIGger:A:LOWerthreshold{:AUX|:EXT}, 2-772
 TRIGger:A:MODE, 2-774
 TRIGger:A:PULse:CLAss, 2-775
 TRIGger:A:PULSEWidth:HIGHLimit, 2-776
 TRIGger:A:PULSEWidth:LOWLimit, 2-776
 TRIGger:A:PULSEWidth:POLarity, 2-777
 TRIGger:A:PULSEWidth:SOUrce, 2-777
 TRIGger:A:PULSEWidth:WHEn, 2-778
 TRIGger:A:PULSEWidth:WIDth, 2-779
 TRIGger:A:RUNT:POLarity, 2-780
 TRIGger:A:RUNT:SOUrce, 2-781
 TRIGger:A:RUNT:WHEn, 2-781
 TRIGger:A:RUNT:WIDth, 2-782
 TRIGger:A:RUNT?, 2-780
 TRIGger:A:SETHold:CLOCK:EDGE, 2-783
 TRIGger:A:SETHold:CLOCK:SOUrce, 2-784
 TRIGger:A:SETHold:CLOCK:THReshold, 2-784
 TRIGger:A:SETHold:CLOCK?, 2-783
 TRIGger:A:SETHold:DATA:SOUrce, 2-785
 TRIGger:A:SETHold:DATA:THReshold, 2-786
 TRIGger:A:SETHold:DATA?, 2-785
 TRIGger:A:SETHold:HOLDTime, 2-787
 TRIGger:A:SETHold:SETTime, 2-787
 TRIGger:A:SETHold:THReshold:CH<x>, 2-788
 TRIGger:A:SETHold:THReshold:D<x>, 2-788
 TRIGger:A:SETHold?, 2-783
 TRIGger:A:TIMEOut:POLarity, 2-789
 TRIGger:A:TIMEOut:SOUrce, 2-789
 TRIGger:A:TIMEOut:TIME, 2-790
 TRIGger:A:TYPE, 2-794
 TRIGger:A:UPPerthreshold:CH<x>, 2-795
 TRIGger:A:UPPerthreshold:RF, 2-795
 TRIGger:A:VIDeo:CUSTom:LINEPeriod, 2-797
 TRIGger:A:VIDeo:CUSTom:SYNCInterval, 2-797
 TRIGger:A:VIDeo:CUSTom{:FORMat|:TYPE}, 2-796
 TRIGger:A:VIDeo:HOLDoff:FIELD, 2-798
 TRIGger:A:VIDeo:LINE, 2-799
 TRIGger:A:VIDeo:POLarity, 2-799
 TRIGger:A:VIDeo:SOUrce, 2-800
 TRIGger:A:VIDeo:STANdard, 2-800
 TRIGger:A:VIDeo?, 2-796
 TRIGger:A:VIDeo{:SYNC|:FIELD}, 2-802
 TRIGger:A{:TRANSition|:RISEFall|:DELtAtime}, 2-791
 TRIGger:A{:TRANSition|:RISEFall}:POLarity, 2-792
 TRIGger:A{:TRANSition|:RISEFall}:SOUrce, 2-792
 TRIGger:A{:TRANSition|:RISEFall}:WHEn, 2-793
 TRIGger:A{:TRANSition|:RISEFall}?, 2-791
 TRIGger:B, 2-803
 TRIGger:B:BY, 2-804
 TRIGger:B:EDGE:COUPLing, 2-805
 TRIGger:B:EDGE:SLOpe, 2-805
 TRIGger:B:EDGE:SOUrce, 2-806
 TRIGger:B:EDGE?, 2-804
 TRIGger:B:EVENTS:COUNt, 2-807
 TRIGger:B:EVENTS?, 2-806
 TRIGger:B:LEVel, 2-807
 TRIGger:B:LEVel:CH<x>, 2-808
 TRIGger:B:LEVel:D<x>, 2-808
 TRIGger:B:LOWerthreshold:CH<x>, 2-809
 TRIGger:B:LOWerthreshold:D<x>, 2-809
 TRIGger:B:STATE, 2-810
 TRIGger:B:TIME, 2-810
 TRIGger:B:TYPE, 2-811
 TRIGger:EXTernal:PRObe, 2-811
 TRIGger:EXTernal:YUNIts?, 2-812
 TRIGger:EXTernal?, 2-811
 TRIGger:FREQuency?, 2-812
 TRIGger:STATE?, 2-812
 *TST?, 2-813
- U**
- UNLock, 2-813

USBDevice:CONFigure, 2-814
USBTMC:PRODUCTID:DECimal?, 2-814
USBTMC:PRODUCTID:HEXadecimal?, 2-815
USBTMC:SERIALnumber?, 2-815
USBTMC:VENDORID:DECimal?, 2-816
USBTMC:VENDORID:HEXadecimal?, 2-816
USBTMC?, 2-814

V

VERBose, 2-817
Vertical Command Group, 2-83

W

*WAI, 2-818
Waveform Transfer Command Group, 2-95
WAVFrm?, 2-818
WFMInpre:BIT_Nr, 2-819
WFMInpre:BN_Fmt, 2-820
WFMInpre:BYT_Nr, 2-821
WFMInpre:BYT_Or, 2-821
WFMInpre:CENTERFREQuency, 2-822
WFMInpre:DOMain, 2-823
WFMInpre:ENCdg, 2-823
WFMInpre:NR_Pt, 2-824
WFMInpre:PT_Fmt, 2-825
WFMInpre:PT_Off, 2-826
WFMInpre:REFLevel, 2-826
WFMInpre:SPAN, 2-827
WFMInpre:WFMTYPE, 2-827
WFMInpre:XINcr, 2-828
WFMInpre:XUNit, 2-829
WFMInpre:XZEro, 2-829
WFMInpre:YMUlt, 2-830
WFMInpre:YOFf, 2-831
WFMInpre:YUNit, 2-832
WFMInpre:YZEro, 2-833

WFMInpre?, 2-819
WFMOutpre:BIT_Nr, 2-834
WFMOutpre:BN_Fmt, 2-835
WFMOutpre:BYT_Nr, 2-836
WFMOutpre:BYT_Or, 2-837
WFMOutpre:CENTERFREQuency?, 2-838
WFMOutpre:DOMain?, 2-838
WFMOutpre:ENCdg, 2-839
WFMOutpre:NR_Pt?, 2-839
WFMOutpre:PT_Fmt?, 2-840
WFMOutpre:PT_Off?, 2-841
WFMOutpre:PT_ORder?, 2-841
WFMOutpre:REFLevel?, 2-842
WFMOutpre:SPAN?, 2-842
WFMOutpre:WFId?, 2-842
WFMOutpre:WFMTYPE?, 2-844
WFMOutpre:XINcr?, 2-845
WFMOutpre:XUNit?, 2-845
WFMOutpre:XZEro?, 2-846
WFMOutpre:YMUlt?, 2-846
WFMOutpre:YOFf?, 2-847
WFMOutpre:YUNit?, 2-847
WFMOutpre:YZEro?, 2-848
WFMOutpre?, 2-834

Z

Zoom Command Group, 2-100
ZOOM:ZOOM<x>:FACtor?, 2-850
ZOOM:ZOOM<x>:POSition, 2-850
ZOOM:ZOOM<x>:SCAle, 2-850
ZOOM:ZOOM<x>:STATE, 2-851
ZOOM:ZOOM<x>:TRIGPOS?, 2-851
ZOOM:ZOOM<x>?, 2-849
ZOOM?, 2-848
ZOOM{:MODE|:STATE}, 2-849