

**016-2095-00 and above
Rackmount Kit
Instructions**

Warning

The servicing instructions are for use by qualified personnel only. To avoid personal injury, do not perform any servicing unless you are qualified to do so. Refer to all safety summaries prior to performing service.



Copyright © Tektronix. All rights reserved. Licensed software products are owned by Tektronix or its subsidiaries or suppliers, and are protected by national copyright laws and international treaty provisions. Tektronix products are covered by U.S. and foreign patents, issued and pending. Information in this publication supersedes that in all previously published material. Specifications and price change privileges reserved.

TEKTRONIX and TEK are registered trademarks of Tektronix, Inc.

Contacting Tektronix

Tektronix, Inc.
14150 SW Karl Braun Drive
P.O. Box 500
Beaverton, OR 97077
USA

For product information, sales, service, and technical support:

- In North America, call 1-800-833-9200.
- Worldwide, visit www.tektronix.com to find contacts in your area.

Table of Contents

Service safety summary	iii
------------------------------	-----

Kit description

Products	1
Minimum tool and equipment list	1
Kit parts list	1
Warranted characteristics	2
Clearance requirements	3

DPO7000SX Installation instructions

Assemble the instrument on the rack platform	5
--	---

OM4200 Installation Instructions

Assemble the instrument on the rack platform	11
--	----

Dimensions

Service safety summary

Only qualified personnel should perform service procedures. Read this *Service safety summary* and the *General safety summary* in the service manual for your product before performing any service procedures.

Do not service alone. Do not perform internal service or adjustments of this product unless another person capable of rendering first aid and resuscitation is present.

Disconnect power. To avoid electric shock, switch off the instrument power, then disconnect the power cord from the mains power.

Use care when servicing with power on. Dangerous voltages or currents may exist in this product. Disconnect power, remove battery (if applicable), and disconnect test leads before removing protective panels, soldering, or replacing components.

To avoid electric shock, do not touch exposed connections.

Kit description

This document supports Tektronix DPO70000SX and OM4200 Series instruments. The rackmount kit is a collection of parts that, once installed, configure the instrument for mounting into a standard 19-inch equipment rack.

Products

Item	Description
Kit 016-2095-xx	Rackmount tray configuration:
DPO70000SX Series	All
OM4200 Series	All

Minimum tool and equipment list

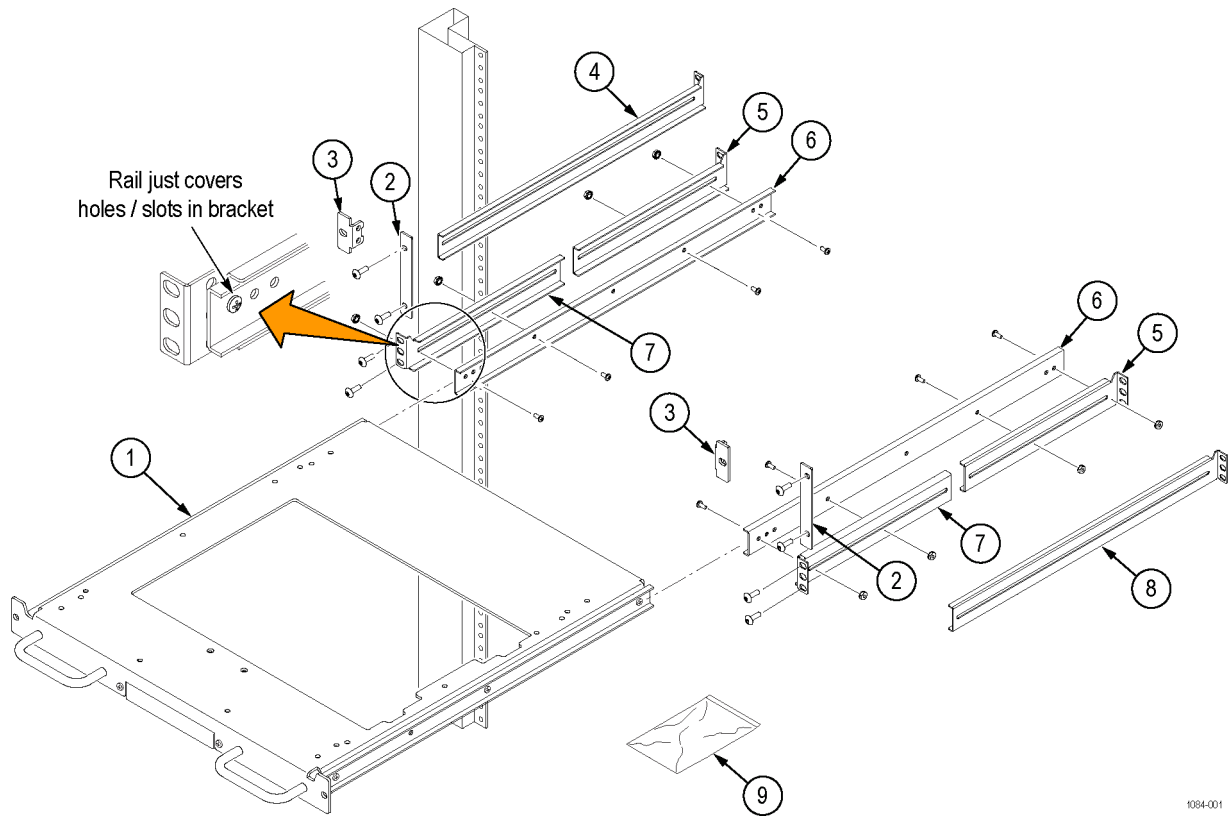
Required tools and equipment	Part number
Screwdriver, Phillips, #2	Standard tool
T-15 Torx tip	Torx-driver tip for T-15 size screw heads
T-20 Torx tip	Torx-driver tip for T-20 size screw heads
Screwdriver handle (magnetic)	Accepts 1/4 inch hex-head driver tips

Kit parts list

The following table lists the parts for the kit; not all of the parts will be needed for your instrument setup.

Item	Quantity	Part number	Description
----	1 each	075-1084-xx	Technical manual, rackmount kit instructions
----	1 each	016-2095-xx	Rackmount kit consisting of the following items:
1	1 each	436-0443-xx	Bracket, rack, platform
2	2 each	407-5932-xx	Bracket, rack ear, 4U (use with DPO70000 Series)
3	2 each	407-5736-xx	Bracket, rack ear, 1U (use with OM4200 Series)
4	1 each	407-5234-xx	Bracket, rail, rack rear, left
5	2 each	407-5227-xx	Bracket, rail, rack, left
6	2 each	351-1123-xx	Rail, slide (left and right)
7	2 each	407-5228-xx	Bracket, rail, rack, left
8	1 each	407-5235-xx	Racket, rail, rack rear, right
9	1 each	----	Rackmount hardware

The following figure shows an exploded view of the rack kit contents with the identifying item numbers in the preceding table.



1084-001

Figure 1: Rackmount kit parts

Warranted characteristics

When the instrument is installed according to the instructions in this document, the rackmounted instrument meets all warranted requirements listed in the instrument specification. Instruments mounted using methods other than those described in these instructions might not meet their warranted requirements.

For tables of the warranted characteristics, see *Specifications* in the specification and performance verification manual that applies to your instrument model.



CAUTION. *The instrument might be damaged due to overheating. When installing multiple instruments in an instrument rack, the ambient temperature may go up. You assume the responsibility to provide adequate cooling to meet the ambient temperature requirements listed in the specifications.*

The ambient temperature inside the instrument rack will vary depending on the location of the instrument within the instrument rack. Tektronix recommends that you measure the ambient temperature in the desired rack location before you install the instrument to ensure the operating temperature does not exceed the rated ambient temperature limit. If necessary, refer to the Environmental Specifications in your product documentation for the operating temperature limits.

Clearance requirements

The rack in which the individual instrument is mounted must provide the following clearance requirements:

DPO70000SX models:

- At least 177 mm (7.0 in) of vertical space
- A minimum width of 454 mm (17.72 in) between the left- and right-front rails in the rack. If possible, consider allowing at least 38 mm (1.5 in) on the right and left sides for adequate airflow.
- A minimum inside depth of at least 523 mm (20.6 in) depth (from rack mounting ear to back of instrument)

Airflow enters from the bottom and right-hand sides and exits on the left-hand side when viewed from the front.

OM4200 Series models:

- At least 89.7 mm (3.5 in) of vertical space
- A minimum width of 454 mm (17.72 in) between the left- and right-front mounting flanges in the rack. If possible, consider allowing at least 51 mm (2.0 in) on the right and left sides for adequate airflow.
- A minimum inside depth of at least 558.3 mm (21.98 in) depth (including connectors and rear feet)

Airflow enters from the front of the instrument and exits to the rear.



CAUTION. Adhering to these requirements mounts the rack-adapted instrument with enough clearance for air circulation and accommodation of the power cord and mounting hardware. Failure to provide these clearances can result in overheating and can cause the instrument to operate improperly or fail.

DPO7000SX Installation instructions

These instructions are for qualified service personnel who are familiar with servicing the product. If you need further details for disassembling or reassembling the product, refer to the appropriate product manual. Contact your nearest Tektronix, Inc., Service Center or Tektronix Factory Service for installation assistance.

Assemble the instrument on the rack platform

The DPO7000SX Series instrument can be installed on the rack platform in one of two positions: the normal, upright position or in the inverted position. Use the inverted configuration when the instrument is used with other instruments to keep the length of the input cables to a minimum.

NOTE. *The rack rails are pre-installed on the rack tray; this is adequate for most applications. If your instrument configuration requires a deeper rack, remove the shorter rear rails and replace them with the longer rails provided with the kit.*

1. Locate the rack slides and attach them to your equipment rack.

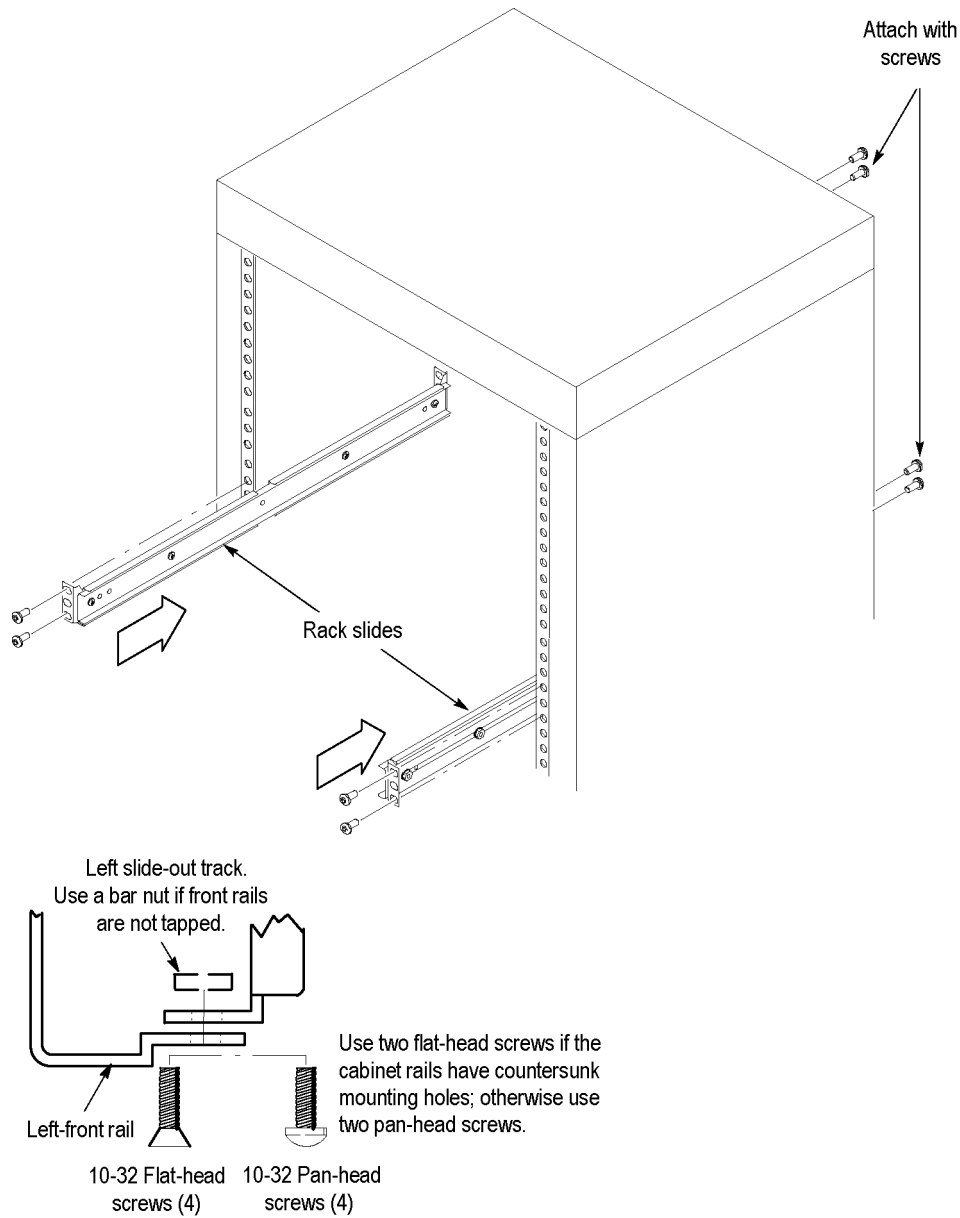


Figure 2: Installing the rail slides

2. Install the rack platform in your equipment rack by inserting the platform into the slides as shown.

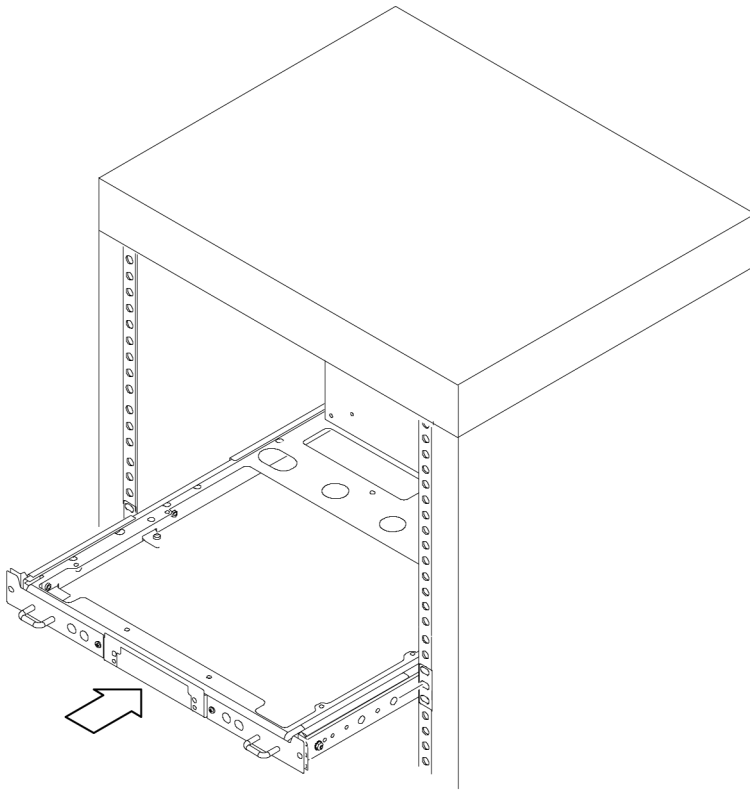


Figure 3: Installation of rack platform assembly in rack (top view)



WARNING. To avoid personal injury, prevent the instrument from tipping or dropping, two or more people should install this instrument into the rack cabinet.

After completing the installation procedure, verify that the instrument and the rack cabinet will not tip forward while the instrument is in the extended position.

Do not leave the instrument extended when finished accessing the instrument.

3. To install the instrument in the normal, upright position:
 - a. Remove the side feet, bottom feet, and handle as shown. Save the feet and handle for future use.
 - b. Use 12 screws to mount the instrument on the rack plate as shown.

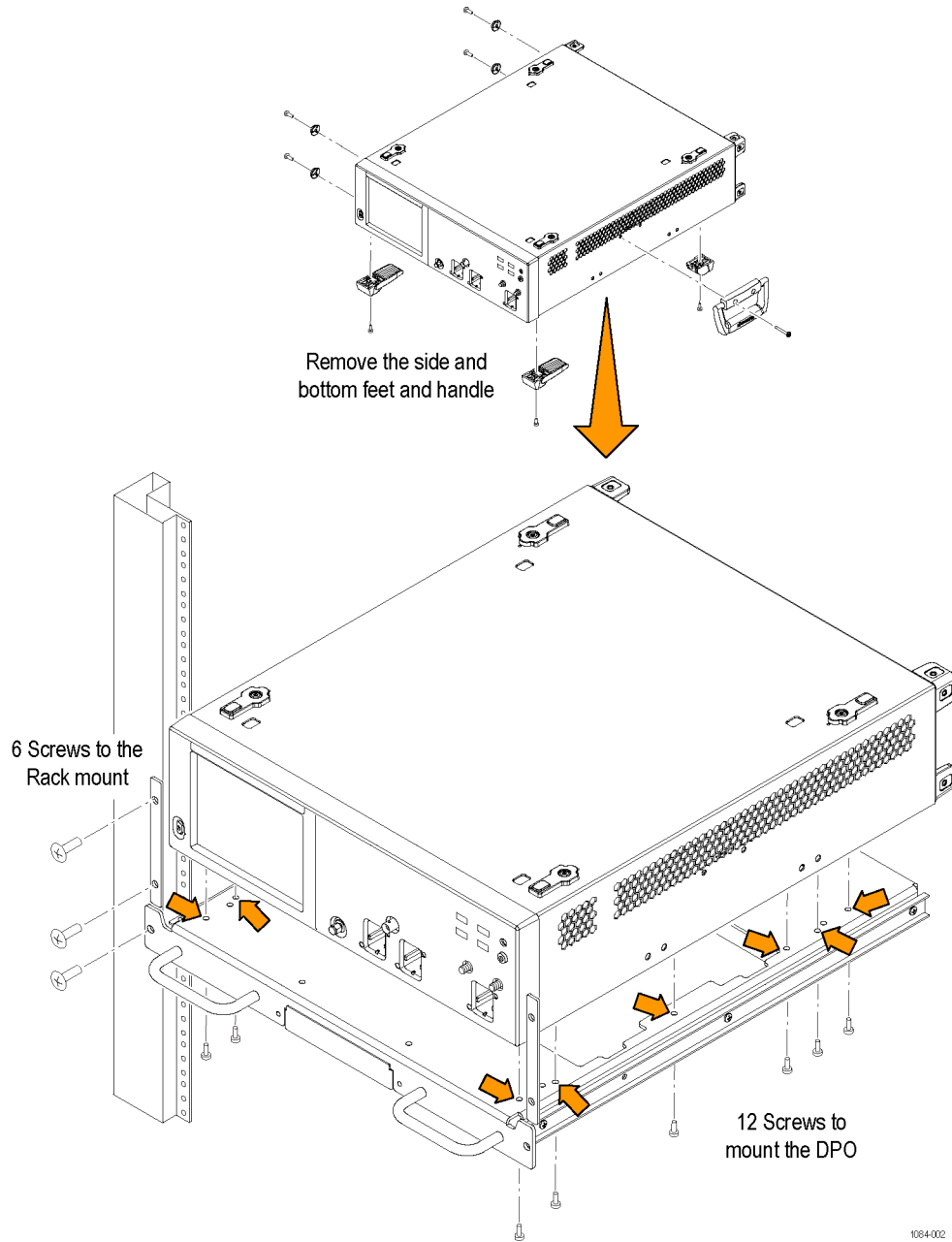


Figure 4: Install the instrument in the upright position

4. To install the instrument in the inverted position:
 - a. Remove the top feet, side feet, bottom feet, and handle as shown. Save the feet and handle for future use.
 - b. Use four screws to mount the instrument on the rack plate as shown.

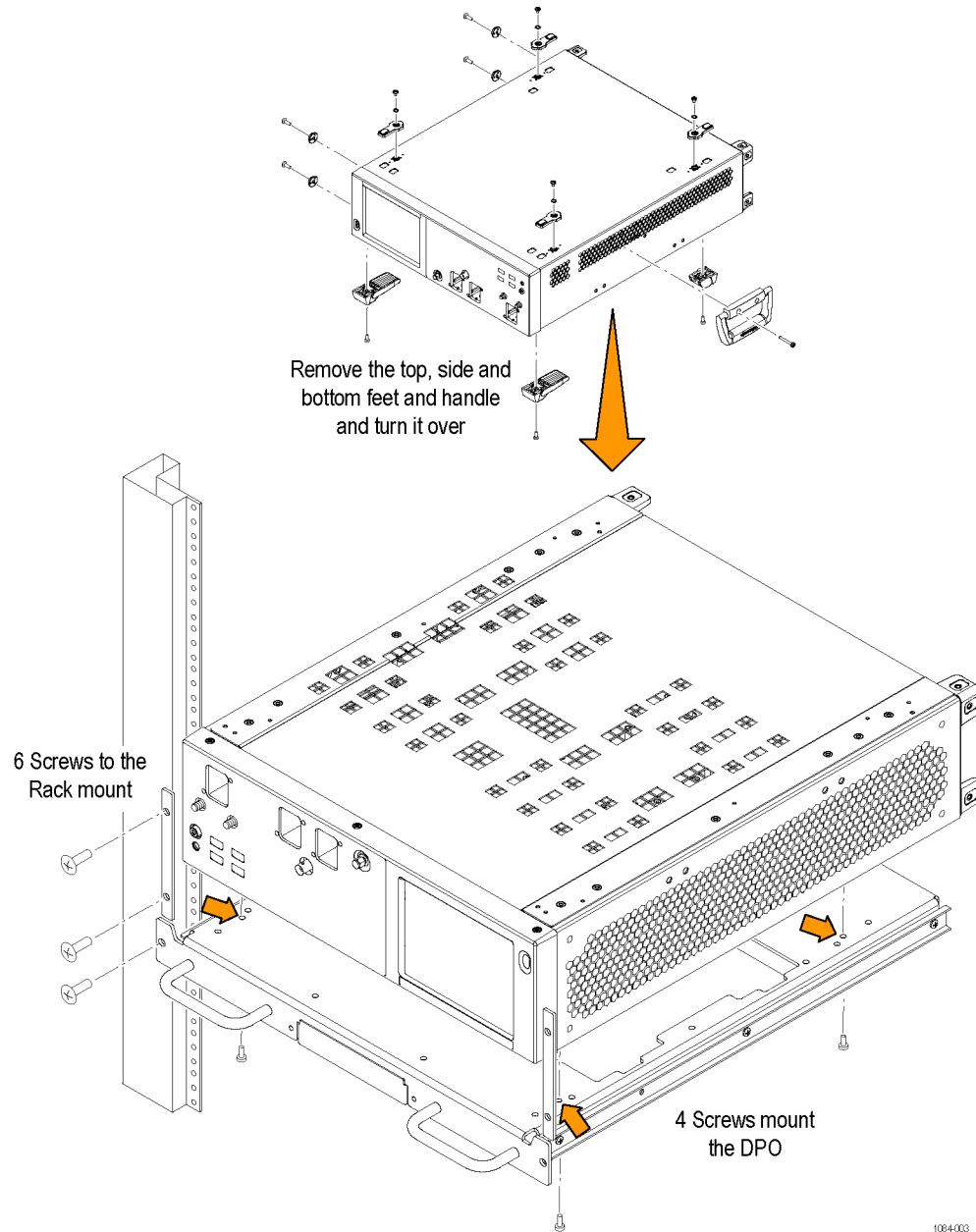


Figure 5: Install the instrument in the inverted position

5. Install the power cord. Provide access to a power plug or mains disconnect switch for turning the instrument on/off.
6. Optionally install any cables you need connected to the instrument rear panel.
7. Slide the instrument into the equipment rack.
8. Install the 4U trim plates as shown.

OM4200 Installation Instructions

These instructions are for qualified service personnel who are familiar with servicing the product. If you need further details for disassembling or reassembling the product, refer to the appropriate product manual. Contact your nearest Tektronix, Inc., Service Center or Tektronix Factory Service for installation assistance.

Assemble the instrument on the rack platform

The OM4200 instrument is installed on the rack platform in the normal, upright position.

NOTE. *The rack rails are pre-installed on the rack tray; this is adequate for most applications. If your instrument configuration requires a deeper rack, remove the shorter front rails and replace them with the longer rails provided with the kit.*

1. Locate the rack slides and attach them to your equipment rack.

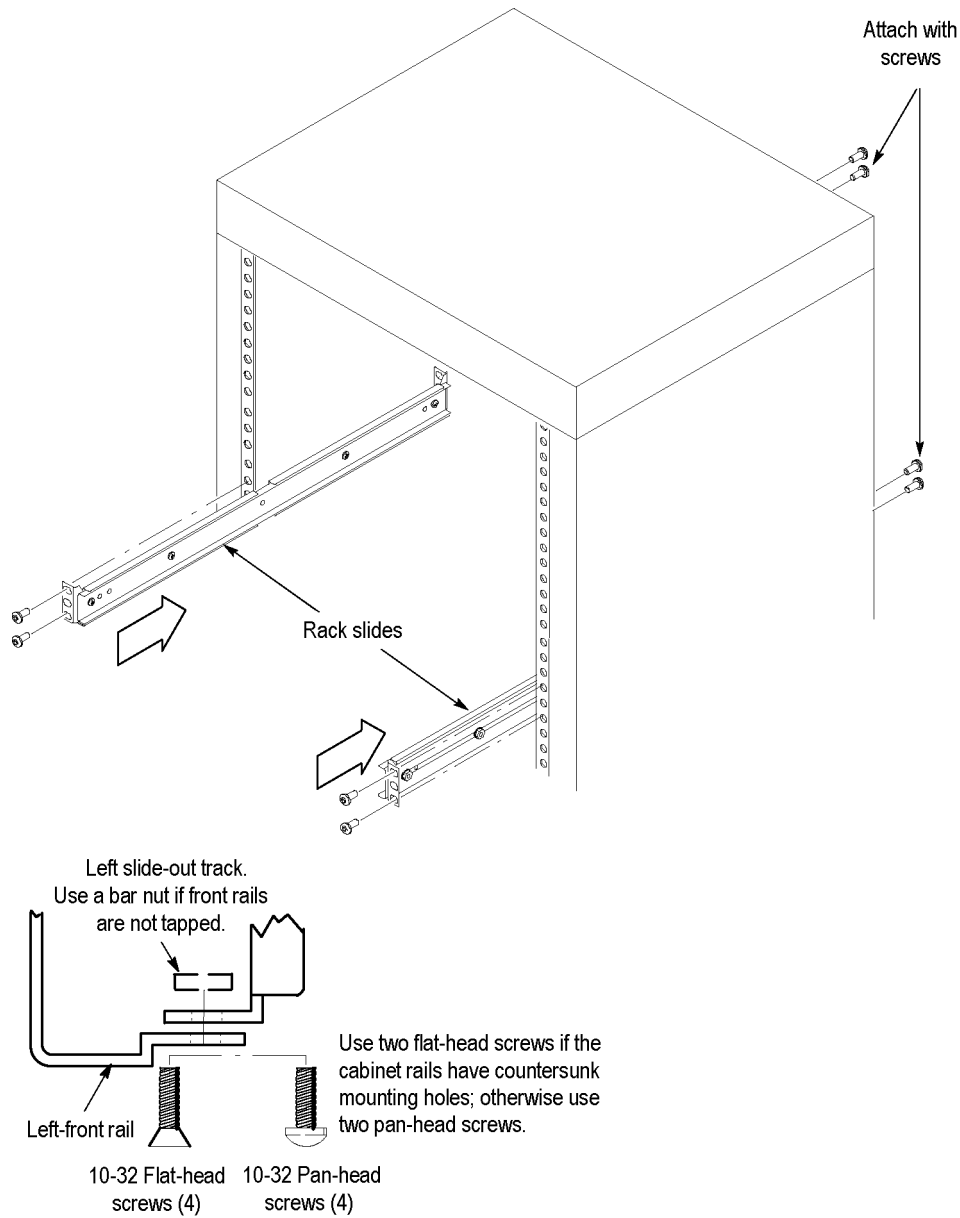


Figure 6: Installing the rail slides

2. Install the rack platform in your equipment rack by inserting the platform into the slides as shown.

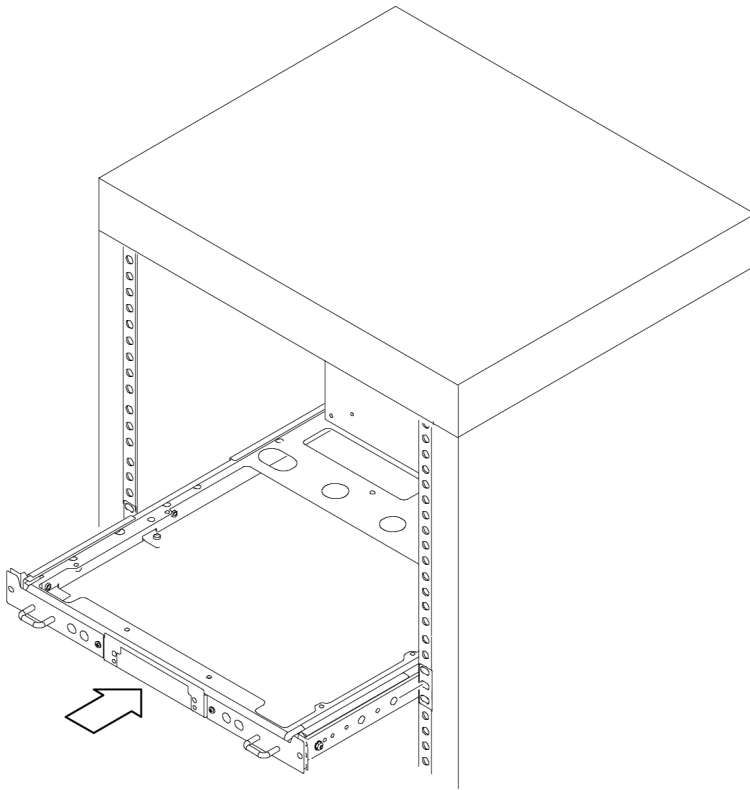


Figure 7: Installation of rack platform assembly in rack (top view)



WARNING. To avoid personal injury, prevent the instrument from tipping or dropping, two or more people should install this instrument into the rack cabinet.

After completing the installation procedure, verify that the instrument and the rack cabinet will not tip forward while the instrument is in the extended position.

Do not leave the instrument extended when finished accessing the instrument.

3. Remove the bottom feet from the instrument. Store the plastic feet in a safe location for future use but save the screws for mounting the instrument on the rack plate.

4. Install the instrument on the rack plate as shown. Use the screws from the bottom feet to secure the instrument to the rack plate.

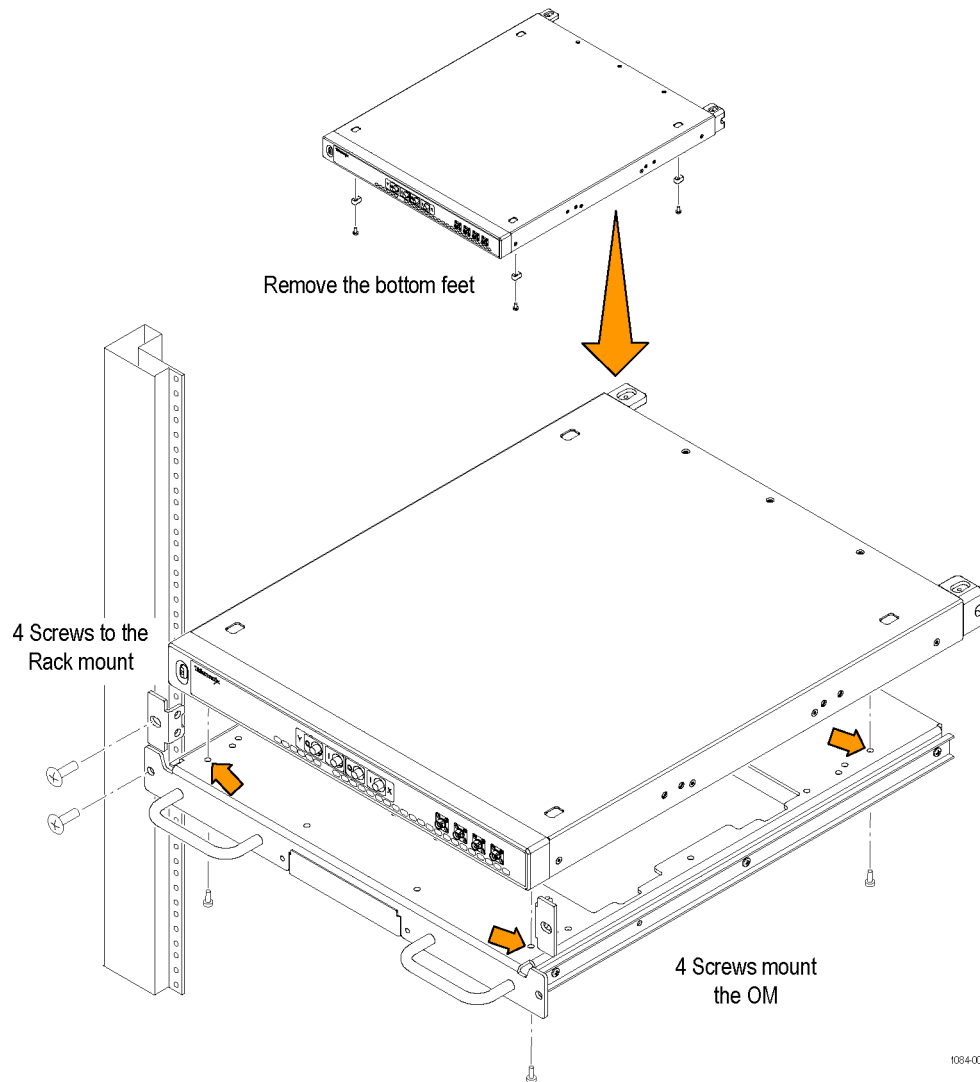
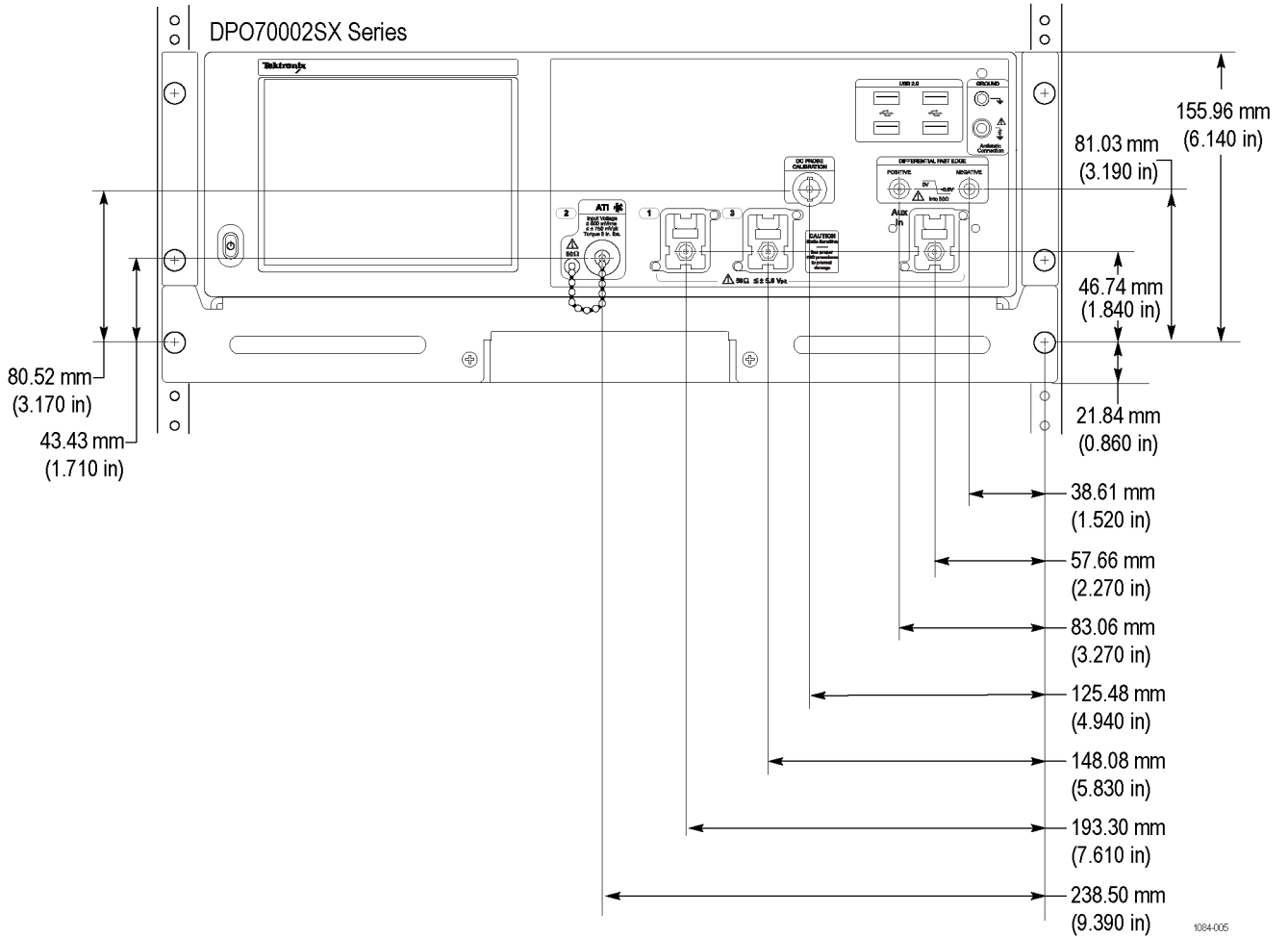
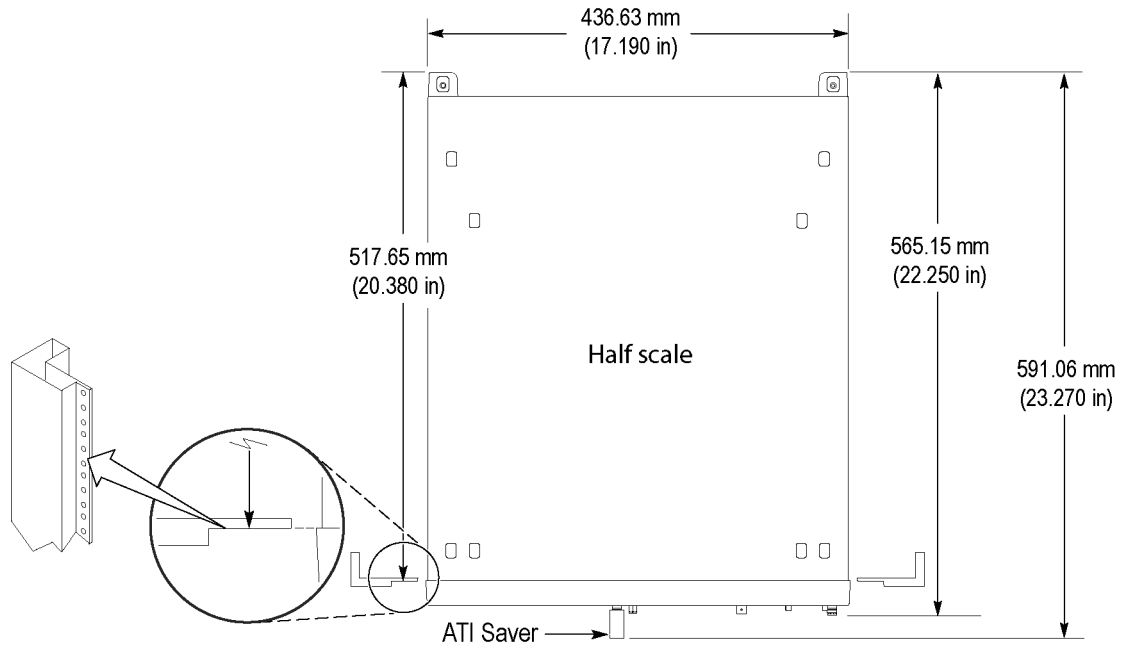


Figure 8: Installing the instrument on the rack plate

5. Install the power cord. Provide access to a power plug or mains disconnect switch for turning the instrument on/off.
6. Optionally install any cables you need connected to the instrument rear panel.
7. Slide the instrument into the equipment rack.
8. Install the 1U trim plates as shown.

Dimensions



1084-005

