

**TekExpress®**  
**MHL Advanced Analysis and Compliance Solution**  
**Online Help**



077-0620-01

**Tektronix**



**TekExpress®**  
**MHL Advanced Analysis and Compliance Solution**  
**Online Help**

Copyright © Tektronix. All rights reserved. Licensed software products are owned by Tektronix or its subsidiaries or suppliers, and are protected by national copyright laws and international treaty provisions.

Tektronix products are covered by U.S. and foreign patents, issued and pending. Information in this publication supersedes that in all previously published material. Specifications and price change privileges reserved.

TEKTRONIX and TEK are registered trademarks of Tektronix, Inc.

TekExpress is a registered trademark of Tektronix, Inc.

TekExpress MHL Advanced Analysis and Compliance Solution Online Help, 076-0256-01

### **Contacting Tektronix**

Tektronix, Inc.  
14150 SW Karl Braun Drive  
P.O. Box 500  
Beaverton, OR 97077  
USA

For product information, sales, service, and technical support:

- In North America, call 1-800-833-9200.
- Worldwide, visit [www.tektronix.com](http://www.tektronix.com) to find contacts in your area.

# Table of Contents

## Getting Help and Support

Related Documentation .....	1
Conventions Used in Help .....	1
Technical Support .....	2

## Getting Started

Installing the Software	
Compatibility .....	3
Minimum System Requirements .....	3
Install the Software .....	5
Activate the License .....	5
View Version and License Information .....	6
Introduction to the Application	
TekExpress MHL Application Overview .....	6
Application Directories and Usage .....	11
File Name Extensions .....	12

## Operating Basics

Start the Application .....	13
Exit the Application .....	13
Application Controls and Menus	
Application Controls .....	14
Options Menu .....	15
Email Settings .....	17
Instrument Control Settings .....	18
Panels	
About Panels .....	18
Setup Panel: MHL Transmitter Tests .....	19
Setup Panel: MHL Receiver Tests .....	27
Status Panel .....	33
Results Panel: MHL Transmitter Tests .....	36
Results Panel: MHL Receiver Tests .....	37
Reports Panel: MHL Transmitter Tests .....	37
Reports Panel: MHL Receiver Tests .....	40

## Saving and Recalling Test Setups

About Test Setups .....	41
Save a Test Setup .....	41

Recall a Saved Test Setup .....	42
Create a New Test Setup Based on an Existing One.....	42
Delete a Test Setup .....	43

## Setting Up Tests (MHL Transmitter)

About Setting Up Tests (MHL Transmitter) .....	45
Equipment Connection Setup (MHL Transmitter) .....	48
Clock and Data Tests .....	48
View Connected Instruments .....	51
Test Setup Overview (MHL Transmitter) .....	53
Select Device Parameters (MHL Transmitter) .....	53
Select a Test (MHL Transmitter).....	56
Selecting Acquisitions	
About Acquisitions (MHL Transmitter only).....	56
Use Prerecorded Waveforms for Analysis (MHL Transmitter only).....	61
Acquire Live Waveforms for Analysis (MHL Transmitter only).....	62

## Configuring Tests (MHL Transmitter)

Configuring Tests (MHL Transmitter) .....	63
Common Test Parameters and Values (MHL Transmitter).....	64
Configure Email Notification.....	66
Select Report Options (MHL Transmitter) .....	68

## Setting Up Tests (MHL Receiver)

About Setting Up Tests (MHL Receiver) .....	69
Equipment Connection Setup (MHL Receiver) .....	71
Sink Tests .....	71
Dongle Tests.....	76
Test Setup Overview (MHL Receiver) .....	80
Select Device Parameters (MHL Receiver).....	81
Select a Test (MHL Receiver).....	82

## Configuring Tests (MHL Receiver)

Configuring Tests (MHL Receiver).....	83
Common Test Parameters and Values (MHL Receiver) .....	83
Configure Email Notification.....	84

## Running Tests and Viewing Results (MHL Transmitter)

Before You Click Start (MHL Transmitter).....	87
Pre-Run Check List (MHL Transmitter) .....	89
View the Progress of Analysis (MHL Transmitter).....	89
View Test Results (MHL Transmitter) .....	91

View a Report (MHL Transmitter) .....	91
View Test-Related Files (MHL Transmitter) .....	94

## Running Tests and Viewing Results (MHL Receiver)

Before You Click Start (MHL Receiver).....	95
Pre-Run Check List (MHL Receiver) .....	97
View the Progress of Analysis (MHL Receiver).....	97
View Test Results (MHL Receiver) .....	99
View a Report (MHL Receiver).....	100
View Test-Related Files (MHL Receiver) .....	101

## TekExpress Programmatic Interface

About the Programmatic Interface.....	103
Requirements for Developing TekExpress Client.....	103
Remote Proxy Object .....	105
Client Proxy Object .....	105
Client Programmatic Interface Example .....	107
Program Example.....	110
MHL Application Commands	
About TekExpress MHL Application Commands .....	114
Connect Through an IP Address .....	120
Lock the Server .....	121
Disable the Popups .....	122
Set or Get the DUT ID .....	123
Set the Configuration Parameters for a Suite or Measurement .....	124
Query the Configuration Parameters for a Suite or Measurement.....	127
Select a Measurement .....	129
Select a Suite .....	134
Set Pixel Mode .....	134
Set Resolution.....	135
Set Termination Source Method.....	137
Set Termination Voltage.....	138
Run with Set Configurations or Stop the Run Operation.....	139
Handle Error Codes.....	140
Get or Set the Timeout Value .....	141
Wait for the Test to Complete .....	141
After the Test is Complete .....	144
Save, Recall, or Check if a Session is Saved .....	147
Unlock the Server.....	148
Disconnect from the Server.....	148

## Algorithms

About Algorithms .....	149
MHL Transmitter Group 1: Clock Tests	
3.1.1.1 Standby Output Voltage — $V_{OFF}$ .....	149
3.1.1.7 Common-mode Rise and Fall Times- $TR_{CM}$ , $TF_{CM}$ Test .....	151
3.1.1.10 MHL Clock Duty Cycle 24-Bit or Packed Pixel Mode Test.....	153
3.1.1.11 MHL Clock Jitter Test .....	154
MHL Transmitter Group 2: Data Tests	
3.1.1.2 Single-Ended High Level Voltage- $V_{SE\_HIGH}$ Test.....	154
3.1.1.3 Single-Ended Low Level Voltages- $V_{SE\_LOW}$ Test .....	155
3.1.1.4 Differential Output Swing Voltage- $VDF\_SWING$ Test .....	157
3.1.1.5 Common-Mode Output Swing Voltage- $V\_CMSWING$ Test .....	158
3.1.1.6 Differential Rise and Fall Times- $TR\_DF$ , $TF\_DF$ Test.....	159
3.1.1.8 Differential Intra-Pair Skew- $TSKEW\_DF$ Test.....	160
3.1.1.12 MHL Data Eye Diagram Test .....	161
MHL Receiver Group 1: Sink Tests	
4.1.1.1 Input Signal DC Voltage Level Tolerance Test .....	161
4.1.1.2 Input Signal Minimum and Maximum Swing Voltages Tolerance .....	164
4.1.1.3 Intra-Pair Skew Tolerance Test.....	168
4.1.1.4 Jitter Tolerance Test.....	170
MHL Receiver Group 2: Dongle Tests	
5.1.1.1 Input Signal Single-Ended Voltage Level Tolerance.....	171
5.1.1.2 Input Signal Minimum and Maximum Swing Voltage Tolerance Test.....	174
5.1.1.3 Intra-Pair Skew Tolerance Test.....	178
5.1.1.4 Jitter Tolerance Test.....	180

## Reference

Measurement Parameter Descriptions (MHL Transmitter) .....	183
Measurement Parameter Descriptions (MHL Receiver) .....	185
Map the My TekExpress Folder.....	187

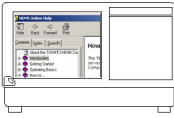
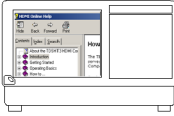

## Index



## Related Documentation

The following manuals are available as part of the TekExpress MHL Advanced Analysis and Compliance Solution documentation set.

**Table 1: Product documentation**

Item	Purpose	Location
Online Help	In-depth operation and UI help	
PDF of the Online Help	In-depth operation and UI help	 +  <a href="http://www.Tektronix.com">www.Tektronix.com</a>

### See Also

- [Technical Support \(see page 2\)](#)

## Conventions Used in Help

Online Help uses the following conventions:

- The term “DUT” is an abbreviation of Device Under Test.
- The term “select” is a generic term that applies to the two mechanical methods of choosing an option: using a mouse or using the touch screen.

## Technical Support

Tektronix values your feedback on our products. To help us serve you better, please send us your suggestions, ideas, or comments on your application or oscilloscope. Contact Tektronix through mail, telephone, or the Web site. See [Contacting Tektronix](#) for more information.

When you contact Tektronix Technical Support, please include the following information (be as specific as possible):

### General Information

- All instrument model numbers
- Hardware options, if any
- Probes used
- Your name, company, mailing address, phone number, FAX number
- Please indicate if you would like to be contacted by Tektronix about your suggestion or comments.

### Application Specific Information

- Software version number
- Description of the problem such that technical support can duplicate the problem
- If possible, save the setup files for all the instruments used and the application.
- If possible, save the TekExpress setup files, log.xml, \*.TekX (session files and folders), and status messages text file.
- If possible, save the waveform on which you are performing the measurement as a .wfm file.

## Compatibility

The TekExpress MHL application runs on the following Tektronix oscilloscopes:

- DPO/DSA/MSO72004, DPO/DSA72004B, DPO/DSA/MSO71604, DPO/DSA71604B, DPO/DSA/MSO71254, DPO/DSA/MSO71254B, DPO/DSA/MSO70804 and DPO/DSA/MSO70804 B Digital Oscilloscopes with Option DJA
- DPO/DSA/MSO72004C 20 GHz, DPO/DSA/MSO71604C 16 GHz, DPO/DSA/MSO71254C 12.5 GHz, and DPO/DSA/MSO70804C 8 GHz, Digital Oscilloscopes with Option DJA
- DSA73304D, DSA72504D, DPO73304D, DPO72504D Digital Oscilloscopes with Option DJA

### See Also

- [Minimum System Requirements \(see page 3\)](#)

## Minimum System Requirements

The following table shows the minimum system requirements for an oscilloscope to run TekExpress.

**Table 2: System requirements**

<b>Oscilloscope</b>	(BW > 8 GHz), 16M Record Length/Ch - Opt. 4M/2XL or more (for Eye Diagram and Jitter tests), and 20XL for MHL Protocol analysis software For a list of compatible oscilloscopes, see <a href="#">Compatibility (see page 3)</a> .
<b>Processor</b>	Same as the oscilloscope
<b>Operating System</b>	Same as the oscilloscope
<b>Memory</b>	Same as the oscilloscope
<b>Hard Disk</b>	Same as the oscilloscope
<b>Display</b>	Same as the oscilloscope <sup>1</sup>
<b>Software</b>	<ul style="list-style-type: none"> <li>■ Opt MHD – Advanced Analysis and Compliance software</li> <li>■ DPOJET, Jitter and Eye Diagram Analysis Tool, 3.5.0.17 or later</li> <li>■ National Instruments TestStand engine 4.2.1</li> <li>■ Microsoft Excel 2002 or above</li> <li>■ Microsoft Internet Explorer 6.0 SP1 or later</li> <li>■ Microsoft Photo Editor 3.0 or equivalent software for viewing image files</li> <li>■ Adobe Reader 8.0 or equivalent software for viewing portable document format (PDF) files</li> </ul>

**Table 2: System requirements (cont.)**

<b>Probes</b>	<ul style="list-style-type: none"> <li>■ Two Differential Probes – P7313SMA for Single-Ended and Differential tests</li> <li>■ One Differential Probe – P7240 for Common-Mode tests</li> </ul>
<b>MHL Sources</b>	<ul style="list-style-type: none"> <li>■ MHL Tx DUTs</li> <li>■ One AWG7122 B/ C with Option 01, 02/06 and 08 which can be used as an MHL DUT</li> <li>■ MHL Ref waveforms</li> </ul>
<b>TDR Tests</b>	<ul style="list-style-type: none"> <li>■ Oscilloscope – DSA8200 or equivalent with 80E03 and 80E04 modules and I-Connect software</li> </ul>
<b>MHL Generator for Sink and Dongle tests</b>	<ul style="list-style-type: none"> <li>■ AWG7122B/C with option 01 and 02 or 06 and 08</li> </ul>
<b>Test Fixtures</b>	<p>MHL fixture kits from Tektronix</p> <ul style="list-style-type: none"> <li>■ TF-MHL-TPA-TEK (Complete MHL Fixture kit)</li> <li>■ TF-MHL-TPA-TEK-SO (Source Fixture Only kit)</li> <li>■ TF-MHL-TPA-TEK-SI (Sink Fixture kit)</li> <li>■ TF-MHL-TPA-TEK-DG (Dongle Fixture kit)</li> <li>■ TF-MHL-TPA-TEK-CB (Cable Fixture kit)</li> <li>■ TF-MHL-TPA-TEK-RSEN (RSEN kit)</li> </ul>
<b>MHL Accessory Kit</b> ( to be used with AWG)	<ul style="list-style-type: none"> <li>■ Two Bias Tees from Mini-Circuits – ZX85-12G-S+</li> <li>■ Two Amplifiers from Pico Second Pulse Labs – 5866 (needed only for Sink/Dongle Min/Max test)</li> <li>■ Two 120PS TTC filters from Pico Second Pulse Labs – 5915-100-120PS</li> </ul>
<b>Other Devices</b>	<ul style="list-style-type: none"> <li>■ Microsoft compatible mouse or compatible pointing device</li> <li>■ Four USB ports (two USB ports minimum)</li> <li>■ PCI-GPIB or equivalent interface for instrument connectivity <sup>2</sup></li> <li>■ 2 pair of SMA cables</li> </ul>

<sup>1</sup> If TekExpress is running on an instrument having a video resolution lower than 800 x 600 (for example, sampling oscilloscope), it is recommended that you connect a secondary monitor, which must be enabled before launching the application.

<sup>2</sup> If TekExpress is installed on a Tektronix oscilloscope, the virtual GPIB port will be used by TekExpress for communicating with oscilloscope applications. If external GPIB communication devices such as USB-GPIB-HS or equivalent are used for instrument connectivity, ensure that the Talker Listener utility is enabled in the DPO/DSA oscilloscope's GPIB menu. For ease of use, connect to an external (secondary) monitor.

### See Also

- [Compatibility \(see page 3\)](#)

## Install the Software

The software can be installed on any compatible instrument running Windows XP or Windows 7.

1. Close all applications.
2. Go to the [www.tek.com](http://www.tek.com) Web site and search for MHL to locate the installation file. Download the file `MHL_webInstaller.exe`.
3. Double-click the executable file to extract the installation files.

After extraction, the installer launches and the software automatically installs in the following location:

- Windows XP location: `C:\Program Files\Tektronix\TekExpress\TekExpress MHL`
- Windows 7 location: `C:\Program Files (x86)\Tektronix\TekExpress\TekExpress MHL`

### See Also

- [Minimum System Requirements \(see page 3\)](#)
- [Compatibility \(see page 3\)](#)

## Activate the License

Activate the license using the option installation wizard on the oscilloscope. Follow these steps to activate the TekExpress MHL license:

1. From the oscilloscope menu bar, click **Utilities > Option Installation**.  
The TekScope Option Installation wizard opens.
2. Instructions for using the Options Installation window to activate licenses for installed applications is provided in the oscilloscope online help. Press the **F1** key on the oscilloscope keyboard to open the Option Installation help topic. Follow the directions in the topic to activate the license.

### See Also

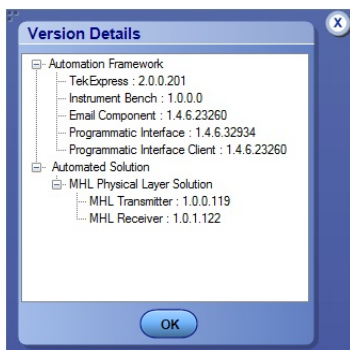
- [View Version and License Information \(see page 6\)](#)

## View Version and License Information

Use the following instructions to view application version information and version information for the application modules such as the Programmatic Interface and the Programmatic Interface Client.

To view version information:

1. From the Options menu, select **About TekExpress**.
2. Click the **View Version Details** link to check the version numbers of the installed test suites. Close the dialog box when finished.



To view license information:

1. From the oscilloscope Help menu, select **About TekScope**.  
The Options section in the dialog box displays a list of installed options, including TekExpress MHL.
2. To view the Option key, look in the Option Installation Key section. When finished, click **OK** to close the dialog box.

### See Also

- [Activate the License \(see page 5\)](#)
- [Options Menu \(see page 15\)](#)

## TekExpress MHL Application Overview

The TekExpress MHL Advanced Analysis and Compliance Solution provides tools for running Mobile High-definition Link (MHL) tests under the MHL Compliance Test Specification. It is based on TekExpress, which is the Tektronix Test Automation Framework.

The application functionality is generally divided into two parts: the MHL Transmitter Suite, and the MHL Receiver Suite. You can select the suite by clicking the **Setup** button, clicking the **DUT** tab, and then choosing from the **Suite** drop-down menu.

## Key Specifications

TekExpress MHL supports the following automated Transmitter Tests:

### MHL Clock Tests

- 3.1.1.1 — Standby Output Voltage -  $V_{OFF}$

This MHL Transmitter test measures that the MHL source output voltage is within the specified level limits when the source device is in Standby State or power off mode as specified in the CDF.

- 3.1.1.7 — Common-mode Rise and Fall Times -  $TR_{CM}$ ,  $TF_{CM}$

This test confirms that the rise time and fall time of the common-mode output signal are within the specified limits.

- 3.1.1.10 — MHL Clock Duty Cycle 24-Bit or Packed Pixel Mode

This test confirms that the MHL clock duty cycle in 24-bit or packed pixel mode does not exceed the limits allowed by the specification.

- 3.1.1.11 — MHL Clock Jitter

This test confirms that the MHL Clock output does not contain excessive jitter greater than the limit allowed by the specification.

### MHL Data Tests

- 3.1.1.2 — Single-ended High Level Voltage —  $VSE_{HIGH}$

This test confirms that the single-ended high output voltage level is within the specified limits when the DUT is in normal mode.

- 3.1.1.3 — Single-ended Low Level Voltages —  $VSE_{LOW}$

This test confirms that the single-ended low output voltage level is within the specified limits when the DUT is in normal mode.

- 3.1.1.4 — Differential Output Swing Voltage —  $VDF_{SWING}$

This test confirms that the differential output voltage swing amplitude is within the specified limits when the DUT is in normal mode.

- 3.1.1.5 — Common-mode Output Swing Voltage —  $V_{CMSWING}$

This test confirms that common-mode output voltage swing amplitude is within the specified limits when the DUT operates in normal mode.

- 3.1.1.6 — Differential Rise and Fall Times —  $TR_{DF}$ ,  $TF_{DF}$

This test confirms that the rise and fall times of the differential output signal are equal to or larger than the minimum limit.

- 3.1.1.8 — Differential Intra-Pair Skew —  $TSKEW_{DF}$

This test confirms that the timing skew in the differential signal pair is below the specified limits.

- 3.1.1.12 — MHL Data Eye Diagram

This test confirms that the MHL Data output has signal quality that meets the eye opening required by the specification.

TekExpress MHL supports the following automated Receiver Tests:

#### MHL Sink Tests

- 4.1.1.1 — Input Signal DC Voltage Level Tolerance

This test confirms that the sink device supports input signal DC voltage level allowed by the specification.

- 4.1.1.2 — Input Signal Minimum and Maximum Swing Voltage Level Tolerances

This test confirms that the sink device supports input signal DC voltage level and swing voltage allowed by the specification.

- 4.1.1.3 — Intra Pair Skew Tolerance

This test confirms that the sink device can tolerate the maximum intra-pair skew allowed by the specification.

- 4.1.1.4 — Jitter Tolerance

This test confirms that the sink device can tolerate the maximum clock and data jitter amounts allowed by the specification.

#### MHL Dongle Tests

- 5.1.1.1 — Input Signal Single-Ended Voltage Level Tolerance

This test confirms that the dongle device supports input signal single-ended voltage level allowed by the specification.

- 5.1.1.2 — Input Signal Minimum and Maximum Swing Voltages Tolerance

This test confirms that the dongle device supports input signal minimum and maximum swing voltages allowed by the specification.

- 5.1.1.3 — Intra-Pair Skew Tolerance

This test confirms that the dongle device can tolerate the maximum intra-pair skew allowed by the specification.

- 5.1.1.4 — Jitter Tolerance

This test confirms that the dongle device can tolerate the maximum clock and data jitter amounts allowed by the specification.

The following tests may be performed manually by loading the test patterns on the AWG.

MHL Sink Protocol Tests based on AWG direct synthesis patterns

---

**NOTE.** *Contact your local Tektronix representative for these manual test patterns.*

---

- 4.2.1.1 — Character Synchronization



This test confirms that the Sink DUT synchronizes if the data stream provides only minimum length Control Periods.

- 4.2.1.2 — Packet Types

This test confirms that the Sink DUT accepts all valid packet types.

- 4.2.2.1 — Video Formats

This test verifies that the sink DUT supports the video formats with no distortion.

- 4.2.2.2 — Pixel Encoding

This test verifies that the sink supports RGB pixel encoding.

- 4.2.2.3 — Video Quantization Range

This test verifies that the Sink has the correct QY and QS bits in the Video Capability Data Block, and the Sink displays with correct Video Quantization Range.

- 4.2.3.1 — Audio Test IEC 60958 / IEC61937

This test verifies that the Sink supports the required Audio formats and reproduces audio properly.

- 4.2.3.2 — Audio Clock Regeneration

This test verifies that the Sink properly regenerates audio when different Audio Clock Regeneration parameters are used.

MHL Dongle Protocol Tests based on AWG direct synthesis patterns

---

**NOTE.** *Contact your local Tektronix representative for these manual test patterns.*

---

- 5.2.1.1 — Character Synchronization

This test confirms that the Dongle DUT synchronizes if the data stream provides only minimum length Control Periods.

- 5.2.1.2 — Packet Types

This test confirms that the Dongle DUT accepts all valid packet types.

- 5.2.2.1 — Video Formats

This test verifies that the Dongle DUT supports the video formats with no distortion.

- 5.2.2.2 — Pixel Encoding

This test verifies that the Dongle supports various pixel encodings.

- 5.2.2.3 — Video Quantization Range

This test verifies that the Dongle has correct QY and QS bits in the Video Capability Data Block, and the Dongle with A/V Display displays with correct Video Quantization Range.

- 5.2.3.1 — Audio Test IEC 60958 / IEC61937

This test verifies that the Dongle converts audio properly.

- 5.2.3.2 — Audio Clock Regeneration

This test verifies that the Dongle properly regenerates audio when different Audio Clock Regeneration parameters are used.

MHL Cable Assembly Electrical Tests

---

**NOTE.** *Contact your local Tektronix representative for the MOI of cable tests.*

---

- Impedance
- Intra-Pair Skew
- Delay
- Insertion Loss
- Differential and Common Mode Conversion

## Key Features

TekExpress MHL has the following key features:

### Reliable Testing

- Conformance to MHL standards and test specifications CTS1.1/1.2 ensures reliable results.
- Accurate eye rendering and precise violation testing ensures reliable eye diagram tests.
- Sophisticated measurement techniques eliminate errors in Jitter measurements.
- Innovative Direct Synthesis method reduces test times for Sink/Dongle Jitter Tolerance test.
- DS method takes repeatability to a new level.
- Optimal setups ensure accurate results.

### Quick Testing

- Remote control of signal sources automates Sink tests and cuts test times.
- DS method of software-based impairments results in reduced test times, repeatability, and future proofing.
- Automatic Mask-fit, measurements, and Pass/Fail notification deliver quick results.
- One-button selection of multiple tests ensures faster testing.
- Mask margins and statistical information aid analysis to help find answers quickly.
- One-button MHT report generation saves time.

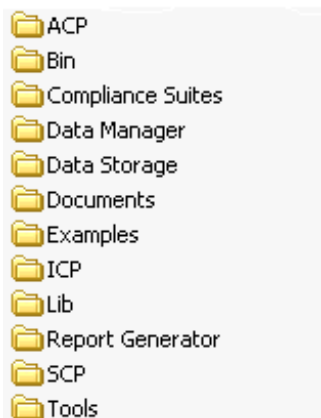
### A Complete Solution

- Wide range of tests for Source, Cable and Sink/Dongle devices enables complete validation.

- Complete compliance solution with an elaborate test fixture, signal sources and TDR.

## Application Directories and Usage

The application directory and associated files are organized as follows:



The following table lists the default directory names and their usage.

**Table 3: Application directories and usage**

Directory names	Usage
InstallDir\TekExpress\TekExpress MHL	Contains the application and associated files
TekExpress MHL\ACP	Contains instrument and MHL application-specific interface libraries
TekExpress MHL\Bin	Contains miscellaneous MHL application libraries
TekExpress MHL\Compliance Suites	Contains compliance-specific files
TekExpress MHL\Data Manager	Contains result management-specific libraries of the MHL application
TekExpress MHL\Data Storage	Contains libraries needed for storing data
TekExpress MHL\Documents	Contains the technical documentation for the MHL application
TekExpress MHL\Examples	Contains various support files
TekExpress MHL\ICP	Contains instrument and MHL application-specific interface libraries
TekExpress MHL\Lib	Contains utility files specific to the MHL application
TekExpress MHL\Report Generator	Contains Excel Active X interface Library for Report Generation
TekExpress MHL\SCP	Contains instrument and MHL application-specific interface libraries
TekExpress MHL\Tools	Contains instrument and MHL application-specific files

### See Also

- [View Test-Related Files \(MHL Transmitter\) \(see page 94\)](#)
- [View TestRelated Files \(MHL Receiver\) \(see page 101\)](#)

## File Name Extensions

The TekExpress MHL software uses the following file name extensions:

File name extension	Description
.TekX	Session files are saved in this format but the extensions may not be displayed
.seq	The test sequence file
.xls	Microsoft Excel spreadsheet file
.xml	The encrypted XML file that contains the test-specific configuration information The log file extension is also xml
.wfm	The test waveform file
.mht	Test result reports are saved in this format by default. Test reports can also be <a href="#">saved in MHTML format (see page 68)</a> .

### See Also

- [Application Directories and Usage \(see page 11\)](#)

## Start the Application

The first time you open the application after installation, you are required to enter a license key. The application also checks for a file called `Resources.xml` located in the `My TekExpress` folder. If this file is not found, instrument discovery is performed before launching TekExpress MHL. The `Resources.xml` file contains information regarding instruments available on your network.

---

**NOTE.** *When the application starts, it checks for the appropriate license key. If the valid license key is not present, the application switches to the Evaluation mode. If the application fails to detect the key, it continues to run in Evaluation mode. You are allowed 10 free trials in Evaluation mode. Each time you open the application without supplying a valid license key, one of the free trials is used.*

---

To run the MHL application, from the TekScope Analyze menu, select **Analyze > TekExpress MHL**.

While running the application, you can switch between the oscilloscope screen and MHL by clicking the desired window. To keep the application window on top, select **Keep On Top** from the [Options menu](#) (see page 15).

---

**NOTE.** *If the application was not terminated properly during the last use, a dialog box asks to recall the previously unsaved session.*

---


## Exit the Application

Use the following method to exit the application:

---



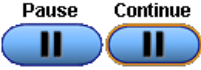
**NOTE.** *Using other methods to exit the application results in abnormal termination of the application.*

---

1. Click  on the application title bar.
2. Do one of the following:
  - A message box appears asking if you really want to exit TekExpress. To exit, click **Yes**. Otherwise, click **No**.
  - If you have an unsaved session or test setup open, you will be asked if you want to save it before exiting. To save it, click **Yes**. If you do not wish to save, click **No**. To remain in the session, click **Cancel**.

## Application Controls

Table 4: Application controls descriptions

Item	Description
<a href="#">Options menu (see page 15)</a>	Opens the Options menu for access to global controls
<a href="#">Panel (see page 18)</a>	Visual frame with a set of related options. Some panels are further divided into tabs and other sections.
Command buttons	Button that initiates an immediate action such as the Start, Stop, Pause, and Clear command buttons
Start button	 <p>Use the Start button to continuously acquire and accumulate measurements. If prior acquired measurements have not been cleared, the new measurements are added to the existing set.</p>
Stop button	 <p>Use the Stop button to abort a test in progress.</p>
Pause \ Continue button	 <p>Use the Pause button to interrupt the current acquisition. When a test is paused, the button name changes to Continue.</p>

**Table 4: Application controls descriptions (cont.)**

Item	Description
Clear button	<div data-bbox="885 294 974 357" data-label="Image"> </div> <p data-bbox="885 367 1461 598">Available only on the <a href="#">Results panel (see page 36)</a> Use the Clear button to clear all existing measurement results. Note that adding or deleting a measurement, or changing a configuration parameter of an existing measurement also clears measurements. This is to prevent the accumulation of measurement statistics or sets of statistics that are not coherent.</p>
Application window move icon	<div data-bbox="885 609 1063 766" data-label="Image"> </div> <p data-bbox="885 777 1461 873">Place the cursor over the three-dot pattern in the upper left corner of the application window. When the cursor changes to a hand, drag the window to the desired location.</p>

## Options Menu

The Options menu is located in the upper right corner of the application.

The [Options menu \(see page 16\)](#) has the following selections:

Menu	Function
Default Test Setup	Opens an untitled test setup with defaults selected
Open Test Setup	Opens a saved test setup
Save Test Setup	Saves the current test setup selections
Save Test Setup As	Creates a new test setup based on an existing one
Open Recent	Displays a menu of recently opened test setups to select from
<a href="#">Instrument Control Settings (see page 18)</a>	Shows the list of instruments connected to the test setup and allows you to locate and refresh connections to connected instruments
Keep On Top	Keeps the TekExpress MHL application on top of other open windows on the desktop
<a href="#">Email Settings (see page 17)</a>	Use to configure email options for test run and results notifications

Menu	Function
Help	Displays TekExpress Help
About TekExpress	<ul style="list-style-type: none"> <li data-bbox="753 279 1382 338">■ Displays application details such as software name, version number, and copyright</li> <li data-bbox="753 359 1382 417">■ Provides access to <a href="#">license information (see page 6)</a> for your MHL installation</li> <li data-bbox="753 438 1187 468">■ Provides a link to the Tektronix Web site</li> </ul>



**See Also**

- [Application Controls \(see page 14\)](#)



## Email Settings

Use the Email Settings utility to [configure email notifications \(see page 66\)](#) if you want the application to notify you when a tests completes or produces an error. Select the type of test run information to be included in the notification, such as test reports and test logs, the email message format, and the email message size limit.

**Email Settings**

Recipient e-mail Address(es)

*Note: Separate Email addresses with a comma*

Sender's Address

**Email Attachments**

Reports

ScoreCard

Analysis Screenshot

Status Log

Last 20 Lines  Full Log

**Server Configuration**

SMTP Server  SMTP Port

Login

Password

Host Name

**Email Configuration**

Email Format  HTML  Plain Text

Number of Attempts to Send

Max Email Size (MB)  Timeout

Email Test Results When complete or on error

Test Email Apply Close

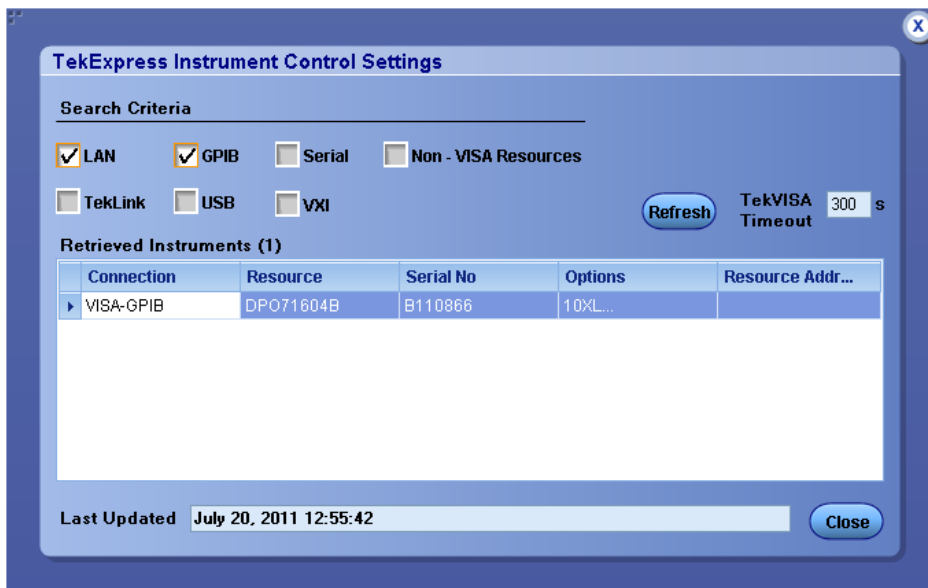
### See Also

- [Options Menu \(see page 15\)](#)

## Instrument Control Settings

The Instrument Control Settings dialog box shows the list of resources found on different connections. It serves two purposes:

- Discovers the connected instruments
- Confirms the instrument connection setup



Use the Instrument Control Settings feature to [search for and view connected instruments \(see page 51\)](#) and view instrument connection details. Connected instruments displayed here can be selected for use in the Global Settings section of the Setup panel’s Configuration section.

### See Also

- [Options Menu \(see page 15\)](#)

## About Panels

TekExpress MHL has four main panels whose options differ depending upon whether the MHL Transmitter or MHL Receiver Suite has been selected. (The suite setting can be changed by clicking on the Setup panel, clicking the DUT tab, and then selecting a choice from the Suite drop-down menu.)

**Table 5: Application panels**

Panel name	Purpose
<a href="#">Setup Panel: MHL Transmitter (see page 19)</a>	The Setup panel allows you to configure the test setup. Use this panel to: <ul style="list-style-type: none"> <li>■ Select the DUT, choose the MHL Suite (Transmitter or Receiver), and enter the device profile settings.</li> </ul>
<a href="#">Setup Panel: MHL Receiver (see page 27)</a>	<ul style="list-style-type: none"> <li>■ Select the desired tests.</li> <li>■ Select the acquisitions parameters for selected tests (Transmitter only).</li> <li>■ Configure the selected tests.</li> </ul>
<a href="#">Status Panel (see page 33)</a>	View the status of the selected tests, and view test logs.
<a href="#">Results Panel: MHL Transmitter (see page 36)</a>	View a summary of the test results, and select viewing preferences.
<a href="#">Results Panel: MHL Receiver (see page 37)</a>	
<a href="#">Reports Panel: MHL Transmitter (see page 37)</a>	Browse for, name, and save reports, and select viewing options.
<a href="#">Reports Panel: MHL Receiver (see page 40)</a>	

**See Also**

- [Application Controls \(see page 14\)](#)

## Setup Panel: MHL Transmitter Tests

The Setup panel guides you through the MHL Transmitter test setup process using five tabs. Options selected in a preceding tab affect options available in the next tab down. You can switch between tabs in any order if you need to modify test parameters. When you finish making selections in a tab and move to the next tab, the number in the tab title changes to a check mark. If you make changes on a tab that significantly affect a prior tab, the check mark of the affected tab is replaced with its number, indicating that you should check the settings on that tab.

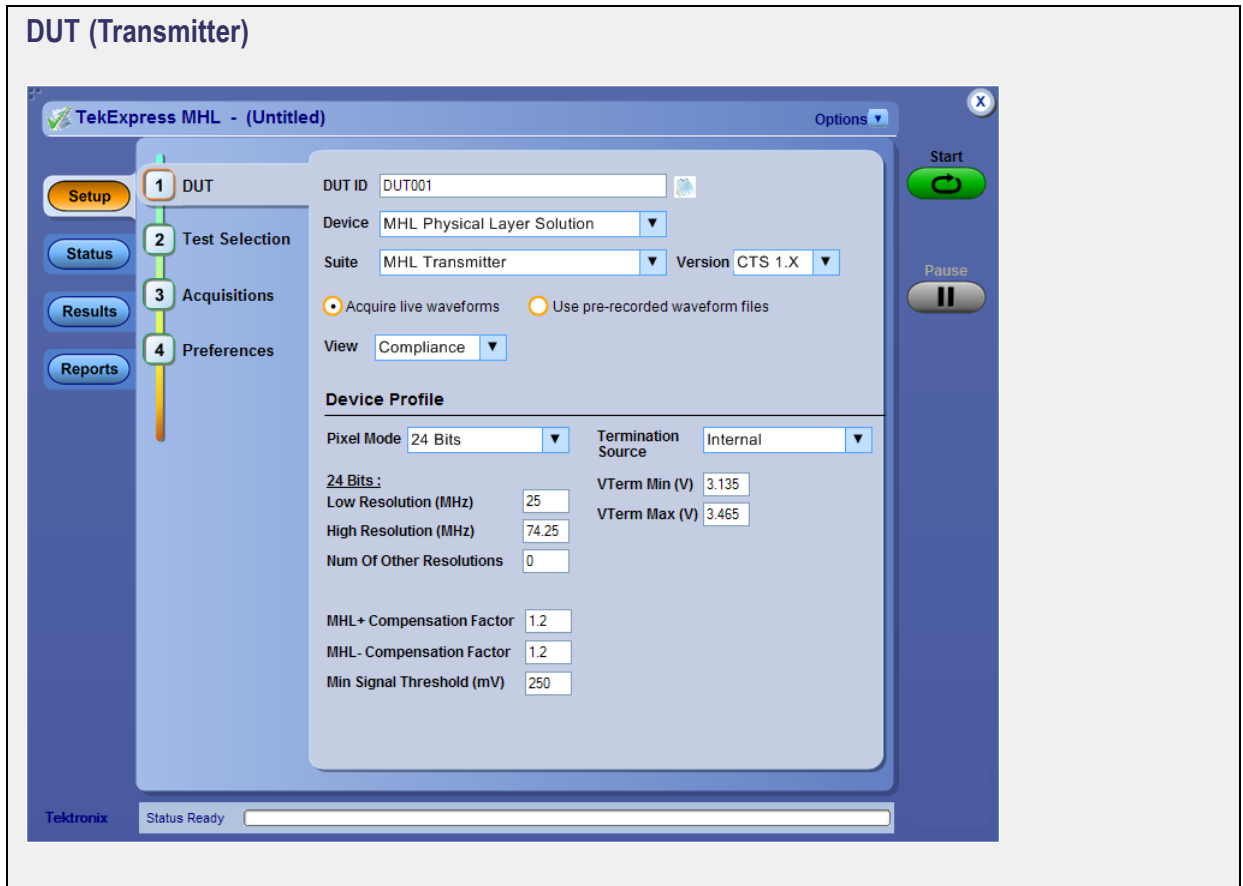
- 1 – [DUT \(see page 21\)](#): On this tab, you can select the DUT, the Device, the applications Suite, the Version and the Device Profile settings. For the Suite option, choose **MHL Transmitter**. Select the type of waveform to use — either Acquire live waveforms, or Use pre-recorded file. Select the view — either Compliance (default) or Advanced. Note that if you choose the Advanced view, an additional **Configuration** button will appear under the Acquisitions button. If you choose Compliance View,

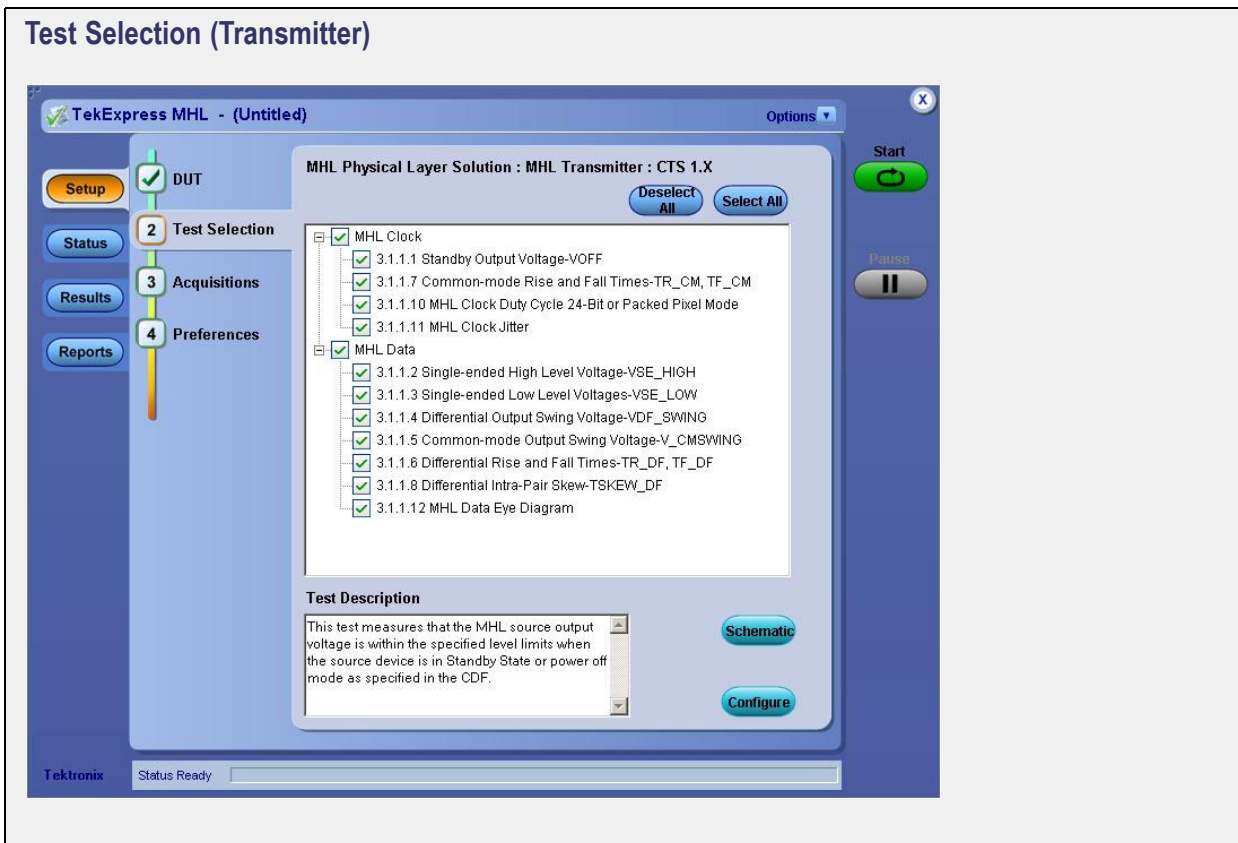
you can select and view configuration settings using the Test Selection tab (described below). For information on the Device Profile settings, [click here \(see page 53\)](#).

- 2 – [Test Selection \(see page 22\)](#): Here, you can select the Transmitter tests individually or by group, view a short description of a selected test, and view a schematic showing appropriate device connections. If you have chosen Compliance View in the DUT tab above, then on this tab you will see a **Configure** button below the Schematic button, which you can click to configure settings for the selected test.
- 3 – [Acquisitions \(see page 23\)](#) (displays only when the MHL Transmitter suite has been chosen using the DUT tab): View and refresh configurations for the attached probes, view a list of displayed signals and their sources, and view the Acquisitions table, which lists selected tests and their associated acquisition parameters.
- 4 – [Configuration \(see page 24\)](#) (displays only when Advanced View is selected in the DUT tab): Here, you can select either **Compliance Mode** or **User Defined Mode**, view Global Settings, and click the [Measurements \(see page 25\)](#) tab to select measurement settings. You can also click the [Limits Editor \(see page 25\)](#) button and view or edit parameter limits for the selected test.
- 5 – [Preferences \(see page 26\)](#): Here, you may choose for an email to be sent to you upon test completion.

### See Also

- [Configure Tests \(Transmitter\) \(see page 63\)](#)
- [About Panels \(see page 18\)](#)





### Acquisitions Tab (Transmitter)

TekExpress MHL - (Untitled)
Options ▾
✕

**Setup**

Status

Results

Reports

✓ DUT

✓ Test Selection

3 Acquisitions

4 Preferences

MHL Physical Layer Solution : MHL Transmitter : CTS 1.X

MHL Signal Name	Source
MHL+ / Differential	CH1
MHL-	CH2
Common mode Clock	CH3

[View Probes](#)

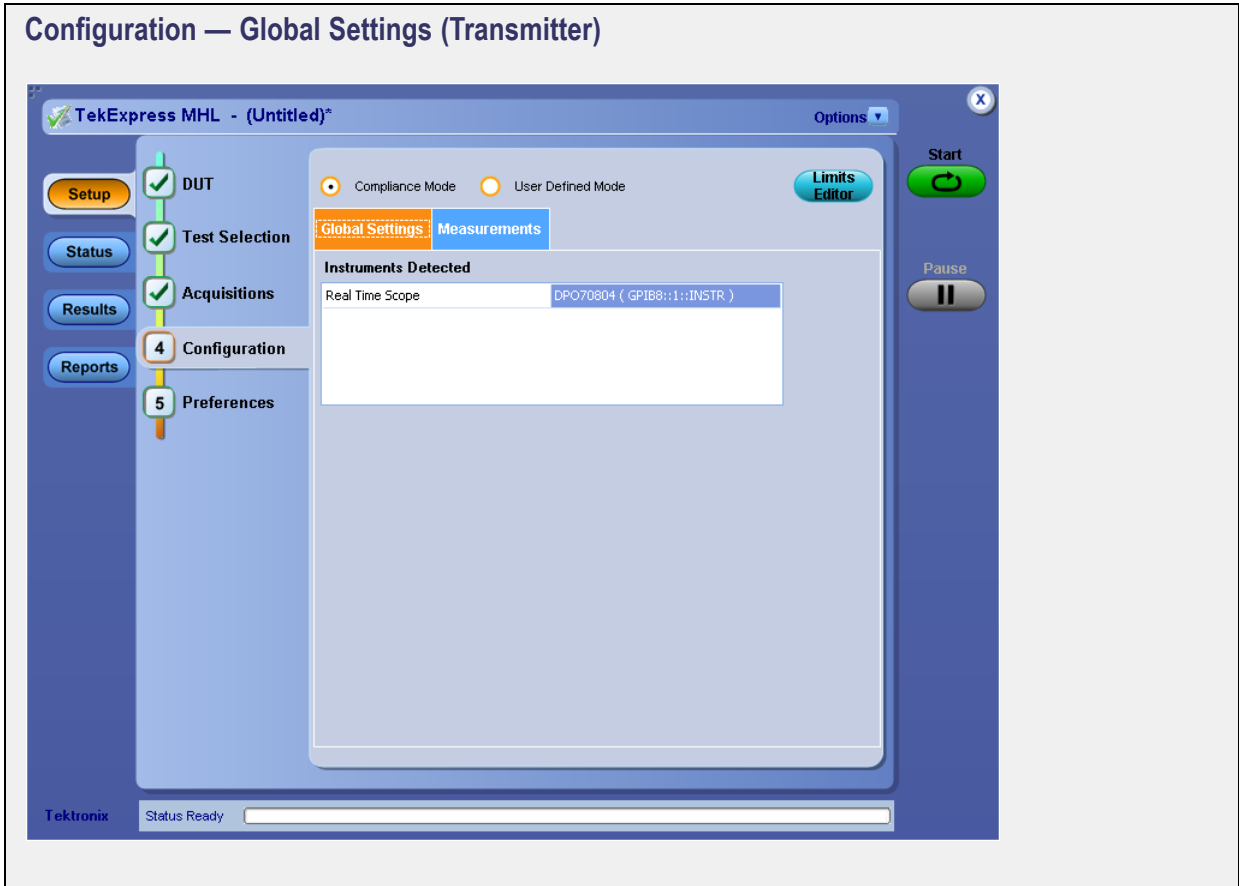
Test Name	Acquisition	Record
3.1.1.12 MHL Data Eye Diagram	Short Record-length f: 12.5	
3.1.1.11 MHL Clock Jitter	Short Record-length f: 12.5	
3.1.1.5 Common-mode Output Swing Voltage	Short Record-length f: 10	
3.1.1.4 Differential Output Swing Voltage-VDF	Short Record-length f: 10	
3.1.1.7 Common-mode Rise and Fall Times-	Short Record-length f: 10	
3.1.1.10 MHL Clock Duty Cycle 24-Bit or Pack	Short Record-length f: 10	
3.1.1.8 Differential Intra-Pair Skew-TSKEW_D	Short Record-length f: 10	
3.1.1.6 Differential Rise and Fall Times-TR_C	Short Record-length f: 10	

Show Acquire Parameters  
 Acquire Step By Step

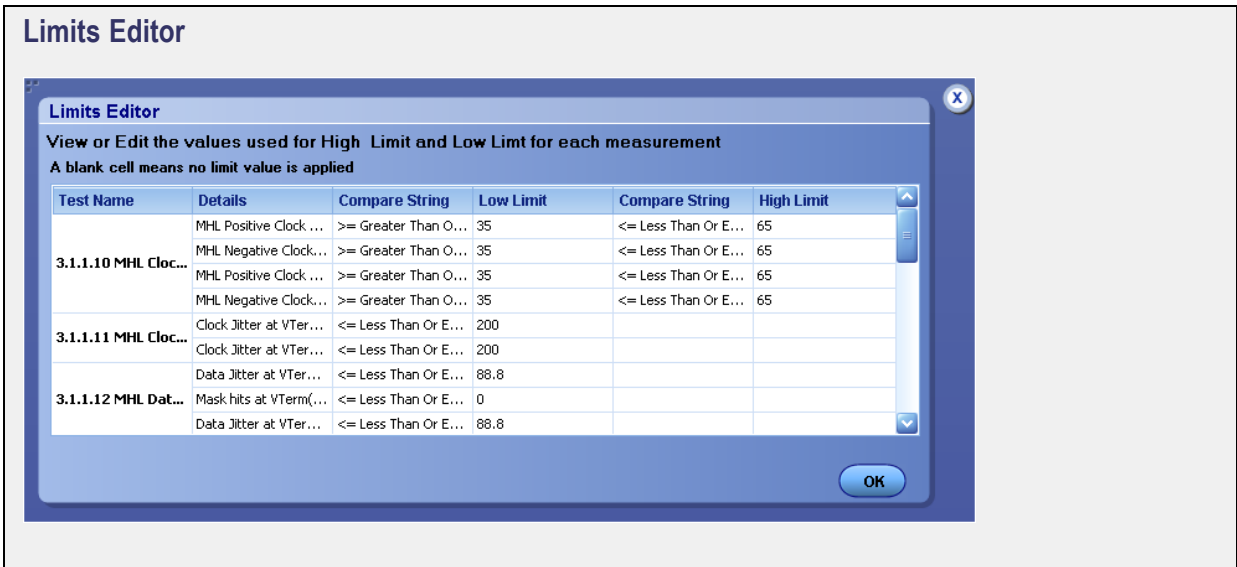
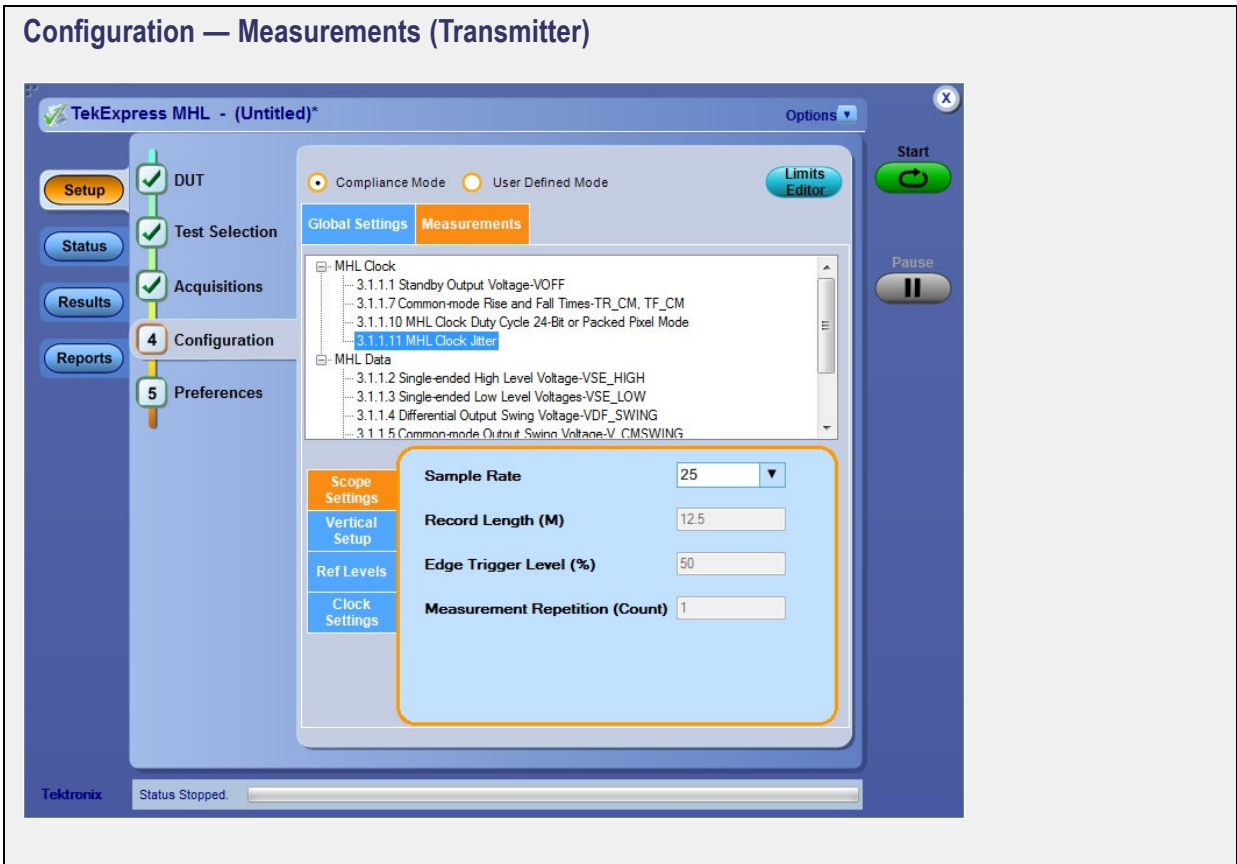
Start

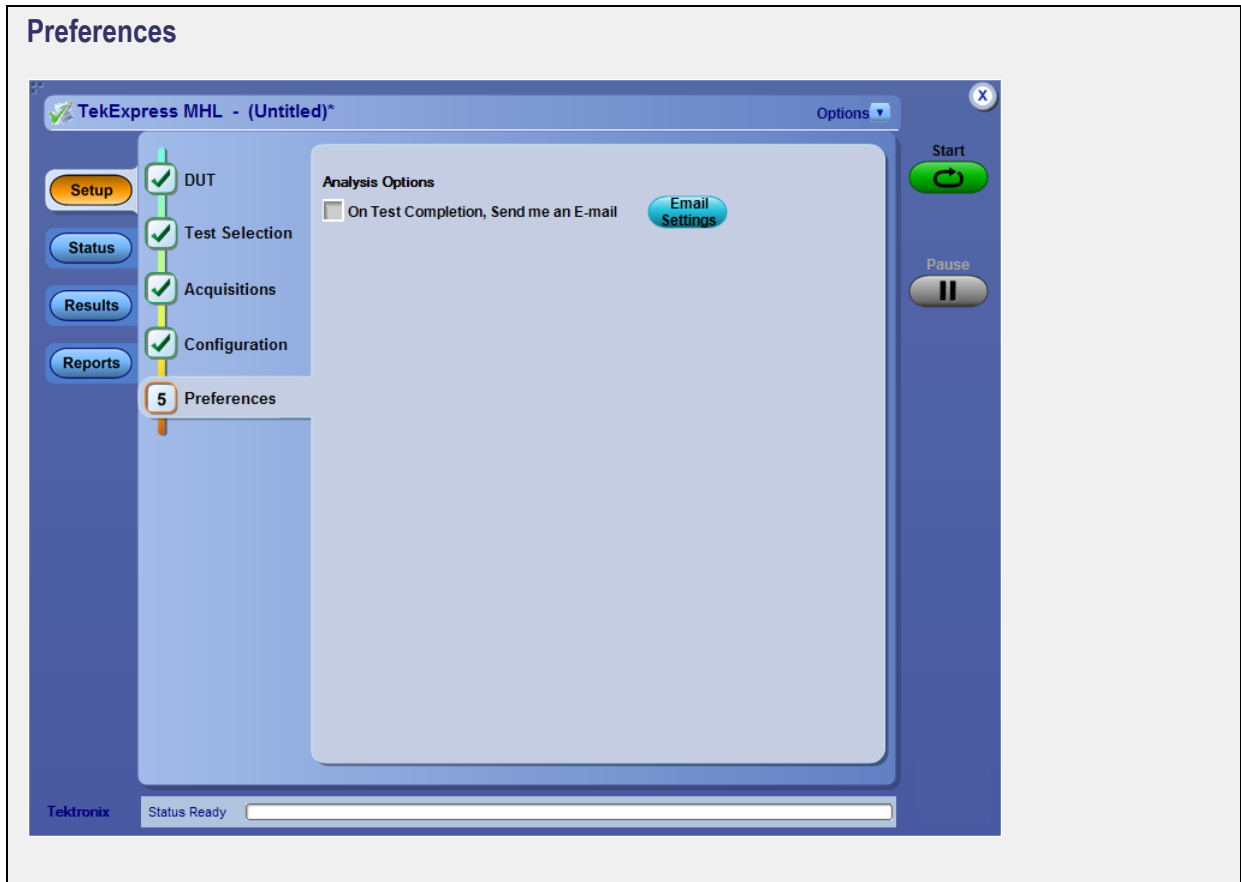
Pause

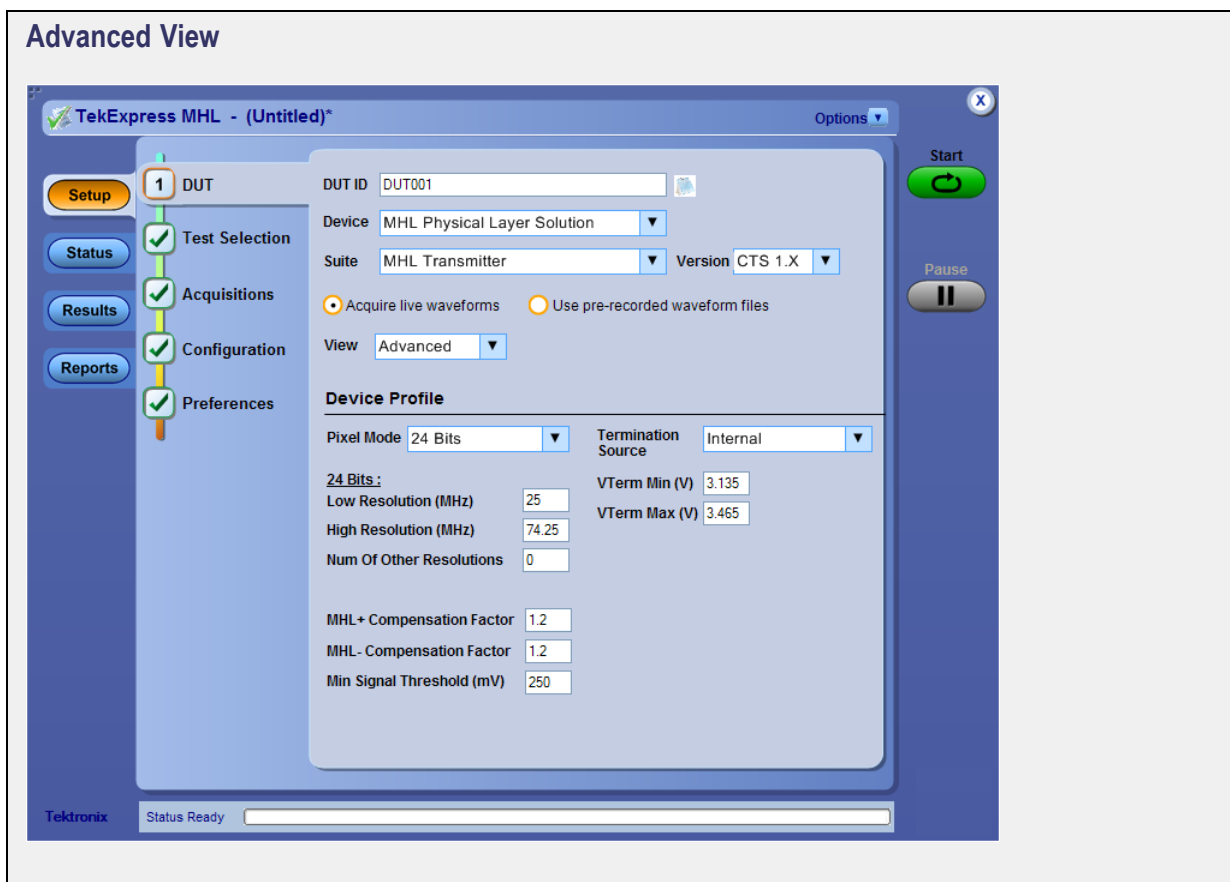
Tektronix
Status Ready











## Setup Panel: MHL Receiver Tests

The Setup panel guides you through the MHL Receiver test setup process. Options selected in a preceding tab affect options available in the next tab down. However, you can switch between the tabs in any order if you need to modify test parameters. When you finish making selections in a tab and move to the next tab, the number in the tab title changes to a check mark. If you make changes on a tab that significantly affect a prior tab, the check mark of the affected tab is replaced with its number, indicating that you should check the settings on that tab.

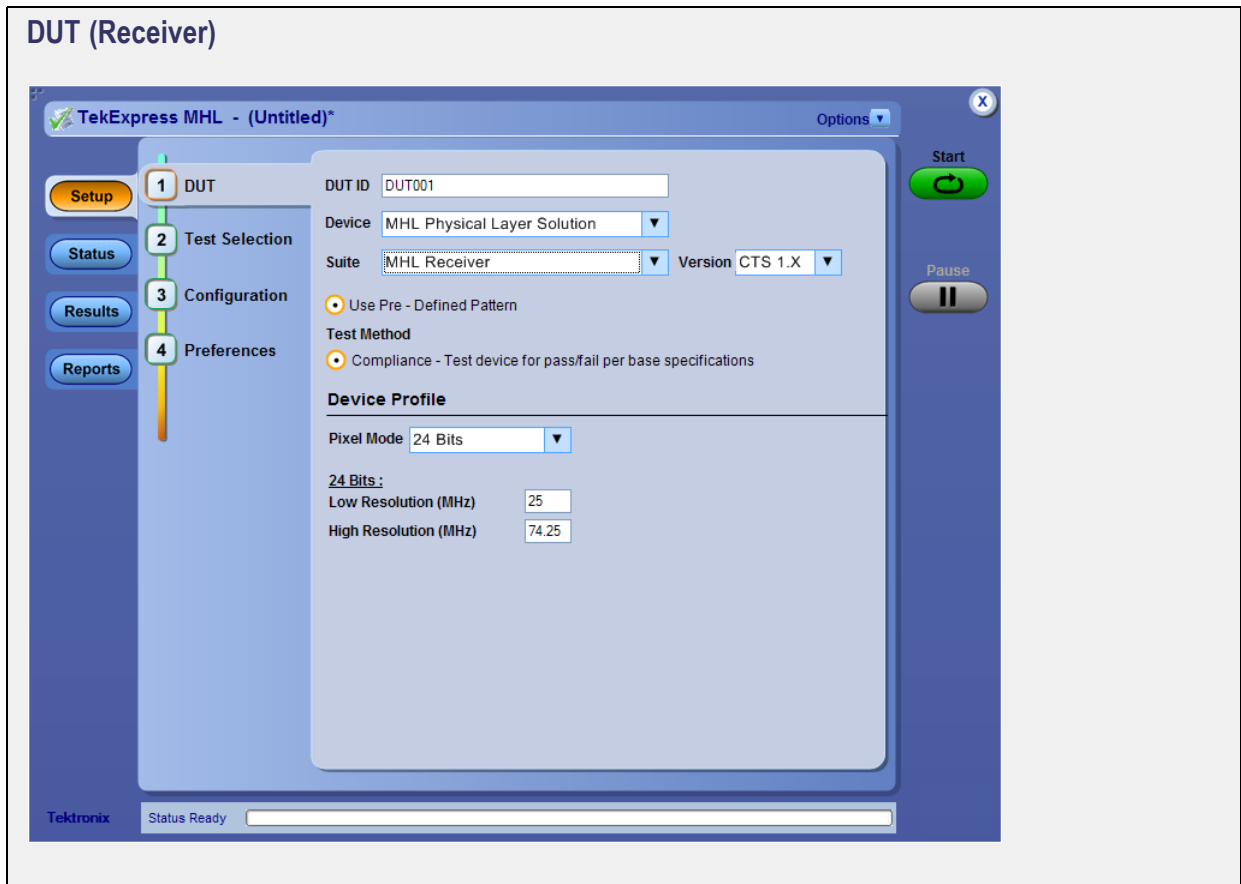
- 1 – [DUT \(see page 28\)](#): On this tab, you can select the DUT, the Device, the applications Suite, the Version, the Test Method and the Device Profile settings. For the Suite option, choose **MHL Receiver**.
- 2 – [Test Selection \(see page 29\)](#): Here you can select tests individually or by group, view a short description of a selected test, and click the **Schematic** button to view a schematic drawing showing appropriate device connections.
- 3 – [Configuration \(see page 30\)](#): Here you can view Global Settings, and click the [Measurements \(see page 31\)](#) tab to select measurement settings. You can click the [Limits Editor \(see page 25\)](#)

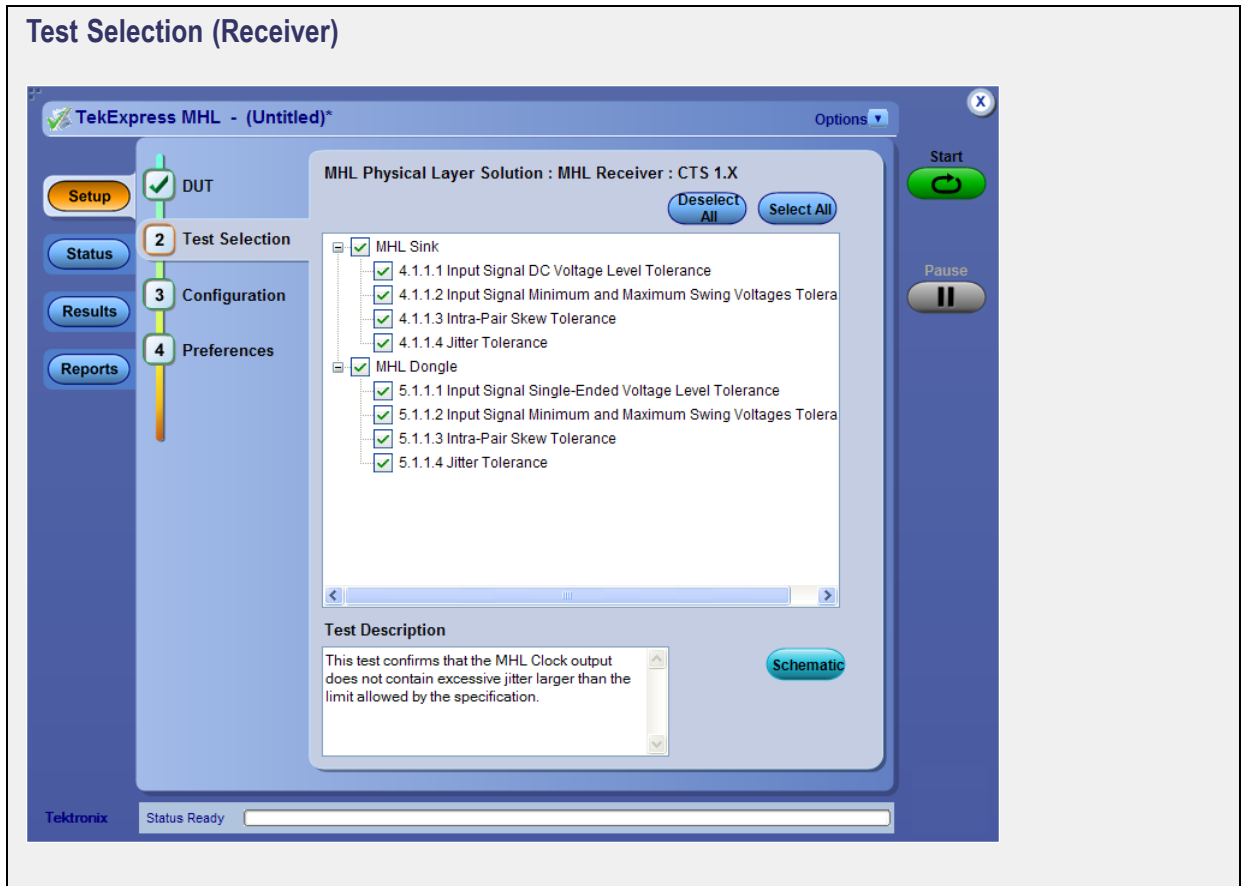
button to view or edit parameter limits for the selected test. You can also view [Scope Settings \(see page 33\)](#) and [AWG \(see page 33\)](#) Settings.

- 5 – [Preferences \(see page 32\)](#): You may choose for an email to be sent to you upon test completion.

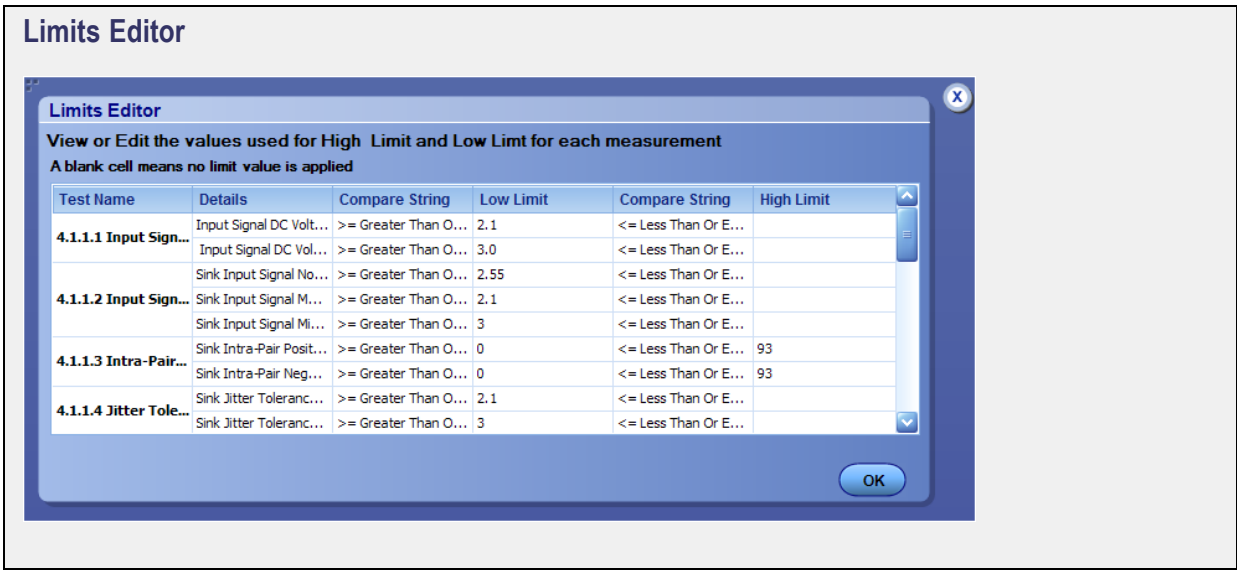
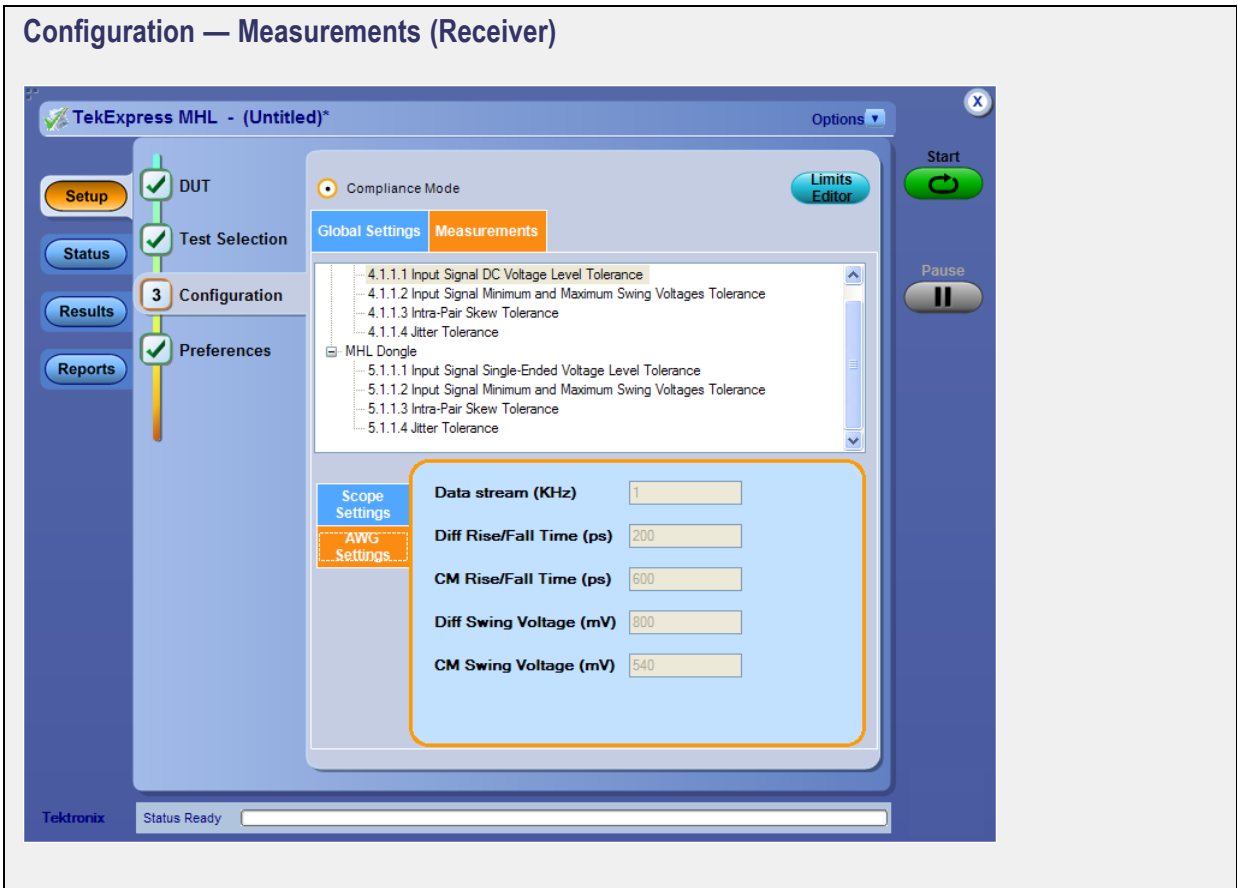
**See Also**

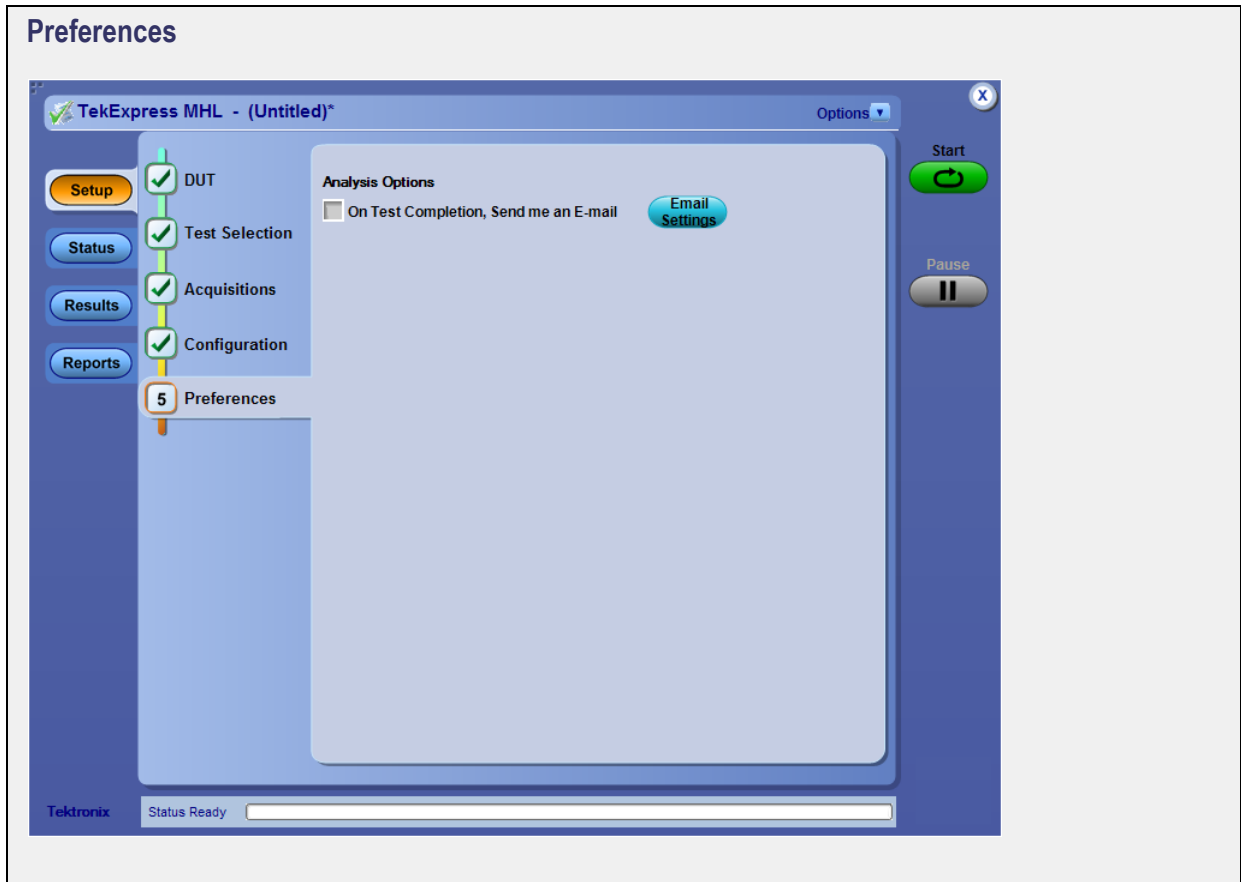
- [About Panels \(see page 18\)](#)



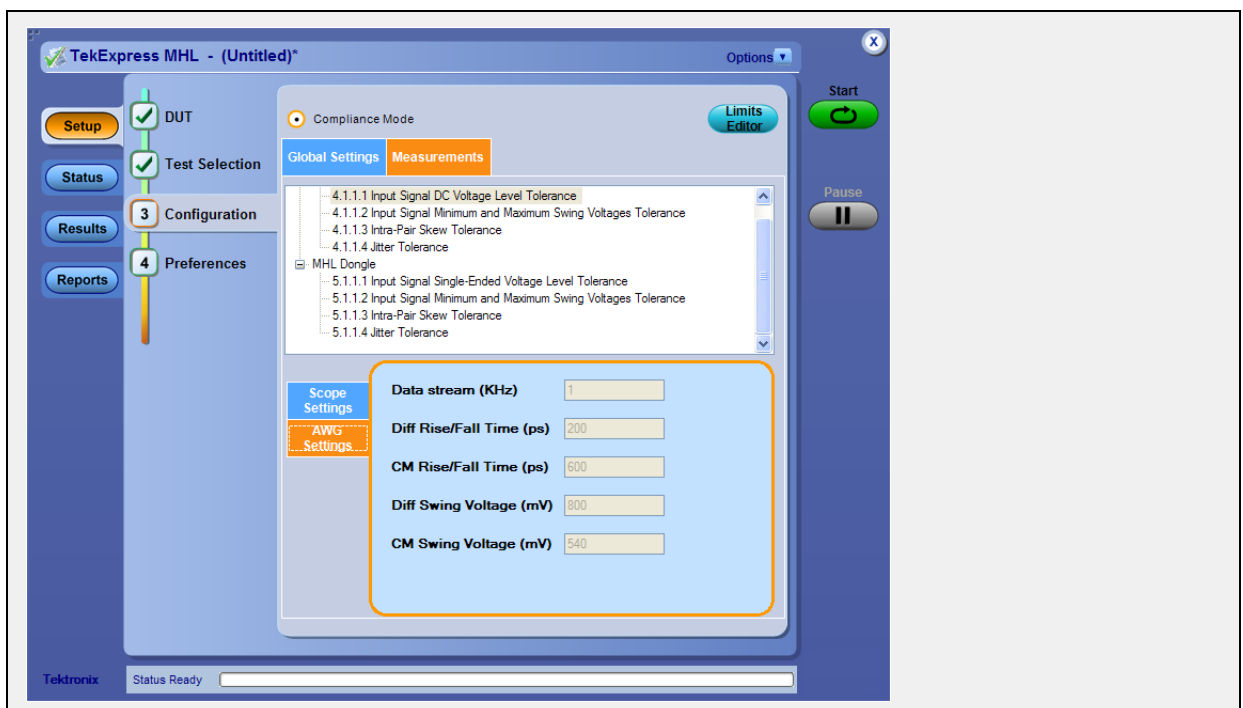
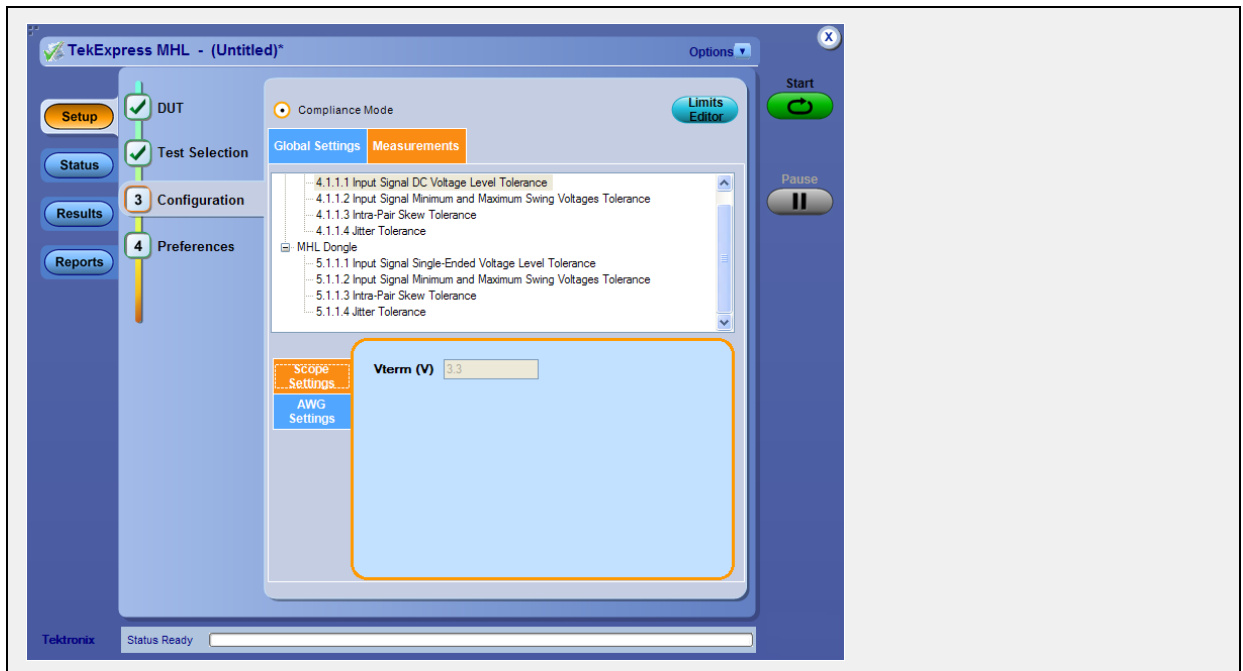








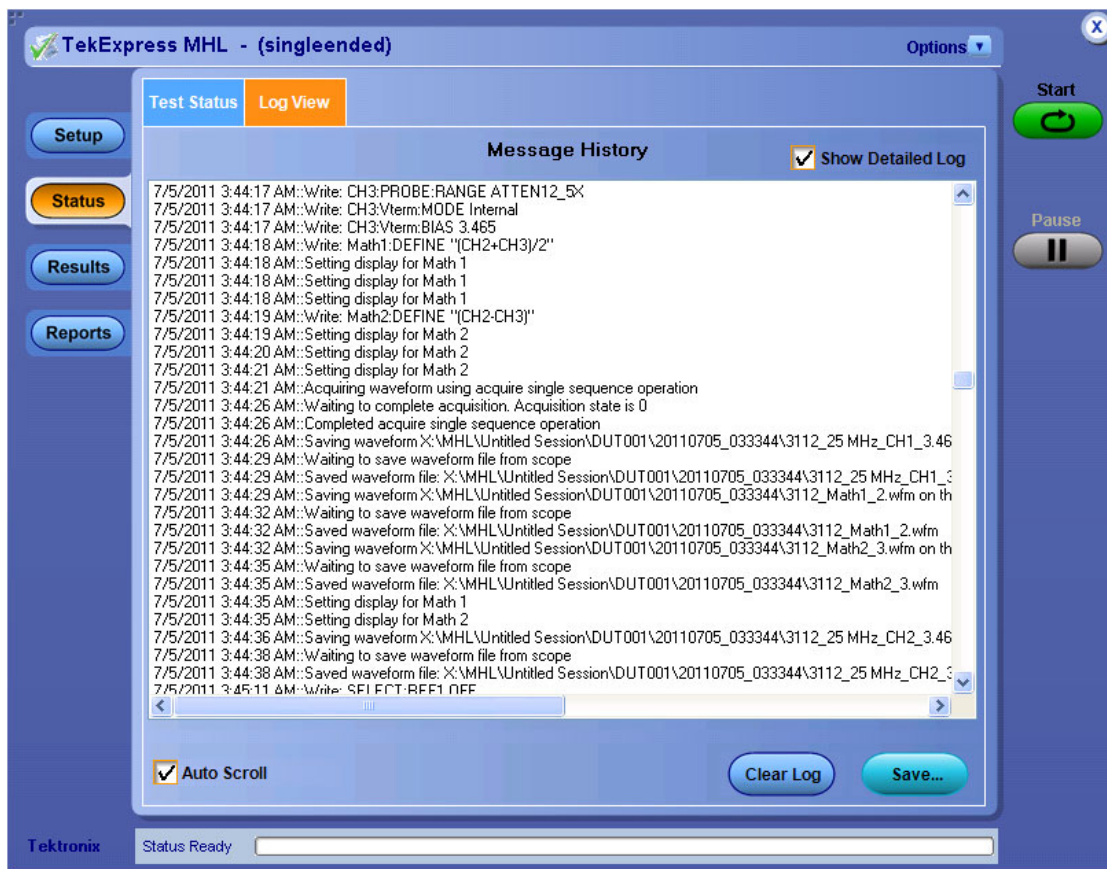




## Status Panel

The Status panel has two tabs:

- [Test Status tab \(see page 35\)](#): Displays the status of the tests as they are being executed.
- Log View tab (shown below): Displays a view of the test log.



## See Also

- [About Panels \(see page 18\)](#)

### Test Status View

TekExpress MHL - (singleended)\* Options

Test Status Log View

Setup Status Results Reports

Test Name	Acquisition	Acquire Status	Analysis Status
3.1.1.8 Differential Intra-...	Short Record-length for MH...	Pre-Recorded Mode	In progress
3.1.1.2 Single-ended Hig...	Short Record-length for MH...	Pre-Recorded Mode	Completed

Stop

Pause

Tektronix Status Running...

## Results Panel: MHL Transmitter Tests

When a test completes running, the application switches to the Results panel to display a summary of MHL Transmitter test results. You can set viewing preferences for this panel from the Preferences menu in the upper right corner. Viewing preferences include showing whether a test has passed or failed, summary results or detailed results, and enabling wordwrap. For information on using this panel, see [View Test Results \(see page 91\)](#).

**TekExpress MHL - (singleended)** Options

Overall Test Result : ✔ Pass Preferences

Description	Pass/F...	Details	TBit	VTerm	Value	Margin
3.1.1.2 Single-ended High Level Voltage-VSE_HIGH	<span style="color: green;">✔</span> Pass	Single-ended Positive High Level Voltage at VTerm1	1322.77 ps	3.135 V	2868.6	273.6, 276.4
High Limit	<span style="color: green;">✔</span> Pass				3145 mV	
Low Limit	<span style="color: green;">✔</span> Pass				2595 mV	
3.1.1.2 Single-ended High Level Voltage-VSE_HIGH	<span style="color: green;">✔</span> Pass	Single-ended Negative High Level Voltage at	1322.77 ps	3.135 V	2847	252, 298
High Limit	<span style="color: green;">✔</span> Pass				3145 mV	
Low Limit	<span style="color: green;">✔</span> Pass				2595 mV	
3.1.1.2 Single-ended High Level Voltage-VSE_HIGH	<span style="color: green;">✔</span> Pass	Single-ended Positive High Level Voltage at VTerm2	1322.77 ps	3.465 V	3177	252, 298
3.1.1.2 Single-ended High Level Voltage-VSE_HIGH	<span style="color: green;">✔</span> Pass	Single-ended Negative High Level Voltage at	1322.77 ps	3.465 V	3148.2	223.2, 326.8
3.1.1.8 Differential Intra-Pair Skew-TSKEW_DF	<span style="color: green;">✔</span> Pass	Differential Intra-Pair Skew at VTerm1	1322.76 ps	3.135 V	11.4684	38.5316

Tektronix Status Ready

### See Also

- [About Panels \(see page 18\)](#)

## Results Panel: MHL Receiver Tests

When a test completes running, the application switches to the Results panel to display a summary of test results. You can set viewing preferences for this panel from the Preferences menu in the upper right corner. Viewing preferences include showing whether a test has passed or failed, summary results or detailed results, and enabling wordwrap. For information on using this panel, see [View Test Results \(see page 91\)](#).



See Also

- [About Panels \(see page 18\)](#)

## Reports Panel: MHL Transmitter Tests

Use the Reports panel to browse for, name, and save reports, and to select report viewing options.

Change the report name or location

In the **Report Name** field, type over the current folder path and name and then save the test setup. Be sure to include the entire folder path, the file name, and the file type. For example: C:\Documents and Settings\your user name\My Documents\My TekExpress\MHL\DUT001\_group1.mht.

---

**NOTE.** You cannot change the file location using the **Browse** button.

---

If you check the **View Report After Generating** check box prior to running a test (it is normally selected by default), then after the analysis, a report is automatically generated and displayed in your Web browser. If you unchecked this option before running a test but you now want to view the report, then when analysis is complete, click the **Browse** button at the top of the Reports panel and navigate to the report file.

For information on setting up reports, see [Select Report Options \(see page 68\)](#). For information on viewing reports, see [View a Report \(see page 91\)](#).

**Tektronix**  
Enabling Innovation

**TekExpress MHL**  
**MHL Transmitter Test Report**

DUT ID : PI\_Functional  
Date/Time : March 07, 2012 / 22:09:21

Device Type : MHL Physical Layer Solution  
Execution Time : 12 Min

MOI / CTS / UTD / Spec Version : CTS 1.1  
Overall Compliance Mode : Yes  
Overall Test Result : PASS

Scope Model : DSAT2004C  
Probe1 Model : "P7313SMA"  
Probe2 Model : "P7313SMA"  
Probe3 Model : "P7240"

Scope Serial Number : B130222  
Probe1 Serial Number : "B020797"  
Probe2 Serial Number : "B020376"  
Probe3 Serial Number : "B018430"

Scope F/W Version : 6.2.0 DEV/BUILD 26  
SVC Factory Calibration : PASS P  
TekExpress Version : TekExpress MHL 1.0.1.148, Framework 2.0.0.204  
DPOJET Version : "3.5.0 Build 17"

Test Name	Measurement Details	Tbit	VTerm	Low Limit	Measured value	High Limit	Margin	Units	Test Result	Compliance Mode	Execution Time	
3.1.1.2 Single-ended High Level Voltage-VSE_HIGH	Single-ended Positive High Level Voltage at VTerm(Min)	449.38 ps	3.135 V	>= 2595	2695.9447	<= 3145	100.9447, 449.0553	mV	Pass	Yes	2 Min	1] Res VTerm Popula Negati Count: 2] Res VTerm Popula Negati Count:
	Single-ended Negative High Level Voltage at VTerm(Min)	449.38 ps	3.135 V	>= 2595	2681.2553	<= 3145	88.2553, 483.7447	mV				
	Single-ended Positive High Level Voltage at VTerm(Max)	449.38 ps	3.465 V	>= 2925	3025.6191	<= 3475	100.6191, 449.3809	mV				
	Single-ended Negative High Level Voltage at VTerm(Max)	449.38 ps	3.465 V	>= 2925	3011.1106	<= 3475	88.1106, 483.8894	mV				
3.1.1.3 Single-ended Low Level Voltages-VSE_LOW	Single-ended Positive Low Level Voltage at VTerm(Min)	449.39 ps	3.135 V	>= 1375	1839.2533	<= 2435	484.2533, 595.7487	mV	Pass	Yes	3 Min	1] Res VTerm Popula Negati 1001 2] Res VTerm Popula Negati 1001
	Single-ended Negative Low Level Voltage at VTerm(Min)	449.39 ps	3.135 V	>= 1375	1874.7830	<= 2435	499.783, 580.217	mV				
	Single-ended Positive Low Level Voltage at VTerm(Max)	449.39 ps	3.465 V	>= 1705	2183.1830	<= 2765	478.183, 581.817	mV				
	Single-ended Negative Low Level Voltage at VTerm(Max)	449.39 ps	3.465 V	>= 1705	2190.7810	<= 2765	485.781, 574.219	mV				
3.1.1.8 Differential Intra-Pair Skew-TSKEW_DF	Differential Intra-Pair Skew at Rising Edge at VTerm(Min)	449.39 ps	3.135 V	-	11.1818	<= 50	38.8182	ps	Pass	Yes	6 Min	1] Res VTerm Popula 2] Res VTerm Popula
	Differential Intra-Pair Skew at Falling Edge at VTerm(Min)	449.39 ps	3.135 V	-	11.8735	<= 50	38.1265	ps				
	Differential Intra-Pair Skew at Rising Edge at VTerm(Max)	449.39 ps	3.465 V	-	11.8397	<= 50	38.1603	ps				
	Differential Intra-Pair Skew at Falling Edge at VTerm(Max)	449.39 ps	3.465 V	-	7.9434	<= 50	42.0566	ps				

Single-ended High Level Voltage at VTerm(Min), TBit 449.38 ps

Jitter and Eye Diagram Analysis Tools

TekExpress MHL Transmitter

**See Also**

- [About Panels \(see page 18\)](#)

## Reports Panel: MHL Receiver Tests

Use the Reports panel to browse for, name, and save reports, and to select report viewing options.

The **Report Name** field displays the default name and location where the report will be saved when generated.

Changing the report name or location

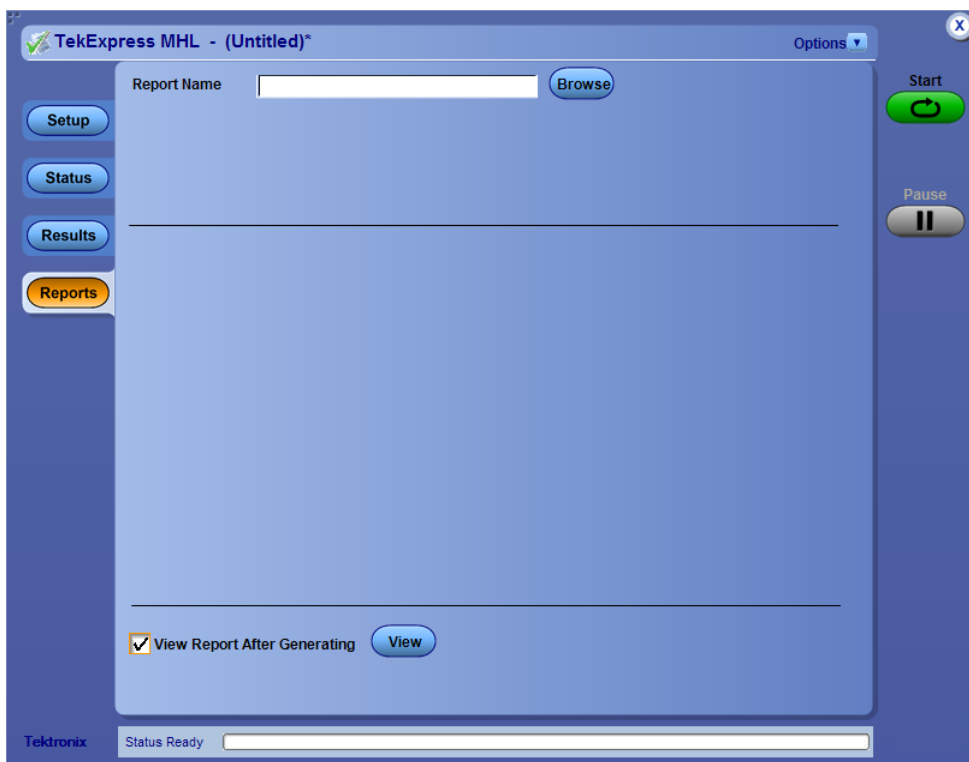
In the **Report Name** field, type over the current folder path and name and then save the test setup. Be sure to include the entire folder path, the file name, and the file type. For example: C:\Documents and Settings\your user name\My Documents\My TekExpress\MHL\DUT001\_group1.mht.

---

**NOTE.** You cannot change the file location by using the **Browse** button.

---

[Viewing a report \(see page 100\)](#)



### See Also

- [About Panels \(see page 18\)](#)



## About Test Setups

TekExpress MHL opens with the default test setup selected. Any time you want to create a new test setup, you can select the default test setup to clear the previous test setup selections and take the settings back to their defaults.

You can run a test before or after saving a setup. When you save a setup, the selected oscilloscope, general parameters, acquisition parameters, measurement limits, prerecorded waveform files (if applicable), test, and other configuration settings are all saved under the setup name. You can open a setup and click **Start** without having to do any other setting up except ensuring that the oscilloscope is detected and ready. For details, see [Before You Click Start \(MHL Transmitter\) \(see page 87\)](#) or [Before You Click Start \(MHL Receiver\) \(see page 95\)](#).

### See Also

- [Save a Test Setup \(see page 41\)](#)
- [Recall a Saved Test Setup \(see page 42\)](#)
- [Create a New Test Setup Based on an Existing One \(see page 42\)](#)
- [Delete a Test Setup \(see page 43\)](#)

## Save a Test Setup

Save a test setup before or after running a test using the parameters you want saved. You can create a new setup from any setup you have open or from the default setup. When you select the default test setup, all parameters are returned to their defaults. The following instructions start from the default setup:

1. From the **Options** menu, select **Default Test Setup**.
2. Select the desired options in the Setup panel.
3. Select the desired [report options \(see page 68\)](#).
4. If desired, run the test to ensure that it captures the information you want. If it does not, edit the parameters.
5. From the **Options** menu, select **Save Test Setup**.
6. Name the test and then click **Save**.

### See Also

- [About Test Setups \(see page 41\)](#)

## Recall a Saved Test Setup

These instructions are for recalling saved test setups.

1. From the **Options** menu, select **Open Test Setup**.
2. In the **File Open** dialog box, select the desired setup from the list and then click **Open**.

### See Also

- [About Test Setups \(see page 41\)](#)
- [Create a New Test Setup Based on an Existing One \(see page 42\)](#)

## Create a New Test Setup Based on an Existing One

Use this method to create a variation on a test setup without having to create the setup from the beginning.

1. From the **Options** menu, select **Open Test Setup**.
2. In the **File Open** dialog box, select the desired setup from the list and then click **Open**.
3. Modify the parameters as desired.
4. From the **Options** menu, select **Save Test Setup As**.
5. In the **File Save As** dialog box, enter a test setup name and then click **Save**.

### See Also

- [About Test Setups \(see page 41\)](#)

## Delete a Test Setup

If you no longer need a test setup, delete it from the test setup list in the Options menu using these instructions.

Each saved test setup consists of two main parts, the test setup file and the test setup folder, both named for the test session.

1. Make sure the setup you want to delete is not currently selected in TekExpress MHL.
2. Navigate to the MHL folder where test setup files are stored. For example, X:\MHL\`(test setup name)`.
3. Locate the test setup file and then delete it. This removes the setup from the list in the **Options** menu.
4. Locate the test setup folder. If you want to keep any of the session files, move them out of the test setup folder and then delete the test setup folder.



## About Setting Up Tests (MHL Transmitter)

Set up and configure MHL Transmitter tests using the tabs in the [Setup Panel \(see page 19\)](#). Settings in the **DUT** tab use a top-down, left-to-right logic flow, so that any parameter that affects or acts as a filter for other parameters appears either to the top of or to the left of the affected parameters. You can select tests individually or by group.

Test options include two views, **Compliance View** and **Advanced View** (selected in the **DUT** tab of the Setup panel), and two modes, **Compliance Mode** and **User Defined Mode** (selected in the **Configuration** tab of the Setup panel). The selected view determines where the test configuration settings are displayed. The selected mode determines whether or not you can change test configuration settings to include those that are noncompliant.

- **Compliance View** selected with **Compliance Mode**: View configuration options in the Test Selection tab of the Setup panel. Tests will run automatically with little or no user intervention. You will not be able to change test parameters to anything that deviates from the compliance standards. The only test configuration parameter that you can change in this mode is the selected Real Time Scope under Global settings.
- **Compliance View** selected with **User Defined Mode**: View configuration options in the Test Selection tab of the Setup panel. Tests will run automatically but you will be able to change test parameters before starting the tests.
- **Advanced View** selected with **Compliance Mode**: View configuration options in the Configuration tab of the Setup panel. Tests will run automatically with little or no user intervention. You will not be able to change test parameters to anything that deviates from the compliance standards. The only configuration parameter you can change in this mode is the selected Real Time Scope under Global settings.
- **Advanced View** selected with **User Defined Mode**: View configuration options in the Configuration tab of the Setup panel. Tests will run automatically but you will be able to change test parameters before starting the tests.

The application supports the following MHL Transmitter tests:

- MHL Clock
  - 3.1.1.1 Standby Output Voltage — VOFF  
This MHL Transmitter test measures that the MHL source output voltage is within the specified level limits when the source device is in Standby State or power off mode as specified in the CDF.
  - 3.1.1.7 Common-mode Rise and Fall Times-TR\_CM, TF\_CM  
This test confirms that the rise time and fall time of the common-mode output signal are within the specified limits.
  - 3.1.1.10 MHL Clock Duty Cycle 24-Bit or Packed Pixel Mode

This test confirms that the MHL clock duty cycle in 24-bit or packed pixel mode does not exceed the limits allowed by the specification.

- 3.1.1.11 MHL Clock Jitter

This test confirms that the MHL Clock output does not contain excessive jitter greater than the limit allowed by the specification.

- MHL Data

- 3.1.1.2 Single-ended High Level Voltage — VSE\_HIGH

This test confirms that the single-ended high output voltage level is within the specified limits when the DUT is in normal mode.

- 3.1.1.3 Single-ended Low Level Voltages — VSE\_LOW

This test confirms that the single-ended low output voltage level is within the specified limits when the DUT is in normal mode.

- 3.1.1.4 Differential Output Swing Voltage — VDF\_SWING

This test confirms that the differential output voltage swing amplitude is within the specified limits when the DUT is in normal mode.

- 3.1.1.5 Common-mode Output Swing Voltage — V\_CMSWING

This test confirms that common-mode output voltage swing amplitude is within the specified limits when the DUT operates in normal mode.

- 3.1.1.6 Differential Rise and Fall Times — TR\_DF, TF\_DF

This test confirms that the rise and fall times of the differential output signal are equal to or larger than the minimum limit.

- 3.1.1.8 Differential Intra-Pair Skew — TSKEW\_DF

This test confirms that the timing skew in the differential signal pair is below the specified limits.

- 3.1.1.12 MHL Data Eye Diagram

This test confirms that the MHL Data output has signal quality that meets the eye opening required by the specification.

Supported resolutions for each MHL Transmitter test:

All of the TekExpress MHL tests can be performed for DUTs operating in resolutions between 25 MHz and 74.25 MHz. Other resolutions that fall within this range can be entered in the Low Resolution and High Resolution fields on the DUT tab of the Setup panel.

**Table 6: Supported resolutions (Transmitter)**

Test group	Test name	Supported resolutions
MHL Clock	3.1.1.1 Standby Output Voltage — VOFF	—
	3.1.1.7 Common-mode Rise and Fall Times-TR_CM, TF_CM	High
	3.1.1.10 MHL Clock Duty Cycle 24-Bit or Packed Pixel Mode	High
	3.1.1.11 MHL Clock Jitter	Low and High resolutions
MHL Data	3.1.1.2 Single-ended High Level Voltage — VSE_HIGH	Low
	3.1.1.3 Single-ended Low Level Voltages — VSE_LOW	Low
	3.1.1.4 Differential Output Swing Voltage — VDF_SWING	Low
	3.1.1.5 Common-mode Output Swing Voltage — V_CMSWING	Low
	3.1.1.6 Differential Rise and Fall Times — TR_DF, TF_DF	High
	3.1.1.8 Differential Intra-Pair Skew — TSKEW_DF	Low
	3.1.1.12 MHD Data Eye Diagram	Low and High resolutions

### See Also

- [Test Setup Overview \(see page 53\)](#)
- [Before You Click Start \(see page 87\)](#)

## Equipment Connection Setup (MHL Transmitter)

You need the following equipment to run MHL Transmitter tests. (For details, see [Minimum System Requirements \(see page 3\)](#)):

- A [supported Tektronix oscilloscope \(see page 3\)](#)
- Two Differential Probes – P7313SMA, for Single Ended and Differential tests
- One Differential – Probe P7240 for Common Mode tests
- Device under test (DUT)
- Wilder/Tektronix Fixtures
- C-Bus Sink boards

Connection diagrams and the tests they apply to are listed below.

### Clock and Data Tests

**Table 7: Connection diagram 1 (Transmitter)**

---

3.1.1.4 Differential Output Swing Voltage-VDF\_SWING

---

3.1.1.5 Common-mode Output Swing Voltage-V\_CMSWING

---

3.1.1.6 Differential Rise and Fall Times-TR\_DF, TF\_DF

---

3.1.1.7 Common-mode Rise and Fall Times-TR\_CM, TF\_CM

---

3.1.1.10 MHL Clock Duty Cycle 24-Bit or Packed Mixel Mode

---

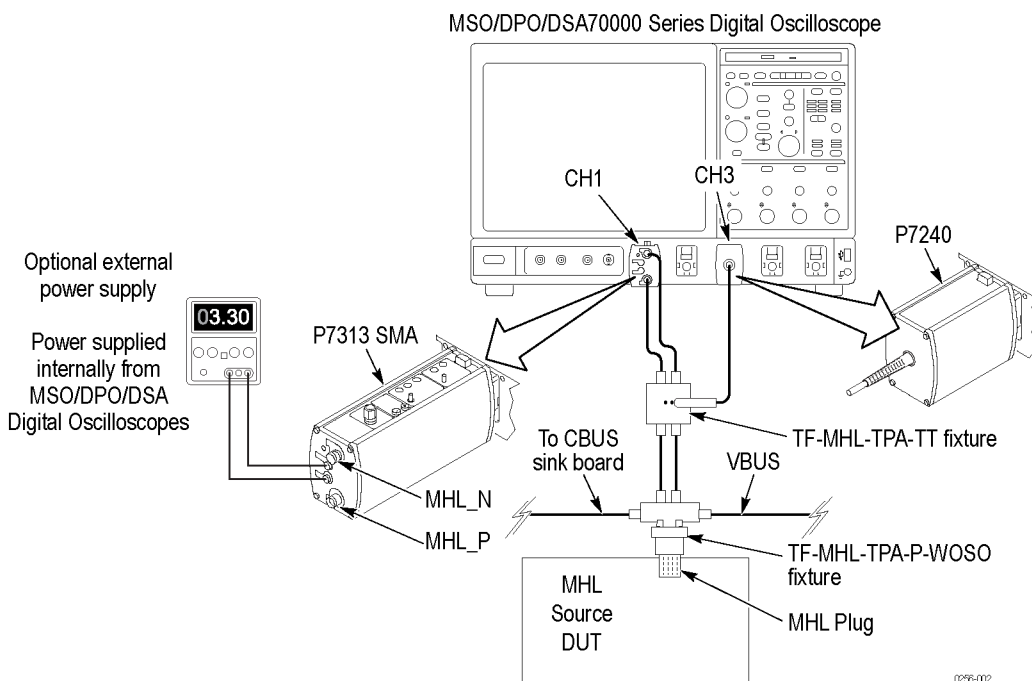
3.1.1.11 MHL Clock Jitter

---



**Table 7: Connection diagram 1 (Transmitter) (cont.)**

3.1.1.12 MHL Data Eye Diagram:



Source – V<sub>DFSWING</sub> Test Setup

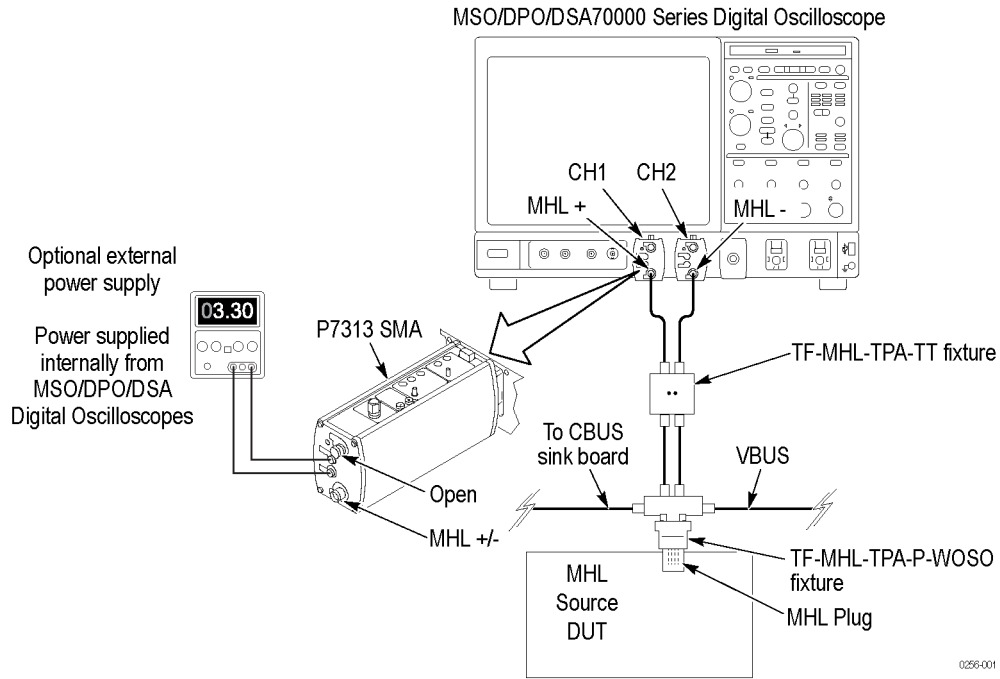
**Table 8: Connection diagram 2 (Transmitter)**

3.1.1.2 Single-ended High Level Voltage — VSE\_HIGH

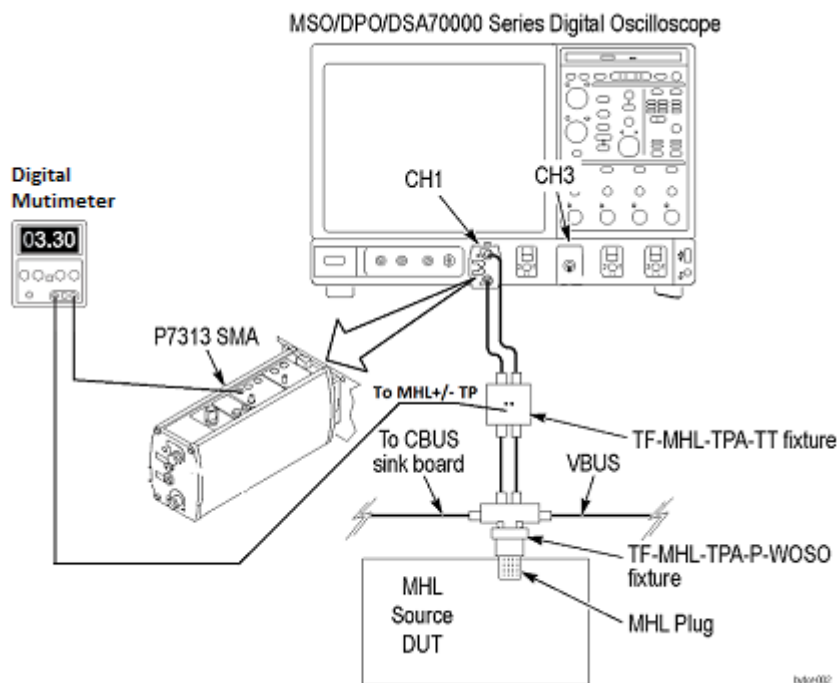
3.1.1.3 Single-ended Low Level Voltages — VSE\_LOW

**Table 8: Connection diagram 2 (Transmitter) (cont.)**

3.1.1.8 Differential Intra-Pair Skew — TSKEW\_DF



Source –  $V_{SE\_HIGH}$  Test Setup

**Table 9: Connection diagram 3 (Transmitter)**3.1.1.1 Standby Output Voltage —  $V_{OFF}$ **See Also**

- [View Connected Instruments \(see page 51\)](#)
- [About Setting Up Tests \(see page 45\)](#)

## View Connected Instruments

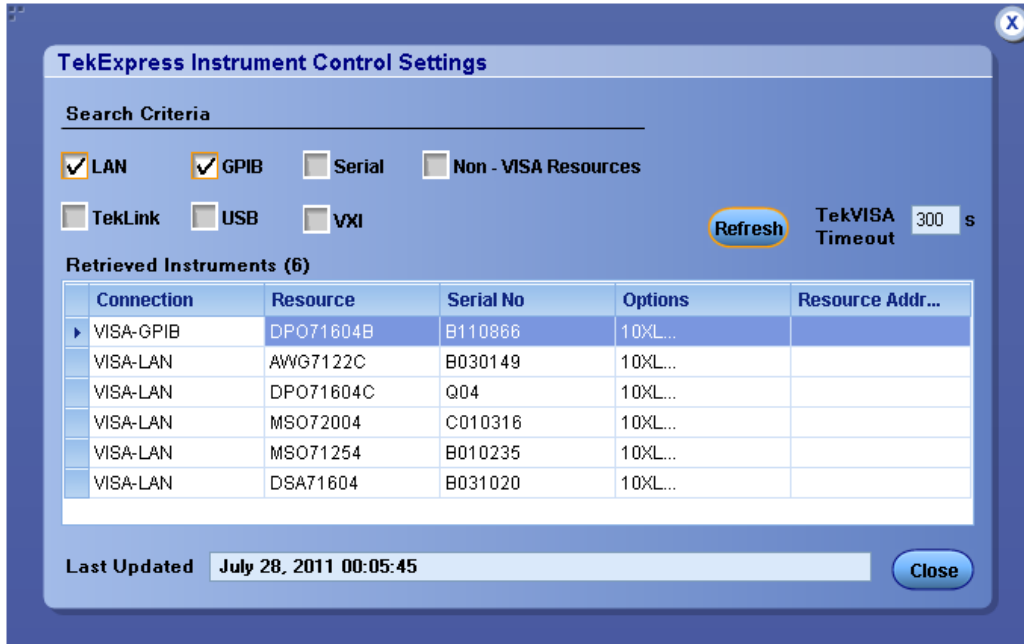
Use the Instrument Control Settings dialog box to view or search for connected instruments required for the tests. The application uses TekVISA to discover the connected instruments.

To refresh the list of connected instruments:

1. From the Options menu, select **Instrument Control Settings**.
2. In the Search Criteria section of the Instrument Control Settings dialog box, select the connection types of the instruments to search for.

Instrument search is based on the VISA layer but different connected cables determine the resource type, such as LAN, GPIB, USB. For example, if you choose LAN, you can search for all the instruments supported by TekExpress that are communicating over the LAN. If the search does not find any instruments that match a selected resource type, a message appears telling you that no such instruments were found. Click **OK** to close the message window.

3. Click **Refresh**. TekExpress searches for connected instruments.
4. After discovery, the dialog box lists the instrument-related details based on the search criteria you selected. For example, if you selected LAN and GPIB as the search criteria, the application checks for the availability of instruments over LAN, then GPIB.



The details of the instruments are displayed in the Retrieved Instruments table. The time and date of instrument refresh is displayed in the Last Updated field.

### See Also

- [Equipment Connection Setup \(MHL Transmitter\) \(see page 48\)](#)
- [Equipment Connection Setup \(MHL Receiver\) \(see page 71\)](#)

## Test Setup Overview (MHL Transmitter)

Use the numbered tabs in the [Setup panel \(see page 19\)](#) to guide you through the test selection and configuration process.


1. [Select device parameters \(see page 53\)](#).
2. [Select one or more tests \(see page 56\)](#).
3. [Select acquisitions \(see page 56\)](#).
4. [Configure tests \(see page 63\)](#).
5. [Select report options \(see page 68\)](#).

### See Also

- [About Setting Up Tests \(see page 45\)](#)
- [Before You Click Start \(see page 87\)](#)

## Select Device Parameters (MHL Transmitter)

Use the Setup panel **DUT** tab settings to select settings for the device under test. Options selected here are global DUT settings that apply to all tests for the current session. These options also affect the list of available tests in the **Test Selection** tab.

1. In the Setup panel, click the **DUT** tab.
2. In the DUT **ID** field, enter the ID for the device. The default value is DUT001. The name that you enter appears on reports.
3. (Optional) To add comments that appear at the top of a test report, click the note pad icon (  ) to the right of the DUT ID field and specify a comment up to 256 characters.
4. Select either “Acquire Live Waveforms” or “Use pre-recorded waveform files” for testing.
5. For the View option, select either **Compliance** or **Advanced**.

---

**NOTE.** *If you select **Advanced** view, a **Configuration** tab is included on the Setup panel. If you select **Compliance**, there is no configuration tab on the Setup panel. Instead, choose a test on the **Test Selection** tab and click the **Configure** button.*

---

6. Select from the Device Profile options:

**Table 10: Device Profile options (Transmitter)**

Setting	Option	Description
Pixel Mode	24 Bits	Select this if the DUT uses 24 Bit mode.
	Packed Pixel	Select this if the DUT uses packed pixel mode.
Resolution Controls	Low Resolution (MHz)	Enter a value from 25 to 100.
	High Resolution (MHz)	Low Resolution value should be less than or equal to High Resolution and High Resolutions should be greater than or equal to Low resolution.
	Num of Other Resolutions	If the DUT can support more than the three standard resolutions, enter the number here. Value can be from 0 to 10. Applicable tests will be run for the number of other resolutions specified here.
MHL+ Compensation Factor	Used for fixture compensation. Value should be between 1 and 2. (Appears on the DUT panel.)	
MHL- Compensation Factor	Used for fixture compensation. Value should be between 1 and 2. (Appears on the DUT panel.)	
Min Signal Threshold	Used for signal validation. Value should be between 50 and 600 mV. (Appears on the DUT panel.)	
Termination Source	Internal	Select this if the termination voltage control mode is INT (Internal).
	External Other	Select this if the termination voltage control mode is EXT (External) and you are using an external power supply other than Tek Power Supply to control probe termination.
	Tek Power Supply	Select this if the termination voltage control mode is EXT (External) and you are using a Tektronix Power Supply as the power source.  <b>NOTE.</b> Automated control of the Tek Power Supply is not available in this release.

**Table 10: Device Profile options (Transmitter) (cont.)**

<b>Setting</b>	<b>Option</b>	<b>Description</b>
VTerm Min (V)	3.135	Value must be greater than or equal to ( $\geq$ ) 1V and less than or equal to ( $\leq$ ) VTerm Max.
VTerm Max (V)	3.465	Value must be greater than or equal to ( $\geq$ ) VTerm Min, and less than or equal to ( $\leq$ ) 5V .

**See Also**

- [About Setting Up Tests \(see page 45\)](#)





## Select a Test (MHL Transmitter)

Use these instructions to select the MHL Transmitter tests to run on the connected DUT. Tests that you select here determine the acquisition parameters available in the Acquisitions tab.

1. In the Setup panel, click the **Test Selection** tab.
2. All tests are selected by default. Click **Deselect All** unless you want to run all tests.
3. Select the desired test(s):
  - To select all tests in the list, click the **Select All** button.
  - To select an entire test group, select the check box for the test group; tests listed under the group are automatically selected.
  - To select one or more, but not all, tests in a test group, select only the check boxes for the desired tests.

Test Selection Controls

**Table 11: Setup panel test controls (Transmitter)**

Button	Description
	When the View type selected in the DUT tab is Compliance, this button opens a configuration section for the selected test. If the View type is Advanced, this button is not available.
	Displays the schematic document for the selected test. Use to verify the test setup before running the test
	Deselects all tests in the table
	Selects all tests in the table

### See Also

- [About Acquisitions \(see page 56\)](#)
- [About Setting Up Tests \(see page 45\)](#)

## About Acquisitions (MHL Transmitter only)

The Acquisitions tab in the Setup panel is used to view and set acquisitions parameters for the selected tests. Before you can do this, you must first:



- choose either Acquire Live Waveforms or Use Pre-recorded waveform files in the Setup Panel on the DUT tab. The acquisition parameters displayed on the Acquisitions tab will differ depending on your choice on the DUT tab.

If you have chosen Acquire Live Waveforms on the DUT tab:

1. In the Setup panel, click the [Acquisitions \(see page 60\)](#) tab.
2. Select the probe source channel for each listed MHL signal in the Signal selection table.

MHL Signal Name	Source
MHL+ / Differential	CH1
MHL-	CH2
Common mode Clock	CH3

3. You may click the [View Probes \(see page 59\)](#) button to view probe configuration for each channel used.
4. You'll see the Acquisitions table. For information about the possible parameter columns displayed in the Acquisitions table, click [here](#).

The table below lists the possible parameter columns displayed in the Acquisitions table in the Acquisitions tab of the Setup panel. Columns displayed depend on the tests selected in the **Test Selection** tab, and whether or not the **Show Acquire Parameters** check box has been selected.

Column name	Function
Test Name	Displays the name of the selected test for performing acquisitions. One or more tests can perform the same acquisitions.
Acquisition	Updates the location of the named acquisition
Record Length	Displays the size of the record in M
Sample Rate (GS/s)	How often the oscilloscope takes a snapshot or sample of the signal
Diff Probe Vertical Scale (mV/Div)	Displays the vertical scale for the differential probe
Diff Probe Vertical Position (Div)	Displays the vertical position of the differential probe
CM Probe Vertical Scale (mV/Div)	Displays the vertical scale for the differential probe
CM Probe Vertical Position (Div)	Displays the vertical position of the differential probe
Probe attenuation (X)	Displays attenuation factor for the probe
Edge Trigger Level (%)	Displays the edge trigger level, in percentage
Measurement Repetition (count)	Displays the number of measurement repetitions
Population Count	Specifies a limit to the amount of waveform data that is analyzed
Vertical Scale	Displays the vertical scale for the non differential probe
Vertical Position	Displays the vertical position for the non differential probe
WaveForm FileName	Displays the name and location of the waveform file to be used for the measurement. Applies only to testing using prerecorded waveforms.

5. Underneath the table, you may check the Show Acquired Parameters check box. When selected, the acquisition parameters for each test display in additional columns in the Acquisitions table.
6. You may check the Acquire Step by Step check box. When selected, the software prompts you to continue after each phase of the test completes.

If you have chosen Use Pre-recorded waveform files on the DUT tab:

1. In the Setup panel, click the [Acquisitions \(see page 60\)](#) tab.
2. You'll see the Acquisitions table. Locate the row for the desired test and then click the ellipsis button (⋮) in the Waveform FileName column. Select a file. You can select more than one file for each test. For information about the possible parameter columns displayed in the Acquisitions table, click here.

The table below lists the possible parameter columns displayed in the Acquisitions table in the Acquisitions tab of the Setup panel. Columns displayed depend on the tests selected in the **Test Selection** tab, and whether or not the **Show Acquire Parameters** check box has been selected.

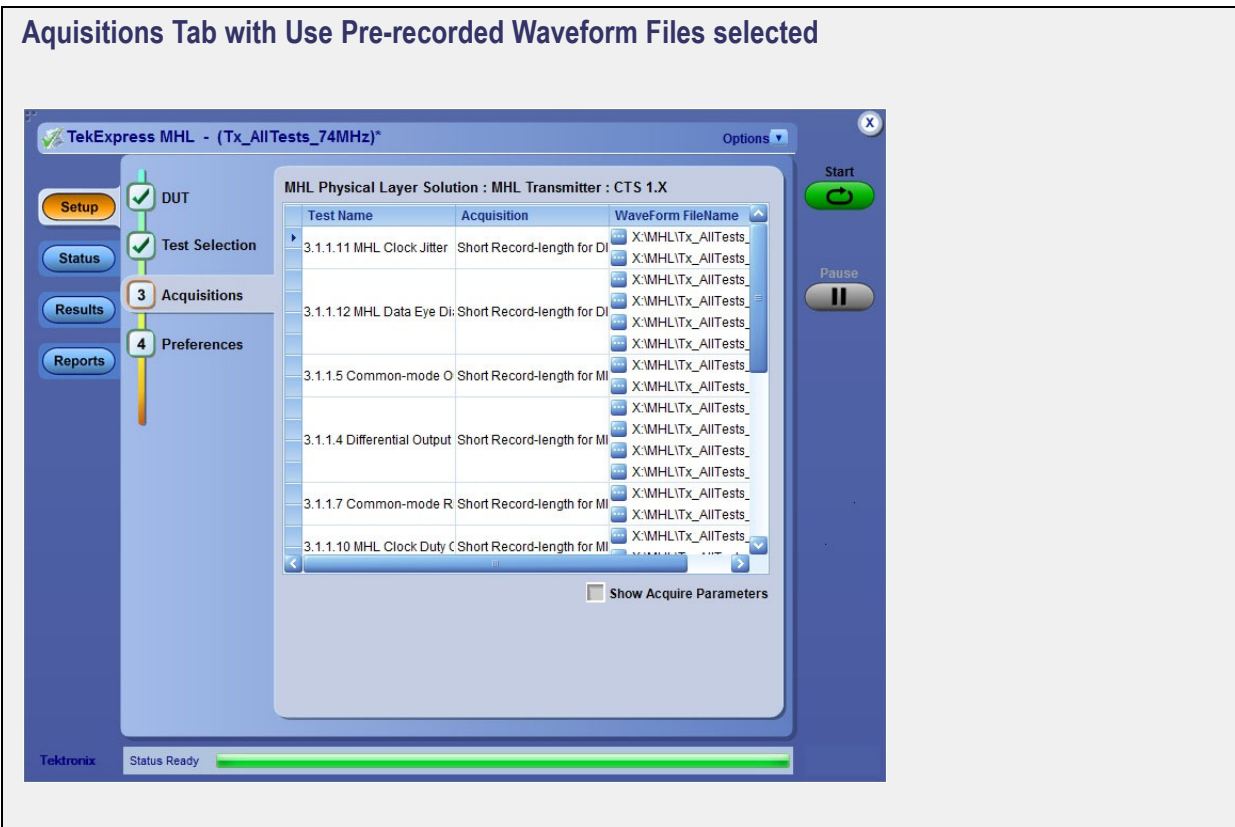
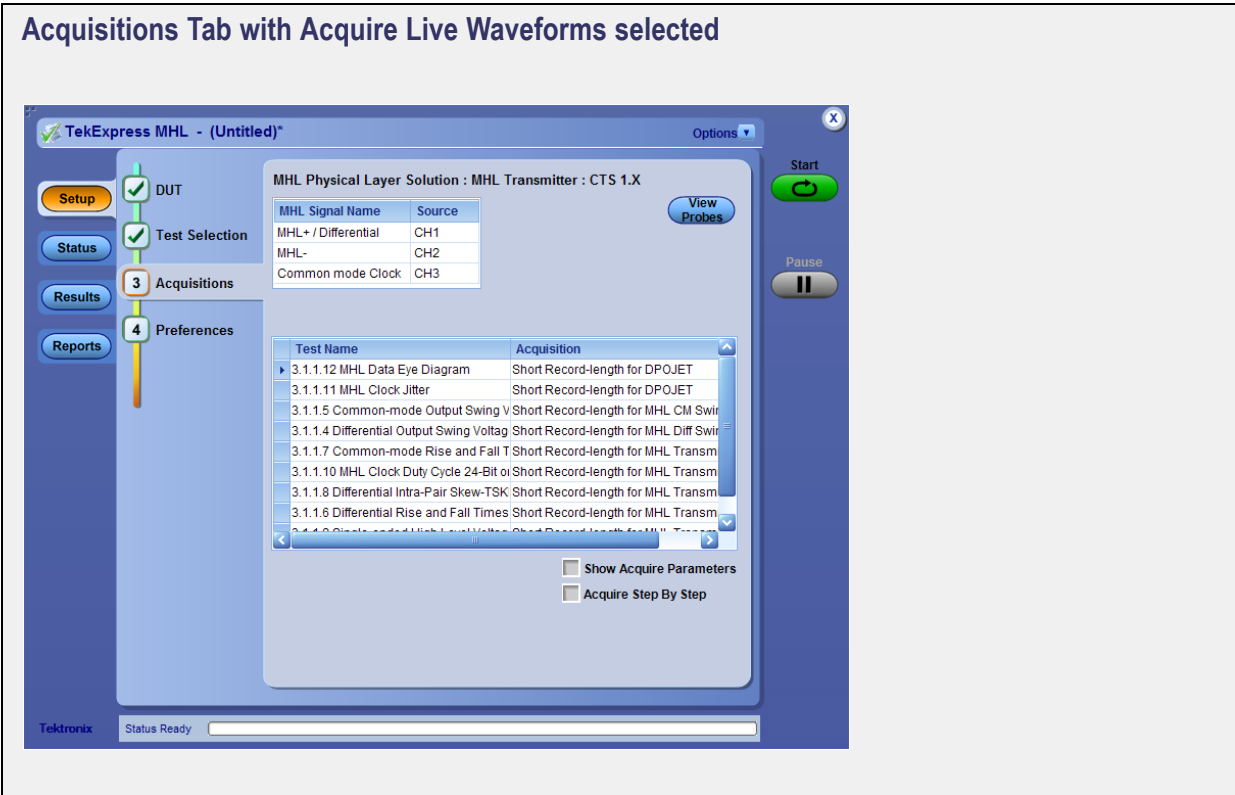
Column name	Function
Test Name	Displays the name of the selected test for performing acquisitions. One or more tests can perform the same acquisitions.
Acquisition	Updates the location of the named acquisition
Record Length	Displays the size of the record in M
Sample Rate (GS/s)	How often the oscilloscope takes a snapshot or sample of the signal
Diff Probe Vertical Scale (mV/Div)	Displays the vertical scale for the differential probe
Diff Probe Vertical Position (Div)	Displays the vertical position of the differential probe
CM Probe Vertical Scale (mV/Div)	Displays the vertical scale for the differential probe
CM Probe Vertical Position (Div)	Displays the vertical position of the differential probe
Probe attenuation (X)	Displays attenuation factor for the probe
Edge Trigger Level (%)	Displays the edge trigger level, in percentage
Measurement Repetition (count)	Displays the number of measurement repetitions
Population Count	Specifies a limit to the amount of waveform data that is analyzed
Vertical Scale	Displays the vertical scale for the non differential probe
Vertical Position	Displays the vertical position for the non differential probe
WaveForm FileName	Displays the name and location of the waveform file to be used for the measurement. Applies only to testing using prerecorded waveforms.

3. Underneath the Acquisitions table, you may check the Show Acquired Parameters check box. When selected, the acquisition parameters for each test display in additional columns in the Acquisitions table.

**See Also**

- [Acquire Live Waveforms for Analysis \(see page 62\)](#)
- [Use Prerecorded Waveforms for Analysis \(see page 61\)](#)
- [Configure Tests \(see page 63\)](#)
- [About Setting Up Tests \(see page 45\)](#)





### Acquisitions Table


The table below lists the possible parameter columns displayed in the Acquisitions table in the Acquisitions tab of the Setup panel. Columns displayed depend on the tests selected in the **Test Selection** tab, and whether or not the **Show Acquire Parameters** check box has been selected.

Column name	Function
Test Name	Displays the name of the selected test for performing acquisitions. One or more tests can perform the same acquisitions.
Acquisition	Updates the location of the named acquisition
Record Length	Displays the size of the record in M
Sample Rate (GS/s)	How often the oscilloscope takes a snapshot or sample of the signal
Diff Probe Vertical Scale (mV/Div)	Displays the vertical scale for the differential probe
Diff Probe Vertical Position (Div)	Displays the vertical position of the differential probe
CM Probe Vertical Scale (mV/Div)	Displays the vertical scale for the differential probe
CM Probe Vertical Position (Div)	Displays the vertical position of the differential probe
Probe attenuation (X)	Displays attenuation factor for the probe
Edge Trigger Level (%)	Displays the edge trigger level, in percentage
Measurement Repetition (count)	Displays the number of measurement repetitions
Population Count	Specifies a limit to the amount of waveform data that is analyzed
Vertical Scale	Displays the vertical scale for the non differential probe
Vertical Position	Displays the vertical position for the non differential probe
WaveForm FileName	Displays the name and location of the waveform file to be used for the measurement. Applies only to testing using prerecorded waveforms.

## Use Prerecorded Waveforms for Analysis (MHL Transmitter only)

**NOTE.** *If you are using the prerecorded waveform files option, it is recommended that you use a waveform file (.wfm) that was captured from a Tektronix oscilloscope. This eliminates the need to use an oscilloscope. You can manually select waveforms and perform the tests by clicking the **Start** button.*

1. [Open a saved test setup \(see page 42\)](#) or [create a new one \(see page 42\)](#).
2. In the Setup panel, select the **DUT** tab, select the desired DUT and then select **Use pre-recorded waveform files**.
3. In the **Test Selection** tab, [select the desired test\(s\) \(see page 56\)](#).

4. In the **Acquisitions** tab, locate the row for the desired test in the [Acquisitions Table \(see page 61\)](#). In the **Waveform FileName** column for that test, click the ellipses button () and select the desired waveform file.
5. Perform any additional desired test setup, such as [test configuration \(see page 63\)](#), and then click **Start** to run the test.

You can select a different waveform file for each test, deselect a test from the current run, or add a test to the current run. Once you click **Start**, data corresponding to that test run populates the other panels (such as the test status and test results).

### See Also

- [About Acquisitions \(see page 56\)](#)

## Acquire Live Waveforms for Analysis (MHL Transmitter only)

Use these instructions to set up acquisition for a live waveform.

1. [Open a saved test setup \(see page 42\)](#) or [create a new one \(see page 42\)](#).
2. In the Setup panel, select the **DUT** tab, enter the desired DUT and then select **Acquire live waveforms**.
3. [Select other DUT options \(see page 53\)](#) as desired.
4. In the **Test Selection** tab, [select the desired test\(s\) \(see page 56\)](#).
5. In the **Acquisitions** tab, select or view the desired parameters in the [Acquisitions Table \(see page 61\)](#).
6. [Configure the tests \(see page 63\)](#) if you have not done so already, and then click **Start** to run the test.

### See Also

- [Before You Click Start \(see page 87\)](#)
- [About Acquisitions \(see page 56\)](#)

## Configuring Tests (MHL Transmitter)

Use these instructions for configuring MHL Transmitter tests.

1. Do one of the following:

- If you have selected **Compliance** View in the **DUT** tab on the Setup panel, then click on the **Test Selection** tab and select the desired test in the list. Then click **Configure**.

If you have selected **Advanced** View instead, click the **Configuration** tab in the Setup panel. The Configuration Tab shows **Global** parameters and **Measurement** parameters. Global parameters are common for all tests. Measurement parameters are specific to the test selected in the tree view section of the configuration settings. Test-specific parameters include acquisition, analysis, and limit parameters.

---

**NOTE.** *Test parameters that are grayed cannot be changed.*

---

2. Select the desired mode:

- **Compliance Mode:** Select to use Compliance Mode values. You cannot change most test parameters in Compliance Mode but you can view the compliance parameters.
- **User Defined Mode:** Select to run tests with custom parameters.

3. To choose the oscilloscope for testing, click **Global Settings**. In the Instruments Detected section, click in the shaded area opposite **Real Time Scope** and select the desired instrument from the drop-down list. If the instrument you want is not listed, you can [refresh the list \(see page 51\)](#).

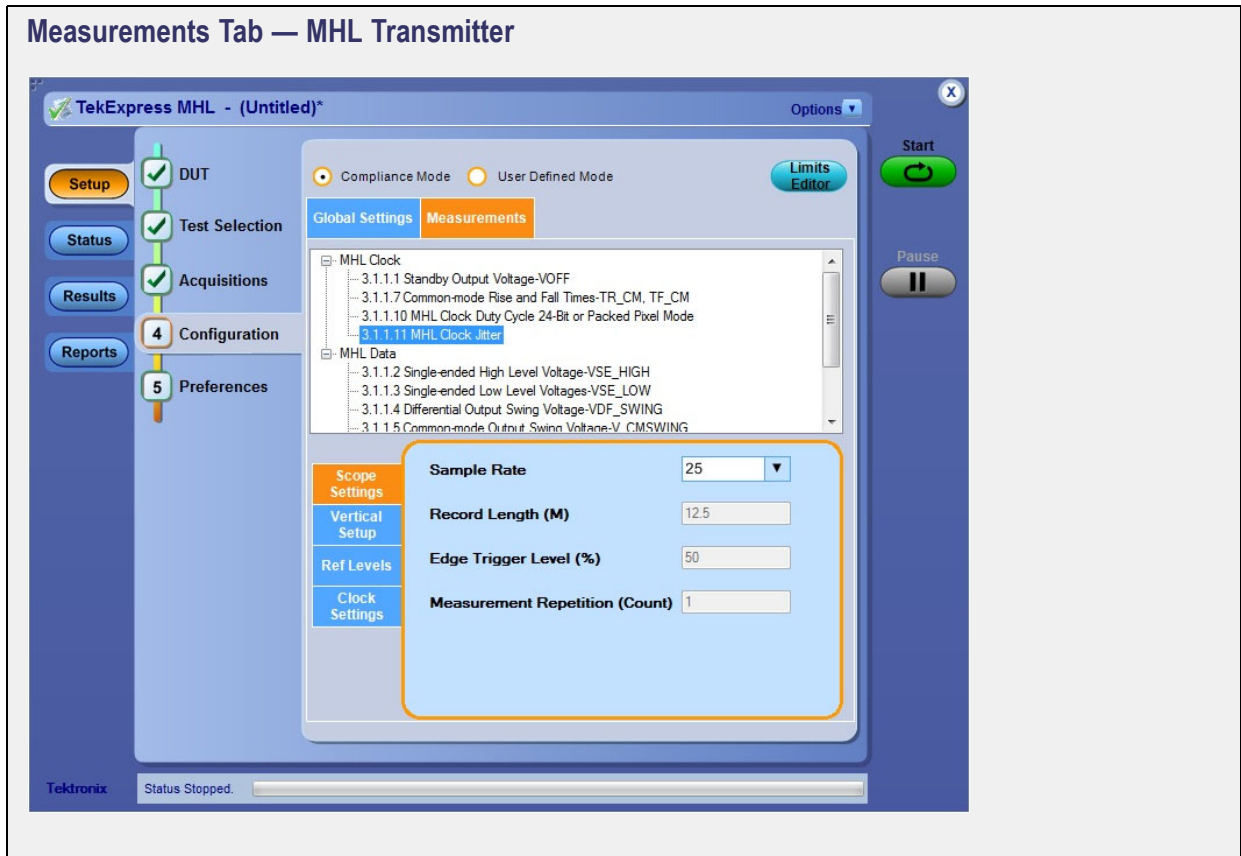
4. Click the [Measurements \(see page 64\)](#) tab. If you have selected **Compliance Mode**, you may view but not change the settings. If you have selected **User Defined Mode**, you may change parameters that are not grayed out.

- a. From the test list, select the test whose parameters you'd like to change. The options available in the section below the list change to reflect the selected test.
- b. The **Measurements** tab includes parameters applicable to the selected test. To modify the parameters, select the desired tab and then select the desired parameters. For details, see [Measurement Parameter Descriptions \(see page 183\)](#).

5. To view or change test limits, click **Limits Editor**. If you have selected **Compliance Mode**, you may view but not change the limits. If you selected **User Defined Mode**, [you may change the limits \(see page 64\)](#).

### See Also

- [About Setting Up Tests \(see page 45\)](#)
- [Measurement Parameter Descriptions \(see page 183\)](#)
- [Before You Click Start \(see page 87\)](#)



## Common Test Parameters and Values (MHL Transmitter)

The following table lists the measurement parameters common to all tests. For a more detailed breakdown of which parameters apply to what tests, see [Measurement Parameter Descriptions \(see page 183\)](#).

**Table 12: Common parameters and values (Transmitter)**

Parameter type	Parameter and default value
Mode	Determines whether test parameters are in compliance or can be edited <ul style="list-style-type: none"> <li>■ <b>Compliance:</b> Test parameter values cannot be edited.</li> <li>■ <b>User Defined:</b> Most test parameter values can be edited.</li> </ul>
Global Settings	<b>Real Time Scope:</b> This is a global setting that will be used for all tests and that stays in effect until you change it. This applies to all tests selected for the current run.
Measurements	Settings here apply to the test selected in the test list. Available measurement tabs (parameter categories) vary by test.

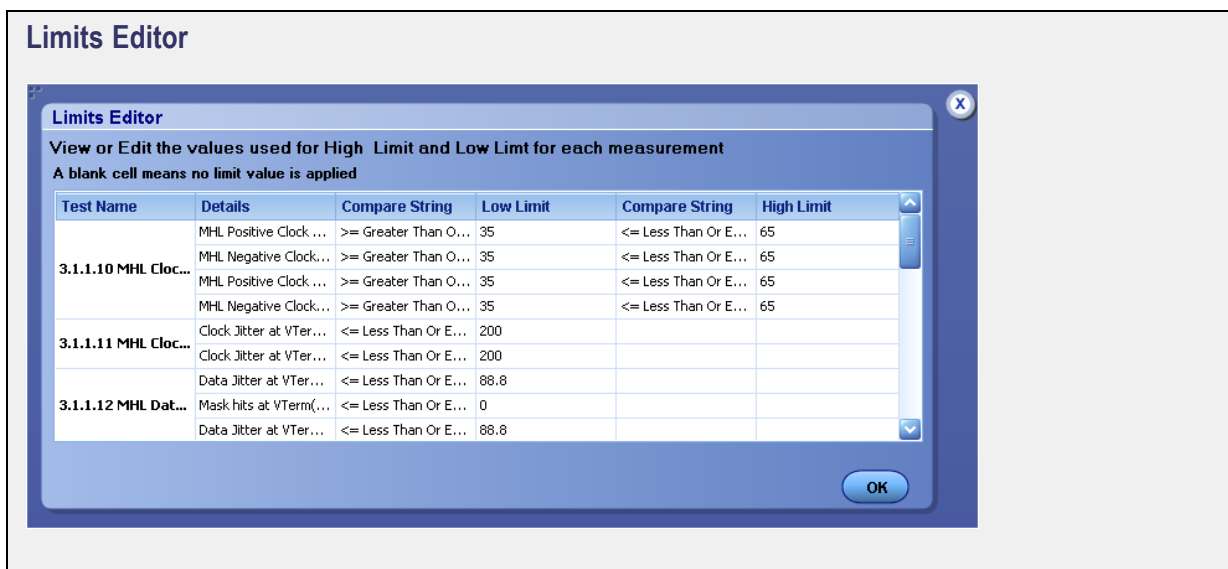


**Table 12: Common parameters and values (Transmitter) (cont.)**

Parameter type	Parameter and default value
Limits	Shows the upper and lower limits for the applicable measurement using different types of comparisons. In <b>Compliance Mode</b> , allows you to view the measurement high and low limits used for the test selected in the test list of the <b>Measurements</b> tab. When running tests in <b>User Defined Mode</b> , you can edit the limit settings by clicking on the <a href="#">Limits Editor (see page 65)</a> button in the upper right corner of the Configuration panel.
Scope Settings	These vary by test, but all include at least the following: <ul style="list-style-type: none"> <li>■ Sample Rate: 25 (default)</li> <li>■ Record Length (M):10(default)</li> <li>■ Edge Trigger Level (%): 50</li> </ul>
Vertical Setup	These vary by test, but all include at least the following: <ul style="list-style-type: none"> <li>■ Probe Attenuation: 12.5 X (default)</li> </ul>
Ref Levels	<ul style="list-style-type: none"> <li>■ Absolute or Percentage (default)</li> <li>■ Mid Level: 50 (default)</li> <li>■ Hysteresis: default is 5, 10, or 15, depending on test</li> </ul>

**See Also**

- [Configure Tests \(see page 63\)](#)



## Configure Email Notification

Set up these email settings if you want the application to notify you by email when a test completes or produces an error. Configure email from the Options menu.

1. From the **Options** menu in the upper right corner, select **Email Settings** to open the Email Settings dialog box, or click the **Preferences** tab on the Setup panel.

2. (Required) For **Recipient email Address(es)**, enter your email address. You can include multiple addresses as long as you separate the addresses with commas.
3. (Required) For **Sender's Address**, enter the email address used by the instrument. This address consists of the instrument name, followed by an underscore, followed by the instrument serial number, the @ symbol, and the email server used. For example: DPO72004C\_B130099@yourcompany.com.
4. (Required) In the **Server Configuration** section, type the SMTP Server address of the Mail server configured at the client location, and the SMTP Port number, in the corresponding fields.

If this server requires password authentication, enter a valid login name, password, and host name in the corresponding fields.

---

**NOTE.** *If any of the above required fields are left blank, the settings will not be saved and email notifications will not be sent.*

---

5. In the **Email Attachments** section, select from the following options:
  - **Reports:** Select to receive the test report with the notification email.
  - **Status Log:** Select to receive the test status log with the notification email. If you select this option, then also select whether you want to receive the full log or just the last 20 lines.

---

**NOTE.** *The ScoreCard and Analysys Screenshot options are not available in MHL.*

---

6. In the **Email Configuration** section, select as desired:
  - Select the message file format to send: HTML (the default) or plain text.
  - Enter a maximum file size for the email message. Messages with attachments larger than this limit will not be sent. The default is 5 MB.
  - To limit the number of attempts the system makes to send a notification, enter the number in the **Number of Attempts to Send** field. The default is 1. You can also specify a timeout.
7. Select the **Email Test Results when complete or on error** check box. Use this check box to quickly enable or disable email notifications.
8. To test your email settings, click **Test Email**.
9. To apply your settings, click **Apply**.
10. Click **Close** to exit the Email Settings dialog box.

## Select Report Options (MHL Transmitter)

Use the [Reports Panel \(see page 37\)](#) to select the naming convention to use for the report. For example, if you do not want your test results to be overwritten each time you run any test, always give the report a unique name, or select to have the name increment each time you run a particular test. Generally, you would select report options before running a test, or when creating and saving test setups. Report settings are included in saved test setups.

1. Select the **Reports** panel.
2. Select from the report options. Refer to table below for details.

**Table 13: Report options**

Setting	Description
Report Name	<p>Displays the default name and location where the report will be saved when generated Change the report name or location.</p> <p>In the <b>Report Name</b> field, type over the current folder path and name and then save the test setup. Be sure to include the entire folder path, the file name, and the file type. For example: C:\Documents and Settings\your user name\My Documents\My TekExpress\MHL\DUT001_group1.mht.</p> <p><b>NOTE.</b> You cannot change the file location using the <i>Browse</i> button.</p> <p>Open an existing report.</p> <p>Click <b>Browse</b>, locate the report file and then click <b>View</b>.</p>
Save As Type	<p>Saves a report in a file type different from the default. Lists supported file types to choose from.</p> <p><b>NOTE.</b> If you select a file type different from the default, be sure to change the report file name extension in the <i>Report Name</i> field to match.</p>
Auto increment report name if duplicate	<p>If the application finds a report with the same name as the one being generated, the application automatically increments the name of the report. For example: DUT001, DUT002, DUT003</p>
Include User Comments	<p>Select to include any comments about the test that you or another user added in the DUT tab of the Setup panel. Comments appear in the Comments section under the summary box at the beginning of each report.</p>
Append Reports	<p>This option adds new report data to the end of an existing report of the same name. This option is deselected by default.</p>
View Report After Generating	<p>Automatically opens the report in your Web browser when the test completes. This option is selected by default.</p>

### See Also

- [View a Report \(see page 91\)](#)
- [About Setting Up Tests \(see page 45\)](#)

## About Setting Up Tests (MHL Receiver)

Set up and configure MHL Receiver tests using the tabs in the [Setup Panel \(see page 27\)](#). Settings in the **DUT** tab use a top-down, left-to-right logic flow, so that any parameter that affects or acts as a filter for other parameters appears either to the top of or to the left of the affected parameters. You can select tests individually or by group.

The application supports the following MHL Receiver tests:

### ■ MHL Sink

#### – 4.1.1.1 - Input Signal DC Voltage Level Tolerance

This test confirms that the sink device supports input signal DC voltage level allowed by the specification.

#### – 4.1.1.2 - Input Signal Minimum and Maximum Swing Voltage Level Tolerances

This test confirms that the sink device supports input signal DC voltage level and swing voltage allowed by the specification.

#### – 4.1.1.3 - Intra Pair Skew Tolerance

This test confirms that the sink device can tolerate the maximum intra-pair skew allowed by the specification.

#### – 4.1.1.4 - Jitter Tolerance

This test confirms that the sink device can tolerate the maximum clock and data jitter amounts allowed by the specification.

### ■ MHL Dongle

#### – 5.1.1.1 - Input Signal Single-Ended Voltage Level Tolerance

This test confirms that the dongle device supports input signal single-ended voltage level allowed by the specification.

#### – 5.1.1.2 - Input Signal Minimum and Maximum Swing Voltages Tolerance

This test confirms that the dongle device supports input signal minimum and maximum swing voltages allowed by the specification.

#### – 5.1.1.3 - Intra-Pair Skew Tolerance

This test confirms that the dongle device can tolerate the maximum intra-pair skew allowed by the specification.

#### – 5.1.1.4 - Jitter Tolerance

This test confirms that the dongle device can tolerate the maximum clock and data jitter amounts allowed by the specification.

Supported resolutions for each MHL Receiver test:

**Table 14: Supported resolutions (MHL Receiver)**

Test group	Test name	Supported resolutions
MHL Sink	4.1.1.1. Input Signal DC Voltage Level Tolerance Test	Highest
	4.1.1.2 Input Signal Minimum and Maximum Swing Voltages Tolerance	Highest
	4.1.1.3 Intra-Pair Skew Tolerance Test	Highest
	4.1.1.4 Jitter Tolerance Test	Lowest and Highest
MHL Dongle	5.1.1.1 Input Signal Single-Ended Voltage Level Tolerance	Highest
	5.1.1.2 Input Signal Minimum and Maximum Swing Voltage Tolerance Test	Highest
	5.1.1.3 Intra-Pair Skew Tolerance Test	Highest
	5.1.1.4 Jitter Tolerance Test	Lowest and Highest

All of the TekExpress MHL tests can be performed for DUTs operating in resolutions of 25, 27 and 74.25 MHz according to the standard. Other resolutions that fall within this range can be entered in the **Low Resolution** and **High Resolution** fields on the **DUT** tab of the Setup panel. Either of the Resolutions can be **High** according to the Manufacturer.

For instance, a DUT could have any of the following:

Low : 25      High : 25

Low : 25      High : 27

Low : 25      High : 74.25

When Low and High resolutions are the same, the software performs the test at that one resolution.

### See Also

- [Test Setup Overview \(see page 80\)](#)
- [Configuring Tests \(see page 83\)](#)
- [Before You Click Start \(see page 95\)](#)

## Equipment Connection Setup (MHL Receiver)

You need the following equipment (for details, see [Minimum System Requirements \(see page 3\)](#)):

- A [supported Tektronix oscilloscope \(see page 3\)](#)
- Two Differential Probes – P7313SMA, for Single Ended and Differential tests
- One Differential Probe – P7240 for Common Mode tests
- Device under test (DUT)
- Wilder Fixtures
- C-Bus Sink boards
- MHL Signal Generator: AWG 7122B/C with option 01 and 02 or 06 and 08

Connection diagrams and the tests they apply to are listed below.

### Sink Tests

---

4.1.1.1 Input Signal DC Voltage Level Tolerance Test

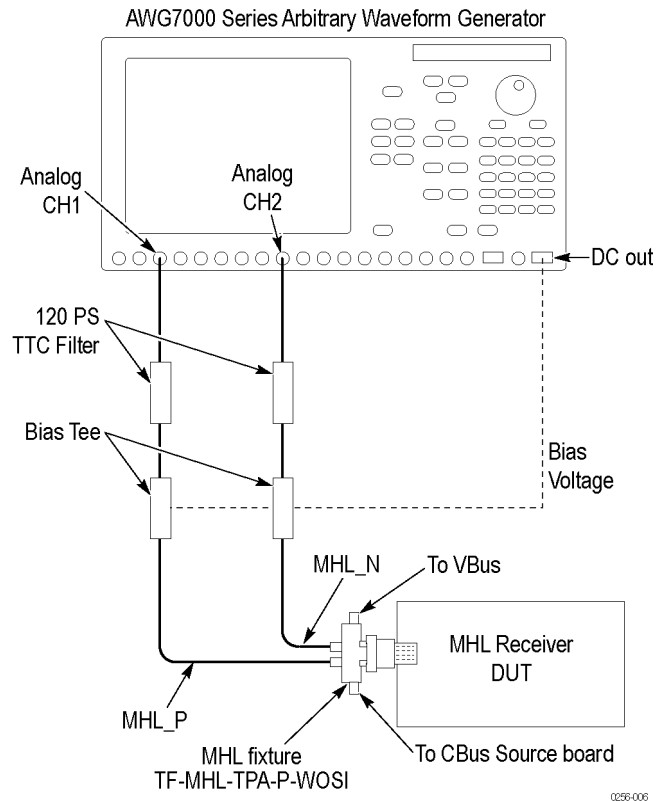
---

4.1.1.3 Intra-Pair Skew Tolerance Test

---

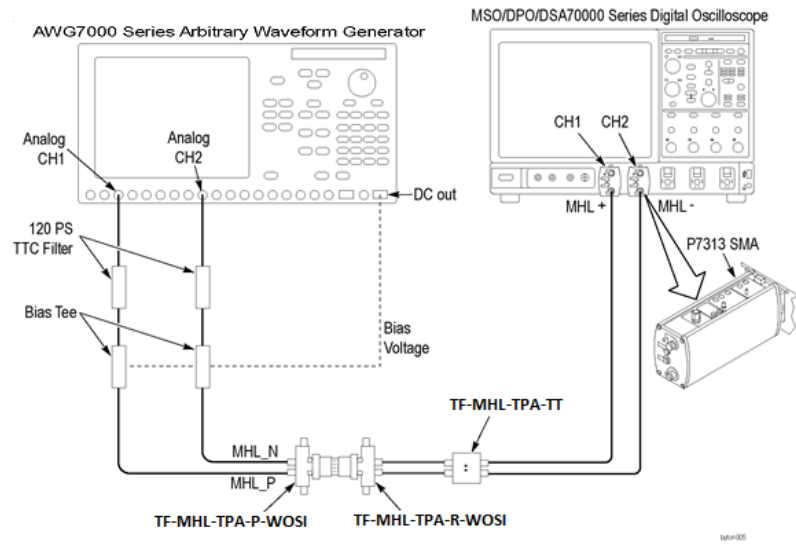
4.1.1.4 Jitter Tolerance Test

---

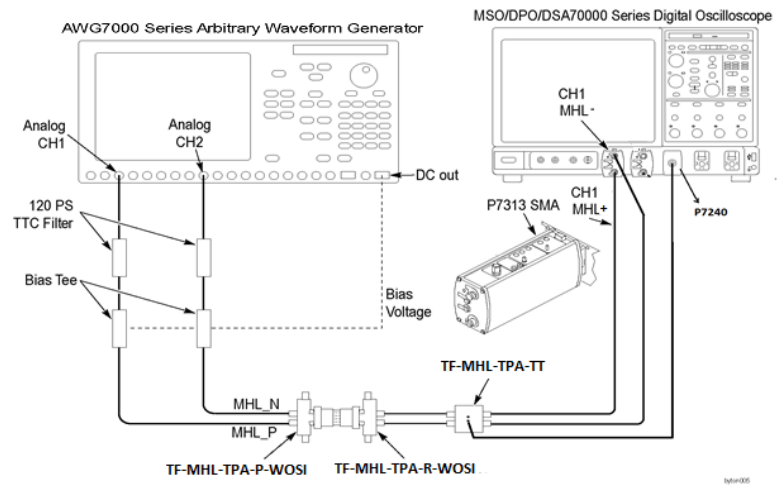


Sink-MHL Input Signal DC Voltage Level Test



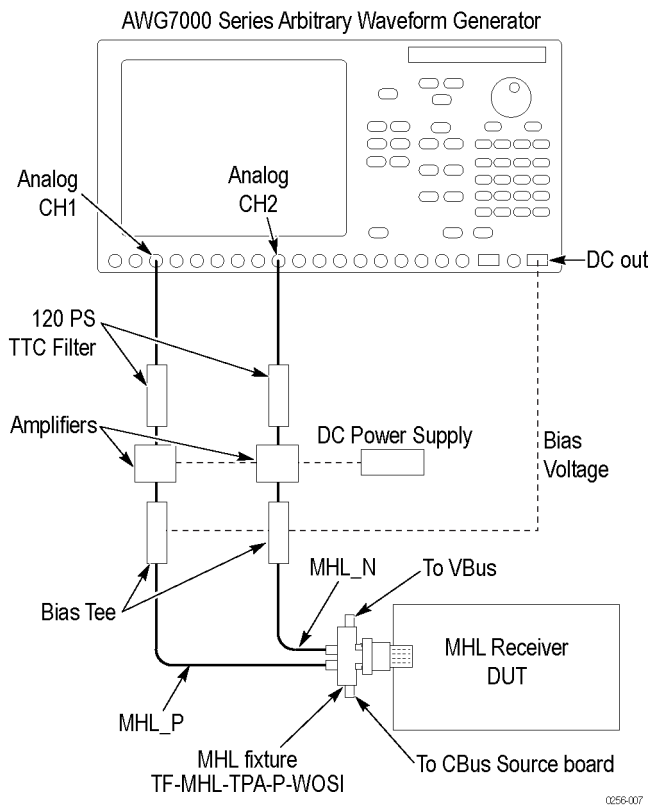


Single-Ended Signals Calibration Setup for Sink Test

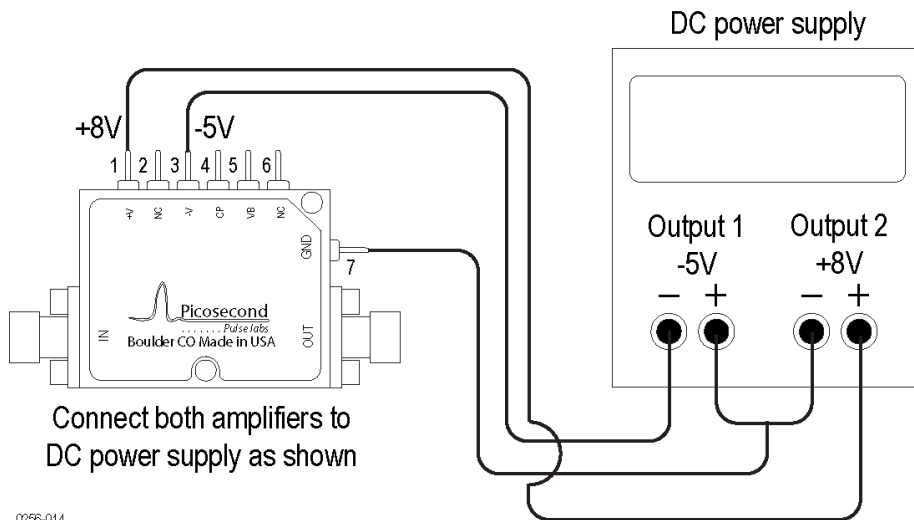


Differential and Common-Mode Signals Calibration Setup for Sink Test

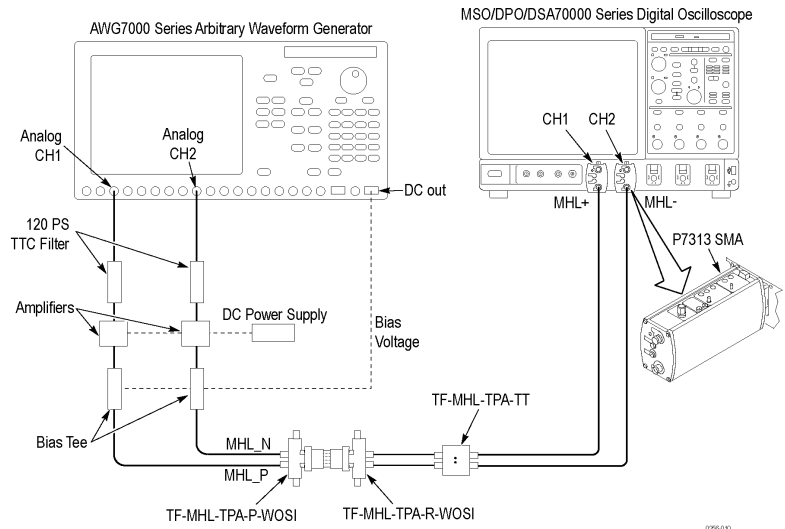
4.1.1.2 Input Signal Minimum and Maximum Swing Voltages Tolerance:



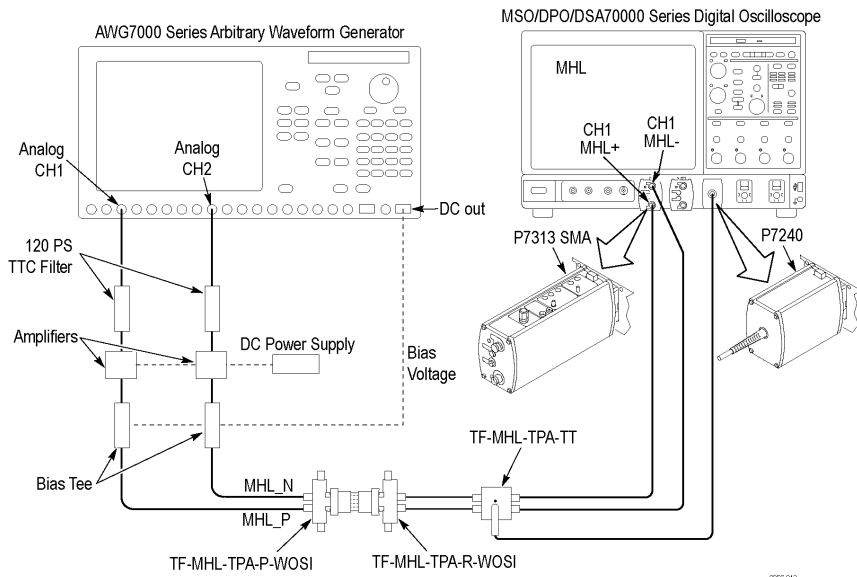
Sink — MHL Input Signal DC Voltage Level Min-Max Test



Amplifier Connections to Power Supply



Single Ended Signals Calibration Setup for Sink Min-Max Test



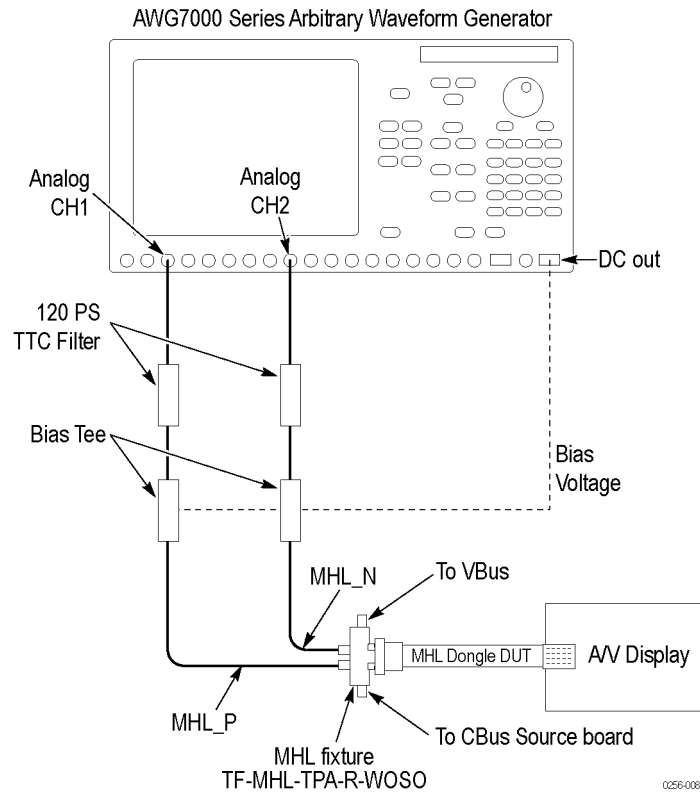
Differential and Common-Mode Signals Calibration Setup for Sink Min-Max Test

## Dongle Tests

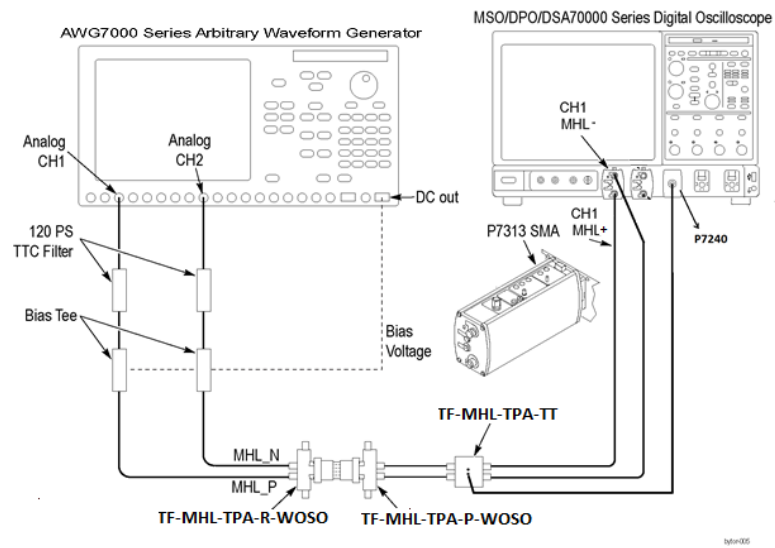
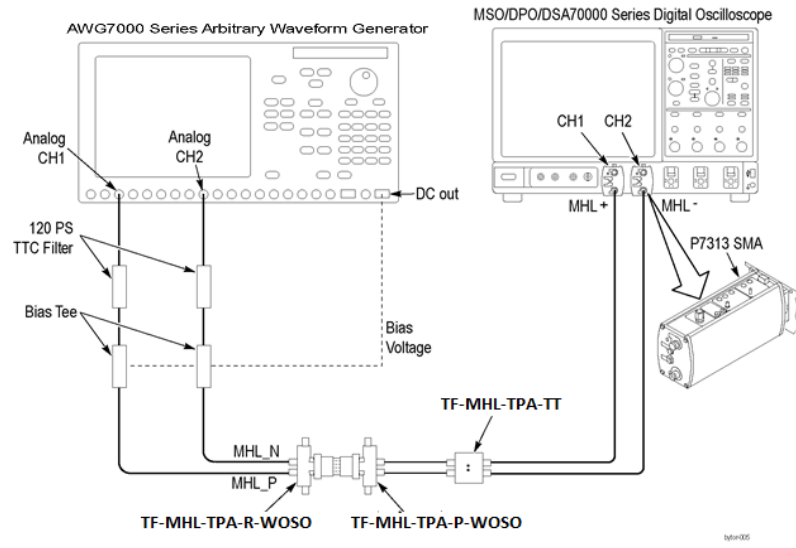
5.1.1.1 Input Signal Single-Ended Voltage Level Tolerance

5.1.1.3 Intra-Pair Skew Tolerance Test

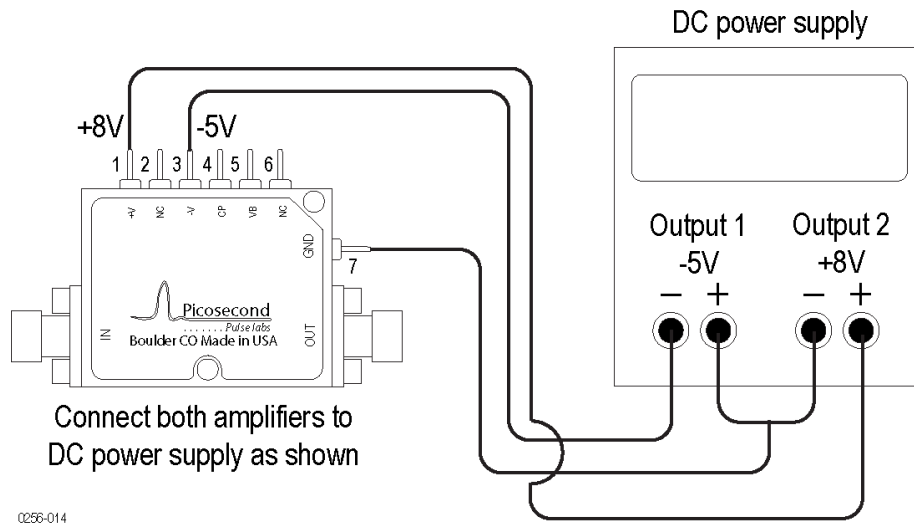
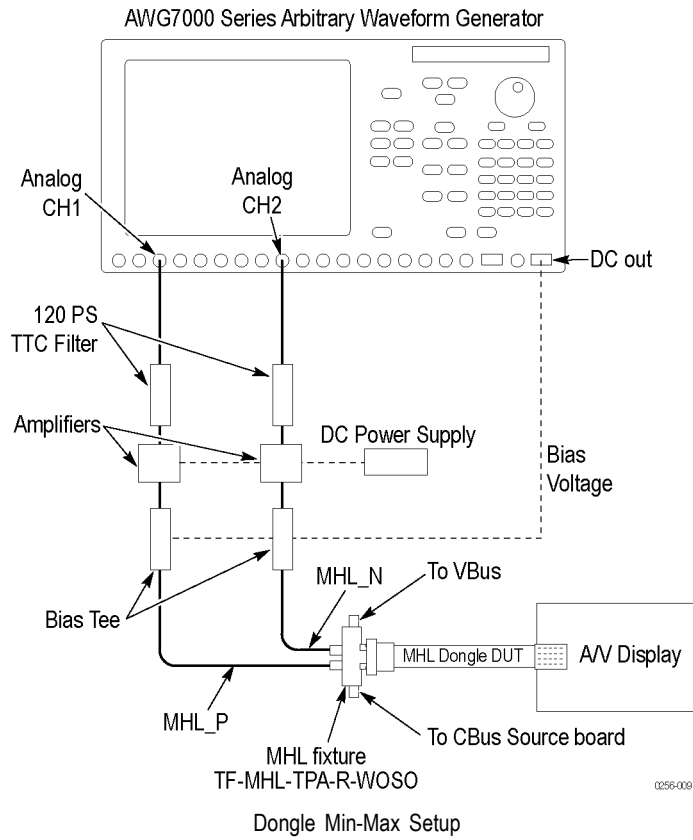
5.1.1.4 Jitter Tolerance Test



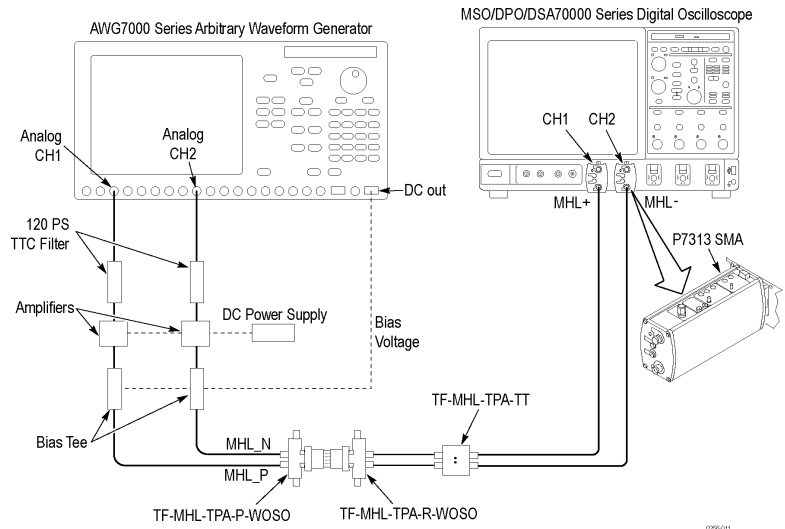
Dongle — Input Signal Single-Ended Voltage level Tolerance Test



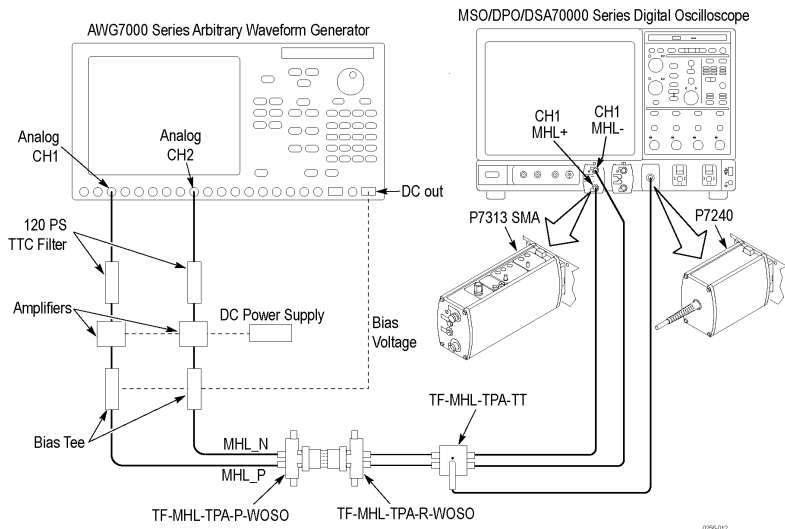
5.1.1.2 Input Signal Minimum and Maximum Swing Voltage Tolerance Test:



Amplifier Connections to DC Power Supply



Single-Ended Signals Calibration Setup for Dongle Min Max Test



Differential and Common-Mode Signals Calibration Setup for Dongle Min Max Test

**See Also**

- [View Connected Instruments \(see page 51\)](#)
- [About Setting Up Tests \(see page 69\)](#)

## Test Setup Overview (MHL Receiver)

Use the numbered tabs in the [Setup panel \(see page 27\)](#) to guide you through the test selection and configuration process.

1. [Select device parameters \(see page 81\)](#).
2. [Select one or more tests \(see page 82\)](#).
3. [Configure the tests \(see page 83\)](#).
4. [Select preferences \(see page 26\)](#).

### See Also

- [About Setting Up Tests \(see page 69\)](#)
- [Before You Click Start \(see page 95\)](#)



## Select Device Parameters (MHL Receiver)

Use the Setup panel **DUT** tab settings to select settings for the device under test. Options selected here are global DUT settings that apply to all tests for the current session. These options also affect the list of available tests in the **Test Selection** tab.

1. In the Setup panel, click the **DUT** tab.
2. In the DUT **ID** field, enter the ID for the device. The default value is DUT001. The name that you enter appears on reports.
3. In the **Device** field, select the device.
4. In the **Suite** field, select **MHL Receiver**.
5. In the **Version** field, select the version.
6. Select from the **Device Profile** options:

**Table 15: Device Profile options (Receiver)**

Setting	Option	Description
Pixel Mode	24 Bits	Currently solution supports only 24 Bits mode.
Resolution Controls	Low Resolution (MHz)	Enter a frequency value of 25, 27 or 74.25. Value should be <= High Resolution.
	High Resolution (MHz)	Enter a frequency value of 25, 27 or 74.25. Value should be >= Low Resolution.

### See Also

- [About Setting Up Tests \(see page 69\)](#)




## Select a Test (MHL Receiver)

Use these instructions to select the tests to run on the connected DUT.

1. In the Setup panel, click the **Test Selection** tab.
2. All tests are selected by default. Click **Deselect All** unless you want to run all tests.
3. Select the desired test(s):
  - To select all tests in the list, click the **Select All** button.
  - To select an entire test group, select the check box for the test group; tests listed under the group are automatically selected.
  - To select one or more, but not all, tests in a test group, select only the check boxes for the desired tests.

Test Selection Controls (MHL Receiver)

**Table 16: Setup panel test controls**

Button	Description
	Displays the schematic document for the selected test. Use to verify the test setup before running the test
	Deselects all tests in the table
	Selects all tests in the table

### See Also

- [About Setting Up Tests \(see page 69\)](#)

## Configuring Tests (MHL Receiver)

Use these instructions for configuring MHL Receiver tests. The **Configuration** tab shows **Global Settings** and **Measurement** parameters. Global Settings are common for all tests. Measurement parameters are specific to the test selected in the test list of the Configuration settings.

1. To select the oscilloscope for testing, click **Global Settings**. In the Instruments Detected section, click in the shaded area opposite Real Time Scope and select the desired instrument from the drop-down list. If the instrument you want is not listed, you can [refresh the list \(see page 51\)](#).
2. Click the **Measurements** tab.
  - a. In the tree view area, select the test whose parameters you want to change. The options available in the section below the tree view change to reflect the selected test.
  - b. The measurements area tabs include parameters applicable to the selected test. To modify the parameters, select the desired tab and then select the desired parameters. For details, see [Measurement Parameter Descriptions \(see page 185\)](#).

### See Also

- [About Setting Up Tests \(see page 69\)](#)
- [Measurement Parameter Descriptions \(see page 185\)](#)
- [Before You Click Start \(see page 95\)](#)

## Common Test Parameters and Values (MHL Receiver)

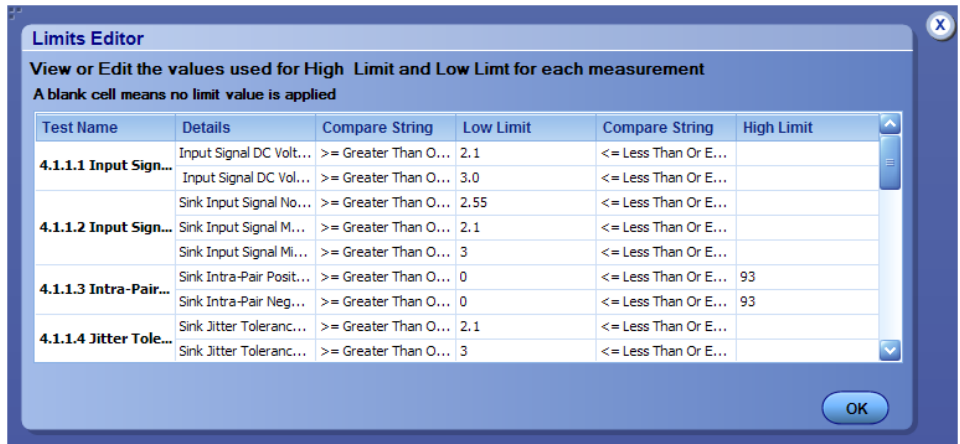
The following table lists the measurement parameters common to all tests. For a more detailed breakdown of which parameters apply to what tests, see [Measurement Parameter Descriptions \(see page 185\)](#).

**Table 17: Common parameters and values**

Parameter type	Parameter and default value
Mode	Only <b>Compliance</b> mode is supported. Test parameter values cannot be edited.
Global Settings	Real Time Scope: This is a global setting that will be used for all tests and that stays in effect until you change it. This applies to all tests selected for the current run. Signal Source: This is a global setting that will be used for all tests and which holds the AWG address.
Measurements	Settings here apply to the test selected in the test list. Available measurement tabs (parameter categories) vary by test.

Table 17: Common parameters and values (cont.)

Parameter type	Parameter and default value
Limits	Shows the upper and lower limits for the applicable measurement using different types of comparisons. You can edit the limit settings by clicking on the <b>Limits Editor</b> button in the upper right corner of the Configuration panel.



Scope Settings	All test include following option: <ul style="list-style-type: none"> <li>■ VTerm (V): VTerm voltage of fixture.</li> </ul>
AWG Settings	These vary by test, but all include at least the following: <ul style="list-style-type: none"> <li>■ Data streams (KHz): Data Stream of AWG Pattern</li> <li>■ Diff Rise/Fall Time (ps): Differential Rise/Fall Time of AWG Pattern</li> <li>■ CM Rise/Fall Time (ps): Common Mode Rise/Fall Time of AWG Pattern</li> </ul>

**See Also**

- [Configure Tests \(see page 83\)](#)

## Configure Email Notification

Set up these email settings if you want the application to notify you by email when a test completes or produces an error. Configure email from the Options menu.

1. From the **Options** menu in the upper right corner, select **Email Settings** to open the Email Settings dialog box, or click the **Preferences** tab on the Setup panel.

2. (Required) For **Recipient email Address(es)**, enter your email address. You can include multiple addresses as long as you separate the addresses with commas.
3. (Required) For **Sender's Address**, enter the email address used by the instrument. This address consists of the instrument name, followed by an underscore, followed by the instrument serial number, the @ symbol, and the email server used. For example: DPO72004C\_B130099@yourcompany.com.
4. (Required) In the **Server Configuration** section, type the SMTP Server address of the Mail server configured at the client location, and the SMTP Port number, in the corresponding fields.

If this server requires password authentication, enter a valid login name, password, and host name in the corresponding fields.

---

**NOTE.** *If any of the above required fields are left blank, the settings will not be saved and email notifications will not be sent.*

---

5. In the **Email Attachments** section, select from the following options:
  - **Reports:** Select to receive the test report with the notification email.
  - **Status Log:** Select to receive the test status log with the notification email. If you select this option, then also select whether you want to receive the full log or just the last 20 lines.

---

**NOTE.** *The ScoreCard and Analysys Screenshot options are not available in MHL.*

---

6. In the **Email Configuration** section, select as desired:
  - Select the message file format to send: HTML (the default) or plain text.
  - Enter a maximum file size for the email message. Messages with attachments larger than this limit will not be sent. The default is 5 MB.
  - To limit the number of attempts the system makes to send a notification, enter the number in the **Number of Attempts to Send** field. The default is 1. You can also specify a timeout.
7. Select the **Email Test Results when complete or on error** check box. Use this check box to quickly enable or disable email notifications.
8. To test your email settings, click **Test Email**.
9. To apply your settings, click **Apply**.
10. Click **Close** to exit the Email Settings dialog box.

## Before You Click Start (MHL Transmitter)

### Before Running a Test for the First time

Before you run a test for the first time, review these steps:

1. Understand where your test files are stored on the instrument.

After you install and launch TekExpress MHL, it creates the following folders on the oscilloscope:

- \Program Files\Tektronix\TekExpress\TekExpress MHL (for WINXP scopes)
- \Program Files (x86)\Tektronix\TekExpress\TekExpress MHL (for WIN7 scopes)
- \My Documents\My TekExpress\MHL
- \My Documents\My TekExpress\MHL\Untitled Session

Every time you launch TekExpress MHL.exe, an Untitled Session folder is created in the MHL folder. The Untitled Session folder is automatically deleted when you exit the MHL application.



**CAUTION.** Do not modify any of the session files or folders because this may result in loss of data or corrupted session files. Each session has multiple files associated with it. When you save a session, a .TekX file, and a folder named for the session that contains the associated files, is created on the oscilloscope X: drive.

---

2. [Map the shared My TekExpress folder as X: \(see page 187\)](#)

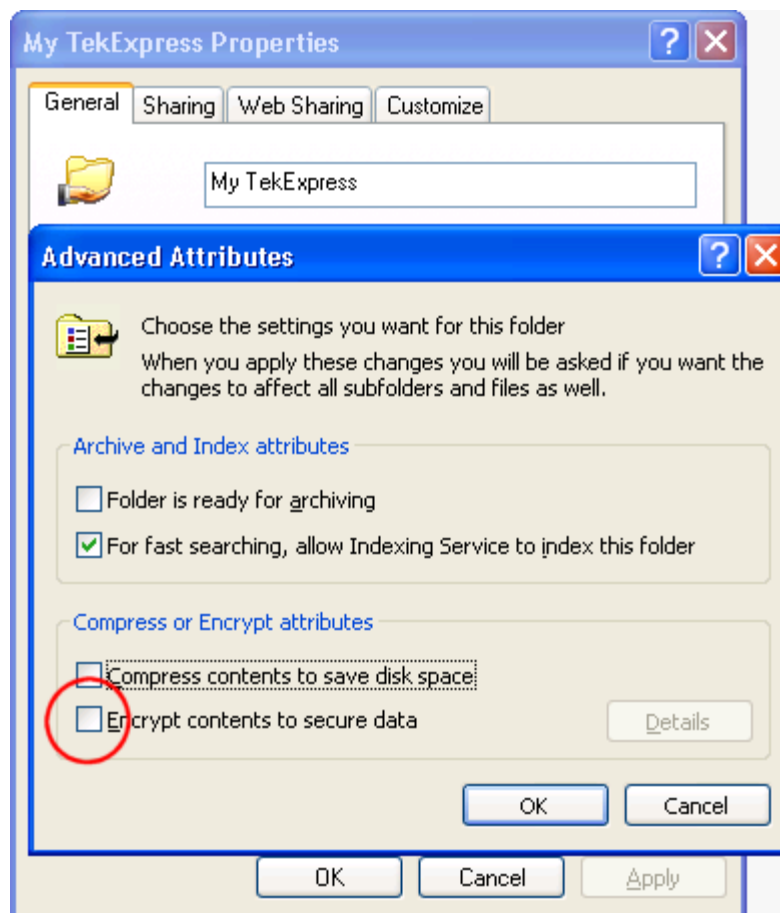
---

**NOTE.** If the X: drive is mapped to any other shared folder, the application will display a warning message asking you to disconnect the X: drive manually.

---

3. Ensure that the **My TekExpress** folder has read and write access, and that the contents are not set to be encrypted:
  - a. Right-click the folder and select **Properties**.
  - b. Select the **General** tab and then click **Advanced**.
  - c. In the Advanced Attributes dialog box, ensure that the option **Encrypt contents to secure data** is NOT selected.

Example:



4. Review the [Pre Run Check List \(see page 89\)](#).

### Before running any test

Before running any test, review the [Pre Run Check List \(see page 89\)](#) and then click Start to perform the tests. The application acquires and analyzes the data, then displays a report when the tests are complete. While the tests are running, other applications may display windows in the background. The TekScope application takes precedence over other applications, but you can switch to other applications using the Alt+Tab key combination. To keep the TekExpress MHL application on top, select Keep On Top from the Options menu in the upper right corner.

### See Also

- [Configuring Tests \(see page 63\)](#)
- [About Setting Up Tests \(see page 45\)](#)



- [View Test-Related Files \(see page 94\)](#)

## Pre-Run Check List (MHL Transmitter)

Do the following before you click Start to run a test. If this is the first time you are running a test on a setup, then refer also to the guidelines above.

1. Ensure that all the required instruments are properly warmed up (about 20 minutes).
2. Perform the Signal Path Compensation (SPC).
  - a. On the oscilloscope main menu, select the **Utilities** menu.
  - b. Select **Instrument Calibration**.
3. Deskew any cables.
4. Ensure that the application is able to find the DUT. If it cannot, [perform a search for connected instruments \(see page 51\)](#).

To find the DUT:

- a. Launch the TekExpress MHL application.
- b. Select the **Setup** panel and then click the **DUT** tab. For **Suite**, select MHL Transmitter.
- c. Click the **Test Selection** tab. Select any test and then click **Configure**.
- d. In the Configuration section, click **Global Settings**.
- e. In the Instruments Detected section, click in the shaded area opposite Real Time Scope and make sure that the oscilloscope with the (GPIB8::1::INSTR) designation is in the drop-down list.

## View the Progress of Analysis (MHL Transmitter)

The [Status panel \(see page 33\)](#) displays a record of the test as it is executed. By default, the application switches to this panel after you click the Start button to run a test. You can choose from the following two views by selecting the named tab, even while a test is in progress.

Test Status

The Test Status tab presents a collapsible table with information about each test as it is running. To collapse and expand the table rows, click the expand (+)/(−) collapse button.

**Table 18: Status tab table**

Column	Description
Test Name	Name of the test
Acquisition	Describes the type of data being acquired

Column	Description
Acquire Status	Progress of the acquisition: <ul style="list-style-type: none"> <li>■ To be started</li> <li>■ Started Acquisition</li> <li>■ Completed Acquisition</li> <li>■ Pre-Recorded Mode</li> </ul>
Analysis Status	Progress state of the analysis: <ul style="list-style-type: none"> <li>■ To be started</li> <li>■ In Progress</li> <li>■ Completed</li> <li>■ Aborted</li> </ul>

### Log View

The Log View tab provides a list of actions that happen as the test executes. You can use this tab to review or troubleshoot tests.

**Table 19: Log View options**

Item	Description
Message History	This window time-stamps and displays all run messages.
Show Detailed Log	Select this check box to record a detailed history of test execution.
Auto Scroll	Select this check box to have the program automatically scroll down as information is added to the log during test execution.
Clear Log	Click this button to clear all messages in the Message History area.
Save	Use to save the log file as a text file for examination. Displays a standard Save File window and saves the status messages file that you specify.


### See Also

- [View Test Results \(see page 91\)](#)

## View Test Results (MHL Transmitter)

When a test completes running, the application switches to the [Results panel \(see page 36\)](#) where you can view a summary of test results.

Each test result occupies a row in the Results table. By default, results are displayed in summary format, with the measurement details collapsed, and with the Pass/Fail column visible. You can change the view in the following ways:

- To expand all test rows listed, from the Preferences menu in the upper right corner, select **View Results Details**.
- To expand a collapsed test row, click the plus button (+) to the left of the test row.
- To collapse all expanded test rows, select **Preferences > View Results Summary**.
- To collapse a single expanded test row, click the minus button (-) to the left of the test row.
- To remove or restore the Pass/Fail column, select **Preferences > Show Pass/Fail**.
- To enable or disable the wordwrap feature, select **Preferences > Enable Wordwrap**.
- To expand the width of a column, place the cursor over the vertical line that separates the column from the one to the right. When the cursor changes to a double-ended arrow, hold down the mouse button and drag the column to the desired width.
- To sort the test information by column, click the column head. When sorted in ascending order, a small up arrow is displayed. When sorted in descending order, a small down arrow is displayed.
- To clear all test results displayed, click **Clear** ().

### See Also

- [View a Report \(see page 91\)](#)
- [View the Progress of Analysis \(see page 89\)](#)

## View a Report (MHL Transmitter)

After the analysis, a report is automatically generated and displayed in your Web browser, as long as the **View Report After Generating** check box in the Reports panel has been selected prior to running the test (it is normally selected by default). If you unchecked this option before running a test but now would like to view the report, then when analysis is complete, click the **Browse** button at the top of the Reports panel and navigate to the report file.

You can view any report by locating and opening the report file, which ends in .mht unless you changed the file type before running the report. For information on changing the file type, file name, and other report options, see [Select Report Options \(see page 68\)](#).

## Report Contents

The top of the report displays information about the instruments and probes used, the duration of the test, software versions, and some summary test information. Below that is a table that shows the test name, measurement details, various measurements, test result (pass/fail), Compliance Mode status (Yes/No), and analysis time. Additional test parameter information that does not fall into the other columns is put in the Comments column.

By default, the test report file is located in the session folder to which it belongs, and gets overwritten each time you run the test under the same device name if you don't change the test report name before running the test. Here, you can view a Report example.

mhtml:file:///C:/Documents and Settings/jberek/Local Settings/Temporary Internet Files/Content.O - Windows Internet Explorer

C:\Documents and Settings\jberek\Local Settings\Temporary Internet Files\Content.Outlook\XXUPPMSC\DUT001.mht

File Edit View Favorites Tools Help

3. Syracuse, N.Y. - 10 Cities ... Inbox (1) - jbcm01@judyb... mhtml:file:///C:/Document...

**Tektronix**  
Enabling Innovation

DUT ID : PI\_Functional  
Date/Time : March 07, 2012 / 22:09:21

Scope Model : DSA72004C  
Probe1 Model : "P7313SMA"  
Probe2 Model : "P7313SMA"  
Probe3 Model : "P7240"

**TekExpress MHL**  
**MHL Transmitter Test Report**

Device Type : MHL Physical Layer Solution  
Execution Time : 12 Min

MOI / CTS / UTD / Spec Version :  
Overall Compliance Mode :  
Overall Test Result :

Scope FW Version : 6.2.0.DEV.BUILD.26  
SPC / Factory Calibration :  
TekExpress Version : TekExpress MHL: 1.0.1.148, Framework: 2.0.0.204  
DPOJET Version : "3.5.0 Build 17"

Test Name	Measurement Details	Tbit	VTerm	Low Limit	Measured value	High Limit	Margin	Units	Test Result	Compliance Mode	Execution Time
3.1.1.2 Single-ended High Level Voltage-VSE_HIGH	Single-ended Positive High Level Voltage at VTerm(Min)	449.38 ps	3.135 V	>= 2595	2695.9447	<= 3145	100.9447, 449.0553	mV	Pass	Yes	2 Min
	Single-ended Negative High Level Voltage at VTerm(Min)	449.38 ps	3.135 V	>= 2595	2681.2553	<= 3145	80.2553, 483.7447	mV			
	Single-ended Positive High Level Voltage at VTerm(Max)	449.38 ps	3.465 V	>= 2925	3025.6191	<= 3475	100.6191, 449.3809	mV			
	Single-ended Negative High Level Voltage at VTerm(Max)	449.38 ps	3.465 V	>= 2925	3011.1106	<= 3475	80.1106, 483.8894	mV			
3.1.1.3 Single-ended Low Level Voltages-VSE_LOW	Single-ended Positive Low Level Voltage at VTerm(Min)	449.39 ps	3.135 V	>= 1375	1839.2533	<= 2435	484.2533, 595.7467	mV	Pass	Yes	3 Min
	Single-ended Negative Low Level Voltage at VTerm(Min)	449.39 ps	3.135 V	>= 1375	1874.7830	<= 2435	499.783, 560.217	mV			
	Single-ended Positive Low Level Voltage at VTerm(Max)	449.39 ps	3.465 V	>= 1705	2183.1830	<= 2785	478.183, 561.817	mV			
	Single-ended Negative Low Level Voltage at VTerm(Max)	449.39 ps	3.465 V	>= 1705	2190.7810	<= 2785	485.781, 574.219	mV			
3.1.1.8 Differential Intra-Pair Skew-TSKEW_DF	Differential Intra-Pair Skew at Rising Edge at VTerm(Min)	449.39 ps	3.135 V	-	11.1818	<= 50	38.8182	ps	Pass	Yes	6 Min
	Differential Intra-Pair Skew at Falling Edge at VTerm(Min)	449.39 ps	3.135 V	-	11.8735	<= 50	38.1265	ps			
	Differential Intra-Pair Skew at Rising Edge at VTerm(Max)	449.39 ps	3.465 V	-	11.8397	<= 50	38.1603	ps			
	Differential Intra-Pair Skew at Falling Edge at VTerm(Max)	449.39 ps	3.465 V	-	7.9434	<= 50	42.0566	ps			

[Single-ended High Level Voltage at VTerm\(Min\), TBit 449.38 ps](#)

TekExpress MHL Transmitter

**See Also**

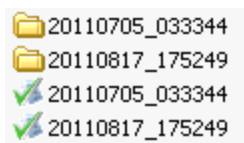
- [View Test Results \(see page 91\)](#)
- [View Test-Related Files \(see page 94\)](#)

## View Test-Related Files (MHL Transmitter)

Files related to MHL Transmitter tests are stored in the MHL folder under the My TekExpress shared folder. In the MHL folder, each test setup has a test setup file and a test setup folder, both with the test setup name. The test setup file is preceded by the MHL icon and usually has no file extension displayed.

Inside the test setup folder is another folder named for the DUT ID used in the test sessions (the default is DUT001).

Inside the DUT001 folder are the session folders and files. Each session has a folder and file pair, both named for the test session using the naming convention (date)\_(time). Each session file is stored outside of its matching session folder.



Each session folder contains image files of any plots generated by the test session, and any waveform files if prerecorded waveform files were used during the session.

The first time you run a new, unsaved session, the session files are stored in the Untitled Session folder located at `.. \My TekExpress \MHL`. Once you name and save the session, the Untitled Session folder name is changed to the one you specified.

---

**NOTE.** By default, test report files are saved in the session folder. You can [change the report file location \(see page 68\)](#) for a specific test.

---

### See Also

- [File Name Extensions \(see page 12\)](#)

## Before You Click Start (MHL Receiver)

After selecting and configuring the tests, before you click **Start**, do one of the following:

### Before Running a Test for the First Time

Before you run a test for the first time, review these steps:

1. Understand where your test files are stored on the instrument.

After you install and launch TekExpress MHL, it creates the following folders on the oscilloscope:

- \Program Files\Tektronix\TekExpress\TekExpress MHL (for WINXP scopes)
- \Program Files (x86)\Tektronix\TekExpress\TekExpress MHL (for WIN7 scopes)
- \My Documents\My TekExpress\MHL
- \My Documents\My TekExpress\MHL\Untitled Session

Every time you launch TekExpress MHL.exe, an **Untitled Session** folder is created in the MHL folder. The **Untitled Session** folder is automatically deleted when you exit the MHL application.



---

**CAUTION.** Do not modify any of the session files or folders because this may result in loss of data or corrupted session files. Each session has multiple files associated with it. When you save a session, a .TekX file, and a folder named for the session that contains the associated files, is created on the oscilloscope X: drive.

---

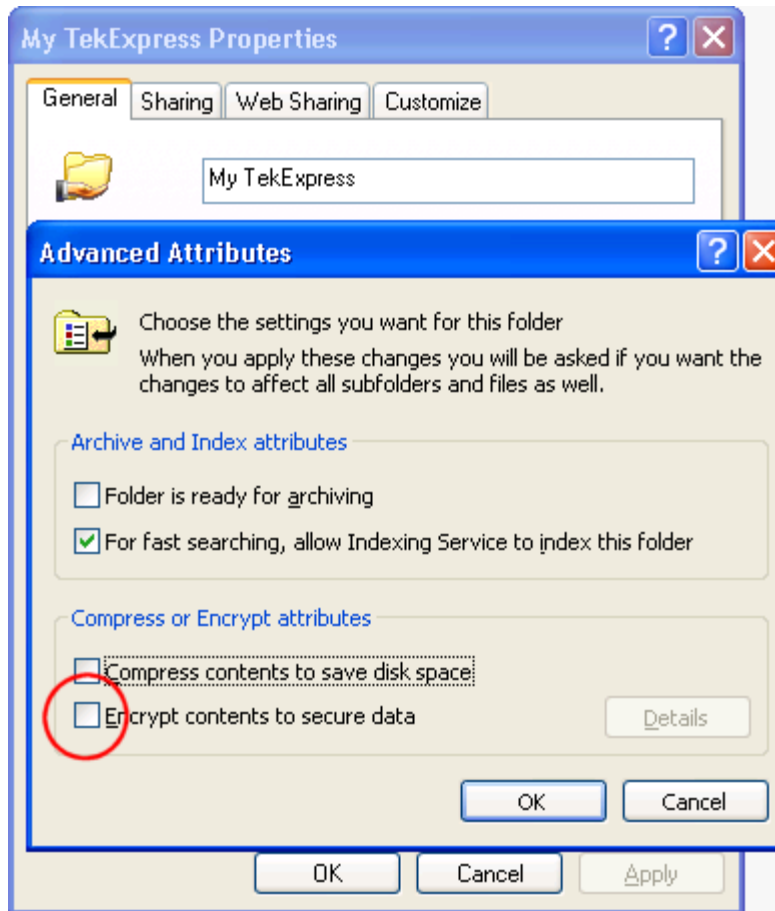
2. [Map the shared My TekExpress folder as X: \(see page 187\)](#)

---

**NOTE.** If the X: drive is mapped to any other shared folder, the application will display a warning message asking you to disconnect the X: drive manually.

---

3. Ensure that the **My TekExpress** folder has read and write access, and that the contents are not set to be encrypted.
  - a. Right-click the folder and select **Properties**.
  - b. Select the **General** tab and then click **Advanced**.
  - c. In the Advanced Attributes dialog box, ensure that the option **Encrypt contents to secure data** is NOT selected. Example:



4. Review the [Pre Run Check List \(see page 97\)](#).

### Before Running Any Test

Before you run any test, review the [Pre Run Check List \(see page 97\)](#) and then click **Start** to perform the tests. The application acquires and analyzes the data, then displays a report when the tests are complete. While the tests are running, other applications may display windows in the background. The TekScope application takes precedence over other applications, but you can switch to other applications using the Alt+Tab key combination. To keep the TekExpress MHL application on top, select **Keep On Top** from the **Options** menu in the upper right corner.

### See Also

- [Configuring Tests \(see page 83\)](#)
- [About Setting Up Tests \(see page 69\)](#)



- [View Test-Related Files \(see page 101\)](#)

## Pre-Run Check List (MHL Receiver)

Do the following before you click **Start** to run a test. If this is the first time you are running a test on a setup, then refer also to the guidelines above.

1. Ensure that all the required instruments are properly warmed up (about 20 minutes).
2. Perform the Signal Path Compensation (SPC).
  - a. On the oscilloscope main menu, select the **Utilities** menu.
  - b. Select **Instrument Calibration**.
3. Deskew any cables.
4. Ensure that the application is able to find the DUT. If it cannot, [perform a search for connected instruments \(see page 51\)](#).

To find the DUT:

- a. Launch the TekExpress MHL application.
- b. Select the **Setup** panel, then click the **DUT** tab. For **Suite**, select MHL Receiver.
- c. In the **Configuration** section, click **Global Settings**.
- d. In the **Instruments Detected** section, click in the shaded area opposite Real Time Scope and make sure that the oscilloscope with the (GPIB8::1::INSTR) designation is in the drop-down list.

## View the Progress of Analysis (MHL Receiver)

The [Status panel \(see page 33\)](#) displays a record of the test as it is executed. By default, the application switches to this panel after you click the **Start** button to run a test. You can choose from the following two views by selecting the named tab, even while a test is in progress.

Test Status

The **Test Status** tab presents a collapsible table with information about each test as it is running. To collapse and expand the table rows, click the expand (+)/(=) collapse button.

**Table 20: Status tab table**

Column	Description
Test Name	Name of the test
Acquisition	Describes the type of data being acquired

Column	Description
Acquire Status	Progress of the acquisition: <ul style="list-style-type: none"> <li>■ To be started</li> <li>■ Started Acquisition</li> <li>■ Completed Acquisition</li> <li>■ Pre-Recorded Mode</li> </ul>
Analysis Status	Progress state of the analysis: <ul style="list-style-type: none"> <li>■ To be started</li> <li>■ In Progress</li> <li>■ Completed</li> <li>■ Aborted</li> </ul>

### Log View

The **Log View** tab provides a list of actions that happen as the test executes. You can use this tab to review or troubleshoot tests.

**Table 21: Log View options**

Item	Description
Message History	This window time-stamps and displays all run messages.
Show Detailed Log	Select this check box to record a detailed history of test execution.
Auto Scroll	Select this check box to have the program automatically scroll down as information is added to the log during test execution.
Clear Log	Click this button to clear all messages in the Message History area.
Save	Use to save the log file as a text file for examination. Displays a standard Save File window and saves the status messages file that you specify.


### See Also

- [View Test Results \(see page 99\)](#)

## View Test Results (MHL Receiver)

When a test completes running, the application switches to the [Results Panel \(see page 37\)](#) where you can view a summary of MHL Receiver test results.

Each test result occupies a row in the **Results** table. By default, results are displayed in summary format, with the measurement details collapsed, and with the Pass/Fail column visible. You can change the view in the following ways:

- To expand all test rows listed, from the **Preferences** menu in the upper right corner, select **View Results Details**.
- To expand a collapsed test row, click the plus button (+) to the left of the test row.
- To collapse all expanded test rows, select **Preferences > View Results Summary**.
- To collapse a single expanded test row, click the minus button (-) to the left of the test row.
- To remove or restore the Pass/Fail column, select **Preferences > Show Pass/Fail**.
- To enable or disable the wordwrap feature, select **Preferences > Enable Wordwrap**.
- To expand the width of a column, place the cursor over the vertical line that separates the column from the one to the right. When the cursor changes to a double-ended arrow, hold down the mouse button and drag the column to the desired width.
- To sort the test information by column, click the column head. When sorted in ascending order, a small up arrow is displayed. When sorted in descending order, a small down arrow is displayed.
- To clear all test results displayed, click **Clear** ().

### See Also

- [View a Report \(see page 100\)](#)
- [View the Progress of Analysis \(see page 97\)](#)

## View a Report (MHL Receiver)


After the analysis, a report is automatically generated and displayed in your Web browser, as long as the **View Report After Generating** check box in the Reports panel has been selected prior to running the test (it is normally selected by default). If you unchecked this option before running a test but now would like to view the report: when analysis is complete, click the **Browse** button at the top of the Reports panel and navigate to the report file.

You can view any report by locating and opening the report file, which ends in .mht unless you changed the file type before running the report. For information on changing the file type, file name, and other report options, see [Reports Panel \(see page 40\)](#).

### Report Contents

The top of the report displays information about the instruments and probes used, the duration of the test, software versions, and some summary test information. Below that is a table that shows the test name, measurement details, various measurements, test result (pass/fail), and analysis time. Additional test parameter information that does not fall into the other columns is put in the Comments column.

By default, the test report file is located in the session folder to which it belongs, and gets overwritten each time you run the test under the same device name if you don't change the test report name before running the test. Here, you can view a Report Example.



**Tektronix**  
Enabling Innovation

TekExpress MHL  
**MHL Receiver Test Report**

DUT ID : DUT001 Date/Time : Dec. 15, 2011 / 09:55:17 Device Type : MHL Physical Layer Solution Execution Time : 2 Min Scope Model : MS072004C Scope Serial Number : C130115 Scope SPC, Factory Calibration : PASS:PASS TekExpress Version : TekExpress MHL: 1.0.1.119, Framework: 2.0.0.197	MOI / CTS / UTD / Spec Version : CTS 1.X Overall Compliance Mode : Yes Overall Test Result : <span style="color: green;">PASS</span> AWG Model : AWG7122C AWG Serial Number : B030247 AWG FW Version : 4.1.1.5 AWG Calibration : N/A
--	--

Test Name	Measurement Details	Test Result	Compliance Mode	Execution Time	Comments
4.1.1.2 Input Signal Minimum and Maximum Swing Voltages Tolerance	Sink Input Signal Nominal Swing Voltage at Resolution 27 MHz	Pass	Yes	1 Min	
	Sink Input Signal Maximum Swing Voltage at Resolution 27 MHz				
	Sink Input Signal Minimum Swing Voltage at Resolution 27 MHz				
5.1.1.2 Input Signal Minimum and Maximum Swing Voltages Tolerance	Dongle Input Signal Nominal Swing Voltage at Resolution 27 MHz	Pass	Yes	1 Min	
	Dongle Input Signal Maximum Swing Voltage at Resolution 27 MHz				
	Dongle Input Signal Minimum Swing Voltage at Resolution 27 MHz				

### See Also

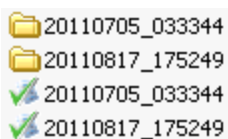
- [View Test Results \(see page 99\)](#)
- [View Test-Related Files \(see page 101\)](#)

## View Test-Related Files (MHL Receiver)

Files related to MHL Receiver tests are stored in the MHL folder under the My TekExpress shared folder. In the MHL folder, each test setup has a test setup file and a test setup folder, both with the test setup name. The test setup file is preceded by the MHL icon and usually has no file extension displayed.

Inside the test setup folder is another folder named for the DUT ID used in the test sessions (the default is DUT001).

Inside the DUT001 folder are the session folders and files. Each session has a folder and file pair, both named for the test session using the naming convention (date)\_(time). Each session file is stored outside of its matching session folder.



Each session folder contains image files of any plots generated by the test session, and any waveform files if prerecorded waveform files were used during the session.

The first time you run a new, unsaved session, the session files are stored in the **Untitled Session** folder located at `.. \My TekExpress\MHL`. Once you name and save the session, the Untitled Session folder name is changed to the one you specified.

---

**NOTE.** *By default, test report files are saved in the session folder. You can [change the report file location \(see page 40\)](#) for a specific test.*

---

### See Also

- [File Name Extensions \(see page 12\)](#)



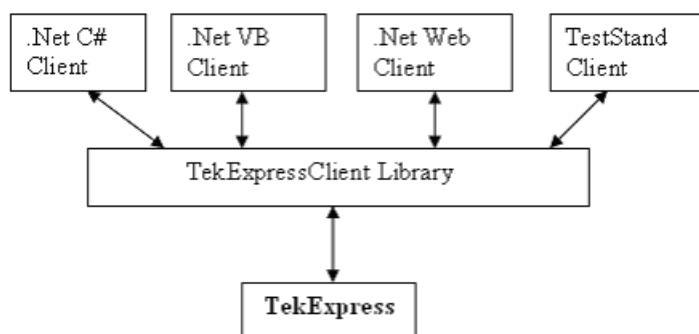
## About the Programmatic Interface

The Programmatic interface allows you to seamlessly integrate the TekExpress test automation application with the high-level automation layer. This also allows you to control the state of the TekExpress application running on a local or a remote computer.

For simplifying the descriptions, the following terminologies are used in this section:

- **TekExpress Client:** A high-level automation application that communicates with TekExpress using TekExpress Programmatic Interface.
- **TekExpress Server:** The TekExpress application when being controlled by TekExpress Client.

TekExpress leverages .Net Marshalling to enable the Programmatic Interface for TekExpress Client. TekExpress provides a client library for TekExpress clients to use the programmatic interface. The TekExpress client library is inherited from .Net MarshalByRef class to provide the proxy object for the clients. The TekExpress client library maintains a reference to the TekExpress Server and this reference allows the client to control the server state.



### See Also

- [Requirements for Developing TekExpress Client \(see page 103\)](#)
- [Remote Proxy Object \(see page 105\)](#)
- [Client Proxy Object \(see page 105\)](#)

## Requirements for Developing TekExpress Client

While developing TekExpress Client, use the TekExpressClient.dll. The client can be a VB .Net, C# .Net, TestStand or Web application. The examples for interfaces in each of these applications are in the `Samples` folder.

## References Required

- *TekExpressClient.dll* has an internal reference to *Iidlglib.dll* and *IRemoteInterface.dll*.
- *Iidlglib.dll* has a reference to *TekDotNetLib.dll*.
- *IRemoteInterface.dll* provides the interfaces required to perform the remote automations. It is an interface that forms the communication line between the server and the client.
- *Iidlglib.dll* provides the methods to generate and direct the secondary dialog messages at the client-end.

---

**NOTE.** *The end-user client application does not need any reference to the above mentioned DLL files. It is essential to have these DLLs (IRemoteInterface.dll, Iidlglib.dll and TekDotNetLib.dll) in the same folder as that of TekExpressClient.dll.*

---

## Required Steps for a Client

The following are the steps that a client needs to follow to use `TekExpressClient.dll` to programmatically control the server:

A client UI must be developed to access the interfaces exposed through the server. This client needs to load `TekExpressClient.dll` to access the interfaces. After `TekExpressClient.dll` is loaded, the client UI can call the specific functions to run the operations requested by the client. When the client is up and running, it must do the following to run a remote operation:

1. The client needs to provide the IP address of the PC at which the server is running in order to connect to the server.
2. The client needs to lock the server application to avoid conflict with any other Client that may try to control the server simultaneously. “Lock” would also disable all user controls on the server so that server state cannot be changed by manual operation. Note that this does not lock the UI.

If any other client tries to access a server that is locked, it will get a notification that the server is locked by another client.

3. When the client has connected to and locked the server, the client can access any of the programmatic controls to run the remote automations.
4. After the client operations are completed, the server needs to be unlocked by the client.

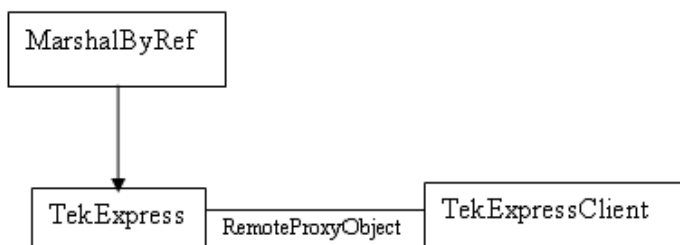
## See Also

- [About MHL Application Commands \(see page 114\)](#)



## Remote Proxy Object

The server exposes a remote object to let the remote client access and perform the server side operations remotely. The proxy object is instantiated and exposed at the server-end through marshalling.



The following is an example:

```

    RemotingConfiguration.RegisterWellKnownServiceType (typeof (TekExpressRemoteInterface), "TekExpress Remote interface", WellKnownObjectMode.Singleton);
    
```

This object lets the remote client access the interfaces exposed at the server side. The client gets the reference to this object when the client gets connected to the server.

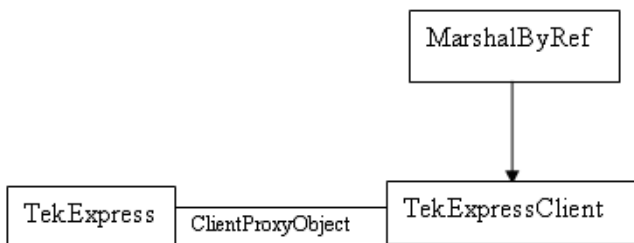
For example,

```

    //Get a reference to the remote object
    remoteObject = (IRemoteInterface)Activator.GetObject(typeof(IRemoteInterface), URL.ToString());
    
```

## Client Proxy Object

Client exposes a proxy object to receive certain information.



For example,

```
//Register the client proxy object
wellKnownServiceTypeEntry[] e = RemotingConfiguration.GetRegisteredWellKnownServiceTypes();

clientInterface = new ClientInterface();

RemotingConfiguration.RegisterWellKnownServiceType(typeof(ClientInterface),
"Remote Client Interface", wellKnownObjectMode.Singleton);

//Expose the client proxy object through marshalling
RemotingServices.Marshal(clientInterface, "Remote Client Inteface");
```

The client proxy object is used for the following:

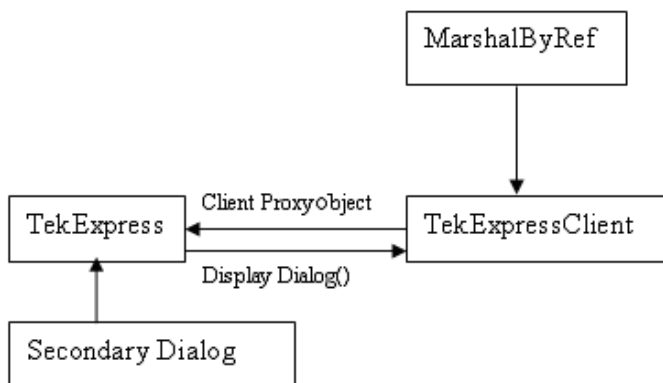
- To get the secondary dialog messages from the server.
- To get the file transfer commands from the server while transferring the report.

Examples

```
clientObject.clientIntf.DisplayDialog(caption, msg, iconType, btnType);
clientObject.clientIntf.TransferBytes(buffer, read, fileLength);
```

For more information, click the topic links listed below.

### Secondary Dialog Message Handling



The secondary dialog messages from the Secondary Dialog library are redirected to the client-end when a client is performing the automations at the remote end.

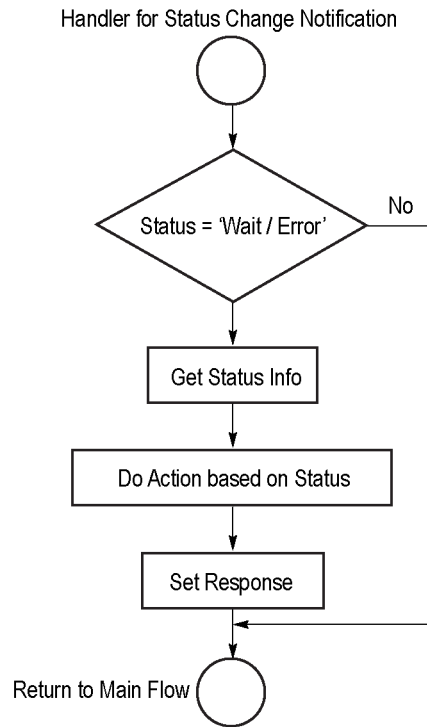
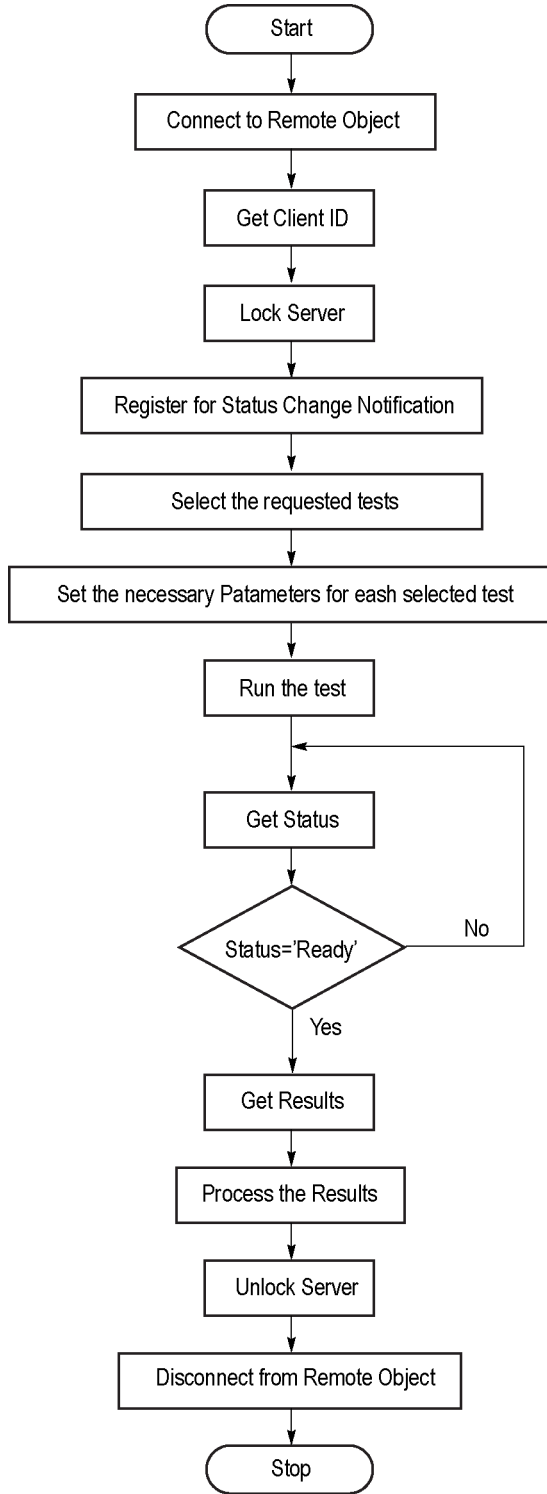
In the secondary dialog library, the assembly that is calling for the dialog box to be displayed is checked and if a remote connection is detected, the messages are directed to the remote end.

### File Transfer Events

When the client requests the transfer of the report, the server reads the report and transfers the file by calling the file transfer methods at the client-end.

## Client Programmatic Interface Example

An example of the client programmatic interface is described and shown as follows:



0643-001

1. Connect to a server or remote object using the programmatic interface provided.
2. Get the client ID that is created when connecting to the remote object. This client ID is one of the required parameters to communicate with the server.

---

**NOTE.** *Server identifies the client with this ID only and rejects any request if the ID is invalid.*

---

3. Lock the server for further operations. This disables the application interface.

---

**NOTE.** *You can get values from the server or set values from the server to the client only if the application is locked.*

---

4. Register for receiving notifications on status change events on the server. To register you need to give a handler as a parameter.

---

**NOTE.** *Whenever there is a change in the status of the server, all the clients registered with the server receive a notification from the server.*

---

5. Select the tests that you want to run through the programmatic interface.
6. Set the necessary parameters for each test.
7. Run the tests.
8. Poll for the status of the application.

---

**NOTE.** *Skip this step if you are registered for the status change notification and when the status is Ready.*

---

9. After completing the tests, get the results.
10. Create a report or display the results and verify or process the results.
11. Unlock the server after you complete all the tasks.
12. Disconnect from the remote object.

### **Handler of Status Change Notification**

1. Get the status. If the status is Wait or Error, get the information that contains the title, message description, and the expected responses for the status.
2. Perform the actions based on the status information.
3. Set the response as expected.

## See Also

- [About MHL Application Commands \(see page 114\)](#)
- [Program Example \(see page 110\)](#)

## Program Example

This program example shows how to communicate between a PC and TekExpress MHL remotely, using typical steps.

For detailed information about each command, see [MHL Application Commands \(see page 114\)](#) section.

### 1. Start the application.

### 2. Connect through an IP address.

```
{'Set String Details
string devicename = "MHL Physical Layer solution"
string suiteName = "MHL Transmitter"
m_Client.Connect("localhost")'True or False
clientID = m_Client.getClientID }
```

### 3. Lock the server.

```
m_Client.LockServer(clientID)
```

### 4. Disable the Popups.

```
m_Client.SetVerboseMode(clientID, False)
```

### 5. Set the DUT ID.

```
m_Client.SetDutId(clientID, "DUT_Name")
```

### 6. Set Pixel Mode.

```
m_Client.SetGeneralParameter(clientID, devicename, suiteName,
string.Empty, "Pixel Mode$24 Bits");
```

### 7. Set Resolutions.

```
m_Client.SetGeneralParameter(clientID, devicename, suiteName,
string.Empty, "24Bits Lowest Resolution (MHz)$25");
m_Client.SetGeneralParameter(clientID, devicename, suiteName,
string.Empty, "24Bits Highest Resolution (MHz)$74.25");
m_Client.SetGeneralParameter(clientID, devicename, suiteName,
string.Empty, "24Bits Number of Other Resolution (Count)$0");
```

### 8. Select Voltage Termination Method.

```
m_Client.SetGeneralParameter(clientID, devicename, suiteName,
string.Empty, "Voltage termination$Internal");
```

#### 9. Set Voltage.

```
m_Client.SetGeneralParameter(clientID, devicename, suiteName,
string.Empty, "VTerm1 (V)$3.1");
```

```
m_Client.SetGeneralParameter(clientID, devicename, suiteName,
string.Empty, "VTerm2 (V)$3.5");
```

#### 10. Select a measurement.

```
m_Client.SelectTest(clientID, devicename, suiteName, "3.1.1.12 MHL Data Eye
Diagram", True)
```

#### 11. Select channels.

```
m_Client.SetGeneralParameter(clientID, devicename, suiteName, String.Empty,
"P7313SMA Diff mode / MHL Positive Connected to$CH1");
```

```
m_Client.SetGeneralParameter(clientID, devicename, suiteName, String.Empty,
"P7313SMA MHL Negative Connected to$CH2");
```

```
m_Client.SetGeneralParameter(clientID, devicename, suiteName,
String.Empty, "P7240 Common Mode Connected to$CH3");
```

#### 12. Configure the selected measurement(Acquire Parameters).

```
m_client.SetAcquireParameter(clientID, devicename, suiteName, "3.1.1.12 MHL
Data Eye Diagram", "Short Record-length for DPOJET$Sample Rate (GS/s)$25")
```

```
m_client.SetAcquireParameter(clientID, devicename, suiteName, "3.1.1.12 MHL
Data Eye Diagram", "Short Record-length for DPOJET$Record Length (M)$12.5")
```

```
m_client.SetAcquireParameter(clientID, devicename, suiteName, "3.1.1.12 MHL
Data Eye Diagram", "Short Record-length for DPOJET$Edge trigger level
(%)$50")
```

```
m_client.SetAcquireParameter(clientID, devicename, suiteName, "3.1.1.12 MHL
Data Eye Diagram", "Short Record-length for DPOJET$Probe attenuation
(X)$12.5")
```

```
m_client.SetAcquireParameter(clientID, devicename, suiteName, "3.1.1.12 MHL
Data Eye Diagram", "Short Record-length for DPOJET$Diff Probe Vertical
Position (Div)$0")
```

```
m_client.SetAcquireParameter(clientID, devicename, suiteName, "3.1.1.12 MHL
Data Eye Diagram", "Short Record-length for DPOJET$Diff Probe Vertical Scale
(mV/Div)$125")
```

```
m_client.SetAcquireParameter(clientID, devicename, suiteName, "3.1.1.12 MHL
Data Eye Diagram", "Short Record-length for DPOJET$CM Probe Vertical
Position (Div)$0")
```

```
m_client.SetAcquireParameter(clientID, devicename, suiteName,"3.1.1.12 MHL
Data Eye Diagram","Short Record-length for DPOJET$CM Probe Vertical Scale
(mV/Div)$80")
```

### 13. Configure the selected measurement(Analyze Parameters).

```
m_client.SetAnalyzeParameter(clientID, devicename, suiteName,"3.1.1.12 MHL
Data Eye Diagram","Reference levels$Absolute")
```

```
m_client.SetAnalyzeParameter(clientID, devicename, suiteName,"3.1.1.12 MHL
Data Eye Diagram","Reference Level - Mid Level (%)$2")
```

```
m_client.SetAnalyzeParameter(clientID, devicename, suiteName,"3.1.1.12 MHL
Data Eye Diagram","Reference Level - Hysteresis (%)$1")
```

```
m_client.SetAnalyzeParameter(clientID, devicename, suiteName,"3.1.1.12 MHL
Data Eye Diagram","PLL model type$2")
```

```
m_client.SetAnalyzeParameter(clientID, devicename, suiteName,"3.1.1.12 MHL
Data Eye Diagram","Clock recovery method$PLL-Custom BW")
```

```
m_client.SetAnalyzeParameter(clientID, devicename, suiteName,"3.1.1.12 MHL
Data Eye Diagram","Clock Multiplier$15")
```

```
m_client.SetAnalyzeParameter(clientID, devicename, suiteName,"3.1.1.12 MHL
Data Eye Diagram","Loop bandwidth (MHz)$4")
```

```
m_client.SetAnalyzeParameter(clientID, devicename, suiteName,"3.1.1.12 MHL
Data Eye Diagram","Clock Edge$RISE")
```

### 14. Run with set configurations.

```
m_Client.Run(clientID)
```

### 15. Wait for the test to complete.

```
Do
```

```
Thread.Sleep(500)
```

```
m_Client.Application_Status(clientID)
```

```
Select Case status
```

```
Case "wait"
```

```
'Get the Current State Information
```

```
mClient.GetCurrentStateInfo(clientID, waitingMsBxCaption, waitingMsBxBMes-
sage, waitingMsBxBButtonTexts)
```

```
'Send the Response
```

```
mClient.SendResponse(clientID, waitingMsBxCaption, waitingMsBxBMessage,
waitingMsBxBResponse)
```

```
End Select
```

```
Loop Until status = "Ready"
```



**16. After the test is complete:**

'Save all results values from folder for current run

```
m_Client.TransferResult(clientID, logDirname)
```

'Save all waveforms from folder for current run

```
m_Client.TransferWaveforms(clientID, logDirname)
```

'Save all images from folder for current run

```
m_Client.TransferImages(clientID, logDirname)
```

**17. Unlock the server.**

```
m_Client.UnlockServer(clientID)
```

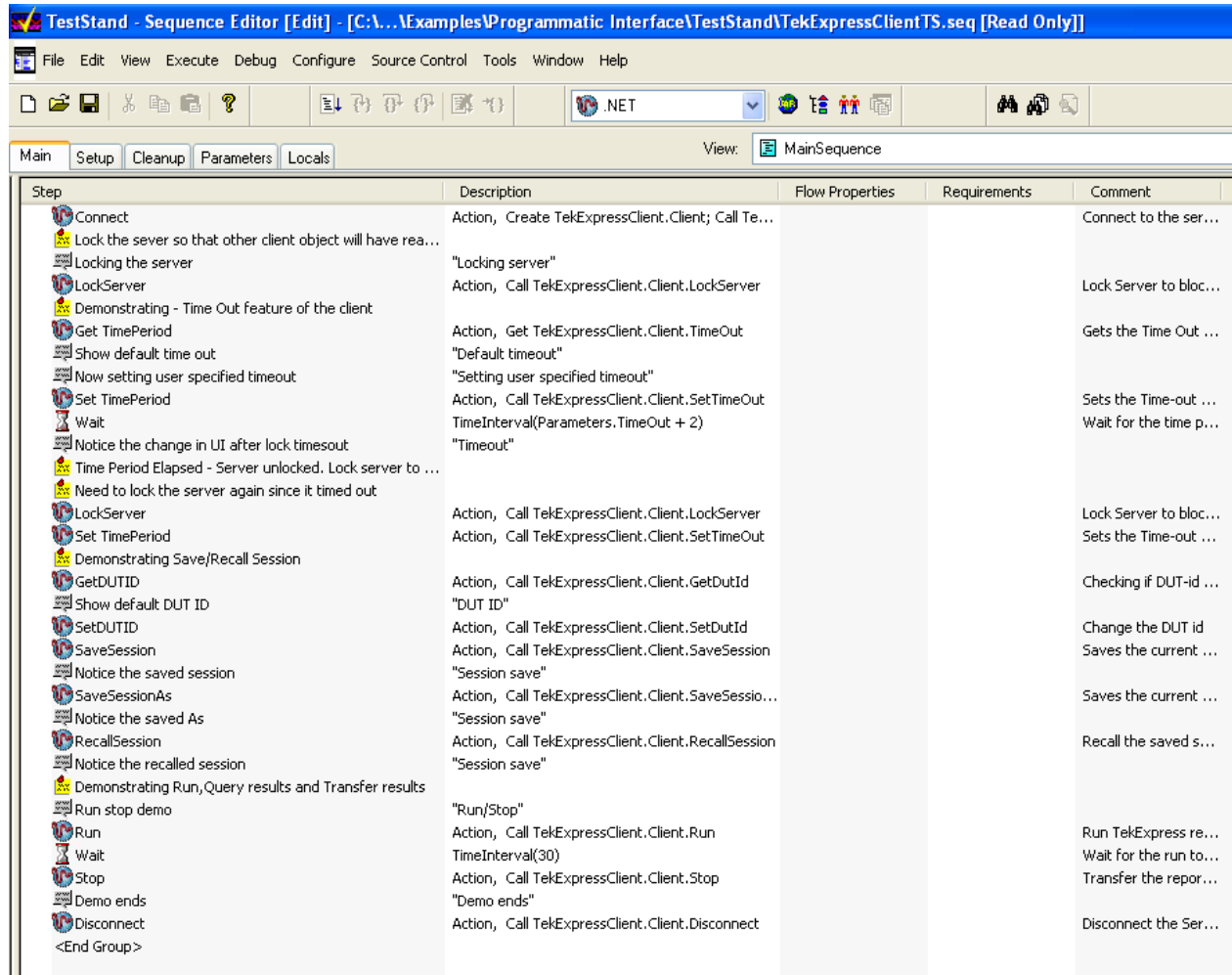
**18. Disconnect from the server.**

```
m_Client.Disconnect()
```

**19. Exit the application.**

## NI TestStand Client Example

The following is an example for NI TestStand Client available in the path: C:\Program Files\Tektronix\TekExpress\TekExpress MHL\Examples\Programmatic Interface\TestStand



## About TekExpress MHL Application Commands

Click a client action below to see the command name, description, parameters, return value, and an example, associated with the action.

[Connect through an IP address \(see page 120\)](#)

[Lock the server \(see page 121\)](#)

[Disable the popups \(see page 122\)](#)

- [Set or get the DUT ID \(see page 123\)](#)
- [Set the configuration parameters for a suite or measurement \(see page 124\)](#)
- [Query the configuration parameters for a suite or measurement \(see page 127\)](#)
- [Select a measurement \(see page 129\)](#)
- [Select a suite \(see page 134\)](#)
- [Set Pixel Mode \(see page 134\)](#)
- [Set Resolution \(see page 135\)](#)
- [Set Termination Source Method \(see page 137\)](#)
- [Set Termination Voltage \(see page 138\)](#)
- [Run with set configurations or stop the run operation \(see page 139\)](#)
- [Handle Error Codes \(see page 140\)](#)
- [Get or set the timeout value \(see page 141\)](#)
- [Wait for the test to complete \(see page 141\)](#)
- [After the test is complete \(see page 144\)](#)
- [Save, recall, or check if a session is saved \(see page 147\)](#)
- [Unlock the server \(see page 148\)](#)
- [Disconnect from server \(see page 148\)](#)

<b>string id</b>			
<b>Name</b>	<b>Type</b>	<b>Direction</b>	<b>Description</b>
id	string	IN	Identifier of the client performing the remote function.
Ready: Test configured and ready to start Running: Test running Paused: Test paused Wait: A popup that needs your inputs Error: An error has occurred			

<b>string dutName</b>			
<b>Name</b>	<b>Type</b>	<b>Direction</b>	<b>Description</b>
dutName	string	IN	The new DUT ID of the setup

**out bool saved**

Name	Type	Direction	Description
saved	bool	OUT	Boolean representing whether the current session is saved

This parameter is used as a check in `SaveSession()` and `SaveSessionAs()` functions.

**string ipAddress**

Name	Type	Direction	Description
ipAddress	string	IN	The ip address of the server to which the client is trying to connect to. This is required to establish the connection between the server and the client.

**out string clientID**

Name	Type	Direction	Description
clientID	string	OUT	Identifier of the client that is connected to the server clientID = unique number + ipaddress of the client. For example, 1065-192.157.98.70

**NOTE.** *If the dutName parameter is null, the client is prompted to provide a valid DUT ID.*

**NOTE.** *The server must be active and running for the client to connect to the server. Any number of clients can be connected to the server at a time.*

**NOTE.** *When the client is disconnected, it is unlocked from the server and then disconnected. The id is reused.*

**string dutId**

Name	Type	Direction	Description
dutId	string	OUT	The DUT ID of the setup

The `dutId` parameter is set after the server processes the request.

<b>string device</b>			
<b>Name</b>	<b>Type</b>	<b>Direction</b>	<b>Description</b>
device	string	IN	Specifies the name of the device

<b>string suite</b>			
<b>Name</b>	<b>Type</b>	<b>Direction</b>	<b>Description</b>
suite	string	IN	Specifies the name of the suite

<b>string test</b>			
<b>Name</b>	<b>Type</b>	<b>Direction</b>	<b>Description</b>
test	string	IN	Specifies the name of the test to obtain the pass or fail status

<b>string parameterString</b>			
<b>Name</b>	<b>Type</b>	<b>Direction</b>	<b>Description</b>
parameterString	string	IN	Selects or deselects a test

<b>int rowNr</b>			
<b>Name</b>	<b>Type</b>	<b>Direction</b>	<b>Description</b>
rowNr	int	IN	Specifies the zero based row index of the sub-measurement for obtaining the result value

**NOTE.** When the client tries to lock a server that is locked by another client, the client gets a notification that the server is already locked and it must wait until the server is unlocked. If the client locks the server and is idle for a certain amount of time then the server is unlocked automatically from that client.

<b>out string[] status</b>			
<b>Name</b>	<b>Type</b>	<b>Direction</b>	<b>Description</b>
status	string array	OUT	The list of status messages generated during run

**string name**

Name	Type	Direction	Description
name	string	IN	The name of the session being recalled

The name parameter cannot be empty. If it is empty, the client is prompted to provide a valid name.

**NOTE.** *When the run is performed, the status of the run is updated periodically using a timer.*

**string name**

Name	Type	Direction	Description
name	string	IN	The name of the session being saved

The name parameter cannot be empty. If it is empty, the client is prompted to provide a valid name.

Once the session is saved under 'name' you cannot use this method to save the session in a different name. Use `SaveSessionAs` instead.

**string name**

Name	Type	Direction	Description
name	string	IN	The name of the session being recalled

The same session is saved under different names using this method. The name parameter cannot be empty. If it is empty, the client is prompted to provide a valid name.

**bool isSelected**

Name	Type	Direction	Description
isSelected	bool	IN	Selects or deselects a test

**string time**

Name	Type	Direction	Description
time	string	IN	The time in seconds that refers to the timeout period

The time parameter gives the timeout period, which is the time the client is allowed to be locked and idle. After the timeout period, if the client is still idle, it gets unlocked.

The time parameter should be a positive integer. Else, the client is prompted to provide a valid timeout period.

**bool\_verbose**

Name	Type	Direction	Description
_verbose	bool	IN	Specifies whether the verbose mode should be turned ON or OFF

**NOTE.** *When the session is stopped, the client is prompted to stop the session and is stopped at the consent.*

**string filePath**

Name	Type	Direction	Description
filePath	string	IN	The location where the report must be saved in the client

**NOTE.** *If the client does not provide the location to save the report, the report is saved at C:\ProgramFiles.*

**NOTE.** *When the client is disconnected, the client is automatically unlocked.*

**out string caption**

Name	Type	Direction	Description
caption	string	OUT	The wait state or error state message sent to you

<b>out string message</b>			
<b>Name</b>	<b>Type</b>	<b>Direction</b>	<b>Description</b>
message	string	OUT	The wait state/error state message to you

<b>out string[] buttonTexts</b>			
<b>Name</b>	<b>Type</b>	<b>Direction</b>	<b>Description</b>
buttonTexts	string array	OUT	An array of strings containing the possible response types that you can send

<b>string response</b>			
<b>Name</b>	<b>Type</b>	<b>Direction</b>	<b>Description</b>
response	string	IN	A string containing the response type that you can select (it must be one of the strings in the string array buttonTexts)

## Connect Through an IP Address

<b>Command name</b>	<b>Parameters</b>	<b>Description</b>	<b>Return value</b>	<b>Example</b>
Connect()	<a href="#">string</a> <a href="#">ipAddress (see page 116)</a> <a href="#">out string</a> <a href="#">clientID (see page 116)</a>	This method connects the client to the server.  <b>Note (see page 116)</b> The client provides the IP address to connect to the server.  The server provides a unique client identification number when connected to it.	Return value is either True or False.	<pre>m_Client = new Client() //m_Client is a reference to the Client class in the Client DLL. returnval as boolean returnval = m_Client.Connect(ipaddress,m_clientID)</pre>



---

**NOTE.** *The Fail condition for PI commands occurs in any of the following cases:*

*The server is LOCKED and the message displayed is "Server is locked by another client".*

*The session is UNLOCKED and the message displayed is "Lock Session to execute the command".*

*The server is NOTFOUND and the message displayed is "Server not found...Disconnect!".*

*When none of these fail conditions occur, then the message displayed is "Failed...".*

---

## Lock the Server

---

**NOTE.** *This method does not lock the UI, but you need this method to set the value that gives the status of the operation after it has been performed.*

---

Command name	Parameters	Description	Return value	Example
LockSession()	<a href="#">out string clientID (see page 116)</a>	This method locks the server. <a href="#">Note (see page 117)</a> The client must call this method before running any of the remote automations. The server can be locked by only one client.	String value that gives the status of the operation after it has been performed. The return value is "Session Locked..." on success.	m_Client = new Client() //m_Client is a reference to the Client class in the Client DLL. returnval as string returnval = m_Client.LockServer(clientID)

---



---

**NOTE.** *The Fail condition for PI commands occurs in any of the following cases:*

*The server is LOCKED and the message displayed is "Server is locked by another client".*

*The session is UNLOCKED and the message displayed is "Lock Session to execute the command".*

*The server is NOTFOUND and the message displayed is "Server not found...Disconnect!".*

*When none of these fail conditions occur, then the message displayed is "Failed...".*

---

## Disable the Popups

Command name	Parameters	Description	Return value	Example
SetVerboseMode()	<a href="#">string clientID</a> (see page 116) <a href="#">bool _verbose</a> (see page 119)	<p>This method sets the verbose mode to either True or False.</p> <p>When the value is set to True, any of the message boxes appearing during the application run will be routed to the client machine that is controlling TekExpress.</p> <p>When the value is set to False, then all the message boxes are shown on the server machine.</p>	<p>String that displays the status of the operation after it has been performed.</p> <p>When Verbose mode is set to True, the return value is "Verbose mode turned on. All dialog boxes will be shown to client ...".</p> <p>When Verbose mode is set to False, the return value is "Verbose mode turned off. All dialog boxes will be shown to server ...".</p>	<pre>m_Client = new Client() //m_Client is a reference to the Client class in the Client DLL. returnval as string <b>Verbose mode is turned on</b> return=m_Client.SetVerbose- Mode(clientID, True) <b>Verbose mode is turned off</b> returnval=m_Client.SetVerbose- Mode(clientID, False)</pre>

---

**NOTE.** *The Fail condition for PI commands occurs in any of the following cases:*

*The server is LOCKED and the message displayed is "Server is locked by another client".*

*The session is UNLOCKED and the message displayed is "Lock Session to execute the command".*

*The server is NOTFOUND and the message displayed is "Server not found...Disconnect!".*

*When none of these fail conditions occur, then the message displayed is "Failed...".*

---

## Set or Get the DUT ID

Command name	Parameters	Description	Return value	Example
SetDutId()	<a href="#">string clientID (see page 116)</a> <a href="#">string dutName (see page 115)</a>	This method changes the DUT ID of the setup. The client must provide a valid DUT ID.	String that gives the status of the operation after it has been performed. Return value is "DUT Id Changed..." on success.	<pre>m_Client = new Client() //m_Client is a reference to the Client class in the Client DLL. returnval as string return=m_Client.SetDutId(clientID,desiredDutId) <a href="#">Note (see page 116)</a></pre>
GetDutId()	<a href="#">string clientID (see page 116)</a> <a href="#">string dutId (see page 116)</a>	This method gets the DUT ID of the current set up.	String that gives the status of the operation after it has been performed.	<pre>m_Client = new Client() //m_Client is a reference to the Client class in the Client DLL. returnval as string return=m_Client.GetDutId(clientID, out DutId)</pre>

---

**NOTE.** *The Fail condition for PI commands occurs in any of the following cases:*

*The server is LOCKED and the message displayed is "Server is locked by another client".*

*The session is UNLOCKED and the message displayed is "Lock Session to execute the command".*

*The server is NOTFOUND and the message displayed is "Server not found...Disconnect!".*

*When none of these fail conditions occur, then the message displayed is "Failed...".*

---

## Set the Configuration Parameters for a Suite or Measurement

Command name	Parameters	Description	Return value	Example
SetGeneralParameter	<a href="#">string clientID (see page 116)</a> <a href="#">string device (see page 117)</a> <a href="#">string suite (see page 117)</a> <a href="#">string test (see page 117)</a> <a href="#">string parameterString (see page 117)</a>	This method sets the general parameters.	String that displays the status of the operation after it has been performed. The return value is "" (an empty String) on success.	<pre>m_Client = new Client() //m_Client is a reference to the Client class in the Client DLL. returnval as string returnval = m_Client.SetGeneralParameter(clientID, device-name, suite-name, string.Empty, parameterstring); <a href="#">SetGeneralParameters Examples (see page 126)</a></pre>
SetAnalyzeParameter()	<a href="#">string clientID (see page 116)</a> <a href="#">string device (see page 117)</a> <a href="#">string suite (see page 117)</a> <a href="#">string test (see page 117)</a> <a href="#">string parameterString (see page 117)</a>	This method sets the parameter values in the Ref Levels and Clock Settings tabs in the test configuration section.	String that displays the status of the operation after it has been performed. The return value is "" (an empty String) on success.	<pre>mClient = new Client() //m_Client is a reference to the Client class in the Client DLL returnval as string Select Analyze parameter: returnval = mClient.SetAnalyzeParameter(clientID, devicename, suite-name, test, parameterstring) <a href="#">SetAnalyzeParameter Examples (see page 125)</a></pre>
SetAcquireParameter()	<a href="#">string clientID (see page 116)</a> <a href="#">string device (see page 117)</a> <a href="#">string suite (see page 117)</a> <a href="#">string test (see page 117)</a> <a href="#">string parameterString (see page 117)</a>	This method sets the parameter values in the Vertical Setup and the Scope Settings tabs in the test configuration section.	String that displays the status of the operation after it has been performed. The return value is "" (an empty string) on success.	<pre>mClient = new Client() //m_Client is a reference to the Client class in the Client DLL returnval as string Set Acquire Parameter: returnval = mClient.SetAcquireParameter(clientID, devicename, suite-name, test, parameter-string) <a href="#">SetAcquireParameter Example (see page 126)</a></pre>

**NOTE.** The Fail condition for PI commands occurs in any of the following cases:

The server is LOCKED and the message displayed is "Server is locked by another client".

The session is UNLOCKED and the message displayed is "Lock Session to execute the command".

The server is NOTFOUND and the message displayed is "Server not found...Disconnect!".

When none of these fail conditions occur, then the message displayed is "Failed...".

**SetAnalyzeParameter Examples**

This example uses MHL test 3.1.1.12 MHL Data Eye Diagram.

<b>Parameter</b>	<b>Example</b>
Reference Level	<code>returnval =mClient.SetAnalyzeParameter(clientID, devicename, suiteName,"3.1.1.12 MHL Data Eye Diagram","Reference levels\$Absolute")</code>
Mid Level	<code>returnval =mClient.SetAnalyzeParameter(clientID, devicename, suiteName,"3.1.1.12 MHL Data Eye Diagram","Reference Level - Mid Level (%)\$2")</code>
Hysteresis	<code>returnval =mClient.SetAnalyzeParameter(clientID, devicename, suiteName,"3.1.1.12 MHL Data Eye Diagram","Reference Level - Hysteresis (%)\$1")</code>
PLL Model Type	<code>returnval =mClient.SetAnalyzeParameter(clientID, devicename, suiteName,"3.1.1.12 MHL Data Eye Diagram","PLL model type\$2")</code>
Clock Recovery Method	<code>returnval =mClient.SetAnalyzeParameter(clientID, devicename, suiteName,"3.1.1.12 MHL Data Eye Diagram","Clock recovery method\$PLL-Custom BW")</code>
Clock Multiplier	<code>returnval =mClient.SetAnalyzeParameter(clientID, devicename, suiteName,"3.1.1.12 MHL Data Eye Diagram","Clock Multiplier\$15")</code>
Loop bandwidth	<code>returnval =mClient.SetAnalyzeParameter(clientID, devicename, suiteName,"3.1.1.12 MHL Data Eye Diagram","Loop bandwidth (MHz)\$4")</code>
Clock Edge	<code>returnval =mClient.SetAnalyzeParameter(clientID, devicename, suiteName,"3.1.1.12 MHL Data Eye Diagram","Clock Edge\$RISE")</code>

<b>SetAcquireParameter Examples</b>	
This configuration example uses MHL test 3.1.1.12 MHL Data Eye Diagram.	
<b>Parameter</b>	<b>Example</b>
Sample Rate (GS/s)	<code>returnval = mClient.SetAcquireParameter(clientID, devicename, suiteName,"3.1.1.12 MHL Data Eye Diagram","Short Record-length for DPOJET\$Sample Rate (GS/s)\$25")</code>
Record Length	<code>returnval = mClient.SetAcquireParameter(clientID, devicename, suiteName,"3.1.1.12 MHL Data Eye Diagram","Short Record-length for DPOJET\$Record Length (M)\$12.5")</code>
Edge Trigger	<code>returnval = mClient.SetAcquireParameter(clientID, devicename, suiteName,"3.1.1.12 MHL Data Eye Diagram","Short Record-length for DPOJET\$Edge trigger level (%)\$50")</code>
Probe Attenuation	<code>returnval = mClient.SetAcquireParameter(clientID, devicename, suiteName,"3.1.1.12 MHL Data Eye Diagram","Short Record-length for DPOJET\$Probe attenuation (X)\$12.5")</code>
Diff Vertical Position	<code>returnval = mClient.SetAcquireParameter(clientID, devicename, suiteName,"3.1.1.12 MHL Data Eye Diagram","Short Record-length for DPOJET\$Diff Probe Vertical Position (Div)\$0")</code>
Diff Vertical Scale	<code>returnval = mClient.SetAcquireParameter(clientID, devicename, suiteName,"3.1.1.12 MHL Data Eye Diagram","Short Record-length for DPOJET\$Diff Probe Vertical Scale (mV/Div)\$125")</code>
CM Vertical Position	<code>returnval = mClient.SetAcquireParameter(clientID, devicename, suiteName,"3.1.1.12 MHL Data Eye Diagram","Short Record-length for DPOJET\$CM Probe Vertical Position (Div)\$0")</code>
CM Vertical Scale	<code>returnval = mClient.SetAcquireParameter(clientID, devicename, suiteName,"3.1.1.12 MHL Data Eye Diagram","Short Record-length for DPOJET\$CM Probe Vertical Scale (mV/Div)\$80")</code>
<b>SetGeneralParameter Examples</b>	
<code>returnval = mClient.SetGeneralParameter(clientID,devicename, suiteName, String.Empty, "P7313SMA Diff mode / MHL Positive Connected to\$CH1");</code>	
<code>returnval = mClient.SetGeneralParameter(clientID, devicename, suiteName, String.Empty, "P7313SMA MHL Negative Connected to\$CH2");</code>	
<code>returnval = mClient.SetGeneralParameter(clientID, devicename, suiteName, String.Empty,"P7240 Common Mode Connected to\$CH3");</code>	

## Query the Configuration Parameters for a Suite or Measurement

Command name	Parameters	Description	Return value	Example
GetGeneralParameter()	<a href="#">string clientID (see page 116)</a> <a href="#">string device (see page 117)</a> <a href="#">string suite (see page 117)</a> <a href="#">string test (see page 117)</a> <a href="#">string parameterString (see page 117)</a>	This method gets the general configuration parameters for a given suite or measurement.	The return value is the general configuration parameter for a given suite or measurement that is set.	<pre>m_Client = new Client() //m_Client is a reference to the Client class in the Client DLL. returnval as string</pre>
GetAnalyzeParameter()	<a href="#">string clientID (see page 116)</a> <a href="#">string device (see page 117)</a> <a href="#">string suite (see page 117)</a> <a href="#">string test (see page 117)</a> <a href="#">string parameterString (see page 117)</a>	This method queries the parameter values in the Ref Level and Clock Settings tabs in the test configuration section.	The return value is the configuration parameter for a given suite or measurement.	<pre>mClient = new Client() //m_Client is a reference to the Client class in the Client DLL returnval as string Get Analyze parameter: returnval = mClient.GetAnalyzeParameter(clientID, devicename, suiteName, test, parameterString) <a href="#">GetAnalyzeParameter Examples (see page 129)</a></pre>
GetAcquireParameter()	<a href="#">string clientID (see page 116)</a> <a href="#">string device (see page 117)</a> <a href="#">string suite (see page 117)</a> <a href="#">string test (see page 117)</a> <a href="#">string parameterString (see page 117)</a>	This method queries the parameter values in the Vertical Setup and Scope Settings tabs in the test configuration section.	The return value is the configuration parameter for a given suite or measurement.	<pre>mClient = new Client() //m_Client is a reference to the Client class in the Client DLL returnval as string Get Acquire Parameter: returnval = mClient.GetAcquireParameter(clientID, devicename, suiteName, test, parameterString) <a href="#">GetAcquireParameter Examples (see page 128)</a></pre>

**NOTE.** The Fail condition for PI commands occurs in any of the following cases:

The server is LOCKED and the message displayed is "Server is locked by another client".

The session is UNLOCKED and the message displayed is "Lock Session to execute the command".

The server is NOTFOUND and the message displayed is "Server not found...Disconnect!".

When none of these fail conditions occur, then the message displayed is "Failed...".

**GetAcquireParameter Examples**

This example uses MHL test 3.1.1.12 MHL Data Eye Diagram.

<b>Parameter</b>	<b>Example</b>
Sample Rate (GS/s)	<code>returnval = mClient.GetAcquireParameter(clientID, devicename, suiteName,"3.1.1.12 MHL Data Eye Diagram","Short Record-length for DPOJET\$Sample Rate (GS/s)")</code>
Record Length	<code>returnval = mClient.GetAcquireParameter(clientID, devicename, suiteName,"3.1.1.12 MHL Data Eye Diagram","Short Record-length for DPOJET\$Record Length (M)")</code>
Edge Trigger	<code>returnval = mClient.GetAcquireParameter(clientID, devicename, suiteName,"3.1.1.12 MHL Data Eye Diagram","Short Record-length for DPOJET\$Edge trigger level (%)")</code>
Probe Attenuation	<code>returnval = mClient.GetAcquireParameter(clientID, devicename, suiteName,"3.1.1.12 MHL Data Eye Diagram","Short Record-length for DPOJET\$Probe attenuation (X)")</code>
Diff Probe Vertical Position	<code>returnval = mClient.GetAcquireParameter(clientID, devicename, suiteName,"3.1.1.12 MHL Data Eye Diagram","Short Record-length for DPOJET\$Diff Probe Vertical Position (Div)")</code>
Diff Probe Vertical Scale	<code>returnval = mClient.GetAcquireParameter(clientID, devicename, suiteName,"3.1.1.12 MHL Data Eye Diagram","Short Record-length for DPOJET\$Diff Probe Vertical Scale (mV/Div)")</code>
CM Probe Vertical Position	<code>returnval = mClient.GetAcquireParameter(clientID, devicename, suiteName,"3.1.1.12 MHL Data Eye Diagram","Short Record-length for DPOJET\$CM Probe Vertical Position (Div)")</code>
CM Probe Vertical Scale	<code>returnval = mClient.GetAcquireParameter(clientID, devicename, suiteName,"3.1.1.12 MHL Data Eye Diagram","Short Record-length for DPOJET\$CM Probe Vertical Scale (mV/Div)")</code>



**GetAnalyzeParameter Examples**

This example uses MHL test 3.1.1.12 MHL Data Eye Diagram.

Parameter	Example
Reference Level	returnval =mClient.GetAnalyzeParameter(clientID, devicename, suiteName,"3.1.1.12 MHL Data Eye Diagram","Reference levels")
Mid Level	returnval =mClient.GetAnalyzeParameter(clientID, devicename, suiteName,"3.1.1.12 MHL Data Eye Diagram","Reference Level - Mid Level (%)")
Hysteresis	returnval =mClient.GetAnalyzeParameter(clientID, devicename, suiteName,"3.1.1.12 MHL Data Eye Diagram","Reference Level - Hysteresis (%)")
PLL Model Type	returnval =mClient.GetAnalyzeParameter(clientID, devicename, suiteName,"3.1.1.12 MHL Data Eye Diagram","PLL model type")
Clock Recovery Method	returnval =mClient.GetAnalyzeParameter(clientID, devicename, suiteName,"3.1.1.12 MHL Data Eye Diagram","Clock recovery method")
Clock Multiplier	returnval =mClient.GetAnalyzeParameter(clientID, devicename, suiteName,"3.1.1.12 MHL Data Eye Diagram","Clock Multiplier")
Loop Bandwidth	returnval =mClient.GetAnalyzeParameter(clientID, devicename, suiteName,"3.1.1.12 MHL Data Eye Diagram","Loop bandwidth (MHz)")
Clock Edge	returnval =mClient.GetAnalyzeParameter(clientID, devicename, suiteName,"3.1.1.12 MHL Data Eye Diagram","Clock Edge")

**Select a Measurement**

Command name	Parameters	Description	Return value	Example
SelectTest()	<a href="#">string clientID (see page 116)</a> <a href="#">string device (see page 117)</a> <a href="#">string suite (see page 117)</a> <a href="#">string test (see page 117)</a> <a href="#">bool isSelected (see page 118)</a>	This method selects or deselects a given test.	String that displays the status of the operation after it has been performed. The return value is "" (an empty String) on success.	m_Client = new Client() //m_Client is a reference to the Client class in the Client DLL returnval as string <b>Select test: (test name)</b> returnval=mClient.SelectTest(clientID, devicename, suiteName, testname, isSelected); Select a specific test.

## Select a Specific Test

Test	Command
3.1.1.1 Standby Output Voltage — VOFF	<p>For selecting the test:</p> <pre>returnval=m_Client.SelectTest(clientID, devicename, suiteName, "3.1.1.1 Standby Output Voltage-VOFF", True);</pre> <p>For deselecting the test:</p> <pre>returnval=m_Client.SelectTest(clientID, devicename, suiteName, "3.1.1.1 Standby Output Voltage-VOFF", False)</pre>
3.1.1.2 Single-ended High Level Voltage — VSE_HIGH	<p>For selecting the test:</p> <pre>returnval=m_Client.SelectTest(clientID, devicename, suiteName, "3.1.1.2 Single-ended High Level Voltage-VSE_HIGH", True);</pre> <p>For deselecting the test:</p> <pre>returnval=m_Client.SelectTest(clientID, devicename, suiteName, "3.1.1.2 Single-ended High Level Voltage-VSE_HIGH", False);</pre>
3.1.1.3 Single-ended Low Level Voltages — VSE_LOW	<p>For selecting the test:</p> <pre>returnval=m_Client.SelectTest(clientID, devicename, suiteName, "3.1.1.3 Single-ended Low Level Voltages- VSE_LOW", True);</pre> <p>For deselecting the test:</p> <pre>returnval=m_Client.SelectTest(clientID, devicename, suiteName, "3.1.1.3 Single-ended Low Level Voltages- VSE_LOW", False);</pre>
3.1.1.4 Differential Output Swing Voltage — VDF_SWING	<p>For selecting the test:</p> <pre>returnval=m_Client.SelectTest(clientID, devicename, suiteName, "3.1.1.4 Differential Output Swing Voltage-VDF_SWING", True);</pre> <p>For deselecting the test:</p> <pre>returnval=m_Client.SelectTest(clientID, devicename, suiteName, "3.1.1.4 Differential Output Swing Voltage-VDF_SWING", False);</pre>
3.1.1.5 Common-mode Output Swing Voltage — V_CMSWING	<p>For selecting the test:</p> <pre>returnval=m_Client.SelectTest(clientID, devicename, suiteName, "3.1.1.5 Common-mode Output Swing Voltage-V_CMSWING", True);</pre> <p>For deselecting the test:</p> <pre>returnval=m_Client.SelectTest(clientID, devicename, suiteName, "3.1.1.5 Common-mode Output Swing Voltage-V_CMSWING", False);</pre>

Test	Command
3.1.1.6 Differential Rise and Fall Times-TR_DF, TF_DF	<p>For selecting the test:</p> <pre>returnval=m_Client.SelectTest(clientID, devicename, suiteName, "3.1.1.6 Differential Rise and Fall Times-TR_DF, TF_DF", True);</pre> <p>For deselecting the test:</p> <pre>returnval=m_Client.SelectTest(clientID, devicename, suiteName, "3.1.1.6 Differential Rise and Fall Times-TR_DF, TF_DF", False);</pre>
3.1.1.7 Common-mode Rise and Fall Times — TR_CM, TF_CM	<p>For selecting the test:</p> <pre>returnval=m_Client.SelectTest(clientID, devicename, suiteName, "3.1.1.7 Common-mode Rise and Fall Times-TR_CM, TF_CM", True);</pre> <p>For deselecting the test:</p> <pre>returnval=m_Client.SelectTest(clientID, devicename, suiteName, "3.1.1.7 Common-mode Rise and Fall Times-TR_CM, TF_CM", False);</pre>
3.1.1.8 Differential Intra-Pair Skew —TSKEW_DF	<p>For selecting the test:</p> <pre>returnval=m_Client.SelectTest(clientID, devicename, suiteName, "3.1.1.8 Differential Intra-Pair Skew-TSKEW_DF", True);</pre> <p>For deselecting the test:</p> <pre>returnval=m_Client.SelectTest(clientID, devicename, suiteName, "3.1.1.8 Differential Intra-Pair Skew-TSKEW_DF", False);</pre>
3.1.1.10 MHL Clock Duty Cycle 24-Bit or Packed Pixel Mode	<p>For selecting the test:</p> <pre>returnval=m_Client.SelectTest(clientID, devicename, suiteName, "3.1.1.10 MHL Clock Duty Cycle 24-Bit or Packed Pixel Mode", True);</pre> <p>For deselecting the test:</p> <pre>returnval=m_Client.SelectTest(clientID, devicename, suiteName, "3.1.1.10 MHL Clock Duty Cycle 24-Bit or Packed Pixel Mode", False);</pre>
3.1.1.11 MHL Clock Jitter	<p>For selecting the test:</p> <pre>returnval=m_Client.SelectTest(clientID, devicename, suiteName, "3.1.1.11 MHL Clock Jitter", True);</pre> <p>For deselecting the test:</p> <pre>returnval=m_Client.SelectTest(clientID, devicename, suiteName, "3.1.1.11 MHL Clock Jitter", False);</pre>
3.1.1.12 MHL Data Eye Diagram	<p>For selecting the test:</p> <pre>returnval=m_Client.SelectTest(clientID, devicename, suiteName, "3.1.1.12 MHL Data Eye Diagram", True);</pre> <p>For deselecting the test:</p> <pre>returnval=m_Client.SelectTest(clientID, devicename, suiteName, "3.1.1.12 MHL Data Eye Diagram", False);</pre>

Test	Command
4.1.1.1. Input Signal DC Voltage Level Tolerance Test	<p>For selecting the test:</p> <pre>returnval=m_Client.SelectTest(clientID, devicename, suiteName, "4.1.1.1 Input Signal DC Voltage Level Tolerance", True);</pre> <p>For deselecting the test:</p> <pre>returnval=m_Client.SelectTest(clientID, devicename, suiteName, "4.1.1.1 Input Signal DC Voltage Level Tolerance", False);</pre>
4.1.1.2 Input Signal Minimum and Maximum Swing Voltages Tolerance	<p>For selecting the test:</p> <pre>returnval=m_Client.SelectTest(clientID, devicename, suiteName, "4.1.1.2 Input Signal Minimum and Maximum Swing Voltages Tolerance", True);</pre> <p>For deselecting the test:</p> <pre>returnval=m_Client.SelectTest(clientID, devicename, suiteName, "4.1.1.2 Input Signal Minimum and Maximum Swing Voltages Tolerance", False);</pre>
4.1.1.3 Intra-Pair Skew Tolerance Test	<p>For selecting the test:</p> <pre>returnval=m_Client.SelectTest(clientID, devicename, suiteName, "4.1.1.3 Intra-Pair Skew Tolerance", True);</pre> <p>For deselecting the test:</p> <pre>returnval=m_Client.SelectTest(clientID, devicename, suiteName, "4.1.1.3 Intra-Pair Skew Tolerance", False);</pre>
4.1.1.4 Jitter Tolerance Test	<p>For selecting the test:</p> <pre>returnval=m_Client.SelectTest(clientID, devicename, suiteName, "4.1.1.4 Jitter Tolerance", True);</pre> <p>For deselecting the test:</p> <pre>returnval=m_Client.SelectTest(clientID, devicename, suiteName, "4.1.1.4 Jitter Tolerance", False);</pre>
5.1.1.1 Input Signal Single-Ended Voltage Level Tolerance	<p>For selecting the test:</p> <pre>returnval=m_Client.SelectTest(clientID, devicename, suiteName, "5.1.1.1 Input Signal Single-Ended Voltage Level Tolerance", True);</pre> <p>For deselecting the test:</p> <pre>returnval=m_Client.SelectTest(clientID, devicename, suiteName, "5.1.1.1 Input Signal Single-Ended Voltage Level Tolerance", False);</pre>
5.1.1.2 Input Signal Minimum and Maximum Swing Voltage Tolerance Test	<p>For selecting the test:</p> <pre>returnval=m_Client.SelectTest(clientID, devicename, suiteName, "5.1.1.2 Input Signal Minimum and Maximum Swing Voltages Tolerance", True);</pre> <p>For deselecting the test:</p> <pre>returnval=m_Client.SelectTest(clientID, devicename, suiteName, "5.1.1.2 Input Signal Minimum and Maximum Swing Voltages Tolerance", False);</pre>

Test	Command
5.1.1.3 Intra-Pair Skew Tolerance Test	For selecting the test: <pre>returnval=m_Client.SelectTest(clientID, devicename, suiteName, "5.1.1.3 Intra-Pair Skew Tolerance", True);</pre> For deselecting the test: <pre>returnval=m_Client.SelectTest(clientID, devicename, suiteName, "5.1.1.3 Intra-Pair Skew Tolerance", False);</pre>
5.1.1.4 Jitter Tolerance Test	For selecting the test: <pre>returnval=m_Client.SelectTest(clientID, devicename, suiteName, "5.1.1.4 Jitter Tolerance ", True);</pre> For deselecting the test: <pre>returnval=m_Client.SelectTest(clientID, devicename, suiteName, "5.1.1.4 Jitter Tolerance ", False);</pre>

---

**NOTE.** *The Fail condition for PI commands occurs in any of the following cases:*

*The server is LOCKED and the message displayed is "Server is locked by another client".*

*The session is UNLOCKED and the message displayed is "Lock Session to execute the command".*

*The server is NOTFOUND and the message displayed is "Server not found...Disconnect!".*

*When none of these fail conditions occur, then the message displayed is "Failed...".*

---

## Select a Suite

Command name	Parameters	Description	Return value	Example
SelectSuite()	<a href="#">string clientID (see page 116)</a> <a href="#">string device (see page 117)</a> <a href="#">string suite (see page 117)</a> <a href="#">bool isSelected (see page 118)</a>	<p>This method selects or deselects a given suite.</p> <p>Setting parameter is selected to True, you can select a suite.</p> <p>Setting parameter is selected to False, you can deselect a suite.</p>	<p>String that gives the status of the operation after it has been performed.</p> <p>The return value is "" (an empty String) on success.</p>	<pre>m_Client = new Client() //m_Client is a reference to the Client class in the Client DLL. returnval as string <b>Select Suite (Default):</b> returnval=m_Client.SelectTest(clientID, "MHL Physical Layer Solution", "MHL Transmitter", True)</pre>

**NOTE.** The Fail condition for PI commands occurs in any of the following cases:

The server is LOCKED and the message displayed is "Server is locked by another client".

The session is UNLOCKED and the message displayed is "Lock Session to execute the command".

The server is NOTFOUND and the message displayed is "Server not found...Disconnect!".

When none of these fail conditions occur, then the message displayed is "Failed...".

## Set Pixel Mode

Command name	Parameters	Description	Return value	Example
SetGeneralParameter()	<a href="#">string clientID (see page 116)</a> <a href="#">string device (see page 117)</a> <a href="#">string suite (see page 117)</a> <a href="#">string test (see page 117)</a> <a href="#">string parameterString (see page 117)</a>	<p>This method sets the Pixel Mode for the given suite or measurement.</p>	<p>String that displays the status of the operation after it has been performed.</p> <p>The return value is "" (an empty String) on success.</p>	<pre>m_Client = new Client() //m_Client is a reference to the Client class in the Client DLL returnval as string Select Pixel Mode: returnval = m_Client.SetGeneralParameter(clientId, devicename, suiteName, string.Empty, parameterString); <a href="#">Set Pixel Mode to 24 Bits Example (see page 135)</a> <a href="#">Set Pixel Mode to Packed Pixel Example (see page 135)</a></pre>

**NOTE.** *The Fail condition for PI commands occurs in any of the following cases:*

*The server is LOCKED and the message displayed is "Server is locked by another client".*

*The session is UNLOCKED and the message displayed is "Lock Session to execute the command".*

*The server is NOTFOUND and the message displayed is "Server not found...Disconnect!".*

*When none of these fail conditions occur, then the message displayed is "Failed...".*

**Set Pixel Mode to 24 Bits Example**

```
returnval = m_Client.SetGeneralParameter(clientID, devicename, suiteName,
string.Empty, "Pixel Mode$24 Bits");
```

**Set Pixel Mode to Packed Pixel Example**

```
returnval = m_Client.SetGeneralParameter(clientID, devicename, suiteName,
string.Empty, "Pixel Mode$Packed Pixel");
```

## Set Resolution

Command name	Parameters	Description	Return value	Example
SetGeneralParameter()	<a href="#">string clientID (see page 116)</a> <a href="#">string device (see page 117)</a> <a href="#">string suite (see page 117)</a> <a href="#">string test (see page 117)</a> <a href="#">string parameterString (see page 117)</a>	This method can be used to set the Low Resolution, High Resolution, or Number of Other Resolutions parameters for a given suite or measurement.	String that displays the status of the operation after it has been performed. The return value is "" (an empty String) on success.	<pre>m_Client = new Client() //m_Client is a reference to the Client class in the Client DLL returnval as string Set Resolution: returnval = m_Client.SetGeneralParameter(clientID, devicename, suiteName, string.Empty, parameterString);</pre> <a href="#">Set Resolution to 24 Bits Pixel Mode Examples (see page 136)</a> <a href="#">Set Resolution for Packed Pixel Mode Examples (see page 136)</a>

**NOTE.** *The Fail condition for PI commands occurs in any of the following cases:*

*The server is LOCKED and the message displayed is "Server is locked by another client".*

*The session is UNLOCKED and the message displayed is "Lock Session to execute the command".*

*The server is NOTFOUND and the message displayed is "Server not found...Disconnect!".*

*When none of these fail conditions occur, then the message displayed is "Failed...".*

**Set Resolution to 24 Bits Pixel Mode Examples**

```
returnval = m_Client.SetGeneralParameter(clientID, devicename, suiteName,  
string.Empty, "24Bits Lowest Resolution (MHz)$25");
```

```
returnval = m_Client.SetGeneralParameter(clientID, devicename, suiteName,  
string.Empty, "24Bits Highest Resolution (MHz)$74.25");
```

```
returnval = m_Client.SetGeneralParameter(clientID, devicename, suiteName,  
string.Empty, "24Bits Number of Other Resolution (Count)$0");
```

**Set Resolution for Packed Pixel Mode Examples**

```
returnval = m_Client.SetGeneralParameter(clientID, devicename, suiteName,  
string.Empty, "PackedPixel Lowest Resolution (MHz)$25");
```

```
returnval = m_Client.SetGeneralParameter(clientID, devicename, suiteName,  
string.Empty, "PackedPixel Highest Resolution (MHz)$74.25");
```

```
returnval = m_Client.SetGeneralParameter(clientID, devicename, suiteName,  
string.Empty, "PackedPixel Number of Other Resolution (Count)$0");
```



## Set Termination Source Method

Command name	Parameters	Description	Return value	Example
SetGeneralParameter()	<a href="#">string clientId (see page 116)</a> <a href="#">string device (see page 117)</a> <a href="#">string suite (see page 117)</a> <a href="#">string test (see page 117)</a> <a href="#">string parameterString (see page 117)</a>	This method sets the Type of Termination source to be used for a given suite or measurement.	String that displays the status of the operation after it has been performed.  The return value is "" (an empty String) on success.	<pre>m_Client = new Client() //m_Client is a reference to the Client class in the Client DLL returnval as string Set Termination Source Method:returnval = m_Client.SetGeneralParameter(clientId, devicename, suiteName, string.Empty, parameterString);</pre> <a href="#">Set Termination Source Method Examples (see page 137)</a>

---

**NOTE.** The Fail condition for PI commands occurs in any of the following cases:

The server is LOCKED and the message displayed is "Server is locked by another client".

The session is UNLOCKED and the message displayed is "Lock Session to execute the command".

The server is NOTFOUND and the message displayed is "Server not found...Disconnect!".

When none of these fail conditions occur, then the message displayed is "Failed...".

---

### Set Termination Source Method Examples

```
returnval = m_Client.SetGeneralParameter(clientId, devicename, suiteName,
string.Empty, "Voltage termination$Internal");
```

```
returnval = m_Client.SetGeneralParameter(clientId, devicename, suiteName,
string.Empty, "Voltage termination$External Other");
```

```
returnval = m_Client.SetGeneralParameter(clientId, devicename, suiteName,
string.Empty, "Voltage termination$Tek Power Supply");
```

## Set Termination Voltage

Command name	Parameters	Description	Return value	Example
SetGeneralParameter()	<a href="#">string clientID (see page 116)</a> <a href="#">string device (see page 117)</a> <a href="#">string suite (see page 117)</a> <a href="#">string test (see page 117)</a> <a href="#">string parameterString (see page 117)</a>	This method sets the VTerm (Min) and VTerm (Max) voltages for a given suite or measurement. The Limit is between 1V and 5V.	String that displays the status of the operation after it has been performed.  The return value is "" (an empty String) on success.	<pre>m_Client = new Client() //m_Client is a reference to the Client class in the Client DLL returnval as string Set Termination Voltage: returnval = m_Client.SetGeneralParameter(clientId, devicename, suiteName, string.Empty, parameterString);</pre> <a href="#">Set Termination Voltage Examples (see page 138)</a>

**NOTE.** The Fail condition for PI commands occurs in any of the following cases:

The server is LOCKED and the message displayed is "Server is locked by another client".

The session is UNLOCKED and the message displayed is "Lock Session to execute the command".

The server is NOTFOUND and the message displayed is "Server not found...Disconnect!".

When none of these fail conditions occur, then the message displayed is "Failed...".

### Set Termination Voltage Examples

```
returnval = m_Client.SetGeneralParameter(clientId, devicename, suiteName, string.Empty, "VTerm1 (V)$3.1");
```

```
returnval = m_Client.SetGeneralParameter(clientId, devicename, suiteName, string.Empty, "VTerm2 (V)$3.5");
```

## Run with Set Configurations or Stop the Run Operation

Command name	Parameters	Description	Return value	Example
Run()	<a href="#">string clientID</a> (see page 116)	Runs the selected tests. <a href="#">Note (see page 118)</a> Once the server is set up and is configured, it can be run remotely using this function.	String that gives the status of the operation after it has been performed. The return value is "Run started..." on success.	<code>m_Client = new Client()</code> <code>//m_Client is a reference to the Client class in the Client DLL.</code> returnval as string <code>returnval=m_Client.Run(clientID)</code>
Stop()	<a href="#">string clientID</a> (see page 116)	Stops the currently running tests. <a href="#">Note (see page 119)</a>	String that gives the status of the operation after it has been performed. The return value is "Stopped..." on success.	<code>m_Client = new Client()</code> <code>//m_Client is a reference to the Client class in the Client DLL.</code> returnval as string <code>returnval=m_Client.Stop(clientID)</code>

---

**NOTE.** *The Fail condition for PI commands occurs in any of the following cases:*

*The server is LOCKED and the message displayed is "Server is locked by another client".*

*The session is UNLOCKED and the message displayed is "Lock Session to execute the command".*

*The server is NOTFOUND and the message displayed is "Server not found...Disconnect!".*

*When none of these fail conditions occur, then the message displayed is "Failed...".*

---

## Handle Error Codes

The return value of the remote automations at the server-end is OP\_STATUS, which is changed to a string value depending on its code and returned to the client. The values of OP\_STATUS are as follows:

Value	Code	Description
FAIL	-1	The operation failed.
SUCCESS	1	The operation succeeded.
NOTFOUND	2	Server not found
LOCKED	3	The server is locked by another client, so the operation cannot be performed.
UNLOCK	4	The server is not locked. Lock the server before performing the operation.
NULL	0	Nothing

---

**NOTE.** *The Fail condition for PI commands occurs in any of the following cases:*

*The server is LOCKED and the message displayed is "Server is locked by another client".*

*The session is UNLOCKED and the message displayed is "Lock Session to execute the command".*

*The server is NOTFOUND and the message displayed is "Server not found...Disconnect!".*

*When none of these fail conditions occur, then the message displayed is "Failed...".*

---

## Get or Set the Timeout Value

Command name	Parameters	Description	Return value	Example
GetTimeOut()	<a href="#">string clientID</a> (see page 116)	Returns the current timeout period set by the client.	String that gives the status of the operation after it has been performed. The default return value is 1800000.	m_Client = new Client() //m_Client is a reference to the Client class in the Client DLL. returnval as string returnval=m_Client.GetTimeOut()
SetTimeOut()	<a href="#">string clientID</a> (see page 116) <a href="#">string time</a> (see page 119)	Sets a timeout period specified by client. After expiry of this timeout period, the server is automatically unlocked.	String that gives the status of the operation after it has been performed. On success the return value is "TimeOut Period Changed".	m_Client = new Client() //m_Client is a reference to the Client class in the Client DLL. returnval as string returnval=m_Client.SetTimeOut(clientID, desiredTimeOut)

---

**NOTE.** *The Fail condition for PI commands occurs in any of the following cases:*

*The server is LOCKED and the message displayed is "Server is locked by another client".*

*The session is UNLOCKED and the message displayed is "Lock Session to execute the command".*

*The server is NOTFOUND and the message displayed is "Server not found...Disconnect!".*

*When none of these fail conditions occur, then the message displayed is "Failed...".*

---

## Wait for the Test to Complete

The commands in this group are executed while tests are running. The GetCurrentStateInfo() and SendResponse() commands are executed when application is running and in wait state.

Command name	Parameters	Description	Return value	Example
ApplicationStatus()	<a href="#">string clientID</a> (see page 116)	This method gets the status of the server application. The states at a given time are <a href="#">Ready</a> , <a href="#">Running</a> , <a href="#">Paused</a> , <a href="#">Wait</a> , or <a href="#">Error</a> . (see page 115)	String value that gives the status of the server application.	<pre>m_Client = new Client() //m_Client is a reference to the Client class in the Client DLL. returnval as string returnval=m_Client.Applica- tionStatus(clientID)</pre>
QueryStatus()	<a href="#">string clientID</a> (see page 116) <a href="#">out string[]</a> <a href="#">status</a> (see page 117)	This is an interface for the user to transfer Analyze panel status messages from the server to the client.	String that gives the status of the operation after it has been performed. On success the return value is "Transferred...".	<pre>m_Client = new Client() //m_Client is a reference to the Client class in the Client DLL. returnval as string returnVal=m_Client.QueryS- tatus(clientID, out statusMes- sages) if ((OP_STATUS)returnVal == OP_STATUS.SUCCESS)     return "Status updated..." else     return CommandFailed(re- turnVal)</pre>

Command name	Parameters	Description	Return value	Example
GetCurrentState-Info() <b>NOTE.</b> This command is used when the application is running and is in the wait or error state.	<a href="#">string clientID (see page 116)</a> <a href="#">out string caption (see page 119)</a> <a href="#">out string message (see page 120)</a> <a href="#">out string[] buttonTexts (see page 120)</a>	This method gets the additional information of the states when the application is in Wait or Error state. Except client ID, all the others are out parameters.	This command does not return any value. This function fills up the out parameters that are passed when invoking this function.	<pre>m_Client = new Client() //m_Client is a reference to the Client class in the Client DLL. m_Client.GetCurrentState-Info(clientID, caption,message, buttonTexts)</pre>
SendResponse() <b>NOTE.</b> This command is used when the application is running and is in the wait or error state.	<a href="#">string clientID (see page 116)</a> <a href="#">out string caption (see page 119)</a> <a href="#">out string message (see page 120)</a> <a href="#">string response (see page 120)</a>	After receiving the additional information using the method GetCurrentState-Info(), the client can decide on the response to send and send the response to the application using this function. The response should be one of the strings that was earlier received as a string array in the GetCurrentState-Info function. The _caption and _message should match the information received earlier in the GetCurrentStateInfo function.	This command does not return any value.	<pre>m_Client = new Client() //m_Client is a reference to the Client class in the Client DLL. m_Client.SendResponse(clientID, caption,message, response)</pre>

---

**NOTE.** The Fail condition for PI commands occurs in any of the following cases:

The server is LOCKED and the message displayed is "Server is locked by another client".

The session is UNLOCKED and the message displayed is "Lock Session to execute the command".

The server is NOTFOUND and the message displayed is "Server not found...Disconnect!".

When none of these fail conditions occur, then the message displayed is "Failed...".

---

## After the Test is Complete

Command name	Parameters	Description	Return value	Example
GetPassFailStatus()	<a href="#">string clientID (see page 116)</a> <a href="#">string device (see page 117)</a> <a href="#">string suite (see page 117)</a> <a href="#">string test (see page 117)</a>	This method gets the pass or fail status of the measurement after test completion.  <b>NOTE.</b> <i>Execute this command after completing the measurement.</i>	String that gives the status of the operation after it has been performed.  Returns the pass or fail status in the form of a string.	<pre>m_Client = new Client() //m_Client is a reference to the Client class in the Client DLL. returnval as string returnval=m_Client.GetPassFailStatus(clientID, device, suite, "3.1.1.3 Single-ended Low Level Voltages-VSE_LOW") //Pass or Fail</pre>
GetResultsValue()	<a href="#">string clientID (see page 116)</a> <a href="#">string device (see page 117)</a> <a href="#">string suite (see page 117)</a> <a href="#">string test (see page 117)</a> <a href="#">string parameterString (see page 117)</a>	This method gets the result values of the measurement after the run.	String that gives the status of the operation after it has been performed.  Returns the result value in the form of a string.	<pre>m_Client = new Client() //m_Client is a reference to the Client class in the Client DLL. returnval as string returnval=m_Client.GetResultsValue(clientID, "MHL Physical Layer Solution", "MHL Transmitter", "3.1.1.3 Single-ended Low Level Voltages-VSE_LOW", "Measured Value")</pre>
GetResultsValueForSubMeasurements()	<a href="#">string clientID (see page 116)</a> <a href="#">string device (see page 117)</a> <a href="#">string suite (see page 117)</a> <a href="#">string test (see page 117)</a> <a href="#">string parameterString (see page 117)</a> <a href="#">int rowNr (see page 117)</a>	This method gets the result values for individual sub-measurements, after the run.	String that gives the status of the operation after it has been performed.  Returns the result value in the form of a string.	<pre>m_Client = new Client() //m_Client is a reference to the Client class in the Client DLL. returnval as string <b>Single-ended Low Level Voltages DP (nS)</b> returnval=m_Client.GetResultsValueForSubMeasurements(clientID, "MHL Physical Layer Solution", "MHL Transmitter", "3.1.1.3 Single-ended Low Level Voltages-VSE_LOW", "3.1.1.3 Single-ended Low Level Voltages-VSE_LOW ", "Measured Value",0) //For DP wfm returnval=m_Client.GetResultsValueForSubMeasurements(clientID, "MHL Physical Layer Solution", "MHL Transmitter", "3.1.1.3 Single-ended Low Level Voltages-VSE_LOW", "Measured Value",1) //For DN wfm</pre>



Command name	Parameters	Description	Return value	Example
GetReportParameter()	<a href="#">string clientID (see page 116)</a> <a href="#">string device (see page 117)</a> <a href="#">string suite (see page 117)</a> <a href="#">string test (see page 117)</a> <a href="#">string parameterString (see page 146)</a>	<p>This method gets the general report details such as oscilloscope model, TekExpress version, and MHL version.</p>	<p>The return value is the oscilloscope model, TekExpress version, and MHL version.</p>	<pre>m_Client = new Client() //m_Client is a reference to the Client class in the Client DLL. returnval as string <b>Oscilloscope Model</b> returnval=m_Client.GetReportParameter(clientID,"Scope Model") <b>TekExpress Version</b> returnval=m_Client.GetReportParameter(clientID,"TekExpress Version") <b>MHL Version</b> returnval=m_Client.GetReportParameter(clientID,"Application Version")</pre>
TransferReport()	<a href="#">string clientID (see page 116)</a> <a href="#">string filePath (see page 119)</a>	<p>This method transfers the report generated after the run.</p> <p>The report contains the summary of the run.</p> <p>The client must provide the location where the report is to be saved at the client-end.</p>	<p>String that gives the status of the operation after it has been performed.</p> <p>Transfers all the result values in the form of a string.</p>	<pre>m_Client = new Client() //m_Client is a reference to the Client class in the Client DLL. returnval as string returnval=m_Client.TransferReport(clientID,"C:\Report")</pre>

Command name	Parameters	Description	Return value	Example
TransferWaveforms()	<a href="#">string clientID (see page 116)</a> <a href="#">string filePath (see page 119)</a>	This method transfers all the waveforms from the folder for the current run.  <b>NOTE.</b> For each click of Run button, a folder is created in the X: drive. Transfer the waveforms before clicking the Run button.	String that gives the status of the operation after it has been performed.  Transfers all the waveforms in the form of a string.  On success the return value is "Transferred...".	m_Client = new Client() //m_Client is a reference to the Client class in the Client DLL. returnval as string returnval=m_Client.TransferWaveforms(clientID,"C:\Waveforms")
TransferImages()	<a href="#">string clientID (see page 116)</a> <a href="#">string filePath (see page 119)</a>	This method transfers all the images (screenshots) from the folder for the current run (for a given suite or measurement).  <b>NOTE.</b> For each click of Run button, a folder is created in the X: drive. Transfer the waveforms before clicking the Run button.	String that gives the status of the operation after it has been performed.  Transfers all the images in the form of a string.	m_Client = new Client() //m_Client is a reference to the Client class in the Client DLL. returnval as string returnval=m_Client.TransferImages(clientID, "C:\Waveforms")

**NOTE.** The Fail condition for PI commands occurs in any of the following cases:

The server is LOCKED and the message displayed is "Server is locked by another client".

The session is UNLOCKED and the message displayed is "Lock Session to execute the command".

The server is NOTFOUND and the message displayed is "Server not found...Disconnect!".

When none of these fail conditions occur, then the message displayed is "Failed...".

string parameterString			
Name	Type	Direction	Description
parameterString	string	IN	Specifies the oscilloscope model, TekExpress version, and MHL version.

## Save, Recall, or Check if a Session is Saved

Command name	Parameters	Description	Return value	Example
CheckSession-Saved()	<a href="#">string clientID</a> (see page 116)  <a href="#">out bool saved</a> (see page 116)	This method is called when a check is to be made to know if the current session is saved.	Return value is either True or False.	m_Client = new Client() //m_Client is a reference to the Client class in the Client DLL. returnval as string returnval=m_Client.CheckSessionSaved(m_clientID, out savedStatus)
RecallSession()	<a href="#">string clientID</a> (see page 116)  <a href="#">string name</a> (see page 118)	Recalls a saved session. The name of the session is provided by the client.	String that gives the status of the operation after it has been performed.  The return value is "Session Recalled...".	m_Client = new Client() //m_Client is a reference to the Client class in the Client DLL. returnval as string returnval=m_Client.RecallSession(clientID, savedSessionName)
SaveSession()	<a href="#">string clientID</a> (see page 116)  <a href="#">string name</a> (see page 118)	Saves the current session. The name of the session is provided by the client.	String that gives the status of the operation after it has been performed.  The return value is "Session Saved..."/"Failed...".	m_Client = new Client() //m_Client is a reference to the Client class in the Client DLL. returnval as string returnval=m_Client.SaveSession(clientID, desiredSessionName)
SaveSessionAs()	<a href="#">string clientID</a> (see page 116)  <a href="#">string name</a> (see page 118)	Saves the current session in a different name every time this method is called. The name of the session is provided by the client.	String that gives the status of the operation after it has been performed.  The return value is "Session Saved...".	m_Client = new Client() //m_Client is a reference to the Client class in the Client DLL. returnval as string returnval=m_Client.SaveSessionAs(clientID, desiredSessionName)

**NOTE.** The Fail condition for PI commands occurs in any of the following cases:

*The server is LOCKED and the message displayed is "Server is locked by another client".*

*The session is UNLOCKED and the message displayed is "Lock Session to execute the command".*

*The server is NOTFOUND and the message displayed is "Server not found...Disconnect!".*

*When none of these fail conditions occur, then the message displayed is "Failed...".*

## Unlock the Server

Command name	Parameters	Description	Return value	Example
UnlockSession()	<a href="#">string clientID</a> (see page 116)	This method unlocks the server from the client. The ID of the client to be unlocked must be provided. <a href="#">Note (see page 119)</a>	String that gives the status of the operation after it has been performed. The return value is "Session Un-Locked...".	m_Client = new Client() //m_Client is a reference to the Client class in the Client DLL. returnval as string returnval=m_Client.Unlock-Server(clientID)

**NOTE.** The Fail condition for PI commands occurs in any of the following cases:

The server is LOCKED and the message displayed is "Server is locked by another client".

The session is UNLOCKED and the message displayed is "Lock Session to execute the command".

The server is NOTFOUND and the message displayed is "Server not found...Disconnect!".

When none of these fail conditions occur, then the message displayed is "Failed...".

## Disconnect from the Server

Command name	Parameters	Description	Return value	Example
Disconnect()	<a href="#">string clientID</a> (see page 116)	This method disconnects the client from the server it is connected to. <a href="#">Note (see page 116)</a>	Integer value that gives the status of the operation after it has been performed. 1 for Success -1 for Failure	m_Client = new Client() //m_Client is a reference to the Client class in the Client DLL. returnval as string returnval=m_Client.Disconnect(m_clientID)

**NOTE.** The Fail condition for PI commands occurs in any of the following cases:

The server is LOCKED and the message displayed is "Server is locked by another client".

The session is UNLOCKED and the message displayed is "Lock Session to execute the command".

The server is NOTFOUND and the message displayed is "Server not found...Disconnect!".

When none of these fail conditions occur, then the message displayed is "Failed...".

## About Algorithms

For all measurements, use the following guidelines to set up the oscilloscope.

### Oscilloscope Setup Guidelines

The following guidelines are generalized.

- The signal is any channel, reference, or math waveform.
- The vertical scale for the waveform must be set so that the waveform does not exceed the vertical range of the oscilloscope.
- The sample rate must be set to capture sufficient waveform detail and avoid aliasing.
- Longer record lengths increase measurement accuracy but the oscilloscope takes longer to measure each waveform.

### Measurement Procedure

Signal validation is an automatic, default feature in MHL.

Before each measurement, the signal is validated.

### 3.1.1.1 Standby Output Voltage — $V_{OFF}$

This MHL Transmitter test measures that the MHL source output voltage is within the specified level limits when the source device is in Standby State or power off mode as specified in the CDF.

#### Required Test Equipment

In addition to the DUT, you will need the following:

- Digital Multimeter: DMM4020
- Digital Storage Oscilloscope: DPO/DSA/MSO 70000/B/C/D Series Real time Oscilloscope with BW greater than or equal to 8GHz with Opt.DJA, Opt.2XL and Opt.MHD (MHL Advanced Analysis and Compliance Software)
- One Probe: P7313SMA
- Test Fixture: TF-MHL-TPA-P-WOSO\*TF-MHL-TPA-TT or TF-MHL-TPA-P-TTSO
- Power supply: PWS4205 or PWS2185 (if using external Power Supply option)
- CBus Sink Board: Simplay Labs MHL Rx/Tx Analyzer SL-860 (Source DUT Port)

Connect the equipment as shown in [Source — V<sub>OFF</sub> Setup for Clock Test \(see page 151\)](#).

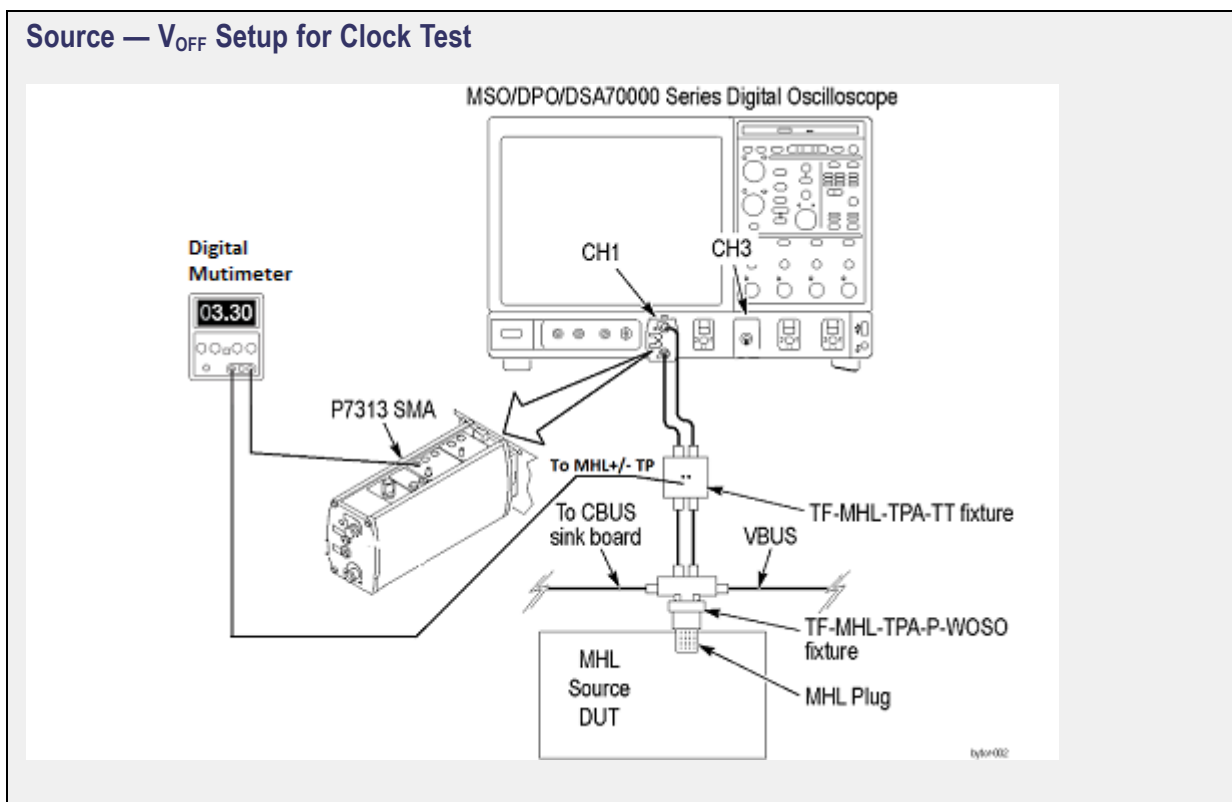
Connect the CBus Sink board to the CBus and VBus of the test fixture to enable device discovery and CBus information exchange.

Set the DUT to operate in normal mode.

### Measurement Algorithm

Do the following test for all stand-by and power off modes specified in CDF of the DUT.

1. Connect the equipment as shown in [Source — VOFF Setup for Clock Test \(see page 151\)](#) and unplug the DUT from the Test Fixture. Connect the CBus and VBus from the Test Fixture to the Source DUT port of SL-860.
2. Turn on the DC Power Supply and provide power to VTERM\_IN if external Power Supply is used for VTERM, else the Tektronix Oscilloscope provides the VTERM supply internally through the probes.
3. Set  $VTERM = VTERM_{\min} 3.135V$  using Oscilloscope probe control settings if internal power supply is used, else use the external power supply.
4. Measure and record the voltages (VBASELINE) between MHL+ and VTERM and between MHL- and VTERM.
5. Set  $VTERM = VTERM_{\min} 3.465V$  using Oscilloscope probe control settings if internal power supply is used, else use the external power supply.
6. Measure and record the voltages (VBASELINE) between MHL+ and VTERM and between MHL- and VTERM.
7. Plug the DUT to the Test Fixture as shown in [Source — VOFF Setup for Clock Test \(see page 151\)](#). Connect the CBus and VBus from the Test Fixture to the Source DUT port of SL-860.
8. Put the DUT in the power mode following the instruction in CDF. VBus provision should follow the instruction in CDF.
9. Set  $VTERM = VTERM_{\min} 3.135V$ .
10. Measure the voltage (VOFF\_BEFORE\_COMPENSATION) between MHL+ and VTERM.
11. Measure the voltage (VOFF\_BEFORE\_COMPENSATION) between MHL- and VTERM.
12. Record VOFF values for MHL+ and MHL-;  $VOFF = VOFF\_BEFORE\_COMPENSATION - VBASELINE$ .
13. Set  $VTERM = VTERM_{\max} 3.465V$  and repeat steps 10 – 12.
14. If all recorded VOFF values are within +/- 10mV (inclusive), PASS. Otherwise FAIL.



### 3.1.1.7 Common-mode Rise and Fall Times-TR<sub>CM</sub>, TF<sub>CM</sub> Test

This MHL Transmitter test confirms that the rise time and fall time of the common-mode output signal are within the specified limits.

Rise time and Fall time are measured on the Transition of the common-mode signal by measuring the time difference between the 20% and 80% level during the Transition. The Reference Level is calculated based on the Common-mode Swing measurement. This measurement is performed by averaging the measured RT and FT for 10,000 or more transitions.

#### Required Test Equipment

In addition to the DUT and high-bandwidth digital oscilloscope, you will need the following:

- 2 Probes: one P7313SMA and one P7240
- Test Fixture TPA-P Source with a micro USB pluggable for source testing
- DC Power Supply: PWS4205 or PWS2815 (to be used if an external power supply-based test setup is used)
- CBUS Sink Adapter board

Connect the equipment as shown in [Connection Diagram 1 \(see page 48\)](#).

### Measurement Algorithm

TekExpress MHL automatically executes the calculations described below.

The Rise Time measurement is the time difference between when the VRefHi reference level is crossed and the VRefLo reference level is crossed on the rising edge of the waveform. The Rise Time algorithm uses the VRef values as the reference voltage level. Each edge is defined by the slope, voltage reference level (threshold), and hysteresis. The application calculates this measurement using the following equations:

Where:

- TRise is the Rise Time
- THi+ is the VRefHi crossing on the rising edge
- TLo+ is the VRefLo crossing on the rising edge

V<sub>RefHi</sub> is 80% of the Ref level and V<sub>RefLo</sub> is 20% of the Ref level.

$$T_{nFall} = T_{nHi} - T_{nLo}$$

$$T_{Fall} = \frac{\sum_{n=1}^n T_{Fall}(n)}{n}$$

$$T_{nRise} = T_{nHi} - T_{nLo}$$

$$T_{Rise} = \frac{\sum_{n=1}^n T_{Rise}(n)}{n}$$



### 3.1.1.10 MHL Clock Duty Cycle 24-Bit or Packed Pixel Mode Test

This MHL Transmitter test confirms that the MHL clock duty cycle in 24-bit or packed pixel mode does not exceed the limits allowed by the specification.

#### Required Test Equipment

In addition to the DUT and high-bandwidth digital oscilloscope, you will need the following:

- Two probes: one P7313SMA and one P7240
- Test Fixture: TPA-P Source with a micro USB pluggable to be used for source testing
- Power supply: PWS4205 or PWS2185 (to be used if an external power supply-based test setup is used)
- CBUS: CBUS Sink Adapter board

Connect the equipment as shown in [Connection Diagram 1 \(see page 48\)](#).

#### Measurement Algorithm

TekExpress MHL automatically executes the calculations described below.

The +Duty Cycle and –Duty Cycle measurements calculate the ratio of the positive (or negative) portion of the cycle relative to the period. The application calculates these measurements as follows:

Where:

- $D+$  is the positive duty cycle
- $D-$  is the negative duty cycle
- $W+$  is the positive pulse width
- $W-$  is the negative pulse width
- $P_{\text{Clock}}$  is the period

### 3.1.1.11 MHL Clock Jitter Test

This MHL Transmitter test confirms that the MHL Clock output does not contain excessive jitter greater than the limit allowed by the specification.

#### Required Test Equipment

In addition to the DUT and high-bandwidth digital oscilloscope, you will need the following:

- Two probes: one P313SMA and one P7240
- Test Fixture: TPA-P Source with a micro USB pluggable to be used for source testing
- Power supply: PWS4205 or PWS2185 (to be used if an external power supply-based test setup is used)
- CBUS: CBUS Sink Adapter board

Connect the equipment as shown in [Connection Diagram 1 \(see page 48\)](#).

#### Measurement Algorithm

TekExpress MHL automatically executes the calculations described below.

TIE (Time Interval Error) is the difference in time between an edge in the source waveform and the corresponding edge in a reference clock. The reference clock is usually determined by a clock recovery process performed on the source waveform. The source waveform is filtered using a 2-GHz low-pass filter. For Explicit-Clock clock recovery, the process is performed on an explicitly identified source.

If the signal is Clock Type,

The application calculates the Clock TIE measurement using the following equation:

$$TIE_n^{\text{Clock}} = T_n^{\text{Clock}} - T_n^{\text{'Clock}}$$

Where:

- $TIE^{\text{Clock}}$  is the VRefMid crossing time for the specified clock edge.
- $T^{\text{Clock}}$  is the corresponding edge time for the specified reference clock after recovering it using PLL with a bandwidth of 4 MHz.

### 3.1.1.2 Single-Ended High Level Voltage- $V_{SE\_HIGH}$ Test

This MHL Transmitter test confirms that the single-ended high output voltage level is within the specified limits when the DUT is in normal mode.

#### Required Test Equipment

In addition to the DUT and high-bandwidth digital oscilloscope, you will need the following:

- Two Differential probes: P7313SMA
- Test Fixture: TPA-P source with a micro USB, pluggable to be used for source testing
- Power supply: PWS4205 or PWS2185 (to be used if an external power supply-based test setup is used)
- CBUS: CBUS Sink Adapter board

Connect the equipment as shown in [Connection Diagram 2 \(see page 48\)](#).

### Measurement Algorithm

TekExpress MHL automatically executes the calculations described below.

The single-ended High and Low are measured using a customized algorithm to find regions that were identified based on the Bit stream.

1. Acquire the waveform by capturing at least 1000 regions using a real-time oscilloscope.
2. Find the Region of LHHHH transition on the region of single-ended measurement.
3. Measure and record the Histogram mode value at the middle HH pattern of the MHL-P signal when the common-mode voltage is high and it is MHLP-SEHIGH.
4. Measure and record the Histogram mode value at the middle HLLLL of the MHL-N signal when the common-mode signal is high and it is MHLN-SEHIGH.
5. Compare the measured values with the limit values:

If  $V_{TERM} - 540 \text{ mV} \leq V_{SE\_HIGH} \leq V_{TERM} + 10 \text{ mV}$  for all recorded  $V_{SE\_HIGH}$  values, then PASS. Otherwise, FAIL.

Where:

- $V_{TERM} = 3.135 \text{ V}$  (lowest)
- $V_{TERM} = 3.465 \text{ V}$  (highest)
- Limit Values are  $\geq 2595 \text{ mV}$  and  $\leq 3145 \text{ mV}$

## 3.1.1.3 Single-Ended Low Level Voltages- $V_{SE\_LOW}$ Test

This MHL Transmitter test confirms that the single-ended low output voltage level is within the specified limits when the source device is in normal mode.

### Required Test Equipment

In addition to the DUT and high-bandwidth digital oscilloscope, you will need the following:

- Two Differential Probes: P7313SMA
- Test Fixture: TPA-P Source with a micro USB, pluggable to be used for source testing

- Power supply: PWS4205 or PWS2185 (to be used if an external power supply-based test setup is used)
- CBUS: CBUS Sink Adapter board

Connect the equipment as shown in [Connection Diagram 2 \(see page 48\)](#).

### Measurement Algorithm

TekExpress MHL automatically executes the calculations described below.

The single-ended High and Low are measured using a customized algorithm to find regions of LHHHH transition on single-ended measurement regions.

1. Acquire the waveform by capturing at least 1000 regions using a real-time oscilloscope.
2. Find the region of LHHHH transition on the region of single-ended measurement
3. Measure and record the Histogram mode value at the middle HH on the MHL-N signal when the common-mode signal is low, and it is MHLN-SE-LOW.
4. Measure and record the Histogram mode value at the middle HLLLL pattern on the MHL-P signal using the Histogram technique when the common-mode voltage is low, and it is MHLP-SELOW.
5. Compare the measured values with limit values:

If  $V_{TERM} - 1760 \text{ mV} \leq V_{SE\_LOW} \leq V_{TERM} - 700 \text{ mV}$  for all recorded  $V_{SE\_Low}$  values, then PASS.  
Otherwise, FAIL

Where:

- $V_{TERM} = 3.135 \text{ V}$  (lowest)
- $V_{TERM} = 3.465 \text{ V}$  (highest)
- Limit values are  $\geq 1375$  and  $\leq 2435$

### 3.1.1.4 Differential Output Swing Voltage-VDF\_SWING Test

This MHL Transmitter test confirms that the differential output voltage swing amplitude is within the specified limits when the source device is in normal mode.

#### Required Test Equipment

In addition to the DUT and high-bandwidth digital oscilloscope, you will need the following:

- Two probes: one P313SMA and one P7240
- Test Fixture: TPA-P Source with a micro USB, pluggable to be used for source testing
- Power supply: PWS4205 or PWS2185 (to be used if an external power supply-based test setup is used)
- CBUS: CBUS Sink Adapter board

Connect the equipment as shown in [Connection Diagram 1 \(see page 48\)](#).

#### Measurement Algorithm

TekExpress MHL automatically executes the calculations described below.

1. Acquire the waveform. Slice and overlap data points for approximately 5 UI and then measure the minimum and maximum using a common-mode clock waveform.
2. Consider the histogram vertical window for the data point of value  $> \text{minimum} + 0.75 * (\text{maximum} - \text{minimum})$  and measure the mode as  $V_{\text{High}}$ .
3. Consider the histogram vertical window for the data point of value  $> \text{maximum} - 0.75 * (\text{maximum} - \text{minimum})$  and measure the mode as  $V_{\text{Low}}$ .
4. Calculate the average ( $V_{\text{CMSWING}}$ ) of the measured common-mode High and Low values.
5. Record the histogram mode value for the common-mode Low.
6. Calculate  $V_{\text{CMSWING}}$  for the given  $V_{\text{TERM}}$ .

Where:

- $V_{\text{TERM}} = 3.135 \text{ V}$  (lowest)
- $V_{\text{TERM}} = 3.465 \text{ V}$  (highest)

If  $600 \text{ mV} \leq V_{\text{DFSWING}} \leq 1000 \text{ mV}$  for all recorded  $V_{\text{DFSWING}}$  values, then Pass. Otherwise, Fail

The measurement takes into consideration all the data points on the differential signal for 10,000 clock periods.

### 3.1.1.5 Common-Mode Output Swing Voltage- $V_{CMSWING}$ Test

This MHL Transmitter test confirms that common-mode output voltage swing amplitude is within the specified limits when the DUT operates in normal mode.

#### Required Test Equipment

In addition to the DUT and high-bandwidth digital oscilloscope, you will need the following:

- Two probes: one P313SMA and one P7240
- Test Fixture: TPA-P Source with a micro USB, pluggable to be used for Source testing
- Power supply: PWS4205 or PWS2185 (to be used if an external power supply-based test setup is used)
- CBUS: CBUS Sink Adapter board

Connect the equipment as shown in [Connection Diagram 1 \(see page 48\)](#).

#### Measurement Algorithm

TekExpress MHL automatically executes the calculations described below.

1. Acquire the waveform.
2. Consider the data point in the region of 3 unit intervals from the Rise transition for  $V_{High}$  and Fall transition for  $V_{Low}$ .
3. Average the respective  $V_{High}$  and  $V_{Low}$  for 10,000 regions and get  $V_{High}$  and  $V_{Low}$  measurements.
4. Calculate  $V_{CMSWING}$  for the given  $V_{TERM}$ ,

Where:

- $V_{TERM} = 3.135$  V (lowest)
- $V_{TERM} = 3.465$  V (highest)

If  $360 \text{ mV} \leq V_{CMSWING} \leq \text{Minimum (720 mV, } 0.85 V_{DFSWING})$  for all recorded  $V_{CMSWING}$  values, then PASS. Otherwise, FAIL.

### 3.1.1.6 Differential Rise and Fall Times-TR\_DF, TF\_DF Test

This MHL Transmitter test confirms that the rise and fall times of the differential output signal are equal to or larger than the minimum limit.

#### Required Test Equipment

In addition to the DUT and high-bandwidth digital oscilloscope, you will need the following:

- Two probes: one P313SMA and one P7240
- Test Fixture: TPA-P Source with a micro USB, pluggable to be used for Source testing
- Power supply: PWS4205 or PWS2185 (to be used if an external power supply-based test setup is used)
- CBUS: CBUS Sink Adapter board

Connect the equipment as shown in [Connection Diagram 1 \(see page 48\)](#).

#### Measurement Algorithm

TekExpress MHL automatically executes the calculations described below.

1. Perform the Differential Swing measurement.
2. Arrive at 20% and 80% levels of the signal.
3. Perform the Rise time and Fall time calculations similar to the Common-mode Rise time and Fall time on the data using the Reference level arrived at in step 2.

### 3.1.1.8 Differential Intra-Pair Skew-TSKEW\_DF Test

This MHL Transmitter test confirms that the timing skew in the differential signal pair is below the specified limits.

#### Required Test Equipment

In addition to the DUT and high-bandwidth digital oscilloscope, you will need the following:

- Two Differential probes: P7313SMA
- Test Fixture: TPA-P Source with a micro USB, pluggable to be used for Source testing
- Power supply: PWS4205 or PWS2185 (to be used if an external power supply-based test setup is used)
- CBUS: CBUS Sink Adapter board

Connect the equipment as shown in [Connection Diagram 2 \(see page 48\)](#).

#### Measurement Algorithm

This measurement is performed using a custom algorithm that evaluates the qualified region for the measurement. The skew is the average of 1000 qualified regions.



## 3.1.1.12 MHL Data Eye Diagram Test

This MHL Transmitter test confirms that the MHL Data output has a signal quality that meets the eye opening required by the specification.

### Required Test Equipment

In addition to the DUT and high-bandwidth digital oscilloscope, you will need the following:

- Two probes: one P313SMA and one P7240
- Test Fixture: TPA-P Source with micro USB, pluggable to be used for Source testing
- Power supply: PWS4205 or PWS2185 (to be used if an external power supply-based test setup is used)
- CBUS: CBUS Sink Adapter board

Connect the equipment as shown in [Connection Diagram 1 \(see page 48\)](#).

### Measurement Algorithm

TekExpress MHL automatically executes the algorithm described below.

1. Acquire the Waveform Differential Data and Common-mode clock waveforms.
2. Filter the clock signal using the 2-GHz low-pass filter.
3. Recover the clock using 4 MHz PLL
4. Plot the Eye diagram using the Differential data signal with the recovered clock from the common-mode signal.
5. The Jitter is measured as:  
Data period – Eye opening (EYE width)

## 4.1.1.1 Input Signal DC Voltage Level Tolerance Test

This MHL Receiver test confirms that the sink device supports input signal DC voltage level allowed by the specification.

Make the connection after signal calibration is done. Set the DUT to operate in normal mode.

### Required Test Equipment

In addition to the DUT and high-bandwidth digital oscilloscope, you will need the following:

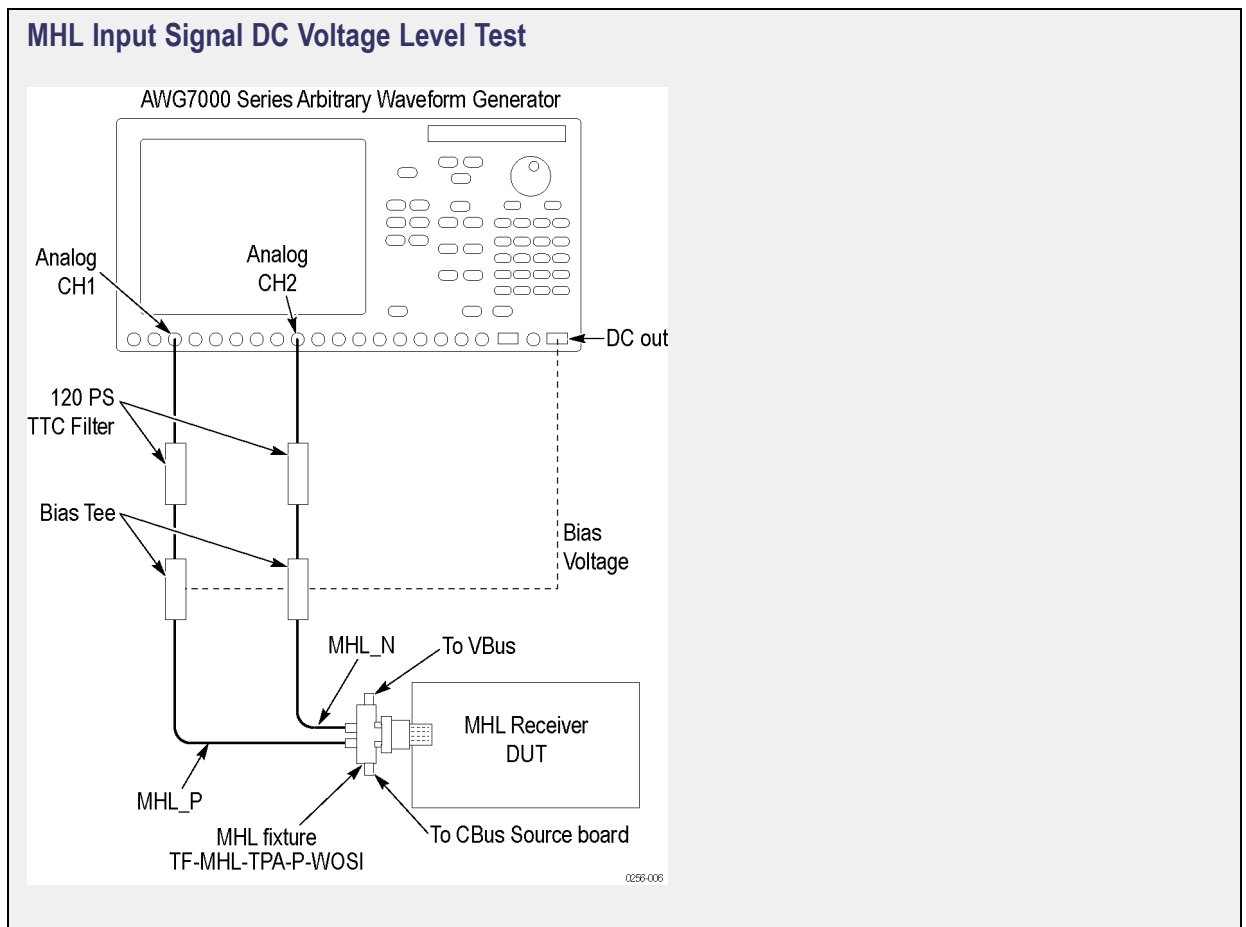
- MHL Signal Generator: 7122C with option 01, 02 or 06 and 08, and Option SDX with Direct Synthesis capability to simulate Cable emulator effect and rise time filter effect.
- Test Fixture: 1 set TF-MHL-TPA-P-WOSI
- Rise time Filter: 2 Picosecond Pulse labs 120PS
- Bias Tees: 2 Mini Circuits Bias Tees ZX85–12G-S+
- CBUS Source Board: Simplay Labs MHL Rx/Tx Analyzer SL-860 (Sink DUT Port)

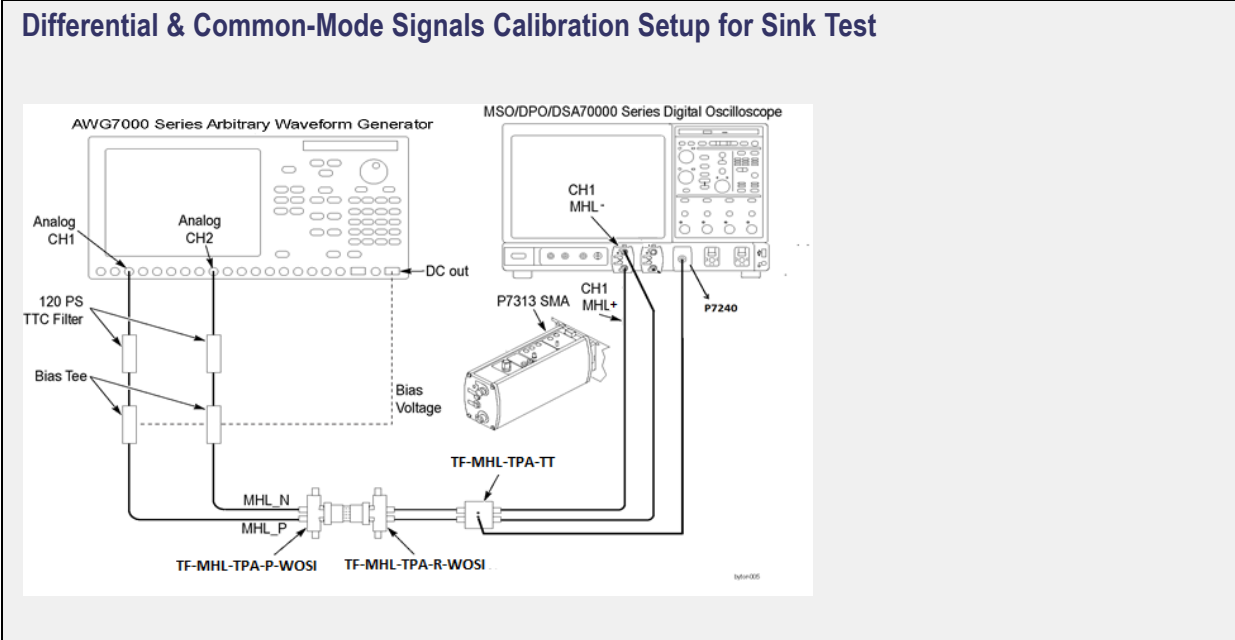
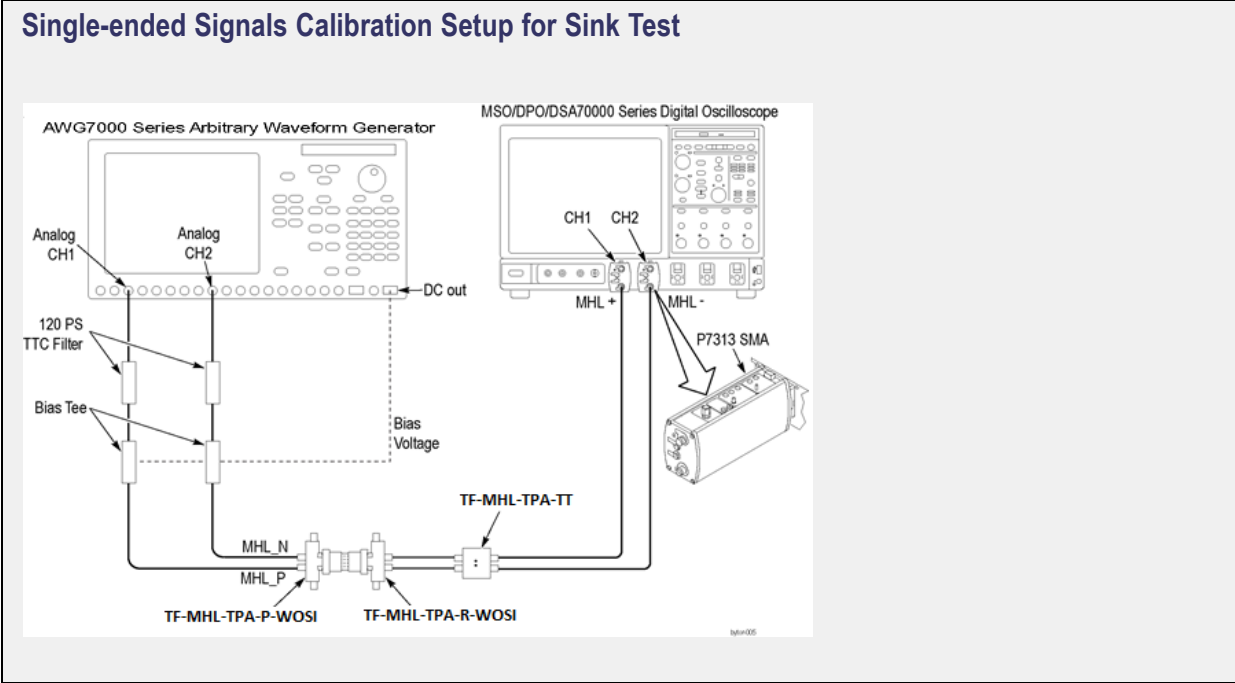
Connect the equipment as shown in [MHL Input Signal DC Voltage Level Test \(see page 163\)](#).

### Measurement Algorithm

1. Connect the equipment as shown for [Single-Ended Signals Calibration Setup for Sink Tests \(see page 164\)](#) and [Differential & Common-Mode Signals Calibration Setup for Sink Tests \(see page 164\)](#). Set  $V_{TERM} = 3.3V$ , AWG Ch1 transmitting MHL+ and AWG Ch2 transmitting MHL- signals. Ensure the Bias Tees are used at the output of the AWG channels along with 120ps filters.
2. Calibrate the Signal Generator AWG7122C output for the following settings.
  - a. Frequency: Highest frequency supported by the Sink DUT
  - b. Pattern: MHL Gray Ramp data streams
  - c. Rise/fall times:
    - Less than or equal to 2.25Gbps  
Differential signal 200ps (20% - 80%), Common-mode signal 600ps (20% - 80%)
    - Less than or equal to 2.25Gbps  
Differential signal 200ps (20% - 80%), Common-mode signal 600ps (20% - 80%)
  - d. Swing voltages: Differential signal 800mV, Common-mode signal 540mV
3. DC level of the output single-ended signal:  $V_{TERM} - 300mV$
4. Connect the equipment [MHL Input Signal DC Voltage Level Test \(see page 163\)](#) with the CBus Source board connected to the Tektronix fixture CBus and VBus ports.
5. Turn on the DUT and enable MHL mode through Device Discovery and CBus Information Exchange with the CBus Source board.
6. Examine the output of the Sink through the display image.
7. Record errors on the display if any for the given  $V_{TERM}$ , frequency and DC voltage level.
8. Set DC level of the output single-ended signal:  $V_{TERM} - 1200mV$
9. Turn on the DUT and enable MHL mode through Device Discovery and CBus Information Exchange with the CBus Source board.
10. Examine the output of the Sink through the display image.

11. Record errors on the display if any for the given  $V_{TERM}$ , frequency and DC voltage level.
12. If there is no error on the display in all recorded results, then PASS. Otherwise FAIL.





## 4.1.1.2 Input Signal Minimum and Maximum Swing Voltages Tolerance

This MHL Receiver test confirms that the sink device supports input signal DC voltage level and swing voltage allowed by the specification.

### Required Test Equipment

In addition to the DUT and high-bandwidth digital oscilloscope, you will need the following:

- MHL Signal Generator: AWG7122C with option 01, 02 or 06 and 08 and Option SDX with Direct Synthesis capability, to simulate Cable emulator effect and Rise time filter effect.
- Test Fixture: 1 set TF-MHL-TPA-P-WOSI
- Rise time Filter: 2 Picosecond Pulse labs 120PS
- Bias Tees: 2 Mini Circuits Bias Tees ZX85-12G-S+
- CBUS Source Board: Simplay Labs MHL Rx/Tx Analyzer SL-860 (Sink DUT Port)

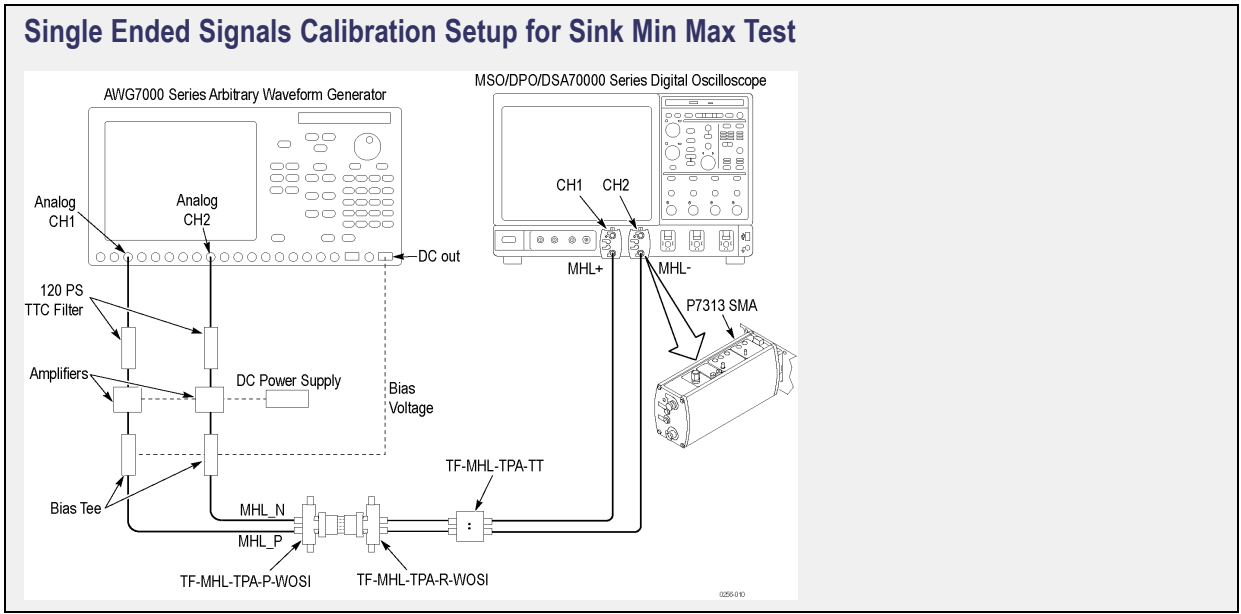
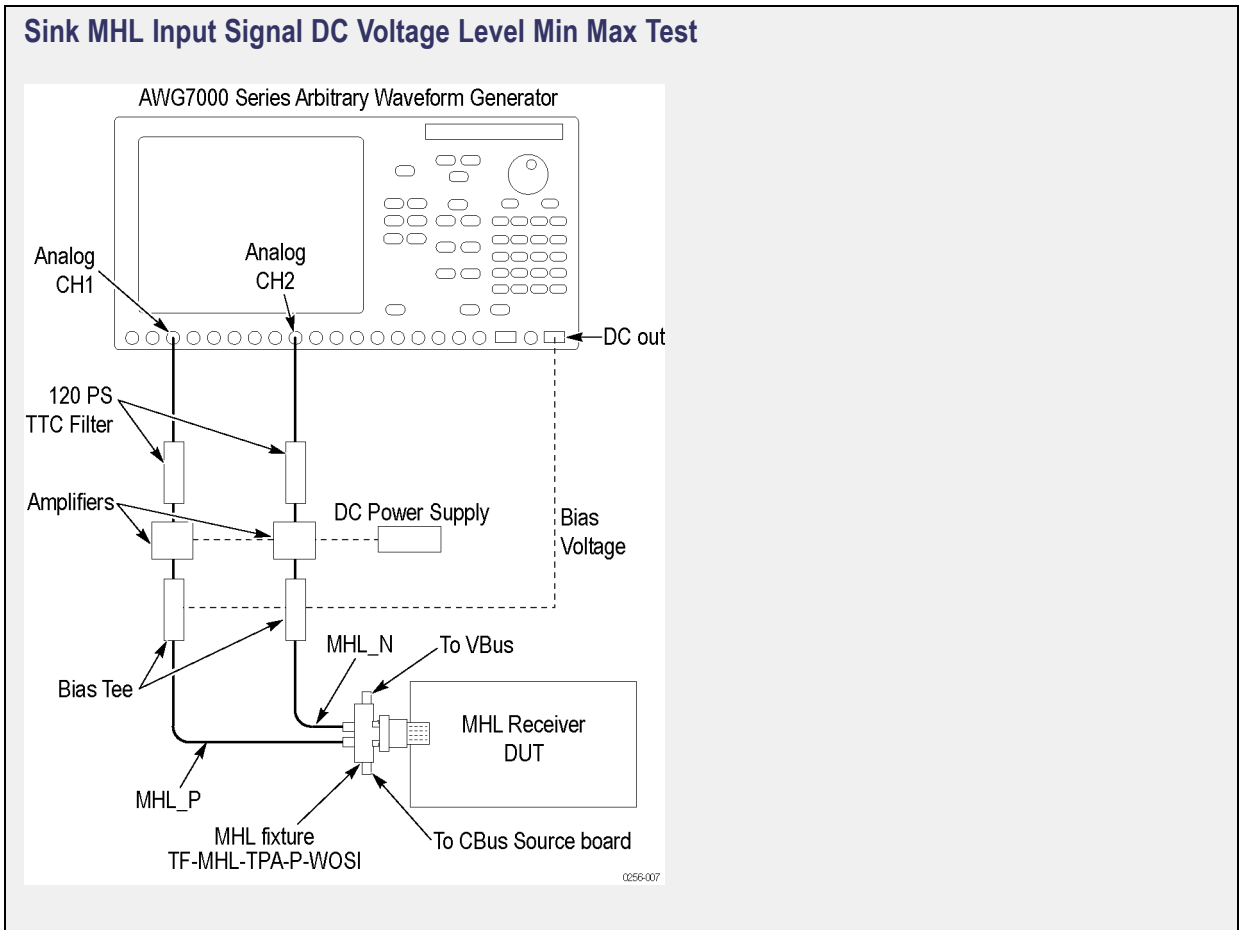
Make the connection as shown in [Sink MHL Input Signal DC Voltage Level Min-Max Test \(see page 167\)](#) and [Amplifier Connections to DC Power Supply \(see page 168\)](#) after signal calibration is done. Set the DUT to operate in normal mode.

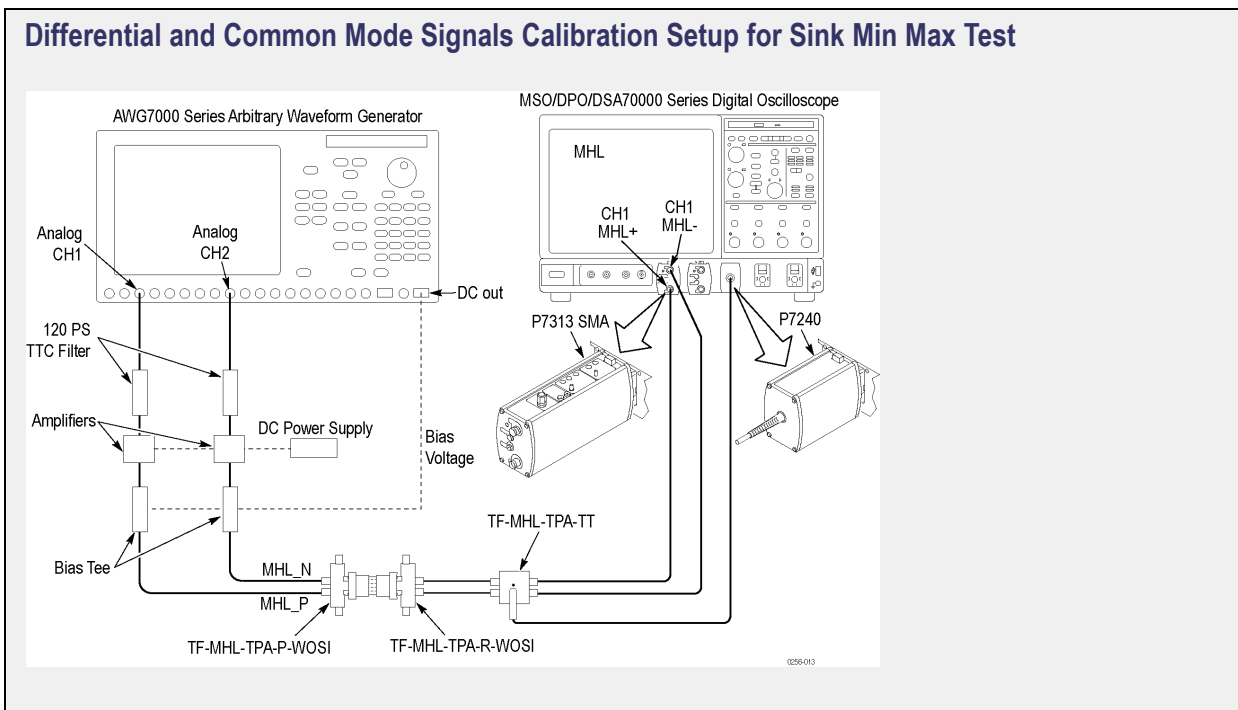
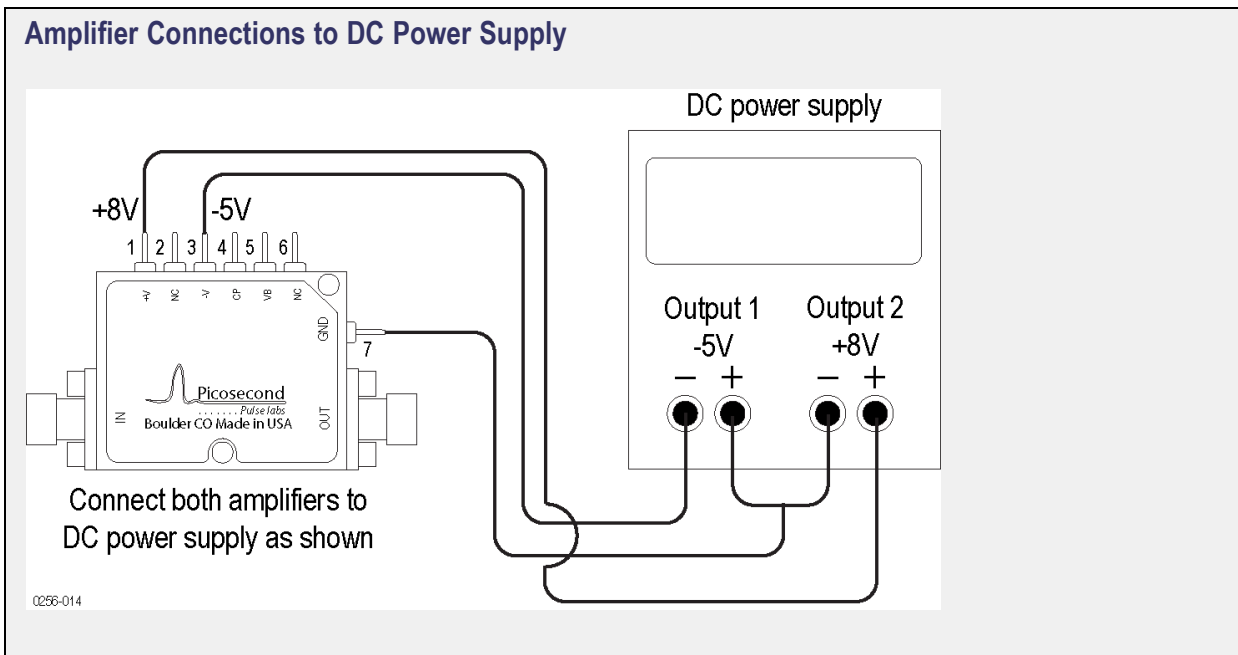
### Measurement Algorithm

The below procedure is fully automated by Tektronix MHL Compliance Software (Option MHD).

1. Connect the equipment as shown for [Single Ended Signals Calibration Setup for Sink Min Max Test \(see page 167\)](#), and [Differential and Common Mode Signals Calibration Setup for Min Max Test \(see page 168\)](#). Set  $V_{\text{TERM}} = 3.3\text{V}$ , AWG Ch1 transmitting MHL+ and AWG Ch2 transmitting MHL- signals. Ensure the Bias Tees are used at the output of the AWG channels along with 120ps filters.
2. Calibrate the Signal Generator AWG7122C output for the following settings.
  - a. Frequency: Highest frequency supported by the Sink DUT
  - b. Pattern: MHL Gray Ramp data streams
  - c. Rise/fall times:
    - Less than or equal to 2.25Gbps  
Differential signal 200ps (20% - 80%), Common-mode signal 600ps (20% - 80%)
    - Above 2.25Gbps  
Differential signal 100ps (20% - 80%), Common-mode signal 600ps (20% - 80%)
  - d. Swing voltages: Differential signal 800mV, Common-mode signal 540mV
  - e. DC level of the output single-ended signal:  $V_{\text{TERM}} - 750\text{mV}$
3. Connect the equipment as shown in [Sink MHL Input Signal DC Voltage Level Min-Max Test \(see page 167\)](#) with CBus Source board connected to Tektronix fixture CBus and VBus ports.
4. Turn on the DUT and enable MHL mode through Device Discovery and CBus Information Exchange with the CBus Source board.
5. Examine the output of the Sink through the display image.
6. Record errors on the display if any for the given  $V_{\text{TERM}}$ , frequency and differential and common-mode swing voltages.

7. Adjust the differential swing voltage to 1000mV, the common-mode swing voltage to 720mV and the DC level of the output single-ended signal to  $V_{\text{TERM}} - 1200\text{mV}$ .
8. Connect the equipment as shown in as shown in [Sink MHL Input Signal DC Voltage Level Min-Max Tests \(see page 167\)](#).
9. Turn on the DUT and enable MHL mode through Device Discovery and CBus Information Exchange with the CBus Source board.
10. Examine the output of the Sink through the display image.
11. Record errors on the display if any for the given  $V_{\text{TERM}}$ , frequency and differential and common-mode swing voltages.
12. Adjust the differential swing voltage to 200mV, the common-mode swing voltage to 170mV and the DC level of the output single-ended signal to  $V_{\text{TERM}} - 300\text{mV}$ .
13. Connect the equipment as shown in as shown in [Sink MHL Input Signal DC Voltage Level Min-Max Tests \(see page 167\)](#).
14. Turn on the DUT and enable MHL mode through Device Discovery and CBus Information Exchange with the CBus Source board.
15. Examine the output of the Sink through the display image.
16. Record errors on the display if any for the given  $V_{\text{TERM}}$ , frequency and differential and common-mode swing voltages.
17. If there is no error on the display in all recorded results, then PASS. Otherwise FAIL.





## 4.1.1.3 Intra-Pair Skew Tolerance Test

This MHL Receiver test confirms that the sink device supports input signal DC voltage level and swing voltage allowed by the specification.



## Required Test Equipment

In addition to the DUT and high-bandwidth digital oscilloscope, you will need the following:

- MHL Signal Generator: AWG7122C with option 01, 02 or 06 and 08 and Option SDX with Direct Synthesis capability, to simulate Cable emulator effect and Rise time filter effect.
- Test Fixture: 1 set TF-MHL-TPA-P-WOSI
- Rise time Filter: 2 Picosecond Pulse labs 120PS
- Bias Tees: 2 Mini Circuits Bias Tees ZX85–12G-S+
- CBUS Source Board: Simplay Labs MHL Rx/Tx Analyzer SL-860 (Sink DUT Port)

Connect the equipment as shown in [MHL Input Signal DC Voltage Level Test \(see page 163\)](#).

## Measurement Algorithm

1. Connect the equipment as shown for [Single-Ended Signals Calibration Setup for Sink Test \(see page 164\)](#) and [Differential & Common-Mode Signals Calibration Setup for Sink Test \(see page 164\)](#). Set  $V_{\text{TERM}} = 3.3\text{V}$ , AWG Ch1 transmitting MHL+ and AWG Ch2 transmitting MHL- signals. Ensure the Bias Tees are used at the output of the AWG channels along with 120ps filters.
2. Calibrate the Signal Generator AWG7122C output for the following settings.
  - a. Frequency: Highest frequency supported by the Sink DUT
  - b. Pattern: MHL Gray Ramp data streams
  - c. Rise/fall times:
    - Less than or equal to 2.25Gbps  
Differential signal 200ps (20% - 80%), Common-mode signal 600ps (20% - 80%)
    - Less than or equal to 2.25Gbps  
Differential signal 200ps (20% - 80%), Common-mode signal 600ps (20% - 80%)
  - a. Swing voltages: Differential signal 800mV, Common-mode signal 540mV
  - b. DC level of the output single-ended signal:  $V_{\text{TERM}} - 750\text{mV}$
  - c. Intra-pair skew: Differential skew 0ps, Common-mode skew 0ps
3. Connect the equipment as shown in [MHL Input Signal DC Voltage Level Test \(see page 163\)](#) with the CBus Source board connected to the Tektronix fixture CBus port.
4. Turn on the DUT and enable MHL mode through Device Discovery and CBus Information Exchange with the CBus Source board.
5. Examine the output of the Sink through the display image.
6. Confirm that there is no error on the display. If there is any error, STOP. The test Failed.

7. Increase the intra-pair skew of differential signal and common-mode signal by the same amount to the maximum where error appears on the display. Make the positive channel leads the negative channel in time, which is called positive skew direction.
8. Record the maximum intra-pair skew for the given  $V_{\text{TERM}}$ , frequency and skew direction.
9. Set the differential and common-mode intra-pair skews to 0ps.
10. Increase the intra-pair skew of differential signal and common-mode signal by the same amount to the maximum where error appears on the display. Make the positive channel lags the negative channel in time, which is called negative skew direction.
11. Record the maximum intra-pair skew for the given  $V_{\text{TERM}}$ , frequency and skew direction.

### 4.1.1.4 Jitter Tolerance Test

This MHL Receiver test confirms that the sink device can tolerate the maximum clock and data jitter amounts allowed by the specification.

#### Required Test Equipment

In addition to the DUT and high-bandwidth digital oscilloscope, you will need the following:

- MHL Signal Generator: AWG7122C with option 01, 02 or 06 and 08 and Option SDX with Direct Synthesis capability, to simulate Cable emulator effect and Rise time filter effect.
- Test Fixture: 1 set TF-MHL-TPA-P-WOSI
- Rise time Filter: 2 Picosecond Pulse labs 120PS
- Bias Tees: 2 Mini Circuits Bias Tees ZX85–12G-S+
- CBUS Source Board: Simplay Labs MHL Rx/Tx Analyzer SL-860 (Sink DUT Port)

Connect the equipment as shown in [MHL Input Signal DC Voltage Level Test \(see page 163\)](#).

#### Measurement Algorithm

1. Connect the equipment as shown for [Single-Ended Signals Calibration Setup for Sink Tests \(see page 164\)](#) and [Differential & Common-Mode Signals Calibration Setup for Sink Tests \(see page 164\)](#). Set  $V_{\text{TERM}} = 3.3\text{V}$ , AWG Ch1 transmitting MHL+ and AWG Ch2 transmitting MHL- signals. Ensure the Bias Tees are used at the output of the AWG channels along with 120ps filters.
2. Calibrate the Signal Generator AWG7122C output for the following settings.
  - a. Frequency: Lowest frequency supported by the Sink DUT
  - b. Pattern: MHL Gray Ramp data streams
  - c. Rise/fall times:
    - Less than or equal to 2.25Gbps

Differential signal 200ps (20% - 80%), Common-mode signal 600ps (20% - 80%)

- Less than or equal to 2.25Gbps

Differential signal 200ps (20% - 80%), Common-mode signal 600ps (20% - 80%)

- d. Swing voltages: Differential signal 800mV, Common-mode signal 360mV
- e. DC level of the output single-ended signal:  $V_{\text{TERM}} - 540\text{mV}$
3. Set the clock jitter frequency to 10MHz and the data jitter frequency to 500KHz. Inject clock jitter and data jitter to the TP1 maximum amount specified in MHL Spec for the given clock frequency.
4. Adjust the differential signal swing to get the marginal eye diagram specified in MHL Spec.
5. Generate MHL signals with Cable emulator effects using the innovative Direct Synthesis capability of AWG7122C.
6. Connect the equipment as shown in [MHL Input Signal DC Voltage Level Test \(see page 163\)](#) with the CBus Source board connected to the Tektronix fixture CBus and VBus ports.
7. Turn on the DUT and enable MHL mode through Device Discovery and CBus Information Exchange with the CBus Source board.
8. Examine the output of the Sink through the display image.
9. Record error on the display if any for the given  $V_{\text{TERM}}$ , clock frequency, jitter frequency and clock edge location.
10. Change the common-mode clock edge location by  $0.1T_{\text{bit}}$  step with respect the differential data edge for 10 times.
11. Examine the display at each step and record error on the display if any for the given  $V_{\text{TERM}}$ , clock frequency, jitter frequency and clock edge location.
12. Repeat the above steps 4-11 for clock jitter frequency 7MHz and data jitter frequency 1MHz.
13. Repeat the above steps 2-12 for the minimum resolution supported by the DUT.
14. If there is no error on the display in all recorded results, then PASS. Otherwise FAIL.

### 5.1.1.1 Input Signal Single-Ended Voltage Level Tolerance

This MHL Receiver test confirms that the dongle device supports input signal single-ended voltage level allowed by the specification.

#### Required Test Equipment

In addition to the DUT and high-bandwidth digital oscilloscope, you will need the following:

- MHL Signal Generator: AWG7122C with option 01, 02 or 06 and 08 and Option SDX with Direct Synthesis capability, to simulate Cable emulator effect and Rise time filter effect.
- Rise time Filter: 2 Picosecond Pulse labs 120PS

- Test Fixture: 1 set TF-MHL-TPA-R-WOSO
- DC Power Supply: PWS4205 or PWS2185
- Bias Tees: 2 Mini Circuits Bias Tees ZX85-12G-S+
- CBUS Source Board: Simplay Labs MHL Rx/Tx Analyzer SL-860 (Sink DUT Port)
- A/V Display

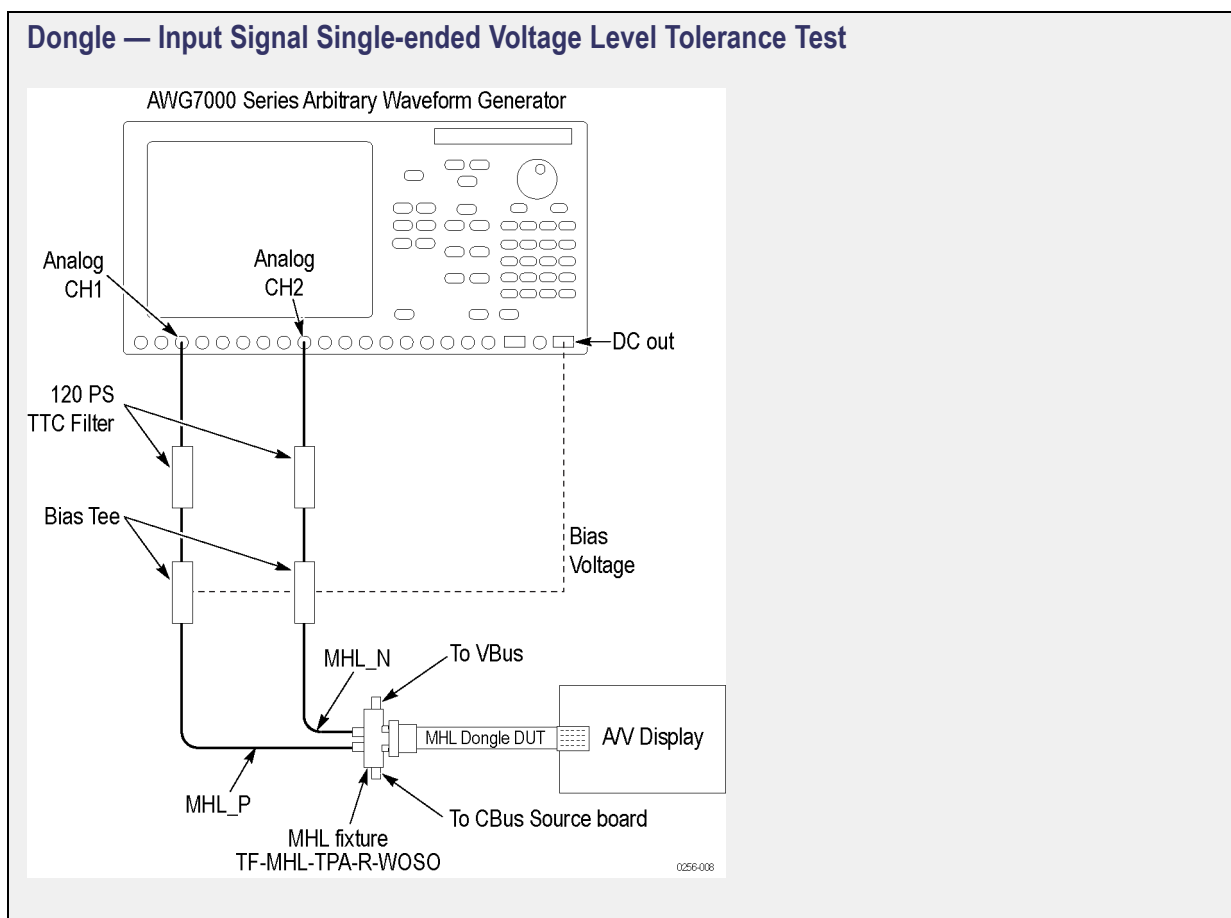
Make the connection as shown in [Dongle – Input Signal Single-Ended Voltage Level Tolerance Test \(see page 173\)](#) after calibration is done. Set the DUT to operate in normal mode.

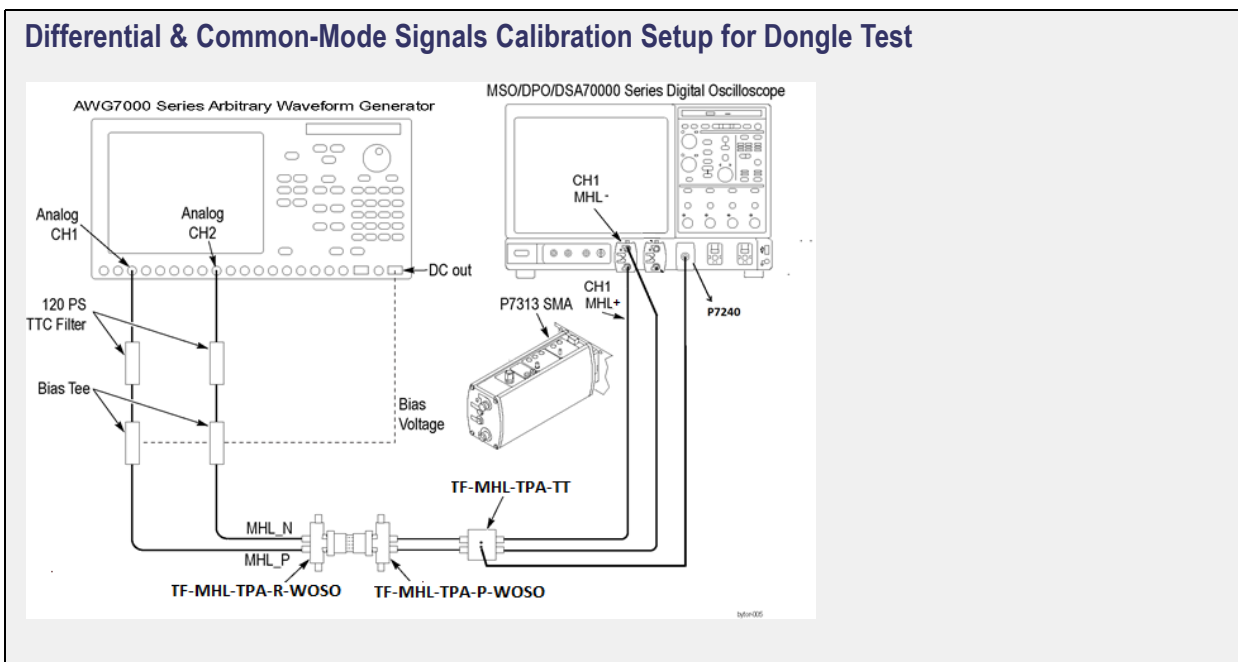
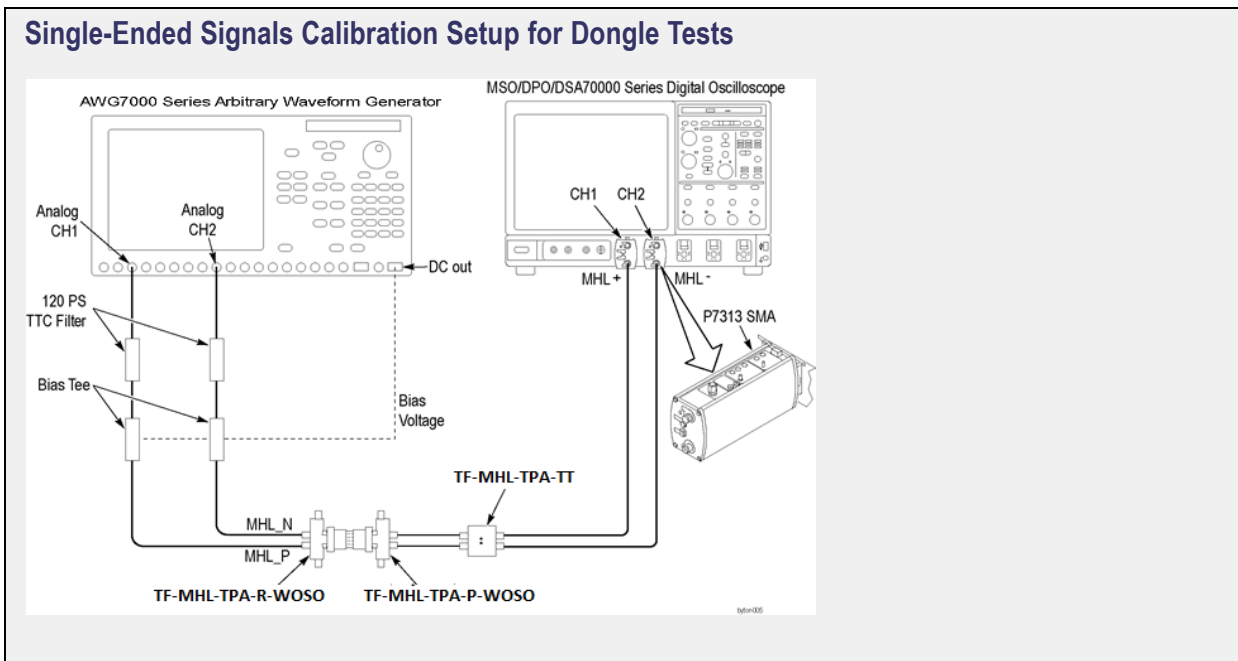
### Measurement Algorithm

The below procedure is fully automated by Tektronix MHL Compliance Software (Option MHD).

1. Connect the equipment as shown in [Single-Ended Signals Calibration Setup for Dongle Tests \(see page 174\)](#) and as shown in [Differential & Common-Mode Signals Calibration Setup for Dongle Tests \(see page 174\)](#). Set  $V_{\text{TERM}} = 3.3\text{V}$ , AWG Ch1 transmitting MHL+ and AWG Ch2 transmitting MHL- signals. Ensure the Bias Tees are used at the output of the AWG channels along with 120ps filters.
2. Calibrate the MHL Signal Generator AWG7122C output for the following settings. (Calibration of differential and common-mode signals).
  - a. Frequency: Highest frequency supported by the Dongle DUT
  - b. Pattern: MHL Gray Ramp data streams
  - c. Rise/fall times:
    - Less than or equal to 2.25Gbps  
Differential signal 200ps (20% - 80%), Common-mode signal 600ps (20% - 80%)
    - Less than or equal to 2.25Gbps  
Differential signal 200ps (20% - 80%), Common-mode signal 600ps (20% - 80%)
  - d. Swing voltages: Differential signal 800mV, Common-mode signal 540mV e.
3. Adjust the DC level of the MHL Signal Generator AWG7122C so that  $V_{\text{SE\_HIGH}} = V_{\text{TERM}} + 10\text{ mV}$ ,  $V_{\text{SE\_HIGH}} = V_{\text{TERM}} - 540\text{ mV}$ ,  $V_{\text{SE\_LOW}} = V_{\text{TERM}} - 700\text{ mV}$  and  $V_{\text{SE\_LOW}} = V_{\text{TERM}} - 1760\text{ mV}$ . Record the DC level setting for each single-ended value setting. (Calibration of single-ended signals)
4. Connect the equipment as shown in [Dongle – Input Signal Single-Ended Voltage Level Tolerance Test \(see page 173\)](#) with CBus Source board connected to Tektronix fixture CBus port. Provide VBus if DUT is unpowered dongle. Do not provide VBus if DUT is powered dongle.
5. Turn on the DUT and enable the MHL mode through Device Discovery and CBUS Information Exchange with the CBUS Source board.

6. Adjust the DC level of the MHL Signal Generator AWG7122C output so that  $V_{SE\_HIGH} = V_{TERM} + 10 \text{ mV}$ .
7. Examine the output of the Dongle DUT on the Display.
  - Record errors on the display if any for the given  $V_{TERM}$ , frequency and single-ended voltage.
8. Adjust the DC level of the output so that  $V_{SE\_HIGH} = V_{TERM} - 540 \text{ mV}$ .
9. Examine the output of the Dongle DUT on the Display.
  - Record errors on the display if any for the given  $V_{TERM}$ , frequency and single-ended voltage.
10. Adjust the DC level of the output so that  $V_{SE\_LOW} = V_{TERM} - 700 \text{ mV}$ .
11. Examine the output of the Dongle DUT on the Display.
  - Record errors on the display if any for the given  $V_{TERM}$ , frequency and single-ended voltage.
12. Adjust the DC level of the output so that  $V_{SE\_LOW} = V_{TERM} - 1760 \text{ mV}$ .
13. Examine the output of the Dongle DUT on the Display.
  - Record errors on the display if any for the given  $V_{TERM}$ , frequency and single-ended voltage.
14. If there is no error on the display in all recorded results, then PASS. Otherwise FAIL.





## 5.1.1.2 Input Signal Minimum and Maximum Swing Voltage Tolerance Test

This MHL Receiver test confirms that the dongle device supports input signal minimum and maximum swing voltages allowed by the specification.

## Required Test Equipment

In addition to the DUT and high-bandwidth digital oscilloscope, you will need the following:

- MHL Signal Generator: AWG7122C with option 01, 02 or 06 and 08 and Option SDX with Direct Synthesis capability, to simulate Cable emulator effect and Rise time filter effect.
- Rise time Filter: 2 Picosecond Pulse labs 120PS
- Test Fixture: 1 set TF-MHL-TPA-R-WOSO
- DC Power Supply: PWS4205 or PWS2185
- Bias Tees: 2 Mini Circuits Bias Tees ZX85–12G-S+
- CBUS Source Board: Simplay Labs MHL Rx/Tx Analyzer SL-860 (Sink DUT Port)
- A/V Display

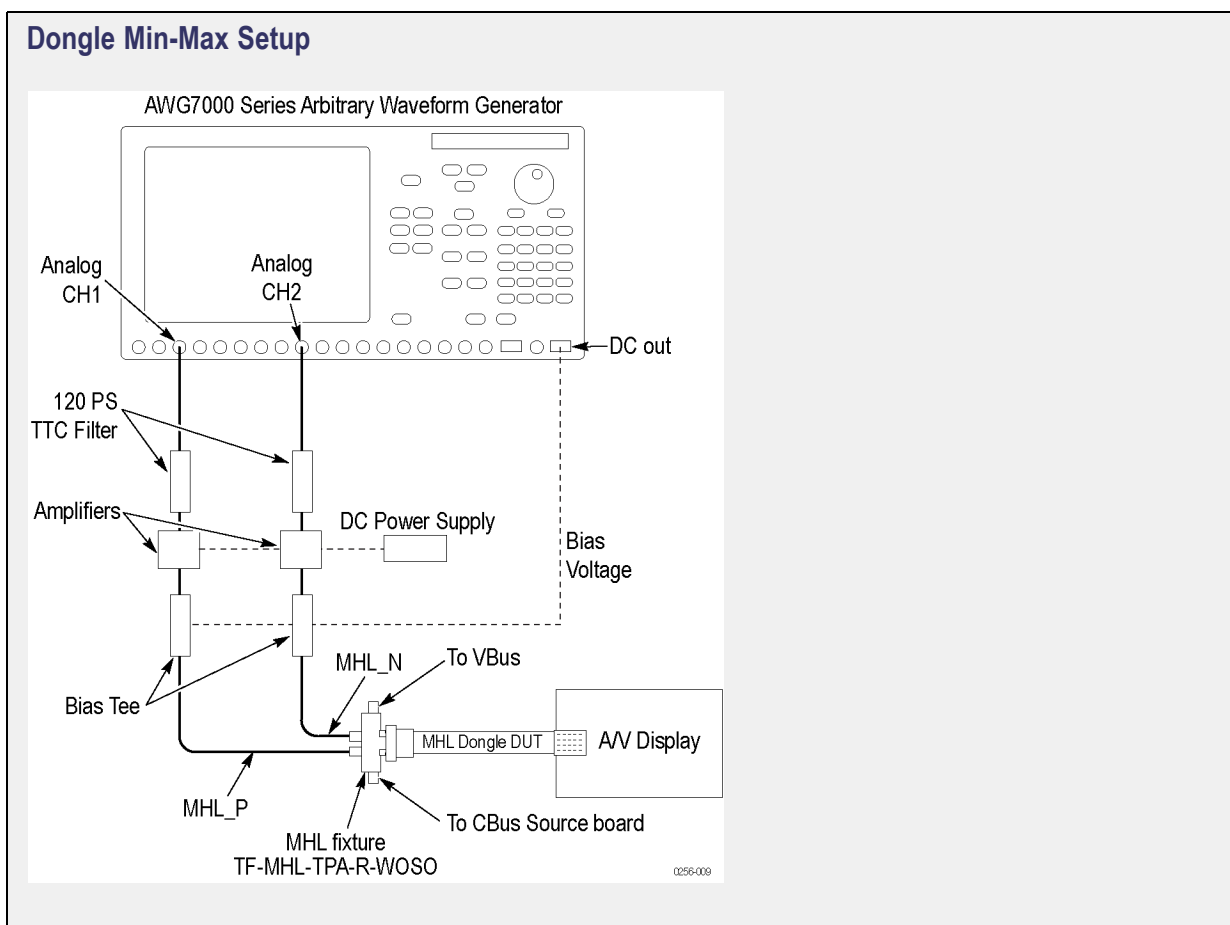
Make the connection as shown in [Dongle Min-Max Setup \(see page 176\)](#) and [Amplifier Connections to DC Power Supply \(see page 177\)](#) after calibration is done. Set the DUT to operate in normal mode.

## Measurement Algorithm

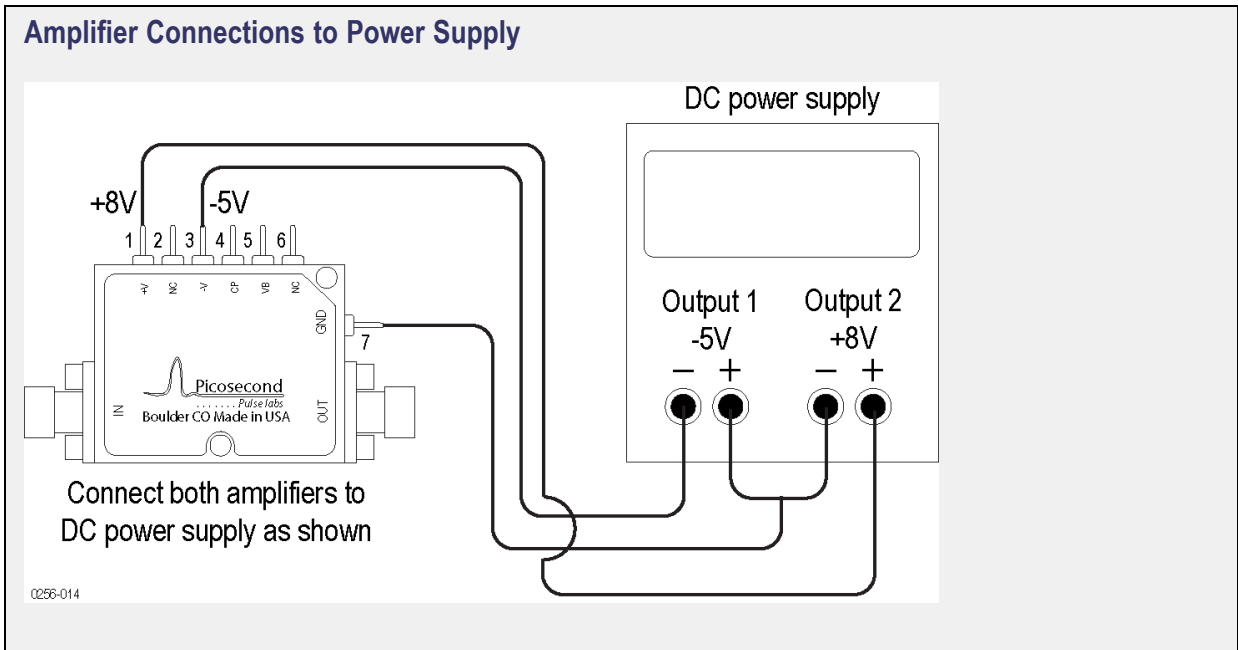
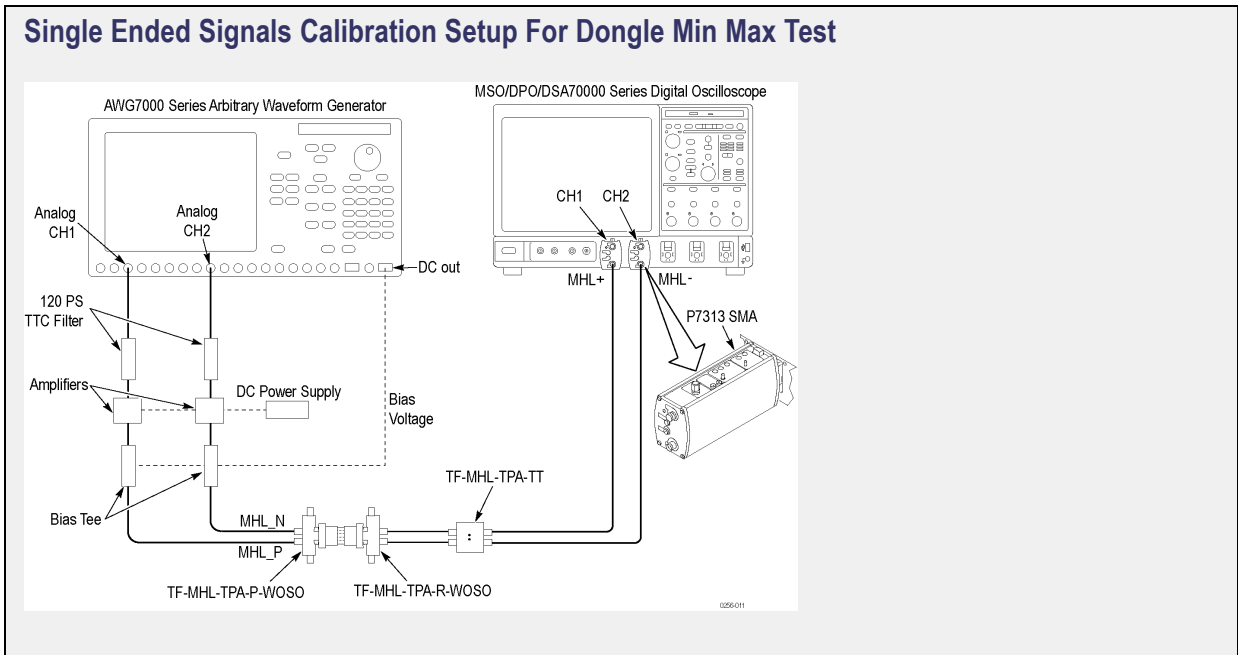
The below procedure is fully automated by Tektronix MHL Compliance Software (Option MHD).

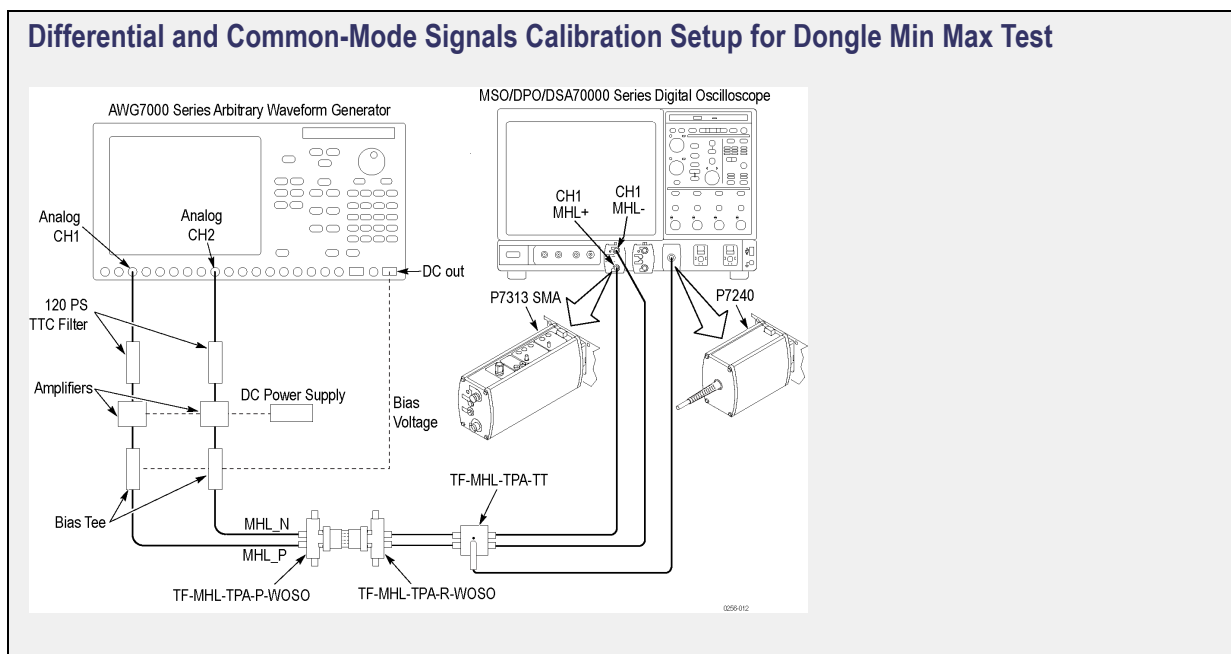
1. Connect the equipment as shown in [Single Ended Signals Calibration Setup For Dongle Min Max Test \(see page 177\)](#) and as shown in [Differential and Common-Mode Signals Calibration Setup for Dongle Min Max Test \(see page 178\)](#). Set  $V_{\text{TERM}} = 3.3\text{V}$ , AWG Ch1 transmitting MHL+ and AWG Ch2 transmitting MHL- signals. Ensure the Bias Tees are used at the output of the AWG channels along with 120ps filters.
2. Calibrate the MHL Signal Generator AWG7122C output for the following settings.
  - a. Frequency: Highest frequency supported by the Dongle DUT
  - b. Pattern: MHL Gray Ramp data streams
  - c. Rise/fall times:
    - Less than or equal to 2.25Gbps  
Differential signal 200ps (20% - 80%), Common-mode signal 600ps (20% - 80%)
    - Less than or equal to 2.25Gbps  
Differential signal 200ps (20% - 80%), Common-mode signal 600ps (20% - 80%)
3. Adjust the DC level and swing amplitudes of the MHL Signal Generator AWG7122C so that  $V_{\text{SE\_HIGH}} = V_{\text{TERM}} + 10\text{ mV}$ ,  $V_{\text{SFSWING}} = 600\text{ mV}$  and  $V_{\text{CMSWING}} = 360\text{ mV}$ . Record the DC level and swing amplitude settings.
4. Adjust the DC level and swing amplitudes of the MHL Signal Generator AWG7122C so that  $V_{\text{SE\_LOW}} = V_{\text{TERM}} - 1760\text{ mV}$ ,  $V_{\text{DFS WING}} = 1000\text{ mV}$  and  $V_{\text{CMSWING}} = 720\text{ mV}$ . Record the DC level and swing amplitude settings.

5. Connect the equipment as shown in [Single-Ended Signals Calibration Setup for Dongle Tests \(see page 174\)](#) with the CBus Source board connected to the Tektronix fixture CBus port. Provide VBus if DUT is unpowered dongle. Do not provide VBus if DUT is powered dongle.
6. Turn on the DUT and enable the MHL mode through Device Discovery and CBUS Information Exchange with the CBUS Source board.
7. Adjust the DC level of the MHL Signal Generator so that  $V_{SE\_HIGH} = V_{TERM} + 10 \text{ mV}$ ,  $V_{DFSWING} = 600 \text{ mV}$  and  $V_{CMSWING} = 360 \text{ mV}$ .
8. Examine the output of the Dongle DUT on the Display.
  - Record errors on the display, if any, for the given  $V_{TERM}$ , frequency and single-ended voltage.
9. Adjust the DC level and swing amplitudes of the MHL Signal Generator so that  $V_{SE\_LOW} = V_{TERM} - 1760 \text{ mV}$ ,  $V_{DFSWING} = 1000 \text{ mV}$  and  $V_{CMSWING} = 720 \text{ mV}$ .
10. Examine the output of the Dongle DUT on the Display.
  - Record errors on the display if any for the given  $V_{TERM}$ , frequency and single-ended voltage.
11. If there is no error on the display in all recorded results, then PASS. Otherwise FAIL.









### 5.1.1.3 Intra-Pair Skew Tolerance Test

This MHL Receiver test confirms that the dongle device can tolerate the maximum intra-pair skew allowed by the specification.

#### Required Test Equipment

In addition to the DUT and high-bandwidth digital oscilloscope, you will need the following:

- MHL Signal Generator: AWG7122C with option 01, 02 or 06 and 08 and Option SDX with Direct Synthesis capability, to simulate Cable emulator effect and Rise time filter effect.
- Rise time Filter: 2 Picosecond Pulse labs 120PS
- Test Fixture: 1 set TF-MHL-TPA-R-WOSO
- DC Power Supply: PWS4205 or PWS2185
- Bias Tees: 2 Mini Circuits Bias Tees ZX85-12G-S+
- CBUS Source Board: Simplay Labs MHL Rx/Tx Analyzer SL-860 (Sink DUT Port)
- A/V Display

Make the connection as shown in [Dongle – Input Signal Single-Ended Voltage Level Tolerance Test \(see page 173\)](#) after calibration is done.

## Measurement Algorithm

The below procedure is fully automated by Tektronix MHL Compliance Software (Option MHD).

1. Connect the equipment as shown in [Single-Ended Signals Calibration Setup for Dongle Tests \(see page 174\)](#) and as shown in [Differential & Common-Mode Signals Calibration Setup for Dongle Tests \(see page 174\)](#). Set  $V_{\text{TERM}} = 3.3\text{V}$ , AWG Ch1 transmitting MHL+ and AWG Ch2 transmitting MHL- signals. Ensure the Bias Tees are used at the output of the AWG channels along with 120ps filters.
2. Calibrate the MHL Signal Generator AWG7122C output for the following settings.
  - a. Frequency: Highest frequency supported by the Dongle DUT
  - b. Pattern: MHL Gray Ramp data streams
  - c. Rise/fall times:
    - Less than or equal to 2.25Gbps  
Differential signal 200ps (20% - 80%), Common-mode signal 600ps (20% - 80%)
    - Less than or equal to 2.25Gbps  
Differential signal 200ps (20% - 80%), Common-mode signal 600ps (20% - 80%)
  - d. Swing voltages: Differential signal 800mV, Common-mode signal 540mV
  - e. DC level of the output single-ended signal:  $V_{\text{TERM}} - 750\text{mV}$
  - f. Intra-pair skew: Differential skew 0ps, Common-mode skew 0ps
3. Connect the equipment as shown in [Dongle – Input Signal Single-Ended Voltage Level Tolerance Test \(see page 173\)](#) with the CBus Source board connected to the Tektronix fixture CBus port. Provide VBus if DUT is unpowered dongle. Do not provide VBus if DUT is powered dongle.
4. Turn on the DUT and enable the MHL mode through Device Discovery and CBUS Information Exchange with the CBUS Source board.
5. Examine the output of the Dongle DUT on the Display.
6. Confirm that there is no error on the display. If there is any error on the display, STOP. The test FAILED.
7. Increase the intra-pair skew of differential signal and common-mode signal by the same amount to the maximum where error appears on the display. Make the positive channel leads the negative channel in time, which is called positive skew direction.
8. Record the maximum intra-pair skew for the given  $V_{\text{TERM}}$ , frequency and skew direction.
9. Set the differential and common-mode intra-pair skews to 0ps.
10. Increase the intra-pair skew of differential signal and common-mode signal by the same amount to the maximum where error appears on the display. Make the positive channel lags the negative channel in time, which is called negative skew direction.

11. Record the maximum intra-pair skew for the given  $V_{\text{TERM}}$ , frequency and skew direction.
12. If the all recorded maximum intra-pair skew value is larger than the spec limit, then PASS. Otherwise FAIL

## 5.1.1.4 Jitter Tolerance Test

This MHL Receiver test confirms that the dongle device can tolerate the maximum clock and data jitter amounts allowed by the specification.

### Required Test Equipment

In addition to the DUT and high-bandwidth digital oscilloscope, you will need the following:

- MHL Signal Generator: AWG7122C with option 01, 02 or 06 and 08 and Option SDX with Direct Synthesis capability, to simulate Cable emulator effect and Rise time filter effect.
- Rise time Filter: 2 Picosecond Pulse labs 120PS
- Test Fixture: 1 set TF-MHL-TPA-R-WOSO
- DC Power Supply: PWS4205 or PWS2185
- Bias Tees: 2 Mini Circuits Bias Tees ZX85–12G-S+
- CBUS Source Board: Simplay Labs MHL Rx/Tx Analyzer SL-860 (Sink DUT Port)
- A/V Display

Make the connection as shown in [Dongle – Input Signal Single-Ended Voltage Level Tolerance Test \(see page 173\)](#) after calibration is done.

### Measurement Algorithm

The below procedure is fully automated by Tektronix MHL Compliance Software (Option MHD).

1. Connect the equipment as shown in [Single-Ended Signals Calibration Setup for Dongle Tests \(see page 174\)](#) and as shown in [Differential & Common-Mode Signals Calibration Setup for Dongle Tests \(see page 174\)](#). Set  $V_{\text{TERM}} = 3.3\text{V}$ , AWG Ch1 transmitting MHL+ and AWG Ch2 transmitting MHL- signals. Ensure the Bias Tees are used at the output of the AWG channels along with 120ps filters.
2. Calibrate the MHL Signal Generator AWG7122C output for the following settings.
  - a. Frequency: Highest frequency supported by the Dongle DUT
  - b. Pattern: MHL Gray Ramp data streams
  - c. Rise/fall times:
    - Less than or equal to 2.25Gbps

- Differential signal 200ps (20% - 80%), Common-mode signal 600ps (20% - 80%)
- Less than or equal to 2.25Gbps
- Differential signal 200ps (20% - 80%), Common-mode signal 600ps (20% - 80%)
- d. Swing voltages: Differential signal 800mV, Common-mode signal 360mV
  - e. DC level of the output single-ended signal:  $V_{\text{TERM}} - 540\text{mV}$
3. Set the clock jitter frequency to 10MHz and the data jitter frequency to 500KHz. Inject clock jitter and data jitter with TP1 maximum amount specified in MHL Spec for the given frequency. 4. Adjust the differential signal swing to the marginal TP1 eye opening specified in MHL Spec for the given frequency.
  4. Adjust the differential signal swing to the marginal TP1 eye opening specified in MHL Spec for the given frequency.
  5. Connect the equipment as shown in [Dongle – Input Signal Single-Ended Voltage Level Tolerance Test \(see page 173\)](#) with the CBus Source board connected to the Tektronix fixture CBus port. Provide VBus if DUT is unpowered dongle. Do not provide VBus if DUT is powered dongle.
  6. Turn on the DUT and enable the MHL mode through Device Discovery and CBUS Information Exchange with the CBUS Source board.
  7. Examine the output of the Dongle DUT on the Display.
  8. Record error on the Display if any for the given  $V_{\text{TERM}}$ , clock frequency, jitter frequency and clock edge location.
  9. Change the common-mode clock edge location by 0.1Tbit step with respect the differential data edge for 10 times and examine the Display at each step.
  10. Record error on the Display if any for the given  $V_{\text{TERM}}$ , clock frequency, jitter frequency and clock edge location.
  11. Repeat the above test for clock jitter frequency 7MHz and data jitter frequency 1MHz.
  12. Repeat the above test for the minimum resolution supported by the DUT.
  13. If there is no error on the display in all recorded results, then PASS. Otherwise FAIL.



## Measurement Parameter Descriptions (MHL Transmitter)

View or change measurement parameters in the **Configuration** tab of the Setup panel. Measurement parameters are displayed for the test selected in the tree view section. Not all of the parameters listed apply to all tests, and some are only available when running tests in **User Defined** Mode. You cannot change most parameters if you selected **Compliance** Mode.

**Table 22: MHL Transmitter Clock and MHL Data measurements**

Parameter type	Parameter	Description	Applies to ...
Scope Settings	Sample Rate	Specified in GS/s. How often the digital oscilloscope takes a snapshot or sample of the signal.	All tests
	Record Length (M)	Set the record length to use.	All tests
	Edge Trigger Level (%)	Select the edge trigger level, in percentage.	All tests
	Population Count	Specifies a limit to the amount of waveform data that is analyzed.	3.1.1.2, 3.1.1.3, 3.1.1.4, 3.1.1.5, 3.1.1.6, 3.1.1.7, 3.1.1.8
	Measurement Repetition (Count)	Specifies the number of measurement repetitions used to measure the average value in the Clock Jitter test (3.1.1.11). If the Required Population count is not received from the acquired waveform, the application will take that count from this field.	3.1.1.11

**Table 22: MHL Transmitter Clock and MHL Data measurements (cont.)**

Parameter type	Parameter	Description	Applies to ...
Vertical Setup	Probe Attenuation (X)	Select the appropriate attenuation factor for the probe.	All tests
	Diff Probe Vertical Position (Div)	Select the vertical position of the differential probe.	3.1.1.4, 3.1.1.5, 3.1.1.6, 3.1.1.7, 3.1.1.10, 3.1.1.11, 3.1.1.12
	Diff Probe Vertical Scale (mV/Div)	Select the vertical scale for the differential probe.	3.1.1.4, 3.1.1.5, 3.1.1.6, 3.1.1.7, 3.1.1.10, 3.1.1.11, 3.1.1.12
	CM Probe Vertical Position (Div)	Select the vertical position for the common mode probe.	3.1.1.4, 3.1.1.5, 3.1.1.6, 3.1.1.7, 3.1.1.10, 3.1.1.11, 3.1.1.12
	CM Probe Vertical Scale (mV/Div)	Select the vertical scale for the common mode probe.	3.1.1.4, 3.1.1.5, 3.1.1.6, 3.1.1.7, 3.1.1.10, 3.1.1.11, 3.1.1.12
	Vertical Position (Div)	Used in vertical setup to position the waveform. Sets the number of divisions of the signal. Adjusts the display of the graticule relative to the vertical acquisition window.	3.1.1.2, 3.1.1.3, 3.1.1.8
	Vertical Scale (mV/Div)	Used in vertical setup to position the waveform. Specifies the waveform vertical scale.	3.1.1.2, 3.1.1.3, 3.1.1.8
Ref Levels	Absolute	Use to manually set the reference levels.	All Tests
	Percentage	Use to set the reference levels as a percentage.	All tests
	Mid Level	A reference voltage level that defines when the waveform state transition occurs at a given threshold.	All tests
	Hysteresis	Used to prevent small amounts of noise in a waveform from producing multiple threshold crossings. Use when the rising and falling thresholds for a given reference voltage level are set to the same value.	All tests



**Table 22: MHL Transmitter Clock and MHL Data measurements (cont.)**

Parameter type	Parameter	Description	Applies to ...	
Clock Settings	PLL Model	Selects between Type 1 and Type 2 phase-locked loop.	3.1.1.11 and 3.1.1.12	
	Clock Recovery Method	<ul style="list-style-type: none"> <li>■ PLL-Custom BW</li> <li>■ Constant Clock-Mean</li> <li>■ Explicit Clock: (Applies to test 3.1.1.12 only) This method derives the reference clock from a channel other than the one upon which the measurement is defined.</li> </ul>	3.1.1.11 and 3.1.1.12	
		Clock Multiplier	Specifies the number of edges to be used in the measurement.	3.1.1.11 and 3.1.1.12
		Loop Band Width (MHz)	Sets the bandwidth of the clock recovery PLL.	3.1.1.11 and 3.1.1.12
	Clock Edge	Specifies whether the rising, falling, or both edges of the selected source should be considered in the measurement.	3.1.1.11 and 3.1.1.12	

**See Also**

- [Configure Tests \(see page 63\)](#)

## Measurement Parameter Descriptions (MHL Receiver)

View or change measurement parameters in the **Configuration** tab of the Setup panel. Measurement parameters are displayed for the test selected in the tree view section. Not all of the parameters listed apply to all tests.

**Table 23: MHL Receiver Sink and MHL Dongle measurements**

Parameter type	Parameter	Description	Applies to ...
Scope Setting	VTerm (V)	VTerm voltage of the fixture	All Tests
AWG Setting	Data Streams (MHz)	Data Stream of AWG Pattern	All Tests
	Diff Rise/Fall Time (ps)	Differential Rise/Fall Time of AWG Pattern	All Tests
	CM Rise/Fall Time (ps)	Common Mode Rise/Fall Time of AWG Pattern	All Tests
	Diff Swing Voltage (mV)	Differential Swing voltage of AWG Pattern	4.1.1.1, 4.1.1.3, 4.1.1.4, 5.1.1.1, 5.1.1.3 and 5.1.1.4
	CM Swing Voltage (mV)	Common Mode Swing voltage of AWG Pattern	4.1.1.1, 4.1.1.3, 4.1.1.4, 5.1.1.1, 5.1.1.3 and 5.1.1.5

**See Also**

- [Configure Tests \(see page 83\)](#)

## Map the My TekExpress Folder

Map the shared My TekExpress folder as X: (X drive) on all instruments used in test setup running Microsoft Windows Operating System. The My TekExpress folder has the shared name format <domain><user ID>My TekExpress. Or, if the instrument is not connected to a domain, then the share name format is <instrument name><user ID> My TekExpress. This shared folder is used to save the waveform files and is used during any other file transfer operations.

To map the My TekExpress folder on the instruments, follow these steps:

1. Open Windows Explorer.
2. From the Windows Explorer menu, click **Computer**.
3. In the menu bar, click **Map network drive**.
4. Select the Drive letter as **X:** (if there is any previous connection on X:, disconnect it first through **Tools > Disconnect Network drive** menu of Windows Explorer. Windows 7 users: if you do not see the Tools menu, press the **Alt** key).
5. In the Folder field, enter the remote My TekExpress folder path (for example, \\192.158.97.65\My TekExpress)
6. Click **Finish**.

To determine the IP address of the instrument where the My TekExpress folder exists, do the following:

1. On the instrument where the My TekExpress folder exists, click **Start** and select **Run**.
2. Type “cmd” and then press **Enter**.
3. At the command prompt, type “ipconfig” and then press **Enter**.



# Index

## A

- Acquire Status, 90
- Acquisition source
  - selecting live waveforms as, 62
  - selecting prerecorded waveforms as, 61
- Acquisitions, 56
- Activating the license, 5
- Advanced View, 53
- Algorithms, 149
  - Common-mode Output Swing Voltage-V\_CMSWING, 158
  - Common-mode Rise and Fall Times, 151
  - Differential Intra-Pair Skew-TSKEW\_DF, 160
  - Differential Output Swing Voltage-VDF\_SWING, 157
  - Differential Rise and Fall Times-TR\_DF, TF\_DF, 159
  - MHL Clock Duty Cycle 24-Bit or Packed Pixel Mode, 153
  - MHL Clock Jitter, 154
  - MHL Data Eye Diagram Parameters, 161
  - Single-Ended High Level Voltage, 161
  - Single-ended Low Level Voltages-VSE\_LOW, 155
- Analysis Status, 98
- Appending reports, 68
- Application controls, 14
- Application window, 14
- ApplicationStatus(), 142
- Auto Scroll, 98

## C

- CheckSessionSaved(), 147
- Clear Log, 90
- Clearing test results displayed, 99
- Client Proxy Object, 105
- Clock Settings, 183
- Command buttons, 14
- Commands
  - ApplicationStatus(), 141
  - CheckSessionSaved(), 147
  - Connect(), 120
  - Disconnect(), 148
  - GetAcquireParameter(), 127
  - GetAnalyzeParameter(), 127
  - GetCurrentStateInfo(), 141
  - GetDUTId(), 123
  - GetGeneralParameter(), 127
  - GetPassFailStatus(), 144
  - GetReportParameter(), 144
  - GetResultsValue(), 144
  - GetResultsValueForSubMeasurements(), 144
  - GetTimeOut(), 141
  - LockSession(), 121
  - Pixel Mode, 134
  - QueryStatus(), 141
  - RecallSession(), 147
  - Run(), 139
  - SaveSession(), 147
  - SaveSessionAs(), 147
  - selecting a channel, 110
  - SelectSuite(), 134
  - SelectTest(), 129
  - SendResponse(), 141
  - SetAcquireParameter(), 124
  - SetAnalyzeParameter(), 124
  - SetDUTId(), 123
  - SetGeneralParameter(), 124
  - SetTimeOut(), 141
  - setting Resolution, 135
  - setting Termination Source method, 137
  - setting Termination Voltage, 138

- SetVerboseMode(), 122
- Stop(), 139
- TransferImages(), 144
- TransferReport(), 144
- TransferWaveforms(), 144
- UnlockSession(), 148
- Commands List, 114
- Comments, 81
- Common-mode Output Swing Voltage-V\_CMSWING algorithm, 158
- Common-mode Rise and Fall Times algorithms, 151
- Compliance Mode, 83
- Compliance View, 81
- Configure button, 56
- Configuring tests, 63
- Connect(), 120
- Connected instruments
  - selecting, 63
  - viewing, 51
- Connection requirements, 71
- Conventions used in Help, 1

## D

- Default directory, 11
- Default test setup, 41
- Deselect All button, 82
- Device options, 53
- Differential Intra-Pair Skew-TSKEW\_DF algorithm, 160
- Differential Output Swing Voltage-VDF\_SWING algorithm, 157
- Differential Rise and Fall Times-TR\_DF, TF\_DF algorithms, 159
- Directories, 11
- Disconnect(), 148
- DUT settings, 27

- E**  
Edge Trigger Level, 56  
Email Notifications, 66  
Email Settings, 17  
Equipment setup, 48  
Exiting the application, 13
- F**  
File name extensions, 12  
Fixtures, 3  
Flowchart for Client  
    Programmatic Interface, 107
- G**  
GetAcquireParameter(), 127  
GetAnalyzeParameter(), 127  
GetCurrentStateInfo(), 143  
GetDutId(), 123  
GetGeneralParameter(), 127  
GetPassFailStatus(), 144  
GetReportParameter(), 145  
GetResultsValue(), 144  
GetResultsValueForSubMeasurements(), 144  
GetTimeOut(), 141  
Global settings, 83
- I**  
Installing the software, 5  
Instrument Control Settings, 18  
Instruments  
    searching for, 18  
    selecting, 63  
    viewing connected, 51  
Interface, 103  
Interface error codes, 140
- K**  
Keep On Top, 13
- L**  
License, 6  
License activation, 5  
Limits Editor, 83  
Live waveforms, 62
- LockSession(), 121  
Log View, 97
- M**  
Mapping My TekExpress  
    folder, 187  
Measurement parameters, 185  
Measurement settings, 64  
Menus, 14  
    Options, 15  
    Preferences, 91  
Message History, 90  
MHL Application Commands, 114  
MHL Clock Duty Cycle 24-Bit  
    or Packed Pixel Mode  
    algorithms, 153  
MHL Clock Jitter algorithm, 154  
MHL Data Eye Diagram  
    algorithms, 161  
Mode, 64  
    selecting, 83  
My TekExpress folder, 95  
    mapping, 187
- O**  
Options Menu, 15  
Oscilloscope setup, 149  
Oscilloscopes supported, 3  
Overview, 6
- P**  
Panels, 18  
    Reports, 37  
    Results, 37  
    Setup, 19  
    Status, 33  
Parameters, 183  
Pixel Mode, 53  
Pixel Mode test, 153  
Population Count, 56  
Pre-run check list, 87  
Preferences Menu, 37  
Prerecorded waveform files, 61  
Probe parameters, 185  
Probe setup illustration, 71  
Probes, 3
- Program example, 110  
Programmatic Interface, 103
- Q**  
QueryStatus(), 142
- R**  
Real Time Scope, 83  
RecallSession(), 147  
Record Length, 56  
Ref Levels, 183  
Related Documentation, 1  
Remote Proxy Object, 105  
Report Options, 68  
Report sections, 91  
Reports  
    appending, 68  
    naming, 68  
    viewing, 91  
Reports Panel, 37  
Resolution controls, 53  
Resolutions supported, 45  
Results Panel, 36  
    using, 91  
Run(), 139
- S**  
Sample Rate, 185  
SaveSession(), 147  
SaveSessionAs(), 147  
Saving Log files, 98  
Saving reports, 68  
Schematic button, 82  
Scope settings, 183  
Select All button, 56  
SelectSuite(), 134  
SelectTest(), 129  
SendResponse(), 143  
Server, 103  
Session files, 94  
Session folders, 101  
SetDutId(), 123  
SetGeneralParameter(), 124  
SetTimeOut(), 141  
Setup Panel, 27  
SetVerboseMode(), 122  
Show Detailed Log, 98

Signal Path Compensation (SPC), 89  
Single-Ended High Level Voltage algorithm, 178  
Single-Ended Low Level Voltages-VSE\_LOWalgorithm, 155  
Specifications, 6  
Status Panel, 33  
    using, 89  
Stop(), 139  
System requirements, 3

## T

Technical support, 2  
TekExpress, 6  
TekExpress Client, 103  
TekExpress Client requirements, 103  
TekExpress Server, 103  
Termination source, 81  
Test groups, 69  
Test limits, 64  
    changing, 63

Test parameters, 83  
Test Reports  
    selecting options, 68  
    viewing, 100  
Test results  
    viewing, 91  
Test Results Summary, 91  
Test selection buttons, 82  
Test setup files, 101  
Test setup overview, 53  
Test setups, 41  
    creating based on existing, 42  
    deleting, 43  
    recalling, 42  
    saving, 41  
Test Status, 89  
Tests  
    configuring, 83  
    selecting, 82  
    setting up, 69  
TestStand Client example, 114  
TransferImages(), 146  
TransferReport(), 145  
TransferWaveforms(), 146

## U

UnlockSession(), 148  
Untitled Session folder, 87  
User Comments  
    including in test reports, 68  
    viewing in reports, 100  
User Defined Mode, 83

## V

Version, 6  
Vertical Scale, 56  
Vertical Setup, 183  
View option, 81

## W

Waveforms  
    acquiring live, 62  
    using prerecorded, 61