

# 2260B Series

## Multi-Range Programmable DC Power Supplies

### Quick Start Guide

071305502 / August 2015



071305502

A Greater Measure of Confidence

**KEITHLEY**  
A Tektronix Company

# ERRATA

Please replace the “Accessories” section on page 11 through page 13 of the quick start guide with the following replacement:

## Accessories

Please check the contents before using the 2260B.

### 2260B-30/80 Accessories

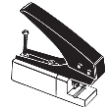
Standard Accessories	Part number	Description
	196353000	Test Leads x1 (10AWG, Max. 45A, Max.600V)
	174627900	USB Cable
	020312300	Basic Accessories Kit: (360W, 720W) M4 terminal screws and washers x2, M8 terminal bolts, nuts and washers x2, Air filter x1, Analog control protection dummy x1, Analog control lock lever x1, Output terminal cover (top & bottom)
	020316400	Basic Accessories Kit: (1080W) M4 terminal screws and washers x2, M8 terminal bolts, nuts and washers x2, Air filter x1, Analog control protection dummy x1, Analog control lock lever x1, Output terminal cover (top & bottom), Strain relief
	063453401	CD-R 2260B Manuals & Drivers
	071305502	Quick Start Guide
	PWRKI A*_	Power cord
	071305700	China RoHS Declaration
	001163200	Calibration of Traceable Certificate

001163300 Packing Check List

Optional Accessories	Part number	Description
----------------------	-------------	-------------

2260-001	Accessory Kit: Pin contact x10, Socket x1, Protection cover x1
----------	---

2260-002	Simple IDC Tool
----------	-----------------



2260-003	Contact Removal Tool
----------	----------------------



2260-004	Basic Accessory Kit: M4 terminal screws and washers x2, M8 terminal bolts, nuts and washers x2, Air filter x1, Analog control protection dummy x1, Analog control lock lever x1, Output terminal cover (top & bottom), Strain relief
----------	---

2260-005	Cable for 2 units in Series connection.
----------	---

2260-006	Cable for 2 units in Parallel connection.
----------	---

2260-007	Cable for 3 units in Parallel connection.
----------	---

2260-008	Test Lead Set with Lugs
----------	-------------------------

2260B-EXTERM	Extended terminal
--------------	-------------------

2260B-RMK-JIS	Rack mount adapter (JIS)
---------------	--------------------------

2260B-RMK-EIA	Rack mount adapter (EIA)
---------------	--------------------------

2260B-GPIB-USB	GPIB to USB adapter
----------------	---------------------

Download	Name	Description
----------	------	-------------

	keithley_2260B.inf	USB driver
--	--------------------	------------

## 2260B-250/800 Accessories

Standard Accessories	Part number	Description
	196353900	Test Leads x1 (20AWG, Max. 9A, Max. 3kV)
	174627900	USB Cable
	020315700	Basic Accessories Kit: (360W, 720W) Air filter x1, Analog control protection dummy x1, Analog control lock lever x1, Output terminal cover (top & bottom), High voltage output terminal
	020316500	Basic Accessories Kit: (1080W) Air filter x1, Analog control protection dummy x1, Analog control lock lever x1, Output terminal cover (top & bottom), High voltage output terminal, Strain relief
	063453401	CD-R 2260B Manuals & Drivers
	071305502	Quick Start Guide
	PWRKI A*_	Power cord
	071305700	China RoHS Declaration
	001163200	Calibration of Traceable Certificate
	001163300	Packing Check List

Optional Accessories	Part number	Description
	2260-001	Accessory Kit: Pin contact x10, Socket x1, Protection cover x1
	2260-002	Simple IDC Tool 
	2260-003	Contact Removal Tool 
	2260-005	Cable for 2 units in Series connection.
	2260-006	Parallel operation cable for 2 units.
	2260-007	Parallel operation cable for 3 units.
	2260-009	Test Leads (for High Voltage)
	2260-010	Basic Accessories Kit: Air filter x1, Analog control protection dummy x1, Analog control lock lever x1, Output terminal cover (top & bottom), High voltage output terminal, Strain relief
	2260B-EXTERM-HV	Extended terminal (For 250V/800V HV models)
	2260B-RMK-JIS	Rack mount adapter (JIS)
	2260B-RMK-EIA	Rack mount adapter (EIA)
	2260B-GPIB-USB	GPIB to USB adapter

Download	Name	Description
	keithley_2260B.inf	USB driver

# Series 2260B

Multi-Range Programmable DC Power Supplies

---

## QUICK START GUIDE



ISO-9001 CERTIFIED MANUFACTURER

This manual contains proprietary information, which is protected by copyright. All rights are reserved. No part of this manual may be photocopied, reproduced or translated to another language without prior written consent.

The information in this manual was correct at the time of printing. However, we continue to improve products and reserves the rights to change specification, equipment, and maintenance procedures at any time without notice.

# Table of Contents

**SAFETY INSTRUCTIONS ..... 4**

**GETTING STARTED ..... 8**

    2260B Series Overview ..... 8

    Appearance ..... 15

**OPERATION ..... 18**

    Set Up ..... 18

    Basic Operation ..... 19

**APPENDIX ..... 28**

    2260B Dimensions ..... 28



# SAFETY INSTRUCTIONS

This chapter contains important safety instructions that you must follow during operation and storage. Read the following before any operation to insure your safety and to keep the instrument in the best possible condition.

## Safety Symbols

These safety symbols may appear in this manual or on the instrument.

---



WARNING

Warning: Identifies conditions or practices that could result in injury or loss of life.



CAUTION

Caution: Identifies conditions or practices that could result in damage to the 2260B or to other properties.



DANGER High Voltage



Attention Refer to the Manual



Protective Conductor Terminal



Earth (ground) Terminal



Do not dispose electronic equipment as unsorted municipal waste. Please use a separate collection facility or contact the supplier from which this instrument was purchased.

## Safety Guidelines

---

### General Guideline



#### CAUTION

- Do not place any heavy object on the 2260B.
- Avoid severe impact or rough handling that leads to damaging the 2260B.
- Do not discharge static electricity to the 2260B.
- Use only mating connectors, not bare wires, for the terminals.
- Do not block the cooling fan opening.
- Do not disassemble the 2260B unless you are qualified.

(Measurement categories) EN 61010-1:2010 and EN 61010-2-030 specify the measurement categories and their requirements as follows. The 2260B falls under category II.

- Measurement category IV is for measurement performed at the source of low-voltage installation.
- Measurement category III is for measurement performed in the building installation.
- Measurement category II is for measurement performed on the circuits directly connected to the low voltage installation.
- 0 is for measurements performed on circuits not directly connected to Mains.

---

### Power Supply



#### WARNING

- To avoid electrical shock connect the protective grounding conductor of the AC power cord to an earth ground.

---

### Cleaning the 2260B

- Disconnect the power cord before cleaning.
  - Use a soft cloth dampened in a solution of mild detergent and water. Do not spray any liquid.
  - Do not use chemicals containing harsh material such as benzene, toluene, xylene, and acetone.
-

### Operation Environment

- Location: Indoor, no direct sunlight, dust free, almost non-conductive pollution (Note below)
- Relative Humidity: 20%~ 85%
- Altitude: < 2000m
- Temperature: 0°C to 50°C

(Pollution Degree) EN 61010-1:2010 and EN 61010-2-030 specify the pollution degrees and their requirements as follows. The 2260B falls under degree 2.

Pollution refers to “addition of foreign matter, solid, liquid, or gaseous (ionized gases), that may produce a reduction of dielectric strength or surface resistivity”.

- Pollution degree 1: No pollution or only dry, non-conductive pollution occurs. The pollution has no influence.
- Pollution degree 2: Normally only non-conductive pollution occurs. Occasionally, however, a temporary conductivity caused by condensation must be expected.
- Pollution degree 3: Conductive pollution occurs, or dry, non-conductive pollution occurs which becomes conductive due to condensation which is expected. In such conditions, equipment is normally protected against exposure to direct sunlight, precipitation, and full wind pressure, but neither temperature nor humidity is controlled.

---

### Storage environment

- Location: Indoor
- Temperature: -25°C to 70°C
- Relative Humidity: <90%, no condensation

---

### Disposal



Do not dispose this instrument as unsorted municipal waste. Please use a separate collection facility or contact the supplier from which this instrument was purchased. Please make sure discarded electrical waste is properly recycled to reduce environmental impact.

### Power cord for the United Kingdom

When using the power supply in the United Kingdom, make sure the power cord meets the following safety instructions.

---

NOTE: This lead/appliance must only be wired by competent persons




**WARNING: THIS APPLIANCE MUST BE EARTHED**

IMPORTANT: The wires in this lead are coloured in accordance with the following code:

Green/ Yellow:	Earth
Blue:	Neutral
Brown:	Live (Phase)



As the colours of the wires in main leads may not correspond with the coloured marking identified in your plug/appliance, proceed as follows:

The wire which is coloured Green & Yellow must be connected to the Earth terminal marked with either the letter E, the earth symbol  or coloured Green/Green & Yellow.

The wire which is coloured Blue must be connected to the terminal which is marked with the letter N or coloured Blue or Black.

The wire which is coloured Brown must be connected to the terminal marked with the letter L or P or coloured Brown or Red.

If in doubt, consult the instructions provided with the equipment or contact the supplier.

This cable/appliance should be protected by a suitably rated and approved HBC mains fuse: refer to the rating information on the equipment and/or user instructions for details. As a guide, a cable of 0.75mm<sup>2</sup> should be protected by a 3A or 5A fuse. Larger conductors would normally require 13A types, depending on the connection method used.

Any exposed wiring from a cable, plug or connection that is engaged in a live socket is extremely hazardous. If a cable or plug is deemed hazardous, turn off the mains power and remove the cable, any fuses and fuse assemblies. All hazardous wiring must be immediately destroyed and replaced in accordance to the above standard.

# GETTING STARTED

This chapter describes the power supply in a nutshell, including its main features and front / rear panel introduction. After going through the overview, please read the theory of operation to become familiar with the operating modes, protection modes and other safety considerations.



## 2260B Series Overview

### Series lineup

The 2260B series consists of 12 models, divided into 3 different model types covering 3 power capacities: 360W models, 720W models and 1080W models.



Note

Throughout the user manual, 2260B-30, 2260B-80, 2260B-250 or 2260B-800 will refer to any of the 2260B models with a maximum voltage rating of 30V, 80V, 250V or 800V, respectively.

Model name	Type	Voltage Rating	Current Rating	Power
2260B-30-36	360W models	0~30V	0~36A	360W
2260B-80-13	360W models	0~80V	0~13.5A	360W
2260B-250-4	360W models	0~250V	0~4.5A	360W
2260B-800-1	360W models	0~800V	0~1.44A	360W
2260B-30-72	720W models	0~30V	0~72A	720W
2260B-80-27	720W models	0~80V	0~27A	720W
2260B-250-9	720W models	0~250V	0~9A	720W
2260B-800-2	720W models	0~800V	0~2.88A	720W
2260B-30-108	1080W models	0~30V	0~108A	1080W
2260B-80-40	1080W models	0~80V	0~40.5A	1080W
2260B-250-13	1080W models	0~250V	0~13.5A	1080W
2260B-800-4	1080W models	0~800V	0~4.32A	1080W

Apart from the differences in output, each unit differs in size. The 720W and 1080W models are larger than the 360W models to accommodate the increase in power.

360 W models



720 W models



1080 W models



### Main Features

---

- |             |   |
|-------------|---|
| Performance | <ul style="list-style-type: none"><li>• High performance/power</li><li>• Power efficient switching type power supply</li><li>• Low impact on load devices</li><li>• Fast transient recovery time of 1ms</li><li>• Fast output response time</li></ul>   |
| Features    | <ul style="list-style-type: none"><li>• OVP, OCP and OTP protection</li><li>• Adjustable voltage and current slew rates</li><li>• User adjustable bleeder control to quickly dissipate the power after shutdown to safe levels.</li><li>• Extensive remote monitoring and control options</li><li>• Support for series* and parallel connections.<br/>*(30, 80 volt models only)</li><li>• Power on configuration settings.</li><li>• Supports test scripts</li><li>• Web server monitoring and control</li></ul> |
| Interface   | <ul style="list-style-type: none"><li>• Ethernet port</li><li>• Analog connector for analog voltage and current monitoring</li><li>• USB host and device port</li></ul>   |

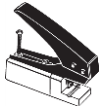

## Accessories

Please check the contents before using the 2260B.

### 2260B-30/80 Accessories

Standard Accessories	Part number	Description
	196353000	Test Leads x1 (10AWG, Max. 45A, Max.600V)
	174627900	USB Cable
	020312300	Basic Accessories Kit:(360W, 720W) M4 terminal screws and washers x2, M8 terminal bolts, nuts and washers x2, Air filter x1, Analog control protection dummy x1, Analog control lock lever x1, Output terminal cover (top & bottom)
	020316400	Basic Accessories Kit:(1080W) M4 terminal screws and washers x2, M8 terminal bolts, nuts and washers x2, Air filter x1, Analog control protection dummy x1, Analog control lock lever x1, Output terminal cover (top & bottom), Strain relief
	063453401	CD-R 2260B Manuals & Drivers
	071305502	Quick Start Guide
	PWRKI A*_	Power cord
	071305700	China RoHS Declaration
	001163200	Calibration of Traceable Certificate
	001163300	Packing Check List

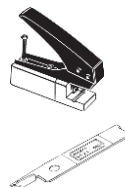


Optional Accessories	Part number	Description
	2260-001	Accessory Kit: Pin contact x10, Socket x1, Protection cover x1
	2260-002	Simple IDC Tool 
	2260-003	Contact Removal Tool 
	2260-004	Basic Accessory Kit: M4 terminal screws and washers x2, M8 terminal bolts, nuts and washers x2, Air filter x1, Analog control protection dummy x1, Analog control lock lever x1, Output terminal cover (top & bottom), Strain relief
	2260-005	Cable for 2 units in Series connection.
	2260-006	Cable for 2 units in Parallel connection.
	2260-007	Cable for 3 units in Parallel connection.
	2260-008	Test Lead Set with Lugs
	2260B-EXTERM	Extended terminal
	2260B-RMK-JIS	Rack mount adapter (JIS)
	2260B-RMK-EIA	Rack mount adapter (EIA)
	2260B-GPIB-USB	GPIB to USB adapter
Download	Name	Description
	keithley_2260B.inf	USB driver

## 2260B-250/800 Accessories

Standard Accessories	Part number	Description
	196353900	Test Leads x1 (20AWG, Max. 9A, Max. 3kV)
	174627900	USB Cable
	020315700	Basic Accessories Kit: (360W, 720W) Air filter x1, Analog control protection dummy x1, Analog control lock lever x1, Output terminal cover (top & bottom), High voltage output terminal
	020316500	Basic Accessories Kit: (1080W) Air filter x1, Analog control protection dummy x1, Analog control lock lever x1, Output terminal cover (top & bottom), High voltage output terminal, Strain relief
	063453401	CD-R 2260B Manuals & Drivers
	071305502	Quick Start Guide
	PWRKI A*_	Power cord
	071305700	China RoHS Declaration
	001163200	Calibration of Traceable Certificate
	001163300	Packing Check List

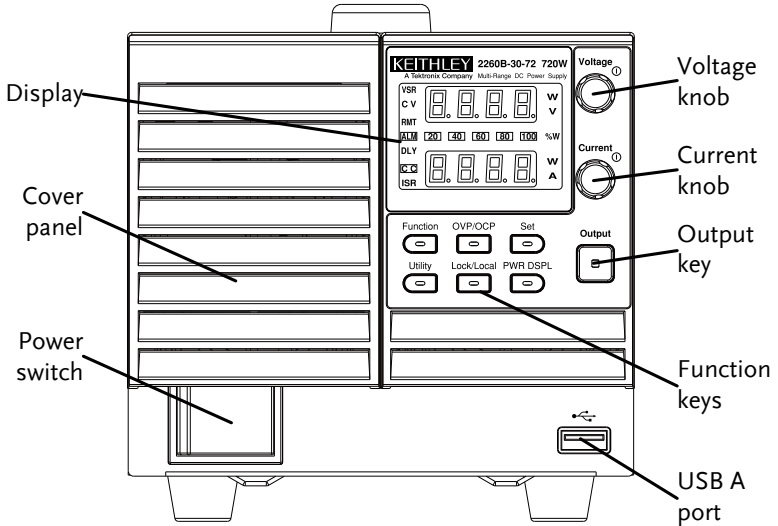
Optional Accessories	Part number	Description
	2260-001	Accessory Kit: Pin contact x10, Socket x1, Protection cover x1
	2260-002	Simple IDC Tool
	2260-003	Contact Removal Tool
	2260-005	Cable for 2 units in Series connection.
	2260-006	Parallel operation cable for 2 units.
	2260-007	Parallel operation cable for 3 units.
	2260-009	Test Leads (for High Voltage)
	2260-010	Basic Accessories Kit: Air filter x1, Analog control protection dummy x1, Analog control lock lever x1, Output terminal cover (top & bottom), High voltage output terminal, Strain relief
	2260B-EXTERM-HV	Extended terminal (For 250V/800V HV models)
	2260B-RMK-JIS	Rack mount adapter (JIS)
	2260B-RMK-EIA	Rack mount adapter (EIA)
	2260B-GPIB-USB	GPIB to USB adapter
Download	Name	Description
	keithley_2260B.inf	USB driver



# Appearance

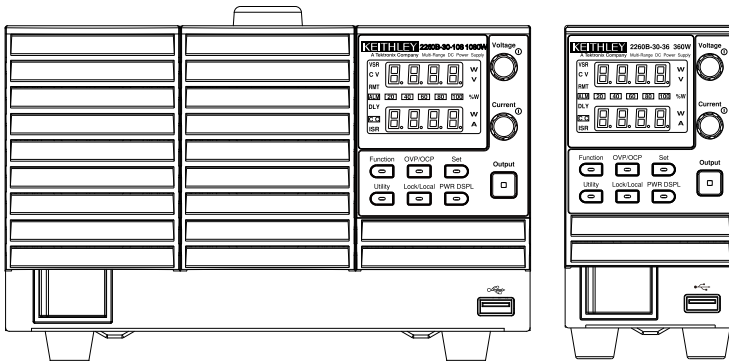
## 2260B Front Panel

720W: 2260B-30-72, 80-27, 250-9, 800-2



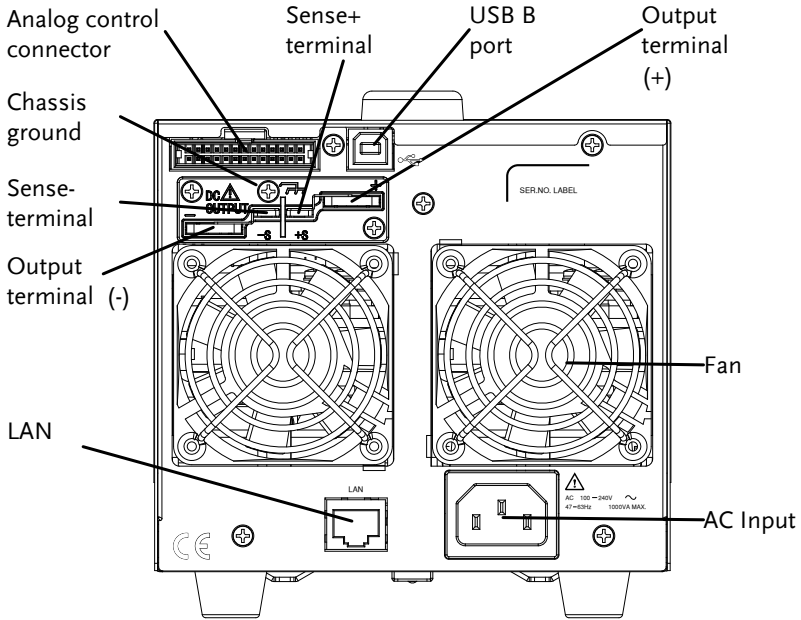
1080W: 2260B-30-108, 80-40, 250-13, 800-4

360W: 2260B-30-36, 80-13, 250-4, 800-1



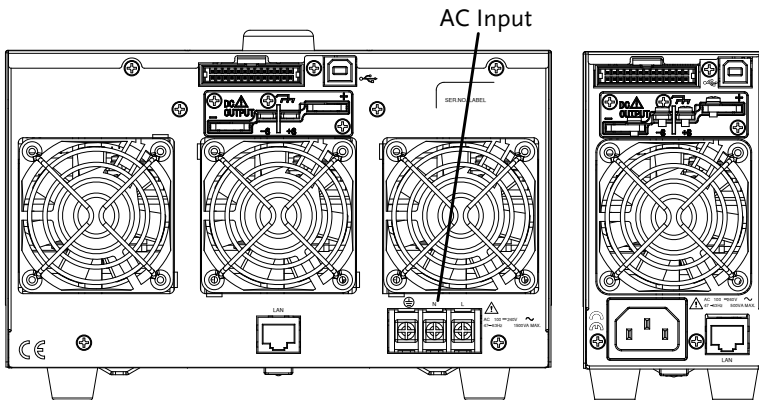
Rear Panel

720W: 2260B-30-72, 80-27

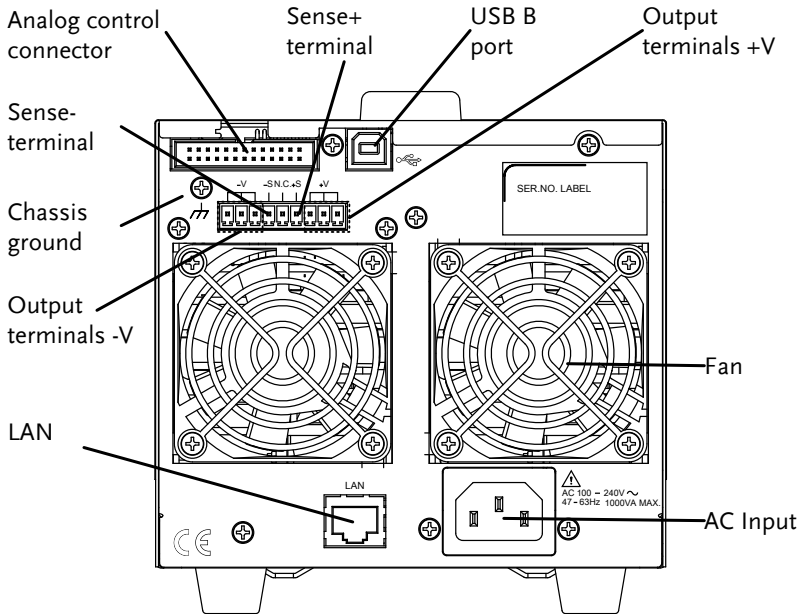


1080W: 2260B-30-108, 80-40

360W: 2260B-30-36, 80-13

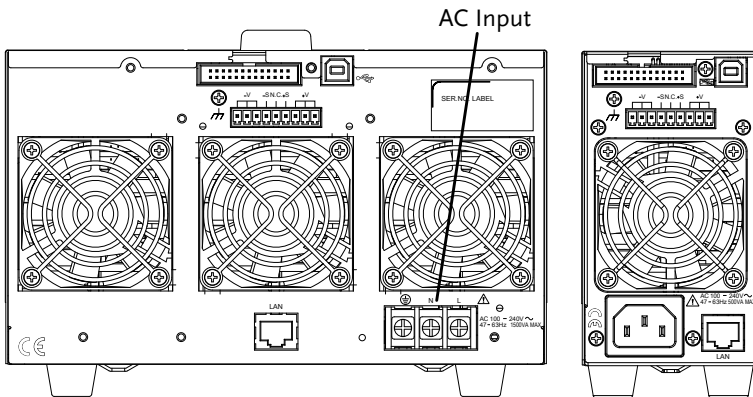


720W: 2260B-250-9, 800-2



1080W: 2260B-250-13, 800-4

360W: 2260B-250-4, 800-1



# OPERATION

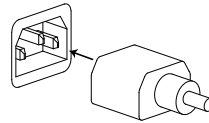
## Set Up

### Power Up

---

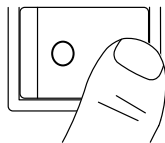
#### Steps

1. 360W or 720W models:  
Connect the power cord to the rear panel socket.



1080W models: Connect the power cord to the universal power input.

2. Press the POWER key. If used for the first time, the default settings will appear on the display, otherwise The 2260B recovers the state right before the power was last turned OFF.



#### CAUTION

The power supply takes around 8 seconds to fully turn on and shutdown.

Do not turn the power on and off quickly. Please wait for the display to fully turn off.

# Basic Operation

## Setting OVP/OCP Levels

### Background

For most models the OVP level has a selectable range of approximately\* 10% to 110% of the rated output voltage. Likewise the OCP level for most models has a selectable range of approximately\* 10%~ 110% of the rated output current. The OVP and OCP level is set to the maximum by default. The OCP level can also be turned off.

\*Note that the *actual* setting range differs for each model.

When one of the protection measures are on, ALM is shown on the panel display. By default, the power switch will turn off when any of the protection levels are tripped.



Before setting the OVP or OCP level:

- Ensure the load is not connected.
- Ensure the output is set to off.


### Setting Ranges

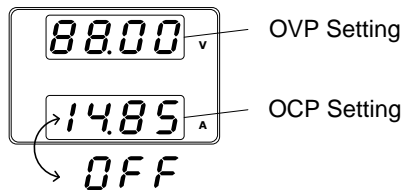
2260B (360W)	30-36	80-13	250-4	800-1
OVP Range (V)	3-33	8-88	20-275	20-880
OCP Range (A)	3.6-39.6	1.35-14.85	0.45-4.95	0.144-1.584
2260B (720W)	30-72	80-27	250-9	800-2



OVP Range (V)	3-33	8-88	20-275	20-880
OCP Range (A)	5-79.2	2.7-29.7	0.9-9.9	0.288-3.168
2260B (1080W)	30-108	80-40	250-13	800-4
OVP Range (V)	3-33	8-88	20-275	20-880
OCP Range (A)	5-118.8	4.05-44.55	1.35-14.85	0.432-4.752

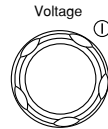
Steps

1. Press the OVP/OCP key. The OVP/OCP key lights up. 
2. The OVP setting will be displayed on the top and the OCP setting (or OFF) will be displayed on the bottom.



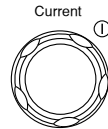
OVP Level


3. Use the Voltage knob to set the OVP level.



OCP Level

4. Use the Current knob to set the OCP level, or to turn OCP off.



5. Press OVP/OCP again to exit. The OVP/OCP indicator will turn off. 

Power switch trip

Set F-95 (Power switch trip) to 1 (to disable the power switch trip) or to 0 (to enable the power switch trip) and save.

F-95 1 (Disable) or 0 (Enable)

Clear OVP/OCP protection

The OVP or OCP protection can be cleared after it has been tripped by holding the OVP/OCP button for 2 seconds. (Only applicable when the power switch trip setting is disabled [F-95 = 1])



### Set to CV Mode

When setting the power supply to constant voltage mode, a current limit must also be set to determine the crossover point. When the current exceeds the crossover point, the mode switches to CC mode. CC and CV mode have two selectable slew rates: High Speed Priority and Slew Rate Priority. High Speed Priority will use the fastest slew rate for the instrument while Slew Rate Priority will use a user-configured slew rate.

Background

Before setting the power supply to CV mode, ensure:

- The output is off.
- The load is connected.

Steps

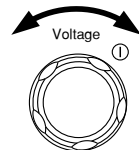
1. Press the Function key. The Function key will light up.



2. The display should show F-01 on the top and the configuration setting for F-01 on the bottom.



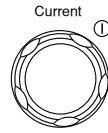
3. Rotate the Voltage knob to change the F setting to F-03 (V-I Mode Slew Rate Select).



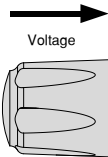
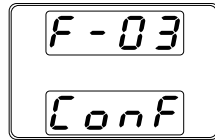
4. Use the Current knob to set the F-03 setting.

Set F-03 to 0 (CV High Speed Priority) or 2 (CV Slew Rate Priority).

F-03            0 = CV High Speed Priority  
                   2 = CV Slew Rate Priority



5. Press the Voltage knob to save the configuration setting. ConF will be displayed when successful.



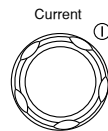
6. If CV Slew Rate Priority was chosen as the operating mode, repeat steps 3~5 to set F-04 (Rising Voltage Slew Rate) and the F-05 (Falling Voltage Slew Rate) and save.

F-04 / F-05   0.1V/s~60V/s (2260B-30-XX)  
                   0.1V/s~160V/s (2260B-80-XX)  
                   0.1V/s~500.0V/s (2260B-250-XX)  
                   1V/s~1600V/s (2260B-800-XX)

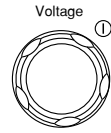
7. Press the Function key again to exit the configuration settings. The function key light will turn off.



8. Use the Current knob to set the current limit (crossover point).



9. Use the Voltage knob to set the voltage.



Notice the Set key becomes illuminated when setting the current or voltage. If the Voltage or Current knobs are unresponsive, press the Set key first.

10. Press the Output key. The Output key becomes illuminated.



CV and the Power Bar will become illuminated (top left & center)



Only the voltage level can be altered when the output is on. The current level can only be changed by pressing the Set key.

## Set to CC Mode

When setting the power supply to constant current mode, a voltage limit must also be set to determine the crossover point. When the voltage exceeds the crossover point, the mode switches to CV mode. CC and CV mode have two selectable slew rates: High Speed Priority and Slew Rate Priority. High Speed Priority will use the fastest slew rate for the instrument while Slew Rate Priority will use a user-configured slew rate.

**Background** Before setting the power supply to CC mode, ensure:

- The output is off.
- The load is connected.

### Steps

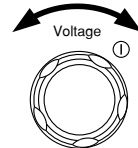
1. Press the Function key. The Function key will light up.



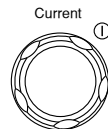
2. The display should show F-01 on the top and the configuration setting for F-01 on the bottom.



3. Rotate the Voltage knob to change the F setting to F-03 (V-I Mode Slew Rate Select).



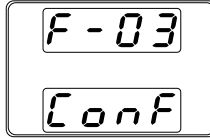
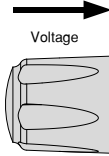
4. Use the Current knob to set the F-03 setting.



Set F-03 to 1 (CC High Speed Priority) or 3 (CC Slew Rate Priority) and save.

F-03      1 = CC High Speed Priority  
             3 = CC Slew Rate Priority

5. Press the Voltage knob to save the configuration setting. ConF will be displayed when successful.



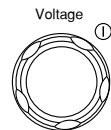
6. If CC Slew Rate Priority was chosen as the operating mode, set F-06 (Rising Current Slew Rate) and F-07 (Falling Current Slew Rate) and save.

F-06 / F-07 0.01A/s~72.00A/s (2260B-30-36)  
 0.1A/s~144.0A/s (2260B-30-72)  
 0.1A/s~216.0A/s (2260B-30-108)  
 0.01A/s~27.00A/s (2260B-80-13)  
 0.01A/s~54.00A/s (2260B-80-27)  
 0.01A/s~81.00A/s (2260B-80-40)  
 0.001A/s~9.000A/s (2260B-250-4)  
 0.01A/s~18.00A/s (2260B-250-9)  
 0.01A/s~27.00A/s (2260B-250-13)  
 0.001A/s~2.880A/s (2260B-800-1)  
 0.001A/s~5.760A/s (2260B-800-2)  
 0.001A/s~8.640A/s (2260B-800-4)

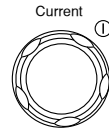
7. Press the Function key again to exit the configuration settings. The function key light will turn off.



8. Use the Voltage knob to set the voltage limit (crossover point).



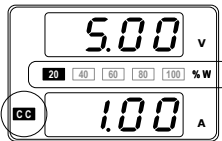
9. Use the Current knob to set the current.



Notice the Set key becomes illuminated when setting the current or voltage. If the Voltage or Current knobs are unresponsive, press the Set key first.

---

10. Press the Output key. The Output key becomes illuminated.



CC and the Power Bar will become illuminated (bottom left & center)

---




Only the current level can be altered when the output is on. The voltage level can only be changed by pressing the Set key.

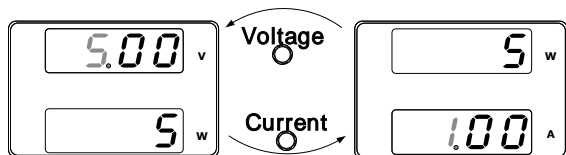
---

## Display Modes


The 2260B power supplies allow you to view the output in three different modes: voltage and current, voltage and power or current and power.

- |       |  |   |
|-------|--|---|
| Steps | <ol style="list-style-type: none"> <li>1. Press the PWR/DSPL key. The PWR DSPL key lights up.</li> <li>2. The display changes to voltage and power (V/W).</li> <li>3. To switch between displaying A/W and V/W, simply press the corresponding Voltage or Current knob.</li> </ol> | <p>PWR DSPL</p>  |
|-------|--|---|

For example: when in A/W mode, press the Voltage knob to display V/W. Conversely when in V/W mode, press the Current knob to display A/W.



- When V/W is displayed, the Voltage knob can still be used to change the voltage level.
- When A/W is displayed, the Current knob can still be used to change the current level.

- |      |   |   |
|------|---|---|
| Exit | <p>Press the PWR/DSPL key again to return to normal display mode. The PWR DSPL light will turn off.</p> | <p>PWR DSPL</p>  |
|------|---|---|

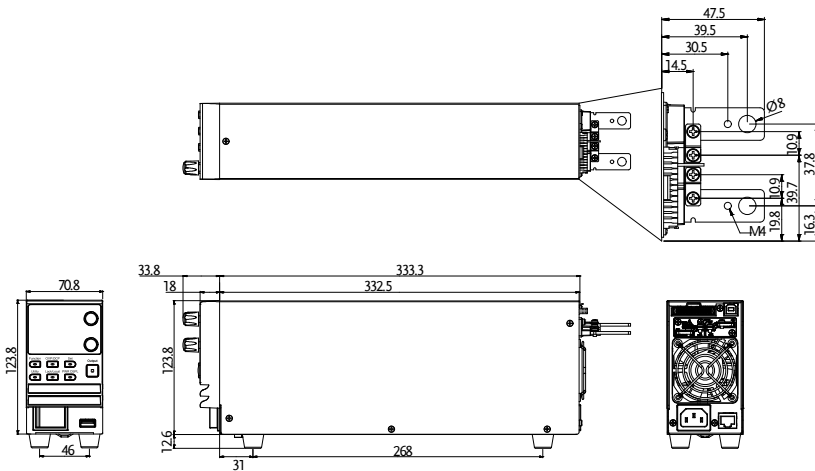


# APPENDIX

## 2260B Dimensions

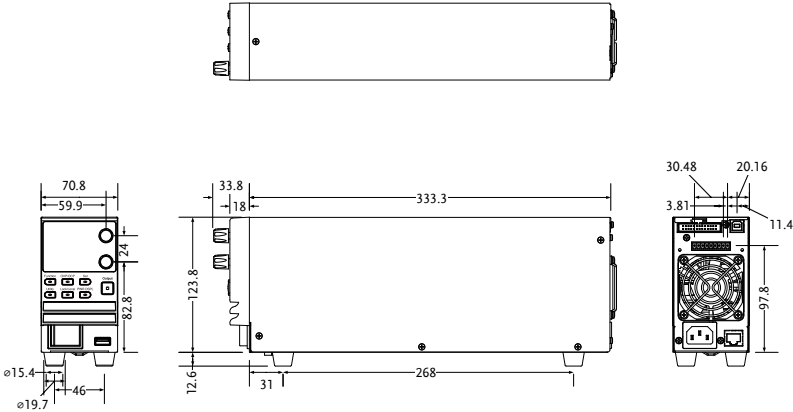
360W

2260B-80-13/2260B-30-36 (scale: mm)



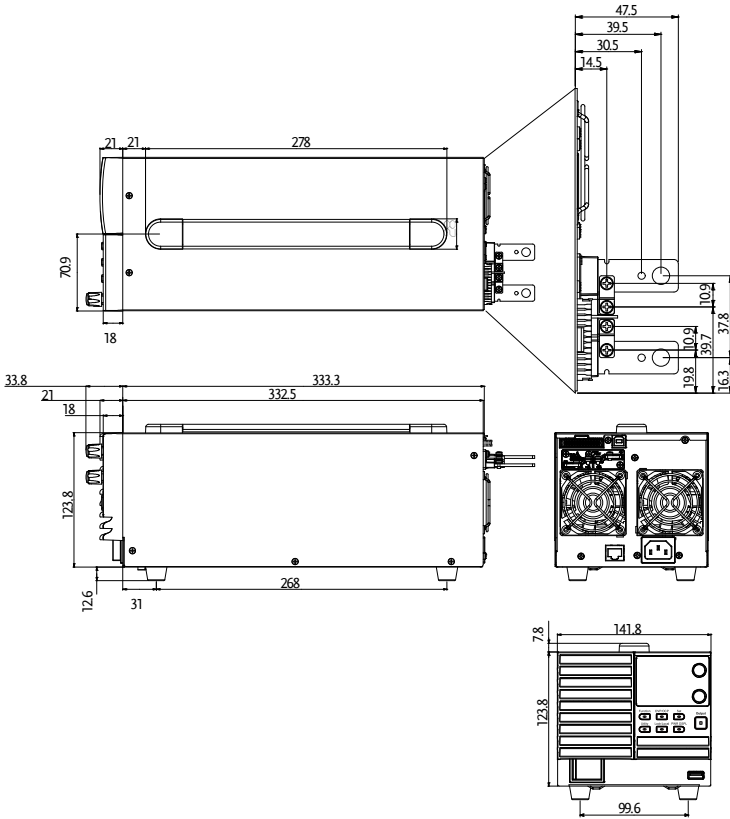
360W

2260B-250-4/2260B-800-1 (scale: mm)



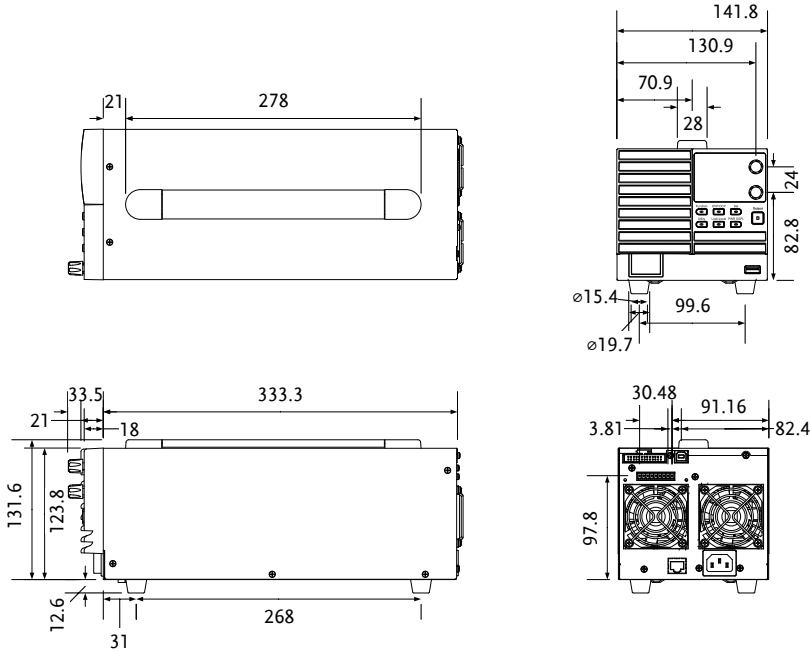
720W

2260B-80-27/2260B-30-72 (scale: mm)



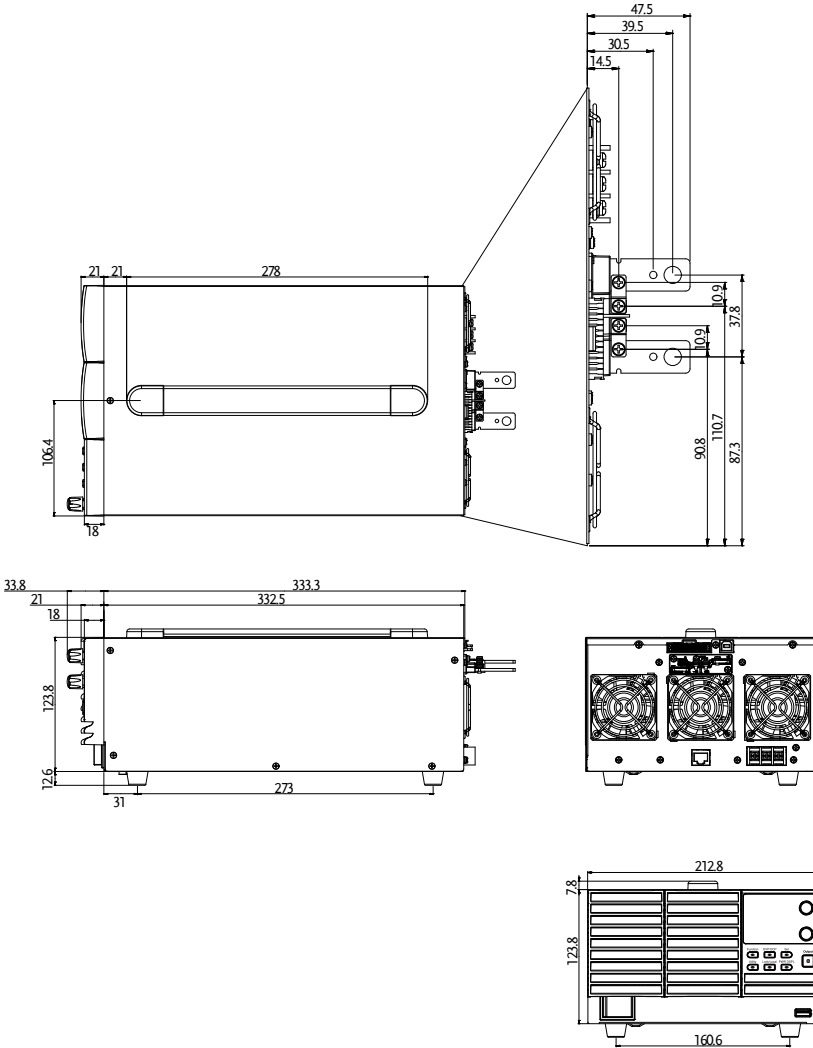
720W

2260B-250-9/2260B-800-2 (scale: mm)



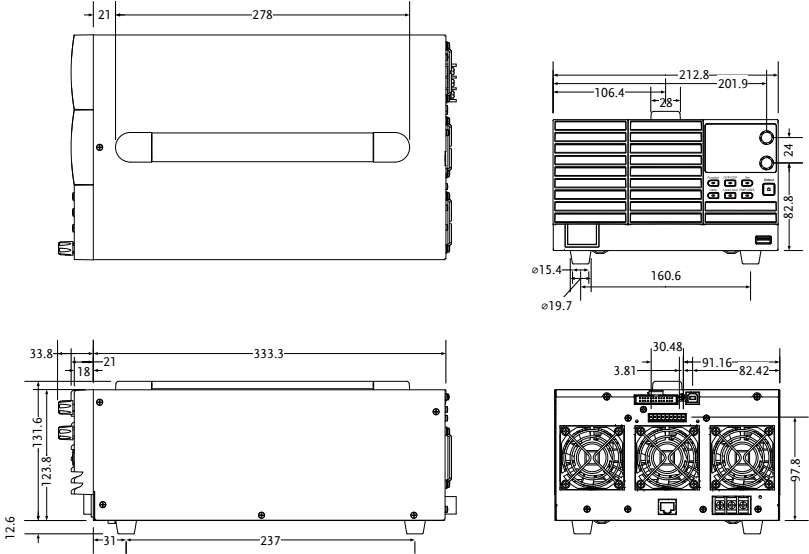
1080W

2260B-80-40/2260B-30-108 (scale: mm)



1080W

2260B-250-13/2260B-800-4 (scale: mm)



## Declaration of Conformity

We declare that the below mentioned product

**Type of Product: Multi-Range DC Power Supply**

**Model Number:** 2260B-30-36, 2260B-80-13, 2260B-30-72, 2260B-80-27, 2260B-30-108, 2260B-80-40, 2260B-250-4, 2260B-800-1, 2260B-250-9, 2260B-800-2, 2260B-250-13, 2260B-800-4

are herewith confirmed to comply with the requirements set out in the Council Directive on the Approximation of the Law of Member States relating to Electromagnetic Compatibility (2004/108/EC) and Low Voltage Directive (2006/95/EC).

For the evaluation regarding the Electromagnetic Compatibility and Low Voltage Directive, the following standards were applied:

⊙ EMC	
EN 61326-1: EN 61326-2-1:	Electrical equipment for measurement, control and laboratory use -- EMC requirements (2013)
Conducted & Radiated Emission EN 55011: 2009+A1:2010	Electrostatic Discharge EN 61000-4-2: 2009
Current Harmonics EN 61000-3-2: 2006+A1: 2009+A2: 2009	Radiated Immunity EN 61000-4-3: 2006+A1:2008+A2:2010
Voltage Fluctuations EN 61000-3-3: 2008	Electrical Fast Transients EN 61000-4-4: 2012
-----	Surge Immunity EN 61000-4-5: 2006
-----	Conducted Susceptibility EN 61000-4-6: 2009
-----	Power Frequency Magnetic Field EN 61000-4-8: 2010
-----	Voltage Dip/ Interruption EN 61000-4-11: 2004

Low Voltage Equipment Directive 2006/95/EC	
Safety Requirements	EN 61010-1: 2010 EN 61010-2-030: 2010

Specifications are subject to change without notice.  
All Keithley trademarks and trade names are the property of Keithley Instruments, Inc.  
All other trademarks and trade names are the property of their respective companies.

**Keithley Instruments, Inc.**

Corporate Headquarters • 28775 Aurora Road • Cleveland, Ohio 44139 • 440-248-0400 • Fax: 440-248-6168 • 1-888-KEITHLEY • [www.keithley.com](http://www.keithley.com)

---



A Greater Measure of Confidence